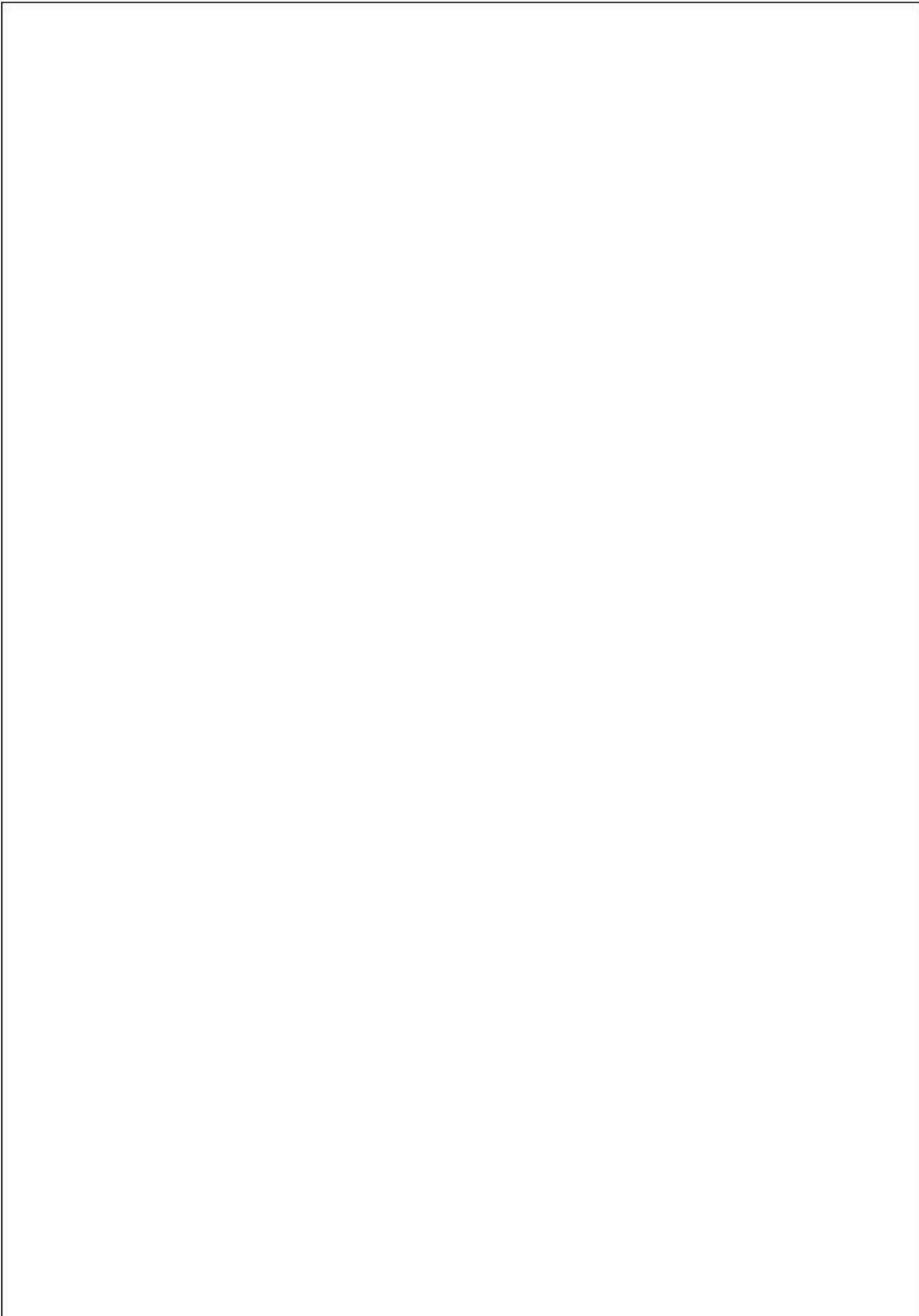


PARTS MANUAL
VOLTAS DIESEL FORKLIFT TRUCK
MODEL: DVX 5 TON FC
WITH TSJ436 SIMPSON ENGINE

ISO-9001-2000 CERTIFIED COMPANY



USER INFORMATION

To verify this manual is correct for this truck compare the model with the nameplate on the truck.

Refer to table of contents for nameplate location and information. If the model in this manual does not agree with the information on the nameplate contact your nearest VOLTAS OFFICE.

SPECIAL NOTE

This parts manual contains complete and accurate information available at the time of publication for the components and systems listed. VOLTAS reserves the right to make changes to its product at any time and the possibility exists that latter changes are not included in this manual. If your forklift truck is equipped with special options that are not covered in this parts manual, you should contact your local VOLTAS OFFICE for additional information.



EXPLANATION OF MODEL

D	V	X	5	FC	P	S
FUEL	MANUFACTURER	TYPE	CAPACITY	TRANSMISSION	TYRES	MAST

FUEL: **D** DIESEL

MANUFACTURER: **V** VOLTAS LIMITED

TYPE: **X** NEW SERIES

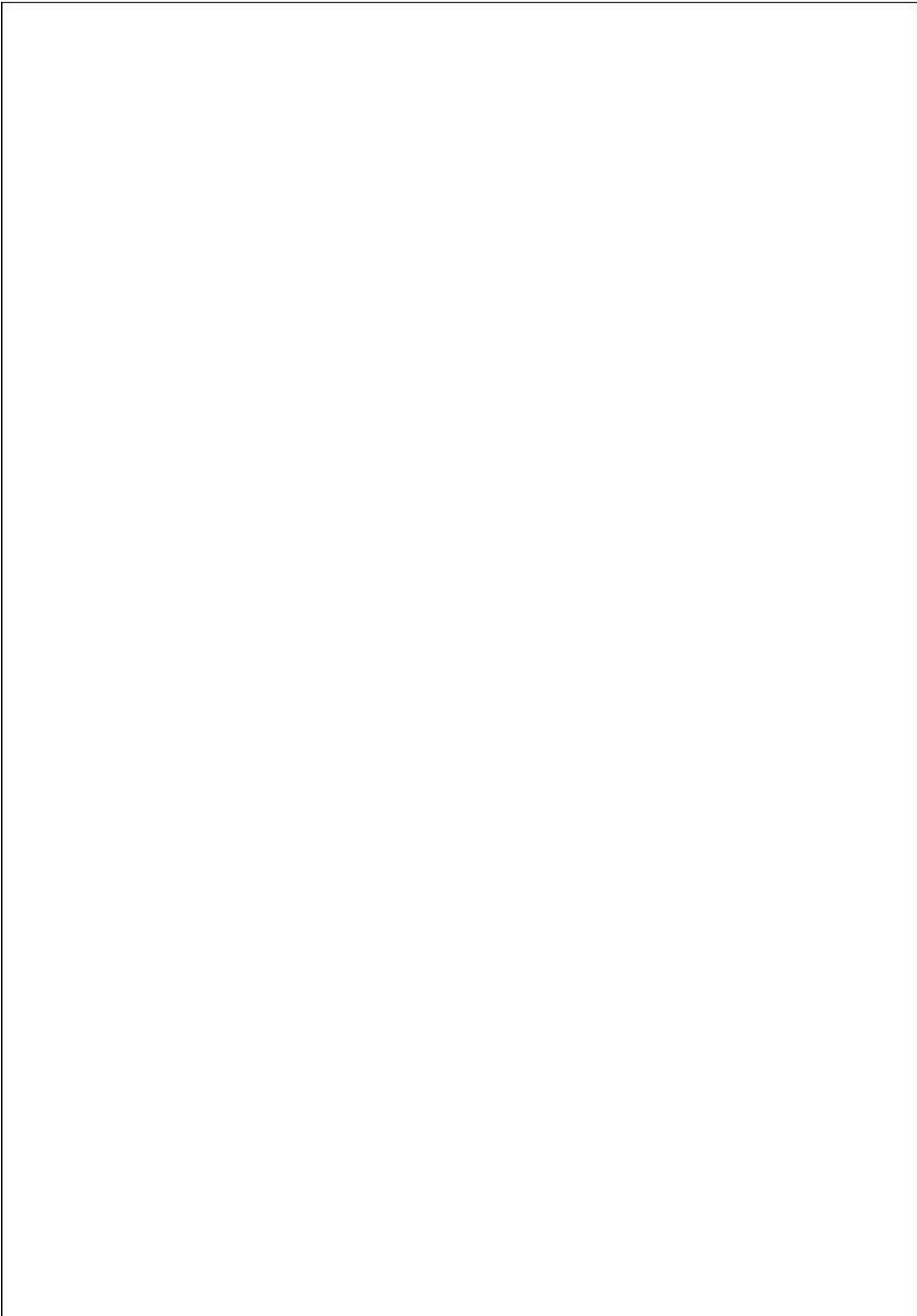
CAPACITY: **50** 5000 KG

TRANSMISSION: **FC** FLUID COUPLING
AT AUTOMATIC TRANSMISSION

TYRES: **P** PNEUMATIC
BC BEARCAT
PD PNEUMATIC DUAL
BCD BEARCAT DUAL

MAST: **S** SIMPLEX - HVM MAST
T TRIPLEX - HVT MAST
HI-LO SIMPLEX - HILO MAST

MAST-HEIGHT: **3660** HEIGHT IN mm

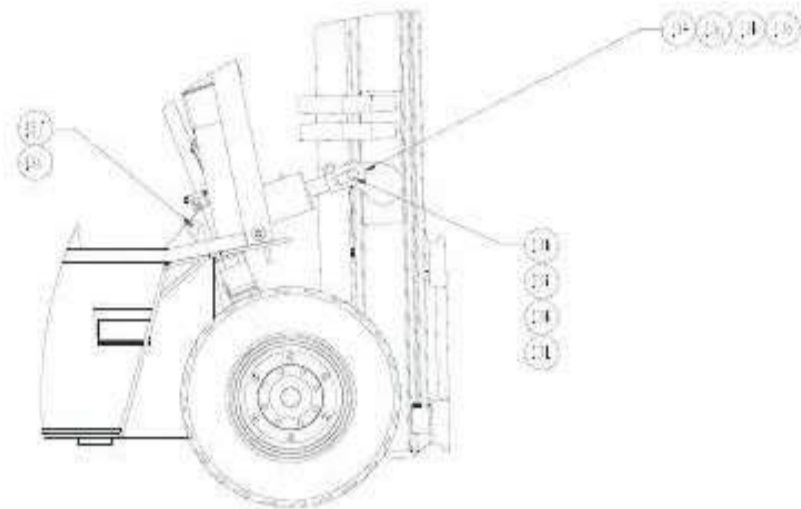


PARTS INFORMATION

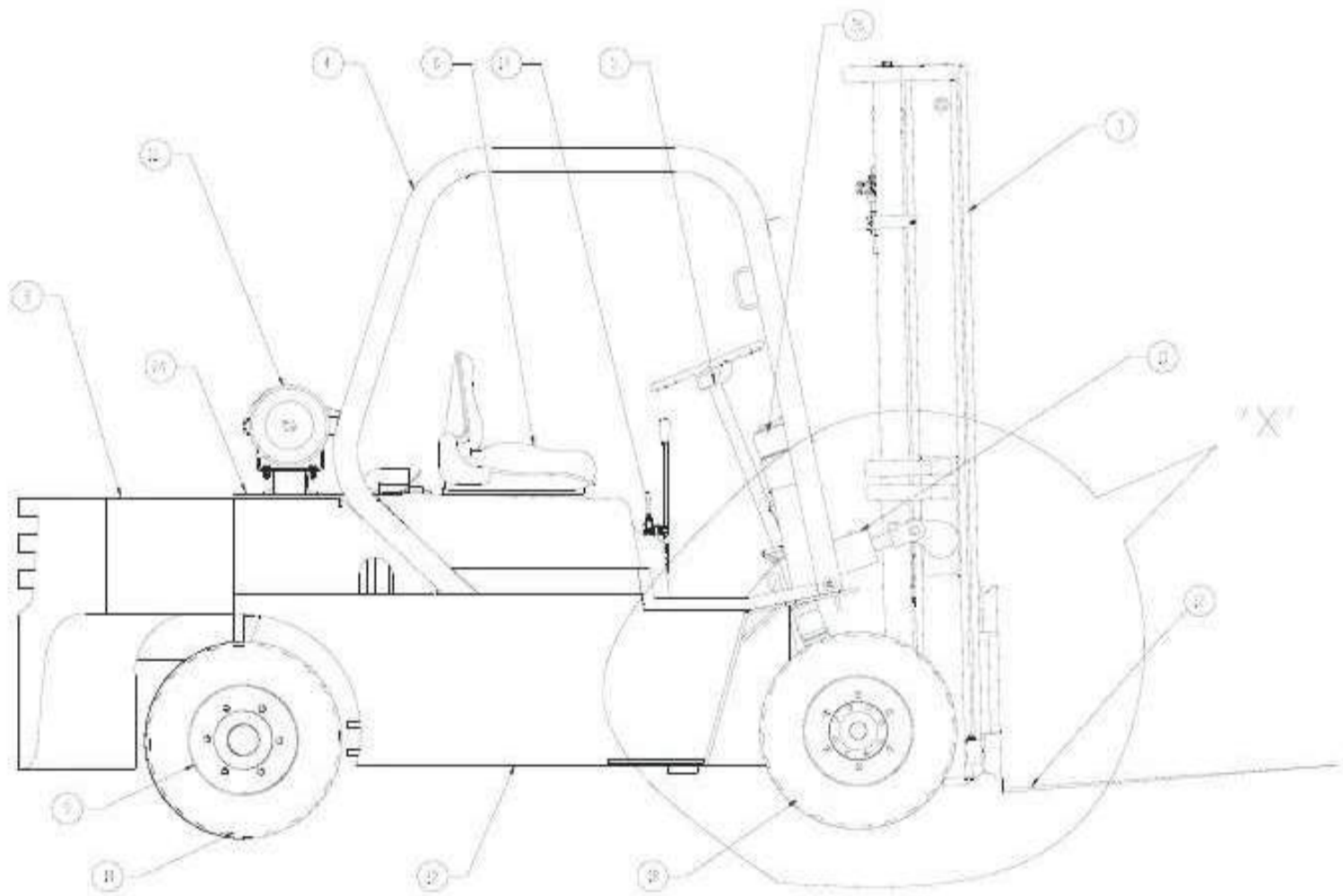
This Parts Manual contains complete and accurate parts replacement information available at the time of publication for the components and systems installed on a standard forklift truck and some commonly ordered options. However, Voltas reserves the right to make changes to its product at any time and the possibility exists that later changes are not included here. Please contact your local Voltas Offices if you need additional parts information

ATTACHMENT

If your forklift truck was ordered with special attachments that are not covered in this Standard Parts Manual, you should contact your local Voltas Offices for Attachment Part Manuals.



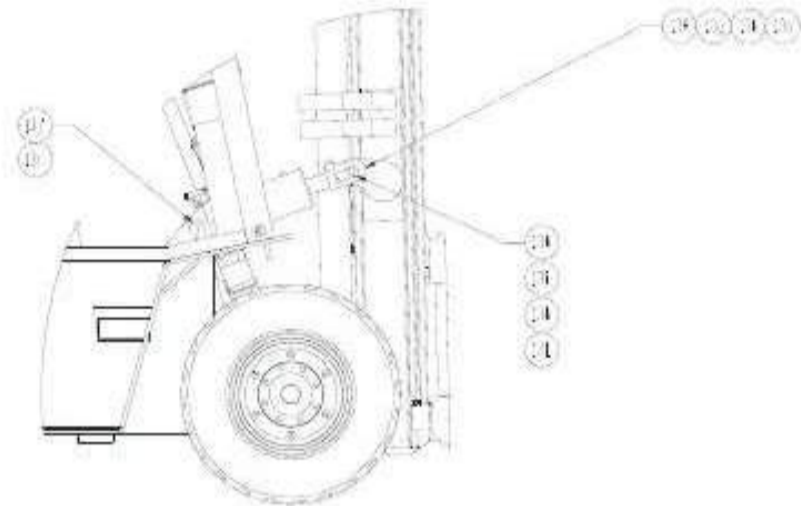
ENLARGIE 'X'



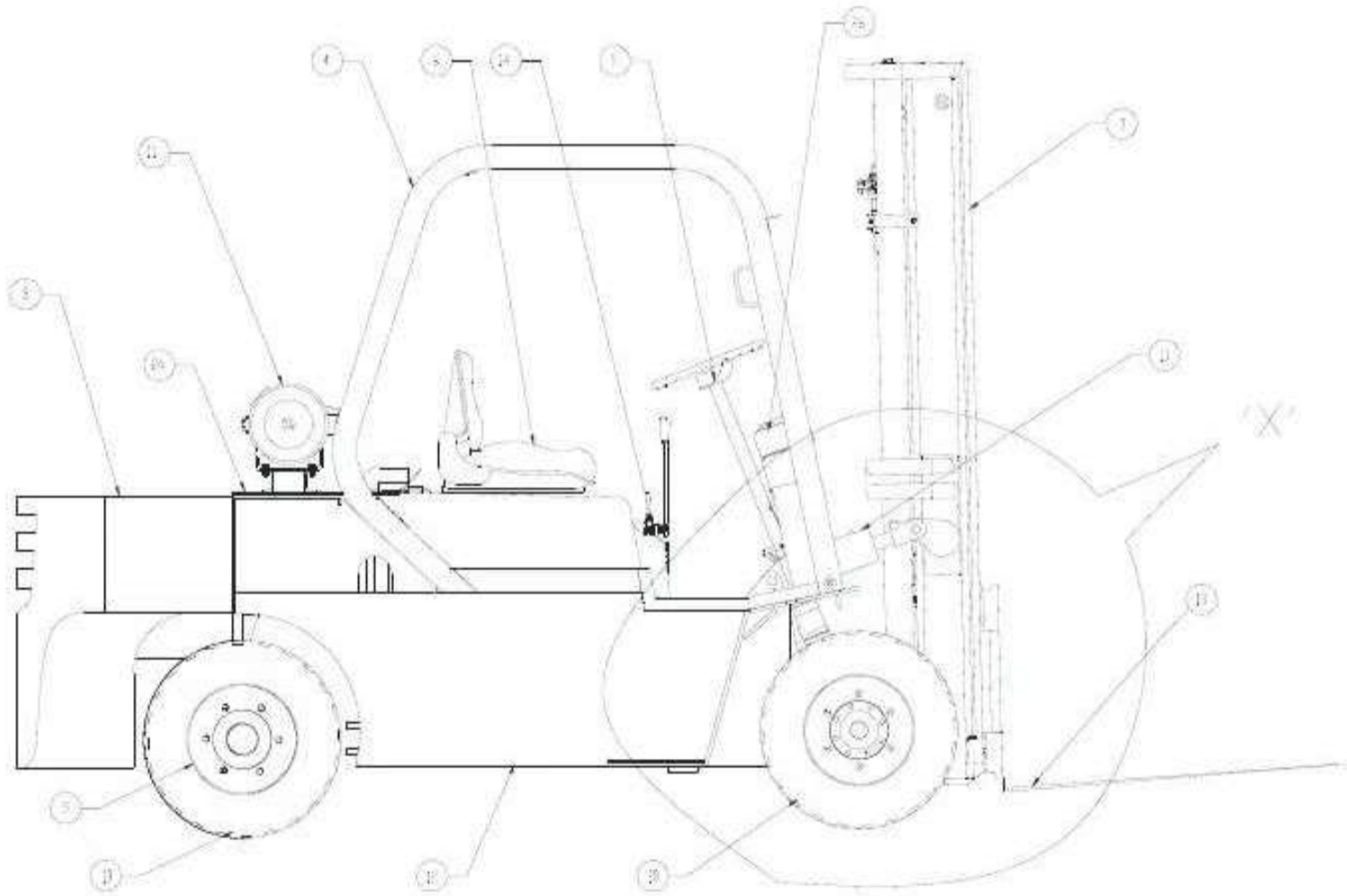
**GENERAL TRUCK
MH799500023**

**GENERAL TRUCK
MH799500023**

ITEM NO.	PART NO.	DESCRIPTION	QTY.	REMARKS
1	MH11135	FORK ASSLY.	2	
2	MH10498	LOAD BACK REST	1	
3	MH796619442	MAST ASSLY. (REFER PAGE)	1	
3a	MH18298	MAST TRUNNION BUSHING	4	
3b	MH512505100	LOCK PLATE	4	
4	MH796613011	CANOPY (HVM, HILO)	1	
	MH796613161	CANOPY (HVT, HILO)	1	
4a	MH992175389	HEX BOLT M12	2	
4b	MH992275417	HEX HD. SCREW M12x30	2	
4c	MH502382100	NUT M12	4	
4d	MH992781644	WASHER M12	8	
4e	MH992791545	SPRING WASHER M12	8	
5	MH796415029	STEERING WHEEL	1	
6	MH796412512	SEAT ASSY.	1	
7	MH40875	ENGINE HOOD	1	
8	MH796618011	COUNTER WEIGHT	1	
8a	MH796417029	HEX BOLT	2	
8b	MH870001204	WASHER	2	
9	MH13157	STEER AXLE ASSY.	1	
10	MH796616012	REAR TYRE ASSY	2	
10a	MH992791545	SPRING WASHER M12	10	
10b	MH785231105	DR.RIN INEER HALF	2	
10c	MH785231106	DR.RIM OUTER HALF	2	
10d	MH785295700	DR.RIM STUD	10	
10e	MH785765901	BEAR CAT TYRE 7.00x12	2	
10f	MH056663500	PD TYRE 7.00x12	-	
10g	MH056663600	TUBE	-	
10h	MH056663700	FLAP	-	
11	MH799524072	AIR CLEANER ASSEMBLY	1	
12	MH799501031	FRAME WELDMENT	1	
13	796614072	TILT CYL. GROUP.	1	
13a	MH509816101	PIN (MAST END)	2	
13b	504168100	PIN RETAINER	2	



ENLARGUE 'X'

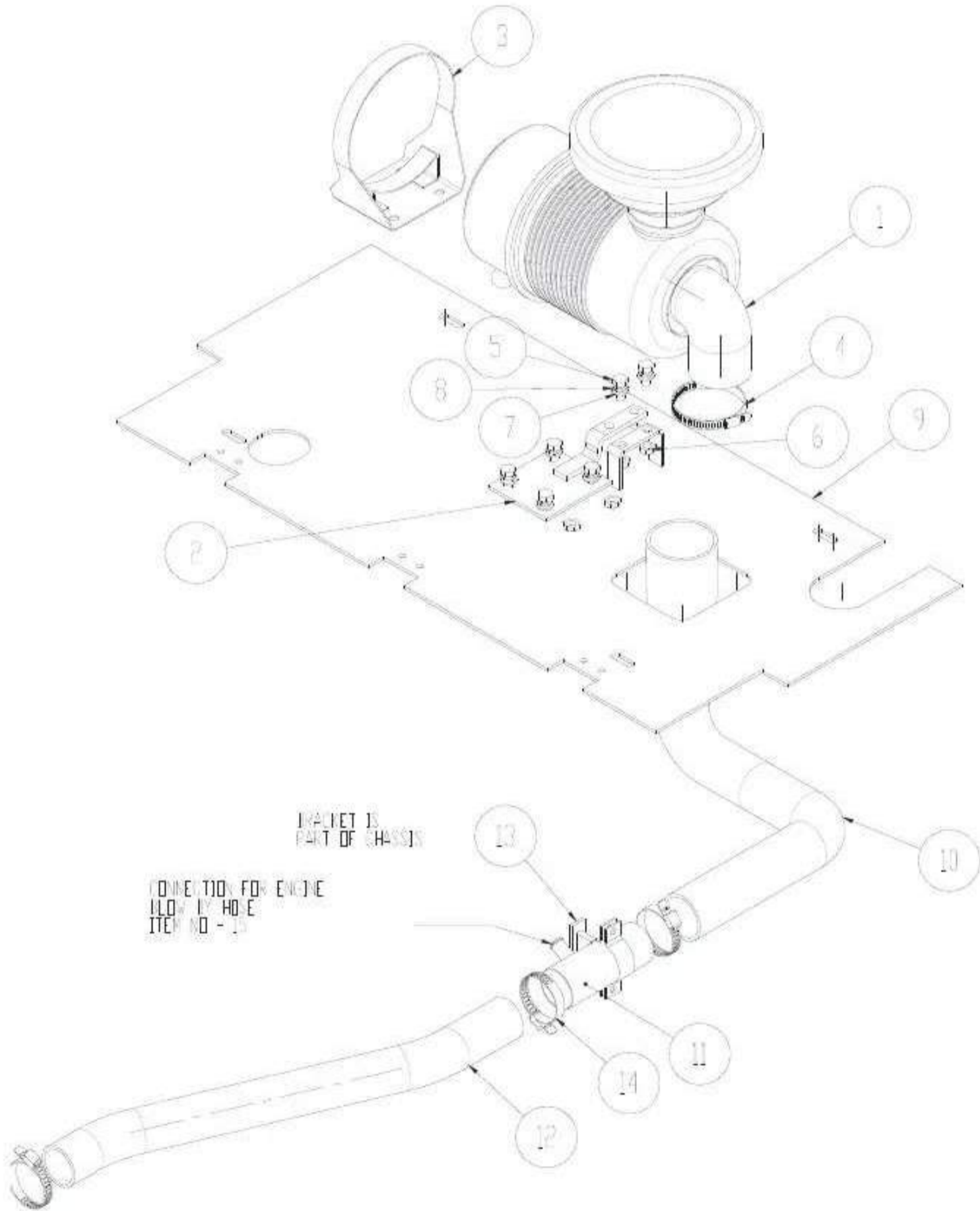


**GENERAL TRUCK
MH799500023**

**GENERAL TRUCK
MH799500023**

ITEM NO.	PART NO	DESCRIPTION	QTY	REMARKS
13c	MH17794	PIN (FRAME END)	2	
13d	MH40507	TILT CYL. ASSLY.R.H.	1	
13e	MH40507	TILT CYL. ASSLY.L.H.	1	
13f	MH055486700	HEX SCREW 3/8 x/	2	
13g	MH015026400	LOCK WASHER	2	
13h	MH014937500	HEX NUT 3/4 x10UNC	2	
13i	MH063894200	HEX SCREW 3/4x10UNC	2	
13j	MH501521100	BUSHING	2	
13k	MH501900300	ROD END	2	
13L	MH785324300	GREESE NIPPLE	2	
14	MH796606242	CONTROL V/V ASSLY. (REFER PAGE)	1	
19	MH796418023	HEAD AND TAIL LAMP	4	
20	MH799507103	RADIATOR	1	
21	MH40883	UPPER RADIATOR HOSE	1	
22	MH40883	LOWER RADIATOR HOSE	1	
23	MH44Z12D8	HOSE CLAMP	4	
24	MH799510052	RADIATOR COVER ASSEMBLY	1	
25	MH40997	ENGINE TSJ436 BSIII	1	
26	MH796418536	INTRUMENT PANEL ASSLY.(REFER PAGE)	1	

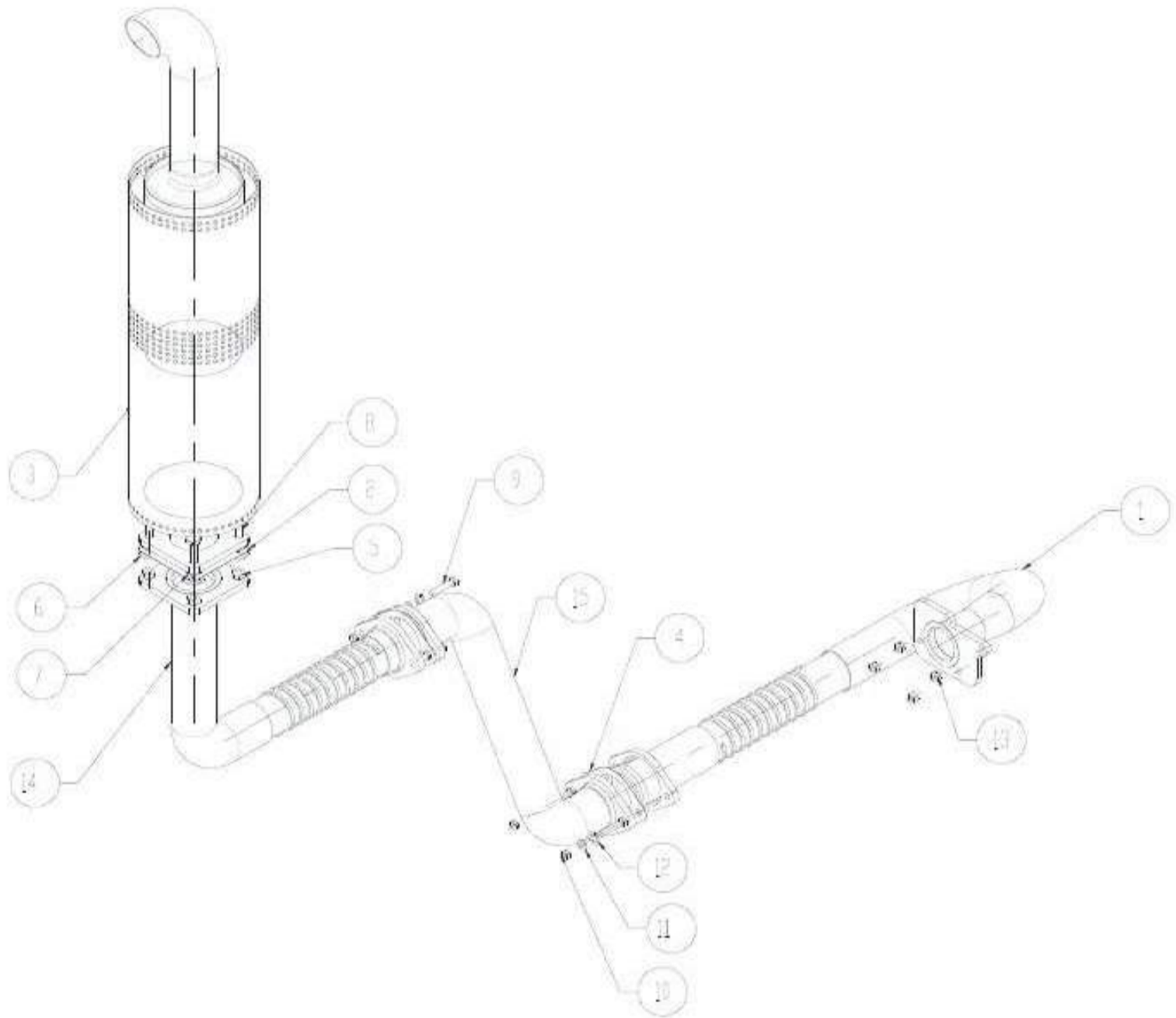
AIR CLEANER INSTALLATION MH799524072



**AIR CLEANER INSTALLATION
MH799524072**

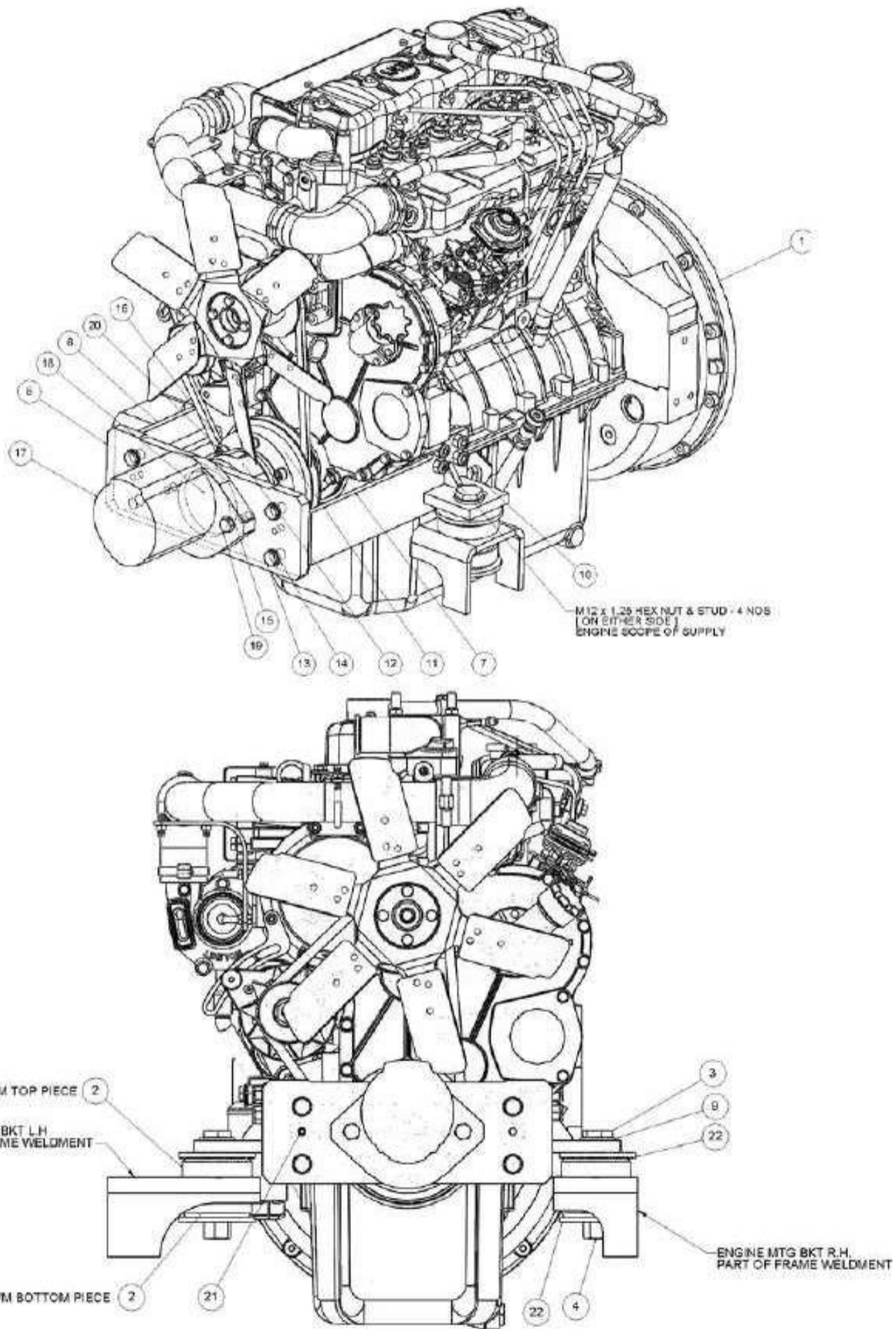
ITEM NO.	PART NO.	DESCRIPTION	QTY	REMARKS
1	MH-DE006318	AIR CLEANER	1	
2	MH796424013	AIR CLEANER MTG. BKT.	1	
3	MH798719113	AIR CLEANER MTG CLAMP	1	
4	MH44Z12D10	HOSE CLIP	1	
5	MH992271416	HEX. SCREW M12 x 25 - P-10.9	6	
6	MH992761015	HEX NUT	6	
7	MH992781644	M12 WASHER	6	
8	MH992791545	SPRING WASHER FOR M12	6	
9	MH799510052	RADIATOR TOP COVER	1	
10				
11	MH799524059 MH799524063	FLEXIBLE HOSE I.D 95 TO 65 mm AIR INTAKE PIPE	1 1	
12	MH799524043	FLEXIBLE HOSE I.D 65 mm	1	
13	MH798701963	EXHAUST PIPE CLAMP	1	
14	MH44Z12D9	HOSE CLIP	3	
15	MH798707154	ENGINE BLOW BY HOSE	1	

EXHAUST SYSTEM MH 799510012



**EXHAUST SYSTEM
MH 799510012**

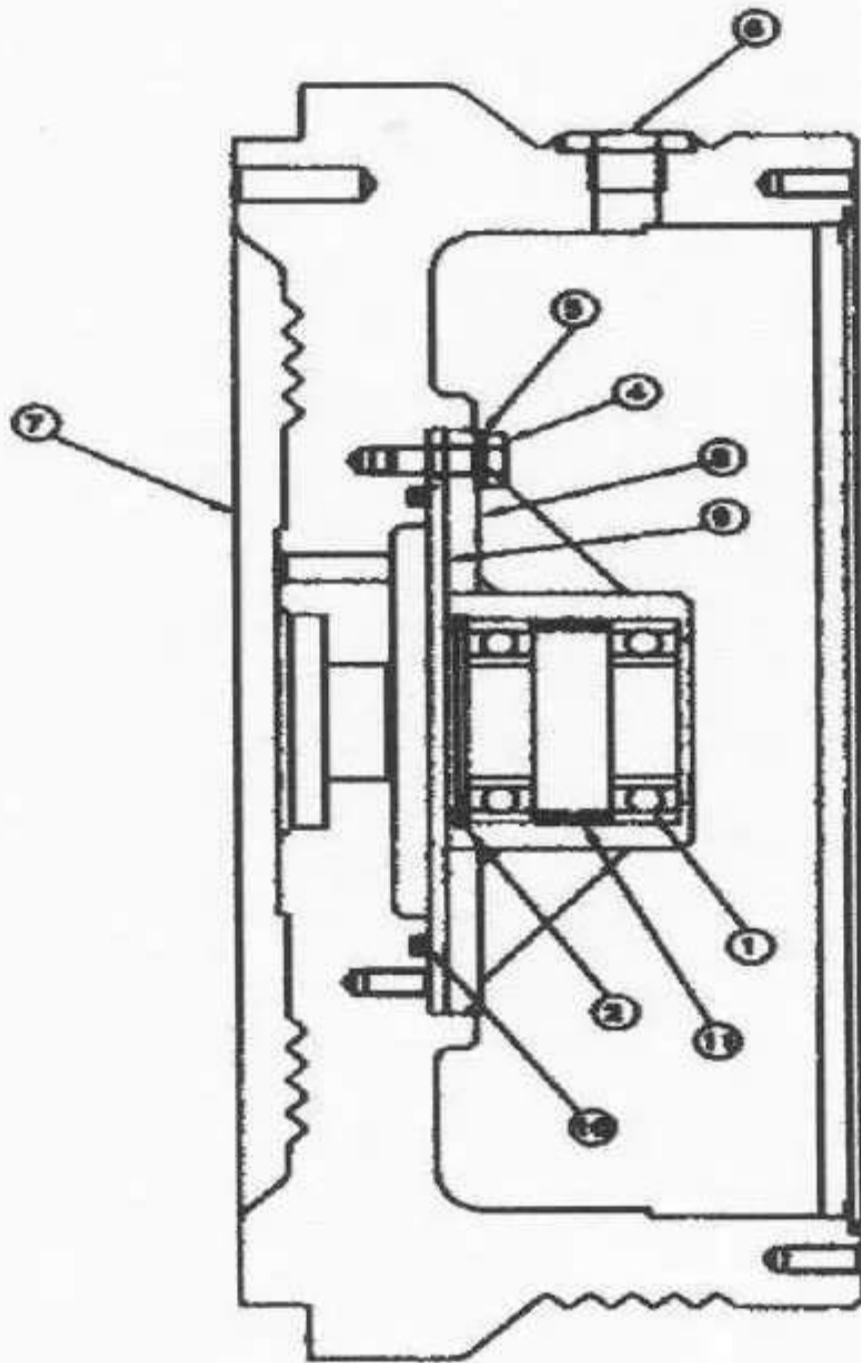
ITEM NO.	PART NO.	DESCRIPTION	QTY.	REMARKS
1.	MH798709062	EXHAUST PIPE WELD'T NO.1	1	
2.	MH798709104	GASKET FOR EXHAUST FLANGE	1	
3	MH798709091	EXHAUST MUFFLER	1	
4	MH17369	GASKET	2	
5	MH992761014	LOCK NUT M10	4	
6	MH992781654	SPRING WASHER	4	
7	MH992791535	SPRING WASHER M10	4	
8	MH992171216	HEX BOLT M10 x 40	4	
9	MH992171301	BOLT - M8 X 40	4	
10	MH992763013	NUT- M8	4	
11	MH992785624	PLAIN WASHER M8	4	
12	MH992791525	SPRING WASHER (M8)	4	
13	MH992761013	M8 NUT	4	
14	MH799510043	EXHAUST TAIL PIPE II	1	
15	MH799510063	EXHAUST TAIL PIPE-I	1	



INSTALLATION OF POWER UNIT

INSTALLATION OF POWER UNIT

ITEM NO.	PART NO.	DESCRIPTION	QTY.	REMARKS
1.	MH42484	TSJ436 SIMPSON ENGINE.	1	
2.	MH798707134	A.V. MTG ASSLY.	2	
3	MH992176666	HEX BOLT M22x2.5 -130	2	
4	MH992767120	M22 X 2.5 NYLOCK NUT	2	
5	-	-	-	
6	MH799507082	ENGINE MTG BKT - L.H	1	
7	MH799507092	ENGINE MTG BKT-R.H	1	
8	MH799507073	PUMP MTG. BRKT (MACHINING)	1	
9	MH992785703	GALVANISED WASHER M24	2	
10	MH992777115	M12 x 1.25 NYLOCK NUT	8	
11	MH796607123	ADAPTOR	1	
12	MH18129	COUPLING	1	
13	MH992275502	HX HD BOLT (M16 X 65L)	4	
14	MH992791565	SPRING WASHER FOR M16	4	
15	MH992791545	SPRING WASHER FOR M12	2	
16	MH992791535	SPRING WASHER FOR M10	6	
17	MH17705	DYNAMATIC PUMP	1	
18	MH40092	SPACER	1	
19	MH992275423	HEX HD. SCREW (M12X35L)	2	
20	MH992571383	SOC.HD .CAP SCREW M10X50L	6	
21	MH16247600	DOWEL PIN	1	
22	MH798707114	OVERLOAD WASHER M22	4	

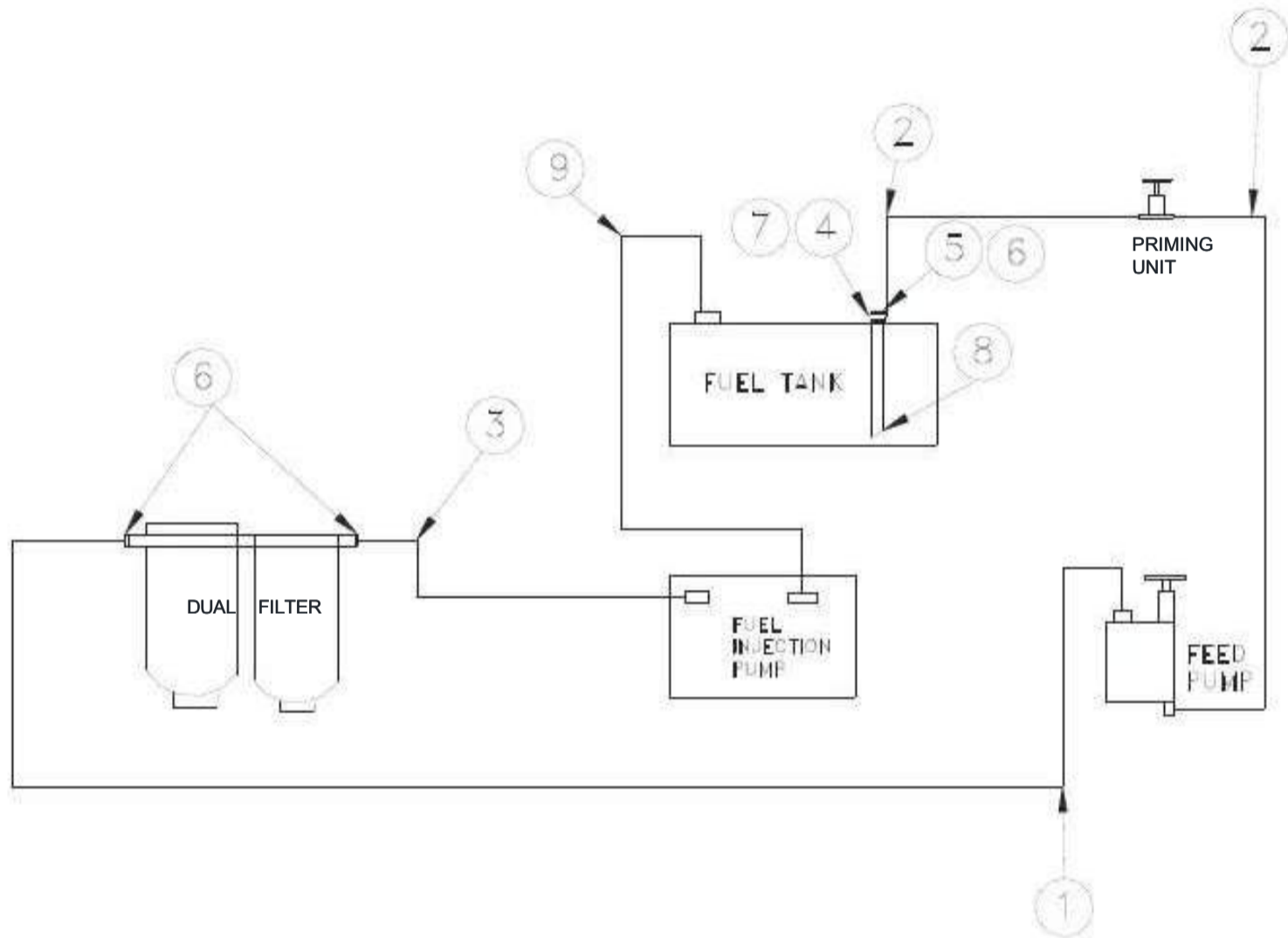


**FLUID COUPLING ASSY.
FLYWHEEL**

**FLUID COUPLING ASSY.
FLYWHEEL**

ITEM NO.	PART NO.	DESCRIPTION	QTY
1	MH 993311066	BALL BEARING	2
2	MH 992835617	CIRCLIP INTERNAL	1
*3	MH 785776601	CIRCLIP EXTERNAL	1
4	MH 05021	HEX.BOLT	6
5	MH 01463	DOWTY SEAL	6
6	MH 785791700	PLUG	2
7	MH799507033	ENGINE FLYWHEEL	1
8	MH 799507042	FLUID COUPLING BEARING HOUSING	1
9	MH 799507054	SPACER FLYWHEEL	1
10	MH 799507064	'O' RING FLYWHEEL	1
11	MH 00912	SPACER FLYWHEEL	1
*12	MH992286419	HEX SCREW M12x35 -P10.9 - F (FLYWHEEL TO ENGINE CRANK SHAFT COUPLING)	6
	00921062	WASHER TAB FLYWHEEL TO C.SHAFT S/SCREW (M/S Simpson Engine Scope of Supply).	3

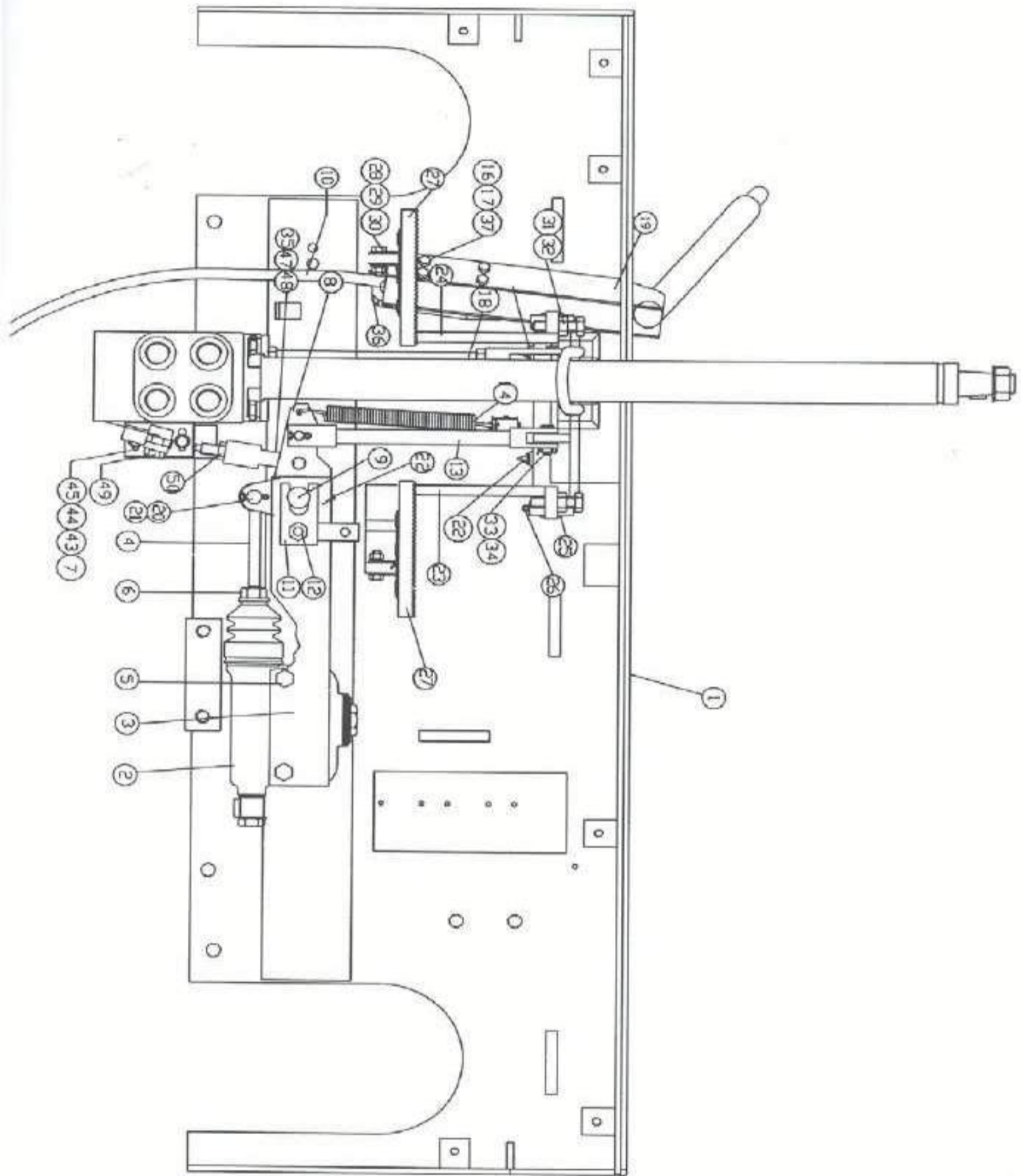
* ITEMS NOT SHOWN IN FIGURE



**FUEL SYSTEM
(799509019)**

**FUEL SYSTEM
(799509019)**

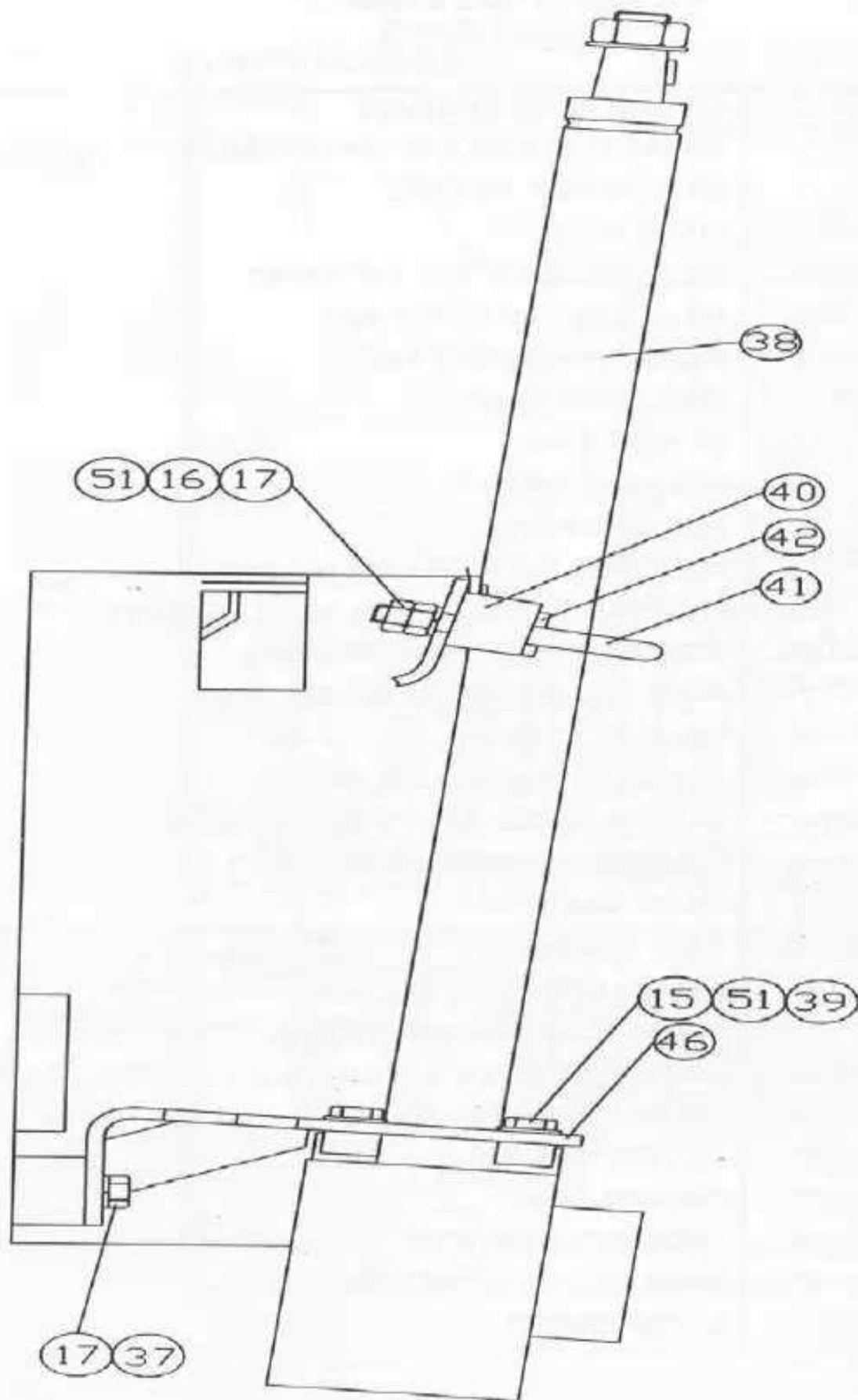
ITEM NO	PART NO	DESCRIPTION	QTY
1	MH785202301	FUEL LINE HOSE AS - 51" (BRAIDED HOSE)	1
2	MH785202302	FUEL LINE HOSE AS - 26" L(BRAIDED HOSE)	2
3	MH798717033	FUEL LINE RUBBER HOSE (FILTER TO FIP)	1
4	MH794731014	BANJO BOLT M14 X 1.5	1
5	MH8044Z114	ADAPTOR	1
6	MH992784654	CU WASHER M14	4
7	MH785200802	CAP NUT	1
8	MH01659	FUEL SUCTION WELDMENT	1
9	MH798717044	FUEL RETURN LINE HOSE (5/16" DIA R6)	1
10	DE005881- ENGINE SCOPE	LINE HAND PRIMER	1
11	DE005774- ENGINE SCOPE	DUAL FILTER FUEL	1



COWL ASSEMBLY
MH 799505023

**COWL ASSEMBLY
MH 799505023**

ITEM NO.	PART NO.	DESCRIPTION	QTY
1	MH 796612262	COWL WELDMENT	1
2	MH 799506053	BRAKE MASTER CYLINDER	1
3	-	-	-
4	-	-	-
5	MH992275301	HEX HD SCREW M8 X 40 LG	2
6	MH992761213	HEX NUT M8	1
7	MH 992781604	FLAT WASHER M6	2
8	MH 799506013	BELL CRANK	1
9	MH 502382100	PIVOT PIN	1
10	MH 04256	BRAKE CABLE	1
11	MH 502383100	RETRAINER	1
12	MH 057048200	HEX HD SCREW 3 / 8" UNC	1
13	MH 063681000	CONNECTING LINK WELDMENT	1
14	MH 060309600	PEDAL RETURN SPRING	1
15	MH 992275377	HEX HD SCREW M10 X 30	4
16	MH 992761114	HEX NUT M10	2
17	MH 992791535	SPRING WASHER M10	4
18	MH 796612214	CONN. ROD ASSY (CLUTCH)	1
19	MH 10515	PARKING BRAKE ASSY	1
20	MH797013594	ROD END PIN	1
21	MH 015418300	COTTER PIN	1
22	MH 022784500	LUBE FITTING	3
23	MH 065376200	BRAKE INCHING PEDAL	1
24	MH 065376300	INCHING OR CLUTCH LEVER	1
25	MH 063541000	BRAKE PEDAL SHAFT	1
26	MH 015420400	COTTER PIN	1
27	MH 063681200	PEDAL PAD	2

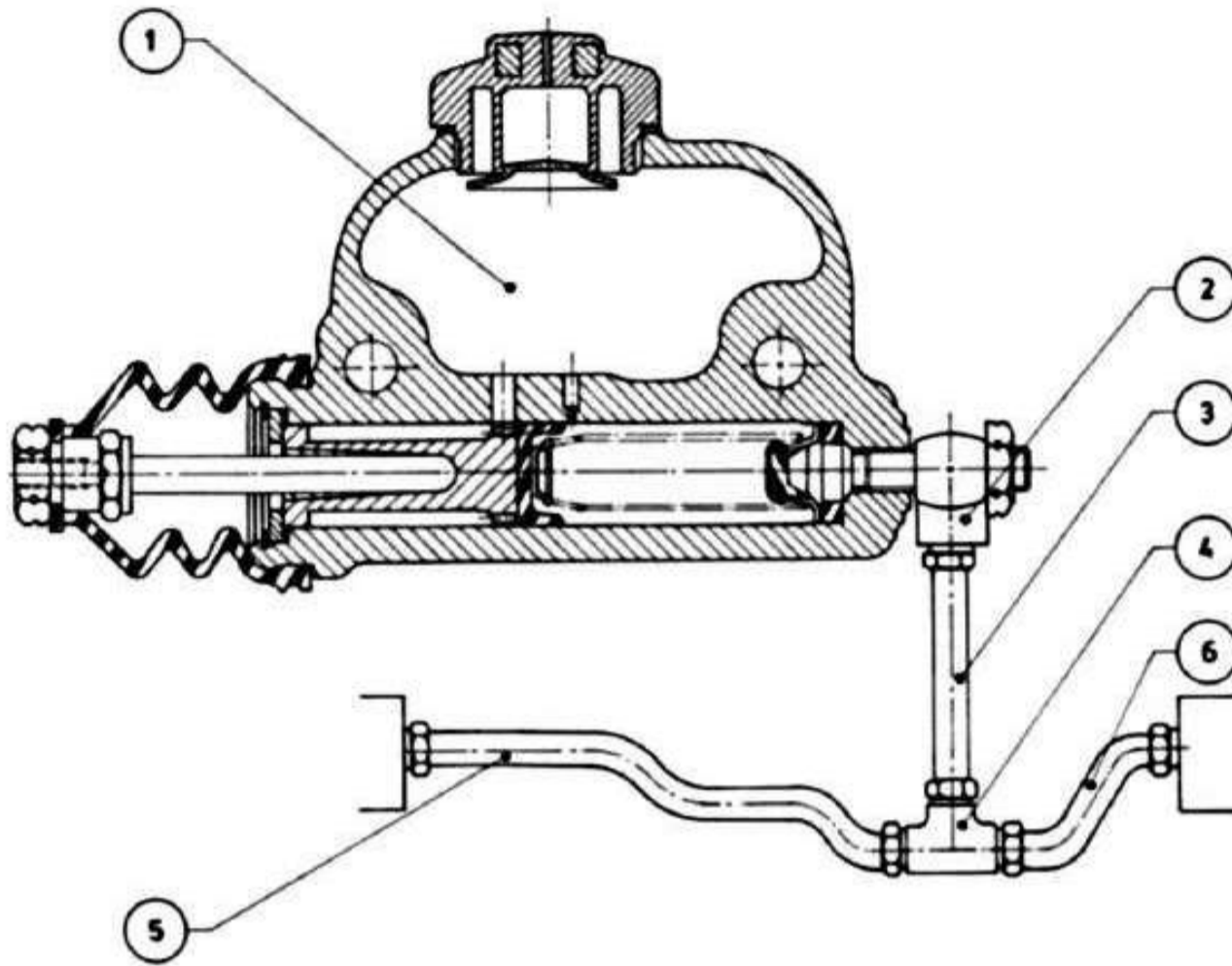


- 38 -

**COWL ASSEMBLY
MH 799505023**

**COWL ASSEMBLY
MH 799505023**

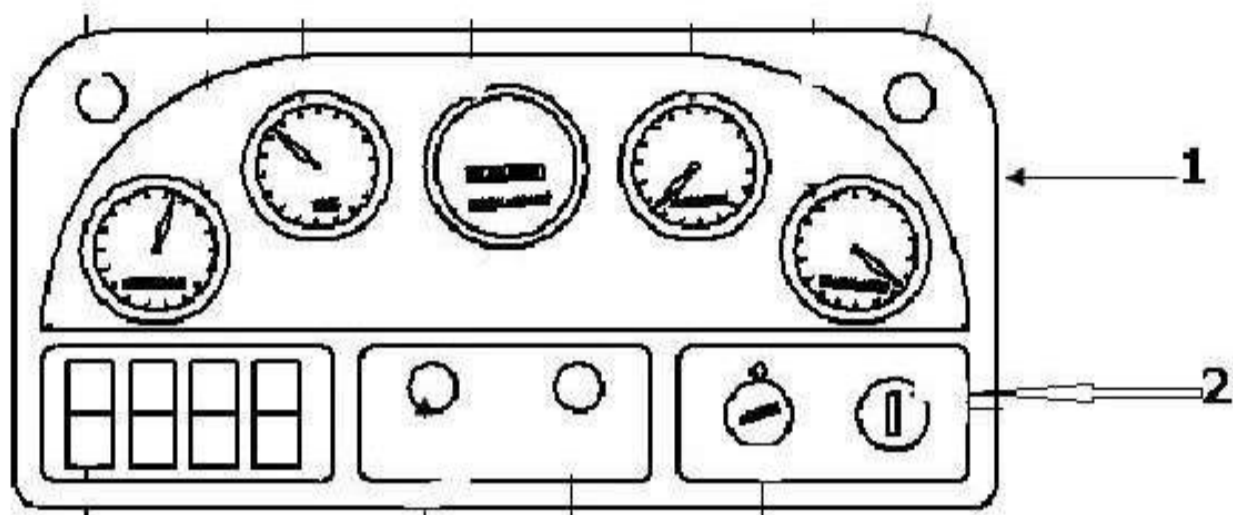
ITEM NO.	PART NO.	DESCRIPTION	QTY
28	MH 062143700	HEX HD SCREW 5 / 16" UNC	2
29	MH 014936600	HEX NUT 5 / 16" UNC	2
30	MH 015028900	L' WASHER	2
31	MH 014671800	HEX BOLT 3 / 8" UNC	2
32	MH 014936900	HEX NUT 3 / 8" UNC	2
33	MH 021848800	YOKE PIN	3
34	MH 015416200	SPLIT PIN	3
35	MH 05320	YOKE PIN	1
36	MH 11466	BRACKET BRAKE	1
37	MH 992275376	HEX HD SCREW M10 X 25	2
38	MH 07286	STEERING COLUMN ASSY	1
39	MH 785372600	SPACER	4
40	MH 01570	STEERING COLUMN BRACKET (TOP)	1
41	MH 01571	U' BOLT	1
42	MH 020184500	RUBBER PAD	1
43	MH 992175216	HEX HD BOLT M6 X 25	2
44	MH 992791515	SPRING WASHER M6	2
45	MH 11476	CABLE MOUNT	1
46	MH 11505	BRACKET STEERING COLUMN	1
47	MH 04343	ADJ. YOKE END	1
48	MH 992826078	SPLIT PIN	1
49	MH 992275295	HEX HD SCREW M8	1
50	MH 992773114	HEX NUT M10	1
51	MH 992781634	FLAT WASHER M10	6
52	MH 992763014	LOCK NUT M10	2



BRAKE TUBE ASSEMBLY DIAGRAM (FC)

BRAKE TUBE ASSEMBLY DIAGRAM (FC)

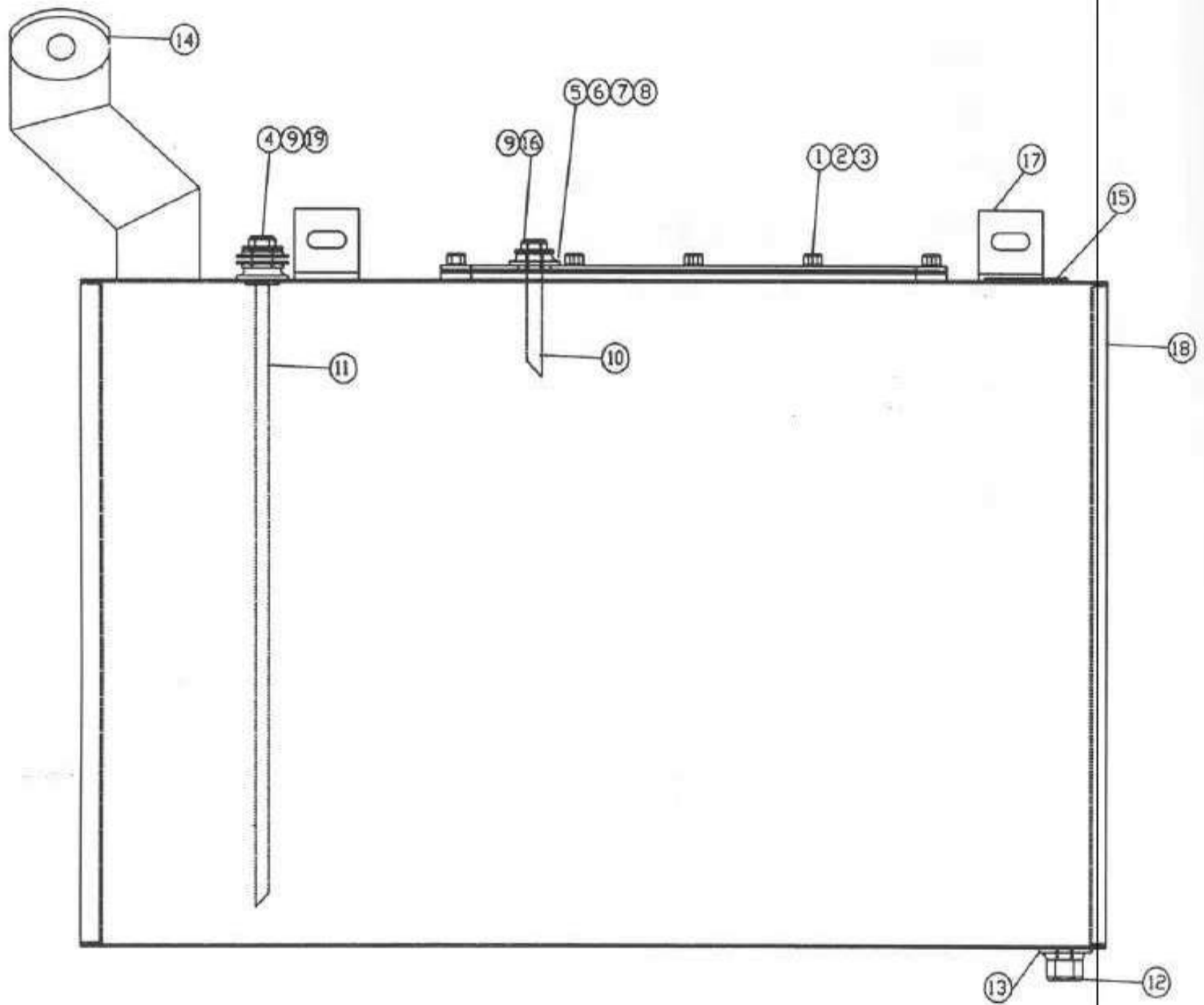
ITEM NO.	PART NO.	DESCRIPTION	QTY
1	MH 799506053	MASTER CYLINDER ASSEMBLY	1
2	MH870001394	BANJO ADAPTOR	1
	MH799506034	BANJO BOLT M12X1	1
	MH799506044	BANJO WASHER - M12	1
	MH 870001369	BANJO WASHER	1
3	MH08782	BRAKE HOSE ASSY 26" (MASTER CYL. TO CROSS FITING)	1
4	MH799805243	CROSS FITTING	1
5	MH 12416	L.H. BRAKE TUBE	1
6	MH 12415	R.H. BRAKE TUBE	1



INSTRUMENT PANEL ASSEMBLY-

INSTRUMENT PANEL ASSEMBLY

ITEM NO.	PART NO.	DESCRIPTION	QTY
1	MH799511063	HOUSING - INSTRUMENT PANEL	1
2	MH798715169	INSTRUMENT PANEL ASSLY	1
			1
	MH785207900	OIL PRESSURE GAUG(PRICOL 2025	1
	MH785761600	1** FUEL GAUGE (PRICOL NO 5026 / 5052)	1
	MH785358400	ELECTRONIC HR MTR	1
	MH785208000	AMP METER (PRICOL 4031/4040)	1
	MH785207800	TEMPERATURE INDICATOR (PRICOL 3717/3721)	1
	MH798715133	INSTRUMENT CLUSTER MTG PLATE	1
	MH42370	HAZARD SWITCH	1
	MH09091	INDICATOR LAMP	1
	MH14040	INDICATOR LAMP GREEN	1
	MH785207900	OIL PRESSURE GAUG(PRICOL 2025	1
	MH785761600	1** FUEL GAUGE (PRICOL NO 5026 / 5052)	1
	MH13175	PIANO SWITCH	1
	MH798715054	KEY SWITCH (HOBBS)	1
	MH10295	PR SEND LINE(S4/P6)	1
	MH11408	PRESS SWITCH-HOBBS PT NO 11408	1
	MH12016	ADAPTOR PR. SENDING LINE(S4)	1

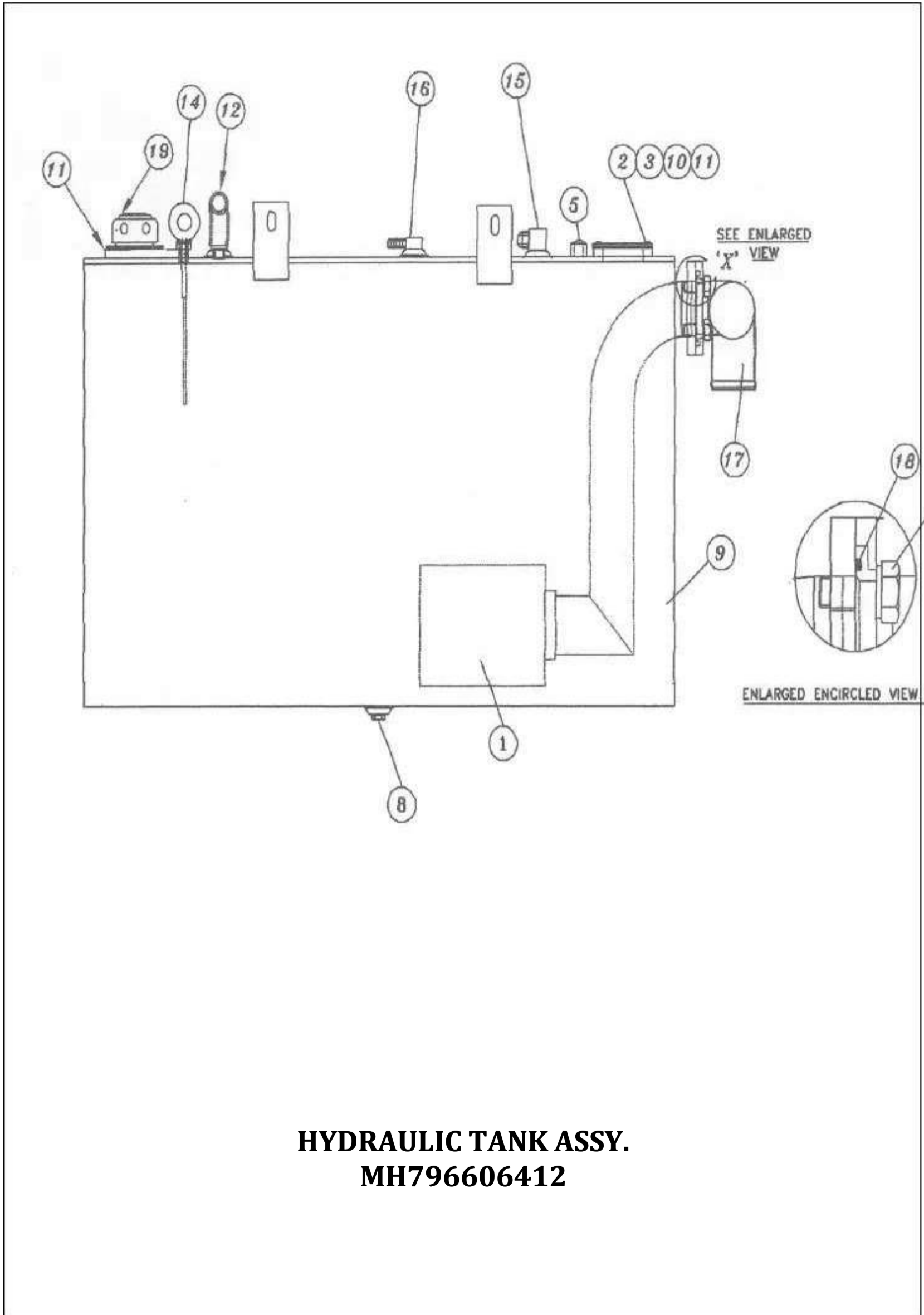


**DIESEL TANK ASSY.
MH 796621022**

**DIESEL TANK ASSY.
MH 796621022**

ITEM NO.	PART NO.	DESCRIPTION	QTY
1	MH 992273210	GAL. SCREW -M6	12
2	MH 992785604	GAL. WASHER	12
3	MH 992791515	SPRING WASHER	12
4	MH 785200802	CAP NUT	1
5	MH 01079	SPACER PLATE	1
6	MH 01077	COVER PLATE	1
7	MH 01078	GASKET	1
8	MH 10137	FLANGE	1
9	MH 785787703	CU WASHER	4
10	MH 991181035	TUBE (1/2"NB)	1
11	MH 01659	FUEL SUCTION FITTING	1
12	MH 785200300	DRAIN PLUG	1
13	MH 00300	PIPE TAP. BOSS	1
14	MH 879901084	FUEL TANK GAP ASSY	1
15	MH 785200400	SENDING UNIT	1
16	MH 785217100	SUCTION SCREW	1
17	MH 00790	ANGLE	2
18	MH 796621011	FUEL TANK WELDMENT (14GA)	1
19	MH 785200801	ADAPTER	1

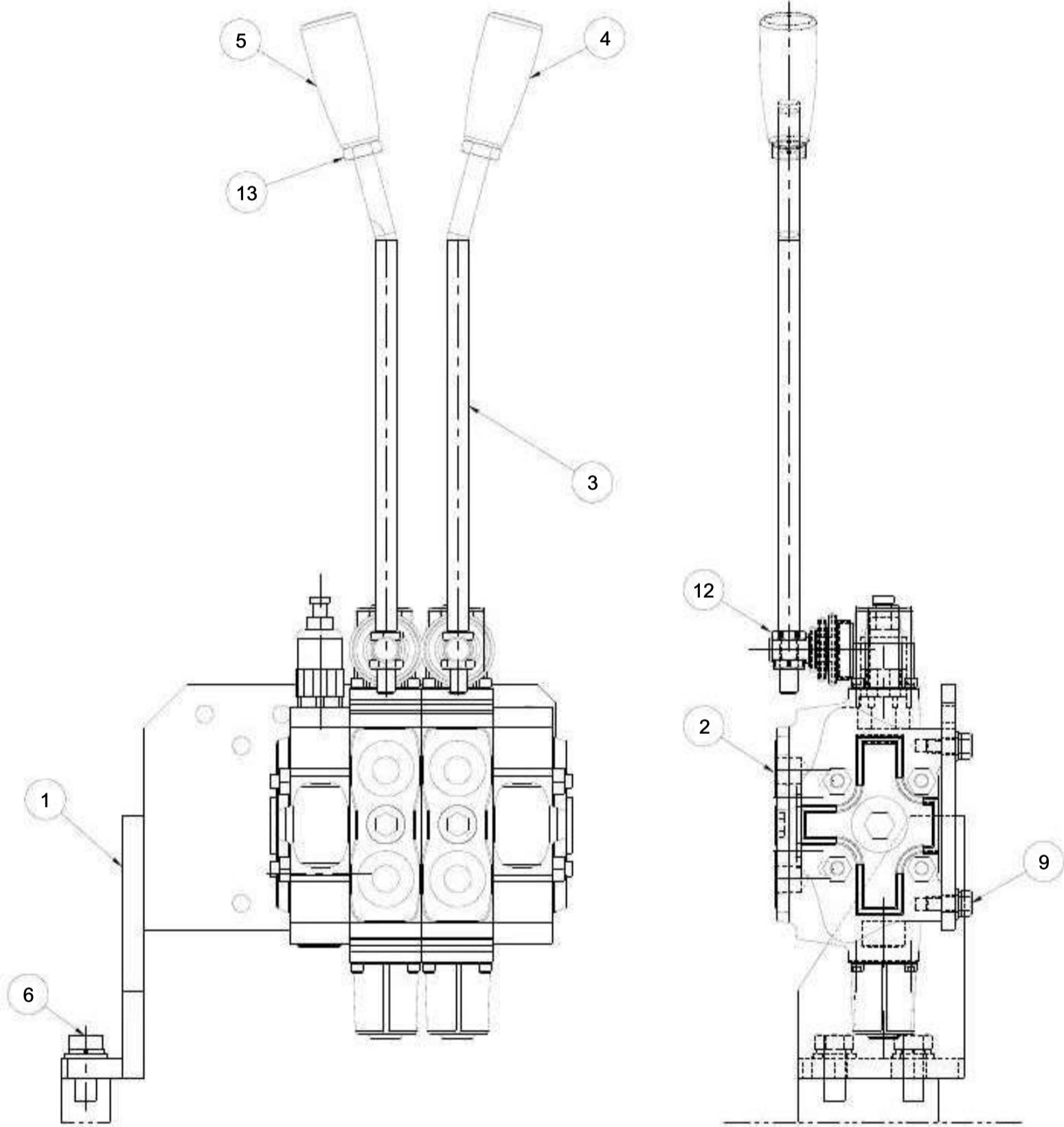
	MH 796621011	DIESEL TANK	1
	MH 796621032	DIESEL TANK INSTALLATION	1



**HYDRAULIC TANK ASSY.
MH796606412**

**HYDRAULIC TANK ASSY.
MH796606412**

ITEM NO.	PART NO.	DESCRIPTION	QTY
1	MH 795306033	SUCTION STARINER	1
3	MH 798606284	COVER PLATE	2
4	MH 796606053	GASKET	-
5	MH 12412	CAP NUT	1
6	MH 992791545	SPRING WASHER (M12)	4
7	MH 992275416	HX.HD. SCREW M12 X 25	4
8	MH 796606144	PLUG 3 / 4 BSPT	1
9	MH 796606292	HYDRAULIC TANK WELDMENT	1
10	MH 992371122	PAN HD SCREW M4X12	12
11	MH 992791504	LOCK WASHER M4	12
12	MH 796606134	TUBE RETURN (FILTER)	1
*13	MH 992271293	HEX SC. M8X14	20
14	MH 00835	DIP - STICK	1
15	MH 796606164	ELBOW (CONT. VALVE RETURN)	1
16	MH 785264500	ELBOW (HOIST CYL RETURN)	1
17	MH 796606363	HYD PIPE ASSY	1
18	MH 993461303	'O' RING	1
19	MH 785382800	BREATHER ASSY	1
*20	MH 992791525	SPRING WASHER M8	20
*21	MH 796606324	TANK MTG BKT.	2
*22	MH 992275377	HEX SCREW M10 X 30	4
*23	MH 992761114	NUT M10	2
*24	MH 992791535	SPRING WASHER M10	6
*25	MH 992275381	HEX SCREW M1 X 40	2
*26	MH 993461143	'O' RING	1

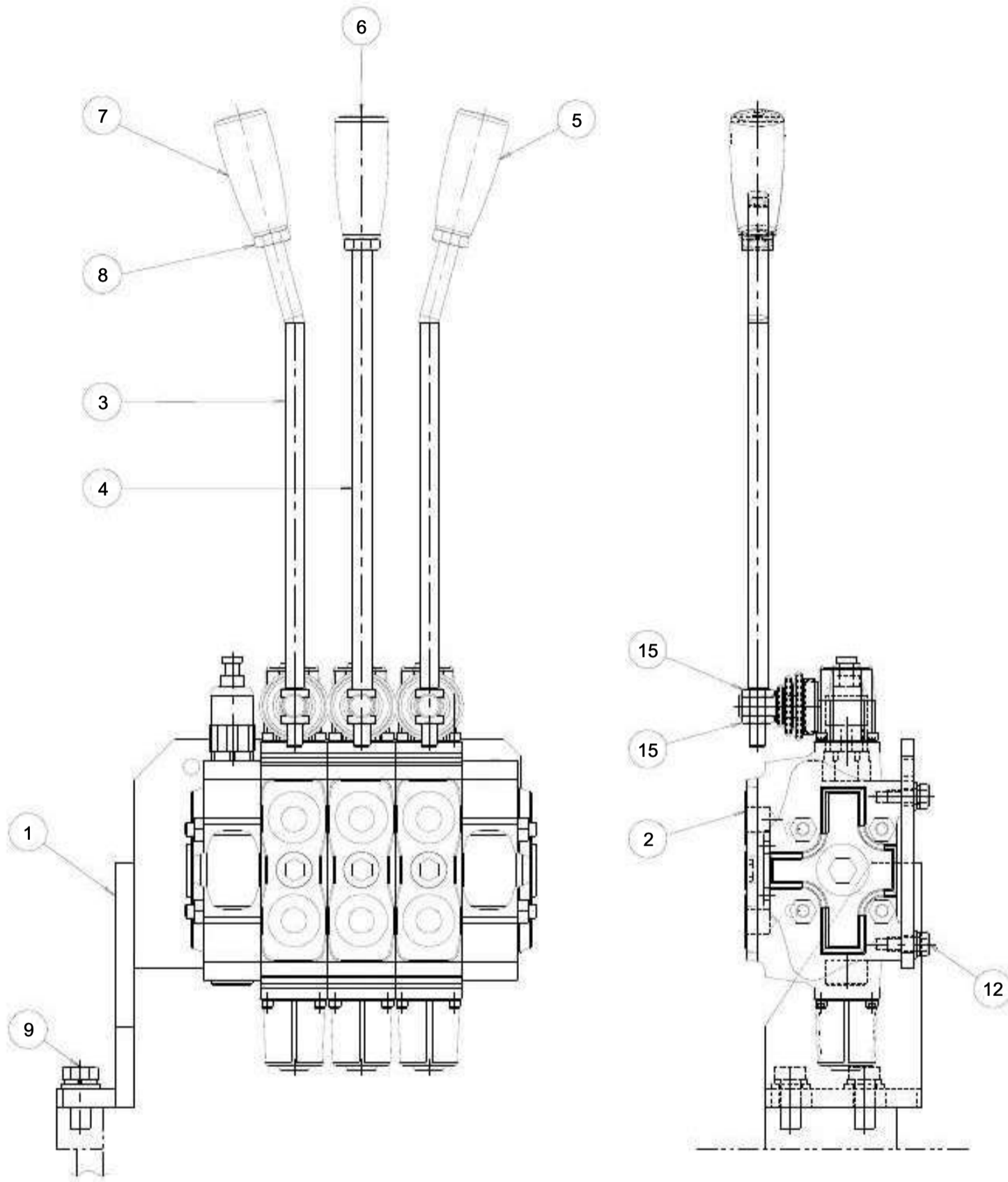


**2-SPOOL CONTROL VALVE INSTALLATION
(MH 796606252)**

**2-SPOOL CONTROL VALVE INSTALLATION
(MH 796606252)**

ITEM NO.	PART NO.	DESCRIPTION	QTY
1	MH17959	CONTROL VALVE MTG. BKT.	1
2	MH 13391	2 SPOOL CONTROL VALVE	1
3	MH796406512	HOIST HANDLE DVX	1
	MH796406522	TILT CONTROL HANDLE DVX	1
4	MH 785766600	HOIST CONTROL KNOB	1
5	MH 785766700	TILT CONTROL KNOB	1
6	MH 992273417	HEX. SCREW M12 x 30 Lg.	2
	MH 992785644	PLAIN WASHER M12	2
	MH 992791545	SPRING WASHER M12	2
7	MH 992275295	HEX. SCREW M8 x 20 Lg.	4
	MH 992785624	PLAIN WASHER M8	4
	MH 992791525	SPRING WASHER M8	4
12	MH 992763114	LOCK NUT M10	4
13	MH 992763115	LOCK NUT M12	2

ITEM NO.	PART NO.	DESCRIPTION	QTY
1	MH13391	2 SPOOL CONTROL VALVE	1
2	MH13391-80	SEAL KIT CONTROL VALVE	1

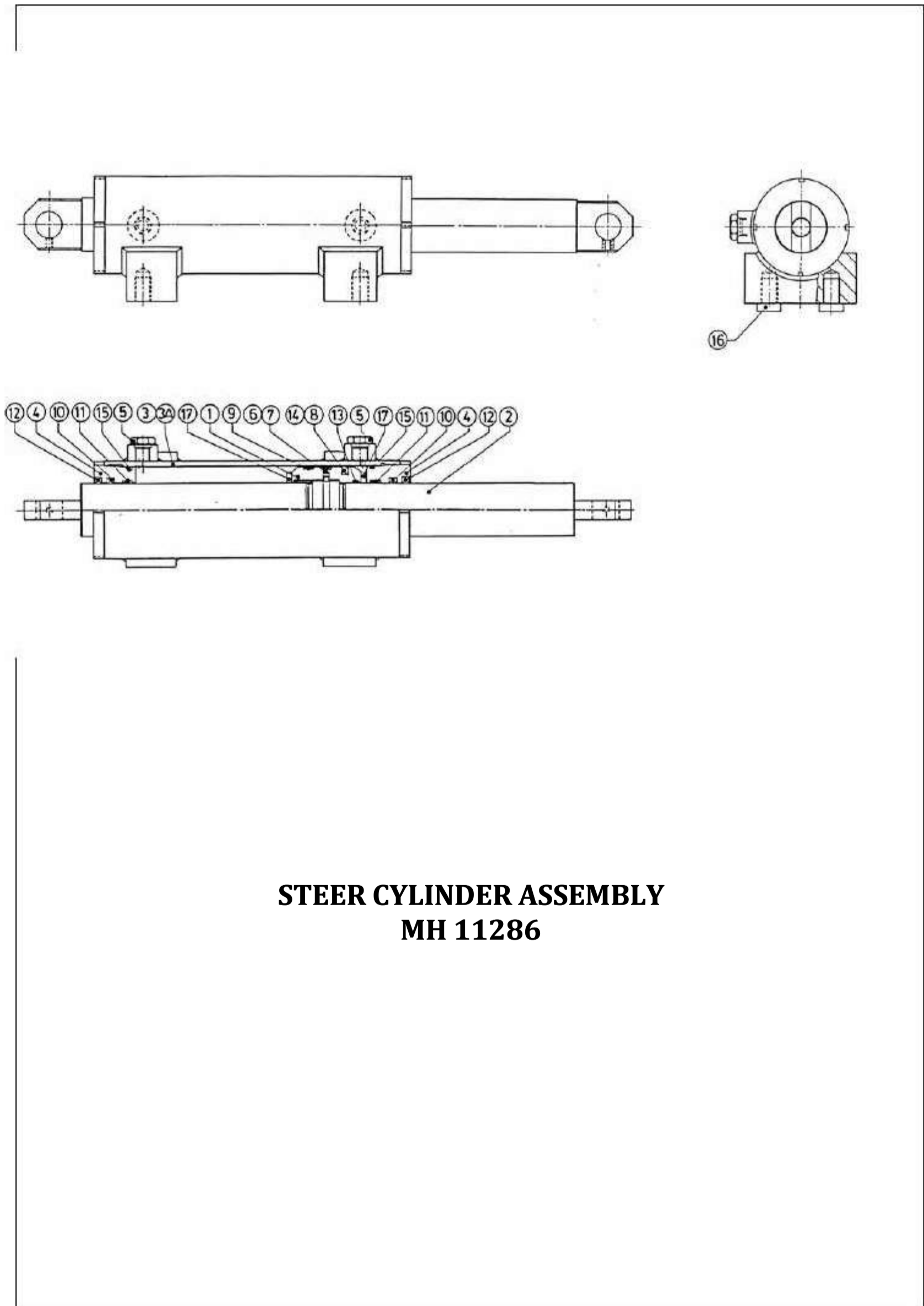


**3-SPOOL CONTROL VALVE INSTALLATION
(MH18066)**

3-SPOOL CONTROL VALVE INSTALLATION (MH18066)

ITEM NO.	PART NO.	DESCRIPTION	QTY
1	MH 17959	CONTROL VALVE MTG. BKT.	1
2	MH 17955	3- SPOOL CONTROL VALVE	1
3	MH 18000	CONTROL VALVE HANDLE	1
4	MH 17999	CONTROL VALVE HANDLE	2
5	MH 785766600	HOIST CONTROL KNOB	1
6	MH 785766700	TILT CONTROL KNOB	1
7	MH 785778600	AUXI. CONTROL KNOB	1
8	MH 992763115	LOCK NUT M12	3
9	MH 992273417	HEX. SCREW M12 x 30 Lg.	2
	MH 992785644	PLAIN WASHER M12	2
	MH 992791545	SPRING WASHER M12	2
12	MH 992275295	HEX. SCREW M8 x 20 Lg.	3
	MH 992785624	PLAIN WASHER M8	3
	MH 992791525	SPRING WASHER M8	3
15	MH 992763114	LOCK NUT M10	6

ITEM NO.	PART NO.	DESCRIPTION	QTY
1	MH17955	3 SPOOL CONTROL VALVE	1
2	MH17955-80	SEAL KIT CONTROL VALVE	1

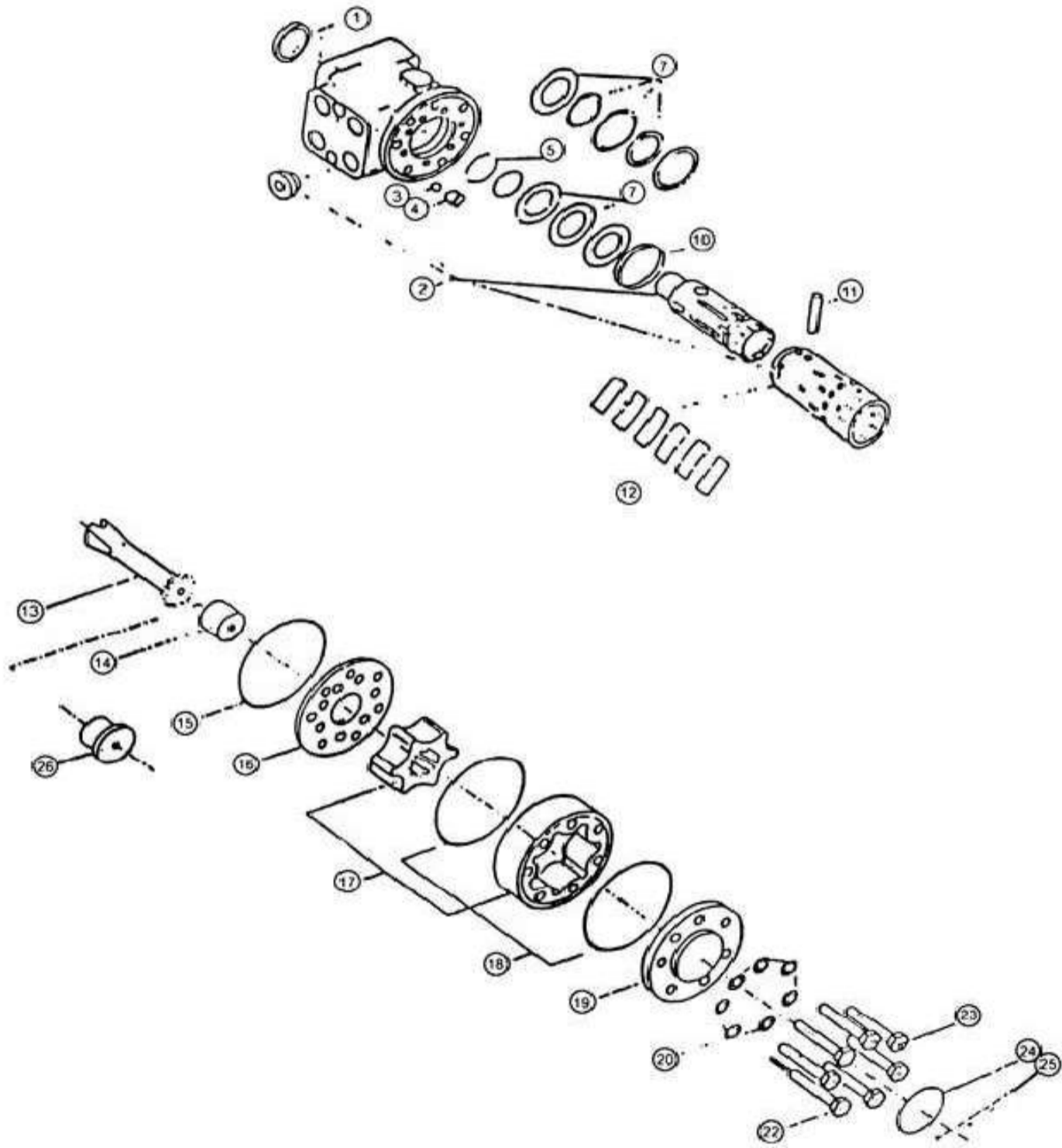


**STEER CYLINDER ASSEMBLY
MH 11286**

**STEER CYLINDER ASSEMBLY
MH 11286**

ITEM NO.	PART NO.	DESCRIPTION	QTY
1	NS	PISTON	1
2	NS	PISTON ROD	1
3	NS	TUBE S/A	1
3A	NS	TUBE	-
4	NS	H.E. COVER	2
5	NS	PROTECTION PLUG	2
6	NS	HEX. SOC. GRUB SCREW	1
7	NS	CHECKER. ALLOY STEEL BALL	1
8	NS	PISTON SEAL	1
9	NS	PISTON BEARING	1
10	NS	ROD SEAL	2
11	NS	ROD BEARING	2
12	NS	WIPER	2
13	NS	'O' RING (PISTON)	1
14	NS	'O' RING (PISTON SEAL)	1
15	NS	'O' RING (H.E. COVER)	2
16	NS	PROTECTION CAP	4
17	NS	SPACER	2

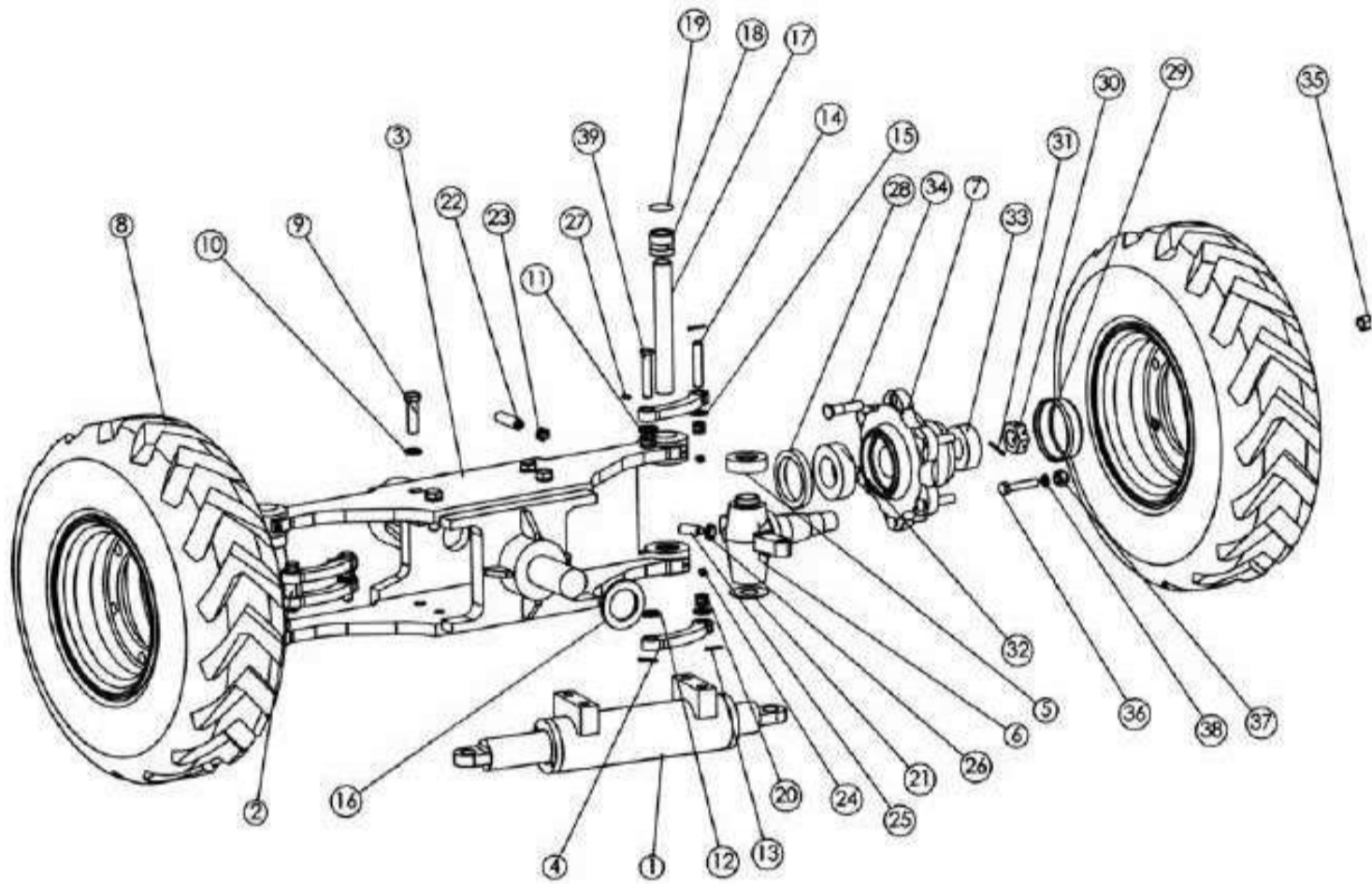
Seal Kit (P. no. MH 13227) consists of item nos. 8, 9, 10, 11, 12, 13, 14, & 15



STEERING UNIT (DANFOSS)**MH42089**

ITEM NO.	PART NO.	DESCRIPTION	QTY
1	NS	DUST SEAL RING	1
2	NS	HOUSING SPOOL & RING	1
	NS	(NOT SOLD SEPARATELY)	
3	NS	BALL DIAA 8.5 MM	1
4	NS	THREAD BUSHING	1
5	NS	'O' RING	1
-	NS	KIN KING	1
7	NS	BEARING	1
10	NS	RING	1
11	NS	CROSS PIN	1
12	NS	SET OF RING	1
13	NS	CARDAN SHAFT ON STEERING UNIT	1
15	NS	'O' RING	1
16	NS	DISTRIBUTOR PLATE	1
18	NS	'O' RING	2
19	NS	END COVER	1
20	NS	WASHER	7
21	NS	NAME PLATE	1
22	NS	DRIVE SCREW	2

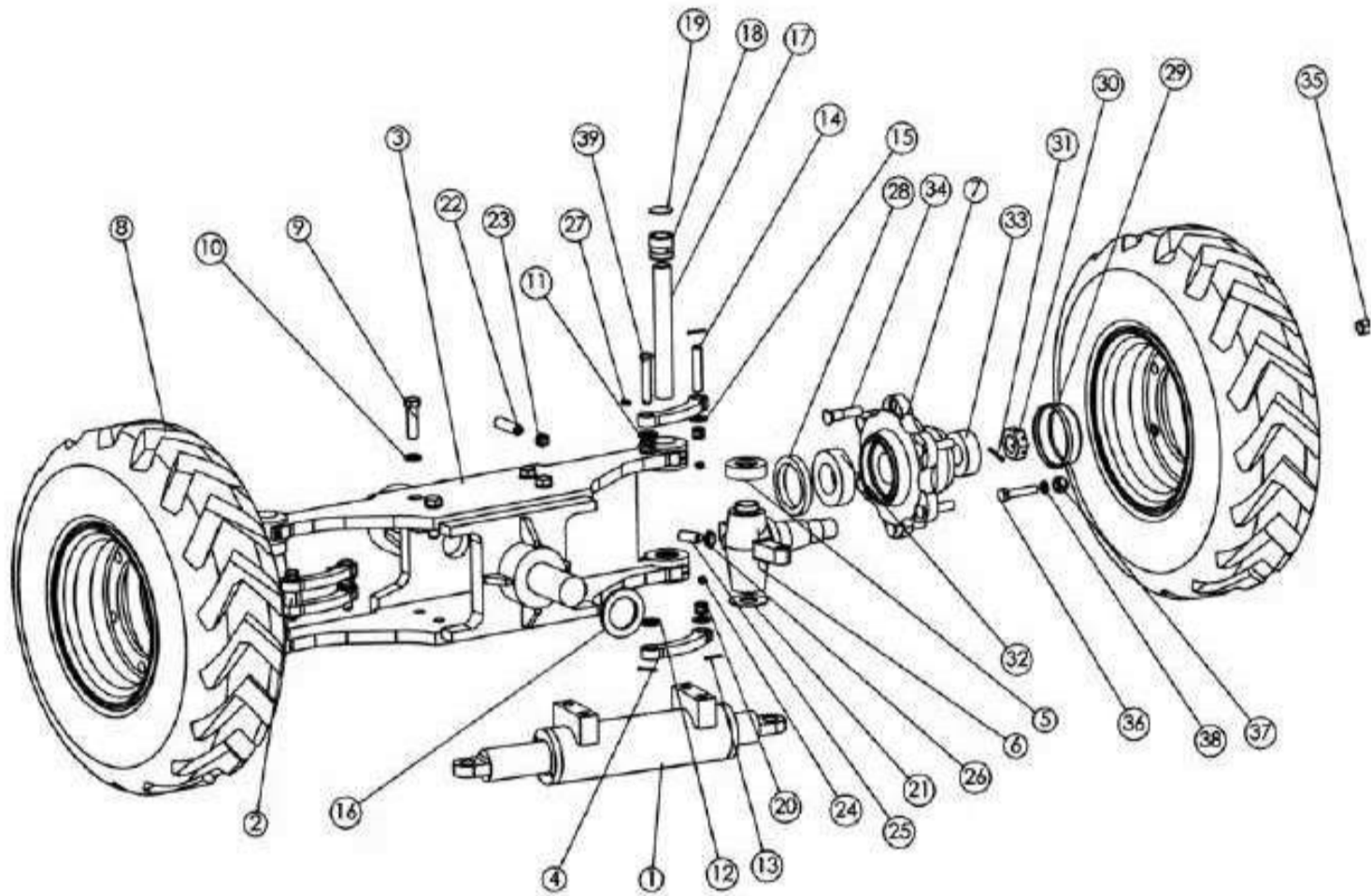
Seal Kit (P. no. MH 13227) consists of item nos. 8, 9, 10, 11, 12, 13, 14, & 15



**STEER AXLE ASSEMBLY
MH 18036**

**STEER AXLE ASSEMBLY
MH 18036**

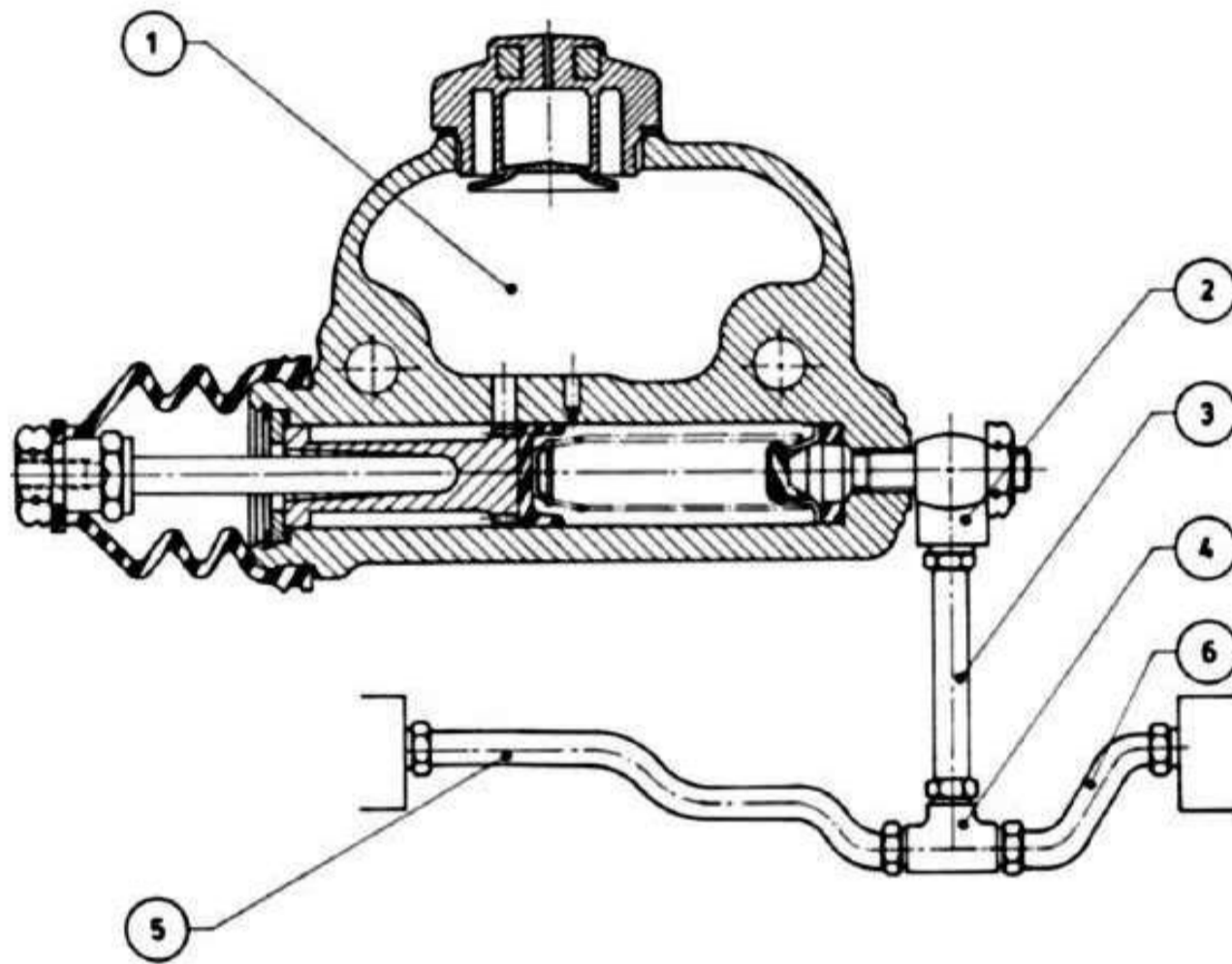
ITEM NO.	PART NO.	DESCRIPTION	QTY
1	MH 11286	STEER CYLINDER ASSEMBLY	1
2	MH 12268	STEER KNUCKLE LH	1
3	MH 18027	WELD'T TRAIL AXLE	1
4	MH 08977	CONNECTION LINK	4
5	MH 019383600	THRUST BEARING	2
6	MH 12269	STEER KNUCKLE RH	1
7	MH 00207	STEER WHEEL HUB	2
8	MH 10574	REAR WHEEL ASSEMBLY (BEAR CAT)	2
-	MH 796425028	REAR WHEEL ASSEMBLY (PNEUMATIC)	2
9	MH 992275504	HEX. SCREW	4
10	MH 992791565	SPRING WASHER	4
11	MH 12205	BUSH	2
12	MH 12510	SPECIAL WASHER	4
13	MH 992826225	SPLIT PIN	6
14	MH 09185	YOKE PIN	2
15	MH 992781654	M. S. WASHER	8
16	MH 08978	SPACER	2
17	MH 066616800	STEERING KNUCKLE PIN	2
18	MH 785201300	BUSH FOR KNUCKLE PIN	4
19	MH 023818300	EXPANSION PLUG	4
20	MH 09186	BUSH	8
21	MH 016136300	SPECIAL THRUST WASHER	2
22	MH 056142200	GRUB SCREW	2
23	MH 014971100	LOCK NUT	2
24	MH 785324300	NIPPLE	4



**STEER AXLE ASSEMBLY
MH 18036**

**STEER AXLE ASSEMBLY
MH 18036**

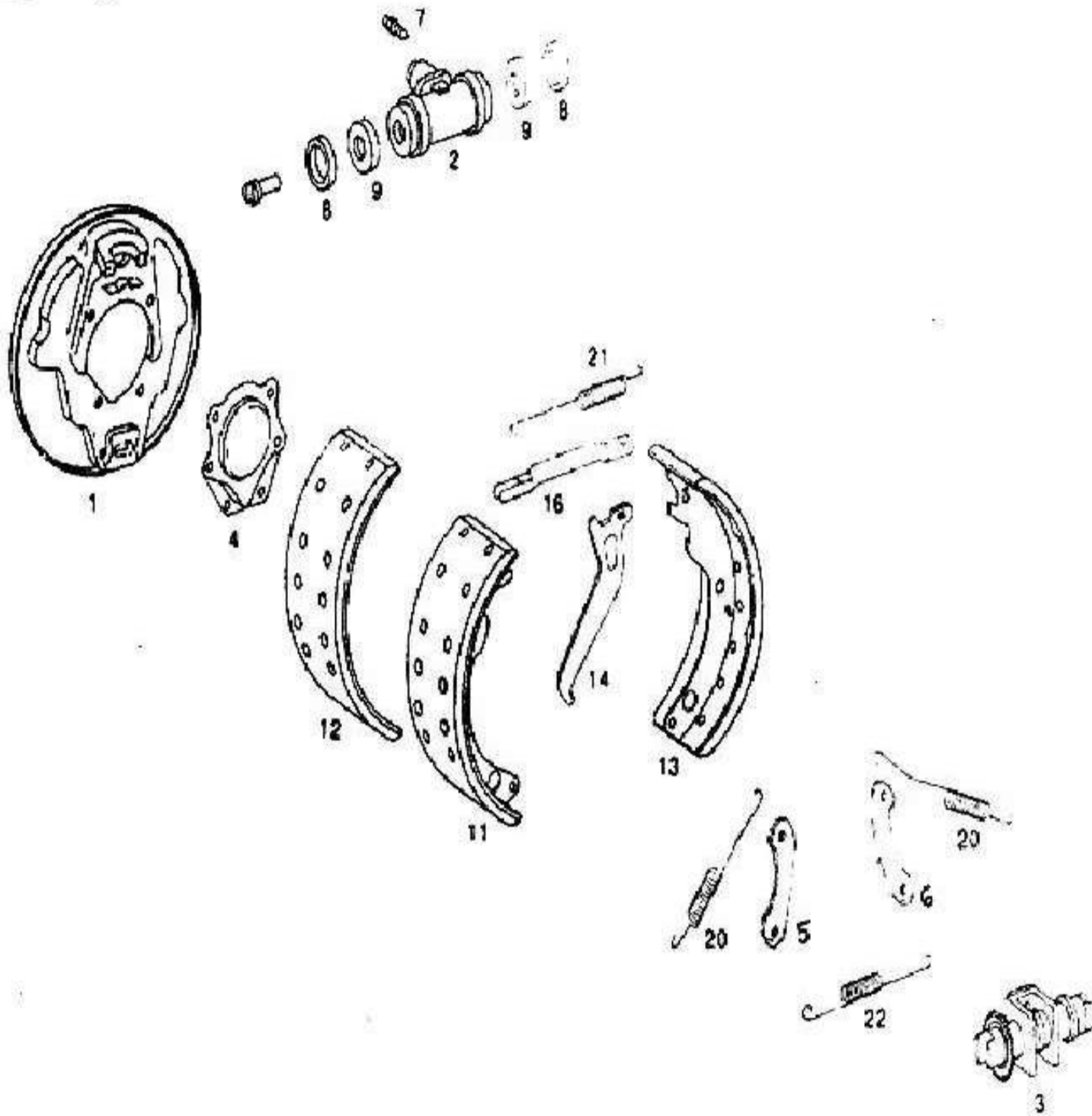
ITEM NO.	PART NO.	DESCRIPTION	QTY
25	MH 08980	CLAMP SCREW	2
26	MH 992763017	LOCK NUT	2
27	MH 993791106	GREASE NIPPLE	4
28	MH 016167300	OIL SEAL	2
29	MH 514008300	HUB CAP TRAIL WHEEL	2
30	MH 014984900	SLOTTED NUT	2
31	MH 015420400	COTTER PIN	2
32	MH 785299901	BEARING TAPER ROLLER	2
33	MH 015140200	TIMKEN BEARING	2
34	-	-	-
35	-	-	-
36	MH 791340034	TRAIL RIM STUD	12
37	MH 08724	HEX NUT	12
38	MH 08725	SPRING WASHER	12
39	MH 09185	YOKE PIN	2



**BRAKE TUBE ASSEMBLY DIAGRAM (FC)
MH 796605153**

BRAKE TUBE ASSEMBLY DIAGRAM (FC)**MH 796605153**

ITEM NO.	PART NO.	DESCRIPTION	QTY
1	MH 796605129	MASTER CYLINDER ASSEMBLY	1
-	MH 04031	KIT - MASTER CYLINDER	-
2	MH 785224100	BANJO ADAPTOR	1
3	MH 12472	TUBE GROUP (MASTER CYL. TO TEE)	1
4	MH 12411	CROSS	1
5	MH 12416	L.H. BRAKE TUBE	1
6	MH 12415	R.H. BRAKE TUBE	1
7	MH 014793300	.BANJO BOLT	1
8	MH 870001369	BANJO WASHER	1
9	MH 015486100	COPPER WASHER	1

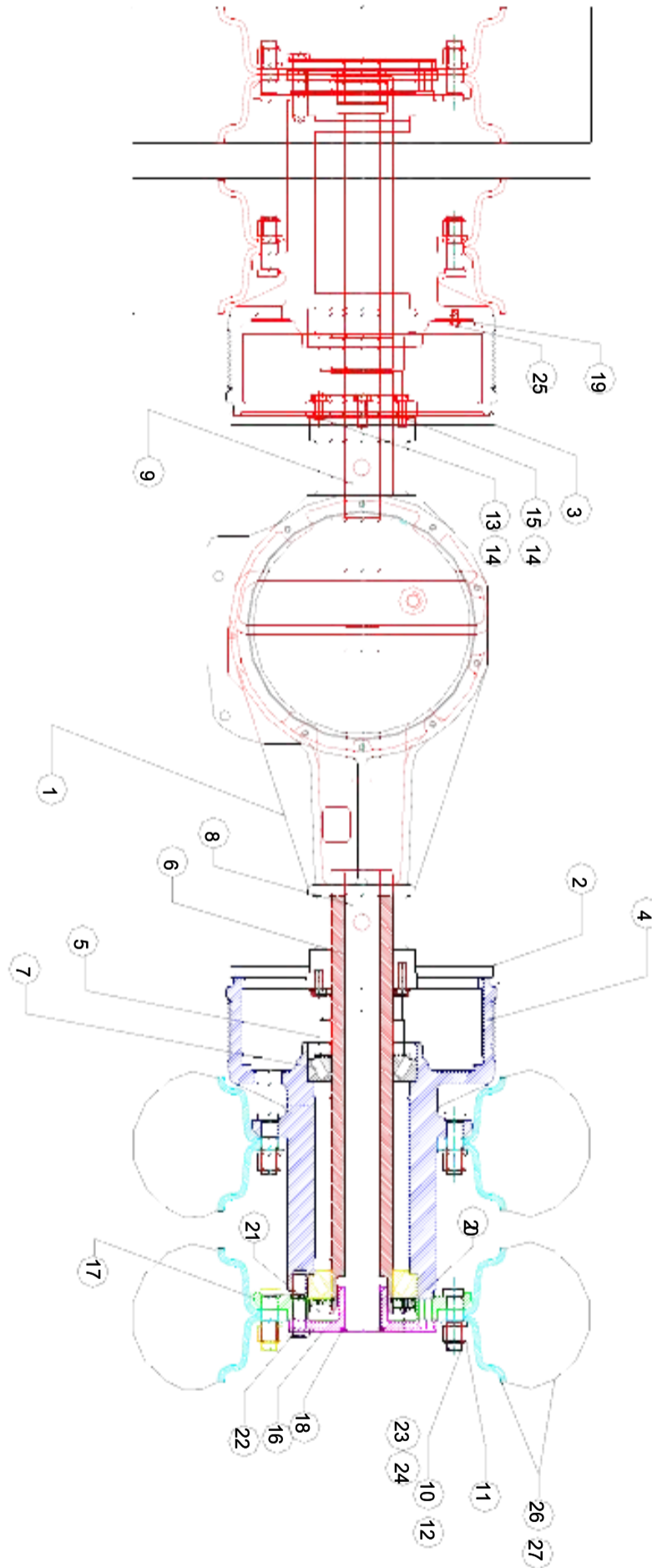


BRAKE ASSEMBLY DVX-506-FC REAR WHEEL BRAKE

MH 796605028 / MH 796605038

**BRAKE ASSEMBLY DVX-506-FC REAR WHEEL BRAKE
MH 796605028 / MH 796605038**

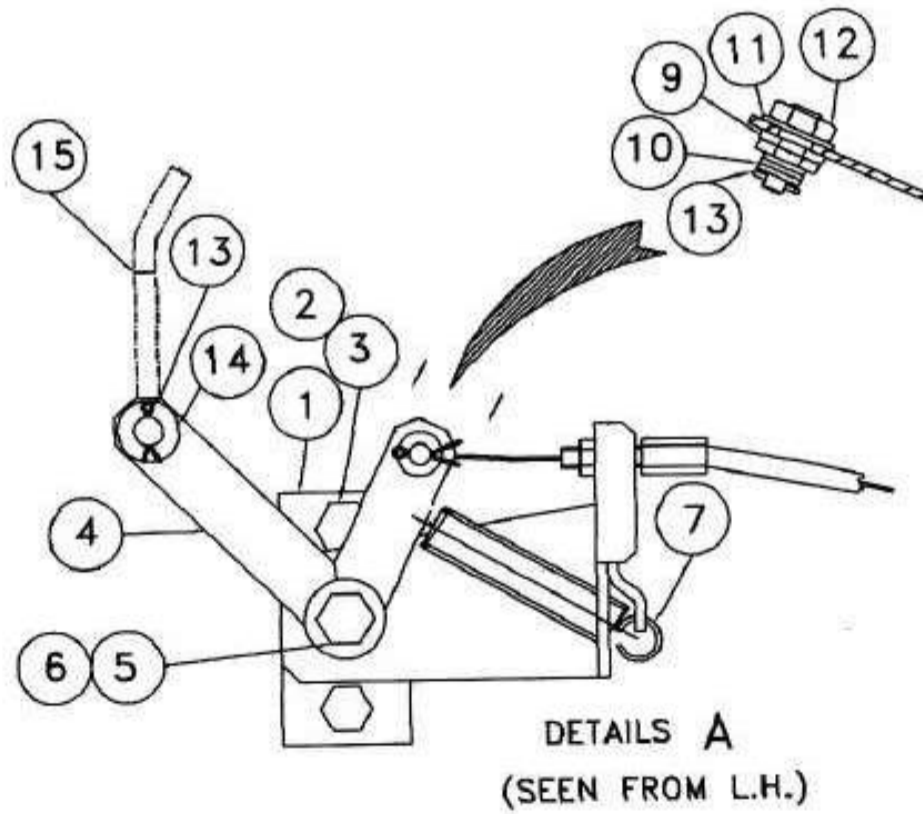
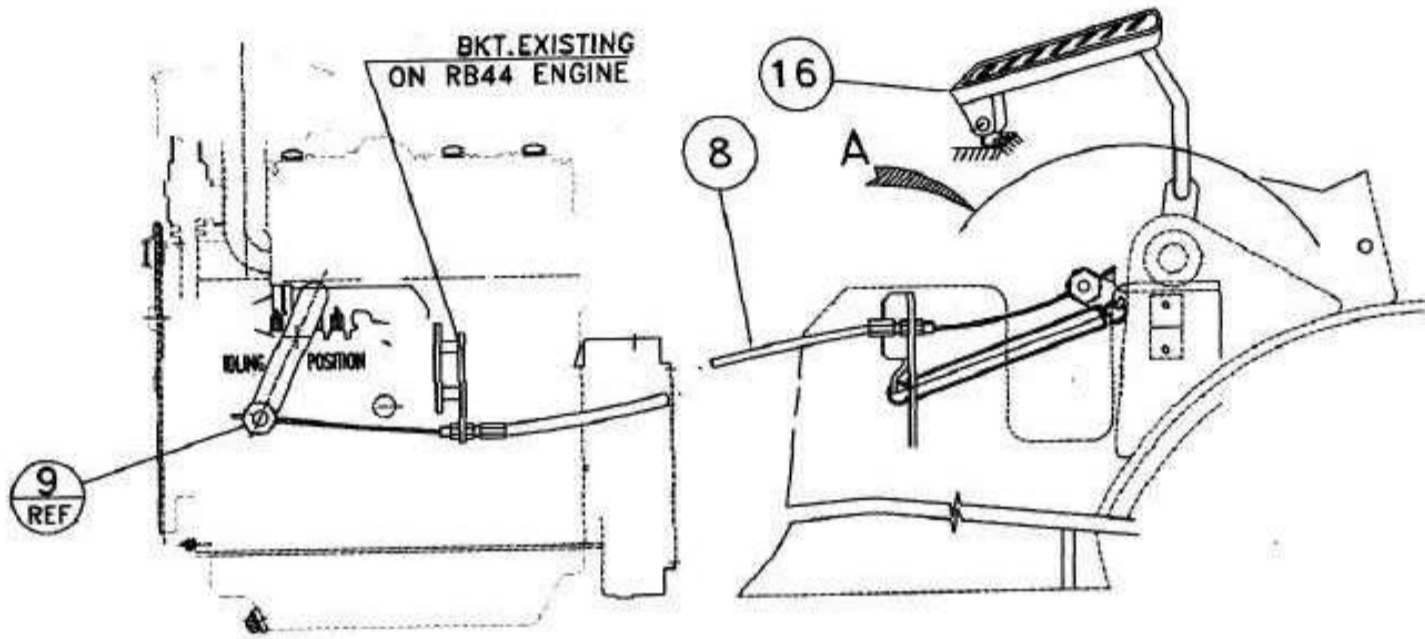
ITEM NO.	PART NO.	DESCRIPTION	QTY
1	MH 796605344	ASSY.ANCHOR PLATE FRONT RH	1
-	MH 796605194	ASSY.ANCHOR PLATE FRONT LH	1
2	MH 796605204	ASSY.WHEEL CYLINDER	2
3	MH 796605204	ASSY.ADJUSTER (AUTO)	2
5	MH 796605354	LOCKING PLATE - LH	1
6	MH 796605364	LOCKING PLATE - RH	1
7	NS	RUBBER BOOT	1
8	NS	CUP SEAL	2
9	NS	BLEEDER SCREW	2
11	MH 796605174	ASSY.BRAKE SHOE W/LIN (PRI)	2
13	MH 796605184	ASSY.BRAKE SHOE W/LIN(SEC)	2
14	MH 796605324	BRAKE LEVER - LH	1
-	MH 796605334	BRAKE LEVER - RH	1
-	MH 796605314	ASSY.THRUST ROD - RH	1
16	MH 796605304	ASSY.THRUST ROD - LH	1
-	MH 796605294	THRUST SPRING	2
-	MH 796605284	PIN	4
-	MH 796605274	SPRING (AXIAL RETAINING)	4
-	MH 796605264	COVER	8
20	MH 796605224	RETURN SPRING (CENTRE)	4
21	MH 796605234	SPRING (SHOE RETURN - TOP)	2
22	MH 796605244	SPRING	2
-	MH 796605254	SPRING (SHOE RETURN BOTTOM)	2



**AXLE ASSEMBLY
(798702161)**

**AXLE ASSEMBLY
(798702161)**

ITEM NO	PART NO	DESCRIPTION	QTY
1	MH796602141F	DRIVE AXLE HOUSING	1
2	MH40838	BRAKE ASSEMBLY RH	1
3	MH40837	BRAKE ASSEMBLY LH	1
4	MH40746	BRAKE DRUM	2
5	MH796602049	SPACER	2
6	MH796602019	SLEEVE	2
7	MH993361146	TAPER ROLLER BEARING	4
8	MH796602079	DRIVE SHAFT LONG	1
9	MH796602109	DRIVE SHAFT SHORT	1
10	MH791340034	WHEEL STUD	24
11	MH08724	WHEEL NUT	24
12	MH08725	WASHER	24
13	MH796405129	HEX HEAD SCREW	4
14	MH992781644	HARDENED WASHER	12
15	MH796405119	HEX HEAD SCREW	8
16	MH07565	DRIVE FLANGE	2
17	MH07566	ADAPTER RING	2
18	MH870000374	STOP PLATE	2
19	MH00211	DUST PLATE	2
20	MH785256600	LOCK PLATE	2
21	MH00205	BEARING UNIT	2
22	MH992275502	HEX HEAD SCREW	16
23	MH992791293	HEX HEAD SCREW	6
24	MH992791515	SPRING WASHER	2
25	MH992271293	HEX HEAD SCREW	6
26	MH11412PD5FC	TYRE ASSY. PNEUMATIC 7X12	4
27	MH11412BC5FC	TYRE ASSY. BEAR CAT 7X12	4



ACCELERATOR PEDAL ASSY.

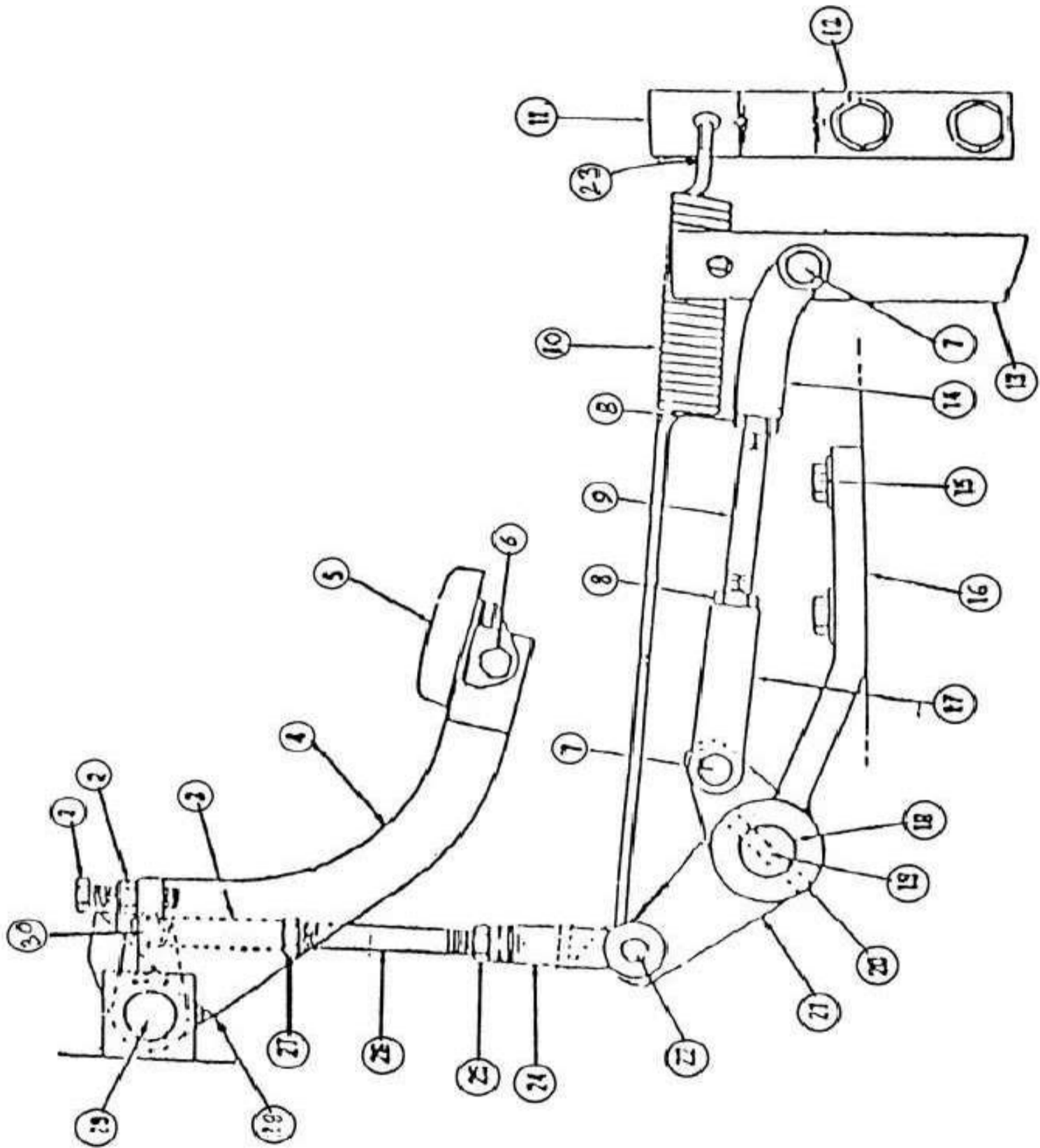
MH 17218

ACCELERATOR PEDAL ASSY.

MH 17218

ITEM NO.	PART NO.	DESCRIPTION	QTY
1	MH 11742	SUPPORT	1
2	MH 992273294	M8 X 20 GALV. SCREW	2
3	MH 992791525	SPRING WASHER M8	2
4	MH 11741	LEVER	1
5	MH 161339	WASHER	1
6	MH 992273212	M6 X 12 GALV. SCREW	1
7	MH 785203800	ACC. RET. SPRING	1
8	MH 05487	ACCELERATOR CABLE	1
9	MH 11747	CONNECTOR - (CABLE)	1
10	MH 992785604	GALV. WASHER M6	3
11	MH 992785634	GALV. WASHER M10	1
12	MH 992763114	NUT M10	1
13	MH 992826076	SPLIT PIN 1.6 X 16	2
14	MH 992785624	GALV. WASHER M8	3
15	MH 796628044	ACC. PEDAL ROD	1
16	MH 063688800	ACC. PEDAL	1

VOLTAS



CLUTCH PEDAL & LINKAGE

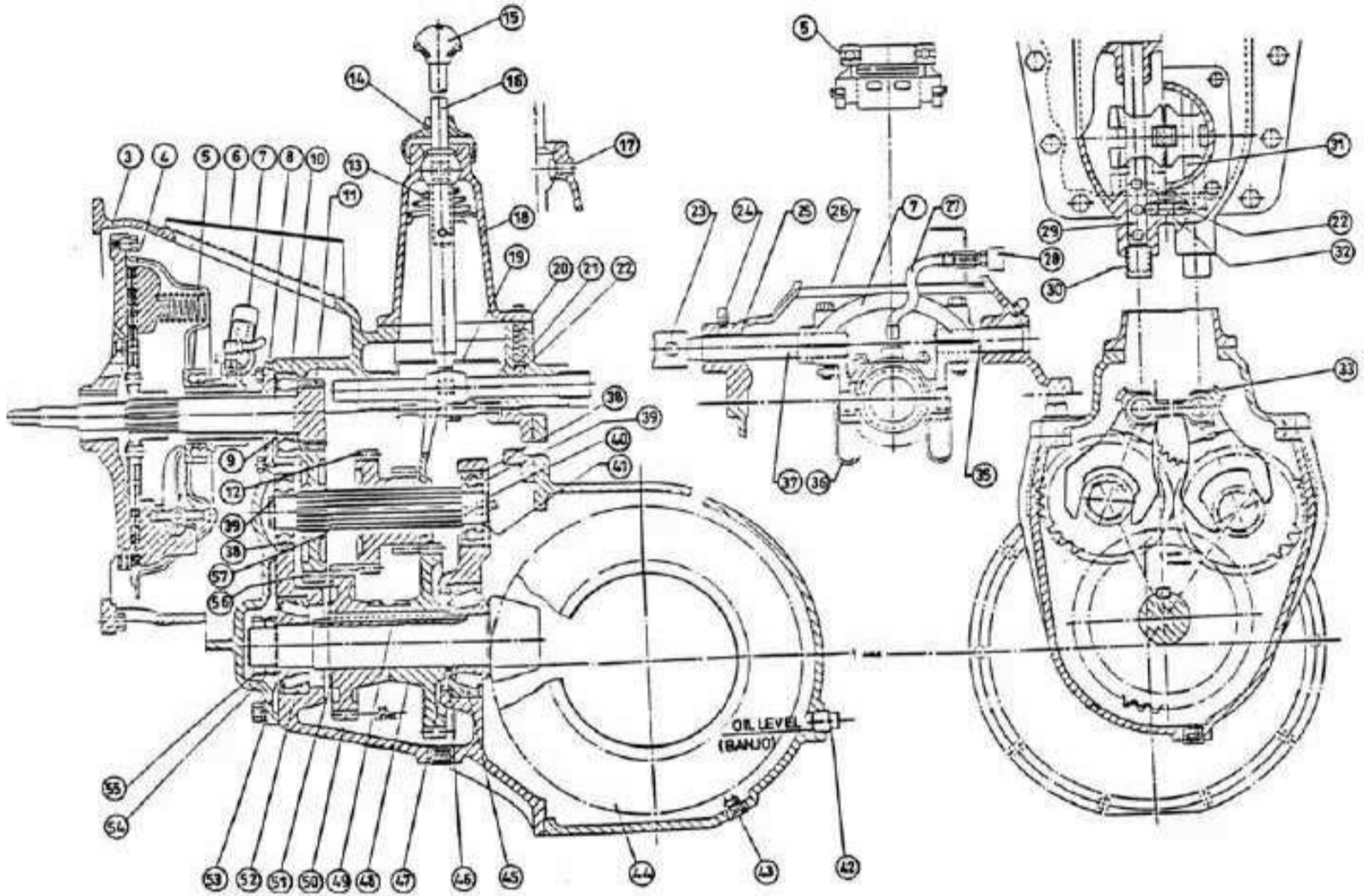
MH 796612233

VOLTAS

CLUTCH PEDAL & LINKAGE**MH 796612233**

ITEM NO.	PART NO.	DESCRIPTION	QTY
1	MH 014671800	HEX SCREW 3 / 8" X 1 ½" LONG	1
2	MH 014936900	HEX NUT 3 / 8"	1
3	MH 016548400	YOKE END	1
4	MH 065376300	CLUTCH PEDAL LEVER	1
5	MH 063681200	PEDAL PAD	1
6	MH 062143700	HEX SCREW	1
-	MH 014936600	HEX NUT 5 / 16"	1
-	MH 0150289	LOCK WASHER 5 / 16"	1
7	MH 023031500	YOKE PIN	2
-	MH 992816049	COTTER PIN	2
8	MH 014973100	HEX. JAM NUT	2
9	MH 796612394	ROD	1
10	MH 066214400	RETURN SPRING	1
11	MH 14228	ANCHOR BRACKET	1
12	MH 992511250	SOC. HD. SCREW	2
13	MH 01968	LEVER	1
14	MH 014599100	YOKE END	1
15	MH 055485100	HEX SCREW 1 / 2" X 1 ½" LONG	2
-	MH 014937200	HEX NUT ½"	2
-	MH 061278200	WASHER ½"	2
16	MH 504101300	BELL CRANK SUPPORT	1
17	MH 796612414	YOKE END	1
18	MH 011775900	BUSHING	1
19	MH 064597100	PIVOT PIN	1
20	MH 062077800	ROLL PIN	1
21	MH 796612193	BELL CRANK	1
22	MH 796412294	YOKE PIN	1
-	MH 992816049	COTTER PIN	1
23	MH 14227	ANCHOR (SPRING)	1
24	MH 796412479	YOKE END	1
25	MH 014973100	HEX JAM NUT	1
26	MH 796612214	ROD	1
27	MH 014972700	HEX JAM NUT 5 / 16" - 16	1
28	MH 015628700	LUBE FITTING	1
29	MH 063541000	PEDAL SHAFT	1
-	MH 992816068	COTTER PIN	1
-	MH 870001234	SHIM WASHER	AR
30	MH 021848800	YOKE PIN	1
-	MH 992816049	COTTER PIN	1

VOLTAS



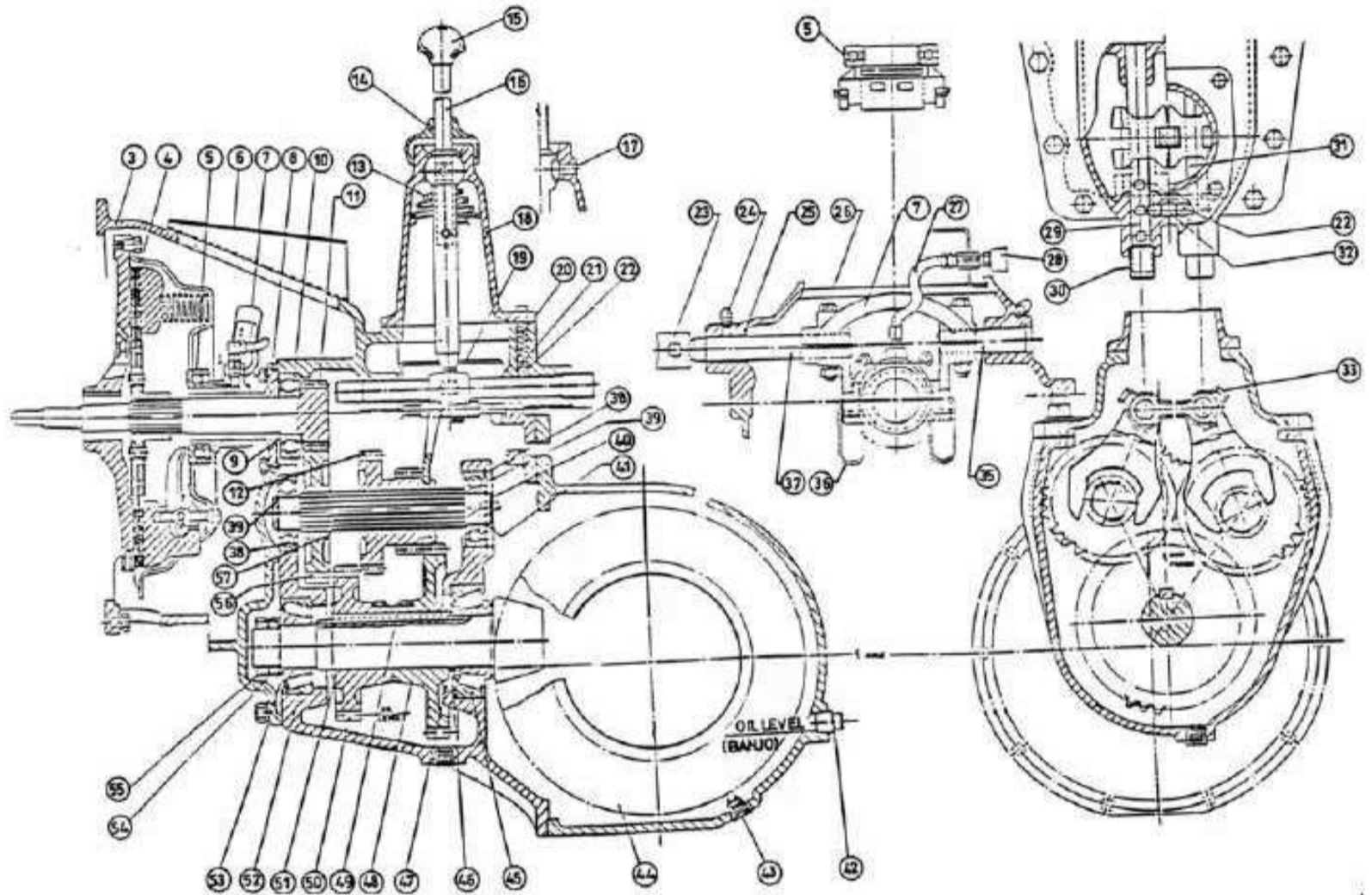
**TRANSMISSION ASSEMBLY
MH 05176**

VOLTAS

TRANSMISSION ASSEMBLY**MH 05176**

ITEM NO.	PART NO.	DESCRIPTION	QTY
3	MH09039	TRANSMISSION HOUSING ASSY	1
4	MH08528	CLUTCH COVER ASSY	1
-	MH08529	CLUTCH DISC	1
5	MH08498	CLUTCH RELEASE BEARING ASSY	1
-	MH08530	CLUTCH RELEASE BEARING	1
6	MH 015630100	VENT COVER	1
-	MH 062151100	SPRING WASHER	4
-	MH 015026000	HEX LOCK NUT	4
7	MH 785779330	SPACER	1
8	MH08527	BEARING SUPPORT CAP	1
-	MH 0622328 00	INTERNAL CIRCLIP	5
9	MH 992831567	EXTERNAL CIRCLIP	1
10	MH 993312107	BEARING	1
11	MH08526	DRIVE PINION SHAFT	1
12	MH 022641200	DUAL GEAR	2
13	MH 015953900	SPRING	1
14	MH 014961200	DUST BOOT	1
15	MH 016483600	LEVER KNOB	1
16	MH 0645937	GEAR SHIFT LEVER ASSL Y	1
-	MH 796402073	GEAR SHIFT LEVER SHAFT LONG	1
-	MH 796402063	GEAR SHIFT LEVER SHORT	1
	MH 015716600	PIN	1
17	MH 016243300	RETAINING KEY	1
18	MH 064976000	SHORT LEVER AND SUPPORT ASSL Y	1
-	MH 015236400	LEVER SUPPORT	1
-	057048200	HEX SCREW 3/8" UNC	4
19	05382	INTER LOCK ASSL Y	1
20	015857800	SPRING FOLLOWER	2
22	01968	BALL	4

VOLTAS



TRANSMISSION ASSEMBLY (MH 05176)

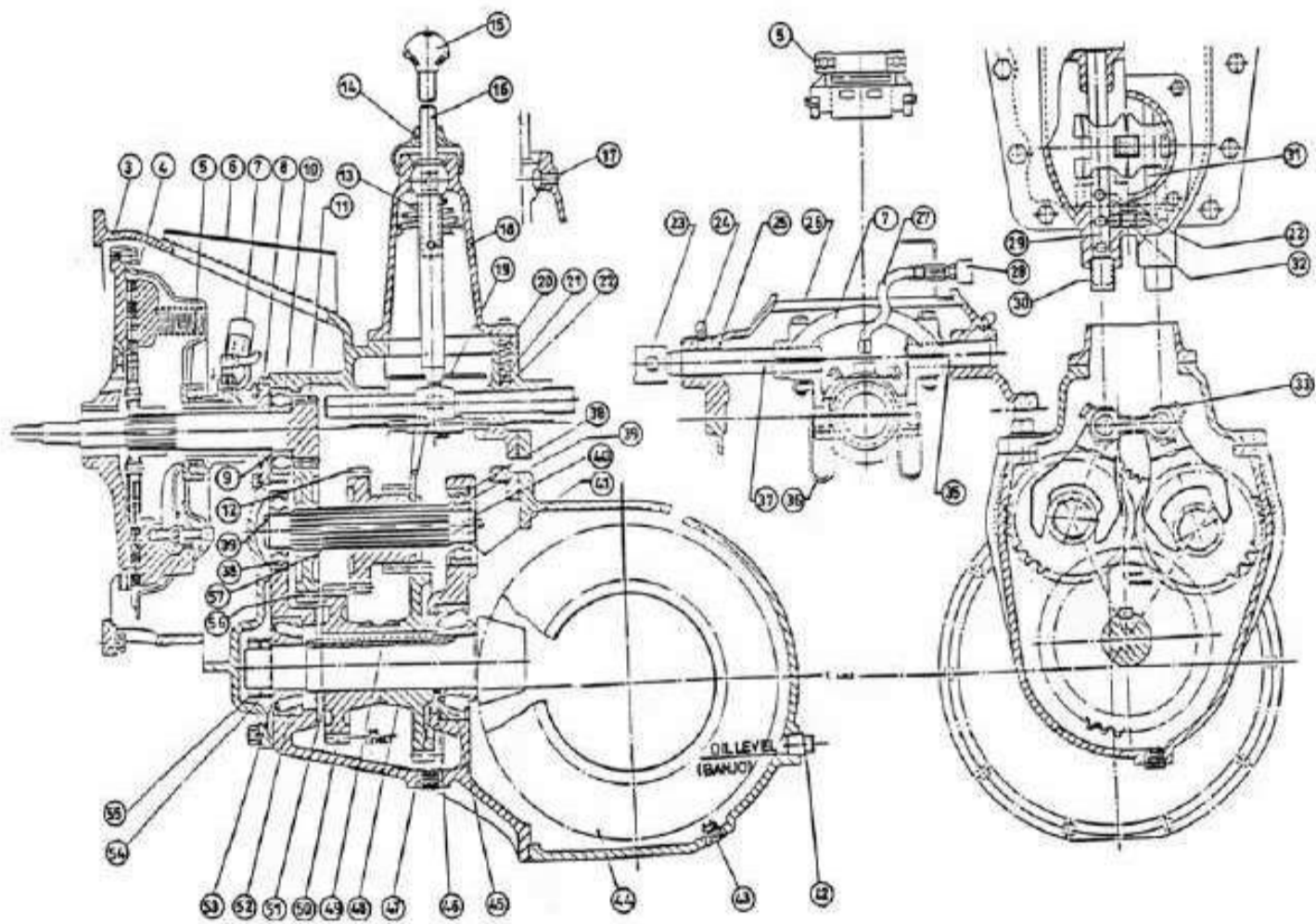
VOLTAS

TRANSMISSION ASSEMBLY (MH 05176)

ITEM NO.	PART NO.	DESCRIPTION	QTY
23	MH 01968	LEVER	1
-	MH 060305300	HEX SCREW 3/8" UNC	1
-	MH 014936900	HEX NUT 3/8" UNC	1
24	-	LUBE FITTING	1
-	MH 016348700	BUSHING	2
26	MH 062236500	HEX SCREW 3/8" UNC	2
27	MH 019848200	LUBRICANT HOSE	1
-	MH 056716800	ADAPTOR	1
28	MH 018478100	GREECE CUP	1
-	MH 018479700	SPL. ELBOW	1
29	MH 018896700	R. H. GEAR SHIFTER BAR	1
30	MH 015445000	GEAR SHIFTER BAR CAP	2
31	MH 018896800	L. H. GEAR SHIFTER BAR	1
32	MH 015720700	INTERLOCKING PIN	2
33	MH 012717300	GEAR SHIFTER FORK	2
34	MH 014669400	SET SCREW 5/16" UNC	2
35	MH 015848800	CLUTCH THROW OUT SHAFT	1
36	MH 015949400	RELEASE BEARING RETURN SPRING	1
37	MH 015848700	CLUTCH THROW OUT SHAFT	1
38	MH 054586100	BALL BEARING	4
39	MH 785325100	SNAP RING	4
40	MH 785324900	INTERMEDIATE SHAFT	2
41	-	SNAP RING	-
42	MH 785204000	OIL LEVEL PLUG	1
43	MH 785204100	MAGNETIC DRAIN PLUG	1
44	MH 09094	DIFFERENTIAL RING GEAR & PINION	1
-	MH 015139400	DIFFERENTIAL BEARING	2
-	MH 015818800	DIFFERENTIAL BEARING RETAINER	2
-	MH 015416100	COTTER PIN	2
45	MH 993361060	PINION BEARING	1

<https://www.forkliftpdfmanuals.com/>

VOLTAS



TRANSMISSION ASSEMBLY

MH 05176

VOLTAS

TRANSMISSION ASSEMBLY

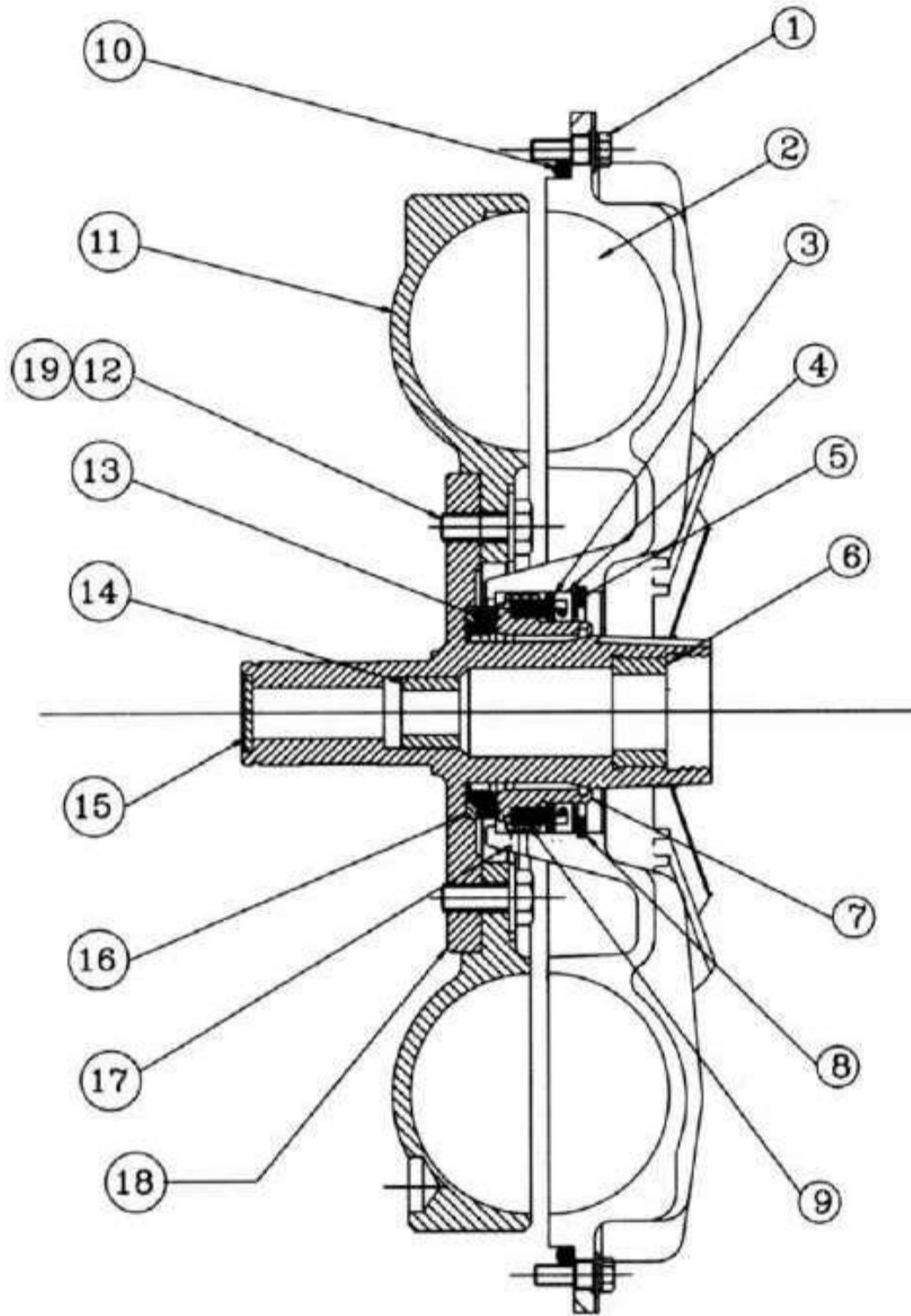
ITEM NO.	PART NO.	MH 05176 DESCRIPTION	QTY
46	MH 03903	SHIM WASHER 0.075" THICK	+ AR
-	MH 03904	SHIM WASHER 0.070" THICK	+ AR
-	MH 03905	SHIM WASHER 0.065" THICK	+ AR
-	MH 03906	SHIM WASHER 0.060" THICK	+ AR
-	MH 03907	SHIM WASHER 0.055" THICK	+ AR
-	MH 03908	SHIM WASHER 0.050" THICK	+ AR
-	MH 015173060	SHIM WASHER 0.100" THICK	+ AR
-	MH 015173070	SHIM WASHER 0.105" THICK	+ AR
-	MH 015173080	SHIM WASHER 0.110" THICK	+ AR
47	MH 08871	GEAR SPACER	1
48	MH 08858	LOW GEAR (42 TEETH)	1
49	MH 09095	KEY	1
50	MH 08859	HIGH GEAR (33 TEETH)	1
51	MH 992831591	SNAP RING	1
52	MH 993361178	PINION BEARING	1
53	MH 056262200	KEYED WASHER	1
54	MH 993396018	BEARING LOCK WASHER	1
55	MH 993395018	BEARING LOCK NUT	2
56	MH 015534600	INTERMEDIATE GEAR	2
57	MH 785325200	SNAP RING	2
58	MH 015630100	BREATHER	1
59	MH 08522	DRIVE PLATE	1

* ITEM NO. 18 CONSISTS OF (1) MH 064593700, (2) MH 016483600,
(3) MH 014196200 (4) MH 016246600 AND (5) MH 015236400.

** SERVICED UNDER PART NO. 064593700

+ AR MEANS "AS REQUIRED"

VOLTAS



FLUID COUPLING ASSEMBLY - TWIN BEARING

VOLTAS

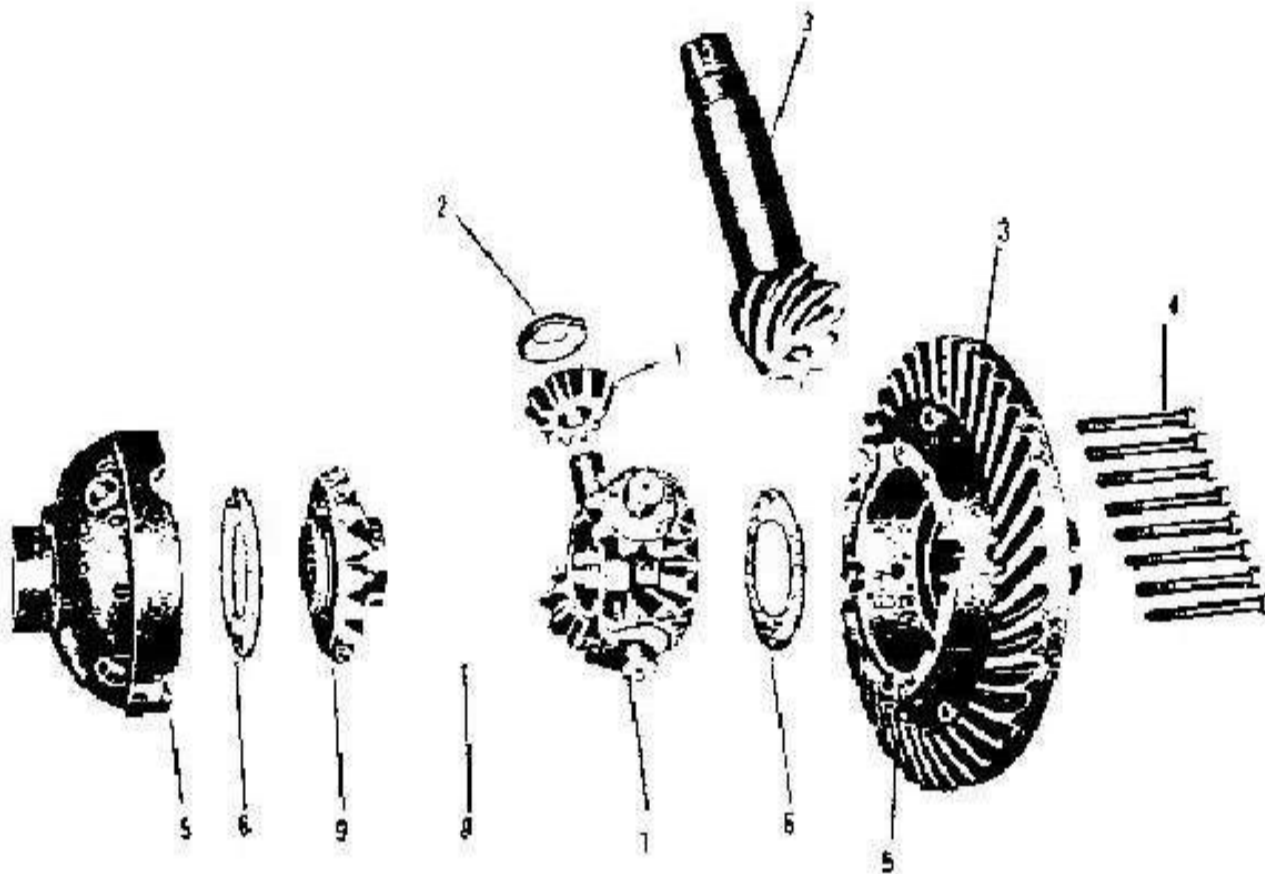
FLUID COUPLING ASSEMBLY – TWIN BEARING

ITEM NO.	PART NO.	DESCRIPTION	QTY
-	MH 785773200	FLUID COUPLING ASSEMBLY	1
1	MH 062232800	HEX HD. SCREW	* 18
-	MH 061277900	WASHER	* 18
2	MH 510628800	IMPELLER ASSY.	** 1
3	MH 023666000	RETAINING WASHER	** 1
4	MH 016172900	RUBBER ELEMENT	** 1
-	MH 015968900	GARTER SPRING	** 1
5	MH 023665900	BACKING WASHER	** 1
6	MH 016368300	BUSHING	** 1
7	MH 012334900	NOSE PIECE	** 1
8	MH 023344800	INTERNAL SNAP RING	** 1
9	MH 023411300	COMPRESSION SPRING	** 8
10	MH 500494904	RING GASKET	1
11	MH 510622800	RUNNER	1
12	MH 059716300	HEX HD SCREW	** 8
-	MH 061277900	WASHER	** 8
13	MH 012783900	MATING RING	** 1
14	MH 016349300	BUSHING	** 1
15	MH 510625800	EXPANSION PLUG	1
16	MH 016132300	MATING RING WASHER	** 1
17	MH 510624800	HEADED PIN	1
-	MH 03557	HUB FOR FLUID COUPLING	1

* MINIMUM ORDER QUANTITY ACCEPTABLE – 10 NOS. EACH ITEM

** NOT SERVICED SEPARATELY, ORDER SEAL KIT PART NO. 510488800

VOLTAS



DIFFERENTIAL, RING GEAR & PINION ASSEMBLY

VOLTAS

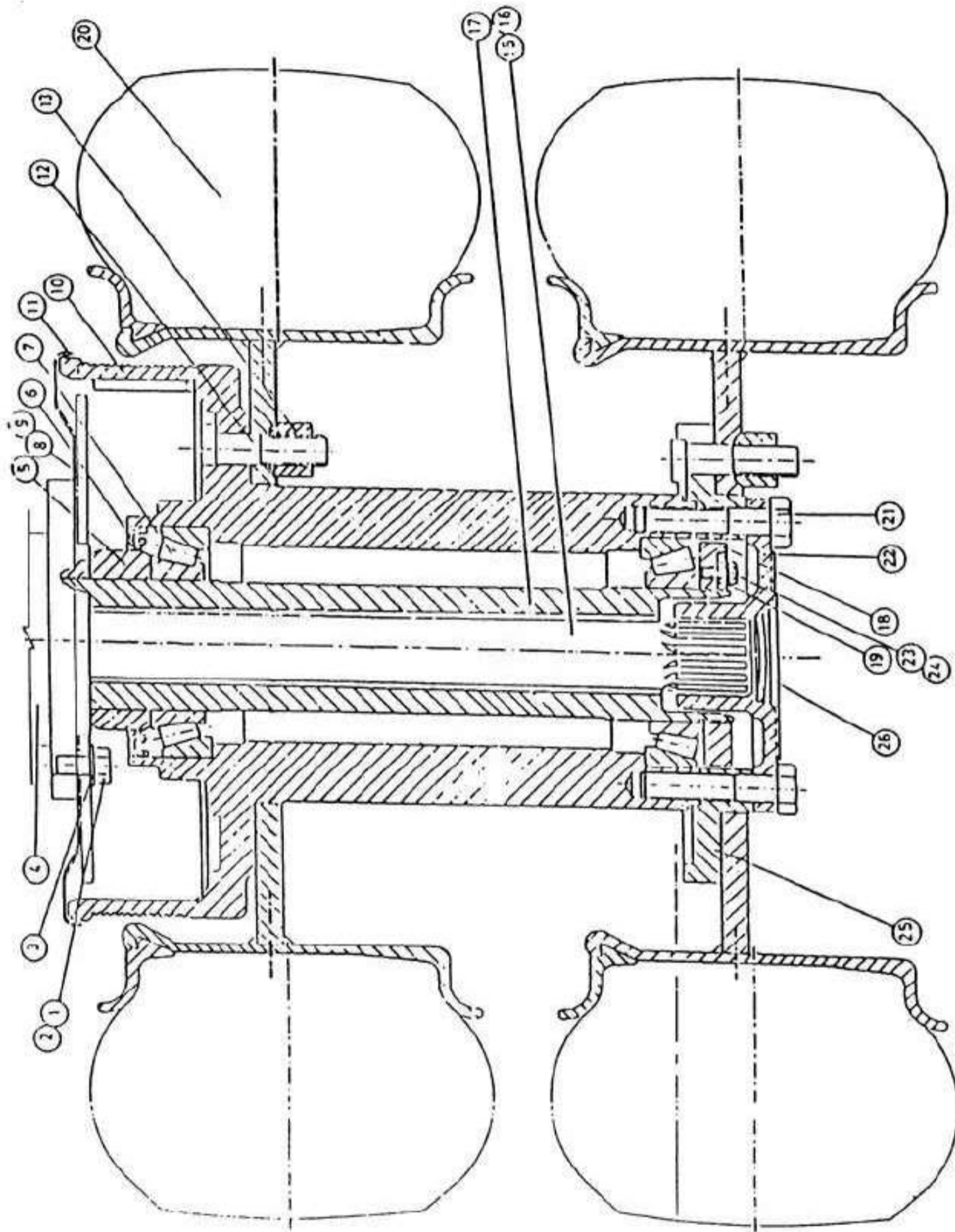
DIFFERENTIAL, RING GEAR & PINION ASSEMBLY

ITEM NO.	PART NO.	DESCRIPTION	QTY.
	MH 016873800	DIFFERENTIAL WITHOUT RING GEAR & PINION	1
1	MH 870000943	BEVEL PINION	4
2	MH 025607600	PINION THRUST WASHER	4
3	MH 11241	RING GEAR AND PINION ASSLY	1SET
4	MH 033422600	HEX. HD. SCREW	12
5	MH 870000962	DIFFERENTIAL CASE SHORT	1
	MH 870000971	DIFFERENTIAL CASE LONG	1
6	MH 025607500	SIDE GEAR THRUST WASHER	2
7	MH 870000933	DIFFERENTIAL SPIDER	1
8	MH 016113600	SPACER	1
9	MH 870000952	BEVEL GEAR	1

**HARDWARE FOR CROWN WHEEL MOUNTING
ON DIFFERENTIAL CASE (not shown)**

	MH 515412100	HEX. HD. SCREW	12
	MH 032228900	WASHER BAIL WIRE	12

VOLTAS



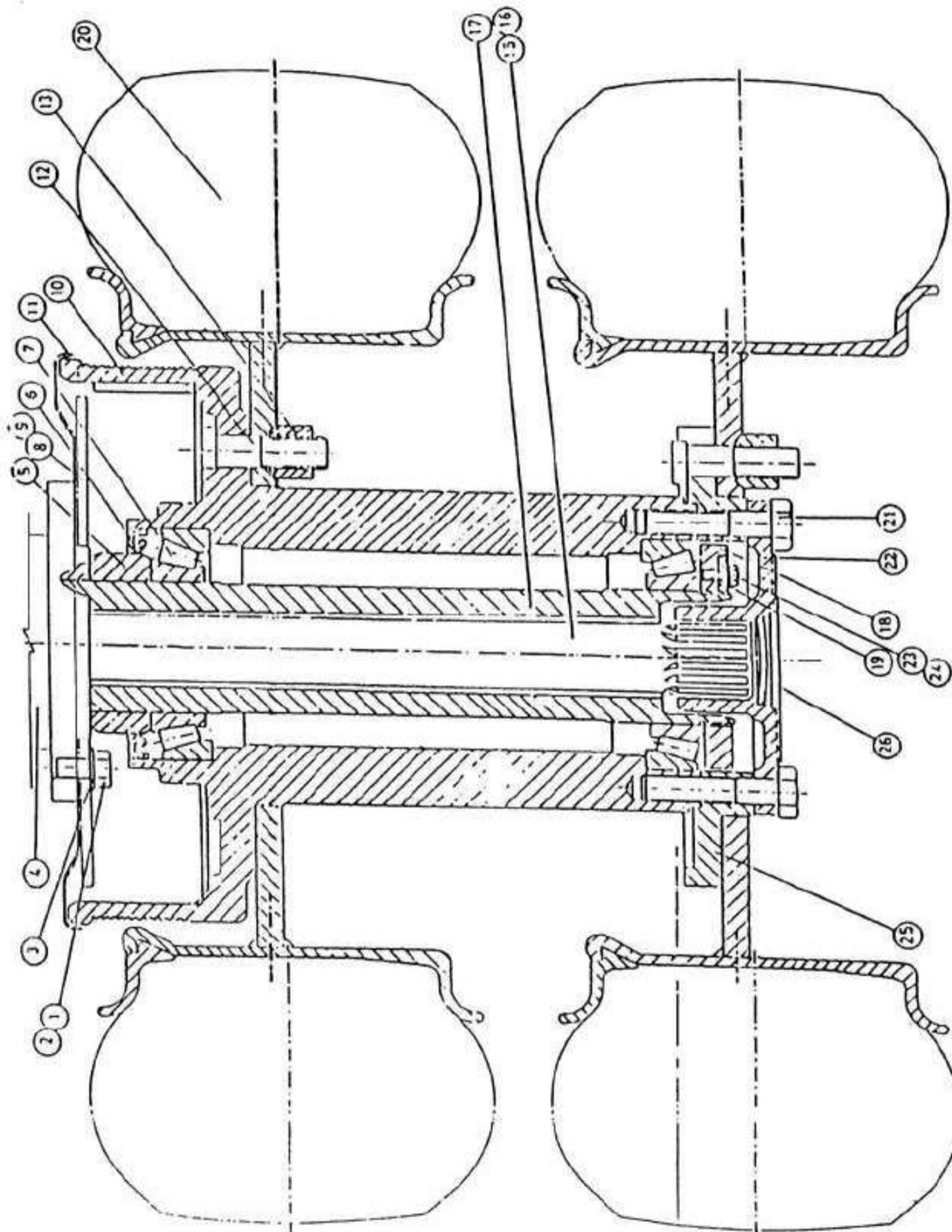
DRIVE AXLE ASSEMBLY DV 506

VOLTAS

DRIVE AXLE ASSEMBLY DV 506

ITEM NO.	PART NO.	DESCRIPTION	QTY.
1	MH 014712800	HEX HD. SCREW	12
2	MH 014713100	HEX HD. SCREW	4
3	MH 061279100	HARDENED WASHER	16
4	MH 08022	DRIVE AXLE HOSING	1
5	MH 08680	SLEEVE	2
6	MH 09602	OIL SEAL	2
7	MH 993361146	TAPER ROLLAR BEARING	4
8	MH40838	BRAKE ASSY. R. H.	1
9	MH40837	BRAKE ASSY. L. H.	1
10	MH 08622	BRAKE DRUM	2
11	MH 00211	COVER PLATE	2
12	MH 791340034	WHEEL STUD	24
13	MH 08724	WHEEL NUT	24
14	MH 08725	WASHER	24
15	MH 796602079	DRIVE SHAFT (LONG)	1
16	MH 796602109	DRIVE SHAFT (SHORT)	1
17	MH 00194	DRIVE AXLE SLEEVE	2
18	MH 00205	BEARING NUT	2
19	MH 785256600	LOCK PLATE	2
20	MH 11412PD6FC	TYRE ASSY. (PNEUMATIC) *SEE NOTE	4
21	MH 11412BC6FC	TYRE ASSY. (BEAR CAT) *...DO...	4
22	MH 992175507	HEX HD. SCREW	16
23	MH 07565	HUB FLANGE	2
24	MH 992791515	SPRING WASHER	2
25	MH 992371212	HEX HD. SCREW	2
26	MH 07566	ADAPTOR RING	2
27	MH 870000374	STOP PLATE	2

VOLTAS



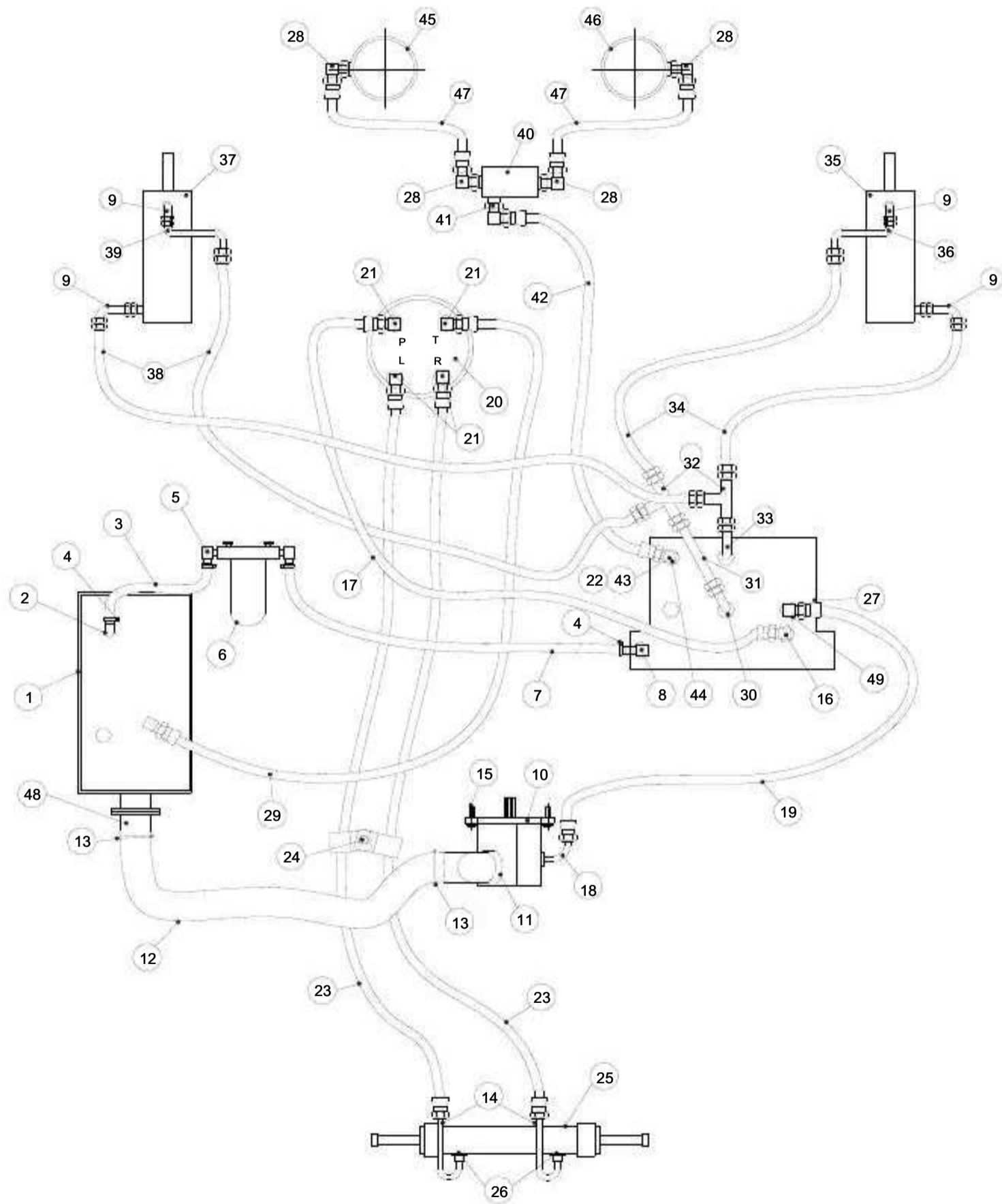
DRIVE AXLE ASSEMBLY DV 506

VOLTAS

*** 20 ITEM CONSIST OF FOLLOWING PARTS**

ITEM NO.	PART NO.	DESCRIPTION	QTY.
1	MH 07127	PNUEMATIC TYRES (28x9x15)	1
	MH 785765901	BEARCAT TYRES (28x9x15)	1
2	MH 07128	TYRE TUBE FOR PNUEMATIC TYRES	1
3	MH 07129	TYRE FLAP FOR PNUEMATIC TYRES	1
4	MH 07125	RIM ASSLY (PNUEMATIC TYRES)	1
5	MH 785295700	DRIVE RIM STUD	5
6	MH 785764100	HEX. NUT	5
7	MH 992791545	SPRING WASHER	5

VOLTAS



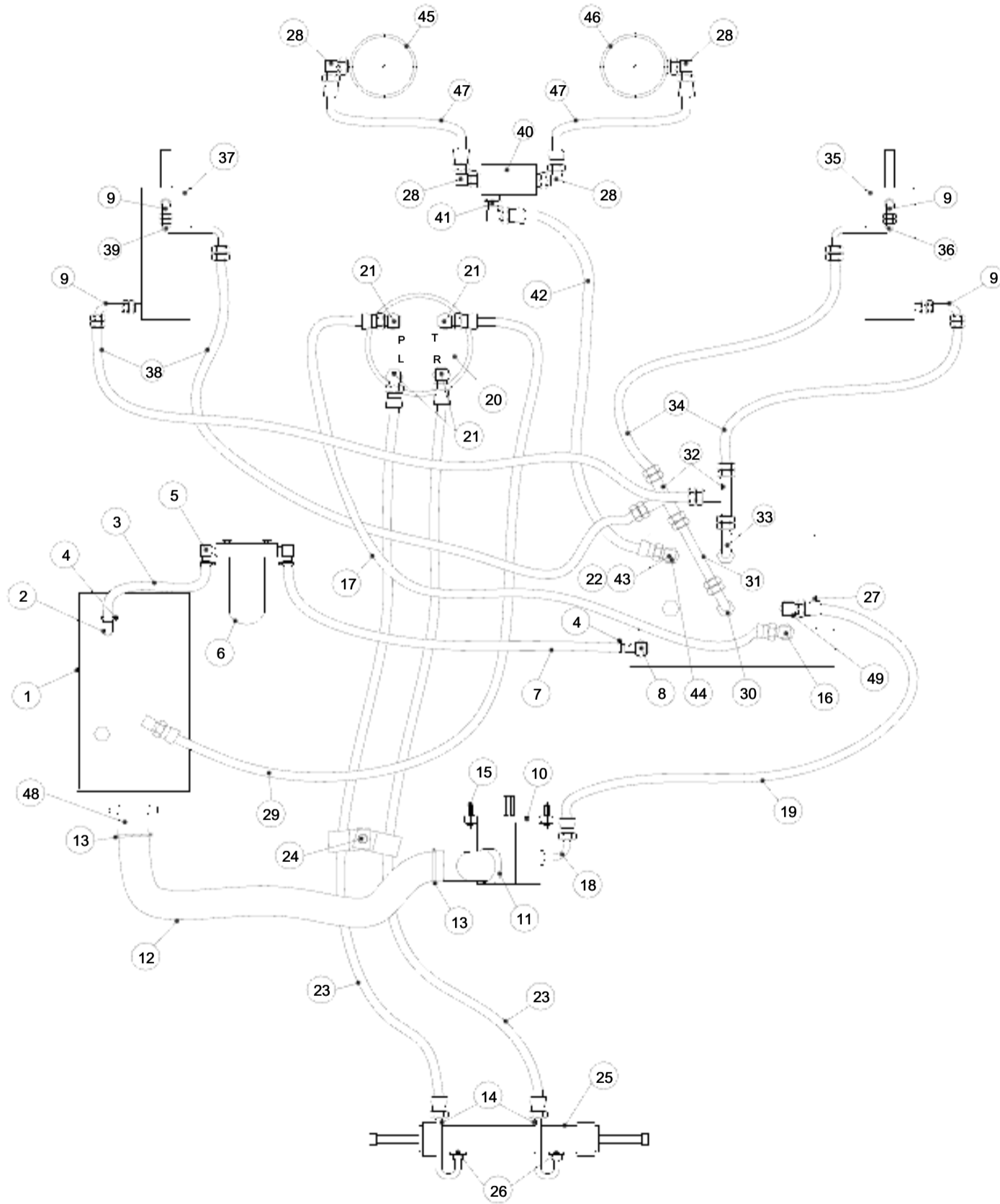
**HYDRAULIC SYSTEM
(MH 18263)**

VOLTAS

HYDRAULIC SYSTEM (MH 18263)

ITEM NO.	PART NO.	DESCRIPTION	QTY
1	MH 796606412	HYDRAULIC TANK	1
	MH 796606412-80	SEALKIT	1
2	MH 796606164	90□□□ ELBOW	1
3	MH 785756602	HOSE (1") 200 LG.	1
4	MH 44Z12D8	HOSE CLIP UPTO 1.75"	4
5	MH 785397900	90□ ELBOW	2
6	MH 785374400	MICRONIC FILTER	1
7	MH 785756602	HOSE (1") 575 LG.	1
8	MH 18126	90□ BARBED ELBOW	1
	MH 993463075	`O' RING	1
9	MH 870001109	90□ ELBOW	4
	MH 993463041	' O ' RING	4
10	MH 17705	HYDRAULIC PUMP (DOWTY)	1
	MH 17705-80	SEALKIT	2
11	MH 18125	SUCTION FLANGE	1
	MH 993461072	`O' RING	1
	MH 992211169	HEX. BOLT	4
	MH 992785114	SPRING WASHER	4
12	MH 785756605	HOSE	1
13	MH 993728160	HOSE CLIP	2
14	MH 17360	TRAIL AXLE HYD. TUBE	2
15	MH 992571379	SOC. HD. SCREW	2
	MH 992791535	SPRING WASHER	2
	MH 992781634	WASHER	2
16	MH 993750512	90□ BARBED ELBOW	1
	MH 993463064	DOWTY WASHER	1
17	MH 798622029	HOSE	1
18	MH 18124	FLANGE TYPE ELBOW	1
	MH 44002602	FLANGE HALF 3/4"	2
	MH 993461031	O RING	4
	MH 992211169	HEX. BOLT	4
	MH 992785114	SPRING WASHER	4
19	MH 993832846	HOSE	1
20	MH 07286	STEERING CONTROL UNIT (SCU)	1
	MH 07286-80	STEERING UNIT -SEALKIT	1
21	MH 798622054	STRAIGHT ADAPTOR	4
	MH 993463064	`O' RING -3/4"	4
22	MH 059803200	90□ ELBOW (SWIVEL)	1
23	MH 08002	HOSE	2
24	MH 11672	STRIGHT HOSE CLAMP BRACKET	2
	MH 992271297	HEX. HD. BOLT	1
	MH 992761013	HEX. NUT	1

VOLTAS



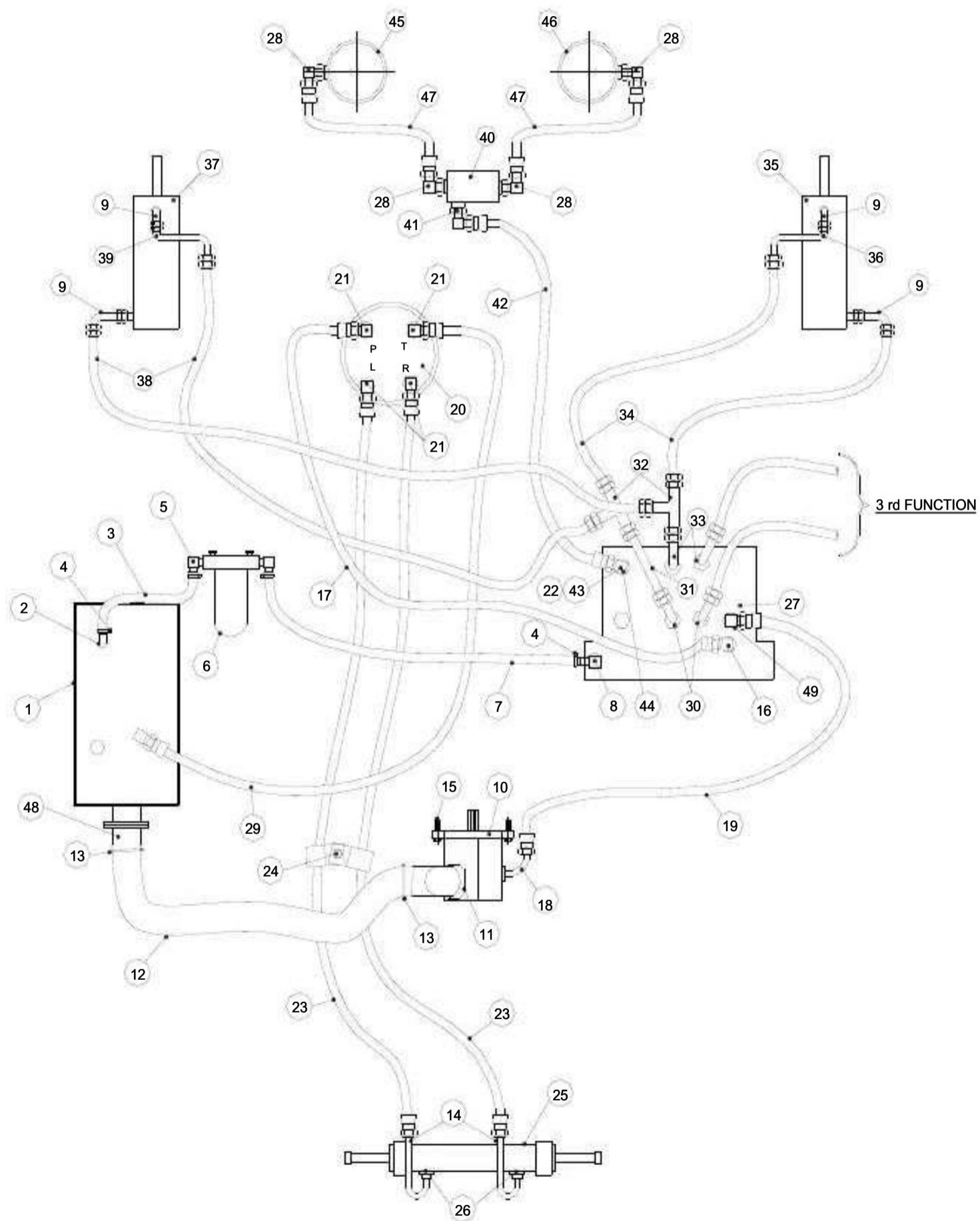
**HYDRAULIC SYSTEM
(MH 18263)**

VOLTAS

HYDRAULIC SYSTEM (MH 18263)

ITEM NO.	PART NO.	DESCRIPTION	QTY
	MH 992781624	WASHER	1
	MH 992791525	SPRING WASHER	1
25	MH 11286	STEERING CYLINDER ASSY.	1
26	MH 44Z472D6	STRAIGHT ADAPTOR	2
	MH 993463046	`O' RING	2
27	MH 17803	2-SPOOL CONTROL VALVE	1
	MH 17803-90	SEALKIT	1
28	MH 993765270	90° ELBOW	4
	MH 993463092	`O' RING	4
29	MH 798622029	H.P. HOSE	1
30	MH 785759402	HYD. FITTING 90°	1
	MH 993463075	`O' RING	1
31	MH 796406083	STRAIGHT TUBE	1
32	MH 44Z487D5	TEE	2
33	MH 785757500	HYD. FITTING 90°	1
	MH 993463075	`O' RING	1
34	MH 993832650	HOSE	2
35	MH 796614069	TILT CYLINDER R.H. (WIPRO)	1
	MH 796614253	TILT CYLINDER R.H. (DANTAL)	1
36	MH 796406053	TUBE R.H.	1
37	MH 796614032	TILT CYLINDER L.H. (WIPRO)	1
	MH 796614243	TILT CYLINDER L.H. (DANTAL)	1
38	MH 993832692	HOSE	2
39	MH 796406043	TUBE L.H.	1
40	MH 09658	CYLINDER LOWERING BLOCK	1
	MH 992175387	HEX. BOLT	2
	MH 992761014	HEX. NUT	2
	MH 992791525	SPRING WASHER	2
	MH 992785634	WASHER	2
41	MH 03263	HYD. FITTING 90°	1
	MH 993463092	`O' RING	1
42	MH 993832846	H.P. HOSE	1
43	MH 797906394	STRAIGHT ADAPTOR	1
	MH 993463075	`O' RING	1
44	MH 09391	PLUG (TEST PRESS)	1
45	REF MAST	HOIST CYLINDER L.H.	1
46	REF MAST	HOIST CYLINDER R.H.	1
47	MH 03284	HOSE	2
48	MH 18122	SUCTION FLANGE (tank)	1
49	MH 993765268	HYD. FITTING 90°	1
	MH 993463075	`O' RING	1

VOLTAS

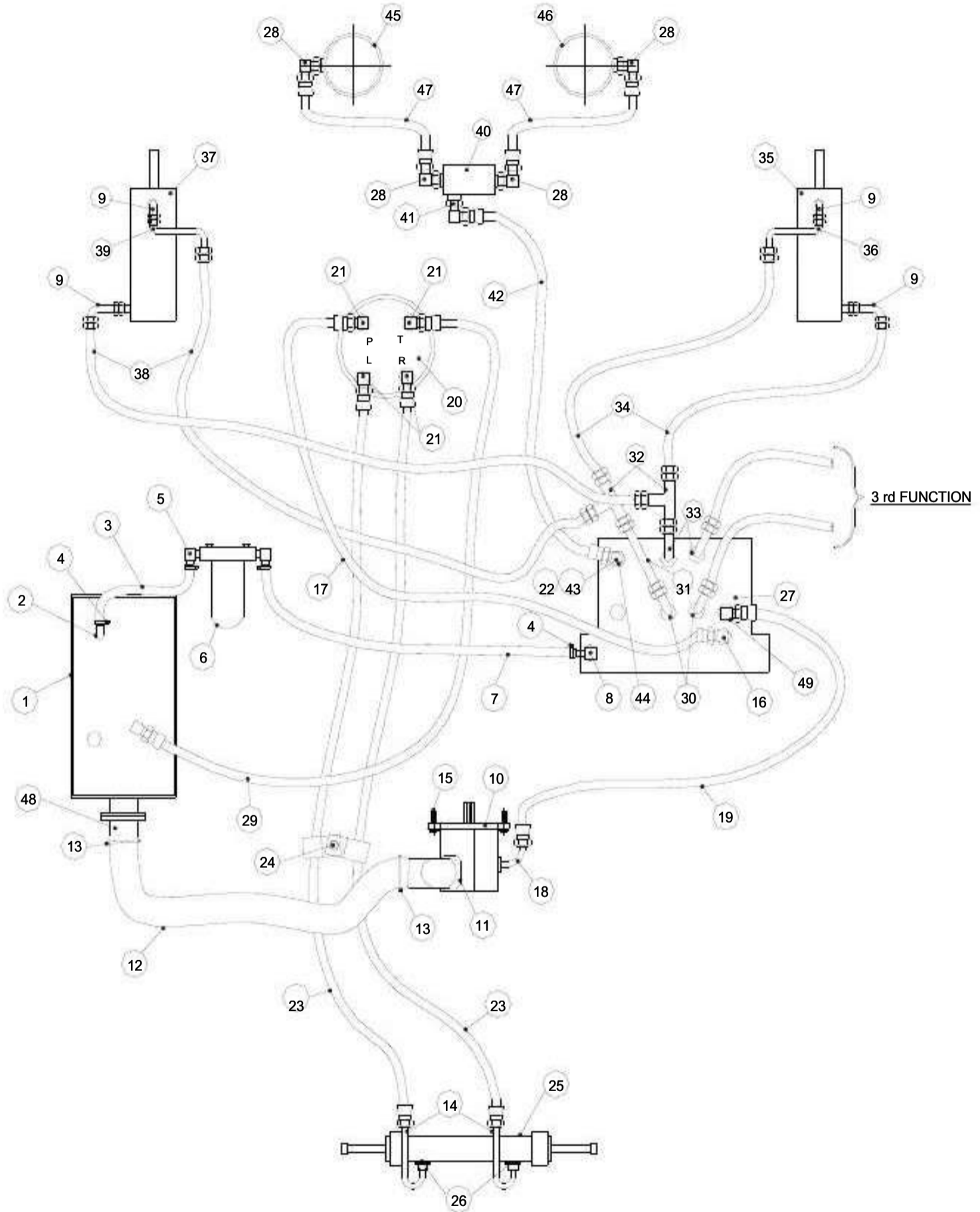


**HYDRAULIC SYSTEM
(MH 18264)**

VOLTAS

HYDRAULIC SYSTEM (MH 18264)			
ITEM NO.	PART NO.	DESCRIPTION	QTY
1	MH 796606412	HYDRAULIC TANK	1
	MH 796606412-80	SEALKIT	1
2	MH 796606164	90□□□ ELBOW	1
3	MH 785756602	HOSE (1") 200 LG.	1
4	MH 44Z12D8	HOSE CLIP UPTO 1.75"	4
5	MH 785397900	90□ ELBOW	2
6	MH 785374400	MICRONIC FILTER	1
7	MH 785756602	HOSE (1") 575 LG.	1
8	MH 18126	90□ BARBED ELBOW	1
	MH 993463075	`O' RING	1
9	MH 870001109	90□ ELBOW	4
	MH 993463041	' O ' RING	4
10	MH 17705	HYDRAULIC PUMP (DOWTY)	1
	MH 17705-80	SEALKIT	2
11	MH 18125	SUCTION FLANGE	1
	MH 993461072	`O' RING	1
	MH 992211169	HEX. BOLT	4
	MH 992785114	SPRING WASHER	4
12	MH 785756605	HOSE	1
13	MH 993728160	HOSE CLIP	2
14	MH 17360	TRAIL AXLE HYD. TUBE	2
15	MH 992571379	SOC. HD. SCREW	2
	MH 992791535	SPRING WASHER	2
	MH 992781634	WASHER	2
16	MH 993750512	90□ BARBED ELBOW	1
	MH 993463064	DOWTY WASHER	1
17	MH 798622029	HOSE	1
18	MH 18124	FLANGE TYPE ELBOW	1
	MH 44QQ26D2	FLANGE HALF 3/4"	2
	MH 993461051	`O' RING	1
	MH 992211169	HEX. BOLT	4
	MH 992785114	SPRING WASHER	4
19	MH 993832846	HOSE	1
20	MH 07286	STEERING CONTROL UNIT (SCU)	1
	MH 07286-80	STEERING UNIT -SEALKIT	1
21	MH 798622054	STRAIGHT ADAPTOR	4
	MH 993463064	`O' RING -3/4"	4
22	MH 059803200	90□ ELBOW (SWIVEL)	1
23	MH 08002	HOSE	2
24	MH 11672	STRIGHT HOSE CLAMP BRACKET	2
	MH 992271297	HEX. HD. BOLT	1
	MH 992761013	HEX. NUT	1
	MH 992781624	WASHER	1

VOLTAS



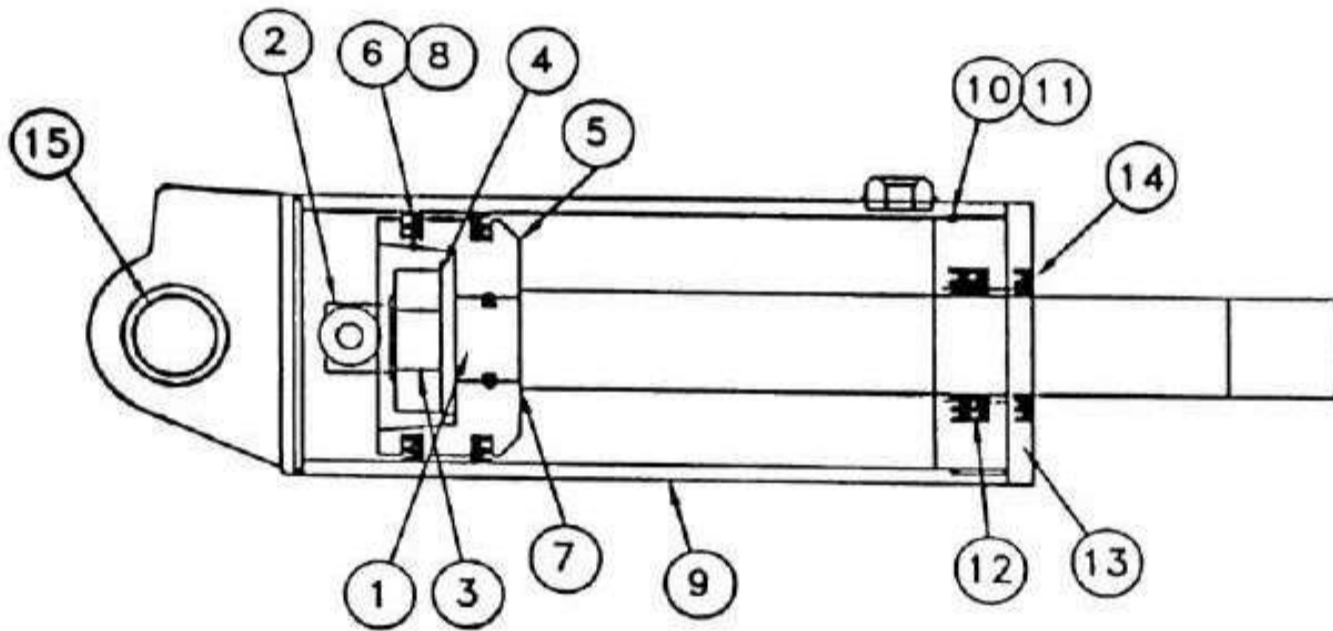
**HYDRAULIC SYSTEM
(MH 18264)**

VOLTAS

HYDRAULIC SYSTEM (MH 18264)

ITEM NO.	PART NO.	DESCRIPTION	QTY
	MH 992791525	SPRING WASHER	1
25	MH 11286	STEERING CYLINDER ASSY.	1
26	MH 44Z472D6	STRAIGHT ADAPTOR	2
	MH 993463046	`O' RING	2
27	MH 17804	3-SPOOL CONTROL VALVE	1
	MH 17804-90	SEALKIT	1
28	MH 993765270	90° ELBOW	4
	MH 993463092	`O' RING	4
29	MH 798622029	H.P. HOSE	1
30	MH 785759402	HYD. FITTING 90°	2
	MH 993463075	`O' RING	2
31	MH 796406083	STRAIGHT TUBE	1
32	MH 44Z487D5	TEE	2
33	MH 785757500	HYD. FITTING 90°	2
	MH 993463075	`O' RING	2
34	MH 993832650	HOSE	2
35	MH 796614069	TILT CYLINDER R.H. (WIPRO)	1
	MH 796614253	TILT CYLINDER R.H. (DANTAL)	1
36	MH 796406053	TUBE R.H.	1
37	MH 796614032	TILT CYLINDER L.H. (WIPRO)	1
	MH 796614243	TILT CYLINDER L.H. (DANTAL)	1
38	MH 993832692	HOSE	2
39	MH 796406043	TUBE L.H.	1
40	MH 09658	CYLINDER LOWERING BLOCK	1
	MH 992175387	HEX. BOLT	2
	MH 992761014	HEX. NUT	2
	MH 992791525	SPRING WASHER	2
	MH 992785634	WASHER	2
41	MH 03263	HYD. FITTING 90°	1
	MH 993463092	`O' RING	1
42	MH 993832846	H.P. HOSE	1
43	MH 797906394	STRAIGHT ADAPTOR	1
	MH 993463075	`O' RING	1
44	MH 09391	PLUG (TEST PRESS)	1
45	REF MAST	HOIST CYLINDER L.H.	1
46	REF MAST	HOIST CYLINDER R.H.	1
47	MH 03284	HOSE	2
48	MH 18122	SUCTION FLANGE (tank)	1
49	MH 993765268	HYD. FITTING 90°	1
	MH 993463075	`O' RING	1

VOLTAS



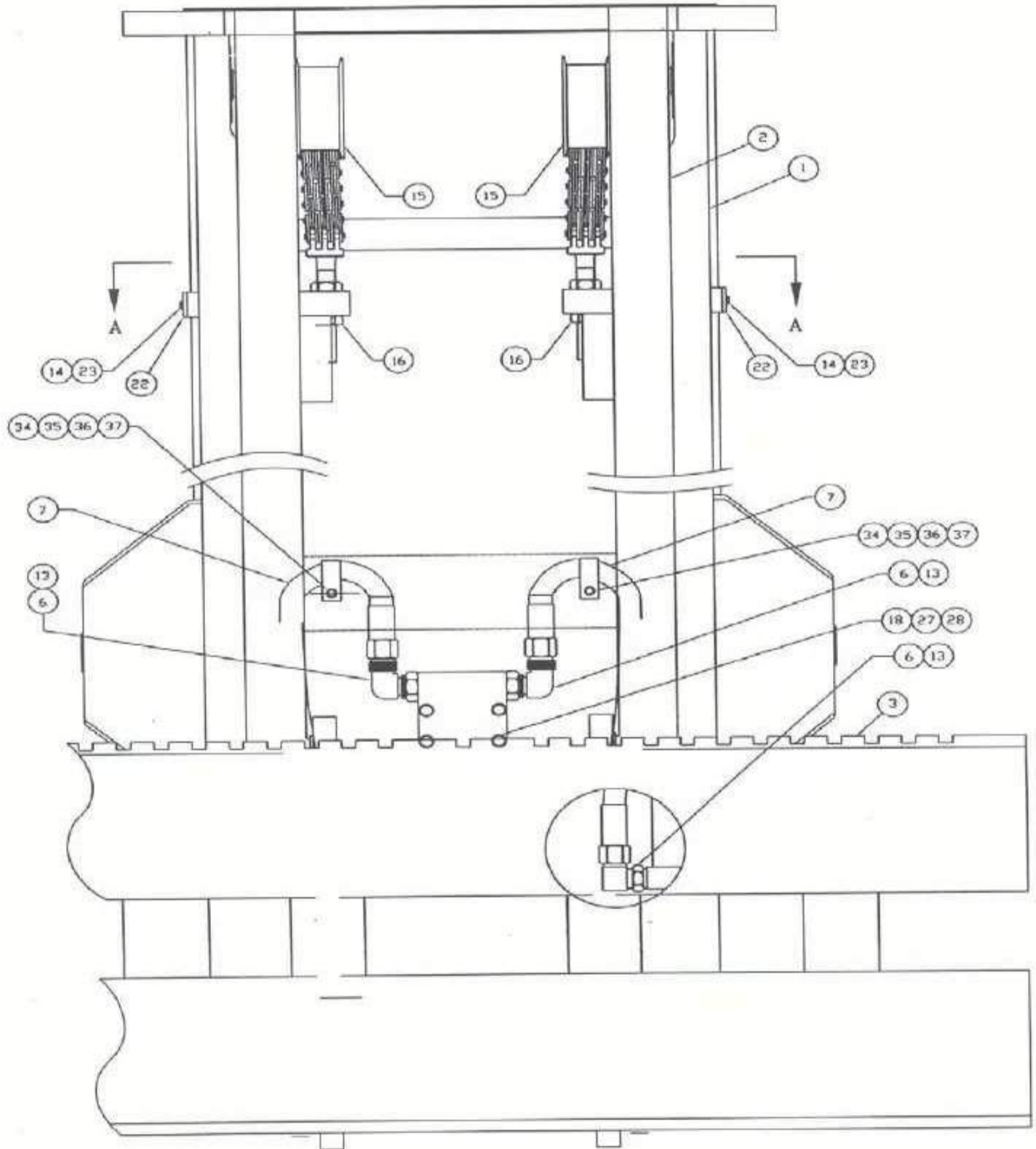
TILT CYLINDER ASSY.

VOLTAS

TILT CYLINDER ASSY.

SR. NO.	PART NO.	DESCRIPTION	QTY.
	MH 796614243	TILT CYL LH	1
	MH 796614243-650	SEAL KIT	1
	MH 796614253	TILT CYL RH	1
	MH 796614243-650	SEAL KIT	1

VOLTAS



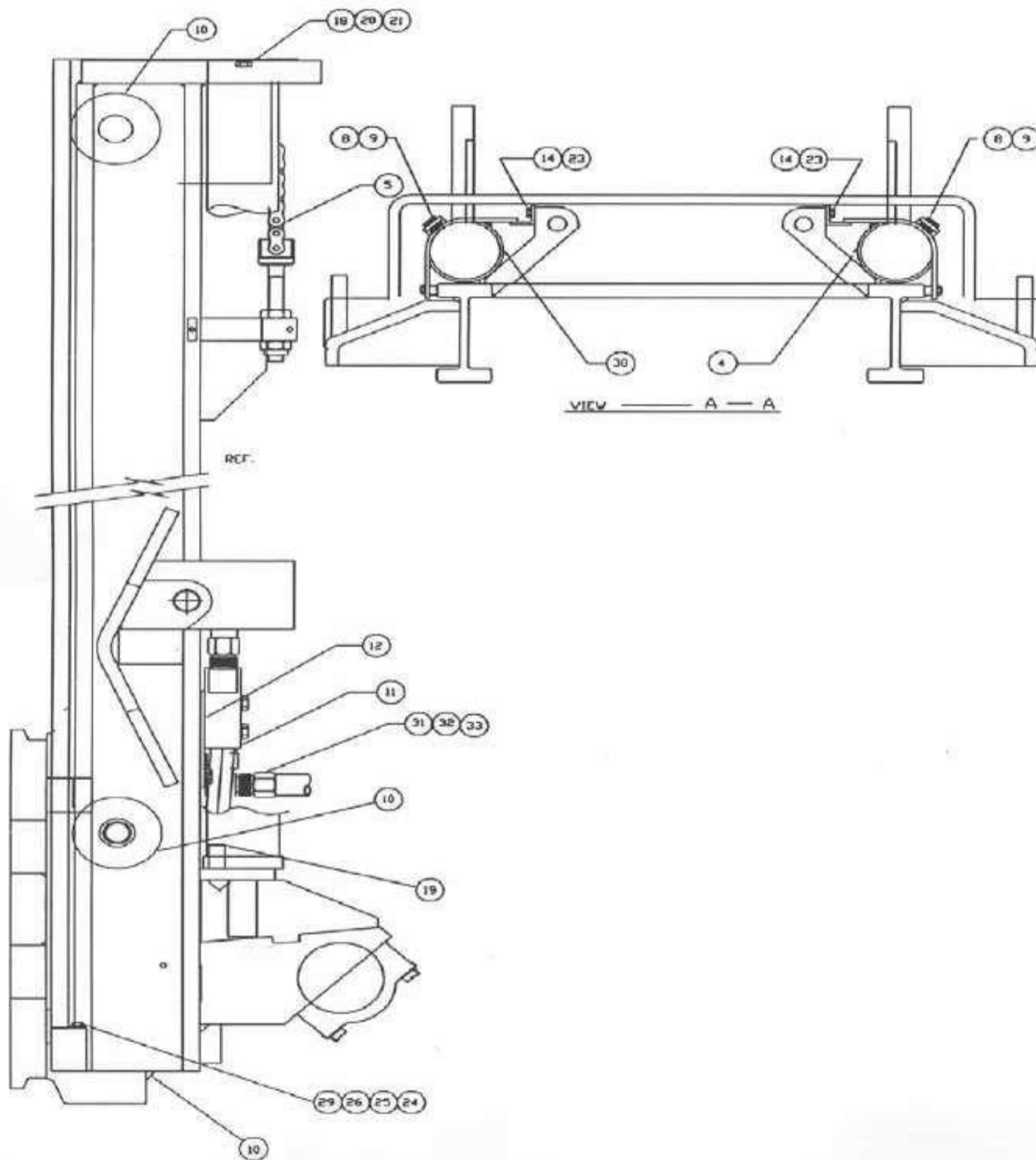
HV MAST ASSY.

VOLTAS

HV MAST ASSY.

ITEM NO.	PART NO.	DESCRIPTION	QTY
*1	MH 796619181	STATIONARY WELDMENT	1
*2	MH 09379	ELEVATING WELDMENT	1
3	MH 796620011S	CARRIAGE WELDMENT	1
*4	MH 17735	HYDRAULIC CYLINDER – LH (DANTAL)	1
	MH16204-650	SEAL KIT	1
	MH 796627142	HYDRAULIC CYLINDER - LH (WIPRO)	1
	MH 796627142-80	SEAL KIT	1
*5	MH 10248	CHAIN ASSEMBLY	2
6	MH 993765270	ELBOW ADAPTOR	4
7	MH 03284	HOSE ASSEMBLY	2
8	MH 501938901	SOCKET HEAD SCREW – M16	2
9	MH 992791565	SPRING WASHER – M16	2
10	MH 796625134	LOAD ROLLER ASSEMBLY	6
11	MH 09658M	MANIFOLD	1
12	MH 09390	BRACKET – MANIFOLD MTG.	1
13	MH 993463092	'O' RING	4
14	MH 992791525	SPRING WASHER M8	4
15	MH 05293	CHAIN SHEAVE BEARING ASY	2
16	MH 992771120	HEX NUT –M22	4
17	MH 11470	ROLLER THRUST	4
18	MH 992791535	SPRING WASHER M10	6
19	MH 507758100	DOWEL PIN	2
20	MH 5066111	WASHER- SPECIAL	2
21	MH 992276377	HEX HEAD SCREW M10	2
22	MH 09383	CLAMP WELDMENT – CYL SUPPORT	2
23	MH 992271294	HEX HEAD SCREW – M8	4
24	MH 5023131	WEAR STRIP	2

VOLTAS



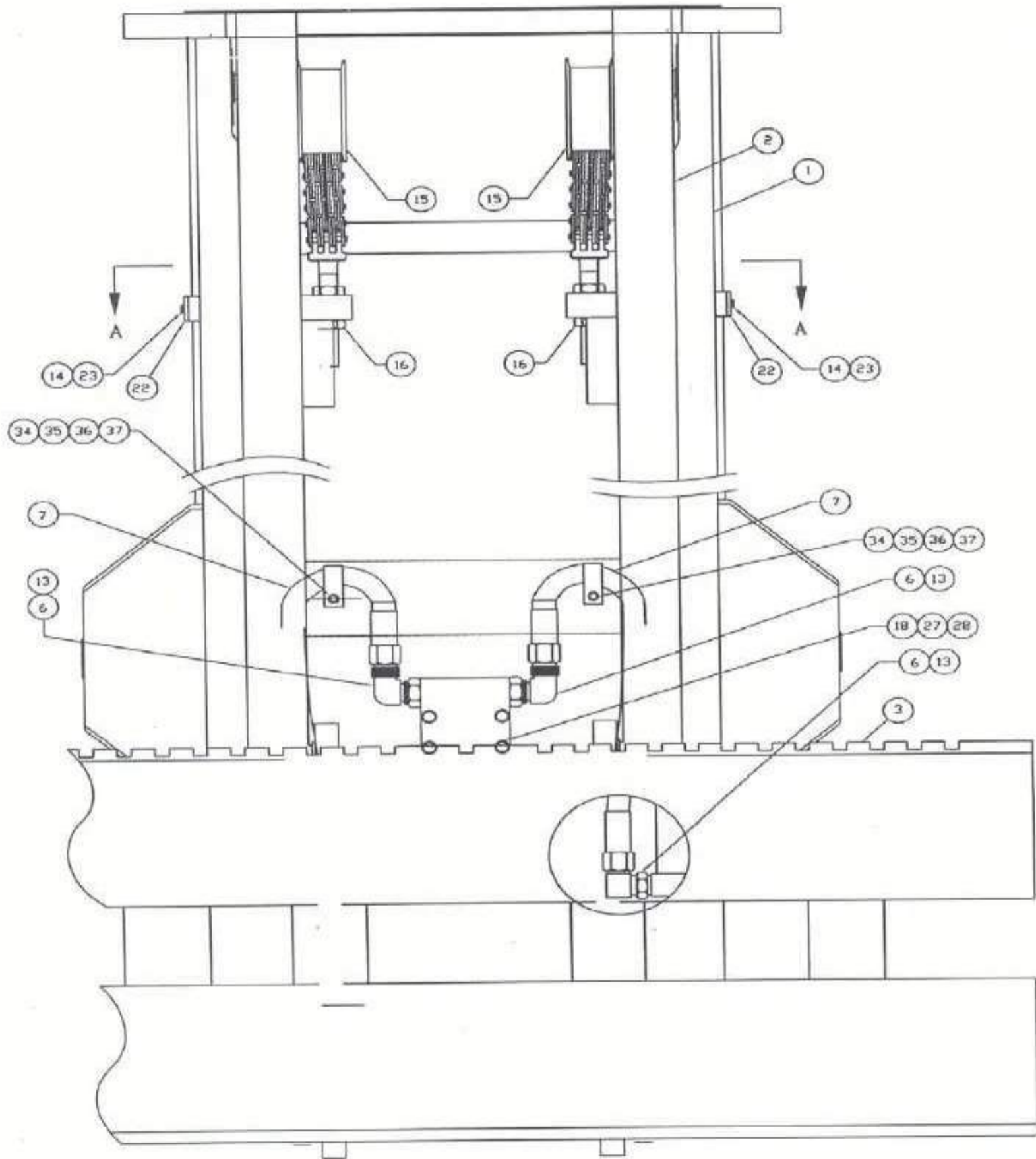
HV MAST ASSY.

VOLTAS

HV MAST ASSY.

ITEM NO.	PART NO.	DESCRIPTION	QTY
25	MH 055486700	HEX HEAD SCREW 3/8 -16	2
26	MH 061278000	WASHER - HARDENED 3/8	2
27	MH 992176387	HEX HEAD BOLT - M10	4
28	MH 992761014	HEX NUT - M10	4
29	MH 502313100	WEAR STRIP SHIM	2
*30	MH 17736	HYDRAULIC CYLINDER - RH (DANTAL)	1
	MH 16204-650	SEAL KIT	1
	MH 796627152	HYDRAULIC CYLINDER - RH (WIPRO)	1
	MH 796627142-80	SEAL KIT	1
31	MH 03263	90° ELBOW	1
32	MH 993463104	'O' RING	1
33	MH 00514	FLOW REGULATOR	1
34	MH 502819100	CLAMP - FOR HOSE	2
35	MH 992271301	SCREW M8 X 40 LONG	2
36	MH 992761013	NUT M8	2
37	MH 992791525	SPRING WASHER M8	2
38	MH 992831537	CIRCLIP	4
39	MH 04437	ROD END	2
40	MH 04442	PIN	2

VOLTAS



HV MAST ASSY.

VOLTAS

HV MAST ASSY.

ITEMS NOT SHOWN

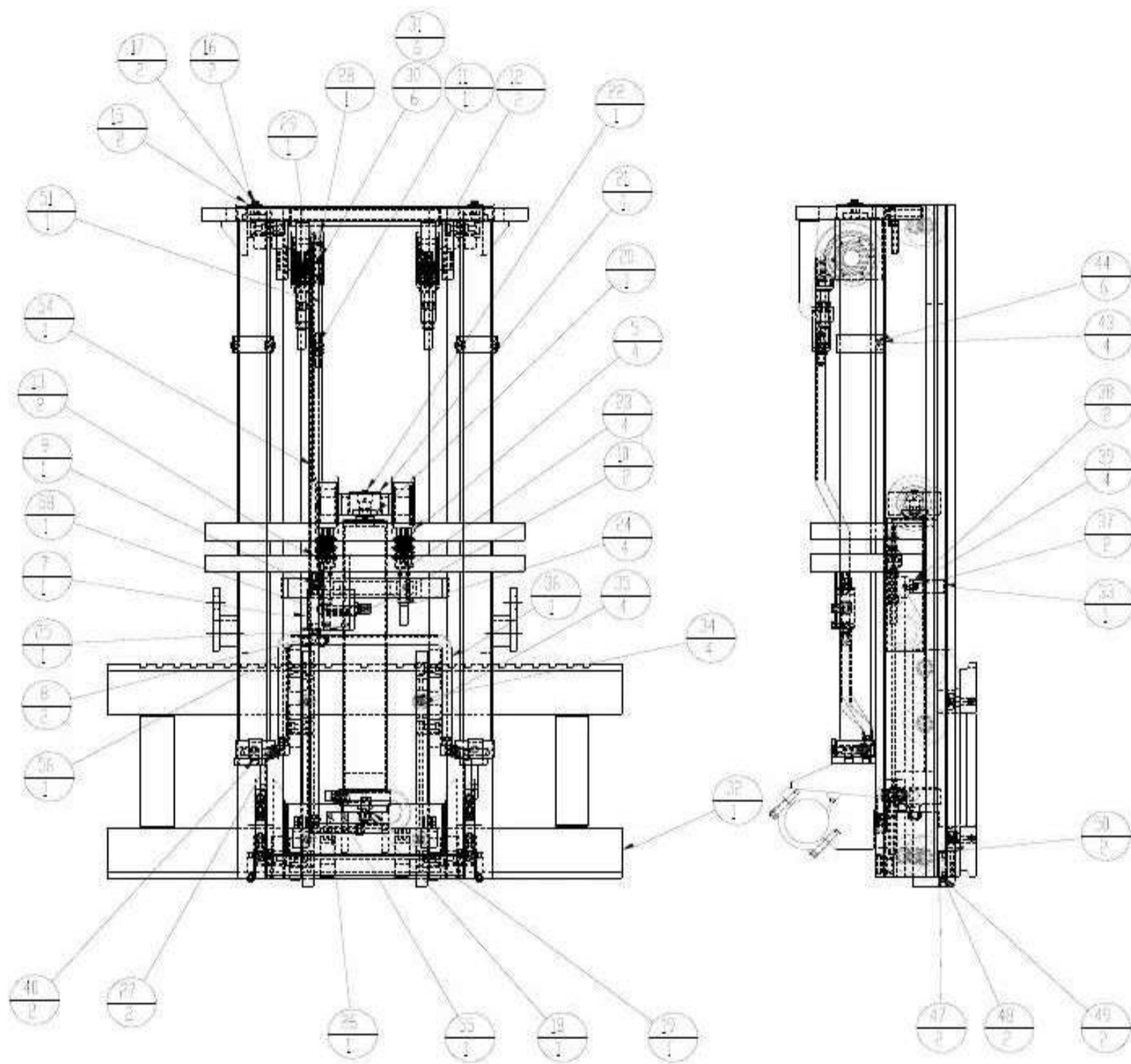
ITEM NO.	PART NO.	DESCRIPTION	QTY
	MH02427	WEAR PLUG 5T	10
	MH02428	DISC WEAR PLUG	10
	MH08740	BEARING INT	10
	MH08744	T FITTING	1
	MH11135	FORK 150X60X1220	2
	MH508990100	BUSHING	2
	MH512505100	LOCK PLATE	8
	MH512926300	TRUNNION BUSHING	4
	MH785324300	BSPT NIPPLE - K 303	2
	MH990711139	3/8" PVC TUBE (2.5 M)	5
	MH992275377	HEX SCR M10X30	2
	MH992573417	SCRUB SCREW M12X30	4
	MH992573423	SOCKET GRUB SCREW M12 x 50 LG.	6
	MH992761215	NUT M12X1.75	10
	MH992777120	M22X1 5 NYLOCK NUT	2
	MH992781624	WASHER M8 X1.6	2
	MH992791515	SPRING WASHER M6	8
	MH992826072	SPLIT PIN 1.6" X 12	8
	MH992831577	EXT CIRCLIPS 40	10
	MH992831597	EXT CIRCLIP	2
	MH993791106	GREESE NIPPLE(COMMON)	8
	MH12276	WASHER	2

FOR OTHER HV MAST ASSEMBLY ONLY * MARKED ITEM PART NO IS CHANGE AS GIVEN IN MATRIX BELOW.

MATRIX FOR MAST ASSLY

HV MAST ASSLY	STAT. WELDT	ELE. WELDT	CHAIN ASSLY	HOIST CYL LH	HOIST CYL RH	HV MAST HIGHT
MH	MH			MH I7735	MH 17736	
796619442	796619181	MH 9379	MH 10248	(DANTAL) MH 796627142 (WIPRO)	(DANTAL) MH 796627152 (WIPRO)	STANDARD
MH 796619192	MH 796619181	MH 9379	MH 9438	MH 5087634-79	MH 5087634-80	3660
MH 796619219	MH 796619209	MH 11796	MH 11797	MH 10416- 03	MH 10416-04	4000
MH 796619239	MH 796619229	MH 11800	MH 11801	MH 10474- 07	MH 10474-08	4500
MH 796619259	MH 796619249	MH 10535	MH 10536	MH 10474- 03	MH 10474-04	5000
MH 796619279	MH 796619269	MH 10545	MH 10546	MH 10474- 05	MH 10474-06	5500
MH 796619429	MH 796619279	MH 796619689	MH 9438	MH 796619779	MH 796619789	3660
MH 796627557	MH 796627549	MH 796627539	MH 796627579	MH 10474- 07	MH 10474-08	6000

VOLTAS



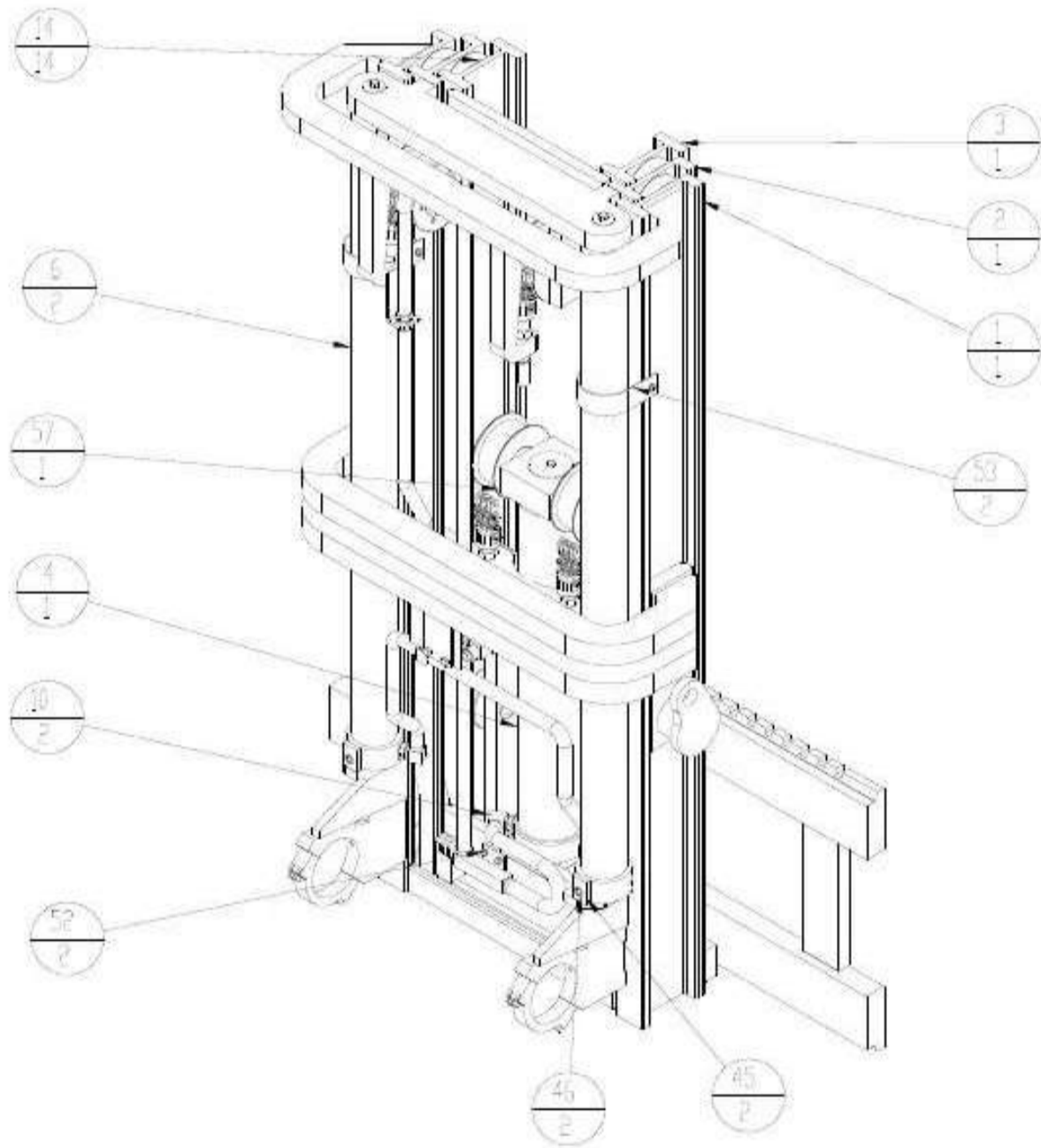
HVT MAST ASSEMBLY (MH18690)

VOLTAS

HVT MAST ASSEMBLY (18690)

SR. NO.	PART NO.	DESCRIPTION	QTY.
1	MH 18691	STATIONARY WELD'T	1
2	MH 18668	SECONDARY WELD'T	1
3	MH 18669	PRIMARY WELD'T	1
4	MH 18546	CENTRAL CYLINDER	1
	MH 18546-80	SEAL KIT CENTRAL CYLINDER	1
5	MH 12682	CHAIN SHEAVE BEARING ASSEMBLY	4
6	MH 18158	HOIST CYLINDER	2
	MH 18158-80	SEAL KIT HOIST CYLINDER	2
7	MH 09658	MANIFOLD	1
8	MH 992275377	HEX SCREW M6 X 20	2
9	MH 12648	ST. HYDRAULIC FITTING	1
10	MH 03263	SPL 90 DEG ELBOW	2
11	MH 12519	STRAIGHT FITTING	1
12	MH 02850	CHAIN ASSLY	2
13	MH 10319	CHAIN ASSLY	2
14	MH 02023	LOAD ROLLER ASSLY	14
15	MH 5066111	SPCIAL WASHER	2
16	MH 992276377	HEX .HD.BOLT M10X30LG.	2
17	MH 992791535	SPRING WASHER	2
18	MH 992761121	HEX NUT M24	1
19	MH 992785703	GALVANISED WASHER M24	1
20	MH 01293	SPHERICAL WASHER	1
21	MH 01420	RETAINING WASHER	1
22	MH 992273295	HEX .HD.BOLT M8X20LG.	1
23	MH 992771120	HEX NUT M22 X 1.5	4
24	MH 992777120	NYLOC NUT M22 X1.5	4
25	MH 18254	"T" FITTING	1
26	MH 12518	BULK HEAD ELBOW	1
27	MH 993765270	90 DEG ELBOW	2
28	MH 18068	HOSE SHEAVE	1
29	MH 09577	BUSHING	1
30	MH 992791505	SPRING WASHER M5	6

VOLTAS



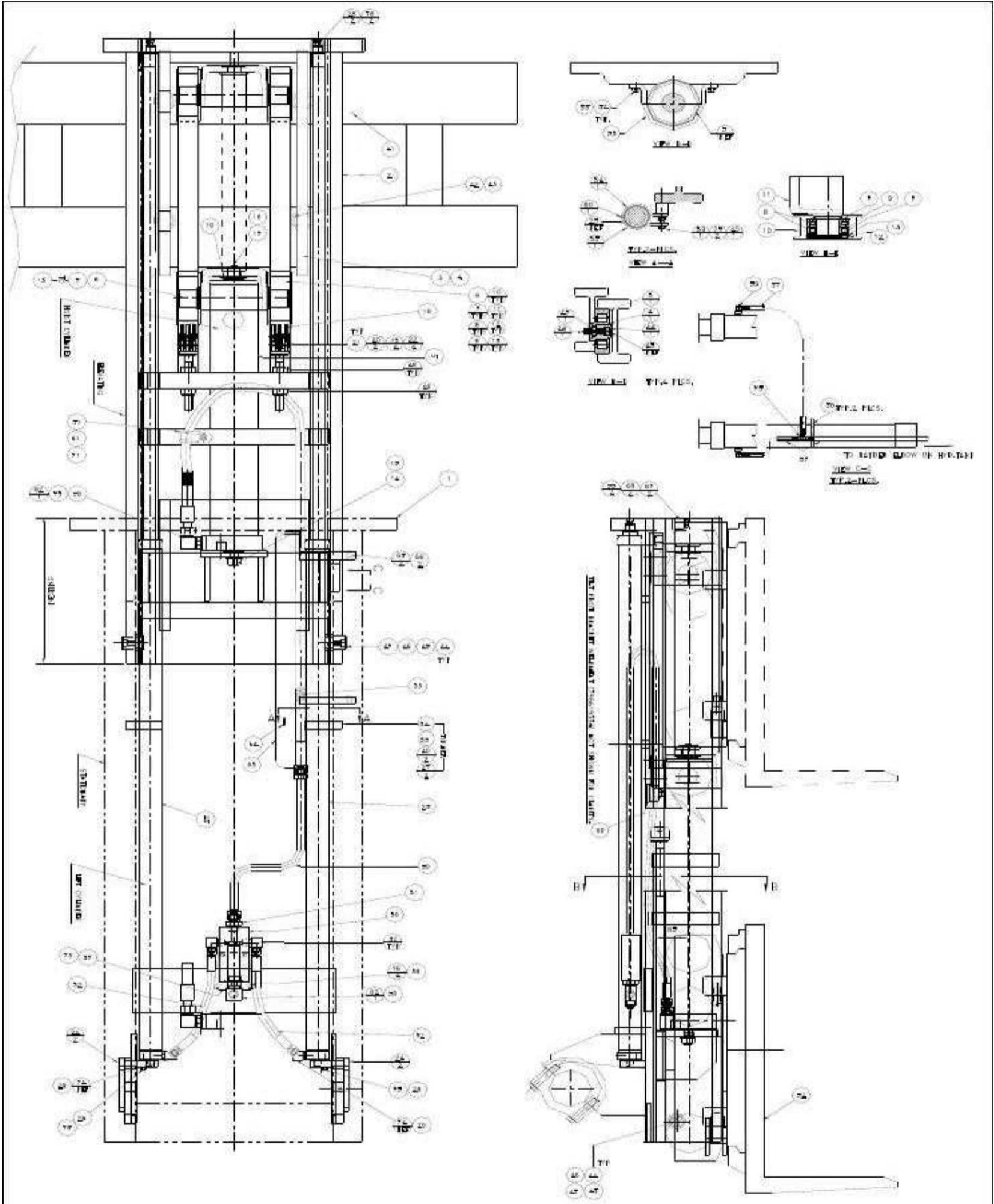
**HVT MAST ASSEMBLY
(MH18690)**

VOLTAS

HVT MAST ASSEMBLY (MH18690)

SR. NO.	PART NO.	DESCRIPTION	QTY.
31	MH 992571186	SOC.HD.SCREW M5X 25	6
32	MH 18252	CARRIAGE WELD'T	1
33	MH 18255	SUPPORT STRAP	1
34	MH 11470	CARRIAGE THRUST ROLLER	4
35	MH 992831537	EXTERNAL CIRCLIP	4
36	MH 993824050	HOSE ASSLY	1
37	MH 992171379	HEX .HD.BOLT M10X 35L	2
38	MH 992781634	PLAIN WASHER M10	2
39	MH 992791535	SPRING WASHER M10	4
40	MH 5077581	DOWEL	2
41	MH 993463092	1-1/16" SAE 'O' RING	4
42	MH 993463104	1-3/16" SAE 'O' RING	2
43	MH 992275295	HEX.HD.BOLT M8 X 20LG	4
44	MH 992791525	SPRING WASHER M8	6
45	MH 18282	SUPPORT PLATE	2
46	MH 501938901	SOC.HD.CAP SCREW 5/8"	2
47	MH 5023131	PRIMARY UPRIGHT RETAINER WEAR STRIP	2
48	MH 5023141	PRIMARY UPRIGHT RETAINER STRIP	2
49	MH 062236400	HEX .HD.SCREW 3/8"	2
50	MH 09455	RETAINER	2
51	MH 16221	HOSE ASSLY	1
52	MH 992275297	HEX.HD.BOLT M8 X 30LG	2
53	MH 18283	CYLINDER SUPPORT STRAP	2
54	MH 993824066	HOSE ASSLY	1
55	MH 797906199	HOSE ASSLY	1
56	MH 993824035	HOSE ASSLY	1
57	MH 18381	SHEAVE SUPPORT	1
58	MH 00514	FLOW REGULATOR	1

VOLTAS



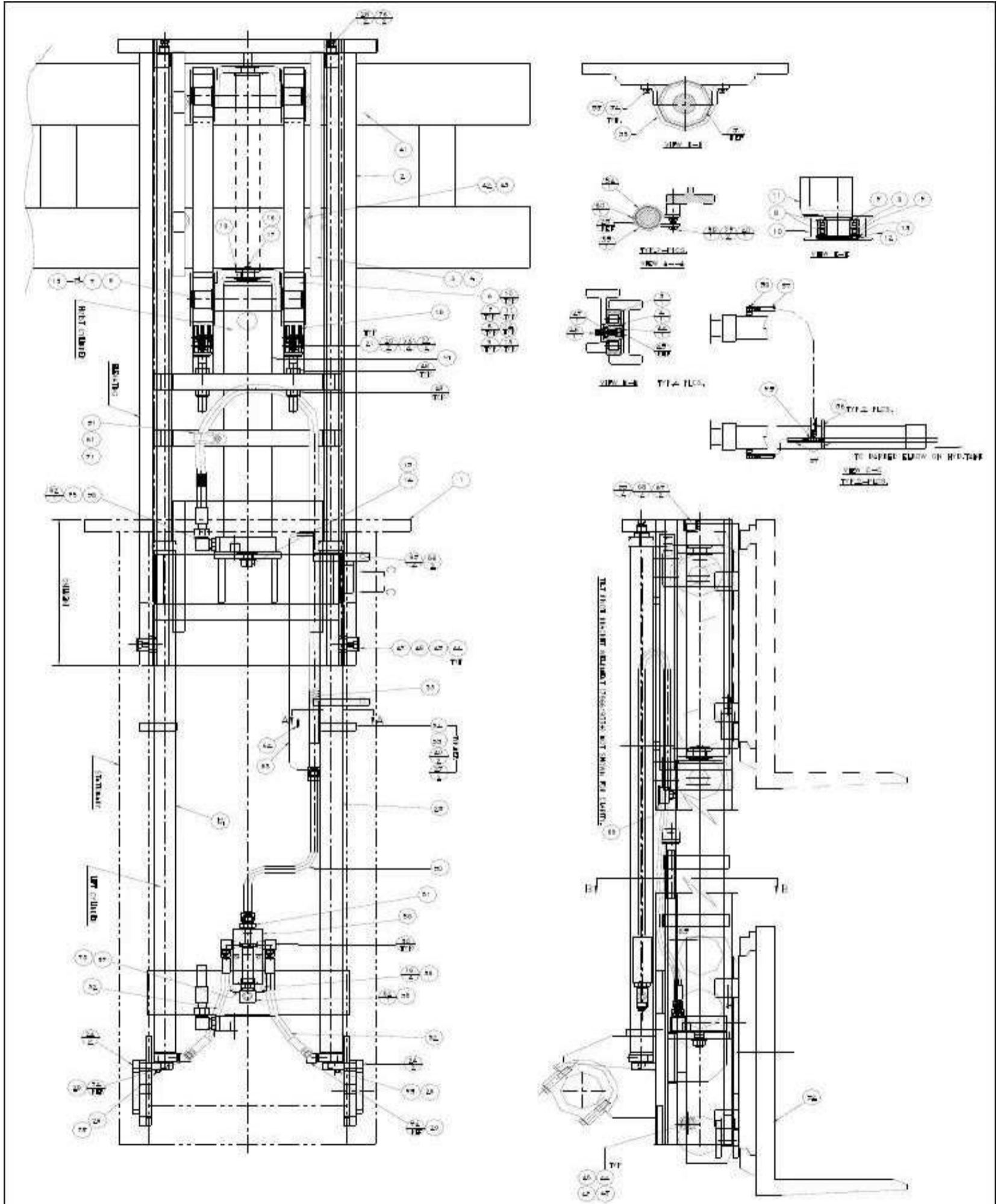
HVD MAST ASSLY

VOLTAS

HVD MAST ASSLY

ITEM NO.	PART NO.	DESCRIPTION	QTY
1	MH796619862	STATIONARY UPRIGHT WELDMENT	1
2	MH796619972	ELEVATING UPRIGHT WELDMENT	1
3	MH08740	BEARING	10
4	MH992831577	CIRCLIP EXT.	10
5	MH796619982	HOIST CYL. ASSLY	1
6	MH13355	CHAIN SHEAVE ASSLY	1
7	MH02706	SEALING PLATE INNER	A/R
8	MH993351321	BEARING	A/R
9	MH992831597	CIRCLIP EXT.	A/R
10	MH04696	CHAIN SHEAVE	A/R
11	MH13352	SHEAVE SUPPORT	A/R
12	MH992835649	INTERNAL CIRCLIP	A/R
13	MH02707	SEALING PLATE OUTER	A/R
14	MH992761121	NUT M24 -P4	1
15	MH992785703	GALVANISED WASHER	1
16	MH992273295	HEX HD. SCREW M8x 20	5
17	MH01420	RETAINING WASHER	1
18	MH12778	CHAIN	2
19	MH01293	SPHERICAL WASHER	1
20	MH04442	PIN	4
21	04437	ROD AND CHAIN END	2
22	MH992781624	WASHER	8
23	MH992826072	SPLIT PIN	8
24	MH10148	BUSHING HALF	4
25	MH796627119	LIFT CYLINDER	2
26	MH992275217	HEX SCREW M6x30 LONG	2
27	MH992791535	LOCK WASHER	4
28	MH0826V039	HHCS 3/8" x 3/4" LONG	2

VOLTAS



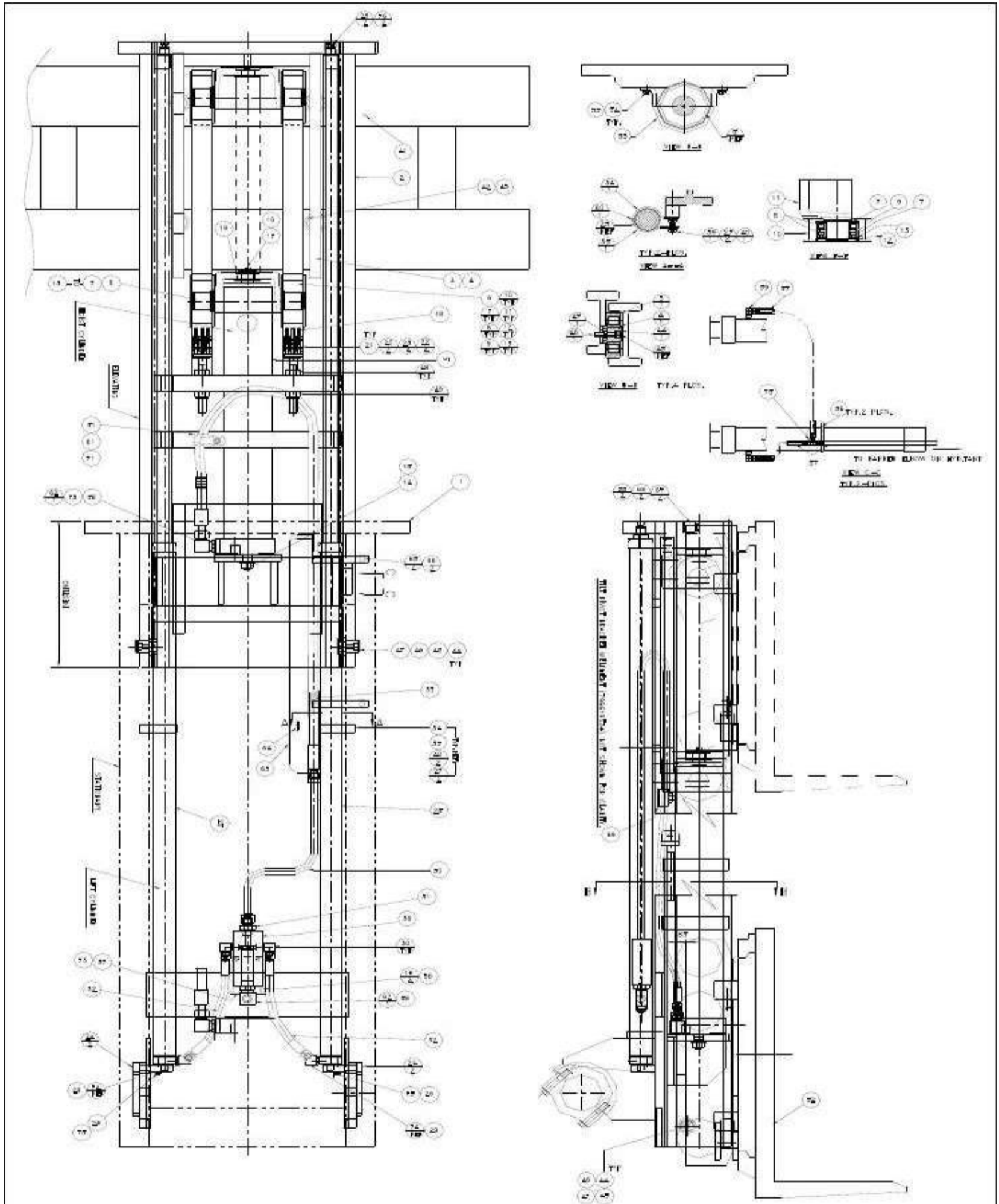
HVD MAST ASSLY

VOLTAS

HVD MAST ASSLY

ITEM NO.	PART NO.	DESCRIPTION	QTY
29	MH44Z429D4	45 DEGREE 'O' RING ELBOW	2
30	MH44Z591D13	90 DEGREE ELBOW	2
31	MH44Z590D17	MALE CONNECTOR	1
32	MH12698	HOSE ASSLY	2
33	MH12699	HOSE ASSLY	1
34	MH12641	CLAMP	2
35	MH12589	CLAMP	2
36	MH12638	MANIFOLD	1
37	MH12639	PLATE	1
38	MH992791525	LOCK WASHER M8	4
39	MH992275383	SCR. M10x50LG	2
40	MH992761114	HEX NUT M10	2
41	MH12771	CARRIAGE WELD'T	1
42	MH02421	CARRIAGE THRUST ROLLER	4
43	MH992831537	EXTERNAL CIRCLIP	4
44	MH02426	WEAR PLUG ASSLY	10
45	MH02428	DISC WEAR PLUG	A/R
46	MH992573423	SOC. GRUB SCREW	10
47	MH992761215	HEX NUT M12	10
48	MH992771120	HEX NUT M22x1.5	2
49	MH992777120	NYLOCK NUT M22x1.5	2
50	MH12654	TUBE ASSLY	1
51	MH32Z373D25	HOSE CLAMP	1
52	MH10875	FORGED FORK	2
53	MH12508	HOIST CYL SUPPORT STRAP	1
54	MH992275416	SOC M12x2.5 LG	2
55	MH992791545	LOCK WASHER M 12	2
56	MH5432Q1D11	TIE WRAP	2

VOLTAS



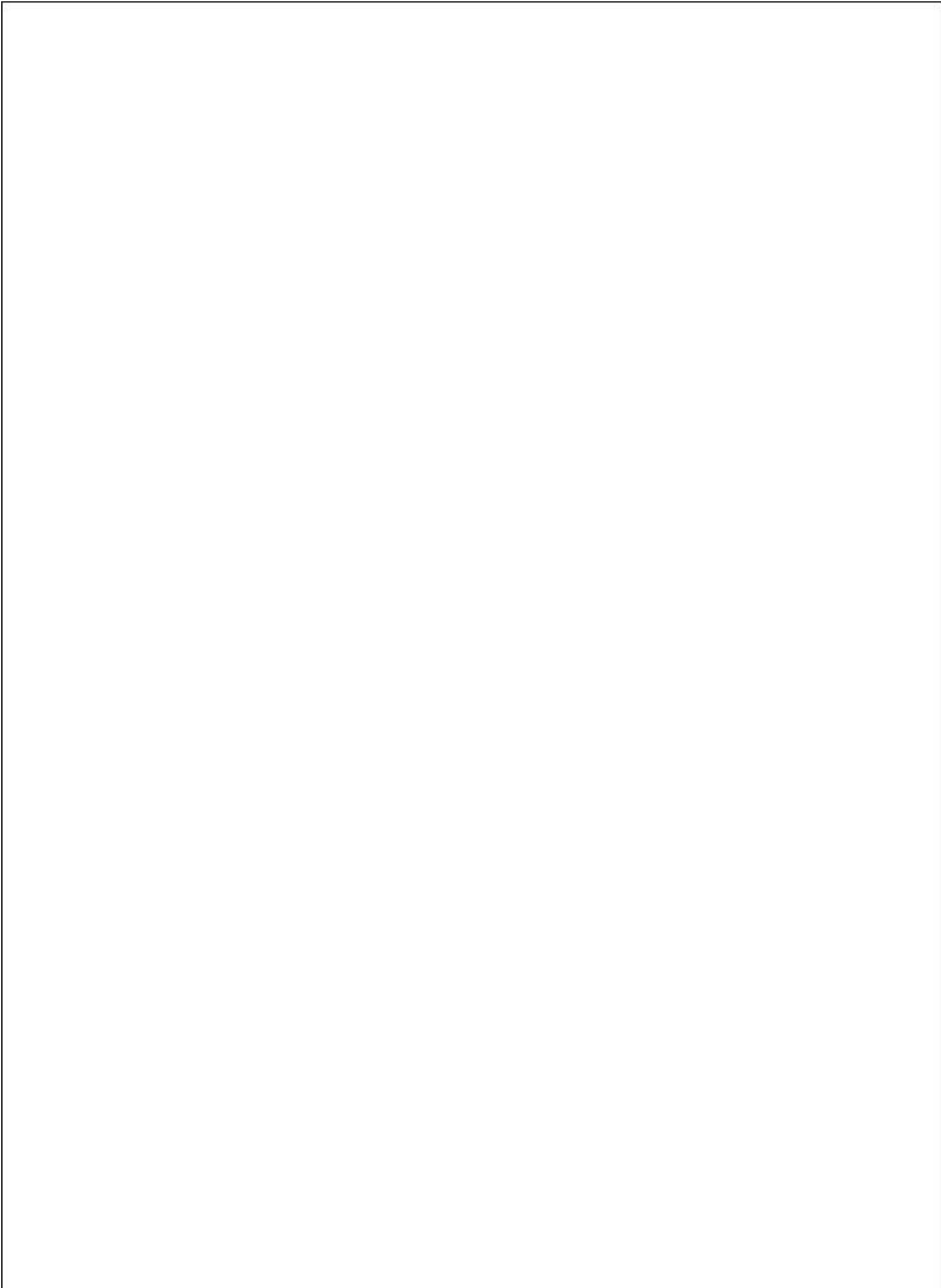
HVD MAST ASSLY

VOLTAS

HVD MAST ASSLY

ITEM NO.	PART NO.	DESCRIPTION	QTY
57	MH990711139	PLASTIC TUBE I.D. x4.5M.	1
58	MH03263	SPECIAL RIGHT ANGLE ELBOW	2
59	MH5128768-02	90 DEGREE ELBOW BARRED 1/8"	2
60	MH992826232	SPLIT PIN	2
61	MH2145V003	HEX NUT	1
62	MH13325	FLOW REGULATOR	2
63	MH13235	GUIDE HOSE ASSLY	1
64	MH992826279	SPLIT PIN 3.2 Dx32 LG	1
65	MH0626V019	HEX SCREW	2
66	MH3615V008	LOCK WASHER	2
67	MH13329	STOPPER CARRIAGE	2
68	MH992175421	HEX BOLT M12x40 LG	2
69	MH12105	BREATHER	1
70	MH504966800	BARBED TEE(3/8)	1
71	MH3644V039	FLAT WASHER	1
72	MH993791106	GREASE NIPPLE M6	A/R
73	MH993463104	O RING	1
74	MH45Z479D8	O RING	A/R
75	MH992791515	LOCK WASHER M6	2
76	MH3615V009	LOCKWASHER 3/8"	2

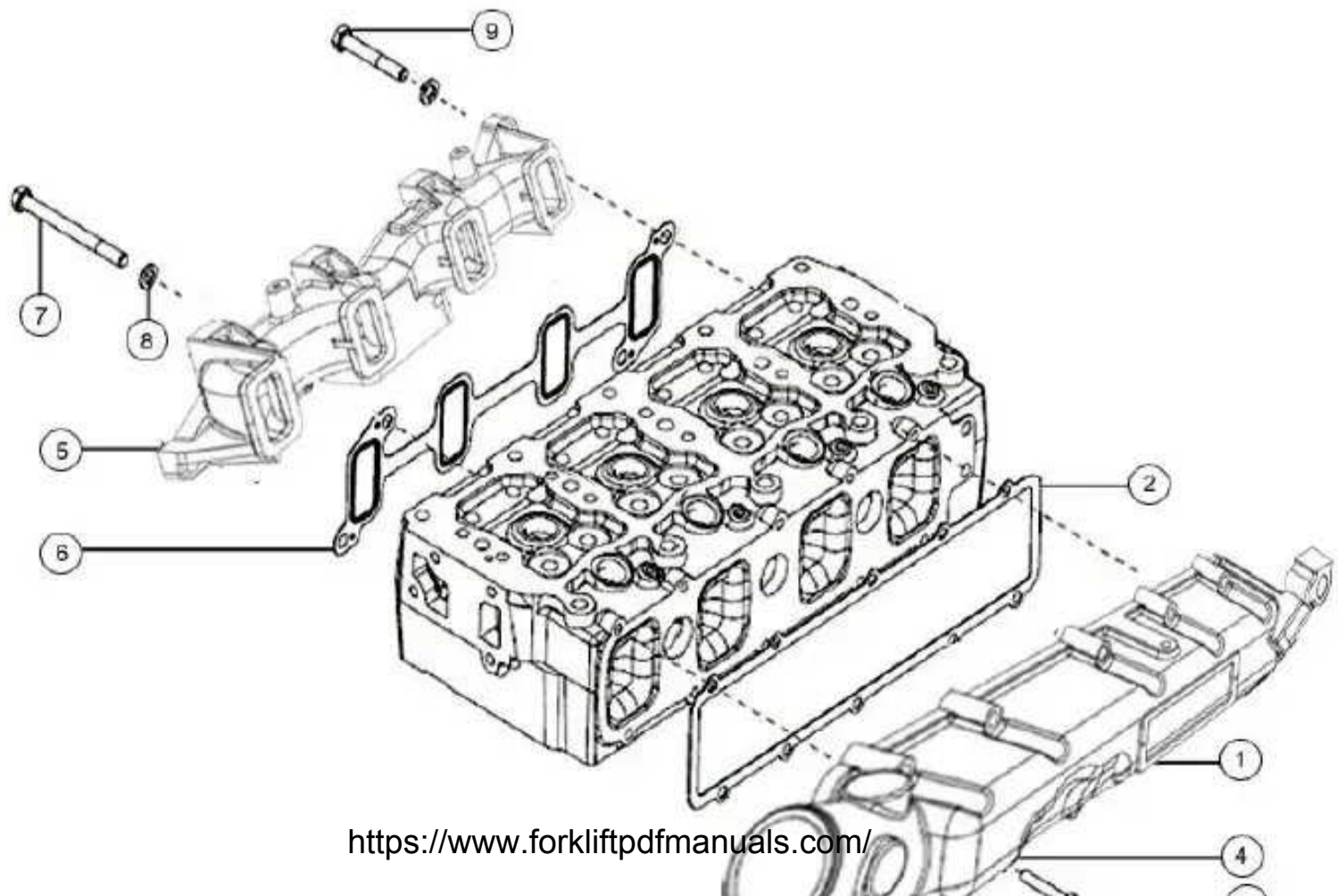
VOLTAS



VOLTAS

PARTS LIST
TSJ436 ENGINE (BSIII/CEV EMISSION NORMS)
APPLICABLE FOR VOLTAS
74.8PS@ 2200 RPM
List No. 7149

AIR INDUCTION AND EXHAUST SYSTEM

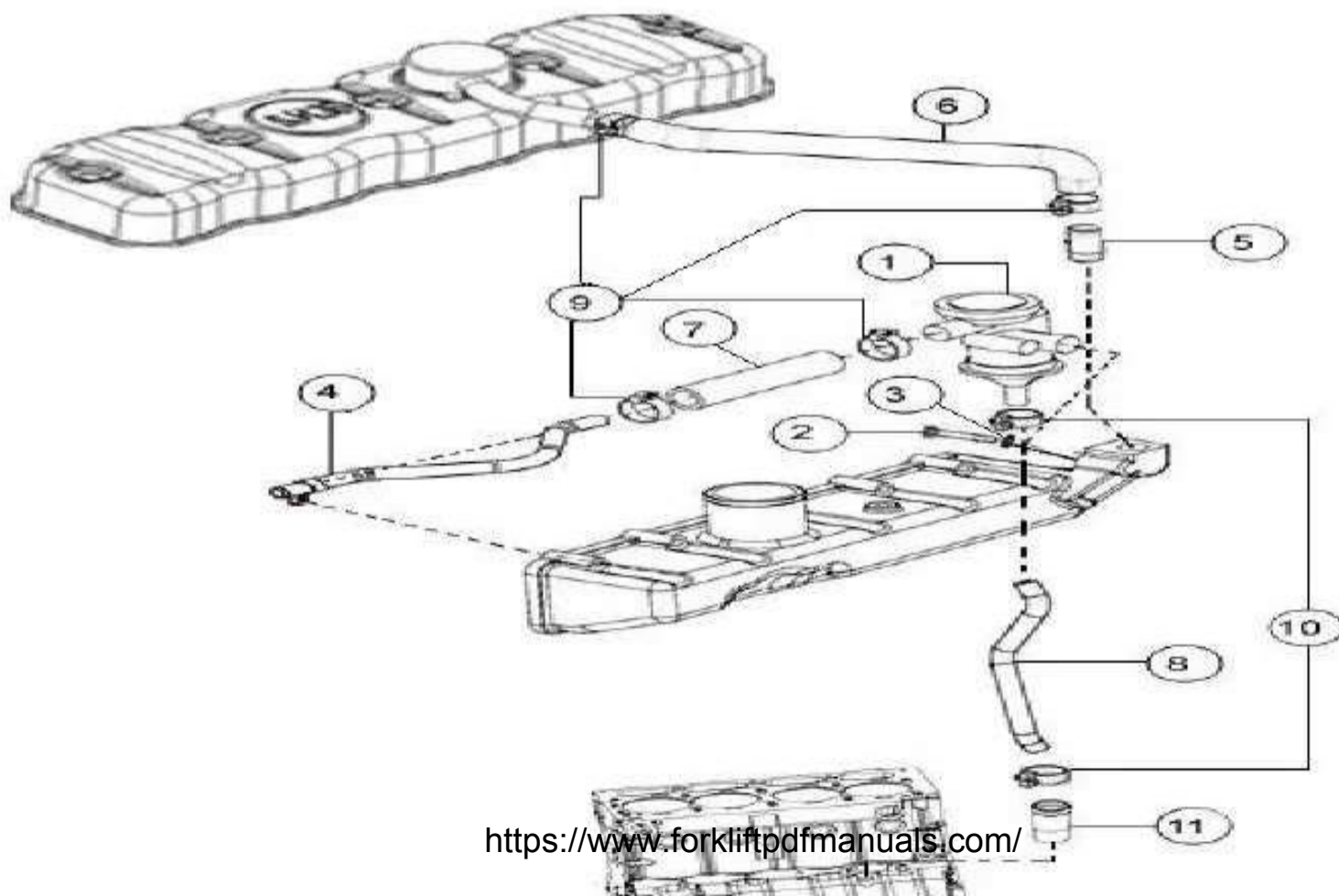




AIR INDUCTION AND EXHAUST SYSTEM

Plate Reference	Part Number	Description	Quantity Per Group	Remarks
01	MH54SG4041	Induction Manifold	1	
02	MH49SG4011	Joint Inlet Manifold to Cylinder Head	1	
03	MHS4007408	Setscrew Inlet Manifold to Cylinder Head	9	
04	MH00920053	Washer Inlet Manifold to Cylinder Head	9	
05	MH54SG4034	Exhaust Manifold	1	
06	MH49SG4012	Joint Exhaust Manifold to Cylinder Head	1	
07	MHS4007433	Setscrew Exhaust Manifold to Cylinder Head	6	
08	MH92DE0873	Washer Exhaust Manifold to Cylinder Head	8	
09	MH74S30145	Setscrew Exhaust Manifold to Cylinder Head	2	

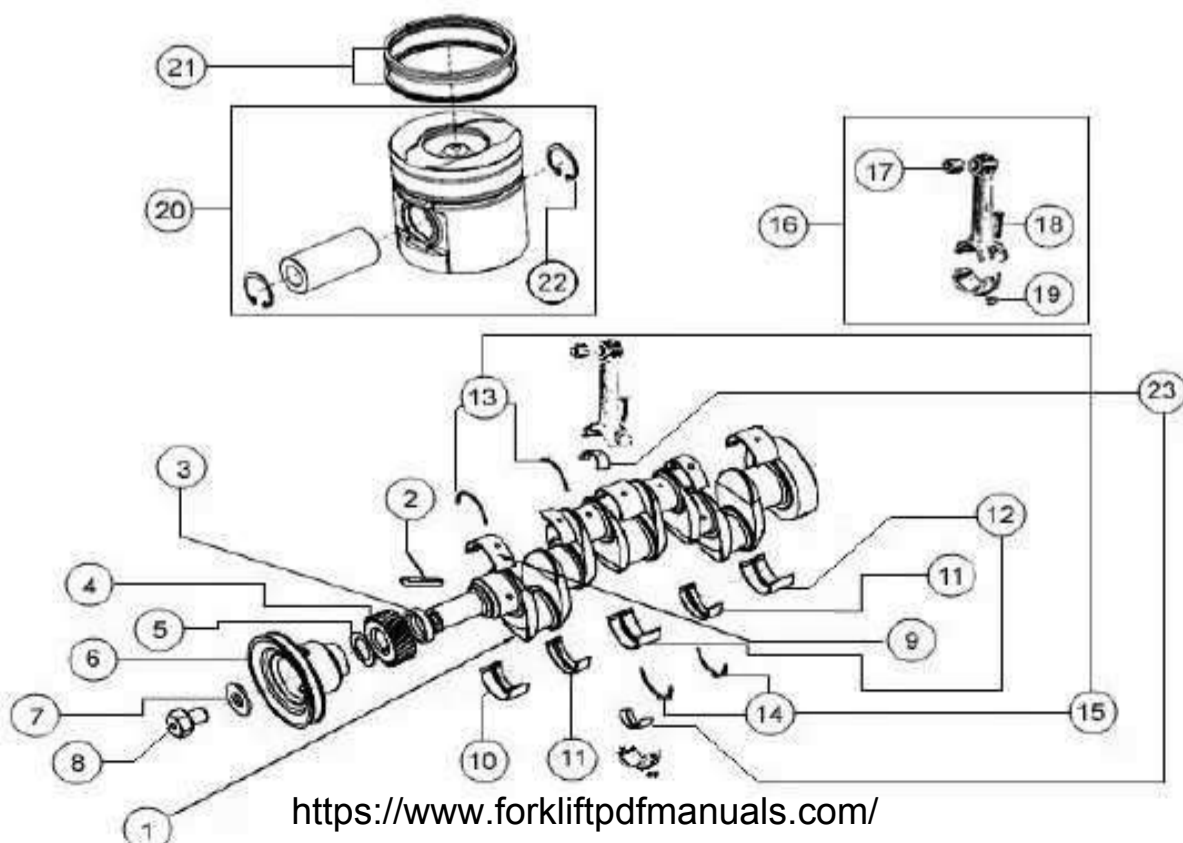
CLOSED BREATHER SYSTEM



CLOSED BREATHER SYSTEM

Plate Reference	Part Number	Description	Quantity Per Group	Remarks
01	MH99SG3037	Crank Case Vent.Unit- (PCV) (MKH NO.3931070900)	1	
02	MH74DE0227	Setscrew PCV to Inlet Manifold	1	
03	MH00920052	Washer PCV to Inlet Manifold	1	
04	MH99SG4195	Pipe Assembly PCV to Filter	1	
05	MH62SG3009	Pipe Inlet Manifold	1	
06	MH62SG3010	Rubber Hose Cylinder Head Cover to Breather Valve Inlet	1	
07	MH62SG4015	Rubber Hose Breather Valve Outlet to Inlet Manifold	1	
08	MH62SG3005	Rubber Hose Breather Valve Oil Drain to Cylinder Block	1	
09	MH02481877	Hose Clip	4	
10	MH00180063	Hose Clip	2	
11	MH62SG3001	Pipe Oil Separator	1	

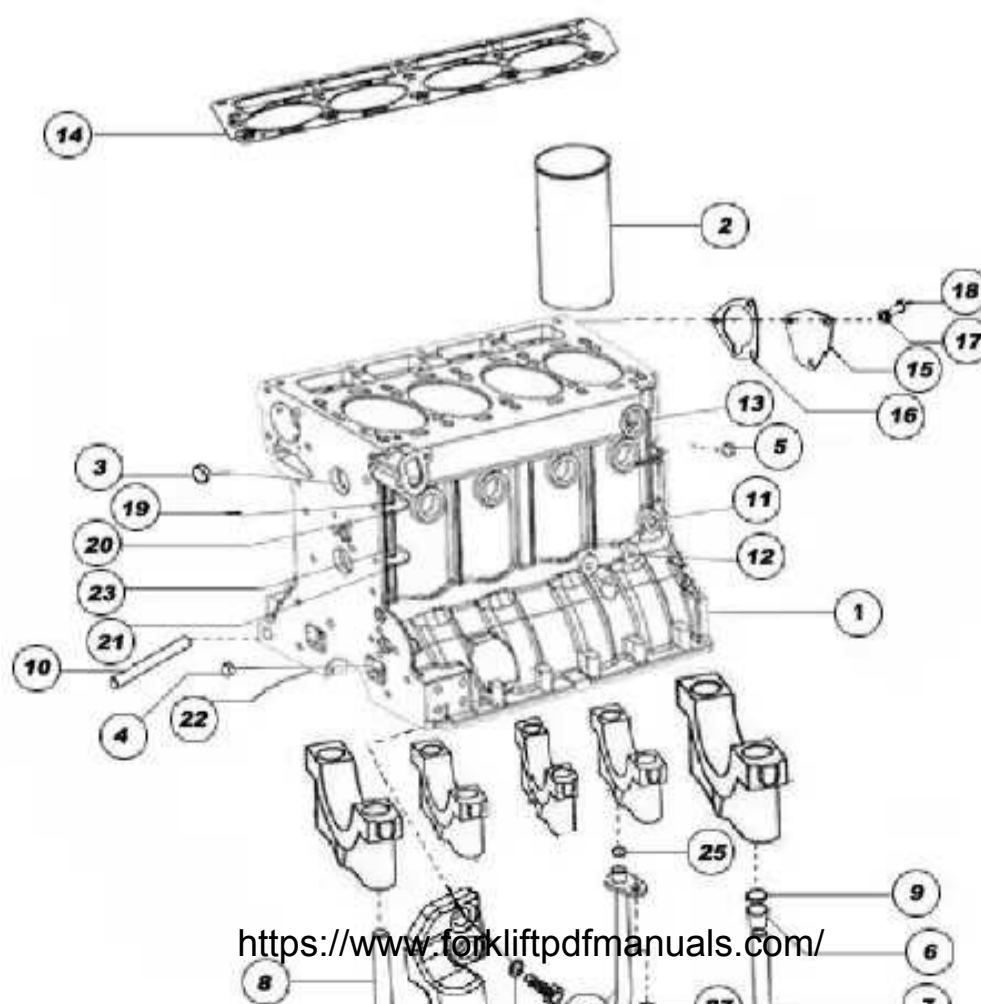
CRANK SHAFT



CRANK SHAFT

Plate Reference	Part Number	Description	Quantity Per Group	Remarks
01	MH26SG4007	Crank Shaft	1	
02	MH36271704	Key	1	
03	MHS4003301	Distance Piece Crankshaft Gear	1	
04	MHS4004101	Gear Crank Shaft	1	
05	MH33176137	Washer Crankshaft	1	
06	MH67SG4020	Pulley Crank Shaft	1	
07	MH33125112	Washer Crankshaft Pulley	1	
08	MHS4007426	Setscrew, Crankshaft Pulley Retaining	1	
09	MHS4009918	Main Bearing Front Set STD.	1	
10	MHS4009919	Main Bearing Front Set – 0.10" U/s	1	
11	MHS4009920	Main Bearing Front Set - 0.20" U/s	4	
12	MHS4009921	Main Bearing Middle Set – 0.30" U/s	4	
13	MHS4009933	Washer Main Bearing Set Std.	4	
14	MHS4009934	Washer Main Bearing Set 0.007" O/s	4	
15	MHS4009933	Thrust Washer Assy (Includes Item13&14)Std.	1	
16	MHSA063496	Conn Rod Assy (Includes Item 17,18,19,)	4	
17	MH31134151	Bush Connecting Rod Small End	4	
18	MH00095250	Bolt Connecting Rod Cap	2	
19	MH33221319	Nut Connecting Rod To Cap Bolt	2	
20	MH99SG4225	Piston Assembly with Gudgeon Pin, Circlip (Less Rings)	4	
21	MH99SG3003	Piston Ring Assembly	4	
22	MH00170001	Circlip P-Series	2	
23	MH31131171	Bearing Con Rod Big End	8	

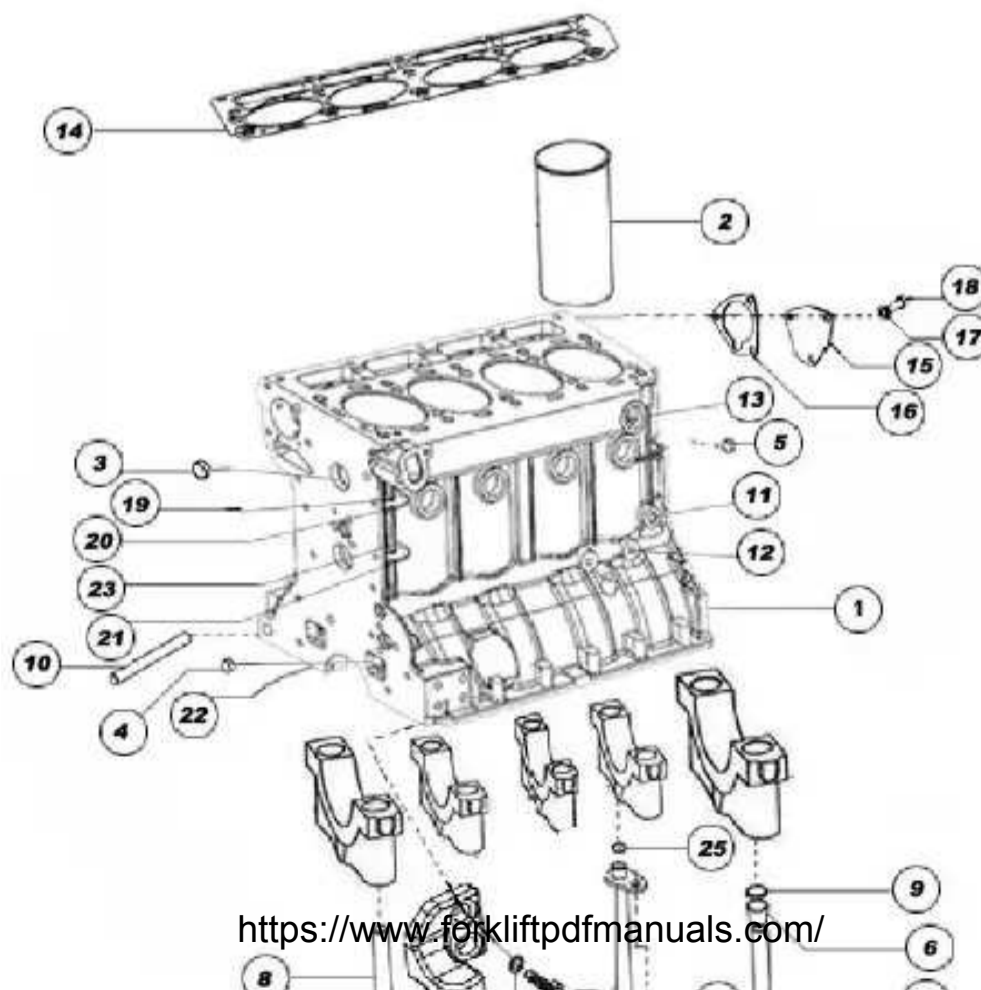
CYLINDER BLOCK



CYLINDER BLOCK

Plate Reference	Part Number	Description	Quantity Per Group	Remarks
01	MH99SG4173	Cylinder Block Assembly – M/M/BALANCER	1	
02	MH53SG3007	Liner Cylinder Block	4	
03	MH00650710	Plug Cylinder Block Water Jacket	12	
04	MH65SG3001	Plug Cylinder Block Pressure Rail - Front	1	
05	MH00650566	Plug Cylinder Block Pressure Rail – Rear	1	
06	MH00870001	Thimble Crankshaft Main Bearing Cap	10	
07	MHS4007429	Setscrew Main Bearing Cap Rear to Cylinder Block	2	
08	MHS4007428	Setscrew Main Bearing Cap to Cylinder Block	8	
09	MH02415608	O' Ring Main Bearing Cap Thimble	2	
10	MH82S30098	Stud Cylinder Block to Axle Bracket	1	
11	MH65DE0036	Cylinder Block Drain Plug	1	
12	MH20DE0193	Adaptor Lub.Oil Pressure Gauge Union	1	
13	MH65SG3004	Heater Plug	1	
14	MH49SG4016	Cylinder Head Gasket	1	
15	MH94S30406	Tachometer Drive Blanking Plate	1	
16	MH36862511	Joint Tachometer Drive Blanking Plate	1	
17	MH74DE0844	Setscrew Tachometer Drive to Cylinder Block	3	

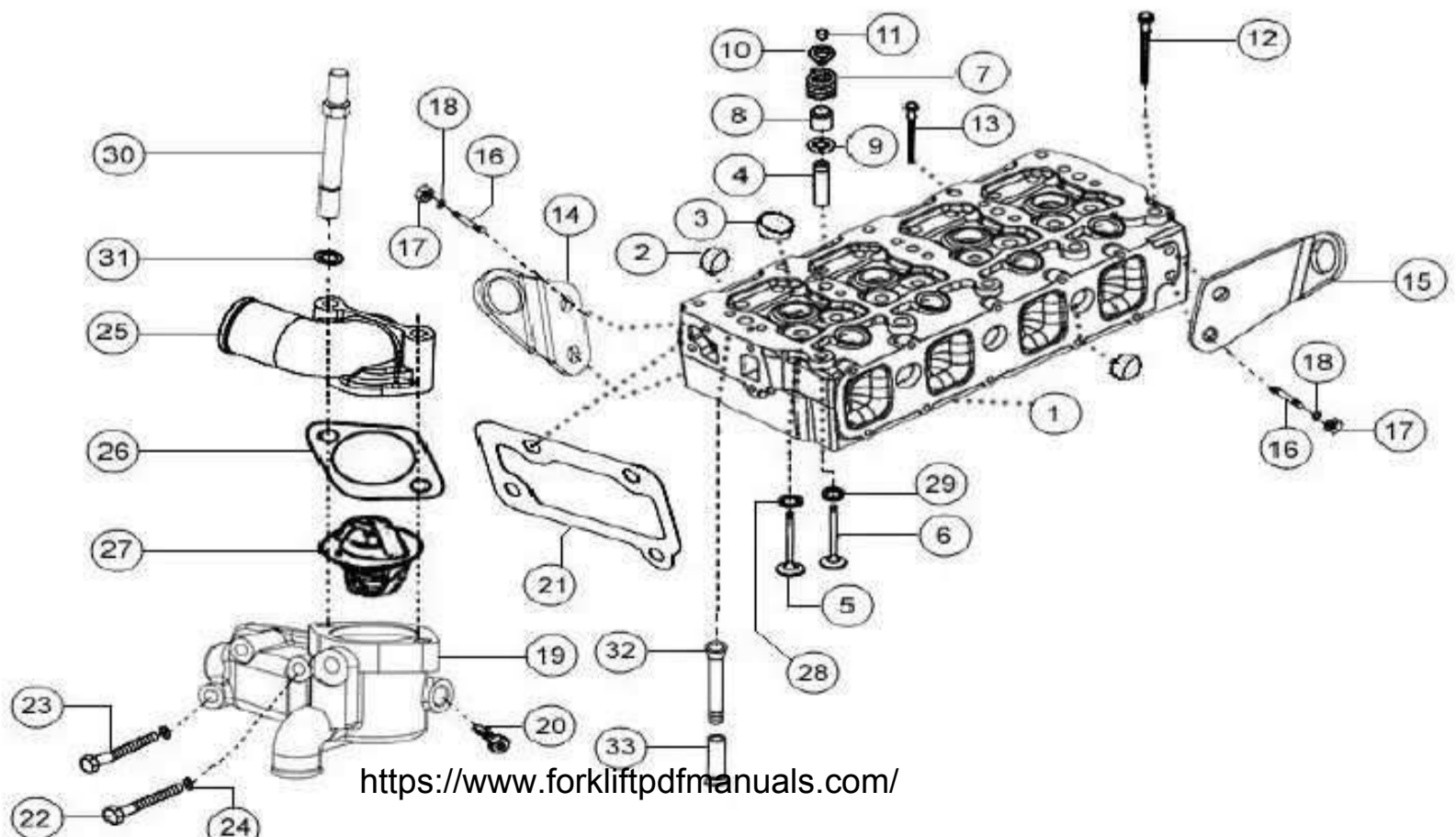
CYLINDER BLOCK



CYLINDER BLOCK (Contd..)

Plate Reference	Part Number	Description	Quantity Per Group	Remarks
18	MH00920053	Spring Washer Tachometer Drive to Cylinder Block	3	
19	MH20SG3014	Water Inlet Connection (GDC)	1	
20	MH73S30025	O' Ring Water Inlet Connection	1	
21	MH74DE0844	Setscrew Water Inlet Connection	1	
22	MHS4007408	Setscrew Water Inlet Connection	1	
23	MH00920106	Washer Water Inlet Connection	2	
24	MH99SG4183	Pipe Assembly Oil Separator to Block	1	
25	MH73SG3005	O' Ring Oil Separator Pipe to Block	1	
26	MH74DE0844	Setscrew Oil Separator Pipe to Block	1	
27	MH00920053	Spring Washer Oil Separator Pipe to Block	1	
28	MHS4001046	Bracket Lub.Oil Sump to Cylinder Block	1	
29	MH00920056	Washer Bracket Lub.Oil Sump to Cylinder Block	2	
30	MHS4007436	Setscrew Bracket Lub.Oil Sump to Cylinder Block	2	

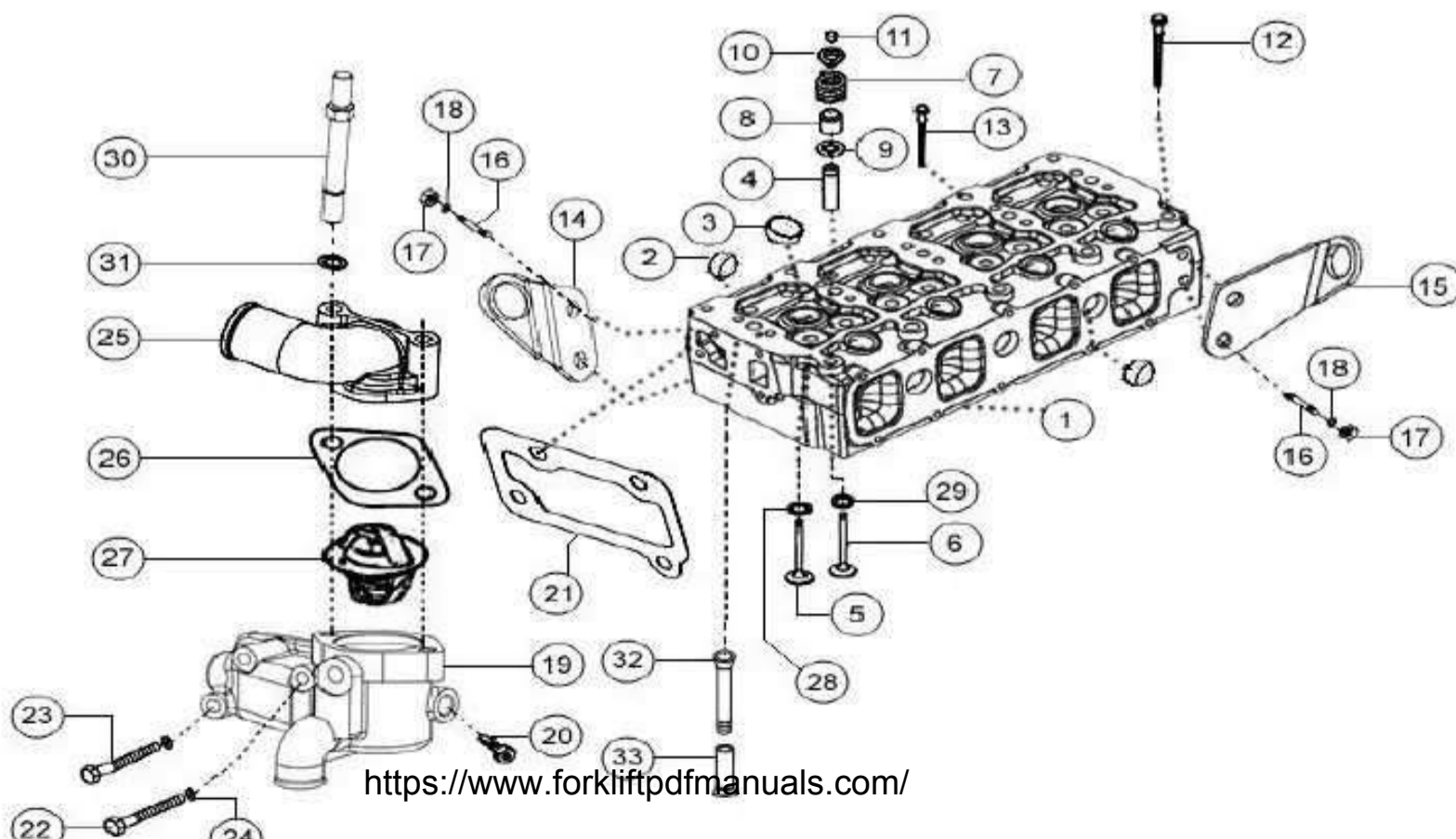
CYLINDER HEAD



CYLINDER HEAD

Plate Reference	Part Number	Description	Quantity Per Group	Remarks
01	MH99SG4235	Cylinder Head Assembly Major	1	
02	MH00650713	Cylinder Head Water Rail Plug	3	
03	MH00650710	Cylinder Head Plug	9	
04	MH42SG3002	Guide Exhaust & Inlet Valve	8	
05	MH91SG3003	Valve Inlet	4	
06	MH91SG3004	Valve Exhaust	4	
	MHDE006041	Engine Valve Set (Includes Items of 5 & 6)	1	
07	MH78SG3001	Spring Exhaust & Inlet Valve	8	
08	MH73SG3001	Seal Valve Stem	8	
09	MH33177518	Washer Inlet & Exhaust Valve Spring Locating	8	
10	MH00150008	Cap Valve Spring	8	
11	MH00230001	Cotter Valve Spring (ALT-33173115)	16	
12	MH74SG3001	Cylinder Head Setscrew - Long	10	
13	MH74SG3002	Cylinder Head Setscrew - Short	5	
14	MH94SG3038	Plate Engine Lifting Hook Front	1	
15	MH94SG3039	Plate Engine Lifting Hook Rear	1	
16	MHS4008209	Stud Lifting Plate Front & Rear	4	

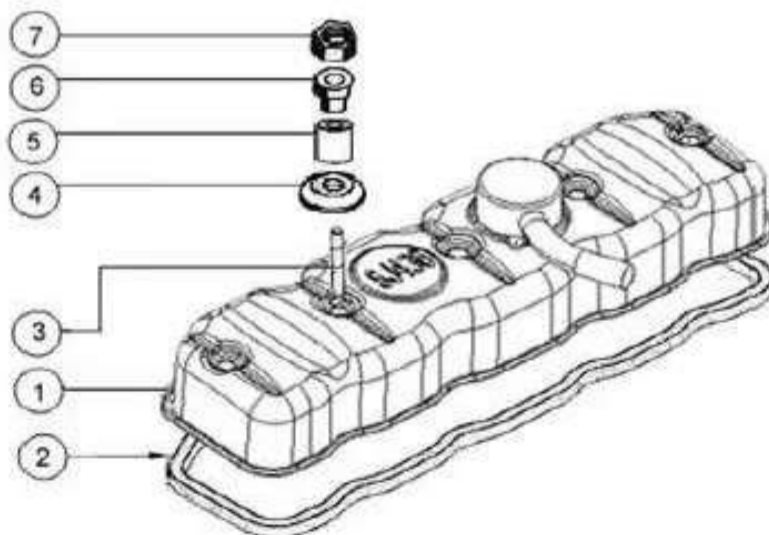
CYLINDER HEAD



CYLINDER HEAD (contd..)

Plate Reference	Part Number	Description	Quantity Per Group	Remarks
17	MHS4005703	Nut Lifting Plate Front & Rear	4	
18	MH92DE0873	Washer Lifting Plate Front & Rear	4	
19	MH08SG3011	Cylinder Head Water Outlet Body	1	
20	MH00650586	Plug Cylinder Head Water Outlet Body	1	
21	MH49SG3003	Joint Cylinder Head Water Outlet Body	1	
22	MHS4007404	Setscrew Cylinder Head Water Outlet Body	2	
23	MH74S30166	Setscrew Cylinder Head Water Outlet Body	2	
24	MH00920053	Washer Cylinder Head Water Outlet Body	4	
25	MH20SG4028	Water Outlet Connection	1	
26	MH00490184	Joint Water Outlet Connection	1	
27	MHDE006051	Thermostat	1	
28	MH47SJ3001	Insert Inlet Valve Seat	4	
29	MH47SJ3002	Insert Exhaust Valve Seat	4	
30	MH82SG4004	Stud Water Outlet Connection	2	
31	MH92DE0873	Spring Washer Water Outlet Connection	2	
32	MH70SG3001	Push Rod	8	
33	MH86SG3001	Tappet	8	

CYLINDER HEAD COVER

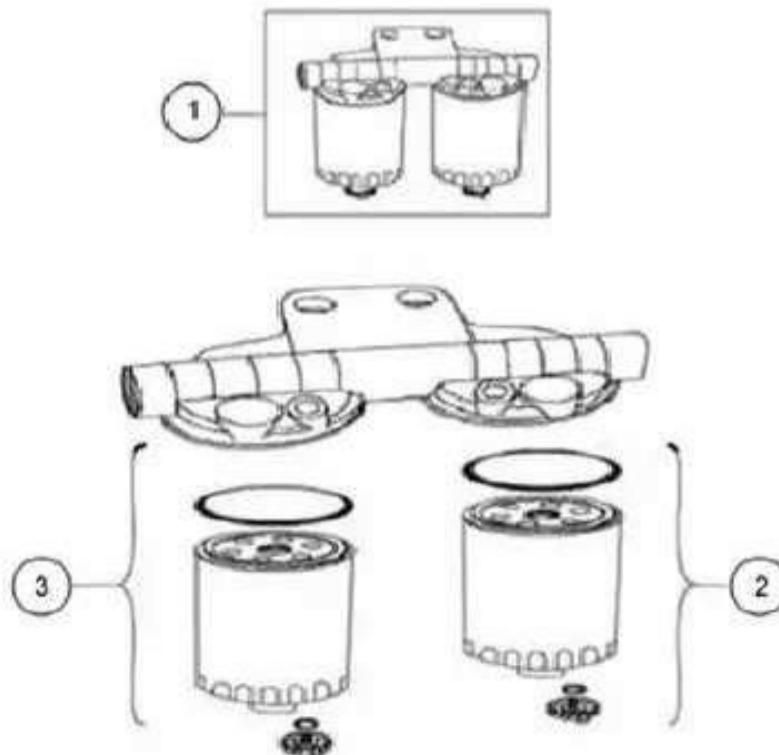




CYLINDER HEAD COVER

Plate Reference	Part Number	Description	Quantity Per Group	Remarks
01	MH99SG4072	Cylinder Head Cover Assembly	1	
02	MH49SG4025	Joint Cylinder Head Cover	1	
03	MH82SG3001	Stud Cylinder Head Cover	5	
04	MH92SG4003	Washer Cylinder Head Cover	5	
05	MH77SG4003	Sleeve Cylinder Head Cover	5	
06	MH73SG4010	Rubber Seal Cylinder Head Cover	5	
07	MHS4005710	Nut Cylinder Head Cover	5	

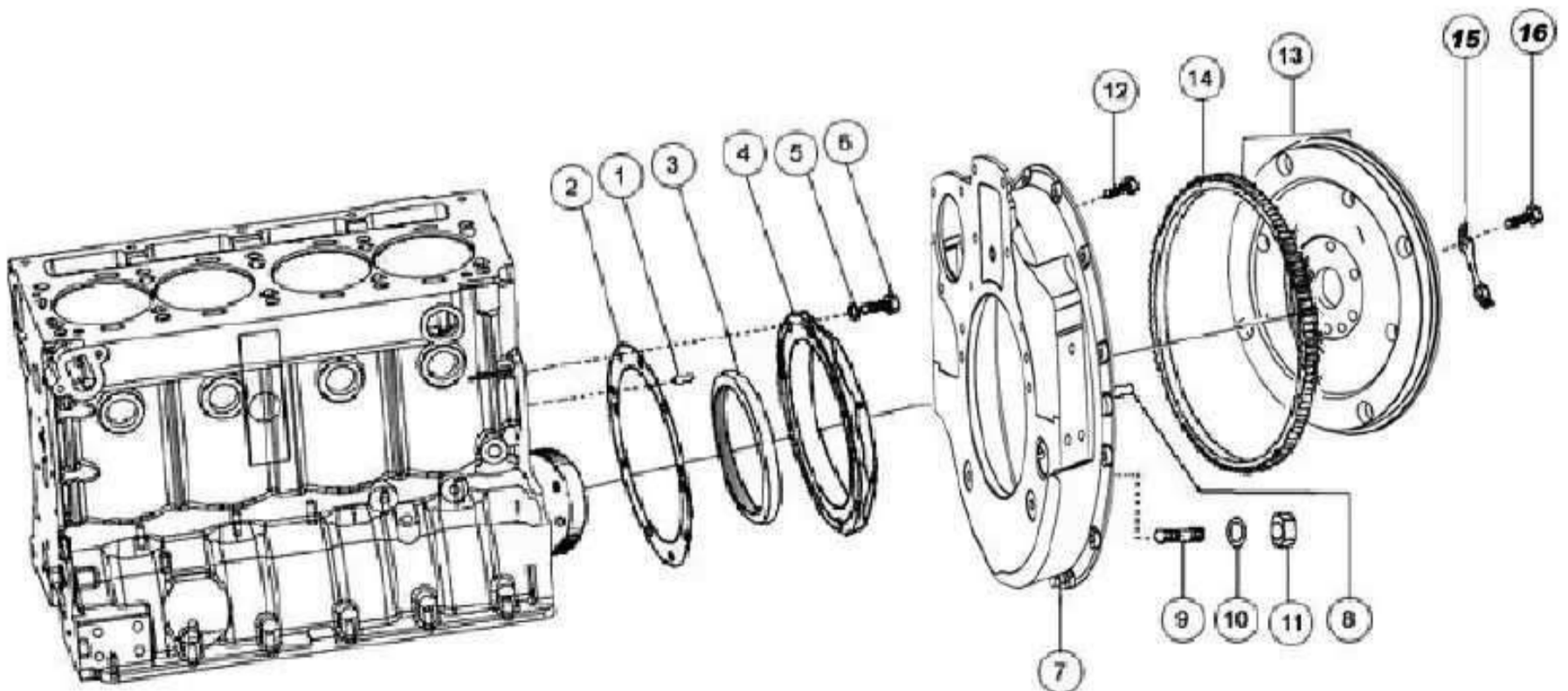
DUAL FUEL FILTER(0.6 LITRE)



DUAL FUEL FILTER(0.6 LITRE)

Plate Reference	Part Number	Description	Quantity Per Group	Remarks
01	MHDE005774	Fuel Filter Oil (Mico No. F 002 H20 138)	1	To be procured from BOSCH
02	MHDE006009	Pre Filter Oil (Mico No. F 002 H20 231)	1	To be procured from BOSCH
03	MHDE006010	Fine Filter Oil (Mico No. F 002 H20 232)	1	To be procured from BOSCH

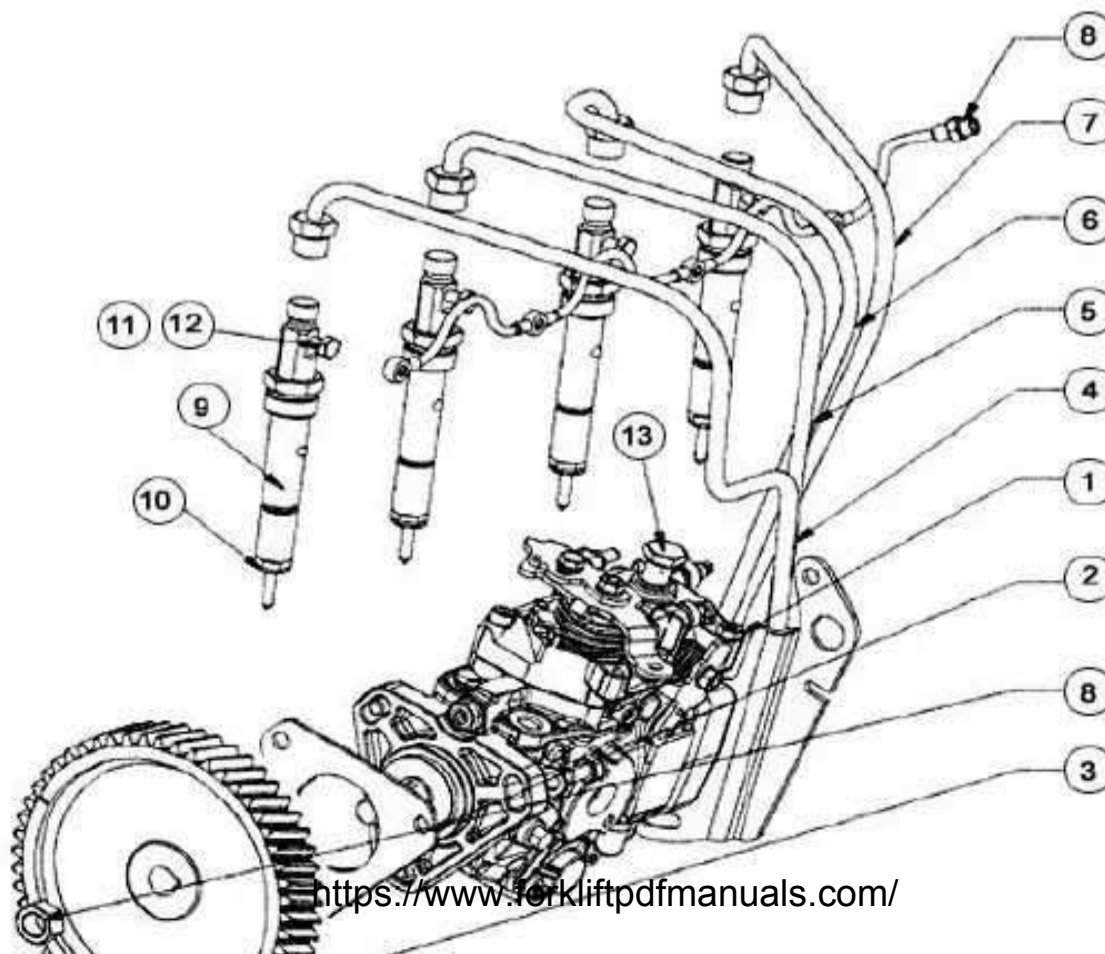
FLYWHEEL HOUSING REAR END OIL SEAL



FLYWHEEL HOUSING REAR END OIL SEAL

Plate Reference	Part Number	Description	Quantity Per Group	Remarks
01	MH00350015	Dowel Flywheel	2	
02	MH49S30119	Joint Rear End Housing To Cyl.Block	1	
03	MH73DE0019	Unitized Lip Seal Crankshaft Rear End	1	AltNo.2418f475
04	MH37424611	R.End Oil Seal Housing	1	
05	MH00920053	Spring Washer	9	
06	MH74DE0844	Set Screw Seal Housing to Cyl Block	9	
07	MH44DE0241	Flywheel Housing	1	
08	MH00350016	Dowel Cylinder Block To Adaptor Plate	2	
09	MHS4008210	Stud Adaptor Plate To Cylinder Block	6	
10	MH92DE0873	Washer Adaptor Plate Stud	6	
11	MHS4005703	Nut	6	
12	MH72S30011	Cap Screw Adaptor Plate To Cyl Block	2	
13	MH99SG4457	Flywheel & Starter Ring Assembly	1	
14	MH00410264	Flywheel Ring Gear	1	
15	MH00921062	Washer Tab Flywheel Set Screw	3	
16	MHS4007444	Setscrew Flywheel To Crankshaft	6	

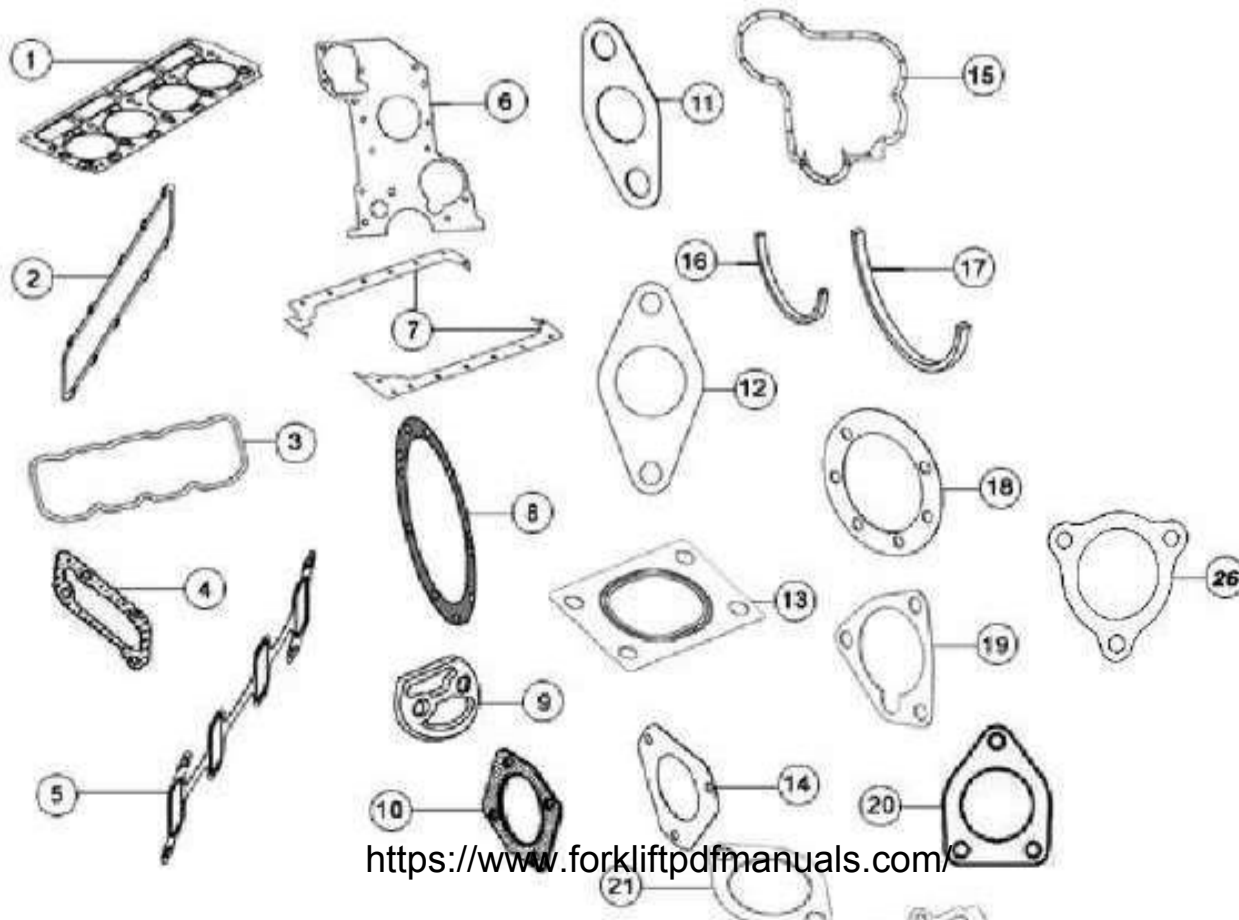
FUEL INJECTION EQUIPMENT

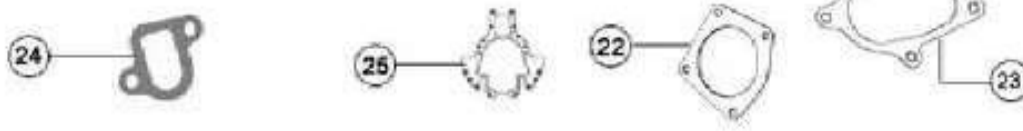


FUEL INJECTION EQUIPMENT

Plate Reference	Part Number	Description	Quantity Per Group	Remarks
01	MHDE006253	Fuel Injection Pump - for DOMESTIC APPLICATION (Bosch No: B 0.460.424.494)	1	To be Procured from Bosch
02	MH33828112	Joint FIP to Timing Case	1	
03	MH41SG4034	Gear FIP Drive	1	
04	MH99SG4174	Pipe FIP Assembly No.1 Cylinder	1	
05	MH99SG4175	Pipe FIP Assembly No.2 Cylinder	1	
06	MH99SG4176	Pipe FIP Assembly No.3 Cylinder	1	
07	MH99SG4177	Pipe FIP Assembly No.4 Cylinder	1	
08	MH99SG4125	Pipe Assembly Main Leak off Pipe	1	
09	MHDE006033	Nozzle & Holder Assembly (Bosch No: E 080 2109 00)	4	To be Procured from Bosch
10	MH92SG4004	Washer Nozzle Seating (Bosch No: 2 430 105 009)	4	To be Procured from Bosch
11	MH92DE0003	Washer Banjo Leak off Pipe (Bosch No: 2 916 710 603)	4	To be Procured from Bosch
12	MH09DE0004	Banjo Bolt Leak off Pipe (Bosch No: 2911 232 700)	4	To be Procured from Bosch
13	MHDE005884	Thermo Switch	1	To be Procured from Bosch

JOINTS AND GASKETS

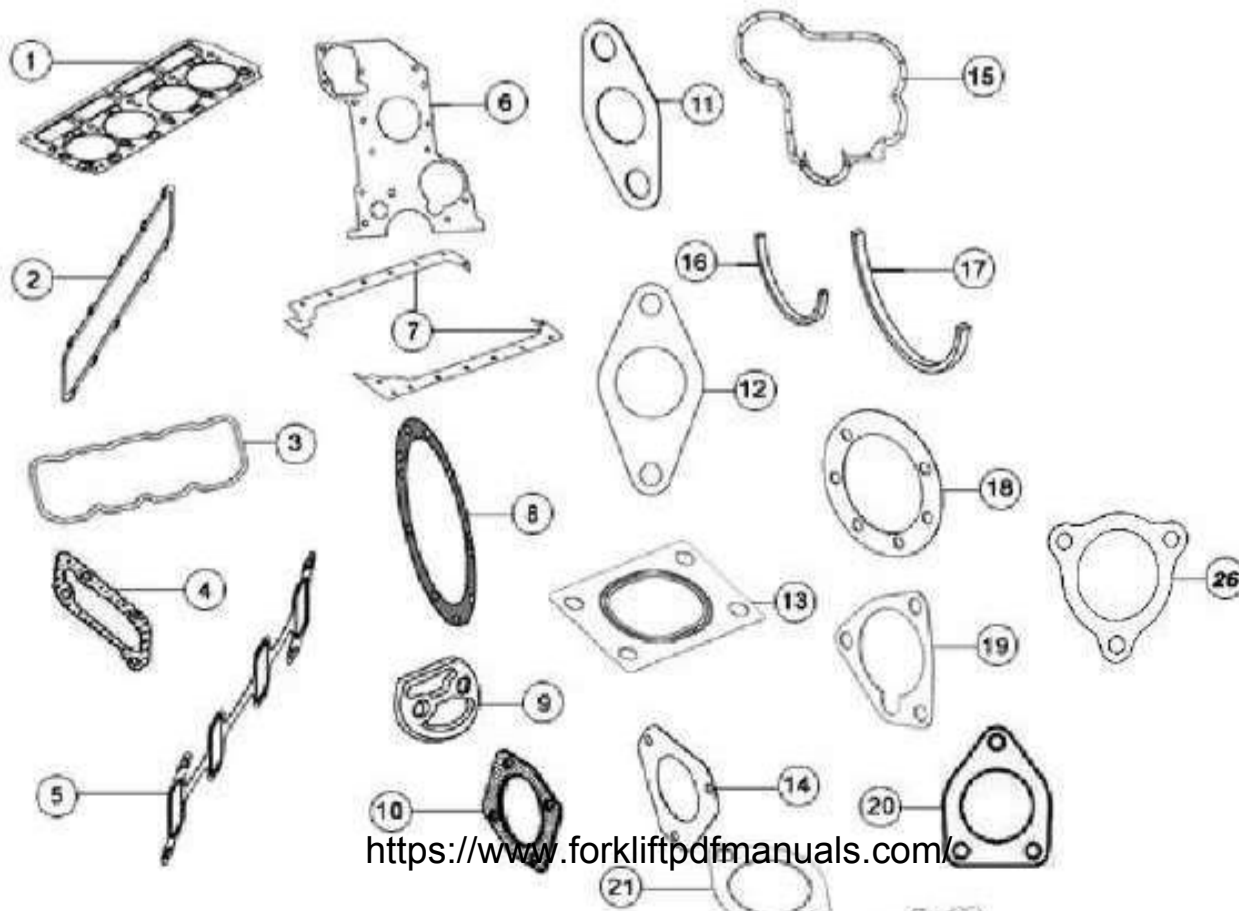


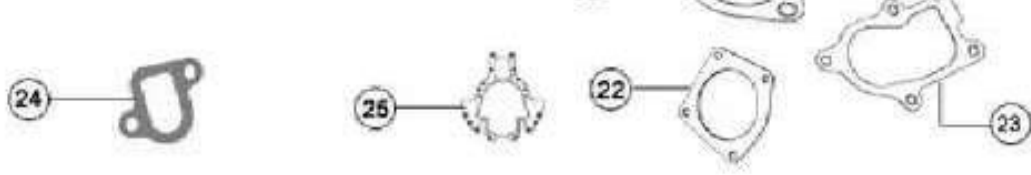


JOINTS AND GASKETS

Plate Reference	Part Number	Description	Quantity Per Group	Remarks
01	MH49SG4016	Gasket Cylinder Head for SJ436	1	
02	MH49SG4011	Joint Induction Manifold to Cylinder Head	1	
03	MH49SG4025	Joint Cylinder Head Cover	1	
04	MH49SG3003	Joint Cylinder Head Water Outlet Body	1	
05	MH49SG4012	Joint Exhaust Manifold to Cylinder Head	1	
06	MH49SG3010	Joint Timing Case to Cylinder Block	1	
07	MH49SG4057	Joint Sump to Cylinder Block	1 Set	
08	MH49S30119	Joint Rear End Oil Seal Housing to Cylinder Block	1	
9	MH49S30123	Joint Cylinder Block to Lubricating Oil Filter	1	
10	MH49S30121	Joint Water Pump Back Plate	1	
11	MH49DE0162	Joint Turbocharger Oil Drain	1	
12	MH49S30150	Joint Lubricating Oil Filler to Timing Case	1	
13	MH49DE0158	Joint Turbocharger Inlet	1	
14	MH33828112	Joint F.I.P to Timing Case	1	
15	MH49SG3042	Joint Timing Case Cover to Timing Case	1	
16	MH49S30081	Joint Lubricating Oil Sump Front	1	

JOINTS AND GASKETS

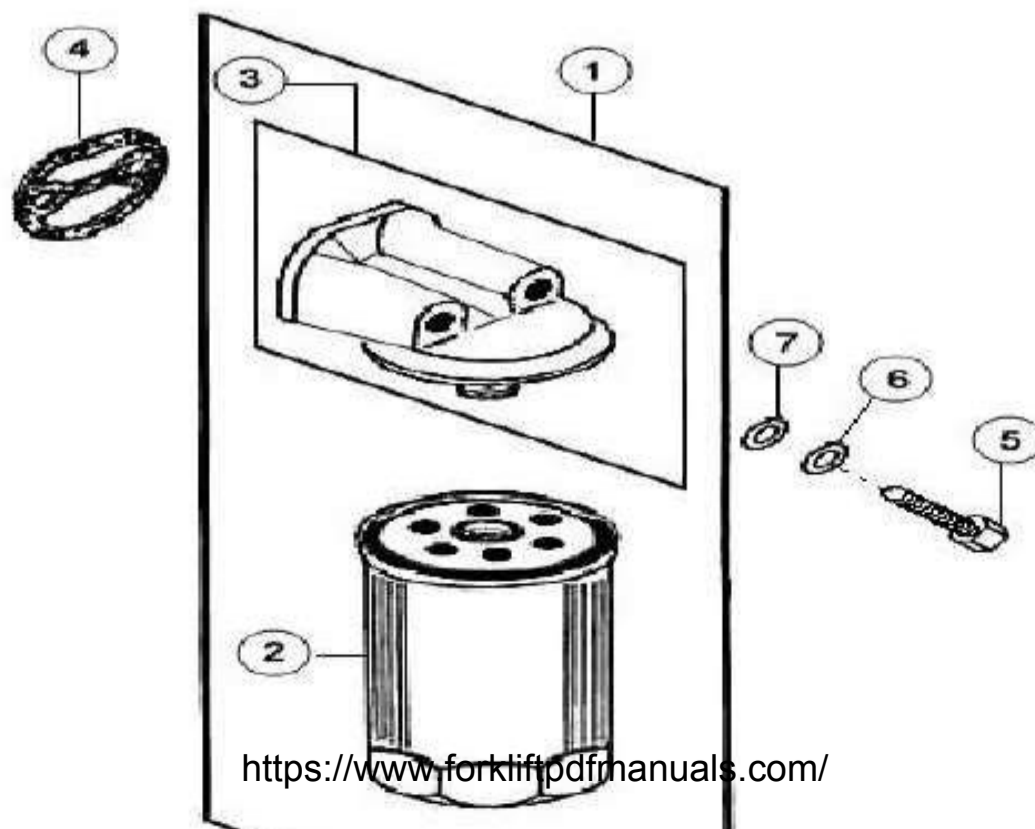




JOINTS AND GASKETS (contd..)

Plate Reference	Part Number	Description	Quantity Per Group	Remarks
17	MH49S30105	Joint Lubricating Oil Sump Rear	1	
18	MH49SG3044	Joint Lubricating Oil Filler	1	
19	MH36862511	Joint Tachometer Drive	1	
20	MH49DE0141	Gasket Feed Pump	1	
21	MH00490184	Joint Cylinder Head Water Outlet Connection Top	1	
22	MH49SG3055	Joint P.T.O Blanking	1	
23	MH49DE0157	Joint Turbocharger Exhaust Outlet	1	
24	MH49SG3004	Joint Water Inlet Body	1	
25	MH49S30151	Joint – Cyl .Block To Housing	1	
26	MH49DE0171	Joint Turbo Charger – Exhaust	1	
	MH99SG3381	Joints & Gaskets For Minor Kit	1	Not illustrated
	MH99SG4404	Joints & Gaskets For Sump Kit	1	Not illustrated
	MH99SG4405	Joints & Gaskets For Major Kit	1	Not illustrated

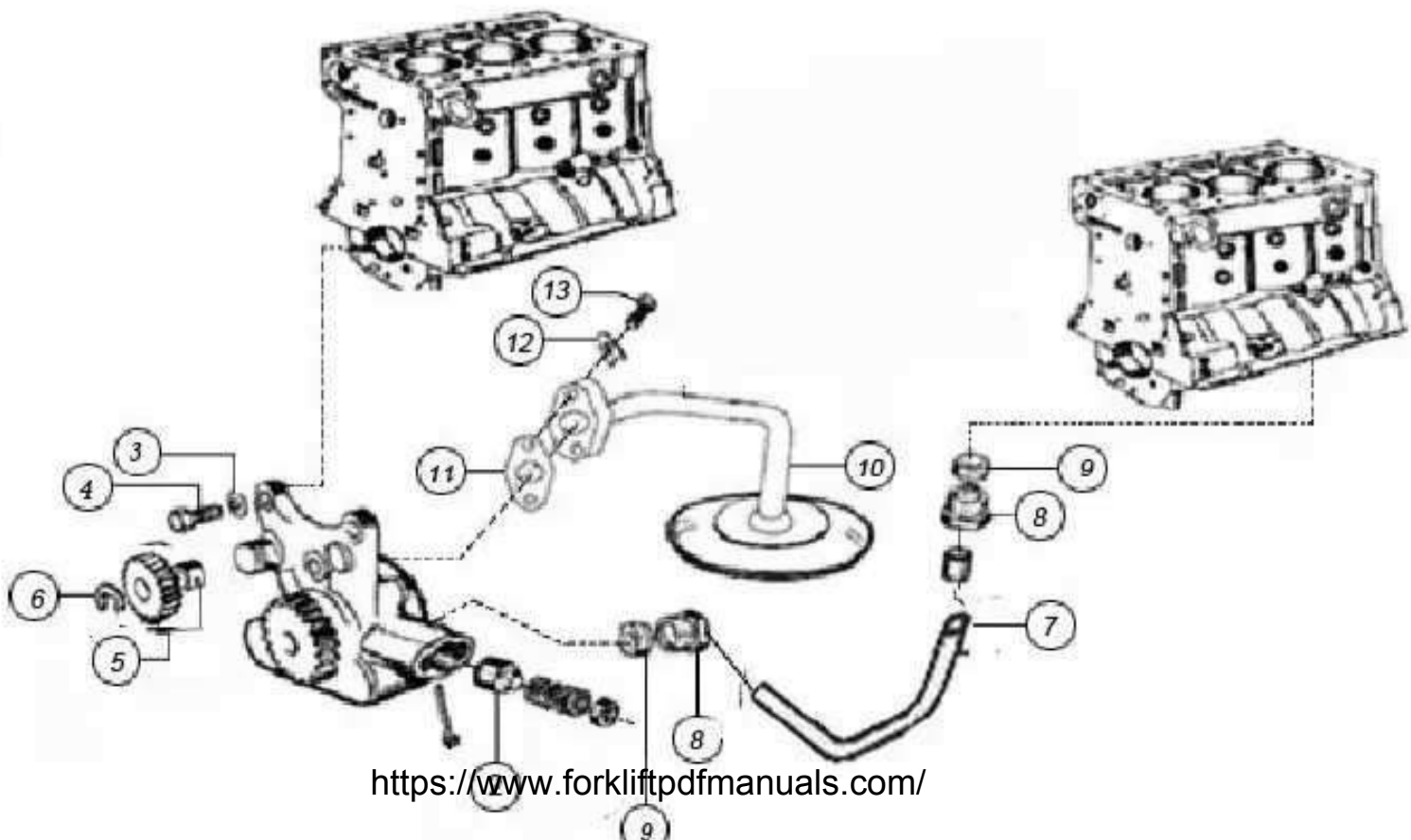
LUBRICATING OIL FILTER

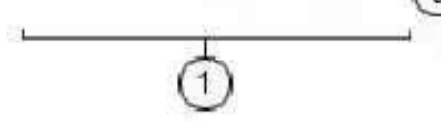


LUBRICATING OIL FILTER

Plate Reference	Part Number	Description	Quantity Per Group	Remarks
01	MHDE005501	Lubricating Oil Filter Assembly – Canister Type (Includes items 02 & 03)	1	
02	MH02654408	Lubricating Oil Filter	1	
03	MH37764251	Head Lubricating Oil Filter Assembly	1	
04	MH49S30123	Joint Cylinder Block to Lubricating Oil Filter	1	
05	MHS4007415	Setscrew Lubricating Oil Filter	2	
06	MH92DE0873	Washer Spring	2	
07	MH92DE0023	Washer Lubricating Oil Filter Head Retaining	2	

LUBRICATING OIL PUMP

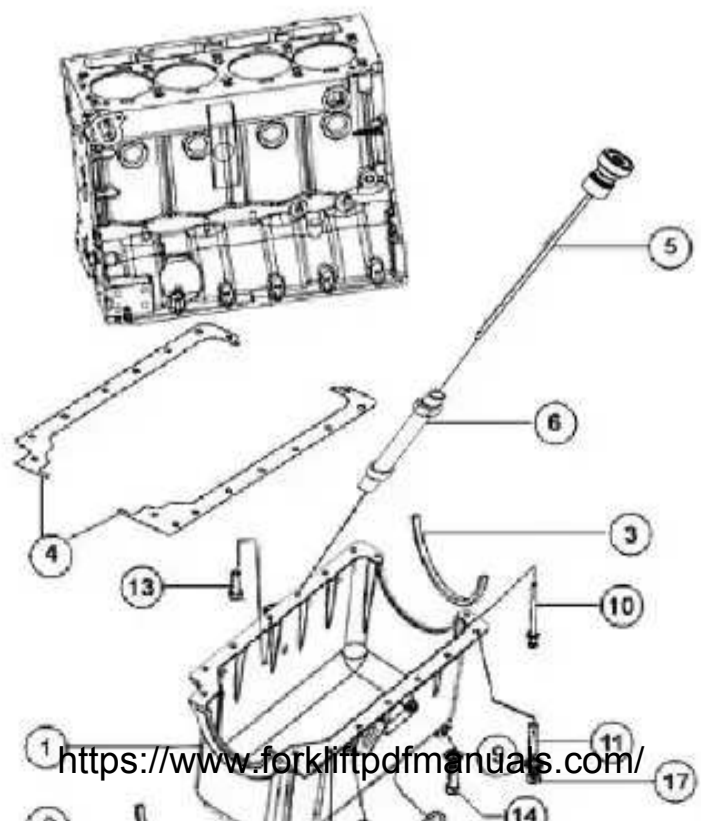


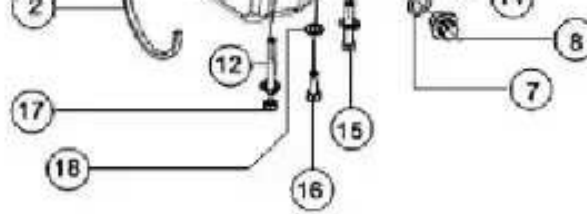


LUBRICATING OIL PUMP

Plate Reference	Part Number	Description	Quantity Per Group	Remarks
01	MH99SG4100	Pump Lub. Oil Assembly	1	
02	MH32712715	Plunger	1	Not Serviced Separately
03	MH00920053	Washer Spring, Lub Oil Pump Assy to Front Bearing Cap Setscrew	3	
04	MH74S3012L	Setscrew Lubricating Oil Pump Assembly Front Bearing Cap	3	
05	MHS4009905	Lubricating Oil Pump Idler Gear Assembly	1	
06	MH00180831	Circlip, Pump Idler Gear Retaining	1	
07	MHS4006202	Pipe, Lubricating Oil Delivery, Pump to Cylinder Block	1	
08	MHS4005711	Gland Nut Lubricating Oil Pump and Delivery Pipe	2	
09	MH00560244	Olive, Lubricating Oil Delivery Pipe	2	
10	MH99SG4116	Pipe Lubricating Oil Suction Assembly - Flange Pump	1	
11	MH00490016	Joint Lubricating, Oil Suction Pipe Flange to Pump	1	
12	MH00920798	Washer Tab Lub Oil Suction Pipe Flange	2	
13	MHS4007403	Setscrew Suction Pipe to Oil Pump	2	

LUBRICATING OIL SUMP

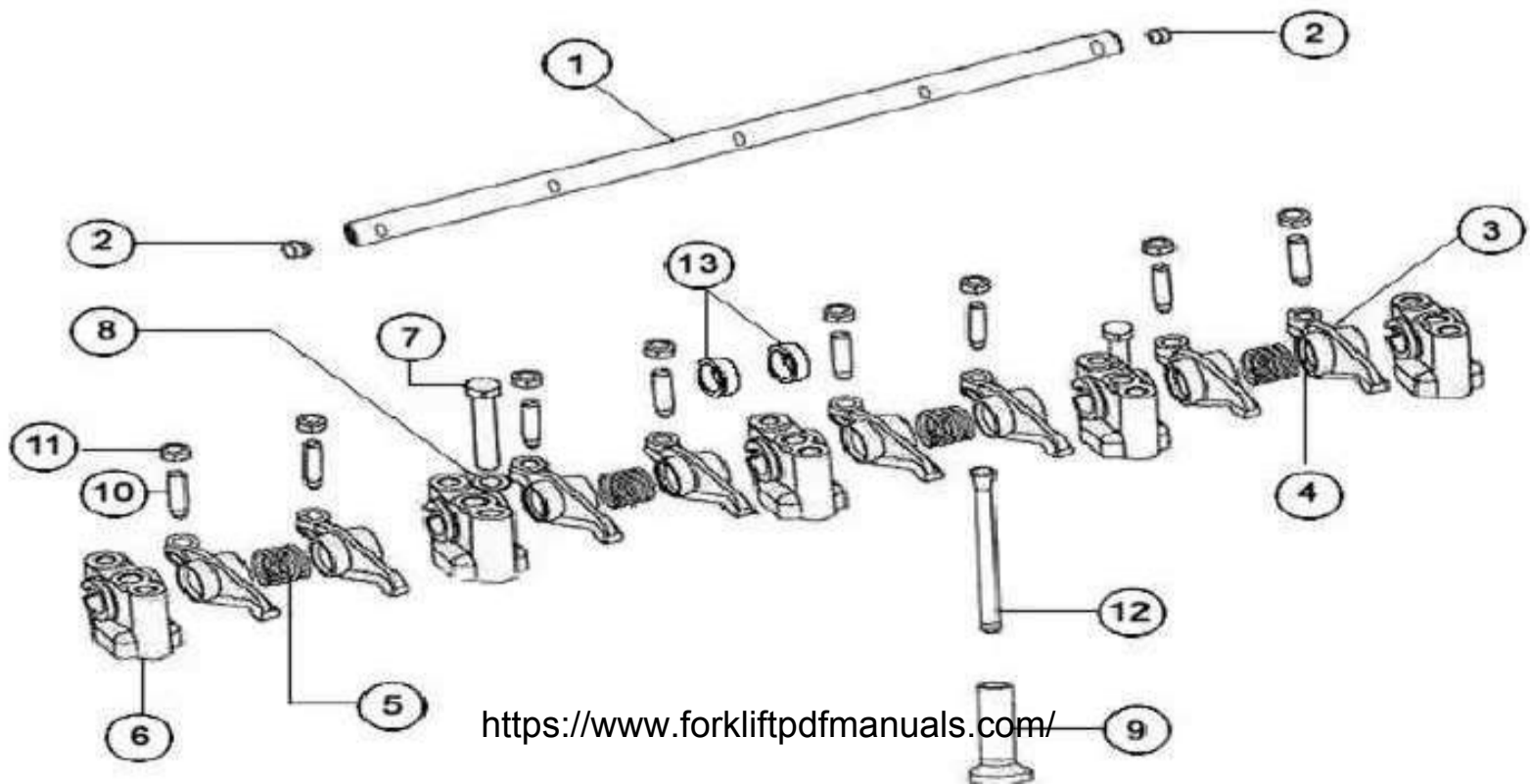




LUBRICATING OIL SUMP

Plate Reference	Part Number	Description	Quantity Per Group	Remarks
01	MH83SG4028	Sump Lubricating Oil	1	
02	MH49S30081	Joint Sump To Cylinder Block – Front	1	
03	MH49S30105	Joint Sump To Cylinder Block – Rear	1	
04	MH49SG4057	Joint Lubricating Oil Sump to Block Assembly	1 Set	
05	MH32SG4013	Dipstick	1	
06	MH99SG4460	Tube Dipstick Assy	1	
07	MH73S30025	O Ring	1	
08	MH65S30050	Plug Sump Drain	1	
09	MH00920053	Spring Washer	17	
10	MHS4007471	Setscrew Sump to Rear End Oil Seal Housing	2	
11	MHS4008216	Stud Cylinder Block to Sump – Rear	2	
12	MHS4008244	Stud Sump to Timing Case – Front	3	
13	MHS4007470	Setscrew Lub Oil Sump to Cylinder Block	4	
14	MH74SG4008	Setscrew Lub Oil Sump to Cylinder Block	3	
15	MH74S30242	Setscrew Lub Oil Sump to Cylinder Block	3	
16	MH74DE0250	Setscrew Lub Oil Sump to Cylinder Block Bracket	1	
17	MH S4005702	Nut Sump to Block	5	
18	MH00920053	Spring Washer	1	

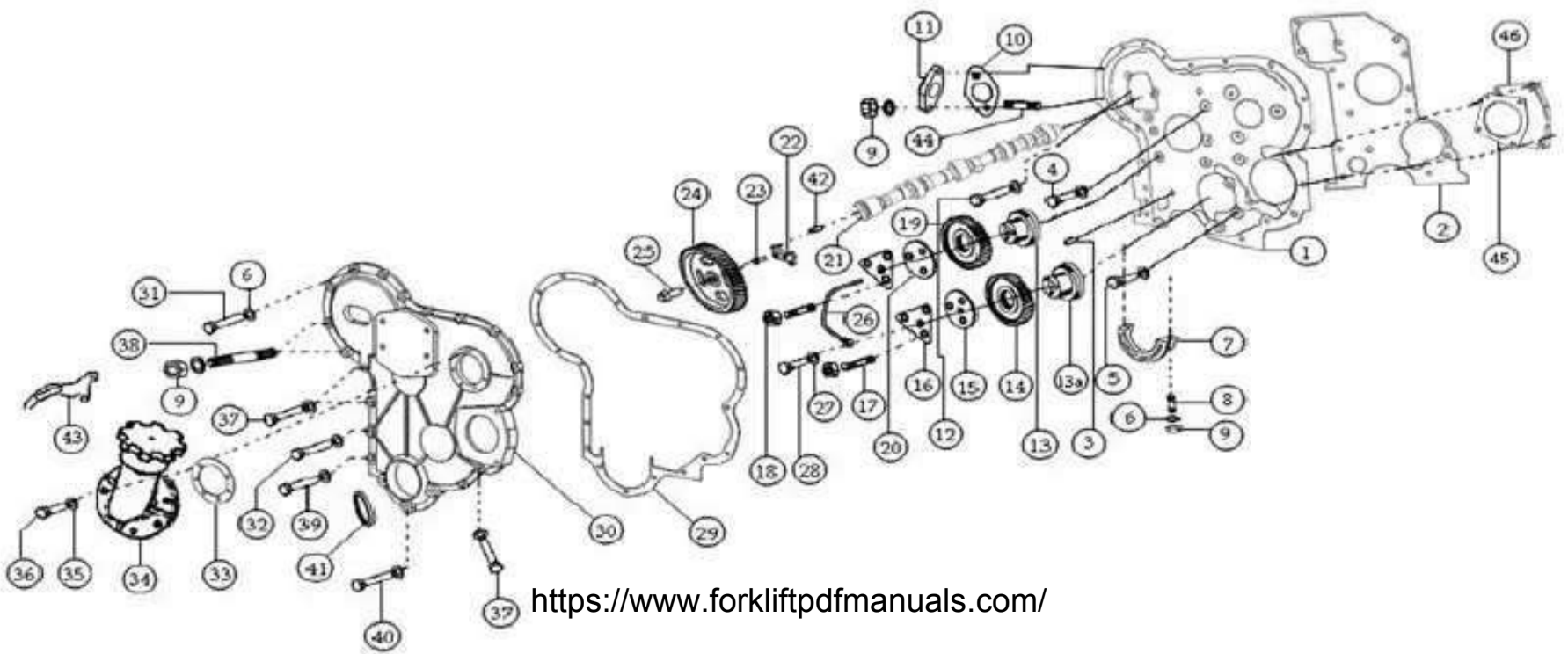
ROCKER SHAFT ASSEMBLY



ROCKER SHAFT ASSEMBLY

Plate Reference	Part Number	Description	Quantity Per Group	Remarks
	MH99SG4043	Rocker Shaft Assembly (Includes Items 1,2,3,4,5,6,10&11)	1Set	
01	MH75SG4002	Rocker Shaft	1	
02	MH00650507	Plug Rocker Shaft End	2	
	MH99SG3022	Rocker Arm Assembly (Includes Items 3 & 4)		
03	MH72SG3001	Rocker Lever	8	
04	MH05SG3001	Bush Rocker Lever	8	
05	MH78SG3003	Spring Rocker Shaft Front & Rear	4	
06	MH10SG3003	Bracket Rocker Shaft	5	
07	MH74DE0219	Setscrew Rocker Bracket	10	
08	MH00920053	Washer Rocker Bracket	10	
09	MH86SG3001	Tappet	8	
10	MH72SG3001	Tappet Adjusting Screw	8	
11	MH57SG3001	Locknut Tappet Adjusting Screw	8	
12	MH70SG3001	Push Rod	8	
13	MH33SG4001	Spacer Rocker Shaft	2	

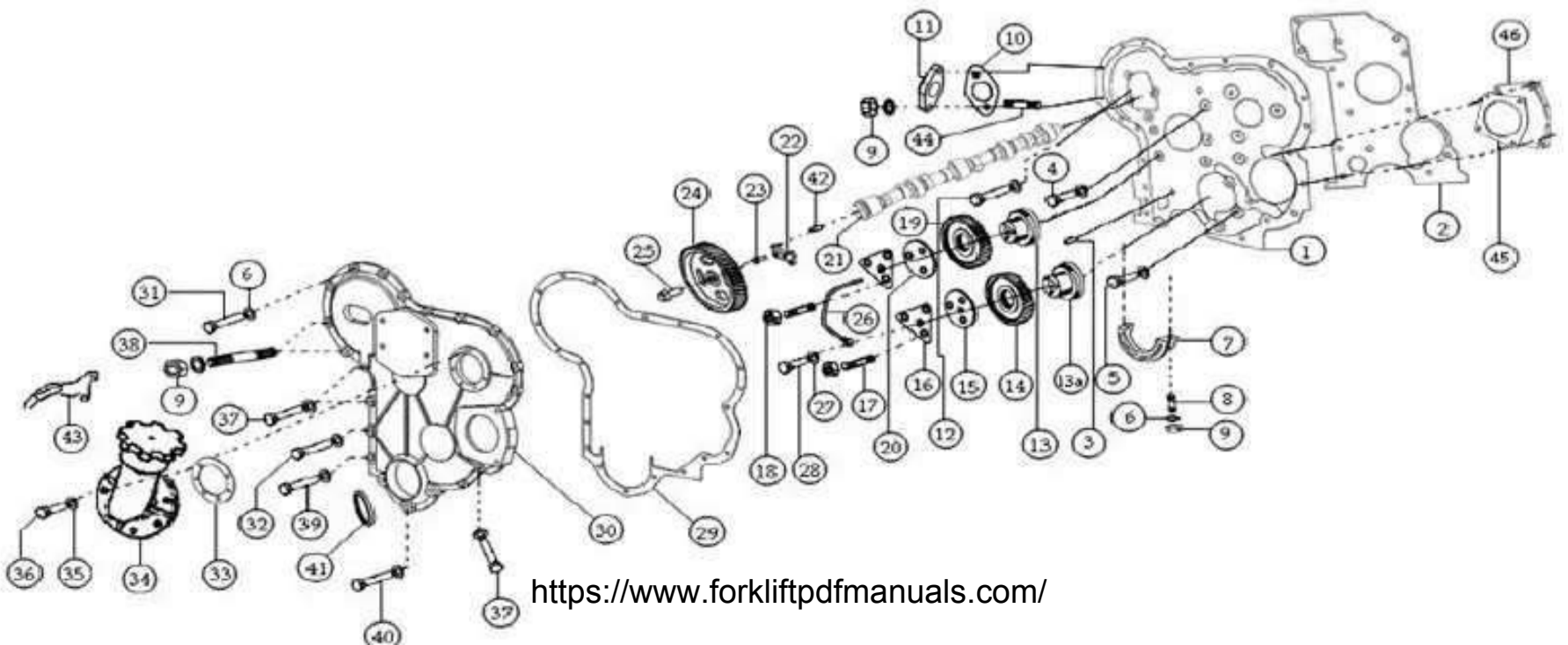
TIMING GEAR AND CAMSHAFT



TIMING GEAR AND CAMSHAFT

Plate Reference	Part Number	Description	Quantity Per Group	Remarks
01	MH44SG4029	Timing Case	1	
02	MH49SG3010	Joint Timing Case to Block	1	
03	MH00350016	Dowel	2	
04	MHS4007403	Setscrew	8	
05	MH74S30121	Setscrew	1	
06	MH00920053	Washer	42	
07	MH24S30111	Bridge Piece	1	
08	MHS4008214	Stud	5	
09	MHS4005702	Nut	11	
10	MH49S30150	Joint Blanking Lubricating Oil Filler	1	
11	MH94S30199	Blanking Plate Lubricating Oil Filler	1	
12	MHS4007432	Setscrew	3	
13	MHS4004501	Hub Idler Upper	1	
14	MHS4009937	Gear Lower Idler	1	
15	MHS4009404	Plate Idler Gear Lower	1	
16	MHS4009201	Thrust Washer	2	
17	MHS4008206	Stud	6	
18	MHS4005703	Nut	6	

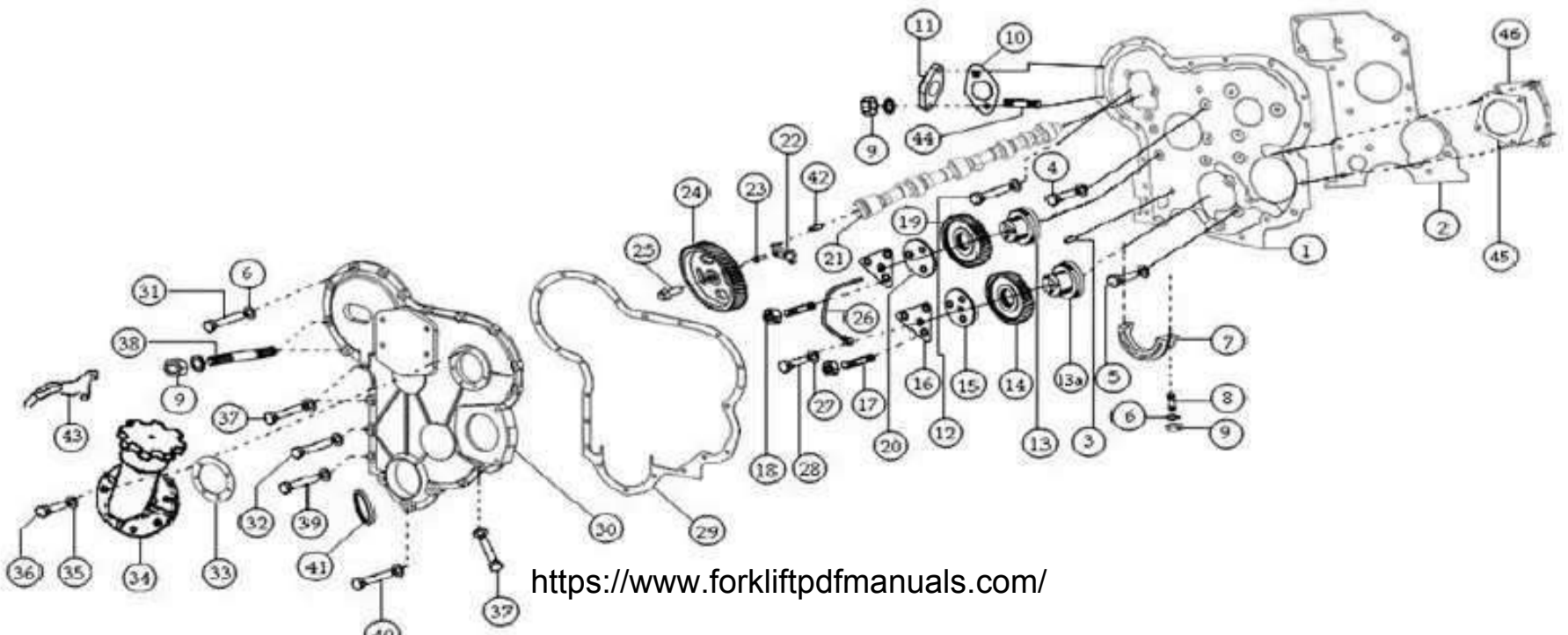
TIMING GEAR AND CAMSHAFT



TIMING GEAR AND CAMSHAFT

Plate Reference	Part Number	Description	Quantity Per Group	Remarks
19	MHS4004126	Gear Idler Upper	1	
20	MHS4009401	Plate Idler Gear Upper	1	
21	MH14SG4008	Camshaft	1	
22	MH31SG3001	Thrust Washer	1	
23	MH74DE0844	Setscrew	2	
24	MH41SG3001	Camshaft Gear	1	
25	MH2314J603	Setscrew	1	
26	MHS4009906	Pipe Lubricating Oil Idler	1	
27	MH92DE0003	Banjo Washer	2	
28	MHS4000901	Banjo Bolt	1	
29	MH49SG3042	Joint Front Cover to Timing Case	1	
30	MH99SG4198	Timing Case Cover Assembly With Cover & Seal	1	
31	MHS4007403	Setscrew	8	
32	MHS4007404	Setscrew	1	
33	MH49SG3044	Joint Lubricating Oil Filler	1	
34	MH99SG3147	Lubricating Oil Filler Assembly	1	
35	MH00920052	Spring Washer	6	

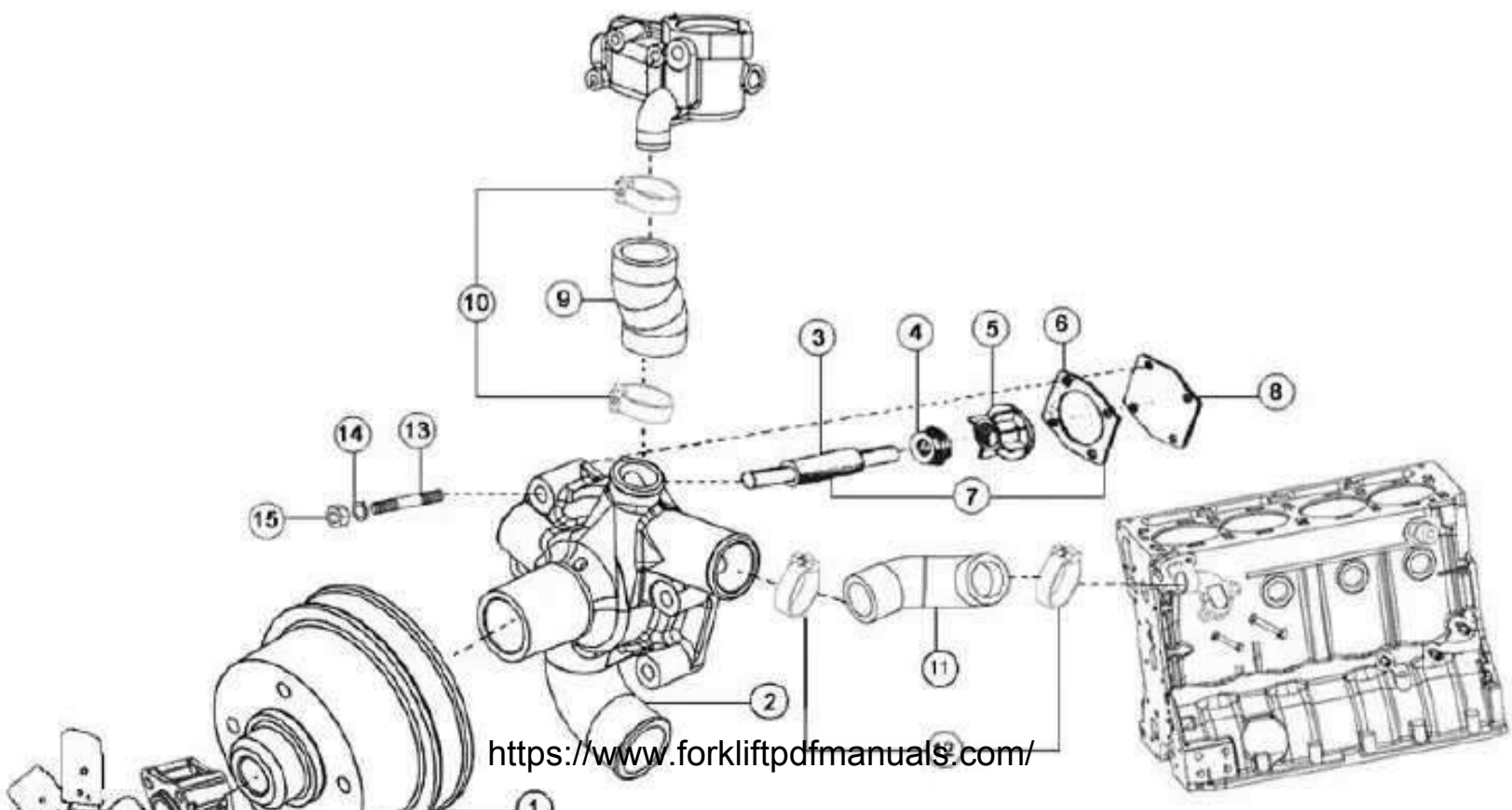
TIMING GEAR AND CAMSHAFT

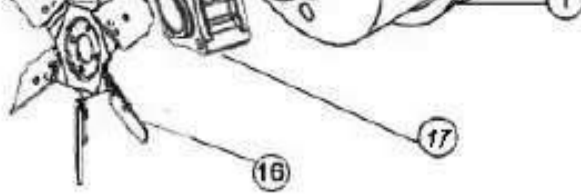


TIMING GEAR AND CAMSHAFT

Plate Reference	Part Number	Description	Quantity Per Group	Remarks
36	MHS4007402	Setscrew	6	
37	MHS4007410	Setscrew	6	
38	MH82S30106	Stud	4	
39	MHS4007405	Setscrew	1	
40	MHS4007406	Setscrew	3	
41	MH02415344	Seal Timing Case Cover	1	Not Serviced Separately
42	MH00350005	Dowel - Camshaft	1	
43	MHS4009415	Timing Pointer	1	
44	MHS4008217	Stud Lubricating Oil Filler Blanking to Timing Case	2	
45	MH49SG3055	Rubber Joint P.T.O Plate	1	
46	MH94SG3006	Plate P.T.O Blanking	1	

WATER PUMP ASSEMBLY

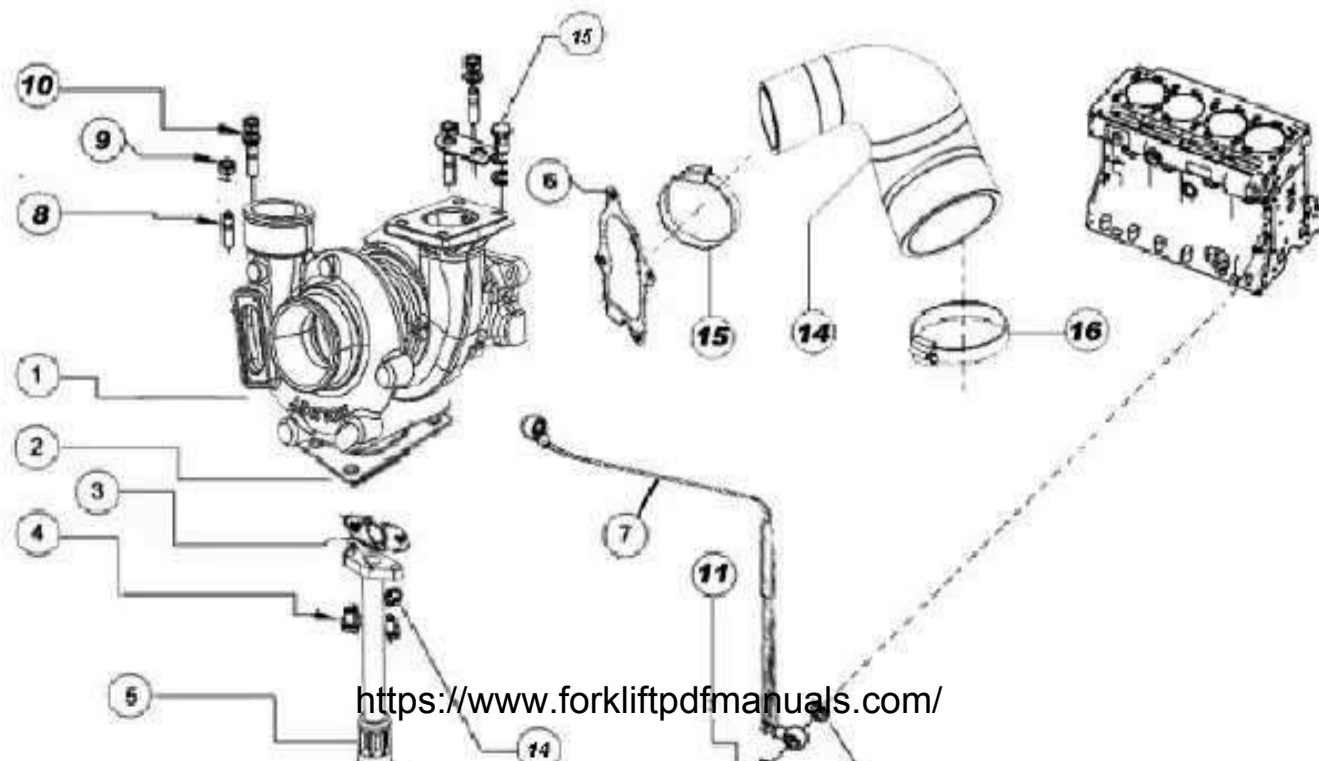


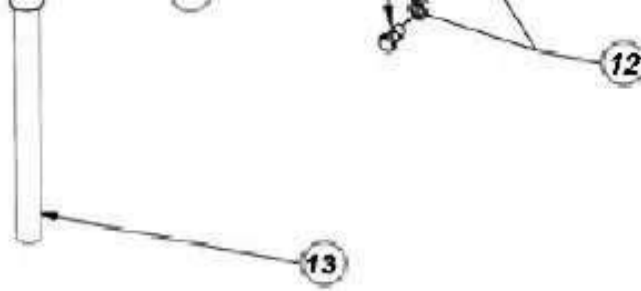


WATER PUMP ASSEMBLY

Plate Reference	Part Number	Description	Quantity Per Group	Remarks
01	MH99SG4126	Water Pump Assembly	1	
02	MH67SG4012	Pulley Water Pump	1	
03	MH00032346	Shaft Water Pump	1	
04	MH2418M006	Seal Water Pump (Unitized)	1	
05	MH37447194	Impeller Water Pump	1	
06	MH49S30121	Joint Water Pump Back Plate	1	
07	MHDE006092	Water Pump Kit (Includes – 3,4,5 & 6)		
08	MH94S20189	Back Plate Water Pump Body to Timing Case Front Cover	1	
09	MH20SG4029	Hose Bypass Connection to Water Pump Body	1	
10	MH00180064	Clip Water Connection Hose	2	
11	MH20SG4025	Hose Water Pump Outlet to Cylinder Block Water Inlet	1	
12	MH00180067	Clip Water Connection Hose	2	
13	MH82S20071	Stud Water Pump Mounting	4	
14	MH00920053	Spring Washer	4	
15	MHS4005702	Nut	4	
16	MH00360091	Fan 17 Dia. Pusher Type	1	
17	MH36DE0010	Fan Extension	1	

TURBOCHARGER





TURBOCHARGER

Plate Reference	Part Number	Description	Quantity Per Group	Remarks
01	MHDE006234	Turbocharger for SJ436 Engine	1	
02	MH49DE0158	Joint Turbocharger Inlet	1	
03	MH49DE0162	Joint Turbocharger Oil Drain	1	
04	MHS4007418	Setscrew Joint Turbocharger Oil Drain	2	
05	MH99SG4354	Pipe Assembly Turbocharger Oil Drain	1	
06	MH49DE0157	Joint Turbocharger Exhaust Outlet	1	
07	MH99SG4320	Pipe Assembly Turbocharger Oil Feed	1	
08	MH82SG4005	Stud Turbocharger to Exhaust Manifold	4	
09	MHS4005702	Nut	4	
10	MH00920053	Washer	2	
11	MH09DE0006	Banjo Bolt Pipe Assembly Oil Feed (Block End)	1	
12	MH92DE0009	Banjo Washer Pipe Assembly Oil Feed	4	
13	MH20SG4052	Union Turbocharger Oil Drain	1	
14	MH20SG4060	Hose Turbocharger to Inlet Manifold	1	
15	MH18SG4002	Hose Clip Turbocharger End	1	
16	MH02481830	Hose Clip Manifold End	1	
17	MH00920052	Washer Joint Turbocharger Oil Drain	1	
18	MH9DE0025	Banjo Bolt Pipe Assembly Oil Feed (Turbocharger End)	1	

BRACKET ALTERNATOR

