

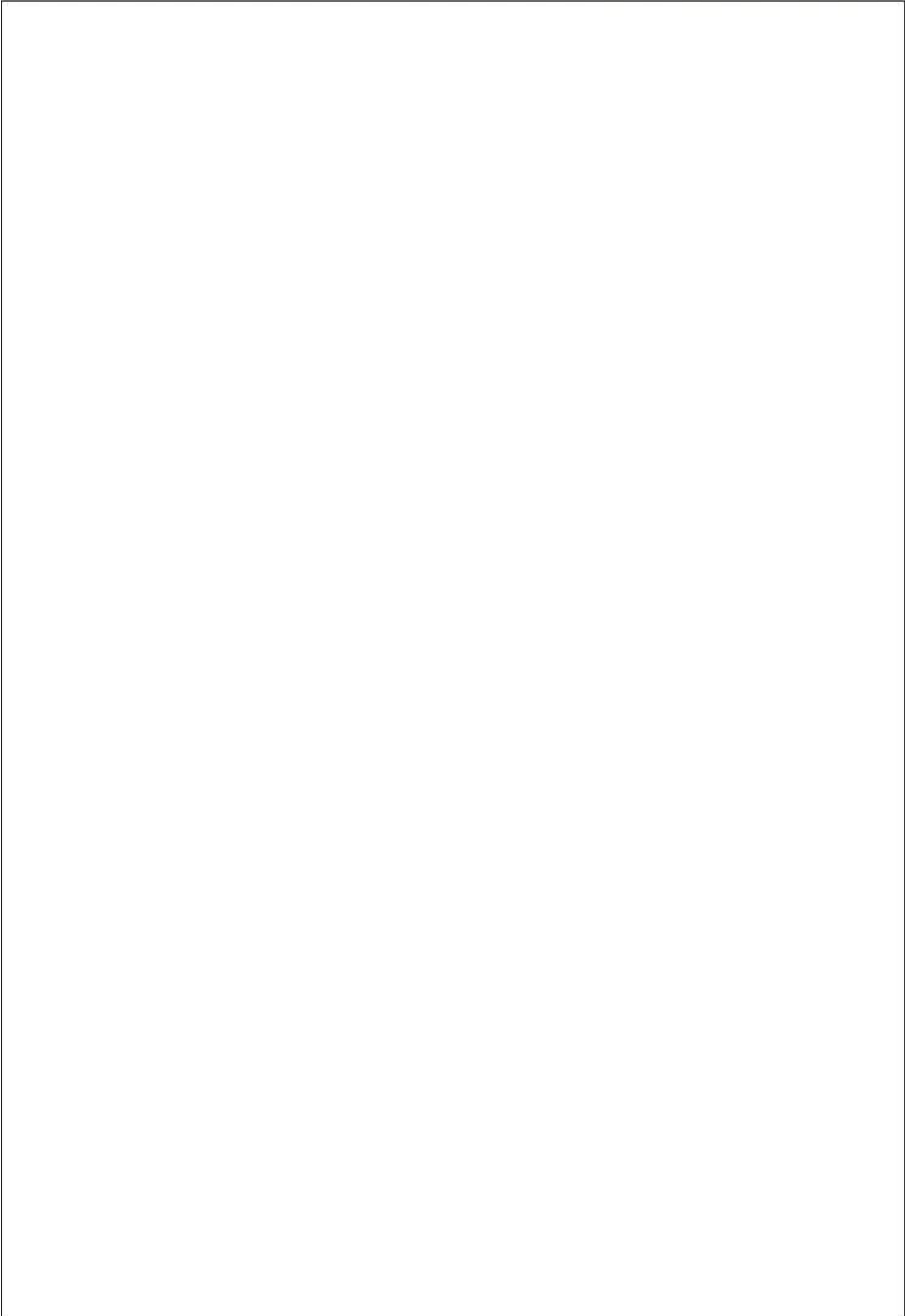
PARTS MANUAL

VOLTAS DIESEL FORKLIFT TRUCK

MODEL: DVXi-FC

PART NO: MHPC00083A1

VALID FOR TRUCK NO:





VOLTAS

MATERIAL HANDLING

Voltas Material Handling Pvt. Ltd.
2nd Pokhran Road, Thane (W) - 400 601. INDIA

CATALOGUE FEEDBACK FORM

(Please send to us your feedback, to serve you better)

COMPANY NAME: _____

CONTACT PERSON: _____

ADDRESS: _____

CITY: _____ STATE: _____

STD CODE/TELEPHONE NOS.: _____

FAX: _____ E-MAIL: _____

SITE ADDRESS: _____

FORKLIFT Purchase Details: _____

DATE OF PURCHASE: _____

VOLTAS BRANCH: _____

FORKLIFT MODEL: _____ TRUCK NO.: _____

	GOOD	OK	BAD
How is the print quality of the catalogue			
How is the content of the catalogue			

The Catalogue is easy to use	YES	NO
Is this catalogue in anyway better than previous/other catalogue	YES	NO
Searching for information in the catalogue is easy	YES	NO
You would like us to add more information to this catalogue	YES	NO

If YES, please mention

Please tell us how we can improve this Catalogue

KNDLY MAIL /FAX THIS FORM TO
ALL INDIA SERVICE DEPARTMENT
VOLTAS MATERIALS HANDLING PRIVATE LIMITED
2nd, Pokhran Road, Thane 400601
Tel.: (022) 67920211
Fax : (022) 67920164

F:KT:MH:308:002:00



Voltas Material Handling Pvt. Ltd.

2nd Pokhran Road, Thane (W) - 400 601. INDIA

CUSTOMER FEEDBACK ON DELIVERY & COMMISSIONING

Name of Organization: _____

Address: _____

City: _____ Pin: _____

Name: _____ Designation: _____

Tel.: _____ Fax: _____ e-mail: _____

Forklift Model: _____ SL No.: _____ Date Received: _____

Date Commissioned: _____

1. Is it the first time you have Purchased Forklift ? (Please Tick) Yes _____ No _____
If your answer is No to the first question kindly furnish following data

Number of Forklifts Presently Owned by you						Diesel Powered			Battery	LPG
Makes	0-2Yrs	2-5Yrs	5-10Yrs	Above 10 yrs	Total	Upto 3T	4-6T	Above 6T	Powered	Powered
Voltas										

2. Kindly rate us on the following points against supply of this Forklift truck (Please Tick appropriate Boxes)

	V. Poor	Poor	Satisfactory	Good	Excellent
1 Response from Voltas during Enquiry & Order Execution					
2 Communication during order execution					
3 Your first impression on arrival of Forklift					
4 Condition of the Equipment at the time of Arrival					
5 Timely arrival of Service Person & commissioning					
6 Training of operators & maintenance personnel					
7 Equipment meeting your specified requirements					
8 Clarity in Manuals					
9 Honouring Delivery Commitment					
10 Honouring of other contractual obligations until now					

If yes please furnish details

3. Damages During Transit ? Yes _____ No _____

4. Short Receipts ? Yes _____ No _____



Kindly let us know your expectations on the following

Any other product or service/training requirements? _____

1. Service Response ? _____

2. Parts Delivery ? _____

3. Frequency of visits ? _____

1. SUGGESTIONS

What are the most important things in your opinion Voltas should improve / implement immediately ?

Signature _____

Thank you very much for sparing your valuable time



USER INFORMATION

To verify this manual is correct for this truck compare the model with the nameplate on the truck.

Refer to table of contents for nameplate location and information. If the model in this manual does not agree with the information on the nameplate contact your nearest VOLTAS OFFICE.

This parts manual is applicable for following models of voltas DVX range diesel operated forklift trucks with HVM Mast and S433(I) model of engine.

MODEL : DVX 15

: DVX 20

: DVX 25

: DVX 30

SPECIAL NOTE

This part manual contains complete and accurate information available at the time of publication for the components and systems listed. VOLTAS reserves the right to make changes to its product at any time and the possibility exists that latter changes are not included in this manual. If your forklift truck is equipped with special options that are not covered in this part manual, you should contact your local VOLTAS OFFICE for additional information.

ATTACHMENT

If your forklift truck was ordered with special attachments that are not covered in this Standard Parts Manual, you should contact your local Voltas Offices for Attachment Part Manuals.

EXPLANATION OF MODEL

D	V	X	30	FC	P	S	2360
FUEL	MANUFACTURER	TYPE	CAPACITY	TRANSMISSION	TYRES	MAST	MAST-HEIGHT

FUEL: **D** DIESEL

MANUFACTURER: **V** VOLTAS LIMITED

TYPE: **X** NEW SERIES

CAPACITY :

15	1500KG
20	2000KG
25	2500KG
30	3000KG

TRANSMISSION: **FC** FLUID COUPLING
AT AUTOMATIC TRANSMISSION

TYRES: **P** PNEUMATIC
BC BEARCAT
PD PNEUMATIC DUAL
BCD BEARCAT DUAL

MAST: **S** SIMPLEX - HVM MAST
T TRIPLEX - HVT MAST
HI-LO SIMPLEX - HILO MAST

MAST-HEIGHT: **2360** HEIGHT IN mm

CONTENTS

SR NO	DESCRIPTION	PAGE
1	General Truck	12-13
2	Equaliser Bar Assembly	14-15
3	Fluid Coupling Assembly	16-17
4	Engine To Fluid Coupling-Transmission	18-19
5	Fuel Tank Cover Assembly	20-21
6	Hydraulic Tank Assembly	22-23
7	Accelerator Assembly	24-25
8	Brake Pedal And Linkage	26-27
9	Brake Tube Assembly	28-29
10	Hydraulic Wheel Cylinder	30-31
11	Parking Brake Installation	32-33
12	Starting Battery	34-35
13	Instrument Panel Assembly	36-41
14	Wiring Diagram (General)	42-43
15	2,3&4, Spool Single Function Control Valve and Linkage	44-51
16	Canopy Installation	52-53
18	Counter Weight Installation	54-63
19	Air Intake System	64-67
20	Exhaust System	68-69
21	Exhaust system with EGP Spark arrester	70-73
22	Steer Axle Assembly	74-77
23	Hoist Cylinder Assembly	78-81
24	Tilt Cylinder Assembly	82-83
25	Steer Cylinder Assembly	84-85
26	High Visibility Mast Assembly	86-89
27	HVT MAST ASSEMBLY	90-95
28	Hydraulic System	96-125
29	Steering System	126-127
30	Fuel Line Diagram (Simpson S4 Engine)	128-129
31	Clutch Assembly	130-131
32	Transmission Assembly	132-137

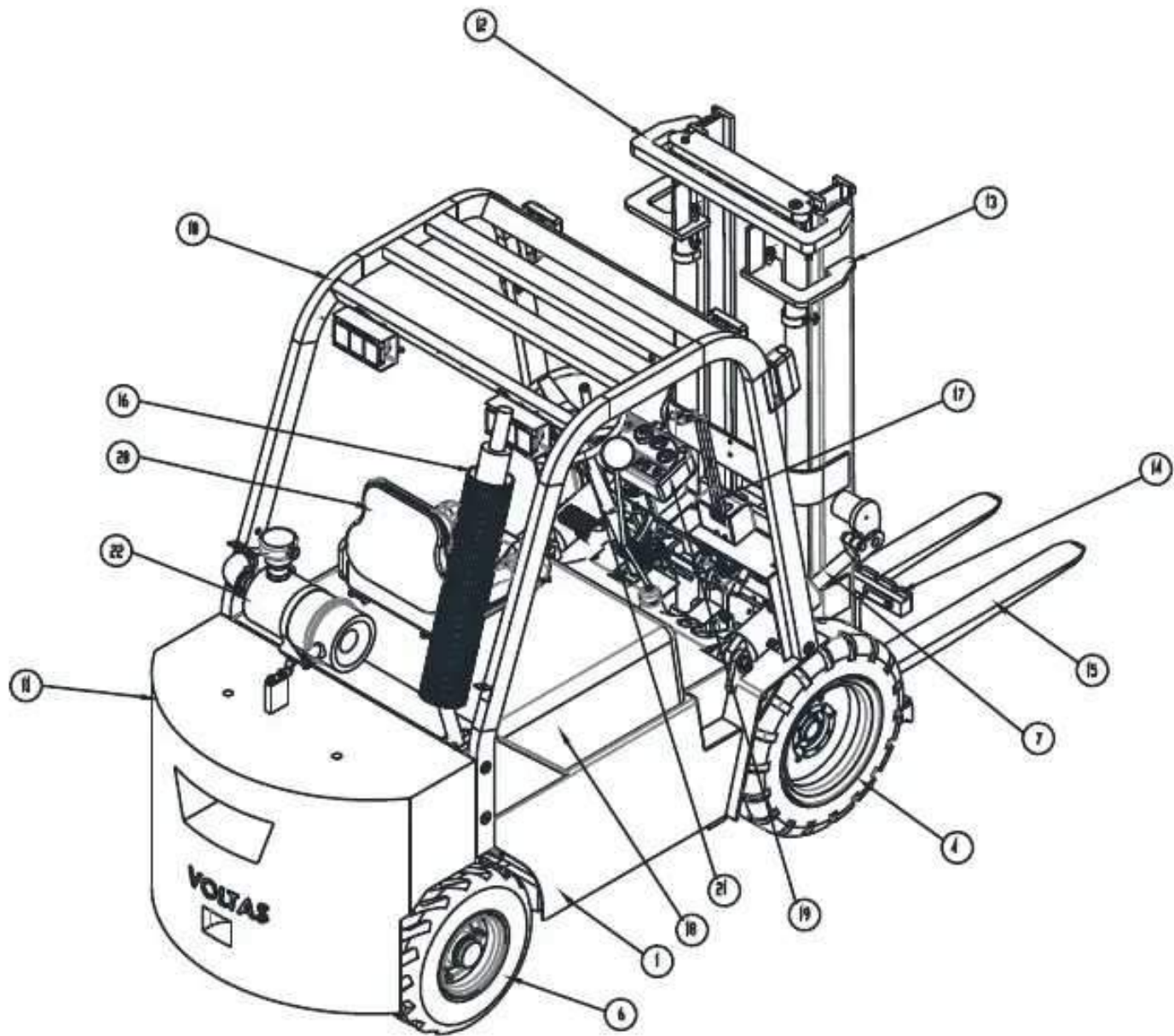


CONTENTS

SR NO	DESCRIPTION	PAGE
33	Differential, Ring Gear and Pinion Assembly	138-139
34	Hydraulic Wheel Brakes	140-141
35	Brake Mast Cylinder	142-143
36	Drive Axle Assembly (Bear Cat)	144-148
37	Clutch Pedal and Linkage	149-151
38	Main Hydraulic Pump Drive Assembly	152-153
39	Wheels and Tyres (Bear Cat)	154-155
40	Wheels and Tyres (Pneumatic)	156-157
41	Cowl Assembly	158-159

~~PARTS INFORMATION~~

This Parts Manual contains complete and accurate parts replacement information available at the time of publication for the components and systems installed on a standard forklift truck and some commonly ordered options. However, Voltas reserves the right to make changes to its product at any time and the possibility exists that later changes are not included here. Please contact your local Voltas Offices if you need additional parts information



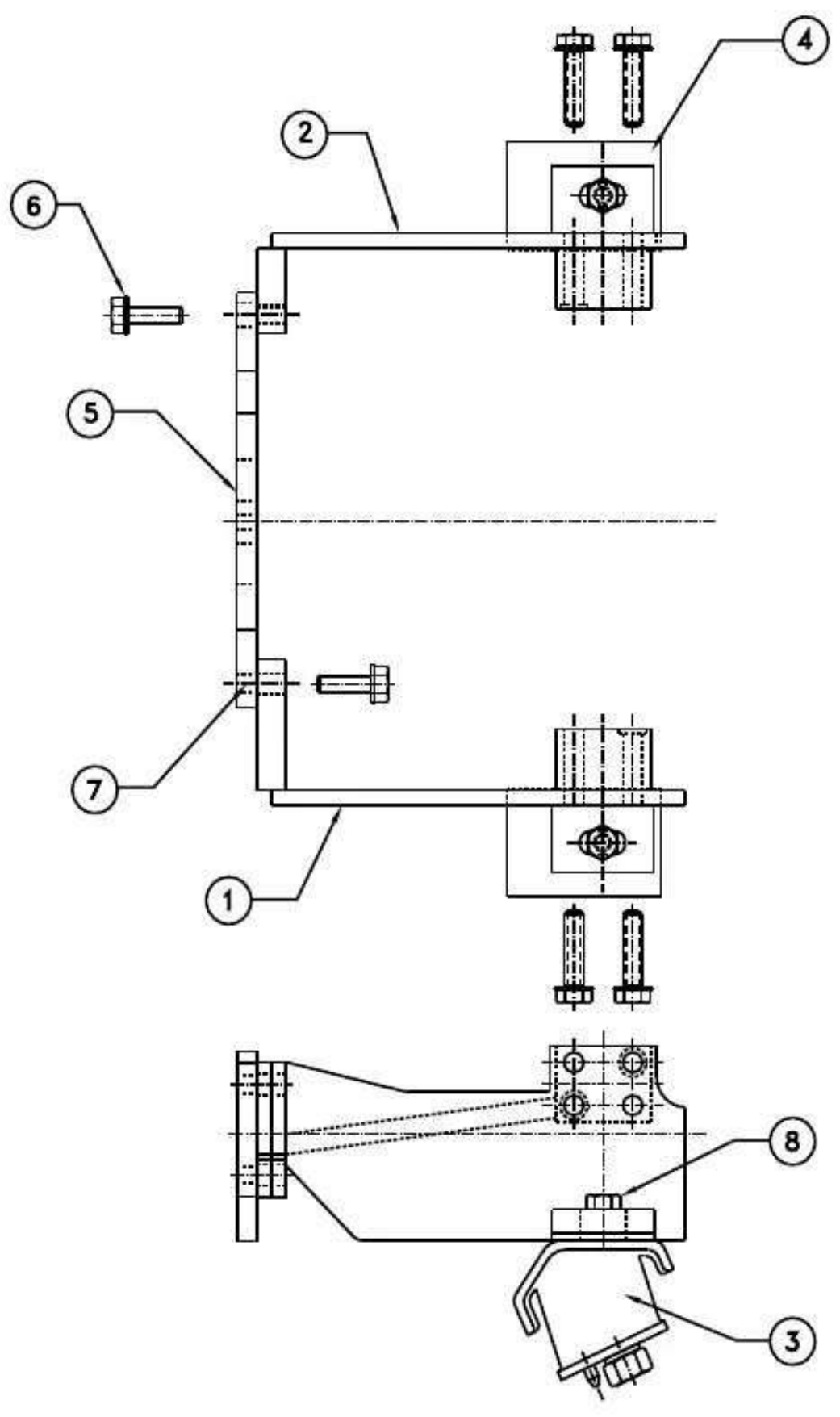
GENERAL TRUCK

GENERAL TRUCK

ITEM NO.	PART NO.	DESCRIPTION	QTY.	REMARKS
1	MH40230	MAIN FRAME	1	
2	MH40561	ENGINE - SIMPSONS S4	1	
3	MH796458000	GEAR BOX ASSLY	1	
4	MH796416048	DRIVE WHEEL AND TYRE (BEARCAT)	2	
5	MH796425048	DRIVE WHEEL AND TYRE (PNEUMATIC)	2	
6	MH796403000	STEER AXLE ASSEMBLY	1	
7	MH11434	TRAIL WHEEL AND TYRE (BEAR CAT)	2	
8	MH796425028	TRAIL WHEEL AND TYRE (PNEUMATIC)	2	
9	MH40504	TILT CYLINDER ASSLY	1	
10	MH18538	RADIATOR WITH OIL COOLER	1	
11	MH40386	CANOPY ASSLY	1	
12	MH796417000	COUNTER WEIGHT (CASTING)	1	
13	MH40158	COUNTER WEIGHT (FABRICATED)	1	
14	MH40707	HVT 2125 MAST ASSEMBLY	1	
15	MH12010	CARRIAGE ASSEMBLY-3TON	1	
16	MH17963	FORK(125x45x1000)	2	
17	MH16937	EXHAUST SYSTEM	1	
18	MH42034	2 SPOOL CONTROL VALVE INSTLN	1	
19	MH40710	ENGINE HOOD INSTALLATION	1	
20	MH796418538	INSTRUMENT PANEL ASSLY	1	
21	MH796412512	SEAT ASSLY	1	
22	MH42068	STEERING WHEEL	1	
23	MH40670	AIR CLEANER ASSEMBLY		
24	MH40648	BATTERY BRACKET	1	
	MH785211802C	12 VOLT BATTERY	1	

ITEMS NOT SHOWN

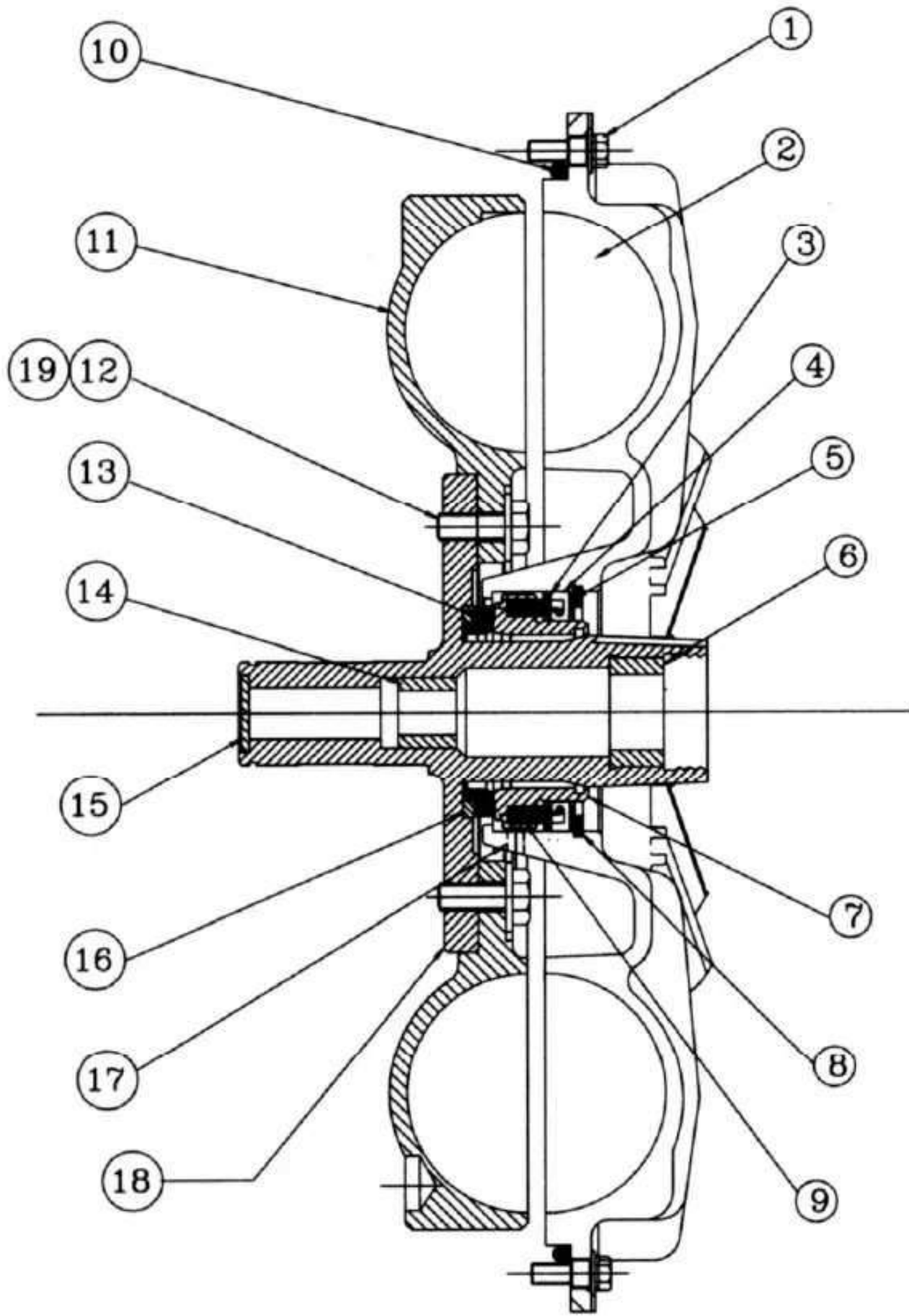
	MH16971	RADIATOR UPPER HOSE	1	
	MH16970	RADIATOR LOWER HOSE		
	MH796407052	RADIATOR PIPE OUTLET (TOP)		



**EQUALISER BAR ASSEMBLY
(MH 796407863)**

EQUALISER BAR ASSEMBLY (MH 796407863)

ITEM NO.	PART NO.	DESCRIPTION	QTY.	REMARKS
1	MH796407842	EQUALISER BAR RH	1	
2	MH796407852	EQUALISER BAR LH	1	
3	MH16874	ENGINE MOUNTING RH	1	
4	MH16875	ENGINE MOUNTING LH	1	
5	MH796407759	CROSS MEMBER	1	
6	MH992273423	HEX.HEAD SCREW	4	
7	MH992785644	LOCK WASHER	4	
8	MH016247600	DOWEL PIN	2	
ITEM NOT SHOWN				
9	MH992176423	HEX.HEAD BOLT M12	2	
10	MH992785644	WASHER FOR M12	2	
11	MH992771215	NUT FOR M12	2	



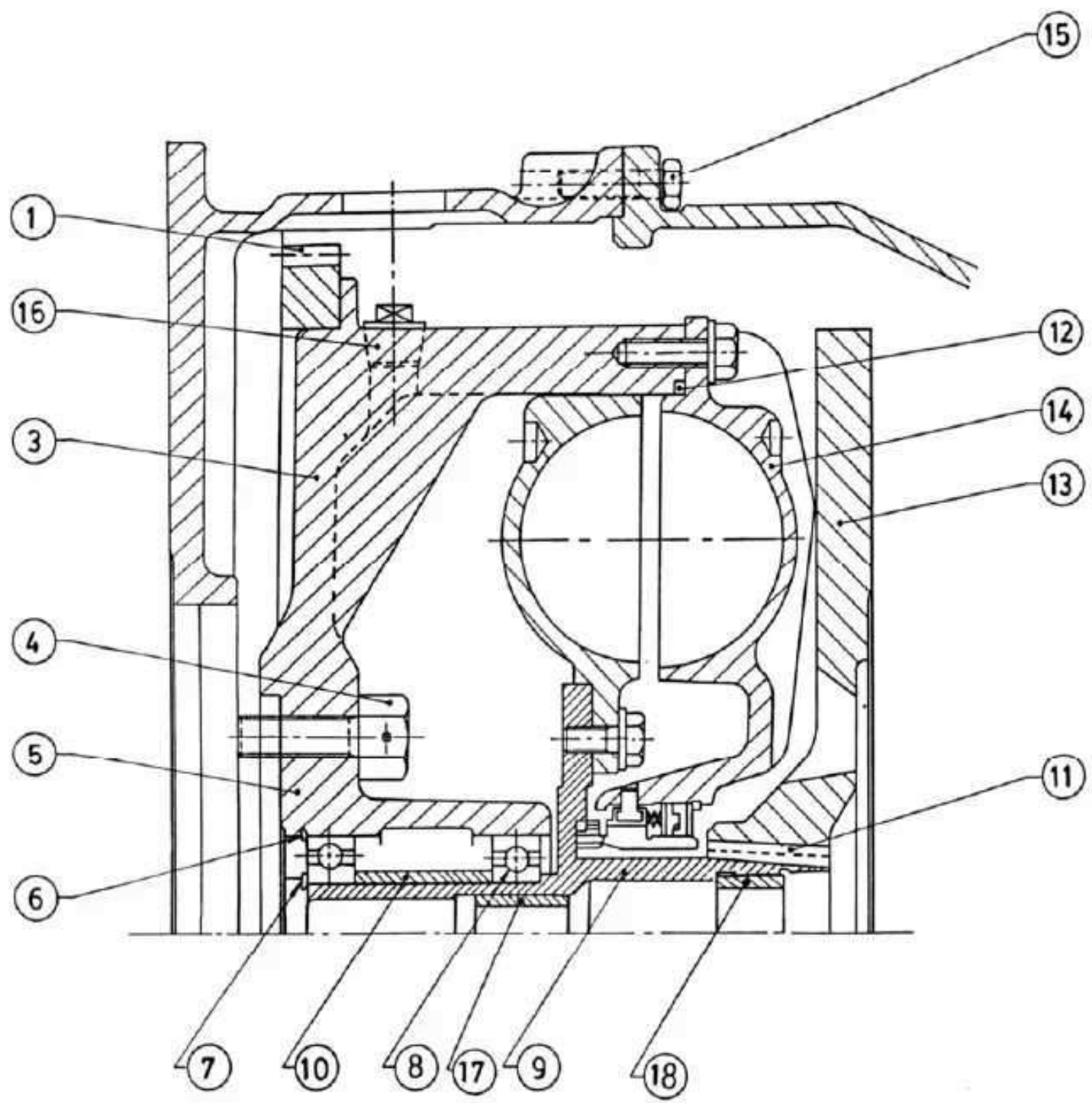
FLUID COUPLING ASSEMBLY

FLUID COUPLING ASSEMBLY

ITEM NO.	PART NO.	DESCRIPTION	QTY.	REMARKS
1	MH062232800	HEX. HD. SCREW	26	
	MH 061277900	WASHER	18	
2	MH 510628800	IMPELLER	1	
3	MH 023666000	RETAINING WASHER	1*	
4	MH 016172900	RUBBER ELEMENT	1*	
	MH 015968900	GARTER SPRING	1*	
5	MH 023665900	BACKING WASHER	1*	
6	MH 016368300	BUSHING	1*	
7	MH 012334900	NOSE PIECE	1*	
8	MH 023344800	INTERNAL SNAP RING	1*	
9	MH 023411300	COMPRESSION SPRING	8*	
10	MH 500494904	RING GASKET	1	
11	MH 510622800	RUNNER	1	
12	MH 059716300	HEX. HD. SCREW	8	
	MH 061277900	WASHER	18	
13	MH 012783900	MATING RING	1*	
14	MH 016349300	BUSHING	1*	
15	MH 870000924	END PLUG	1	
16	MH 016132300	MATING RING WASHER	1	
17	MH 510624800	HEADED PIN	1*	
18	MH 03557	HUB FOR FLUID COUPLING	1	
19	MH 09070	LOCK PLATE FOR RUNNER	4	

- **Not serviced separately. Order Service Kit P. No. 10236 - S4**

20	MH992271295	HEX HD SCREW M8x20	18	
21	MH992791525	SPRING WASHER M8	18	



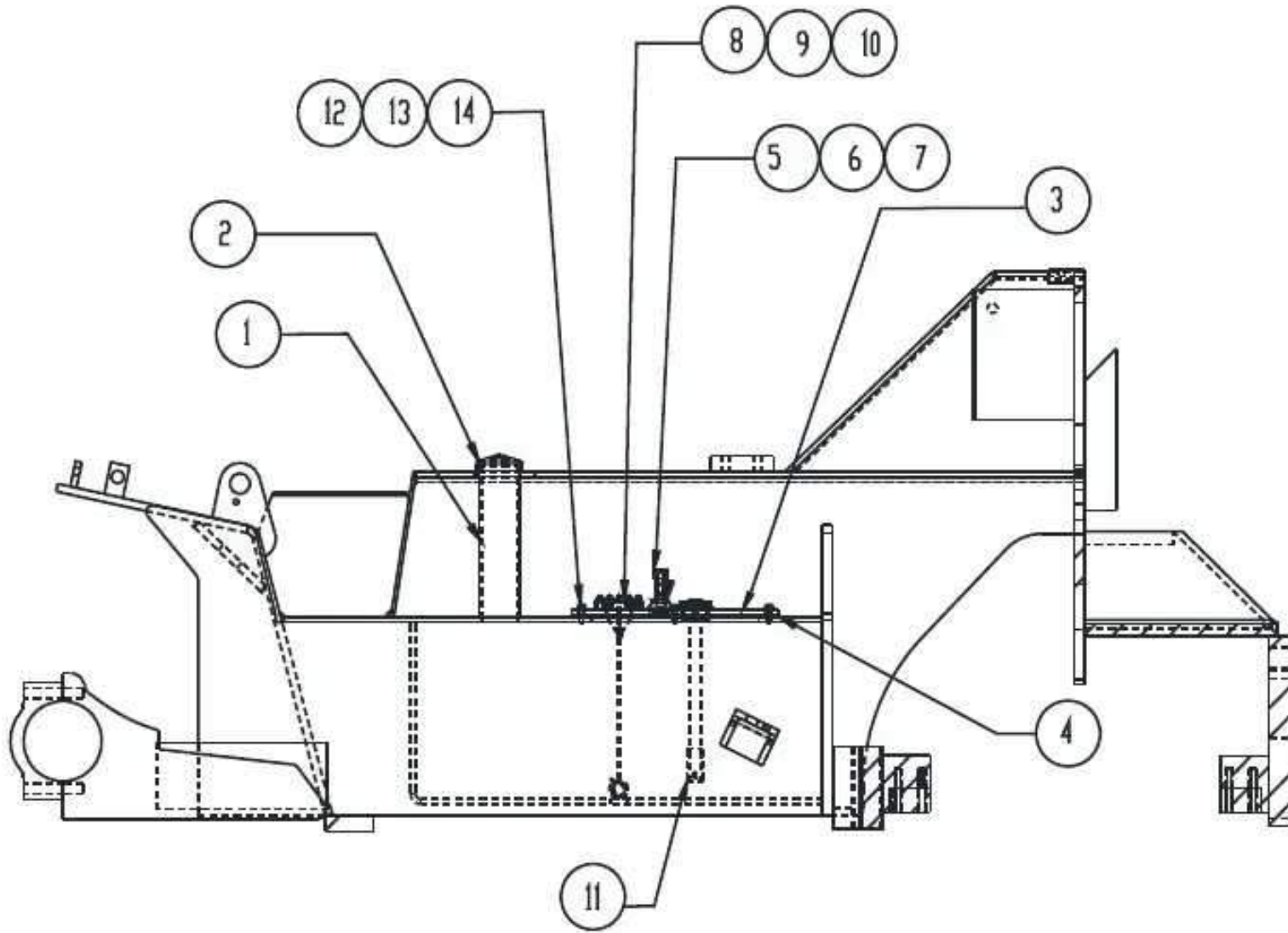
**ENGINE TO FLUID COUPLING TRANSMISSION CONNECTION
(SIMPSON S4 ENGINE)**

ENGINE TO FLUID COUPLING - TRANSMISSION**SIMPSON S4 ENGINE**

ITEM NO.	PART NO.	DESCRIPTION	QTY.	REMARKS
1	MH07545	STARTER RING	1	
3	MH11279M	FLY WHEEL	1	
	MH014970100	LOCK WASHER	3	
4	MH08799	SEALING WASHER	6	
	MH0992185421	HEX. BOLT M12*124*40LG	6	
5	MH015493500	'O' RING 1/8"	1	
6	MH785776601	CIRCLIP	1	
7	MH992835607	CIRCLIP	1	
8	MH993311066	BALL BEARING	2	
9	MH03557	HUB FOR FLUID COUPLING	1	
10	MH08140	INNER SPACER	1	
11	MH016241000	KEY	1	
12	MH500494904	RING GASKET	1	
13	MH785339600	DRIVE PLATE	1	
14	MH01133	FLUID COUPLING ASSLY-	1	
15	MH015029000	LOCK WASHER 3/8"	12	
	MH055486800	HEX. HD SCREW 3/8" 16UNC*1/4"	9	
	MH062236500	HEX. HD SCREW 3/8 16UNC*1/4"	3	
16	MH785791700	PIPE PLUG	2	
	MH016349300	BUSHING	1	
	MH016368300	BUSHING	1	
	MH059716300	HEX BOLT	8	

ITEMS NOT SHOWN

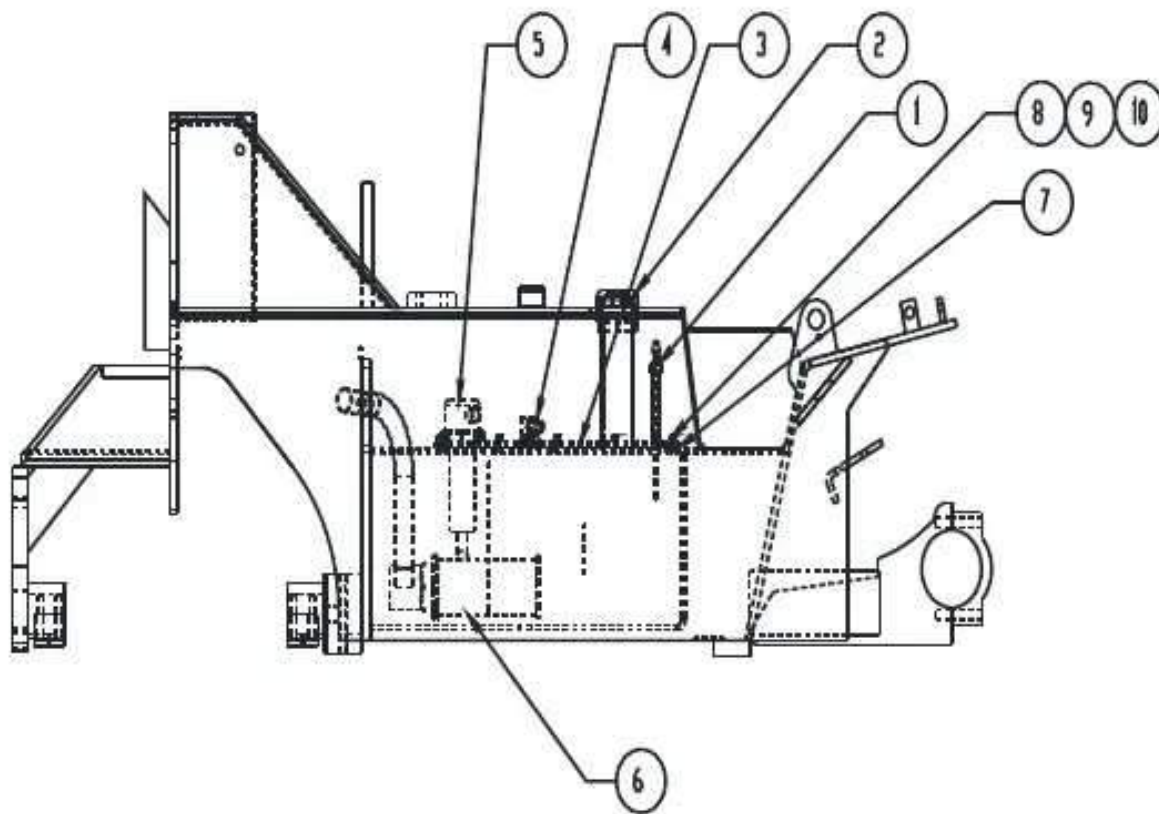
	MH014970100	NUT	1	
	MH016139600	PLATE WASHER	1	



**FUEL TANK COVER ASSEMBLY
(MH 40480)**

FUEL TANK COVER ASSEMBLY (MH 40480)

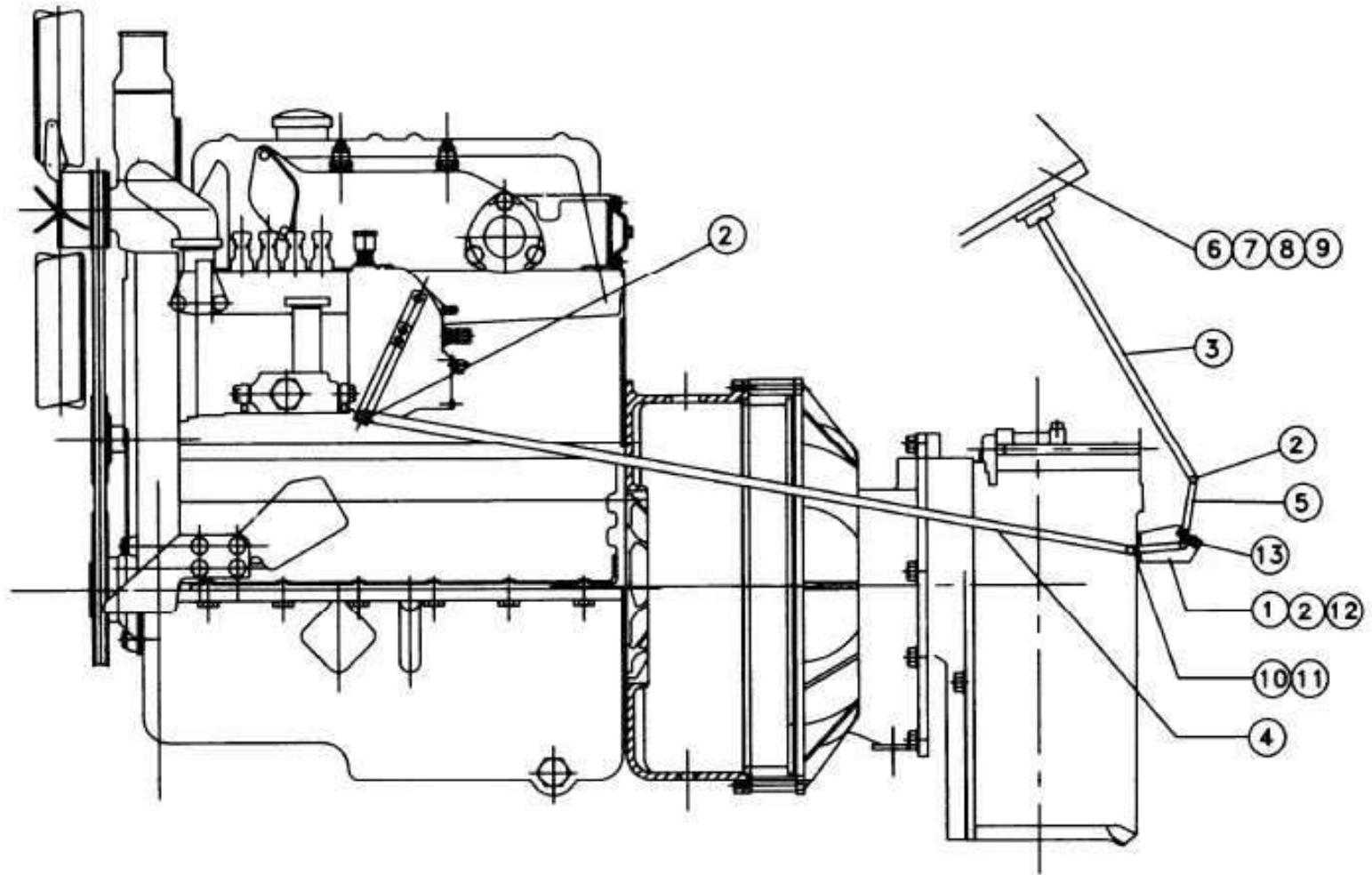
ITEM NO.	PART NO.	DESCRIPTION	QTY.	REMARKS
1	MH40593	FUEL FILLING PIPE	1	
2	MH870001084	FUEL TANK CAP ASSEMBLY	1	
3	MH 40590	FUEL TANK TOP COVER	1	
4	MH40642	GASKET	1	
5	MH 10187	ADAPTOR	1	
6	MH785200802	CAP NUT	1	
7	MH785200803	COPPER WASHER	1	
8	MH42059	SENSING UNIT	1	
9	MH014875600	ROUND HEAD SCREW	6	
10	MH016107400	LEAD WASHER	6	
11	MH40652	SUCTION LINE FITTING	1	
12	MH992275295	HEX SCREW M8x20LG.	8	
13	MH992781624	PLAIN WASHER FOR M8	8	
14	MH992791525	SPRING WASHER FOR M8	8	



**HYDRAULIC TANK COVER ASSEMBLY
(MH40482)**

HYDRAULIC TANK COVER ASSEMBLY (MH40482)

ITEM NO.	PART NO.	DESCRIPTION	QTY.	REMARKS
1	MH870000533	DIP STICK	1	
2	MH785382800	AIR BREATHER ASSLY	1	
3	MH40619	TANK TOP COVER	1	
4	MH40827	'T' JOINT	1	
	MH40828	90 DEG. ELBOW	1	
5	MH14886	RETURN LINE FILTER	1	
6	MH00792	SUCTION STRAINER	1	
7	MH40641	GASKET	1	
8	MH992275215	HEX SCREW M6x20 LG	12	
9	MH992781604	PLAIN WASHER FOR M6	12	
10	MH992791515	SPRING WASHER FOR M6	12	

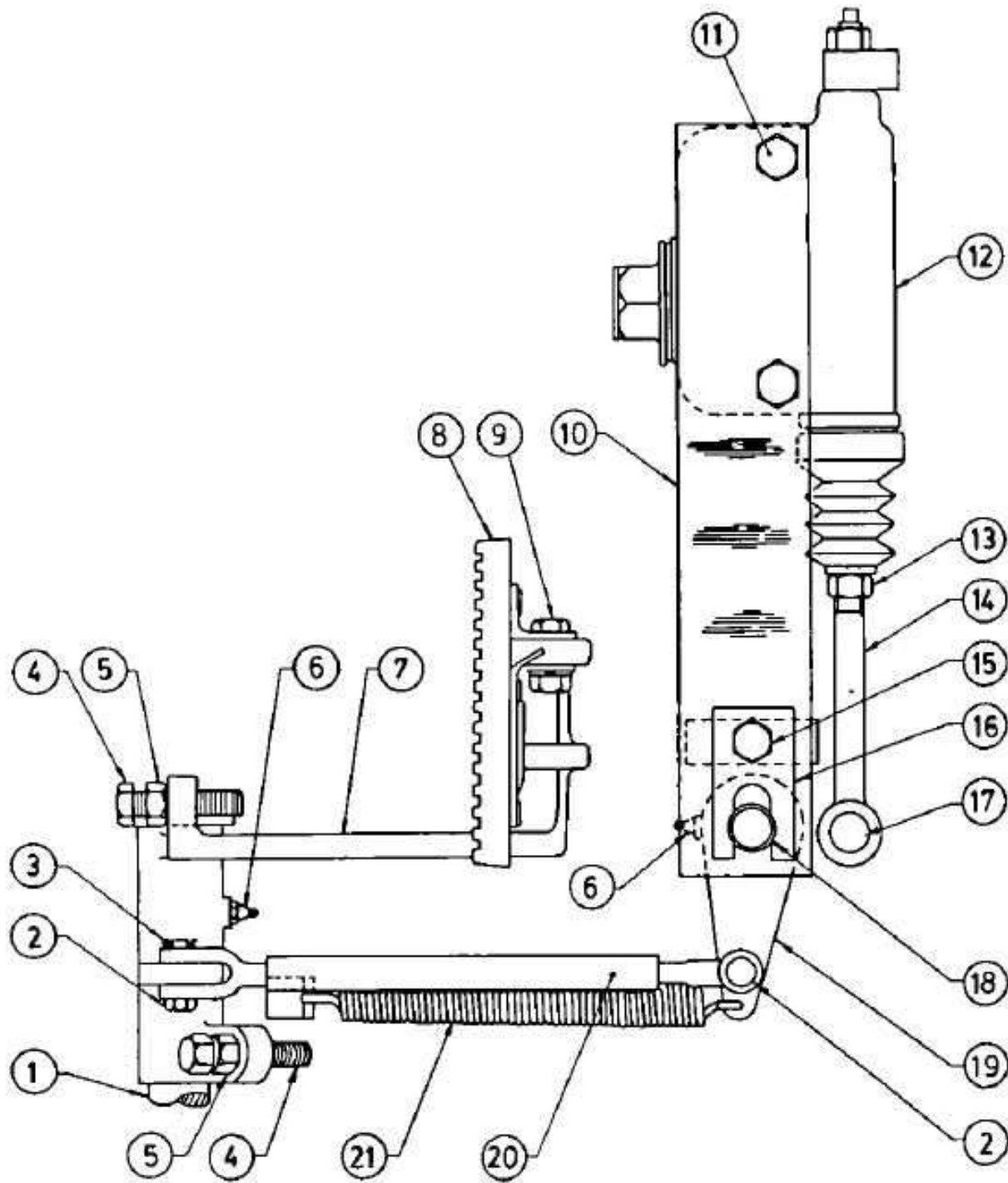


ACCELERATOR ASSEMBLY

(MH796915030)

ACCELERATOR ASSEMBLY (MH796915030)

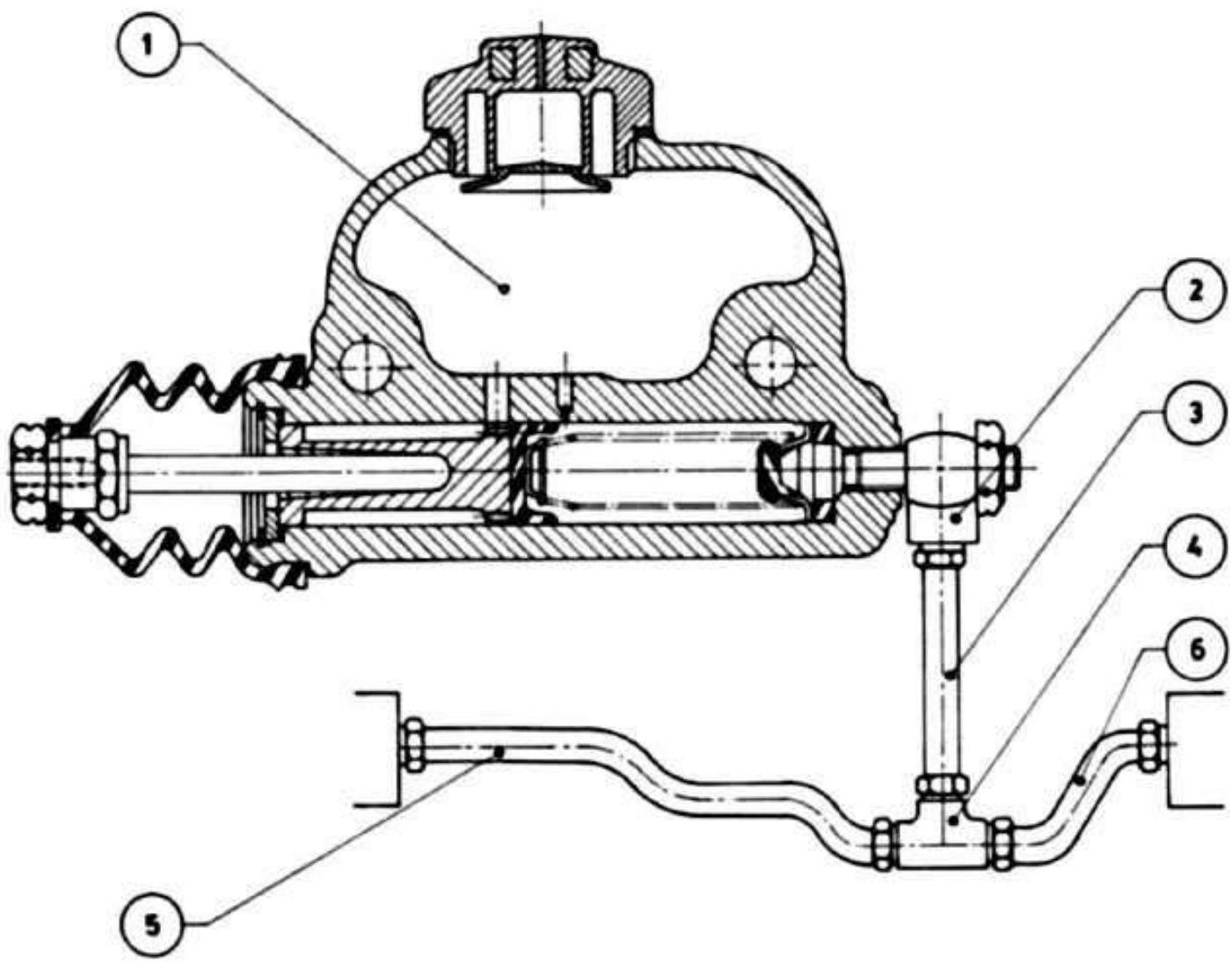
ITEM NO.	PART NO.	DESCRIPTION	QTY	REMARKS
1	MH016103500	FLAT WASHER	1	
2	MH015417900	COTTER PIN	7	
3	MH10190	ACCELERATOR ROD	1	
4	MH10198	ACCELERATOR LINKAGE ROD	1	
5	MH10194	THROTTLE CROSS SHAFT	1	
6	MH014633200	HEX HD. BOLT 1/4"-20*3/4"LG	8	
7	MH014936500	HEX NUT 1/4"*20-7/16"	2	
8	MH015026200	WASHER	2	
9	MH063688800	ACCLERATOR PEDAL	1	
10	MH785763100	BALL JOINT	1	
11	MH014939500	HEX NUT 1/4"-28-7/16"	2	
12	MH13464	THROTTLE CROSS SHAFT BKT. WELD' T	1	
13	MH065795400	THROTTLE CONTROL CROSS SHAFT	2	
	MH785203800	ACCELERATOR RETURN SPRING	1	



BRAKE PADEL AND LINKAGE

BRAKE PEDAL AND LINKAGE

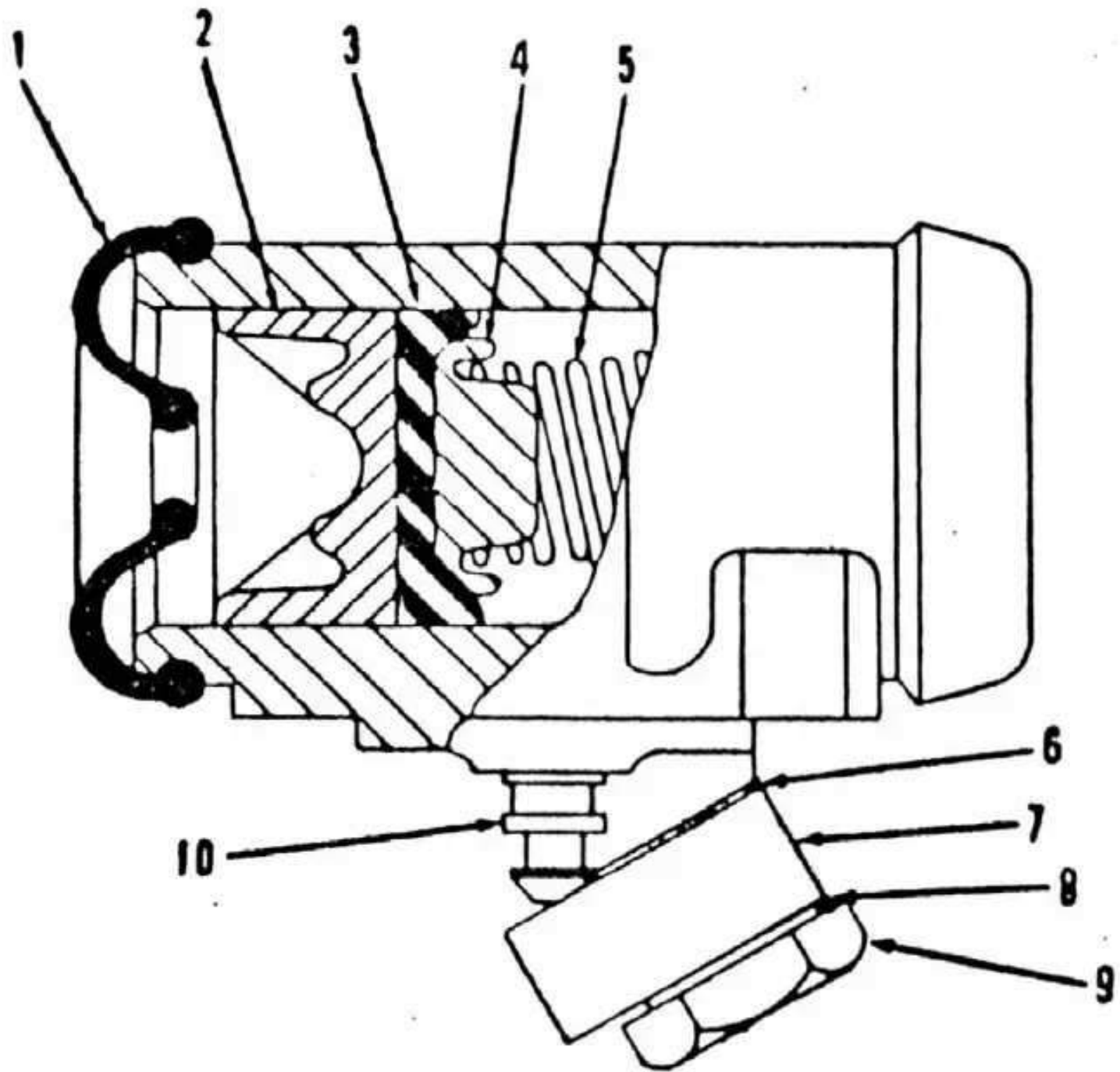
ITEM NO.	PART NO.	DESCRIPTION	QTY.	REMARKS
1	MH063541000	BRAKE PEDAL SHAFT	1	
2	MH021848800	YOKE PIN	2	
3	MH015416100	COTTER PIN	2	
4	MH014671800	HEX. HD. SCREW	1	
5	MH014936900	HEX. NUT	1	
6	MH015628700	LUBE FITTING K140	3	
7	MH17362	BRAKE PEDAL LEVER	1	
8	MH063681200	PEDAL PAD	2	
9	MH 062143700	HEX. HD. SCREW	2	
	MH 014936600	HEX. NUT	2	
	MH 015028900	WASHER	2	
10	MH 063541300	SUPPORT PLATE	1	
11	MH055485100	HEX. HD. SCREW	2	
12	MH 870001211	MASTER CYLINDER	1	
13	MH 870001359	HEX. JAM NUT	1	
14	MH 870001224	ROD END	1	
15	MH062143700	HEX HD. SCREW	1	
16	MH 502383100	RETAINER	1	
17	MH 014607000	ROD END PIN	1	
	MH015416100	COTTER PIN	1	
18	MH 07605	LOCKING PIN	1	
19	MH 063542700	BELL CRANK	1	
20	MH17490	CONNECTING ROD	1	
21	MH 060309600	PEDAL RETURN SPRING	1	



BRAKE TUBE ASSEMBLY

BRAKE TUBE ASSEMBLY

ITEM NO.	PART NO.	DESCRIPTION	QTY.	REMARKS
1	MH 870001211	MASTER CYLINDER	1	
2	MH 870001394	BANJO ADAPTOR	1	
3	MH17615	FLEXIBLE HOSE	1	
4	MH013370100	TEE	1	
5	MH785350300	L.H. BRAKE TUBE	1	
6	MH066219000	R.H. BRAKE TUBE	1	
ITEM NOT SHOWN				
	MH08550	R.H. BRAKE ASSEMBLY	1	
	MH08549	L.H. BRAKE ASSEMBLY	1	
	MH501495800	RUBBER BOOT	1	
	MH501496800	PUSH ROD	1	
	MH870002609	MASTER CYLINDER SEAL KIT	1	

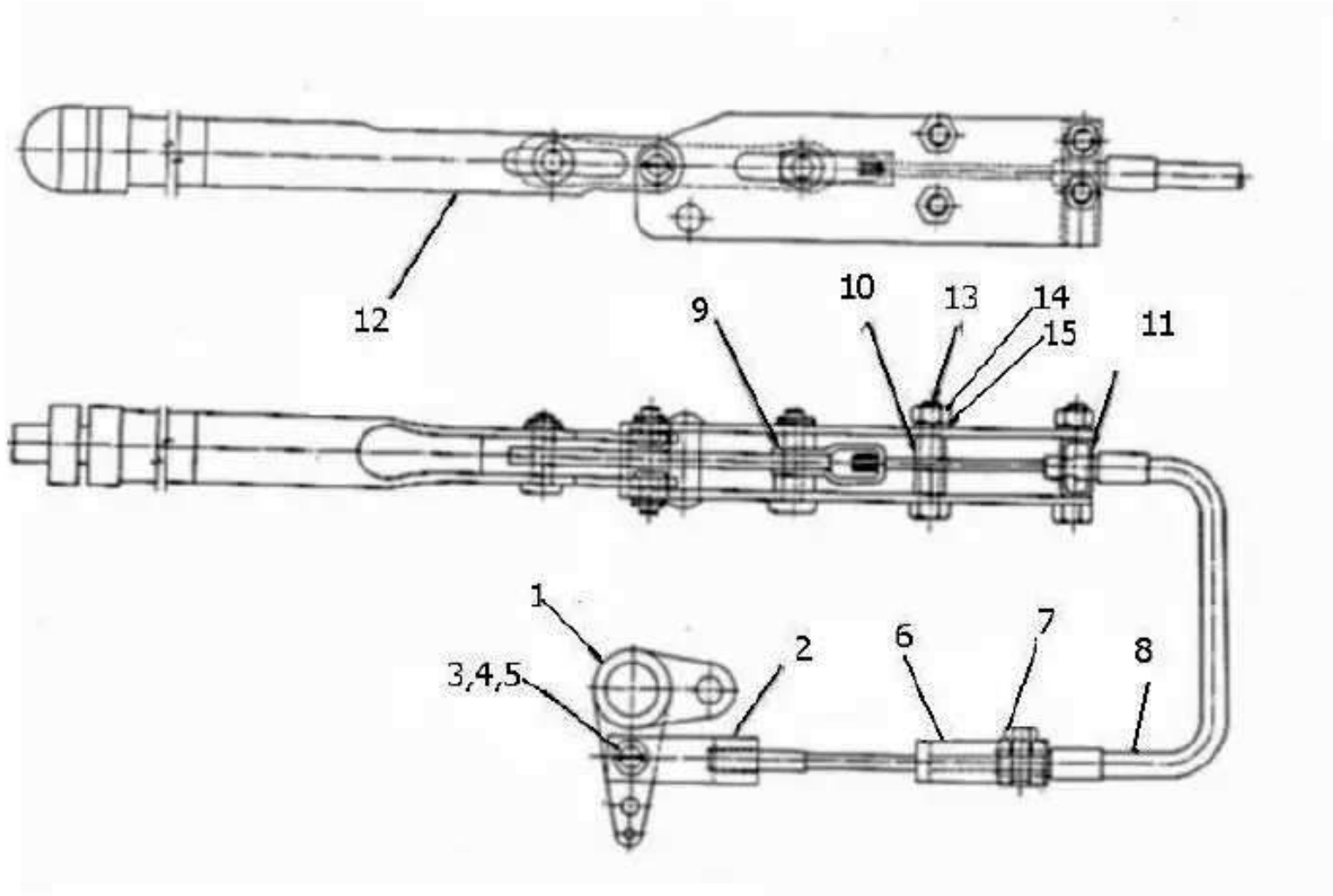


HYDRAULIC WHEEL CYLINDER

HYDRAULIC WHEEL CYLINDER

ITEM NO.	PART NO.	DESCRIPTION	QTY.	REMARKS
	MH870001339	R.H. WHEEL CYLINDER	1	
	MH 870001303	L.H. WHEEL CYLINDER	1	
1	MH 870001989	BOOT	2*	
2	MH 870001999	PISTON	2	
3	MH 870002009	PISTON CUP	2*	
4	MH 870002019	FILLER CUP	2	
5	MH 870002029	SPRING	1	
6	MH 015489300	GASKET	1	
7	MH 013389600	INLET FITTING	1	
8	MH 015489100	GASKET	1	
9	MH 014788400	INLET FITTING BOLT	1	
10	MH 014788300	BLEEDER SCREW	1	

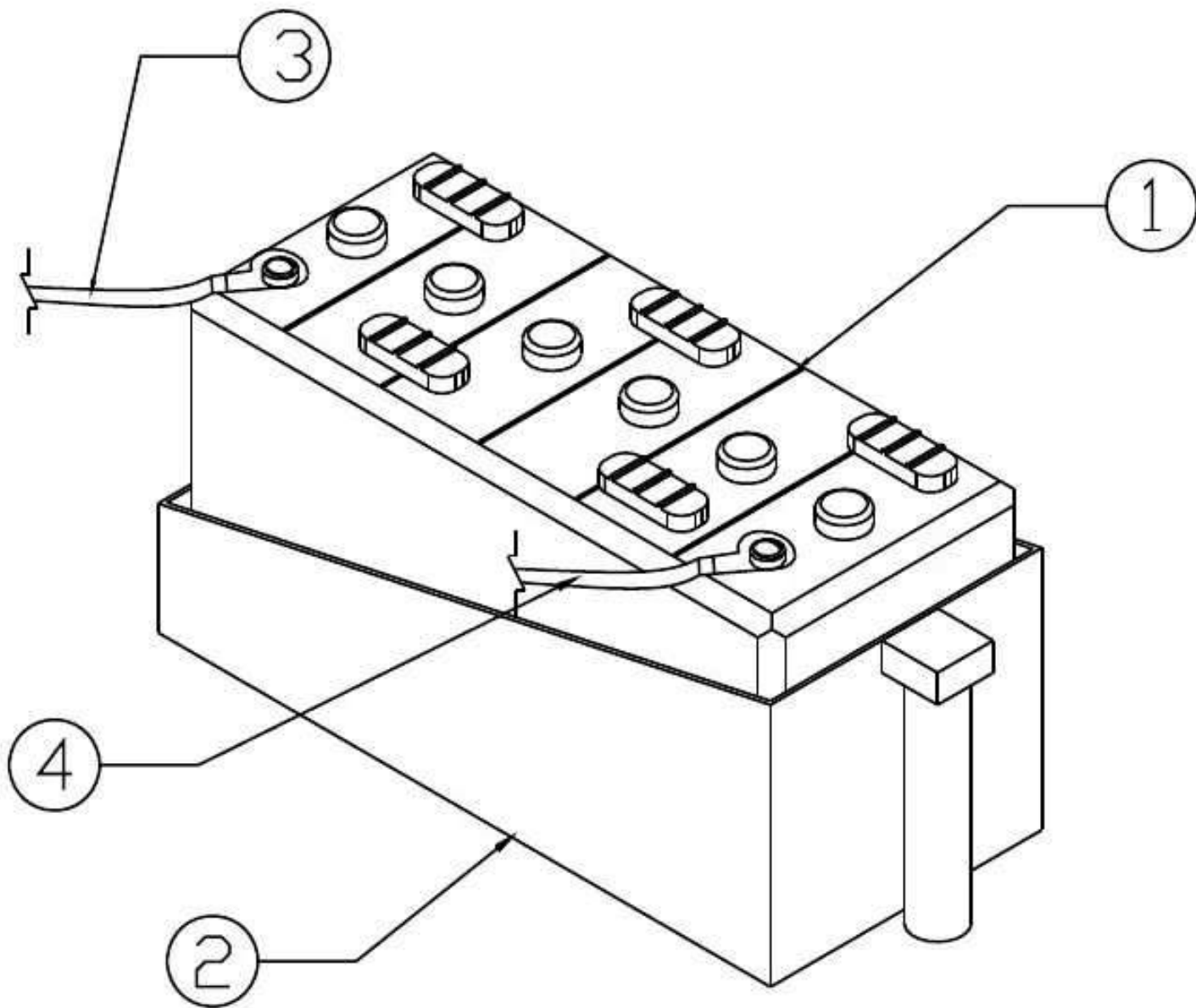
*** Not serviced separately. Order Repair Kit P. No. 061378000**



PARKING BRAKE INSTALLATION

PARKING BRAKE INSTALLATION

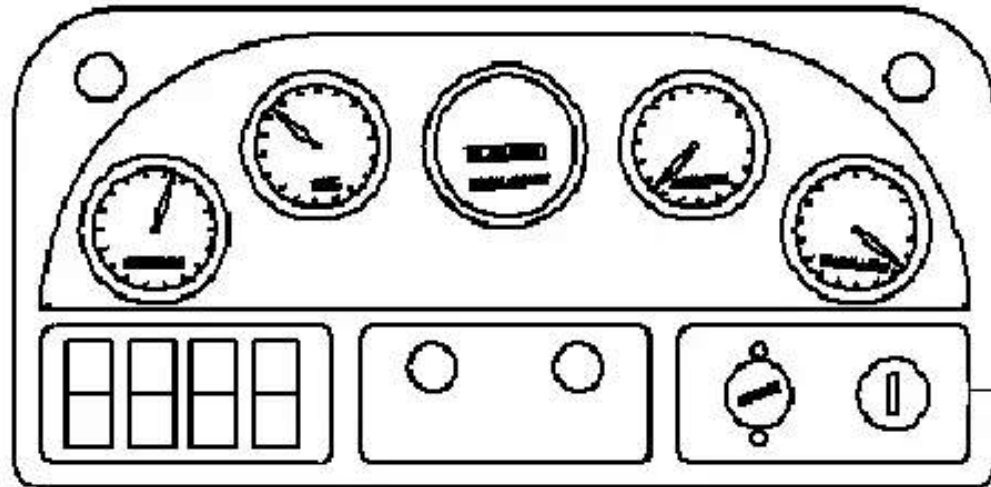
ITEM NO.	PART NO.	DESCRIPTION	QTY.	REMARKS
1	MH 063542700	BELL CRANK	1	
2	MH 785534000	YOKE END	1	
3	MH 785577603	YOKE PIN	1	
4	MH 992781634	BLACK WASHER	1	
5	MH 992826140	SPLIT PIN	1	
6	MH 061975101	CABLE MOUNTING BRACKET	1	
7	MH 992275295	HEX. SCREW	1	
8	MH 796405019	CABLE	1	
10	MH 05224	SPACER	2	
11	MH 05229	BRAKE CABLE SUPPORT BKT.	2	
12	MH 870000191	HAND LEVER ASSLY	1	
13	MH 992171303	HEX. HD. BOLT	2	
	MH 992171304	HEX. HD. BOLT	2	
14	MH 992761013	HEX. NUT M8	4	
15	MH 992791525	SPRING WASHER	4	



STARTING BATTERY

STARTING BATTERY

ITEM NO.	PART NO.	DESCRIPTION	QTY.	REMARKS
1	MH785211802C	BATTERY 12 V		
2	MH40648	BATTERY BRACKET	1	
3	MH07519	BATTERY CABLE +VE	1	
4	MH07520	BATTERY CABLE -VE	1	



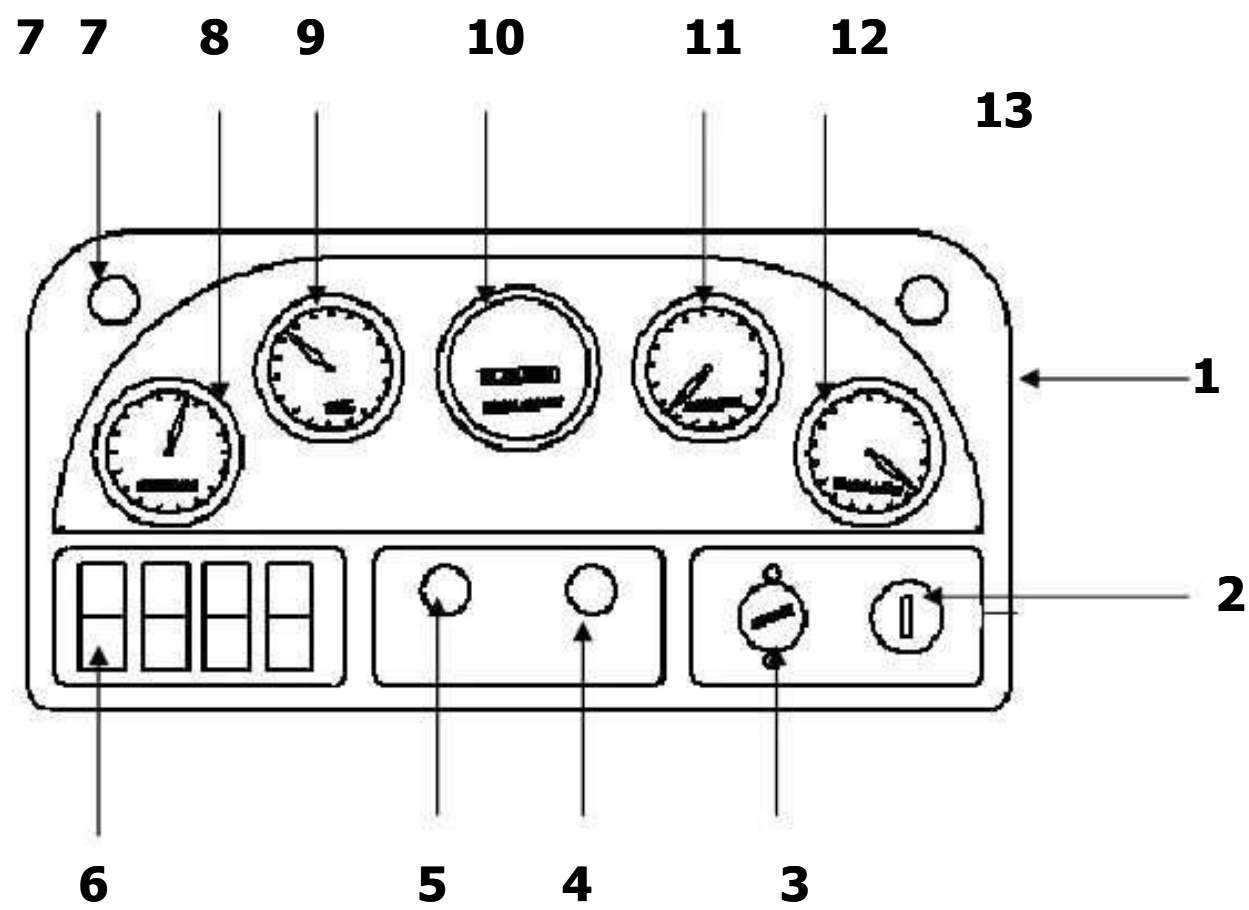
**INSTRUMENT PANEL ASSEMBLY
(MH796418538)**

**INSTRUMENT PANEL ASSEMBLY
(MH796418538)**

ITEM NO.	PART NO.	DESCRIPTION	QTY.	REMARKS
1	MH796418543	HOUSING - INSTRUMENT PANEL	1	
2	MH11408	IGNITION SWITCH	1	
3	MH785786800	PUSH BUTTON	1	
4	MH79Z2924D1	INDICATOR LAMP - RED (TRANSMISSION)	1	
5	MH09091	INDICATOR LAMP - RED (BATTERY CHARGE)	1	
6	MH13175	LIGHT SWITCH (PIANO TYPE)	1	
7	MH14040	INDICATOR LAMP - GREEN	2	
8	MH785207900	OIL PRESSURE GAUGE	1	
9	MH785761600	FUEL GAUGE	1	
10	MH785358400	ELECTRONIC HOUR METER	1	
11	MH785208000	AMMETER	1	
12	MH08707	TEMPERATURE GAUGE	1	
13	MH14040	INDICATOR LAMP - GREEN	2	

ITEMS NOT SHOWN

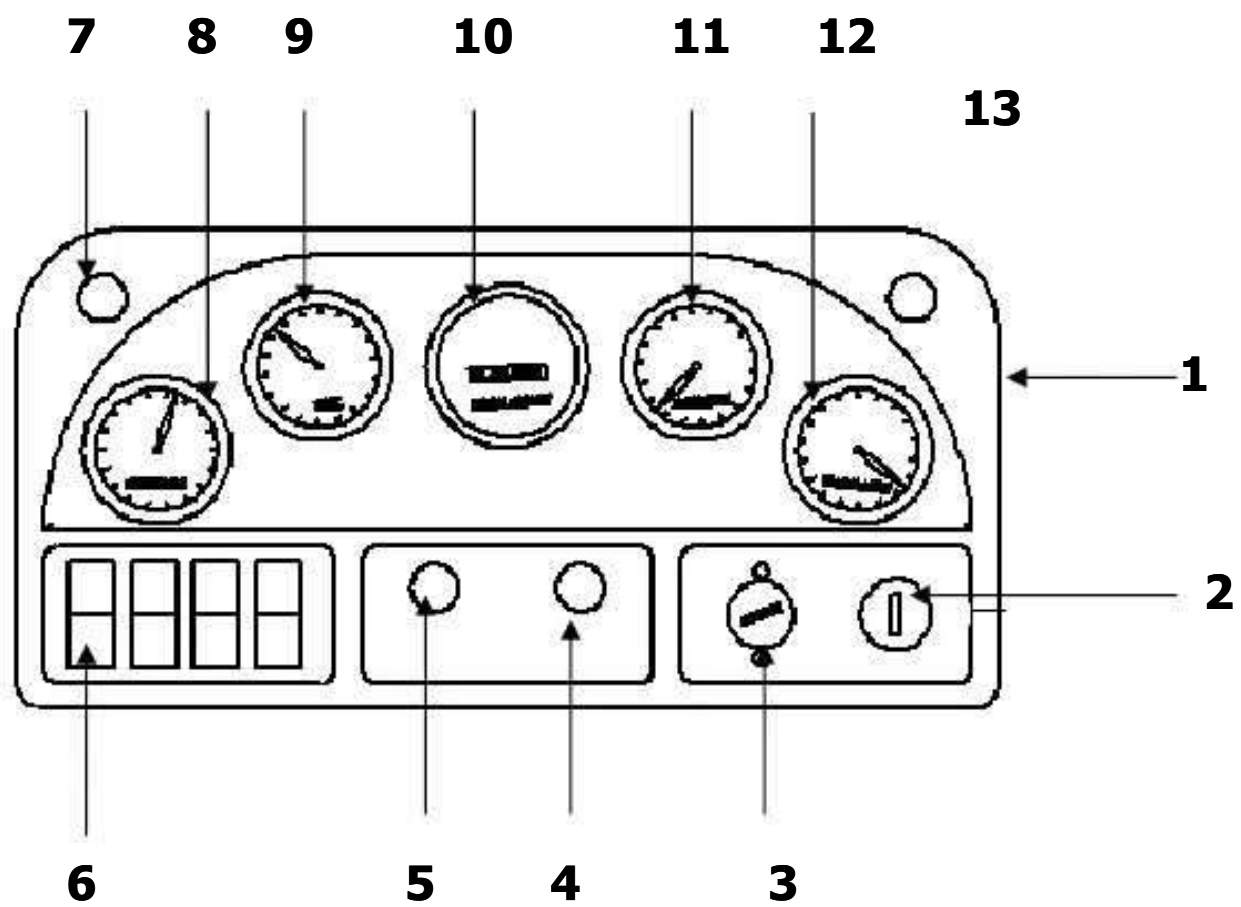
	MH796418543	BASE - INSTRUMENT PANEL	1	
	MH785208500	ADAPTOR FOR PRESSURE SWITCH	1	
	MH08714	SENSOR FOR TEMPERATURE GAUGE	1	
	MH015029000	LOCK WASHER FOR 3/8"°	2	
	MH060930300	HEX. HD. SCREW	2	
	MH785208200	CLAMP, CHOKE CABLE	1	
	MH785794700	FLAT WASHER I.D. = 22.5 °	2	
	MH992275214	HEX SCREW M6 X 16LG	8	
	MH992791515	SPRING WASHER M6	8	
	MH026258600	CHOKE CABLE	1	
	MH10217	CHOKE CABLE CLAMP	1	
	MH11408	PRESS SWITCH - HOBBS	1	
	MH09985	OIL PRESSURE LINE(FLEXIBLE)	1	
	MH796418563	INSTRUMENT PANNEL SUPPORT WELDMENT	1	
	MH785207800	TEMPERATURE GUAGE (MECHANICAL)	1	



**INSTRUMENT PANEL ASSEMBLY
(42194)**

**INSTRUMENT PANEL ASSEMBLY
(42194)**

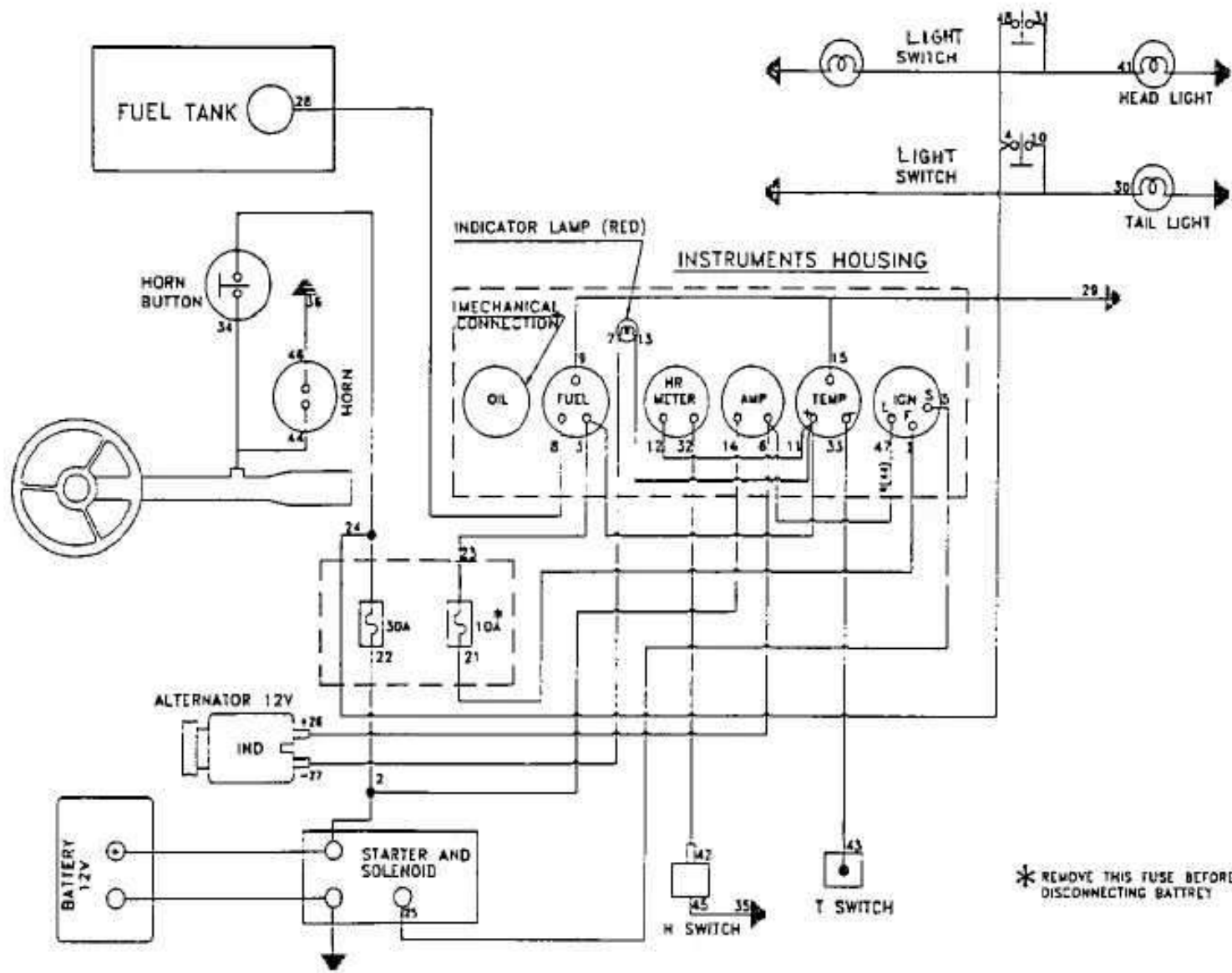
ITEM NO.	PART NO.	DESCRIPTION	QTY	REMARKS
1	MH42193	HOUSING - INSTRUMENT PANEL	1	
2	MH08962	IGNITION SWITCH	1	
3	MH785316200	STARTER SWITCH	1	
4	MH79Z2924D1	INDICATOR LAMP - RED (TRANSMISSION)	1	
5	MH09091	INDICATOR LAMP - RED (BATTERY CHARGE)	1	
6	MH13175	LIGHT SWITCH (PIANO TYPE)	1	
7	MH79Z2924D3	INDICATOR LAMP - GREEN	2	
8	MH785207900	OIL PRESSURE GAUGE	1	
9	MH785761600	FUEL GAUGE	1	
10	MH42192	LCD HOUR METER	1	
11	MH785208000	AMMETER	1	
12	MH785207800	TEMPERATURE GAUGE	1	
13	MH14040	INDICATOR LAMP - GREEN	2	
ITEMS NOT SHOWN				
	MH796418563	BASE - INSTRUMENT PANEL	1	
	MH785208500	ADAPTOR FOR PRESSURE SWITCH	1	
	MH08714	SENSOR FOR TEMPERATURE GAUGE	1	
	MH797807223	ADAPTOR FOR PRESSURE SENDING LINE	1	
	MH10295	PR. SENDING LINE	1	
	MH015029000	LOCK WASHER FOR 3/8"	2	
	MH060930300	HEX. HD. SCREW	2	
	MH10217	CLAMP, CHOKE CABLE	1	
	MH785794700	FLAT WASHER I.D. = 22.5 °	2	



INSTRUMENT PANEL ASSEMBLY
(42194)

**INSTRUMENT PANEL ASSEMBLY
(42194)**

ITEM NO.	PART NO.	DESCRIPTION	QTY	REMARKS
	MH992275214	HEX SCREW M6 X 16LG	8	
	MH992791515	SPRING WASHER M6	8	
	MH797807123	STOP CABLE	1	
	MH10217	STOP CABLE CLAMP	1	
	MH11408	PRESS SWITCH - HOBBS	1	
	MH796418111	WIRE HARNESS (MAIN PANEL)	1	
	MH09718	HORN SWITCH	2	



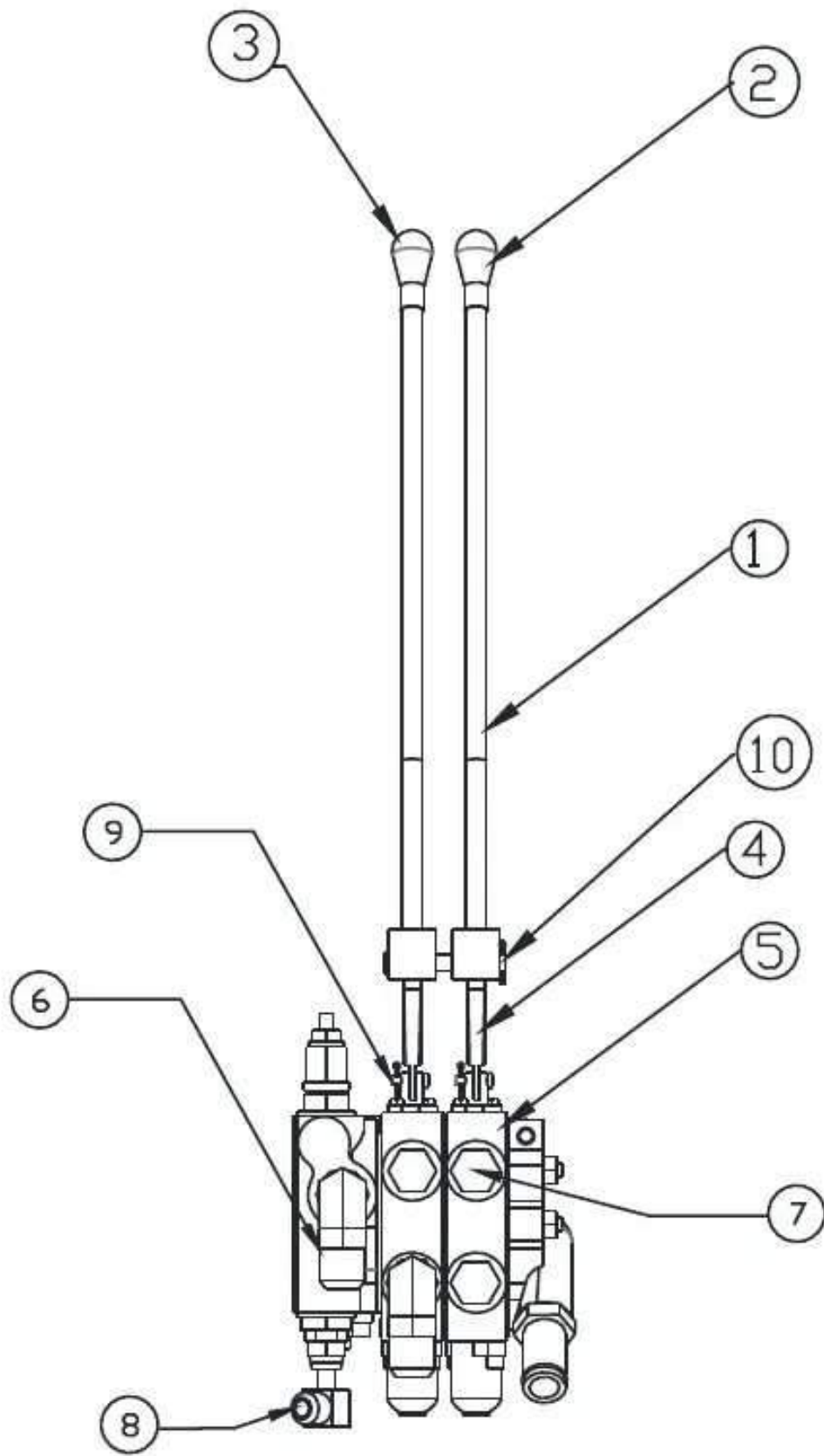
WIRING DIAGRAM WITH ALTERNATOR

WIRING DIAGRAM (GENERAL

ITEM NO.	PART NO.	DESCRIPTION	QTY.	REMARKS
1	MH512476400	HORN	1	
2	MH 785207900	OIL PRESSURE GAUGE	1	
3	MH 785761600	FUEL GAUGE	1	
4	MH 785358400	ELECTRONIC HOUR METER	1	
5	MH 785208000	AMMETER	1	
6	MH 08707	WATER TEMPERATURE GAUGE	1	
7	MH 08962	IGNITION SWITCH	1	
8	MH 11408	PRESSURE SWITCH (H- SWITCH)	1	
	MH785303100	ADAPTOR FOR PRESSURE SWITCH	1	
9	MH 08714	SENSOR FOR TEMPERATURE GAUGE	1	
		(T-SWITCH)		
10	MH 09796	FUSE BOX	1	
	MH 09718	FUSE 30 AMP	2	
	MH 10205	FUSE MOUNTING PLATE	1	
	MH 09716	FUSE 10 AMP	2	
11	MH 796418023	HEAD LIGHT (TAIL LIGHT)	3	
12	MH 796418053	INDICATOR LIGHT-FRONT	2*	
13	MH 796418063	INDICATOR LIGHT-REAR	2*	
14	MH 13174	PILOT LAMP	1*	
15	MH 795119154	DIRECTION INDICATOR LEVER	1*	
16	MH 07840	FLASHER	1*	
17	MH 796418554	WIRE HARNESS	1	
	MH09437	HORN SWITCH	1	
	MH870000303	HORN BRACKET	1	
	MH796418104	INDICATOR LIGHT MTG BKT-FRONT	2	
	MH16680	INDICATOR LIGHT MTG BKT-REAR	2	
	MH40632	WIRING HARNESS(MAIN PANEL)	1	
	MH40438	WIRING HARNESS	1	
	MH11829	REVERSE HORN	1	

Item onstage for reference only. Not shown in wiring diagram

- **These items are not illustrated in circuit diagram, as they are optional items**



2 SPOOL CONTROL VALVE & LINKAGE
(MH 40388)

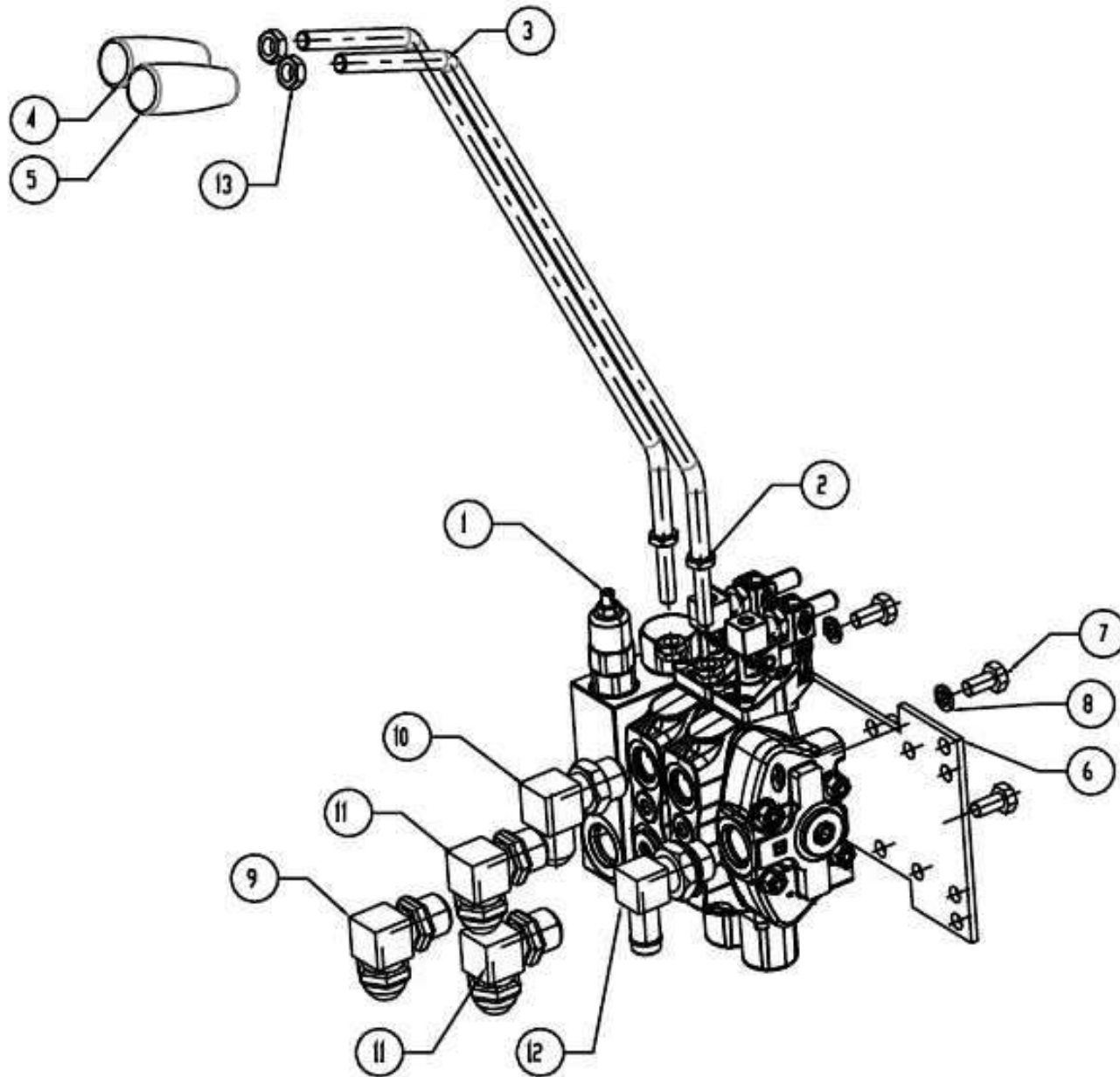
2 SPOOL CONTROL VALVE & LINKAGE

(MH 40388)

ITEM NO.	PART NO.	DESCRIPTION	QTY.	REMARKS
1	MH40638	HANDLE	2	
2	MH785766700	HOIST CONTROL KNOB	1	
3	MH785766700	TILT CONTROL KNOB	1	
4	MH40592	CONNNECTING LINK	2	
5	MH17588	2 SPOOL CONTROL VALVE	1	
6	MH40681	90 ELBOW	1	
7	MH40677	ADAPTOR	2	
8	MH797906424	90 ELBOW FEMALE	1	
9	MH40636	PIN	2	
10	MH40647	LEVER PIN	1	

ITEM NOT SHOWN

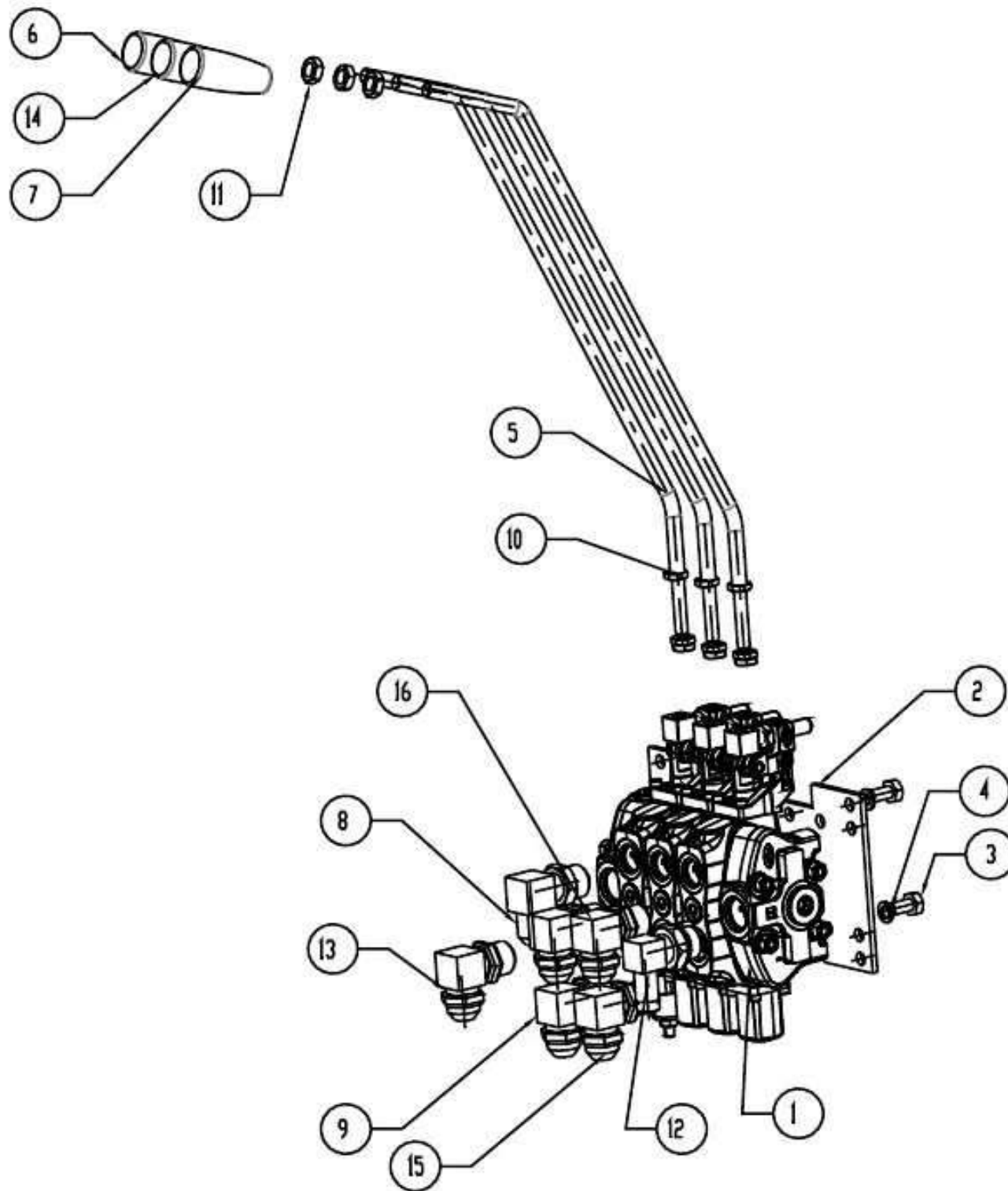
	MH992285376	HEX.SCREW M10x25LG	3	
	MH992785634	WASHER M10	3	



2 SPOOL CONTROL VALVE INSTALLATION (MH 42034)

2 SPOOL CONTROL VALVE INSTALLATIONS (MH 42034)

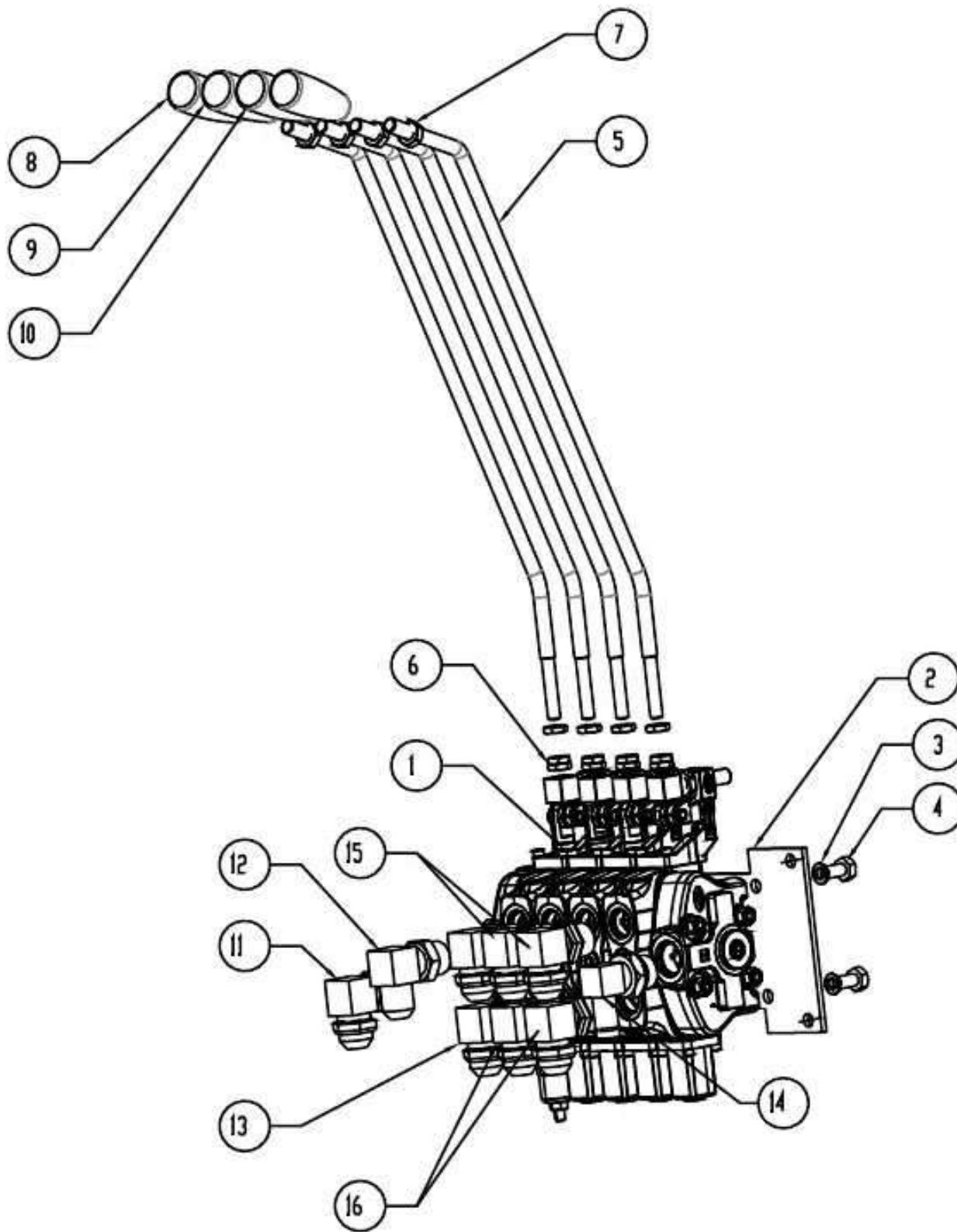
ITEM NO.	PART NO.	DESCRIPTION	QTY.	REMARKS
1	MH42003	CONTROL VALVE (2 SPOOL)	1	
2	MH992763114	HEX. LOCK NUT M10	6	
3	MH41094	LEVER FOR CONTROL VALVE	2	
4	MH785766600	HOIST CONTROL KNOB	1	
5	MH785766700	TILT CONTROL KNOB	1	
6	MH799812303	C.V. MOUNTING PLATE	1	
7	MH992275295	HEX. SCREW M8x20	4	
8	MH992791525	SPRING WASHER M8	4	
9	MH40680	90 DEG. ELBOW	1	
10	MH41097	90 DEG. ELBOW	1	
11	MH41098	90 DEG. ELBOW	2	
12	MH41099	90 DEG. ELBOW	1	
13	MH992763115	HEX. LOCK NUT M12	2	



3 SPOOL CONTROL VALVE INSTALLATIONS
(MH 42393)

3 SPOOL CONTROL VALVE INSTALLATIONS (MH 42393)

ITEM NO.	PART NO.	DESCRIPTION	QTY.	REMARKS
1	MH42185	CONTROL VALVE (3 SPOOL)	1	
2	MH799812303	C.V. MOUNTING PLATE	1	
3	MH992275295	HEX. SCREW M8x20	4	
4	MH992791525	SPRING WASHER M8	4	
5	MH41094	LEVER FOR CONTROL VALVE	3	
6	MH785766600	HOIST CONTROL KNOB	1	
7	MH785766700	TILT CONTROL KNOB	1	
8	MH41097	90 DEG. ELBOW	1	
9	MH41098	90 DEG. ELBOW	2	
10	MH992763114	HEX. LOCK NUT M10	9	
11	MH992763115	HEX. LOCK NUT M12	3	
12	MH41099	90 DEG. ELBOW	1	
13	MH40680	90 DEG. ELBOW	1	
14	MH785778600	AUX. CONTROL KNOB	1	
15	MH785759402	HYD. FITTING 90°	1	
16	MH785757500	HYD. FITTING 90°	1	

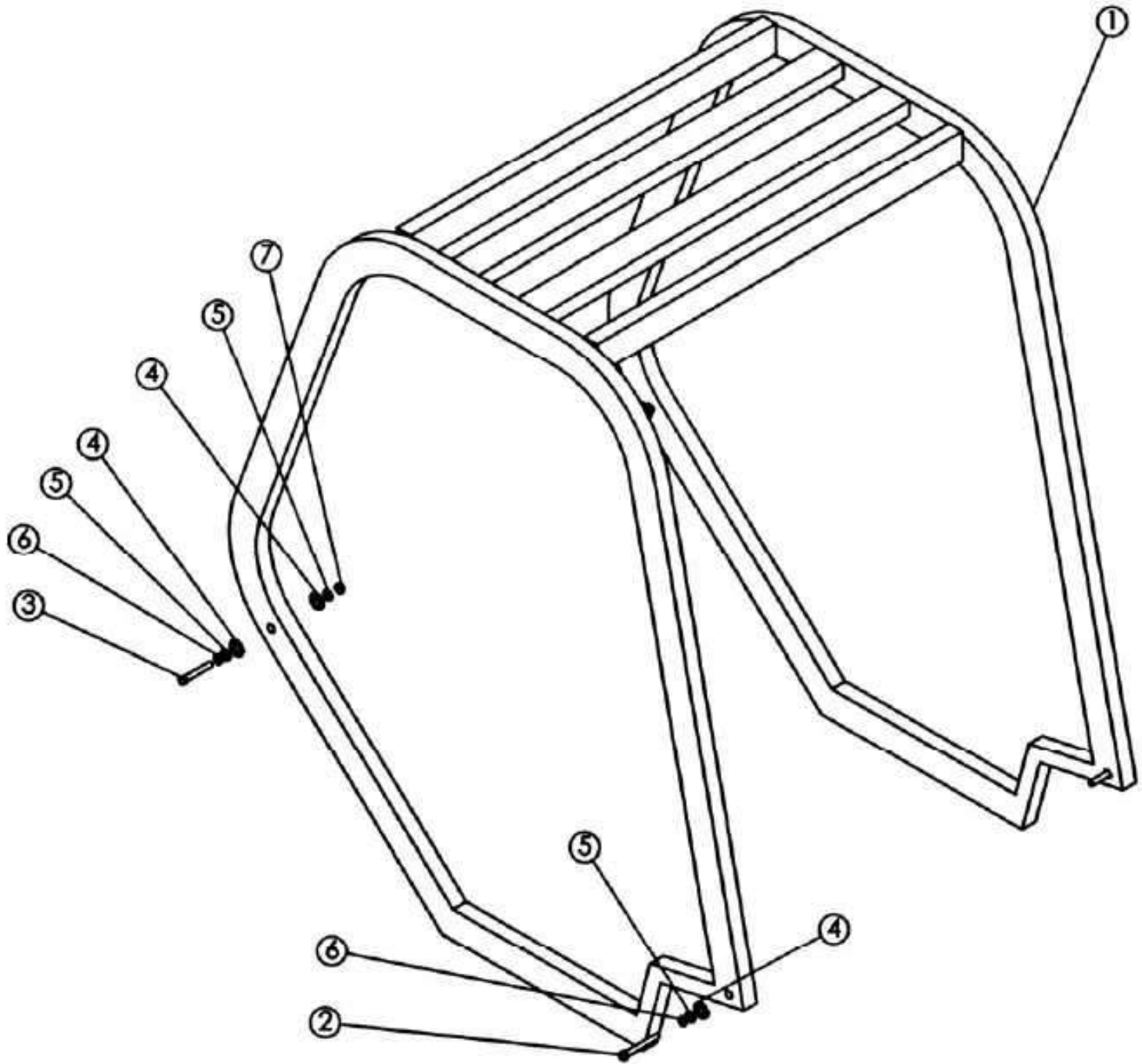


4 SPOOL CONTROL VALVE INSTALLATION
(MH 42394)

4 SPOOL CONTROL VALVE INSTALLATIONS

(MH 42394)

ITEM NO.	PART NO.	DESCRIPTION	QTY.	REMARKS
1	MH42186	CONTROL VALVE (4 SPOOL)	1	
2	MH799812303	C.V. MOUNTING PLATE	1	
3	MH992791525	SPRING WASHER M8	4	
4	MH992275295	HEX. SCREW M8x20	4	
5	MH41094	LEVER FOR CONTROL VALVE	4	
6	MH992763114	HEX. LOCK NUT M10	12	
7	MH992763115	HEX. LOCK NUT M12	4	
8	MH785766600	HOIST CONTROL KNOB	1	
9	MH785766700	TILT CONTROL KNOB	1	
10	MH785778600	AUX. CONTROL KNOB	2	
11	MH40680	90 DEG. ELBOW	1	
12	MH41097	90 DEG. ELBOW	1	
13	MH41098	90 DEG. ELBOW	2	
14	MH41099	90 DEG. ELBOW	1	
15	MH785759402	HYD. FITTING 90°	2	
16	MH785757500	HYD. FITTING 90°	2	



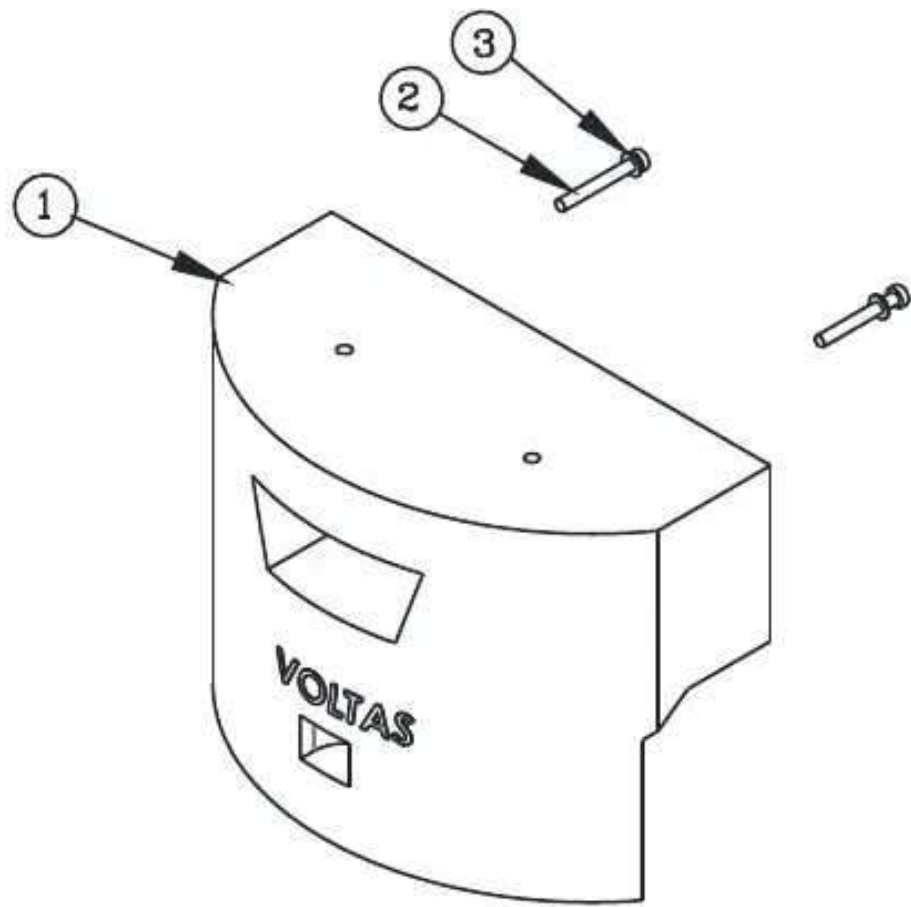
**CANOPY INSTALLATION
(MH 796413000)**

**CANOPY INSTALLATION
(MH 796413000)**

ITEM NO.	PART NO.	DESCRIPTION	QTY.	REMARKS
1	796413011	CANOPY WELDMENT	1	
2	992175433	BOLT M12 X 100	2	
3	992175389	BOLT M12 X 80	2	
4	992781684	BLACK WASHER M20	6	
5	992785644	GALVANISED WASHER M12	6	
6	992791545	SPRING WASHER M12	4	
7	992761215	NUT M12	2	

ITEM NOT SHOWN

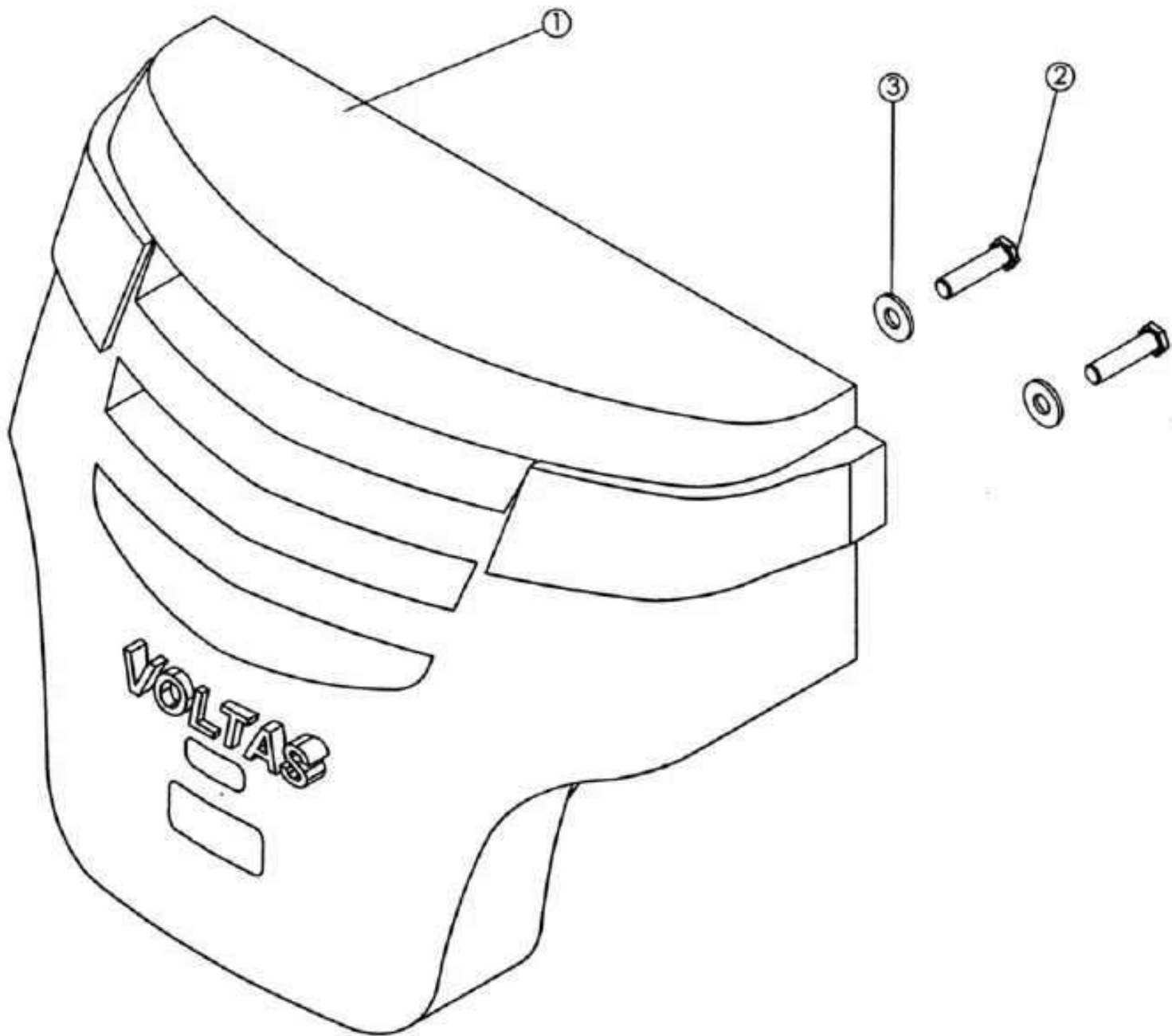
ITEM NO.	PART NO.	DESCRIPTION	QTY.	REMARKS
	MH796418574	RUBBER BUSH (UNDER NOT SHOWN)	8*	
	MH992175428	M12 X 75 GRADE 8.8 HEX BOLT	2	
	MH016109800	WASHER ½" 1DX1 ¼ XOD 7/6 TH	8*	
	MH17125	MIRROR LH	1	
	MH16613	MIRROR RH	1	
		OR		
	MH18923	MIRROR LH	1	
	MH18922	MIRROR RH	1	
	MH796413052	TARPAULIN	1	



**COUNTERWEIGHT INSTALLATION (3 TON FABRICATED)
(MH 40158)**

**COUNTERWEIGHT INSTALLATION (3TON FABRICATED)
(MH 40158)**

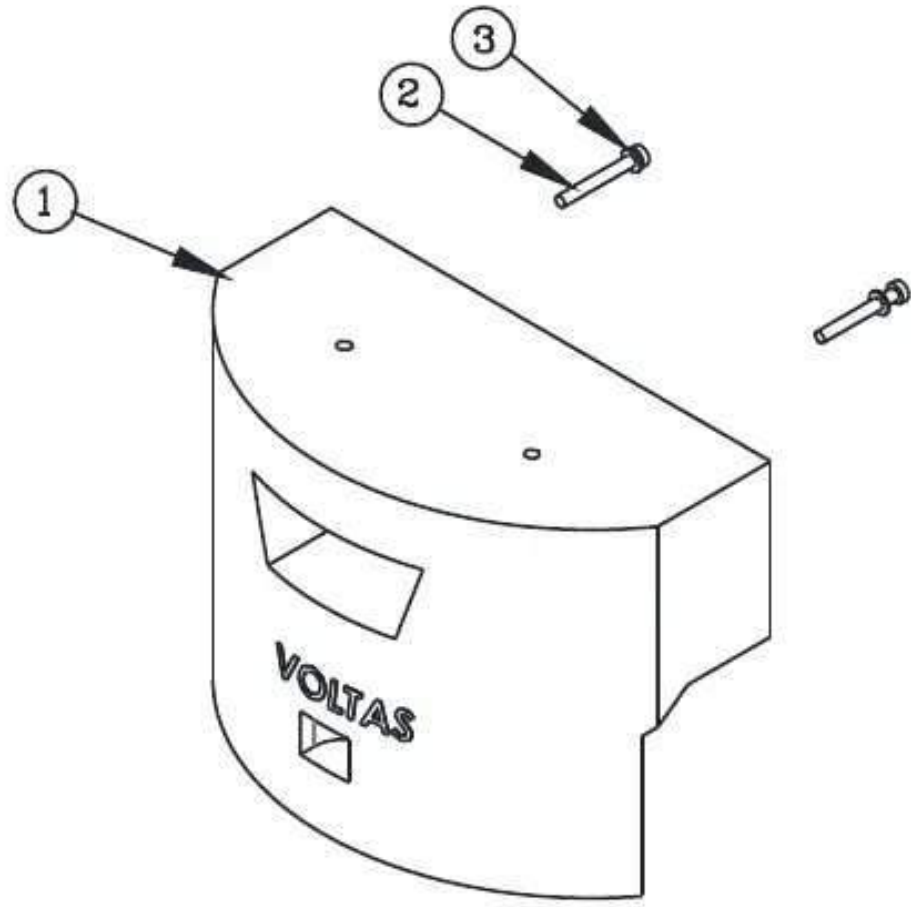
ITEM NO.	PART NO.	DESCRIPTION	QTY.	REMARKS
1	MH18531	COUNTERWEIGHT 3TON (FABRICATED)	1	
2	MH796417029	SPL. BOLT	2	
3	MH870001204	SPL. WASHER	2	



**COUNTERWEIGHT INSTALLATION (3 TON CASTING)
(MH 796417000)**

**COUNTERWEIGHT INSTALLATION (3TON CASTING)
(MH 796417000)**

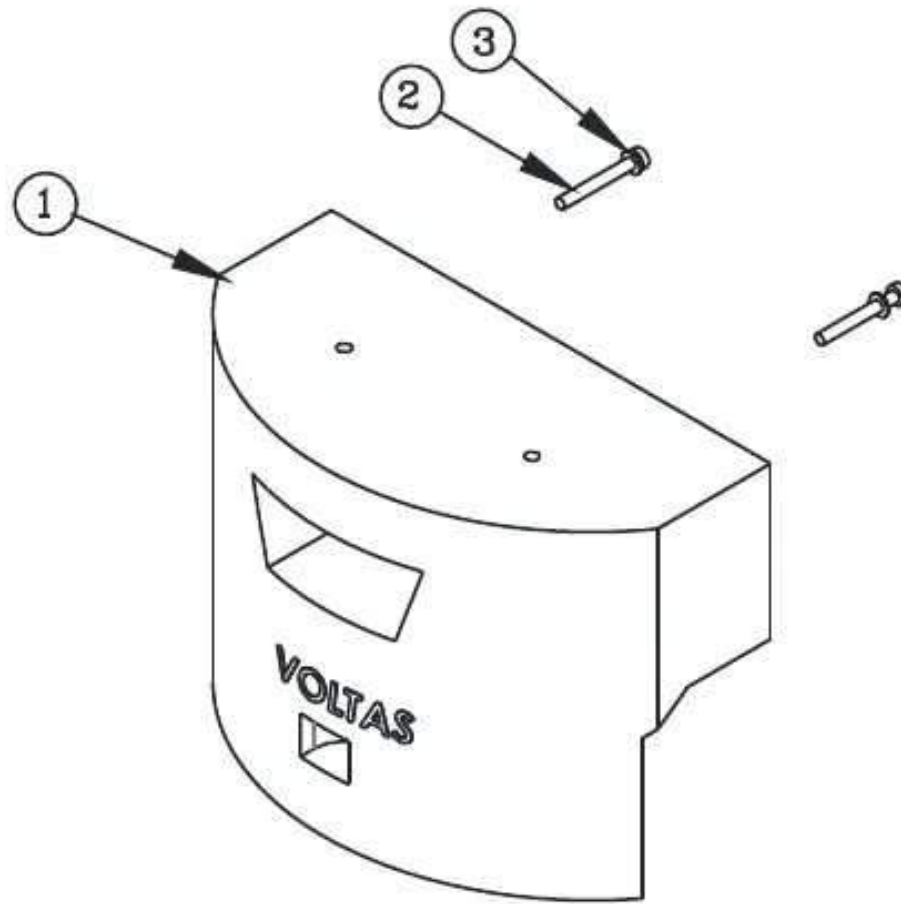
ITEM NO.	PART NO.	DESCRIPTION	QTY.	REMARKS
1	MH796417011	COUNTERWEIGHT 3TON (CASTING)	1	
2	MH796417029	SPL. BOLT	2	
3	MH870001204	SPL. WASHER	2	



**COUNTERWEIGHT INSTALLATION (2.5 TON FABRICATED)
(MH 40393)**

**COUNTERWEIGHT INSTALLATION (2.5TON FABRICATED)
(MH 40393)**

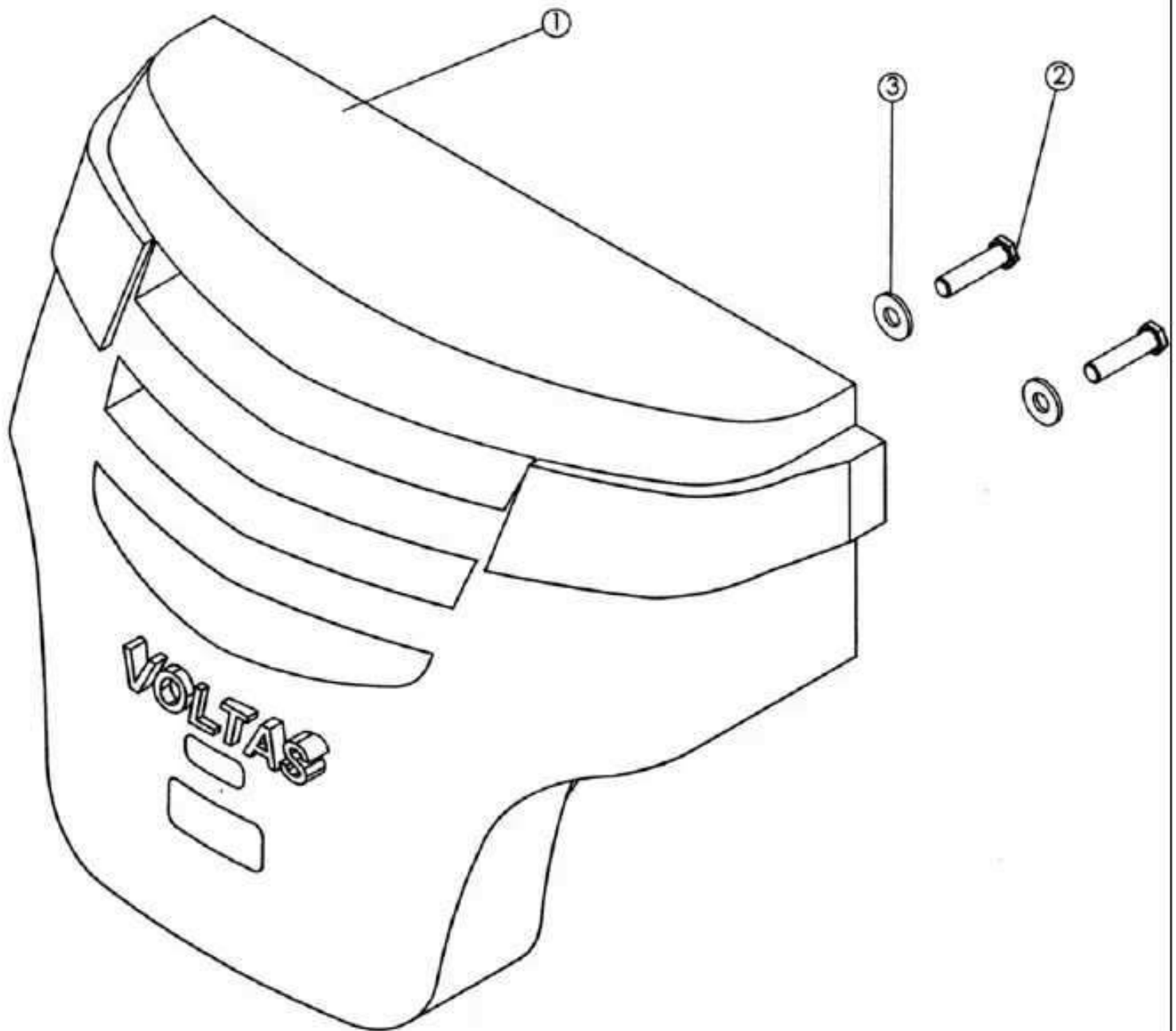
ITEM NO.	PART NO.	DESCRIPTION	QTY.	REMARKS
1	MH18873	COUNTERWEIGHT 2.5TON (FABRICATED)	1	
2	MH796417029	SPL. BOLT	2	
3	MH870001204	SPL. WASHER	2	



**COUNTERWEIGHT INSTALLATION (2.0 TON FABRICATED)
(MH 40097)**

**COUNTERWEIGHT INSTALLATION (2.0TON FABRICATED)
(MH 40097)**

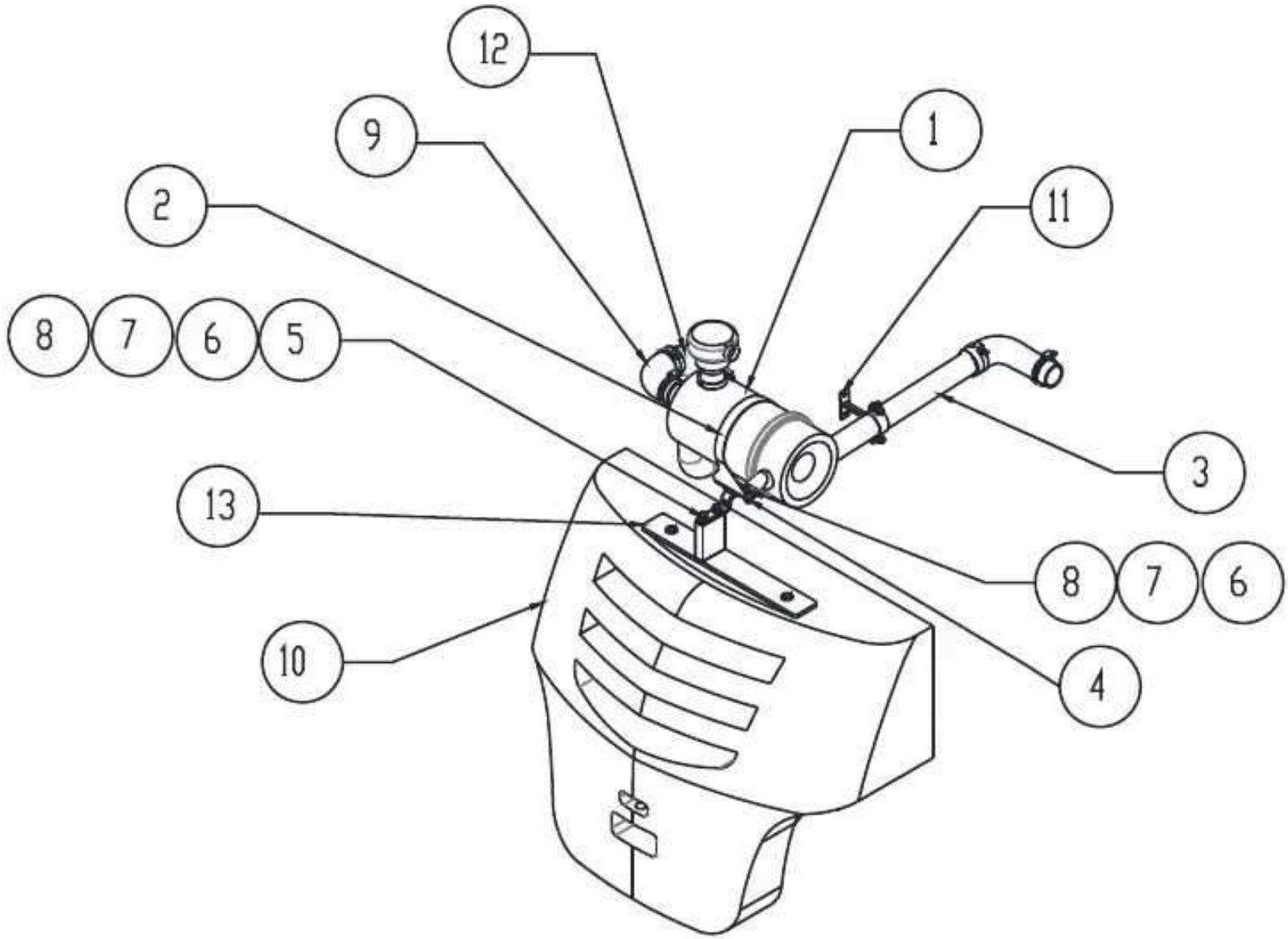
ITEM NO.	PART NO.	DESCRIPTION	QTY.	REMARKS
1	MH18872	COUNTERWEIGHT 2.0TON (FABRICATED)	1	
2	MH796417029	SPL. BOLT	2	
3	MH870001204	SPL. WASHER	2	



**COUNTERWEIGHT INSTALLATION (2.0TON CASTING)
(MH 796417079)**

**COUNTERWEIGHT INSTALLATION (2.0TON CASTING)
(MH 796417079)**

ITEM NO.	PART NO.	DESCRIPTION	QTY.	REMARKS
1	MH796417041	COUNTERWEIGHT 2.0TON (CASTING)	1	
2	MH796417029	SPL. BOLT	2	
3	MH870001204	SPL. WASHER	2	



**AIR INTAKE SYSTEM ON FABRICATED COUNTER WEIGHT
(SIMPSON S4 ENGINE)
(MH 40843)**

AIR INTAKE SYSTEM ON FABRICATED COUNTER WEIGHT (MH 40843)

ITEM NO.	PART NO.	DESCRIPTION	QTY.	REMARKS
1	MH40059	AIR INTAKE FILTER	1	
2	MH10206	AIR FILTER MTG. BKT.	1	
3	MH40663	HOSE	1	
4	MH796424013	AIR CLEANER SUPPORT BKT.	1	
5	MH99217419	HEX HEAD BOLT M12	10	
6	MH992761115	HEX NUT FOR M12	8	
7	MH992781644	PLAIN WASHER FOR M12	10	
8	MH992791545	SPRING WASHER FOR M12	10	
9	MH44Z12D9	HOSE CLAMP	5	
		RUBBER EVACULATOR	1	
10	MH 40158	COUNTERWEIGHT INSTALLATION FABRICATED 3 TON	1	
	MH796417000	COUNTERWEIGHT INSTALLATION CASTING 3 TON	1	
11	MH18467	CLAMP ASSEMBLY	1	
12	MH18468	REDUCER	1	
13	MH40844	MOUNTING BLOCK	1	

ITEMS NOT SHOWN (PART OF ITEM NO. 1)

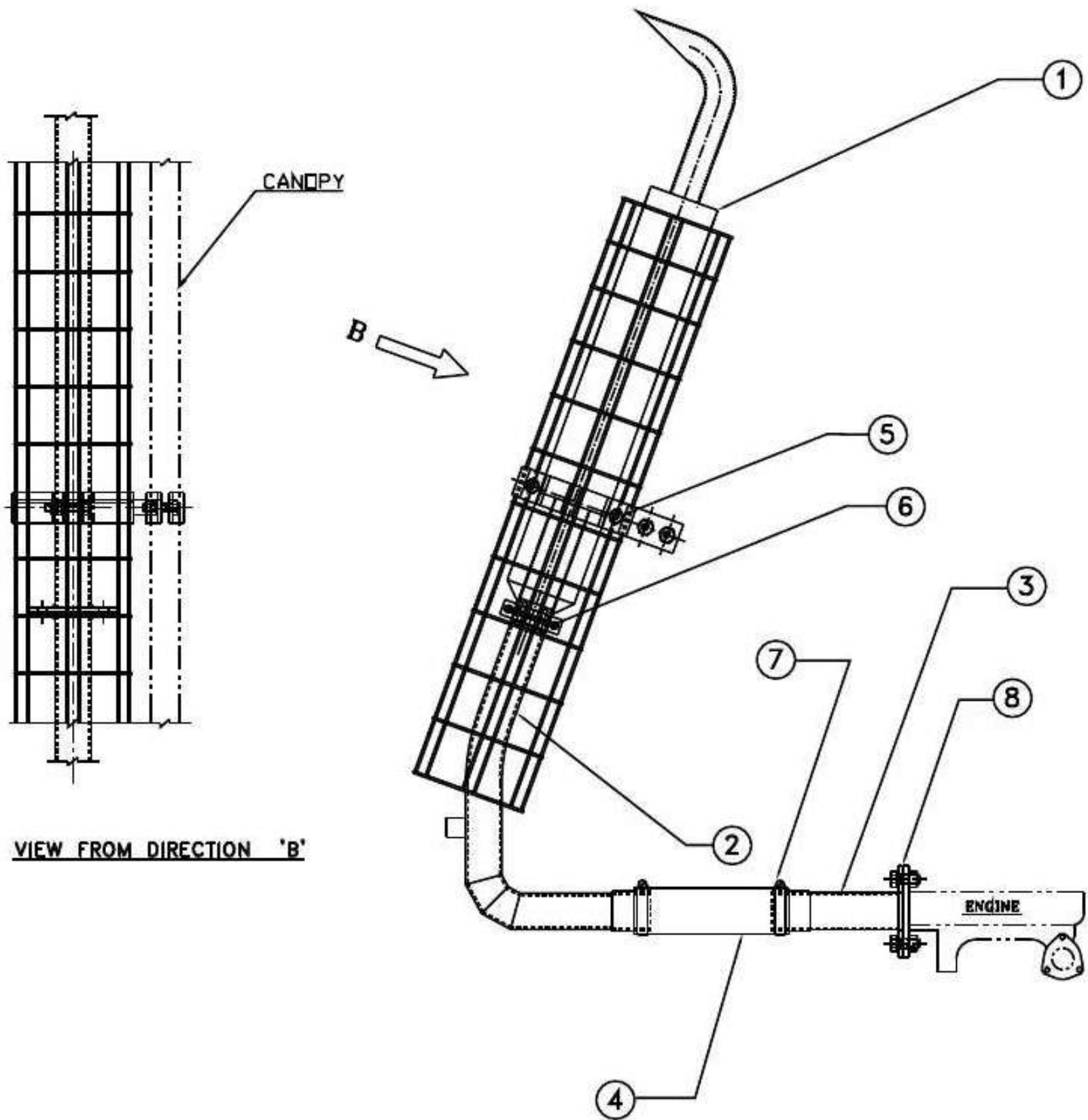
	MH10237	FILTER ELEMENT (OUTER)	1	
	MH10238	FILTER ELEMENT (INNER)	1	
	MH10239	VACCUM INDICATOR	1	
	MH992271376	HEX BOLT M10X25	4	
	MH992785634	WASHER M12X25	4*	
	MH992791535	SPECIAL WASHER	4*	

**AIR INTAKE SYSTEM ON CASTING COUNTER WEIGHT
(MH 40670)**

ITEM NO.	PART NO.	DESCRIPTION	QTY.	REMARKS
1	MH10197	AIR INTAKE FILTER	1	
2	MH10206	AIR FILTER MTG. BKT.	1	
3	MH40663	HOSE	1	
4	MH796424013	AIR CLEANER SUPPORT BKT.	1	
5	MH99217419	HEX HEAD BOLT M12	10	
6	MH992761115	HEX NUT FOR M12	8	
7	MH992781644	PLAIN WASHER FOR M12	10	
8	MH992791545	SPRING WASHER FOR M12	10	
9	MH44Z12D9	HOSE CLAMP	5	
		RUBBER EVACULATOR	1	
10	MH 40158	COUNTERWEIGHT INSTALLATION FABRICATED 3 TON	1	
	MH796417000	COUNTERWEIGHT INSTALLATION CASTING 3 TON	1	
11	MH18467	CLAMP ASSEMBLY	1	
12	MH18468	REDUCER	1	
13	MH18454	AIR INTAKE BASE PLATE	1	

ITEMS NOT SHOWN (PART OF ITEM NO. 1)

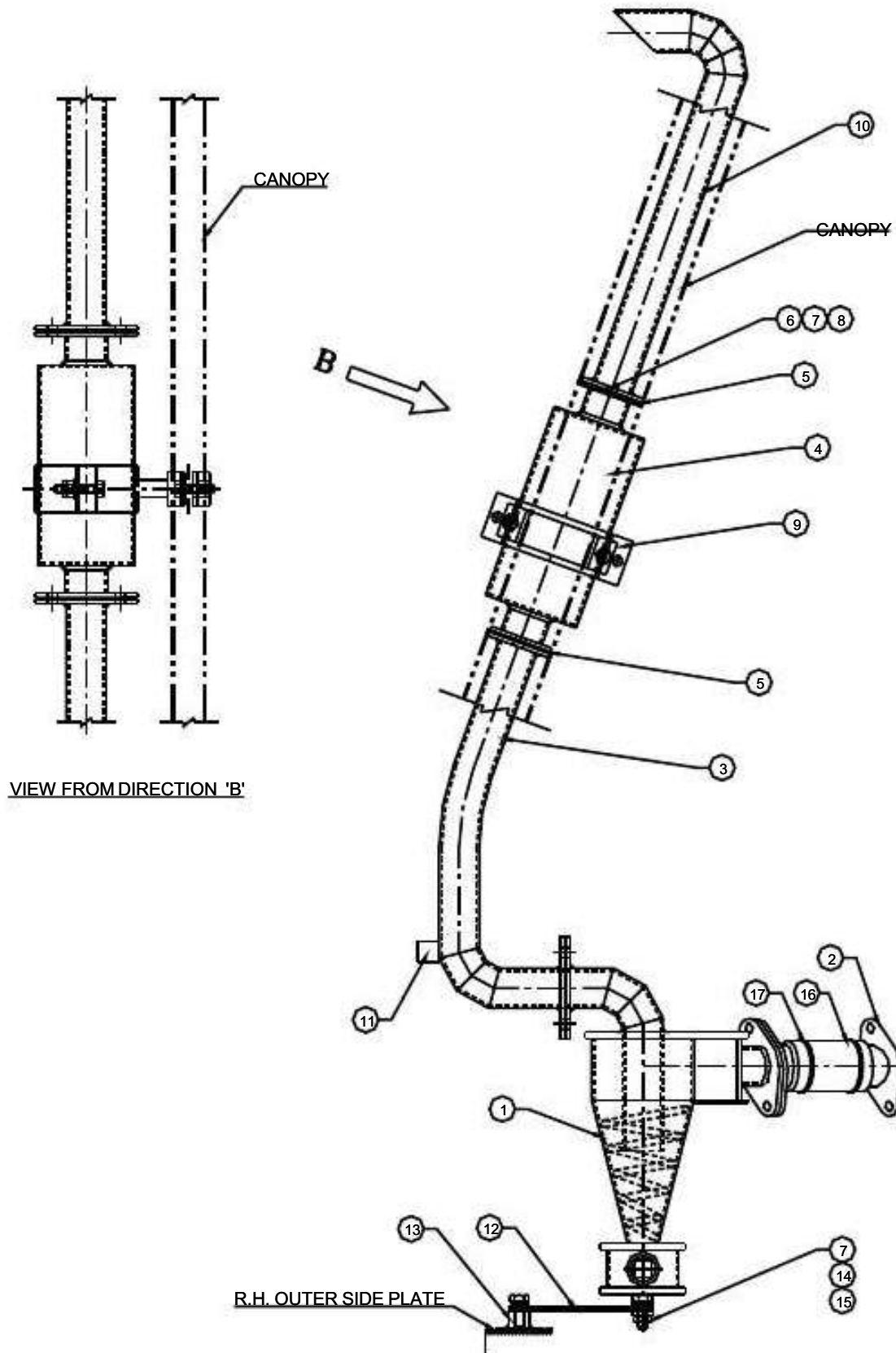
	MH10237	FILTER ELEMENT (OUTER)	1	
	MH10238	FILTER ELEMENT (INNER)	1	
	MH10239	VACCUM INDICATOR	1	
	MH992271376	HEX BOLT M10X25	4	
	MH992785634	WASHER M12X25	4*	
	MH992791535	SPECIAL WASHER	4*	



**EXHAUST SYSTEM
(MH16937)**

**EXHAUST SYSTEM
(MH16937)**

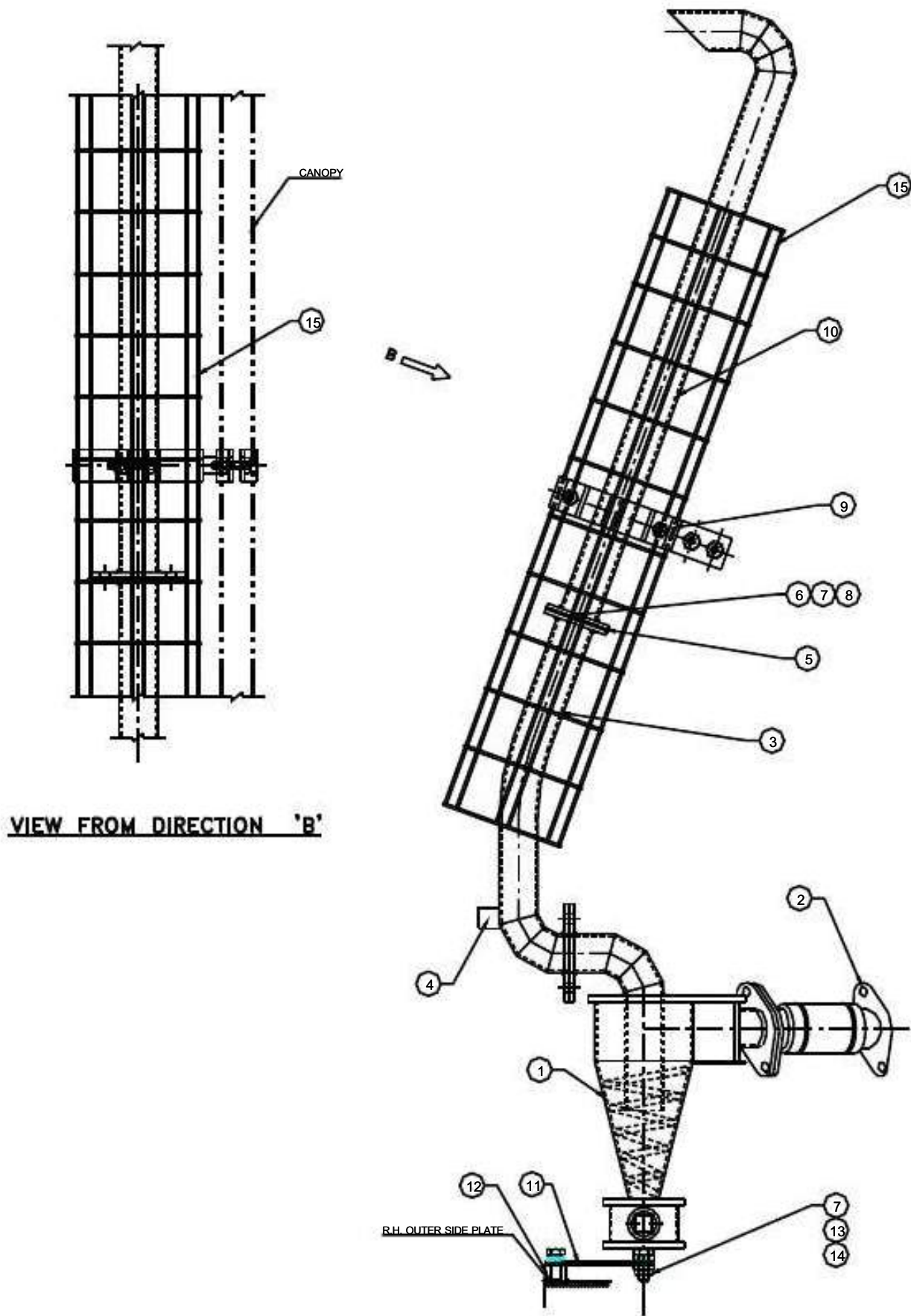
ITEM NO.	PART NO.	DESCRIPTION	QTY.	REMARKS
1	MH796410084	EXHAUST MUFFLER	1	
2	MH796410133	EXHAUST PIPE WELD' T	1	
3	MH16933	EXHAUST PIPE	1	
4	MH16883	SYNTHETIC EXHAUST RUBBER HOSE	1	
5	MH796410023	MESH GUARD ASSEMBLY	1	
6	MH785205100	CLAMP	1	
7	MH44Z12D11	HOSE CLAMP	2	
8	MH10242	GASKET FOR EXHAUST(S4)	1	



**EXHAUST ARREG. WITH EGP & SPARK ARRESTER
(MH18194)**

**EXHAUST ARREG. WITH EGP & SPARK ARRESTER
(MH18194)**

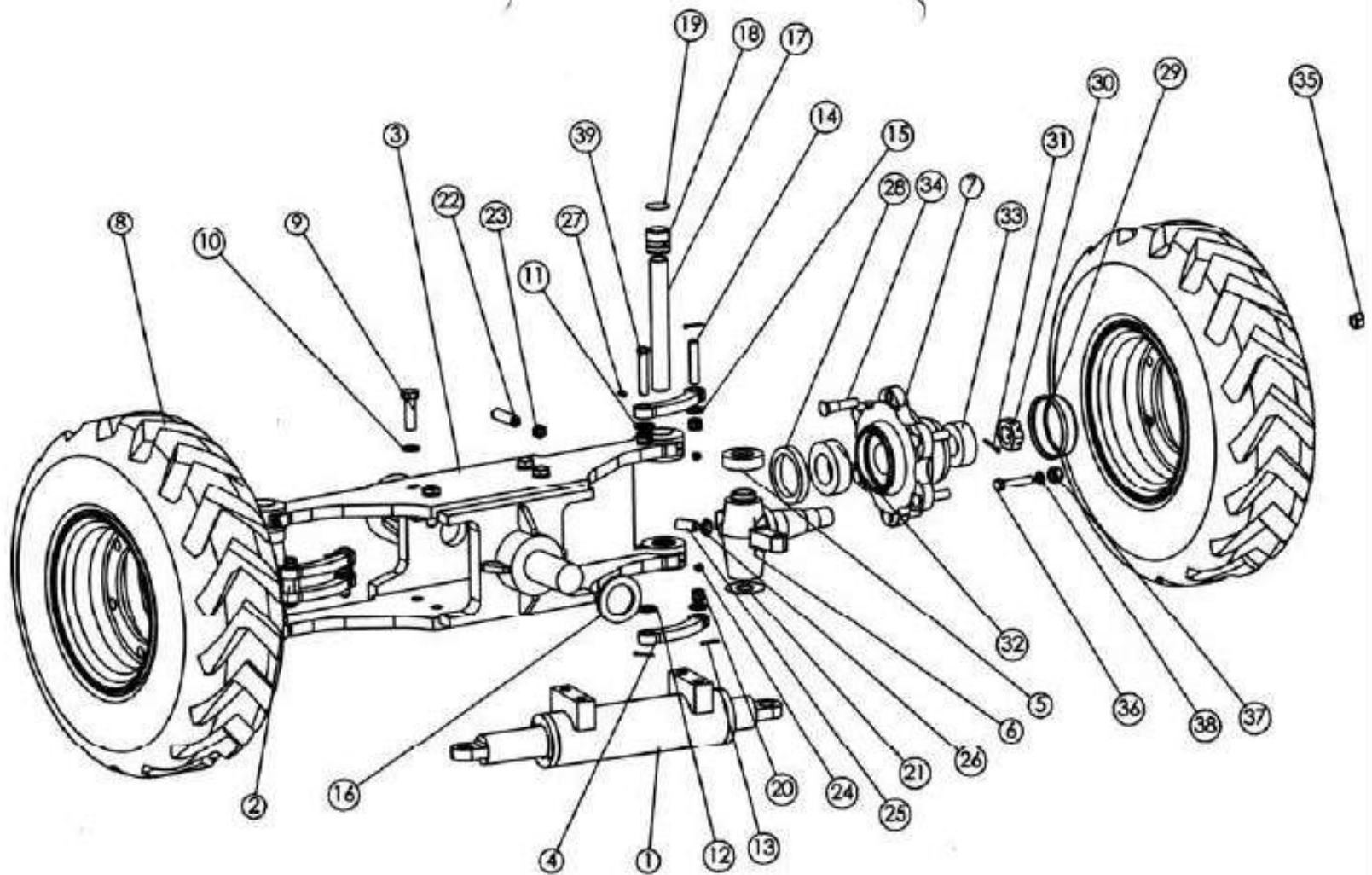
ITEM NO.	PART NO.	DESCRIPTION	QTY.	REMARKS
1	MH7857962-00	CYCLONE MUFFLERSPARK AST.	1	
2	MH18096	EXHAUST PIPE (S4 ENGINE TO SPARK AST.)	2	
3	M13992	PIPE WELDMENT (SPARK ART.TO.EGP.)	1	
4	MH17606	EXHAUST GAS PURIFIER	1	
5	MH10242	GASKET FOR EXH.(S4)	4	
6	MH992271417	HEX.SCREW M12X30Lg.	8	
7	MH992761015	HEX.NUT M12	9	
8	MH992781644	PLAIN WASHER M12	8	
9	MH14021	CLAMP ASSEMBLY.	1	
10	MH13994	PIPE WELDMENT (EGP UNIT)	1	
11		SUPPORT 6x25x25	1	
12	MH13986	SPARK ARRESTER SUPPORT	4	
13	MH13987	M12 BLOCK	1	
14	MH992271415	HEX. SCREW M12x20Lg.	2	
15	MH992791545	SPRING WASHER M12	2	
16	MH18196	SYNTHETIC EXHAUST RUBBER HOSE	1	
17	MH993728160	HOSE PIPE	2	



**EXHAUST ARREG. WITH EGP & SPARK ARRESTER
(MH18193)**

**EXHAUST ARREG. WITH SPARK ARRESTER
(MH18193)**

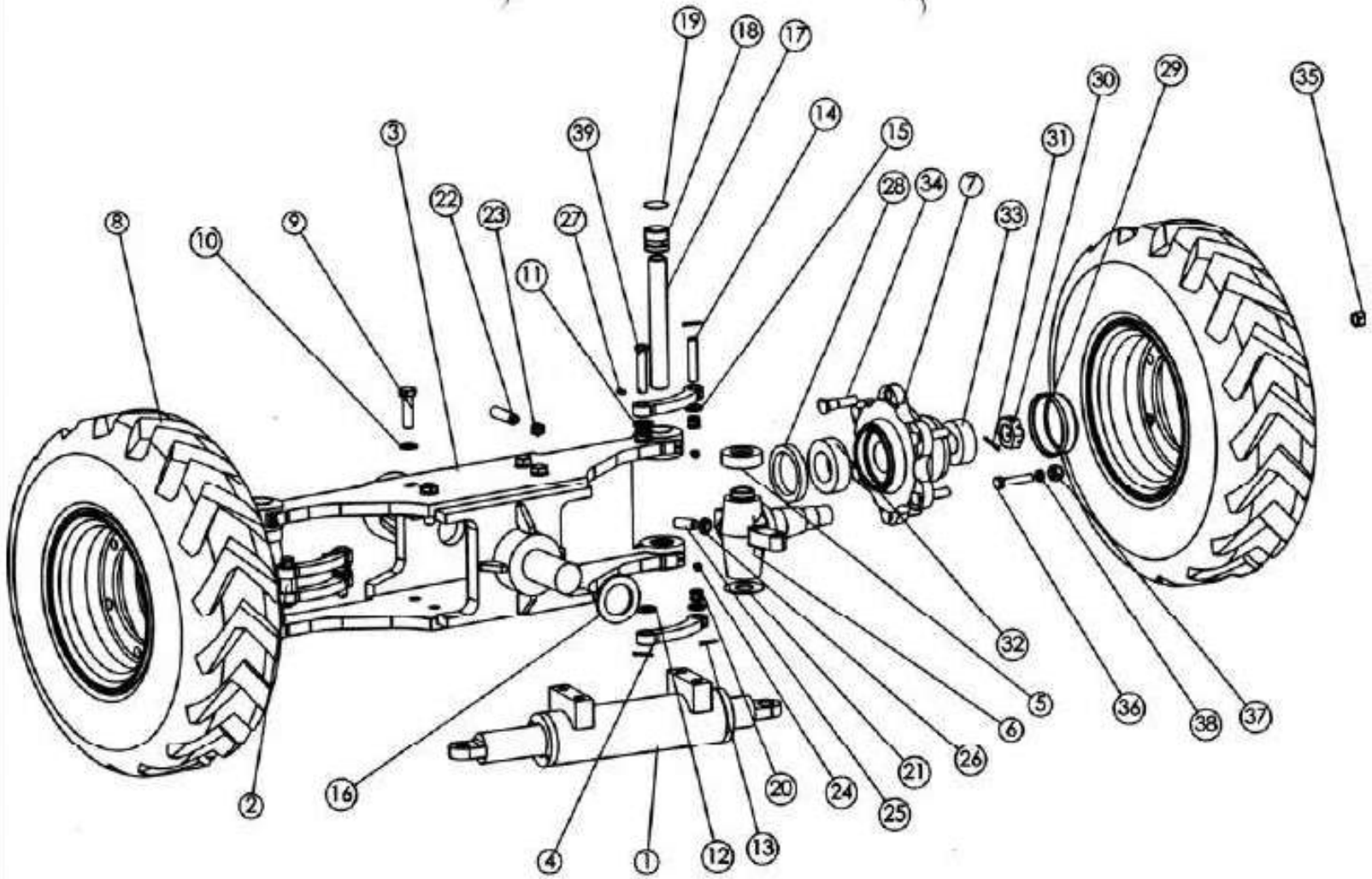
ITEM NO.	PART NO.	DESCRIPTION	QTY.	REMARKS
1	MH7857962-00	CYCLONE MUFFLERSPARK AST.	1	
2	MH18096	EXHAUST PIPE (S4 ENGINE TO SPARK AST.)	2	
3	M13992	PIPE WELDMENT (SPARK ART.TO.EGP.)	1	
4		SUPPORT 6x25x25	1	
5	MH10242	GASKET FOR EXH.(S4)	4	
6	MH992271417	HEX.SCREW M12X30Lg.	6	
7	MH992761015	HEX.NUT M12	7	
8	MH992781644	PLAIN WASHER M12	6	
9	MH14033	CLAMP ASSEMBLY.	1	
10	MH14027	PIPE WELDMENT (EGP UNIT)	1	
11	MH13986	SPARK ARRESTER SUPPORT	4	
12	MH13987	M12 BLOCK	1	
13	MH992271415	HEX. SCREW M12x20Lg.	2	
14	MH992791545	SPRING WASHER M12	2	
15	MH796410042	MESH GUARD	1	
16	MH18196	SYNTHETIC EXHAUST RUBBER HOSE	1	
17	MH993728160	HOSE CLIP	2	



**STEER AXLE ASSEMBLY
(MH796403000)**

**STEER AXLE ASSEMBLY
(MH796403000)**

ITEM NO.	PART NO.	DESCRIPTION	QTY.	REMARKS
1	MH17732	STEER CYLINDER ASSLY (WIPRO)	1	
	MH14621	STEER CYLINDER ASSLY (DANTAL)	1	
2	MH08971	STEER KNUCKLE LH	1	
3	MH18328	WELD' T TRAIL AXLE	1	
4	MH18173	CONNECTOR LINK	4	
5	MH019383600	THRUST BEARING	2	
6	MH09182	STEER KNUCKLE RH	1	
7	MH17314	STEER WHEEL HUB NEW TYP	2	
8	MH40412S	REAR WHEEL WITH RIM ASSEMBLY (BEAR CAT)	2	
	MH40411S	REAR WHEEL WITH RIM ASSEMBLY (PNEUMATIC)	2	
9	MH992275504	HEX. SCREW	4	
10	MH992791565	SPRING WASHER M16	4	
11	MH12205	BUSH	2	
12	MH12510	SPECIAL WASHER	4	
13	MH992826225	SPLIT PIN 3.2x25	4	
14	MH796403014	YOKE PIN	2	
15	MH992781654	M.S. WASHER	8	
16	MH08978	SPACER	2	
17	MH066616800	STEERING KNUCLE PIN	2*	
18	MH785201300	BUSH FOR STEER KNUCKLE	4*	
19	MH023818300	EXPANSION PLUG	4*	
20	MH12205	BUSH	8	
21	MH016136300	SPECIAL THRUST WASHER	2*	
22	MH992573416	GRAB SCREW	2	
23	MH014971100	LOCK NUT	2	
24	MH785324300	NIPPLE	4	
25	MH08980	CLAMP SCREW	2*	
26	MH992763017	LOCK NUT M16	2*	
27	MH785324300	GREASE NIPPLE	4	
28	MH016167300	OIL SEAL	2	
29	MH514008300	HUB CAP TRAIL WHEEL	2	



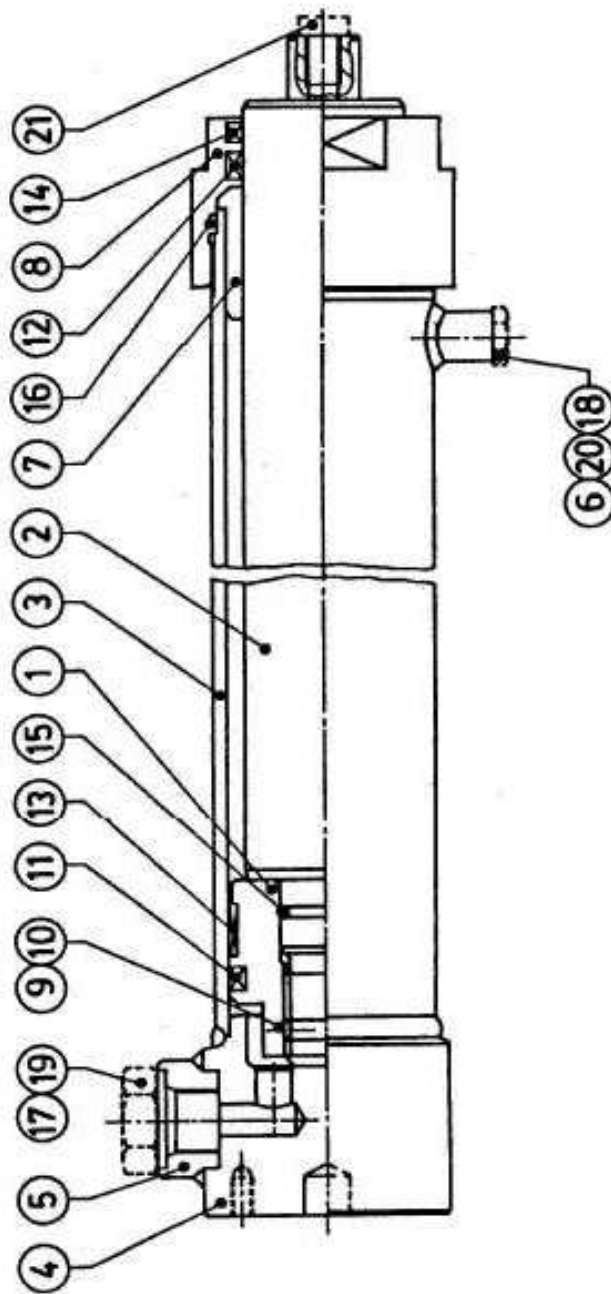
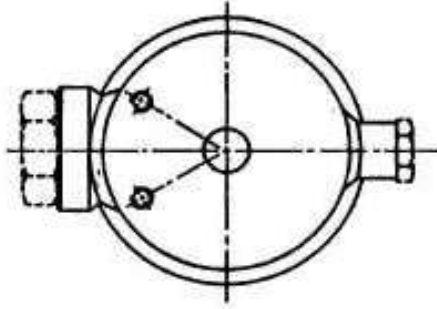
**STEER AXLE ASSEMBLY
(MH796403000)**

STEER AXLE ASSEMBLY (MH796403000)

ITEM NO.	PART NO.	DESCRIPTION	QTY.	REMARKS
30	MH796403029	SLOTTED NUT	2	
31	MH015420400	COTTER PIN	2	
32	MH993361140	OUTER BEARING	2	
33	MH993361137	TAPPER ROLLER BEARING	2	
34	MH785770701	TRAIL WHEEL BOLT	12	
35	MH12195	TRAIL WHEEL NUT	12	
36	MH785293700	TRAIL RIM STUD	12	
37	MH785764100	HEX NUT	12	
38	MHJ992791545	SPRING WASHER	12	
39	MH785577603	YOKE PIN	2	

ITEMS NOT SHOWN

ITEM NO.	PART NO.	DESCRIPTION	QTY.	REMARKS
	MH016344800	BUSH	2	
	MH09019	BLOCK ASSEMBLY	1	
	MH016134000	WASHER ARTICULATING 4"x2 1/16"	3	
	MH023631200	WASHER 4"x 2 1/32" x 1/32"	2	
	MH023631300	WASHER 4"x 2 1/32" x 1/32"	2	
	MH12210	FABRICATED TRAIL AXLE ASSEMBLY	1	
	MH796403029	SLOTTED NUT 1 1/4"UNF	2	
	MH12510	SPECIAL WASHER	4	
	MH16650	CONNECTING LINK ASSEMBLY	4	
	MH992573501	SOC GRUB SCREW M16x40	2	
	MH13227	SEAL KIT FOR STEER CYLINDER ASSY.	1	
	MH14621	ALTERNATIVE STEER CYLINDER ASSY.	1	
	MHDC0928-80	SEAL KIT FOR STEER CYLINDER 14621	1	
	MH066616800	ST. KNUCKLE PIN	2	
	MH016344800	BUSHING	2	
	MH11041	KING PI KIT	2	



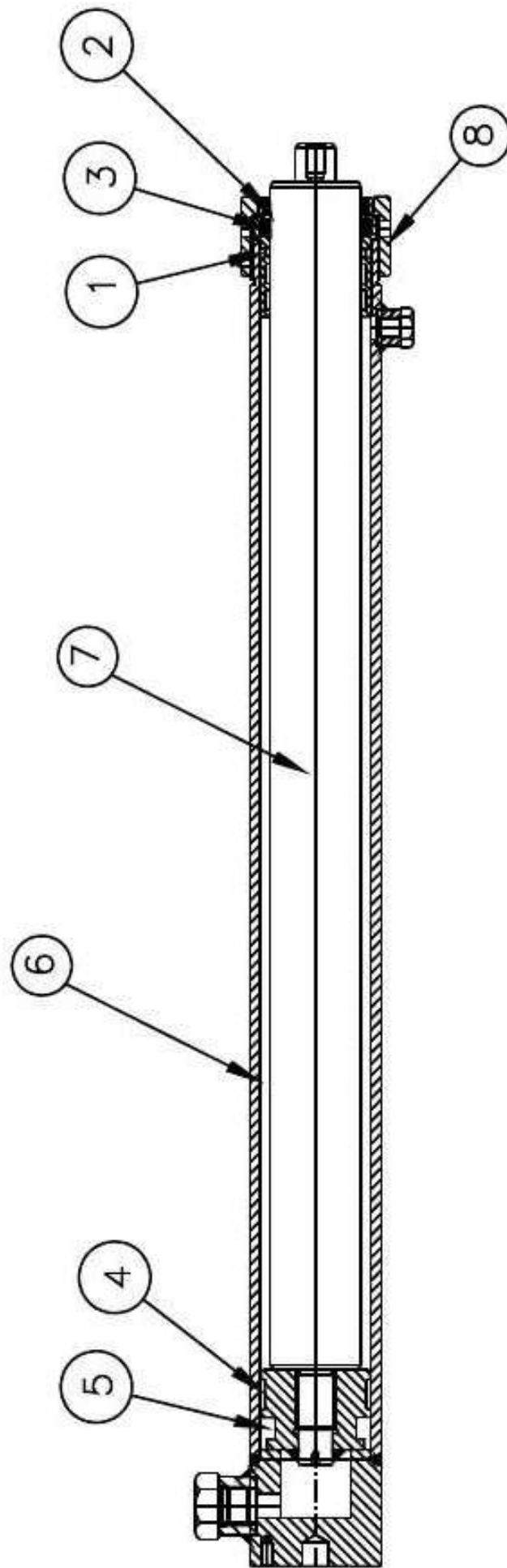
HOIST CYLINDER (ALT - 1)
(MH 10987)

SEAL KIT (P3306 – 80) CONSISTS OF ITEM NOS. 11 TO 18

HOIST CYLINDER ASSEMBLY (ALT – 1) (MH 10987)

ITEM NO.	PART NO.	DESCRIPTION	QTY.	REMARKS
1	MH P3306 - 01	PISTON	1	
2	MH P3306 - 02	PISTON ROD	1	
3	MH P3306 - 03	TUBE	1	
4	MH P3306 - 04	C.E. COVER	1	
5	MH P3306 - 05	PORT-1	1	
6	MH P3306 - 06	PORT-2	1	
7	MH P3306 - 07	GUIDE BUSH	1	
8	MH P3306 - 08	RETAINER	1	
9	MH P3306 - 09	HEX. SOC. SET SCREW	1	
10	MH P3306 - 10	CHR. ALLOY STEEL BALL	1	
11	MH P3306 - 11	PISTON SEAL	1	
12	MH P3306 - 12	ROD SEAL	1	
13	MH P3306 - 13	PISTON BEARING	1	
14	MH P3306 - 14	WIPER	1	
15	MH P3306 - 15	'O' RING	1	
16	MH P3306 - 16	'O' RING	1	
17	MH P3306 - 17	'O' RING	1	
18	MH P3306 - 18	SEALING WASHER	1	
19	MH P3306 - 19	PORT PLUG	1	
20	MH P3306 - 20	PLUG	1	
21	MH P3306 - 21	PLUG	1	

Seal Kit (P3306 - 80) consists of Item Nos. 11,12,13,14,15,16,17,18



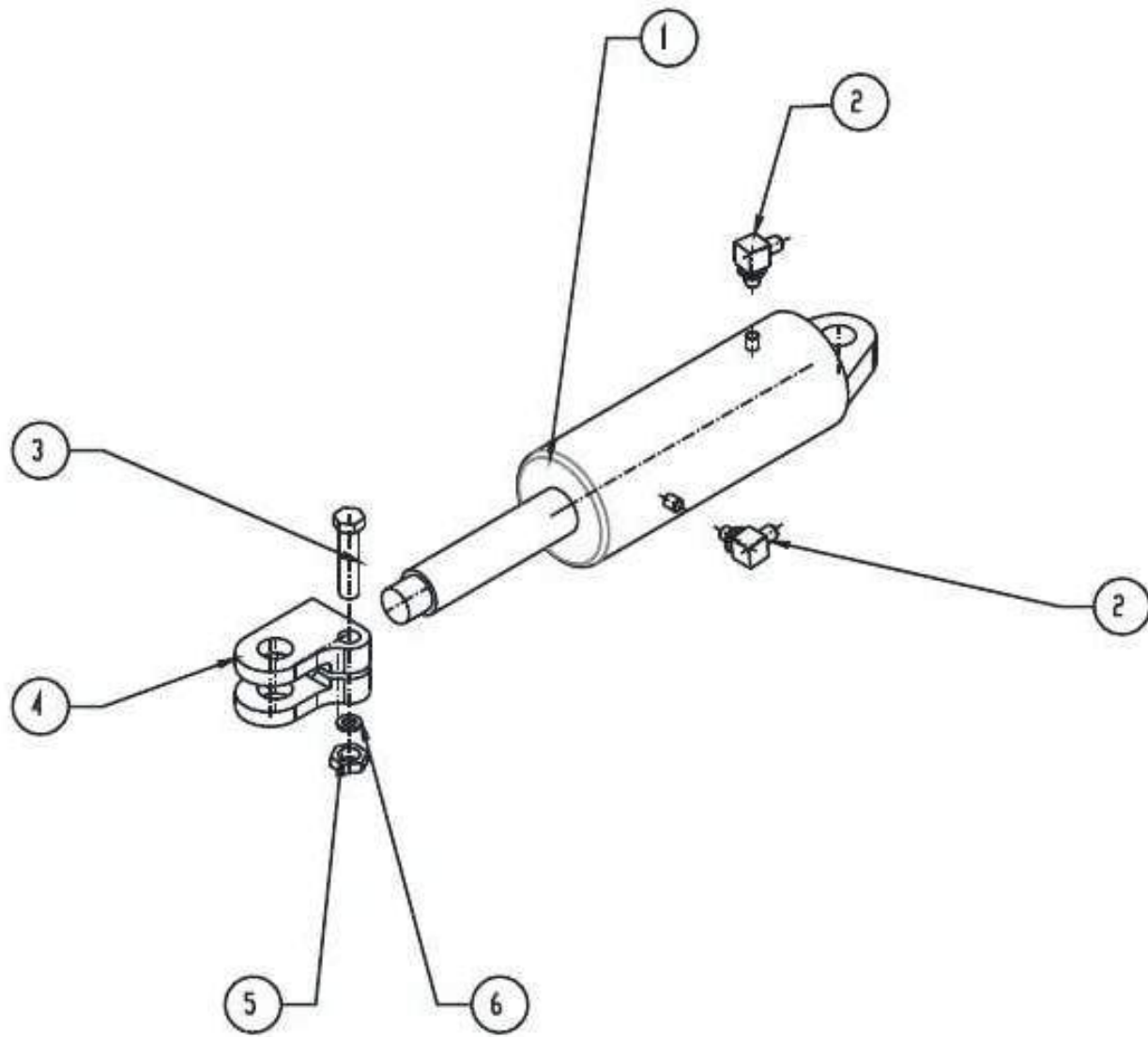
**HOIST CYLINDER (ALT – 2)
(MH14899)
SEAL KIT NO. DC – 5401 – 80**

HOIST CYLINDER ASSEMBLY (ALT – 2)

(MH14899)

ITEM NO.	PART NO.	DESCRIPTION	QTY.	REMARKS
1	MH S00504R	O RING GLAND	1	
2	MH SW045S	WIPER SEAL	1	
3	MH SG045S	GLAND SEAL	1	
4	MH SR05515025T	SLYD RING (PISTON)	1	
5	MH SG035U	PISTON SEAL	1	
6	MH DC 5401-01	CYLINDER TUBE WELDMENT	1	
7	MH DC 5401-02	PISTON ROD	1	
8	MH DC 5401-03	GLAND	1	

Seal Kit No. DC – 5401 - 80



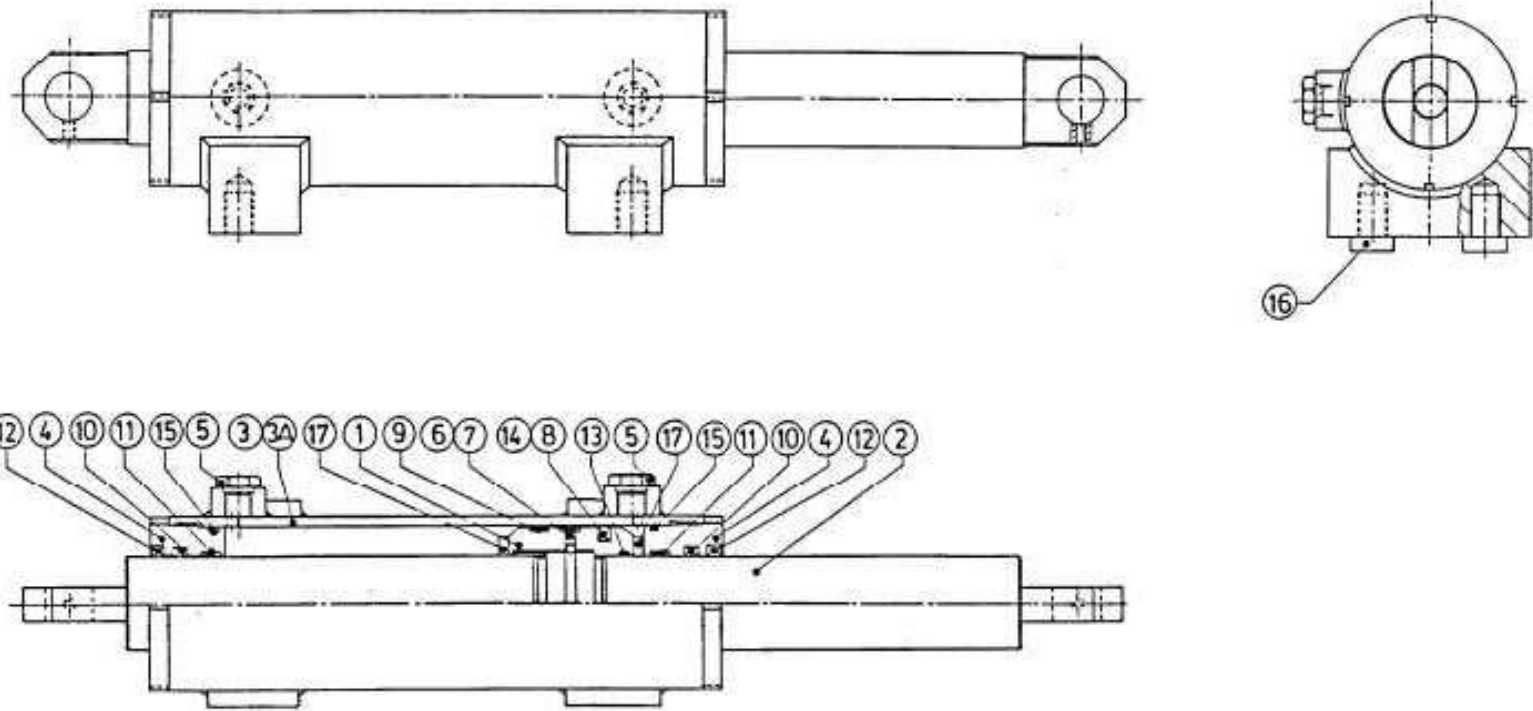
**TILT CYLINDER ASSEMBLY (VOLTAS)
(MH 40504)**

**TILT CYLINDER ASSEMBLY (VOLTAS)
(MH 40504)**

ITEM NO.	PART NO.	DESCRIPTION	QTY.	REMARKS
1	MH18273	TILT CYLINDER	2	
2	MH40678	90° ELBOW	2	
3	MH063894200	HEX SCREW 3/4" x 3 1/4" LG. GR-5	2	
4	MH501900300	ROD END	2	
5	MH014939500	NYLOCK NUT	2	
6	MH015026400	LOCK WASHER FOR 3/8".	2	

ITEM NOT SHOWN

ITEM NO.	PART NO.	DESCRIPTION	QTY.	REMARKS
1	MH509816101	TILT CYL PIN(FRONT)	1	
2	MH502658100	PIN RETAINER(FRONT)	1	
3	MH504169100	TILT CYL. PIN(REAR)	1	
4	MH504168100	PIN RETAINER (REAR)	1	

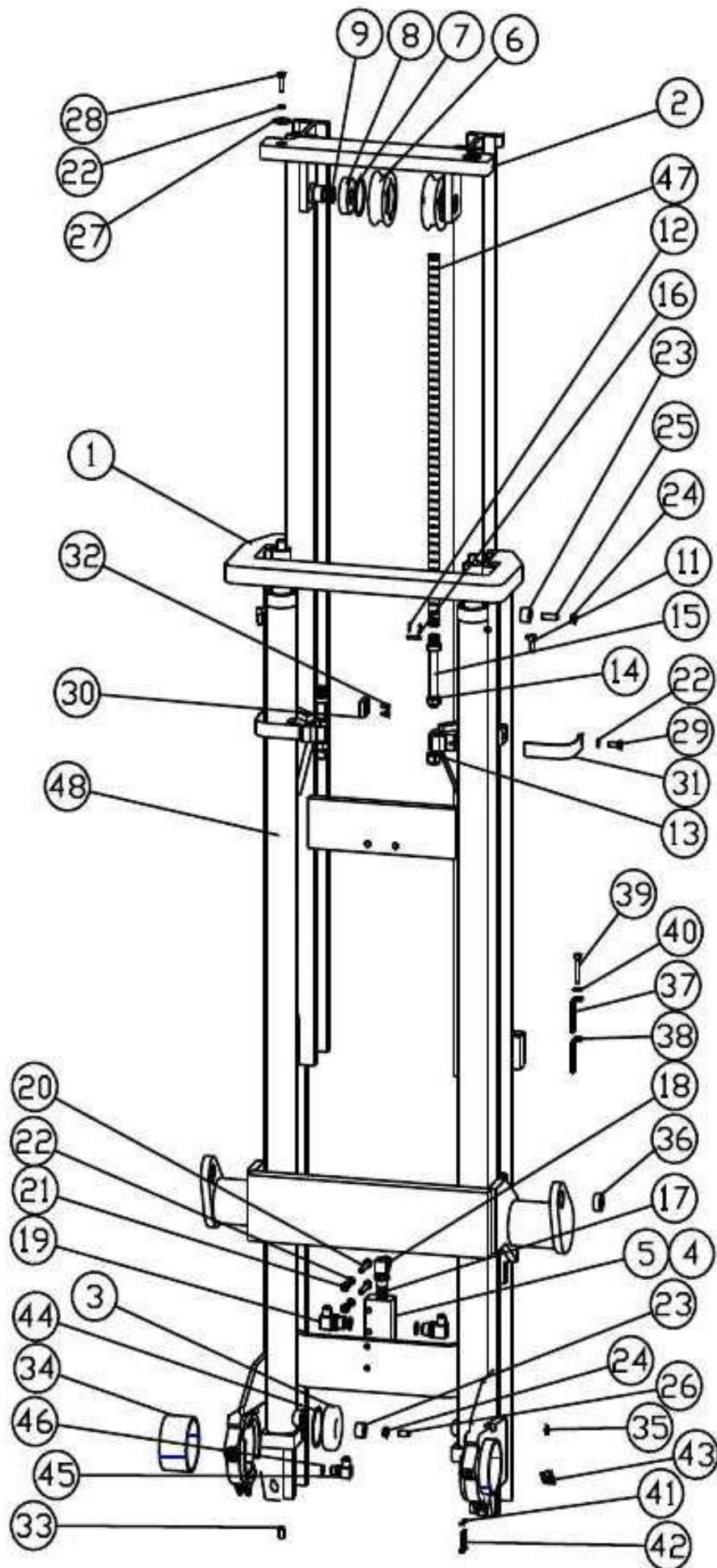


**STEER CYLINDER ASSEMBLY
(17732)**

STEER CYLINDER ASSEMBLY (MH 17732)

ITEM NO.	PART NO.	DESCRIPTION	QTY.	REMARKS
1	MH P3323D-01	PISTON	1	
2	MH P3323D-02	PISTON ROD	1	
3	MH P3323D-03	TUBE S / A	1	
3A	MH P3323D-03A	TUBE	-	
4	MH P3323D-04	H.E. COVER	2	
5	MH P3323D-05	PROTECTION PLUG	2	
6	MH P3323D-06	HEX. SOC. GRUB SCREW	1	
7	MH P3323D-07	CH. ALLOY STEEL BALL	1	
8	MH P3323D-08	PISTON SEAL	1	
9	MH P3323D-09	PISTON BEARING	1	
10	MH P3323D-10	ROD SEAL	2	
11	MH P3323D-11	ROD BEARING	2	
12	MH P3323D-12	WIPER	2	
13	MH P3323D-13	'O' RING (PISTON)	1	
14	MH P3323D-14	'O' RING (PISTON SEAL)	1	
15	MH P3323D-15	'O' RING (H.E. COVER)	2	
16	MH P3323D-16	PROTECTION CAP	4	
17	MH P3323D-17	SPACER	2	

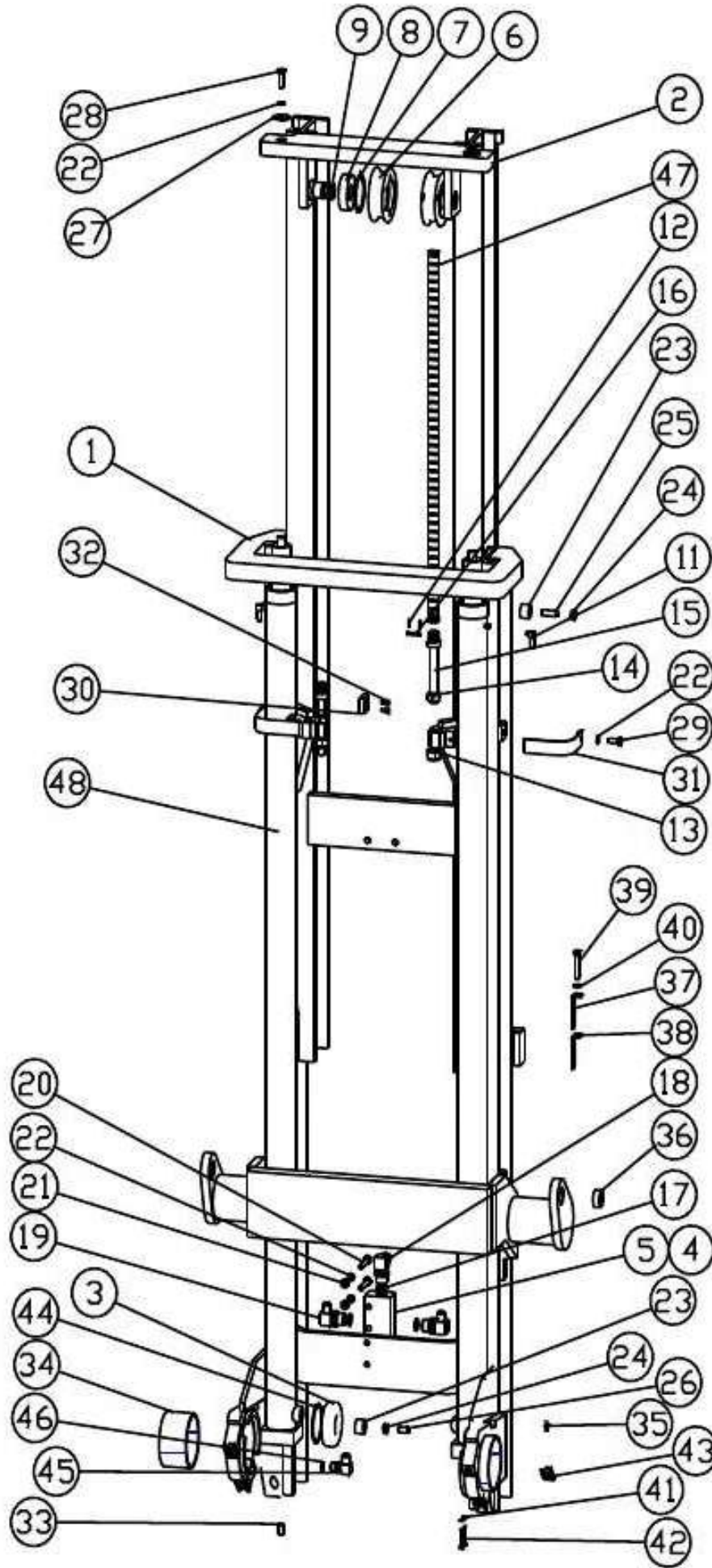
Seal Kit (P. No. 13227) consists of Item Nos. 8,9,10,11,12,13,14 & 15



**HIGH VISIBILITY MAST ASSEMBLY
(MH 40708)**

HIGH VISIBILITY MAST ASSEMBLY (MH 40708)

ITEM NO.	PART NO.	DESCRIPTION	QTY.	REMARKS
1	MH 796419082	STATIONARY WELD'T	1	
2	MH 07160	ELEVATING WELD'T	1	
3	MH 870001754	INTEGRAL BEARING	4	
4	MH 13614	FLOW REGULATOR	1	
5	MH 12319	MANIFOLD	1	
6	MH 508623301	CHAIN SHEAVE	2	
7	MH 501989903	RETAINING RING	2	
8	MH 500353903	BEARING	2	
9	MH 060379000	RETAINING RING	2	
10	MH 060733200	HEX. SCREW	2	
12	MH 992826072	SPLIT PIN	4	
13	MH 785769001	NYLOC NUT	2	
14	MH 014937500	HEX NUT	2	
15	MH 870002989	ROD END	2	
16	MH 870002974	PIN	2	
17	MH 993463092	'O' RING	3	
18	MH 993765270	ELBOW	1	
19	MH 721552700	ELBOW	2	
20	MH 992275385	HEX. SCREW	2	
21	MH 992761014	LOCK NUT	2	
22	MH 992791535	SPRING WASHER	8	
23	MH 04562101	WEAR PLUG ASSLY	4	
24	MH 014973100	JAM NUT	4	
25	MH 11274	SPL. GRUB SCREW	2	
26	MH 870000904	SPL. GRUB SCREW	2	
27	MH 12343	SPECIAL WASHER	2	
28	MH 992275379	HEX. SCREW	2	
29	MH 992275376	HEX. SCREW	4	
30	MH 12245	SPACER, MAST CYLINDER	2	
31	MH 12036	CYLINDER CLAMP	2	
32	MH 992571223	SOC. HEAD SCREW	4	
33	MH992821555	CYLINDER PIN	2	



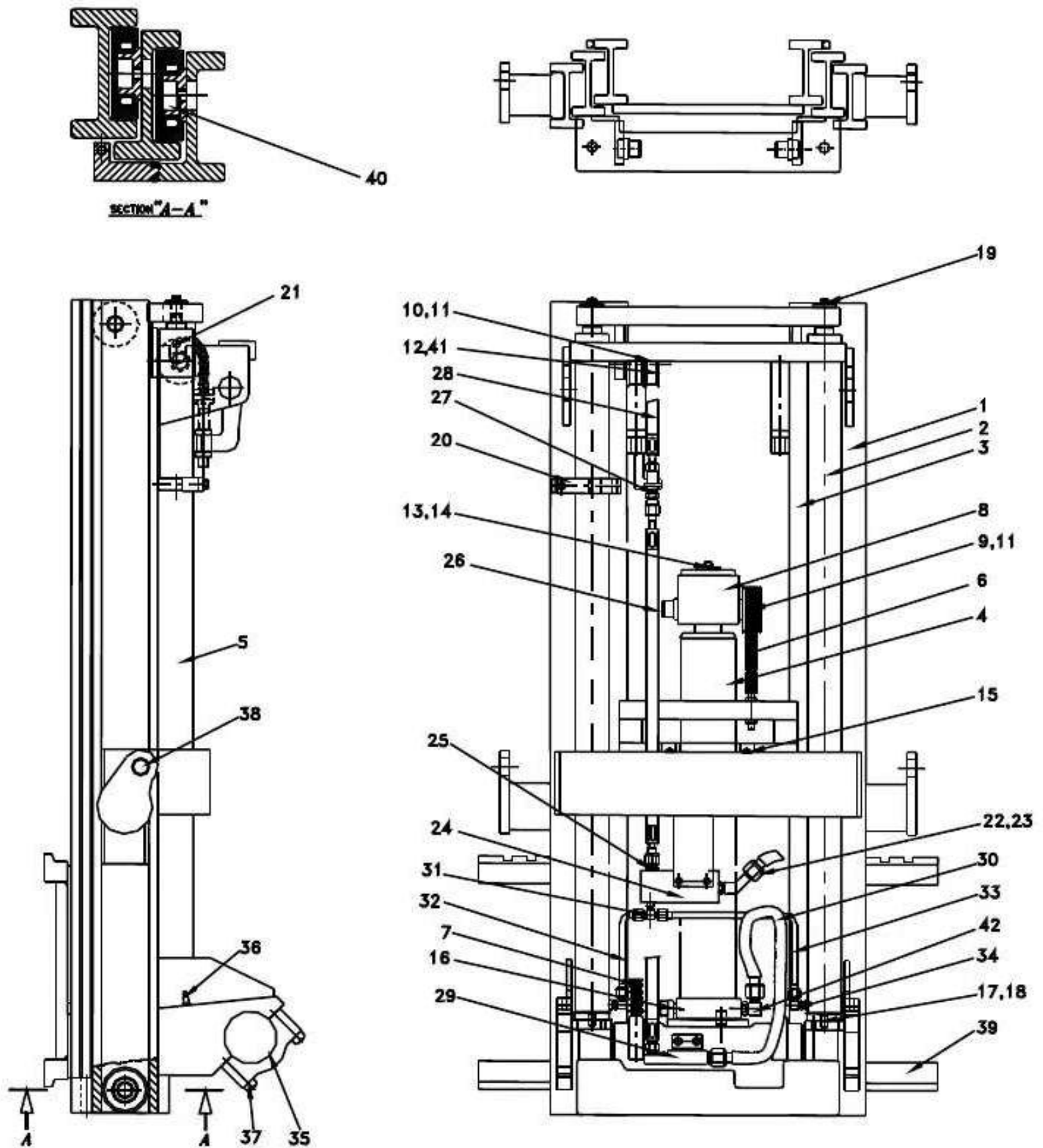
**HIGH VISIBILITY MAST ASSEMBLY
(MH40708)**

**HIGH VISIBILITY MAST ASSEMBLY
(MH40708)**

ITEM NO.	PART NO.	DESCRIPTION	QTY.	REMARKS
34	MH 18298	TRUNNION BUSHING (HALF)	4	
35	MH 785324300	LUBE FITTING	2	
36	MH 508990100	TILT PIVOT BUSHING	2	
37	MH 502313100	RETAINER WEAR STRIP	2	
38	MH 502314100	WEAR STRIP	2	
39	MH 055486700	HEX. SCREW	2	
40	MH 061278000	FLAT WASHER	2	
41	MH 992791515	SPRING WASHER	4	
42	MH 992275221	HEX. SCREW	4	
43	MH 512505100	LOCK PLATE	4	
44	MH 060313900	CIRCLIP	4	
45	MH 40683	90 °ELBOW	2	
46	MH 993463064	'O' RING	2	
47	MH 10135	HOIST CHAIN	2	
48	MH 16018	HOIST CYLINDER	2	

ITEM NOT SHOWN

	MH 40698	HOSE	2	
--	----------	------	---	--

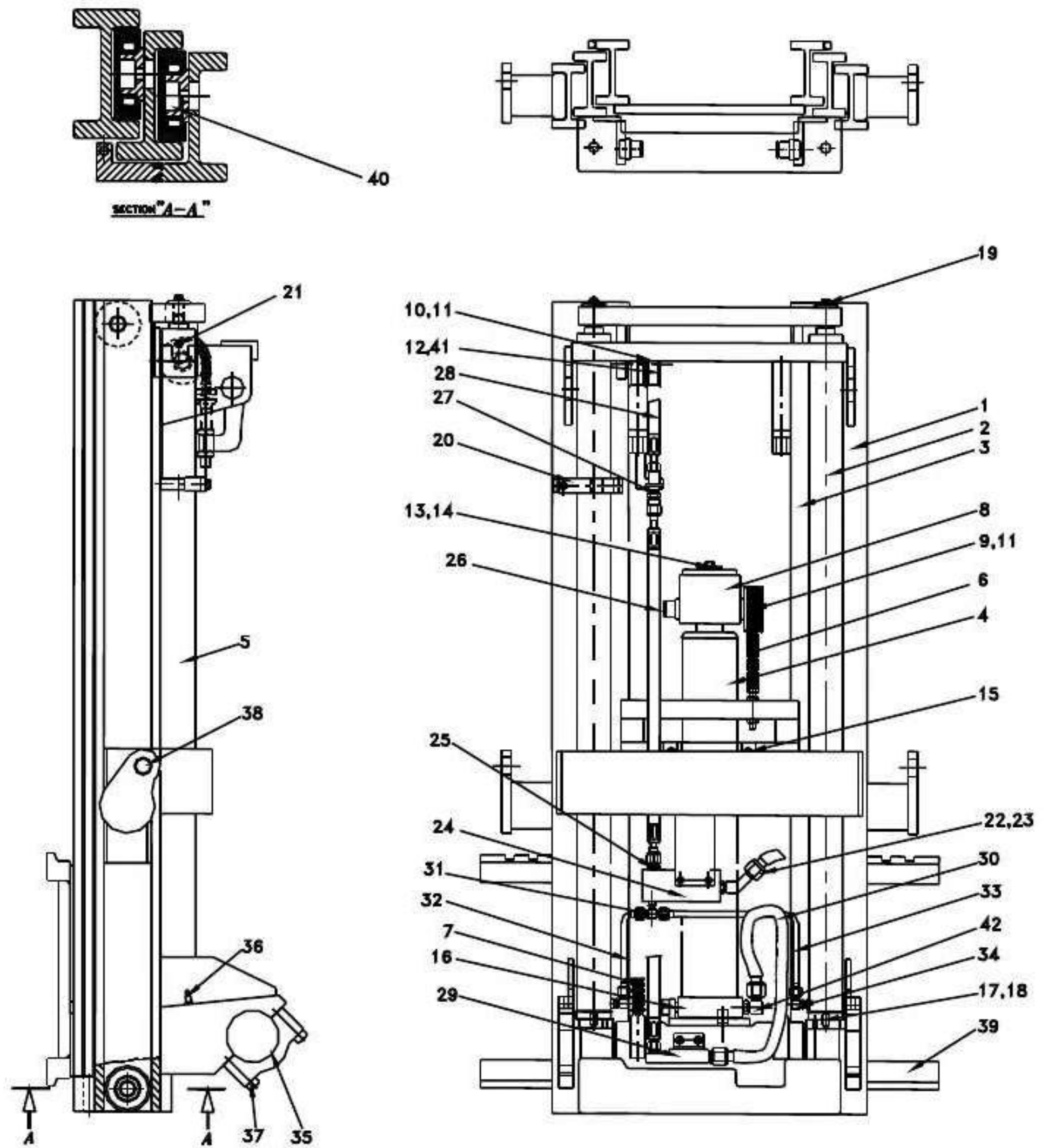


HVT 2125 MAST ASSEMBLY

(MH 40707)

HVT 2125 MAST ASSEMBLY (MH 40707)

ITEM NO.	PART NO.	DESCRIPTION	QTY.	REMARKS
1	MH 14208	STATIONARY WELDMENT	1	
2	MH 14157	SECONDARY ELEV. WELDMENT	1	
3	MH 14158	PRIMARY ELEV. WELDMENT	1	
4	MH 16201 MH 16438	HOIST CYLINDER ASSLY. SEALKIT NO.-DC6556-650 HOIST CYLINDER ASSLY. SEALKIT NO.-SSP5350	1	
5	MH 16208 MH 16435	HOIST CYLINDER ASSLY. – HVM SEALKIT NO.-DC6040-650 HOIST CYLINDER ASSLY. – HVM SEALKIT NO.-SSP5112	2	
6	MH 13344	CARRIAGE LIFTING CHAIN & ANCHOR ASSLY	2	
7	MH 14195	PRIMARY LIFTING CHAIN & ANCHOR ASSLY	2	
8	MH 12025	SHEAVE SUPPORT	1	
9	MH 508622301	CHAIN SHEAVE	3	
10	MH 12721	CHAIN SHEAVE	1	
11	MH 500353903	BEARING	4	
	MH 501989903	INTERNAL SNAP RING	4	
	MH 060379000	EXTERNAL SNAP RING	4	
12	MH 12520	HOSE SHEAVE	1	
	MH 992571189	SOCKET HEAD SCREW	6	
13	MH 513837100	SPHERICAL WASHER	1	
14	MH 014638000	HEX. HEAD SCREW	1	
	MH 506611100	RETAINING WASHER	1	
15	MH 16353	CYLINDER CLAMP BRACKET	1	
	MH 13176	HEX. BOLT M12 X 85 LG.	2	
	MH 870000874	HEX. NUT M12	2	
	MH 992781644	WASHER FOR M12	2	
	MH 992791545	SPRING WASHER FOR M12	2	
16	MH 501938901	SOCKET HEAD SCREW 5/8" - 18 UNF X 3/4" LG.	1	
17	MH 992821555	CYLINDER LOCATING PIN	2	
18	MH 992571219	SOCKET HEAD SCREW M6 X 35 LG.	4	
	MH 992791515	SPRING WASHER FOR M6	4	

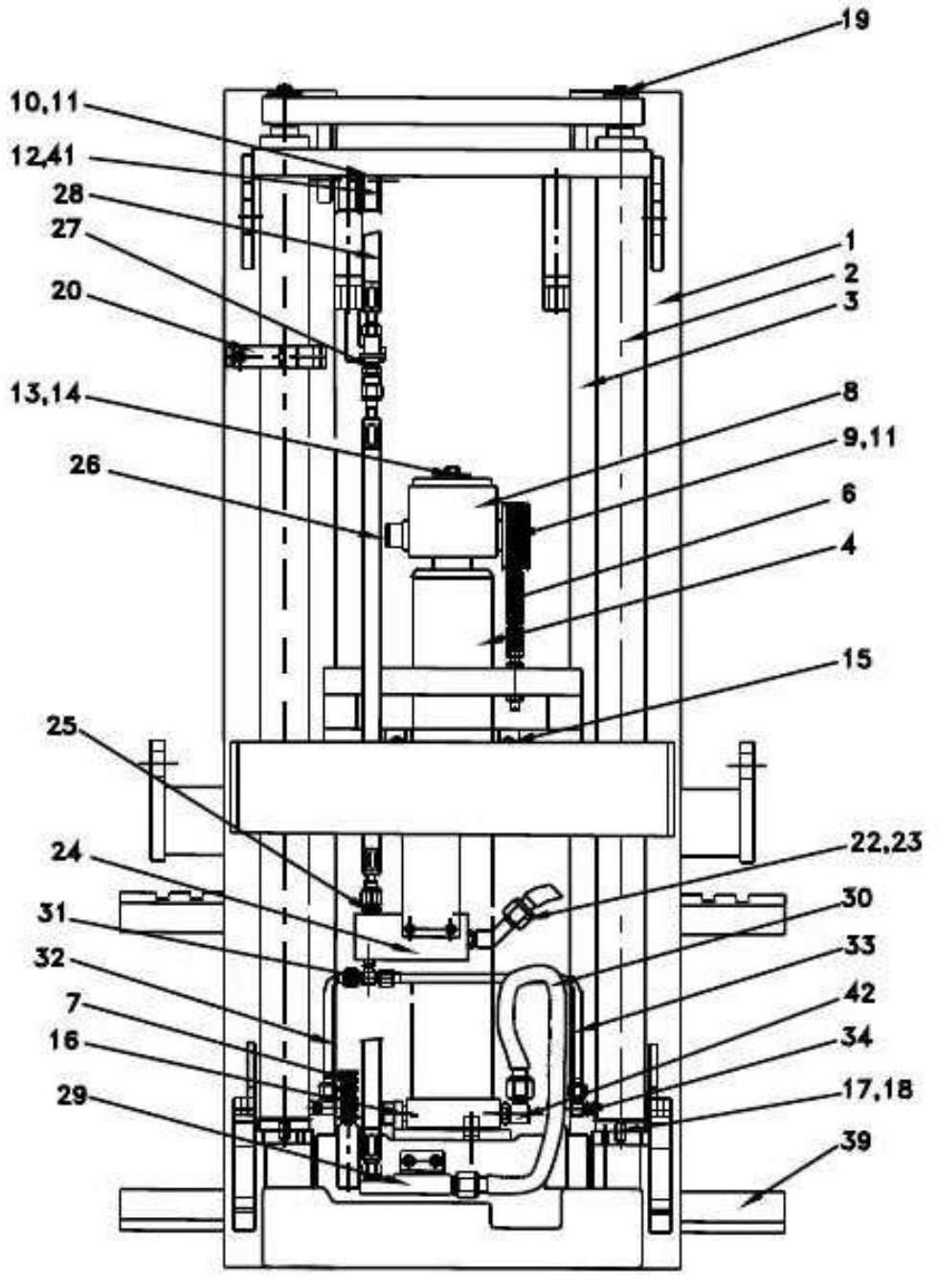
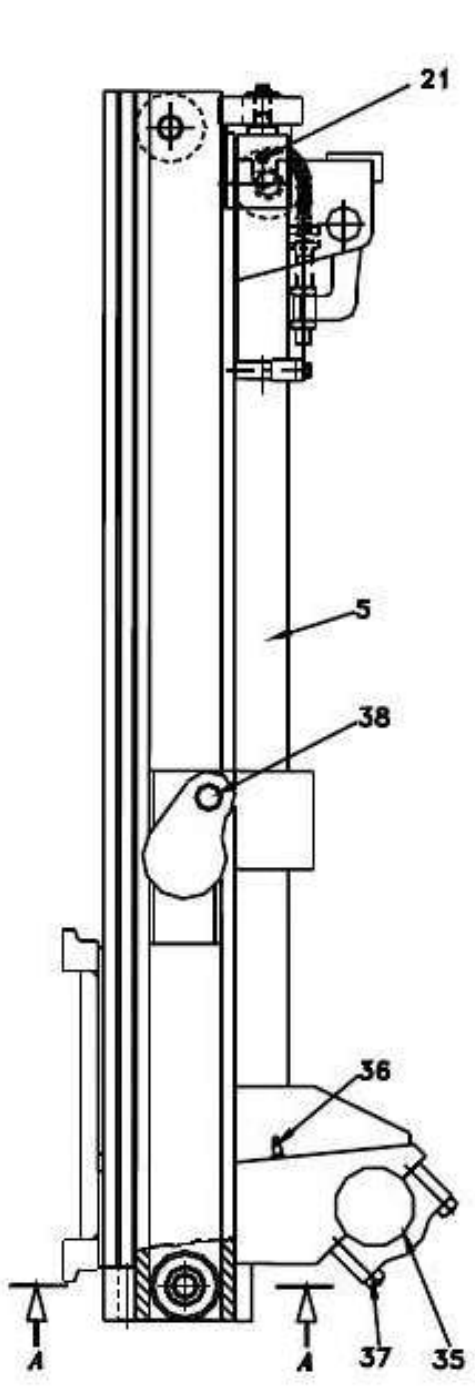
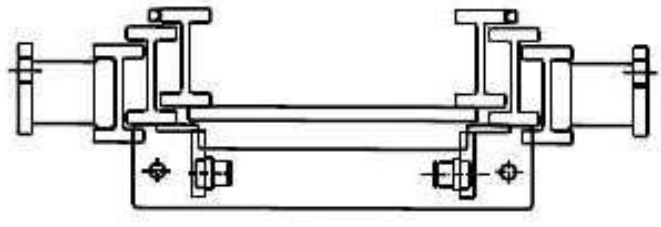
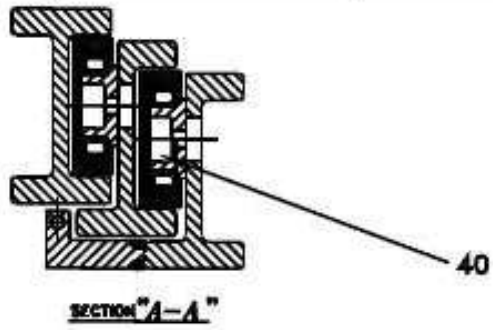


**HVT 2125 MAST ASSEMBLY
(MH 40707)**

HVT 2125 MAST ASSEMBLY (MH 40707)

ITEM NO.	PART NO.	DESCRIPTION	QTY.	REMARKS
19	MH 11815	SPACER	2	
	MH 12276	WAHSER	2	
	MH 992175382	HEX. HD. SCREW M10 X 1.5 X 45 LG.	2	
	MH 992791535	SPRING WASHER FOR M10	2	
	MH 12275	SPACER	2	
20	MH 12036	CYLINDER CLAMP	2	
	MH 992175419	HEX. SCREW M12 X 30 LG.	2	
	MH 992791545	SPRING WASHER FOR M12	2	
21	MH 09391	PLUG	2	
22	MH 993832846	HOSE ASSEMBLY	1	
23	MH 40682	45 Deg, ELBOW	1	
		'O' RING	1	
24	MH 12319	MANIFOLD	1	
	MH 992275387	HEX SCREW M10 X 70 LG.	2	
	MH 992791535	SPRING WASHER FOR M10	2	
	MH 10106	FLOW REGULATOR	1	
25	MH 40688	STRAIGHT ADAPTOR	1	
		'O' RING	1	
26	MH 40701	HOSE ASSLY.	1	
27	MH 40692	STRAIGHT ADAPTOR	1	
28	MH 40697	HOSE ASSEMBLY	1	
29	MH 40675	BULK HEAD ELBOW	1	
30	MH 40704	HOSE ASSEMBLY	1	
31	MH 40685	TEE FITTING	1	
	MH 993463092	'O' RING	1	
32	MH 40705	HYDRAULIC PIPE – LH	1	
33	MH 40703	HYDRAULIC PIPE – RH	1	
34	MH 40683	90°, ELBOW	2	
	MH 993463064	'O' RING	2	
35	MH 18298	TRUNNION BUSHING (HALF)	4	
36	MH 785324300	LUBE FITTING	2	
37	MH 203156700	HEX. HD. SCREW	4	
	MH 512505100	LOCK PLATE	4	

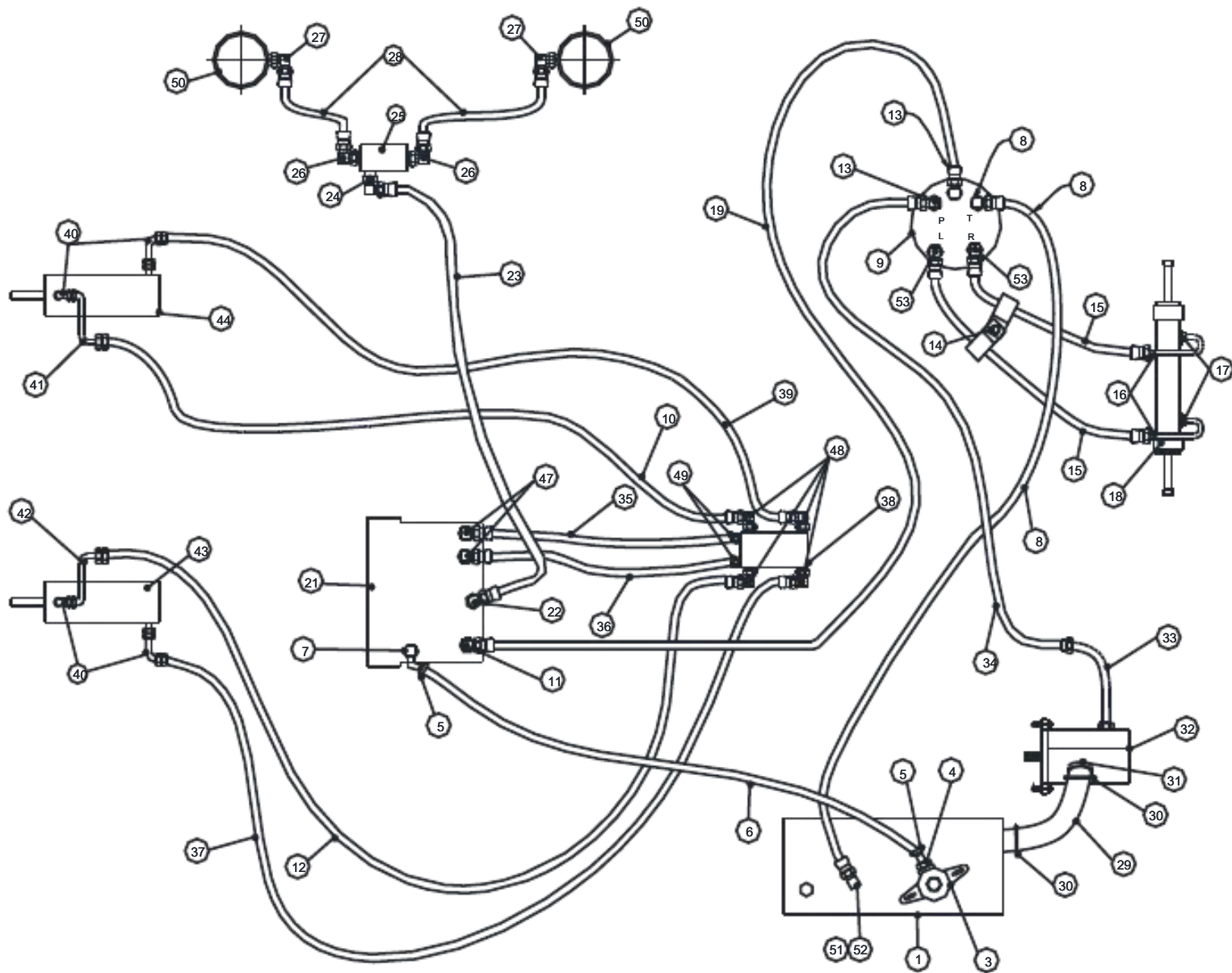
38	MH 508990100	TILT PIVOT BUSHING	2
----	--------------	--------------------	---



**HVT 2125 MAST ASSEMBLY
(MH 40707)**

**HVT 2125 MAST ASSEMBLY
(MH 40707)**

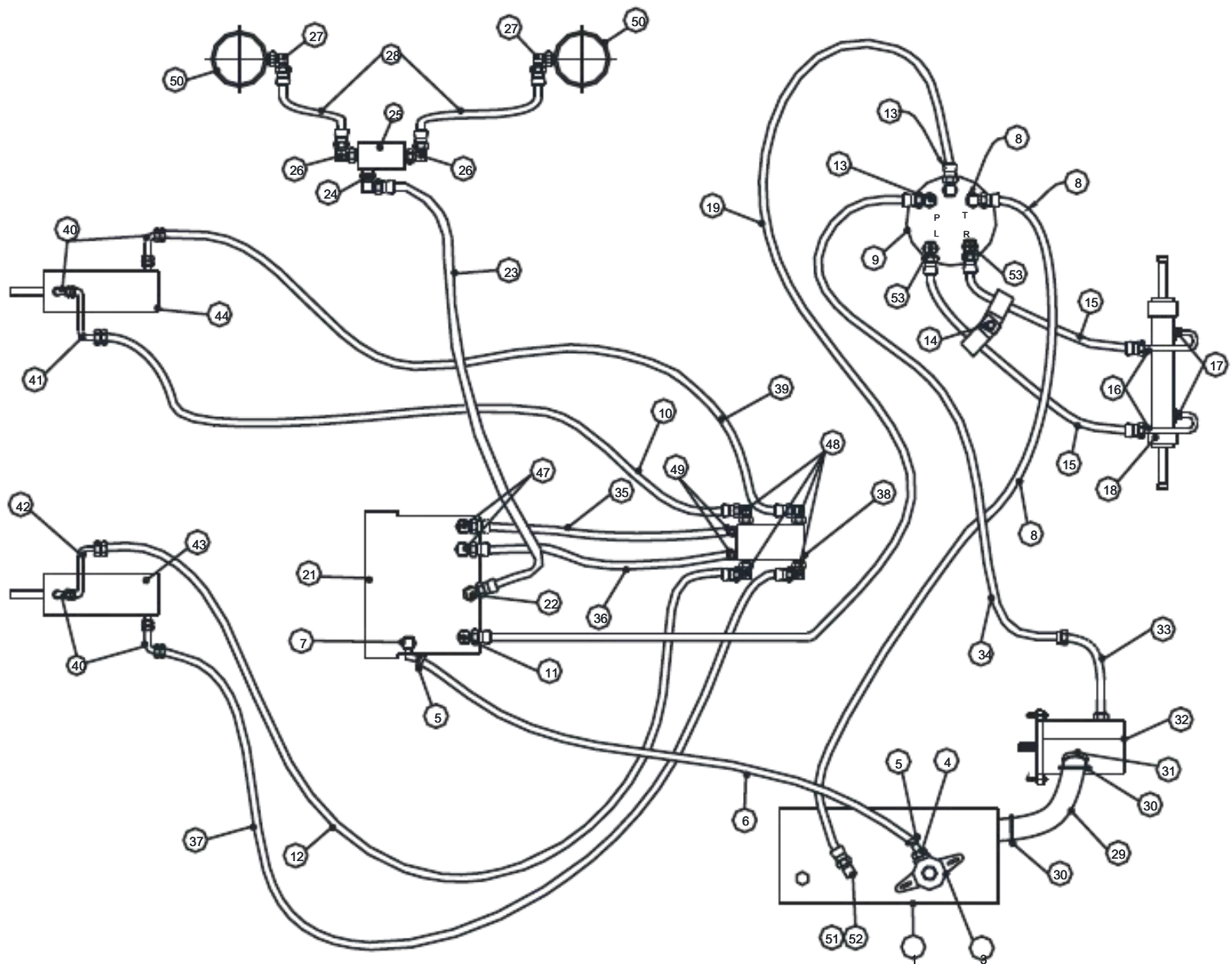
ITEM NO.	PART NO.	DESCRIPTION	QTY.	REMARKS
39	MH 13116	FORK CARRIAGE ASSLY FOR DV 15/25	1	
	MH 13109	FORK CARRIAGE WELDT FOR DV 15/30	1	
	MH 12381	FORK CARRIAGE ASSLY FOR DV 30 SINGLE TYRE	1	
	MH 12351	FORK CARRIAGE WELDT FOR DV 30 SINGLE TYRE	1	
	MH 12382	FORK CARRIAGE WELDT FOR DV 30 DUAL TYRE	1	
	MH 12352	FORK CARRIAGE WELDT FOR DV 30 DUAL TYRE	1	
40	MH 060313900	EXTERNAL SNAP RING	8	
	MH 504562101	WEAR PLUG	8	
	MH 870001754	INTEGRAL BEARING	8	
	MH 014939900	HEX. JAM NUT	8	
	MH 870000904	SET SCREW	8	
41	MH 12714	HOSE SHEVE RING	1	
42	MH 40680	90° ELBOW	1	



**HYDRAULIC CIRCUIT DIAGRAM (HVM)
(40387)**

HYDRAULIC CIRCUIT DIAGRAM (HVM) (40387)

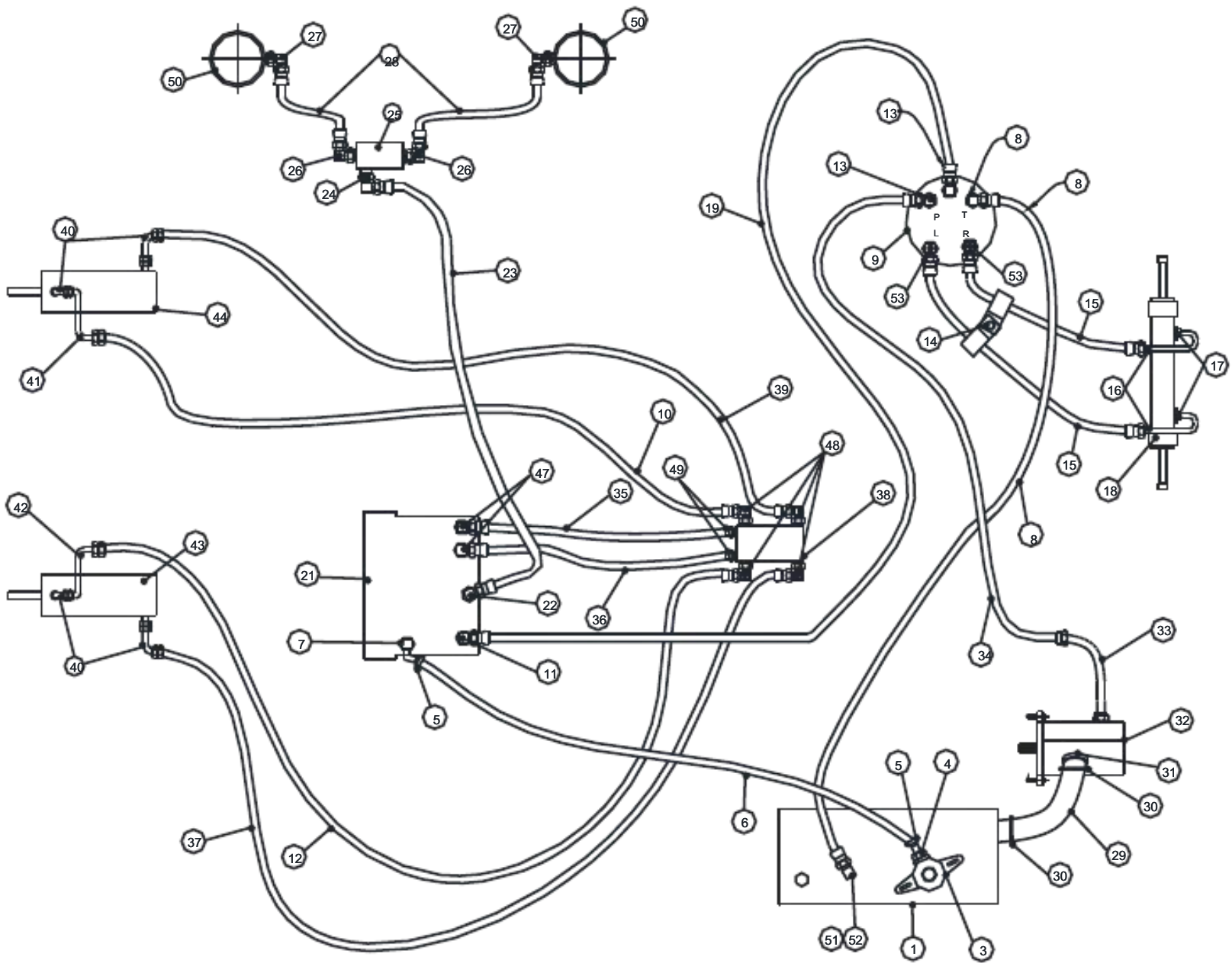
ITEM NO.	PART NO.	DESCRIPTION	QTY.	REMARKS
1	MH 40482	HYD. TANK COVER ASSEMBLY	1	
2	MH40824	SWIVEL ELBOW	1	
3	MH14886	RETURN LINE FILTER	1	
4	MH40672	STRAIGHT FITTING	1	
5	MH44Z12D8	HOSE CLIP	2	
6	MH785756602	HYDRAULIC BARE HOSE (SIZE 1")	1	
7	MH41099	90° BARBED ELBOW	1	
8	MH40829	HOSE	1	
9	MH16476	STEERING CONTROL UNIT (SCU)	1	
10	MH40694	HOSE (LG 500 mm)	1	
11	MH40680	90° ELBOW	1	
12	MH40695	HOSE (LG 1290 mm)	1	
13	MH40821	STRAIGHT ADAPTOR	2	
14	MH11672	STRAIGHT HOSE CLAMP BRACKET	1	
15	MH40696	HOSE	2	
16	MH40968	TRAIL AXEL HYD. TUBE	2	
17	MH40689	STRAIGHT ADAPTOR	2	
18	MH11286	STEERING CYLINDER ASSEMBLY	1	
19	MH40831	HOSE	1	
20			-	
21	MH 42003	CONTROL VALVE, 2-SPOOL (DOWTY)	1	
22	MH 41097	90° ELBOW	1	



**HYDRAULIC CIRCUIT DIAGRAM (HVM)
(40387)**

HYDRAULIC CIRCUIT DIAGRAM (HVM) (40387)

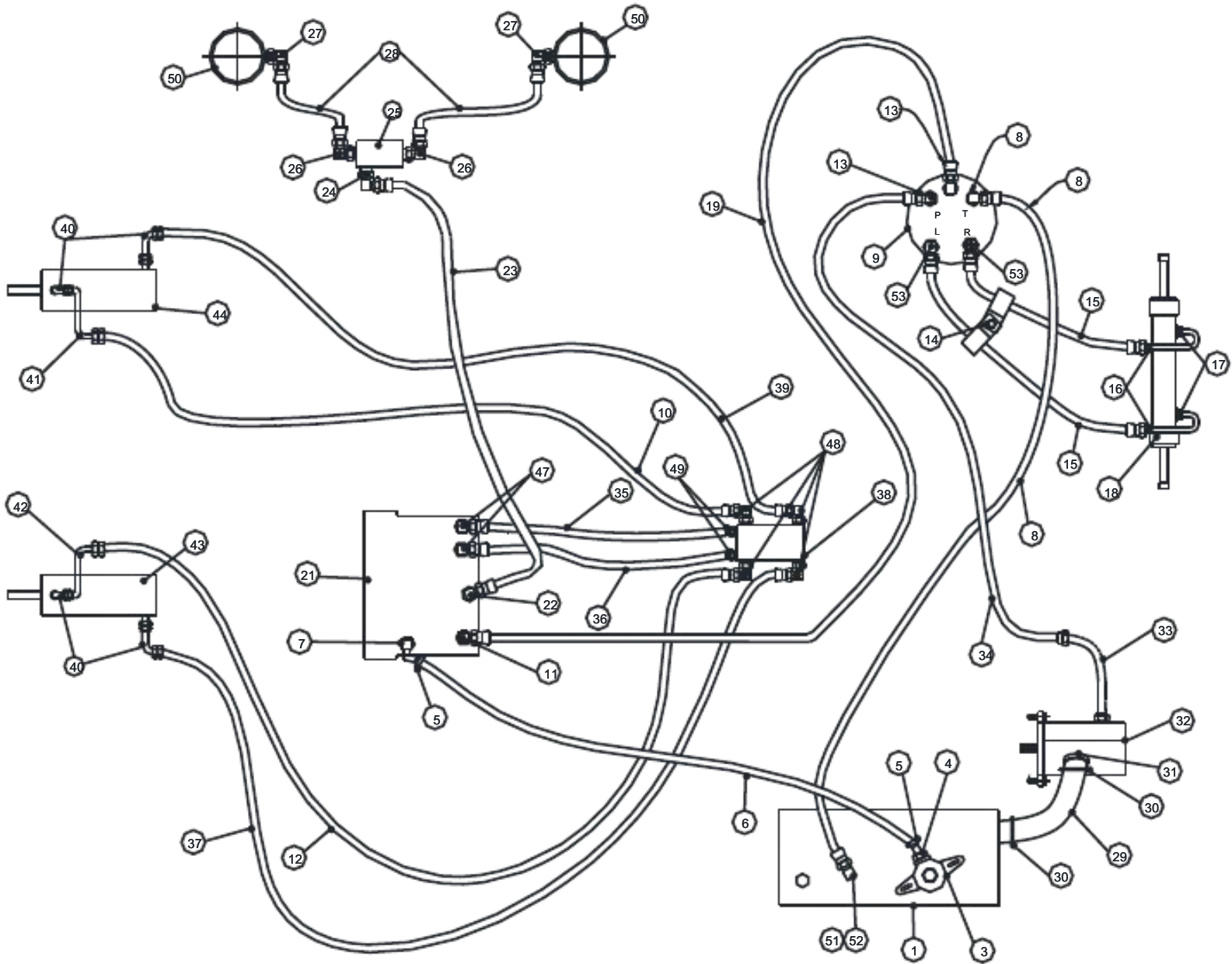
ITEM NO.	PART NO.	DESCRIPTION	QTY.	REMARKS
23	MH 40701	HP HOSE (LG 1040 mm)	1	
24	MH 40680	90° ELBOW	1	
25	MH 12319	MANIFOLD BLOCK	1	
26	MH 721552700	90° ELBOW	2	
27	MH 40683	90° ELBOW	2	
28	MH 40698	HOSE (LG 500 mm)	2	
29	MH 785756605	HOSE 1 1/2" ID	1	
30	MH 44Z12D11	HOSE CLIP	2	
31	MH 16908	FLANGE TYPE BARGED ADAPTOR	1	
32	MH 16178	HYD. PUMP	1	
33	MH 40674	`L' BEND FITTING	1	
34	MH 40830	HOSE	1	
35	MH 42218	HOSE ASSLY.	1	
36	MH 42218	HOSE ASSLY.	1	
37	MH 40971	HOSE 3/8" ID & 1290 LG	1	
38	MH 785756500	JUNCTION BOX	1	
39	MH 40699	HOSE (LG 460 mm)	1	
40	MH 40678	90° ELBOW	4	
41	MH 40970	TUBE RH	1	
42	MH40969	TUBE LH	1	
43	MH 18274	TILT CYLINDER LH	1	
44	MH 18274	TILT CYLINDER RH	1	



**HYDRAULIC CIRCUIT DIAGRAM (HVM)
(40387)**

HYDRAULIC CIRCUIT DIAGRAM (HVM) (40387)

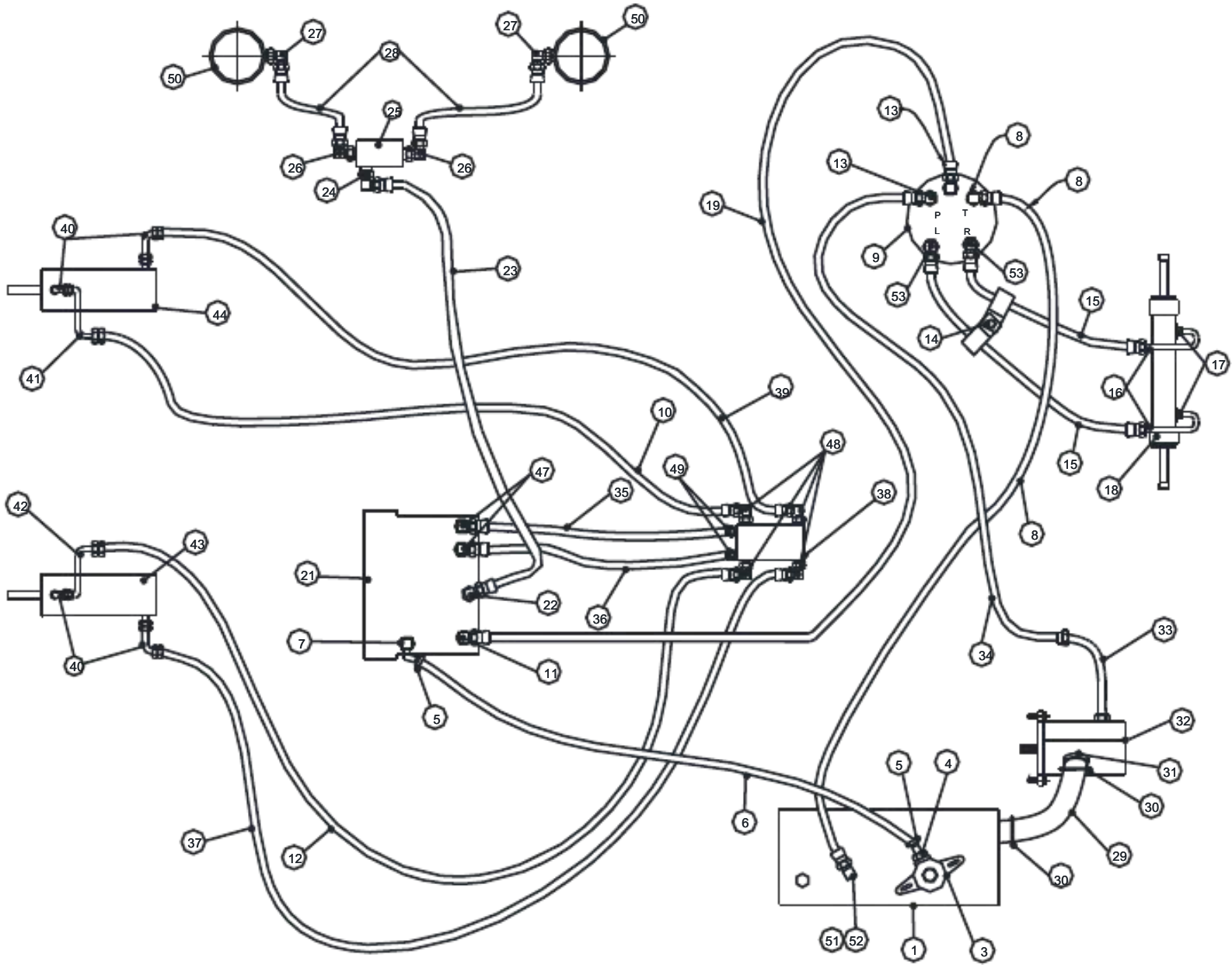
ITEM NO.	PART NO.	DESCRIPTION	QTY.	REMARKS
45				
46				
47	MH 41098	90° ELBOW	2	
48	MH 40684	90° ELBOW	4	
49	MH 40689	STRAGHT ADAPTOR	2	
50	MH 16206	CYLINDER	2	
51	MH 40828	90° ELBOW	1	
52	MH 40984	3/8 BSPT ELBOW	1	
53	MH 40822	90° ELBOW	2	



**HYDRAULIC SYSTEM (HVM)
(MH 40387)**

**HYDRAULIC SYSTEM (HVM)
(MH 40387)**

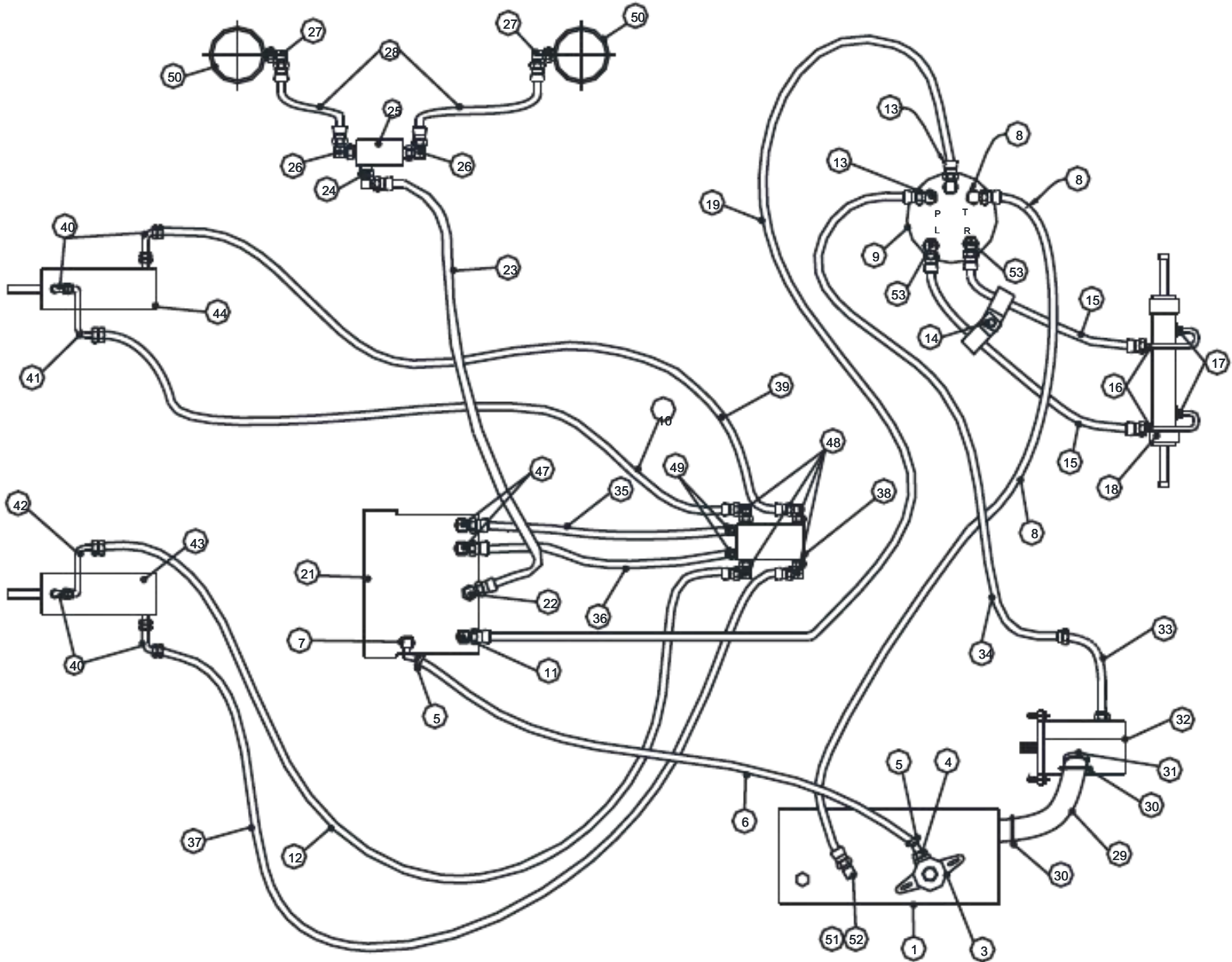
ITEM NO.	PART NO.	DESCRIPTION	QTY.	REMARKS
1	MH 40482	HYD. TANK COVER ASSEMBLY	1	
2	MH40824	SWIVEL ELBOW	1	
3	MH14886	RETURN LINE FILTER	1	
4	MH40672	STRAIGHT FITTING	1	
5	MH44Z12D8	HOSE CLIP	2	
6	MH785756602	HYDRAULIC BARE HOSE (SIZE 1")	1	
7	MH41099	90° BARBED ELBOW	1	
8	MH40829	HOSE	1	
9	MH16476	STEERING CONTROL UNIT (SCU)	1	
10	MH40694	HOSE (LG 500 mm)	1	
11	MH40680	90° ELBOW	1	
12	MH40695	HOSE (LG 1290 mm)	1	
13	MH40821	STRAIGHT ADAPTOR	2	
14	MH11672	STRAIGHT HOSE CLAMP BRACKET	1	
15	MH40696	HOSE	2	
16	MH40968	TRAIL AXEL HYD. TUBE	2	
17	MH40689	STRAIGHT ADAPTOR	2	
18	MH11286	STEERING CYLINDER ASSEMBLY	1	
19	MH40831	HOSE	1	
20			-	
21	MH 42003	CONTROL VALVE, 2-SPOOL (DOWTY)	1	
22	MH 41097	90° ELBOW	1	



**HYDRAULIC SYSTEM (HVM)
(MH 40387)**

**HYDRAULIC SYSTEM (HVM)
(MH 40387)**

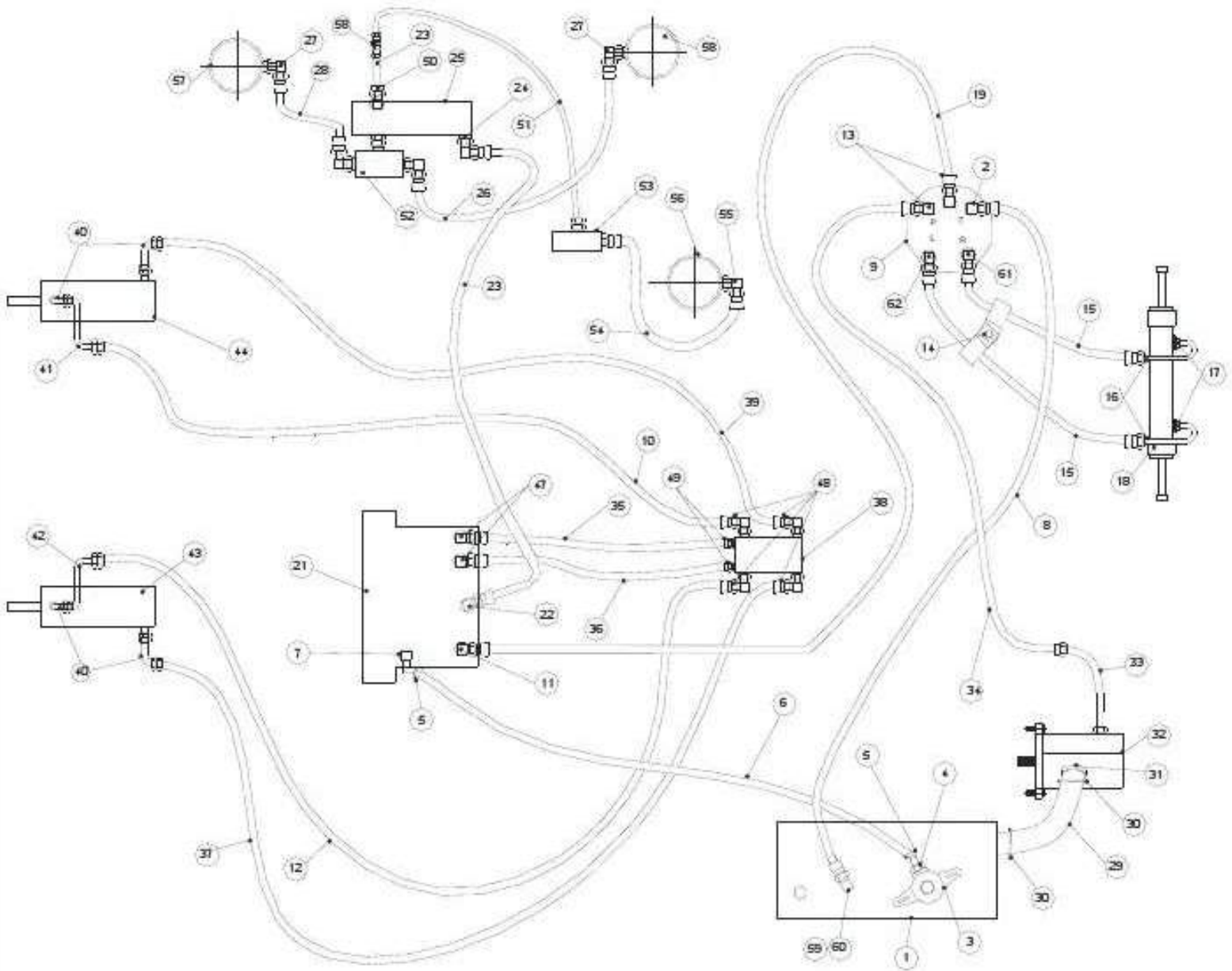
ITEM NO.	PART NO.	DESCRIPTION	QTY.	REMARKS
23	MH 40701	HP HOSE (LG 1040 mm)	1	
24	MH 40680	90° ELBOW	1	
25	MH 12319	MANIFOLD BLOCK	1	
26	MH 721552700	90° ELBOW	2	
27	MH 40683	90° ELBOW	2	
28	MH 40698	HOSE (LG 500 mm)	2	
29	MH 785756605	HOSE 1 1/2" ID	1	
30	MH 44Z12D11	HOSE CLIP	2	
31	MH 16908	FLANGE TYPE BARGED ADAPTOR	1	
32	MH 16178	HYD. PUMP	1	
33	MH 40674	'L' BEND FITTING	1	
34	MH 40830	HOSE	1	
35	MH 42218	HOSE ASSLY.	1	
36	MH 42218	HOSE ASSLY.	1	
37	MH 40971	HOSE 3/8" ID & 1290 LG	1	
38	MH 785756500	JUNCTION BOX	1	
39	MH 40699	HOSE (LG 460 mm)	1	
40	MH 40678	90° ELBOW	4	
41	MH 40970	TUBE RH	1	
42	MH40969	TUBE LH	1	
43	MH 18274	TILT CYLINDER LH	1	
44	MH 18274	TILT CYLINDER RH	1	



**HYDRAULIC SYSTEM (HVM)
(MH 40387)**

**HYDRAULIC SYSTEM (HVM)
(MH 40387)**

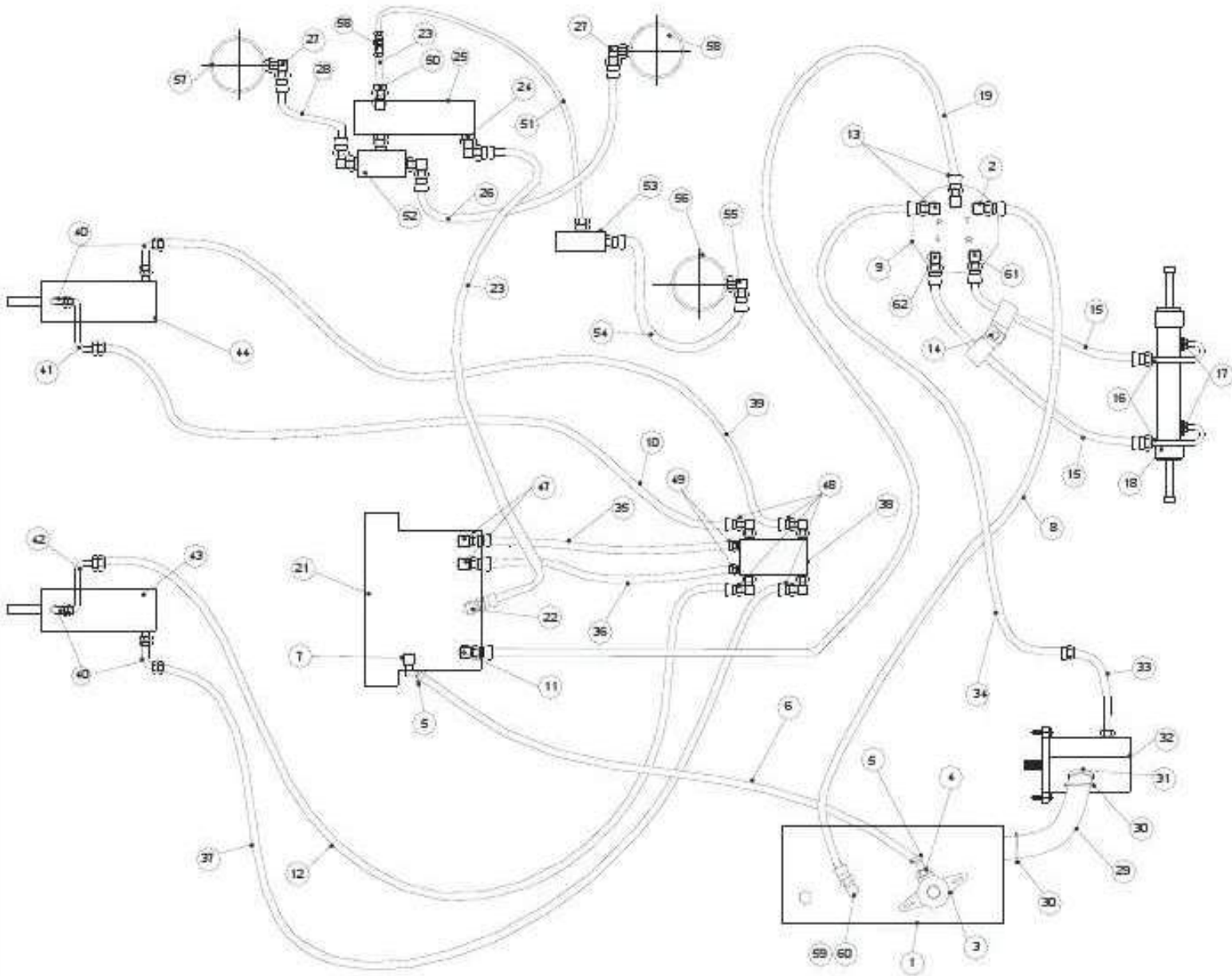
ITEM NO.	PART NO.	DESCRIPTION	QTY.	REMARKS
45				
46				
47	MH 41098	90° ELBOW	2	
48	MH 40684	90° ELBOW	4	
49	MH 40689	STRAGHT ADAPTOR	2	
50	MH 16206	CYLINDER	2	
51	MH 40828	90° ELBOW	1	
52	MH 40984	3/8 BSPT ELBOW	1	
53	MH 40822	90° ELBOW	2	



**HYDRAULIC SYSTEM (HVT)
(MH 40840)**

**HYDRAULIC SYSTEM (HVT)
(MH 40840)**

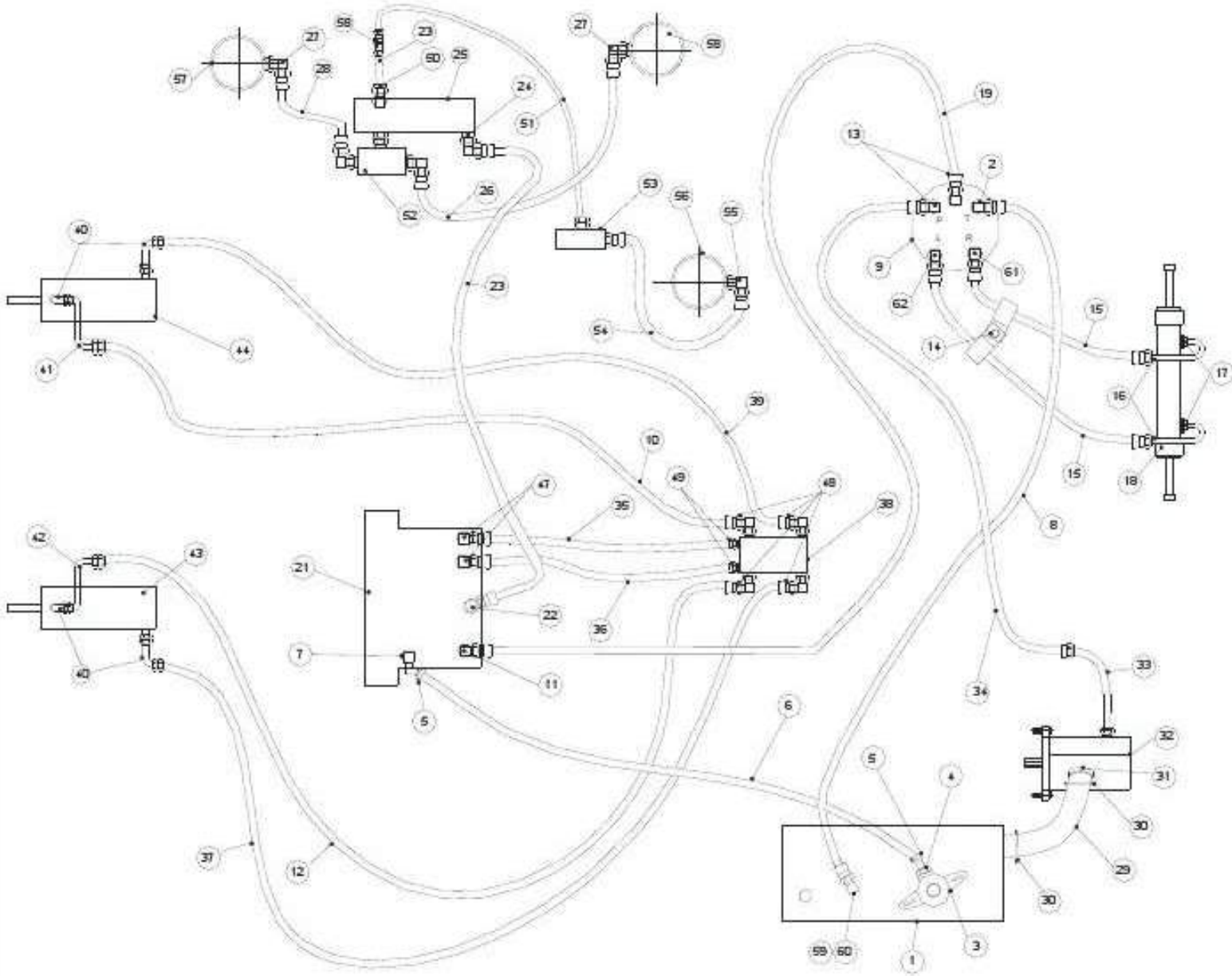
ITEM NO.	PART NO.	DESCRIPTION	QTY.	REMARKS
1	MH 40482	HYD. TANK COVER ASSEMBLY	1	
2	MH40824	SWIVEL ELBOW	1	
3	MH14886	RETURN LINE FILTER	1	
4	MH40672	STRAIGHT FITTING	1	
5	MH44Z12D8	HOSE CLIP	2	
6	MH785756602	HYDRAULIC BARE HOSE (SIZE 1")	1	
7	MH41099	90° BARBED ELBOW	1	
8	MH40829	HOSE	1	
9	MH16476	STEERING CONTROL UNIT (SCU)	1	
10	MH40694	HOSE (LG 500 mm)	1	
11	MH40680	90° ELBOW	1	
12	MH40695	HOSE (LG 1290 mm)	1	
13	MH40821	STRAIGHT ADAPTOR	2	
14	MH11672	STRAIGHT HOSE CLAMP BRACKET	1	
15	MH40696	HOSE	2	
16	MH40968	TRAIL AXEL HYD. TUBE	2	
17	MH40689	STRAIGHT ADAPTOR	2	
18	MH11286	STEERING CYLINDER ASSEMBLY	1	
19	MH40831	HOSE	1	
20			-	
21	MH 42003	CONTROL VALVE, 2-SPOOL (DOWTY)	1	
22	MH 41097	90° ELBOW	1	



**HYDRAULIC SYSTEM (HVT)
(MH 40840)**

**HYDRAULIC SYSTEM (HVT)
(MH 40840)**

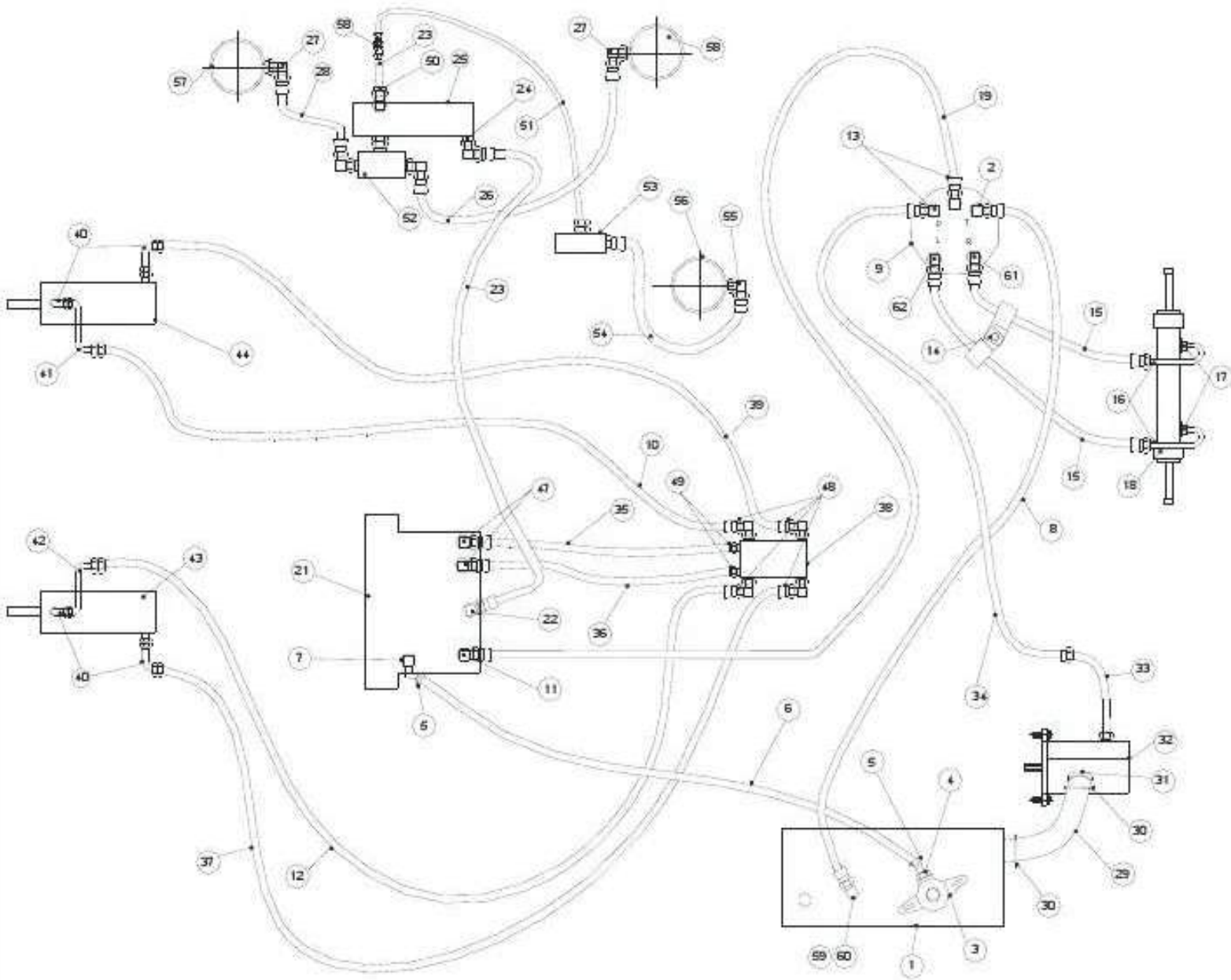
ITEM NO.	PART NO.	DESCRIPTION	QTY.	REMARKS
23	MH 40701	HP HOSE (LG 1040 mm)	2	
24	MH 40680	90° ELBOW	1	
25	MH 12319	MANIFOLD BLOCK	1	
26	MH 40703	HYD. HOSE ASSLY.	1	
27	MH 40683	90° ELBOW	2	
28	MH 40698	BEND HOSE NIPPLE 1/2" ID	1	
29	MH 785756605	HOSE 1 1/2" ID	1	
30	MH 44Z12D11	HOSE CLIP	2	
31	MH 16908	FLANGE TYPE BARGED ADAPTOR	1	
32	MH 16178	HYD. PUMP	1	
33	MH 40674	'L' BEND FITTING	1	
34	MH 40830	HOSE	1	
35	MH 42218	HOSE ASSLY.	1	
36	MH 42218	HOSE ASSLY.	1	
37	MH 40971	HOSE 3/8" ID & 1290 LG	1	
38	MH 785756500	JUNCTION BOX	1	
39	MH 40699	HOSE (LG 460 mm)	1	
40	MH 40678	90° ELBOW	4	
41	MH 40970	TUBE RH	1	
42	MH40969	TUBE LH	1	
43	MH 18274	TILT CYLINDER LH	1	
44	MH 18274	TILT CYLINDER RH	1	



**HYDRAULIC SYSTEM (HVT)
(MH 40840)**

**HYDRAULIC SYSTEM (HVT)
(MH 40840)**

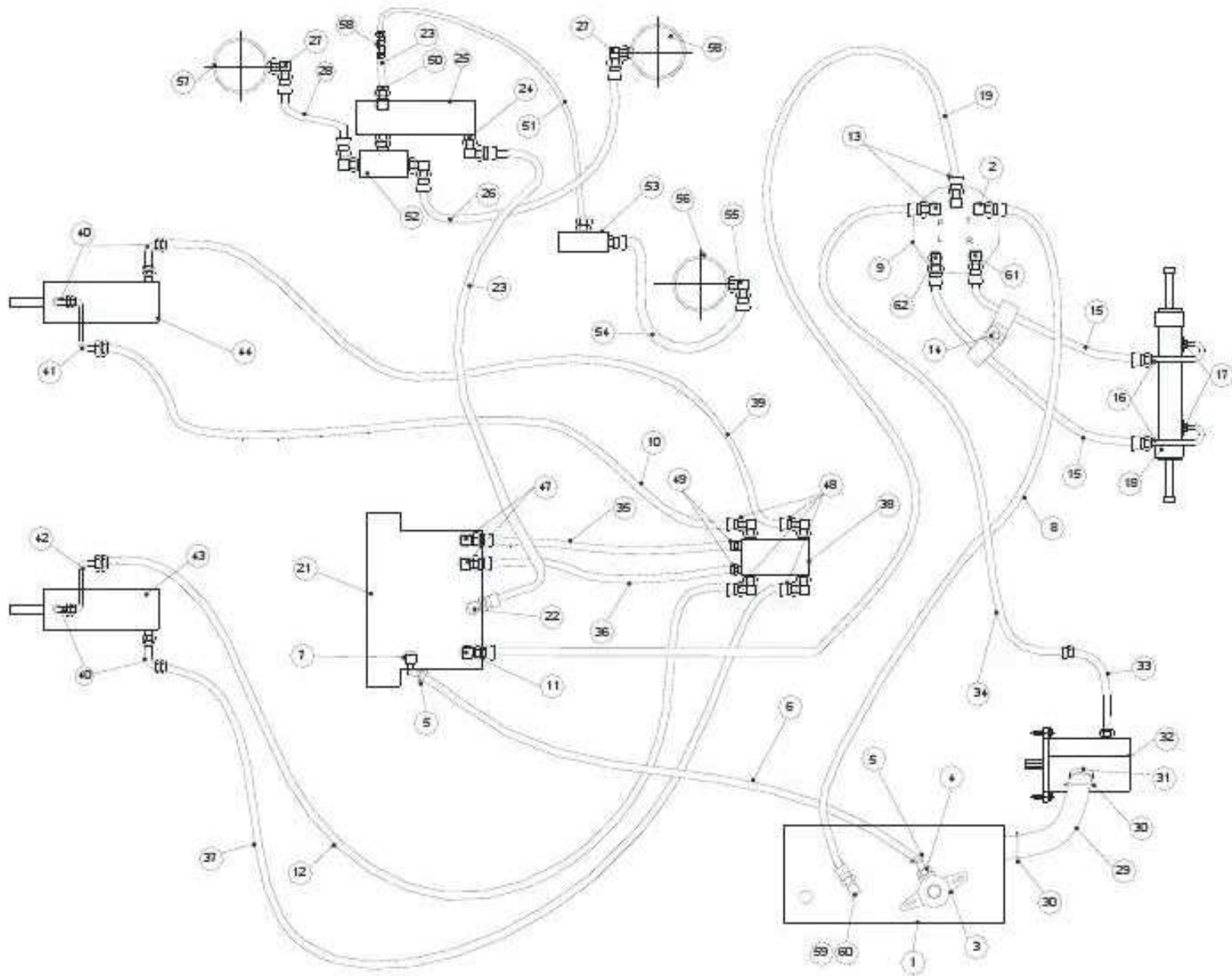
ITEM NO.	PART NO.	DESCRIPTION	QTY.	REMARKS
45				
46				
47	MH 41098	90° ELBOW	2	
48	MH 40684	90° ELBOW	4	
49	MH 40689	STRAGHT ADAPTOR	2	
50	MH 40688	STRAGHT ADAPTOR	1	
51	MH 40697	HOSE 2015MM LG	1	
52	MH 40685	TEE JOINT	1	
53	MH 40675	BULKHEAD ELBOW	1	
54	MH40704	HOSE 5/8" ID x600 MM LG	1	
55	MH40680	90 ELBOW	1	
56	MH16438	CENTRAL CYL ASSEMBLY	1	
57	MH16206	SIDE CYLINDER	2	
58	MH40692	BULK STRAIGHT COUPLING	1	
59	MH40828	90° ELBOW	1	
60	MH40984	3/8" BSPT FITTING	1	
61	MH40822	90° ELBOW	2	



HYDRAULIC CIRCUIT DIAGRAM (HVT) (40840)

HYDRAULIC CIRCUIT DIAGRAM (HVT) (40840)

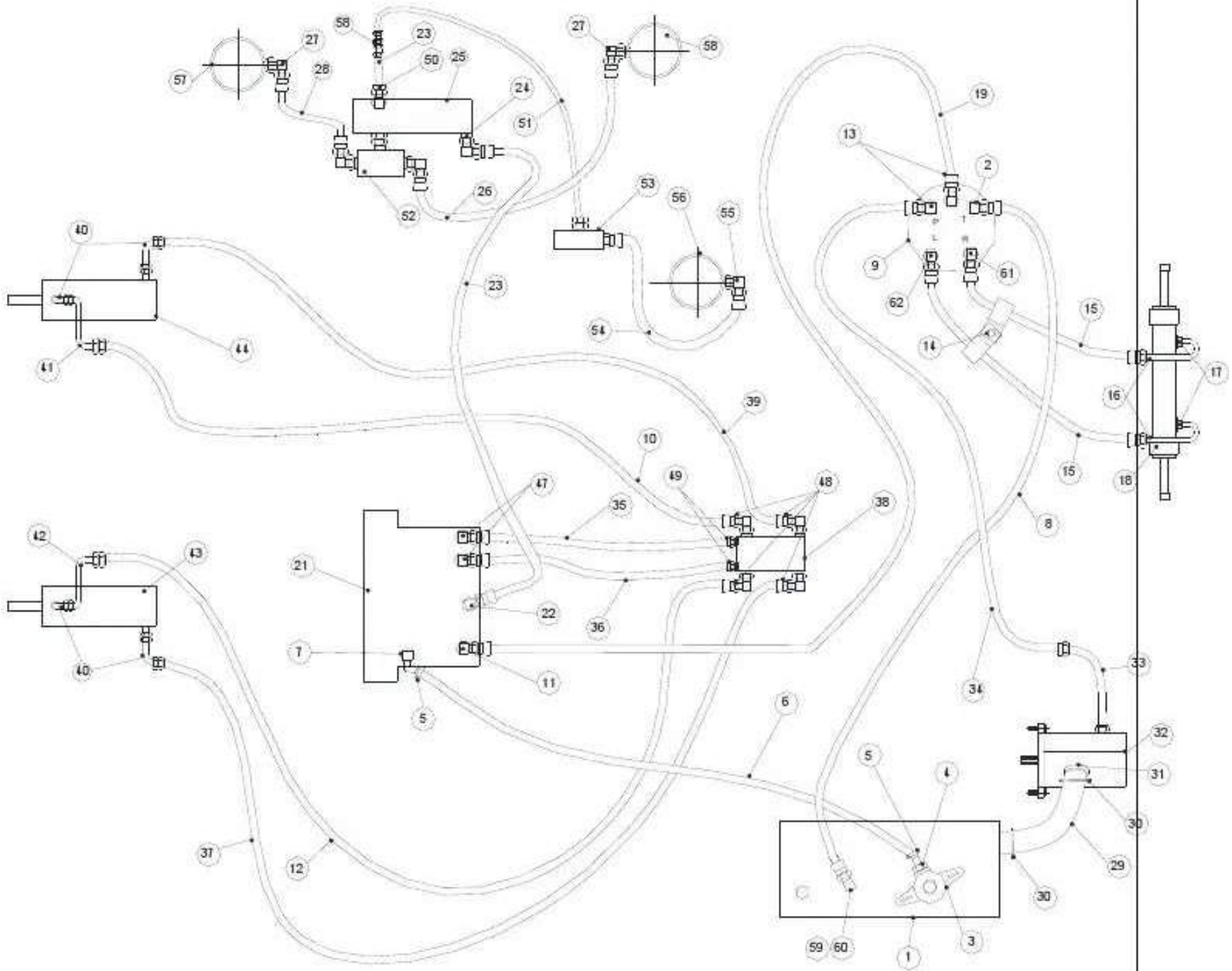
ITEM NO.	PART NO.	DESCRIPTION	QTY.	REMARKS
1	MH 40482	HYD. TANK COVER ASSEMBLY	1	
2	MH40824	SWIVEL ELBOW	1	
3	MH14886	RETURN LINE FILTER	1	
4	MH40672	STRAIGHT FITTING	1	
5	MH44Z12D8	HOSE CLIP	2	
6	MH785756602	HYDRAULIC BARE HOSE (SIZE 1")	1	
7	MH41099	90° BARBED ELBOW	1	
8	MH40829	HOSE	1	
9	MH16476	STEERING CONTROL UNIT (SCU)	1	
10	MH40694	HOSE (LG 500 mm)	1	
11	MH40680	90° ELBOW	1	
12	MH40695	HOSE (LG 1290 mm)	1	
13	MH40821	STRAIGHT ADAPTOR	2	
14	MH11672	STRAIGHT HOSE CLAMP BRACKET	1	
15	MH40696	HOSE	2	
16	MH40968	TRAIL AXEL HYD. TUBE	2	
17	MH40689	STRAIGHT ADAPTOR	2	
18	MH11286	STEERING CYLINDER ASSEMBLY	1	
19	MH40831	HOSE	1	
20			-	
21	MH 42003	CONTROL VALVE, 2-SPOOL (DOWTY)	1	
22	MH 41097	90° ELBOW	1	



HYDRAULIC CIRCUIT DIAGRAM (HVT) (40840)

HYDRAULIC CIRCUIT DIAGRAM (HVT) (40840)

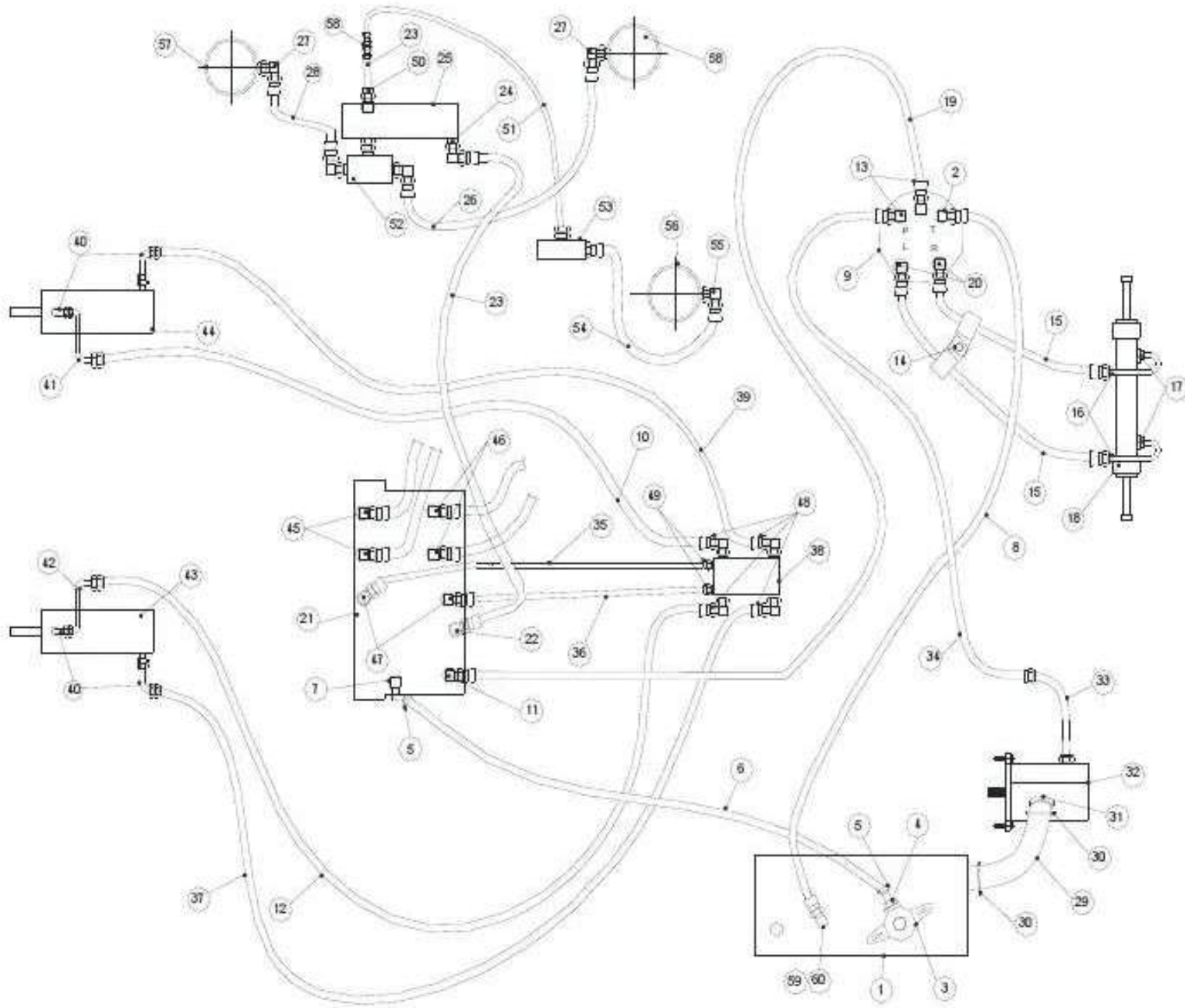
ITEM NO.	PART NO.	DESCRIPTION	QTY.	REMARKS
23	MH 40701	HP HOSE (LG 1040 mm)	2	
24	MH 40680	90° ELBOW	1	
25	MH 12319	MANIFOLD BLOCK	1	
26	MH 40703	HYD. HOSE ASSLY.	1	
27	MH 40683	90° ELBOW	2	
28	MH 40698	BEND HOSE NIPPLE 1/2" ID	1	
29	MH 785756605	HOSE 1 1/2" ID	1	
30	MH 44Z12D11	HOSE CLIP	2	
31	MH 16908	FLANGE TYPE BARGED ADAPTOR	1	
32	MH 16178	HYD. PUMP	1	
33	MH 40674	'L' BEND FITTING	1	
34	MH 40830	HOSE	1	
35	MH 42218	HOSE ASSLY.	1	
36	MH 42218	HOSE ASSLY.	1	
37	MH 40971	HOSE 3/8" ID & 1290 LG	1	
38	MH 785756500	JUNCTION BOX	1	
39	MH 40699	HOSE (LG 460 mm)	1	
40	MH 40678	90° ELBOW	4	
41	MH 40970	TUBE RH	1	
42	MH40969	TUBE LH	1	
43	MH 18274	TILT CYLINDER LH	1	
44	MH 18274	TILT CYLINDER RH	1	



**HYDRAULIC CIRCUIT DIAGRAM (HVT)
(40840)**

HYDRAULIC CIRCUIT DIAGRAM (HVT) (40840)

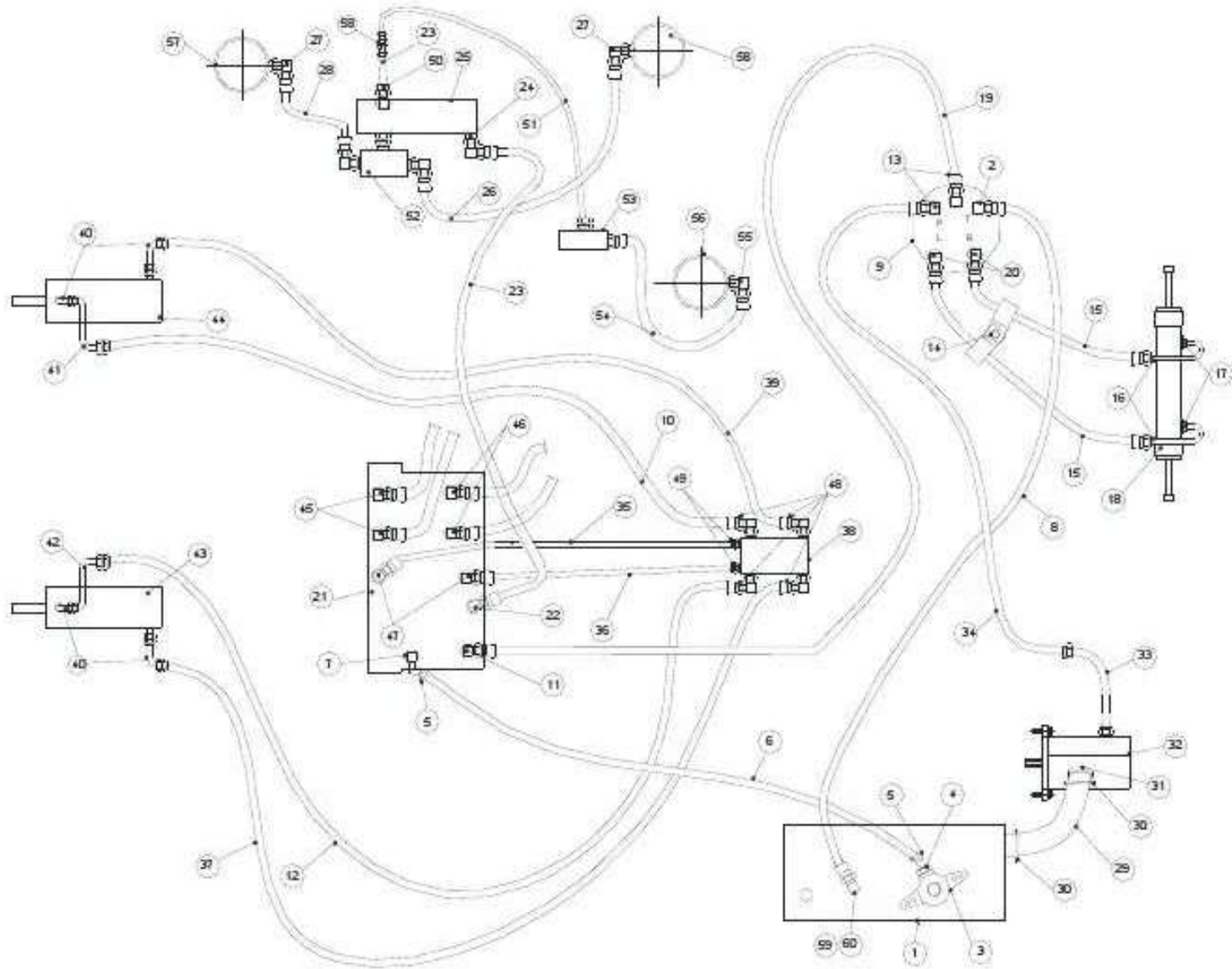
ITEM NO.	PART NO.	DESCRIPTION	QTY.	REMARKS
45				
46				
47	MH 41098	90° ELBOW	2	
48	MH 40684	90° ELBOW	4	
49	MH 40689	STRAGHT ADAPTOR	2	
50	MH 40688	STRAGHT ADAPTOR	1	
51	MH 40697	HOSE 2015MM LG	1	
52	MH 40685	TEE JOINT	1	
53	MH 40675	BULKHEAD ELBOW	1	
54	MH40704	HOSE 5/8" ID x600 MM LG	1	
55	MH40680	90 ELBOW	1	
56	MH16438	CENTRAL CYL ASSEMBLY	1	
57	MH16206	SIDE CYLINDER	2	
58	MH40692	BULK STRAIGHT COUPLING	1	
59	MH40828	90° ELBOW	1	
60	MH40984	3/8" BSPT FITTING	1	
61	MH40822	90° ELBOW	2	



**HYDRAULIC CIRCUIT DIAGRAM (HVT)
FOR 4 SPOOL C/V
(42061)**

**HYDRAULIC CIRCUIT DIAGRAM (HVT)
FOR 4 SPOOL C/V
(42061)**

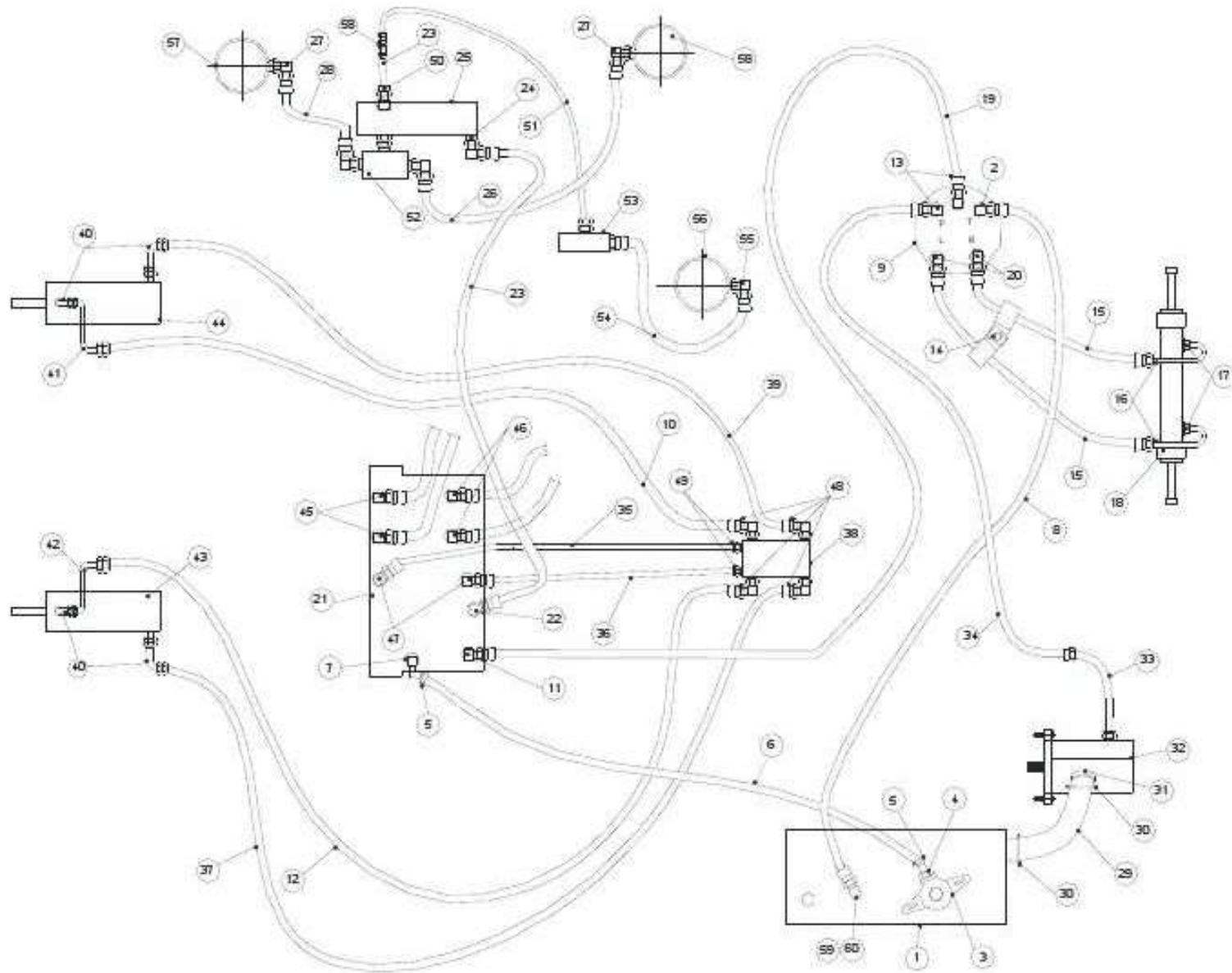
ITEM NO.	PART NO.	DESCRIPTION	QTY.	REMARKS
1	MH 40482	HYD. TANK COVER ASSEMBLY	1	
2	MH40824	SWIVEL ELBOW	1	
3	MH14886	RETURN LINE FILTER	1	
4	MH40672	STRAIGHT FITTING	1	
5	MH44Z12D8	HOSE CLIP	2	
6	MH785756602	HYDRAULIC BARE HOSE (SIZE 1")	1	
7	MH41099	90° BARBED ELBOW	1	
8	MH40829	HOSE	1	
9	MH16476	STEERING CONTROL UNIT (SCU)	1	
10	MH40694	HOSE (LG 500 mm)	1	
11	MH40680	90° ELBOW	1	
12	MH40695	HOSE (LG 1290 mm)	1	
13	MH40821	STRAIGHT ADAPTOR	2	
14	MH11672	STRAIGHT HOSE CLAMP BRACKET	1	
15	MH40696	HOSE	2	
16	MH40968	TRAIL AXEL HYD. TUBE	2	
17	MH40689	STRAIGHT ADAPTOR	2	
18	MH11286	STEERING CYLINDER ASSEMBLY	1	
19	MH40831	HOSE	1	
20	MH40822	90° ELBOW	2	
21	MH 17956	4-SPOOL CONTROL VALVE	1	
22	MH 41097	90° ELBOW	1	



**HYDRAULIC CIRCUIT DIAGRAM (HVT)
FOR 4 SPOOL C/V
(42061)**

**HYDRAULIC CIRCUIT DIAGRAM (HVT)
FOR 4 SPOOL C/V
(42061)**

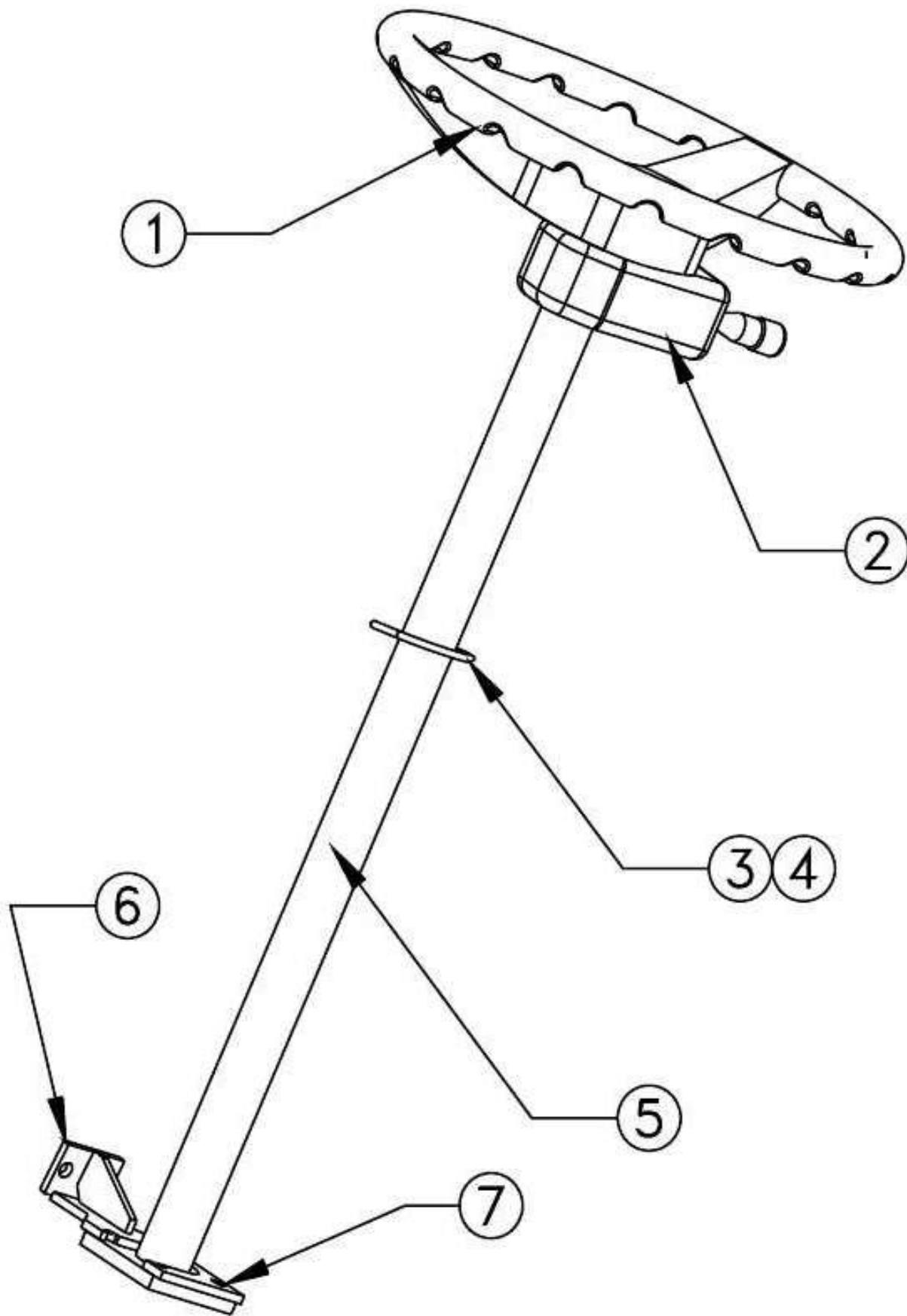
ITEM NO.	PART NO.	DESCRIPTION	QTY.	REMARKS
23	MH 40701	HP HOSE (LG 1040 mm)	2	
24	MH 40680	90° ELBOW	1	
25	MH 12319	MANIFOLD BLOCK	1	
26	MH 40703	HYD. HOSE ASSLY.	1	
27	MH 40683	90° ELBOW	2	
28	MH 40698	BEND HOSE NIPPLE 1/2" ID	1	
29	MH 785756605	HOSE 1 1/2" ID	1	
30	MH 44Z12D11	HOSE CLIP	2	
31	MH 16908	FLANGE TYPE BARGED ADAPTOR	1	
32	MH 16178	HYD. PUMP	1	
33	MH 40674	`L' BEND FITTING	1	
34	MH 40830	HOSE	1	
35	MH 42218	HOSE ASSLY.	1	
36	MH 42218	HOSE ASSLY.	1	
37	MH 40971	HOSE 3/8" ID & 1290 LG	1	
38	MH 785756500	JUNCTION BOX	1	
39	MH 40699	HOSE (LG 460 mm)	1	
40	MH 40678	90° ELBOW	4	
41	MH 40970	TUBE RH	1	
42	MH40969	TUBE LH	1	
43	MH 18274	TILT CYLINDER LH	1	
44	MH 18274	TILT CYLINDER RH	1	



**HYDRAULIC CIRCUIT DIAGRAM (HVT)
FOR 4 SPOOL C/V
(42061)**

**HYDRAULIC CIRCUIT DIAGRAM (HVT)
FOR 4 SPOOL C/V
(42061)**

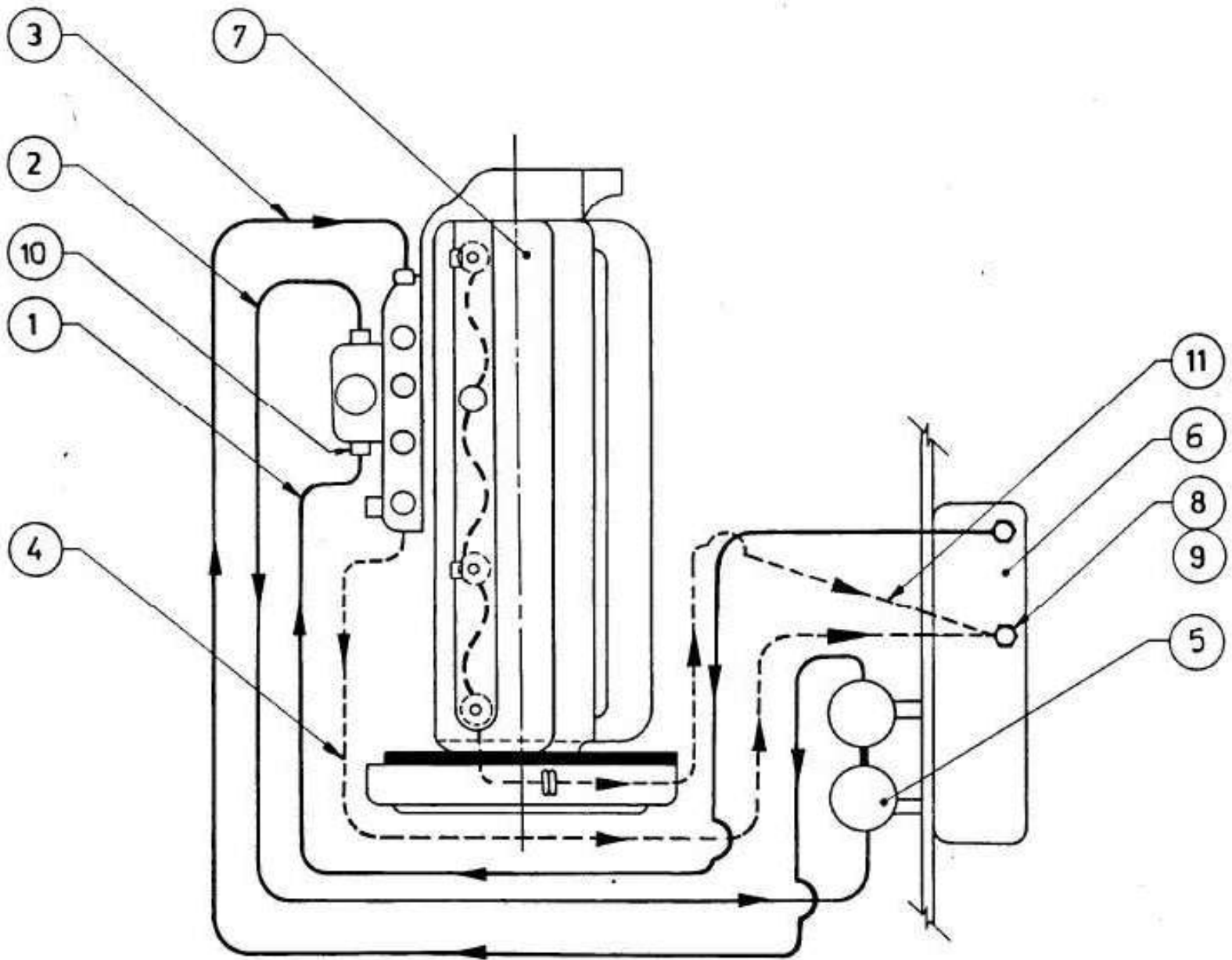
ITEM NO.	PART NO.	DESCRIPTION	QTY.	REMARKS
45	MH785759402	HYD. FITTING 90°	2	
46	MH785757500	HYD. FITTING 90°	2	
47	MH 41098	90° ELBOW	2	
48	MH 40684	90° ELBOW	4	
49	MH 40689	STRAGHT ADAPTOR	2	
50	MH 40688	STRAGHT ADAPTOR	1	
51	MH 40697	HOSE 2015MM LG	1	
52	MH 40685	TEE JOINT	1	
53	MH 40675	BULKHEAD ELBOW	1	
54	MH40704	HOSE 5/8" ID x600 MM LG	1	
55	MH40680	90 ELBOW	1	
56	MH16438	CENTRAL CYL ASSEMBLY	1	
57	MH16206	SIDE CYLINDER	2	
58	MH40692	BULK STRAIGHT COUPLING	1	
59	MH40828	90° ELBOW	1	
60	MH40984	3/8" BSPT FITTING	1	



**STEERING SYSTEM
(MH 7964014000)**

**STEERING SYSTEM
(MH 796401400)**

ITEM NO.	PART NO.	DESCRIPTION	QTY.	REMARKS
1	MH796415029	STEERING WHEEL	1	
2	MH795119154	DIRECTION INDICATOR LEVER	1	
3	MH020184500	RUBBER PAD	1	
4	MH 13920	U - BOLT	1	
5	MH 07286	STEERING COLUMN ASSEMBLY	1	
6	MH 796404019	STEERING MTG. BKT.	1	
7	MH 785372600	SPACER	4	
ITEM NOT SHOWN				
8	MH 992275377	HEX. HEAD SCREW	4	
9	MH 992275376	HEX. HEAD SCREW	2	
10	MH 992761114	HEX. NUT	2	
11	MH 992763014	LOCK NUT	2	
12	MH 992781634	PLAIN WASHER	8	
13	MH 992791535	SPRING WASHER	4	



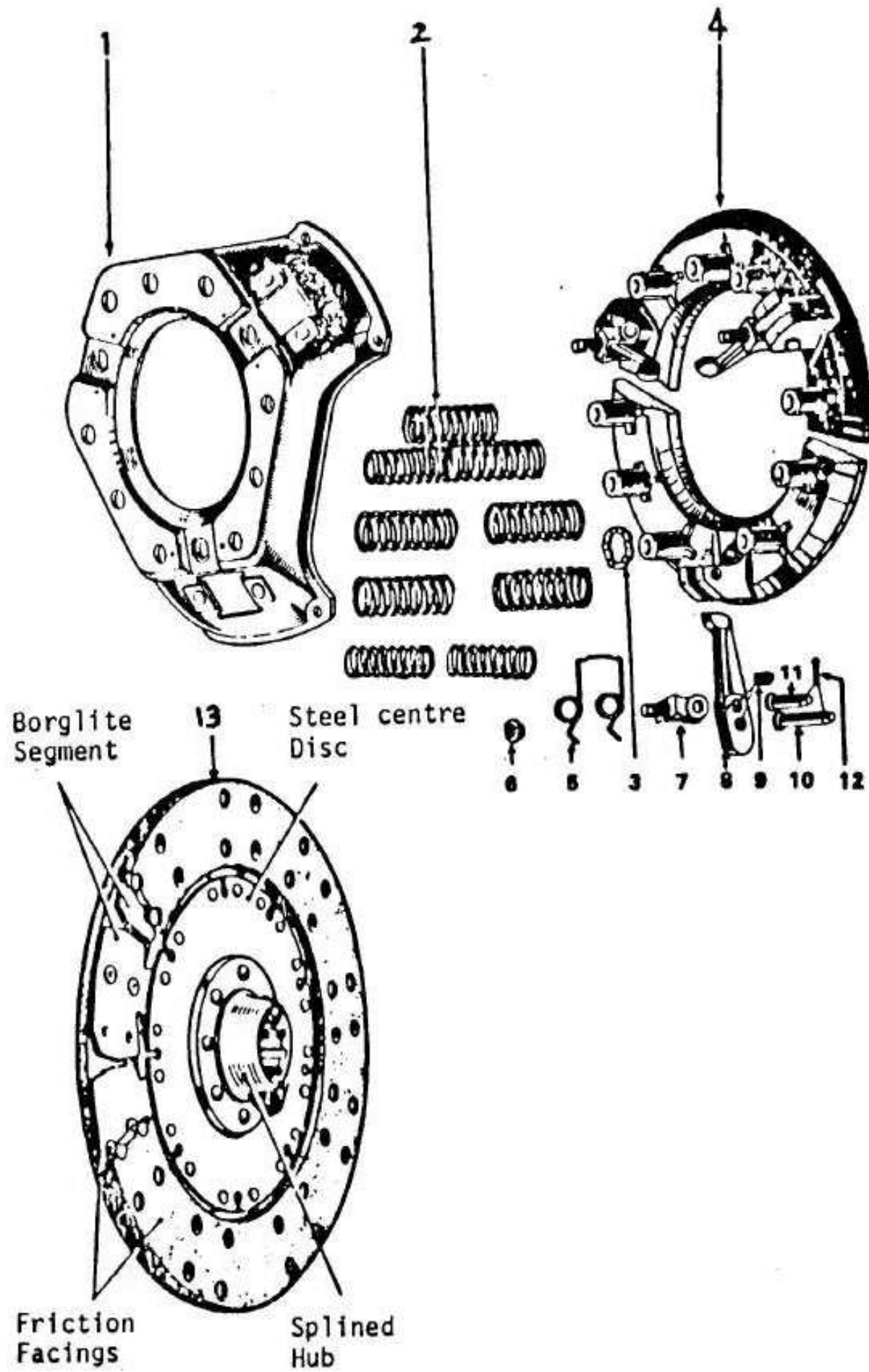
**FUEL LINE DIAGRAM
(SIMPSON S4 ENGI)**

FUEL LINE DIAGRAM (SIMPSON S4 ENGI)

ITEM NO	PART NO	DESCRIPTION	QTY	REMARKS
1	MH785203041	FUEL LINE (TANK TO ENGINE SUCTION)	1	
2	MH785202301	FUEL LINE (ENGINE OUTLET TO FILTER)	1	
3	MH785202301	FUEL LINE (FILTER TO FUEL INJECTOR PUMP)	1	
4	MH785203041	FUEL LINE (OVERFLOW FUEL PUMP TO TANK)	1	
5	MH785216100	DUAL FILTER	1	
	MH785216101	FILTER ELEMENT (PRELIMINARY FILTER)	1	
	MH785216102	FILTER ELEMENT (PAPER ELEMENT)	1	
6	MH11079	FUEL TANK	1	
7	MH785750900	JUNCTION BLOCK WELDMENT	1	
	MH785761700	PLATE	1	
8	MH10187	BANJO CONNECTION	1	
9	MH785200803	WASHER	10	
10	MH785215000	HEX. HOLLOW SCREW	1	
11	MH10209	FUEL LINE (OVERFLOW - INJECTOR TO TANK)	1	

ITEMS NOT SHOWN

ITEM NO	PART NO	DESCRIPTION	QTY	REMARKS
	MH10933	PLUG FOR FUEL FILTER	1	
	MH785252781	PERFORATED	2	
	MH785252701	NYLON BUTTON	2	



CLUTCH ASSEMBLY - 11" DIA

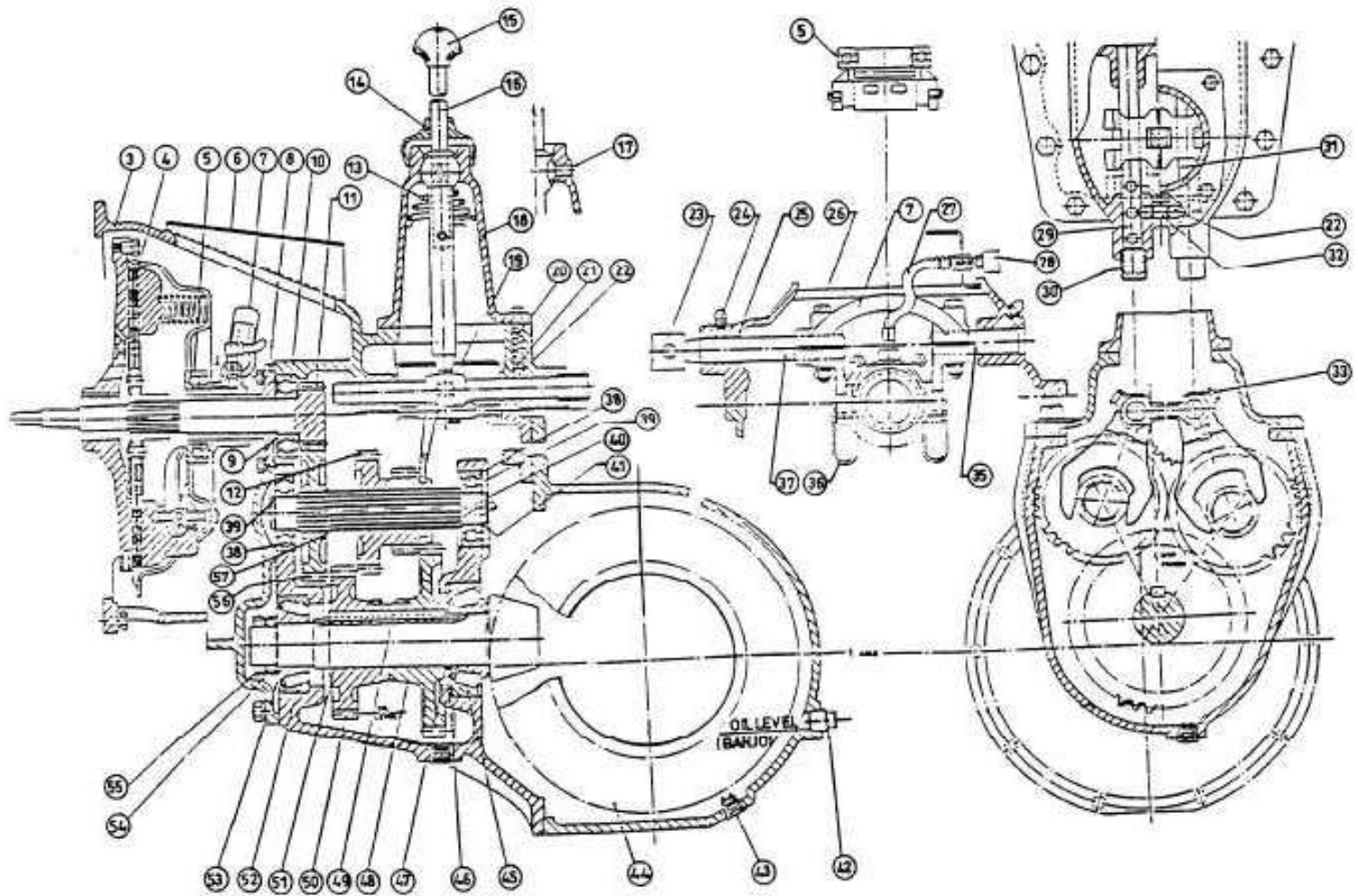
CLUTCH ASSEMBLY

ITEM NO	PART NO	DESCRIPTION	QTY	REMARKS
1	MH785380801	CLUTCH COVER ASSEMBLY	1	
2	MH785380806	THRUST SPRING	9*	
3	MH785380805	SPRING PAD	9	
4	MH785380815	PRESSURE PLATE	1	
5	MH785380807	ANTI-RATTLE SPRING	3*	
6	MH785380809	NUT	3*	
7	MH785380811	RELEASE LEVER SUPPORT	3*	
8	MH785380813	RELEASE LEVER	3*	
9	MH785380814	ROLLER NEEDLE	3*	
10	MH785380812	RELEASE LEVER PIN	3*	
11	MH785380810	PRESSURE PLATE PIN	3*	
12	MH785380808	SPLIT PIN	3*	
13	MH785393300	CLUTCH DISC	1	

	MH785380804	STRAP	3	
	MH785380818	CLAMPING BOLT		
	MH992791525	SPRING WASHER		

*** Repair Kit P. No. 785380850 (individual items not serviced)**

Note: Clutch cover assembly does not include P. NOS. 785380818, 992791525 & 785393300

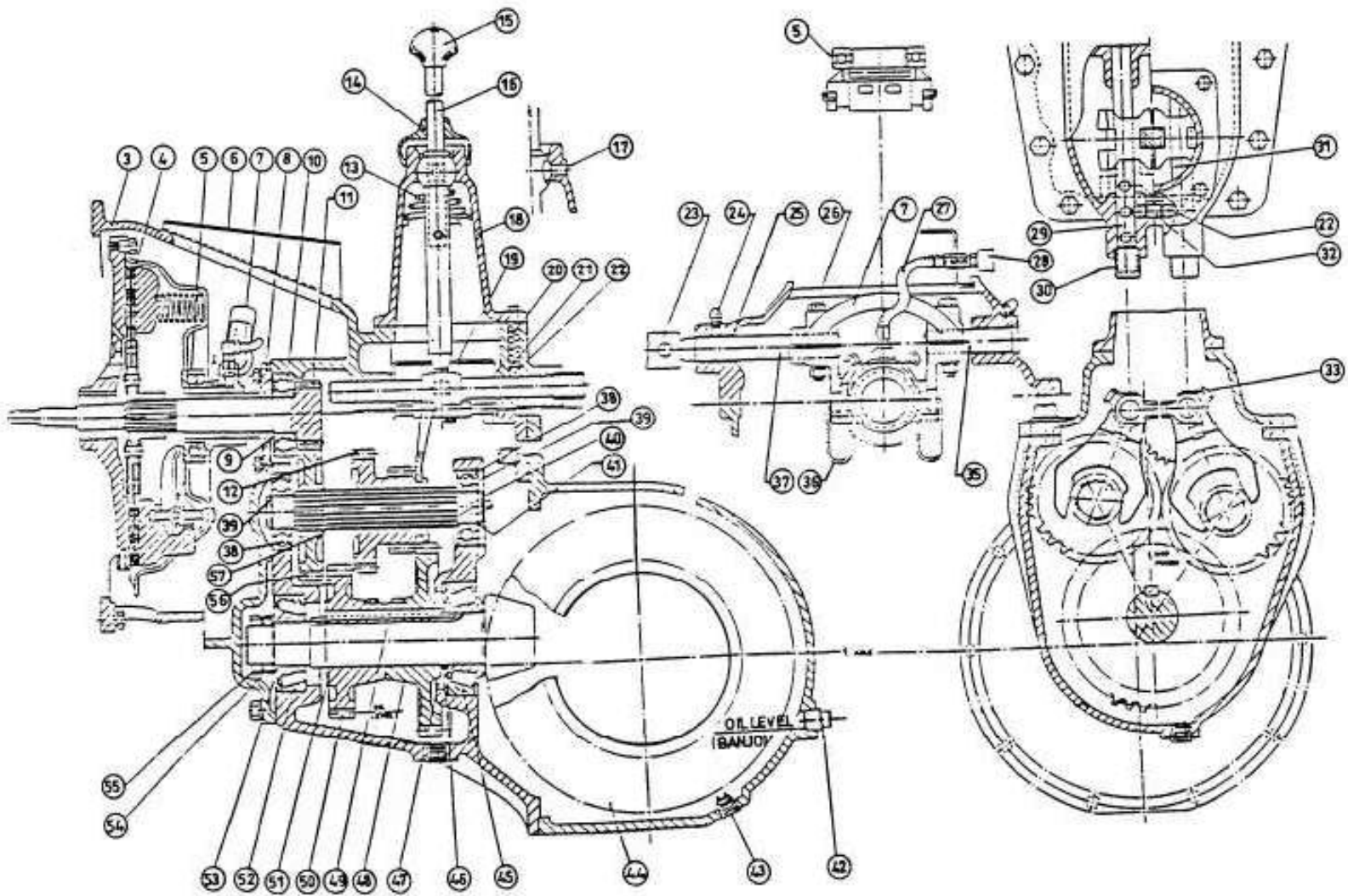


**TRANSMISSION ASSEMBLY
(MH 796458000)**

TRANSMISSION ASSEMBLY (MH 796458000)

ITEM NO	PART NO	DESCRIPTION	QTY	REMARKS
3	MH09028	TRANSMISSION HOUSING ASSLY	1	
	MH03928	TRANSMISSION TOP COVER	1	
4	MH785380801	CLUTCH COVER ASSLY	1	
	MH785393300	CLUTCH DISC	1	
5	MH785226600	SLEEVE	1	
	MH022066500	RELEASE BEARING	1	
6	MH10208	VENT COVER	1	
	MH062151100	HEX. HD. SCREW	4	
	MH015026000	LOCK WASHER	4	
7	MH785779300	CLUTCH THROWOUT LEVER	1	
8	MH785391300	BEARING SUPPORT CAP	1	
	MH062232800	HEX. HD. SCREW	5	
9	MH992831567	EXTERNAL CIRCLIP	1	
10	MH993312107	BALL BEARING	1	
11	MH785392300	DRIVE PINION & SHAFT	1	
12	MH022641200	SLIDING DUAL GEAR	2	
13	MH015953900	SPRING	1	
14	MH014196200	RUBBER BOOT	1	
15	MH016483600	PLASTIC BALL	1	
16	MH796402073	GEAR SHIFT LEVER ASSLY	1	
	MH796402063	GEAR SHIFT LEVER SHAFT	1*	
	MH016474600	GEAR SHIFT LEVER	1*	
	MH015716600	PIN	1*	
17	MH016243300	RETAINING KEY	1	
18	MH11413	SHIFT LEVER & SUPPORT ASSLY	1**	
		OR		
		SHIFT LEVER & SUPPORT ASSLY.		
	MH015236400	LEVER SUPPORT	1	
	MH057048200	HEX. HD. SCREW	4	
19	MH05382	INTERLOCK ASSEMBLY	1	
20	MH015957800	SPRING	2	
21	MH015835800	SPRING FOLLOWER	2	
22	MH015133900	BALL	4	
23	MH506949300	LEVER	1	
	MH060305300	HEX. HD. SCREW	1	
	MH014936900	HEX. NUT	1	

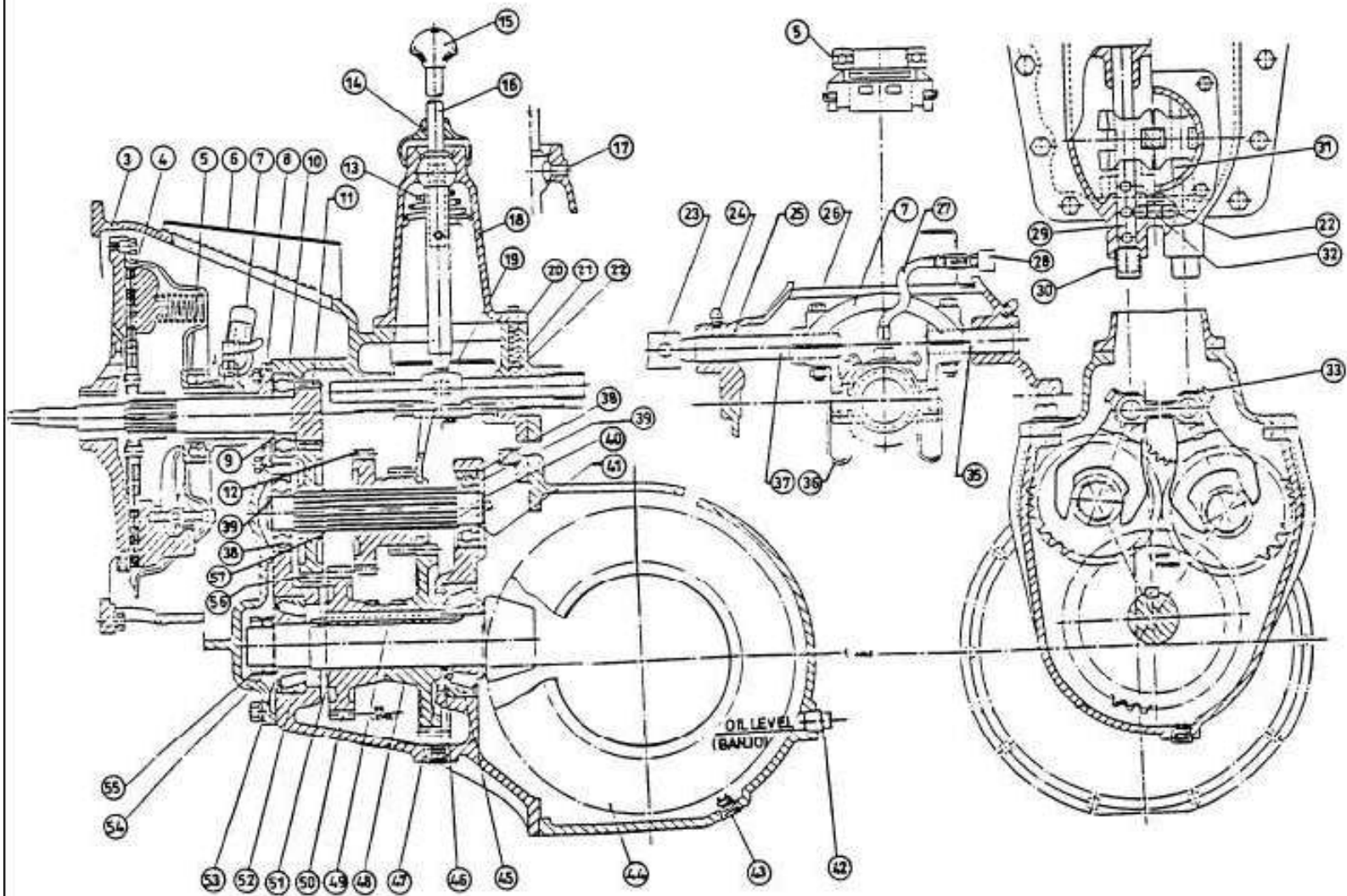
SERVICED UNDER PART NO. MH 17477



**TRANSMISSION ASSEMBLY
(MH 796458000)**

**TRANSMISSION ASSEMBLY
(MH 796458000)**

ITEM NO	PART NO	DESCRIPTION	QTY	REMARKS
24	MH015628700	LUBE FITTING	2	
25	MH016348700	BUSHING	2	
26	MH062236500	HEX. HD. SCREW	2	
27	MH019848200	LUBRICATION HOSE	1	
	MH056716800	ADAPTOR	1	
28	MH018478100	GREASE CUP	1	
	MH018479700	SPL. ELBOW	1	
29	MH018896700	R.H. GEAR SHIFTER BAR	1	
30	MH015445500	GEAR SHIFTER BAR CAP	2	
31	MH018896800	L.H. GEAR SHIFTER BAR	1	
32	MH015720700	INTERLOCKING PIN	1	
33	MH012717300	GEAR SHIFTER FORK	2	
	MH014669400	SET SCREW	2	
35	MH015848800	CLUTCH THROW OUT SHAFT	1	
36	MH015949400	RELEASE BEARING RETURN SPRING	1	
37	MH015848700	CLUTCH THROW OUT SHAFT	1	
38	MH054586100	BALL BEARING	4	
39	MH785325100	SNAP RING	4	
40	MH785324900	INTERMEDIATE SHAFT	2	
41	MH785325200	SNAP RING	2	
42	MH785204000	OIL LEVEL PLUG	1	
43	MH785204100	MAGNETIC DRAIN PLUG	1	
44	MH016873800	DIFFERENTIAL WITH RING GEAR & PINION	1	
	MH015139400	DIFFERENTIAL BEARING	2	
	MH015818800	DIFFERENTIAL BEARING RETAINER	2	
	MH015416100	COTTER PIN	2	
45	MH993361060	PINION BEARING	1	
46	MH03903	SHIM WASHER 0.075" THK	A/R	
	MH03904	SHIM WASHER 0.070" THK	A/R	
	MH03905	SHIM WASHER 0.065" THK	A/R	
	MH03906	SHIM WASHER 0.060" THK	A/R	
	MH03907	SHIM WASHER 0.055" THK	A/R	
	MH03908	SHIM WASHER 0.050" THK	A/R	



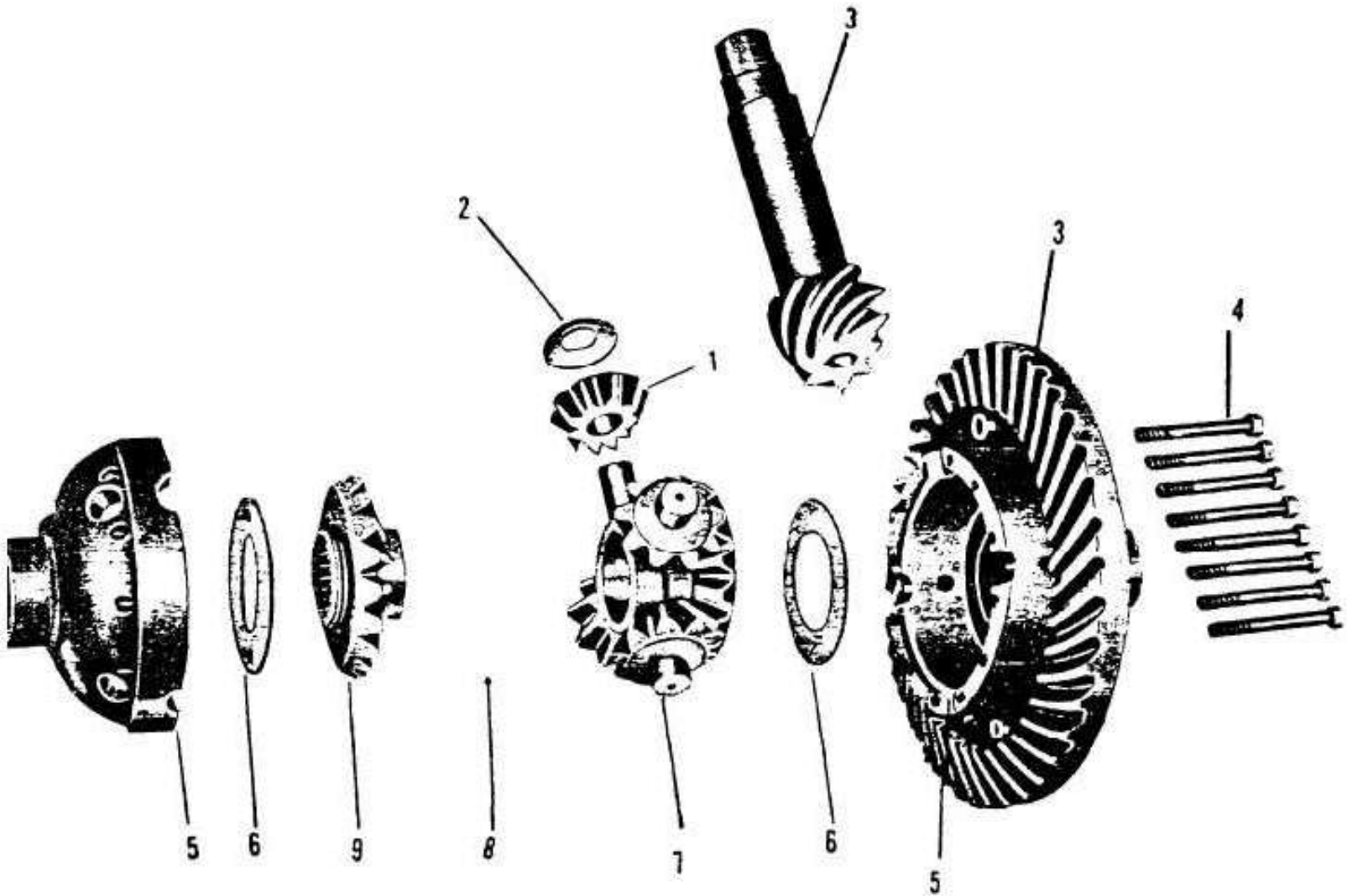
**TRANSMISSION ASSEMBLY
(MH 796458000)**

**TRANSMISSION ASSEMBLY
(MH 796458000)**

ITEM NO	PART NO	DESCRIPTION	QTY	REMARKS
	MH015173060	SHIM WASHER 0.100" THK	A/R	
	MH015173070	SHIM WASHER 0.105" THK	A/R	
	MH015173080	SHIM WASHER 0.110" THK	A/R	
47	MH08871	GEAR SPACER	1	
48	MH08858	LOW GEAR (42 TEETH)	1	
49	MH09095	KEY	1	
50	MH08859	HIGH GEAR (33 TEETH)	1	
51	MH992831591	EXT. CIRCLIP	1	
52	MH993361178	PINION BEARING	1	
53	MH056262200	KEYED WASHER	1	
54	MH993396018	BEARING LOCK WASHER	1	
55	MH993395018	BEARING LOCK NUT	2	
56	MH015534600	INTERMEDIATE GEAR	2	
57	MH785325200	SNAP RING	2	
58	MH015630100	AIR VENT	1	

A/R Stands for 'As Required'

ITEM NO	PART NO	DESCRIPTION	QTY	REMARKS
	MH03926	TRANSMISSION LOWER HALF	1	
	MH32228900	BAIL WIRE	1	
	MH11241	CROWN WHEEL AND PINION	1	
	MH09094	DIFFERENTIAL WITH RING GEAR PINION	1	
	MH060305500	LOWER HALF AND GEAR BOX MOUNTING BOLT	10	
	MH13424	REVERSE HORN	1	
	MH11829	REVERSE HORN	1	
	MH12969	LIMIT SWITCH	1	



DIFFERENTIAL, RING GEAR & PINION ASSEMBLY

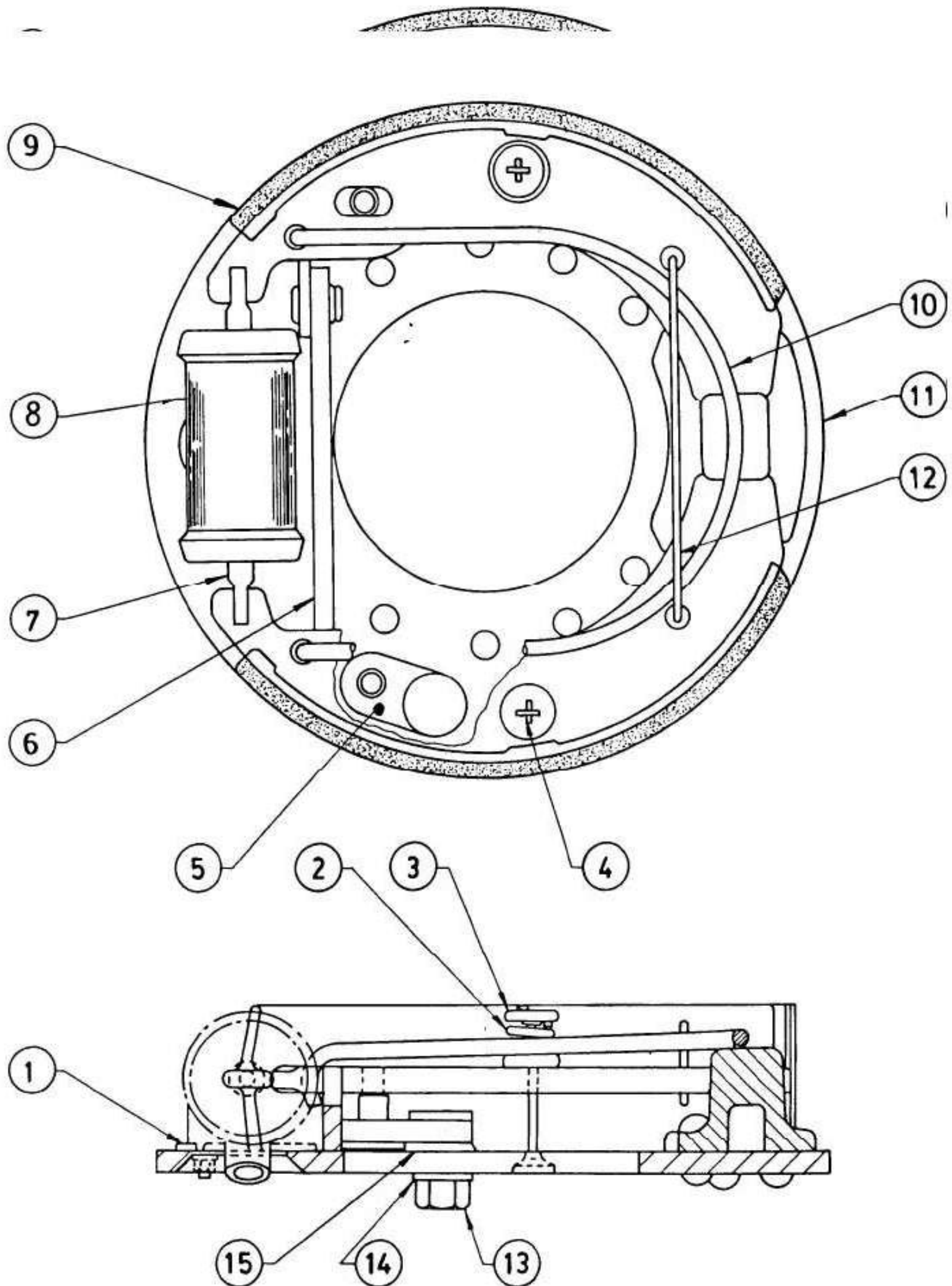
DIFFERENTIAL, RING GEAR & PINION ASSEMBLY

ITEM NO	PART NO	DESCRIPTION	QTY	REMARKS
	MH016873800	DIFFERENTIAL WITHOUT RING GEAR		
		& PINION	1	
1	MH870000943	BEVEL PINION	4	
2	MH025607600	PINION THRUST WASHER	4	
3	MH11241	RING GEAR AND PINION ASSLY	1SET	
4	MH033422600	HEX. HD. SCREW	12*	
5	MH08239	DIFFERENTIAL CASE SHORT	1*	
	MH07606	DIFFERENTIAL CASE LONG	1*	
6	MH025607500	SIDE GEAR THRUST WASHER	2*	
7	MH870000933	DIFFERENTIAL SPIDER	1*	
8	MH016113600	SPACER	1*	
9	MH870000952	BEVEL GEAR	2*	

HARDWARE FOR CROWN WHEEL MOUNTING ON DIFFERENTIAL CASE (not shown)

ITEM NO	PART NO	DESCRIPTION	QTY	REMARKS
	MH515412100	HEX. HD. ½" UNF BOLT	12	
	MH992785644	WASHER GALVANISED	12	
	MH032228900	BAIL WIRE	1	

SERVICED UNDER PART NO MH 016873800



HYDRAULIC WHEEL BRAKES

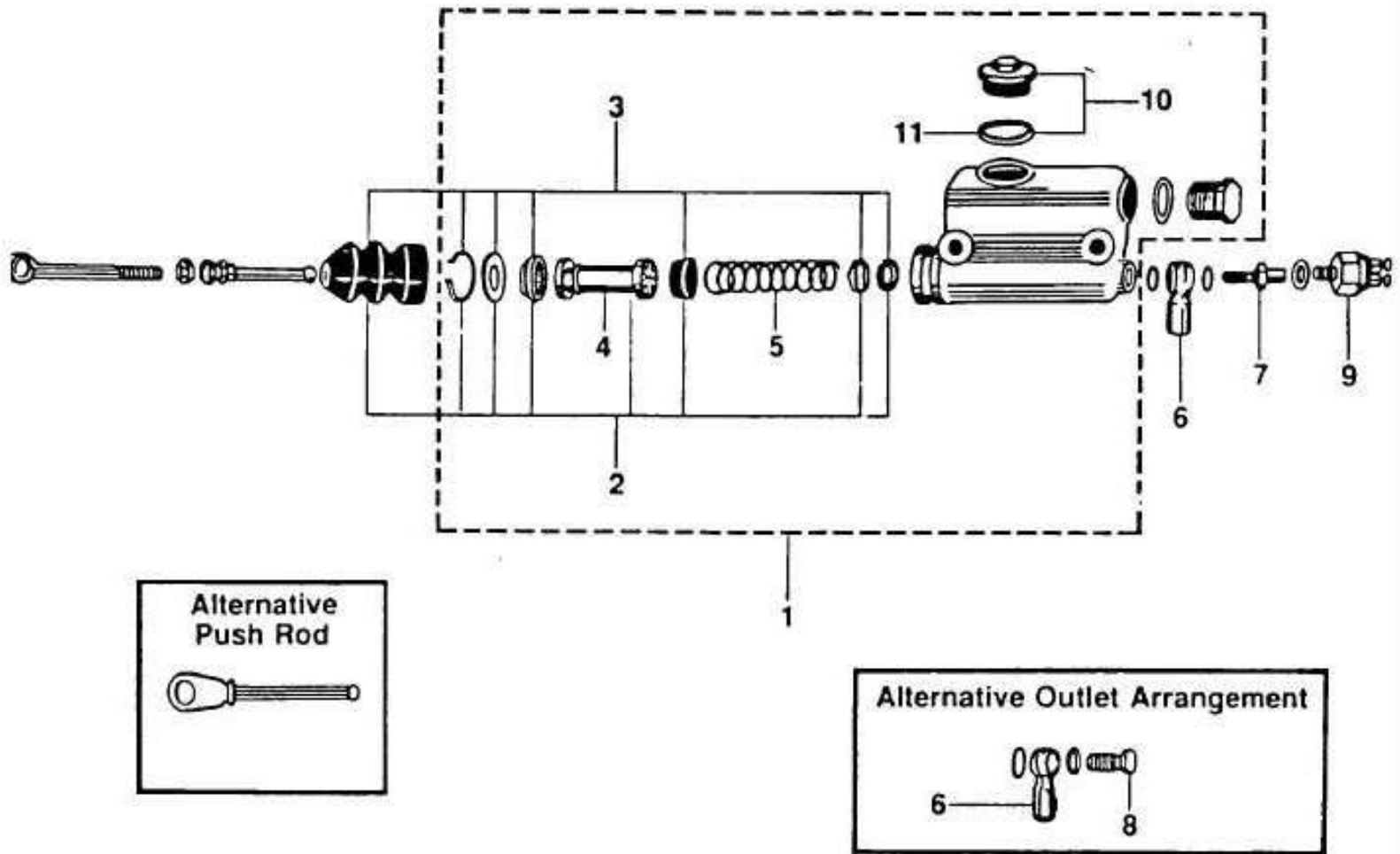
HYDRAULIC WHEEL BRAKES

ITEM NO	PART NO	DESCRIPTION	QTY	REMARKS
	MH08549	L.H. BRAKE ASSEMBLY	1	
	MH08550	R.H. BRAKE ASSEMBLY	1	
1	MH065044000	CYLINDER SPACER PLATE & LEVER GUIDE	2	
2	MH057456800	SPRING	2	
3	MH023187000	SPRING RETAINER	4	
4	MH506071800	ANTI RATTLE ROD	2	
5	MH507337800	ADJUSTING PAWL KIT	1	
6	MH065040100	R.H. CONTROL LEVER & LINK	1	
	MH065040200	L.H. CONTROL LEVER & LINK	1	
7	MH065092100	PUSH ROD	2	
8	MH870001339	R.H. WHEEL CYLINDER	1	
	MH870001303	L.H. WHEEL CYLINDER	1	
		HEX. HD. SCREW	2	
	MH015026400	LOCK WASHER	2	
9	MH511667400	BRAKE SHOE AND LINING	2	
10	MH065041000	BRAKE SHOE RETURN SPRING	1	
11	MH08568 A	R.H. BACKING PLATE	1	
	MH08460A	L.H. BACKING PLATE	1	
12	MH023411600	RETAINING SPRING	1	
13	MH014936900	HEX NUT	2	
14	MH061278200	HARDENED WASHER	2	
15	MH507337802	SPRING WASHER	2	

HARDWARE FOR MOUNTING OF BRAKE BACK PLATE (not shown)

	MH060305600	HEX. SCREW	8	
	MH061278100	WASHER	8	

***NOT SERVICED SEPERETELY**



BRAKE MASTER CYLINDER 7/8"

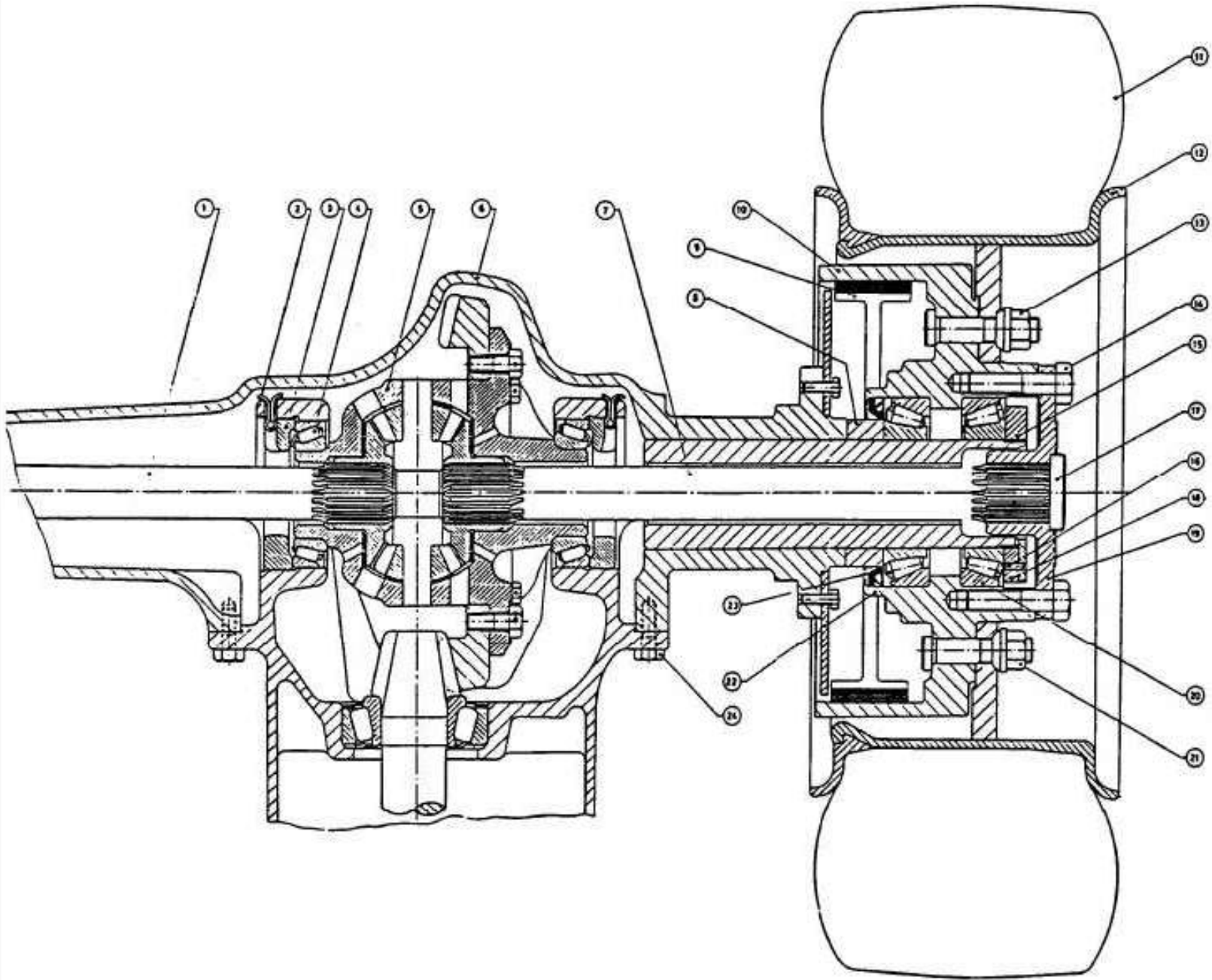
BRAKE MASTER CYLINDER 7/8"

ITEM NO	PART NO	DESCRIPTION	QTY	REMARKS
1	MH870001211	MASTER CYLINDER ASSEMBLY	1	
2	MH870004099	BACK SEAL	1*	
	MH870004139	VALVE	1*	
	MH870004079	CIRCLIP	1*	
	MH870004119	CUP SEAL	1*	
	MH870004059	DUST COVER	1*	
	MH870004089	RETAINING WASHER	1*	
4	MH870004109	PISTON	1*	
5	MH870004129	SPRING	1	
6	MH870001394	BANJO	1	
7	MH870001369	BANJO WASHER	1*	
8	MH870001344	BANJO BOLT	1	
9	MH08995	STOP LIGHT SWITCH WITH WASHER	1	
10	MH870004169	FILLER CAP	1	
11	MH870004179	GASKET (FILLER CAP)	1*	

ITEMS NOT SHOWN

ITEM NO	PART NO	DESCRIPTION	QTY	REMARKS
	MH870001379	WASHER	1*	
	MH870004059	PUSH ROD	1	
	MH870001224	ROD END	1	
	MH870001359	LOCK NUT	1	
	MH870004149	VALVE SEAT	1*	
	MH870004159	BODY MASTER CYLINDER	1	
	MH870001659	KIT MASTER CYLINDER		
	MH870002609	KIT MASTER CYLINDER	1	

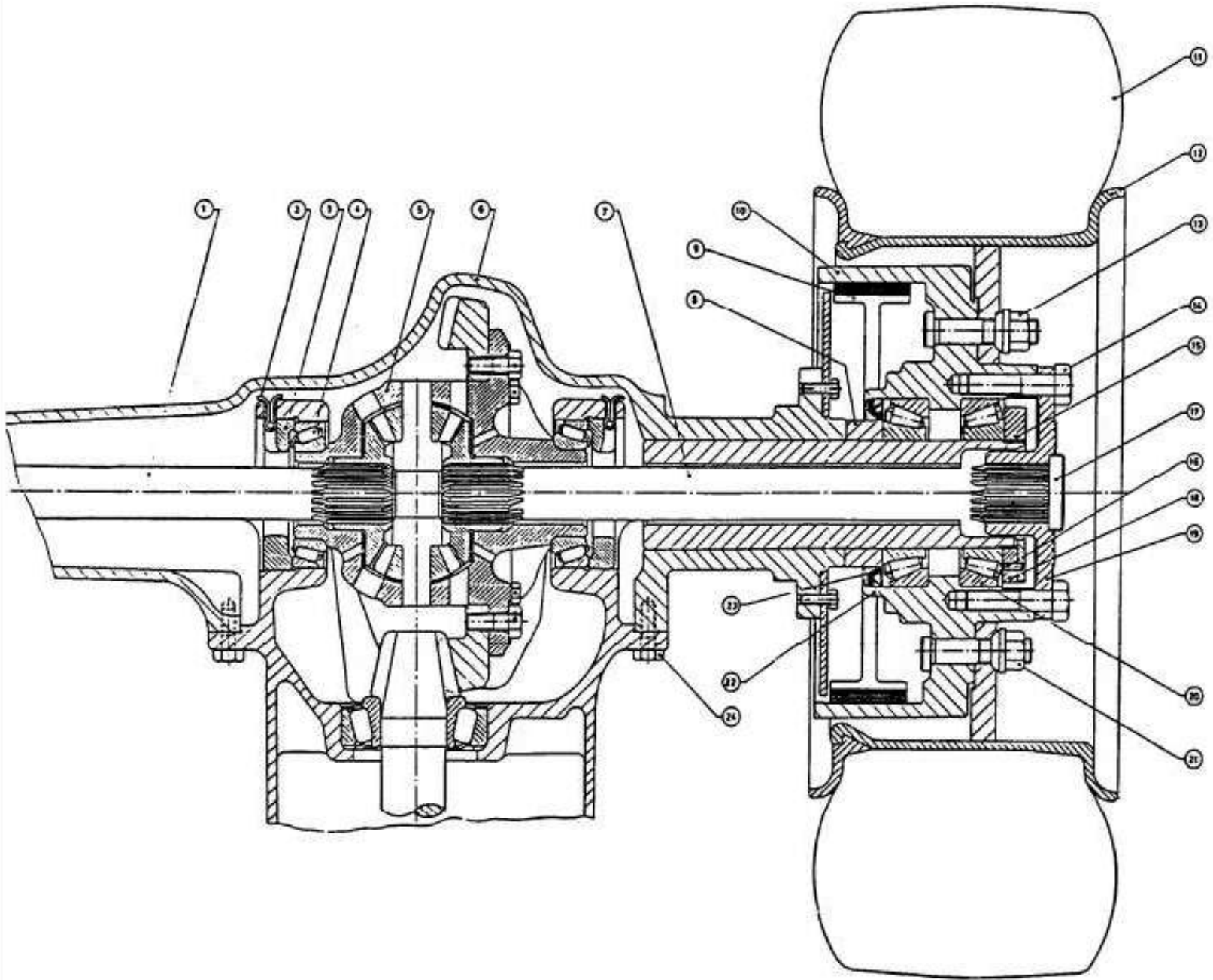
*** NOT SERVICED SEPERATELY ORDER KIT MASTER CYLINDER 870002609.**



DRIVE AXLE ASSEMBLY (BEAR CAT)
MH 796452000

**DRIVE AXLE ASSEMBLY (BEAR CAT)
(MH 796452000)**

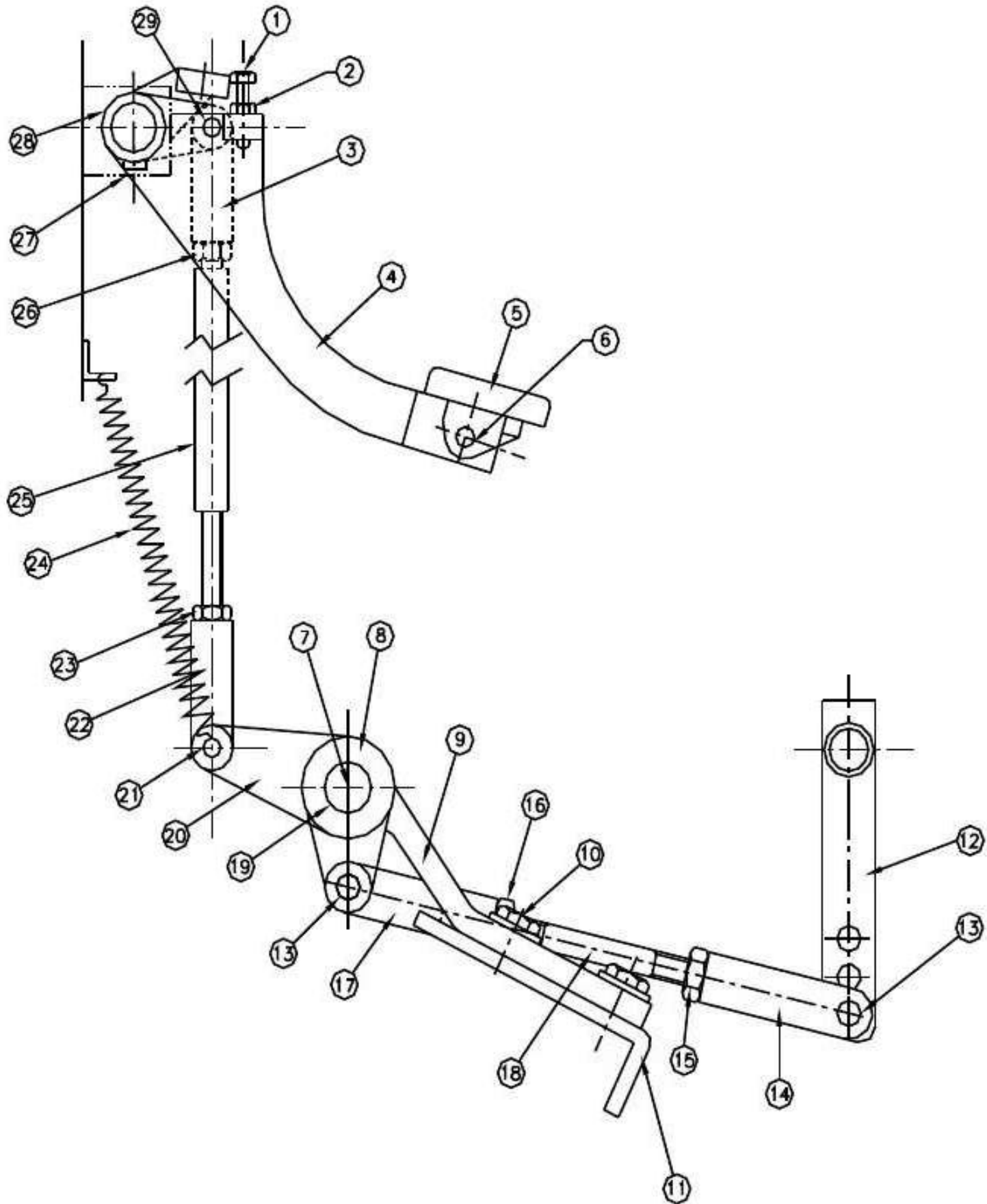
ITEM NO	PART NO	DESCRIPTION	QTY	REMARKS
1	MH502718403	LONG DRIVE SHAFT	1	
2	MH015416400	COTTER PIN	2	
3	MH015818800	BEARING RETAINER	2	
4	MH015139400	DIFFERENTIAL BEARING	2	
5	MH09094	DIFFERENTIAL ASSEMBLY	1	
6	MH08845	HOUSING & SLEEVE ASSEMBLY	1	
	MH07544	DRIVE AXLE HOUSING	1	
	MH07513	SLEEVE	2	
	MH785204100	PIPE PLUG	1	
	MH785204700	PIPE PLUG	1	
	MH785204000	PIPE PLUG	1	
	MH015630100	AIR VENT	1	
7	MH502718404	SHORT DRIVE SHAFT	1	
8	MH07667	SPACER RING	2	
9	MH08549	L.H. BRAKE ASSEMBLY	1	
	MH08550	R.H. BRAKE ASSEMBLY	1	
	MH059074900	HEX. HD. SCREW	16	
	MH0161278100	WASHER	16	
10	MH07574	HUB & BRAKE DRUM	2	
11	MH056663400	PNEUMATIC TYRE, TUBE, FLAP GROUP	2	
	MH056663500	TYRE (order 05663400 group)	2	
	MH056663600	TUBE (order 05663400 group)	2	
	MH056663700	FLAP (order 05663400 group)	2	
		OR		
	MH785765901	DRIVE BEARCAT TYPE OPTIONAL	2	
12	MH17312	RIM ASSEMBLY	2	
13	MH08724	WHEEL NUT	12	
	MH791340034	DRIVE WHEEL STUD	12	
	MH08725	SPRING WASHER	12	
14	MH992245294	HEX. HD. SCREW	16	
15	MH785256600	LOCKING BLOCK	2	
16	MH992372212	COUNTERSUNK HD. SCREW	2	
	MH015028800	LOCK WASHER	2	



**DRIVE AXLE ASSEMBLY
(MH 796452000)**

**DRIVE AXLE ASSEMBLY (BEAR CAT)
(MH 796452000)**

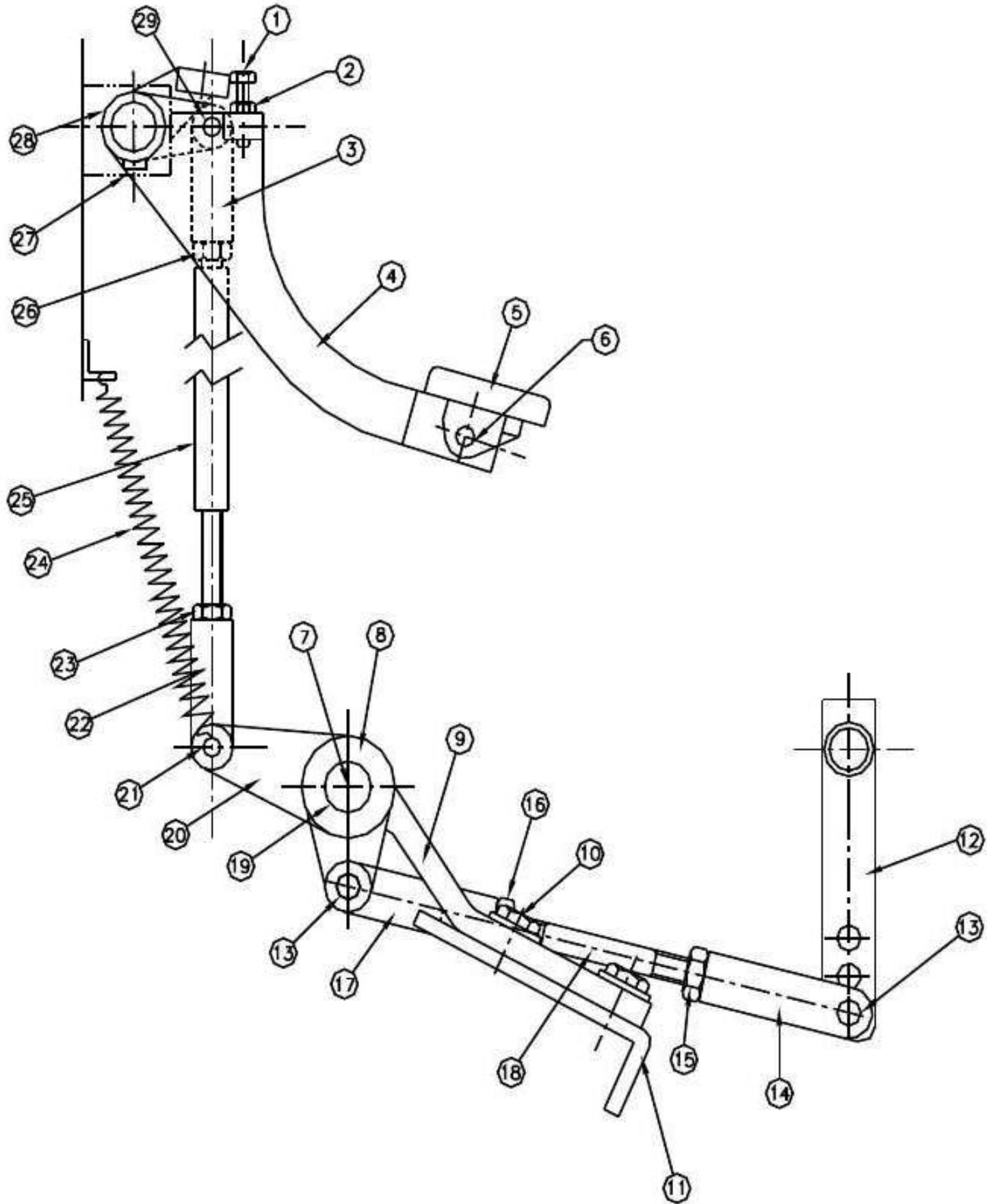
ITEM NO	PART NO	DESCRIPTION	QTY	REMARKS
17	MH870002234	WELSH PLUG	2	
18	MH00205	BEARING NUT	2	
19	MH07565	HUB FLANGE	2	
20	MH993361146	WHEEL BEARING	4	
21	MH785295700	SPL. HD. SCREW	10	
	MH 785764100	HEX. NUT	10	
	MH992791545	SPRING WASHER	10	
	MH785760700	HEX. SCREW	4	
23	MH09608	OIL SEAL	2	
24	MH055485000	HEX. HD. SCREW	10	
	MH059694600	HEX. HD. SCREW	16	
25	MH059117400	PEDESTAL CAP SCREW	4	
	MH061278100	WASHER	16	



**CLUTCH PEDAL AND LINKAGE
(MH 40729)**

CLUTCH PEDAL AND LINKAGE (MH 40729)

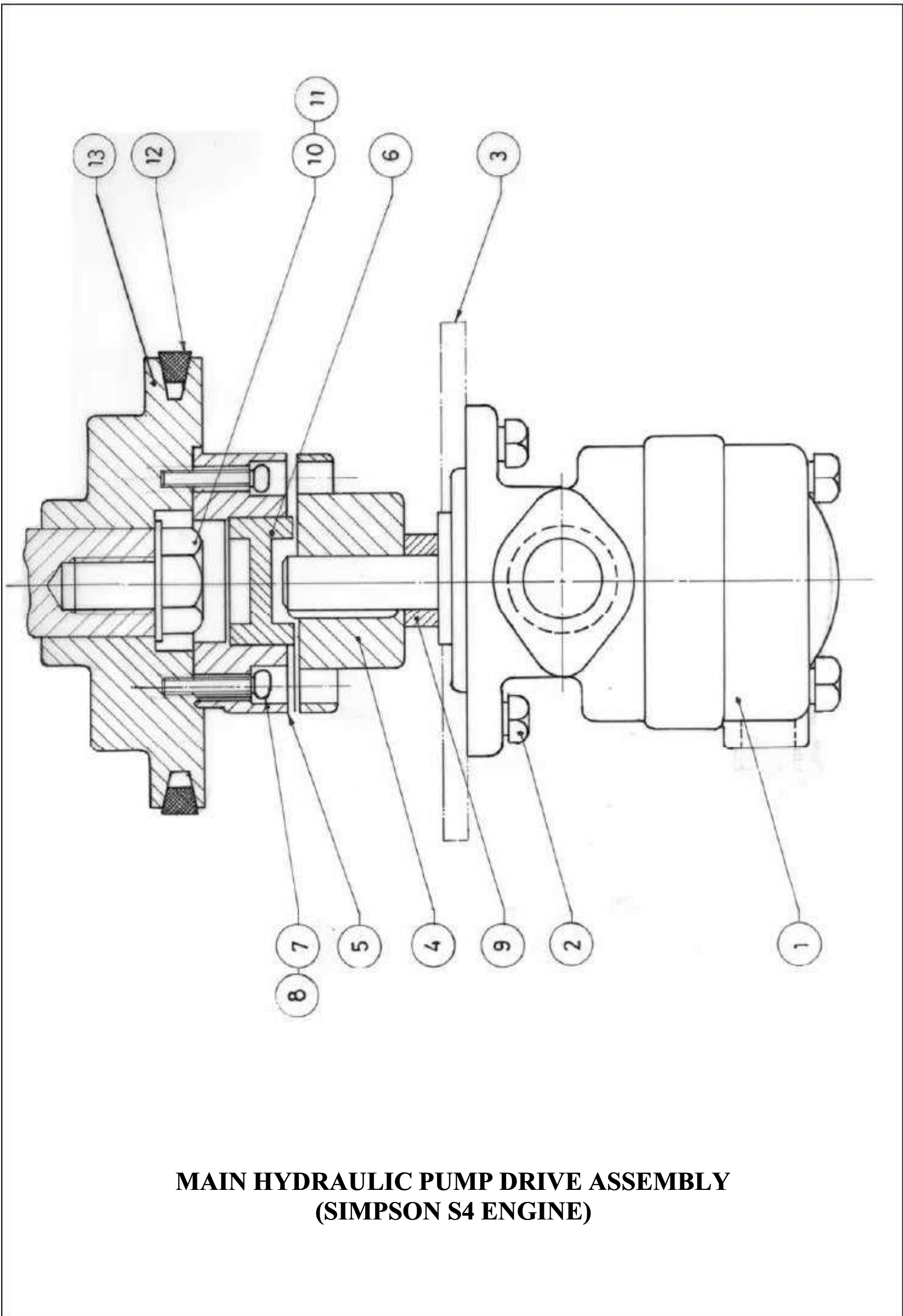
ITEM NO	PART NO	DESCRIPTION	QTY	REMARKS
1	MH014671800	HEX. HD. SCREW	1	
2	MH014936900	HEX. NUT	1	
3	MH016548400	YOKE END	1	
4	MH40668	CLUTCH PEDAL LEVER WELD'T	1	
5	MH063681200	PEDAL PAD	1	
6	MH062143700	HEX. HD. SCREW	1	
	MH014936600	HEX. NUT	1	
	MH015028900	LOCK WASHER	1	
7	MH064597100	PIVOT PIN	1	
8	MH062077800	ROLL PIN	1	
9	MH504101300	BELLCRANK SUPPORT	1	
10	MH055485100	HEX. HD. SCREW	2	
	MH014937200	HEX. NUT	2	
	MH061278200	WASHER	2	
11	MH796412274	BRACKET-BELLCRANK SUPPORT	1	
		(PART OF FRAME)		
12	MH40784	LEVER WELD	1	
13	MH023031500	YOKE PIN	2	
	MH992816049	COTTER PIN	2	
14	MH145991	YOKE END	1	
15	MH0149731	HEX. JAM NUT	1	
16	MH796612404	HEX. JAM NUT	1	
17	MH796612414	YOKE END	1	
18	MH796412819	CLUTCH TIE ROD	1	
19	MH011775900	BUSHING	1	
20	MH40730	BELL CRANK ASSEMBLY	1	
21	MH796412294	YOKE PIN	1	
	MH992816049	COTTER PIN		
22	MH796412479	OFFSET YOKE	1	
23	MH014973100	HEX. JAM NUT	1	
24	MH060309600	SPRING	1	
25	MH796412303	ROD CLUTCH ASSEMBLY	1	



CLUTCH PEDAL AND LINKAGE
(MH40729)

**CLUTCH PEDAL & LINKAGE
(MH40729)**

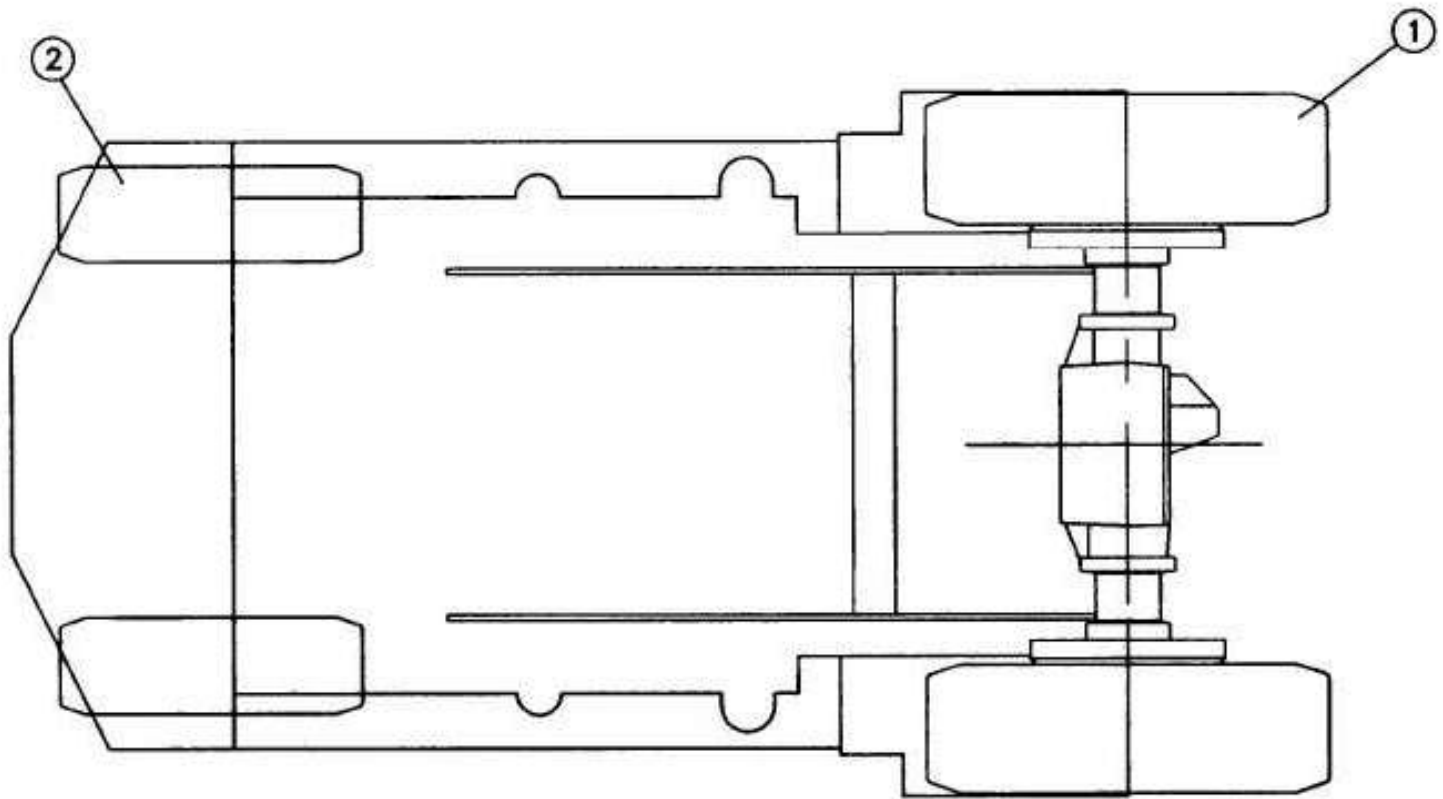
ITEM NO	PART NO	DESCRIPTION	QTY	REMARKS
26	MH014972700	HEX.JAM NUT	1	
27	MH015628700	LUB FITTING	1	
28	MH063541000	PEDAL SHAFT	1	
	MH992816068	COTTER PIN		
	MH870001234	SHIM WASHER	A/R	
29	MH021848800	YOKE PIN	1	
	MH992816049	COTTER PIN	1	



**MAIN HYDRAULIC PUMP DRIVE ASSEMBLY
(SIMPSON S4 ENGINE)**

**MAIN HYDRAULIC PUMP DRIVE ASSEMBLY
(SIMPSON S4 ENGINE)**

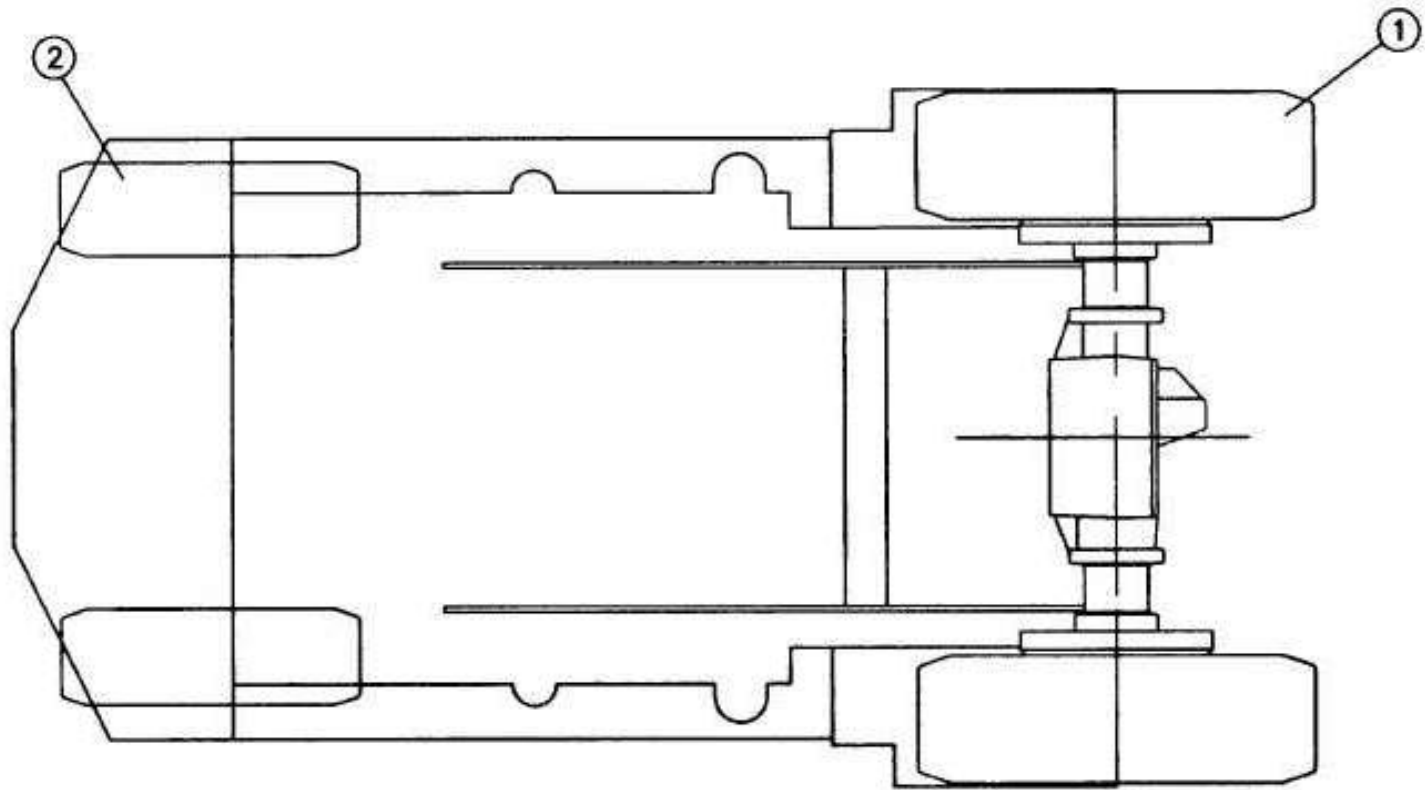
ITEM NO	PART NO	DESCRIPTION	QTY	REMARKS
1	MH 16178	MAIN HYDRAULIC PUMP	1	
2	MH 055486800	HEX. SCREW	2	
3	MH 796407542	CROSS MEMBER	1	
4	MH 508592400	END PIECE	1	
5	MH 508591400	END PIECE	1	
6	MH 508593400	FLEXIBLE COUPLING	1	
7	MH 065577200	SOCKET HD. SCREW	3	
8	MH 992791130	LOCK WASHER	6	
9	MH 08797	SPACER	1	
10	MH 785249900	HEX. SCREW	1	
11	MH 061943400	SPL. STEEL WASHER	1	
12	MH 11038	FAN BELT	1	
13	-	PULLEY (A PART OF ENGINE)	1	



WHEELS & TYRES (BEAR CAT)

WHEELS AND TYRES (BEAR CAT)

ITEM NO	PART NO	DESCRIPTION	QTY	REMARKS
1	MH796416048	WHEEL ASSLY - DRIVE	2	
		THE WHEEL ASSLY SET CONSISTS OF:		
	MH785231102	DRIVE RIM ASSLY	1	
	MH785765901	SOLID CUSHION TYRE 7.00 X 12	1	
	MH785295700	RIM HD STUD	5	
	MH785764100	RIM HEX NUT	5	
	MH992791545	SPRING WASHER	5	
2	MH11434	WHEEL ASSLY - TRAIL	2	
		THE WHEEL ASSLY SET CONSISTS OF:		
	MH17312	RIM ASSEMBLY TRAIL	1	
	MH785765903	SOLID CUSHION TYRE 6.50 X 10	1	
	MH785293700	TRAIL RIM STUD	5	
	MH785764100	RIM HEX.NUT	5	
	MH992791545	SPRING WASHER	5	



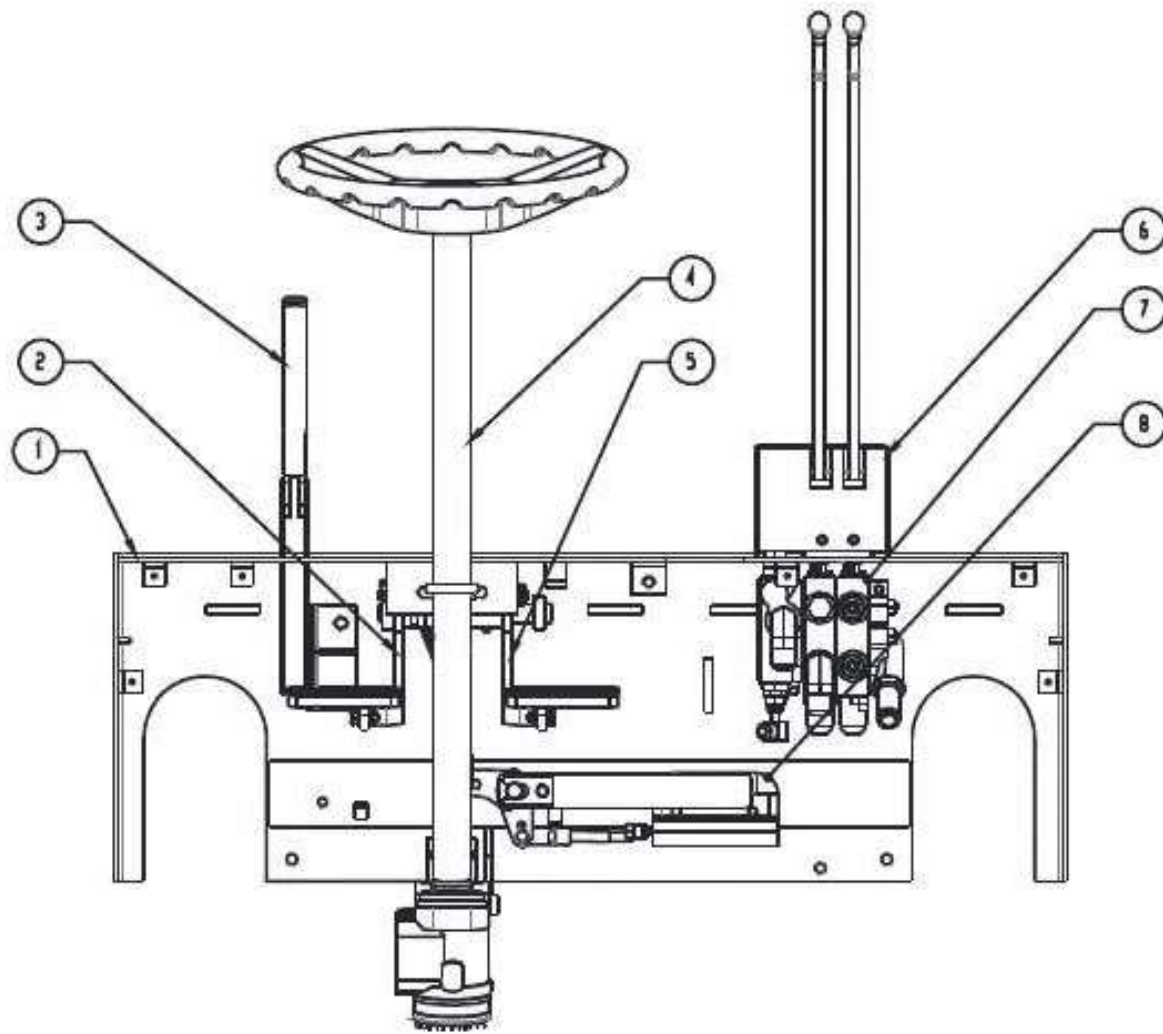
WHEELS & TYRES (PNEUMATIC)

WHEELS & TYRES (PNEUMATIC)

ITEM NO	PART NO	DESCRIPTION	QTY	REMARKS
1	MH15952	WHEEL ASSLY - DRIVE	2	
		THE WHEEL ASSLY SET CONSISTS OF:		
	MH785231102	DRIVE RIM ASSLY	1	
	MH056663500	TYRE	1	
	MH056663600	TUBE	1	
	MH056663700	FLAP	1	
	MH785295700	RIM HD. STUD	5	
	MH785764100	RIM HEX.NUT	5	
	MH992791545	SPRING WASHER	5	
	MH056663400	TYRE. TUBE,FLAP GROUP		
2	MH11433	WHEEL ASSLY-TRAIL(6.50x10)	2	
		THE WHEEL ASSLY SET CONSISTS OF:		
	MH17312	RIM ASSEMBLY	1	
	MH014359700	TYRE	1	
	MH014361900	TUBE	1	
	MH014362000	FLAP	1	
	MH785293700	TRAIL RIM STUD	5	
	MH785764100	RIM HEX.NUT	5	
	MH992791545	SPRING WASHER	5	
	MH014359600	TYRE, TUBE,FLAP GROUP		

OPTIONS

ITEM NO	PART NO	DESCRIPTION	QTY	REMARKS
1	MH056663500E	WHEEL ASSLY - DRIVE	2	
2	MH056663600E	DRIVE RIM ASSLY	1	
3	MH056663700E	TYRE	1	
1	MH014359700E	TYRE 6.50x10 OR EQUAL	1	
2	MH014361900E	TUBE 6.50 x10	1	
3	MH014362000E	FLAP	1	



COWL ASSEMBLY

COWL ASSEMBLY

ITEM NO	PART NO	DESCRIPTION	QTY	REMARKS
1	MH40385	COWL ASSEMBLY	1	
2	MH40729	CLUTCH PEDAL AND LINKAGE	1	
3	MH796455018	PARKING BRAKE	1	
4	MH7964014000	STEERING SYSTEM	1	
5	MH40669	BREAKE PEDAL LINKAGE	1	
6	MH40721	C/V FRP COVER	1	
7	MH40388	CONTROL V/V &LINKAGE	1	
8	MH870001211	BRAKE MASTER CYLINDER 7/8"	1	

Your investment in a Voltas Forklift Truck is important to you and to Voltas. You measure the return on that investment through the performance of these trucks and the drivers who operate and the mechanics that service them safely and efficiently. The following information and programs are intended to help you to achieve your investment objectives:

SERVICE PARTS ORDERING INSTRUCTIONS HOW TO ORDER SERVICE PARTS

In order to prevent delay, too much communication and to have your orders filled correctly, quickly and at the least possible cost, the following is the correct procedure to use to order replacement parts.

WHEN ORDERING PARTS

Contact your nearest Voltas Office giving them the following information:

1. Your Purchase order number.
2. Complete addresses for sending the invoice and parts.
3. Tell us how you want your parts to be sent.
4. Correct part numbers and descriptions. Use your parts manual as a reference.
5. Model and serial number of the truck.

TECHNICAL SERVICE PUBLICATIONS

To help you maintain your Voltas Forklift Trucks in a safe and useful condition, detailed information is available. Included are Service Parts Manuals with complete replacement parts in identification, which give proper service and overhaul procedure. Additional copies of this Operator's Manual can also be obtained from your nearest Voltas Office.

SERVICE MANUAL PART NO. : DVX30FC-SM01-99

OPERATOR'S MANUAL PART NO. : DVX30FC-OM01-99

To provide instructions for safe operating and servicing Voltas Forklift Trucks, each truck is equipped with an operator's manual. It describes various operating techniques and safety warnings to the operator. It contains a guide to safe maintenance practices and recommended schedules for maintenance. If the operator's manual is missing from any Voltas Forklift Truck, it should be replaced. Replacement copies are available for a nominal fee from your Voltas Office.

OPERATOR TRAINING

The Operator and Maintenance program helps Forklift Truck users increase their materials handling production and safety through correct lift truck operations, training and motivation. The Voltas Forklift Truck program is based upon real life experience-not theoretical concepts. We developed a "complete" program that is totally self-contained-incorporating the most modern instructional techniques, including elements of self-study, audio-visual support (both video and slides), and classroom study.

SERVICE TRAINING COURSES

Operators and service technicians can improve their technical ability for maintaining and repairing Voltas Forklift Trucks and decrease repair time and cost by taking the Voltas Service Training courses. Different types of mechanical, electric and electronic subjects are available. Courses are available at customer locations in addition to regularly scheduled courses, which are held at Voltas Limited MHBD, 2nd Pokhran Road, Thane (West)-400601.

COURSES AVAILABLE

1. Training Programme on Diesel & Electric Forklift Trucks

Objective : This programme has been designed to equip the customer's maintenance personnel who are responsible for daily maintenance of forklift trucks.

Key Topics : Diesel Engine Maintenance, Hydraulics, Electricals, Transmission, Fluid coupling, Mechanical Maintenance & Safety.

Participation: All the above key topics will be presented by experts drawn from Simpsons Koel, Vickers, Chloride, Lucas & Co-ordinated by all India Service Manager.

Duration : 3 Days.

Venue : Voltas Technical Training Centre, Thane.

2. Crash Service Training Diesel & Electric Fork Lift Trucks - Major Fleet Owners

Objective : To impart in-depth knowledge to customers maintenance & operation personnel at their own Plant / Site.

Key Topics : Proper Operational Practices, Overview of Mechanical assemblies, Do's & Don'ts, Routine Maintenance, Preventive Maintenance.

Participation: all India Service Manager in association with branch service personnel will impart this "On-The-Site" Training.

Duration : 3 Days
Venue : At Customers Location Site.

TRAINING CALENDAR

Material Handling Equipment Training Calendar is published every year.

This training calendar gives details of the courses scheduled for the current year, which can be obtained from the nearest Voltas Office.

For additional information or assistance on these programs, contact or write to:

Voltas Material Handling Pvt. Ltd,
5-4 Chandan Nager Pune
PUNE 411 014

**FIRST INDIAN MANUFACTURER OF FORKLIFTS AND CRANES
TO GET THE ISO 9001**

VOLTAS MATERIAL HANDLING PRIVATE LIMITED

BUSINESS CENTRE

LIST OF BRANCH OFFICES –VMHPL

<p>Mr. Abhishek Ganguly (Branch Manager) Voltas Material Handling Pvt. Ltd. Voltas Ltd. A-301 Shivalik Corporate Park, Behind IOC Pump, 132, Feet Ring Road, Satellite, Ahmedabad-380015 Tel: 079-66306600/6601 Fax: 079-66301199 E: Abhishek.ganguly@voltas-mh.com</p>	<p>Mr. Deepak Kohli (Branch Manager) Voltas Material Handling Private Limited., Voltas Limited., 61, Keshav Nagar, HawaSadak, Civil Lines, Jaipur, Rajasthan Tel: 0141-6541013 E: deepak.kohli@voltas-mh.com</p>	<p>Mr. Ajith .T. S. (Branch Manager) Voltas Material Handling Pvt. Ltd. Voltas Ltd. 7 th Floor, 701- Pride Hulkul 116,Lalbhag Road Bangalore-560027 T: 080-67132539 F: 080-22212769,22270172 E: ajith.ts@voltas-mh.com</p>
<p>Mr.Punyakoti Prabhakar (Branch Manager) Voltas Material Handling Pvt. Ltd. Voltas Ltd. 503, Anna Salai, Chennai-600018 T: 044-66760322/0323 F:044 -24342178 E: p.prabhakar@voltas-mh.com</p>	<p>Mr.Anubrot Bose (Regional Head CZ) Voltas Material Handling Pvt. Ltd. Voltas Ltd. NRmit House, 280, Off WHC Road, Bajaj Nagar, Nagpur -440010 T: 0712-6454868 F: 0712-2553814 E: anubrot.bose@voltas-mh.com</p>	<p>Mr. Satyajit Pattnaik (Branch Manager) Voltas Material Handling Pvt. Ltd. Voltas Ltd. 14, Mumbai-Pune Road, Wakadewadi, Pune-411093 T: 020-66046614/11 F: 020-66046600/601 E: satyajit.pattnaik@voltas-mh.com</p>
<p>Mr. Sanjiv Arora (Branch Manager) Voltas Material Handling Pvt. Ltd. Voltas Ltd A 43 Mohan Co-op, Industrial Estate, Mathura road, New Delhi-110 044 T: 011-66505511/5112 F: 011-26950022/26950081 E: sanjiv.arora@voltas-mh.com</p>	<p>Mr. G. Kiran kumar (Branch Manager) Voltas Material Handling Pvt. Ltd. Voltas Ltd. 87/D, Rashtrapathi Road, Secundrabad-500003. T: 040-66746820/6821 F: 040-66203882 E: kiran.kumar@voltas-mh.com</p>	<p>Mr. Vinod Kamble (Branch Manager) Voltas Material Handling Pvt. Ltd. Voltas Ltd. 2nd Pokhran Road, PBox No. 72 Thane (W) -400601 T: 022- 67920125 F: 022- 67920164 E: vinod.kamble@voltas-mh.com</p>
<p>Mr. Sukanta Sengupta (Branch Manager) Voltas Material Handling Pvt. Ltd. Voltas Ltd. Gillander House 8, NetajiSubhash Road, Kolkata-700 001 T: 033-66266323/325 F: 033-66266328 E: sukanta.sengupta@voltas-mh.com</p>	<p>Mr. Chetak Kumar Samal (Branch Manager) Voltas Material Handling Pvt. Ltd. Voltas Ltd. Voltas House, P O Box No 52 Main Road, Bisupur, Jamshedpur-831011 T: 0657-6518804 F: 0657-2432201 E: chetakkumar.samal@voltas-mh.com</p>	<p>Mr. Digvijay Singh (Branch Manager) Voltas Material Handling Private Limited., Voltas Limited., SCO 201-202-203, 2nd floor, Sector 34A, Chandigarh 160022 Tel: 079-66306600/6601 Fax: 079-66301199 E: digvijay.singh@voltas-mh.com</p>
<p>Mr. Agee Koshy (Branch Manager) Voltas Material Handling Pvt. Ltd. Voltas Ltd. Shema Building, Door No. 39/360⁸, M.G. Road, Ravipuram, Kochi-682016 T: 0484-6605508/2359624 E: agee.koshy@voltas-mh.com</p>	<p>Mr. Dibya Das (Branch Manager) Voltas Material Handling Pvt. Ltd. Voltas Ltd. B-15, Arihant Plaza, 2nd floor, Infront of OMFED office, Sahidnagar. Bhubneshwar-751009 T: 9178737311, F: 0674-2544920 E: dibya.dass@voltas-mh.com</p>	