

VOLTAS  
FORKLIFTS



# SPARE PARTS CATALOGUE

## VOLTAS DIESEL FORKLIFT TRUCK MODEL: DVX-405-FC



PART NO:

VALID FOR TRUCK NO:

DVX 405 FC



## **USER INFORMATION**

To verify this manual is correct for this truck compare the model with the nameplate on the truck.

Refer to table of contents for nameplate location and information. If the model in this manual does not agree with the information on the nameplate contact your nearest VOLTAS OFFICE.

## **SPECIAL NOTE**

This part manual contains complete and accurate information available at the time of publication for the components and systems listed. VOLTAS reserves the right to make changes to its product at any time and the possibility exists that latter changes are not included in this manual. If your forklift truck is equipped with special options that are not covered in this part manual, you should contact your local VOLTAS OFFICE for additional information.



## EXPLANATION OF MODEL

**D**      **V**      **X**      **405**      **FC**      **BCD**      **HVM**      **2360**  
FUEL    MANUFACTURER    TYPE    CAPACITY    FLUID COUPLING    TYRES    MAST    MAST-HEIGHT

FUEL:                      **D**      DIESEL

MANUFACTURER: **V**      VOLTAS LIMITED

TYPE:                      **X**      NEW SERIES

CAPACITY :              **405**    4000 KG

TRANSMISSION:      **FC**      FLUID COUPLING

TYRES:                      PNEUMATIC  
                                     BEARCAT  
                                     **PD**    PNEUMATIC DUAL  
                                     **BCD**    BEARCAT DUAL

MAST:                      **HVM**    SIMPLEX - HVM MAST  
                                     **HVD**    TRIPLEX - HVT MAST  
                                     **HI-LO**    SIMPLEX - HILO MAST

MAST-HEIGHT:      **2360**    HEIGHT IN mm



## CONTENTS

DESCRIPTION	PAGE NUMBER
GENERAL PARTS	..1-08
EQUALISER BAR ASSEMBLY	.1-10
EXHAUST SYSTEM	.. 1-12
FUEL TANK ASSEMBLY	.. 1-14
HARDWARE FOR FUEL TANK MOUNTING	1-14
ACCELERATOR ASSEMBLY	. 1-16
STARTING BATTERY	1-18
INSTRUMENT PANEL ASSEMBLY	1-20
WIRING DIAGRAM (GENERAL)	. 1-22
FLUID COUPLING ASSEMBLY	1-24
CLUTCH PEDAL & LINKAGE	.. 1-26
CLUTCH PEDAL & LINKAGE	.. 1-28
TRANSMISSION ASSEMBLY	. 1-32
ENGINE TO FLUID COUPLING - TRANSMISSION	.1-34
DIFFERENTIAL, RING GEAR & PINION ASSEMBLY	. 1-36
HARDWARE FOR CROWN WHEEL MOUNTING ON DIFFERENTIAL CASE (not shown)	
HYDRAULIC WHEEL BRAKES	1-38
HARDWARE FOR MOUNTING OF BRAKE, BACK PLATE (not shown)	..
BRAKE MAST CYLINDER	1-40
BRAKE TUBE ASSEMBLY	.. 1-42
HYDRAULIC WHEEL CYLINDER	.. 1-44
DRIVE AXILE ASSEMBLY	1-47
BRAKE PEDAL AND LINKAGE	.. 1-49
PARKING BRAKE INSTALLATION	1-51
STEER AXLE ASSEMBLY	1-53
STEERING SYSTEM	1-57
STEERING UNIT (DANFOSS)	1-59
PRIORITY VALVE ( DANFOSS)	.. 1-61
MAIN HYDRAULIC PUMP DRIVE ASSEMBLY (SIMPSON S4 ENGINE)	.. 1-63
HYDRAULIC PUMP ASSEMBLY (785202800)	1-65
TILT CYLINDER ASSEMBLY (WIPRO)	1-67
TILT CYLINDER L .H. ASSEMBLY	.. 1-69
STEER CYLINDER ASSEMBLY	. 1-71
HIGH VISIBILITY MAST ASSEMBLY	. 1-73



## CONTENTS

DESCRIPTION	PAGE NUMBER
HIGH VISIBILITY MAST ASSEMBLY	. 1-75
HYDRAULIC SYSTEM	.. 1-77
HYDRAULIC SYSTEM	.. 1-79
HYDRAULIC SYSTEM	.. 1-81
HYDRAULIC TANK ASSEMBLY	. 1-83
HARDWARE FOR HYDRAULIC TANK	.. 1-83
FUEL LINE DIAGRAM (SIMPSON S4 ENGINE)	. 1-85
AIR INTAKE SYSTEM	.. 1-87
CANOPY INSTALLATION	1-89
COUNTERWEIGHT INSTALLATION	. 1-91
WHEELS AND TYRES (BEAR CAT)	. 1-93
PARTS ORDERING INSTRUCTIONS	1-95
TRAINING CALENDAR	. 1-96
ADDRESSES-VOLTAS LIMITED	.. 1-97

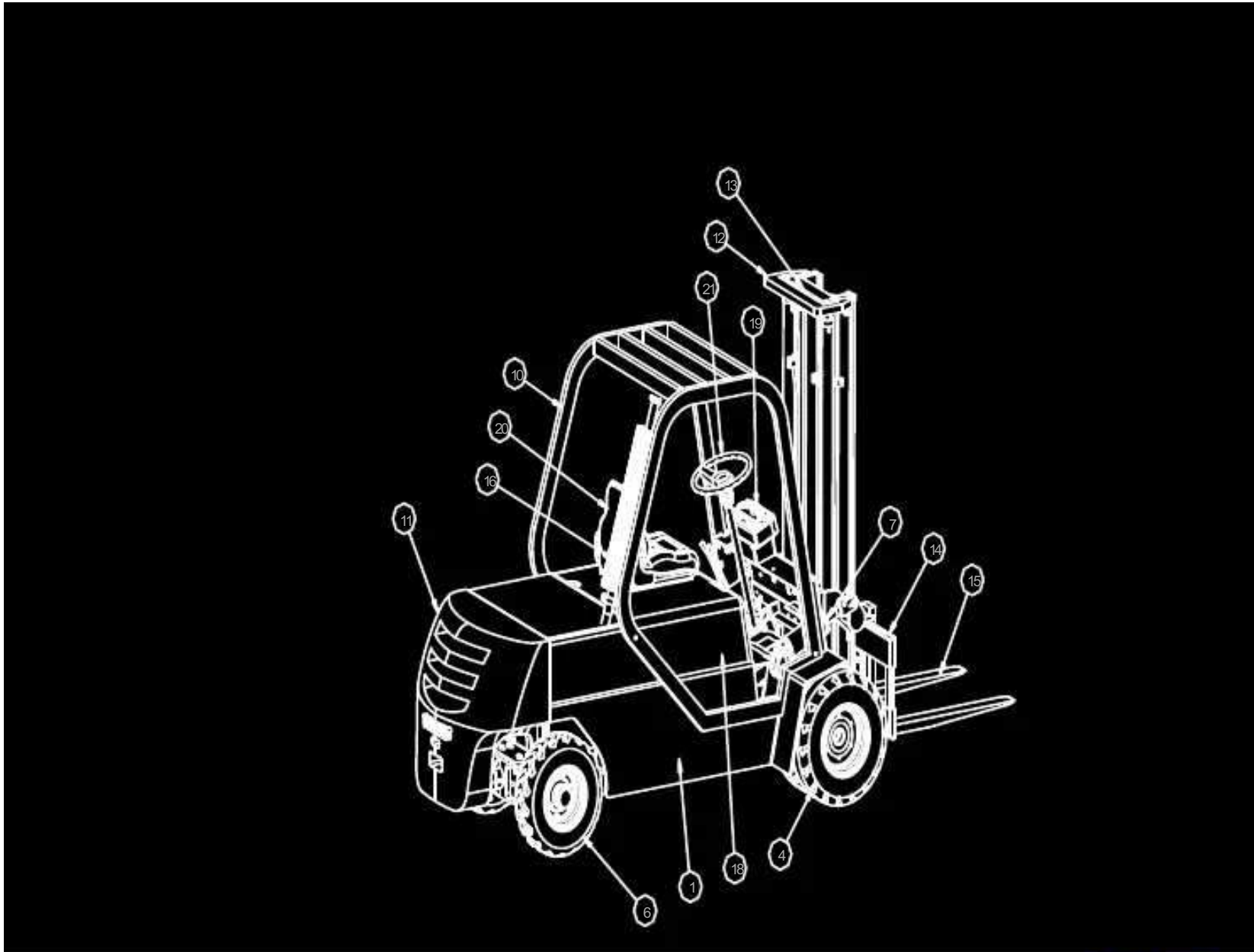


## **PARTS INFORMATION**

This Parts Manual contains complete and accurate parts replacement information available at the time of publication for the components and systems installed on a standard forklift truck and some commonly ordered options. However, Voltas reserves the right to make changes to its product at any time and the possibility exists that later changes are not included here. Please contact your local Voltas Offices if you need additional parts information

## **ATTACHMENT**

If your forklift truck was ordered with special attachments that are not covered in this Standard Parts Manual, you should contact your local Voltas Offices for Attachment Part Manuals.



## GENERAL TRUCK



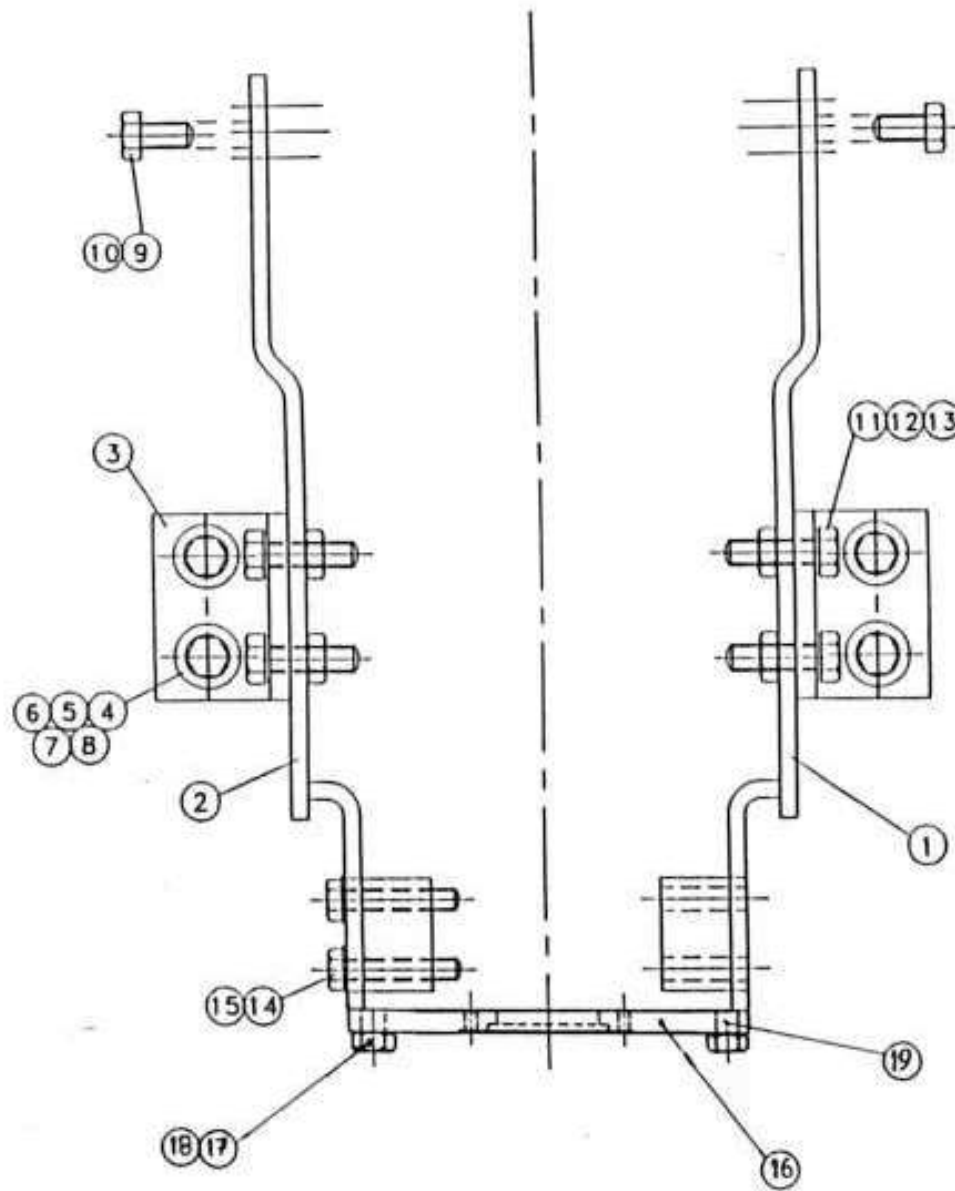
**GENERAL PARTS**

ITEM NO.	PART NO.	DESCRIPTION	QTY.
1	797301011	MAIN FRAME	1
2	13455	ENGINE - SIMPSONS S4	1
3	05176	GEAR BOX ASSLY	1
4	796416078	DRIVE WHEEL AND TYRE (BEARCAT)	2
5	796403000	STEER AXLE ASSEMBLY	1
6	796416028	TRAIL WHEEL AND TYRE (BEAR CAT)	2
	796425028	TRAIL WHEEL AND TYRE (PNEUMATIC)	
7	796414069	TILT CYLINDER ASSLY RH (WIPRO)	1
	796414099	TILT CYLINDER ASSLY RH (VOLTAS)	1
8	796414052	TILT CYLINDER ASSLY LH (WIPRO)	1
	796414089	TILT CYLINDER ASSLY LH (VOLTAS)	1
9	796407091	RADIATOR	1
10	796413000	CANOPY ASSLY	1
11	796417011	COUNTER WEIGHT	1
12	797319012	STATIONARY WELDMENT	1
13	797319062	ELEVATING WELDMENT	1
14	797320078	CARRIAGE ASSEMBLY	1
15	796620503	FORK	2
16	796410078	EXHAUST SYSTEM	1
17	796606392	2 SPOOL CONTROL VALVE INSTLN	1
18	796412112	ENGINE HOOD	1
19	796418538	INSTRUMENT PANEL ASSLY	1
20	796412512	SEAT ASSLY	1
21	796415029	STEERING WHEEL	1
22	796418042	BATTERY BRACKET	1
	785211802	12 VOLT BATTERY	1

**ITEMS NOT SHOWN**

	10136	RADIATOR UPPER HOSE	1
	066328800	RADIATOR LOWER HOSE	1
	796407052	RADIATOR PIPE OUTLET (TOP)	1
	796412523	GAS SPRING	1



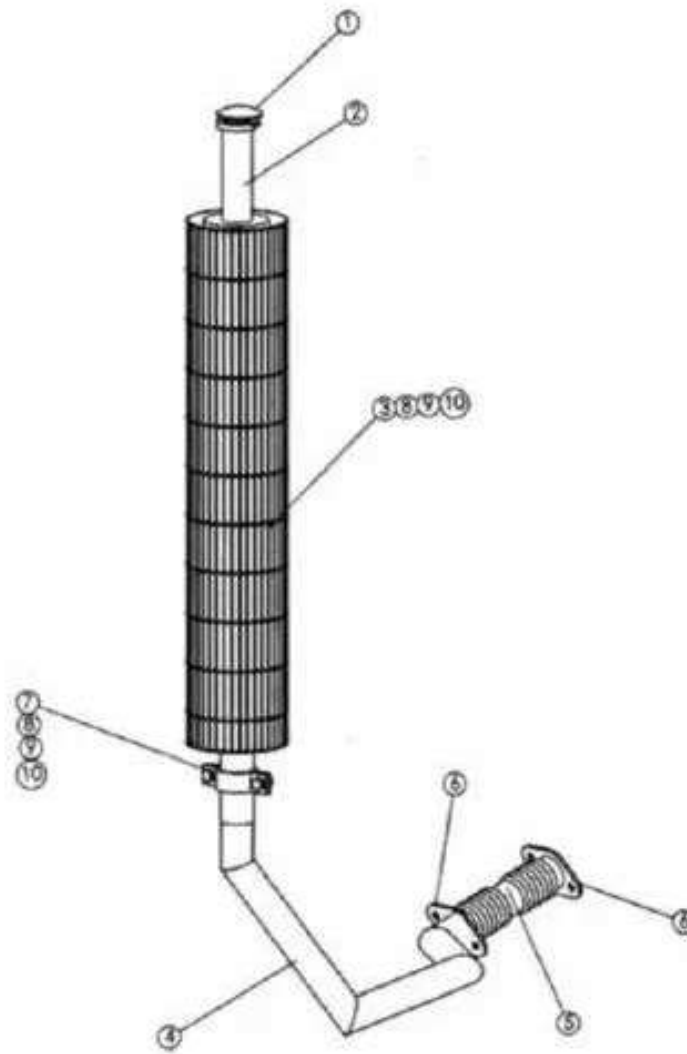


### EQUALISER BAR ASSEMBLY



### EQUALISER BAR ASSEMBLY

ITEM NO.	PART NO.	DESCRIPTION	QTY.
1	796407511	EQUALISER BAR RH	1
2	796407521	EQUALISER BAR LH	1
3	056918300	RUBBER VIB. SUPP. CASTING	2
4	056917800	RUBBER MOUNTS	4
5	785315400	HEX HD SCREW	4
6	032658800	NYLOCK NUT	4
7	056917500	SPECIAL WASHER	4
8	056917700	RUBBER WASHER	4
9	785202200	HEX HD SCREW	6
10	061278200	LOCK WASHER	6
11	057091500	HEX HD SCREW	4
12	014937400	NUT	4
13	992785644	WASHER M 12	4
14	992211257	HEX HD SCREW	8
15	061278200	LOCK WASHER	8
16	796407542	CROSS MEMBER	1
17	055485100	HEX. HD. SCREW	4
18	061278200	LOCK WASHER	4
19	016247600	DOWEL PIN	2

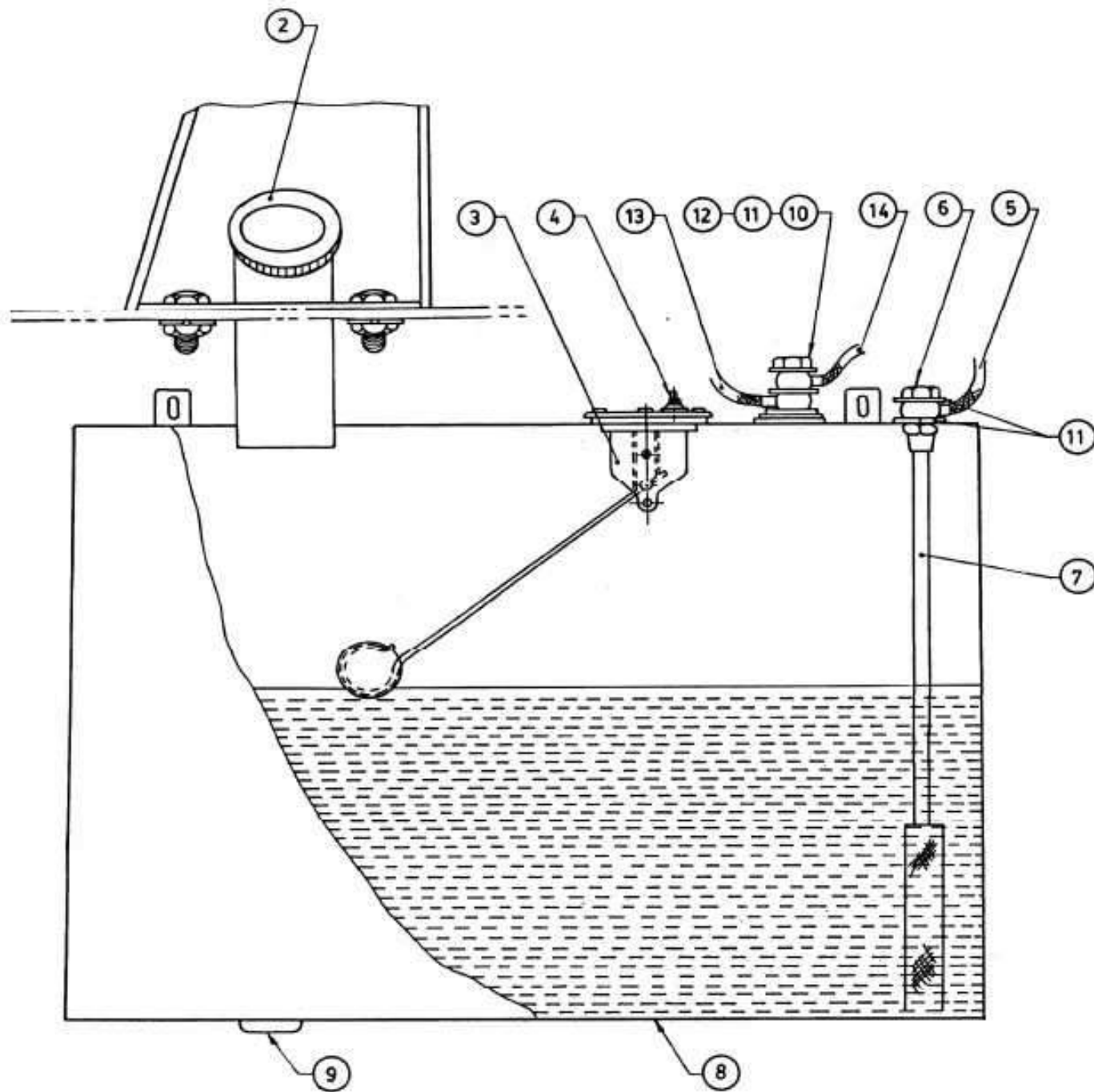


## EXHAUST SYSTEM



**EXHAUST SYSTEM**

<b>ITEM NO</b>	<b>PART NO</b>	<b>DESCRIPTION</b>	<b>QTY</b>
1	785782600	CAP - EXHAUST MUFFLER	1
2	785782700	VERTICAL EXHAUST MUFFLER	1
3	796410023	EXHAUST MESH ASSEMBLY	1
4	796410069	EXHAUST PIPE WELD' T	1
5	796410013	EXHAUST PIPE BELLOW	1
6	10242	GASKET	2
7	785205100	CLAMP	1
8	992271376	HEX SCREW M10	4
9	992761014	HEX NUT M10	4
10	992791535	SPRING WASHER	4



### FUEL TANK ASSEMBLY

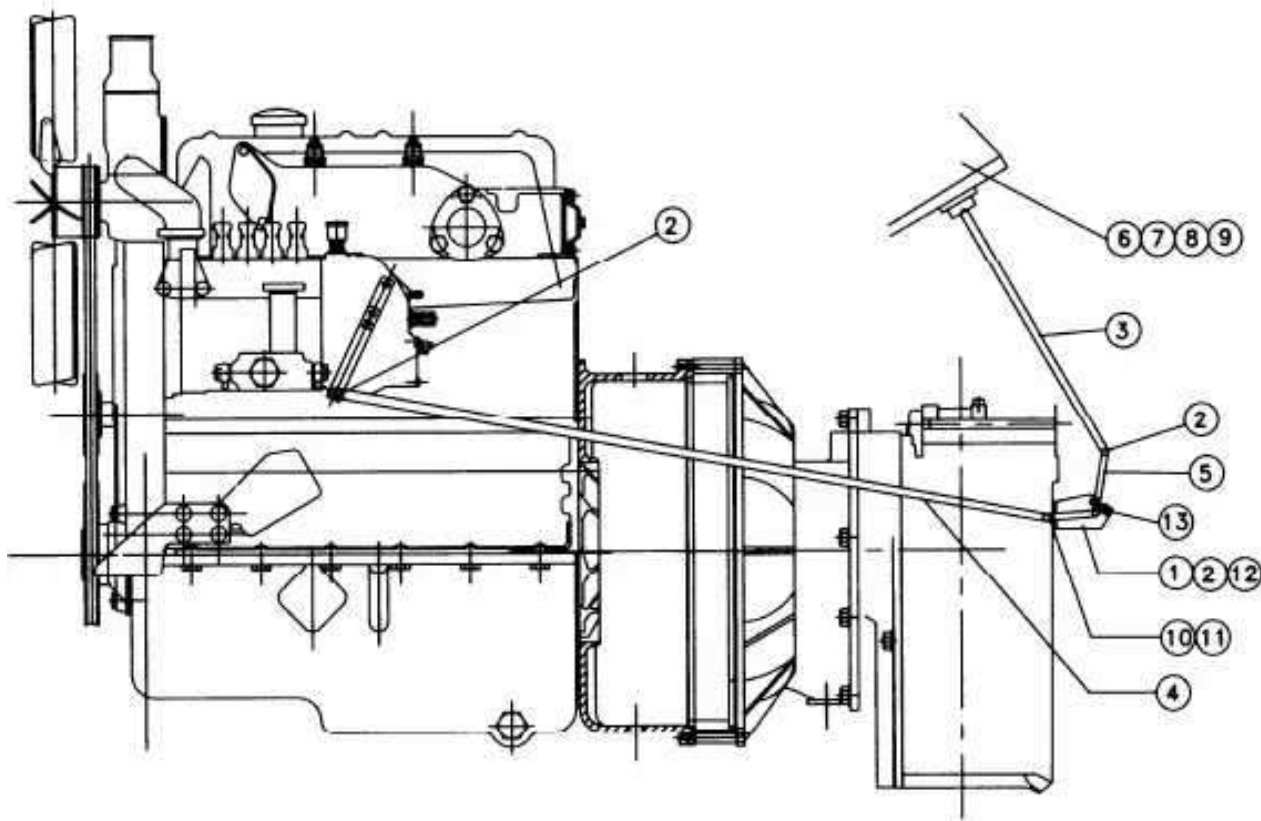


**FUEL TANK ASSEMBLY**

ITEM NO.	PART NO.	DESCRIPTION	QTY.
1	785202301	HOSE OVERFLOW (INJECTOR TO TANK)	1
2	870001084	FUEL TANK CAP ASSLY	1
3	785200400	SENSING UNIT	1
4	014875600	ROUND HEAD SCREW	6
	016107400	LEAD WASHER	6
	015832900	CUP WASHER	6
5	785202301	FUEL HOSE TANK TO ENGINE LIFT PUMP	1
	785202301	FUEL HOSE TO PREFILTER	1
6	785215000	FUEL SUCTION STRAINER SCREW	1
7	870001173	SUCTION LINE FITTING	1
8	796421011	FUEL TANK WELDMENT	1
9	785791700	DRAIN PLUG	1
10	785200804	ADAPTOR	1
11	785200803	COPPER WASHER	6
12	785200802	CAP NUT	1
13	785202301	HOSE OVERFLOW (FUEL PUMP TO TANK)	1

**HARDWARE FOR FUEL TANK MOUNTING**

	014936900	HEX NUT	2
	015029000	SPRING WASHER	2
	055486800	HEX HD. SCREW	2
	061278000	FLAT WASHER	2



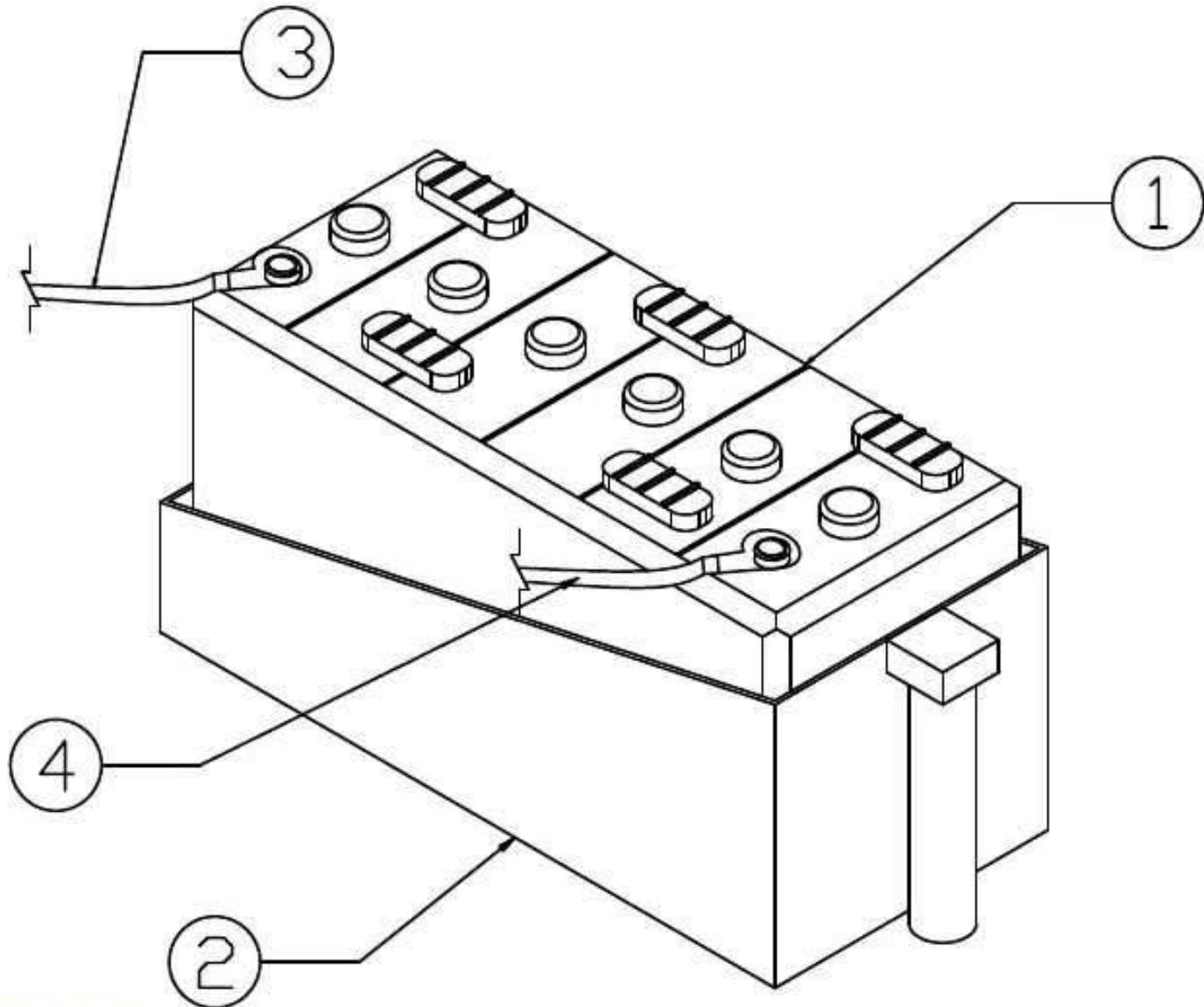
## ACCELERATOR PEDAL AND LINKAGE



**ACCELERATOR ASSEMBLY**

<b>ITEM NO.</b>	<b>PART NO.</b>	<b>DESCRIPTION</b>	<b>QTY.</b>
1	016103500	FLAT WASHER	1
2	015417900	COTTER PIN	7
3	10190	ACCELERATOR ROD	1
4	797315019	ACCELERATOR LINKAGE ROD	1
5	10194	THROTTLE CROSS SHAFT	1
6	014633200	HEX HD. BOLT	2
7	014936500	HEX NUT	2
8	015026200	WASHER	2
9	063688800	ACCLERATOR PEDAL	1
10	785763100	BALL JOINT	1
11	014939500	HEX NUT	1
12	13464	THROTTLE CROSS SHAFT BKT. WELD' T	1
13	065795400	THROTTLE CONTROL CROSS SHAFT	2



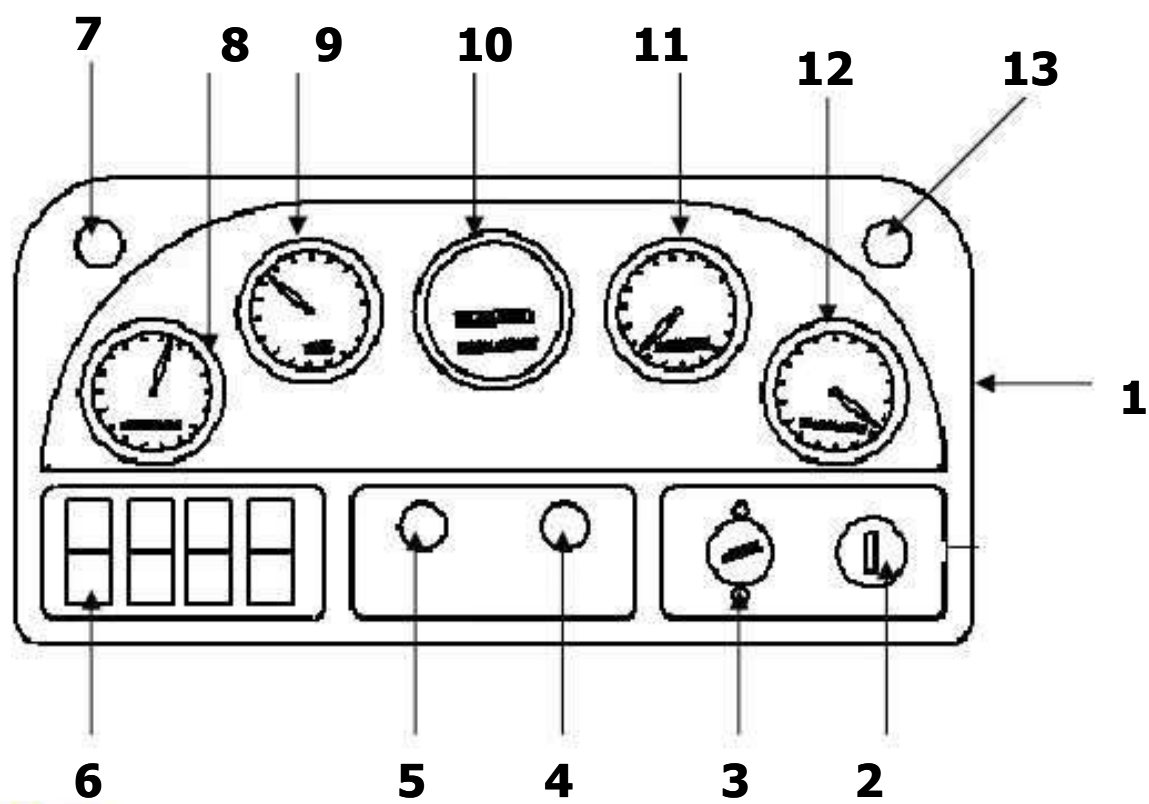


**STARTING BATTERY**



## STARTING BATTERY

ITEM NO.	PART NO.	DESCRIPTION	QTY.
1	796418042	BATTERY BRACKET	1
2	785211802	BATTERY 12 V	1
3	07519	BATTERY CABLE +VE	1
4	07520	BATTERY CABLE -VE	1



**INSTRUMENT PANEL**

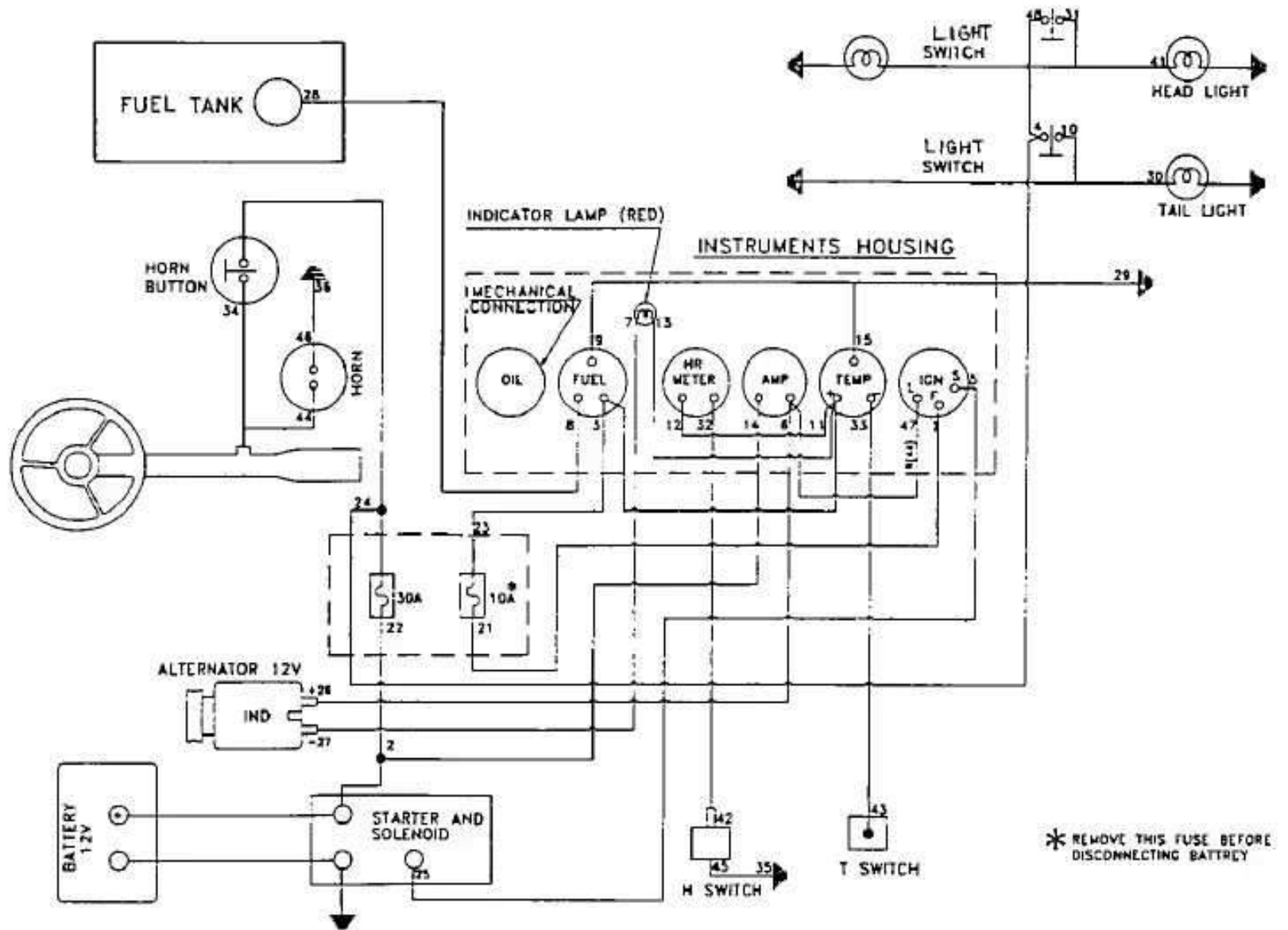


**INSTRUMENT PANEL ASSEMBLY**

ITEM NO	PART NO	DESCRIPTION	QTY
1	796418511	HOUSING - INSTRUMENT PANEL	1
2	08962	IGNITION SWITCH	1
3	785786800	PUSH BUTTON	1
4	79Z2924D1	INDICATOR LAMP - RED (TRANSMISSION)	1
5	09091	INDICATOR LAMP - RED (BATTERY CHARGE)	1
6	13175	LIGHT SWITCH (PIANO TYPE)	1
7	79Z2924D3	INDICATOR LAMP - GREEN	2
8	785207900	OIL PRESSURE GAUGE	1
9	785761600	FUEL GAUGE	1
10	785358400	ELECTRONIC HOUR METER	1
11	785761600	AMMETER	1
12	785207800	TEMPERATURE GAUGE	1
13	79Z2924D3	INDICATOR LAMP - GREEN	2

**PARTS NOT SHOWN**

	796418543	BASE - INSTRUMENT PANEL	1
	785208500	ADAPTOR FOR PRESSURE SWITCH	1
	08714	SENSOR FOR TEMPERATURE GAUGE	1
	785369400	PR. SENDING LINE WELDMENT (SHORT)	1
	785209000	ADAPTOR FOR PRESSURE SENDING LINE	1
	785369500	PR. SENDING LINE WELDMENT (LONG)	1
	015029000	LOCK WASHER FOR 3/8"	2
	060930300	HEX. HD. SCREW	2
	785208200	CLAMP - CHOKE CABLE	1
	785794700	FLAT WASHER I.D. = 22.5 °	2
	992275214	HEX SCREW M6 X 16LG	8
	992791515	SPRING WASHER M6	8
	026258600	CHOKE CABLE	1
	10217	CHOKE CABLE CLAMP	1
	11408	PRESS SWITCH - HOBBS	1



## WIRING DIAGRAM WITH ALTERNATOR

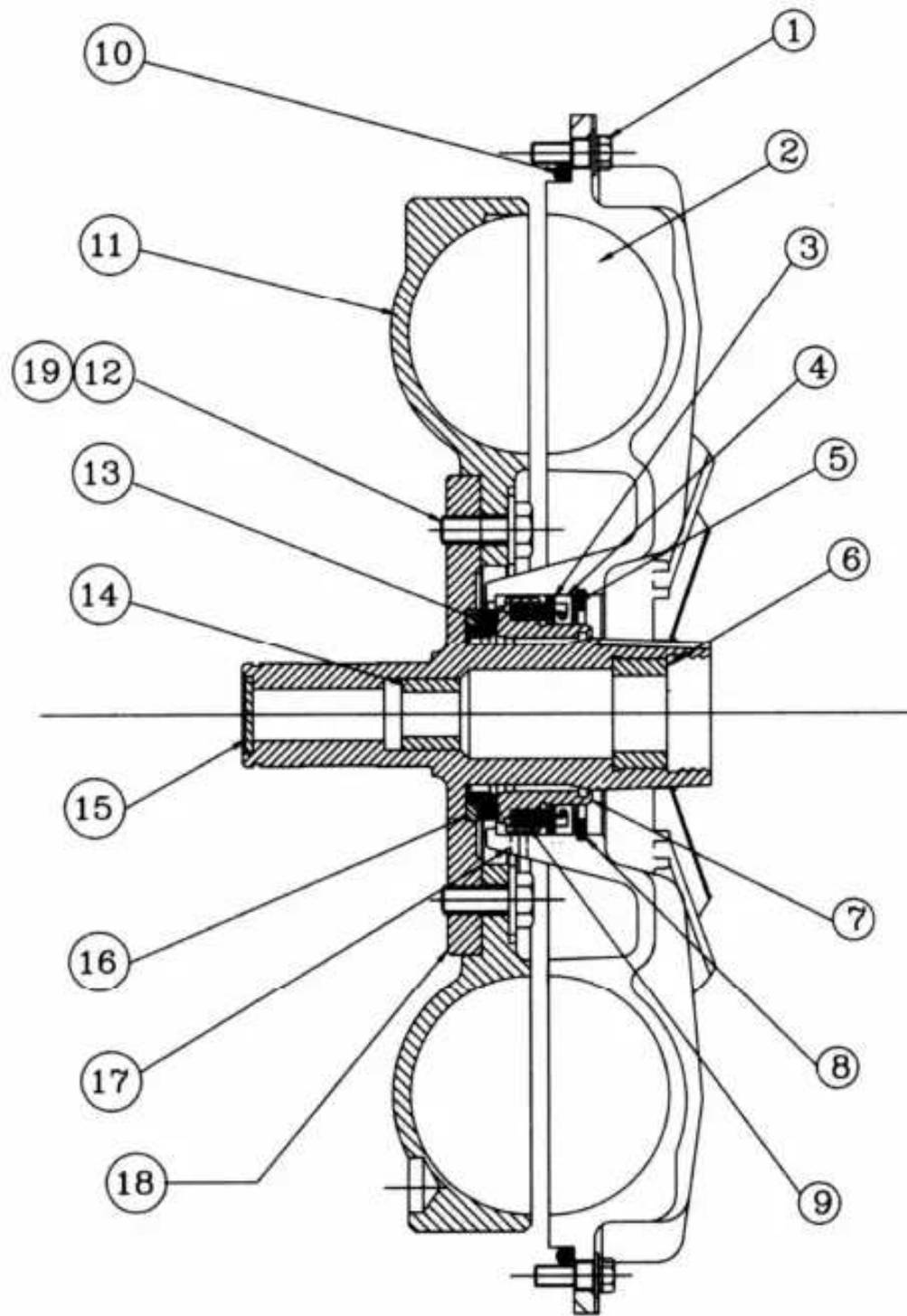


**WIRING DIAGRAM (GENERAL)**

ITEM NO	PART NO	DESCRIPTION	QTY
1	512476400	HORN	1
2	785207900	OIL PRESSURE GAUGE	1
3	785761600	FUEL GAUGE	1
4	785358400	ELECTRONIC HOUR METER	1
5	785208000	AMMETER	1
6	785207800	WATER TEMPERATURE GAUGE	1
7	08962	IGNITION SWITCH	1
8	11408	PRESSURE SWITCH (H- SWITCH)	1
	785208500	ADAPTOR FOR PRESSURE SWITCH	1
9	08714	SENSOR FOR TEMPERATURE GAUGE (T-SWITCH)	1
10	09796	FUSE BOX	1
	09718	FUSE 30 AMP	2
	10205	FUSE MOUNTING PLATE	1
	09716	FUSE 10 AMP	2
11	796418023	HEAD LIGHT (TAIL LIGHT)	3
12	796418053	INDICATOR LIGHT-FRONT	2*
13	796418063	INDICATOR LIGHT-REAR	2*
14	13174	PILOT LAMP	1*
15	795119154	DIRECTION INDICATOR LEVER	1*
16	07840	FLASHER	1*
17	796418354	WIRE HARNESS	1

**Item no.s are for reference only. Not shown in wiring diagram**

- **These items are not illustrated in circuit diagram as they are optional items.**



## FLUID COUPLING ASSEMBLY



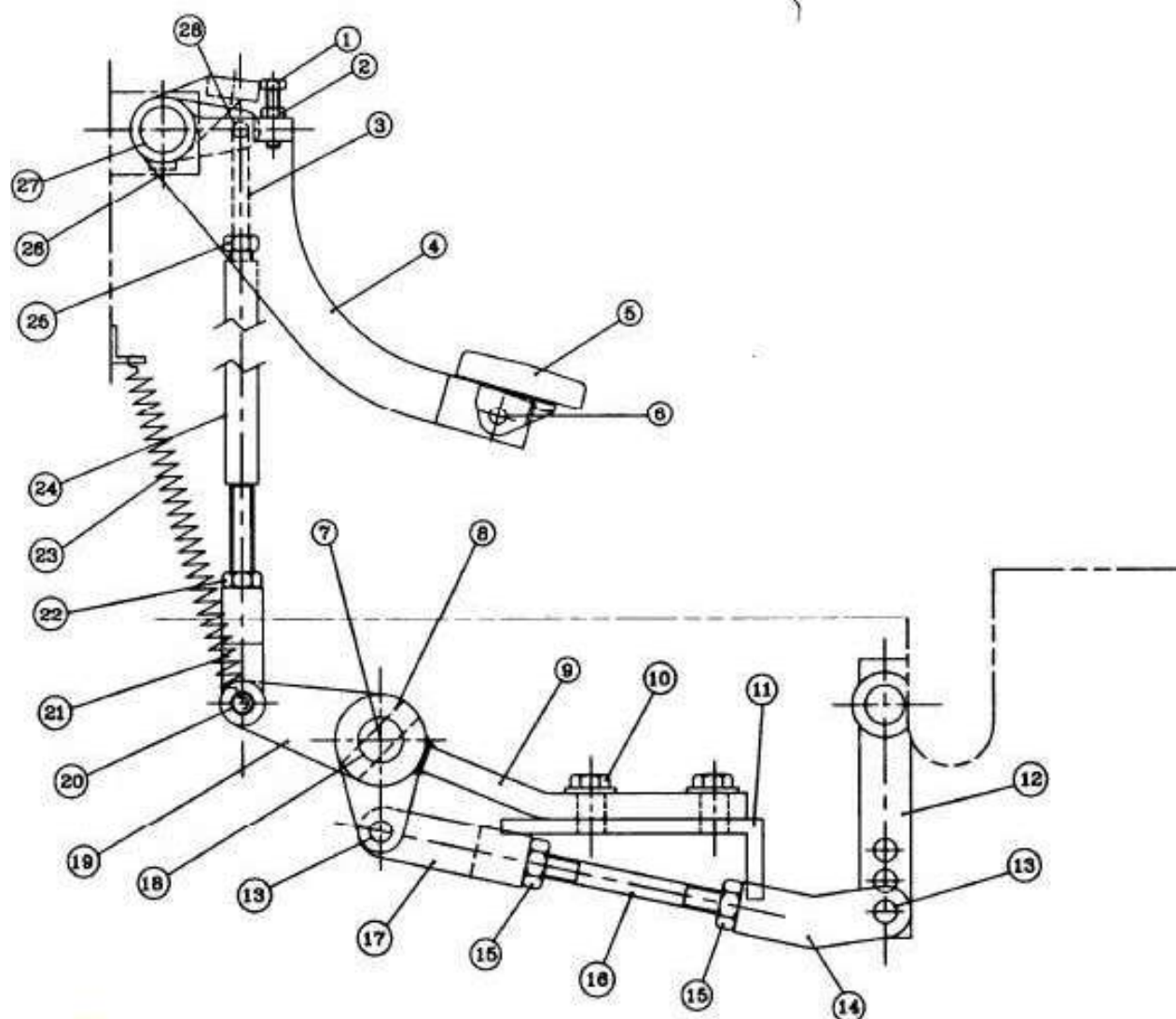


### FLUID COUPLING ASSEMBLY

ITEM NO.	PART NO.	DESCRIPTION	QTY.
1	062232800	HEX. HD. SCREW	18
	061277900	WASHER	18
2	510628800	IMPELLER	1
3	023666000	RETAINING WASHER	1*
4	016172900	RUBBER ELEMENT	1*
	015968900	GARTER SPRING	1*
5	023665900	BACKING WASHER	1*
6	016368300	BUSHING	1*
7	012334900	NOSE PIECE	1*
8	023344800	INTERNAL SNAP RING	1*
9	023411300	COMPRESSION SPRING	8*
10	500494904	RING GASKET	1
11	510622800	RUNNER	1
12	059716300	HEX. HD. SCREW	8
	061277900	WASHER	8
13	012783900	MATING RING	1*
14	016349300	BUSHING	1*
15	870000924	EXPANSION PLUG	1
16	016132300	MATING RING WASHER	1
17	510624800	HEADED PIN	1*
18	03557	HUB FOR FLUID COUPLING	1
19	09070	LOCK PLATE FOR RUNNER	4

\* Not serviced separately. Order service kit P.No. 10236 - S4



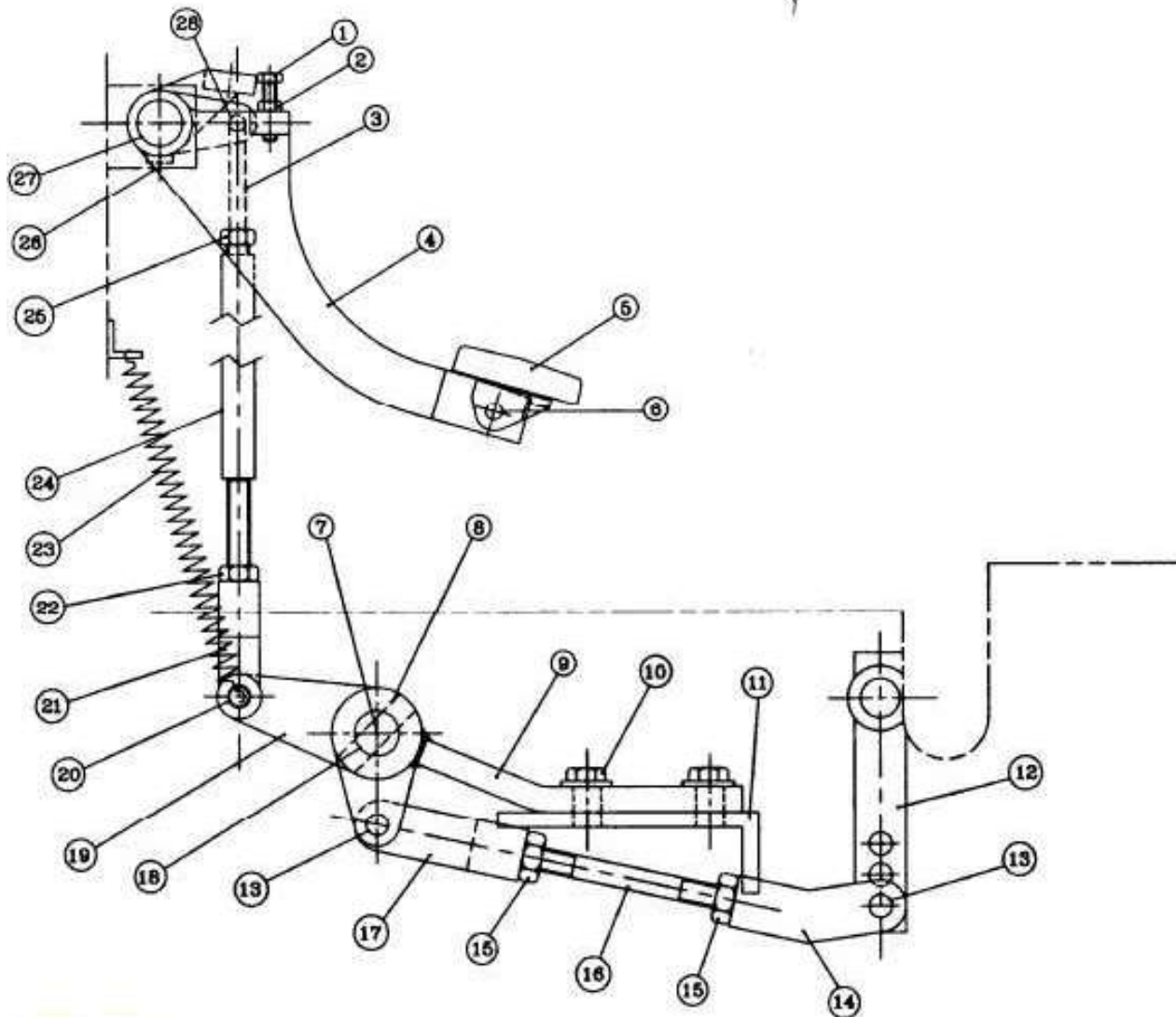


## CLUTCH PEDAL AND LINKAGE



**CLUTCH PEDAL & LINKAGE**

ITEM NO.	PART NO.	DESCRIPTION	QTY.
1	014671800	HEX. HD. SCREW	1
2	014936900	HEX. NUT	1
3	016548400	YOKE END	1
4	065376300	CLUTCH PEDAL LEVER	1
5	063681200	PEDAL PAD	1
6	062143700	HEX. HD. SCREW	1
	014936600	HEX. NUT	1
	015028900	LOCK WASHER	1
7	064597100	PIVOT PIN	1
8	062077800	ROLL PIN	1
9	504101300	BELLCRANK SUPPORT	1
10	055485100	HEX. HD. SCREW	2
	014937200	HEX. NUT	2
	061278200	WASHER	2
11	796412274	BRACKET-BELLCRANK SUPPORT	1
12	506949300	LEVER	1
13	023031500	YOKE PIN	2
	992816049	COTTER PIN	2
14	016549200	YOKE END	1
15	014973100	HEX. JAM NUT	2
16	797315029	ROD	1
17	014599100	YOKE END	1
18	011775900	BUSHING	1
19	796412283	BELL CRANK ASSEMBLY	1
20	796412294	YOKE PIN	1
	992816049	COTTER PIN	1
21	09641	YOKE END	1
22	014973100	HEX. JAM NUT	1
23	060309600	SPRING	1
24	796412303	ROD-CLUTCH ASSLY	1
25	014972700	HEX. JAM NUT	1
26	015628700	LUBE FITTING	1

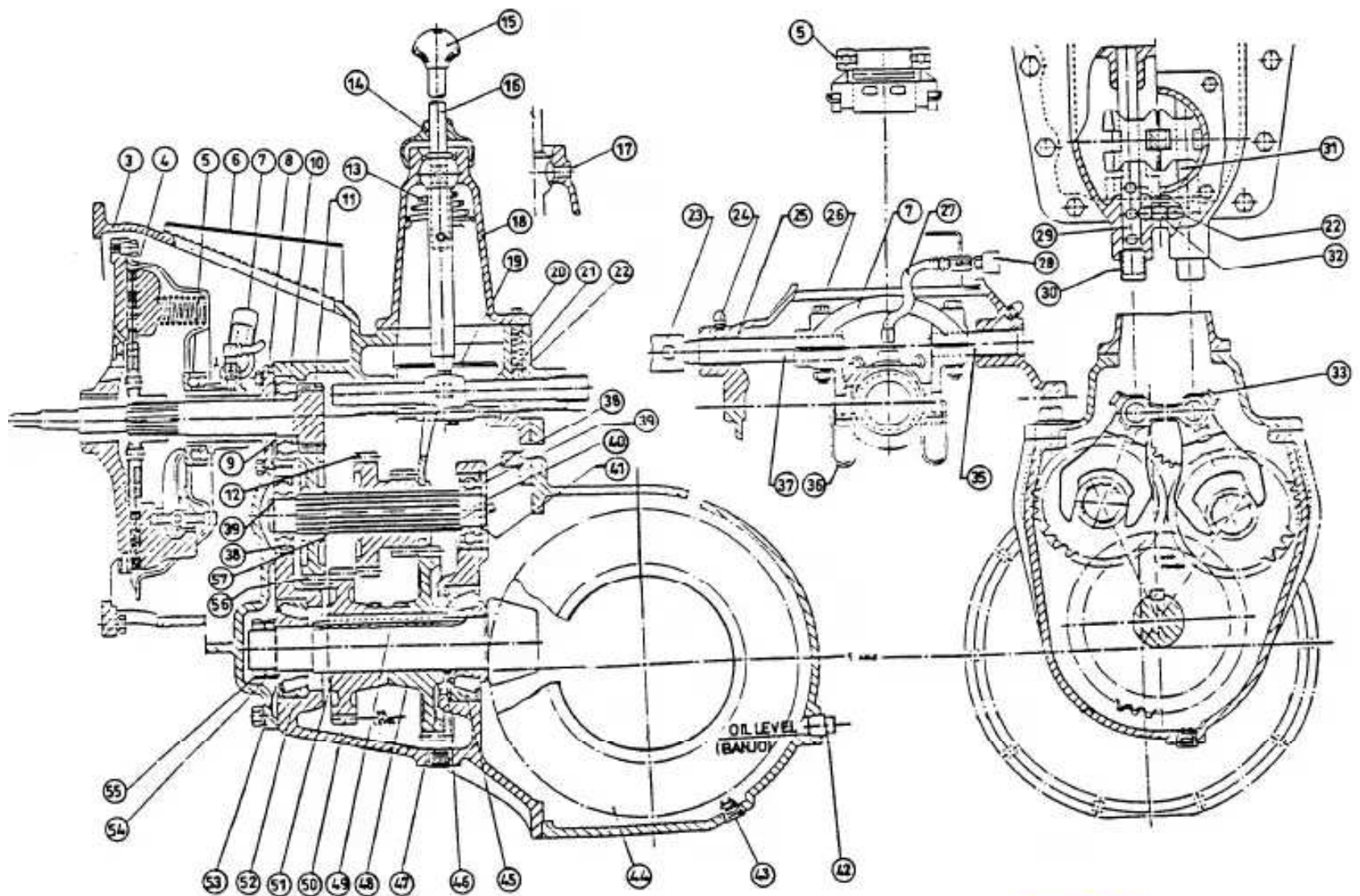


## CLUTCH PEDAL AND LINKAGE



**CLUTCH PEDAL & LINKAGE**

ITEM NO.	PART NO.	DESCRIPTION	QTY.
27	063541000	PEDAL SHAFT	1
	992816068	COTTER PIN	1
	870001234	SHIM WASHER	A/R
28	021848800	YOKE PIN	1
	992816049	COTTER PIN	1



### TRANSMISSION ASSEMBLY



TRANSMISSION ASSEMBLY

ITEM NO.	PART NO.	DESCRIPTION	QTY.
3	03045	TRANSMISSION HOUSING ASSY.	1
4	08528	CLUTCH COVER ASSY.	1
-	08529	CLUTCH DISC.	1
5	08498	CLUTCH RELEASE BEARING SLEEVE	1
-	08530	CLUTCH RELEASE BEARING	1
6	-	VENT COVER	1
-	062151100	SPRING WASHER	4
-	015026000	HEX. LOCK NUT	4
7	7857793300	SPACER	1
8	08527	BEARING SUPPORT CAP	1
-	062232800	INTERNAL CIRCLIP	5
9	992831567	EXTERNAL CIRCLIP	1
10	993312107	'O' RING	1
11	08526	DRIVE PINION SHAFT	1
12	022641200	DUAL GEAR	2
13	015953900	SPRING	1
14	014964200	DUST BOOT	1
15	016483600	LEVER KNOB	1
16	0645937	GEAR SHIFT LEVER ASSY.	1
-	785204500	GEAR SHIFT LEVER SHAFT	1
-	016474600	GEAR SHIFT LEVER	1
-	015716600	PIN	1
17	016243300	RETAINING KEY	1
18	064976000	SHIFT LEVER & SUPPORT ASSY.	1
-	015236400	LEVER SUPPORT	1
-	057048200	HEX. SCREW 3/8 UNC	4
19	05382	INTER LOCK ASSY.	1
20	015957800	SPRING FOLLOWER	2
21	015835800	SPRING FOLLOWER	2
22	01968	BALL	4





TRANSMISSION ASSEMBLY

ITEM NO.	PART NO.	DESCRIPTION	QTY.
23	01968	LEVER	1
-	060305300	HEX SCREW 3/8 UNC	1
-	014936900	HEX NUT 3/8 UNC	1
24	-	LUBE FITTING	1
-	016348700	BUSHING	2
26	062236500	HEX SCREW 3/8 UNC	2
27	019848200	LUBRICANT HOSE	1
-	056716800	ADAPTOR	1
28	018478100	GREECE CUP	1
-	018479700	SPL. ELBOW	1
29	018896700	R. H. GEAR SHIFTER BAR	1
30	015445000	GEAR SHIFTER BAR CAP	2
31	018896800	L. H. GEAR SHIFTER BAR	1
32	015720700	INTERLOCKING PIN	2
33	012717300	GEAR SHIFTER FORK	2
34	014669400	SET SCREW 5/16 UNC	2
35	015848800	CLUTCH THROW OUT SHAFT	1
36	015949400	RELEASE BEARING RETURN SPRING	1
37	015848700	CLUTCH THROW OUT SHAFT	1
38	054586100	BALL BEARING	4
39	785325100	SNAP RING	4
40	785324900	INTERMEDIATE SHAFT	2
41	-	SNAP RING	-
42	785204000	OIL LEVEL PLUG	1
43	785204100	MAGNETIC DRAIN PLUG	1
44	09094	DIFFERENTIAL RING GEAR & PINION	1
-	015139400	DIFFERENTIAL BEARING	2
-	015818800	DIFFERENTIAL BEARING RETAINER	2
-	015416100	COTTER PIN	2
45	993361060	PINION BEARING	1



TRANSMISSION ASSEMBLY

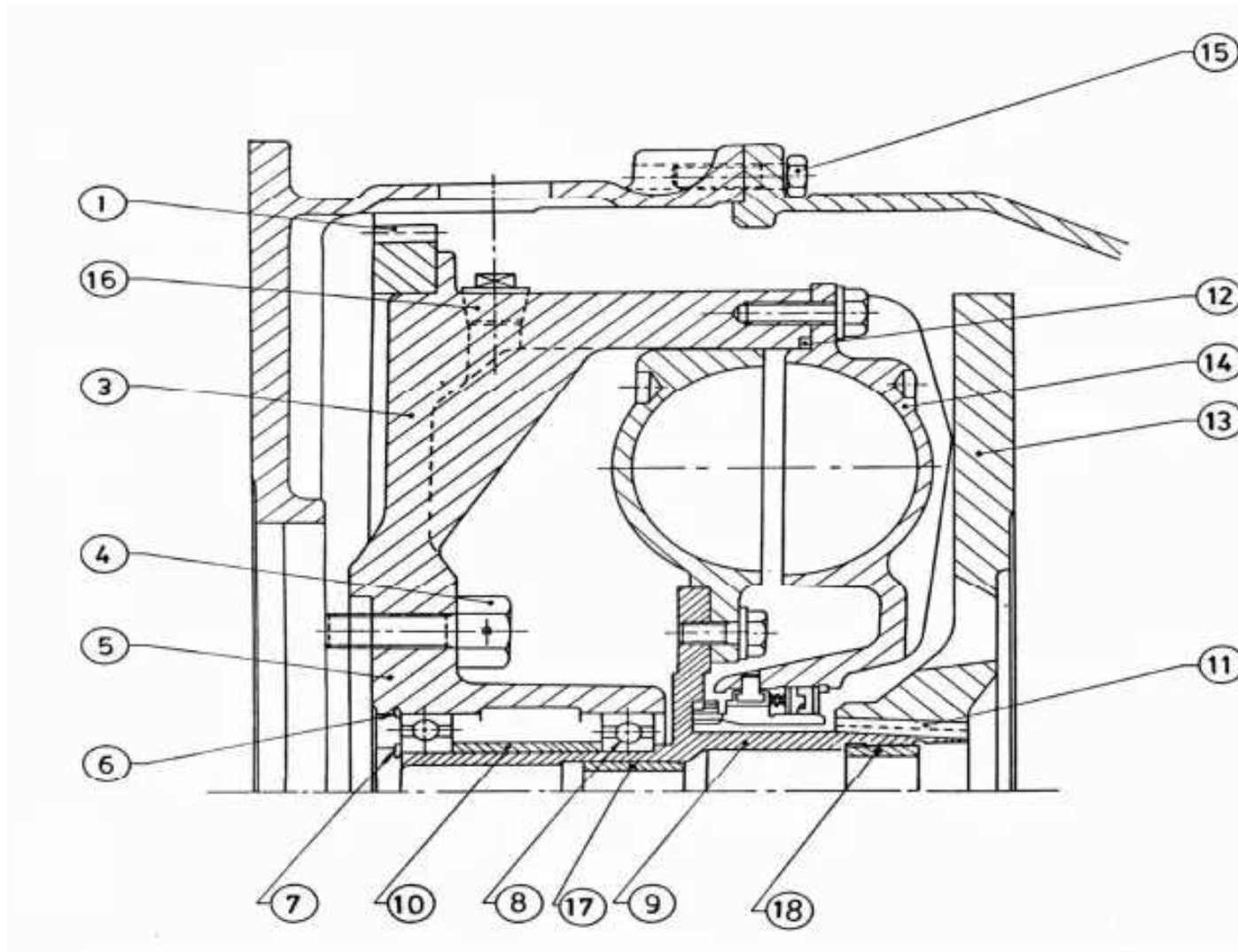
ITEM NO.	PART NO.	DESCRIPTION	QTY.
46	03903	SHIM WASHER 0.075 THICK	+ AR
-	03904	SHIM WASHER 0.070 THICK	+ AR
-	03905	SHIM WASHER 0.065 THICK	+ AR
-	03906	SHIM WASHER 0.060 THICK	+ AR
-	03907	SHIM WASHER 0.055 THICK	+ AR
-	03908	SHIM WASHER 0.050" THICK	+ AR
-	015173060	SHIM WASHER 0.100 THICK	+ AR
-	015173070	SHIM WASHER 0.105 THICK	+ AR
-	015173080	SHIM WASHER 0.110 THICK	+ AR
47	08871	GEAR SPACER	1
48	08858	LOW GEAR (42 TEETH)	1
49	9095	KEY	1
50	08859	HIGH GEAR (33 TEETH)	1
51	992831591	SNAP RING	1
52	993361178	PINION BEARING	1
53	056262200	KEYED WASHER	1
54	993396018	BEARING LOCK WASHER	1
55	993395018	BEARING LOCK NUT	2
56	015534600	INTERMEDIATE GEAR	2
57	785325200	SNAP RING	2
58	015630100	BREATHER	1

\* ITEM NO. 18 CONSISTS OF (1) 064593700, (2) 016483600,  
(3) 014196200 (4) 016246600 AND (5) 015236400.

\*\* SERVICED UNDER PART NO. 064593700

+ AR MEANS AS REQUIRED





**ENGINE TO FLUID COUPLING TRANSMISSION  
CONNECTION  
(SIMPSON S4 ENGINE)**

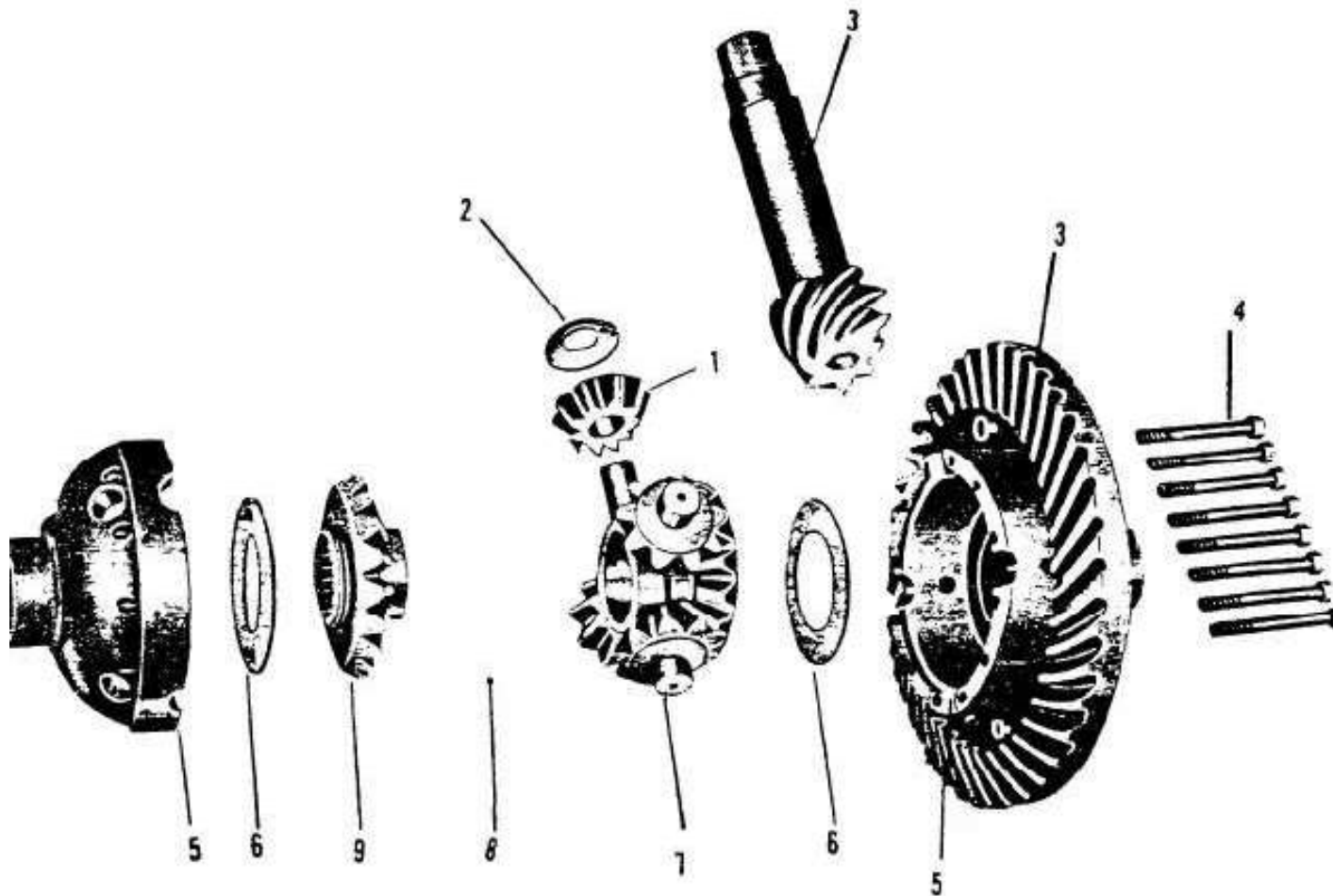


**ENGINE TO FLUID COUPLING - TRANSMISSION**

ITEM NO.	PART NO.	DESCRIPTION	QTY.
1	07545	STARTER RING	1
3	11279	FLY WHEEL	1
	785214200	LOCK WASHER	3
4	08809	SEALING WASHER	6
	992285421	HEX. BOLT	6
5	015493500	'O' RING	1
6	785776601	CIRCLIP	1
7	992835607	CIRCLIP	1
8	993311066	BALL BEARING	2
9	03557	HUB FOR FLUID COUPLING	1
10	08140	INNER SPACER	1
11	016241000	KEY	1
12	500494904	RING GASKET	1
13	08522	DRIVE PLATE	1
14	01133	FLUID COUPLING ASSLY	1
15	015029000	LOCK WASHER	12
	055486800	HEX. BOLT	9
	062236500	HEX. BOLT	3
16	785791700	PIPE PLUG	2

**ITEMS NOT SHOWN**

	014970100	NUT	1
	016139600	PLATE WASHER	1



## DIFFERENTIAL, RING GEAR & PINION ASSEMBLY

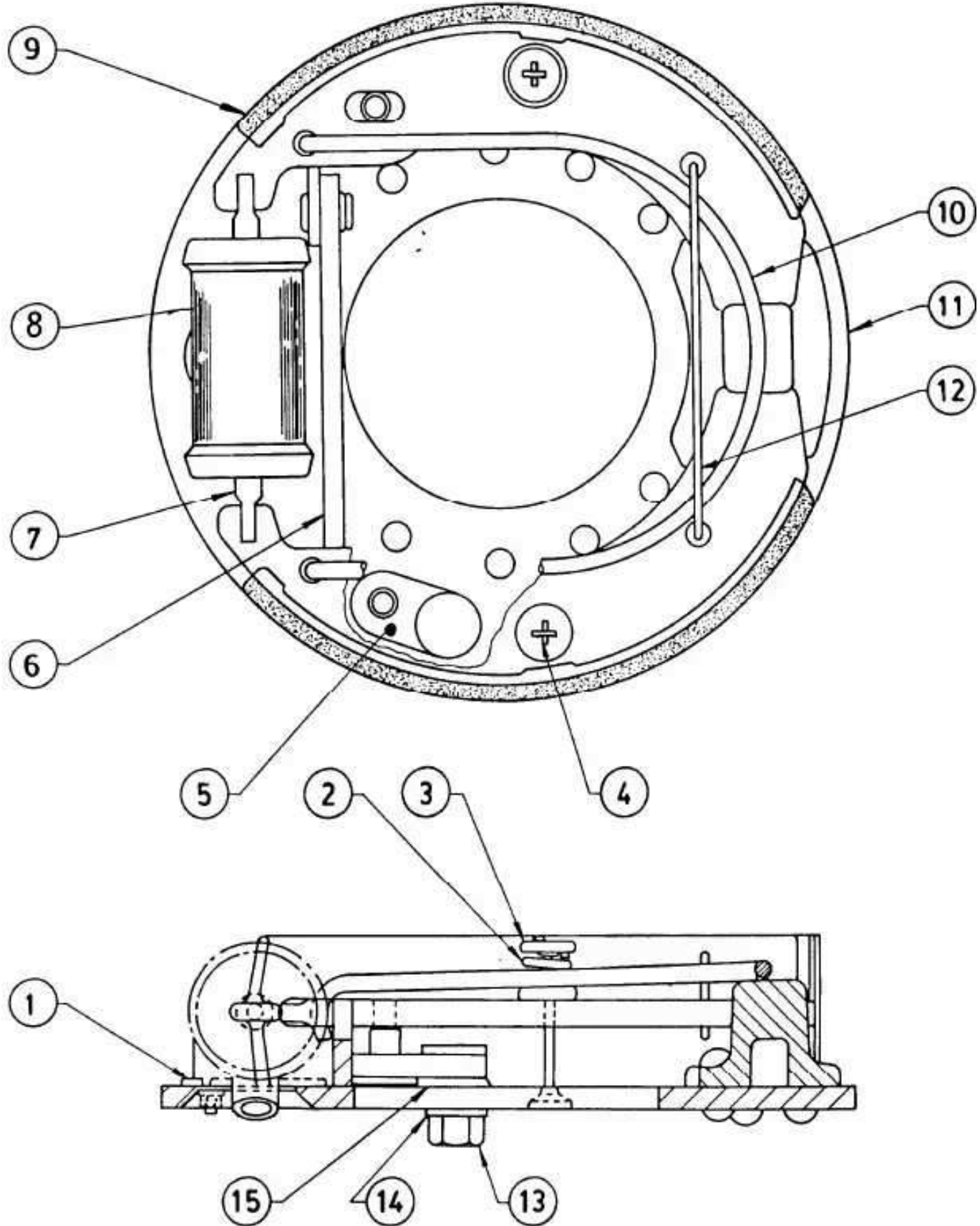


**DIFFERENTIAL, RING GEAR & PINION ASSEMBLY**

ITEM NO.	PART NO.	DESCRIPTION	QTY.
	016873800	DIFFERENTIAL WITHOUT RING GEAR & PINION	1
1	870000943	BEVEL PINION	4
2	025607600	PINION THRUST WASHER	4
3	11241	RING GEAR AND PINION ASSLY	1SET
4	033422600	HEX. HD. SCREW	12
5	870000962	DIFFERENTIAL CASE SHORT	1
	870000971	DIFFERENTIAL CASE LONG	1
6	025607500	SIDE GEAR THRUST WASHER	2
7	870000933	DIFFERENTIAL SPIDER	1
8	016113600	SPACER	1
9	870000952	BEVEL GEAR	1

**HARDWARE FOR CROWN WHEEL MOUNTING  
ON DIFFERENTIAL CASE (not shown)**

	515412100	HEX. HD. SCREW	12
	992785644	WASHER	12
	032228900	BAIL WIRE	1



## HYDRAULIC WHEEL BRAKES



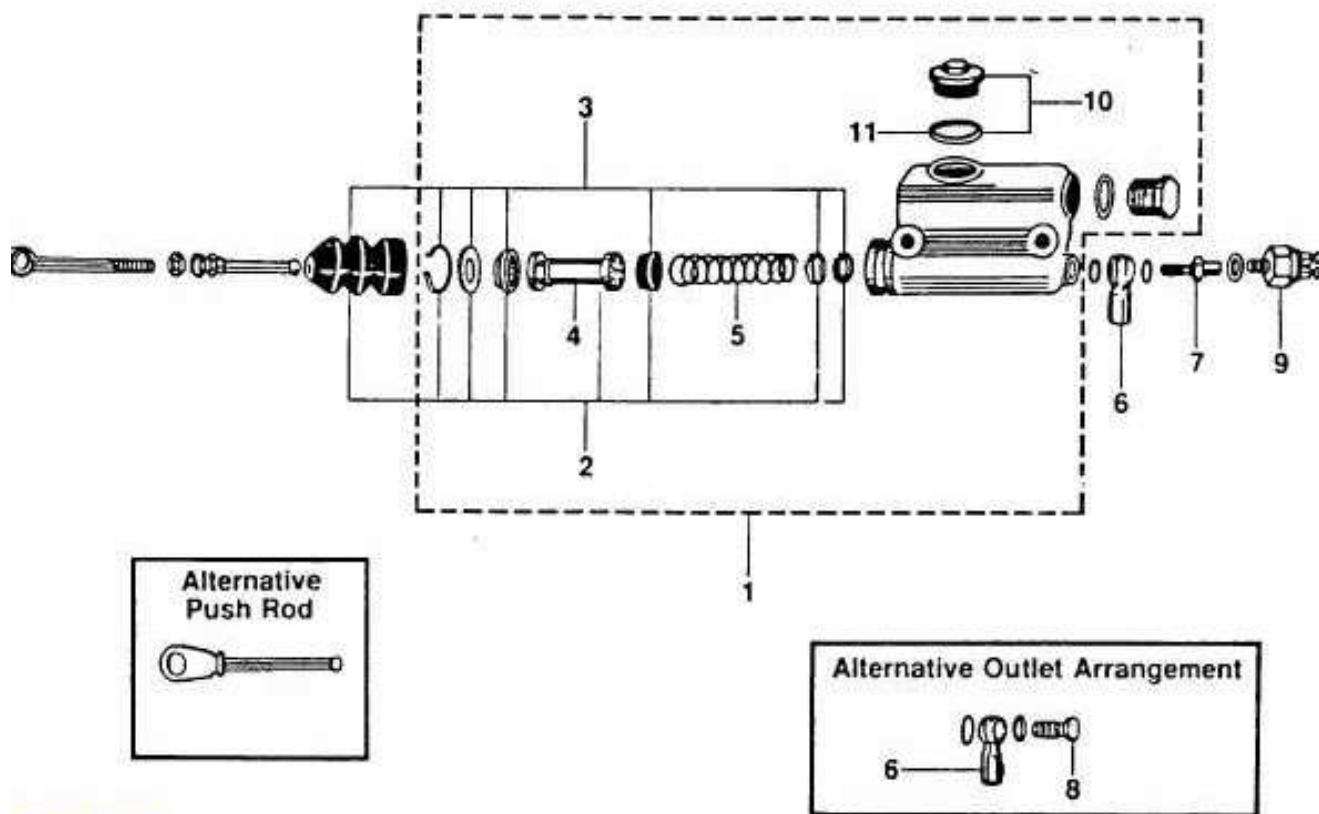
**HYDRAULIC WHEEL BRAKES**

ITEM NO.	PART NO.	DESCRIPTION	QTY.
	08549	L.H. BRAKE ASSEMBLY	1
	08550	R.H. BRAKE ASSEMBLY	1
1	065044000	CYLINDER SPACER PLATE & LEVER GUIDE	2
2	057456800	SPRING	2
3	023187000	SPRING RETAINER	4
4	506071800	ANTI RATTLE ROD	2
5	507337800	ADJUSTING PAWL KIT	1
6	065040100	R.H. CONTROL LEVER & LINK	1
	065040200	L.H. CONTROL LEVER & LINK	1
7	065092100	PUSH ROD	2
8	870001339	R.H. WHEEL CYLINDER	1
	870001303	L.H. WHEEL CYLINDER	1
		HEX. HD. SCREW	2
	015026400	LOCK WASHER	2
9	511667400	BRAKE SHOE AND LINING	2
10	065041000	BRAKE SHOE RETURN SPRING	1
11	511666401	R.H. BACKING PLATE	1
	511666402	L.H. BACKING PLATE	1
12	023411600	RETAINING SPRING	1
13	014936900	HEX NUT	2
14	061278200	HARDENED WASHER	2
15	507337802	SPRING WASHER	2

**HARDWARE FOR MOUNTING OF BRAKE BACK PLATE (not shown)**

	060305600	HEX. SCREW	8
	061278100	WASHER	8





## BRAKE MASTER CYLINDER



**BRAKE MASTER CYLINDER**

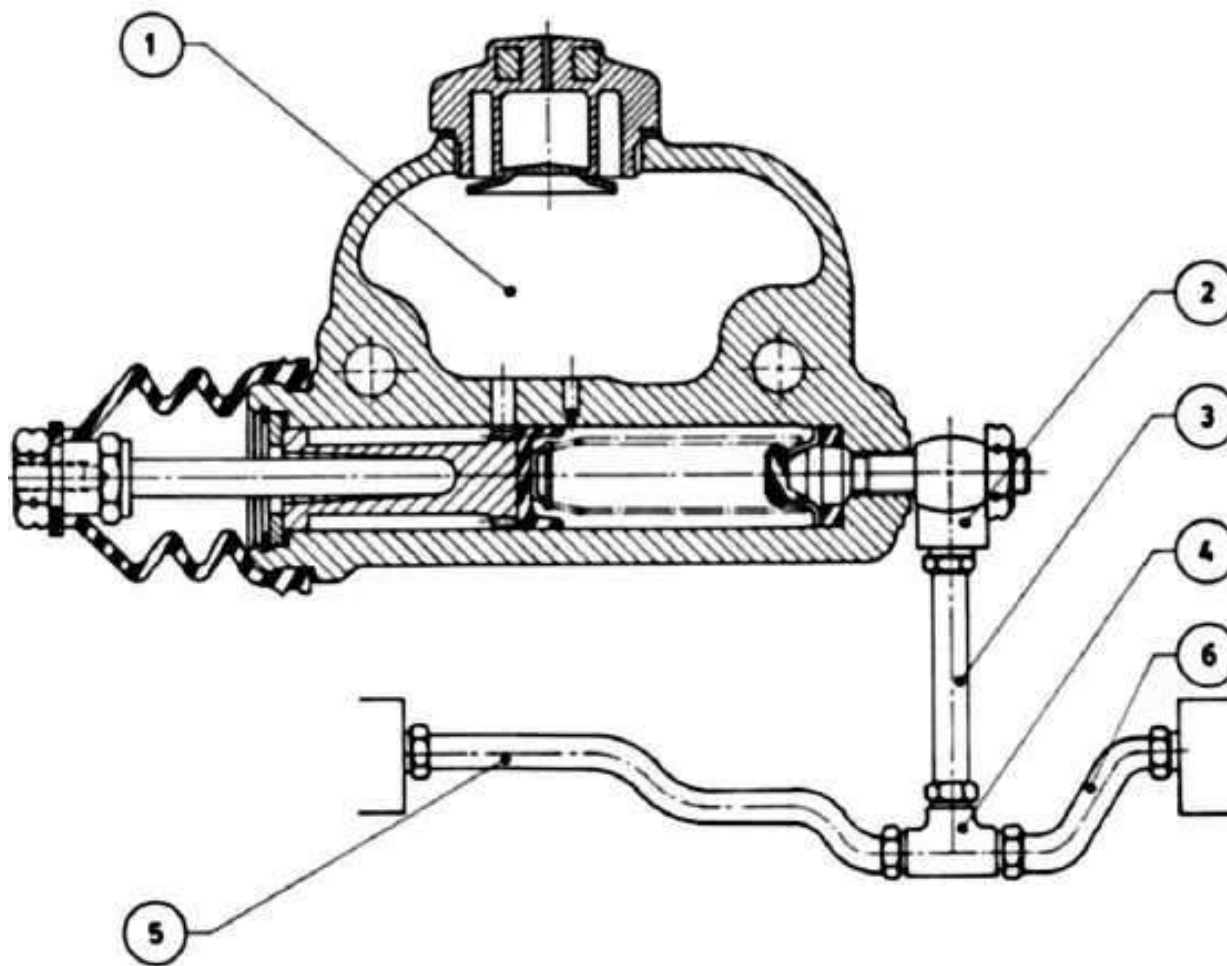
ITEM NO.	PART NO.	DESCRIPTION	QTY.
1	870001211	MASTER CYLINDER ASSEMBLY	1
2	870004099	BACK SEAL	1*
	870004139	VALVE	1*
	870004079	CIRCLIP	1*
	870004119	CUP SEAL	1*
	870004059	DUST COVER	1*
	870004089	RETAINING WASHER	1*
4	870004109	PISTON	1*
5	870004129	SPRING	1
6	870001394	BANJO	1
7	870001369	BANJO WASHER	1*
8	870001344	BANJO BOLT	1
9	88995	STOP LIGHT SWITCH WITH WASHER	1
10	870004169	FILLER CAP	1
11	870004179	GASKET (FILLER CAP)	1*

**ITEMS NOT SHOWN**

	870001379	WASHER	1*
	870004059	PUSH ROD	1
	870001224	ROD END	1
	870001359	LOCK NUT	1
	870004149	VALVE SEAT	1*
	870004159	BODY MASTER CYLINDER	1
	870001659	KIT MASTER CYLINDER	
	870002609	KIT MASTER CYLINDER	1

**\* Order kit Master Cylinder 870002609 only.**



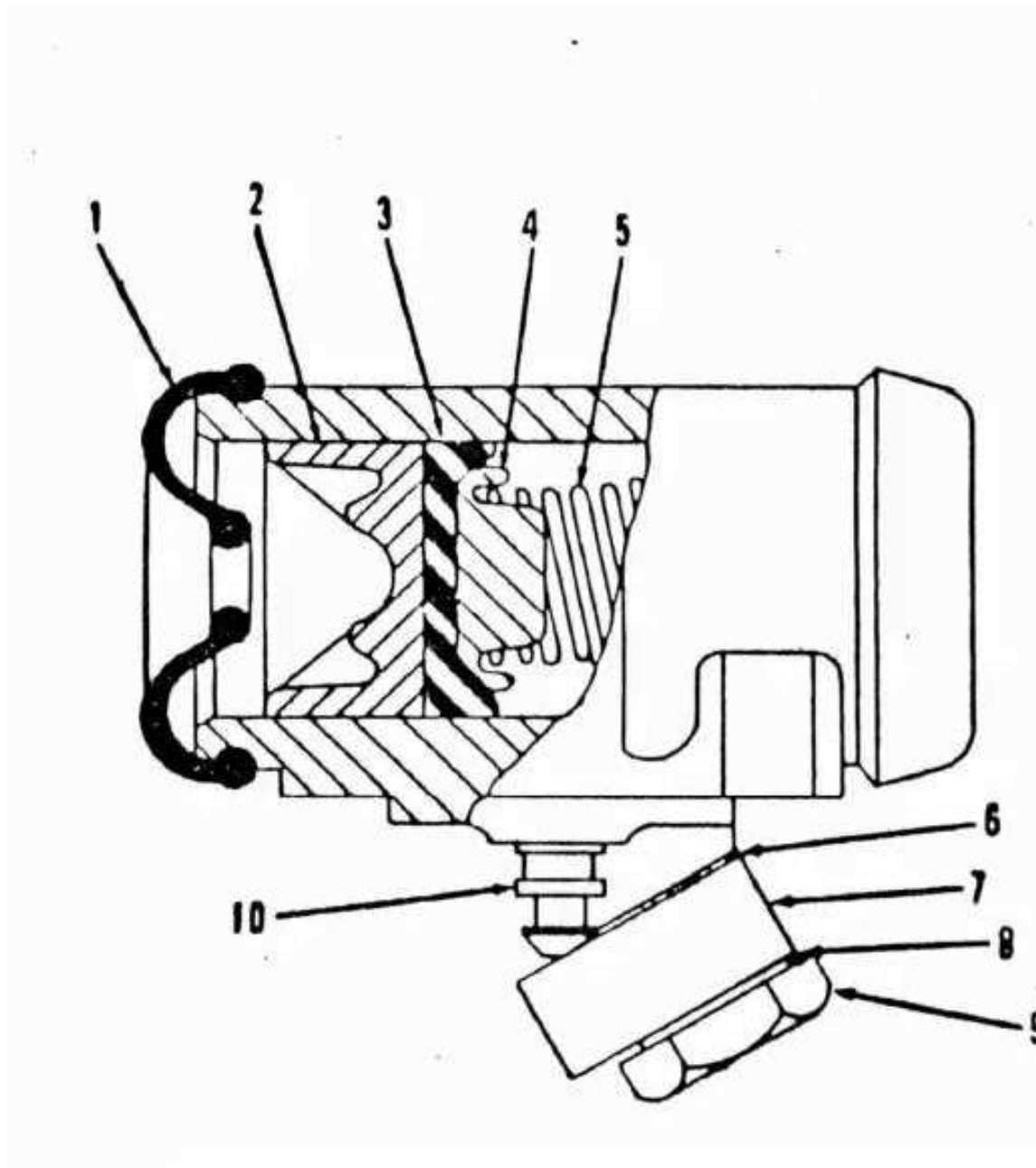


**BRAKE TUBE ASSEMBLY DIAGRAM**



**BRAKE TUBE ASSEMBLY**

ITEM NO	PART NO	DESCRIPTION	QTY.
1	870001211	MASTER CYLINDER	1
2	870001394	BANJO ADAPTOR	1
3	785766401	FLEXIBLE HOSE	1
4	013370100	TEE	1
5	507305400	L.H. BRAKE TUBE	1
6	506363300	R.H. BRAKE TUBE	1



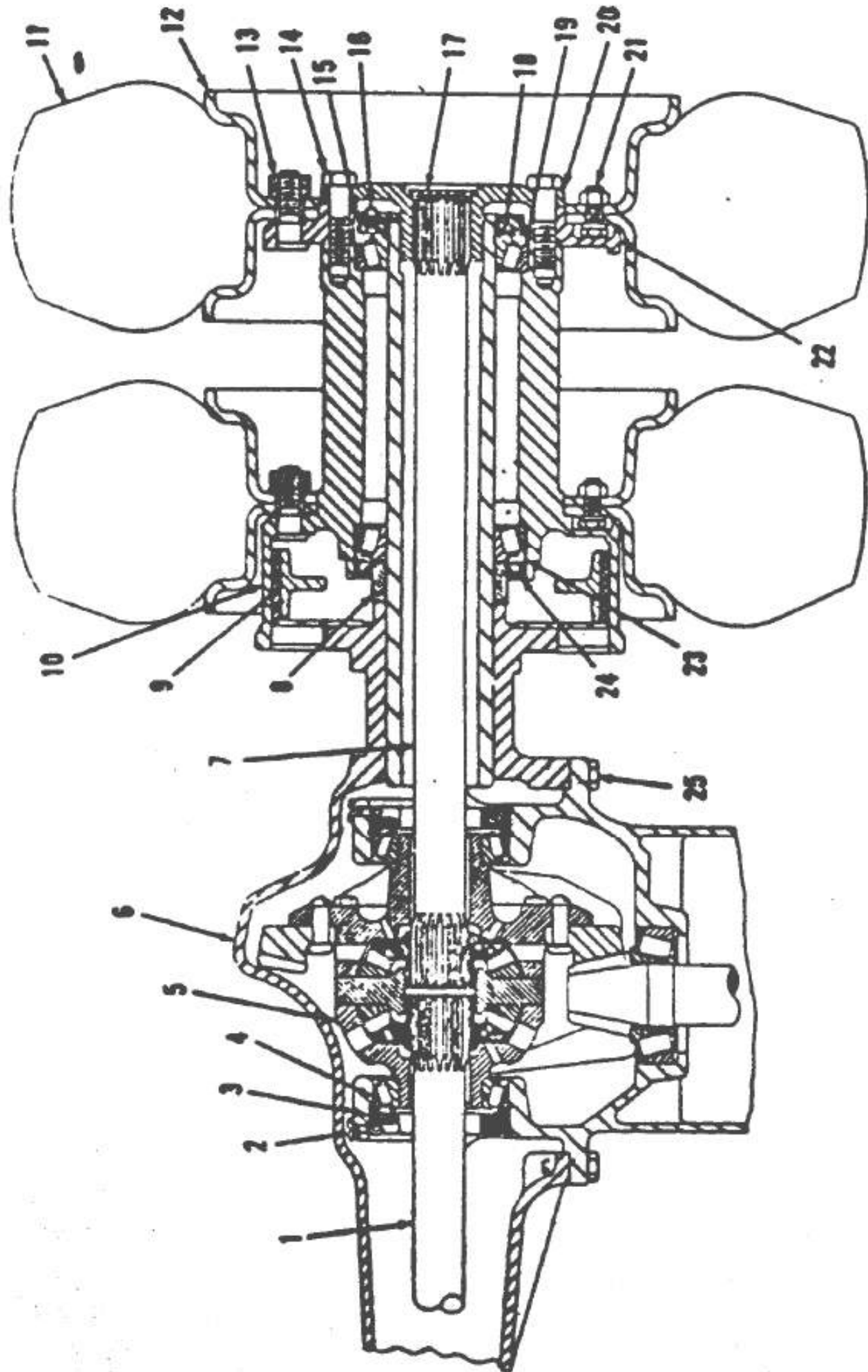
**HYDRAULIC WHEEL CYLINDER**



**HYDRAULIC WHEEL CYLINDER**

ITEM NO	PART NO	DESCRIPTION	QTY
	870001339	R.H. WHEEL CYLINDER	1
	870001303	L.H. WHEEL CYLINDER	1
1	870001989	BOOT	2*
2	870001999	PISTON	2
3	870002009	PISTON CUP	2*
4	870002019	FILLER CUP	2
5	870002029	SPRING	1
6	015489300	GASKET	1
7	013389600	INLET FITTING	1
8	015489100	GASKET	1
10	014788300	BLEEDER SCREW	1

**\* Not serviced separately. Order Repair Kit P.No. 061378000**



DRIVE AXLE ASSEMBLY (For 060, Dual Tyres)



**DRIVE AXLE ASSEMBLY (FOR DUAL TYRES)**

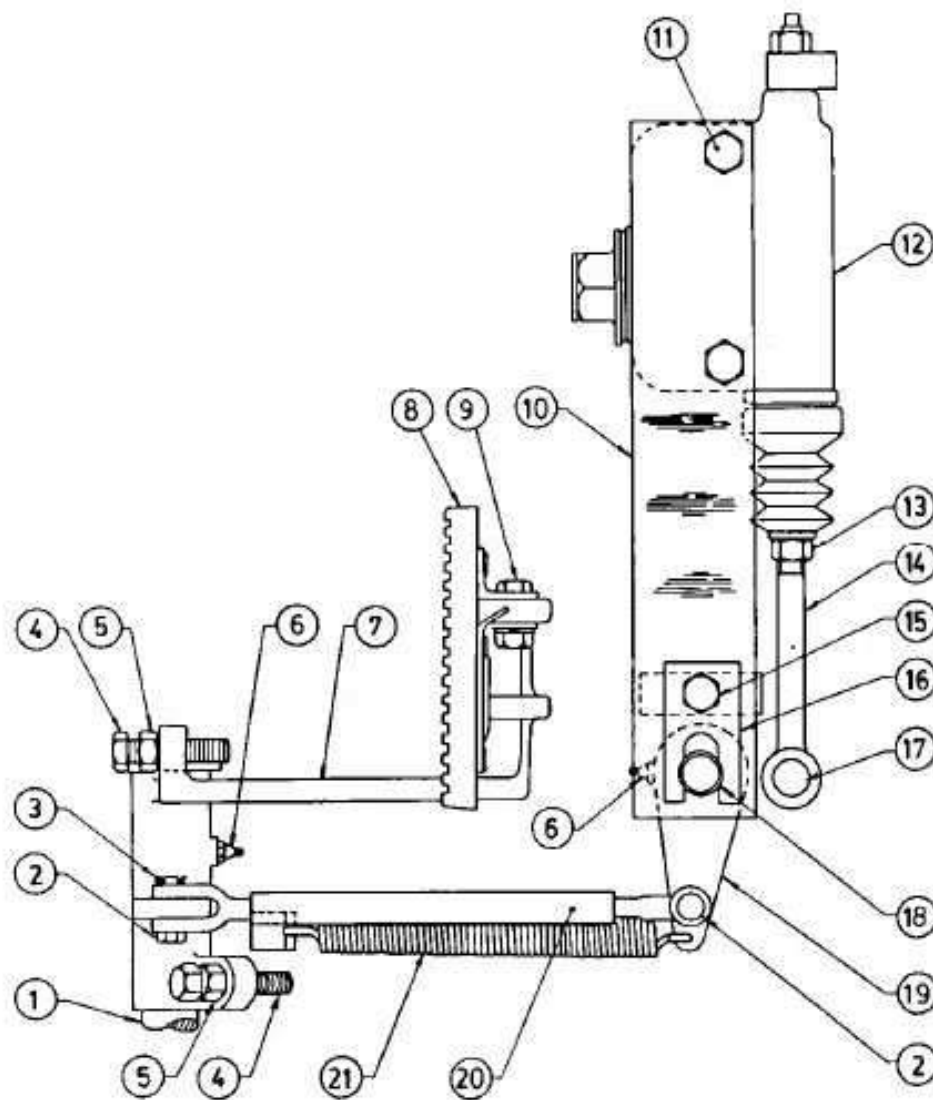
ITEM NO.	PART NO.	DESCRIPTION	QTY.
1	797302029	LONG DRIVE SHAFT	1
2	015416400	COTTER PIN	2
3	015818800	BEARING RETAINER	2
4	015139400	DIFFERENTIAL BEARING	2
5	09094	DIFFERENTIAL ASSEMBLY	1
6	797302019	DRIVE AXLE HOUSING	1
	797308029	SLEEVE	2
	785204100	PIPE PLUG	1
	785204700	PIPE PLUG	1
	785204000	PIPE PLUG	1
	015630100	AIR VENT	1
7	797302039	SHORT DRIVE SHAFT	1
8	07667	SPACER RING	2
9	059074900	HEX. HD.SCREW 7/16 14 UNC X 1 lg SAE Gr-5	12
10	07576	HUB & BRAKE DRUM 8 HOLES	12
	056663400	TYRE , TUBE & FLAB GROUP 7.00X12	4
	056663500	TYRE	4
	056663600	TUBE ORDER 056663400	4
	056663700	FLAB	4
OR	785765901	CUSHION (Non Pneumatic) Tyre 7.00 X 12	
12	785231102	RIM ASSEMBLY (PNEUMATIC /BEARCAT)	4
13	791340034	WHEEL STUD	24
	08724	WHEEL NUT	24
	08725	SPRING WASHER	24
14	057699900	HEX. HD SCREW 5/8 unc X 2 ½ lg SAE Gr-5	16
15	785256600	LOCKING BLOCK	2
16	992372212	FIL .HD.SCREW M16 X 12 lg	2
	015028800	LOCKWASHER FOR ¼ DIA.	2
17	870002234	WESH PLUG	2
18	00205	WHEEL NUT	2
19	993361146	WHEEL BEARING	4
20	07565	HUB FLANGE 8 HOLES	2



**DRIVE AXLE ASSEMBLY ( FOR DUAL TYRE )**

ITEM NO.	PART NO.	DESCRIPTION	QTY.
21	785295700	SPL.HD.SCREW M12x1.5-30.5 lg	20
	785764100	HEX.NUT M12 x 1.25	20
	992791545	FLAT WASHER	20
	785760700	HEX. SCREW M10x1.5-16 lg	8
22	500753100	ADAPTOR RING & BOLT ASSEMBLY	2
	062760100	ADAPTOR PLATE	2
	791340034	WHEEL BOLT	12
24	09608	OIL SEAL	2
25	055485000	HEX.HD.SCREW ½ 13x 1 ¼ lg SAE Gr-5	8*
	059694600	HEX.HD.SCREW ½ 13x 1 ¼ lg SAE Gr-5	2*
	059117400	PEDESTAL CAP SCREW	4*





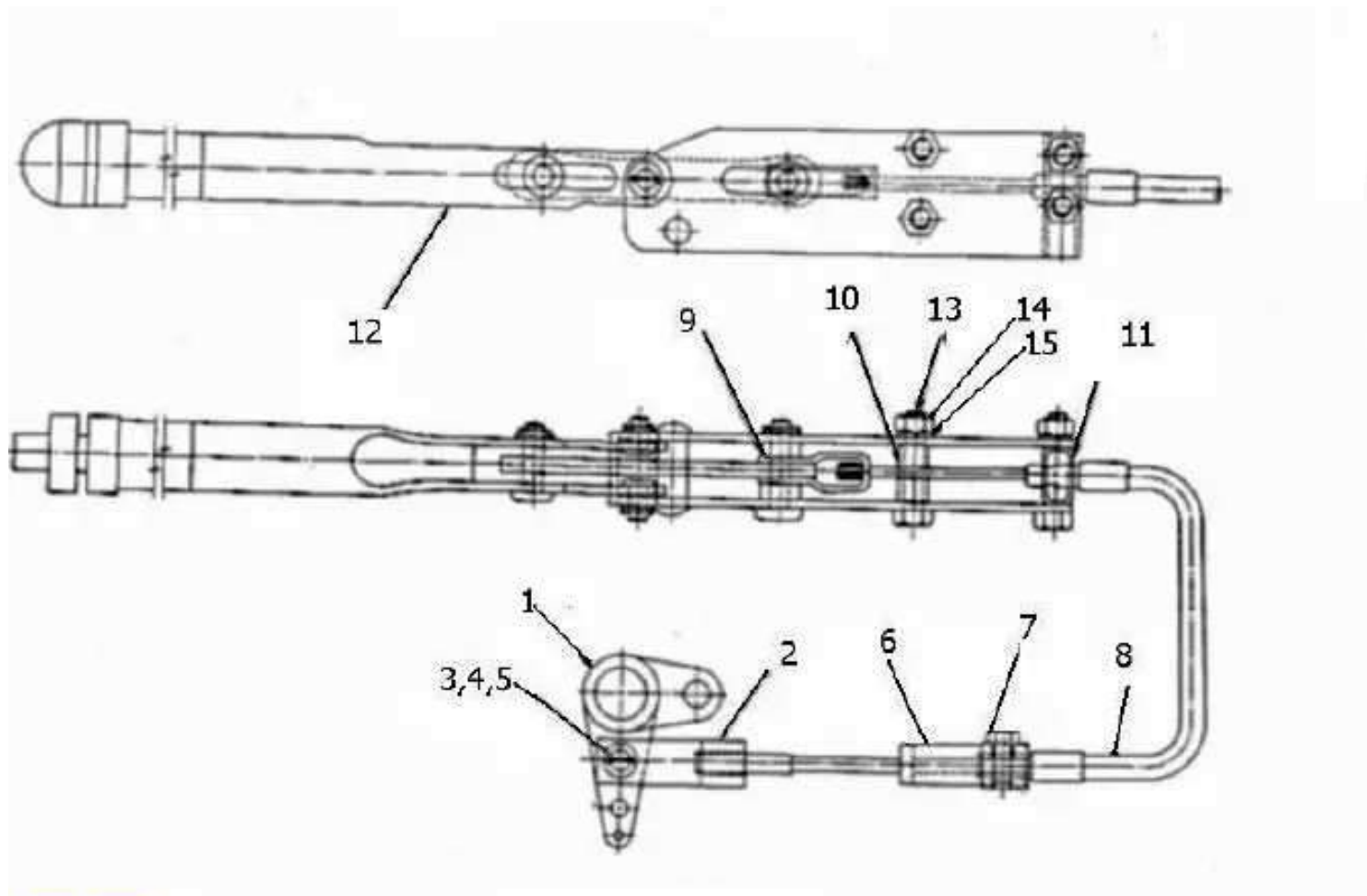
**BRAKE PADEL AND LINKAGE**





**BRAKE PEDAL AND LINKAGE**

ITEM NO	PART NO	DESCRIPTION	QTY
1	063541000	BRAKE PEDAL SHAFT	1
2	021848800	YOKE PIN	2
3	015416100	COTTER PIN	2
4	014671800	HEX. HD. SCREW	1
5	014936900	HEX. NUT	1
6	015628700	LUBE FITTING	3
7	065376200	BRAKE PEDAL LEVER	1
8	063681200	PEDAL PAD	2
9	062143700	HEX. HD. SCREW	2
	014936600	HEX. NUT	2
10	<del>015928900</del> 063541300	WASHER SUPPORT PLATE	2
11	060930300	HEX. HD. SCREW	2
12	870001211	MASTER CYLINDER	1
13	870001359	HEX. JAM NUT	1
14	870001224	ROD END	1
15	058941300	HEX HD. SCREW	1
16	502383100	RETAINER	1
17	014607000	ROD END PIN	1
	992816069	COTTER PIN	1
18	07605	LOCKING PIN	1
19	063542700	BELL CRANK	1
20	063681000	CONNECTING ROD	1
21	060309600	PEDAL RETURN SPRING	1

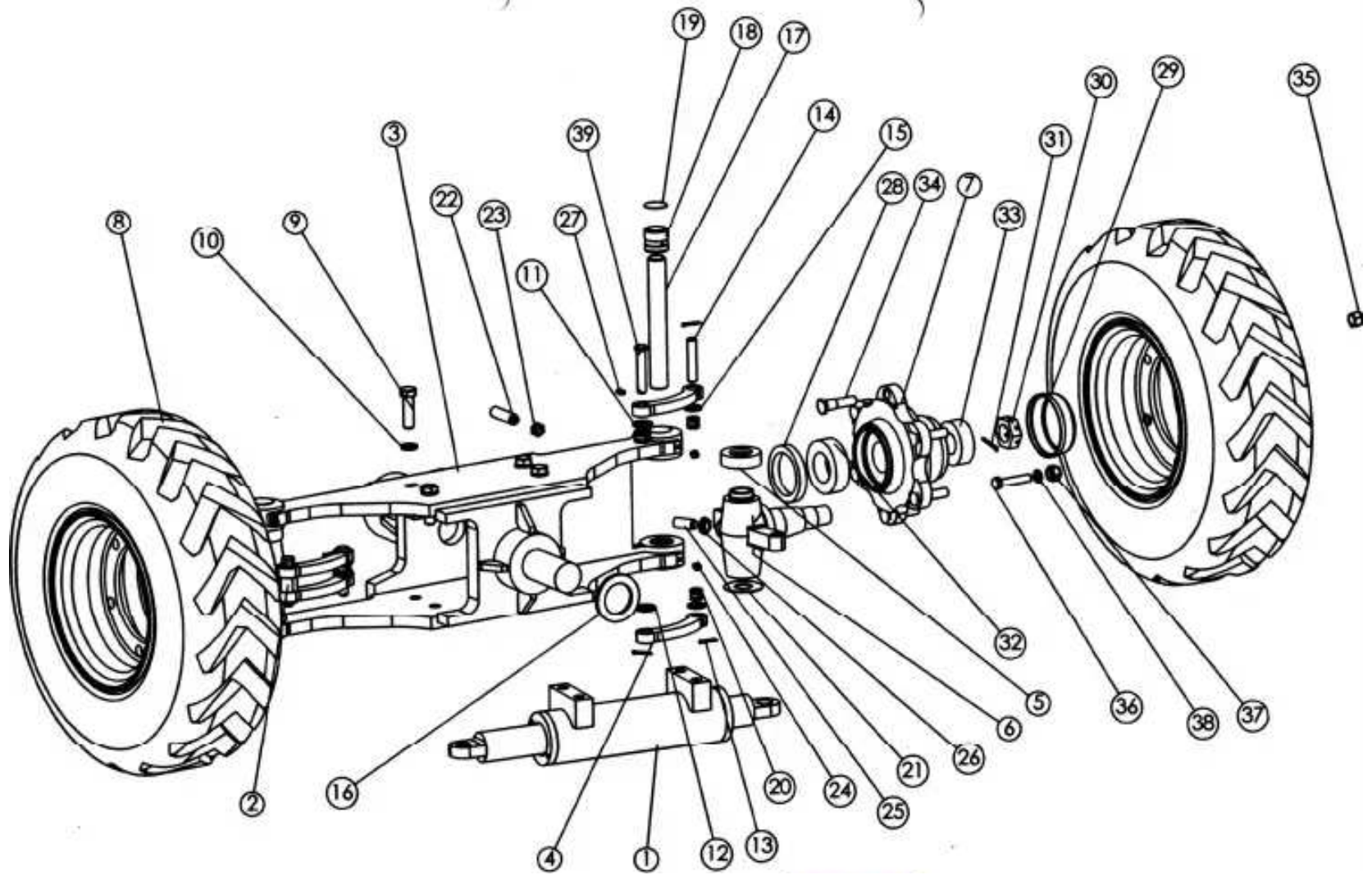


## PARKING BRAKE INSTALLATION



**PARKING BRAKE INSTALLATION**

ITEM NO	PART NO	DESCRIPTION	QTY
1	063542700	BELL CRANK	1
2	785534000	YOKE END	1
3	785577603	YOKE PIN	1
4	992781634	BLACK WASHER	1
5	992826140	SPLIT PIN	1
6	05213	CABLE MOUNTING BRACKET	1
7	992275295	HEX. SCREW	1
8	785540200	CABLE	1
10	05224	SPACER	2
11	05229	BRAKE CABLE SUPPORT BKT.	2
13	<del>879090181</del> 992171303	HANDLE LEVER ASSLY HEX. HD. BOLT	1 2
	992171304	HEX. HD. BOLT	2
14	992761013	HEX. NUT M8	4
15	992791525	SPRING WASHER	4



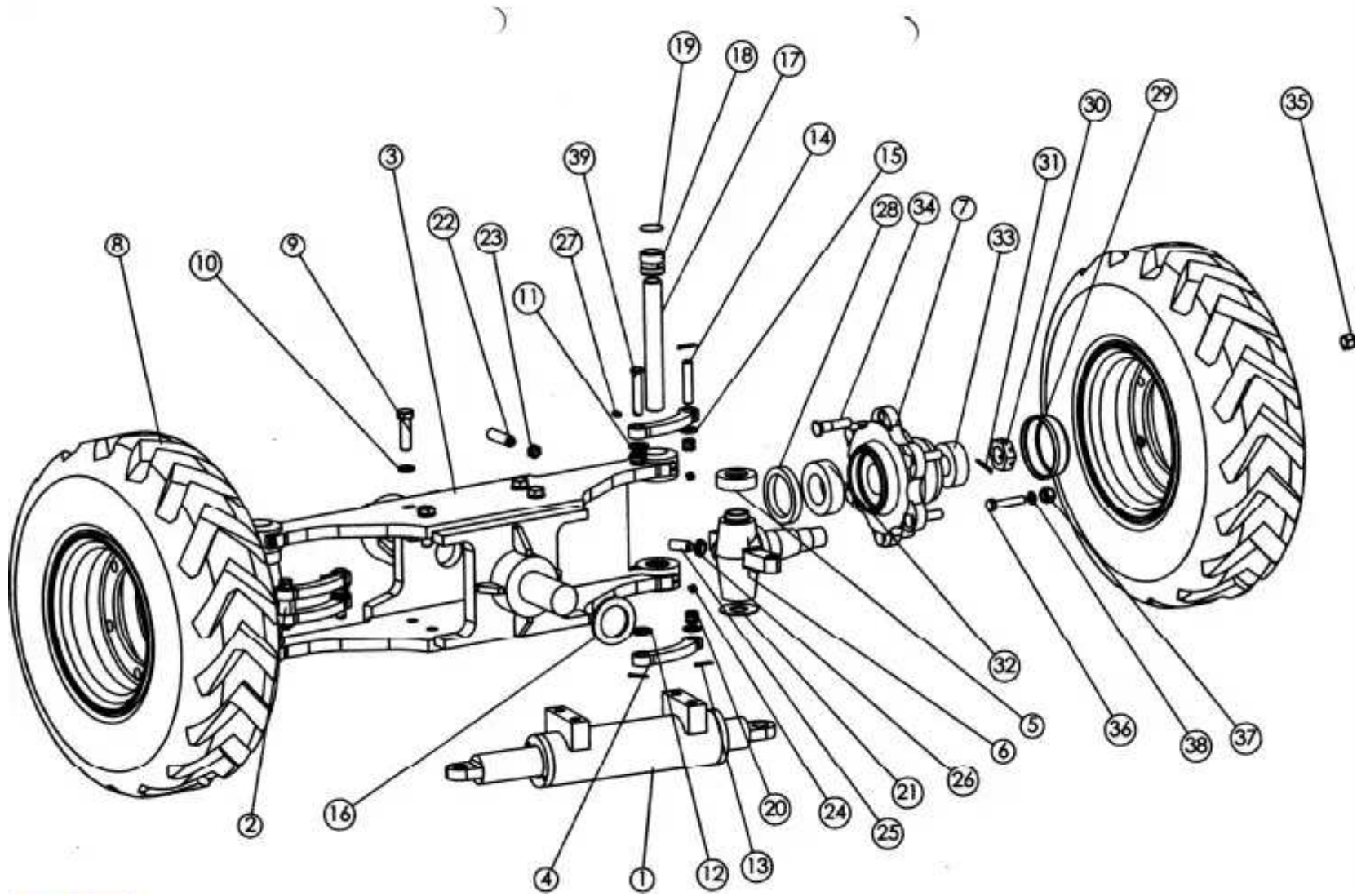
**STEER AXLE ASSEMBLY**



**STEER AXLE ASSEMBLY**

ITEM NO	PART NO	DESCRIPTION	QTY
1	11286	STEER CYLINDER ASSLY (WIPRO)	1
2	08971	STEER KNUCKLE LH	1
3	08966	WELD' T TRAIL AXLE	1
4	08977	CONNECTOR LINK	4
5	019383600	THRUST BEARING	2
6	09182	STEER KNUCKLE RH	1
7	785282300	STEER WHEEL HUB	2
8	796416028	REAR WHEEL ASSEMBLY (BEAR CAT)	2
	796425028	REAR WHEEL ASSEMBLY (PNEUMATIC)	2
9	992275504	HEX. SCREW	4
10	992791565	SPRING WASHER	4
11	12205	BUSH	2
12	08973	SPECIAL WASHER	4
13	992826225	SPLIT PIN	6
14	09185	YOKE PIN	2
15	992781654	M.S. WASHER	8
16	08978	SPACER	2
17	066616800	STEERING KNUCKLE PIN	2
18	785201300	BUSH FOR STEER KNUCKLE	4
19	023818300	EXPANSION PLUG	4
20	09186	BUSH	8
21	016136300	SPECIAL THRUST WASHER	2
22	056142200	GRUB SCREW	2
23	014971100	LOCK NUT	2
24	785324300	NIPPLE	4
25	08980	CLAMP SCREW	2
26	992763017	LOCK NUT	2
27	993791106	GREASE NIPPLE	4
28	016167300	OIL SEAL	2
29	514008300	HUB CAP TRAIL WHEEL	2
30	014984900	SLOTTED NUT	2
31	015420400	COTTER PIN	2
32	993361140	INNER BEARING	2





### STEER AXLE ASSEMBLY



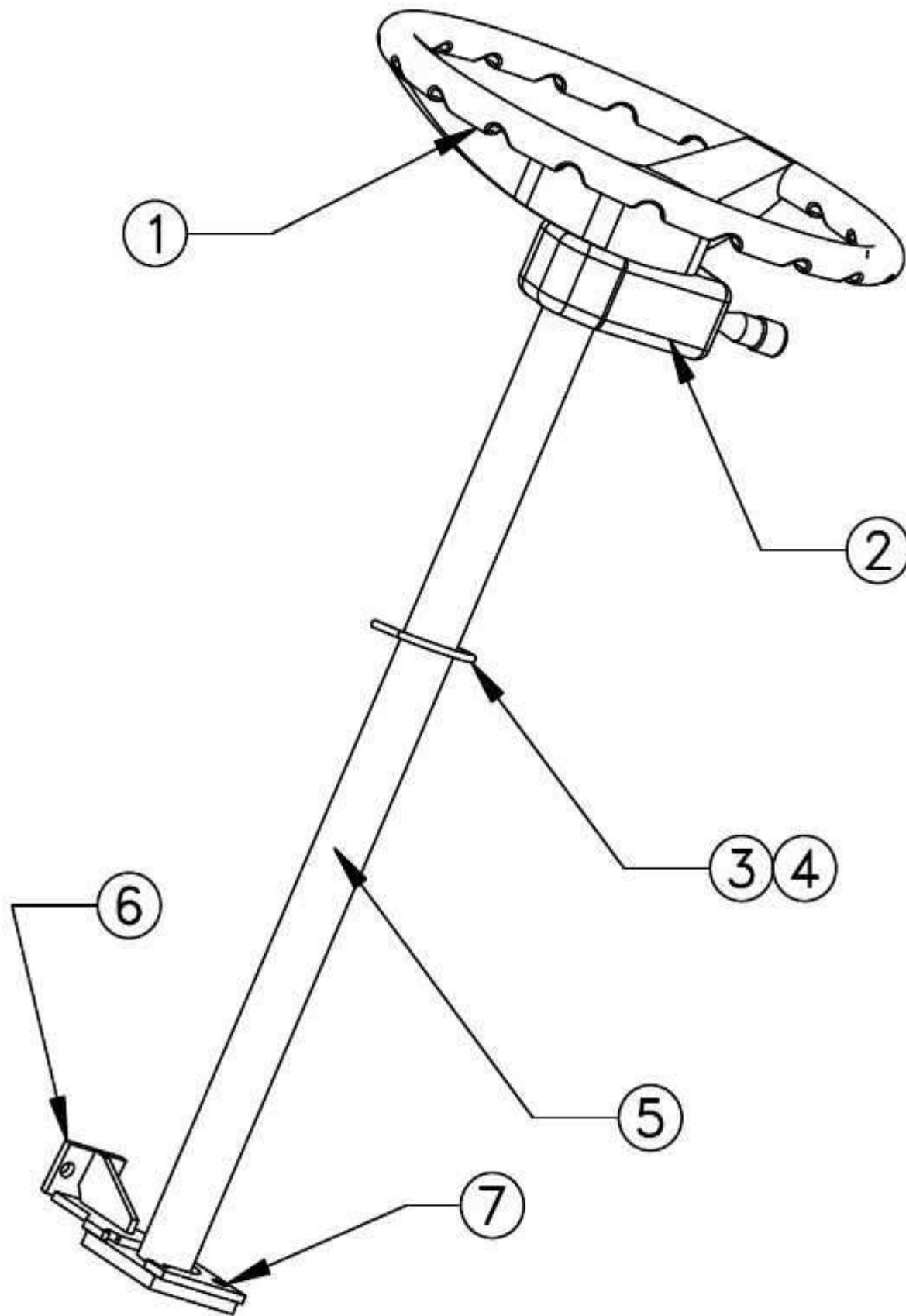
**STEER AXLE ASSEMBLY**

<b>ITEM NO</b>	<b>PART NO</b>	<b>DESCRIPTION</b>	<b>QTY</b>
33	993361137	OUTER BEARING	2
34	785770701	TRAIL WHEEL BOLT	12
35	12195	TRAIL WHEEL NUT	12
36	785293700	TRAIL RIM STUD	12
37	785764100	HEX NUT	12
38	992791545	SPRING WASHER	12
39	796403014	YOKE PIN	2

**ITEMS NOT SHOWN**

	016344800	BUSH	2
--	-----------	------	---



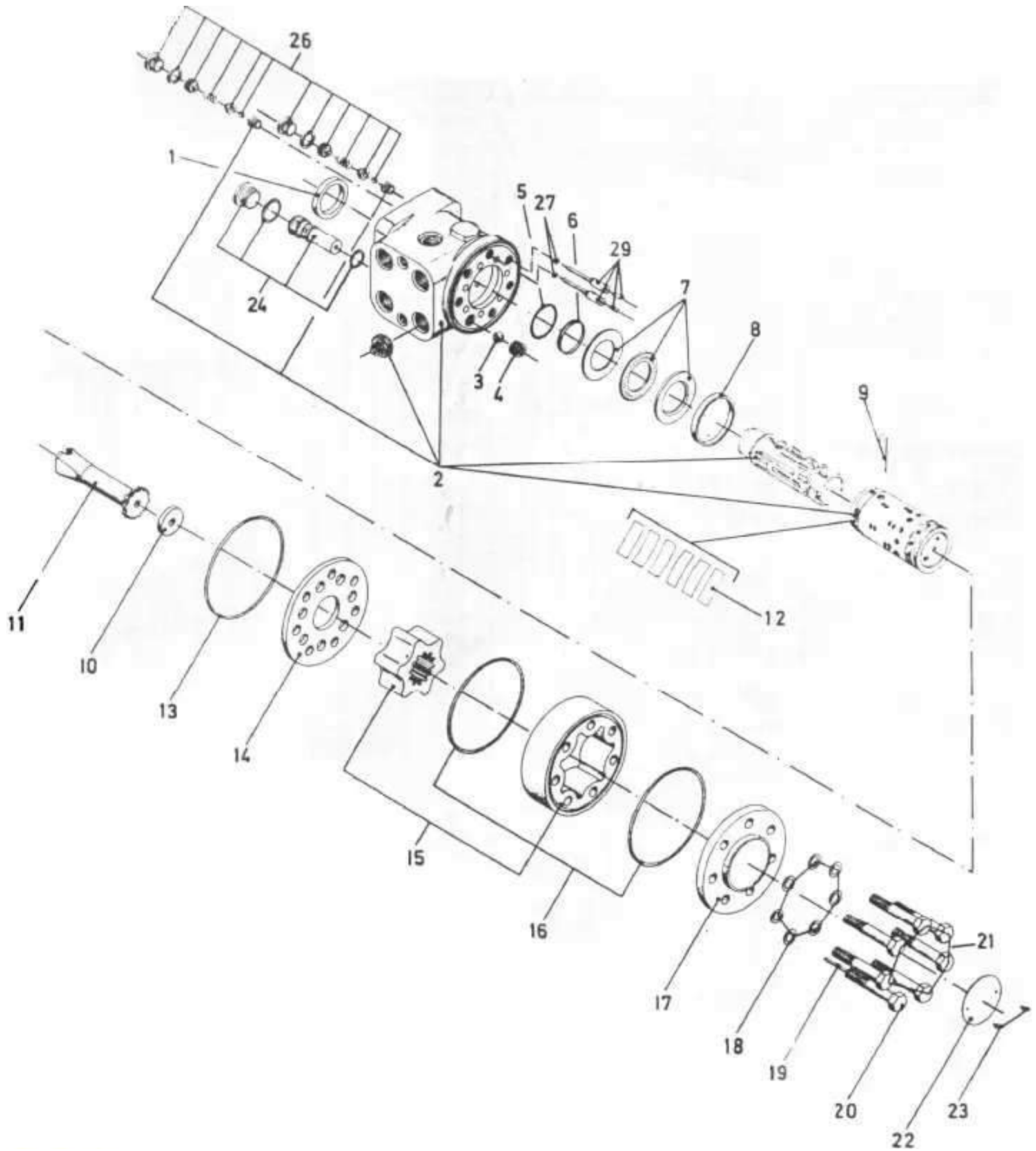


**STEERING SYSTEM**  
**(7964014000)**



**STEERING SYSTEM**  
(796404000)

ITEM NO.	PART NO.	DESCRIPTION	QTY.
1	796415029	STEERING WHEEL	1
2	795119154	DIRECTION INDICATOR LEVER	1
3	020184500	RUBBER PAD	1
4	13920	U - BOLT	1
5	08933	STEERING COLUMN ASSEMBLY	1
6	796404019	STEERING MTG. BKT.	1
7	785372600	SPACER	4
8	992275377	HEX. HEAD SCREW	4
9	992275376	HEX. HEAD SCREW	2
10	992761114	HEX. NUT	2
11	992763014	LOCK NUT	2
12	992781634	PLAIN WASHER	8
13	992791535	SPRING WASHER	4



**STEERING UNIT**  
(13465 DANFOSS)



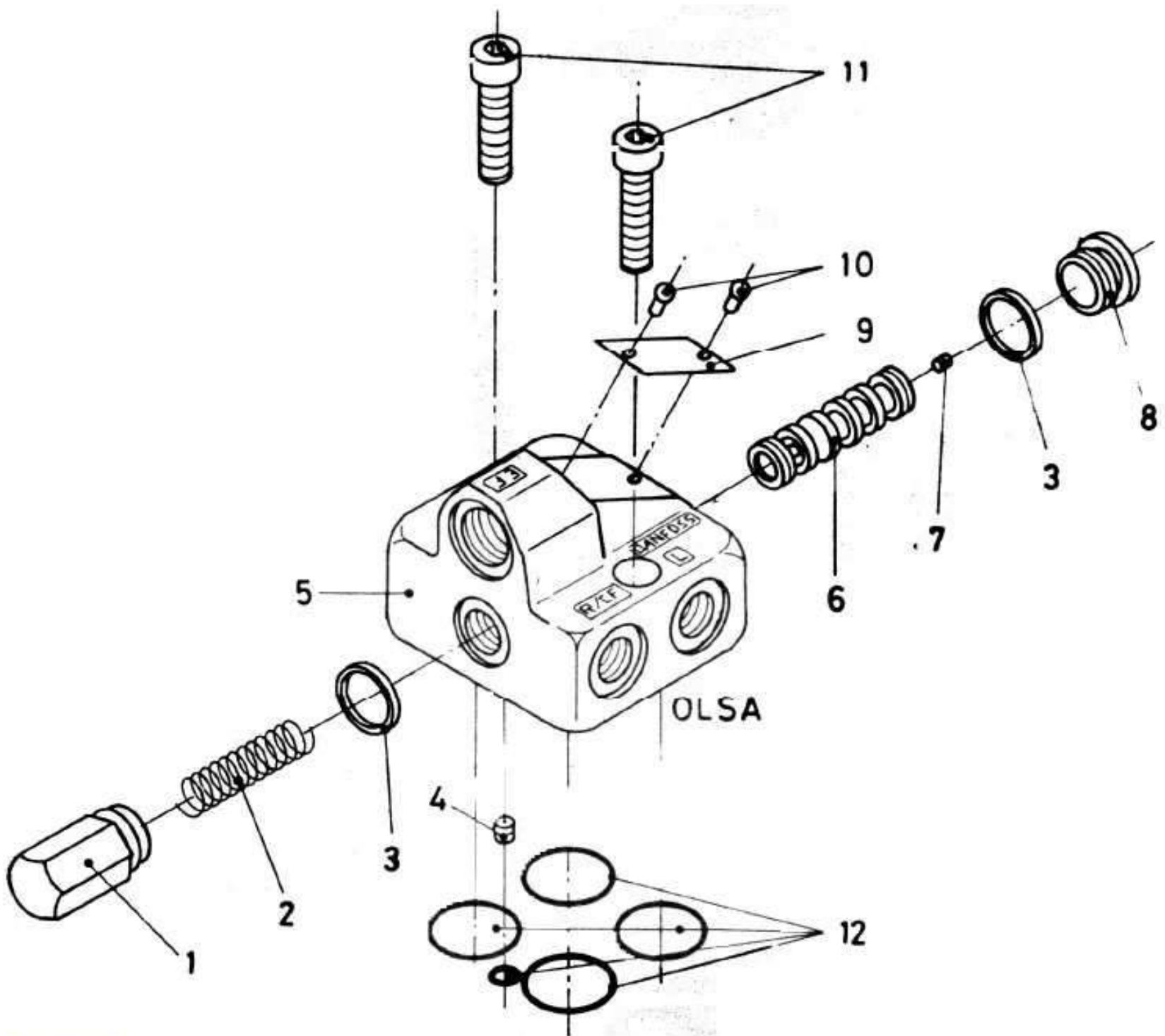
**STEERING UNIT**  
(13465 DANFOSS)

ITEM NO	PART NO	DESCRIPTION	QTY
1	633B9002	DUST SEAL RING	1
2	-	HOUSING	1
3	689X1031	BALL ⌀8, 5	1
4	150-0304	THREAD BUSHING	1
5	633B1205	O RING	1
6	633B9007	KIN RING	1
7	150-4262	BEARING ASSEMBLY	1
8	150-0310	RING	1
9	150-0305	CROSS PIN	1
10	150-0435	SPACER	1
11	150-0442	CARDAN SHAFT	1
12	150-4209	SPRING	1
13	633B1202	O RING	1
14	150-0301	DISTRIBUTOR PLATE	1
15	150-4251	GEAR WHEEL SET	1
16	633B1173	O RING	2
17	150-0328	END COVER	1
18	684X2481	WASHER	7
19	682L3058	ROLLED PIN	1
20	150-0321	SCREW WITH BORE	1
21	681X1578	SCREW	6
22	150A0000	NAME PLATE	1
23	681Z1011	DRIVE SCREW	2
24	150-4272	COMPLETE RELIEF VALVE	1
26	150-4268	COMPLETE DUAL SHOCK VALVE	2
27	689X1005	BALL ⌀3, 16 IN	2
29	150-4080	ROLLED PIN	2

**SEAL KIT 13465-80 COMPRISES ITEM NOS. 1, 5, 6, 13, 16 & 18.**



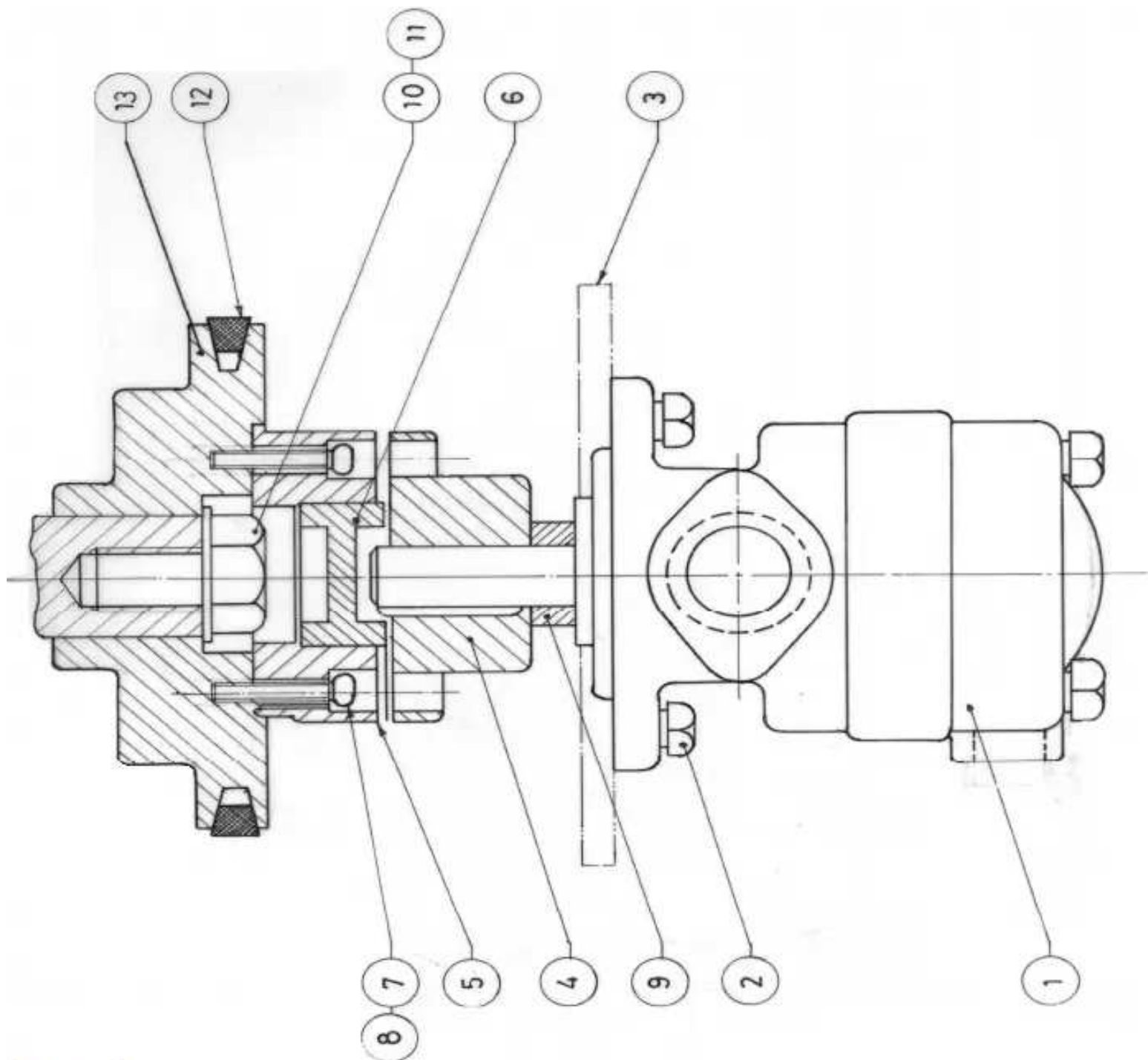
### DANFOSS PRIORITY VALVE





### DANFOSS PRIORITY VALVE

ITEM NO	PART NO	DESCRIPTION	QTY
1	152B0353	LS PLUG	1
2	663X1088	SPRING	1
3	633L3061	SEAL RING	2
4	152B0385	LS ORIFICE SCREW	1
5	-	HOUSING	1
6	-	SPOOL	1
7	152B0380	PP ORIFICE SCREW	1
8	152-0413	PP PLUG	1
9	152A0000	NAME PLATE	1
10	681Z1011	DRIVE SCREW	2
11	150-0442	CARDAN SHAFT	1
12	152B000	SET OF SEAL	1



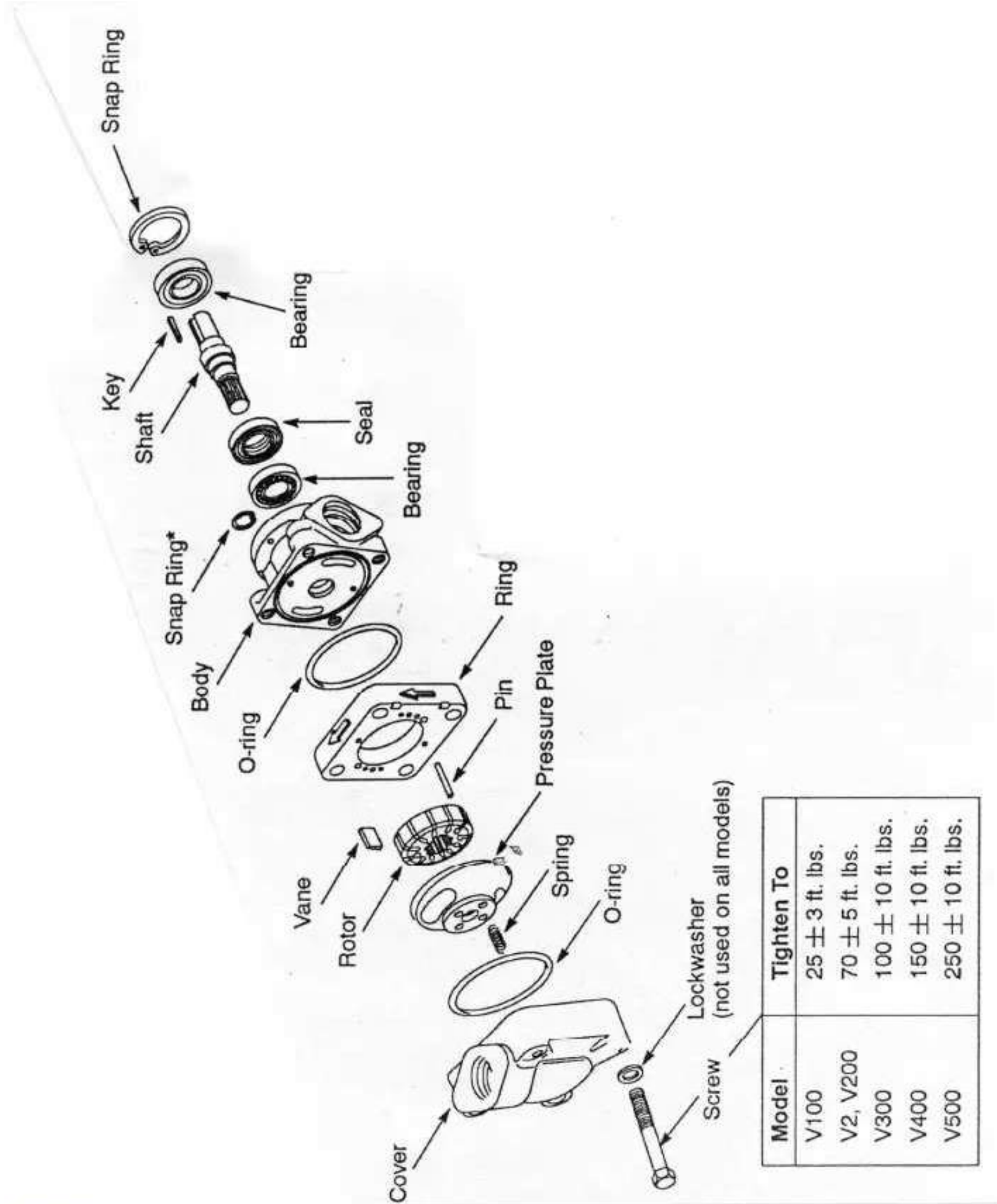
**HYDRAULIC PUMP DRIVE ASSEMBLY  
( SIMPSON S4 ENGINE )**





**MAIN HYDRAULIC PUMP DRIVE ASSEMBLY  
(SIMPSON S4 ENGINE)**

ITEM NO.	PART NO.	DESCRIPTION	QTY.
1	785202800	MAIN HYDRAULIC PUMP	1
2	055486800	HEX. SCREW	2
3	796407542	CROSS MEMBER	1
4	508592400	END PIECE	1
5	508591400	END PIECE	1
6	508593400	FLEXIBLE COUPLING	1
7	065577200	SOCKET HD. SCREW	3
8	992791130	LOCK WASHER	6
9	08797	SPACER	1
10	785249900	HEX. SCREW	1
11	061943400	SPL. STEEL WASHER	1
12	11038	FAN BELT	1
13	-	PULLEY (A PART OF ENGINE)	1



Model	Tighten To
V100	25 ± 3 ft. lbs.
V2, V200	70 ± 5 ft. lbs.
V300	100 ± 10 ft. lbs.
V400	150 ± 10 ft. lbs.
V500	250 ± 10 ft. lbs.

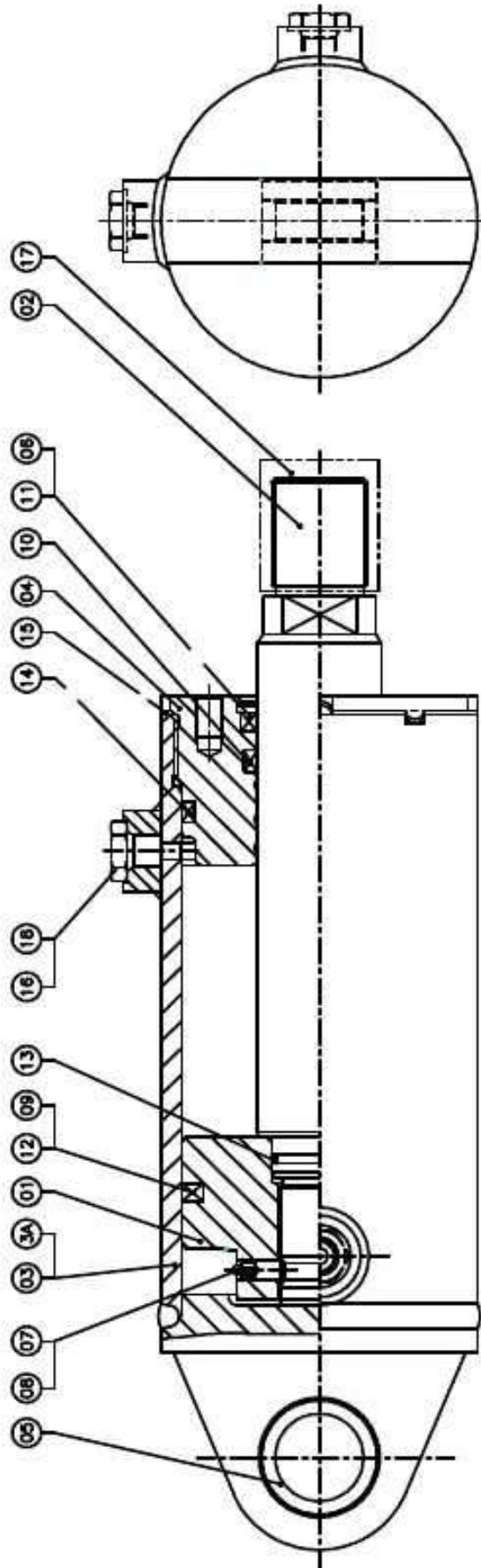
**HYDRAULIC PUMP**  
(785202800)



**HYDRAULIC PUMP**  
(785202800)

ITEM NO	PART NO	DESCRIPTION	QTY
	785202800	Hydraulic Pump Assembly	1
1	785312800	Pump Body	1
2	785312900	Hex. Hd .Screw	4
3	785313100	COVER	1
4	785313200	Pressure Plate Spring	1
5	785313300	Pressure Plate	1
6	785313400	O Ring Sealing	2+
7	786313500	Ring	1+
8	785313600	Rotor	1+
9	785313700	Vane Kit (12 vanes)	1
10	785313800	Pin	1
11	785313900	Bearing	1
12	785314100	Seal	1
13	785314200	Shaft	1
14	785314300	Key	1
15	785314400	Bearing	1
16	78514500	Snap Ring	1

1. SEAL KIT PART NO. 922732.
2. CARTRIDGE KIT PART NO. 78532700. COMPRISES ITEM NOS. 4, 7, 8 & 10.



**TILT CYLINDER R.H.(ALT-1)**  
**( 796414069 ) - WIPRO**

<https://www.forkliftpdfmanuals.com/>



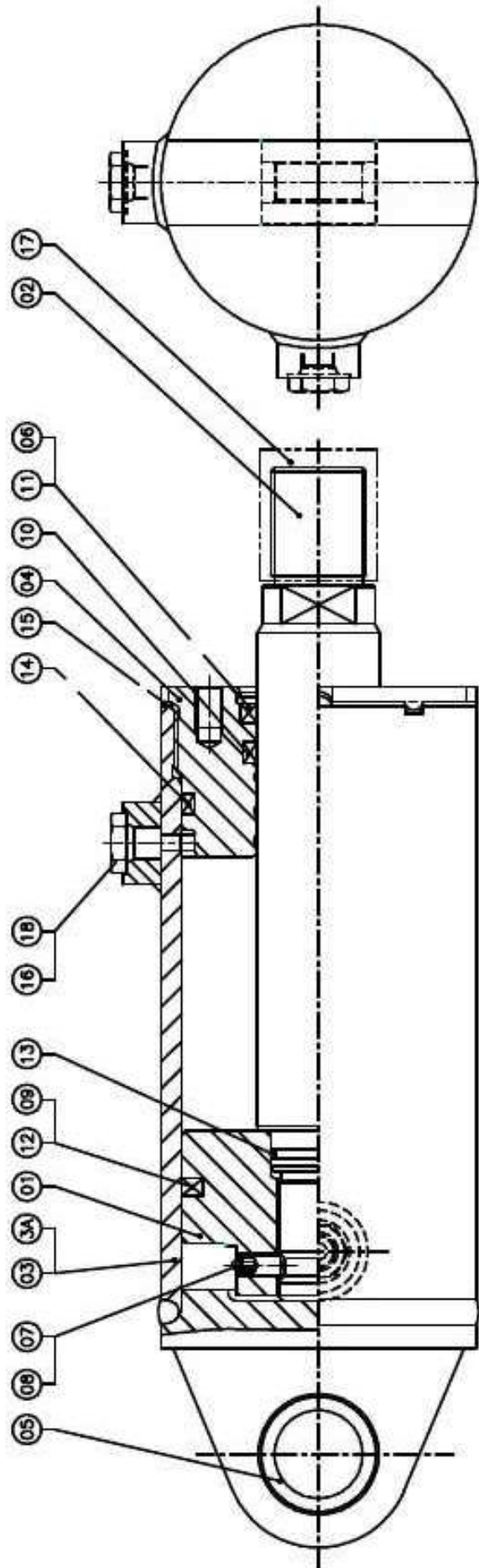
**TILT CYLINDER R. H. (ALT-1)**  
(796414069)

ITEM NO	PART NO	DESCRIPTION	QTY
01	P3899A - 01	PISTON	1
02	P3899A - 02	PISTON ROD	1
03	P3899A 03	TUBE	1
04	P3899A 04	H. E. COVER	1
05	P3899A 05	BUSH	1
06	P3899A 06	SNAP RING - 1	1
07	P3899A 07	SNAP RING 2	1
08	P3899A 08	HEX. SOC. SET SCREW	1
09	P3899A 09	PISTON SEAL	1
10	P3899A 10	ROD SEAL	1
11	P3899A 11	WIPER	1
12	P3899A 12	O RING (PISTON SEAL)	1
13	P3899A 13	O RING (PISTON ROD)	1
14	P3899A 14	O RING (HEC)	1
15	P3899A 15	LOCKING EASHER	1
16	P3899A 16	O RING (PLUG)	2
17	P3899A 17	PROTECTION COVER	1
18	P3899A 18	PROTECTION PLUG	2

**SEAL KIT PART NO. P3899A - 80**

**ITEMS NOT SHOWN**

501900300	ROD END	1
063894200	HEX. SCREW $\frac{3}{4}$ x $3 \frac{1}{4}$ LG GR 5	1
014939500	NYLOCK NUT	1
509816101	HEX. SCREW	1
502658100	PIN RETAINER (FRONT)	1
015026400	LOCK WASHER FOR 3/8	2
504169100	TILT CYLINDER PIN (REAR)	1
504168100	PIN RETAINER (REAR)	0



**TILT CYLINDER L. H. (ALT-1)**  
(796414052)

<https://www.forkliftpdfmanuals.com/>



**TILT CYLINDER L. H. (ALT-1)**  
(796414052)

ITEM NO	PART NO	DESCRIPTION	QTY
01	P3898A - 01	PISTON	1
02	P3898A - 02	PISTON ROD	1
03	P3898A - 03	TUBE S/A	1
04	P3898A - 04	H. E. COVER	1
05	P3898A - 05	BUSH	1
06	P3898A - 06	SNAP RING 1	1
07	P3898A - 07	SNAP RING 2	1
08	P3898A - 08	HEX. SOC. SET SCREW	1
09	P3898A - 09	PISTON SEAL	1
10	P3898A - 10	ROD SEAL	1
11	P3898A - 11	WIPER	1
12	P3898A - 12	O RING (PISTON SEAL)	1
13	P3898A - 13	O RING (PISTON ROD)	1
14	P3898A - 14	O RING (HEC)	1
15	P3898A - 15	LOCKING EASHER	1
16	P3898A - 16	O RING (PLUG)	2
17	P3898A - 17	PROTECTION COVER	1
18	P3898A - 18	PROTECTION PLUG	2

**SEAL KIT PART NO. P3898A - 80**

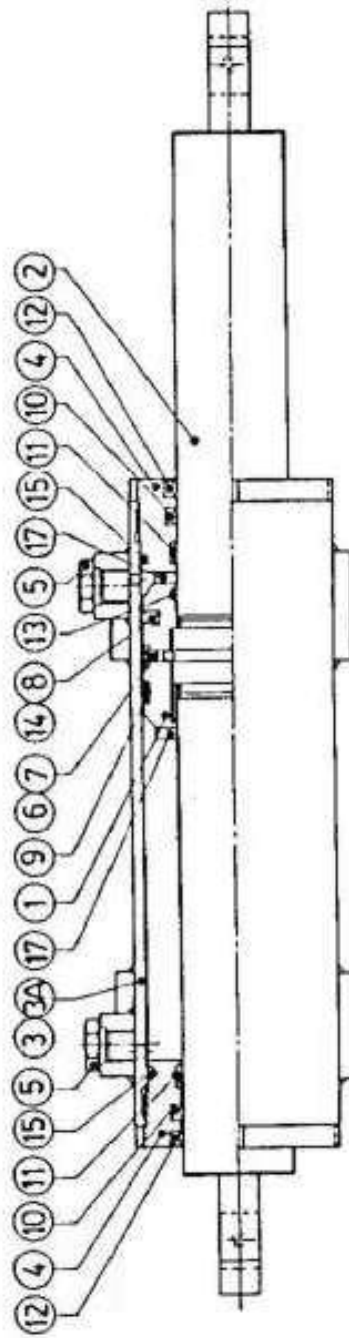
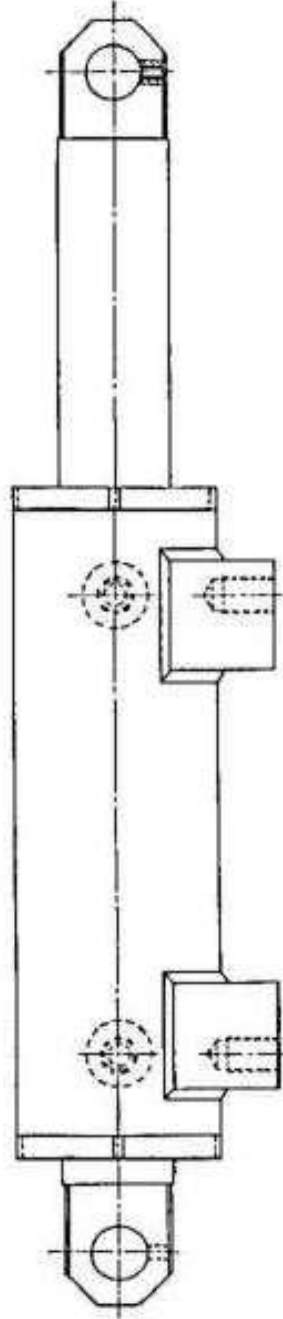
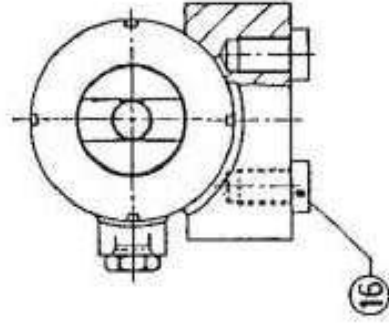
**ITEMS NOT SHOWN**

501900300	ROD END	1
063894200	HEX. SCREW $\frac{3}{4}$ x 3 $\frac{1}{4}$ LG GR 5	1
014939500	NYLOCK NUT	1
509816101	HEX. SCREW	1
502658100	PIN RETAINER (FRONT)	1
015026400	LOCK WASHER FOR 3/8	2
504169100	TILT CYLINDER PIN (REAR)	1
504168100	PIN RETAINER (REAR)	0





**SEALING CYLINDER ASSEMBLY  
(11286)**



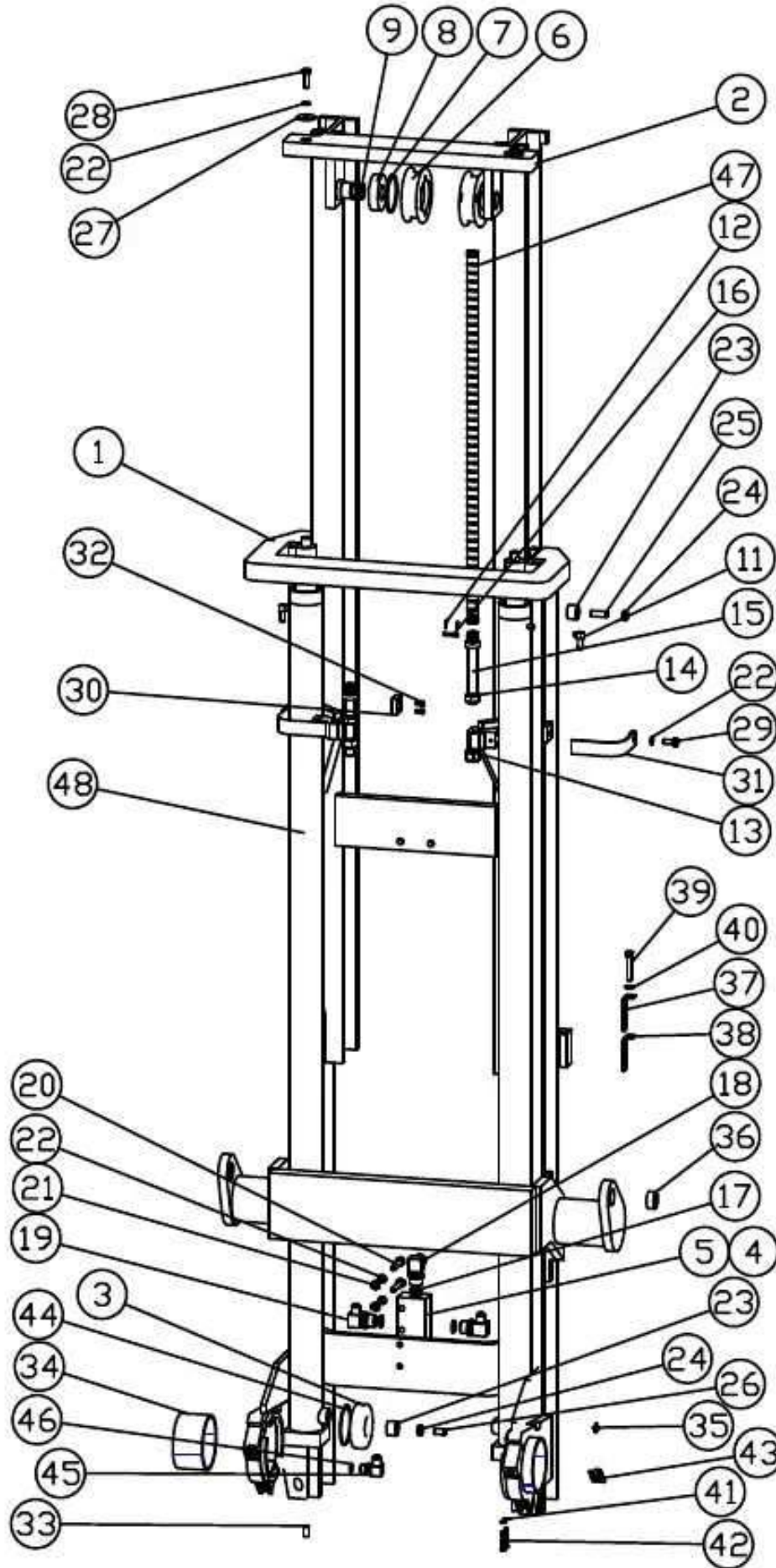


**STEER CYLINDER ASSEMBLY**  
(11286)

ITEM NO	PART NO	DESCRIPTION	QTY
1	P3323D-01	PISTON	1
2	P3323D-02	PISTON ROD	1
3	P3323D-03	TUBE S / A	1
3A	P3323D-03A	TUBE	-
4	P3323D-04	H.E. COVER	2
5	P3323D-05	PROTECTION PLUG	2
6	P3323D-06	HEX. SOC. GRUB SCREW	1
7	P3323D-07	CH. ALLOY STEEL BALL	1
8	P3323D-08	PISTON SEAL	1
9	P3323D-09	PISTON BEARING	1
10	P3323D-10	ROD SEAL	2
11	P3323D-11	ROD BEARING	2
12	P3323D-12	WIPER	2
13	P3323D-13	'O' RING (PISTON)	1
14	P3323D-14	'O' RING (PISTON SEAL)	1
15	P3323D-15	'O' RING (H.E. COVER)	2
16	P3323D-16	PROTECTION CAP	4
17	P3323D-17	SPACER	2

**Seal Kit (P. No. 13227) consists of Item Nos. 8,9,10,11,12,13,14 & 15**

VOLTAS  
FORKLIFTS



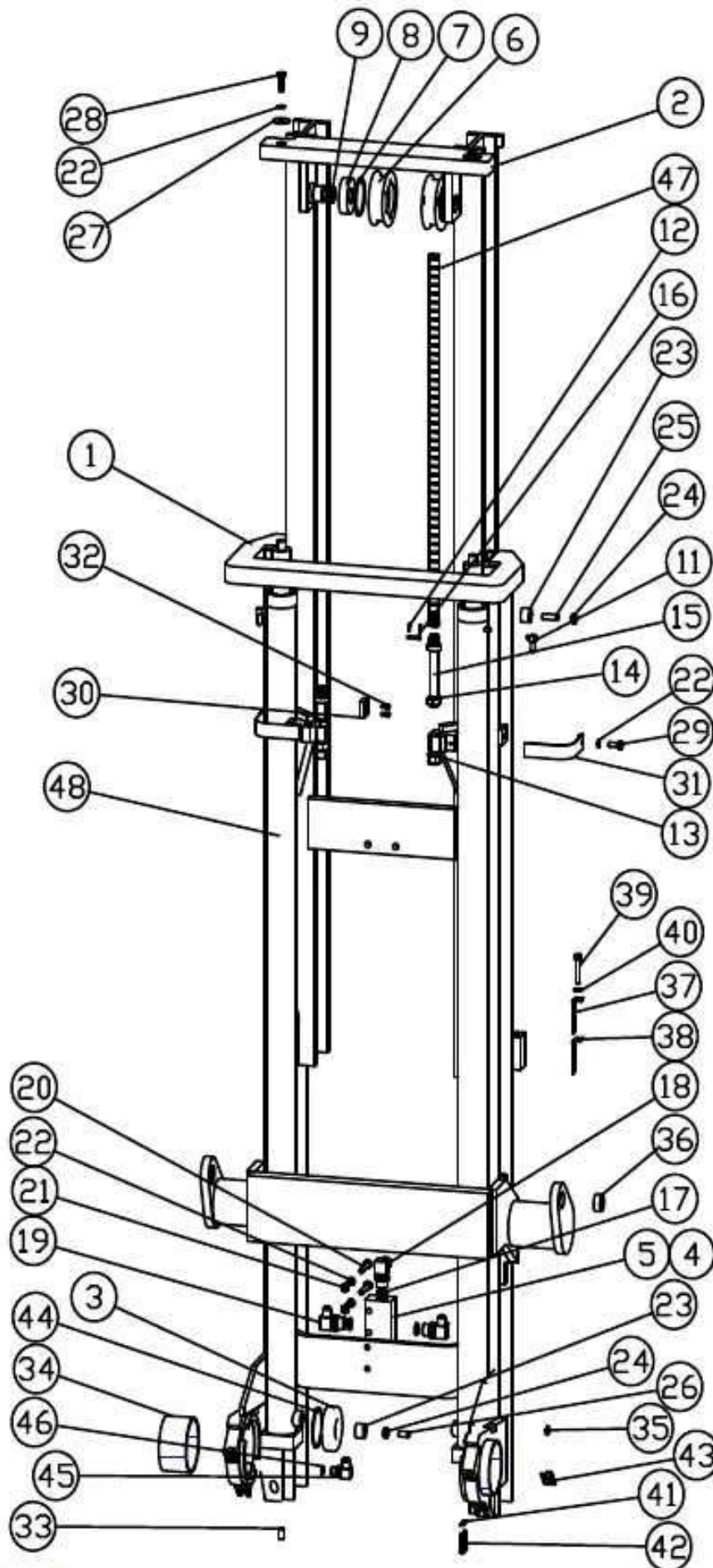


**HIGH VISIBILITY MAST ASSEMBLY**

ITEM NO	PART NO	DESCRIPTION	QTY
1	797319012	STATIONARY WELD'T	1
2	797319062	ELEVATING WELD'T	1
3	870001754	INTEGRAL BEARING	4
4	785269000	FLOW REGULATOR	1
5	12319	MANIFOLD	1
6	508623301	CHAIN SHEAVE	2
7	501989903	RETAINING RING	2
8	500353903	BEARING	2
9	060379000	RETAINING RING	2
10	060733200	HEX. SCREW	2
11	785209100	BARBED ELEBOW	2
12	992826072	SPLIT PIN	4
13	785769001	NYLOC NUT	2
14	014937500	HEX NUT	2
15	870002989	ROD END	2
16	870002974	PIN	2
17	993463092	'O' RING	3
19	993765270	ELBOW	3
20	992275385	HEX. SCREW	2
21	992761014	LOCK NUT	2
22	992791535	SPRING WASHER	8
23	504562100	WEAR PLUG ASSLY	4
24	014973300	JAM NUT	4
25	11274	SPL. GRUB SCREW	2
26	870000904	SPE. GRUB SCREW	2
27	12343	SPECIAL WASHER	2
28	992275379	HEX. SCREW	2
29	992275376	HEX. SCREW	4
30	12245	SPACER, MAST CYLINDER	2
31	12036	CYLINDER CLAMP	2
32	992571223	SOC. HEAD SCREW	4
33	992821555	CYLINDER PIN	2

DVX405 FC  
1 - 75

# VOLTAS FORKLIFTS



**VOLTAS**  
FORKLIFTS

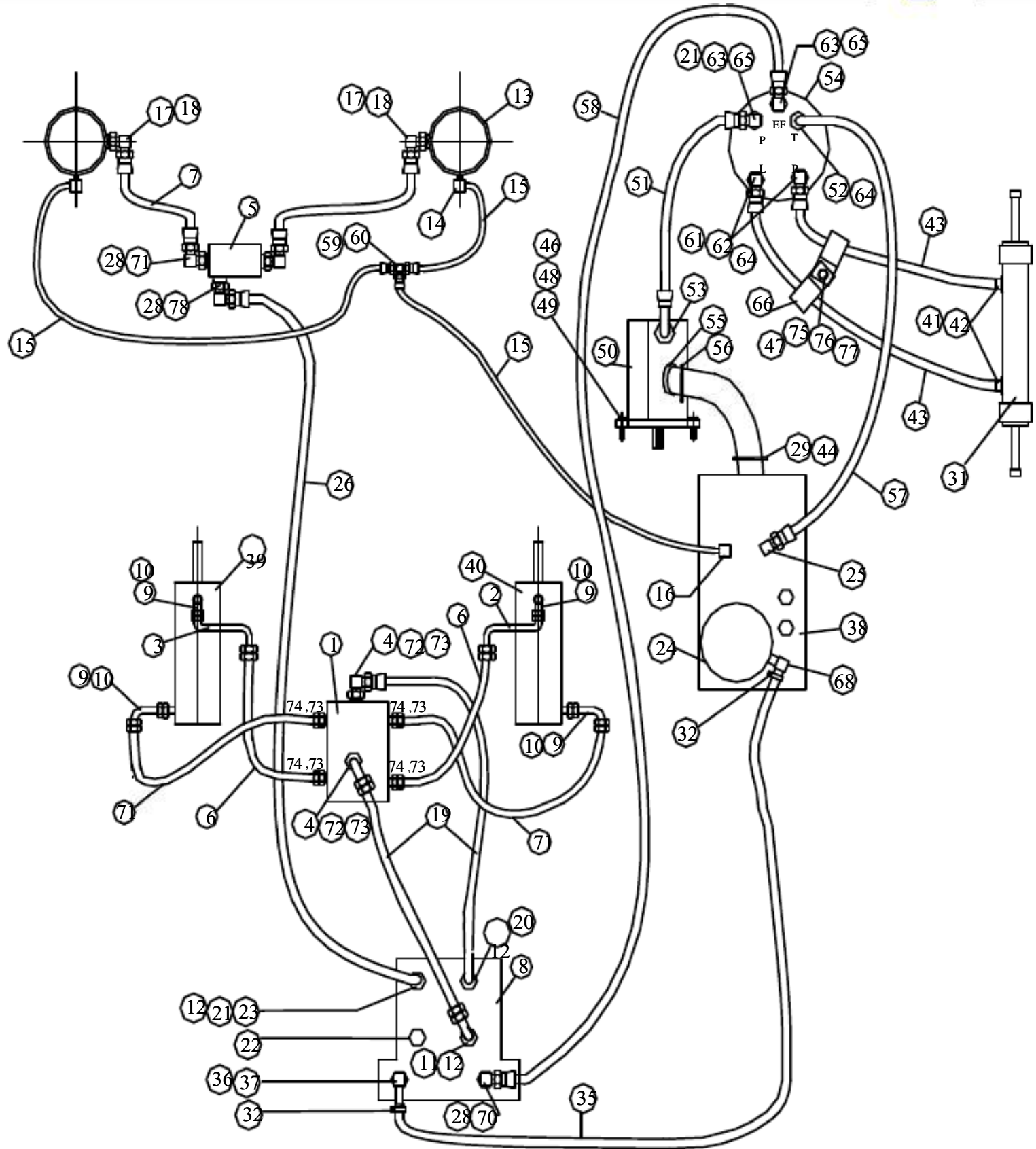


### HIGH VISIBILITY MAST ASSEMBLY

ITEM NO	PART NO	DESCRIPTION	QTY
34	512926300	TRUNNION BUSHING	2
35	785324300	LUBE FITTING	2
36	508990100	TILT PIVOT BUSHING	2
37	502313100	RETAINER WEAR STRIP	2
38	502314100	WEAR STRIP	2
39	055486700	HEX. SCREW	2
40	061278000	FLAT WASHER	2
41	992791515	SPRING WASHER	4
42	992275221	HEX. SCREW	4
43	512505100	LOCK PLATE	4
44	060313900	CIRCLIP	4
45	00888	ADAPTOR	2
46	993463064	'O' RING	2
47	10135	HOIST CHAIN	2
48	797319052	HOIST CYLINDER	2



VOLTAS  
FORKLIFTS



**HYDRAULIC SYSTEM**  
(797306018)



**VOLTAS**  
FORKLIFTS



**HYDRAULIC SYSTEM**  
(797306018)

ITEM NO	PART NO	DESCRIPTION	QTY
1	870000028	TILT LOCK VALVE	1
2	796406043	TUBE LH	1
3	796406053	TUBE RH	1
4	870000234	CONNECTOR	2
5	12319	MANIFOLD	1
6	993832692	H.P. HOSE	1
7	03284	HOSE	2
8	13391	2 SPOOL CONTROL VALVE -	1
9	785759401	ELBOW	4
10	993463041	'O' RING	4
11	785759402	HYDRAULIC FITTING 90°	1
12	993463075	O RING	3
13	10987	HOIST CYLINDER ASSLY	2
14	785209100	90° FITTING	2
15	990711139	HOSE	3
16	785264500	90° SPECIAL ELBOW	1
17	797306029	RIGHT ANGLE ELBOW	2
18	993463064	'O' RING	2
19	993832650	HOSE	2
20	785757500	ELBOW	1
21	059803200	90° ELBOW (SWIVEL)	2
22	09391	PLUG (TEST PRESS)	1
23	785303100	ST. ADAPATOR	1
24	14886	RETURN LINE FILTER	1
25	07240	RT. ANGLE ELBOW	1
26	993832846	H.P. HOSE	1
27	870001299	HEX. BOLT	1
28	993463092	'O' RING	4
29	785756605	HOSE	1
30	44Z12D13	HOSE CLIP	1
31	11286	STEERING CYLINDER ASSLY	1
32	44Z12D8	HOSE CLIP	3
33	785756601	HYDRAULIC HOSE	0
34	785397900	90° ELBOW	0
35	785756602	HYDRAULIC HOSE	1
36	993766809	90° BARBED ELBOW	1
37	993463092	'O' RING	2



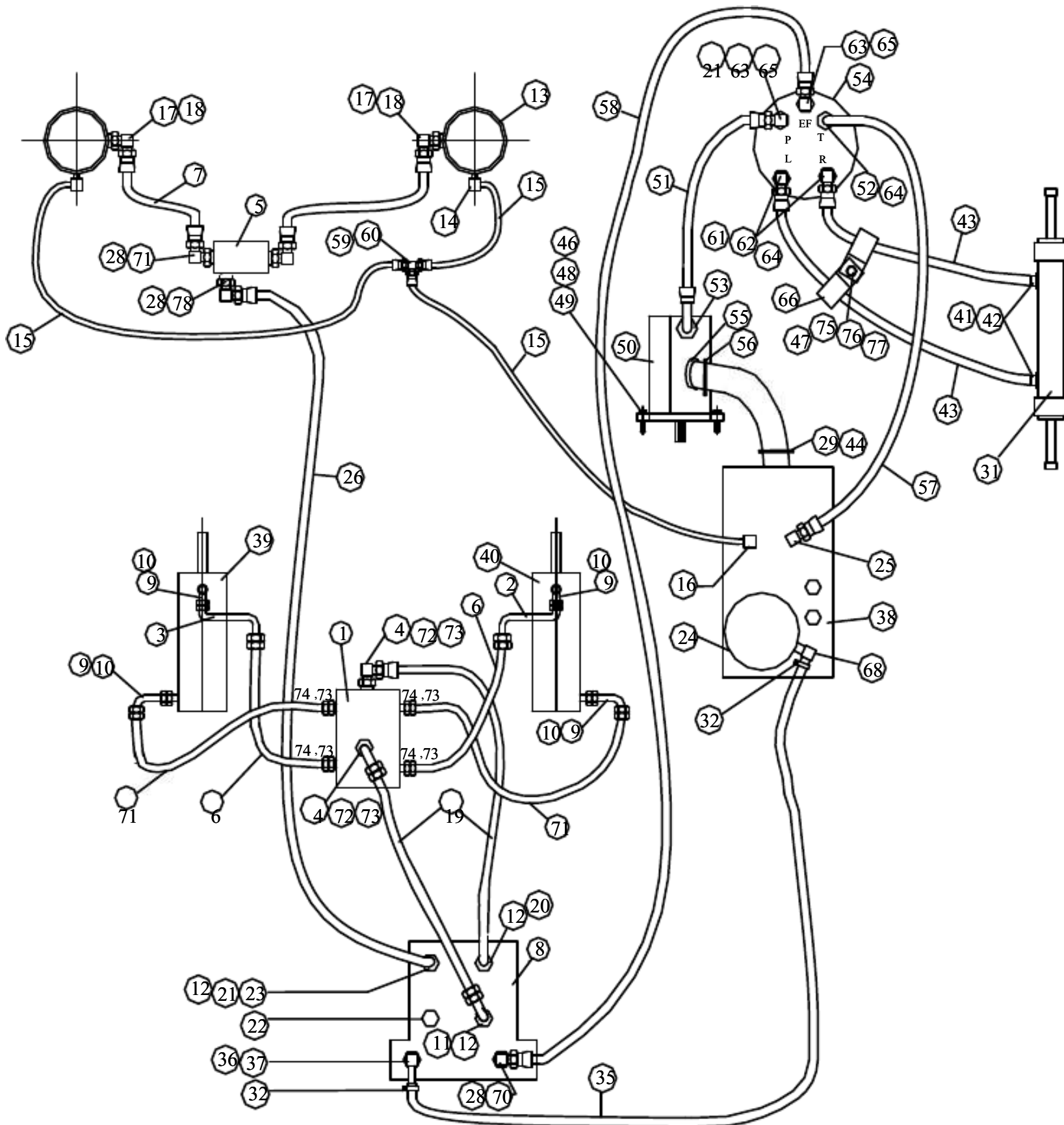
VOLTAS  
FORKLIFTS



**HYDRAULIC SYSTEM**  
(797306018)

ITEM NO	PART NO	DESCRIPTION	QTY
38	796406591	HYDRAULIC TANK ASSLY	1
39	796414052	L.H. TILT CYLINDER (ALT-1 / ALT-2)	1
	796414089	L.H. TILT CYLINDER (VOLTAS)	1
40	796414069	R.H. TILT CYLINDER (ALT-1 / ALT-2)	1
	796414099	R.H. TILT CYLINDER (VOLTAS)	1
41	993750109	ST. ADAPTOR	2
42	993463046	'O' RING	2
43	09465	HOSE	2
44	993728160	HOSE CLIP	1
45	993728140	HOSE CLIP	1
46	<del>992791534</del>	<del>BLACK WASHER</del>	<del>2</del>
47	<del>992791535</del>	<del>SPRING WASHER</del>	<del>2</del>
48	992571379	SOC. HEAD SCREW	2
49	992791535	SPRING WASHER	2
50	796406014	SPECIAL FITTING	1
51	794707119	HOSE	1
52	11332	ST. ADAPTOR	1
53	993764089	ELBOW	1
54	11660	STEERING UNIT	1
55	785258600	HYDRAULIC ADAPTOR	1
56	993728160	HOSE CLIP	1
57	798622029	HOSE	1
58	794707119	H.P. HOSE	1
59	08744	TEE	1
60	993728112	HOSE CLIP	5
61	11193	ST. ADAPTOR	2
62	993750609	90° SWIVEL ELBOE	2
63	11333	ST. ADAPTOR	2
64	795020119	DOWTY WASHER	3
65	795020129	DOWTY WASHER	2
66	11672	STRG. HOSE CLAMP BKT.	2
67	993750609	RT. ANGLE ELBOW 9/16	2
68	993764805	RT. ANGLE ELBOW	1
69	11305	ST. ADAPTOR	1
70	059803200	90° ELBOW 1 1/16	1
71	93832675	HOSE	2

# VOLTAS FORKLIFTS



## HYDRAULIC SYSTEM (797306018)

**VOLTAS**  
FORKLIFTS

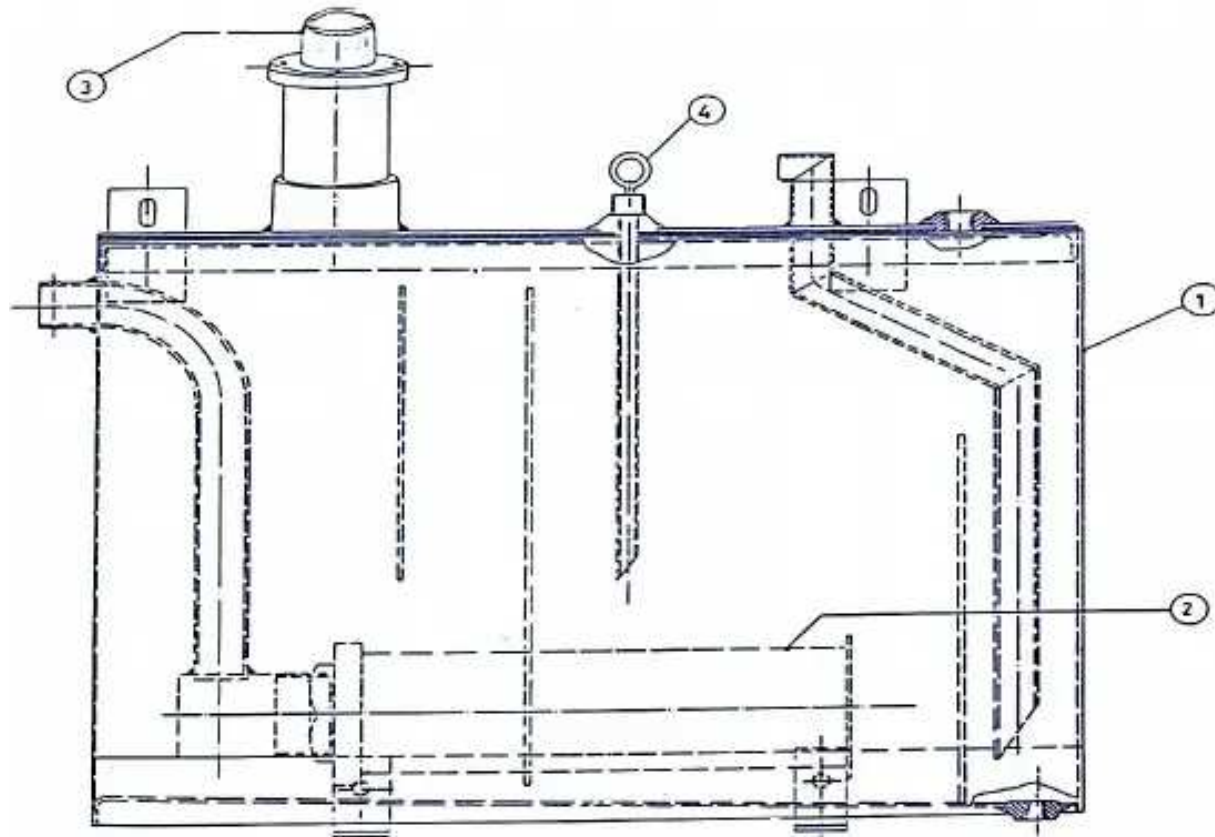


**HYDRAULIC SYSTEM**  
(797306018)

<b>ITEM NO</b>	<b>PART NO</b>	<b>DESCRIPTION</b>	<b>QTY</b>
72	870000224	90° MALE ELBOW LONG	2
73	870000243	WASHER	6
74	870000214	CONNECTOR MALE TO MALE	4
75	992271297	HEX. SCREW M8 x 30	1
76	992761013	HEX. NUT M8	1
77	992781624	WASHER M8	1
78	993765270	RIGHT ANGLE ELBOW	1
79	721552700	ELBOW 90°	2



VOLTAS  
FORKLIFTS



### HYDRAULIC TANK ASSEMBLY

**VOLTAS**  
FORKLIFTS



### HYDRAULIC TANK ASSEMBLY

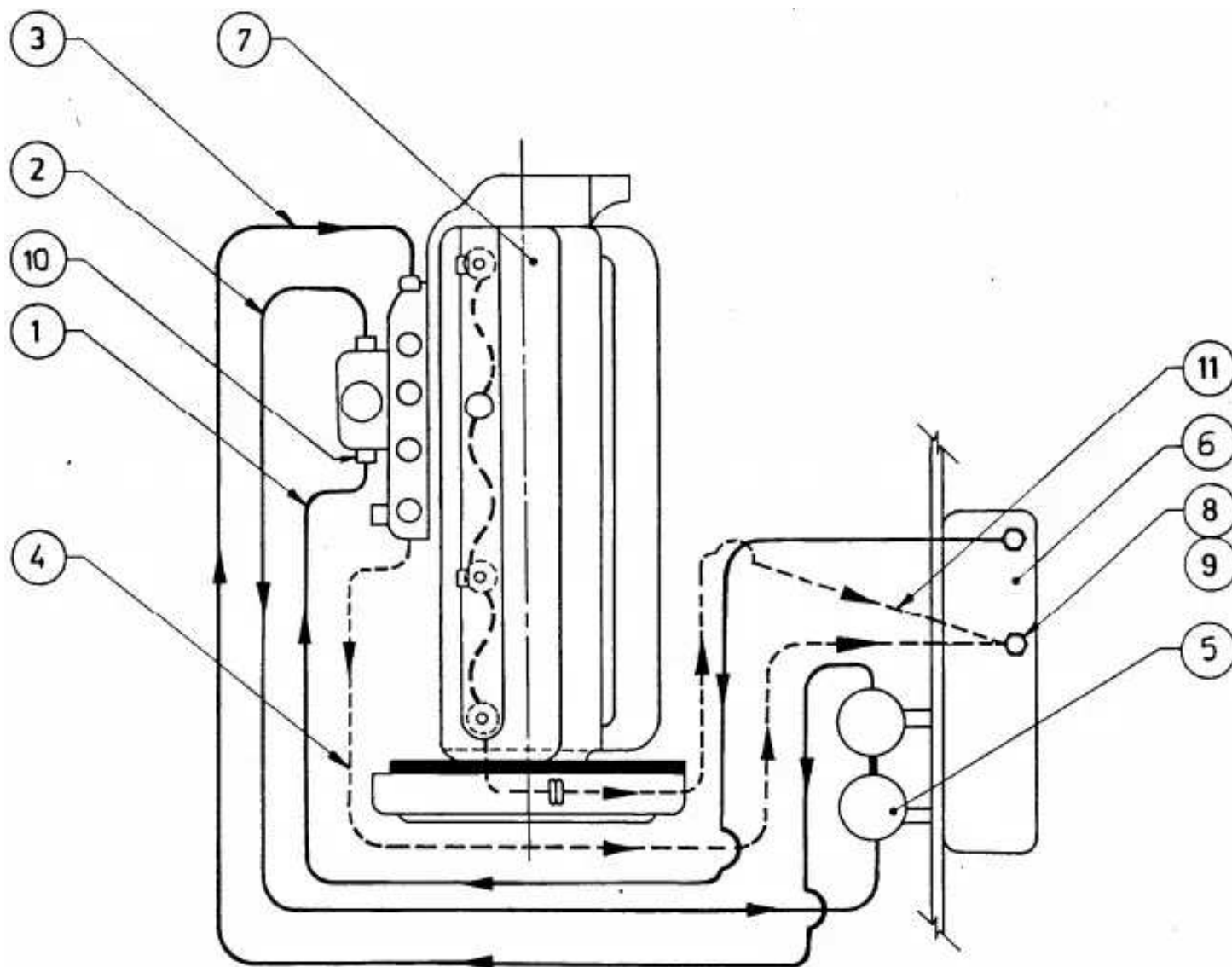
ITEM NO.	PART NO.	DESCRIPTION	QTY.
1	785767200	HYD. TANK WELD' T	1
2	00792	SUCTION STRAINER	1
3	785382800	AIR BREATHER ASSLY	1
4	870000533	DIP STICK	1

### HARDWARE FOR HYDRAULIC TANK

	014936900	HEX NUT	2
	015029000	SPRING WASHER	2
	055486800	HEX HD. SCREW	2
	061278000	FLAT WASHER	2
	992275376	HEX SCREW M10	3
	992761114	HEX NUT M10	3



VOLTAS  
FORKLIFTS



**FUEL LINE DIAGRAM  
( SIMPSON S4 ENGINE )**

**VOLTAS**  
FORKLIFTS



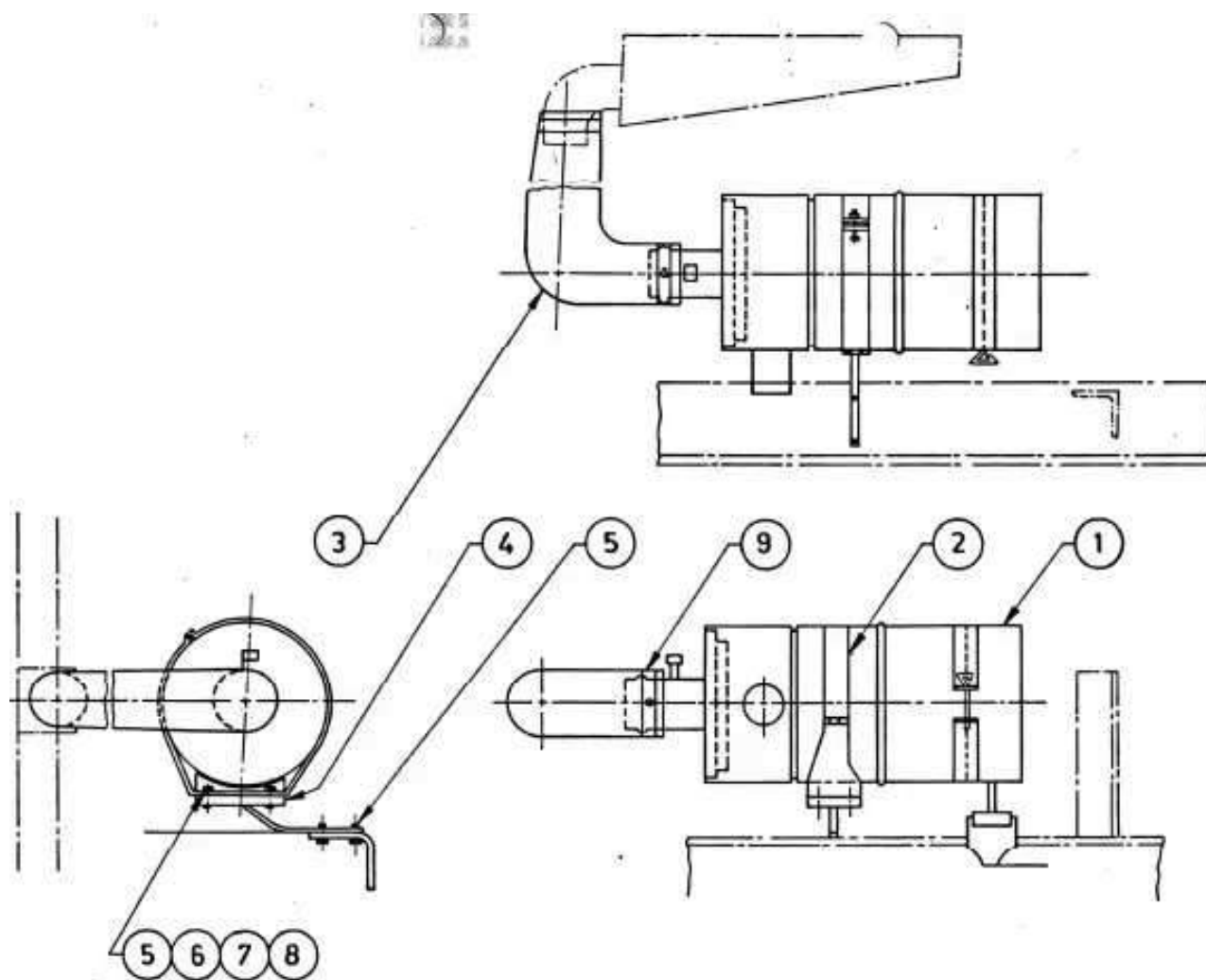
### FUEL LINE DIAGRAM (SIMPSON S4 ENGINE)

ITEM NO.	PART NO.	DESCRIPTION	QTY.
1	785202301	FUEL LINE (TANK TO ENGINE SUCTION)	1
2	785202301	FUEL LINE (ENGINE OUTLET TO FILTER)	1
3	785202301	FUEL LINE (FILTER TO FUEL INJECTOR PUMP)	1
4	785202301	FUEL LINE (OVERFLOW FUEL PUMP TO TANK)	1
5	785216100	DUAL FILTER	1
	785216101	FILTER ELEMENT (PRELIMINARY FILTER)	1
	785216102	FILTER ELEMENT (PAPER ELEMENT)	1
6	796421011	FUEL TANK	1
7	785750900	JUNCTION BLOCK WELDMENT	1
	785761700	PLATE	1
8	10187	BANJO CONNECTION	1
9	785200803	WASHER	4
10	785215000	HEX. HOLLOW SCREW	1
11	10209	FUEL LINE (OVERFLOW - INJECTOR TO TANK)	1

### ITEMS NOT SHOWN

	10933	PLUG FOR FUEL FILTER	1
	785252781	PERFORATED	2
	785252701	NYLON BUTTON	2

VOLTAS  
FORKLIFTS



**AIR INTAKE ASSEMBLY  
(SIMPSON S4 ENGINE)**

**VOLTAS**  
FORKLIFTS



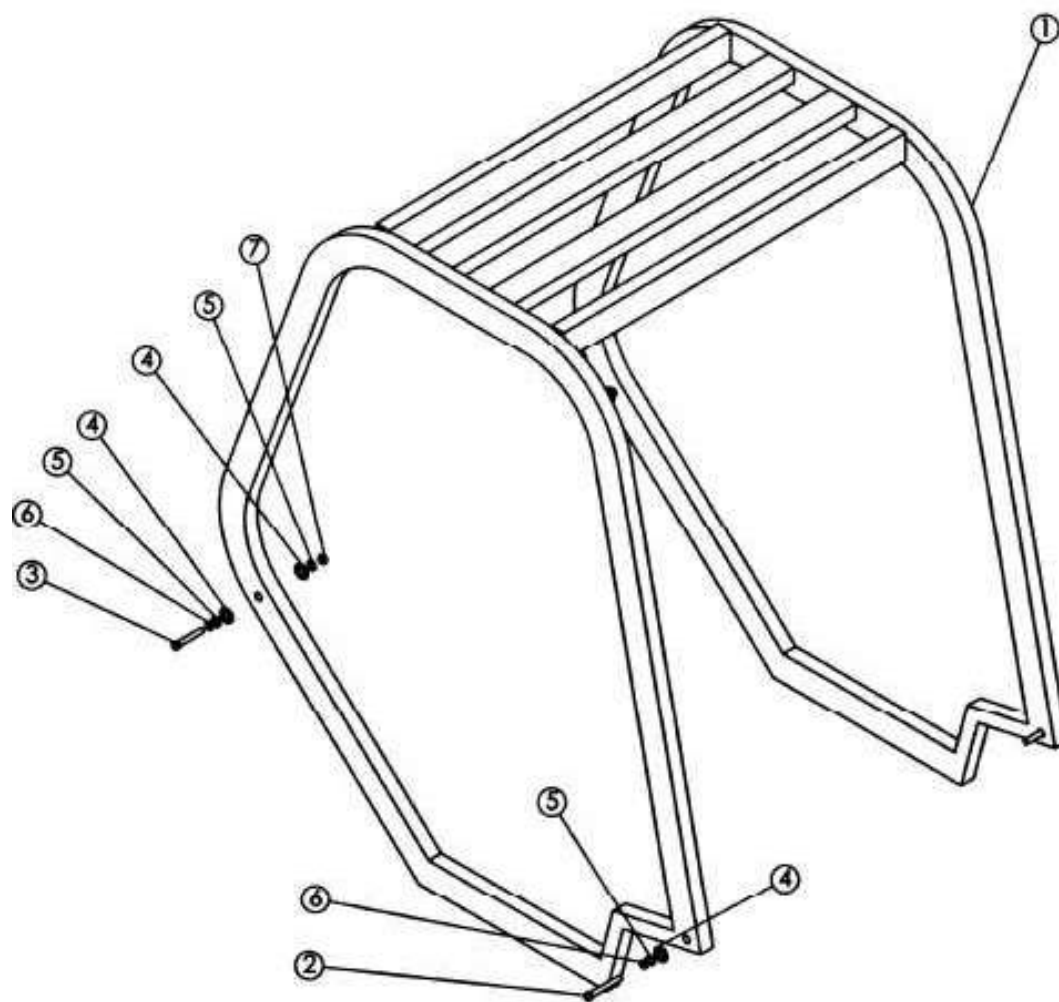
### AIR INTAKE SYSTEM

ITEM NO	PART NO	DESCRIPTION	QTY
1	10197	AIR INTAKE FILTER	1
2	10206	AIR FILTER MTG. BKT.	1
3	11473	HOSE	1
4	11934	AIR CLEANER SUPPORT BKT.	1
5	992271416	HEX. SCREW	6
6	992761015	NUT	4
7	992781644	PLAIN WASHER	6
8	992791545	SPRING WASHER	6
9	993728180	HOSE CLAMP	2

### ITEMS NOT SHOWN

<b>10237</b>	<b>FILTER ELEMENT ( OUTER )</b>	<b>1</b>
<b>10238</b>	<b>FILTER ELEMENT ( INNER )</b>	<b>1</b>
<b>10239</b>	<b>VACCUM INDICATOR</b>	<b>1</b>

VOLTAS  
FORKLIFTS



## CANOPY INSTALLATION

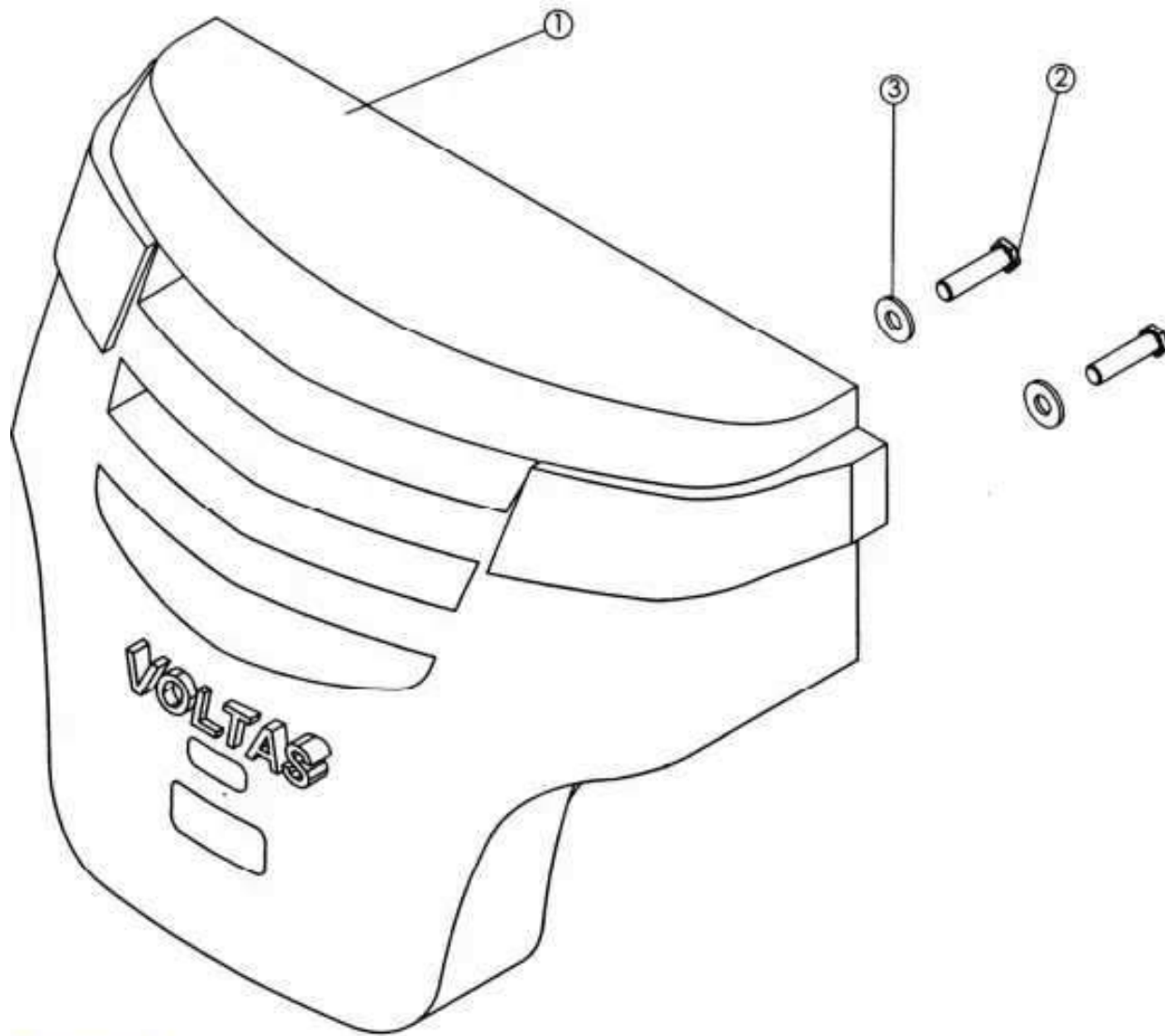
**VOLTAS**  
FORKLIFTS



### CANOPY INSTALLATION

ITEM NO	PART NO	DESCRIPTION	QTY
1	796413011	CANOPY WELDMENT	1
2	992175433	BOLT M12 X 100	2
3	992175389	BOLT M12 X 80	2
4	992781684	BLACK WASHER M20	6
5	992785644	GALVANISED WASHER M12	6
6	992791545	SPRING WASHER M12	4
7	992761215	NUT M12	2

**VOLTAS**  
FORKLIFTS



**COUNTERWEIGHT INSTALLATION**



**VOLTAS**  
FORKLIFTS



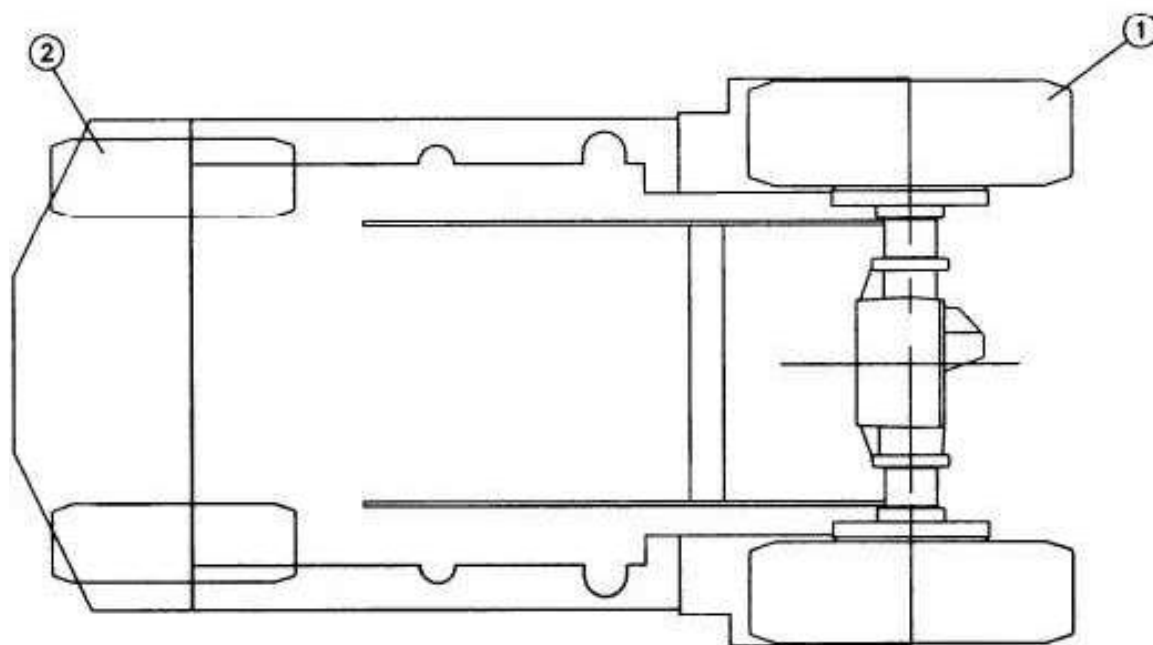
### COUNTERWEIGHT INSTALLATION

ITEM NO	PART NO	DESCRIPTION	QTY
1	796417011	COUNTERWEIGHT	1
2	07608	SPL. BOLT	2
3	870001204	SPL. WASHER	2

### ITEM NOT SHOWN

	796417033	TOW SHACKLE	1

VOLTAS  
FORKLIFTS



**WHEELS & TYRES ( SOLID CUSHION )**

**VOLTAS**  
FORKLIFTS



**WHEELS AND TYRES (BEAR CAT)**

<b>ITEM NO.</b>	<b>PART NO.</b>	<b>DESCRIPTION</b>	<b>QTY.</b>
1	796416048	WHEEL ASSLY - DRIVE	4
		THE WHEEL ASSLY SET CONSISTS OF:	
	785231102	DRIVE RIM ASSLY	1
	785765901	SOLID CUSHION TYRE 7.00 X 12	1
	08724	DRIVE WHEEL NUT	6
	08725	SPRING WASHER	6
2	796416028	WHEEL ASSLY - TRAIL	2
		THE WHEEL ASSLY SET CONSISTS OF:	
	870001711	RIM ASSEMBLY	1
	785765903	SOLID CUSHION TYRE 6.50 X 10	1
	12195	TRAIL WHEEL NUT	6

## VOLTAS FORKLIFTS



Your investment in a Voltas Forklift Truck is important to you and to Voltas. You measure the return on that investment through the performance of these trucks and the drivers who operate and the mechanics who service them safely and efficiently. The following information and programs are intended to help you to achieve your investment objectives:

### **SERVICE PARTS ORDERING INSTRUCTIONS** **HOW TO ORDER SERVICE PARTS**

In order to prevent delay, too much communication and to have your orders filled correctly, quickly and at the least possible cost, the following is the correct procedure to use to order replacement parts.

#### **WHEN ORDERING PARTS**

Contact your nearest Voltas Office giving them the following information:

1. Your Purchase order number.
2. Complete addresses for sending the invoice and parts.
3. Tell us how you want your parts to be sent.
4. Correct part numbers and descriptions. Use your parts manual as a reference.
5. Model and serial number of the truck.

#### **TECHNICAL SERVICE PUBLICATIONS**

To help you maintain your Voltas Forklift Trucks in a safe and useful condition, detailed information is available. Included are Service Parts Manuals with complete replacement parts in identification which give proper service and overhaul procedure. Additional copies of this Operator's Manual can also be obtained from your nearest Voltas Office.

**SERVICE MANUAL                      PART NO. : DVX30GB-BC-PM02-02**

**OPERATOR'S MANUAL                PART NO. : DVX30GB-BC-OM-02-02**

To provide instructions for safe operating and servicing Voltas Forklift Trucks, each truck is equipped with an operators manual. It describes various operating techniques and safety warnings to the operator. It contains a guide to safe maintenance practices and recommended schedules for maintenance. If the operators manual is missing from any Voltas Forklift Truck, it should be replaced. Replacement copies are available for a nominal fee from your Voltas Office.

## VOLTAS FORKLIFTS



### OPERATOR TRAINING

The Operator and Maintenance program helps Forklift Truck users increase their materials handling production and safety through correct lift truck operations, training and motivation. The Voltas Forklift Truck program is based upon real life experience-not theoretical concepts. We developed a "complete" program that is totally self-contained-incorporating the most modern instructional techniques, including elements of self-study, audio-visual support (both video and slides), and classroom study.

### SERVICE TRAINING COURSES

Operators and service technicians can improve their technical ability for maintaining and repairing Voltas Forklift Trucks and decrease repair time and cost by taking the Voltas Service Training courses. Different types of mechanical, electric and electronic subjects are available. Courses are available at customer locations in addition to regularly scheduled courses which are held at Voltas Limited MHBD, 2<sup>nd</sup> Pokhran Road, Thane (West)-400601.

### COURSES AVAILABLE

#### 1. Training Programme on Diesel & Electric Forklift Trucks

**Objective** : This programme has been designed to equip the customers maintenance personnel who are responsible for daily maintenance of forklift trucks.

**Key Topics** : Diesel Engine Maintenance, Hydraulics, Electricals, Transmission, Fluid coupling, Mechanical Maintenance & Safety.

**Participation:** All the above key topics will be presented by experts drawn from Simpsons Koel, Vickers, Chloride, Lucas & Co-ordinated by all India Service Manager.

**Duration** : 3 Days.

**Venue** : Voltas Technical Training Centre, Thane.

#### 2. Crash Service Training Diesel & Electric Fork Lift Trucks - Major Fleet Owners

**Objective** : To impart in-depth knowledge to customers maintenance & operation personnel at their own Plant / Site.

**Key Topics** : Proper Operational Practices, Overview of Mechanical assemblies, Do's & Don'ts, Routine Maintenance, Preventive Maintenance.

**Participation:** This "On-The-Site" Training will be imparted by all India Service Manager in association with branch service personnel.

**Duration** : 3 Days

**Venue** : At Customers Location Site.

**VOLTAS**  
FORKLIFTS



**TRAINING CALENDAR**

Material Handling Equipment Training Calendar is published every year.

This training calendar gives details of the courses scheduled for the current year, which can be obtained from the nearest Voltas Office.

For additional information or assistance on these programs, contact or write to :

**Voltas Limited,**  
MATERIAL HANDLING BUSINESS DIVISION ,  
2<sup>nd</sup> Pokhran Road,  
Thane (West)-400601.

**FIRST INDIAN MANUFACTURER OF FORKLIFTS AND CRANES  
TO GET THE ISO 9001.**

**VOLTAS**  
FORKLIFTS



**HEAD OFFICE: VOLTAS LIMITED**  
MATERIALS HANDLING BUSINESS DIVISION  
2<sup>nd</sup> Pokharan Road, P. Box No. 72, Thane 400 601  
Tel.022-534 4390 / 534 2647 / 534 1951:  
Fax.: 022-542 7564  
e-mail: [tmanohar@voltas.com](mailto:tmanohar@voltas.com)

**AHMEDABAD 380 001**  
2<sup>nd</sup> Floor, Pushpak, Khanpur  
Tel.: 079-560 1864 / 560 1864  
Fax. 079-560 1330  
e-mail; [mhbdahm@voltas.com](mailto:mhbdahm@voltas.com)

**BANGALORE 560 001**  
37, Kasturba Road, Bangalore,  
Tel: 080-227 2488 / 227 3691  
Fax: 080-227 0172  
e-mail: [mhbdblr@voltas.com](mailto:mhbdblr@voltas.com)

**CHENNAI 600 018**  
503, Anna Salai,  
Tel: 044-434 9118 / 9465 / 8976  
Fax: 044-434 2178  
e-mail: [chemhbd@voltas.com](mailto:chemhbd@voltas.com)

**HYDRABAD 500 018**  
Voltas House, 7-2-1813 / 5A,  
Sanath Nagar  
Tel: 040-370 3820 / 3821 / 3822  
Dir; 040-370 3806  
e-mail: [swaminathan@volta.com](mailto:swaminathan@volta.com)

**JAMSHEDPUR 831 001**  
Voltas House, P. Box No. 52, Bistupur  
Tel: 0657-424276 / 427651  
Fax: 0657-432 201  
e-mail: [skdas@voltas.com](mailto:skdas@voltas.com)

**KOCHI 682 018**  
Vidyniketan Annex, Providence Road,  
Ernakulam,  
Tel: 0484-392 823  
Fax: 0484-395 984  
e-mail: [kkumar@voltas.com](mailto:kkumar@voltas.com)

**KOLKATA 700 001**  
Gillander House, 8, Netaji Subhash Road,  
Tel.: 033-220 7475  
Fax: 033-248 2517 / 243 4345  
e-mail: [mhaldar@voltas.com](mailto:mhaldar@voltas.com)

**LUCKNOW 226 001**  
Saran Chambers, 5, Park Road,  
Tel: 0522-238 536  
Fax: 0522-238 532  
e-mail: [sdatta@voltas.com](mailto:sdatta@voltas.com)

**MUMBAI 400 033**  
Voltas House, Chinchpokli,  
Tel: 022-461 7691 / 4617690  
Fax: 022-3747 990  
e-mail: [anil.joshi@voltas.com](mailto:anil.joshi@voltas.com)

**NEW DELHI 110 044**  
A-43 Mohan Co-op. Ind. Estate  
Mathura Road  
Tel: 011-695 0278 / 0289 / 9042  
Fax: 011-695 0022  
e-mail: [cchakrav@voltas.com](mailto:cchakrav@voltas.com)

**PUNE 411 003**  
14, Mumbai-Pune Road, Wakade wadi.  
Tel: 022-551 1429 / 1430  
Fax: 022-551 2410 /2431  
e-mail: [nssheno@voltas.com](mailto:nssheno@voltas.com)

**VISHAKHAPATTAM 530 016**  
50-81-72, Rajendra Nagar,  
Near B.V.K.College,  
Tel: 0891-562 096 /754 051  
Fax: 0891-754 665  
e-mail: [voltasdivizag@eth.net](mailto:voltasdivizag@eth.net)

**REGD. OFFICE**

Voltas House, A Dr. Babasaheb Ambedkar Road, Chinchpokli

Mumbai 400 033  
Tel: 022-461 7777

<https://www.forklifts.com/>