

PRODUCTI ON ORDER - FORK LI FT

CAL- LI FT I NC	-	MODEL TEC950L	PRODUCTI ON# P23228
13027 CROSSROADS	-	SER # S K1 23228	
PARKWAY SOUTH	-	RELEASE DATE 12051994	I N SERV I CE
CITY OF I NDUSTRY, CA	-	SCH DELI VERY DATE 12091994	CHANCE#
91746		2ND I NSPECTI ON DATE 000000	

EBM	REV CAT. PG		
01 2123	000 01-067	ENG MAKE L10 CUMMINS	PUR ASSY 2339 152
		MOD LT10-C	SER 34742078
02 2206	000 02-2206	Q I L FI LTER 4026 996	
		FUEL TYPE DI ESEL FUEL TANK I 1 22 0493	QTY 000
		FUEL FI LTER 4024 920	
03 2159	000 03-049, 2159	AI R I NTK HSG	I NDI CATR 4043 200
		AI R CLNR 2403 862	MAKE DONALDSON
04 2192	000 04-2192	MUFFLER 2403 144	GUARD 2403 056
05 2160	000 05-2160	RADI ATO R 2404 079	AUX TK
		FAN BELT 4024 167	SHROUD I 0 23 6016
06 2167	000 06-2167	START AID 2324 190	
06B2002	000 06B-2002	BAT 2340 025	QTY 1 LGHT 2320 QTY 06
		I NST. PANEL	GEN ALT 4024 623
		ALT BELT 4024 453	
			SER 94H08-2
		STARTER 4066 315	
			SER 94H16
07 2113	000 07-056	THROTTLE PEDAL 2705 124	CABLE 2704 100
07 2147	000 07-2147	ENG PROTECTI ON SYSTEM	PROTECTI ON SYSTEM
09 2082	000 09-082, 406	TRANS. MAKE TAYLORTC34ES	PUR ASSY. 2547 637
		MOD 16. 4HR343556	SER RBEA370112
	09-658, 659	ASSEMBLY W/ENG ASSY.	
09A2097	000 09A-2097	COOLER 2568 019	
09B2048	000 09B-2048	FI LTER 2404 338	ELEMENT 4044 454
09C2080	000 09C-2083	CONTROLS RNCE	FWD REV
09C2083	000	I NCH NG	
11 2054	000 11-040	DRV. SHAFT MAI N I 1 24 0327	CROSS 1930 110
13 2068	000 13-053	STEER AXLE TAYLOR	ASSY I 1 26 2557
14 2116	000 14-075	DRI VE AXLE 5324	PUR ASSY. 2070 101
		RATI O 5.29	SER 26491-303210-05
		TMWASSY I 1 04 0316	
15 2160	000 15-2160	BRAKES TYPE W/DI SC	ACTUATOR 2243 396
		COMPRESSOR W/ENG 55296	
		SER 1H1994M	
15A2098	000 15A-2098	AI R TANKS 2243 403	01
16 2154	000 16-215, 216	STEER COLUMN 2536 359	COI TROL 2537 022
16A2023	000 16-2154	RELI EF VALVE 2536 299	
17 2147	000 17-109	TI RES STEER 1800 R 25 RL3T(GOODYEAR) 120P	QTY 01
		TI RES DRI VE 1800 R 25 RL3T(GOODYEAR) 120P	QTY 01



			RIMS STEER 2657 001	2 SPACER 2660 101	0
			RIMS DRIVE 2657 001	4 BANDS	0
18	2081	000	MAIN FRAME I 1 01 1500		
19	2143	000	19-037,050	BODY HULL I 1 01 1512	
20	2131	000	20-226,227	CAB	
20	2124	000	20-005	WPERS FRT. 3249 271	REAR
20A	2082	000	20A-2082	HEATER 3249 059	01
				DEFROSTER FRONT W/HEATER	REAR
21	2060	000	21-011	SEAT 3226 363	STAND
22	2239	000	22-534,2233	HYD TANK I 1 22 0529	STRAINER
22A	2579	000	22A-2579	ACCESS.	
			23-054	PUMP MAIN 2748 151	MOD 323 9120 078
				SER N084-17395	
				ACC PUMP W/MAIN	MOD
			24-069	VALVES LI FT 2797 142	MOD V38SD2122500
				SER F94R002	
			24-079	ACCESS. 2797 166	QTY 01
26	2035	000	24-066	TILT LOCK VALVE 2828 702	
			26-430	CYLS. LI FT 2772 364	QTY 02
			26-390	TILT I 1 26 2644	QTY 02 KIT 5239 078
			26-195	STEER I 1 26 1997	QTY 01 KIT 5239 079
			26-366	SIDE I 1 26 2100	QTY 01 KIT 5239 070
29	2495	000	27-058	MAST LI FT HGT. 32' 6	FREE LI FT I N
				RIG D TELE X ULTRA WJ HD STD X	
				INNER I 1 17 6913	CUTER I 1 17 6967
27C	2042	000	27-718	LI FT CHAIN 3219 076	LENGTH 43'
27B	2041	000	27-310,412	ROLLERS MAIN I 1 17 1602	SIDE I 1 17 1779
27D	2036	000	27-223,613	THRUST	
				ROLLERS CHAIN I 1 17 6748	
29	2506	000		CARR TYP FOR SPREADER COMPLT ASSY I 1 18 4975	
28B	2009	000		SLI NGS	QTY 00
29	2830	000	29-416	OTHER ATT. 2040TPA(TAYLOR) SER#29-032-923	
30	2052	000		PLATES/DECALS	
30	2055	000	31-600,700	SPECI AL TOOLS	
32	2112	000		PAI NT RED	



STEER AXLE CHASSIS WT.	067100	LBS
BASIC CAPACITY	095000	LBS @048.00 L.C.
	000000	LBS @000.00 LC UP TO 00000
	000000	LBS @000.00 LC UP TO 00000
	000000	LBS @000.00 LC UP TO 00000
	000000	LBS @000.00 LC UP TO 00000
	000000	LBS @000.00 LC UP TO 00000
	000000	LBS @000.00 LC UP TO 00000
	000000	LBS @000.00 LC UP TO 00000
WEIGHT ON STEER AXLE	052550	
WEIGHT ON DRIVE AXLE	104250	
TOTAL WEIGHT	156800	



LOUISVILLE, MISSISSIPPI

PRODUCTION SALES ORDER AND MACHINE INDEX

ADDITIONAL INFORMATION SHEET

SOLD TO  
 CAL-LIFT INC  
 13027 CROSSROADS  
 PARKWAY SOUTH  
 CITY OF INDUSTRY, CA

MODEL TEC950L  
 SERIAL # SK1 23228  
 RELEASE DATE 12051994  
 DELIVERY DATE 12091994

PRODUCTION# P23228  
 IN SERVICE  
 CHANGE#

ITEM #	REV	CAT. PG	ADDITIONAL INFORMATION	INSPECTION DATE
01			ACCESSORY PACKAGE	000000
02	06A2237	000	CONT. ELECT.	
03	06A2102	000	06A-2102 BATT. CABLE CIR.	
04	29 2808	000	27-613 ATT. ROLLER GP.	
05	29 2508	000	2- CABLE HMD	
06	29 2633	000	MIRROR GP.	
07	06A2127	000	06A-2127 ENG PREHEATER, ENG OIL PAN, HYD. OIL HEATER & BATTERY WARMER GP.	
08	29 2668	000	7.5 KW GEN SET W/4 SODIUM LIGHTS GP. SER#F943193666 MOD#7. 50KDFJ	
09	15A2082	000	15A-2082 AIR DRYER GP.	
10			TOP W/PER LIN CAB	
11		23-055	ACC. PUMP 2748 156 MOD#326 9121 510 SER#N084-156	
12	2797 166	000	24-079 SPREADER VALVE MOD#3797 166 SER#H094-395	
13			CYLS. LIFT (1) 2772 364 MOD#S81FC-2-195 SER#Z104-2296 (1) 2772 364 MOD#S81FC-2-195 SER#Z104-2300	
		26-382	SLEW(2)I 1 26 2102	
		26-376	EXT. (2)I 1 26 1960	
		26-375	TWSTLOCK(2)I 1 26 1240	
14			CAP. AS EQUIP. 80,000 TO 156" @102.75 75,000 TO 240" @102.75 67,200 TO 240" @102.75	
15		TABS:		
16		01-0000		
17		01-0001		
18		01-0002		
19		09-0000		
20		13-0000		
21		15-0000		
22		16-0000		
23		17-0000		
24		22-0000		
25		27-0000		
26		30-0000		
27			SHIPPED 1 PARTS N/C 3-23-95	
31			1 98 0800 WAS ADDED ON 2/25/98	
32			SHIPPED 1 CP & 1 SHOP CD CHG 8-25-08	





# Parts Manual

## General Information

**Power Unit** 

**Power Transfer** 

**Axles** 

**Brake Control System** 

**Steering Control System** 

**Chassis** 

**Hydraulic System** 

**Attachments** 

**Miscellaneous** 



---

**Sudden Service, Inc.**  
649 North Church Avenue  
Louisville, Mississippi 39339-2017  
Phone (662) 773-8056 Fax (662) 773-9157  
Web Site: [www.taylorbigred.com](http://www.taylorbigred.com)  
<https://www.forkliftpdfmanuals.com/>



## Contents

<b>PSO &amp; Page No. Prefix(s)*</b>	<b>Functional Group</b>
01-07 .....	Power Unit
08-12 .....	Power Transfer
13-14 .....	Axles
15 .....	Brake Control System
16 .....	Steering Control System
17-21 .....	Chassis
22-26 .....	Hydraulic System
27-29 .....	Attachments
31-32 .....	Miscellaneous

\* Code number prefixes, arrangement of material in this manual, and instructions for locating information are explained on the following pages.



## Instructions For Using This Manual

This Parts Manual has been assembled for the individual model and serial number machine from original manufacturing records. A copy of this original record (called a **Production Sales Order**, or **PSO** for short) appears at the beginning of this manual.

Not only is the PSO a complete record of the identification numbers of the machine's original components, **it is actually an index of the material in this manual.** Only pages pertaining to a specific machine are included in the manual making consecutive page numbers impractical.

Note the two columns on the left side of the PSO. The first column is used to record the Engineering Bill of Materials (EBM) issued to a specific machine serial number. The second column lists the corresponding parts manual page number. **Note:** If there is no formal printed catalog page to cover the item or group in question, refer to the EBM group number when ordering parts; this enables factory parts and service personnel to research original manufacturing records and identify parts.

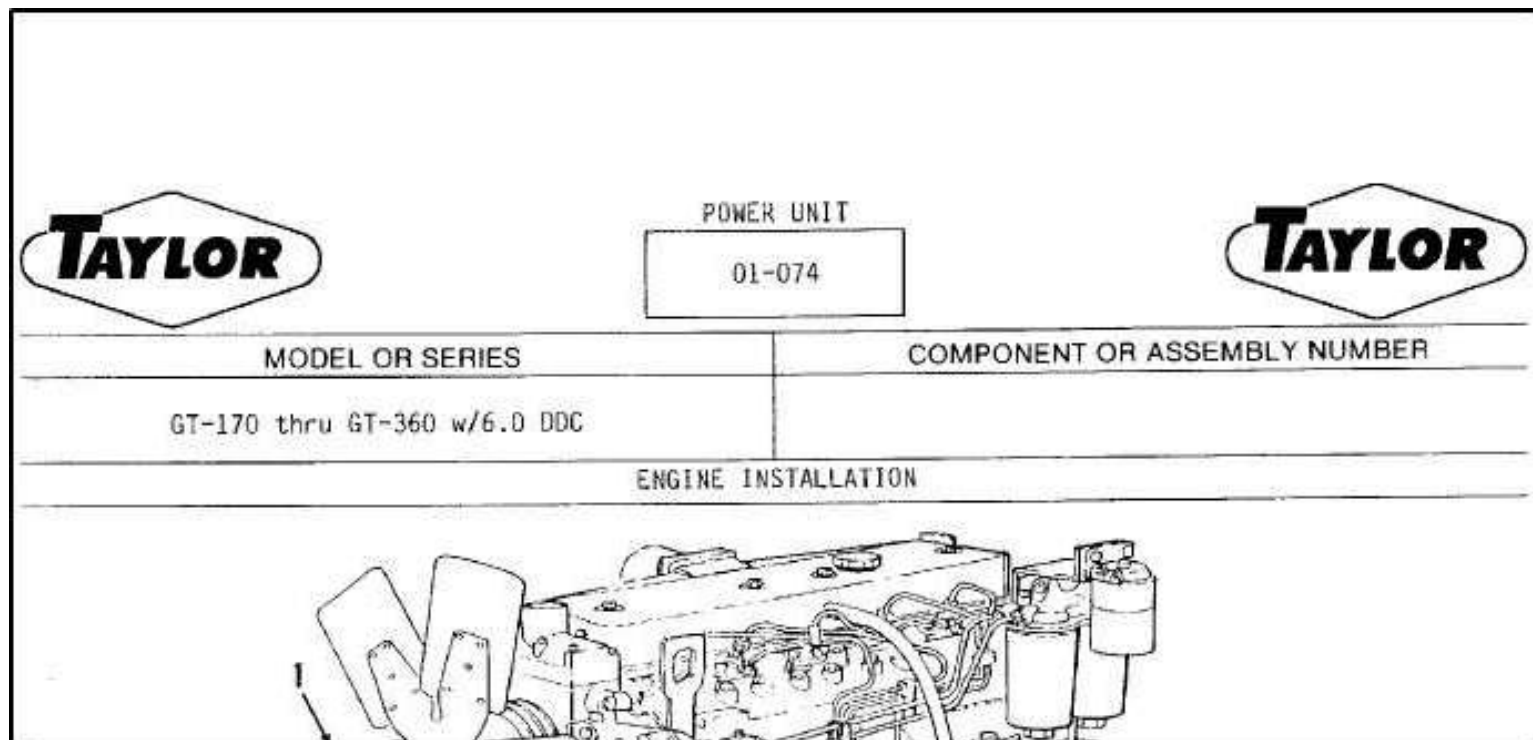
**Functional Group Order.** This manual is arranged by functional group order. All components listed on the PSO card have a code number and the corresponding parts manual page uses that same number. Pay particular attention to the **Code Number Prefixes.**

For example, in the "**Cat Pg**" Column of the PSO note that all items in the functional group "Power Unit" carry number prefixes of 01- through 07-. (See Figure 1 below, a fragment of a PSO.) The remainder of the code number refers to the specific part or component.

Thus, in the code number "01-074" the "01" refers to the **Engine;** "074" refers to the **Specific Engine** installed in the machine.

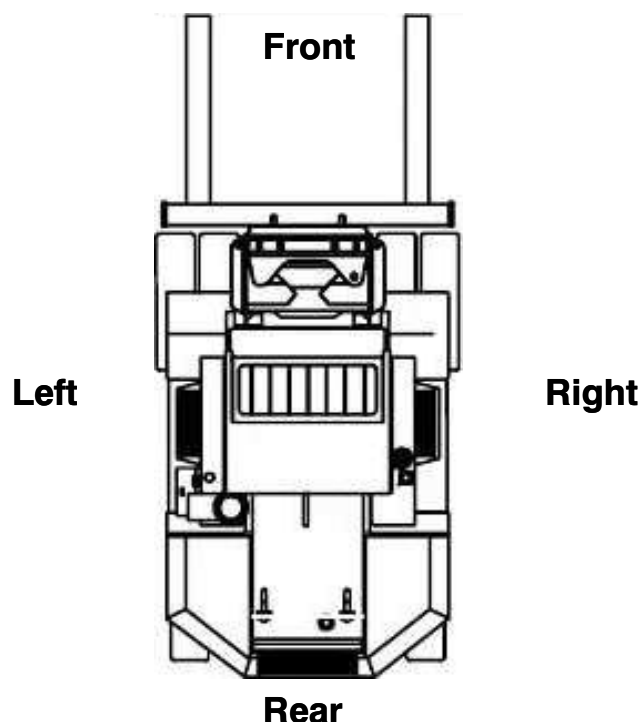
E B M		C A T . P G .		P R O D U C T I O N   O R D E R --- F O	
				M O D E L	
				S E R . #	
				R E L E A S E   D A T E	
				S C H . D E L I V E R Y   D A T E	
01	2149	01-074	205	ENGINE-MAKE DD 6.0	PL
				MOD. YA70245	
				-ASSY	OIL

In the illustration below, a fragment of a parts manual page, the number on the PSO corresponds to the “page number” of the parts manual.



All parts pages developed for a specific machine are placed in numerical sequence behind the appropriate **Functional Group** tab.

**Product Improvement.** It is standing policy to make improvements in material and design whenever possible. New machines may incorporate features not found on earlier models, and new or improved components not presently covered in manuals may also be used on other machines. Should you experience any difficulty in identifying parts, please contact your parts and service support representative.



### Left- and Right-hand Descriptions

For clarity, **Left Hand** (LH) and **Right Hand** (RH), **Front**, and **Rear** descriptions are used only when necessary and generally mean “as you sit in the driver’s seat.”

## **Abbreviations Used in This Publication**

/ .....	And, or, &	M .....	Male
ADJ .....	Adjust	MAX .....	Maximum
ALT .....	Alternator	MFR .....	Manufacturer
AR, A/R .....	As Required	MIN .....	Minimum
ASSY .....	Assembly	MOD .....	Model
ATT .....	Attachment	MTG .....	Mounting
BRG .....	Bearing	N.S.S. ....	Not Serviced (Sold) Separately
CAP .....	Capacity	OBS .....	Obsolete
CAP SCR ...	Cap Screw	PKG .....	Packing
COM'L .....	Commercial	PNEU .....	Pneumatic
CONT .....	Control	PSI .....	Pounds Per Sq. Inch
CTSK .....	Countersunk	PTO .....	Power-take-off
DBL .....	Double	REG .....	Regulator
DIFF .....	Differential	REV .....	Reverse
EXH .....	Exhaust	RPM .....	Revolutions per Minute
EXT .....	Extension	SCR .....	Screw
F .....	Female	SER .....	Series
FWD .....	Forward	S/N (or SER. NO.)	Serial Number
GEN .....	Generator	SKT .....	Socket
HD .....	Heavy Duty	S.O. ....	Special Order
HDWE .....	Hardware	SPKT .....	Sprocket
HP .....	Horsepower	TACH .....	Tachometer
HVY .....	Heavy	TELE .....	Telescopic
HYD .....	Hydraulic	X HVY .....	Extra Heavy
IGN .....	Ignition	TRANS .....	Transmission, Transfer
INT .....	Internal	WDF .....	Woodruff
LG .....	Long	WLDMT .....	Weldment
MACH .....	Machine		







**Power Unit** ██████████

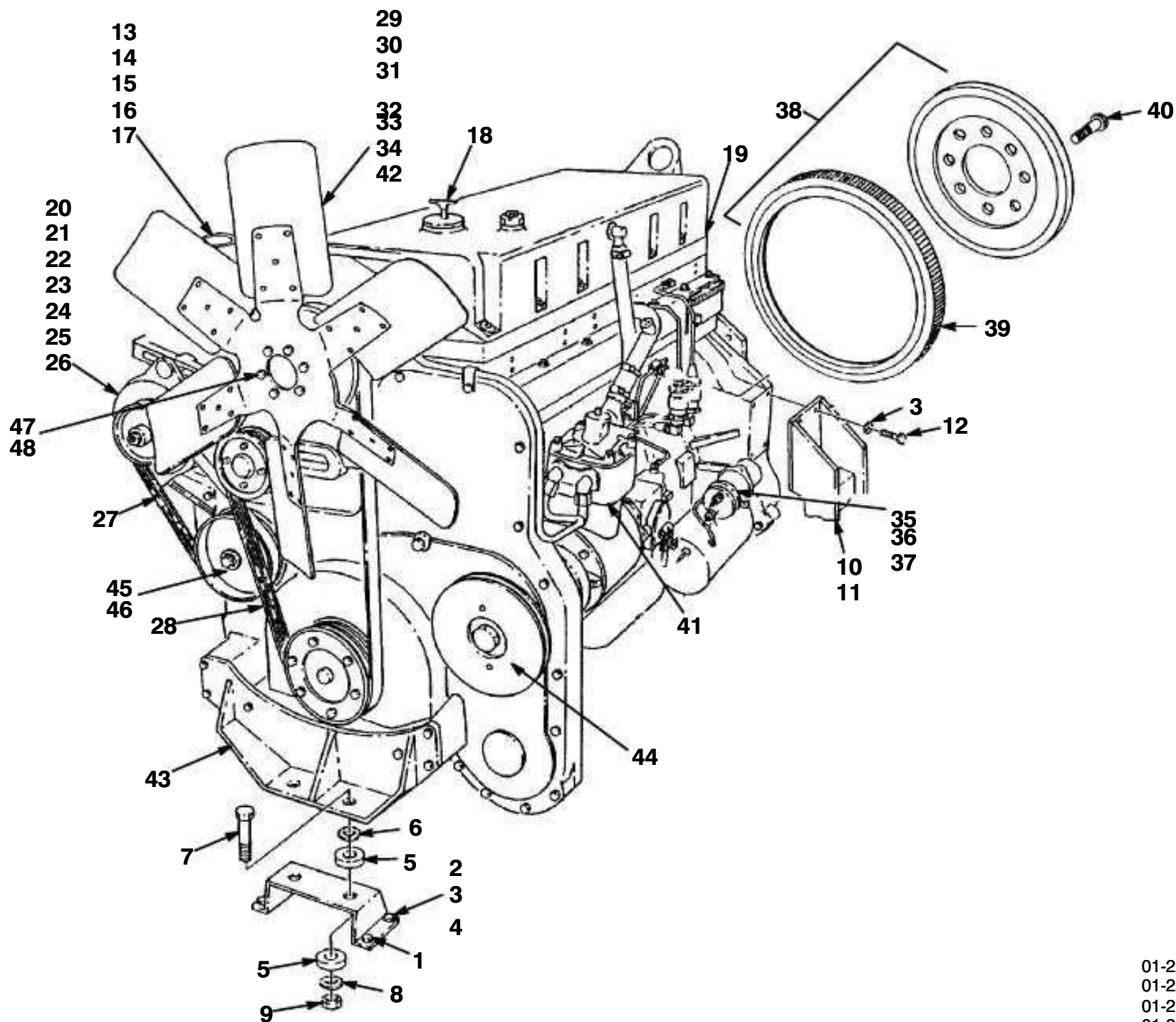
<u>Functional Group</u>	<u>Section</u>
Engine .....	01
Fuel System .....	02
Air Intake .....	03
Exhaust .....	04
Cooling System .....	05
Electrical System .....	06
Instruments and Controls .....	07



Power Unit  
01-067  
Engine Installation

# Taylor

MODEL OR SERIES	COMPONENT OR ASSEMBLY NUMBER
TE-800S, TE-800L, TE-900S, TE-925S, TEC-920L, TEC-950L, TEFC-950L, & TECP-950L w/LT-10 Cummins	



01-2204  
01-2205  
01-2123  
01-2158

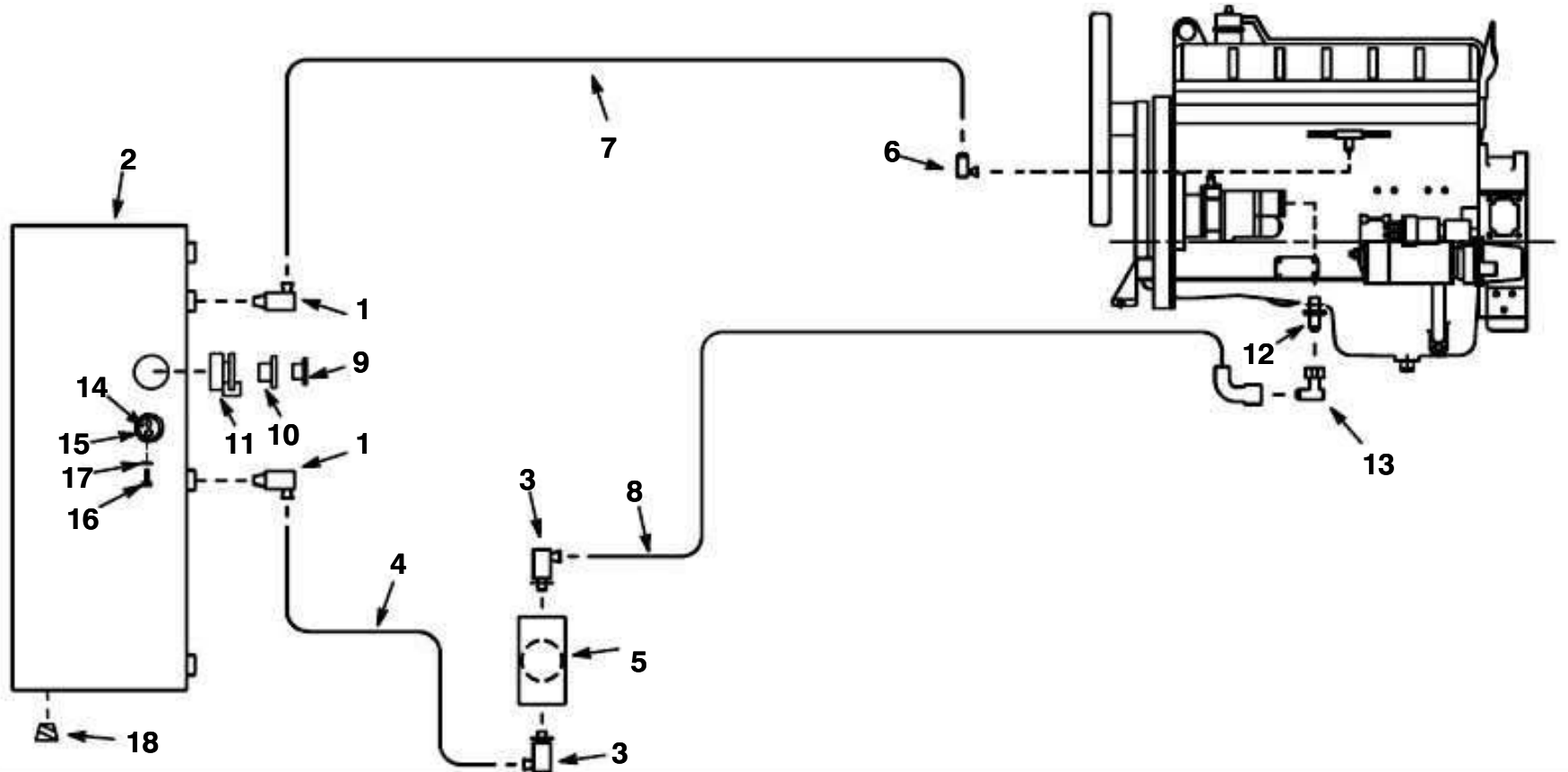
ITEM	PART NUMBER	DESCRIPTION	QTY.
1	I-1-23-2958	SUPPORT ASSEMBLY, Front Engine	1
2	1080-500	BOLT, 5/8" - 18 NF x 5"	4
3	1430	WASHER, 5/8" Hard	16
4	1294	NUT, 5/8" NF	4
5	3255-119	MOUNT, Rubber	4
6	I-0-23-5939	SPACER	2
7	1185-001	BOLT, 3/4" - 10 NC x 4-1/4"	2
8	I-0-23-5942	WASHER, Snubbing	2
9	1369	NUT, Lock, 3/4" NC	2
10	I-1-23-2961	MOUNT ASSEMBLY, Transmission L.H.	1
11	I-1-23-2960	MOUNT ASSEMBLY, Transmission R.H.	1
12	1174-010	BOLT, 5/8" - 11 NC x 1-3/4", Gr. 8	4
12A	1174-025	BOLT, 5/8" - 11 NC x 2", Gr. 8	4
13	4024-201	THERMOSTAT	1

Power Unit  
**01-067A**  
 Engine Installation

# Taylor

MODEL OR SERIES		COMPONENT OR ASSEMBLY NUMBER	
TE-800S, TE-800L, TE-900S, TE-925S, TEC-920L, TEC-950L, TEFC-950L, & TECP-950L w/LT-10 Cummins			
ITEM	PART NUMBER	DESCRIPTION	QTY.
14	4024-237	HOUSING, Thermostat	1
15	4024-238	SUPPORT, Thermostat Housing	1
<del>16</del>	<del>4024-239</del>	<del>GASKET, Thermostat Housing</del>	<del>1</del>
17	4024-240	GASKET, Support	1
18	4024-177	CAP, Filler	1
19	4024-178	GASKET, Valve Cover	1
20	4066-317	ALTERNATOR	1
20A	4024-623	ALTERNATOR, 100 Amp	1
21	4024-202	ADJUSTOR, Alternator Link	1
22	4024-203	SCREW, Alternator	1
23	4024-204	RETAINER, Alternator	1
24	4024-205	SUPPORT, Alternator	1
25	4024-206	BRACE, Alternator	1
26	4024-207	PULLEY, Alternator	1
27	4024-208	BELT, Alternator	1
27A	4027-453	BELT, Alternator (100 Amp)	1
28	4024-167	BELT, Drive	1
29	4024-168	SUPPORT, Fan	1
30	4024-169	PULLEY, Fan	1
31	4024-170	IDLER, Pulley	1
32	4024-171	HUB, Fan	1
33	4024-175	FAN	1
34	4024-235	SPACER, Fan	1
35	4066-315	STARTER	1
36	4066-316	DRIVE ASSEMBLY	1
37	4066-040	SOLENOID	1
38	4024-172	FLYWHEEL ASSEMBLY (For Fiber Drive)	1
38A	4024-621	FLYWHEEL ASSEMBLY (For Flexplate Drive)	1
39	4024-174	GEAR, Ring	1
40	4024-173	SCREW	8
41	4024-587	COMPRESSOR, Air	1
42	4026-011	BEARING, Fan Hub	1
43	4024-922	SUPPORT, Front Engine	1
44	4024-940	PULLEY, Accessory Drive	1
45	4024-627	PULLEY, Water Pump	1
46	4024-941	PUMP, Water (3 Bolt Mounting)	1
46A	4026-648	PUMP, Water (4 Bolt Mounting)	1
47	2364-102	BOLT, 3/8" - 16 NC x 2-1/4", Gr. 8	6
48	1420-100	WASHER, 3/8", Hard	6
NI	4024-189	DIPSTICK	1
NI	4024-426	SPACER, Flywheel	1
NI	4024-187	CONNECTOR, Dipstick Tube	1
NI	4024-188	TUBE, Dipstick	1
NOTE: For Part Numbers On Filter Elements See Page 31-700			

MODEL OR SERIES	COMPONENT OR ASSEMBLY NUMBER
TEC-920L, TEC-950L, TEFC-950L, TE-800L, TE-900S, TE-925S	



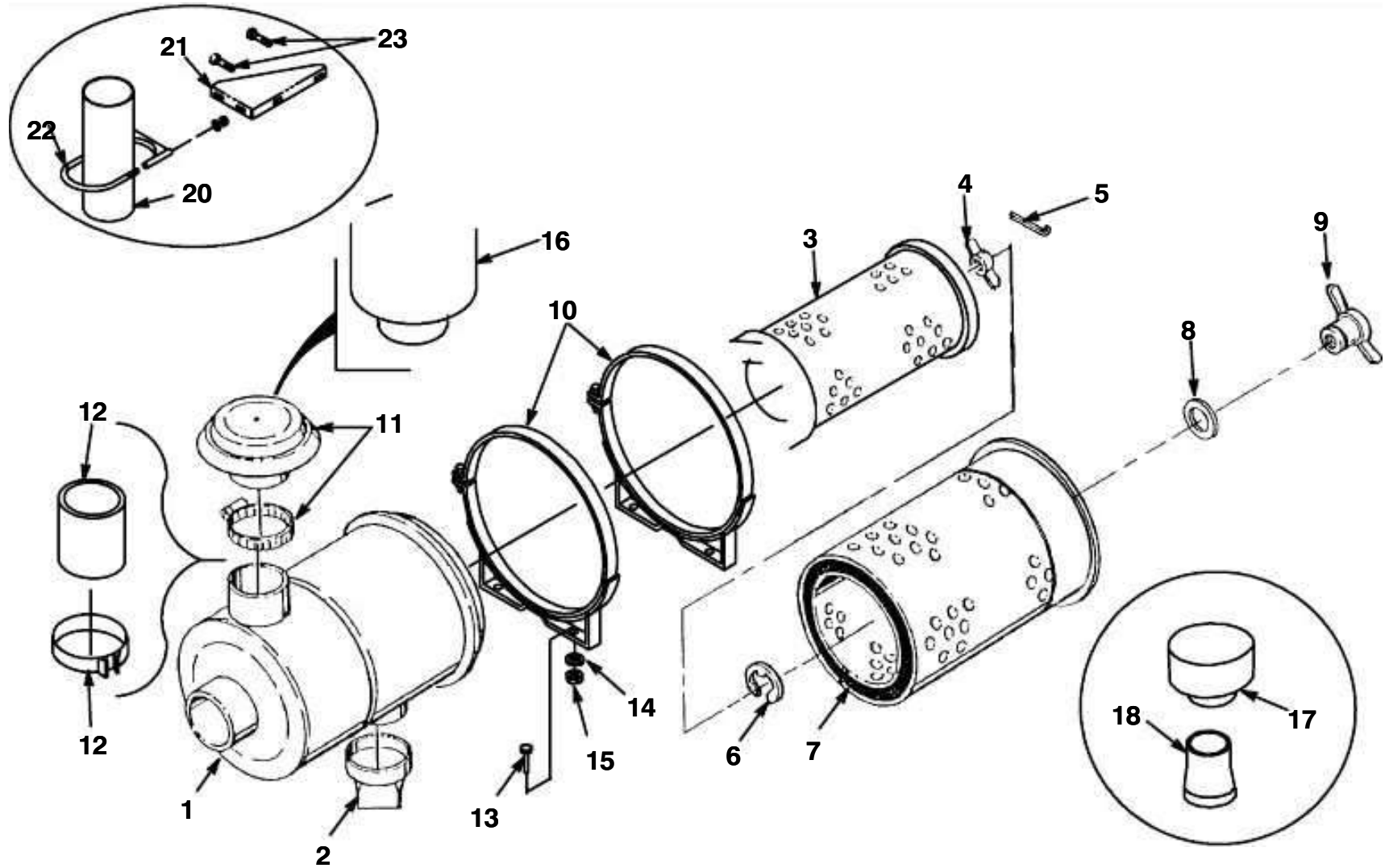
ITEM	PART NUMBER	DESCRIPTION	QTY.
1	2950	ADAPTER, 1/2", 90°	2
2	See P.S.O.	TANK, Fuel	1
3	3013-040	ADAPTER, 7/8" x 1/2", 90°	2
4	I-1-32-1136	HOSE ASSEMBLY, 1/2" x 67"	1
5	I-0-23-6102	BRACKET, Fuel Filter	1
6	3013-010	ADAPTER, 3/4", 90°	1
7	I-1-32-1938	HOSE ASSEMBLY, 1/2" x 95"	1
8	I-1-32-1939	HOSE ASSEMBLY, 1/2" x 104"	1
9	2720-250	CAP, Fuel	1
10	2720-270	STRAINER	1
11	2720-125	NECK, Filler	1
12	2947-850	FITTING, 3/4" x 7/8", St.	1
13	1665-130	FITTING, 7/8", 90°	1
14	2733-153	SENDER, Fuel	1
15	2733-260	GASKET, Fuel Sender	1
16	1223	BOLT, #10 - 24 NC x 1/2"	5
17	1377	LOCKWASHER, 3/16"	5
18	1489	PLUG, 1-1/4"	2



Power Unit  
**03-049**  
 Air Cleaner Assembly

# Taylor

MODEL OR SERIES	COMPONENT OR ASSEMBLY NUMBER
See P. S. O.	2403-862



ITEM	PART NUMBER	DESCRIPTION	QTY.
	2403-862	AIR CLEANER ASSEMBLY, Complete	
1	N.S.S.	BODY, Air Cleaner	1
2	4044-400	VALVE	1
3	4044-446	ELEMENT, Safety	1
4	4044-342	INDICATOR, Filter	1
5	1459	PIN, Cotter	1
6	4044-401	CLIP, Wing Nut Retaining	1
7	4044-447	ELEMENT, Primary	1
8	4044-329	WASHER, Gasket	1
9	4044-445	NUT, Wing	1
10	2403-863	STRAP, Mounting	2
11	2403-140	HOOD ASSEMBLY	1
12	I-0-80-1874	PIPE, Extension (For use on RTG-9040S; RTGP-9040S; RTGP-9040)	1
13	1120-100	BOLT w/ WASHER, 3/8" -16 NC x 1"	4
14	1420	FLATWASHER, 3/8"	4
15	1315	NUT, 3/8" -16 NC	4
16	1006-595	PRECLEANER, TaylorMax, 7-1/8"	1
16A	1006-597	PRECLEANER, TaylorMax, 7-1/4"	1
17	1006-550	PRECLEANER, TaylorMax, 6"	1
18	1006-226	ADAPTER, 6" to 7"	1
19	2000-729	CLAMP (used with I-0-80-1874)	1
20	I-0-23-5804	TUBE, Intake	1
21	I-0-2310798	BRACKET, Snorkel Mounting	1
22	2387-027	CLAMP	1
23	1120-100	BOLT, 3/8" - 16 NC x 1"	2

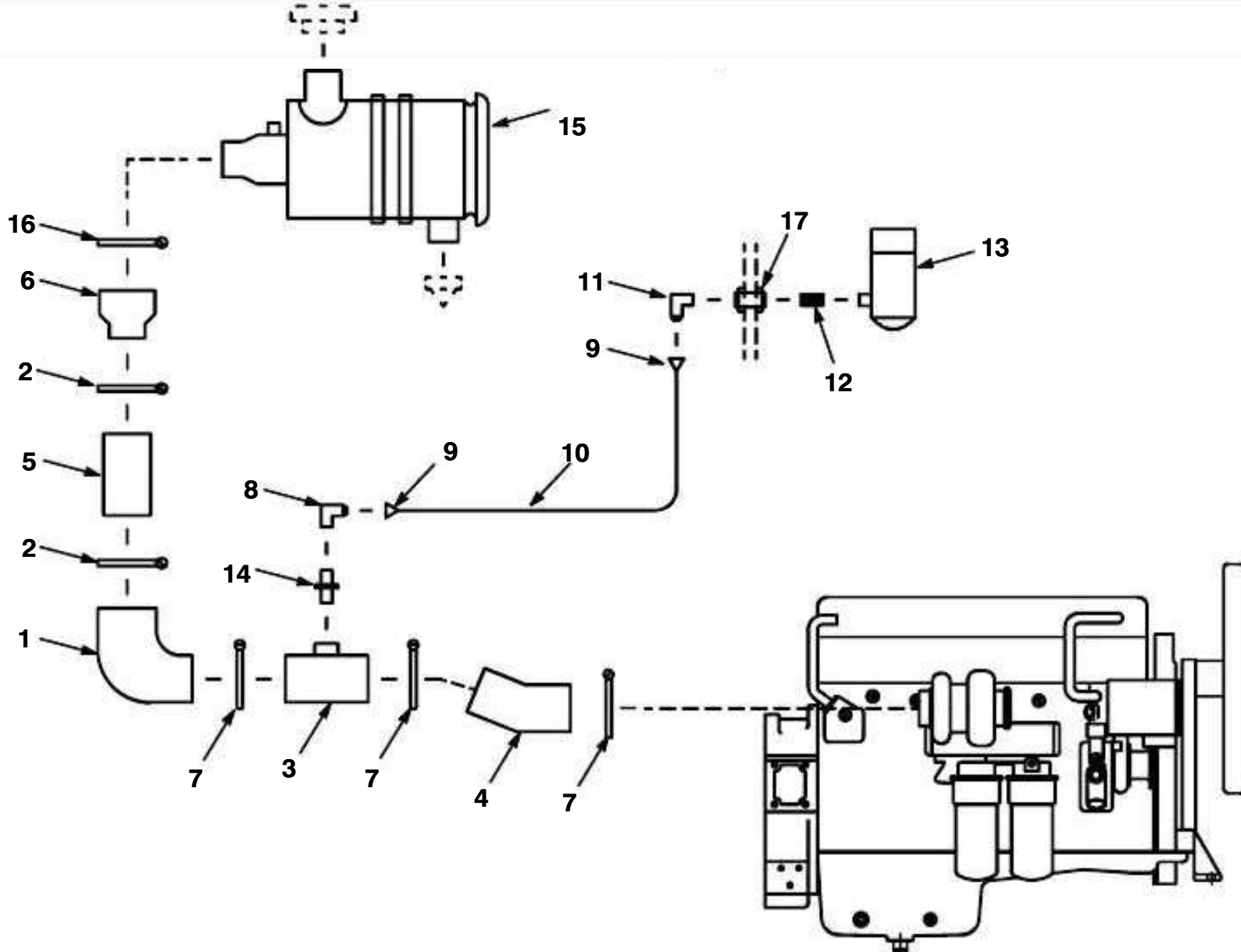




Power Unit  
**03-2159**  
 Air Intake Circuit

# Taylor

MODEL OR SERIES	COMPONENT OR ASSEMBLY NUMBER
TE-800L thru TE-1100L; TE-900S thru TE-950S; TELS-800; TEC-920L thru TETC-1100	



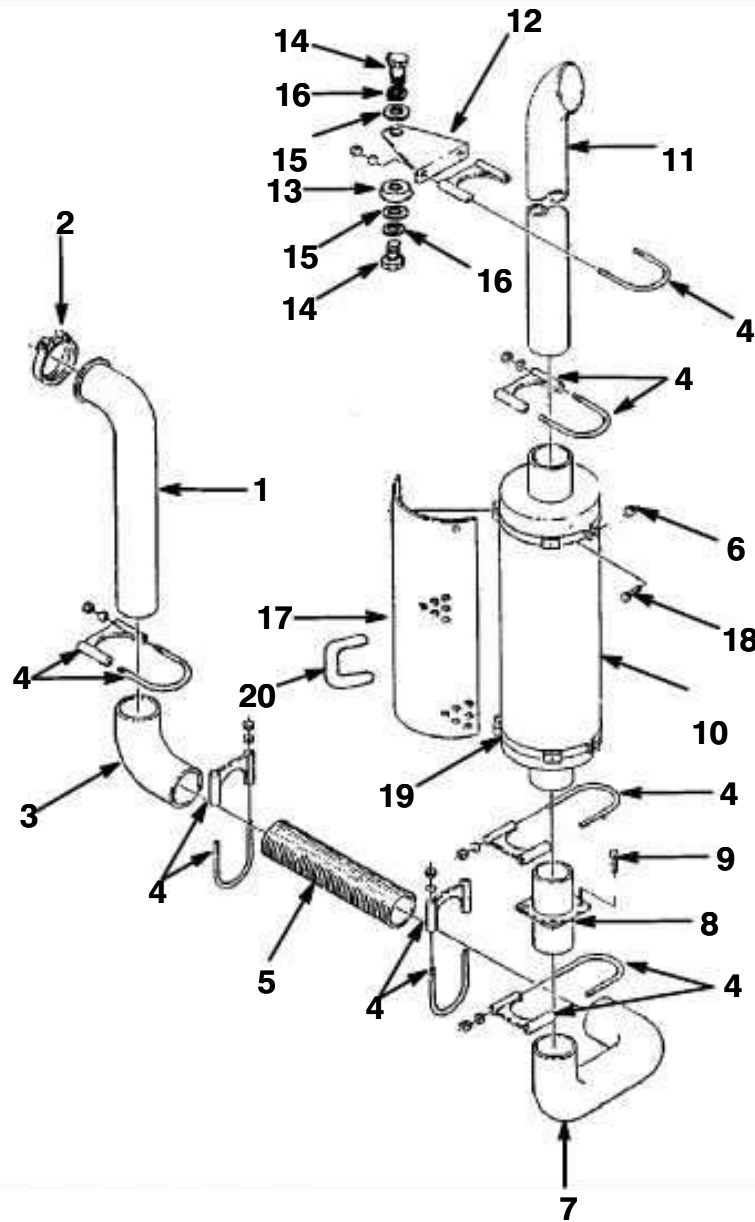
ITEM	PART NUMBER	DESCRIPTION	QTY.
1	2379-008	ELBOW, 5" x 4", 90°	1
2	2403-652	CLAMP, Hose, 5"	2
3	I-1-23-2508	TUBE ASSEMBLY, Intake	1
4	2378-114	ELBOW, 4" x 22"	1
5	I-0-23-3392	TUBE, Intake, 5" x 5-1/2"	1
6	2403-964	HOSE, 5" x 6"	1
7	2403-400	CLAMP, Hose, 4"	3
8	1665-125	FITTING, 1/8" x 7/16", 90°	1
9	2947-250	FITTING, Female	2
10	2836	HOSE, Air, 1/4"	AR
11	2243-730	FITTING, 1/8" x 7/16", 90°	1
12	1665-101	NIPPLE, 1/8"	1
13	4043-200	INDICATOR	1
14	2403-475	SAFETY, Fitting	1
15	See P.S.O.	AIR CLEANER ASSEMBLY	1
16	2403-653	CLAMP, Hose, 5-1/2"	1
17	2243-858	BULKHEAD, 1/8"	1



Power Unit  
**04-2192**  
 Exhaust System

# Taylor

MODEL OR SERIES	COMPONENT OR ASSEMBLY NUMBER
TE-800L; TE-900S thru TE-950; TEC-920 & TEC-950L	



04-2275

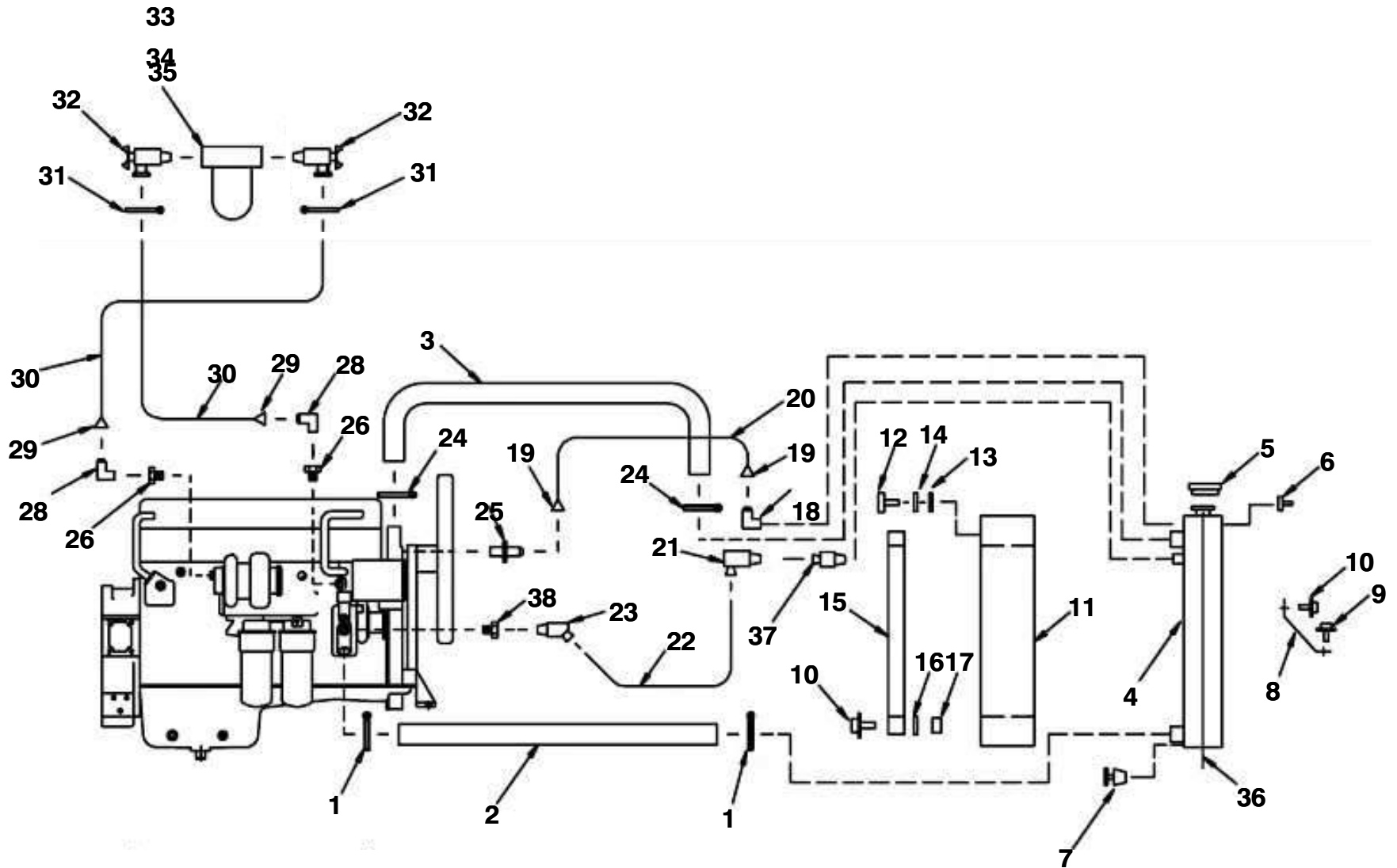
ITEM	PART NUMBER	DESCRIPTION	QTY.
1	I-1-23-3022	EXHAUST ASSEMBLY	1
2	4026-260	CLAMP, V-Band	1
3	2403-393	ELBOW, Exhaust	1
4	2387-015	CLAMP, Exhaust	8
5	I-0-23-6074	TUBING, Flex	1
6	1315	NUT, 3/8" NC	2
7	I-1-23-3014	ELBOW ASSEMBLY, Exhaust	1
8	I-1-23-3015	MUFFLER ADAPTER ASSEMBLY, Exhaust	1
9	1120-100	BOLT w/WASHER, 3/8" - 16 NC x 1"	4
10	2403-144	MUFFLER	1
11	2403-116	PIPE, Exhaust	1
12	I-0-01-5280	BRACE, Pipe	1
12A	I-0-01-6757	BRACE, Pipe	1
13	3255-139	BUSHING, Rubber	1
14	1152-950	BOLT, 1/2" - 13 NC x 3/4"	1
15	1426	FLATWASHER, 1/2"	2
16	1396	LOCKWASHER, 1/2"	2
17	2403-341	GUARD, Muffler	1
18	1133	BOLT, 3/8" - 16 NC x 3"	2
19	2403-338	RING, Guard Mounting	2
20	2403-343	HANDLE	1



Power Unit  
**05-2160**  
 Engine Cooling Circuit

# Taylor

MODEL OR SERIES	COMPONENT OR ASSEMBLY NUMBER
TEC-920L & TEC-950L w/LT-10 Cummins	



ITEM	PART NUMBER	DESCRIPTION	QTY.
1	2403-658	CLAMP, Hose, 2-1/2"	4
2	I-0-32-0516	HOSE, 2-1/2" x 36"	1
3	I-0-32-0517	HOSE, 2-1/4" x 45"	1
4	2404-079	RADIATOR	1
5	2404-346	CAP, Radiator, 7 psi	1
5A	2404-212	CAP, Radiator, 15 psi	1
6	5593-194	GLASS, Sight	2
7	1749-025	PLUG, Drain	1
8	I-0-01-5155	BRACE	2
9	1141-010	BOLT w/WASHER, 7/16" - 18 NC x 3/4"	4
10	1120-100	BOLT w/WASHER, 3/8" - 16 NC x 1"	8
11	I-1-23-4314	SHROUD, Radiator	1
11A	I-1-23-4367	SHROUD, Radiator (Used with Fan Clutch)	1
12	1114	BOLT, 5/16" - 18 NC x 3/4"	8
13	1417	FLATWASHER, 5/16"	8
14	1381	LOCKWASHER, 5/16"	8
15	I-0-23-6017	PLATE, Shroud Opening	1
16	1420	FLATWASHER, 3/8"	4
17	1315	NUT, 3/8" NC	4





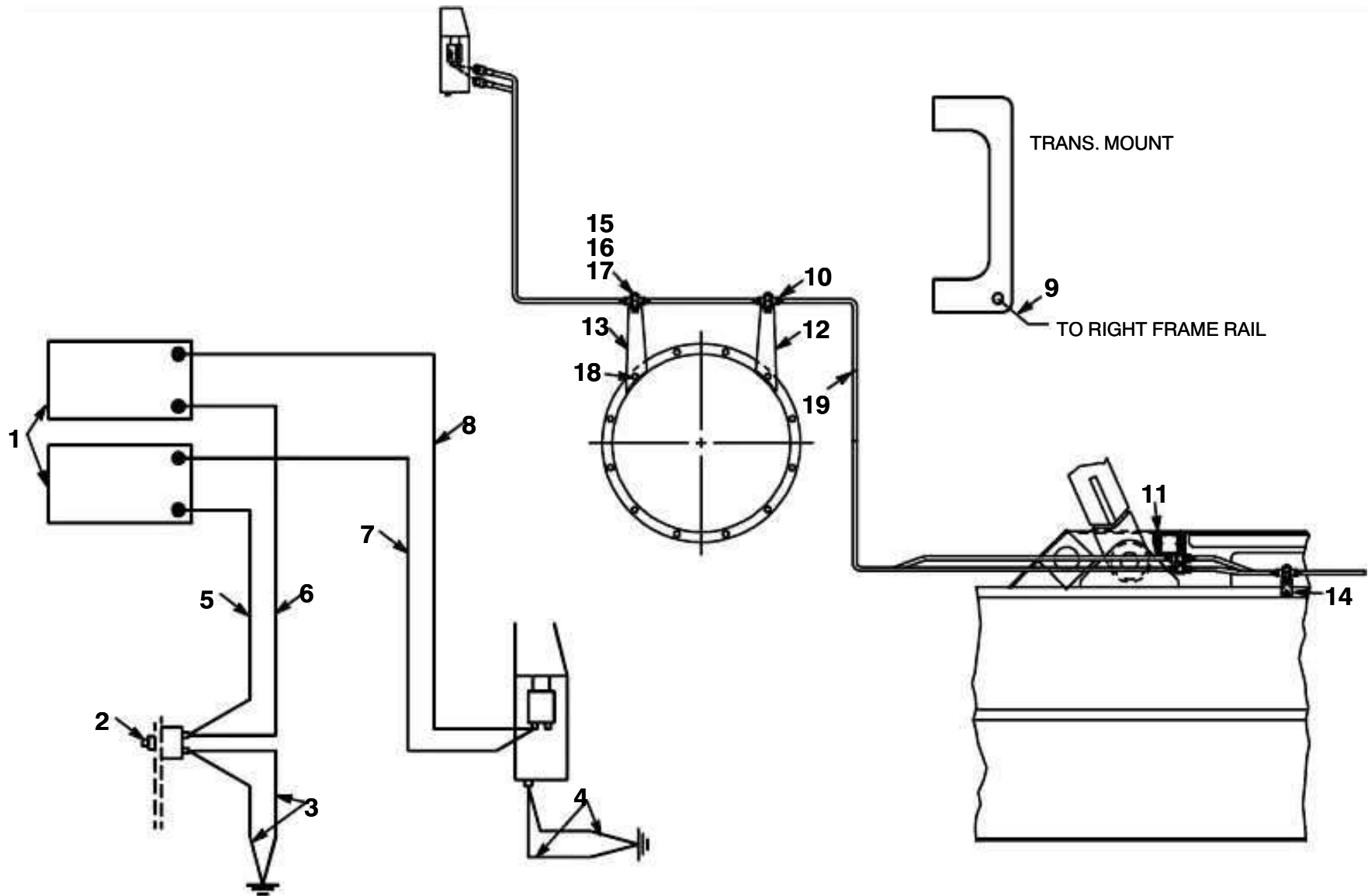




Power Unit  
**06A-2102**  
 Battery Cable Circuit

# Taylor

MODEL OR SERIES	COMPONENT OR ASSEMBLY NUMBER
TEC-920L, TEC-950L & TEFC-950L	



ITEM	PART NUMBER	DESCRIPTION	QTY.
1	2340-025	BATTERY	2
2	2316-500	SWITCH, Master	1
3	I-1-29-0379	BATTERY CABLE ASSEMBLY, 90" Lg.	2
4	I-1-29-0042	BATTERY CABLE ASSEMBLY, 15" Lg.	2
5	I-1-29-0081	BATTERY CABLE ASSEMBLY, 85" Lg.	1
6	I-1-29-0048	BATTERY CABLE ASSEMBLY, 96" Lg.	1
7	I-1-29-0236	BATTERY CABLE ASSEMBLY, 108" Lg. (For LT-10 Cummins)	1
7A	I-1-29-0378	BATTERY CABLE ASSEMBLY, 81" Lg. (For 3306 Caterpillar)	1
8	I-1-29-0399	BATTERY CABLE ASSEMBLY, 120" Lg. (For LT-10 Cummins)	1
8A	I-1-29-0377	BATTERY CABLE ASSEMBLY, 93" Lg. (For 3306 Caterpillar)	1
9	I-1-29-0082	BATTERY CABLE ASSEMBLY, 12"	1
10	I-0-29-0418	INSULATOR, Hose Battery Cable	8
11	I-1-23-5011	SUPPORT, L.H. Floorboard	1
12	I-1-23-5012	SUPPORT, R.H. Battery Cable	1
13	I-1-23-5013	SUPPORT, L.H. Battery Cable	1
14	I-1-23-5014	CLAMP, Battery Cable	1
15	1709-057	CLAMP, 7/8"	4
16	1709-056	PLATE, Clamp Cover	4
17	1116	BOLT, 5/16" - 18 NC x 2-1/2"	4
18	1144-900	BOLT, 7/16" - 14 NC x 2"	2
19	2324-356	TIE, Cable	6







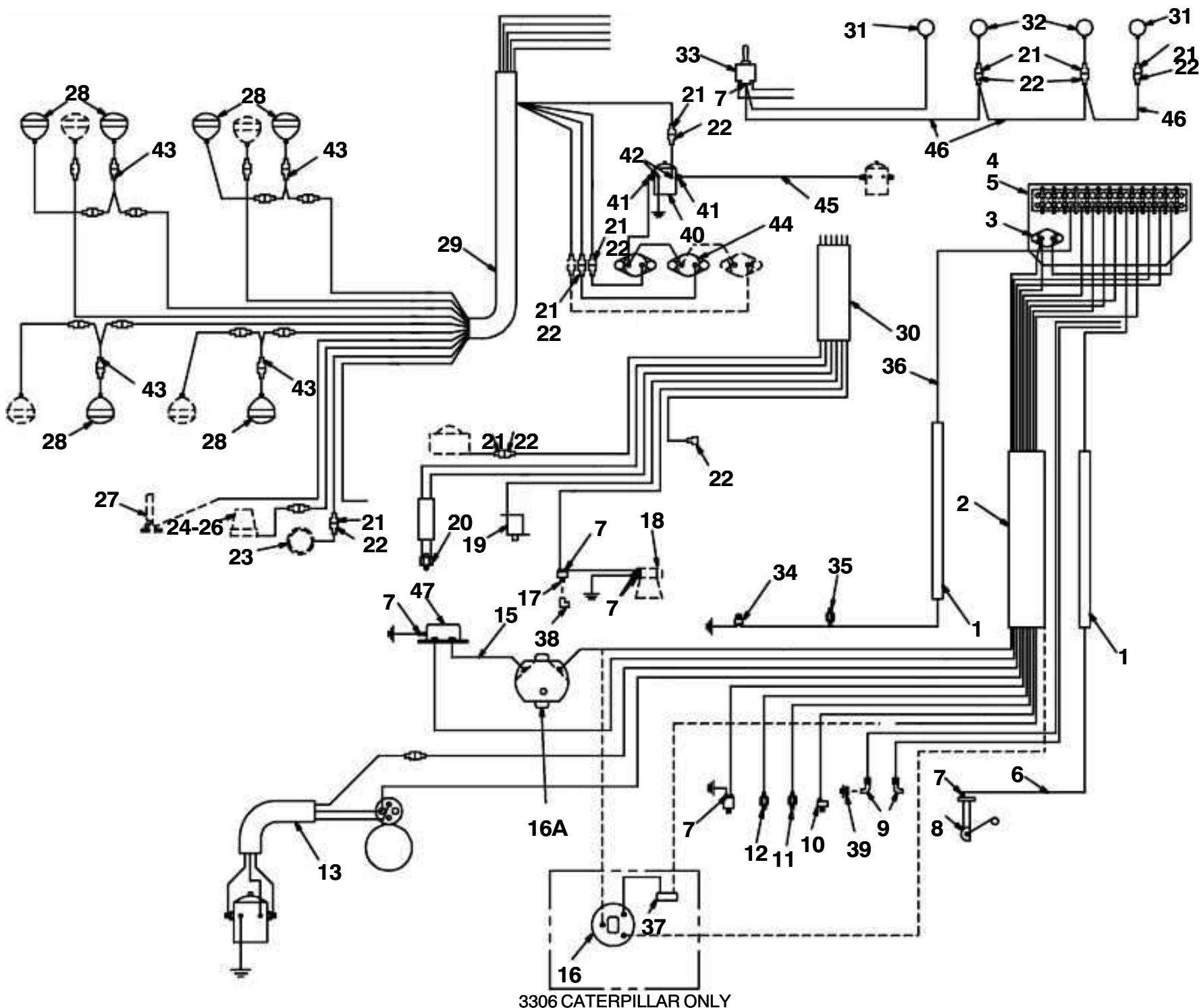




Power Unit  
**06B-2002**  
 Engine Electrical Circuit

# Taylor

MODEL OR SERIES	COMPONENT OR ASSEMBLY NUMBER
TEC-920L & TEC-950L	



06B-2003  
 TD 06 0002

ITEM	PART NUMBER	DESCRIPTION	QTY.
1	1730-001	CONDUIT, Flex-Guard, 3/16"	1
2	I-1-23-3036	ENGINE HARNESS ASSEMBLY (For LT-10 Cummins)	1
2A	I-1-23-3056	ENGINE HARNESS ASSEMBLY (For 3306 Caterpillar)	1
3	2311-211	BREAKER, 90 Amp.	1
4	2324-310	BLOCK, Terminal	1
5	I-1-23-6037	MOUNT, Circuit Breaker	1
6	2307-126	WIRE, 14 Ga. Light Blue	1
7	2324-340	TERMINAL	10
8	2733-153	SENDER, Fuel	1
9	2243-827	FITTING, 1/8" x 1/16", 90°	2

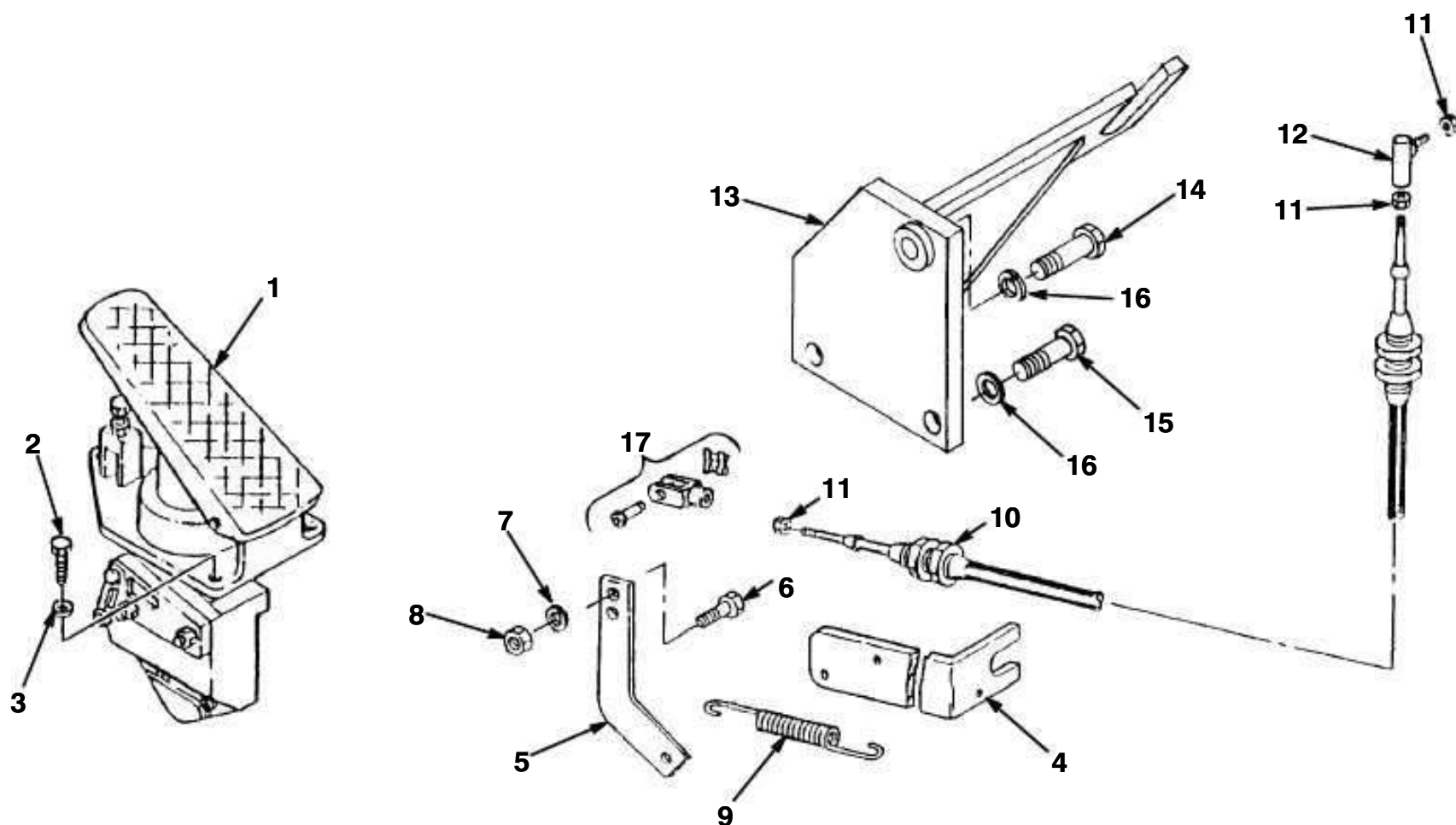




Power Unit  
**07-056**  
 Engine Controls

# Taylor

MODEL OR SERIES	COMPONENT OR ASSEMBLY NUMBER
TE-800S; TE-800L; TE-900S & TE-925S; TEC-920L thru TEFC-950L	



07-2113

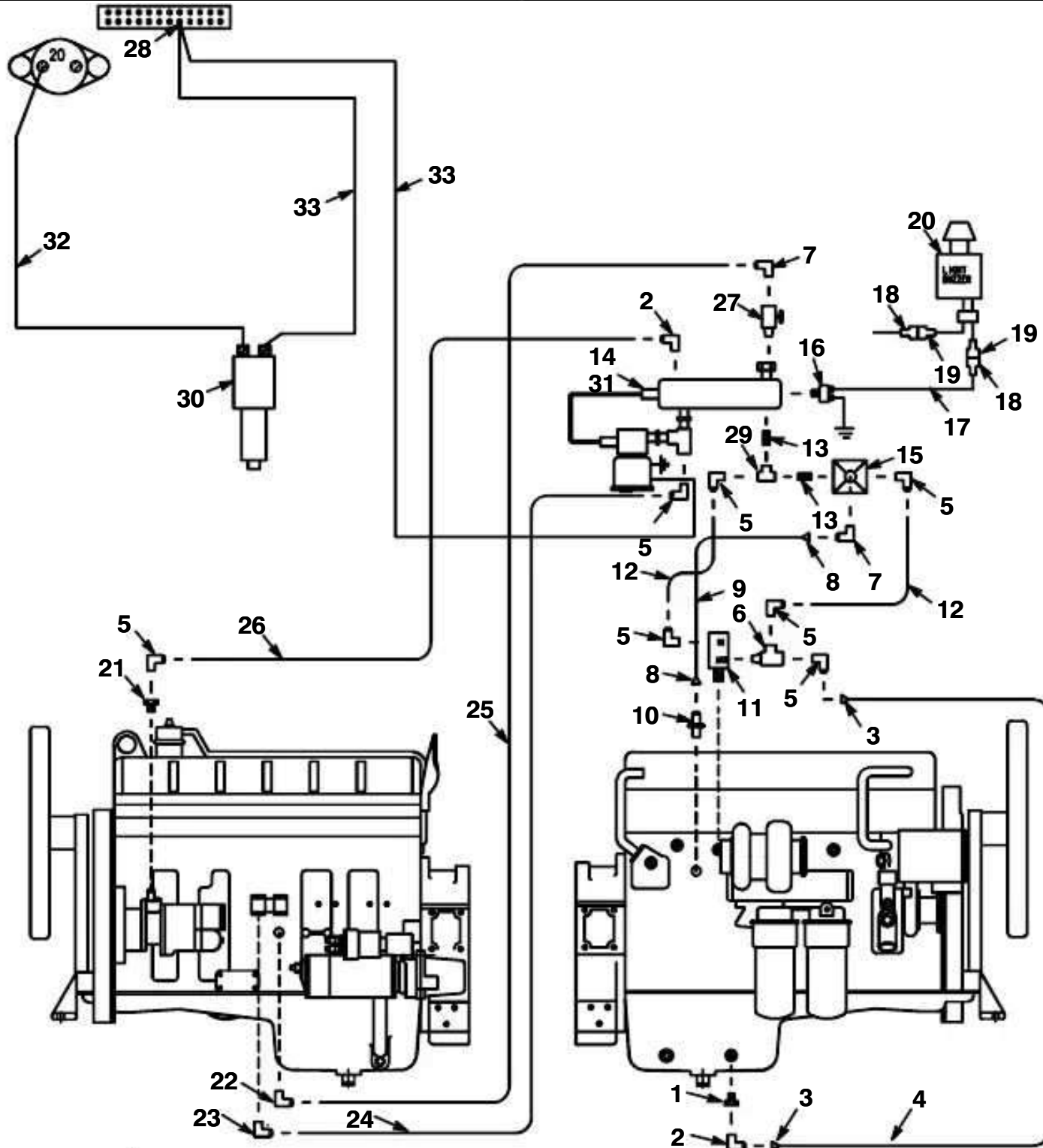
ITEM	PART NUMBER	DESCRIPTION	QTY.
1	2705-124*	PEDAL, Accelerator	1
2	1111	BOLT, 1/4" - 20 NC x 1"	3
3	1378	WASHER, Lock, 1/4"	3
4	I-0-42-6296	BRACKET, Accelerator Pedal	1
5	I-0-25-2510	ARM, Spring	1
6	1231-400	SCREW, #8 - 32 NC x 5/8"	2
7	1377-099	LOCKWASHER, #8	2
8	1278-905	NUT, #8 NC	2
9	2466-010	SPRING	1
10	2704-100	CABLE, 1/4" x 100" Lg.	1
11	1279	NUT, 1/4" NF	3
12	2363-100	END, Rod	1
13	I-1-23-3007	ANCHOR, Accelerator Cable	1
14	1270-513	BOLT, M10 - 1.5 x 30	1
15	1270-700	BOLT, M10 - 1.5 x 20	2
16	1400	LOCKWASHER	3
17	4028-075	CLEVIS ASSEMBLY (Includes Pin and Clip)	1
*	4028-575	BEARING KIT	



Power Unit  
**07-2147**  
 Engine Protection System

# Taylor

MODEL OR SERIES	COMPONENT OR ASSEMBLY NUMBER
LT-10 Cummins	



ITEM	PART NUMBER	DESCRIPTION	QTY.
	I-1-98-0485	KIT, Engine Protection System	
1	1567	BUSHING, 1/2" x 3/8"	1
2	2243-748	FITTING, 3/8" x 5/8", 90°	2
3	2947-210	FITTING, Female, 3/8" x 5/8", St.	2
4	2836-050	HOSE, Air, 3/8"	AR
5	2243-745	FITTING, 1/4" x 5/8", 90°	7
6	1749-246	TEE, Street, 1/4"	1
7	2243-730	FITTING, 1/8" x 7/16", 90°	2
8	2947-250	FITTING, Female, 1/4" x 7/16", St.	2
9	2836	HOSE, Air, 1/4"	AR
10	2243-680	FITTING, 1/8" x 7/16", St.	1
11	2317-170	UNIT, Heat	1
12	I-1-32-1147	HOSE ASSEMBLY, 3/8" x 17-1/2" Lg.	2





## Power Transfer



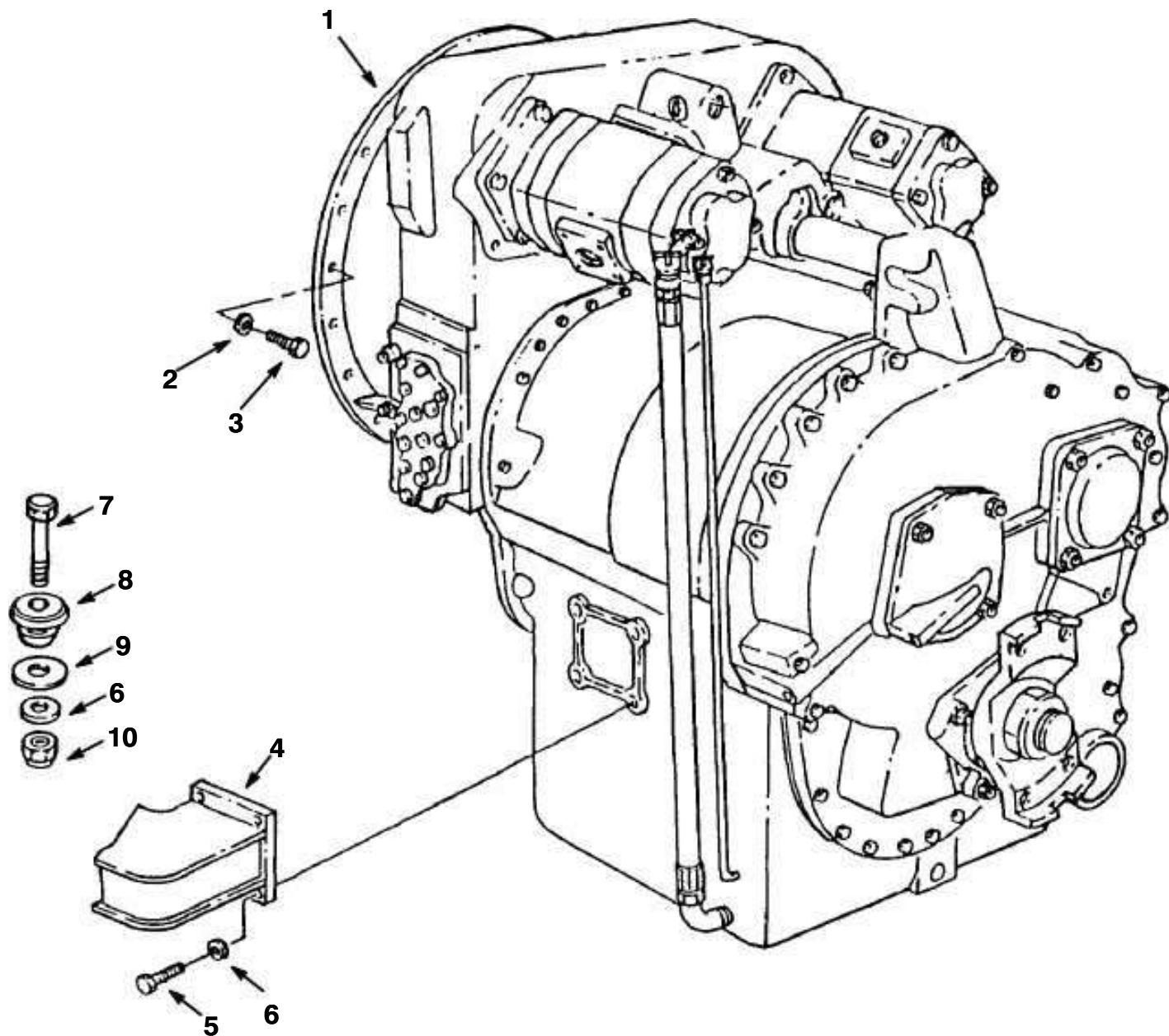
<u>Functional Group</u>	<u>Section</u>
Clutch .....	08
Transmission .....	09
Transfer Case .....	10
Drive Shaft .....	11
Parking Brake .....	12



Power Transfer  
**09-082-1**  
 Transmission Installation

# Taylor

MODEL OR SERIES	COMPONENT OR ASSEMBLY NUMBER		
See P. S. O.	TC-34	16.4HR34355-6	2547-637

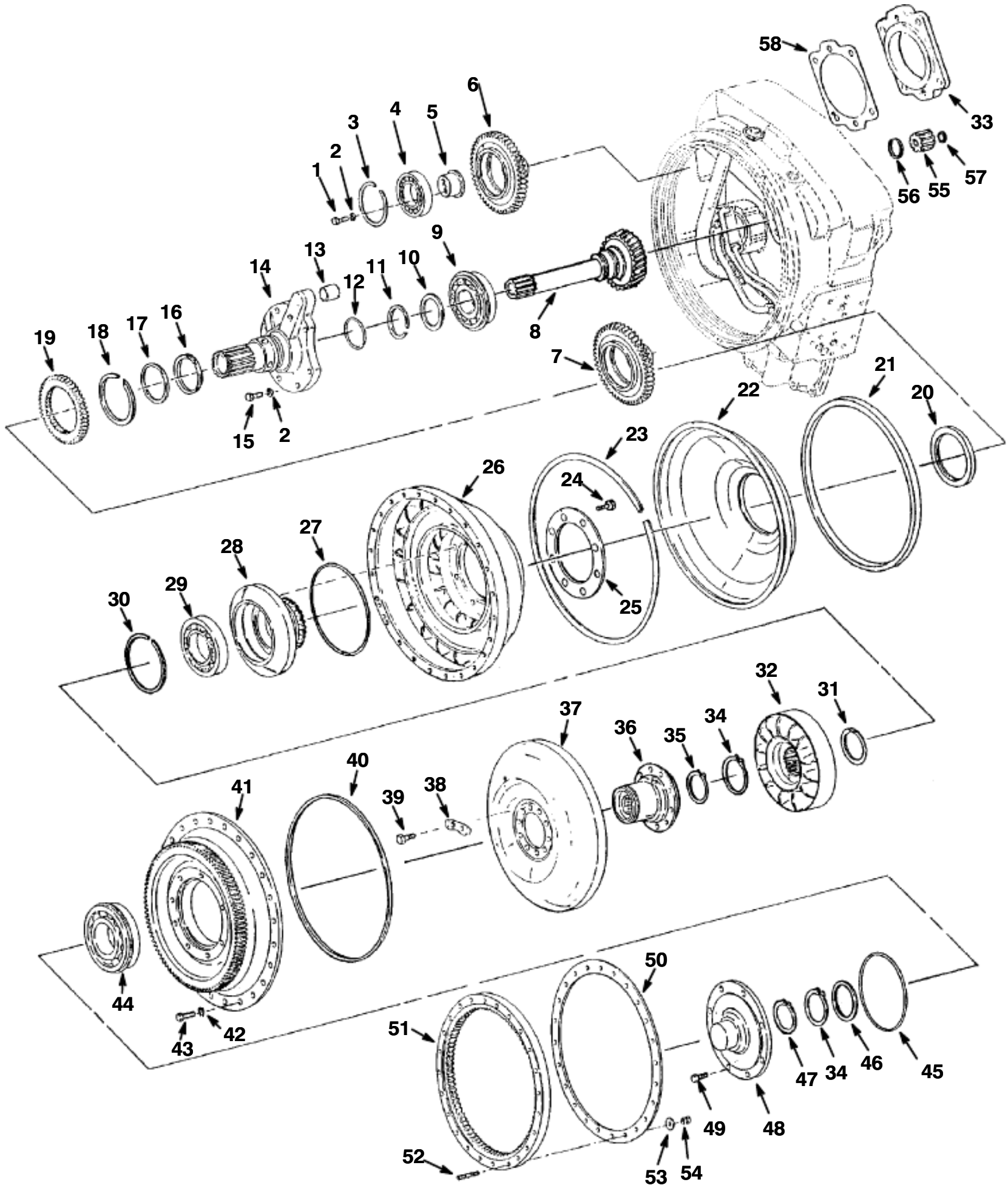


ITEM	PART NUMBER	DESCRIPTION	QTY.
1	2547-637	TRANSMISSION	1
2	1390	LOCKWASHER, 7/16"	12
3	1139-001	BOLT, 7/16" - 14 NC x 1-3/4"	12
4	I-1-23-2960	MOUNT, Transmission, R.H. (For Cummins on TE-800S thru TEC-950L)	1
4A	I-1-23-2961	MOUNT, Transmission, L.H. (For Cummins TE-800S thru TEC-950L)	1
4B	I-1-23-2966	MOUNT, Transmission, R.H. (For Caterpillar on TEC-920L & TEC-950L)	1
4C	I-1-23-2967	MOUNT, Transmission, L.H. (For Caterpillar on TEC-920L & TEC-950L)	1
4D	I-1-23-4042	MOUNT, Transmission, R.H. (For TE-550L & TE-650L)	1
4E	I-1-23-4041	MOUNT, Transmission, L.H. (For TE-550L & TE-650L)	1
5	1183-001	BOLT, 3/4" - 10 NC x 1-3/4" Gr.8	8
6	1432-500	WASHER, Hard, 3/4"	10
7	1187-100	BOLT, 3/4" - 10 NC x 6-1/2" Gr.8	2
8	3255-137	MOUNT, Rubber (For TE-800S thru TEC-950L)	2
8A	3255-141	MOUNT, Rubber, (For TE-550L & TE-650L)	2
9	I-0-23-5464	WASHER, Snubbing	2
10	1369	NUT, Lock, 3/4" NC	2
	4518-390	CONVERTER SEAL KIT	
	4420-833	TRANSMISSION SEAL KIT	

Power Transfer  
**09-082-2**  
 Converter Group

# Taylor

MODEL OR SERIES	COMPONENT OR ASSEMBLY NUMBER		
See P. S. O.	TC-34	16.4HR34355-6	2547-637





Power Transfer  
**09-082-2A**  
 Converter Group

# Taylor

MODEL OR SERIES		COMPONENT OR ASSEMBLY NUMBER			
See P. S. O.		TC-34	16.4HR34355-6	2547-637	
ITEM	PART NUMBER	DESCRIPTION			QTY.
1	4519-620	BOLT, Bearing Support			6
2	4519-530	LOCKWASHER			13
3	4518-526	RING, Snap			3
4	4518-296	BEARING, Pump Drive Gear			3
5	4519-662	SUPPORT, Pump Drive Bearing			3
6	4520-893	GEAR, Pump Drive			3
7	4519-657	GEAR, Auxiliary Pump Drive			2
8	4519-715	SHAFT, Turbine			1
9	4520-848	BEARING, Turbine Shaft			1
10	4520-835	WASHER, Turbine Shaft Bearing			1
11	4518-525	RING, Snap			1
12	4519-659	RING, Piston			1
13	4519-655	TUBE, Converter Inlet			1
14	4520-895	STATOR SUPPORT AND SLEEVE ASSEMBLY			1
15	3809-520	BOLT, Stator Support			7
16	4420-741	RING, Piston			1
17	4420-742	SPRING, Piston Ring Expander			1
18	4519-044	RING, Snap			1
19	4520-894	GEAR, Impeller Hub			1
20	4519-251	SEAL, Oil Baffle Oil			1
21	4420-682	RING, Seal			1
22	4420-685	BAFFLE, OIL			1
23	4520-828	RING, Retaining			1
24	4518-379	BOLT, Hub to Impeller			8
25	4518-381	LOCKPLATE			1
26	4519-634	IMPELLER			1
27	4420-590	O-RING, Impeller Hub			1
28	4519-627	HUB, Impeller			1
29	4520-827	BEARING, Impeller Hub			1
30	4520-824	RING, Snap			1
31	4519-648	SPACER, Reaction Member			1
32	4519-700	MEMBER, Reaction			1
33	4519-768	ADAPTER, Pump			1
34	4518-525	RING, Snap			2
35	4520-857	RING, Snap			1
36	4519-639	HUB, Turbine			1
37	4519-640	TURBINE			1
38	4520-844	TAB, Lock			5
39	4520-803	BOLT, Turbine Hub			10
40	4420-644	O-RING, Impeller to Cover			1
41	4520-566	COVER, Impeller			1
42	4519-529	LOCKWASHER			32
43	4420-557	BOLT, Impeller Cover			32
44	4420-661	BEARING, Turbine Hub			1
45	4520-817	O-RING, Cover to Hub			1
46	4520-835	SPACER, Bearing			1
47	4420-798	RING, Snap			1
48	4520-847	HUB, Impeller Cover			1
49	4518-886	BOLT, Impeller Cover to Hub			8
50	4420-691	PLATE, Ring Gear Backing			1
51	4420-795	DRIVE RING GEAR KIT			1

Power Transfer  
**09-082-2B**  
Converter Group

# Taylor

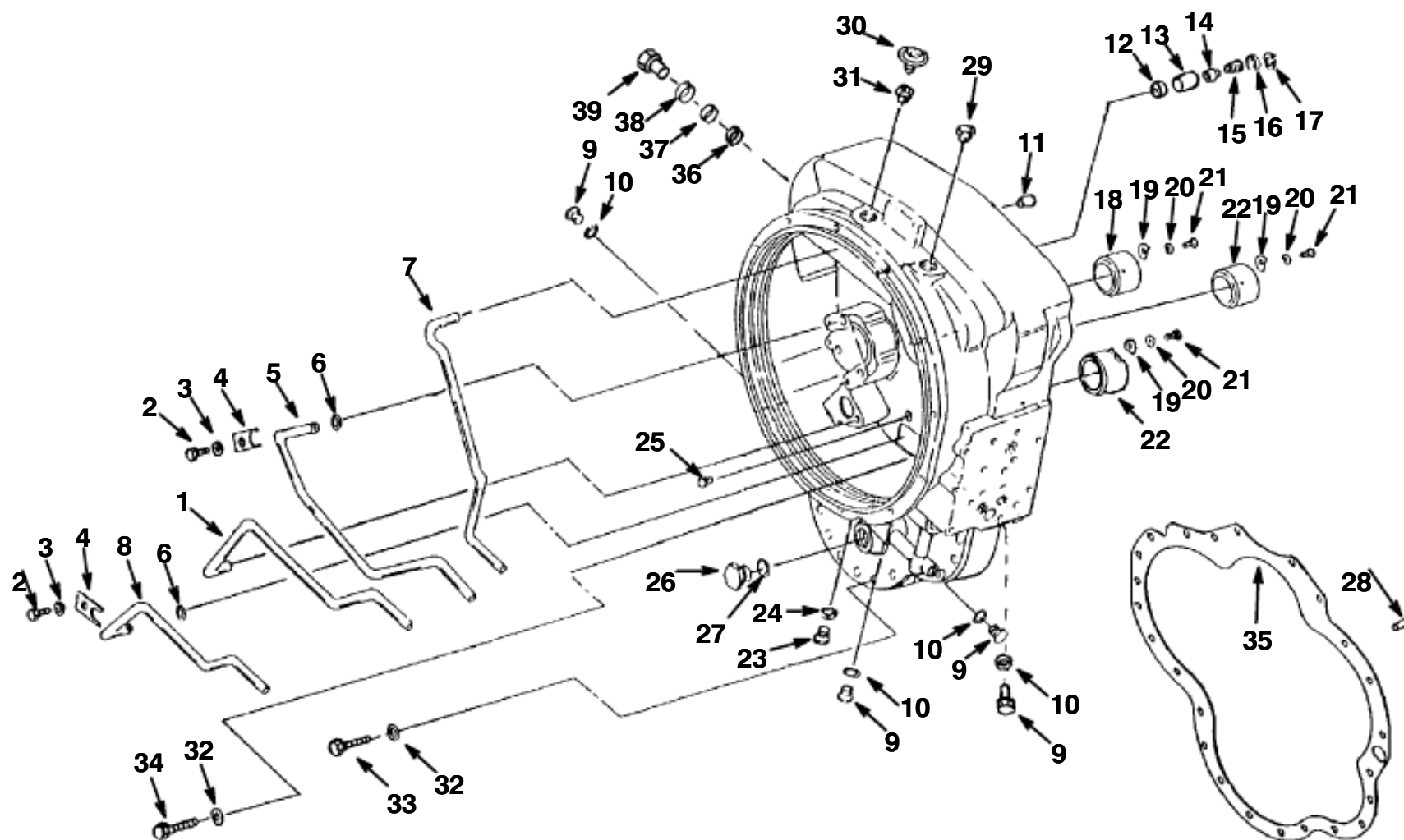
MODEL OR SERIES		COMPONENT OR ASSEMBLY NUMBER		
See P. S. O.		TC-34	16.4HR34355-6	2547-637

ITEM	PART NUMBER	DESCRIPTION	QTY.
52	4420-730	STUD	24
53	4420-669	WASHER	72
54	4420-671	NUT	24
55	4518-367	PUMP DRIVE SLEEVE ASSEMBLY	1
56	4519-046	RING, Snap, Outer	1
57	4518-265	RING, Snap, Inner	1
58	4520-492	GASKET, Pump Adapter	1
NI	2591	COVER, Perm Pump Hole	1
NI	4518-781	GASKET, Perm Pump Hole	1
NI	4517-123	BOLT	4
NI	4519-530	LOCKWASHER	4

Power Transfer  
**09-082-3**  
 Converter Housing

# Taylor

MODEL OR SERIES	COMPONENT OR ASSEMBLY NUMBER		
See P. S. O.	TC-34	16.4HR34355-6	2547-637



ITEM	PART NUMBER	DESCRIPTION	QTY.
	4517-127	CONVERTER HOUSING AND TUBE ASSEMBLY	
1	4517-124	TUBE, Modulator Bypass	1
2	4519-422	SCREW, Tube Clip	2
3	4420-567	LOCKWASHER, Tube Clip	2
4	4519-663	CLIP, Tube	2
5	4520-888	TUBE, Forward Pressure	1
6	4520-812	O-RING, Forward Tube	2
7	4520-889	TUBE, Valve Oil Supply	1
8	4518-517	TUBE, 3rd Speed Pressure	1
9	4517-054	PLUG, Port	5
10	4518-521	O-RING, Port Plug	5
11	4519-032	SLEEVE, Tube	1
12	4519-147	SEAT, Safety Valve	1
13	4518-519	RETAINER, Valve Seat	1
14	4519-036	PLUNGER, Pressure Relief Valve	1
15	4518-520	SPRING, Pressure Relief	1
16	4518-090	WASHER	1
17	4518-126	RING, Retaining	1
18	4520-836	SLEEVE, Converter Housing	1
19	4519-072	LOCK, Converter Housing Sleeve	3
20	4420-567	LOCKWASHER, Sleeve Lock Screw	3
21	4519-422	SCREW, Sleeve Lock	3
22	3809-557	SLEEVE, Converter Housing	2
23	4420-823	PLUG	1
24	4520-707	O-RING, Port Plug	1

Power Transfer  
**09-082-3A**  
Converter Housing

# Taylor

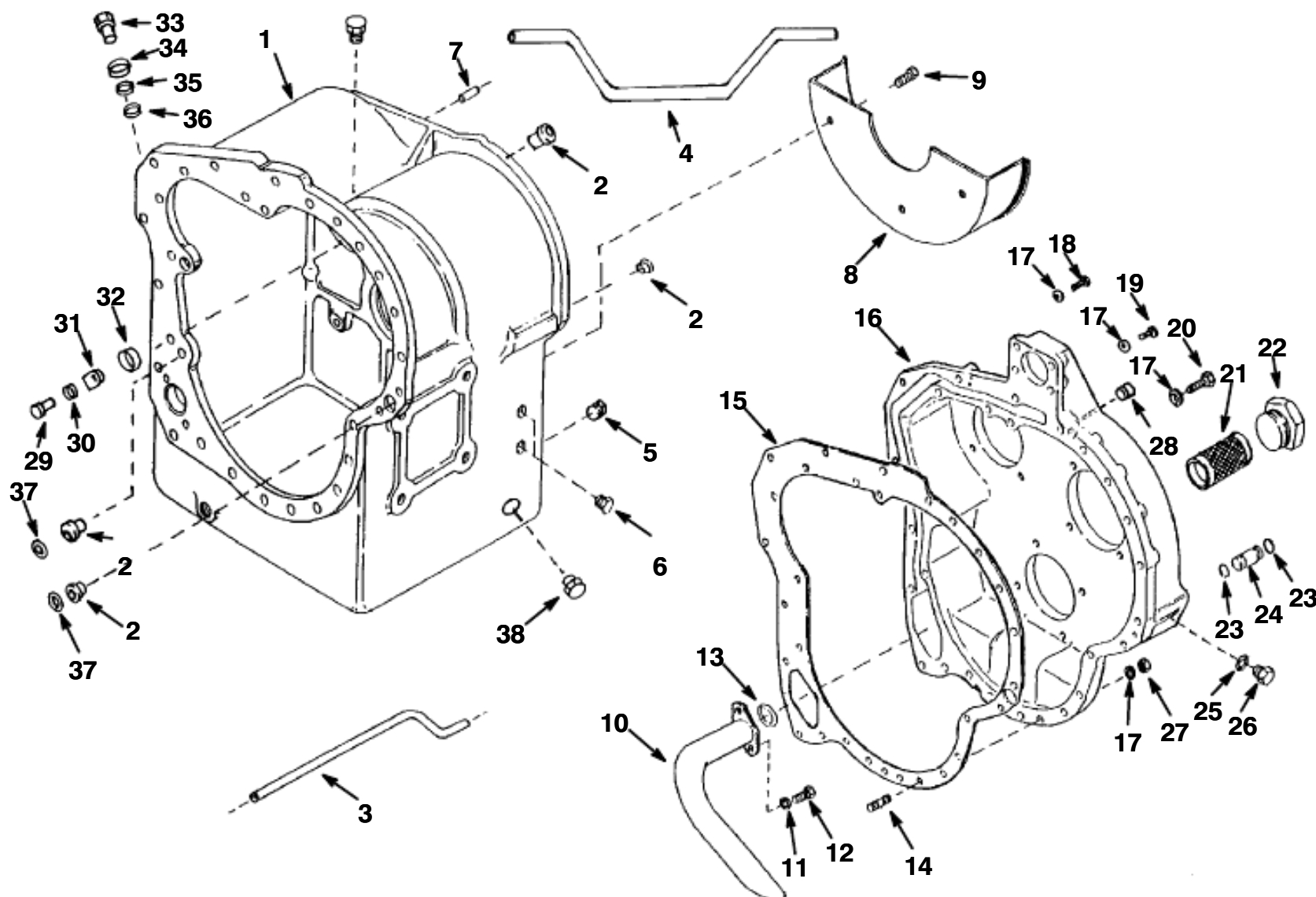
MODEL OR SERIES	COMPONENT OR ASSEMBLY NUMBER		
See P. S. O.	TC-34	16.4HR34355-6	2547-637

ITEM	PART NUMBER	DESCRIPTION	QTY.
25	4519-933	PLUG, Pipe	1
26	4518-511	CAP	1
27	3939-170	GASKET, Cap	1
28	4519-014	PIN, Converter Housing to Transmission Housing Dowel	2
29	3809-564	PLUG, Fill	1
30	3939-075	BREATHER	1
31	4519-427	BUSHING, Reducing	1
32	4519-529	LOCKWASHER, Converter Housing to Transmission Housing	23
33	3809-517	BOLT, Converter Housing to Transmission Housing	14
34	4518-303	BOLT, Converter Housing to Transmission Housing	9
35	4520-892	GASKET, Converter Housing to Transmission Housing	1
36	4517-126	SHIM, Speed Sensor Adjusting Bushing	AR
37	4517-125	BUSHING, Speed Sensor Adjusting	1
38	4518-297	O-RING, Speed Sensor Bushing	1
39	4519-619	PLUG, Speed Sensor Bushing	1

Power Transfer  
**09-082-4**  
 Transmission Case And Rear Cover

# Taylor

MODEL OR SERIES	COMPONENT OR ASSEMBLY NUMBER		
See P. S. O.	TC-34	16.4HR34355-6	2547-637



ITEM	PART NUMBER	DESCRIPTION	QTY.
1	4517-186	TRANSMISSION CASE ASSEMBLY	1
2	4519-032	SLEEVE, Tube	1
3	4520-904	TUBE, 1st Speed Clutch Pressure	1
4	4518-933	TUBE, Low Shaft Rear Bearing Lube	1
5	4520-403	PLUG, Drain	1
6	4519-429	PLUG, Oil Level	1
7	4519-014	PIN, Transmission Case to Rear Cover Dowel	2
8	4518-524	BAFFLE, Oil	1
9	4420-552	BOLT, Oil Baffle	3
10	4518-523	TUBE ASSEMBLY, Suction	1
11	4519-288	LOCKWASHER, Suction Tube	5
12	4520-800	BOLT, Suction Tube	2
13	4520-814	O-RING, Suction Tube	1
14	4520-554	STUD, Rear Cover to Case	4
15	4518-935	GASKET, Cover to Case	1
16	4518-936	COVER, Rear	1
17	4519-924	LOCKWASHER, Cover to Case	28
18	4518-303	BOLT, Cover to Case	3
19	4517-046	BOLT, Cover to Case	5
20	4520-807	BOLT, Cover to Case	16
21	4520-982	SCREEN ASSEMBLY	1
22	4519-624	PLUG, Screen Assembly	1

Power Transfer  
**09-082-4A**  
 Transmission Case And Rear Cover

# Taylor

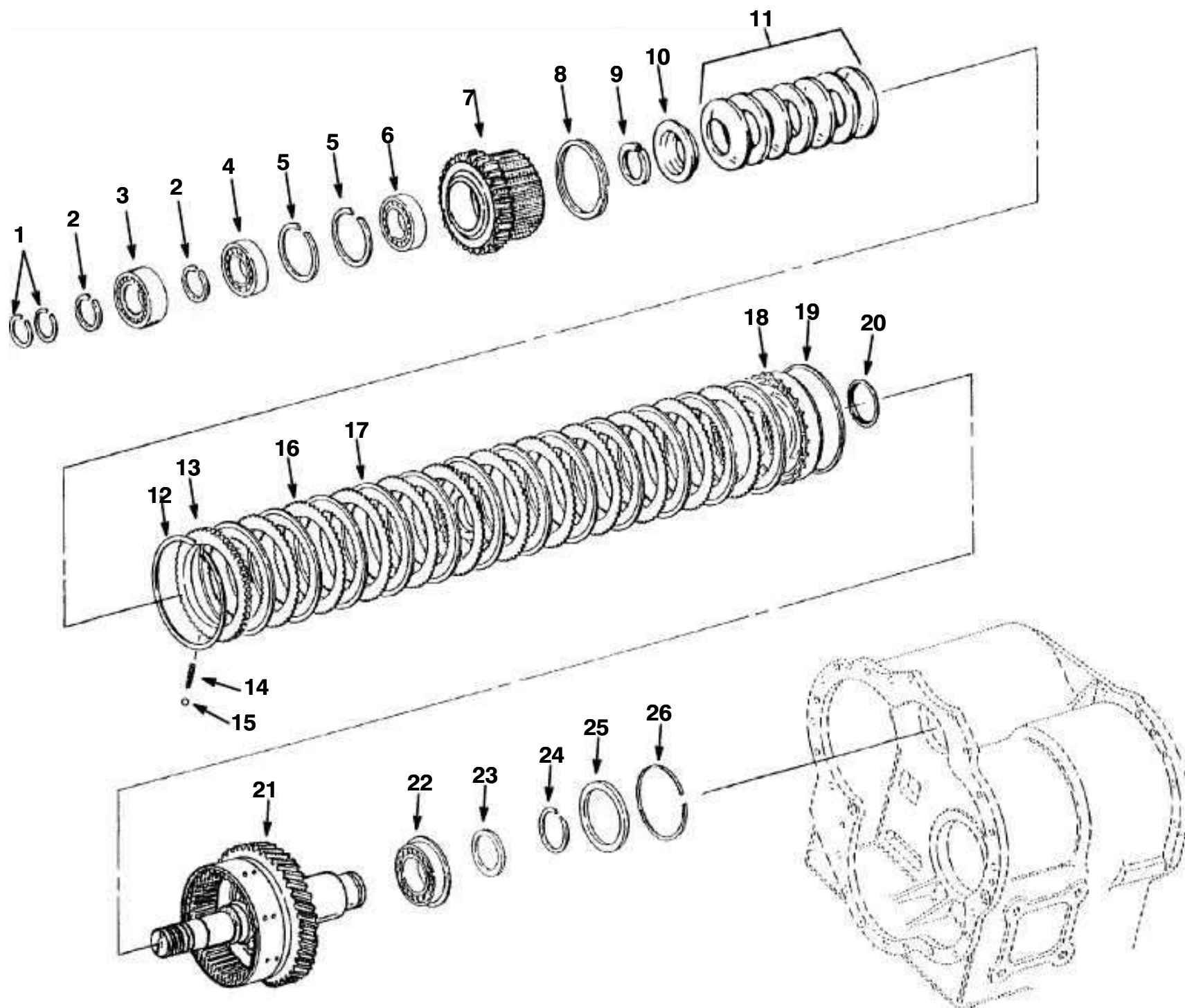
MODEL OR SERIES	COMPONENT OR ASSEMBLY NUMBER		
See P. S. O.	TC-34	16.4HR34355-6	2547-637

ITEM	PART NUMBER	DESCRIPTION	QTY.
23	4520-811	O-RING, 1st Speed Sleeve	4
24	4520-868	SLEEVE, 1st Speed Clutch Pressure	2
25	4517-052	O-RING, Plug	2
26	4520-808	PLUG, Rear Cover Pipe	3
27	4518-304	NUT, Stud	4
28	4519-933	PLUG, Pipe	1
29	4519-422	BOLT	1
30	4420-567	LOCKWASHER	1
31	4519-072	RETAINER, Outer Race	1
32	4519-632	RACE, Outer	1
33	4519-619	PLUG, Speed Sensor Bushing	1
34	4518-297	O-RING	1
35	4517-125	BUSHING, Adjuster	1
36	4517-126	SHIM	AR
37	4519-174	O-RING, Tube Sleeve	2
38	4520-004	PLUG, Drain	1

Power Transfer  
**09-082-5**  
 Forward Clutch Shaft

# Taylor

MODEL OR SERIES	COMPONENT OR ASSEMBLY NUMBER		
See P. S. O.	TC-34	16.4HR34355-6	2547-637



ITEM	PART NUMBER	DESCRIPTION	QTY.
1	4518-657	RING, Piston	2
1A	4518-658	RING, Piston	2
2	4420-798	RING, Front Bearing Retaining	2
3	4519-688	BEARING, Forward Shaft Front	1
4	4520-443	BEARING, Clutch Driven Gear	1
5	4520-413	RING, Clutch Driven Gear Locating	2
6	4520-858	BEARING, Clutch Driven Gear	1
7	4517-119	GEAR, Forward Clutch Driven	1
8	4519-160	RING, Oil Baffle	1
9	4519-937	RING, Spring Retainer Snap	1
10	4519-936	RETAINER, Spring	1
11	4519-260	WASHER, Belleville	1

Power Transfer  
**09-082-5A**  
 Forward Clutch Shaft

# Taylor

MODEL OR SERIES	COMPONENT OR ASSEMBLY NUMBER
See P. S. O.	TC-34                      16.4HR34355-6                      2547-637

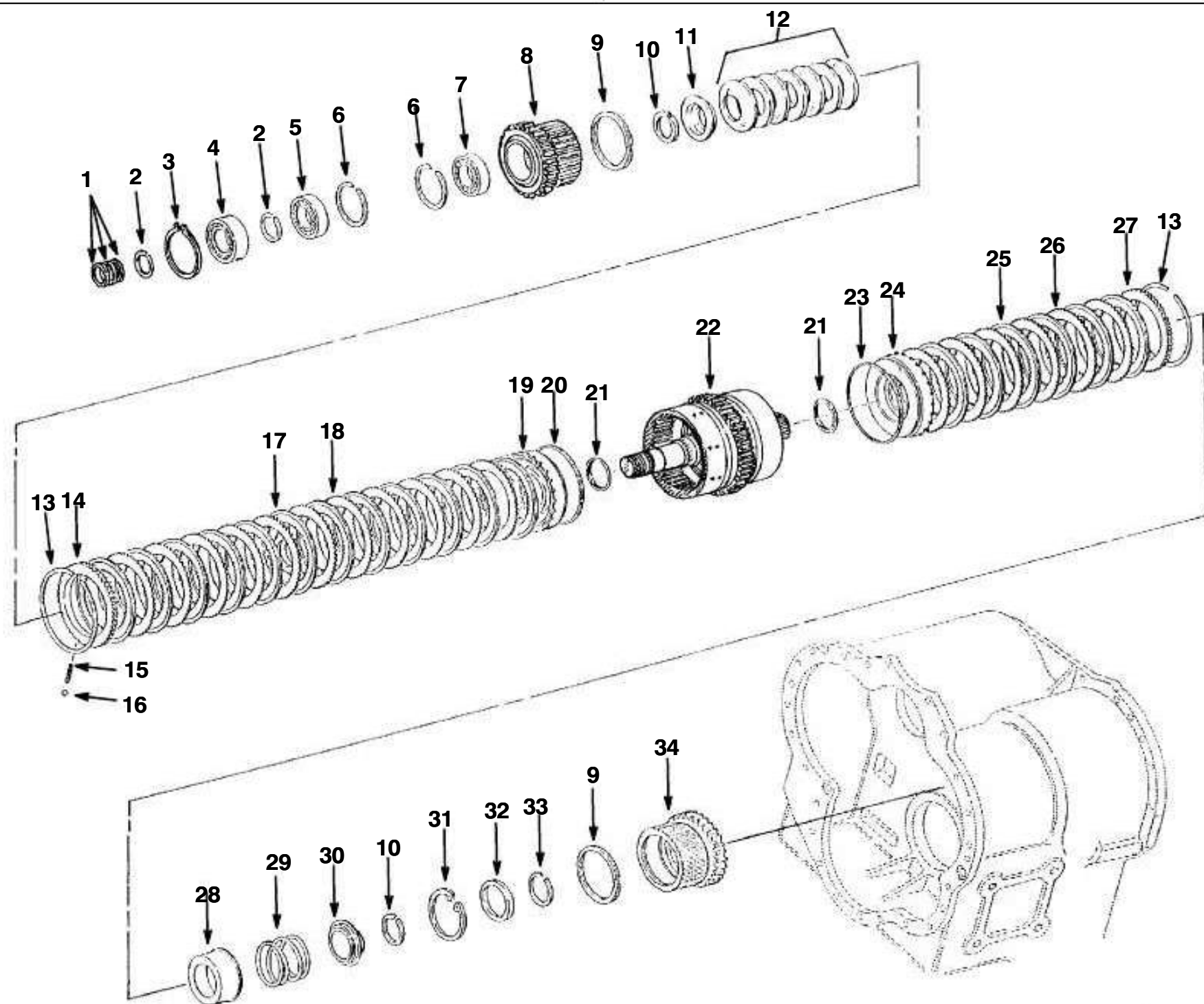
ITEM	PART NUMBER	DESCRIPTION	QTY.
12	4520-882	RING, Backing Plate Snap	1
13	4519-706	PLATE, Clutch Disc Backing	1
14	4519-631	SPRING, End Plate Retaining	1
15	4519-622	BALL, End Plate Retaining	1
16	4518-395	DISC, Clutch, Outer	11
17	4519-704	DISC, Clutch, Inner	12
18	4518-292	PISTON, Clutch	1
19	4518-293	SEAL, Clutch Piston, Outer	1
20	4519-075	SEAL, Clutch Piston, Inner	1
21	4517-181	FORWARD SHAFT, CLUTCH DRUM & PLUG ASSEMBLY	1
22	4519-645	BEARING, Forward Shaft Rear	1
23	4519-633	WASHER, Bearing	1
24	4519-644	RING, Bearing Retainer	1
25	4520-949	WASHER, Thrust	1
26	4520-830	RING, Thrust Washer Retainer	1



Power Transfer  
**09-082-6**  
 Reverse and Second Shaft Clutch

# Taylor

MODEL OR SERIES	COMPONENT OR ASSEMBLY NUMBER		
See P. S. O.	TC-34	16.4HR34355-6	2547-637



ITEM	PART NUMBER	DESCRIPTION	QTY.
1	4518-657	RING, Shaft Piston	3
1A	4518-658	RING, Shaft Piston	3
2	4420-798	RING, Retainer	2
3	4519-079	RING, Snap	1
4	4519-643	BEARING, Front	1
5	4520-443	BEARING, Clutch Driven Gear	1
6	4520-413	RING, Clutch Driven Gear Locating	2
7	4520-858	BEARING, Clutch Driven Gear Locating	1
8	4517-121	GEAR, Clutch Driven	1
9	4519-160	RING, Oil Baffle	2
10	4519-937	RING, Spring Retainer Snap	2
11	4519-936	RETAINER, Spring	1
12	4519-260	WASHER, Belleville	1

Power Transfer  
**09-082-6A**  
 Reverse and Second Shaft Clutch

# Taylor

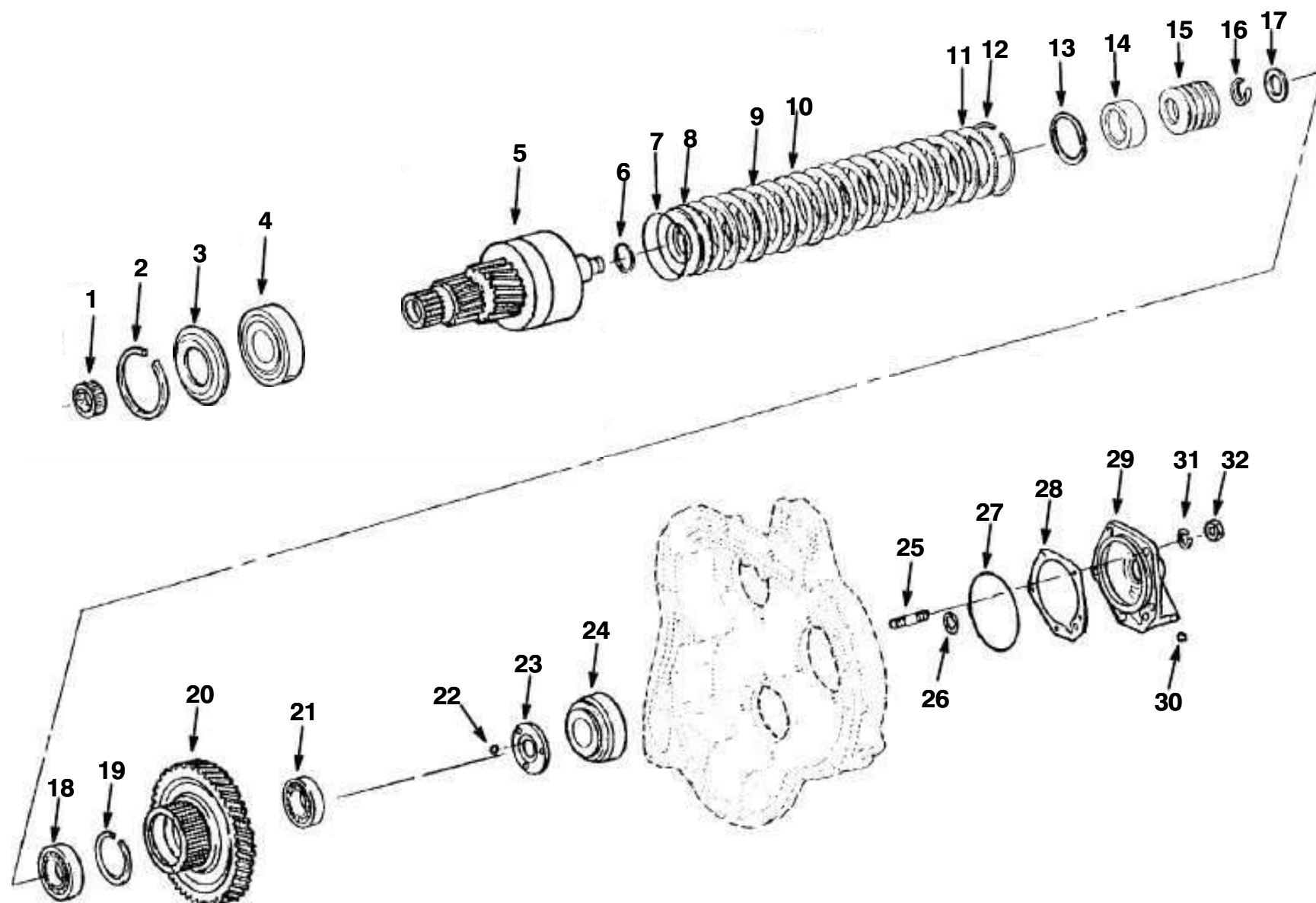
MODEL OR SERIES	COMPONENT OR ASSEMBLY NUMBER		
See P. S. O.	TC-34	16.4HR34355-6	2547-637

ITEM	PART NUMBER	DESCRIPTION	QTY.
13	4520-882	RING, Backing Plate Retainer	2
14	4519-706	PLATE, Clutch Disc Backing	1
15	4519-631	SPRING, End Plate Retaining	1
16	4519-622	BALL, End Plate Retaining	1
17	4519-704	DISC, Reverse Clutch, Inner	12
18	4518-395	DISC, Reverse Clutch, Outer	11
19	4518-292	PISTON, Clutch	1
20	4518-293	SEAL, Clutch Piston, Outer	1
21	4519-075	SEAL, Clutch Piston, Inner	2
22	4517-120	REVERSE AND SECOND SHAFT, CLUTCH DRUM & PLUG ASSEMBLY	1
23	4518-391	SEAL, Clutch Piston, Outer	1
24	4518-392	PISTON, Second Clutch	1
25	4519-704	DISC, Second Clutch, Inner	6
26	4518-395	DISC, Second Clutch, Outer	6
27	4520-570	PLATE, Second Clutch Backing	1
28	4517-041	RETAINER, Spring	1
29	4519-069	SPRING, Piston Return	1
30	4520-574	RETAINER, Spring	1
31	4420-655	RING, Hub Retainer Snap	1
32	4519-671	RETAINER, Ring	1
33	4520-890	RING, Retaining	1
34	4519-661	HUB, Second Clutch Disc	1

Power Transfer  
**09-082-7**  
 Low Speed Clutch Shaft

# Taylor

MODEL OR SERIES	COMPONENT OR ASSEMBLY NUMBER		
See P. S. O.	TC-34	16.4HR34355-6	2547-637



ITEM	PART NUMBER	DESCRIPTION	QTY.
1	4520-829	BEARING, Pilot	1
2	4420-658	RING, Bearing Retainer	1
3	4520-869	SPACER, Bearing	1
4	4520-798	BEARING, Front	1
5	4520-575	LOW SPEED CLUTCH SHAFT, DRUM & PLUG ASSEMBLY	1
6	4519-075	SEAL, Clutch Piston, Inner	1
7	4518-391	SEAL, Clutch Piston, Outer	1
8	4519-679	PISTON, Clutch	1
9	4519-704	DISC, Clutch, Inner	9
10	4518-395	DISC, Clutch, Outer	9
11	4520-570	PLATE, Backing	1
12	4520-882	RING, Backing Plate Snap	1
13	4519-160	RING, Oil Baffle	1
14	4518-888	SPACER	1
15	4518-889	WASHER, Belleville	5
15A	4518-890	WASHER, Belleville	5
16	4519-134	RING, Spring Retainer	1
17	4518-529	SPACER, Bearing	1

Power Transfer  
**09-082-7A**  
 Low Speed Clutch Shaft

# Taylor

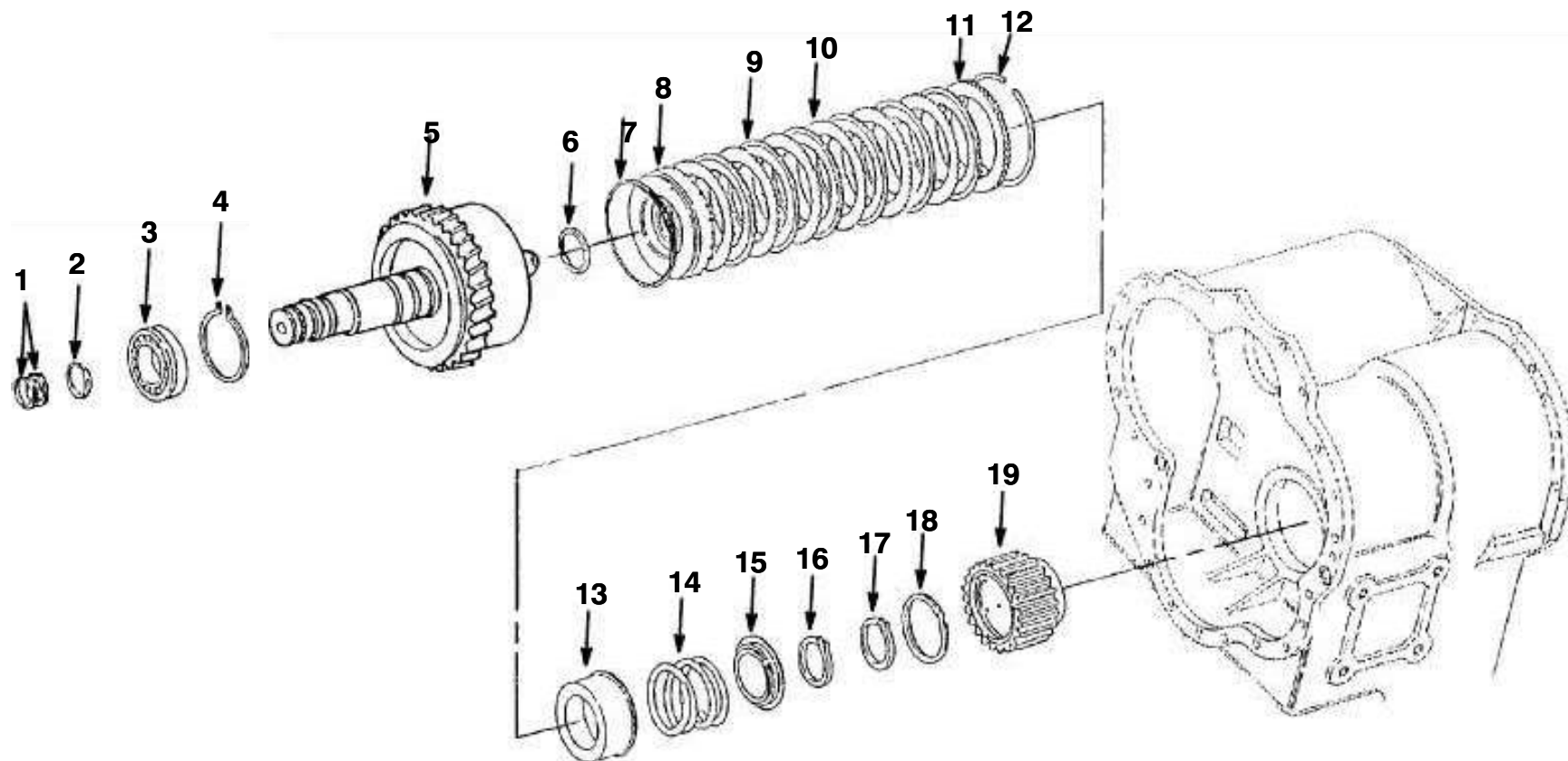
MODEL OR SERIES	COMPONENT OR ASSEMBLY NUMBER
See P. S. O.	TC-34                      16.4HR34355-6                      2547-637

ITEM	PART NUMBER	DESCRIPTION	QTY.
18	4519-685	BEARING, Low Speed Gear	1
19	4519-042	RING, Snap	1
20	4520-569	GEAR, Low Speed	1
21	4519-687	BEARING, Low Speed Gear	1
22	4518-294	BALL, Thrust Washer Lock	1
23	4519-708	WASHER, Thrust	1
24	4520-854	BEARING, Second Speed Shaft Rear	1
25	4518-578	STUD, Rear Bearing Cap	4
26	4520-820	RING, Clutch Shaft Piston	1
27	4518-577	O-RING	1
28	4518-940	SHIM, Bearing Cap, .004	AR
28A	4518-941	SHIM, Bearing Cap, .007	AR
28B	4518-942	SHIM, Bearing Cap, .010	AR
28C	4518-944	SHIM, Bearing Cap, .020	AR
29	4518-943	CAP, Rear Bearing	1
30	4517-054	PLUG, Cap	1
31	4519-924	LOCKWASHER	4
32	3809-545	NUT	4

Power Transfer  
**09-082-8**  
 Third Speed Clutch Shaft

# Taylor

MODEL OR SERIES	COMPONENT OR ASSEMBLY NUMBER		
See P. S. O.	TC-34	16.4HR34355-6	2547-637

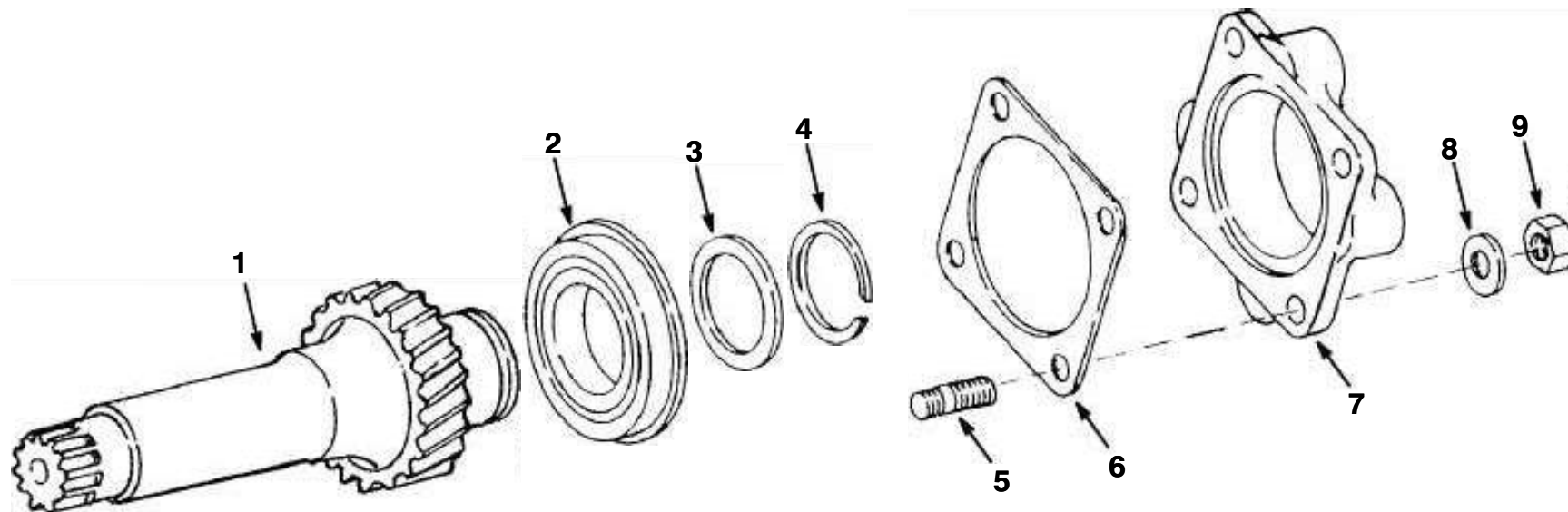


ITEM	PART NUMBER	DESCRIPTION	QTY.
1	4518-657	RING, Shaft Piston	2
1A	4518-658	RING, Shaft Piston	2
2	4420-798	RING, Front Bearing Retainer	1
3	4519-038	BEARING, Front	1
4	4519-079	RING, Locating	1
5	4517-122	THIRD SPEED SHAFT, CLUTCH DRUM & PLUG ASSEMBLY	1
6	4519-075	SEAL, Clutch Piston, Inner	1
7	4519-051	SEAL, Clutch Piston, Outer	1
8	4518-393	PISTON, Clutch	1
9	4520-491	DISC, Clutch, Inner	6
10	4443-293	DISC, Clutch, Outer	6
11	4520-485	PLATE, Backing	1
12	4519-024	RING, Backing Plate Snap	1
13	4517-041	RETAINER, Spring	1
14	4519-069	SPRING, Piston Return	1
15	4520-574	RETAINER, Spring	1
16	4519-937	RING, Snap	1
17	4420-789	RING, Hub Retaining	1
18	4519-160	RING, Oil Baffle	1
19	4518-530	HUB AND SLEEVE ASSEMBLY, Third Clutch Disc	1

Power Transfer  
**09-082-9**  
 Low Speed Drive

# Taylor

MODEL OR SERIES	COMPONENT OR ASSEMBLY NUMBER		
See P. S. O.	TC-34	16.4HR34355-6	2547-637

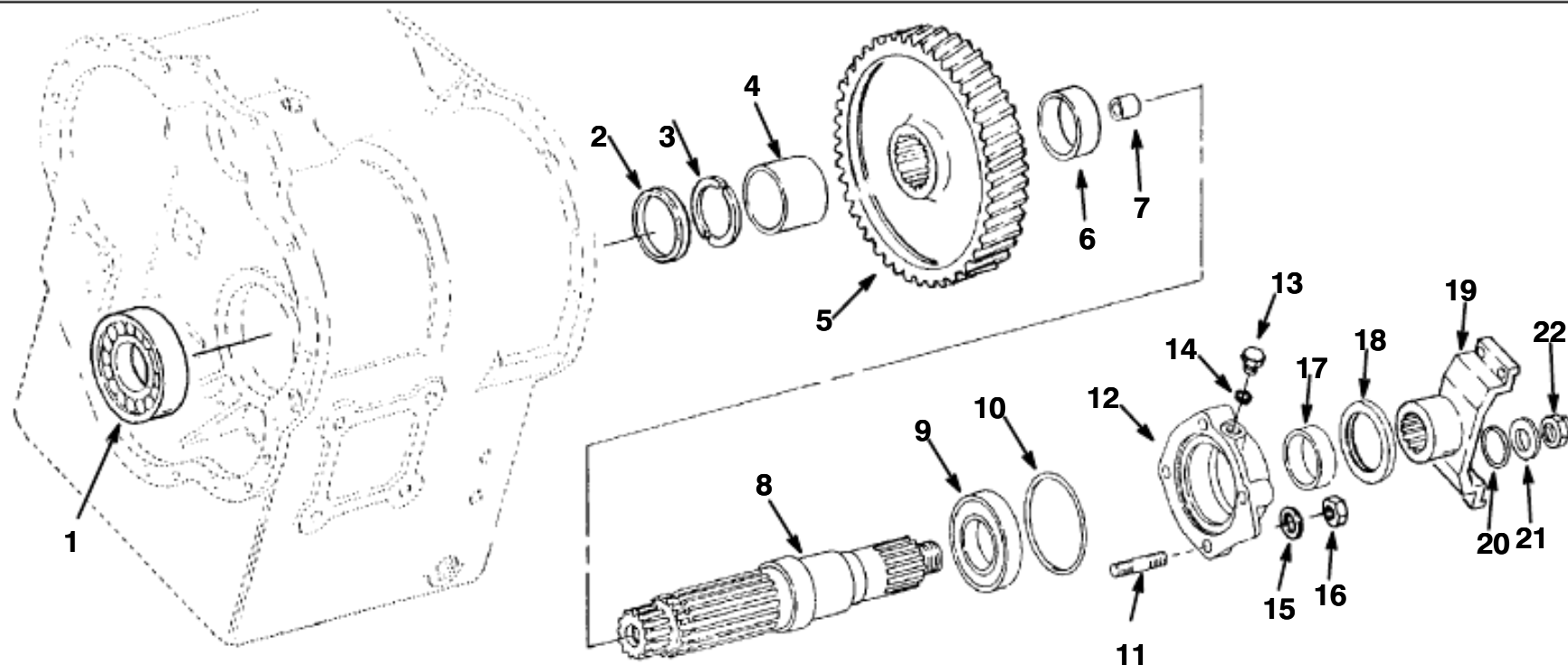


ITEM	PART NUMBER	DESCRIPTION	QTY.
1	4519-694	SHAFT, Low Speed	1
2	4519-645	BEARING, Low Speed Shaft	1
3	4519-633	WASHER, Bearing	1
4	4519-644	RING, Bearing Retaining	1
5	4518-098	STUD, Bearing Cap	4
6	4518-577	GASKET, Bearing Cap	1
7	4518-527	CAP, Bearing	1
8	4517-050	LOCKWASHER	4
9	4518-124	NUT, Stud	4

Power Transfer  
**09-082-10**  
 Output Shaft

# Taylor

MODEL OR SERIES	COMPONENT OR ASSEMBLY NUMBER		
See P. S. O.	TC-34	16.4HR34355-6	2547-637

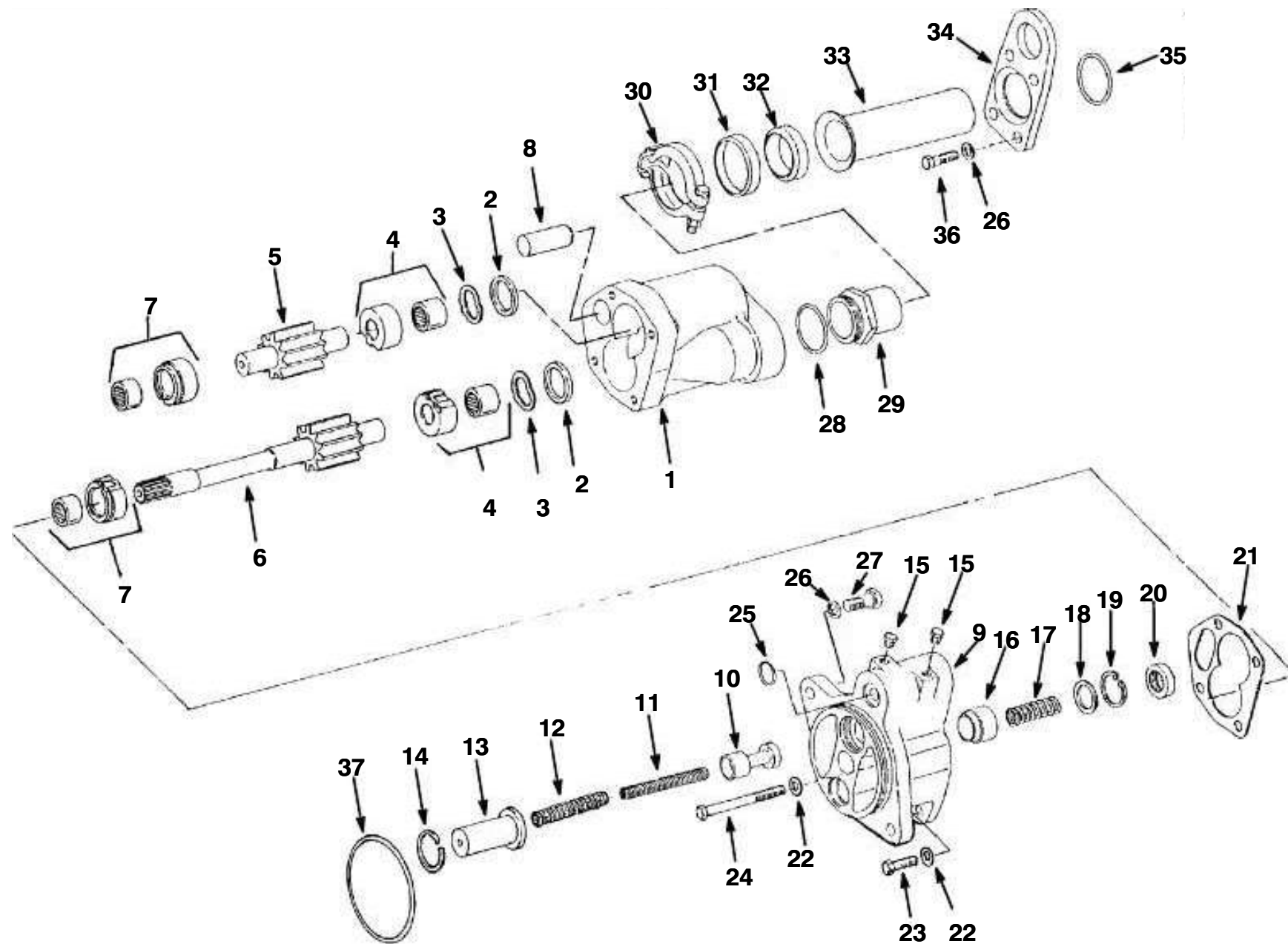


ITEM	PART NUMBER	DESCRIPTION	QTY.
1	4519-681	BEARING, Output Shaft Front	1
2	4519-678	RETAINER, Split Ring	1
3	4519-677	RING, Split	2
4	4519-690	SPACER	1
5	4519-702	GEAR, Output Shaft	1
6	4519-676	SPACER, Gear	1
7	4519-077	BEARING, Pilot	1
8	4519-689	SHAFT, Output	1
9	4420-831	BEARING, Rear	1
10	4520-816	O-RING, Rear Bearing Cap	1
11	4519-684	STUD	4
12	4519-692	CAP, Bearing	1
13	4519-619	PLUG	1
14	4518-297	O-RING	1
15	4517-050	LOCKWASHER	4
16	4518-124	NUT	4
17	4519-696	SPACER, Output Flange	1
18	4518-288	SEAL, Oil	1
19	4518-203	FLANGE	1
20	4519-797	O-RING	1
21	4518-287	WASHER	1
22	4520-406	NUT	1

Power Transfer  
**09-082-11**  
 Pressure Regulating Valve and Charging Pump

# Taylor

MODEL OR SERIES	COMPONENT OR ASSEMBLY NUMBER		
See P. S. O.	TC-34	16.4HR34355-6	2547-637



ITEM	PART NUMBER	DESCRIPTION	QTY.
	4520-945	REGULATOR VALVE AND CHARGING PUMP ASSEMBLY	1
1	4519-670	CHARGING PUMP ASSEMBLY	1
2	4520-450	SEAL, Pump Shaft	2
3	4520-449	SPRING, Wave	2
4	4519-970	THRUST PLATE AND BEARING ASSEMBLY	2
5	4520-839	SHAFT, Pump Driven	1
6	4519-673	SHAFT, Pump Drive	1
7	4520-834	THRUST PLATE AND BEARING ASSEMBLY	2
8	4520-843	SPOOL, Plugging	1
9	4519-669	PRESSURE REGULATOR VALVE ASSEMBLY	1
10	4519-660	SPOOL, Valve	1
11	4420-721	SPRING, Inner Valve	1
12	4518-531	SPRING, Outer	1
13	4519-680	CUP, Valve Spring Retainer	1
14	4519-699	PLUG	1
15	4517-053	PLUG	2

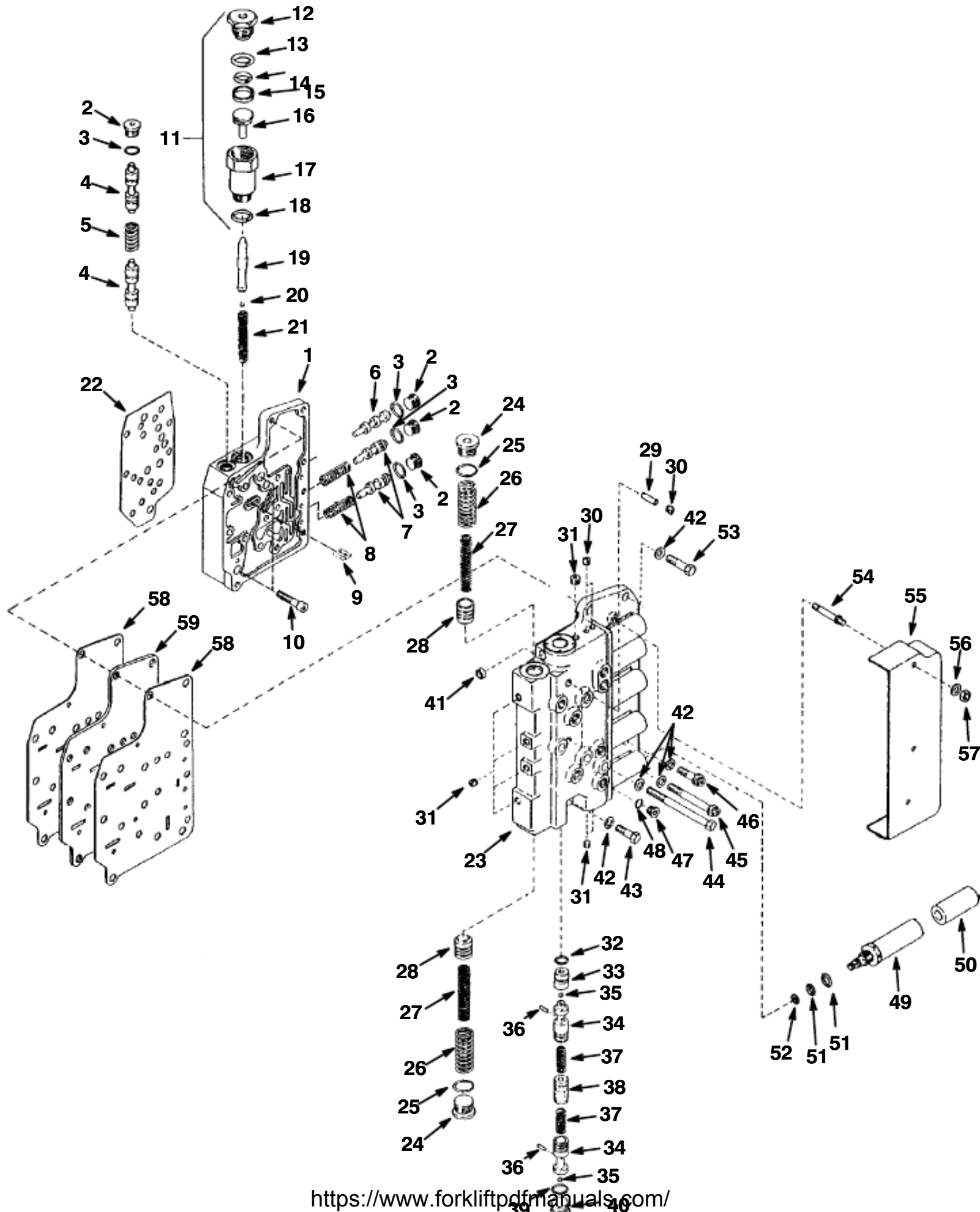




Power Transfer  
**09-082-12**  
 Control Valve With Modulation

# Taylor

MODEL OR SERIES	COMPONENT OR ASSEMBLY NUMBER		
See P. S. O.	TC-34	16.4HR34355-6	2547-637



Power Transfer  
**09-082-12A**  
 Control Valve With Modulation

# Taylor

MODEL OR SERIES	COMPONENT OR ASSEMBLY NUMBER		
See P. S. O.	TC-34	16.4HR34355-6	2547-637

ITEM	PART NUMBER	DESCRIPTION	QTY.
	4520-994	CONTROL VALVE ASSEMBLY, Complete	
1	4517-153	VALVE ASSEMBLY	1
2	4518-406	PLUG	4
3	4520-707	O-RING	4
4	4518-488	SPOOL, Direction	2
5	4518-489	SPRING, Direction Spool	1
6	4517-155	SPOOL, Range	1
7	4517-156	SPOOL, Range	2
8	4517-154	SPRING, Range Spool	2
9	4518-023	STOP	1
10	4517-157	BOLT	2
11	4517-192	AIR ACTUATOR ASSEMBLY	1
12	4520-596	PLUG, Piston Housing Stop	1
13	4520-031	O-RING, Piston Housing Plug	1
14	4520-597	O-RING, Piston	1
15	4519-056	RING, Gylid	1
16	4519-177	PISTON	1
17	4517-193	HOUSING, Piston	1
18	4519-968	O-RING	1
19	4517-151	SPOOL, Declutch	1
20	4519-938	PLUG	1
21	4520-599	SPRING	1
22	4517-150	GASKET	1
23	4517-198	CONTROL VALVE ASSEMBLY	1
24	4519-914	PLUG, Pipe	2
25	4520-029	O-RING, Pipe Plug	2
26	4519-647	SPRING, Accumulator, Outer	2
26A	4420-829	SPRING, Accumulator, Middle	2
27	4519-646	SPRING, Accumulator, Inner	2
28	4517-132	SPOOL, Accumulator	1
29	4517-135	PIN, Roll	2
30	4520-005	PLUG	10
31	4520-498	PLUG	1
32	4517-143	O-RING	1
33	4517-144	STOP	1
34	4517-145	SPOOL, Regulator	2
35	4519-622	BALL	1
36	4517-148	PIN, Roll	1
37	4517-146	SPRING	2
38	4517-147	STOP, Valve	1
39	4520-707	O-RING	1
40	4518-406	PLUG	1
41	4518-536	SPACER	1
42	4519-288	LOCKWASHER	13
43	4420-552	BOLT	1
44	4517-142	BOLT	5
45	4517-141	BOLT	2
46	4517-140	BOLT	4
47	4517-054	PLUG	8
48	4518-521	O-RING	8
49	4520-590	SOLENOID	4

Power Transfer  
**09-082-12B**  
Control Valve With Modulation

# Taylor

MODEL OR SERIES	COMPONENT OR ASSEMBLY NUMBER
See P. S. O.	TC-34                      16.4HR34355-6                      2547-637

ITEM	PART NUMBER	DESCRIPTION	QTY.
50	4520-592	COIL, Solenoid	4
51	4520-591	O-RING	8
52	4520-593	NUT	4
53	4519-615	BOLT	1
54	4517-195	STUD	3
55	4517-138	COVER	1
56	4520-505	WASHER	3
57	4520-987	NUT	3
58	4517-130	GASKET	2
59	4517-131	PLATE	1

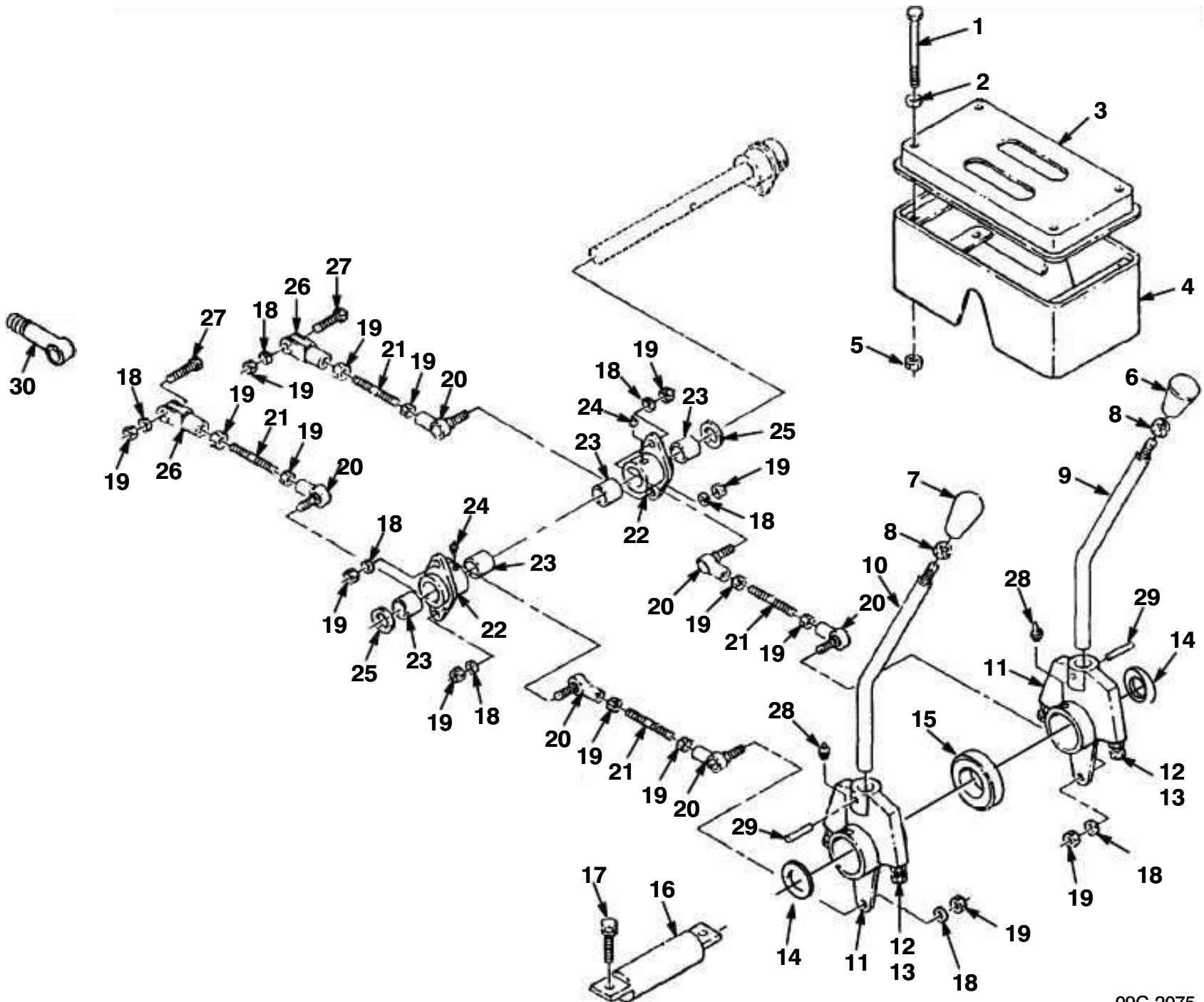




Power Transfer  
**09-658**  
 Transmission Controls

# Taylor

MODEL OR SERIES	COMPONENT OR ASSEMBLY NUMBER
TEC-150H & TEC-155H; TE-360S thru TE-650L; TE-800L thru TE-950S; TEC-920L & TEC-950L; TETC-1100; TELS-800 thru TLS-1000	



09C-2075  
 09C-2080  
 09C-2082

ITEM	PART NUMBER	DESCRIPTION	QTY.
1	1133-154	BOLT, 3/8" - 16 NC x 5-3/4"	4
2	1420	FLATWASHER, 3/8"	4
3	I-0-23-5112	INDICATOR, Shift	1
4	I-1-28-1140	COVER ASSEMBLY, Shift Lever Pivot	1
5	1285-001	NUT, Lock, 3/8" NC	4
6	2550-040	KNOB, Range	1
7	2550-034	KNOB, Direction	1
8	1285-500	NUT, Jam, 3/8"	2
9	I-0-25-2632	ROD, Range Shift Lever	1
10	I-0-25-2633	ROD, Direction Shift Lever	1
11	I-0-25-3036	PIVOT, Control Lever	2
12	1110	BOLT, 5/16" - 18 NC x 1"	4
13	1110	BOLT, 5/16" - 18 NC x 1"	4
14	1110	BOLT, 5/16" - 18 NC x 1"	4
15	1110	BOLT, 5/16" - 18 NC x 1"	4
16	1110	BOLT, 5/16" - 18 NC x 1"	4
17	1110	BOLT, 5/16" - 18 NC x 1"	4
18	1110	BOLT, 5/16" - 18 NC x 1"	4
19	1110	BOLT, 5/16" - 18 NC x 1"	4
20	1110	BOLT, 5/16" - 18 NC x 1"	4
21	1110	BOLT, 5/16" - 18 NC x 1"	4
22	1110	BOLT, 5/16" - 18 NC x 1"	4
23	1110	BOLT, 5/16" - 18 NC x 1"	4
24	1110	BOLT, 5/16" - 18 NC x 1"	4
25	1110	BOLT, 5/16" - 18 NC x 1"	4
26	1110	BOLT, 5/16" - 18 NC x 1"	4
27	1110	BOLT, 5/16" - 18 NC x 1"	4
28	1110	BOLT, 5/16" - 18 NC x 1"	4
29	1110	BOLT, 5/16" - 18 NC x 1"	4
30	1110	BOLT, 5/16" - 18 NC x 1"	4

Power Transfer  
**09-658A**  
 Transmission Controls

# Taylor

MODEL OR SERIES	COMPONENT OR ASSEMBLY NUMBER
TEC-150H & TEC-155H; TE-360S thru TE-650L; TE-800L thru TE-950S; TEC-920L & TEC-950L; TETC-1100; TELS-800 thru TLS-1000	

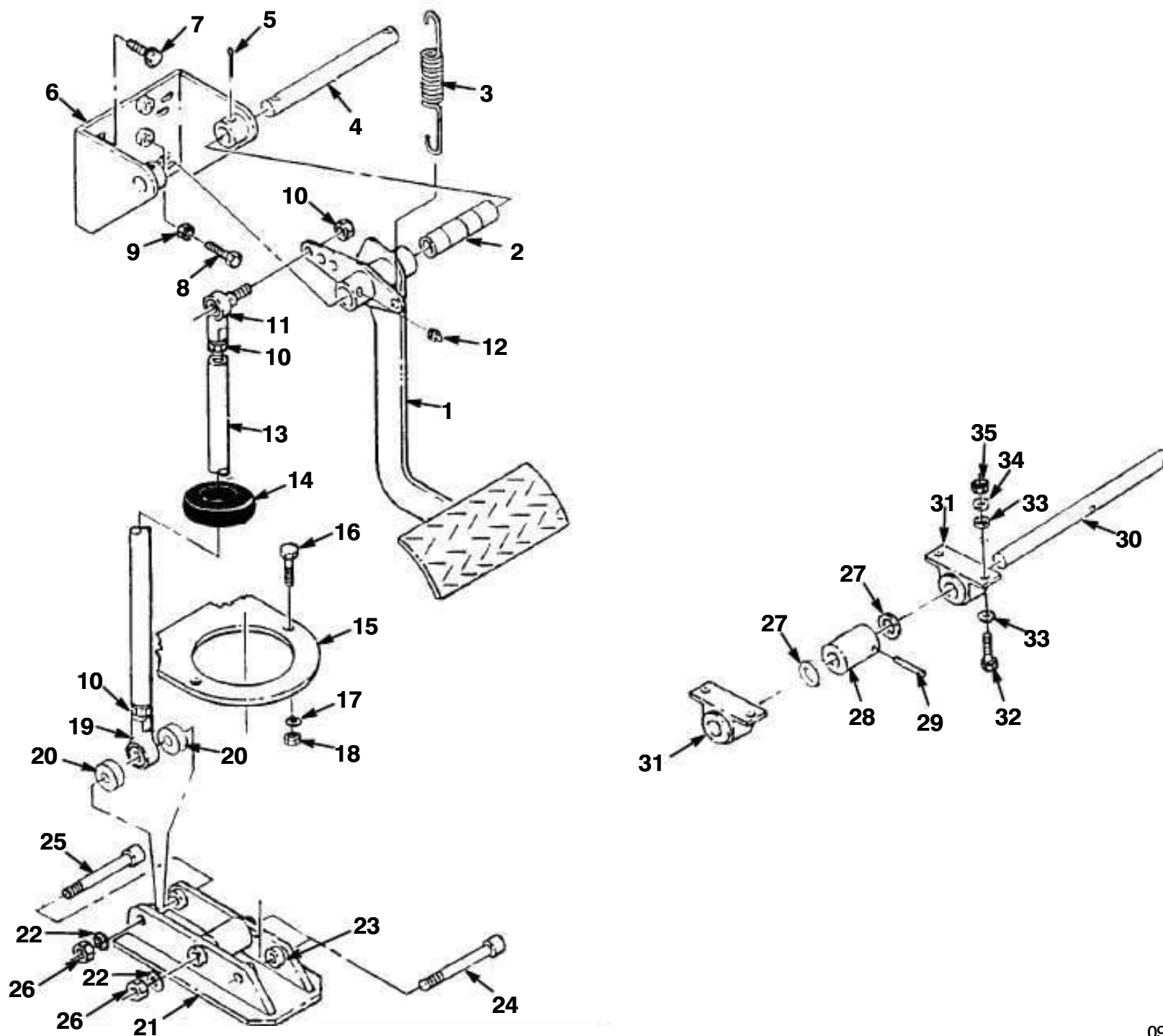
ITEM	PART NUMBER	DESCRIPTION	QTY.
13	1312	NUT, 5/16" NC	4
14	1983-010	WASHER, Thrust	2
15	I-0-25-2630	SPACER, Shifter Lever Pivot	AR
16	I-0-92-0047	PIN, Shift Lever Pivot	1
17	1126-005	BOLT, 3/8" - 16 NC x 1-1/2"	2
18	1381	LOCKWASHER, 5/16"	8
19	1282	NUT, 5/16" NF	12
20	3321-990	END, Female Rod, 5/16"	6
21	1275-102	STUD, 5/16" - 24 NF x 2-1/4"	4
22	I-1-25-1183	SHIFT BELLCRANK ASSEMBLY	2
23	1989-125	BUSHING	2
24	1692	FITTING, Grease	2
25	1983-019	WASHER, Thrust	AR
26	2174-550	CLEVIS	3
27	1009	BOLT, 5/16" - 24 NC x 1-1/4"	2
28	1689	FITTING, Grease	2
29	2174-006	PIN, Drive Lock	2
30	I-0-25-2609	END, Rod Adjustable	2



Power Transfer  
**09-659**  
 Clutch Cut-off/Brake Control

# Taylor

MODEL OR SERIES	COMPONENT OR ASSEMBLY NUMBER
TE-800L thru TE-950S; TELS-800 thru TLS-1000; TEC-920L & TEC-950L; TETC-1100	



09C-2080

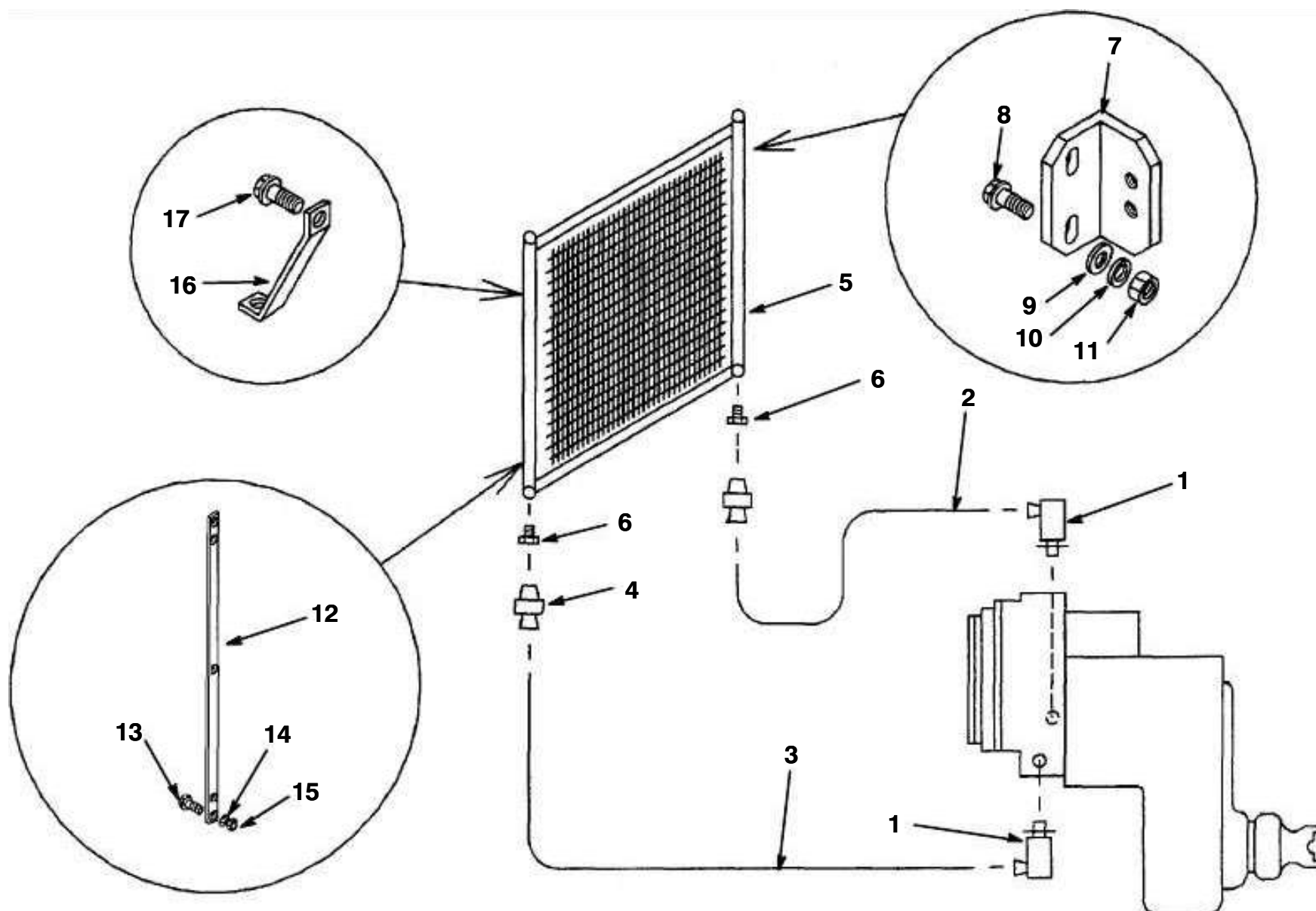
ITEM	PART NUMBER	DESCRIPTION	QTY.
1	I-1-25-1090	BRAKE PEDAL ASSEMBLY	1
1A	I-1-25-1477	BRAKE PEDAL ASSEMBLY (Use w/Dual Pedal)	1
2	1989-150	BUSHING	4
3	2441-222	SPRING	1
4	I-0-90-0066	PIN	1
5	1462	PIN, Cotter, 3/16" x 2"	1
6	I-1-25-1089	ANCHOR ASSEMBLY	1
7	1120-100	BOLT w/WASHER, 3/8" - 16 NC x 1"	4
8	1156	BOLT, 1/2" - 13 NC x 1"	1
9	1321	NUT, 1/2" NC	1
10	1285	NUT, 3/8" NF	3
11	3321-981	END, Female Rod, 3/8"	1
12	1686	FITTING, Grease, 1/8" St.	1
13	I-0-25-2452	ROD, Brake Connector, 15-1/2" Lg.	1



Power Transfer  
**09A-2097**  
 Transmission Cooler Circuit

# Taylor

MODEL OR SERIES	COMPONENT OR ASSEMBLY NUMBER
TE-800L thru TE-925S; TEC-920L & TEC-950L	



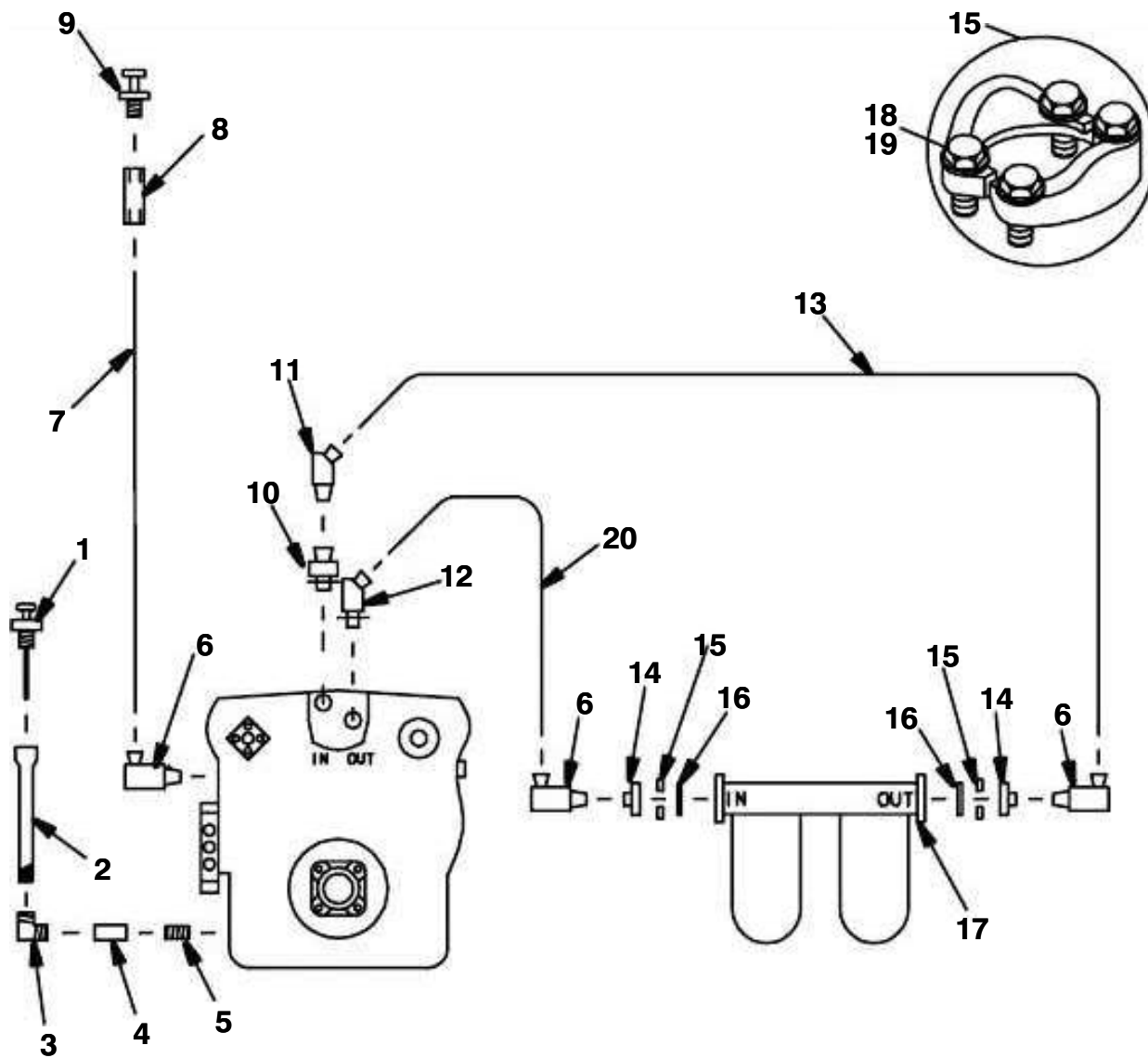
ITEM	PART NUMBER	DESCRIPTION	QTY.
1	3013-070	ADAPTER, 1-5/16" x 1", 90°	2
2	I-1-32-0039	HOSE ASSEMBLY, 1" x 99"	1
3	I-1-32-1089	HOSE ASSEMBLY, 1" x 138"	1
4	3006	ADAPTER 1" x 1", St.	2
5	2568-019	COOLER, Transmission	1
6	2947-856	BUSHING, 1-5/8" x 1"	2
7	I-0-23-6020	ANCHOR, Cooler	4
8	6797	BOLT, 5/16" - 18 NC x 1-1/4"	8
9	1417	FLATWASHER, 5/16"	8
10	1381	LOCKWASHER, 5/16"	8
11	1312	NUT, 5/16" NC	8
12	I-0-23-6024	MOUNT, Cooler	2
13	1141-005	BOLT w/WASHER, 7/16" - 14 NC x 1"	10
14	1423	FLATWASHER, 7/16"	6
15	1318	NUT, 7/16" NC	6
16	I-0-01-5155	BRACE	2
17	1120-100	BOLT w/WASHER, 3/8" - 16 NC x 1"	4



Power Transfer  
**09B-2048**  
 Transmission Oil Filter Circuit

# Taylor

MODEL OR SERIES	COMPONENT OR ASSEMBLY NUMBER
TEC-920L & TEC-950L	



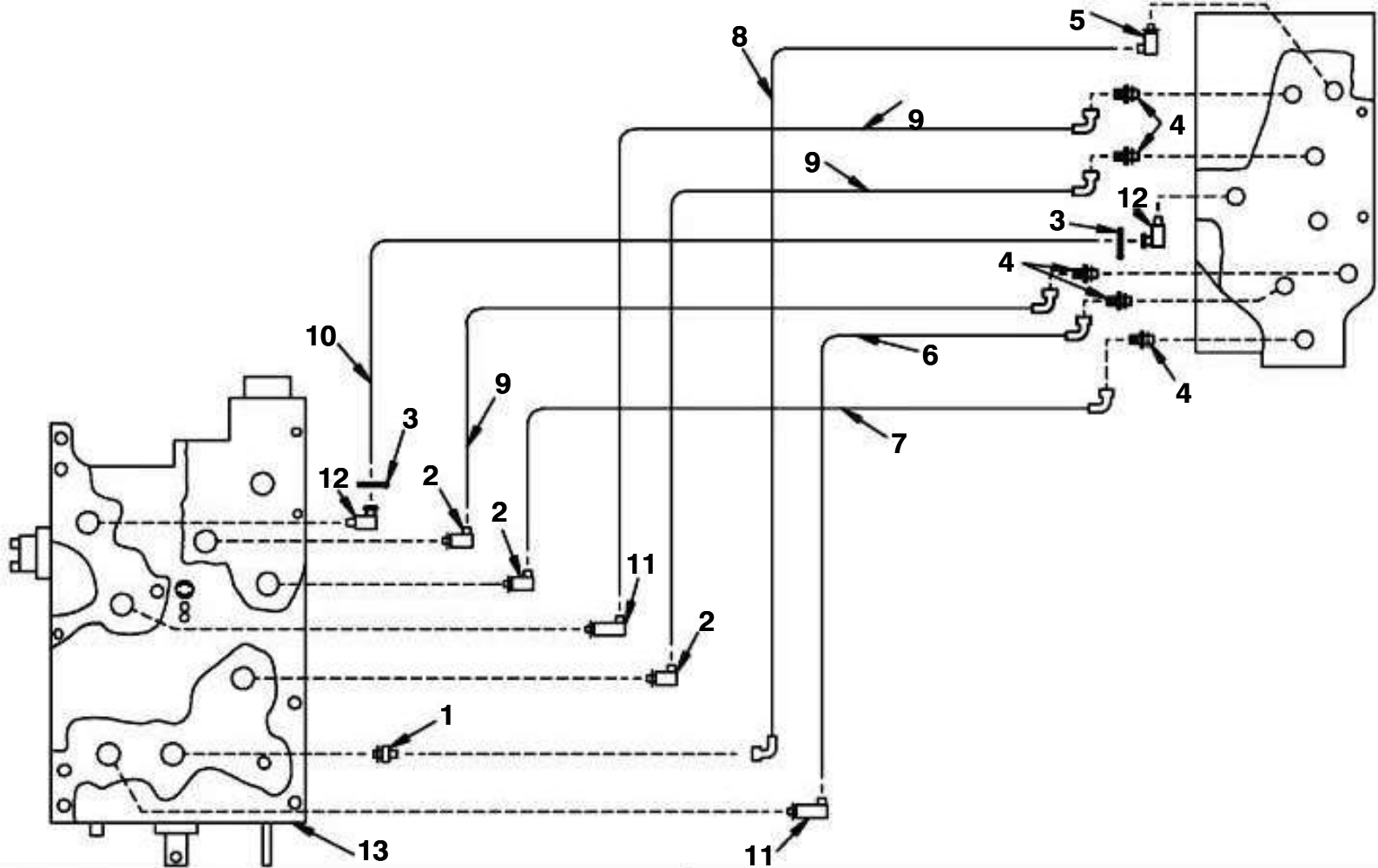
ITEM	PART NUMBER	DESCRIPTION	QTY.
1	2719-501	DIPSTICK	1
2	2719-502	TUBE, Dipstick	1
3	1679-500	FITTING, 90°	1
4	1492	COUPLING, 1/4"	1
5	1521	NIPPLE, 1/4" x 2"	1
6	2967	ADAPTER, 1" x 1", 90°	3
7	I-1-34-0326	HOSE ASSEMBLY, 1" x 29"	1
8	I-1-23-3040	OIL FULL COUPLING ASSEMBLY	1
9	2718-175	PLUG, Adjustable Rubber, 1-1/4"	1
10	3013-028	ADAPTER, 1-5/16" x 1" St.	1
11	3009	ADAPTER, 1" x 1", 45°	1
12	3013-090	ADAPTER, 1-5/16" x 1", 45°	1
13	I-1-32-1947	HOSE ASSEMBLY, 1" x 152"	1
14	I-0-42-8385	ADAPTER, Split Flange	2
15	3016-260	FLANGE, Split, 1-1/2"	4
16	3016-055	O-RING, 1-1/2"	2
17	2404-338	FILTER, Transmission	1
18	1153	BOLT, 1/2" - 13 NC x 1-1/2"	8
19	1396	LOCKWASHER, 1/2"	8
20	I-1-32-1625	HOSE ASSEMBLY, 1" x 133"	1



Power Transfer  
**09C-2083**  
 Remote Control Shifter Circuit

# Taylor

MODEL OR SERIES	COMPONENT OR ASSEMBLY NUMBER
TEC-920L & TEC-950L	



ITEM	PART NUMBER	DESCRIPTION	QTY.
1	2954	ADAPTER, 3/4" x 13/16", St.	1
2	2954-052	ADAPTER, 9/16" x 11/16", 90°	3
3	1710	CLAMP, Hose	2
4	2954-053	ADAPTER, 9/16" x 11/16", St.	5
5	2954-030	ADAPTER, 3/4" x 13/16", 90°	1
6	I-1-32-2098	HOSE ASSEMBLY, 3/8" x 125"	1
7	I-1-32-2096	HOSE ASSEMBLY, 3/8" x 115"	1
8	I-1-32-2099	HOSE ASSEMBLY, 3/8" x 121"	1
9	I-1-32-2097	HOSE ASSEMBLY, 3/8" x 121"	3
10	2130-011	HOSE, 5/8" (Specify Length)	AR
11	2954-074	ADAPTER, 11/16" x 9/16", 90°	2
12	2948-092	FITTING, 1/2" x 5/8", 90°	2
13	2547-988	VALVE, Control	1

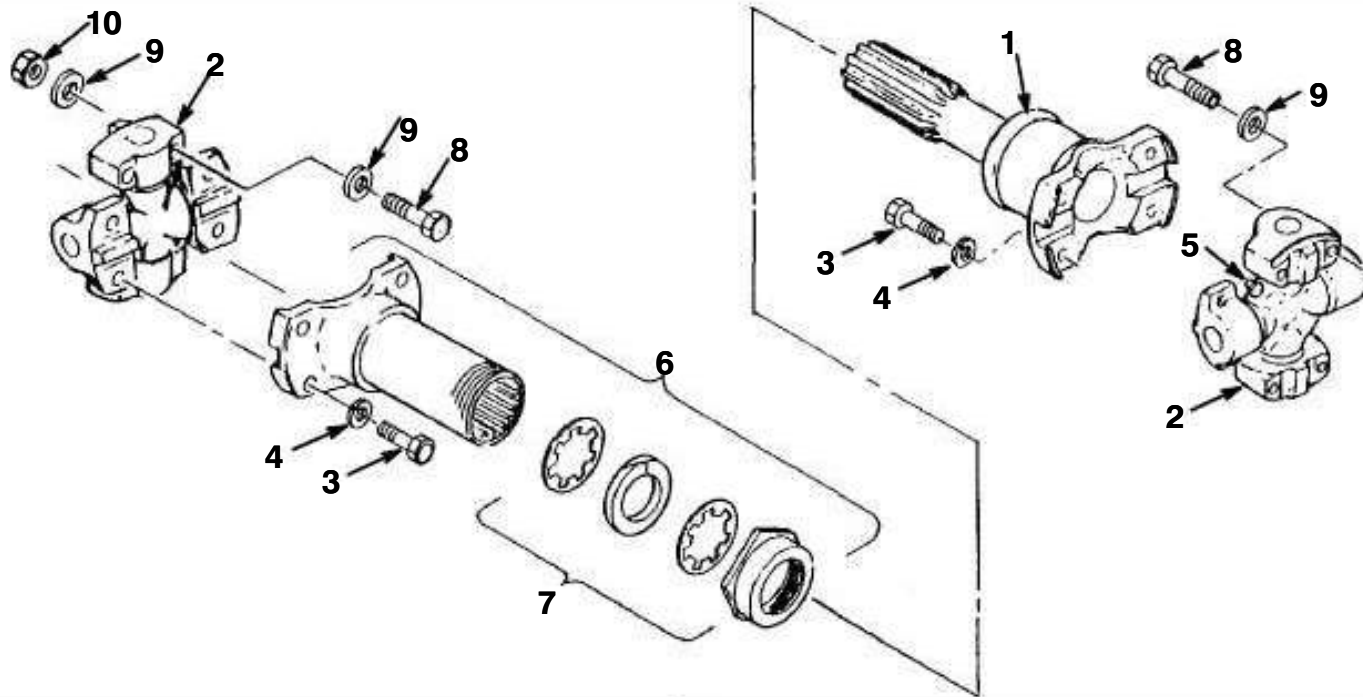




Power Transfer  
**11-040**  
 Drive Line Assembly

# Taylor

MODEL OR SERIES	COMPONENT OR ASSEMBLY NUMBER
See P.S.O.	



ITEM	PART NUMBER	DESCRIPTION	QTY.
	I-1-24-0094	DRIVE SHAFT ASSEMBLY, Complete	
	I-1-24-0150	DRIVE SHAFT ASSEMBLY, Complete	
	I-1-24-0158	DRIVE SHAFT ASSEMBLY, Complete	
	I-1-24-0165	DRIVE SHAFT ASSEMBLY, Complete	
	I-1-24-0292	DRIVE SHAFT ASSEMBLY, Complete	
	I-1-24-0327	DRIVE SHAFT ASSEMBLY, Complete	
	I-1-24-0332	DRIVE SHAFT ASSEMBLY, Complete	
	I-1-24-0341	DRIVE SHAFT ASSEMBLY, Complete	
	I-1-24-0346	DRIVE SHAFT ASSEMBLY, Complete	
	I-1-24-0360	DRIVE SHAFT ASSEMBLY, Complete	
	I-1-24-0361	DRIVE SHAFT ASSEMBLY, Complete	
	I-1-24-0364	DRIVE SHAFT ASSEMBLY, Complete	
1	I-1-24-0129	SHAFT (Used with I-1-24-0094 & I-1-24-0292)	1
1A	I-1-24-0151	SHAFT (Used with I-1-24-0150)	1
1B	1930-140	SHAFT (Used with I-1-24-0158)	1
1C	I-1-24-0164	SHAFT (Used with I-1-24-0165)	1
1D	I-1-24-0328	SHAFT (Used with I-1-24-0327)	1
1E	I-1-24-0333	SHAFT (Used with I-1-24-0332)	1
1F	I-1-24-0347	SHAFT (Used with I-1-24-0346)	1
1G	I-1-24-0349	SHAFT (Used with I-1-24-0341)	1
1H	I-1-24-0362	SHAFT (Used with I-1-24-0361)	1
1I	N. S. S.	SHAFT (Used with I-1-24-0364)	1
1J	I-1-24-0359	SHAFT (Used with I-1-24-0360)	1
2	1930-110	CROSS ASSEMBLY	2
3	3812-041	BOLT, 1/2" - 20 NF x 1-5/8"	8
4	1396	LOCKWASHER, 1/2"	8
5	1686	FITTING, Grease, 1/8", St.	3
6	1930-120	SLIP YOKE ASSEMBLY	1
7	3459-090	REPAIR KIT, Dust Cap	1
8	1075-001	BOLT, 1/2" - 20 NF x 1-1/2" Gr.8	8
8A	1075-005	BOLT, 1/2" - 20 NF x 2-1/2" Gr.8	8
8B	1075-011	BOLT, 1/2" - 20 NF x 3" Gr.8	8
8C	1075-004	BOLT, 1/2" - 20 NF x 2"	8
9	1426-004	WASHER, Hardened, 1/2"	8

10	1291	NUT, 1/2" NF	4
----	------	--------------	---

Revised 7/10/98



# Axles

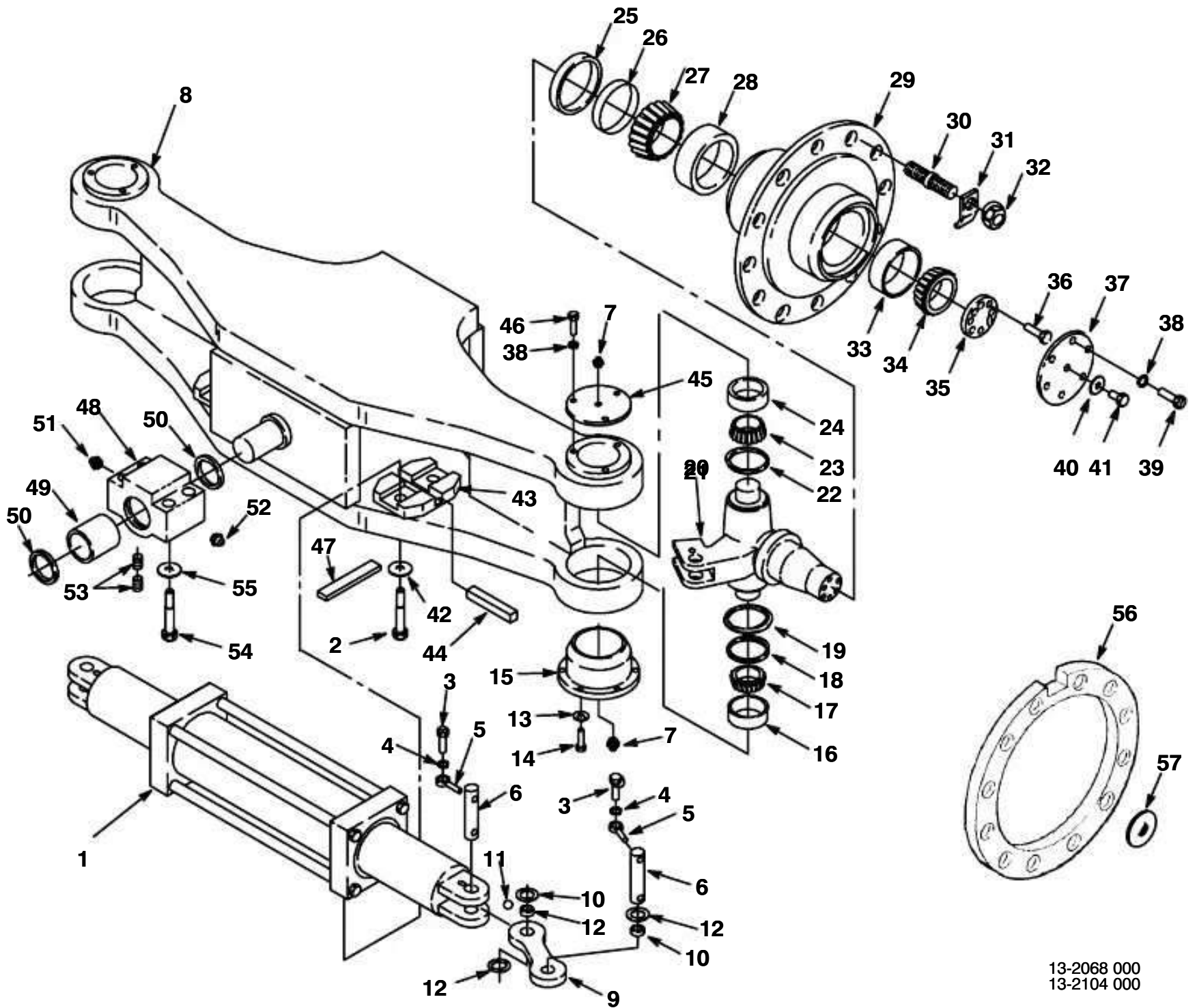
<u>Functional Group</u>	<u>Section</u>
Steer Axle .....	13
Drive Axle .....	14



Axles  
**13-053**  
 Steer Axle Assembly

# Taylor

MODEL OR SERIES	COMPONENT OR ASSEMBLY NUMBER
See P.S.O.	I-1-26-2557 I-1-26-3468



13-2068 000  
13-2104 000

ITEM	PART NUMBER	DESCRIPTION	QTY.
	I-1-26-2557	STEER AXLE ASSEMBLY, Complete	
	I-1-26-3468	STEER AXLE ASSEMBLY, Complete	
1	See P.S.O.	STEER CYLINDER ASSEMBLY	1
2	1218-055	BOLT, 7/8" - 9 NC x 4-1/2", Gr.8	4
3	1183-001	BOLT, 3/4" - 10 NC x 1-3/4", Gr.8	4
4	1402	LOCKWASHER, 3/4"	4
5	I-0-99-0035	LOCK, Pin	4
6	I-0-91-1114	PIN	4
7	1686	FITTING, Grease	4
8	I-1-26-2363	CENTER SECTION ASSEMBLY	1
9	I-1-26-2022	LINK ASSEMBLY	2
10	2007-126	BEARING	2

Axles  
**13-053A**  
 Steer Axle Assembly

# Taylor

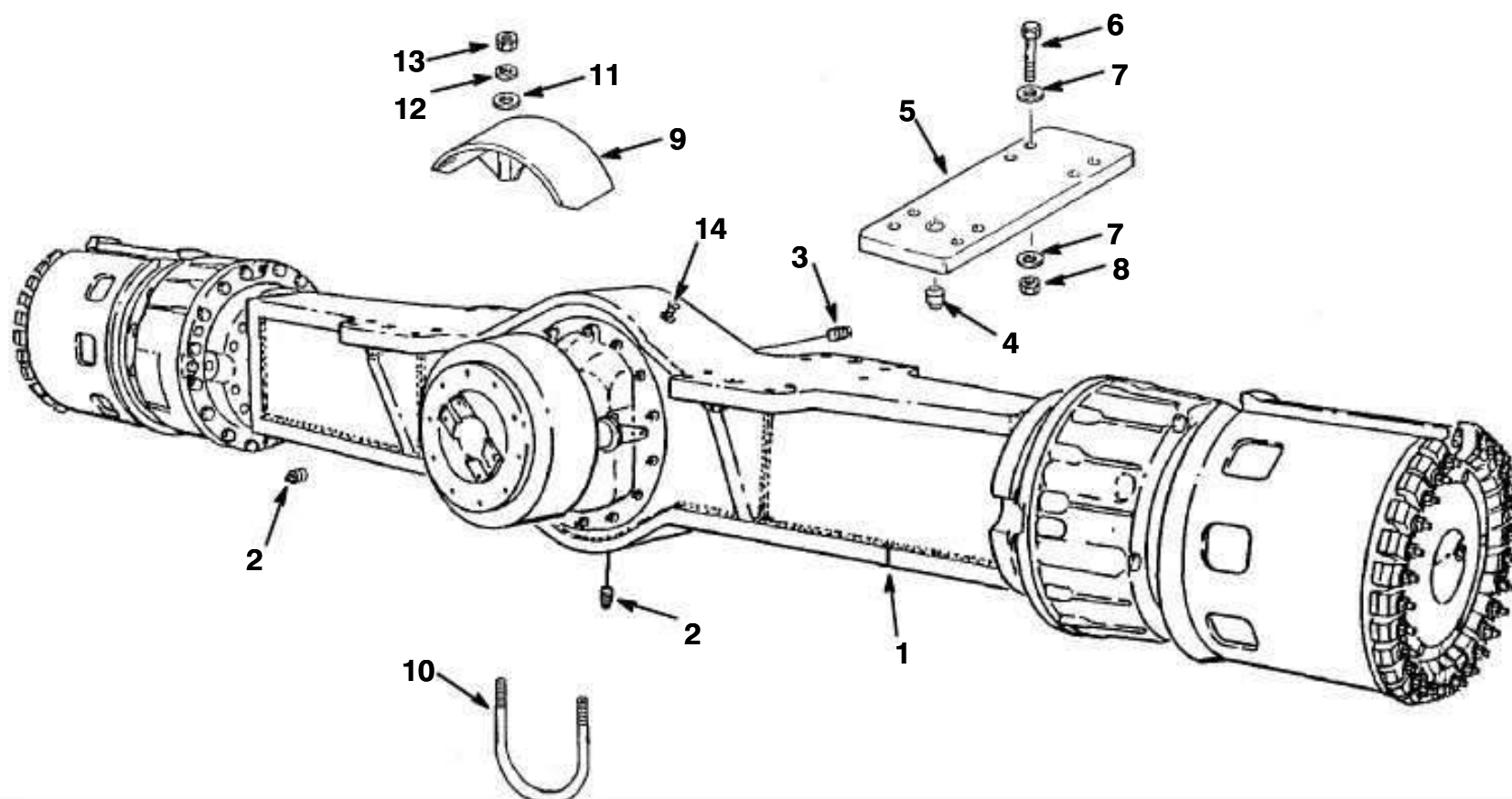
MODEL OR SERIES	COMPONENT OR ASSEMBLY NUMBER
See P.S.O.	I-1-26-2557 I-1-26-3468

ITEM	PART NUMBER	DESCRIPTION	QTY.
12	1749-279*	SPACER	AR
13	1430	WASHER, 5/8" Hard	12
14	1174-010	BOLT, 5/8" - 11 NC x 1-1/2", Gr.8	12
15	I-0-26-2728	BEARING CAP ASSEMBLY	2
16	1938-118*	CUP, Bearing	2
17	1938-119*	CONE, Bearing	2
18	1927-540*	SEAL	2
19	2065-200*	SEAL, Wiper	2
20	I-1-26-2556	SPINDLE, R.H. Steer	1
21	I-1-26-2555	SPINDLE, L.H. Steer	1
22	2065-195*	SEAL	2
23	1943-254*	CONE, Bearing	2
24	1943-253*	CUP, Bearing	2
25	1927-004	SEAL	2
26	1927-005	RING, Wear	2
27	1943-251	CONE, Bearing	2
28	1943-252	CUP, Bearing	2
29	I-1-26-2019	WHEEL ASSEMBLY	2
30	2065-092	STUD	24
30A	2065-104	STUD (Used w/Stud Protector)	24
31	2663-010	CLAMP	24
32	3801	NUT, Wheel	24
33	3678	CUP, Bearing	2
34	3681	CONE, Bearing	2
35	I-0-26-2794	CAP, Spindle	1
36	1271-025	SCREW, 5/8" - 11 NC x 3/4", 12 pt.	16
37	I-0-26-2245	CAP, Hub	2
38	1384	LOCKWASHER, 3/8"	18
39	1120-100	BOLT w/WASHER, 3/8" - 16 NC x 1-1/2"	12
40	2695-132	WASHER	1
41	2695-131	PLUG	1
42	1430-010	FLATWASHER, 7/8" Hard	4
43	I-0-26-2233	BLOCK, Cylinder Support, R.H.	1
43A	I-0-26-2232	BLOCK, Cylinder Support, L.H.	1
44	I-0-31-0511	BAR, Lock	2
45	1120	BOLT w/WASHER, 3/8" - 16 NC x 3/4"	6
46	I-0-26-3681	COVER	2
47	I-0-26-2807	BAR, Bolt Keeper	2
	I-1-26-3645	PILLOW BLOCK PIVOT ASSEMBLY	2
48	I-0-26-2288	BLOCK, Axle Pivot Pillow	1
49	1998-013	BUSHING, Bronze	1
50	2789-310	SEAL	2
51	1686	FITTING, Grease, 1/8" St.	1
52	1690-100	FITTING, Grease Relief	1
53	1250-100	SETSCREW, 1/2" - 13 NC x 5/8"	2
54	1218-055	BOLT, 7/8" - 9 NC x 4-1/2" Gr.8	8
55	1430-010	FLATWASHER, 7/8" hard	8
56	I-0-26-4519	PROTECTOR, Stud	2
57	1432-500	FLATWASHER	24

Axles  
**14-075-1**  
Drive Axle Assembly

# Taylor

MODEL OR SERIES	COMPONENT OR ASSEMBLY NUMBER			
See P. S. O.	MPS-3392	MPS-3392D	I-1-04-0316	I-1-04-0500
	MPS-3392A	MPS-3392F	I-1-04-0477	I-1-04-0519
	MPS-3392B	MPS-3392H		

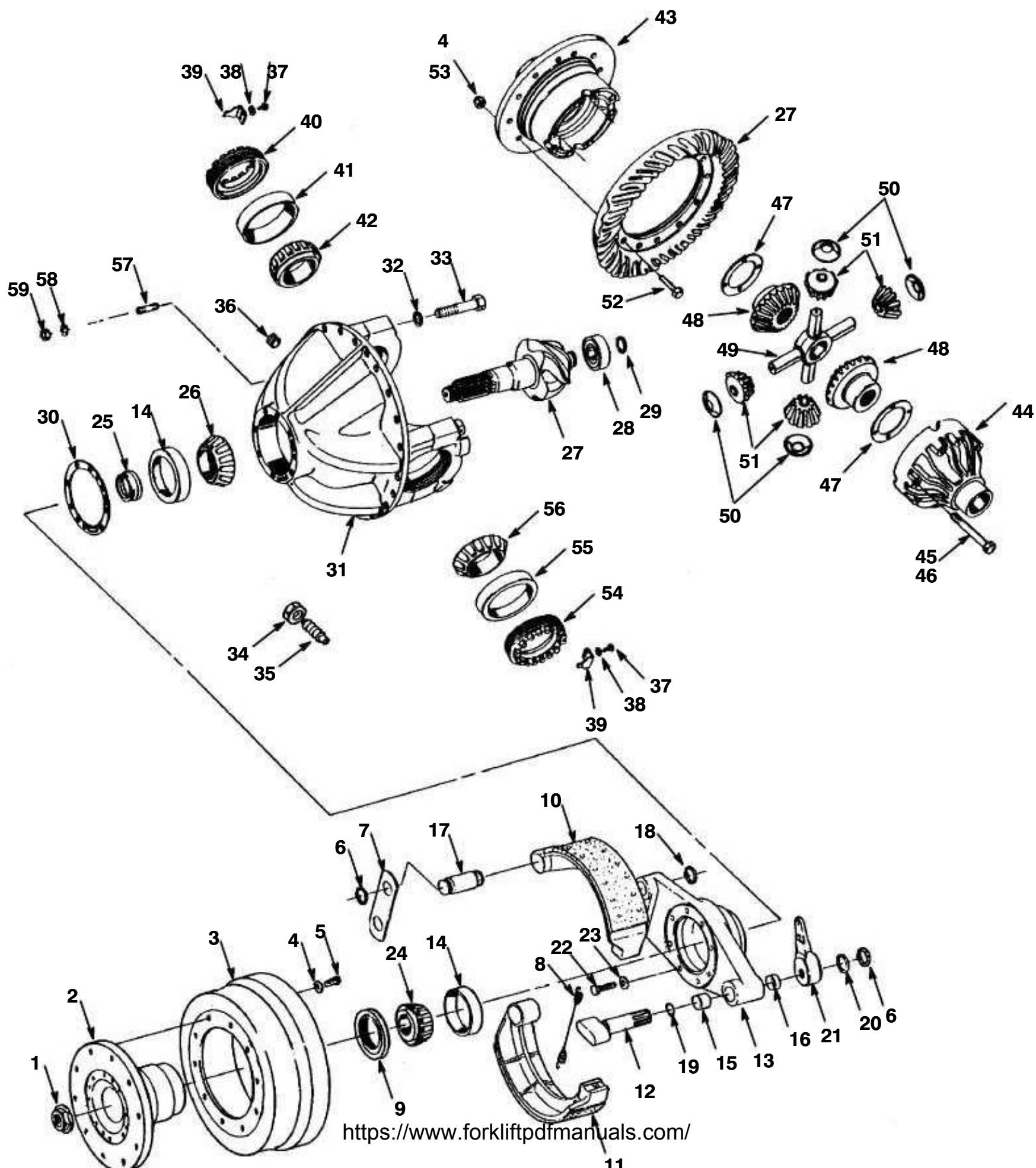


ITEM	PART NUMBER	DESCRIPTION	QTY.
	I-1-04-0316	DRIVE AXLE ASSEMBLY, Complete	
	I-1-04-0477	DRIVE AXLE ASSEMBLY, Complete (with Boom Hangers)	
	I-1-04-0500	DRIVE AXLE ASSEMBLY, Complete	
	I-1-04-0519	DRIVE AXLE ASSEMBLY, Complete	
1	I-1-04-0413	CENTER ASSEMBLY (For I-1-04-0316)	1
1A	I-1-04-0476	CENTER ASSEMBLY (For I-1-04-0477 & I-1-04-0500)	1
1B	I-1-04-0518	CENTER ASSEMBLY (For I-1-04-0519)	1
2	1489	PLUG, Magnetic Pipe, 1-1/4"	3
3	1482	PLUG, 3.4"	1
4	I-0-04-0431	DOWEL	2
5	I-0-04-0502	PAD, Axle (For I-1-04-0316)	2
5A	I-0-04-0602	PAD, Axle (For I-1-04-0477, I-1-04-0500, I-1-04-0519)	2
6	1110-056	BOLT, 1-1/4" - 12 NF x 5-1/2" Gr.	2
7	3260-012	WASHER, Hard, 1-1/4"	16
8	1303	NUT, 1-1/4" NF	32
9	I-1-04-0314	SHIELD, Brake Drum	1
10	I-0-04-0505	BAND, U-bolt	1
11	1420	FLATWASHER, 3/8"	2
12	1384	LOCKWASHER, 3/8"	2
13	1315	NUT, 3/8" NC	2
14	3810-979	BREATHER	1

Axles  
**14-075-2**  
 Differential and Carrier Assembly

# Taylor

MODEL OR SERIES	COMPONENT OR ASSEMBLY NUMBER		
See P. S. O.	MPS-3392	MPS-3392D	I-1-04-0316
	MPS-3392A	MPS-3392F	I-1-04-0477
	MPS-3392B	MPS-3392H	I-1-04-0519





Axles  
**14-075-2A**  
 Differential and Carrier Assembly

# Taylor

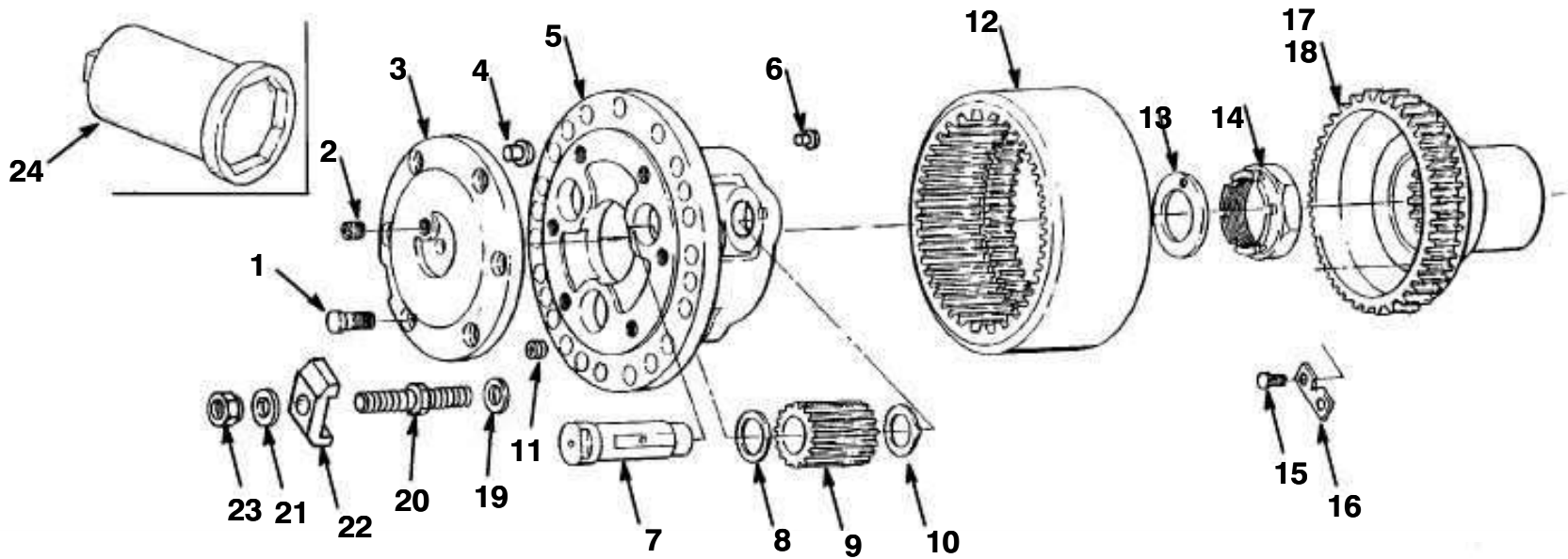
MODEL OR SERIES		COMPONENT OR ASSEMBLY NUMBER				
See P. S. O.		MPS-3392	MPS-3392D	I-1-04-0316	I-1-04-0500	
		MPS-3392A	MPS-3392F	I-1-04-0477	I-1-04-0519	
		MPS-3392B	MPS-3392H			
ITEM	PART NUMBER	DESCRIPTION				QTY.
	3814-669	DIFFERENTIAL AND CARRIER ASSEMBLY, Complete (4.88 Ratio)				
	3814-121	DIFFERENTIAL AND CARRIER ASSEMBLY, Complete (5.29 Ratio)				
1	3812-163	NUT, Bevel Pinion				1
2	3814-165	FLANGE, Brake Drum				1
3	3814-155	DRUM, Brake (Parking Brake)				1
4	3812-178	WASHER				26
5	3814-159	BOLT				10
6	3811-291	RING, Snap				3
7	3812-815	STRAP, Anchor Pin				1
8	3812-824	SPRING, Brake Shoe Return				1
9	3814-158	SEAL, OIL				1
10	3812-840	BRAKE SHOE ASSEMBLY (Top)				1
11	3812-841	BRAKE SHOE ASSEMBLY (Bottom)				1
12	3812-821	CAMSHAFT, Brake				1
13	3814-152	SPIDER, Brake				1
14	3812-800	CUP, Pinion, Outer				2
15	3812-812	BUSHING, Camshaft				1
16	3812-813	BUSHING, Camshaft				1
17	3814-153	PIN, Brake Anchor				2
18	3811-291	RING, Snap				2
19	3812-846	O-RING, Camshaft				1
20	3812-814	WASHER, Camshaft				1
21	3814-156	ADJUSTER, Slack				1
22	3813-536	BOLT				8
23	3810-272	WASHER				8
24	3812-802	CONE, Pinion Bearing, Outer				1
25	3812-277	SPACER, Pinion Bearing .248				AR
25A	3812-288	SPACER, Pinion Bearing .283				AR
26	3812-804	CONE, Pinion Bearing, Inner				1
27	3814-163	DRIVE GEAR AND PINION ASSEMBLY (5.29 Ratio)				1
27A	3813-229	DRIVE GEAR AND PINION ASSEMBLY (4.88 Ratio)				1
28	3814-160	BEARING, Bevel Pinion Rear				1
29	3814-161	RING, Bevel Pinion Rear Bearing Snap				1
30	3510-510	SHIM, Pinion Bearing Cage .003				AR
30A	3510-511	SHIM, Pinion Bearing Cage .005				AR
30B	3510-512	SHIM, Pinion Bearing Cage .010				AR
31	3810-341	DIFFERENTIAL CARRIER AND CAPS ASSEMBLY				1
32	3812-190	WASHER				4
33	3812-744	BOLT				4
34	3812-161	NUT, Thrust Block				1
35	3812-140	SCREW, Thrust				1
36	3810-470	PLUG				1
37	3810-494	BOLT, Adjusting Ring Lock				4
38	3813-013	WASHER, Adjusting Ring Lock				4
39	3812-155	LOCK, Adjusting Ring				2
40	3812-352	RING, Adjusting				1
41	3810-422	CUP, Bearing				1
42	3810-409	CONE, Bearing				1
	3814-146	DIFFERENTIAL CASE ASSEMBLY				1
43	N.S.S.	CASE, Flange Half				1



Axles  
**14-075-3**  
 Planetary Drive

# Taylor

MODEL OR SERIES	COMPONENT OR ASSEMBLY NUMBER			
See P. S. O.	MPS-3392	MPS-3392D	I-1-04-0316	I-1-04-0500
	MPS-3392A	MPS-3392F	I-1-04-0477	I-1-04-0519
	MPS-3392B	MPS-3392H		

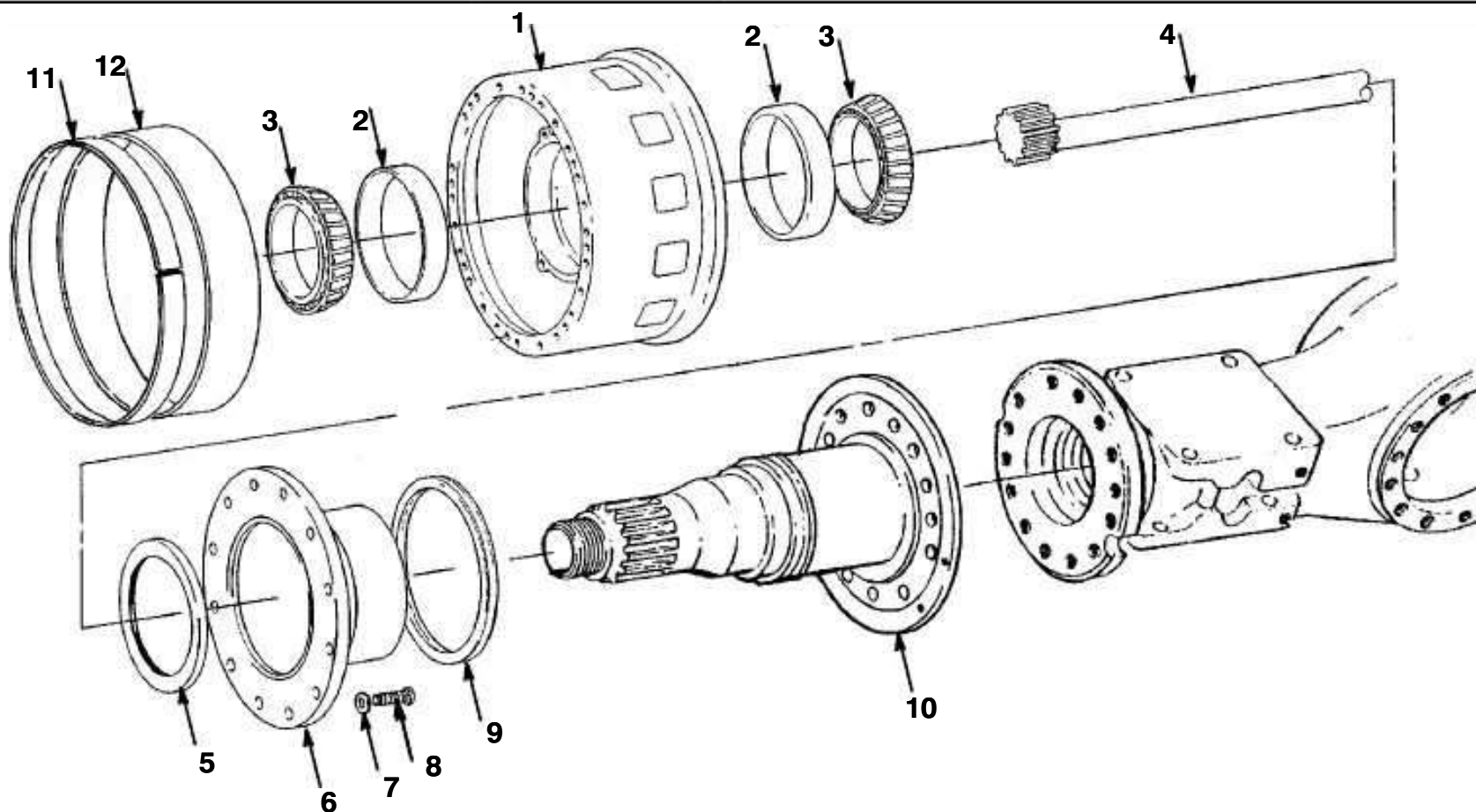


ITEM	PART NUMBER	DESCRIPTION	QTY.
1	3812-123	BOLT, Planetary Spider Cover	12
2	3810-470	PLUG, Planetary Spider Cover	2
3	3814-051	COVER AND BUTTON ASSEMBLY	2
4	3814-052	BUTTON, Thrust	1
	3814-771	PLANETARY SPIDER ASSEMBLY	2
5	3814-768	SPIDER	2
6	3813-559	BUTTON, Thrust	3
7	3814-133	SHAFT, Pinion	3
8	3812-252	WASHER, Pinion Thrust, Outer	3
9	3814-140	PINION, Planetary	3
10	3811-223	WASHER, Pinion Thrust, Inner	3
11	3812-817	PLUG, Planetary Spider	2
12	3814-141	GEAR, Planetary Ring	2
13	3813-620	WASHER AND PIN ASSEMBLY	2
14	3812-245	NUT, Wheel Bearing Adjusting	2
15	3814-124	BOLT, Adjusting Nut Lock	8
16	3811-181	LOCK, Adjusting Nut	4
17	3814-142	HUB AND SLEEVE ASSEMBLY	2
18	3811-326	SLEEVE	1
19	3812-190	WASHER, Stud to Hub	56
20	3814-128	STUD, Wheel (5.750" Lg.)	56
20A	3814-569	STUD, Wheel (6.120" Lg.)	56
21	3813-354	WASHER, Wheel Stud Nut (Used with 3814-128 Stud)	56
21A	3814-571	WASHER, Wheel Stud Nut (Used with 3814-569 Stud)	56
22	3814-132	CLAMP, Wheel	56
23	3662-001	NUT, Stud (Used with 3814-128 Stud)	56
23A	3814-570	NUT, Stud (Used with 3814-569 Stud)	56
24	I-1-96-0133	WRENCH, Spindle Nut Socket	1

Axles  
**14-075-4**  
 Axle Spindle, Shaft, and Hub

# Taylor

MODEL OR SERIES	COMPONENT OR ASSEMBLY NUMBER			
See P. S. O.	MPS-3392	MPS-3392D	I-1-04-0316	I-1-04-0500
	MPS-3392A	MPS-3392F	I-1-04-0477	I-1-04-0519
	MPS-3392B	MPS-3392H		

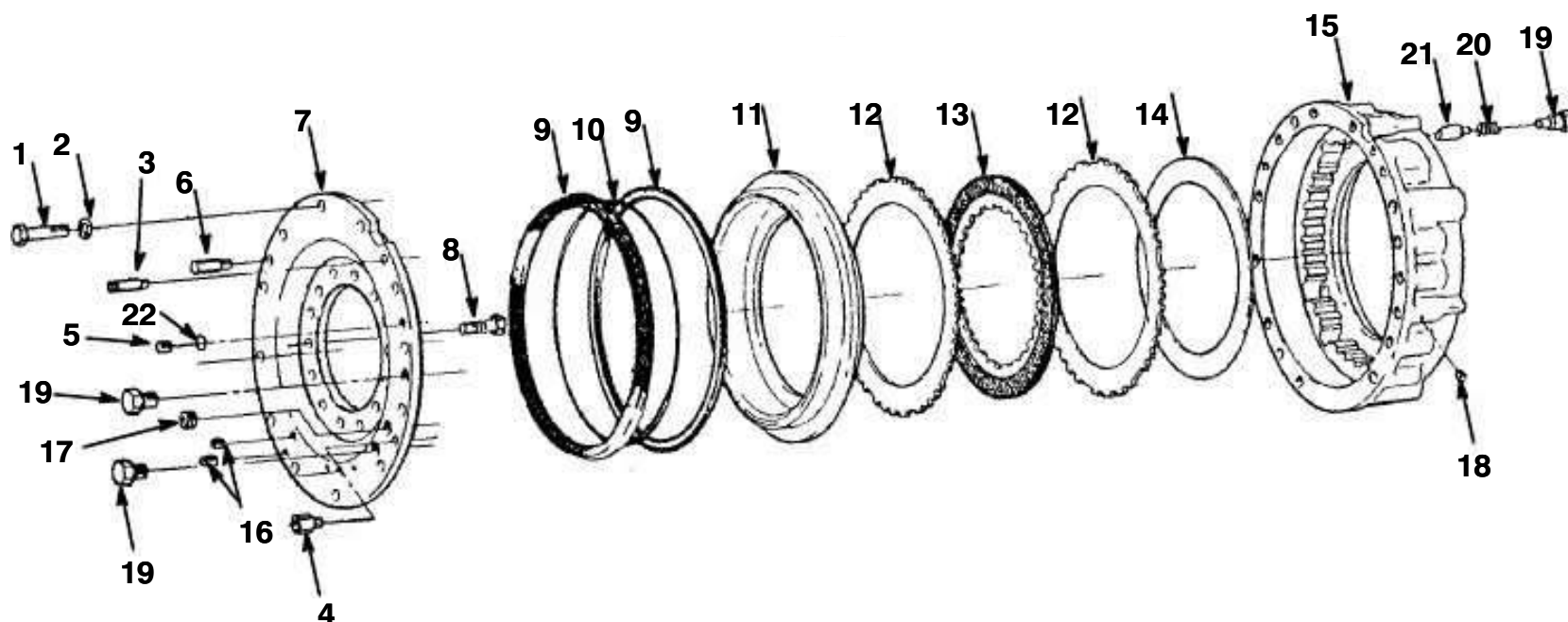


ITEM	PART NUMBER	DESCRIPTION	QTY.
1	3814-129	HUB AND CUP ASSEMBLY	2
2	3814-122	CUP	2
3	3814-123	CONE, Wheel Bearing	4
4	3814-134	SHAFT, Axle, R.H.	1
4A	3814-135	SHAFT, Axle, L.H.	1
4B	3812-878	SHAFT, Axle, L.H. (For I-1-04-0519)	1
4C	3812-879	SHAFT, Axle, R.H. (For I-1-04-0519)	1
5	3814-130	SEAL, Hub Inner Bearing Oil	4
6	3814-137	DRIVER, Disc Brake	2
7	3814-300	WASHER, Driver to Hub Bolt	24
8	3814-670	BOLT, Driver to Hub	24
9	3814-005	SEAL ASSEMBLY, Face	2
10	3814-136	SPINDLE	2
11	I-1-05-0146	BAND, Wedge, 5-1/2" Wide	2
11A	I-1-05-0145	BAND, Wedge, 7-1/2" Wide	2
11B	2660-100	BAND, Wedge, 6.69" Wide	2
12	2660-055	SPACER, Wheel, 6-1/2" Wide	2
12A	I-1-05-0121	SPACER, Wheel, 8-3/4" Wide	2
12B	2660-101	SPACER, Wheel, 7.25" Wide	2

Axles  
**14-075-5**  
 Wet Disc Brake Assembly

# Taylor

MODEL OR SERIES	COMPONENT OR ASSEMBLY NUMBER			
See P. S. O.	MPS-3392	MPS-3392D	I-1-04-0316	I-1-04-0500
	MPS-3392A	MPS-3392F	I-1-04-0477	I-1-04-0519
	MPS-3392B	MPS-3392H		



ITEM	PART NUMBER	DESCRIPTION	QTY.
1	3814-126	BOLT, Brake Cover to Housing	32
2	3812-190	WASHER, Brake Cover to Housing	32
3	3814-034	SCREW, Brake Bleeder	2
4	3814-045	FITTING, Brake Inlet	2
NI	3814-182	O-RING	1
5	3811-671	PLUG, Brake Cover	2
6	3814-046	PLUG, Inlet Fitting	2
7	3814-138	COVER, Brake, R.H.	1
7A	3814-139	COVER, Brake, L.H.	1
8	3810-778	BOLT, Cover to Housing	36
9	3814-013	SEAL, Oil Piston	4
10	3814-033	O-RING, Oil Piston	2
11	3814-020	PISTON	2
12	3814-027	DISC, Stationary	**
13	3814-029	DISC, Friction	20
14	3814-307	SPACER	2
	I-1-98-0424*	BRAKE HOUSING KIT	2
15	3814-406	HOUSING	1
16	3814-018	PLUG, Drain	2
17	3810-470	PLUG, Housing Fill & Level	2
18	3812-987	PLUG	6
19	3814-017	PLUG ASSEMBLY	8
20	3814-021	SPRING	1
21	NSS	GUIDE	1
NI	NSS	ROD	1
NI	3814-012	PIN, Roll	1
NI	3814-010	O-RING	1
22	3814-312	O-RING	2

\*NOTE: Kit includes (1) 3814-010 O-Ring, (1) 3814-012 Pin, (1) 3814-021 Spring, (1) 3814-027 Stationary Disc, and (1) 3814-307 Spacer.

		**NOTE: The quantity of stationary discs for some axles is 20 (10 per side), some have a quantity of	
		22 (11 per side).	

Revised 11/12/01



<u>Functional Group</u>	<u>Section</u>
Brake Control System .....	15

## Brake Control System

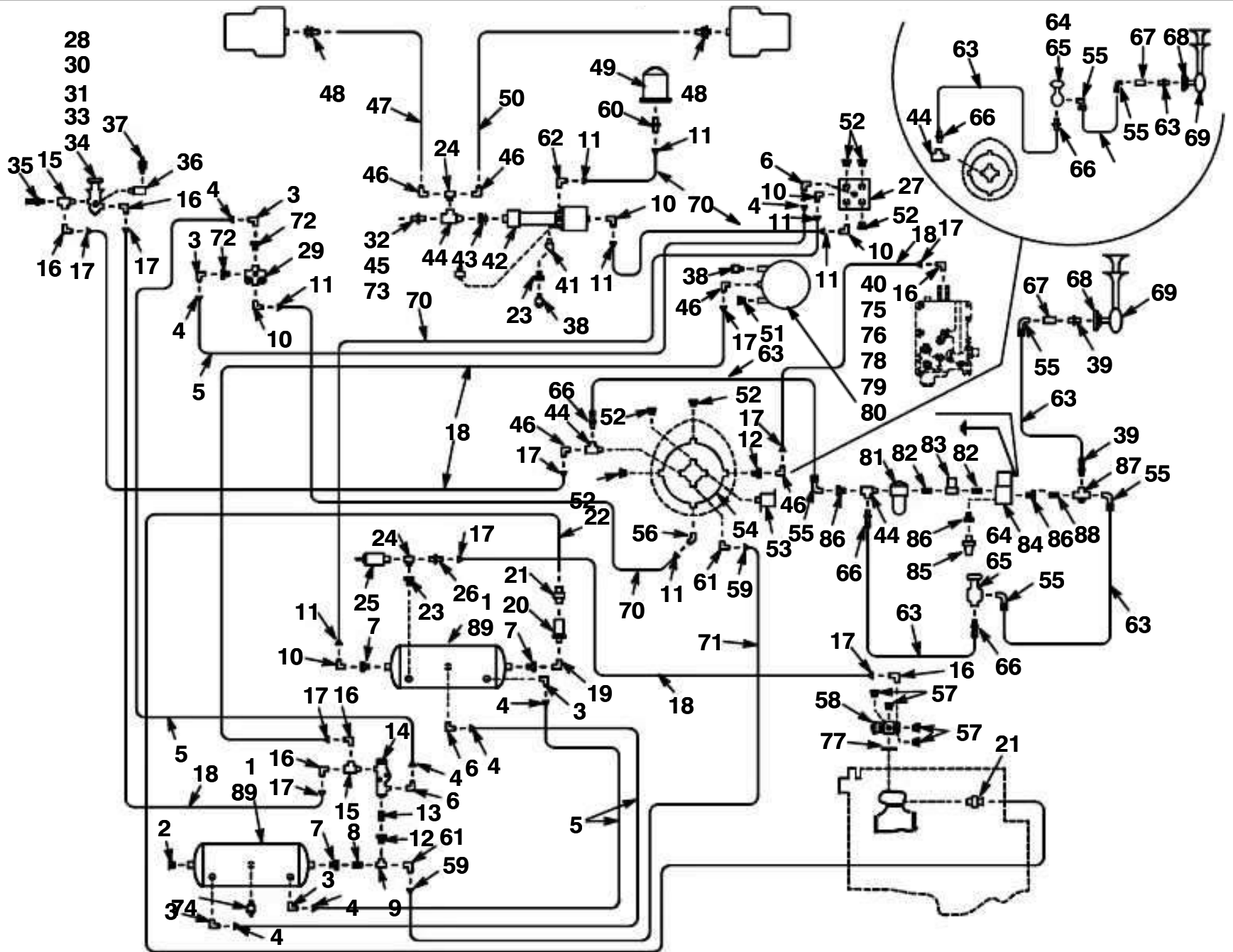




Brake Control System  
**15-2160**  
 Air Brake Circuit

# Taylor

MODEL OR SERIES	COMPONENT OR ASSEMBLY NUMBER
TE-800L, TE-900S, TE-925S, TEC-920L, TEC-950L & TECP-950L	



ITEM	PART NUMBER	DESCRIPTION	QTY.
1	2243-403	TANK, Air	2
2	1482	PLUG, 3/4"	1
3	2243-748	ADAPTER, 3/8" x 5/8", 90°	4
4	2947-210	FITTING, Female, 3/8" x 5/8", 90°	8
5	2836-050	HOSE, Air, 3/8" (Specify Length)	AR
6	2243-745	ADAPTER, 1/4" x 5/8", 90°	3
7	1556	BUSHING, 3/4" x 1/2"	3
8	1525	NIPPLE, 1/2"	1
9	1629	TEE, 1/2"	1
10	2243-750	FITTING, 1/2" x 3/4", 90°	4
11	2947-260	FITTING, Female, 1/2" x 3/4"	8
12	1558	BUSHING, 1/2" x 1/4"	2
13	1520-010	NIPPLE, 1/4"	1
14	2243-393	VALVE, TR-3	1
15	1749-060	TEE, Street, 1/8"	2
16	2243-730	ADAPTER, 1/8" x 7/16", 90°	6

17	2947-250	FITTING, Female	10
18	2836	HOSE, Air, 1/4" (Specify Length)	AR

Revised 1/30/96

**Brake Control System  
15-2160A  
Air Brake Circuit**

# Taylor

MODEL OR SERIES	COMPONENT OR ASSEMBLY NUMBER
TE-800L, TE-900S, TE-925S, TEC-920L, TEC-950L & TECP-950L	

ITEM	PART NUMBER	DESCRIPTION	QTY.
19	1581	ELBOW, 1/2", 90°	1
20	2243-919	VALVE, Check	1
21	2994	ADAPTER, 1/2" x 1/2", St.	2
22	I-1-33-0061	HOSE ASSEMBLY, Teflon, 1/2" x 140" Lg.	1
23	1574-005	BUSHING, 3/8" x 1/4"	2
24	1749-247	TEE, Branch	2
25	2243-540	VALVE, Pop-Off	1
26	1665-001	ADAPTER, 1/4" x 7/16", St.	1
27	2243-611	VALVE, Relay	1
28	2243-962	PIN	1
29	1000-192	VALVE, Shuttle	1
30	2243-963	NUT	1
31	2243-964	BUTTON	1
32	2244-049	DISCONNECT, Female	1
33	3374-701	DECAL, PP1	1
34	2243-961	VALVE, PP-1	1
35	2243-826	FITTING, Tube, 1/8" x 3/16"	1
36	2244-065	ELBOW, Street, 1/8" x 1/4", 90°	1
37	2316-800	SWITCH, Low Air	1
38	2243-447	BREATHER	2
39	2243-715	FITTING, TUBE, 1/8" x 1/4", ST.	2
40	1291	NUT, 1/2" NF	1
41	1665-004	ELBOW, Street, 3/8" x 3/8", 45°	1
42	2212-217	CLUSTER, Power	1
NI	3946-055	PROTECTOR, Thread	1
NI	3946-056	SCREW, Bleeder	1
NI	3946-057	CONTACT ASSEMBLY	1
NI	3946-103	KIT, Repair	1
43	2948-050	BUSHING, 9/16" x 1/4"	1
44	1749-246	TEE, Street, 1/4"	3
45	2244-050	DISCONNECT, Male	1
46	2243-740	ADAPTER, 1/4" x 7/16", 90°	5
47	I-1-32-0411	HOSE ASSEMBLY, 1/4" x 82-1/2" Lg.	1
48	2947-348	ADAPTER, 9/16" x 7/16", St.	2
49	2720-280	RESERVOIR	1
NI	5921-226	BOOT	1
50	I-1-32-1454	HOSE ASSEMBLY, 1/4" x 68" Lg.	1
51	1478-005	PLUG, 1/4"	1
52	1480	PLUG, 1/2"	6
53	2243-450	SWITCH, Low Air	1
54	2243-396	PEDAL, Brake	1
NI	5925-205	KIT, Seal	1
NI	3835-760	PAD, Rubber	1
NI	2243-521	PLATE	1
55	2945-201	FITTING, Tube, 1/8" x 1/4", 90°	4
56	2243-834	ADAPTER, 1/2" x 3/4", 45°	1
57	1477-100	PLUG, 1/8"	4
58	2243-500	GOVERNOR	1
59	2947-215	FITTING, Female, 3/4" x 1/16"	2

60	2243-705	ADAPTER, 3/8" x 3/4", ST.	1
61	2947-010	ADAPTER, 1/2" x 1/16", 90°	2

Revised 1/30/96

**Brake Control System**  
**15-2160B**  
**Air Brake Circuit**

# Taylor

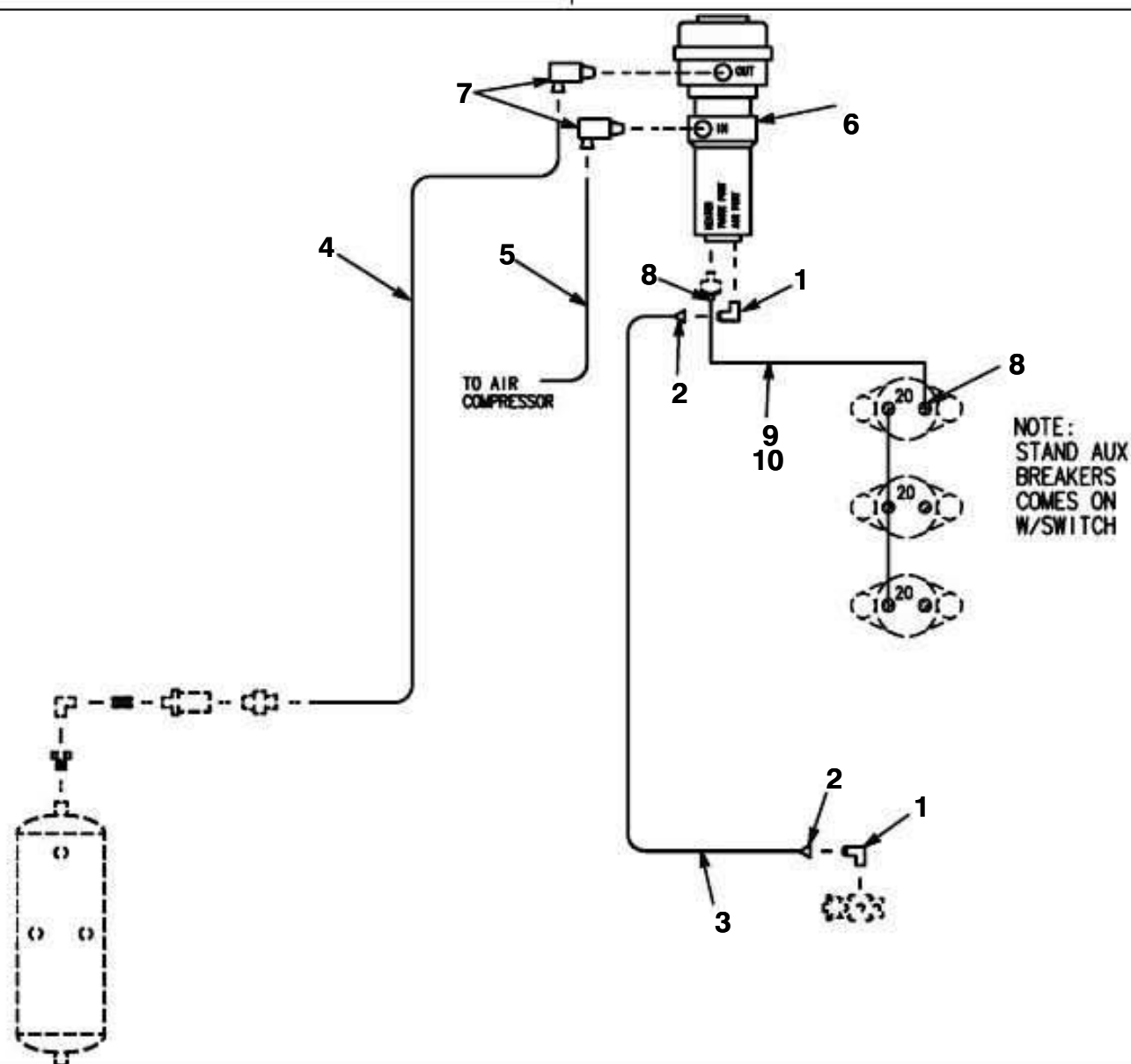
MODEL OR SERIES	COMPONENT OR ASSEMBLY NUMBER
TE-800L, TE-900S, TE-925S, TEC-920L, TEC-950L & TECP-950L	

ITEM	PART NUMBER	DESCRIPTION	QTY.
62	1666	ADAPTER, 3/8" x 3/4", 90°	1
63	<del>2945-020</del>	<del>CONDUIT, 1/4"</del>	<del>1</del>
64	2315-024	VALVE, Horn	1
65	3374-710	DECAL, Horn	1
66	2243-911	FITTING, Tube, 1/4" x 1/4", St.	1
67	7118	COUPLING, 1/8"	3
68	I-0-28-4341	BRACKET, Horn Spacer	1
69	2315-022	HORN, Air	1
70	2836-100	HOSE, Air, 1/2" (Specify Length)	AR
71	2945-018	HOSE, Air, 3/4" (Specify Length)	AR
72	1567	BUSHING, 1/2" x 3/8"	2
73	2244-051	CAP, Dust	1
74	2243-293	DRAIN, Manual	1
75	2243-294	SPRING, Brake	1
76	2243-292	CLEVIS	1
77	2243-505	GASKET, Governor	1
78	2240-011	CHAMBER, Brake	1
79	3947-111	DIAPHRAGM	1
80	3947-112	CLAMP ASSEMBLY	1
81	2378-205	FILTER, Coalescing	1
NI	4026-101	ELEMENT, Filter	1
NI	5593-579	O-RING	1
NI	5593-580	BOWL AND GUARD	1
82	1520-020	NIPPLE, 1/4"	2
83	I-1-30-0013	COUPLING BRACKET ASSEMBLY	1
84	2243-426	VALVE, Solenoid	1
85	2243-973	BREATHER, 1/8"	1
86	1574	BUSHING, 1/4" x 1/8"	5
87	2749-014	VALVE, Shuttle	1
88	1665-101	NIPPLE, 1/8"	1
89	2243-245	STRAPS, Air Tank	4


Brake Control System  
**15A-2082**  
 Air Dryer Circuit

# Taylor

MODEL OR SERIES	COMPONENT OR ASSEMBLY NUMBER
TE-800L, TE-900S, TE-925S, TEC-920L, TEC-950L & TETC-1100	

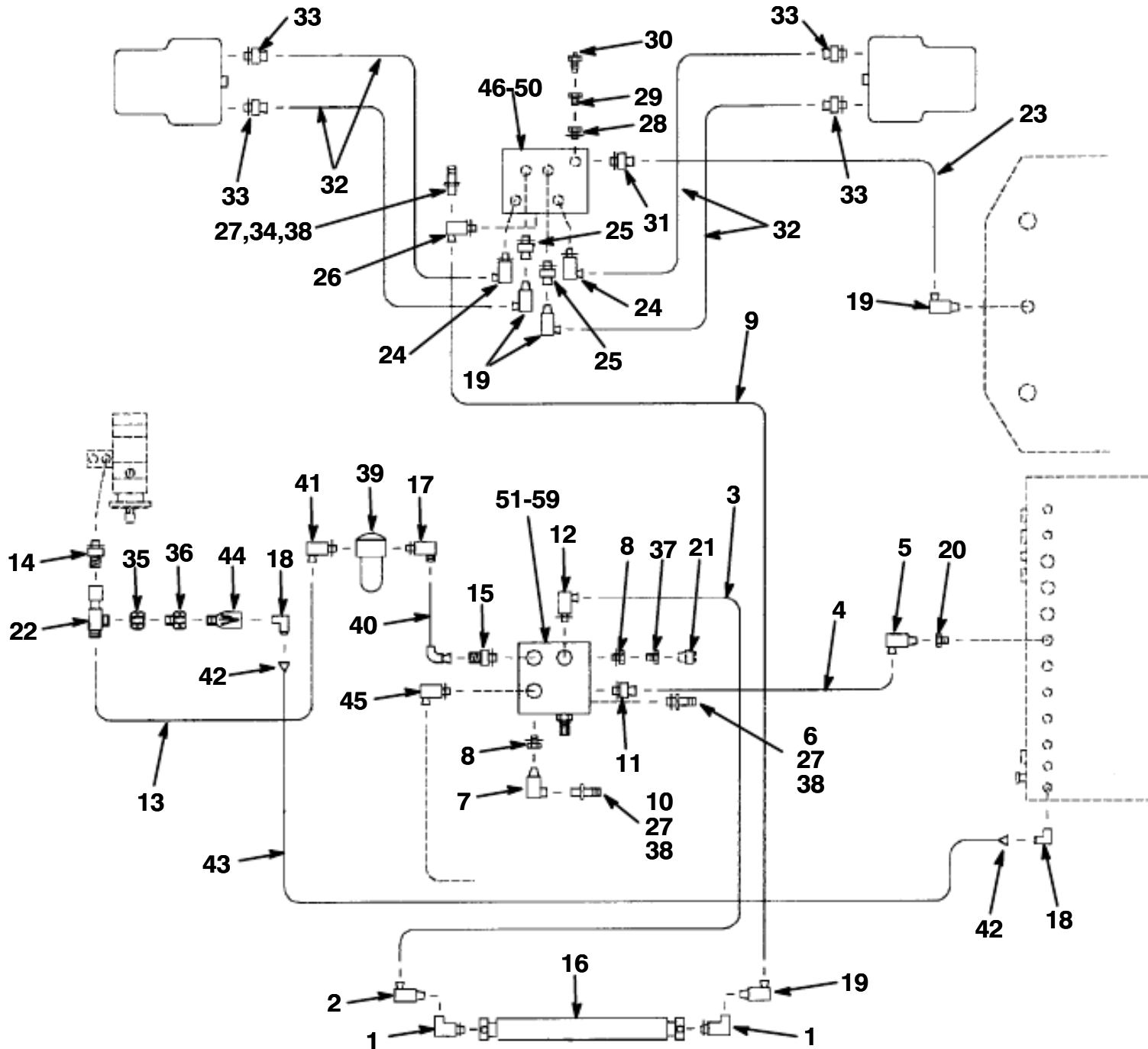


ITEM	PART NUMBER	DESCRIPTION	QTY.
1	2243-730	FITTING, 1/8" x 7/16", 90°	2
2	2947-250	FITTING, 1/4" x 7/16", Push-on	2
3	2836	HOSE, Air, 1/4" x 90°	AR
4	I-1-33-0065	HOSE ASSEMBLY, Teflon, 1/2" x 220"	1
5	I-1-33-0041	HOSE ASSEMBLY, Teflon, 1/2" x 115-1/2"	1
6	2243-291	DRYER, Air	1
NI	5565-364	CHECK VALVE REPAIR KIT	1
NI	5565-363	BULK RECHARGE KIT	1
NI	5565-362	PURGE VALVE REPAIR KIT	1
NI	5565-361	RECHARGE CANISTER KIT	1
7	2955	ADAPTER, 3/4" x 1/2", 90°	2
8	2324-340	TERMINAL, Blue Ring	2
9	2307-026	WIRE, 14 Ga., Black w/Stripe	AR
10	1730-001	LOOM, Wire, 3/16"	AR
NI	I-0-01-5992	MOUNT, Air Dryer	1


Brake Control System  
**15A-2098**  
 Brake Cooling Circuit

# Taylor

MODEL OR SERIES	COMPONENT OR ASSEMBLY NUMBER
TEC-920L & TEC-950L	



ITEM	PART NUMBER	DESCRIPTION	QTY.
1	2947-745	FITTING, 1-1/16" x 3/4"	2
2	2955	ADAPTER, 3/4" x 1/2", 90°	1
3	I-1-32-0061	HOSE ASSEMBLY, 1/2" x 162-1/2"	1
4	I-1-32-0053	HOSE ASSEMBLY, 1/2" x 114-1/2"	1
5	2950	ADAPTER, 1/2", 90°	1
6	2244-067	DISCONNECT, Quick, 9/16"	1
7	2947-308	FITTING, 1/4", 90°	1
8	2948-050	BUSHING, 9/16" x 1/4"	2
9	I-1-32-1935	HOSE ASSEMBLY, 3/4" x 249"	1
10	2244-050	CHECK, Quick, 1/4"	1
11	2995	ADAPTER, 3/4" x 1/2", St.	1
12	2951	ADAPTER, 3/4" x 1/2", 90°	1
13	I-1-32-1950	HOSE ASSEMBLY, 1/2" x 34"	1
14	2954-002	ADAPTER, 1-5/16" x 12/16", St.	1

14	2954-002	ADAPTER, 1-5/16" x 13/16", St.	1
15	2954	ADAPTER, 3/4" x 13/16", 90°	1
16	2568-019	COOLER, Brake	1

Revised 2/15/00

Brake Control System  
**15A-2098A**  
 Brake Cooling Circuit

# Taylor

MODEL OR SERIES	COMPONENT OR ASSEMBLY NUMBER
TEC-920L & TEC-950L	

ITEM	PART NUMBER	DESCRIPTION	QTY.
17	2954-032	ADAPTER, 1-1/16" x 13/16", 90°	1
18	2243-740	FITTING, 1/4" x 7/16", 90°	2
19	2958	ADAPTER, 3/4", 90°	4
20	1573	BUSHING, 1/2" x 1"	1
21	2316-920	SWITCH, Pressure	1
22	2954-086	TEE, 13/16"	1
23	I-1-32-0760	HOSE ASSEMBLY, 3/4" x 85"	1
24	2951-100	ADAPTER, 1-1/16" x 3/4", 90°	2
25	2996	ADAPTER, 1-1/16" x 3/4", St.	2
26	I-0-30-0130	ADAPTER, 1/8"	1
27	2244-049	DISCONNECT, Female	3
28	2948-031	BUSHING, 1-5/16" x 3/4"	1
29	1556	BUSHING, 3/4" x 1/2"	1
30	2734-212	SWITCH, Temperature, 245°	1
31	3013-024	ADAPTER, 1-5/16" x 3/4", St.	1
32	I-1-32-0416	HOSE ASSEMBLY, 3/4" x 68"	4
33	3013-021	ADAPTER, 7/8" x 3/4", St.	4
34	2244-054	DISCONNECT, Quick, 1/8"	1
35	I-0-30-0155	CAP	1
36	2948-036	REDUCER, 1/8" x 1/4"	1
37	1574	BUSHING, 1/4" x 1/8"	1
38	2244-051	CAP, Dust	3
39	2404-342	FILTER	1
NI	4044-471	ELEMENT, Filter	1
40	I-1-32-2431	HOSE ASSEMBLY, 1/2" x 25"	1
41	3013-050	ADAPTER, 1-1/16" x 1/2", 90°	1
42	2947-250	FITTING, Female, 1/4" x 7/16"	2
43	2836	HOSE, 1/4"	AR
44	2797-156	FUSE, Line Hydraulic	1
45	3013-077	ADAPTER, 3/4" x 3/8", 90°	1
46	2243-519	VALVE, Brake Cooling	1
47	4068-896	CARTRIDGE, Valve	1
48	4068-897	KIT, Seal	1
49	4068-898	DIVIDER, Flow	1
50	4068-899	KIT, Seal	1
51	2243-591	MANIFOLD, Control	1
52	4068-823	CARTRIDGE, 400 psi	1
53	4068-827	KIT, Seal	1
54	4068-824	CARTRIDGE, 325 psi	1
55	4068-828	KIT, Seal	1
56	4068-825	CARTRIDGE, 175 psi	1
57	4068-828	KIT, Seal	1
58	4068-826	VALVE, Relief	1
59	4068-829	KIT, Seal	1
NI	I-0-01-5668	MOUNT, Filter	1





<u>Functional Group</u>	<u>Section</u>
Steering Control System .....	16

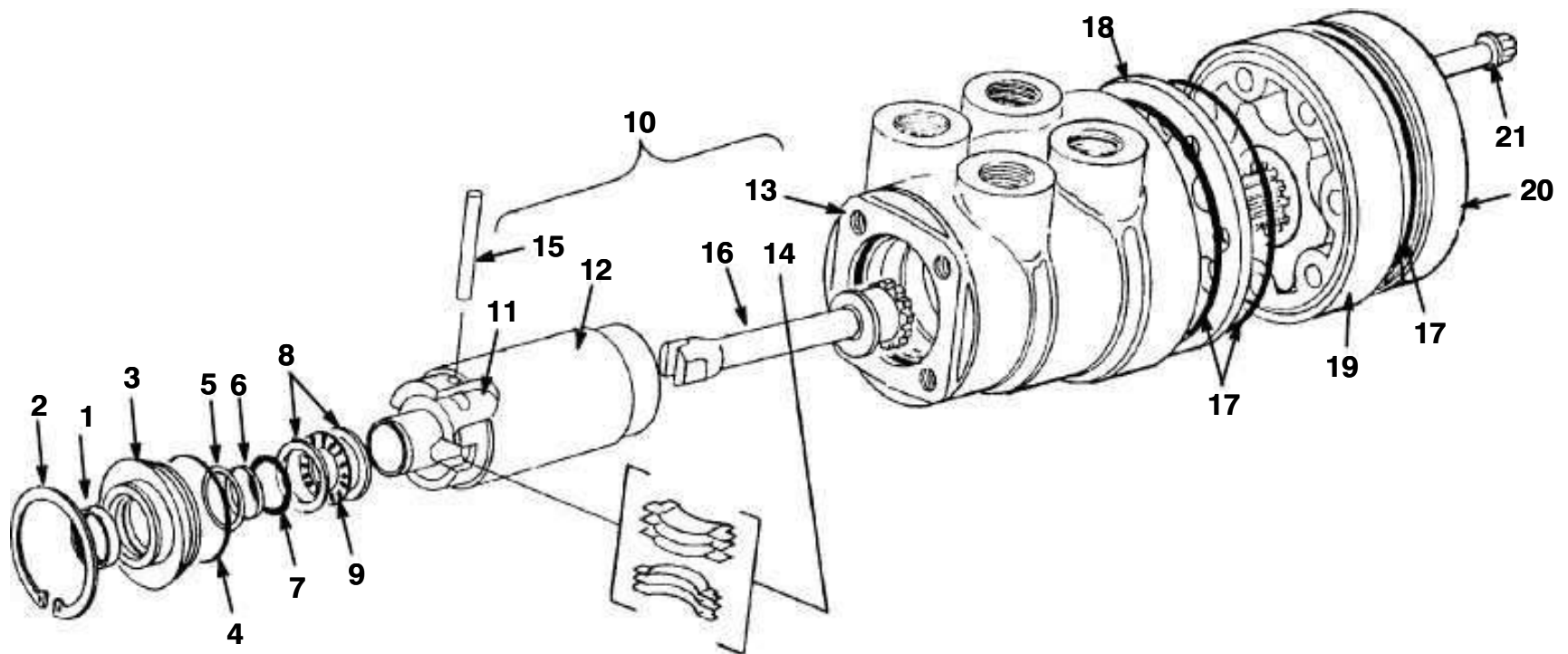
## Steering Control System ██████████



Steering Control System  
**16-215**  
 Steering Valve Assembly

# Taylor

MODEL OR SERIES	COMPONENT OR ASSEMBLY NUMBER
See P. S. O.	2537-019 2537-022 2537-021 2537-023



ITEM	PART NUMBER	DESCRIPTION	QTY.
	2537-019	STEERING VALVE ASSEMBLY, Complete	
	2537-021	STEERING VALVE ASSEMBLY, Complete	
	2537-022	STEERING VALVE ASSEMBLY, Complete	
	2537-023	STEERING VALVE ASSEMBLY, Complete	
1	4068-200*	SEAL, Dust	1
2	4068-889*	RING, Retaining	1
3	4068-888	RETAINER, Front	1
4	*	SEAL, O-Ring	1
5	*	RING, Backup	1
6	*	SEAL	1
7	*	SEAL, O-Ring	1
8	4068-887	RACE, Bearing	2
9	4068-886	BEARING, Thrust Needle	1
10	4068-891	CONTROL PARTS ASSEMBLY	1
11	N.S.S.	SPOOL, Control	1
12	N.S.S.	SLEEVE, Control	1
13	N.S.S.	HOUSING	1
14	4068-892	SPRING KIT, Centering (For 2537-021, 2537-022, & 2537-023)	6
14A	4068-353	SPRING KIT, Centering (For 2537-019)	6
15	4068-885	PIN	1
16	4068-884	DRIVE	1
17	*	SEAL, O-Ring	3
18	4068-883	PLATE, Wear	1
19	4068-181	GEROTOR (For 2537-021)	1
19A	4068-890	GEROTOR (For 2537-022)	1
19B	4068-874	GEROTOR (For 2537-023)	1
19C	4068-355	GEROTOR (For 2537-019)	1

20	4068-882	CAP, End	1
21	S.O.	SCREW, Cap	7
*	4068-881	SEAL KIT	

Revised 9/17/99

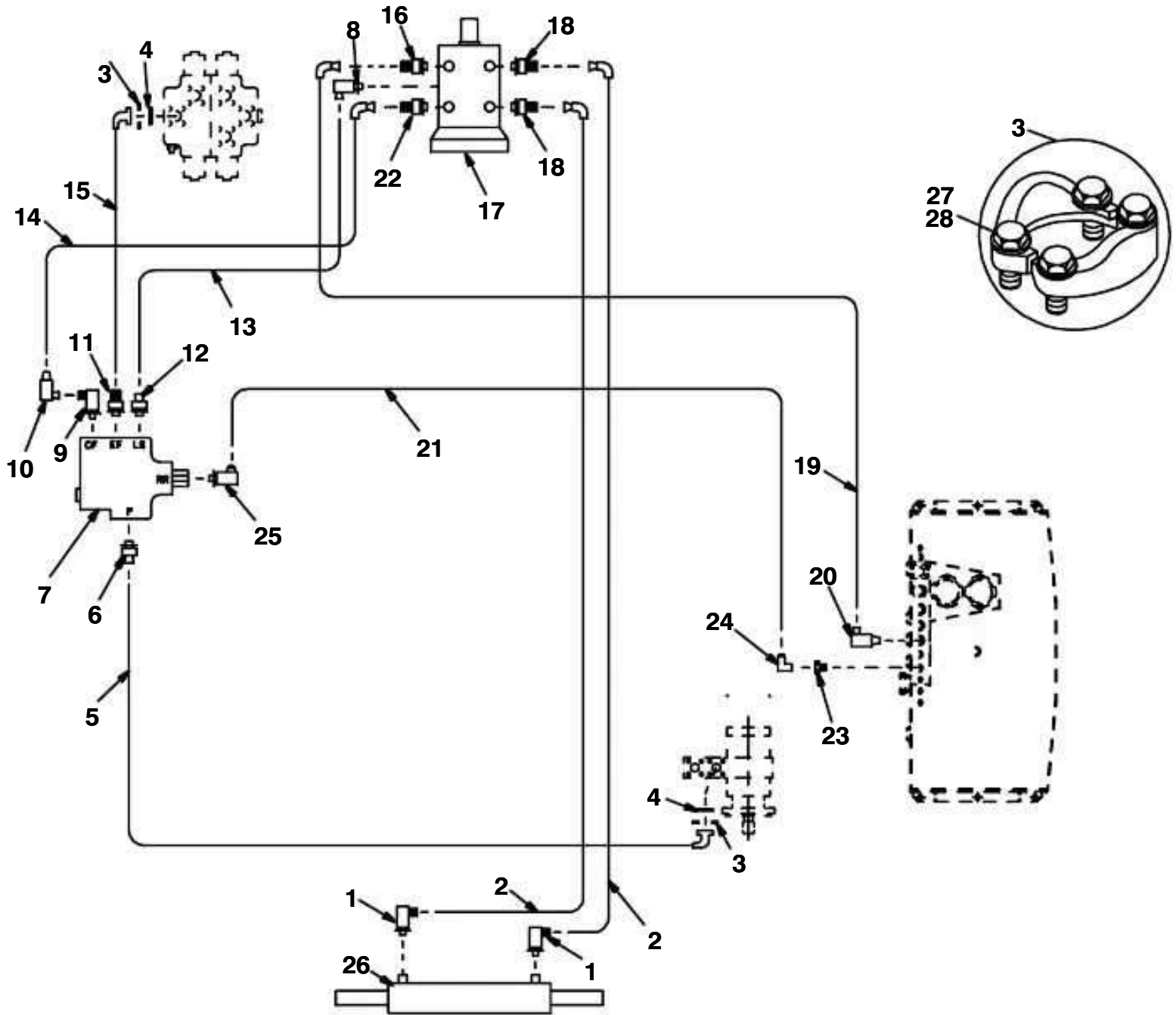



Revised 3/5/03

Steering Control System  
**16-2154**  
 Steering Circuit

# Taylor

MODEL OR SERIES	COMPONENT OR ASSEMBLY NUMBER
TEC-920L, TEC-950L & TEFC-950L	



ITEM	PART NUMBER	DESCRIPTION	QTY.
1	2954-032	ADAPTER, 1-1/16" x 13/16", 90°	2
2	I-1-32-2100	HOSE ASSEMBLY, 1/2" x 237"	2
3	3016-250	CLAMP, Split Flange, 1-1/4"	4
4	3016-050	O-RING, 1-1/4"	2
5	I-1-32-1922	HOSE ASSEMBLY, 1-1/4" x 58"	1
6	2951-112	ADAPTER, 1-5/8" x 1-1/4" St.	1
7	2536-299	VALVE, Sensing	1
8	3013-075	ADAPTER, 7/16" x 1/4", 90°	1
9	3013-031	ADAPTER, 1-1/16" x 1-3/16", 90°	1
10	2954-011	ADAPTER, 1-3/16" x 1-3/16", 90°	1
11	2954-005	ADAPTER, 1-5/8" x 1-7/16" St.	1
12	3013-012	ADAPTER, <a href="https://www.forkliftpdfmanuals.com/">https://www.forkliftpdfmanuals.com/</a>	1
13	I-1-32-2110	HOSE ASSEMBLY, 1/4" x 107"	1







<u>Functional Group</u>	<u>Section</u>
Wheel Equipment .....	17
Frame .....	18
Body (Hull) .....	19
Cab/Canopy .....	20
Seat and Suspension .....	21

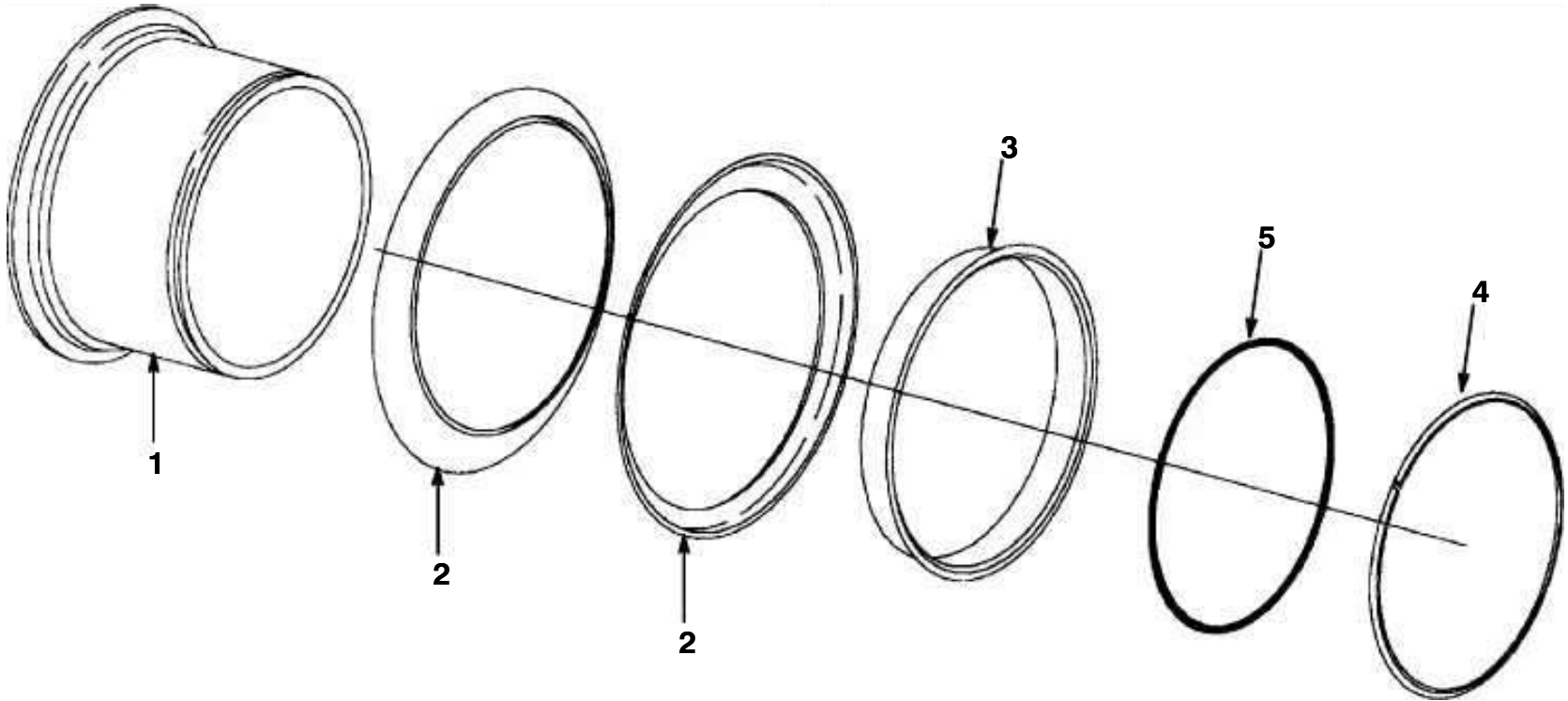
**Chassis** ██████████



Chassis  
**17-109**  
 Wheel Equipment

# Taylor

MODEL OR SERIES	COMPONENT OR ASSEMBLY NUMBER				
See P. S. O.	2657-001	2659-026	2659-073	I-1-05-0085	I-1-05-0165
	2657-002	2559-071	2659-080	I-1-05-0097	I-1-05-0180
		2659-072	I-0-05-0156	I-1-05-0152	I-1-05-0183



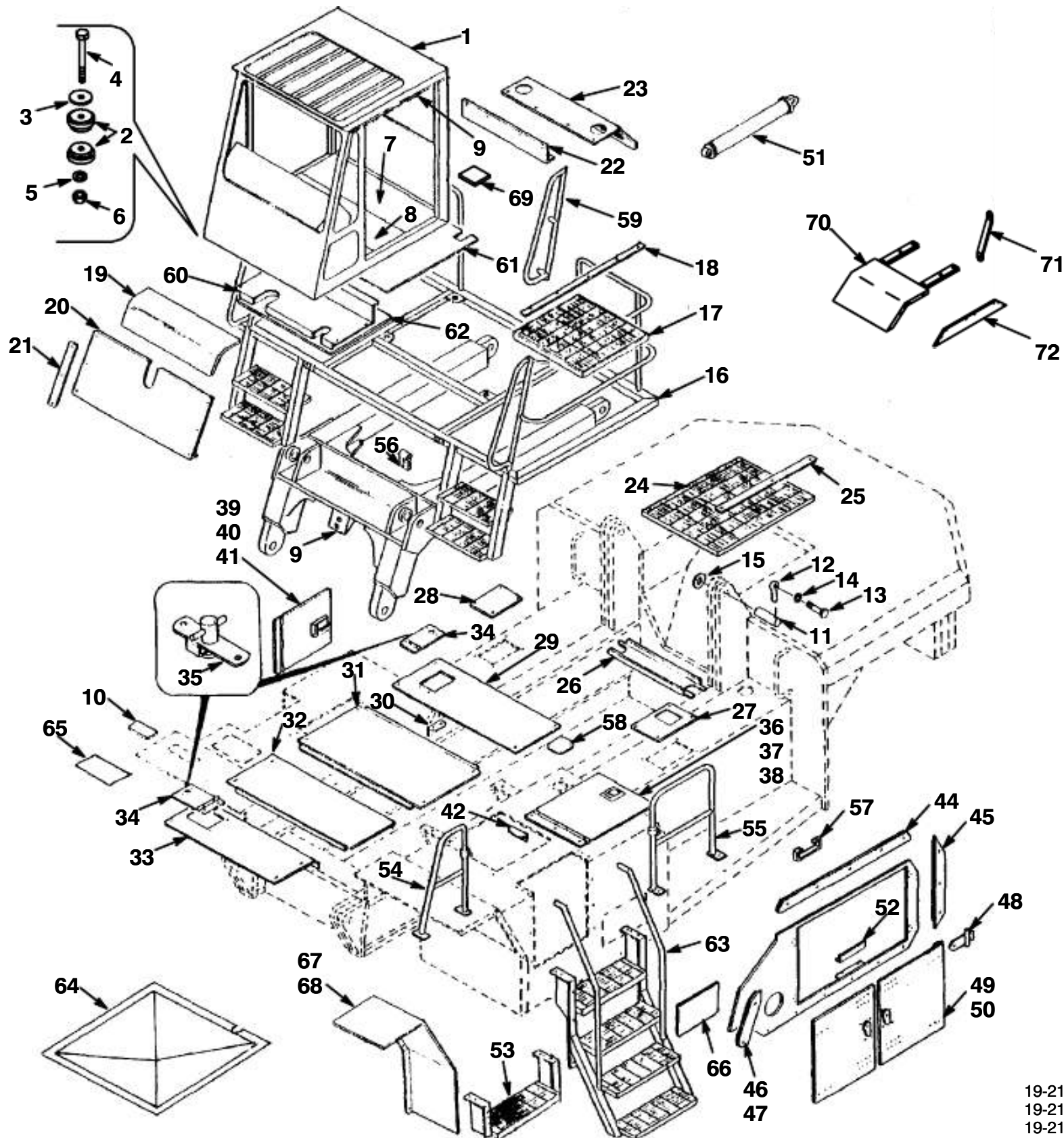
ITEM	PART NUMBER	DESCRIPTION	QTY.
	2657-001	RIM ASSEMBLY	
	I-0-05-0156	RIM ASSEMBLY	
	I-1-05-0085	RIM ASSEMBLY	
	I-1-05-0097	RIM ASSEMBLY	
	I-1-05-0165	RIM ASSEMBLY	
1	NSS	RIM	1
2	3800-005	FLANGE	2
3	3800-111	SEAT, Bead	1
4	3800-155	RING, Lock	1
5	3800-338	O-RING	1
	2657-002	RIM ASSEMBLY	
1	NSS	RIM	1
2	3800-001	FLANGE	2
3	3800-111	SEAT, Bead	1
4	3800-155	RING, Lock	1
5	3800-338	O-RING	1
	2659-026	RIM ASSEMBLY	
1	NSS	RIM	1
2	3800-343	FLANGE	2
3	3800-106	SEAT, Bead	1
4	3800-155	RING, Lock	1
5	3800-338	O-RING	1
	2659-071	RIM ASSEMBLY	
	I-1-05-0152	RIM ASSEMBLY	
	I-1-05-0180	RIM ASSEMBLY	
1	NSS	RIM	1
2	3800-343	FLANGE	2
3	3800-110	SEAT, Bead	1



Chassis  
19-037  
Body Hull

# Taylor

MODEL OR SERIES	COMPONENT OR ASSEMBLY NUMBER
TE-800L, TE-900S, TE-925S, TEC-920L, TEC-950L, TECP-950L & TEFC-950L	



19-2143  
19-2157  
19-2163

ITEM	PART NUMBER	DESCRIPTION	QTY.
1	I-1-28-1233	OPERATOR BASE ASSEMBLY	1
2	3255-136	MOUNT, Rubber	8
3	I-0-23-5477	WASHER, Snubbing	4
4	1185-001	BOLT, 3/4" - 10 NC x 4-1/4"	4
5	1432-500	FLATWASHER 3/4" Hard	7

5	1402	LOCKWASHER, 3/4" Hard	7
6	1360	NUT, Lock, 3/4" NC	4
7	I-1-28-1241	PLATE, Rear Floorboard	1
8	I-0-28-4344	PLATE, Floorboard	1

Revised 5/12/08

Chassis  
**19-037A**  
 Body Hull

# Taylor

MODEL OR SERIES	COMPONENT OR ASSEMBLY NUMBER
TE-800L, TE-900S, TE-925S, TEC-920L, TEC-950L, TECP-950L & TEFC-950L	

ITEM	PART NUMBER	DESCRIPTION	QTY.
8A	I-0-28-6366	PLATE, Floorboard (With 2-1/2" Holes)	1
<del>9</del>	<del>I-1-03-0054</del>	<del>A-FRAME ASSEMBLY</del>	<del>1</del>
10	I-0-28-4538	COVER, Junction Box	1
11	I-0-90-2078	PIN, A-Frame	4
12	I-0-99-0035	LOCK, Pin	4
13	1183-001	BOLT, 3/4" - 10 NC x 1-3/4"	4
14	1402	LOCKWASHER, 3/4"	4
15	1749-227	SHIM	AR
16	I-1-28-1195	PLATFORM ASSEMBLY (For Tilt Platform Only)	1
17	I-0-28-4313	GRATING, Platform	4
18	I-0-28-4314	CLAMP, Grating	4
19	I-0-03-0410	PLATE, A-Frame Cover	1
20	I-0-01-5177	FIREWALL	1
21	I-1-01-1559	CLAMP ASSEMBLY	2
22	I-1-01-1560	PLATE, Cover	1
23	I-1-23-3011	REAR GRILL ASSEMBLY	1
24	I-0-01-5186	GRILL, Spacer	1
25	I-0-01-5189	BAR, Hold Down	2
26	I-0-23-6023	BAFFLE, Bottom	1
27	I-1-01-2001	PLATE, Fuel Tank Cover	AR
28	I-0-01-5141	PLATE, Cover	1
29	I-0-01-1555	FLOORBOARD, Rear (For TC-34 Transmission)	1
29A	I-0-01-5615	FLOORBOARD, Rear (For TC-53 Transmission)	1
30	I-1-01-1561	MOUNTING ASSEMBLY	2
31	I-1-01-1529	FLOORBOARD, Middle (For TC-34 Transmission)	1
31A	I-1-01-1665	FLOORBOARD, Middle (For TC-53 Transmission)	1
32	I-1-01-1568	FLOORBOARD, Front	1
33	I-1-01-1530	COVER, Front Fender	1
34	I-1-22-0504	DOOR ASSEMBLY	2
35	I-0-01-2617	LATCH, Door	2
36	I-1-01-1556	DOOR ASSEMBLY, Access	2
37	2404-194	LATCH, Paddle	1
38	3357-018	RIVET	4
39	I-1-01-1527	DOOR ASSEMBLY, Filter Access	1
40	2404-194	LATCH, Paddle	1
41	3357-018	RIVET	4
42	I-0-22-1368	CATCH, Door	3
43	I-1-01-1576	PANEL ASSEMBLY, R.H.	1
43A	I-1-01-1577	PANEL ASSEMBLY, L.H.	1
44	I-1-01-1567	TOP CLAMP ASSEMBLY	2
45	I-1-01-1562	REAR CLAMP ASSEMBLY	2
46	I-1-01-1563	FRONT CLAMP ASSEMBLY, L.H.	1
47	I-1-01-1564	FRONT CLAMP ASSEMBLY, R.H.	1
48	2404-431	HINGE	8
49	I-1-01-1675	DOOR ASSEMBLY, Engine Access	4
50	2404-197	LATCH, Paddle	1
51	I-1-03-0062	CATCH ASSEMBLY	1
52	I-0-01-5131	STRIKER, Door	4



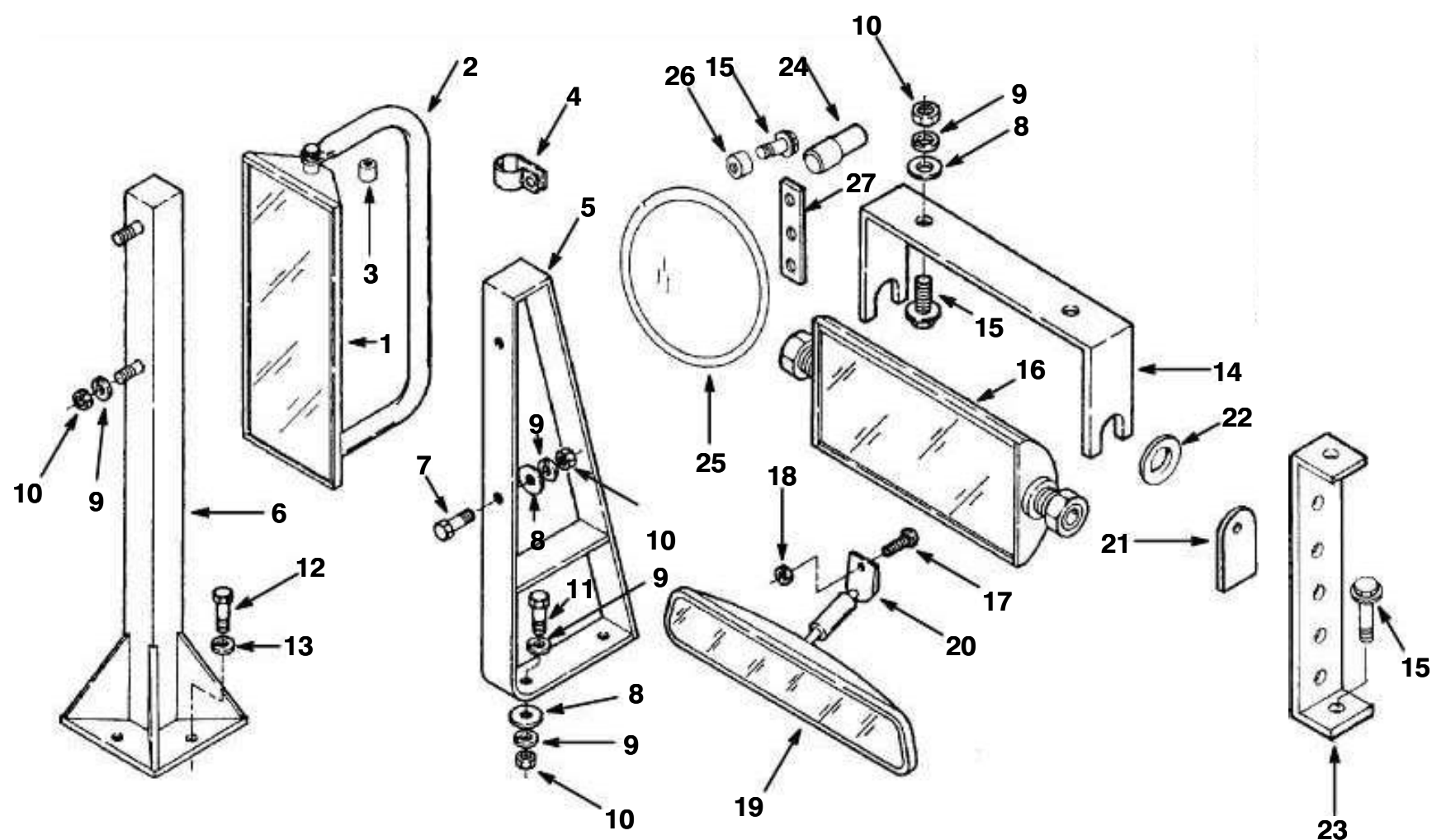

Revised 5/12/08



Chassis  
19-050  
Mirrors

# Taylor

MODEL OR SERIES	COMPONENT OR ASSEMBLY NUMBER
ALL MODELS	



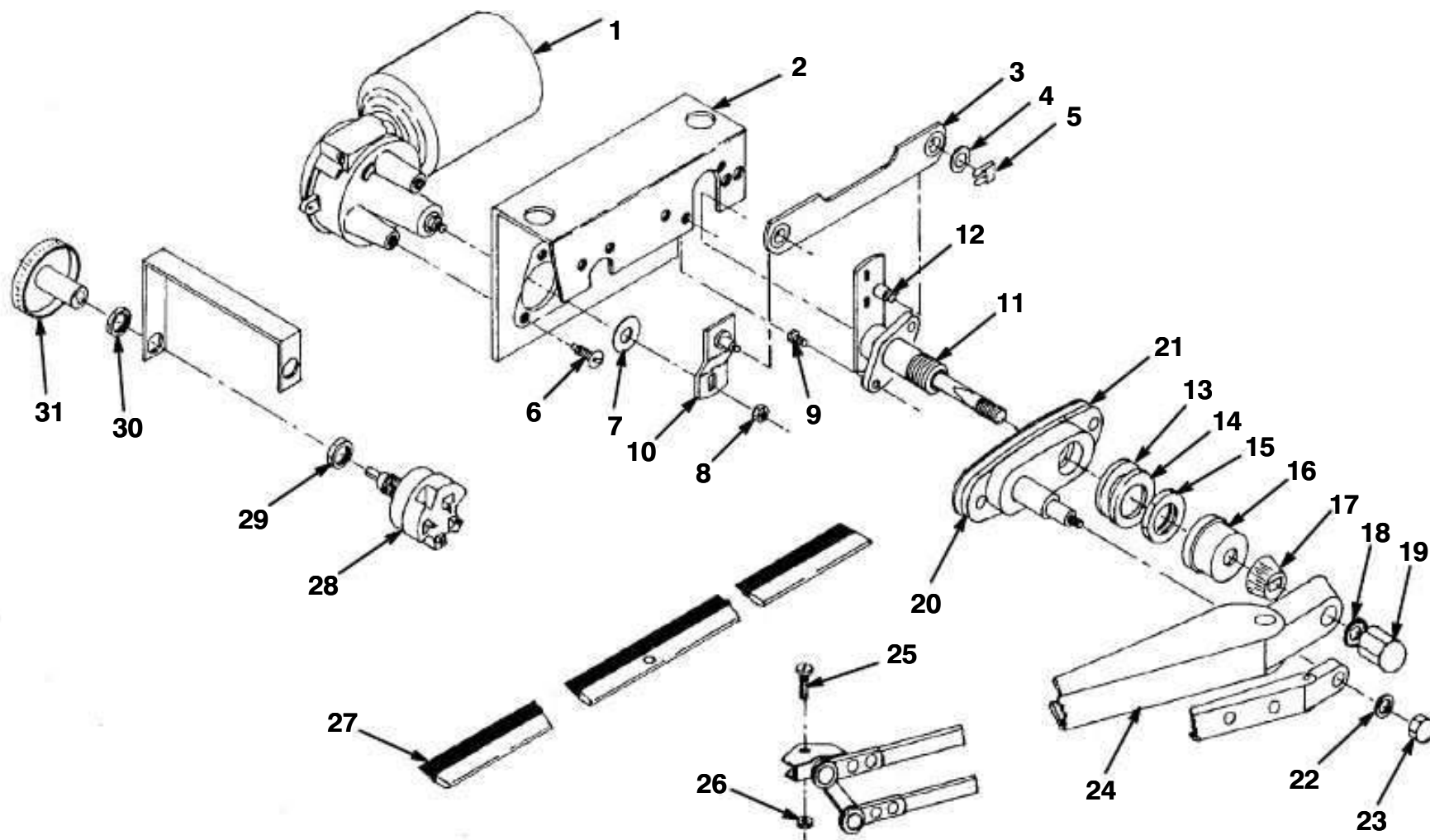
ITEM	PART NUMBER	DESCRIPTION	QTY.
1	2319-902	HEAD, Mirror (Used on WS, WOF, TY-160 thru TY-1100, TE-160 thru TE-360, TE-800L, TE-900S, TE-925S & TEC-920L thru TEC-950L)	AR
2	2319-903	YOKE, Swing-away	AR
3	2319-905	SPACER	2
4	2319-904	CLAMP, Universal	AR
5	I-1-01-1174	MOUNT, Mirror (Used on WOF, TY-160 thru TY-300, & TE-160 thru TE-360)	AR
6	I-1-28-0636	MOUNT, Mirror (Used on TY-360 thru TY-1100)	1
7	1123	BOLT, 3/8" - 16 NC x 1-1/4"	AR
8	1420	FLATWASHER, 3/8"	AR
9	1384	LOCKWASHER, 3/8"	AR
10	1315	NUT, 3/8" - 16 NC	AR
11	1126-005	BOLT, 3/8" - 16 NC x 1-1/2"	AR
12	1141-010	BOLT, 7/16" x 1-1/2"	4
13	1390	LOCKWASHER, 7/16"	4
14	I-0-28-2786	BRACKET, Rear View Mirror (Used w/2319-901 Inside Cab Mirror Head TY-100 thru TY-150, TYE-160 thru TYE-300 & TY-360 thru TY-1100)	1
14A	I-0-28-2904	BRACKET, Rear View Mirror (Used Inside Cab on TC-200 thru TC-300 w/2319-902 Mirror Head)	1
14B	I-0-23-4758	BRACKET, Rear View Mirror (Used w/2319-901 Inside Cab Mirror Head on TC-200 thru TC-300, TE-115S thru TE-155S, TE-160 thru TE-360, TE-360S thru TE-520M, TE-800L, TE-900S, TE-925S & TEC-920L thru TEC-950L)	



Chassis  
**20-005**  
 Windshield Wiper Assembly

# Taylor

MODEL OR SERIES	COMPONENT OR ASSEMBLY NUMBER
See P.S.O.	3249-200 3249-271



ITEM	PART NUMBER	DESCRIPTION	QTY.
	3249-200*	MOTOR, Wiper	
	3249-271	MOTOR, Wiper	
1	NSS	MOTOR	1
2	I-0-28-5003	BRACKET, Mounting	1
3	3249-233	LINK, Connecting	1
4	3249-234	WASHER	2
5	3249-235	CLIP, Spring	2
6	3249-232	SCREW, Motor Fastening	3
7	3249-234	WASHER, Spring	1
8	NSS	NUT, Hex	1
9	NSS	SCREW	2
10	3249-273	DRIVE ARM, 93° - 127° (For 3249-200)	1
10A	3249-287	DRIVE ARM, 68° - 85° - 108° (For 3249-200)	1
10B	3249-273	DRIVE ARM, 93° - 127° (For 3249-271)	1
10C	3249-272	DRIVE ARM, 68° - 85° - 108° (For 3249-271)	1
10D	3249-246	DRIVE ARM, 80° (For 3249-271)	1
	3249-250	WIPER ARM SHAFT ASSEMBLY, 1" (For 3249-200)	1
	3249-259	WIPER ARM SHAFT ASSEMBLY, 2" (For 3249-200)	1
	3249-260	WIPER ARM SHAFT ASSEMBLY, 3" (For 3249-200)	1

3249-710	WIPER ARM SHAFT ASSEMBLY, 1" (For 3249-271)	1
3249-711	WIPER ARM SHAFT ASSEMBLY, 2" (For 3249-271)	1
3249-712	WIPER ARM SHAFT ASSEMBLY, 3" (For 3249-271)	1

Revised 9/3/98

Chassis  
**20-005A**  
Windshield Wiper Assembly

# Taylor

MODEL OR SERIES	COMPONENT OR ASSEMBLY NUMBER
See P. S. O.	3249-200 3249-271

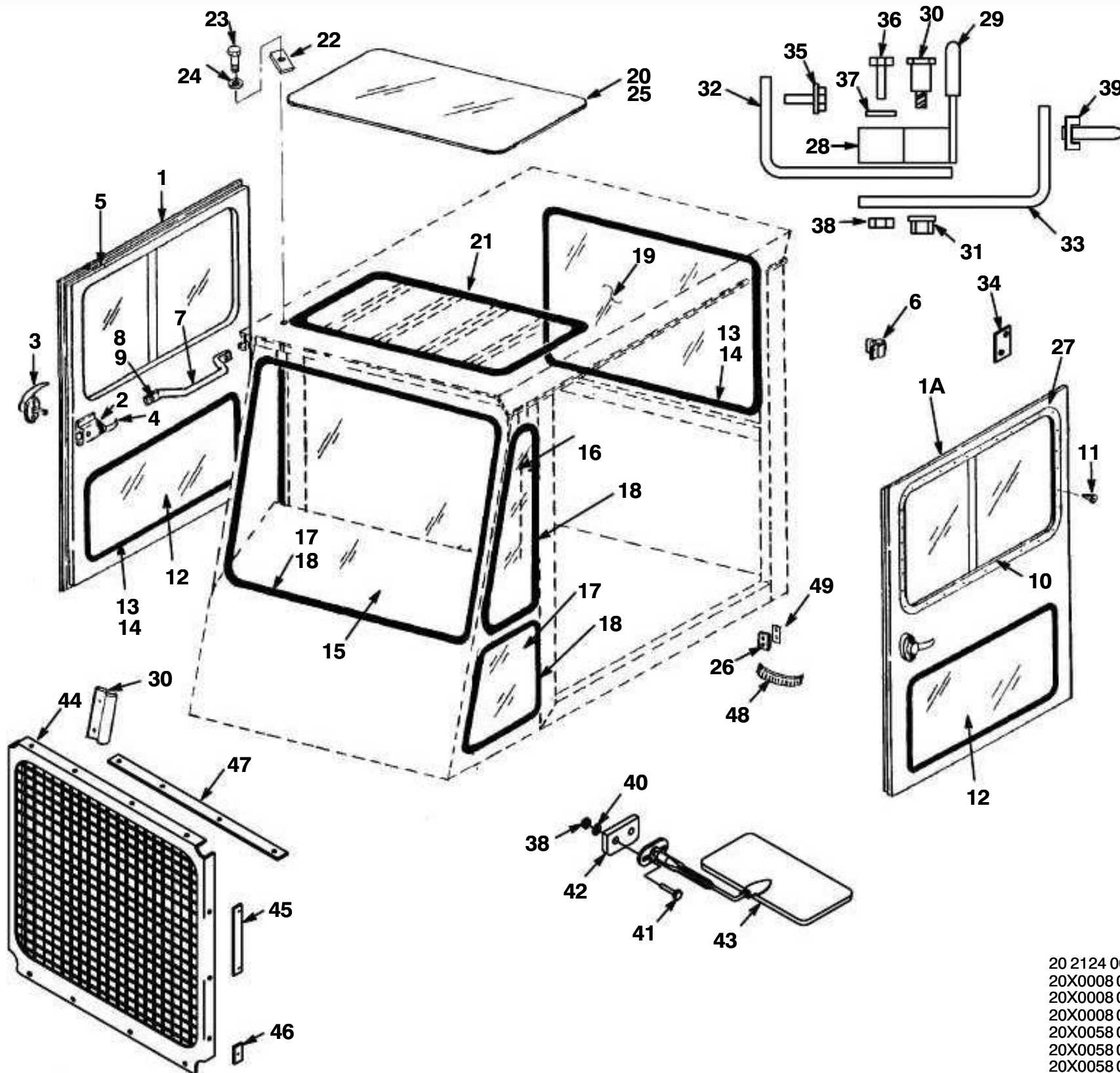
ITEM	PART NUMBER	DESCRIPTION	QTY.
11	NSS	ARM, Shaft	1
12	NSS	PIN	1
13	NSS	WASHER, Leather	1
14	NSS	WASHER, Steel	1
15	NSS	NUT, Hex	1
16	NSS	SHIELD, Rubber	1
17	5595-765	COLLAR, Splined Drive	1
18	NSS	LOCKWASHER	1
19	NSS	NUT, Cap	1
	3249-240	ARM MOUNTING KIT (For 3249-200)	1
	3249-704	ARM MOUNTING KIT (For 3249-271)	1
20	NSS	MOUNT, Arm	1
21	NSS	GASKET	1
22	NSS	WASHER	1
23	NSS	NUT, Acorn	1
	3249-288	WIPER ARM ASSEMBLY, 16" (For 3249-200)	1
	3249-230	WIPER ARM ASSEMBLY, 20" (For 3249-200)	1
	3249-282	WIPER ARM ASSEMBLY, 22" (For 3249-200)	1
	3249-280	WIPER ARM ASSEMBLY, 24" (For 3249-200)	1
	3249-703	WIPER ARM ASSEMBLY, 16" (For 3249-271)	1
	3249-702	WIPER ARM ASSEMBLY, 20" (For 3249-271)	1
	3249-701	WIPER ARM ASSEMBLY, 22" (For 3249-271)	1
	3249-700	WIPER ARM ASSEMBLY, 24" (For 3249-271)	1
	3249-274	WIPER ARM ASSEMBLY, 28" (For 3249-271)	1
24	NSS	ARM, Wiper	1
25	NSS	BOLT	1
26	NSS	NUT	1
27	3249-031	BLADE, 14" (For 3249-200)	1
27A	3249-349	BLADE, 16" (For 3249-200)	1
27B	3249-220	BLADE, 20" (For 3249-200)	1
27C	3249-281	BLADE, 22" (For 3249-200)	1
27D	3249-709	BLADE, 14" (For 3249-271)	1
27E	3249-708	BLADE, 16" (For 3249-271)	1
27F	3249-707	BLADE, 20" (For 3249-271)	1
27G	3249-706	BLADE, 22" (For 3249-271)	1
27H	3249-705	BLADE, 24" (For 3249-271)	1
28	3249-210	SWITCH	1
29	NSS	NUT, Thin	1
30	NSS	NUT	1
31	2550-051	KNOB	1
NI	1006-010	BOLT, 1/4" - 28 NF x 3/4"	2
NI	1006-007	BOLT, 1/4" - 28 NF x 2-1/4"	2
NI	1006-006	BOLT, 1/4" - 28 NF x 2-3/4"	2
NI	1110-900	BOLT, 1/4" - 28 NF x 1/2"	2
NI	1378	LOCKWASHER, 1/4"	2

\*Note: 3249-200 Wiper Motor has been discontinued, but, attaching parts can still be purchased.

Chassis  
20-226  
Cab Assembly

# Taylor

MODEL OR SERIES	COMPONENT OR ASSEMBLY NUMBER
TEC-150H & TEC-155H; TEC-920L thru TEC-955L; TE-360S thru 925S; TE-1100L thru TETC-1100; TE-1000	



20 2124 000  
20X0008 000  
20X0008 001  
20X0008 002  
20X0058 000  
20X0058 001  
20X0058 002

ITEM	PART NUMBER	DESCRIPTION	QTY.
	I-1-28-2502	DOOR ASSEMBLY, R.H.	1
	I-1-28-2503	DOOR ASSEMBLY, L.H.	1
	I-1-28-2504	DOOR ASSEMBLY, R.H. (XIR)	1
	I-1-28-2505	DOOR ASSEMBLY, L.H. (XIR)	1
1	I-1-28-1136	DOOR, R.H.	1
1A	I-1-28-1137	DOOR, L.H.	1

1A	I-1-28-1137	DOOR, L.H.	1
2	2404-171	LOCK, Slamming	1
2A	1225	BOLT, #10 - 24 NC x 1"	6
2B	1377	LOCKWASHER, 1/4"	6

Revised 1/6/10

Chassis  
**20-226A**  
Cab Assembly

# Taylor

MODEL OR SERIES	COMPONENT OR ASSEMBLY NUMBER
TEC-150H & TEC-155H; TEC-920L thru TEC-955L; TE-360S thru 925S; TE-1100L thru TETC-1100; TE-1000	

ITEM	PART NUMBER	DESCRIPTION	QTY.
3	3249-902	HANDLE, Locking	1
3A	5925-288	KEY	1
4	3250-030	HANDLE, Inside	1
5	3250-073	WEATHERSTRIP, Door	AR
6	5593-030	HINGE, Door	3
6A	5593-042	HINGE, Door, 180°	AR
6B	1265-205	SCREW, 5/16" NC	6
7	3250-277	HANDLE	1
8	1118	BOLT, 5/16" - 10 NC X 1"	2
9	1381	LOCKWASHER, 5/16"	2
10	3249-379	WINDOW ASSEMBLY, Door	1
11	1223-520	SCREW, Self-Tapping, 1/4" - 20 NC	AR
12	3249-871	GLASS, Door Bottom (XIR)	1
12A	3249-334	GLASS, Door Bottom (Tinted)	1
13	3250-192	WEATHERSTRIP	AR
14	3250-069	STRIP, Locking	AR
15	3249-323	GLASS, Cab Front	1
15A	3249-324	GLASS, Front Cab (Tinted)	1
15B	3249-452	GLASS, Front Cab (Clear, Tempered)	1
15C	3249-573	GLASS, Front Cab (Tinted)	1
16	3249-329	GLASS, Upper Side	2
16A	3249-330	GLASS, Upper Side (Tinted)	2
17	3249-331	GLASS, Lower Side	2
17A	3249-332	GLASS, Lower Side (Tinted)	2
18	3250-072	WEATHERSTRIP	AR
18A	3250-069	STRIP, Locking	AR
19	3249-325	GLASS, Cab Rear	1
19A	3249-326	GLASS, Rear Cab (Tinted)	1
20	3249-339	LEXAN, Top (Green)	1
20A	3249-340	LEXAN, Top (Bronze)	1
20B	3249-327	GLASS, Top (Clear)	1
20C	3249-381	GLASS, Top (Tinted)	1
20D	I-0-28-4903	COVER, Cab Top (Solid)	1
21	3249-155	CLEMENT, Glass Mounting	1
22	I-0-28-4282	TAB, Glass Hold Down	4
22A	I-1-28-1334	TAB, Glass Hold Down (For Solid Cover)	4
23	1114	BOLT, 5/16" - 18 NC x 3/4"	4
24	1417	FLATWASHER, 5/16"	4
25	3250-096	SEALANT, Silicon	AR
26	I-0-28-4254	SHIM, Striker Plate, 12 Ga.	AR
26A	I-0-28-4255	SHIM, Striker Plate, 14 Ga.	AR
26B	I-0-28-4256	SHIM, Striker Plate, 16 Ga.	AR
27	I-0-28-5124	RETAINER, Window	4
28	2404-456	LATCH, Right Side	1
28A	2404-457	LATCH, Left Side	1
29	3250-288	COVER, Trip Latch	2
30	2404-455	BOLT, Striker	2
31	1324-102	NUT	2

32	I-0-28-5421	BRACKET, Latch	2
33	I-0-28-5422	BRACKET, R.H. Striker Bolt (Used on TE-360S thru TE-650L)	1
33A	I-0-28-5423	BRACKET, L.H. Striker Bolt (Used on TE-360S thru TE-650L)	1

Revised 1/6/10

Chassis  
**20-226B**  
Cab Assembly

# Taylor

MODEL OR SERIES	COMPONENT OR ASSEMBLY NUMBER
TEC-150H & TEC-155H; TEC-920L thru TEC-955L; TE-360S thru 925S; TE-1100L thru TETC-1100; TE-1000	

ITEM	PART NUMBER	DESCRIPTION	QTY.
33B	I-0-28-5428	BRACKET, Striker Bolt (Used on TE-800S thru TETC-1100)	1
33C	I-0-28-5429	BRACKET, Striker Bolt (Used on TEC-150H & 155H; TECSP-150H & 155H and TECDS-150H)	1
34	I-0-28-5251	SHIM, Cab Door Hinge	1
34A	I-0-28-5252	SHIM, Cab Door Hinge	1
35	1111-007	BOLT w/WASHER, 1/4" - 20 NC x 3/4"	2
36	1111-011	BOLT, 1/4" - 20 NC 1-1/2"	2
37	1414	FLATWASHER, 1/4"	2
38	1309	NUT, 1/4" - 20 NC	3
39	2387-001	CLAMP, Exhaust, 1-1/4"	1
40	1378	LOCKWASHER, 1/4"	2
41	1111	BOLT, 1/4" - 20 NC x 1"	2
42	I-0-28-4382	MOUNT, Sun Visor	1
43	3260-776	VISOR, Sun	1
44	I-1-28-1698	GUARD, Windshield	1
45	I-1-28-1697	TAB, Side Mounting	2
46	I-1-28-0907	BRACKET, Guard Mounting	6
47	I-1-28-0905	BRACKET, Guard Mounting	1
48	5593-031	STRAP, Door Check	1
49	3249-140	PLATE, Striker	2
NI	I-0-28-4498	MAT, Front Floor	1
NI	I-0-28-4499	MAT, Rear Floor	1
NI	I-0-28-7997	MAT, Rear Floor (For TE-520S With Joystick Control)	1
NI	3249-731	INSULATION, Rear Panel	1
NI	2550-051	KNOB, Wiper Signal	1
NI	3249-074	FAN, Cab	AR


Revised 1/6/10



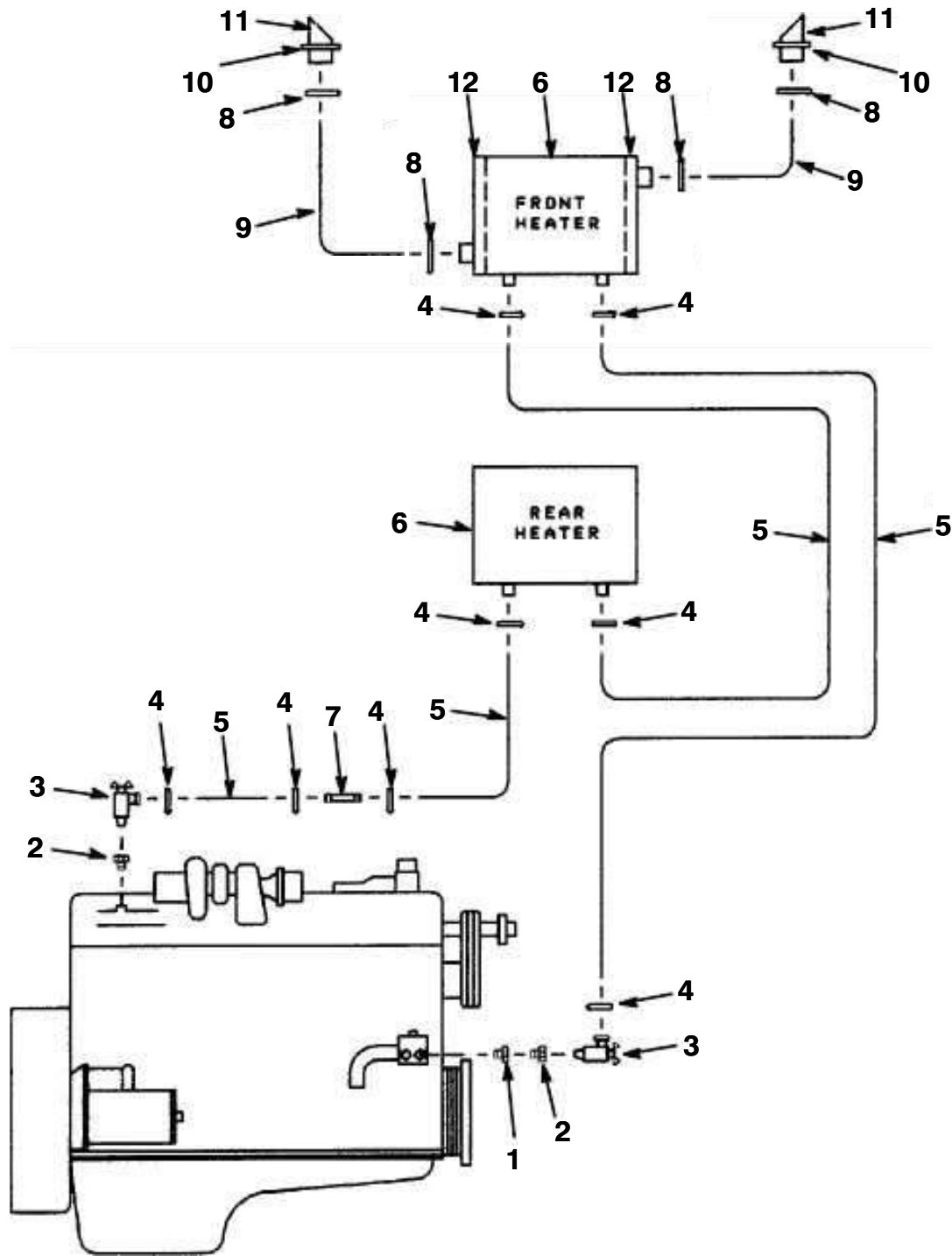



Revised 7/12/00

Chassis  
**20A-2082**  
 Heater and Defroster Circuit

# Taylor

MODEL OR SERIES	COMPONENT OR ASSEMBLY NUMBER
TE-800L, TE-900S, TE-925S, TEC-920L, TEC-950L, & TETC-1100	



ITEM	PART NUMBER	DESCRIPTION	QTY.
1	1556	BUSHING, 3/4" x 1/2"	1
2	1567	BUSHING, 1/2" x 3/8"	2
3	3249-070	VALVE, Shut-Off	2
4	1710	CLAMP	8
5	2130	HOSE, 5/8"	AR
6	See P.S.O.	HEATER	2
7	I-0-23-5852	ORIFICE, Heater	1
8	1710-200	CLAMP	4
9	1730-006	HOSE, Defroster	AR
10	I-0-28-4513	MOUNT, Defroster Plenum	2

11	3249-072	LOUVER	2
12	I-1-28-1187	DEFROSTER BOX ASSEMBLY	2

Revised 7/19/00

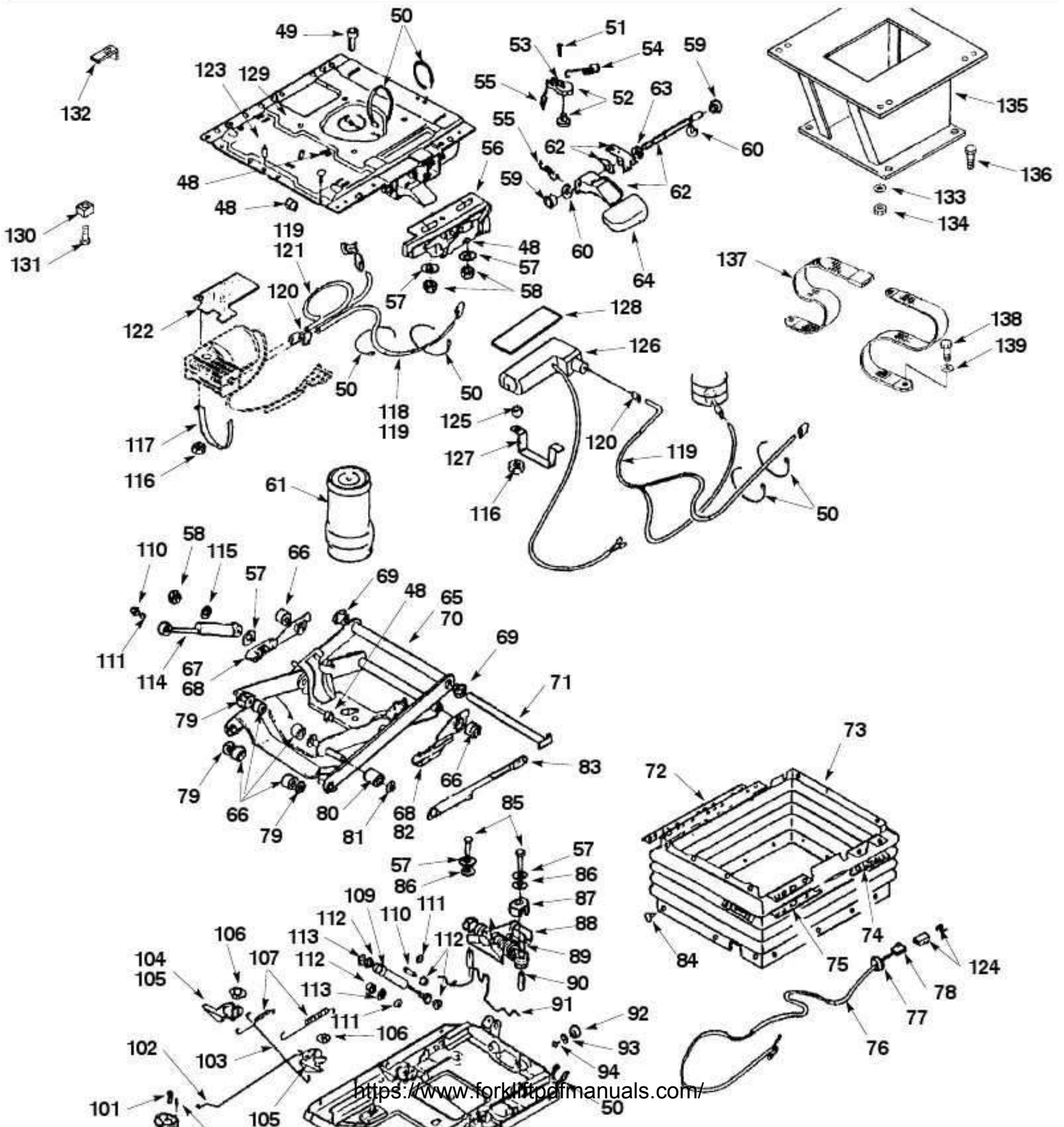


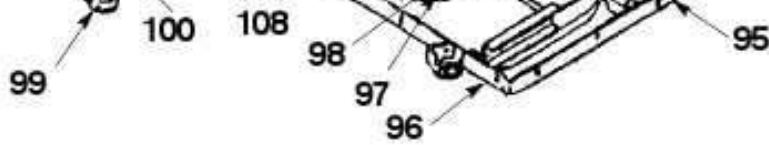


Chassis  
21-011A  
Seat and Suspension

# Taylor

MODEL OR SERIES	COMPONENT OR ASSEMBLY NUMBER
See P. S. O.	3226-363





Chassis  
**21-011B**  
 Seat and Suspension

# Taylor

MODEL OR SERIES	COMPONENT OR ASSEMBLY NUMBER
See P. S. O.	3226-363

ITEM	PART NUMBER	DESCRIPTION	QTY.
	3226-363	SEAT AND SUSPENSION ASSEMBLY	1
	5594-354	SEAT TOP ASSEMBLY	1
1	5594-146	CUSHION, Seat	1
2	5594-147	CUSHION, Backrest	1
3	5594-333	COVER, R.H.	1
4	5594-334	NUT, M8	2
5	5594-335	FITTING, R.H.	1
6	5594-336	BOLT, M8	4
7	5594-337	BOLT, 7/16" - 20 NF	2
8	5594-338	LOCKWASHER	2
9	5594-339	PLATE, Spacer	2
10	5594-340	PLATE, Spacer	1
11	5594-323	PAN, Backrest	1
12	5594-324	SPRING, Leg	1
13	5594-325	TUBE	1
14	5594-326	BOLT, M8	2
15	5594-327	PROFILE	1
16	5594-328	PROFILE	1
17	5594-329	PAN, Seat	1
18	5594-330	PIN, Dowel	1
19	5594-331	LOCK	1
20	5594-304	FITTING, L.H.	1
21	5594-305	STEEL, Round	1
22	5594-306	BUSHING	1
23	5594-307	PLATE, Spacer	1
24	5594-308	HANDLE	1
25	5594-309	SPRING, Tension	1
26	5594-308	LEVER	1
27	5594-311	COVER, L.H.	1
28	5594-312	TUBE	1
29	5594-313	WASHER	4
30	5594-320	WASHER	4
31	5594-353	BOLT, M8	4
32	S.O.	RAIL, Adjustment	1
33	5594-355	WASHER	2
34	5594-149	ARMREST, R.H.	1
35	5594-334	NUT	1
36	5594-265	WASHER	2
37	5594-342	PAD, Armrest	1
38	5594-343	SUPPORT, Armrest	1
39	5594-347	BOLT	1
40	5594-344	BOLT	1
34A	5594-148	ARMREST, L.H.	1
41	5594-347	BOLT	1
42	5594-334	NUT	1
43	5594-265	WASHER	3
44	5594-344	BOLT	1
45	5594-345	SUPPORT, Armrest	1
46	5594-346	PAD, Armrest	1
47	S.O.	RAIL, Additional	1

	5594-241	SUSPENSION ASSEMBLY	1
48	5594-246	FASTENER, Cable	4
49	5594-247	BOLT	1
50	5594-248	FASTENER, Cable	6

Revised 8/14/08

Chassis  
**21-011C**  
 Seat and Suspension

# Taylor

MODEL OR SERIES	COMPONENT OR ASSEMBLY NUMBER
See P. S. O.	3226-363

ITEM	PART NUMBER	DESCRIPTION	QTY.
51	5594-249	RIVET	1
52	5594-250	LOCK	1
53	5594-251	LOCK	1
54	5594-252	SPRING, Tension	1
55	5594-253	SPRING, Tension	2
56	5594-264	BAR, Slide	1
57	5594-265	WASHER	5
58	5594-266	NUT	3
59	5594-267	BUSHING	2
60	5594-268	WASHER	2
61	5594-269	SPRING, Air	1
62	5594-270	ADJUSTMENT, Sliding	1
63	5594-271	WASHER	1
64	5594-272	HANDLE	1
65	5594-273	ARM, Swing	1
66	5594-274	BUSHING, Needle	6
67	5594-275	BRACKET	1
68	5594-276	BRACKET	1
69	5594-277	BUSHING	2
70	5594-278	ARM, Swing	1
71	5594-279	BOLT	1
72	5594-280	STRAP, Fixing	1
73	5594-281	BELLOWS	1
74	5594-282	STRAP, Fixing	1
75	5594-254	STRAP, Fixing	1
76	5594-283	CABLE, Connecting	1
77	5594-255	BUSHING, Cable	1
78	5594-256	SOCKET, Amp	1
79	5594-257	RING, Felt	4
80	5594-258	BUMPER	2
81	5594-259	RING, Safety	1
82	5594-260	BRACKET	1
83	5594-261	CAM, Sliding	1
84	5594-262	PLUG, Retainer	25
85	5594-263	BOLT	2
86	5594-284	WASHER	2
87	5594-285	BUMPER	1
88	5594-286	ISOLATOR, Horizontal	1
89	5594-287	ISOLATOR, Horizontal	1
90	5594-288	TUBE	2
91	5594-289	HOOK	1
92	5594-290	SET, Bumper	2
93	5594-291	WASHER	2
94	5594-292	RIVET	2
95	5594-293	SUSPENSION, Lower Part	1
96	5594-294	<a href="https://www.forkliftpdfmanuals.com/">https://www.forkliftpdfmanuals.com/</a>	1
97	5594-295	BUMPER	1



98	5594-296	RIVET	1
99	5594-297	HANDLE	1
100	5594-298	SLEEVE, Clamping	1
101	5594-299	BOLT	1

Revised 8/14/08

Chassis  
**21-011D**  
 Seat and Suspension

# Taylor

MODEL OR SERIES	COMPONENT OR ASSEMBLY NUMBER
See P. S. O.	3226-363

ITEM	PART NUMBER	DESCRIPTION	QTY.
102	5594-300	HOOK	1
103	5594-301	HOOK	1
104	5594-302	ECCENTRIC	1
105	5594-303	DEVICE, Unlocking	1
106	5594-314	RING, Axle Clamp	2
107	5594-351	SPRING	2
108	5594-315	ECCENTRIC	1
109	5594-316	ABSORBER, Shock	1
110	5594-317	BOLT	2
111	5594-318	WASHER	3
112	5594-319	BUSHING	4
113	5594-320	WASHER	2
114	5594-321	ABSORBER, Shock	1
115	5594-322	WASHER	1
116	5594-334	NUT	1
117	5594-235	BRACKET	1
118	5594-236	HOSE	1
119	5594-237	TUBE, Air	1
120	5594-238	CLAMP, Hose	6
121	5594-239	HOSE	1
122	5594-240	RUBBER, Porous	1
123	5594-245	SUSPENSION, Upper	1
124	5594-242	CONNECTOR	1
125	5594-243	TUBE	1
126	5594-348	COMPRESSOR	1
127	5594-349	BRACKET	1
128	5594-350	PLATE	1
129	5594-244	SUSPENSION, Upper	1
130	I-0-28-4713	STOP	2
131	1265-201	BOLT, 5/16" - 18 NC x 1"	AR
<del>131A</del>	<del>1120-100</del>	<del>BOLT w/WASHER, 3/8" - 16 NC x 1"</del>	<del>4</del>
132	I-0-28-5283	BRACKET, Blockout (TCO-150 thru TCO-180)	1
133	1417	FLATWASHER, 5/16"	4
133A	1420	FLATWASHER, 3/8"	4
134	1312	NUT, 5/16" NC	4
134A	1315	NUT, 3/8" NC	4
135	I-1-28-1142	STAND, Seat (For TEC-150H, TEC-155H; TE-360S thru TETC-1100; TLS-900; TLS-1000)	1
135A	I-1-28-1341	STAND, Seat (For TYTC-1100)	1
135B	I-1-28-1351	STAND, Seat (For GT-170 thru GT-360)	1
135C	I-1-28-2136	STAND, Seat (For THD-120 thru THD-160)	1
136	1126-005	BOLT w/WASHER, 3/8" - 16 NC x 1-1/2"	4
136A	1141-010	BOLT w/WASHER, 7/16" - 14 NC x 1-1/2"	4
137	3249-412	BELT, Seat	1
138	1138-005	BOLT, 7/16" - 20 NF x 1-1/4" Gr.8	2
139	1424	WASHER, Hard, 7/16"	2

<https://www.forkliftpdfmanuals.com/>


Revised 8/14/08



<u>Functional Group</u>	<u>Section</u>
Piping (Schematic Diagrams) .....	22
Pumps .....	23
Valves .....	24
(Steering Control Valves Excluded)	
Controls .....	25
Cylinders .....	26

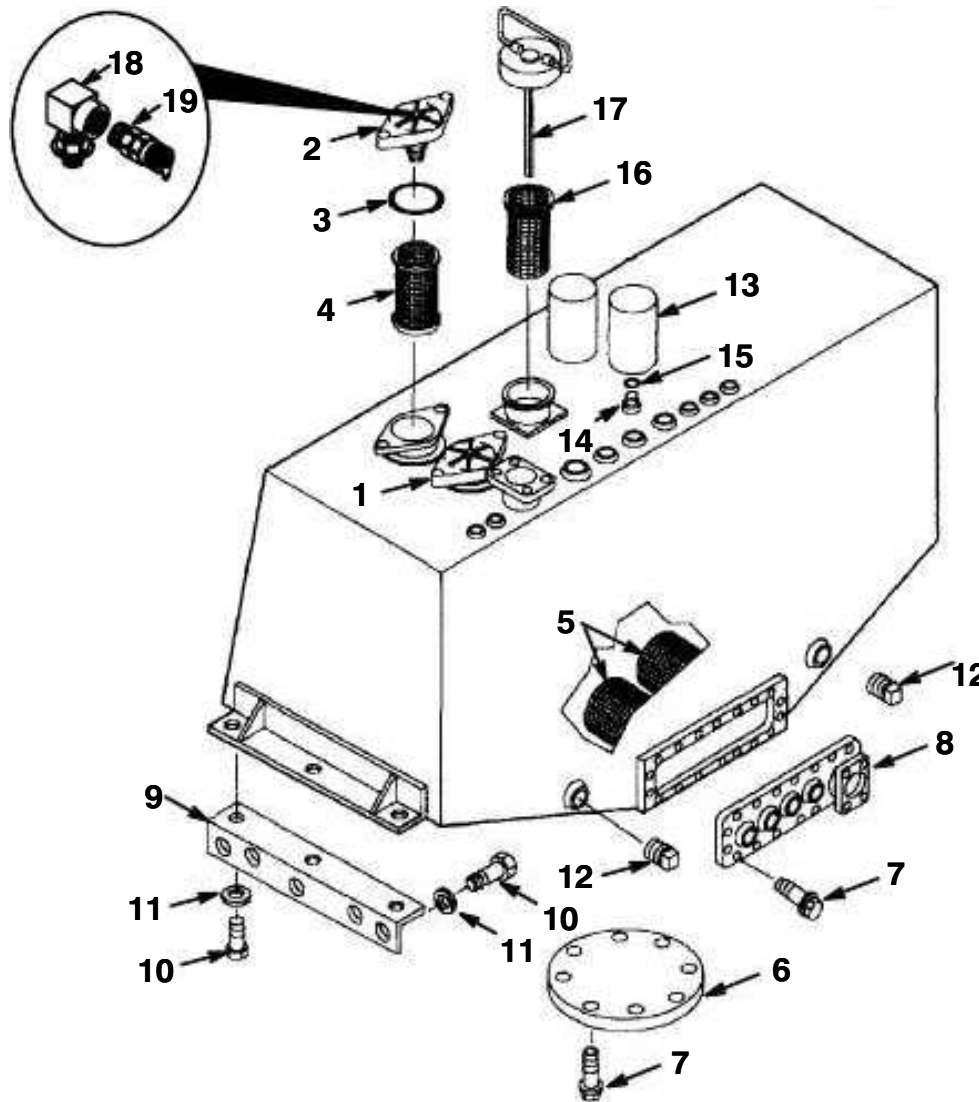
## Hydraulic System



Hydraulic System  
**22-534**  
 Hydraulic Tank Assembly

# Taylor

MODEL OR SERIES	COMPONENT OR ASSEMBLY NUMBER
See P.S.O.	I-1-22-0529 I-1-22-0699



ITEM	PART NUMBER	DESCRIPTION	QTY.
	I-1-22-0699	HYDRAULIC TANK ASSEMBLY, Corrosion Resistant	
	I-1-22-0529	HYDRAULIC TANK ASSEMBLY	
1	2404-334	RETURN FILTER ASSEMBLY	2
2	4044-426	HEAD ASSEMBLY, Filter	1
3	4044-321	O-RING	1
4	4044-367	ELEMENT	1
4A	2404-335	ELEMENT (For Water Glycol)	1
5	2404-393	STRAINER	2
5A	2404-392	STRAINER (For Water Glycol)	1
6	I-0-22-1498	PLATE, Filter Access	1
7	1120-100	BOLT w/WASHER, 3/8" - 16 NC x 1"	36
8	I-1-22-0530	COVER PLATE ASSEMBLY	1
9	I-1-22-0492	BRACKET, Mounting	2
10	1174	BOLT, 5/8" - 11 NC x 1-1/2"	16
11	1430	FLATWASHER, 5/8" Hard	16
12	7114	PLUG, 2"	2
13	2126	FILTER	2
14	1005-208	ADAPTER	2
15	5058-280	O-RING	1
16	0300-031	STRAINER	1

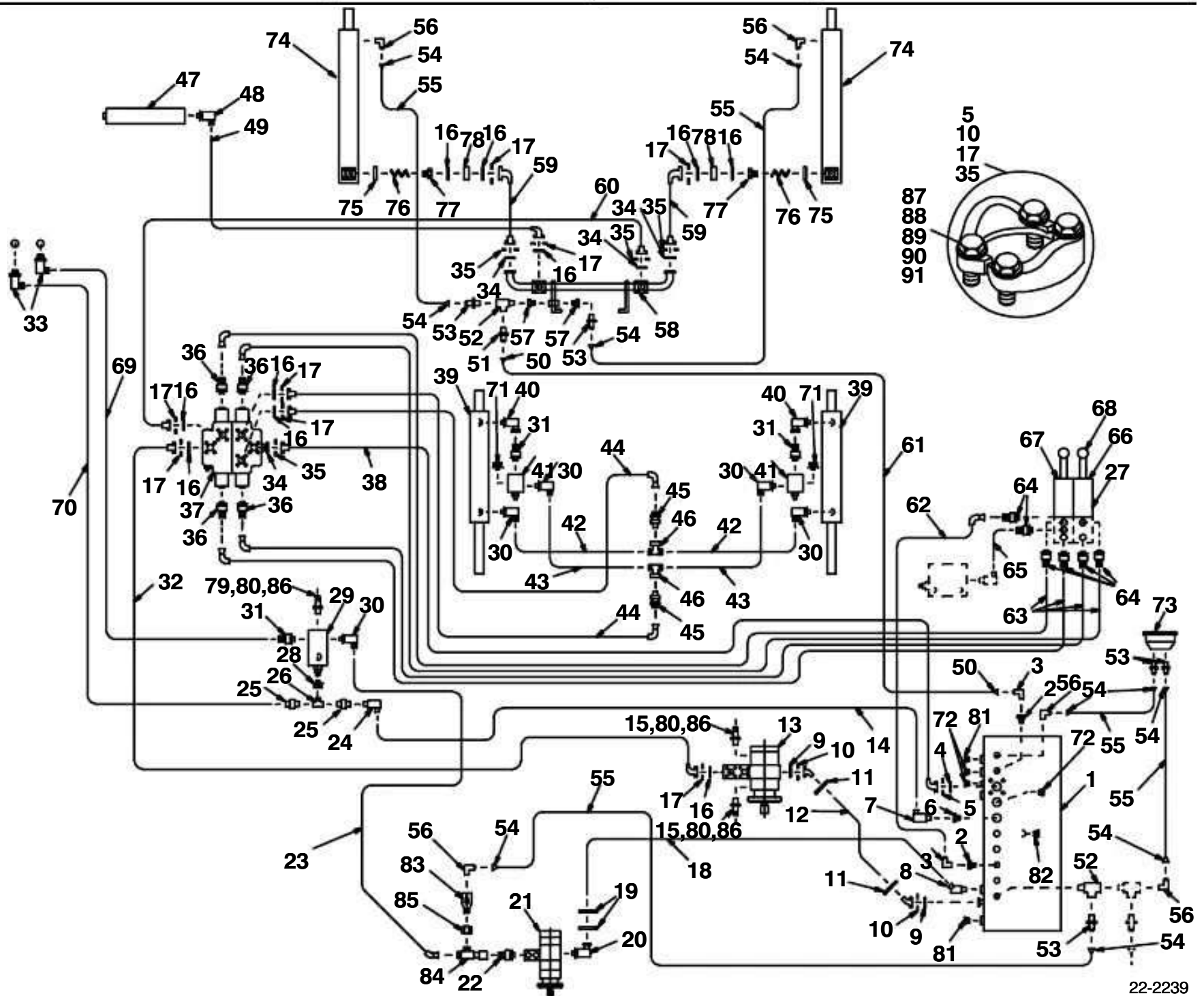
16	2720-271	STRAINER	1
17	2719-401	DIPSTICK	1
18	2947-251	FITTING, Female, 1/2" x 1/8", 90° (For Water Glycol)	1
19	2000-347	VALVE, Pressure Test (For Water Glycol)	1
NI	1733-052	SEALANT, Silicone	

Revised 4/20/99

Hydraulic System  
**22-2233**  
 Main Hydraulic Lift & Tilt Circuit

# Taylor

MODEL OR SERIES	COMPONENT OR ASSEMBLY NUMBER
TEC-920L & TEC-950L	



22-2239

ITEM	PART NUMBER	DESCRIPTION	QTY.
1	See P.S.O.	HYDRAULIC TANK ASSEMBLY	1
2	1567	BUSHING, 1/2" x 3/8"	2
3	2243-748	FITTING, 3/8" x 5/8", 90°	2
4	3016-060	O-RING, 2"	1
5	3016-270	CLAMP, Split Flange, 2"	2
6	1562	BUSHING, 1-1/4" x 1"	1
7	2964-100	ADAPTER, 1" x 3/4", 90°	1
8	2985	ADAPTER, 1-1/2" x 1-1/2", 45°	1
9	3016-001	O-RING, 2-1/2"	2
10	3016-290	CLAMP, Split Flange, 2-1/2"	4

11	2403-658	CLAMP, 2-1/2"	2
12	I-1-32-1934	HOSE ASSEMBLY, 2-1/2" x 25-1/2" Lg.	1
13	See P.S.O.	PUMP	1
14	I-1-32-1934	HOSE ASSEMBLY, 3/4" x 98" Lg.	1
15	2244-066	CHECK, Quick, Male	2

Revised 3/3/98

Hydraulic System  
**22-2233A**  
Main Hydraulic Lift & Tilt Circuit

# Taylor

MODEL OR SERIES	COMPONENT OR ASSEMBLY NUMBER
TEC-920L & TEC-950L	

ITEM	PART NUMBER	DESCRIPTION	QTY.
16	3016-050	O-RING, 1-1/4"	10
17	3016-250	CLAMP, Split Flange, 1-1/4"	16
18	I-1-32-1963	HOSE ASSEMBLY, 1-1/2" x 55" Lg.	1
19	1710-050	CLAMP, 1-1/2"	2
20	2945-757	ADAPTER, 1-7/8" x 1-1/2", 90°	1
21	See P.S.O.	PUMP	1
22	2954-058	ADAPTER, 1-7/8" x 1-1/2", St.	1
23	I-1-32-1933	HOSE ASSEMBLY, 3/4" x 81-1/2" Lg.	1
24	2958	ADAPTER, 3/4" x 3/4", 90°	1
25	2997	ADAPTER, 3/4" x 3/4", St.	2
26	2947-265	TEE, Branch, 3/4"	1
27	2797-146	CONTROLLER, Remote	1
28	2959-150	BUSHING, 1-1/16" x 3/4"	1
29	2536-576	VALVE, Relief	1
30	2954-031	ADAPTER, 1-1/16" x 1-3/16", 90°	5
31	2954-003	ADAPTER, 1-1/16" x 1-3/16", St.	3
32	I-1-32-1921	HOSE ASSEMBLY, 1-1/4" x 78" Lg.	1
33	2954-007	ADAPTER, Bulkhead, 1-3/16" x 90°	2
34	3016-055	O-RING, 1-1/2"	4
35	3016-260	CLAMP, Split Flange, 1-1/2"	8
36	2954-070	ADAPTER, 3/4" x 1-1/16", St.	4
37	See P.S.O.	VALVE, Lift & Tilt	1
38	I-1-32-1924	HOSE ASSEMBLY, 1-1/2" x 77" Lg.	1
39	See P.S.O.	CYLINDER ASSEMBLY, tilt	2
40	2954-067	ADAPTER, 1-1/16" x 1-3/16", 90°	2
41	2828-702	VALVE, Direct	2
42	I-1-32-1953	HOSE ASSEMBLY, 3/4" x 87-1/2" Lg.	2
43	I-1-32-1954	HOSE ASSEMBLY, 3/4" x 116-1/2" Lg.	2
44	I-1-32-1955	HOSE ASSEMBLY, 3/4" x 143-1/2" Lg.	2
45	2954-072	ADAPTER, Bulkhead, 1-7/16", St.	2
46	2954-071	TEE, Bulkhead, 1-7/16" x 1-3/16"	2
47	2788-949	ACCUMULATOR	1
NI	4044-850	KIT, Repair	1
48	2954-073	ADAPTER, 1-1/58" x 1-7/16", 90°	1
49	I-1-32-1925	HOSE ASSEMBLY, 1" x 51" Lg.	1
50	2947-210	FITTING, Female, 3/8" x 5/8"	2
51	2243-700	FITTING, 1/4" x 5/8", St.	1
52	1749-246	TEE, Street, 1/4"	2
53	1665-001	ADAPTER, 1/4" x 7/16", St.	5
54	2947-250	FITTING, Female, 1/4" x 7/16"	10
55	2836	HOSE, Air, 1/4" (Specify Length)	AR
56	2243-740	ADAPTER, 1/4" x 7/16", 90°	5
57	1558	BUSHING, 1/2" x 1/4"	2
58	I-1-30-0024	LIFT PIPE ASSEMBLY	1
59	I-1-32-1949	HOSE ASSEMBLY, 1-1/4" x 65" Lg.	2
59A	I-1-32-2436	HOSE ASSEMBLY, 1-1/4" x 57-1/2" Lg. (For 305" OALH Mast)	2
60	I-1-32-1948	HOSE ASSEMBLY, 1-1/4" x 41-1/2" Lg.	1



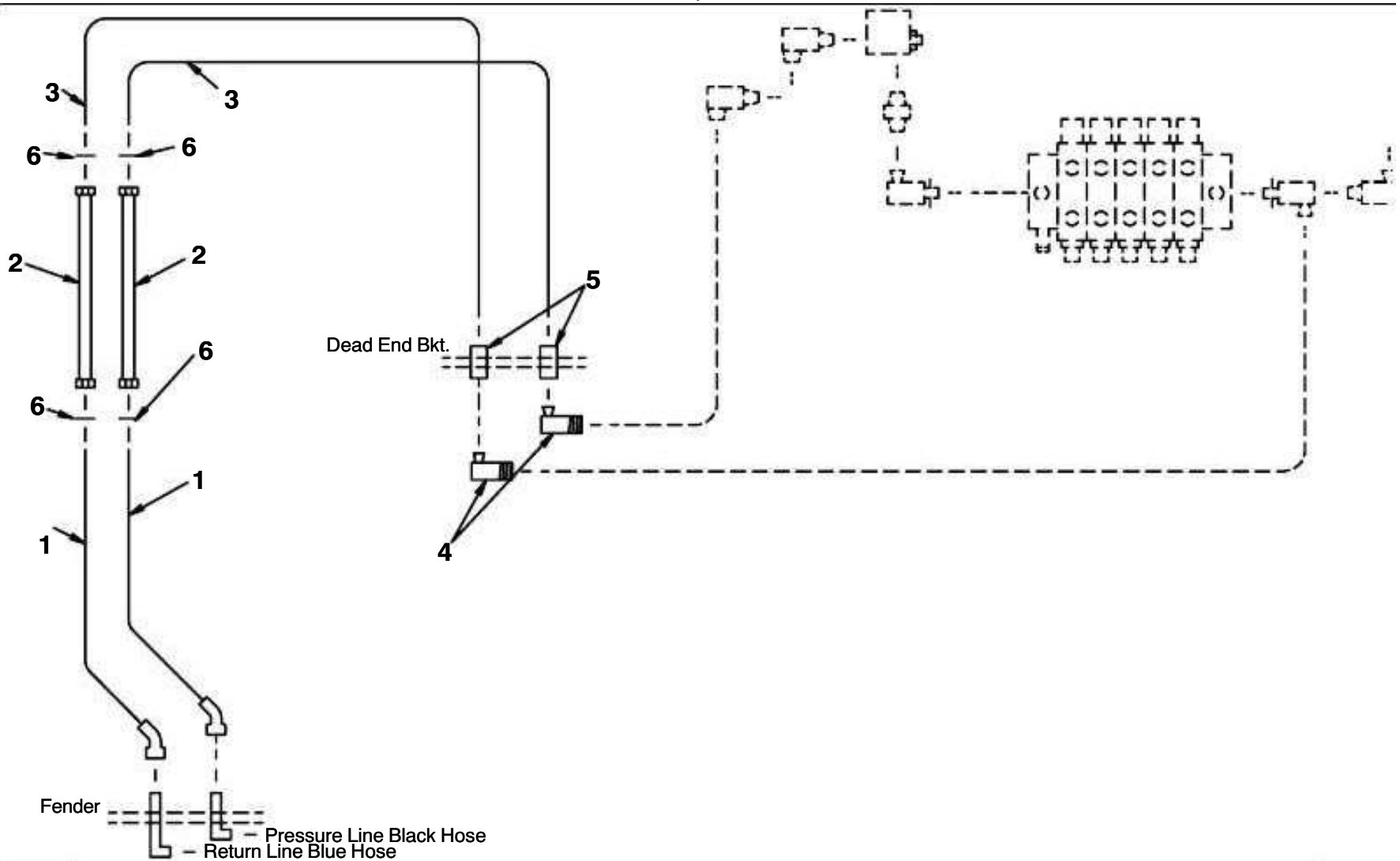



Revised 3/3/98

Hydraulic System  
**22A-2579-1**  
 Hydraulic Circuit - Fender to Attachment

# Taylor

MODEL OR SERIES	COMPONENT OR ASSEMBLY NUMBER
TEC-920L, TEC-950L, & TEC-955L	

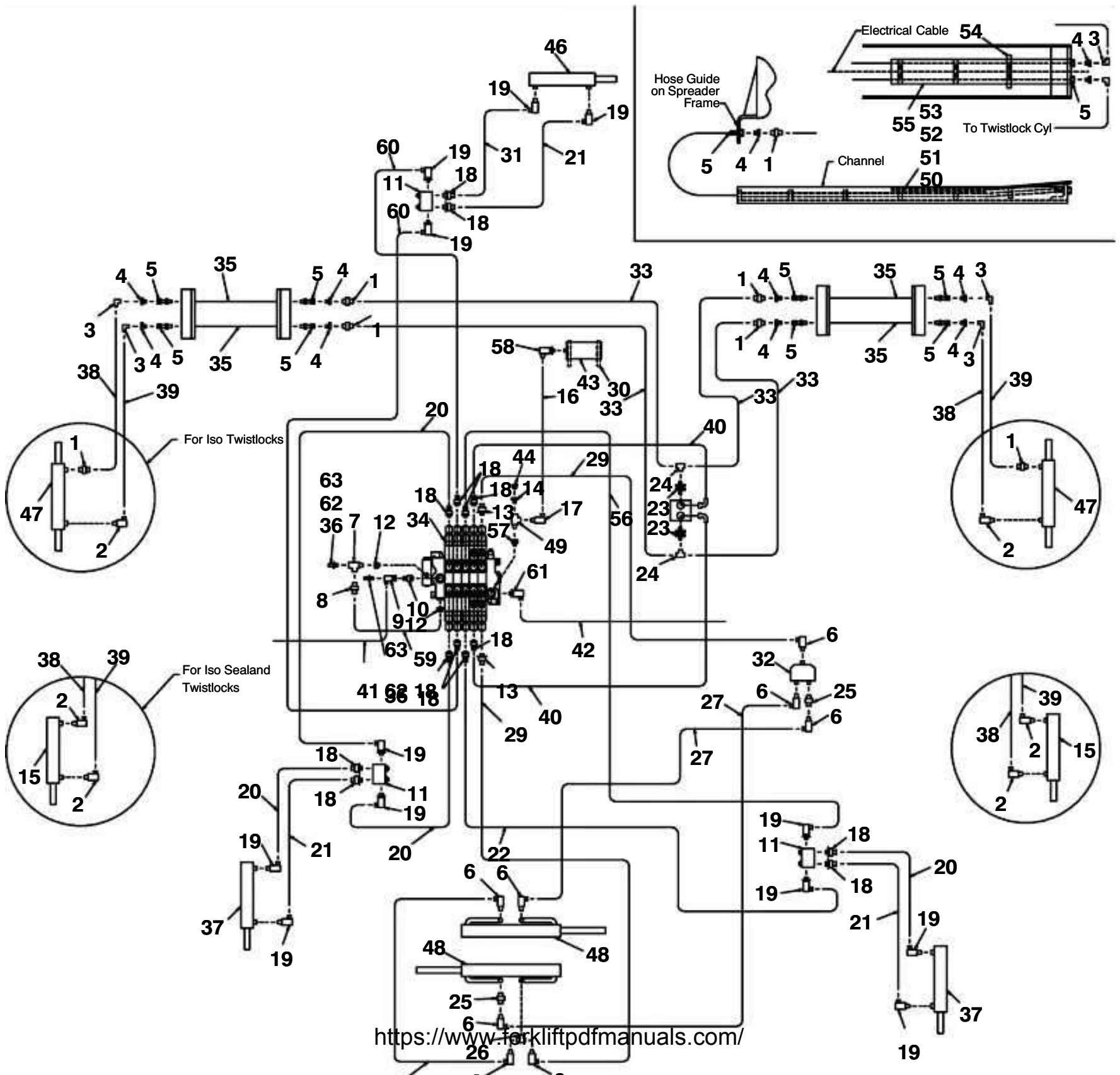


ITEM	PART NUMBER	DESCRIPTION	QTY.
1	I-1-32-1968	HOSE ASSEMBLY, 3/4" x 67"	2
1A	I-1-32-2518	HOSE ASSEMBLY, 3/4" x 53" (For 305" OALH Mast)	2
2	I-1-30-0030	PIPE, 3/4" x 171-1/8" (For 32' 6" Mast)	2
2A	I-1-30-0029	PIPE, 3/4" x 123-1/8" (For 24' Mast)	2
2B	I-1-30-0027	PIPE, 3/4" x 123-1/8" (For 305" OALH Mast)	2
3	I-1-32-1969	HOSE ASSEMBLY, 3/4" x 257" (For 32' 6" Mast)	2
3A	I-1-32-1973	HOSE ASSEMBLY, 3/4" x 206" (For 24' Mast)	2
3B	I-1-32-2351	HOSE ASSEMBLY, 3/4" x 225" (For 24' Mast & 6' High Container)	2
4	2954-011	ADAPTER, 1-3/16", 90°	2
5	2954-009	BULKHEAD, 1-3/16"	2
6	2954-034	O-RING	4

Hydraulic System  
**22A-2579-2**  
Hydraulic Circuit - Attachment

# Taylor

MODEL OR SERIES	COMPONENT OR ASSEMBLY NUMBER
TEC-920L, TEC-950L, & TEC-955L	



Hydraulic System  
**22A-2579-2A**  
 Hydraulic Circuit - Attachment

# Taylor

MODEL OR SERIES	COMPONENT OR ASSEMBLY NUMBER
TEC-920L, TEC-950L, & TEC-955L	

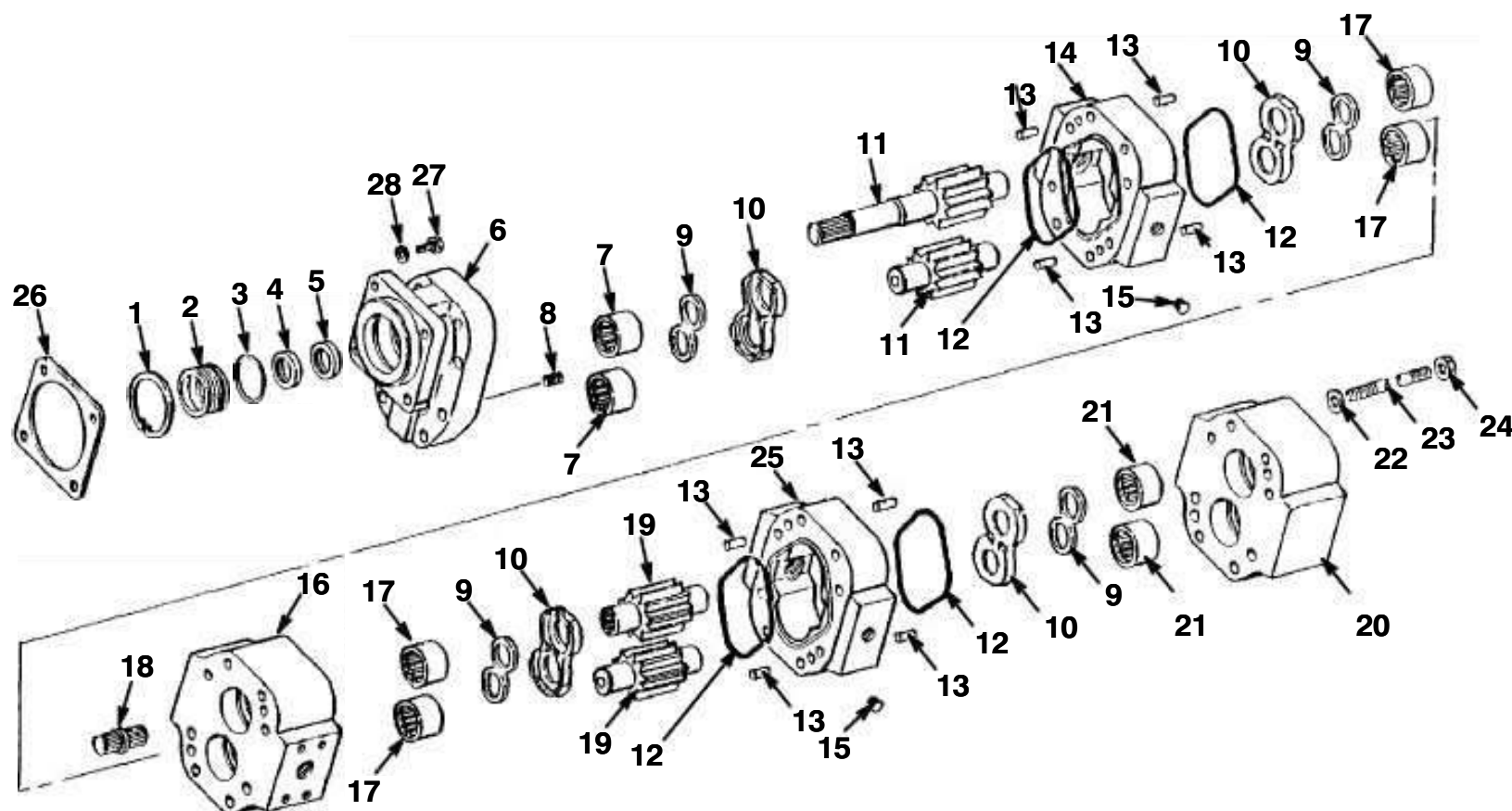
ITEM	PART NUMBER	DESCRIPTION	QTY.
1	2948	ADAPTER, 3/8", St.	6
2	3013-031	ADAPTER, 3/8", 90°	6
3	2947-318	FITTING, 3/8" x 9/16", 90°	4
4	2947-267	BUSHING, Steel, 3/4" x 3/8"	8
5	1665-115	FITTING, 3/4" x 1-1/16"	8
6	2958	ADAPTER, 3/4", 90°	8
7	2947-277	TEE, Street, 1/4"	1
8	2948-028	ADAPTER, 1/4", St.	1
9	I-0-30-0184	ADAPTER, 1-3/16" x 1-3/16", 90°	1
10	2954-058	ADAPTER, 1-5/16" x 1-3/16", St.	1
11	3260-152	VALVE, Dual Counterbalance	3
NI	2828-106	KIT, Seal	1
NI	4068-998	CARTRIDGE	2
12	2948-050	BUSHING, 1/4" x 9/16"	2
13	2996	ADAPTER, 1-1/16" x 3/4", St.	2
14	1561-004	BUSHING, 1" x 1/4"	1
15	I-1-26-2085	CYLINDER, Twistlock	2
16	I-1-32-2507	HOSE ASSEMBLY, 1" x 27"	1
17	2967	ADAPTER, 1", 90°	1
18	2954-001	ADAPTER, 1-1/16" x 13/16", St.	14
19	2954-032	ADAPTER, 1-1/16" x 13/16", 90°	12
20	I-1-32-1958	HOSE ASSEMBLY, 1/2" x 35"	4
21	I-1-32-1959	HOSE ASSEMBLY, 1/2" x 45"	3
22	I-1-32-1960	HOSE ASSEMBLY, 1/2" x 75"	1
23	2954-008	ADAPTER, Bulkhead, 13/16", St.	2
24	2954-077	TEE, 13/16"	2
25	2997	ADAPTER, 3/4", St.	2
26	2947-265	TEE, 3/4"	1
27	I-1-32-0632	HOSE ASSEMBLY, 3/4" x 27"	2
28	I-1-32-1336	HOSE ASSEMBLY, 3/4" x 21"	1
29	I-1-32-1335	HOSE ASSEMBLY, 3/4" x 33"	2
30	2387-015	STRAPS, 5"	2
31	I-1-32-1965	HOSE ASSEMBLY, 1/2" x 17"	1
32	3259-451	DIVIDER, Flow	1
NI	5566-202	KIT, Seal	1
33	I-1-32-1956	HOSE ASSEMBLY, 3/8" x 97"	4
34	See P.S.O.	VALVE ASSEMBLY	1
35	I-1-32-1332	HOSE ASSEMBLY, 3/4" x 87-1/2"	4
36	2244-051	CAP, Dust	2
37	See P. S. O.	CYLINDER, Slew	2
38	I-1-32-1331	HOSE ASSEMBLY, 3/8" x 114-1/2"	2
39	I-1-32-1330	HOSE ASSEMBLY, 3/8" x 92-1/2"	2
40	I-1-32-1957	HOSE ASSEMBLY, 1/2" x 27-1/2"	2
41	I-1-32-1966	HOSE ASSEMBLY, 3/4" x 141-1/2"	1
41A	I-1-32-2680	HOSES ASSEMBLY, 3/4" x 207" (For 256" OALH Mast)	1
42	I-1-32-1967	HOSE ASSEMBLY, 3/4" x 141-1/2"	1
42A	I-1-32-2681	HOSE ASSEMBLY, 3/4" x 207" (For 256" OALH Mast)	1
43	2788-941	ACCUMULATOR	1
44	1478-005	PLUG, 1/4"	1



Hydraulic System  
**23-054**  
 Hydraulic Pump Assembly

# Taylor

MODEL OR SERIES	COMPONENT OR ASSEMBLY NUMBER
See P. S. O.	2748-151 2748-158



ITEM	PART NUMBER	DESCRIPTION	QTY.
	2748-151	HYDRAULIC PUMP ASSEMBLY, Complete	
	2748-158	HYDRAULIC PUMP ASSEMBLY, Complete	
1	5274-434	RING, Snap	1
2	5274-436	RETAINER, Seal	1
3	5274-435	O-RING	1
4	5274-573	SEAL, Lip	1
5	5274-574	SEAL, Lip	1
6	5274-569	COVER, Shaft End	1
7	N.S.S.	BUSHING	2
8	5274-267	PLUG	1
9	5274-576	SEAL, Channel	4
10	5274-572	PLATE, Thrust	4
11	5274-666	GEAR SET, Shaft	1
12	5274-575	SEAL	4
13	5274-278	PIN, Dowel	8
14	5274-663	HOUSING, Gear	1
15	N.S.S.	PLUG	2
16	5274-664	CARRIER, Bearing	1
17	N.S.S.	BUSHING	4
18	5274-585	SHAFT, Connecting	1
19	5274-667	GEAR SET	1
20	5274-662	HOUSING, End	1
21	N.S.S.	BUSHING	2
22	5274-272	WASHER	4
23	N.S.S.	STUD	4

24	5274-266	NUT	4
25	5274-665	HOUSING, Gear	1
26	1749-125	GASKET, Pump	1
27	1153	BOLT, 1/2" - 13NC x 1-1/2"	4
28	1396	LOCKWASHER, 1/2"	4

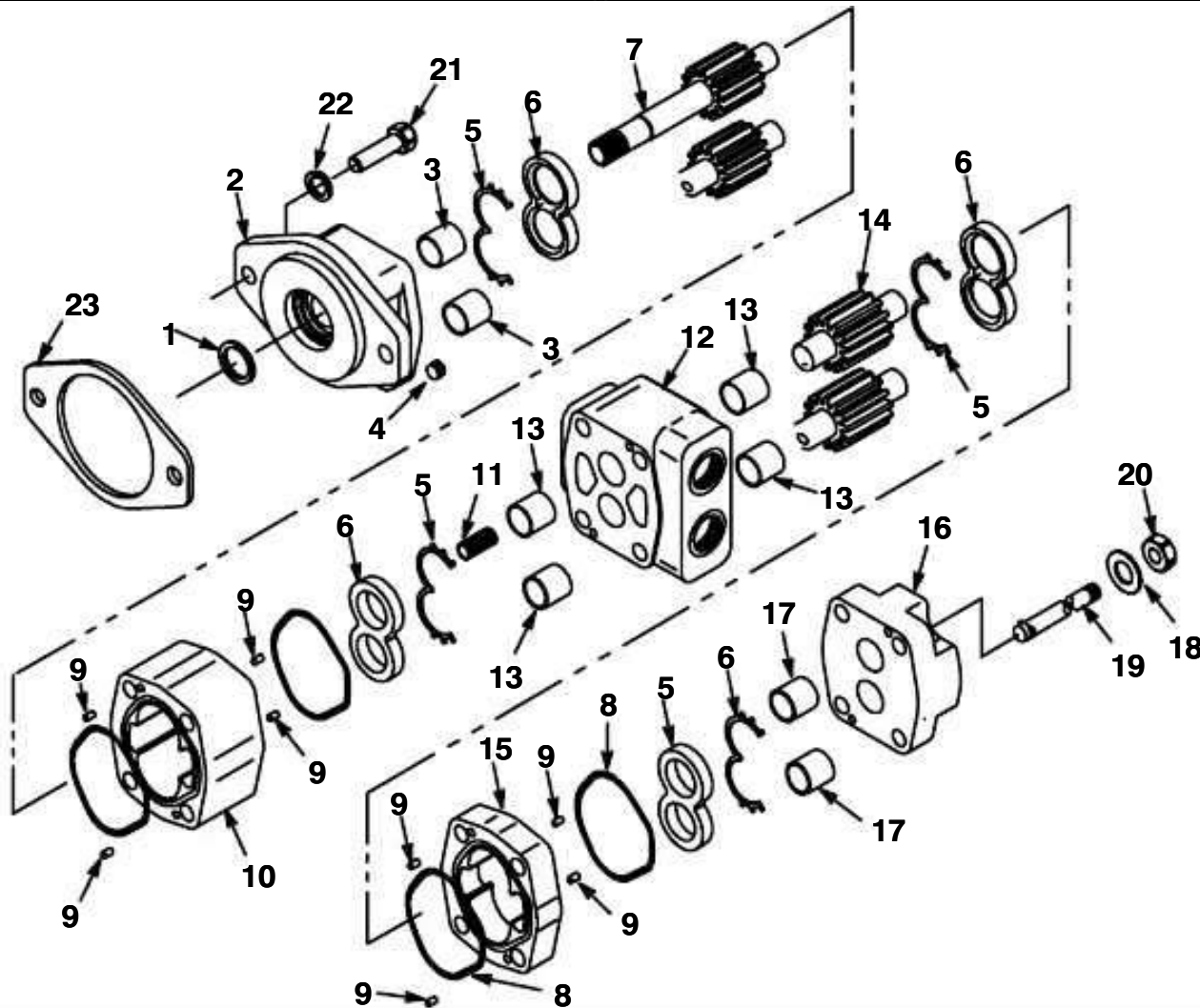
Revised 4/1/96



Hydraulic System  
**23-055**  
 Hydraulic Pump Assembly

# Taylor

MODEL OR SERIES	COMPONENT OR ASSEMBLY NUMBER
See P. S. O.	2748-156



ITEM	PART NUMBER	DESCRIPTION	QTY.
	2748-156	HYDRAULIC PUMP ASSEMBLY, Complete	
1	5274-682	SEAL, Lip	1
2	5274-672	COVER, Shaft End	1
3	5273-097	BUSHING	2
4	5274-267	PLUG	2
5	5274-684	SEAL	4
6	5274-683	PLATE, Thrust	4
7	5274-677	GEAR SET, Matched	1
8	5274-679	SEAL	4
9	5274-680	PIN, Dowel	8
10	5274-674	HOUSING, Gear	1
11	5274-681	SHAFT, Connecting	1
12	5274-675	CARRIER, Bearing	1
13	5273-097	BUSHING	4
14	5274-731	GEAR SET, Matched	1
15	5274-732	HOUSING, Gear	1
16	5274-673	HOUSING, End	1
17	5273-097	BUSHING	2
18	5273-064	WASHER	4
19	5226-620	STUD	4
20	5274-185	NUT	4

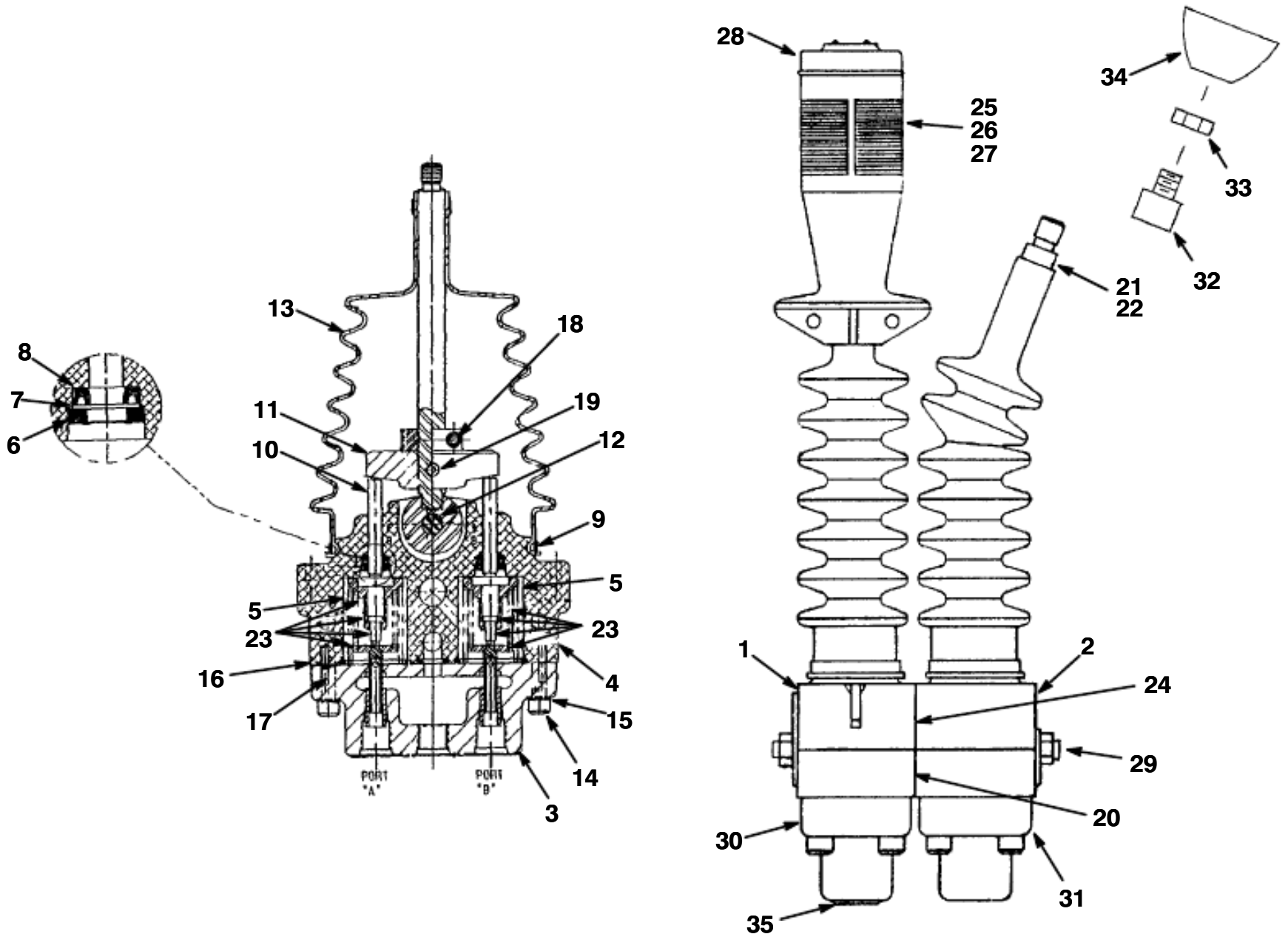
20	5274-485	NOI	4
21	6803-110	BOLT, 1/2"-13NC x 1-1/2"	2
22	1396	LOCKWASHER, 1/2"	2
23	2748-201	GASKET, Pump	1

Revised 1/26/99

Hydraulic System  
**24-066**  
 Two Section Stacked Controller

# Taylor

MODEL OR SERIES	COMPONENT OR ASSEMBLY NUMBER
TEC-920L & TEC-950L	2797-146



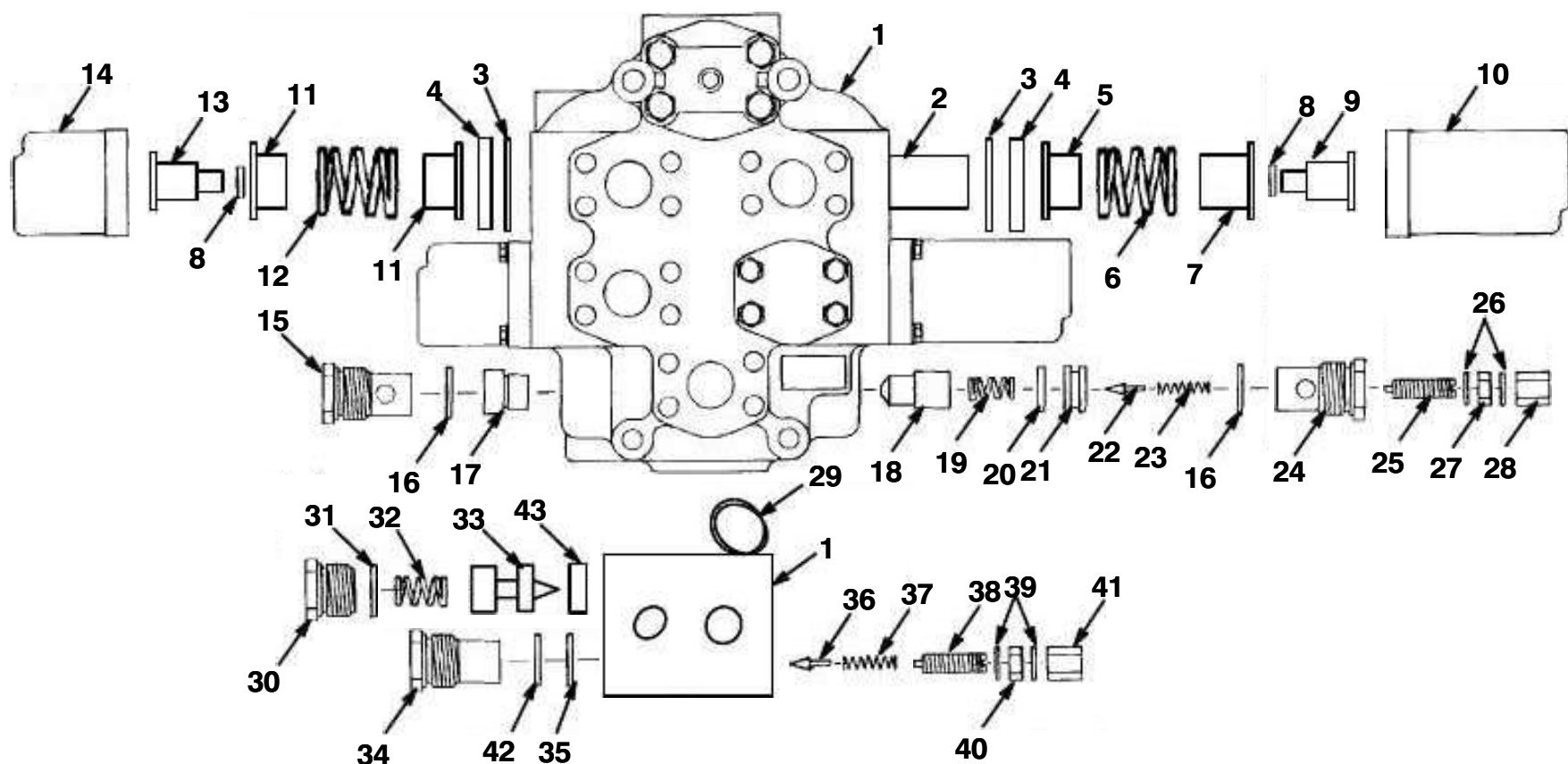
ITEM	PART NUMBER	DESCRIPTION	QTY.
	2797-146	CONTROLLER ASSEMBLY, Two Section Hydraulic	
1	5274-735	CONTROLLER, Lift	1
2	5274-734	CONTROLLER, Tilt	1
3	5274-833	HOUSING, Lower	1
4	5275-058	HOUSING, Upper (For 5274-735)	1
4A	5274-832	HOUSING, Upper (For 5274-734)	1
5	5274-782	SPRING, Return	2
6	5274-829	RING, Retaining	2
7	5274-828	WASHER	2
8	5274-776	WIPER, Seal	2
9	5274-826	WRAP, Tie	1
10	5274-825	PLUNGER	2
11	5274-824	ROCKER	1
12	5274-823	PIN, Pivot	1



Hydraulic System  
**24-069**  
 Hydraulic Control Valve Assembly

# Taylor

MODEL OR SERIES	COMPONENT OR ASSEMBLY NUMBER
See P. S. O.	2797-142



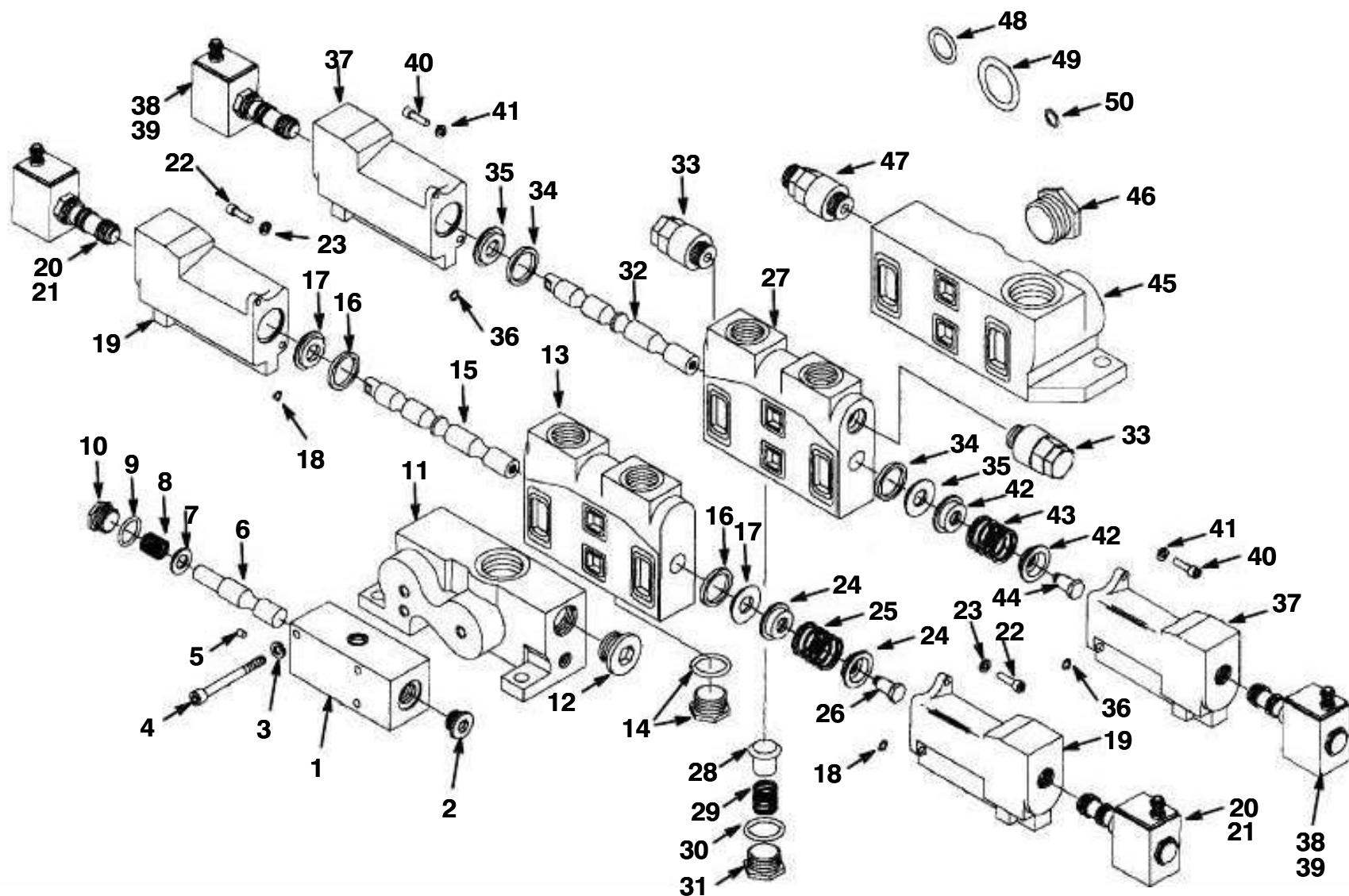
ITEM	PART NUMBER	DESCRIPTION	QTY.
	2797-142	HYDRAULIC CONTROL VALVE ASSEMBLY, Complete	
1	N. S. S.	BODY, Control Valve	1
2	N. S. S.	SPOOL	2
3	6149-203	SEAL	4
4	6149-204	RETAINER	4
5	6149-237	RETAINER, Spring, Short	2
6	6149-236	SPRING	2
7	6149-238	RETAINER, Spring, Long	2
8	6149-240	O-RING	4
9	6149-239	SCREW, Set	2
10	6149-202	CAP	2
11	6149-242	RETAINER, Spring	4
12	6149-241	SPRING	2
13	6149-243	SPACER	2
14	6149-205	CAP	2
15	6149-210	PLUG	1
16	6149-211	O-RING	2
17	6149-212	SEAT	1
18	6149-213	CHECK	1
19	6149-214	SPRING	1
20	6149-215	SEAT, Poppet	1
21	6149-216	SEAL	1
22	6149-222	POPPET	1
23	6149-218	SPRING	1
24	6149-219	CAP	1
25			
26			
27			
28			
29			
30			
31			
32			
33			
34			
35			
36			
37			
38			
39			
40			
41			
42			
43			



Hydraulic System  
**24-079**  
 Hydraulic Control Valve

# Taylor

MODEL OR SERIES	COMPONENT OR ASSEMBLY NUMBER
TEC & TEFC-920L/950L	2797-166



ITEM	PART NUMBER	DESCRIPTION	QTY.
	2797-166	HYDRAULIC CONTROL VALVE ASSEMBLY, Complete (5 Section)	
1	5274-938	PRESSURE REDUCTION VALVE ASSEMBLY	1
2	5274-940	PLUG, 1/2"	1
3	5274-946	WASHER	3
4	5274-945	SCREW, Socket Head	3
5	5274-609	PLUG, Expander	2
6	5274-941	SPOOL	1
7	5274-944	RETAINER, Spring	1
8	5274-942	SPRING	1
9	5274-653	O-RING	1
10	5274-943	CAP	1
11	5274-935	SECTION, Inlet	1
12	2828-099	PLUG	1
13	2797-145*	SECTION, Work (Side Shift, Left Slew, Right Slew)	3
14	5274-649	PLUG W/O RING	1
15	N.S.S.	SPOOL	1

16	5274-620	SEAL	2
17	5274-621	PLATE, Seal Retaining	2
18	5274-610	O-RING	6
19	5274-719	CAP	2
20	5274-718	SPOOL AND SOLENOID ASSEMBLY	2
21	5274-720	SOLENOID	1

Revised 3/16/99

Hydraulic System  
**24-079A**  
Hydraulic Control Valve

# Taylor

MODEL OR SERIES	COMPONENT OR ASSEMBLY NUMBER
TEC & TEFC-920L/950L	2797-166

ITEM	PART NUMBER	DESCRIPTION	QTY.
NI	5925-218	KIT, Seal	1
22	5274-721	SCREW	4
23	5274-607	LOCKWASHER	4
24	5274-622	GUIDE, Spring	2
25	5274-143	SPRING, Return	1
26	5274-623	BOLT, Stripper	1
27	5274-715	SECTION, Work (Twistlock - 500 PSI)	1
27A	5274-866	SECTION, Work (Expansion - 1000 PSI)	1
28	5274-651	POPPET, Check	1
29	5274-652	SPRING, Check	1
30	5274-653	O-RING	1
31	5274-628	CAP, Check	1
32	N.S.S.	SPOOL	1
33	5274-611	VALVE, Relief	2
34	5274-620	SEAL	2
<del>35</del>	<del>5274-621</del>	<del>PLATE, Seal Retaining</del>	<del>2</del>
<del>36</del>	<del>5274-610</del>	<del>O-RING</del>	<del>6</del>
37	5274-719	CAP	2
38	5274-718	SPOOL AND SOLENOID ASSEMBLY	2
39	5274-720	SOLENOID	1
40	5274-721	SCREW	4
41	5274-607	LOCKWASHER	4
42	5274-622	GUIDE, Spring	2
43	5274-143	SPRING, Return	1
44	5274-623	BOLT, Stripper	1
45	5274-937	SECTION, Outlet	1
46	5274-205	PLUG, 1"	1
47	5274-067	VALVE, Pilot Relief	1
48	5274-610	O-RING	6
49	5274-132	O-RING	6
50	5274-133	O-RING	18
NI	5274-939	STUD ASSEMBLY (5-Section)	4
NI	2797-171	STUD ASSEMBLY (6-Section)	4
NI	2797-172	STUD ASSEMBLY (7-Section)	4
NI	2797-173	STUD ASSEMBLY (8-Section)	4
NI	2797-174	STUD ASSEMBLY (9-Section)	4

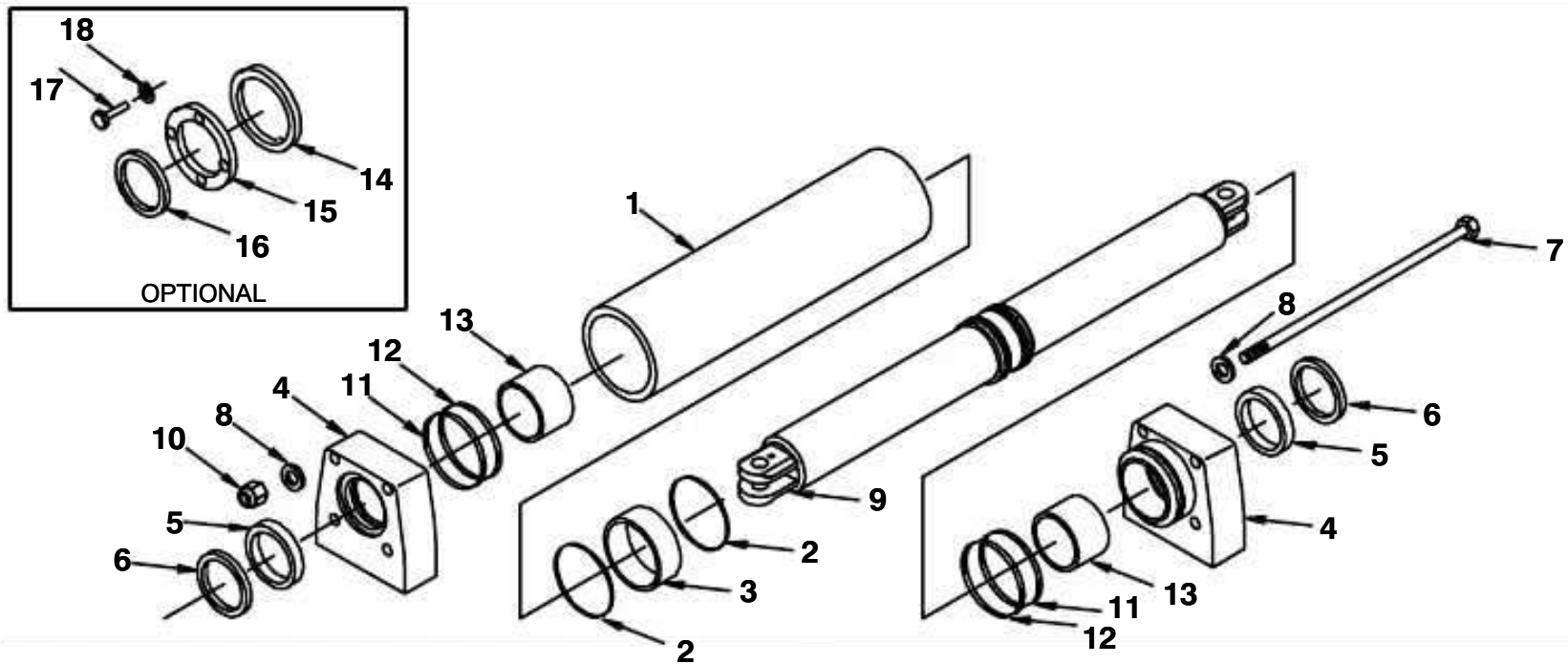
NOTE: For machines equipped with Pile Slope, Adjustable Guide Arms and Frame Stops,  
a 2797-145 work section is added for each function; order as required.



Hydraulic System  
**26-195**  
 Hydraulic Cylinder Assembly

# Taylor

MODEL OR SERIES	COMPONENT OR ASSEMBLY NUMBER
See P.S.O.	I-1-26-1997 I-1-26-2420



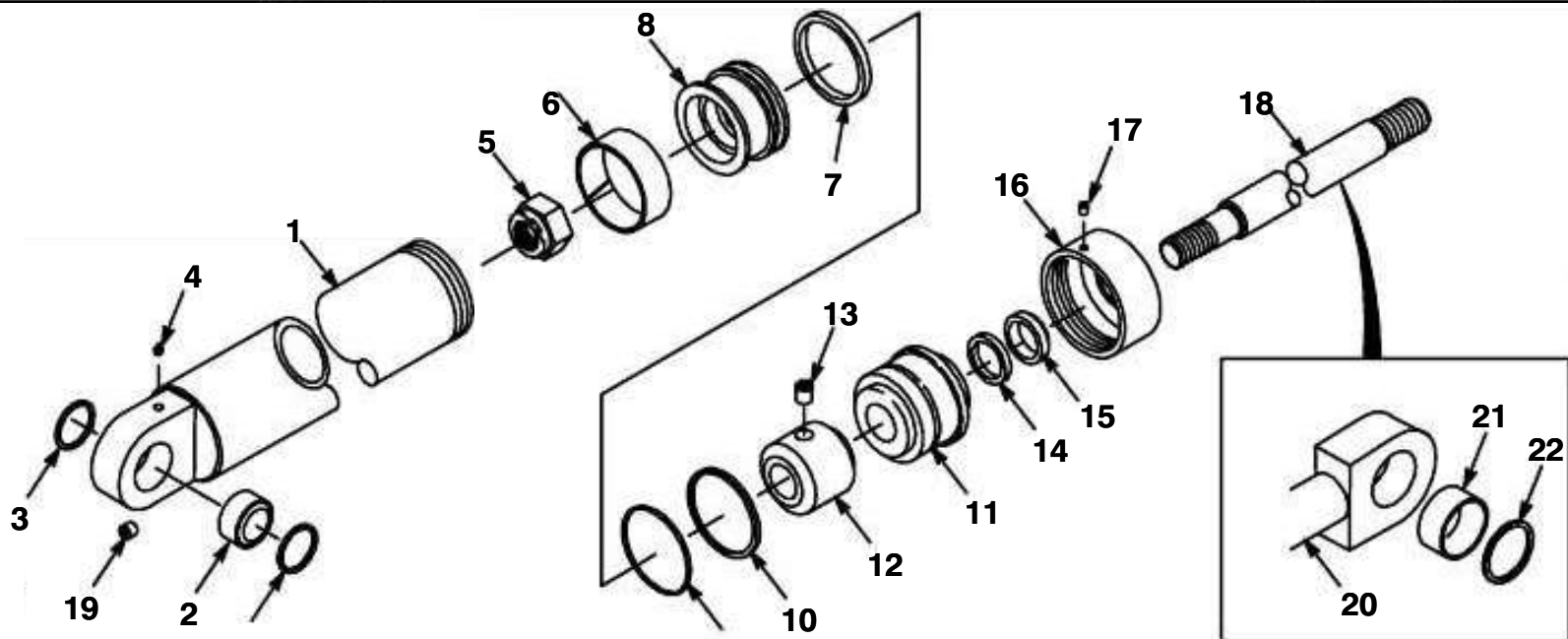
ITEM	PART NUMBER	DESCRIPTION	QTY.
	I-1-26-1997	HYDRAULIC CYLINDER ASSEMBLY, Complete (7-1/4" Bore x 21-1/2" Stroke)	
	I-1-26-2420	HYDRAULIC CYLINDER ASSEMBLY, Complete (7-1/4" Bore x 21-1/4" Stroke)	
1	I-1-26-1999	TUBING ASSEMBLY, Hydraulic Cylinder	1
2	*	SEAL, Piston	2
3	*	RING, Wear	1
4	I-0-26-2213	HEAD, Steer Cylinder	2
5	*	SEAL, Rod	2
6	*	WIPER, Rod	2
7	I-1-26-1996	TIE ROD ASSEMBLY, Cylinder	4
8	1430-010	FLATWASHER, 7/8"	8
9	I-1-26-2000	ROD ASSEMBLY, Steer Cylinder (Used On I-1-26-1997)	1
9A	I-1-26-2427	ROD ASSEMBLY, Steer Cylinder (Used On I-1-26-2420)	1
10	1338-101	NUT, 7/8" NF Gr. 8	4
11	*	O-RING	2
12	*	RING, Back-Up	2
13	I-0-26-2243	BUSHING, Brass	2
14	I-0-26-2717	PLATE, Mount	2
15	I-0-26-2716	PLATE, Wiper	2
16	2789-370	WIPER, Rod	2
17	1138-020	BOLT, 7/16" x 1-1/4"	8
18	1424	WASHER, 7/16"	8
*	5239-079	KIT, Seal	


Revised 1/8/96

Hydraulic System  
**26-366**  
 Hydraulic Cylinder Assembly

# Taylor

MODEL OR SERIES	COMPONENT OR ASSEMBLY NUMBER			
See P. S. O.	I-1-26-1155	I-1-26-1344	I-1-26-1530	I-1-26-2100
	I-1-26-1158	I-1-26-1470	I-1-26-1858	I-1-26-3059
	I-1-26-1280	I-1-26-1471	I-1-26-1888	I-1-26-3188



ITEM	PART NUMBER	DESCRIPTION	QTY.
	I-1-26-1155	HYDRAULIC CYLINDER ASSEMBLY, Complete (6-1/4" Bore x 47" Stroke)	
	I-1-26-1158	HYDRAULIC CYLINDER ASSEMBLY, Complete (6-1/4" Bore x 33" Stroke)	
	I-1-26-1280	HYDRAULIC CYLINDER ASSEMBLY, Complete (6-1/4" Bore x 24" Stroke)	
	I-1-26-1344	HYDRAULIC CYLINDER ASSEMBLY, Complete (6-1/4" Bore x 25-1/4" Stroke)	
	I-1-26-1470	HYDRAULIC CYLINDER ASSEMBLY, Complete (6-1/4" Bore x 9" Stroke)	
	I-1-26-1471	HYDRAULIC CYLINDER ASSEMBLY, Complete (6-1/4" Bore x 6-5/8" Stroke)	
	I-1-26-1530	HYDRAULIC CYLINDER ASSEMBLY, Complete (6-1/4" Bore x 25-1/4" Stroke)	
	I-1-26-1858	HYDRAULIC CYLINDER ASSEMBLY, Complete (6-1/4" Bore x 19-15/16" Stroke)	
	I-1-26-1888	HYDRAULIC CYLINDER ASSEMBLY, Complete (6-1/4" Bore x 13-1/2" Stroke)	
	I-1-26-2100	HYDRAULIC CYLINDER ASSEMBLY, Complete (6-1/4" Bore x 24" Stroke)	
	I-1-26-3059	HYDRAULIC CYLINDER ASSEMBLY, Complete (6-1/4" Bore x 9" Stroke)	
	I-1-26-3188	HYDRAULIC CYLINDER ASSEMBLY, Complete (6-1/4" Bore x 3" Stroke)	
1	I-1-26-1154	TUBING ASSEMBLY (For I-1-26-1155)	1
1A	I-1-26-1157	TUBING ASSEMBLY (For I-1-26-1158)	1
1B	I-1-26-1281	TUBING ASSEMBLY (For I-1-26-1280)	1
1C	I-1-26-1345	TUBING ASSEMBLY (For I-1-26-1344, I-1-26-1530, I-1-26-1858, & I-1-26-1888)	1
1D	I-1-26-1472	TUBING ASSEMBLY (For I-1-26-1470 & I-1-26-1471)	1
1E	I-1-26-2099	TUBING ASSEMBLY (For I-1-26-2100)	1
1F	I-1-26-3058	TUBING ASSEMBLY (For I-1-26-3059)	1
1G	I-1-26-3187	TUBING ASSEMBLY (For I-1-26-3188)	1
2	2007-200	BEARING	1
2A	1987-100	BEARING (For I-1-26-1470, I-1-26-1471, I-1-26-3059, & I-1-26-3188)	1
2B	1980-093	RACE (For I-1-26-1280)	2
3	3141-015	RING, Snap	2
3A	1749-550	RING, Snap (For I-1-26-1470, I-1-26-1471, I-1-26-3059 & I-1-26-3188)	2
3B	2789-754	WIPER, Rod (For I-1-26-1280)	2
4	1686	FITTING, Grease, 1/8" St.	1
5	1376-102	NUT, Piston	1
6	*	RING, Wear	1
7	*	SEAL	1
8	I-0-26-1325	PISTON	1

9	*	O-RING	1
10	*	RING, Backup	1
11	I-0-26-1327	HEAD	1
12	I-0-26-1732	SPACER (For I-1-26-1471)	1
12A	I-0-26-2076	SPACER (For I-1-26-1858)	1

Replaces Pages 26-347, 26-348, 26-374 & 26-388

Revised 11/17/05

Hydraulic System  
**26-366A**  
 Hydraulic Cylinder Assembly

# Taylor

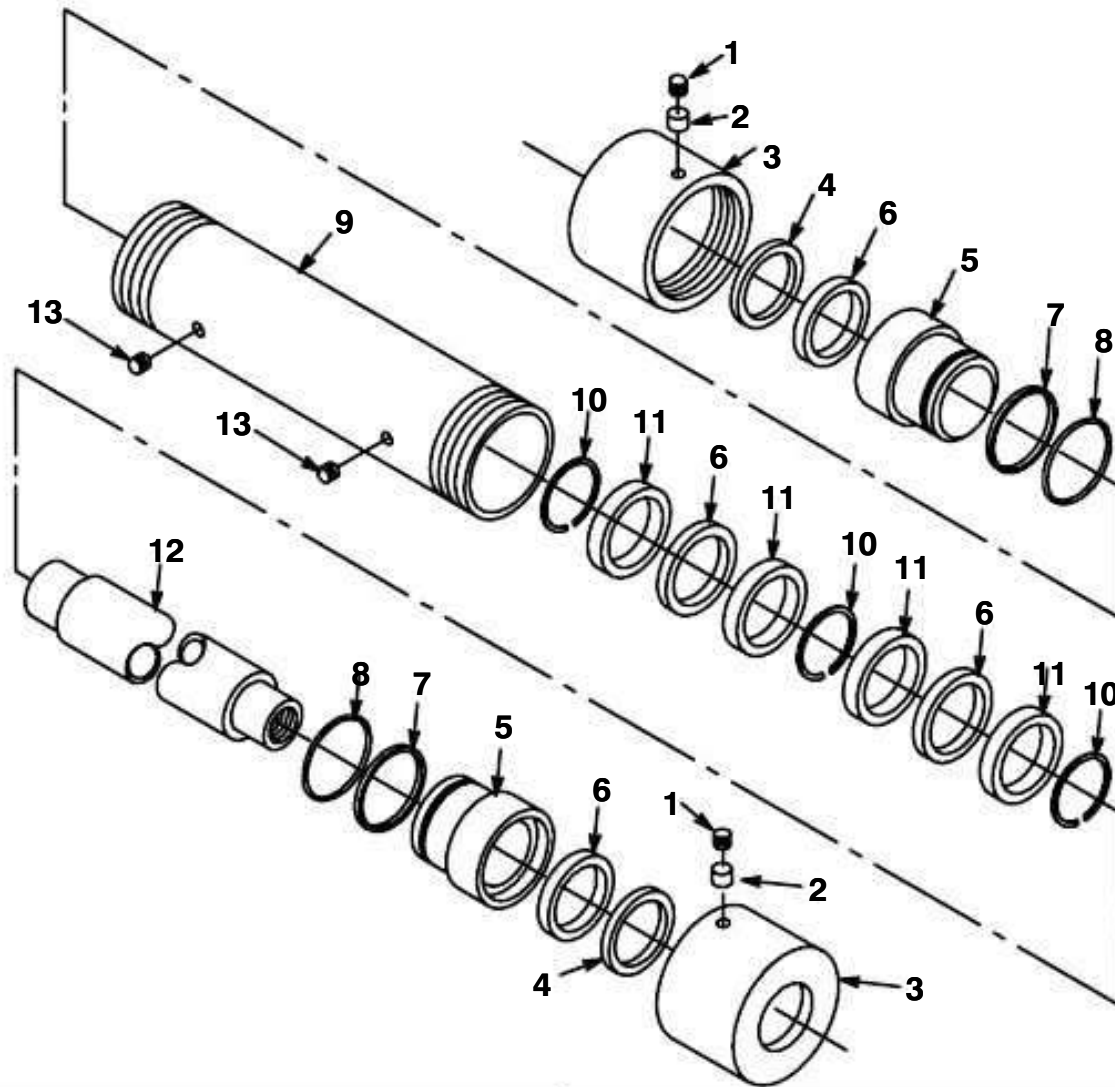
MODEL OR SERIES	COMPONENT OR ASSEMBLY NUMBER
See P. S. O.	I-1-26-1155
	I-1-26-1158
	I-1-26-1280
	I-1-26-1344
	I-1-26-1470
	I-1-26-1471
	I-1-26-1530
	I-1-26-1858
	I-1-26-1888
	I-1-26-2100
	I-1-26-3059
	I-1-26-3188

ITEM	PART NUMBER	DESCRIPTION	QTY.
12B	I-0-26-2105	SPACER (For I-1-26-1888)	1
13	1250	SETSCREW, 1/2" x 1/2"	1
14	*	SEAL, Rod	1
15	*	WIPER, Rod	1
16	I-0-26-0831	CAP	1
17	1232-100*	SETSCREW, 1/4" - 28 NF x 1/4"	2
18	I-0-26-1360	ROD (For I-1-26-1155)	1
18A	I-0-26-1361	ROD (For I-1-26-1158, I-1-26-1344 & I-1-26-1858)	1
18B	I-0-26-1731	ROD (For I-1-26-1470, I-1-26-1471 & I-1-26-3059)	1
18C	I-0-26-1789	ROD (For I-1-26-1530)	1
18D	I-0-26-2117	ROD (For I-1-26-1888)	1
18E	I-0-26-3442	ROD (For I-1-26-3188)	1
19	2789-917	PLUG	1
20	I-1-26-1282	ROD (For I-1-26-1280 & I-1-26-2100)	1
21	1980-093	RACE	2
22	2789-754	WIPER, Rod	2
*	5239-070	REPAIR KIT (Includes All Items Marked With *)	

Hydraulic System  
**26-375**  
 Hydraulic Cylinder Assembly

# Taylor

MODEL OR SERIES	COMPONENT OR ASSEMBLY NUMBER
See P. S. O.	I-1-26-1240 I-1-26-2753



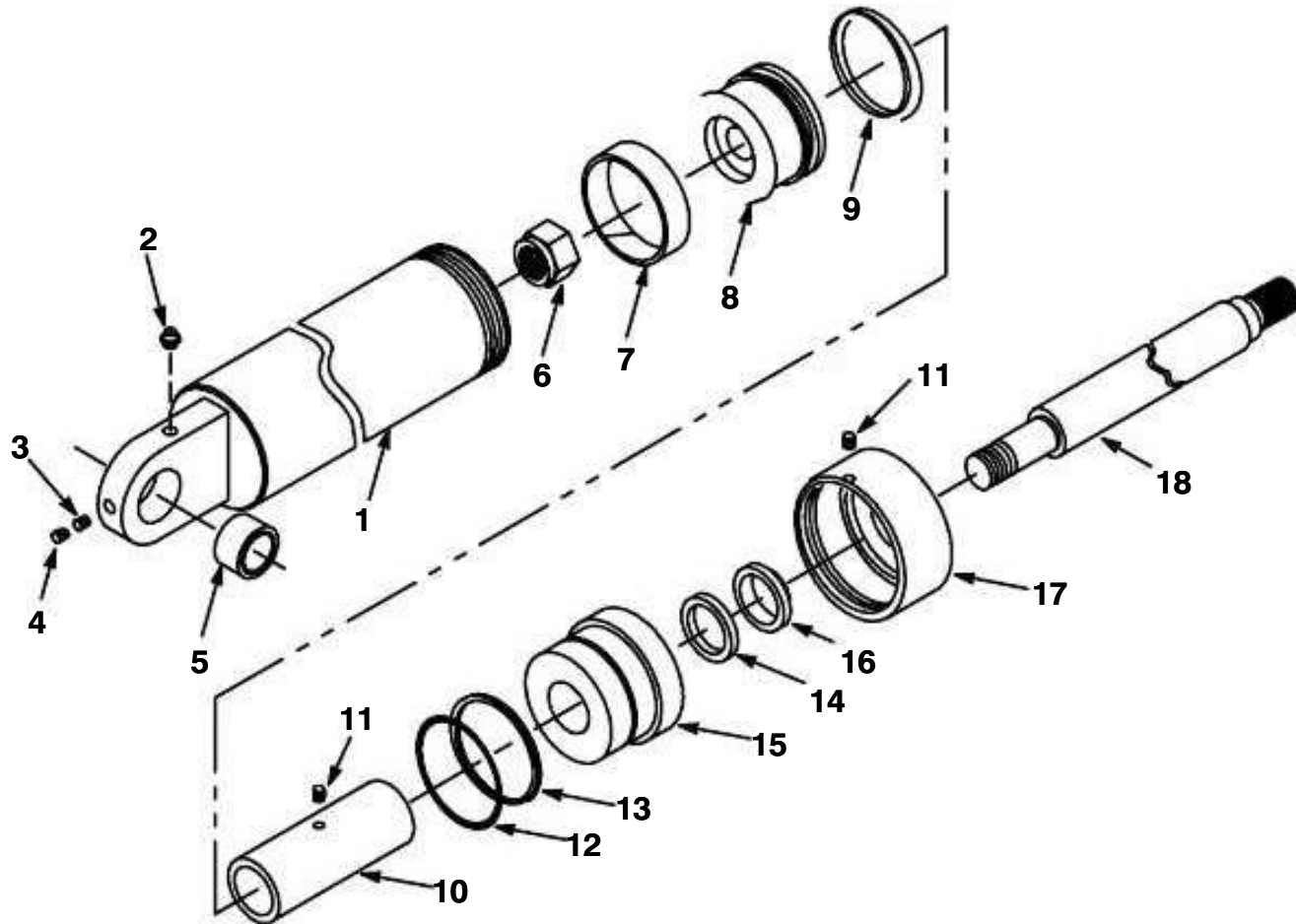
ITEM	PART NUMBER	DESCRIPTION	QTY.
	I-1-26-1240	HYDRAULIC CYLINDER ASSEMBLY, Complete (2" Bore x 4-3/8" Stroke)	
	I-1-26-2753	HYDRAULIC CYLINDER ASSEMBLY, Complete (2" Bore x 3" Stroke)	
1	1232-100	SETSCREW, 1/4" - 28 NF x 1/4"	4
2	I-0-26-1087	LOCK, Thread	4
3	I-0-26-1080	CAP, Hydraulic Cylinder	2
4	*	WIPER, Rod	2
5	I-0-26-1084	HEAD, Hydraulic Cylinder	2
6	*	SEAL, Rod	4
7	*	RING, Backup	2
8	*	O-RING	2
9	I-1-26-1239	TUBING ASSEMBLY, Hydraulic Cylinder (For I-1-26-1240)	1
9A	I-1-26-2754	TUBING ASSEMBLY, Hydraulic Cylinder (For I-1-26-2753)	1
10	*	RING, Snap	3
11	I-0-26-1473	SPACER, Piston	4
12	I-0-26-1472	ROD, Cylinder (For I-1-26-1240)	1
12A	I-0-26-2995	ROD, Cylinder (For I-1-26-2753)	1
13	1477-101	PLUG, Pipe, 1/8"	4
		<a href="https://www.forkliftpdfmanuals.com/">https://www.forkliftpdfmanuals.com/</a>	
*	5239-001	KIT, Seal (Includes All Items Marked With *)	


Revised 6/12/98

Hydraulic System  
**26-376**  
 Hydraulic Cylinder Assembly

# Taylor

MODEL OR SERIES	COMPONENT OR ASSEMBLY NUMBER
See P. S. O.	I-1-26-1238 I-1-26-2940 I-1-26-1960



ITEM	PART NUMBER	DESCRIPTION	QTY.
	I-1-26-1238	HYDRAULIC CYLINDER ASSEMBLY, Complete (2-3/4" Bore x 122" Stroke)	
	I-1-26-1960	HYDRAULIC CYLINDER ASSEMBLY, Complete (2-3/4" Bore x 122" Stroke)	
	I-1-26-2940	HYDRAULIC CYLINDER ASSEMBLY, Complete (2-3/4" Bore x 152" Stroke)	
1	I-1-26-1237	TUBING ASSEMBLY (For I-1-26-1238 & I-1-26-1960)	1
1A	I-1-26-2941	TUBING ASSEMBLY (For I-1-26-2940)	1
2	1686	FITTING, Grease, 1/8", St.	2
3	1233	SETSCREW, 3/8" x 3/8"	1
4	1234-005	SETSCREW, 3/8" x 1/2"	1
5	2005	BEARING	1
6	1376-100	NUT, Piston	1
7	*	RING, Wear	1
8	I-0-26-1096	PISTON	1
9	*	SEAL, Piston	1
10	I-0-26-1468	SPACER	1
11	1232-100	SETSCREW, 1/4" - 28 NF x 1/4"	4
12	*	O-RING	1
13	*	RING, Backup	1
14	*	SEAL, Rod	1
15	I-0-26-1466	HEAD	1
16	*	WIPER, Rod	1
17	I-0-26-1467	CAP	1
18	I-0-26-1471	ROD (For I-1-26-1238)	1
18A	I-0-26-2188	ROD (For I-1-26-1960)	1

18B	I-0-26-3163	ROD (For I-1-26-2940)	1
*	5239-090	KIT, Seal (Includes All Items Marked With *)	

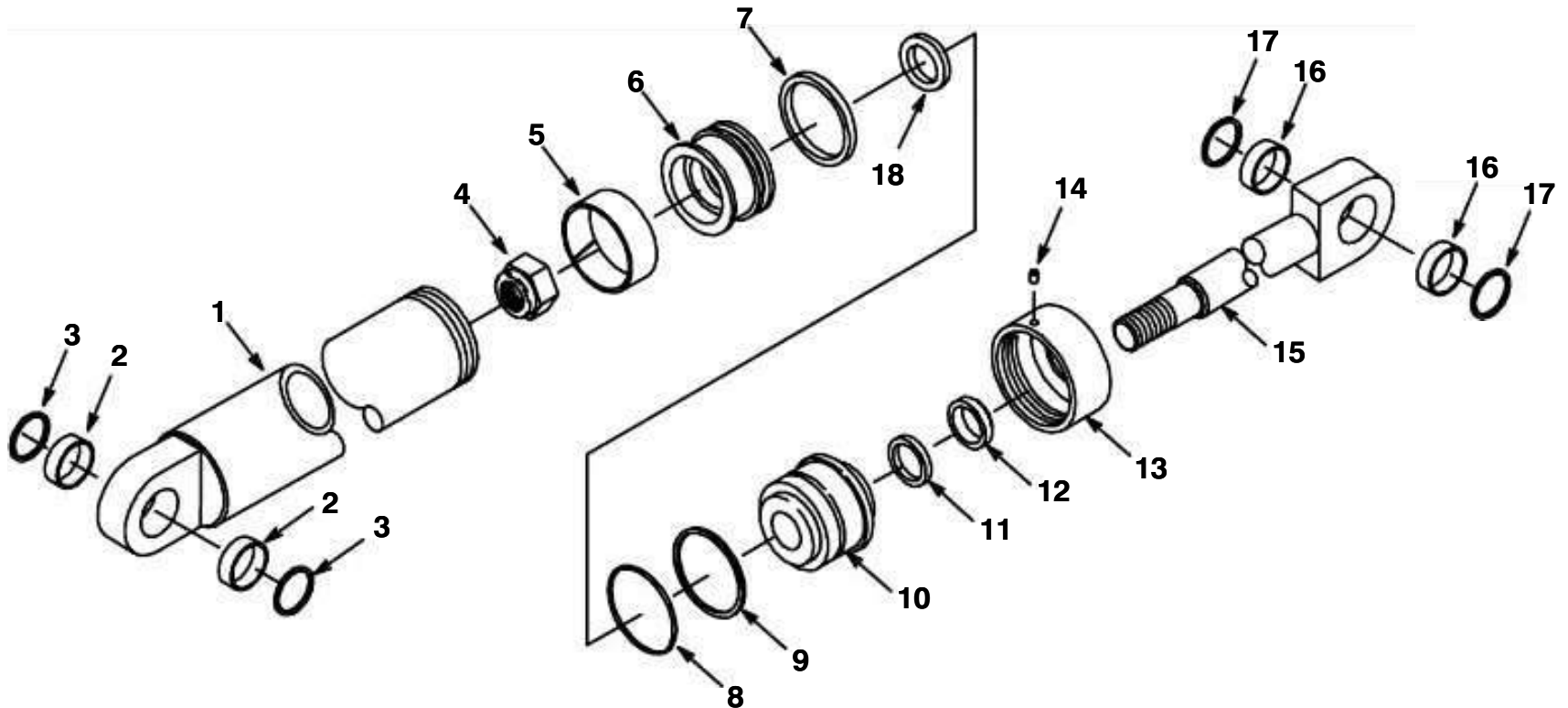
Revised 11/11/98



Hydraulic System  
**26-382**  
 Hydraulic Cylinder Assembly

# Taylor

MODEL OR SERIES	COMPONENT OR ASSEMBLY NUMBER		
See P. S. O.	I-1-26-1244	I-1-26-2519	I-1-26-3326
	I-1-26-1541	I-1-26-2438	
	I-1-26-2102	I-1-26-2918	



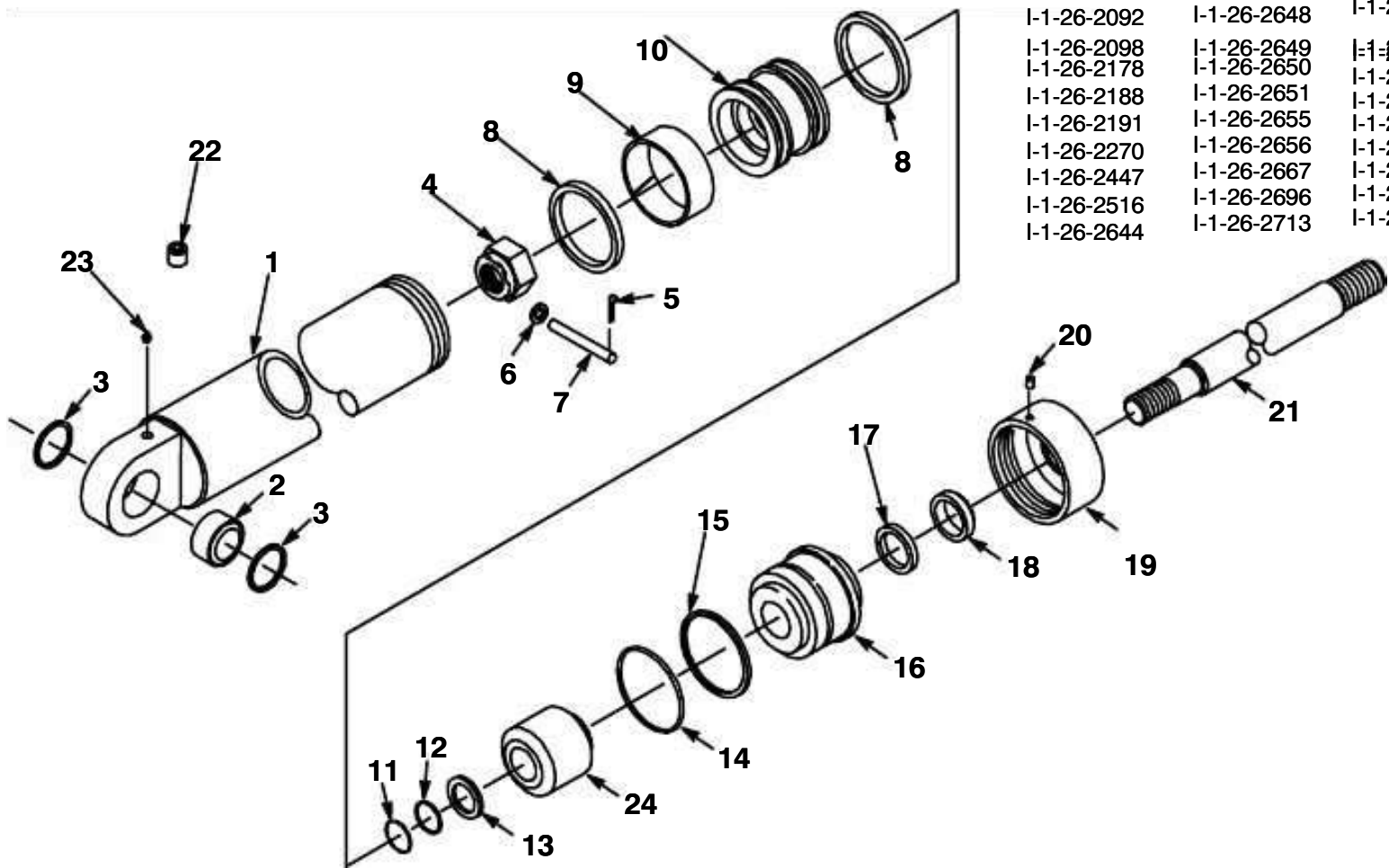
ITEM	PART NUMBER	DESCRIPTION	QTY.
	I-1-26-1244	HYDRAULIC CYLINDER ASSEMBLY, Complete (5-1/4" Bore x 6-1/2" Stroke)	
	I-1-26-1541	HYDRAULIC CYLINDER ASSEMBLY, Complete (5-1/4" Bore x 4" Stroke)	
	I-1-26-2102	HYDRAULIC CYLINDER ASSEMBLY, Complete (5-1/4" Bore x 6-1/2" Stroke)	
	I-1-26-2519	HYDRAULIC CYLINDER ASSEMBLY, Complete (5-1/4" Bore x 6-1/2" Stroke)	
	I-1-26-2438	HYDRAULIC CYLINDER ASSEMBLY, Complete (5-1/4" x 19" Stroke)	
	I-1-26-2918	HYDRAULIC CYLINDER ASSEMBLY, Complete (5-1/4" Bore x 20-3/4" Stroke)	
	I-1-26-3326	HYDRAULIC CYLINDER ASSEMBLY, Complete (5-1/4" Bore x 10" Stroke)	
1	I-1-26-1243	TUBING ASSEMBLY (For I-1-26-1244)	1
1A	I-1-26-1542	TUBING ASSEMBLY (For I-1-26-1541)	1
1B	I-1-26-2101	TUBING ASSEMBLY (For I-1-26-2102 & I-1-26-2519)	1
1C	I-1-26-2441	TUBING ASSEMBLY (For I-1-26-2438)	1
1D	I-1-26-3327	TUBING ASSEMBLY (For I-1-26-3326)	1
1E	I-1-26-2919	TUBING ASSEMBLY (For I-1-26-2918)	1
2	1980-085	RACE	2
3	2789-753	WIPER	2
4	1376-102	NUT, Piston Lock	1
5	*	RING, Wear, 5-1/4"	1
6	I-0-26-1143	PISTON, Hydraulic Cylinder (For I-1-26-1244, I-1-26-1541, I-1-26-2102, & I-1-26-2519)	1
6A	I-0-26-2562	PISTON, Hydraulic Cylinder (For I-1-26-2438, I-1-26-2918 & I-1-26-3326)	1
7	*	SEAL, Piston	1
8	*	O-RING	1
9	*	RING, Back-Up	1
10	I-0-26-1149	HEAD, Hydraulic Cylinder	1
11	*	SEAL, Rod	1
12	*	WIPER, Rod	1
13	I-0-26-1109	CAP, Hydraulic Cylinder	1
14	1222-100	SET SCREW, 1/4" - 28 NF x 1/4"	2



Hydraulic System  
**26-390**  
 Hydraulic Cylinder Assembly

# Taylor

MODEL OR SERIES	COMPONENT OR ASSEMBLY NUMBER
See P.S.O.	I-1-26-1498 I-1-26-2645 I-1-26-2740
	I-1-26-1830 I-1-26-2646 I-1-26-2943
	I-1-26-1980 I-1-26-2647 I-1-26-3057
	I-1-26-2092 I-1-26-2648 I-1-26-3172
	I-1-26-2098 I-1-26-2649 I-1-26-3214
	I-1-26-2178 I-1-26-2650 I-1-26-3233
	I-1-26-2188 I-1-26-2651 I-1-26-3261
	I-1-26-2191 I-1-26-2655 I-1-26-3318
	I-1-26-2270 I-1-26-2656 I-1-26-3319
	I-1-26-2447 I-1-26-2667 I-1-26-3320
	I-1-26-2516 I-1-26-2696 I-1-26-3321
	I-1-26-2644 I-1-26-2713 I-1-26-3634



ITEM	PART NUMBER	DESCRIPTION	QTY.
	See Above	HYDRAULIC CYLINDER ASSEMBLY, Complete	
1	I-1-26-1497	TUBING ASSEMBLY, Hydraulic (For I-1-26-1498 & 2655)	1
1A	I-1-26-1829	TUBING ASSEMBLY, Hydraulic (For I-1-26-1830 & 2656)	1
1B	I-1-26-1981	TUBING ASSEMBLY, Hydraulic (For I-1-26-1980 & 2667)	1
1C	I-1-26-2093	TUBING ASSEMBLY, Hydraulic (For I-1-26-2092, 2178, 2270, 2644, 2646, 2647, 3318, 3221, 3320, 3321 & 3634)	1
1D	I-1-26-2095	TUBING ASSEMBLY, Hydraulic (For I-1-26-2098, 2645, & 3319)	1
1E	I-1-26-2187	TUBING ASSEMBLY, Hydraulic (For I-1-26-2188 & 2651)	1
1F	I-1-26-2190	TUBING ASSEMBLY, Hydraulic (For I-1-26-2191 & 2649)	1
1G	I-1-26-2444	TUBING ASSEMBLY, Hydraulic (For I-1-26-2447 & 2650)	1
1H	I-1-26-2518	TUBING ASSEMBLY, Hydraulic (For I-1-26-2648 & 2516)	1
1I	I-1-26-2695	TUBING ASSEMBLY, Hydraulic (For I-1-26-2696)	1
1J	I-1-26-2714	TUBING ASSEMBLY, Hydraulic (For I-1-26-2713)	1
1K	I-1-26-2742	TUBING ASSEMBLY, Hydraulic (For I-1-26-2740)	1
1L	I-1-26-2943	TUBING ASSEMBLY, Hydraulic (For I-1-26-2943)	1
1M	I-1-26-3056	TUBING ASSEMBLY, Hydraulic (For I-1-26-3057)	1
1N	I-1-26-3173	TUBING ASSEMBLY, Hydraulic (For I-1-26-3172)	1
1O	I-1-26-3234	TUBING ASSEMBLY, Hydraulic (For I-1-26-3234)	1
1P	I-1-26-3211	TUBING ASSEMBLY, Hydraulic (For I-1-26-3212)	1

1Q	I-1-26-3260	TUBING ASSEMBLY, Hydraulic (For I-1-26-3217)	1
2	2007-200	BUSHING, Self-Aligning	1
3	3141-015	RING, Snap	2
4	1307-001	NUT, Piston	1
5	1453	PIN, Cotter	2
6	1420	FLATWASHER, 3/8"	2

Revised 3/18/04

Hydraulic System  
**26-390A**  
Hydraulic Cylinder Assembly

# Taylor

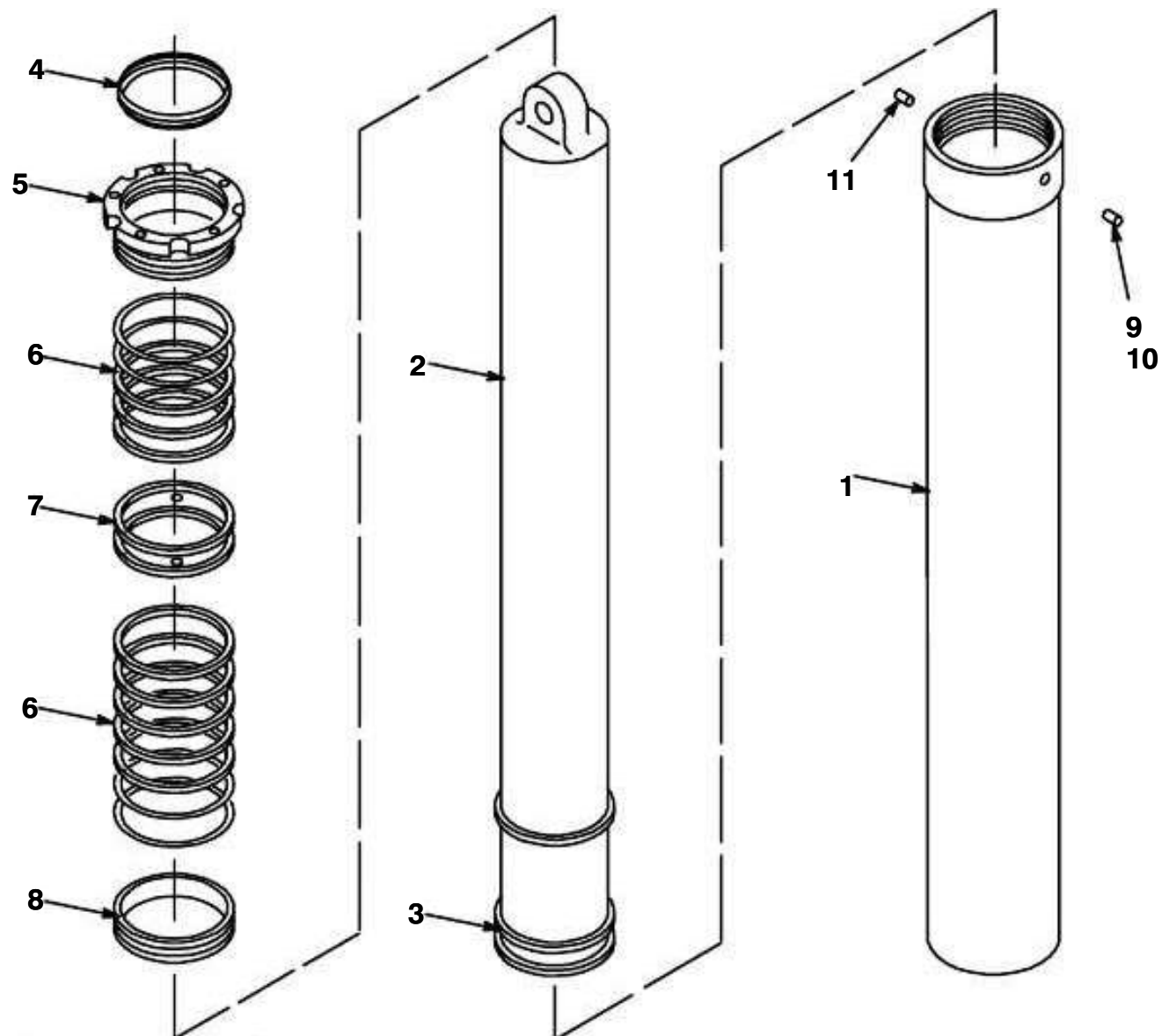
MODEL OR SERIES	COMPONENT OR ASSEMBLY NUMBER
See P.S.O.	

ITEM	PART NUMBER	DESCRIPTION	QTY.
7	I-0-90-0044	PIN, Nut Retainer (For I-1-26-1498, 1830, 1980, 2655, 2656, 2667 & 3057)	1
7A	2174-055	PIN, Drive (For I-1-26-2092, 2098, 2178, 2188, 2191, 2270, 2447, 2516, 2644, 2645, 2646, 2647, 2648, 2649, 2650, 2651, 2696, 2713, 2740, 2943, 3172, 3212, 3221, 3233, 3261, 3318, 3319, 3320, 3321 & 3634)	1
8	*	SEAL, Piston	2
9	*	RING, Piston Wear	1
10	I-0-26-1755	PISTON, Cylinder	1
11	*	O-RING	1
12	*	RING, Back-Up	1
13	I-0-26-1554	WASHER, Piston	1
14	*	O-RING	1
15	*	RING, Back-Up	1
16	I-0-26-1752	HEAD, Cylinder	1
17	*	SEAL, Rod	1
18	*	WIPER, Rod	1
19	I-0-26-1412	CAP, Cylinder	1
20	1232-100	SCREW, Set, 1/4" - 28 NF x 1-1/4"	2
21	I-0-26-2873	ROD, Cylinder (For I-1-26-2092, 2098, 2178, 2270, 2516, 2644, 2645, 2646, 2647, 2648, 3221, 3318, 3319, 3320, 3321 & 3634)	1
21A	I-0-26-2874	ROD, Cylinder (For I-1-26-2188, 2191, 2649, 2651 & 2713)	1
21B	I-0-26-2875	ROD, Cylinder (For I-1-26-2447 & 2650)	1
21C	I-0-26-2879	ROD, Cylinder (For I-1-26-1498 & 2655)	1
21D	I-0-26-2880	ROD, Cylinder (For I-1-26-1830, 2656 & 3057)	1
21E	I-0-26-2885	ROD, Cylinder (For I-1-26-1980 & 2667)	1
21F	I-0-26-2949	ROD, Cylinder (For I-1-26-2740)	1
21G	I-0-26-3167	ROD, Cylinder (For I-1-26-2943)	1
21H	I-0-26-3426	ROD, Cylinder (For I-1-26-3172)	1
21I	I-0-26-3486	ROD, Cylinder (For I-1-26-3233)	1
21J	I-0-26-3471	ROD, Cylinder (For I-1-26-3212)	1
21K	I-0-26-3452	ROD, Cylinder (For I-1-26-3261)	1
22	2789-917	PLUG (For I-1-26-1498 & 2655)	1
22A	2789-918	PLUG (For I-1-26-2092, 2098, 2178, 2188, 2191, 2270, 2447, 2516, 2644, 2645, 2646, 2647, 2648, 2649, 2650, 2651, 2696, 2713, 2943, 3172, 3212, 3261 & 3634)	1
22B	2789-925	PLUG (For I-1-26-3318, 3319, 3221, 3320 & 3321)	1
23	1686	FITTING, Grease, 1/8", St.	2
24	I-0-26-2331	SPACER, Cylinder (For I-1-26-2092, 2644 & 2696)	1
24A	I-0-26-2413	SPACER, Cylinder (For I-1-26-2178, 2646 & 3320)	1
24B	I-0-26-2423	SPACER, Cylinder (For I-1-26-2188 & 2651)	1
24C	I-0-26-2424	SPACER, Cylinder (For I-1-26-2191 & 2649)	1
24D	I-0-26-2536	SPACER, Cylinder (For I-1-26-2270, 2647, 3221, & 3321)	1
24E	I-0-26-2776	SPACER, Cylinder (For I-1-26-2648 & 2516)	1
24F	I-0-26-2922	SPACER, Cylinder (For I-1-26-2713)	1
24G	I-0-26-3835	SPACER, Cylinder (For I-1-26-3634)	1
*	5239-078	KIT Seal (Includes All Items Marked With *)	

Hydraulic System  
**26-430**  
 Hydraulic Cylinder Assembly

# Taylor

MODEL OR SERIES	COMPONENT OR ASSEMBLY NUMBER
C. S. & S. Series S81FC-1, S81FC-2, S81FC-3, S81FC-4 & S81FC-5	2770-037
	2772-342
	2772-348
	2772-349
	2772-350
	2772-352
	2772-354
	2772-355
	2772-356
	2772-359
2772-360	
2772-361	
2772-362	
2772-363	
2772-364	
2772-365	
2772-366	
2772-367	



ITEM	PART NUMBER	DESCRIPTION	QTY.
	See Above	HYDRAULIC CYLINDER ASSEMBLY, Complete	
1	N.S.S.	MAIN CYLINDER ASSEMBLY	1
2	N.S.S.	PLUNGER ASSEMBLY	1
3	5378-900*	RING, Bearing	1
4	5333-200*	RING, Wiper	1
5	5474-500	NUT, Packing	1
6	5294-010*	PACKING ASSEMBLY	1
7	5358-010	RING, Oil	1
8	5351-015	RING, Stop	1
9	5274-909	PLUG, Pipe, 1/8"	1
10	5522	RELEASE, Air, 1/8"	1
11	1232-100	SET SCREW	1

*	5275-013	PACKING KIT (Includes All Items Marked With *)	

Revised 8/14/98



<u>Functional Group</u>	<u>Section</u>
Mast Group .....	27
Carriage	
Miscellaneous Attachments :::::	28

**Attachments** 

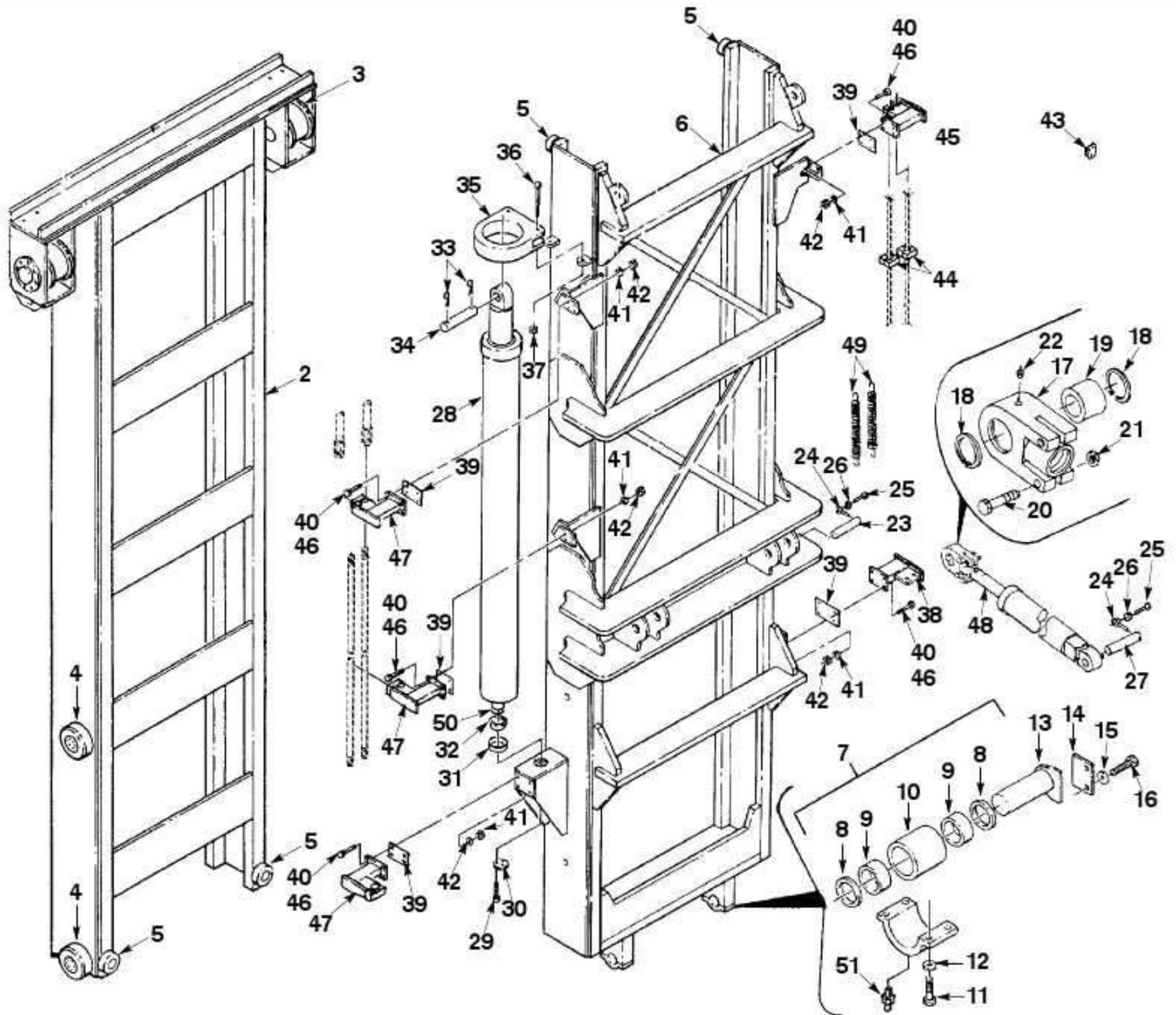




Attachments  
**27-058**  
 Mast Assembly

# Taylor

MODEL OR SERIES	COMPONENT OR ASSEMBLY NUMBER
TEC-920L & 950L, TEFC-950L	



ITEM	PART NUMBER	DESCRIPTION	QTY.
1	S.O.	MAST ASSEMBLY, Outer	1
2	S.O.	MAST ASSEMBLY, Inner	1
3	See P.S.O.	ROLLER ASSEMBLY, Chain	2
4	See P.S.O.	ROLLER ASSEMBLY, Chain	4
5	See P.S.O.	ROLLER ASSEMBLY, Thrust	4

6	See P.S.O.	ROLLER ASSEMBLY, Thrust Rear	2
7	I-1-17-3937	SLEEVE ASSEMBLY, Mast Hanger	2
8	2040-005	SEAL	2
9	1980-100	BEARING	2
10	I-0-17-3225	SLEEVE, Mast Hanger	1
11	1189-100	BOLT, 1" - 8 NC x 3-1/2"	8
12	1408	LOCKWASHER, 1"	8

Revised 1/5/07

Attachments  
**27-058A**  
Mast Assembly

# Taylor

MODEL OR SERIES	COMPONENT OR ASSEMBLY NUMBER
TEC-920L & 950L, TEFC-950L	

ITEM	PART NUMBER	DESCRIPTION	QTY.
13	I-1-92-5213	PIN, Mast (Used with I-1-04-0316, I-1-04-0437, & I-1-04-0477 Drive Axles)	2
13A	I-1-92-5214	PIN, Mast (Used with 2070-131 Drive Axles)	2
14	I-0-01-5007	CAP, Pin Keeper	2
15	6803-110	BOLT, 1/2" - 13 NC x 1-1/4"	4
16	1396	LOCKWASHER, 1/2"	4
17	I-1-26-2633	ROD EAR ASSEMBLY	2
18	3141-015	RING, Snap	2
19	2007-200	BUSHING, Rod Ear	1
20	1186-005	BOLT, 3/4" - 10 NC x 3-1/2"	2
21	1369	NUT, Lock, 3/4" NC	2
22	1686	FITTING, Grease, 1/8" St.	1
23	I-0-91-5075	PIN, Tilt Cylinder (For TEC-920L & 950L)	2
23A	I-0-91-5028	PIN, Tilt Cylinder (For TEFC-950L)	2
24	I-0-99-0035	LOCK, Pin	4
25	1183	BOLT, 3/4" - 10 NC x 1-1/2"	4
26	1402	LOCKWASHER, 3/4"	4
27	I-0-90-2077	PIN, Tilt Cylinder	2
28	See P.S.O.	LIFT CYLINDER ASSEMBLY	2
29	1174-010	BOLT, 5/8" - 11 NC x 1-3/4"	6
30	I-0-17-1597	CAP	2
31	1985-180	RACE, Outer	2
32	1985-190	RACE, Inner	2
33	1471	PIN, Cotter	4
34	I-0-90-2075	PIN, Lift Cylinder (For TEC-920L & 950L)	2
34A	I-0-90-5064	PIN, Lift Cylinder (For TEFC-950L)	2
35	I-1-17-6919	COLLAR, Lift Cylinder	2
36	1193-002	BOLT, 1-1/4" - 7 NC x 3-1/2"	4
37	3260-010	NUT, Lock, 1-1/4" NC	4
38	I-1-17-6973	ANCHOR, Bottom Cable (For TEC-920L & 950L with 1 Cable Roller)	1
38A	I-1-17-6976	ANCHOR, Bottom Cable (For TEC-920L & 950L with 2 Cable Rollers)	1
38B	I-1-17-7562	CLAMP, Pipe (For TEFC-950L)	1
39	I-0-17-6758	SHIM	AR
40	1181	BOLT, 5/8" - 11 NC x 3"	6
41	1399	LOCKWASHER, 5/8"	28
42	1324	NUT, 5/8" NC	8
43	I-0-18-6452	BRACKET, Spring	AR
44	2388-006	CLAMP, Pipe	2
45	I-1-17-6971	ANCHOR, Top Cable (For TEC-920L & 950L with 1 Roller)	2
45A	I-1-17-6975	ANCHOR, Top Cable (For TEC-920L & 950L with 2 Rollers)	2
45B	I-1-17-7562	CLAMP, Pipe (For TEFC-950L)	2
46	1174-010	BOLT, 5/8" - 11 NC x 1-3/4"	12
47	I-1-17-6972	CLAMP, Pipe (For TEC-920L & 950L)	3
47A	I-1-17-7753	CLAMP, Pipe Bottom (For TEFC-950L)	1
47B	I-1-17-7738	CLAMP, Pipe Top (For TEFC-950L)	2
48	See P.S.O.	CYLINDER, Tilt	2

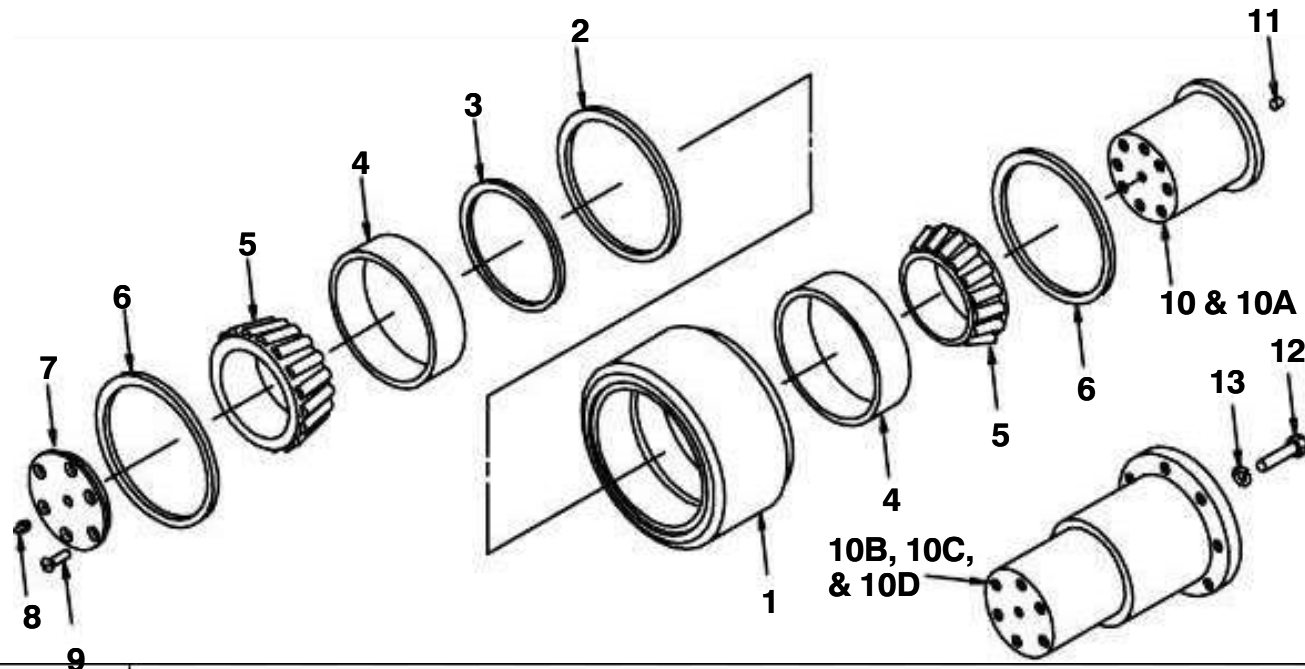



Revised 6/12/96

Attachments  
**27-310**  
 Main Roller Assembly

# Taylor

MODEL OR SERIES	COMPONENT OR ASSEMBLY NUMBER
See P.S.O.	I-1-17-1602 I-1-17-7624



ITEM	PART NUMBER	DESCRIPTION	QTY.
	I-1-17-1602	ROLLER ASSEMBLY, Complete	
	I-1-17-7624	ROLLER ASSEMBLY, Complete	
1	I-0-17-1689	ROLLER	1
1A	I-0-17-7660	ROLLER (Used w/I-1-17-7624)	1
2	3141-027	RING, Snap	1
3	I-0-17-1688	SPACER, Bearing	1
4	1938-110	CUP, Bearing	2
5	1938-115	CONE, Bearing	2
6	1749-088	SHIELD, Grease	2
7	I-0-17-1691	CAP, Stub Shaft	1
8	1686	FITTING, Grease, 1/8", St.	1
9	1270-195	BOLT, 5/8"-11NC x 1" Csk. Hex. Skt.	6
9A	1270-200	BOLT, 5/8"-11NC x 1-1/2" Csk. Hex. Skt.	6
10	I-0-18-3151	SHAFT, Stub (Carriage)	1
10A	I-0-17-1690	SHAFT, Stub (Mast)	1
10B	I-1-92-5003	SHAFT, Stub (Front Bottom of Carriage on TLS-1000)	1
10C	I-1-92-5004	SHAFT, Stub (Rear Top of Carriage on TLS-1000 w/ Rigid Mast)	1
10D	I-1-92-5059	SHAFT, Stub (Rear Top of Carriage on TLS-1000 w/ULTRA-VU Rigid Mast)	1
11	1477	PLUG, Pipe	1
12	1180	BOLT, 5/8"-11NC x 2-1/2" Gr. 8	6
13	1399	LOCKWASHER, 5/8"	6

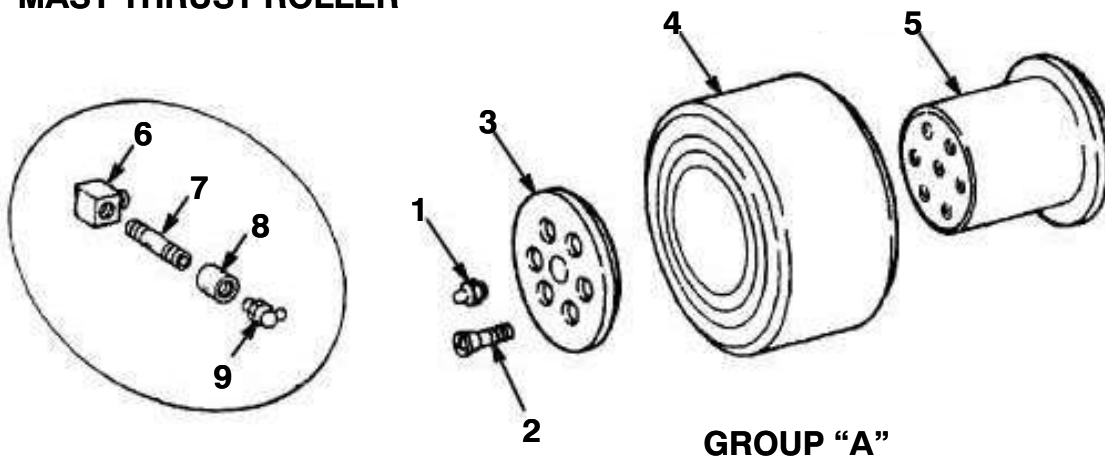

Revised 8/11/94

Attachments  
**27-412**  
Thrust and Side Rollers

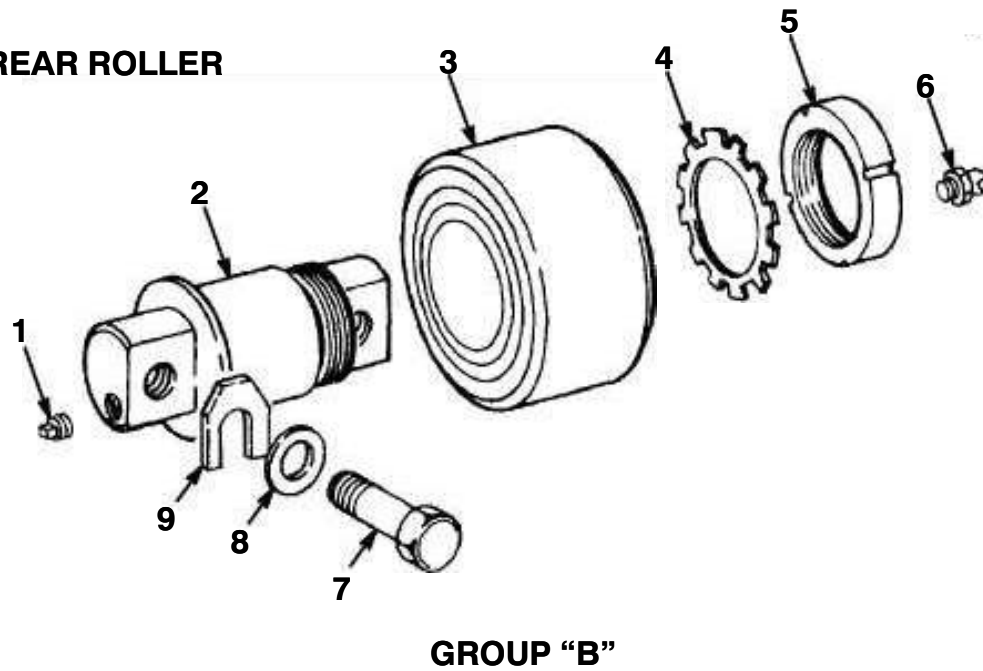
# Taylor

MODEL OR SERIES	COMPONENT OR ASSEMBLY NUMBER
TE-900S, TEC-920L & TEC-950L; TY-800 thru 1100; TETC-1100	

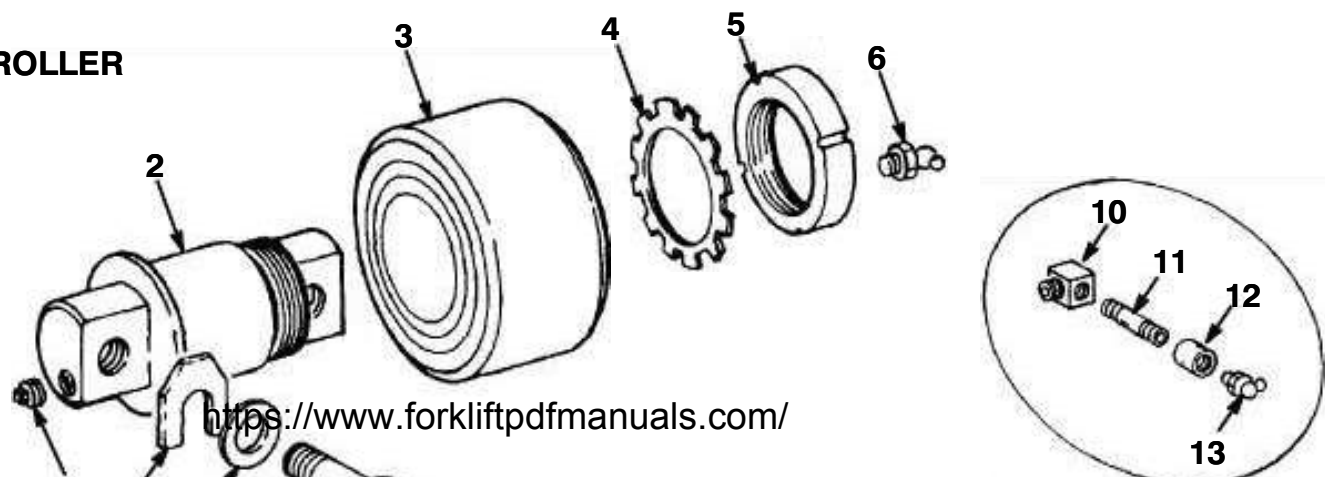
### MAST THRUST ROLLER



### MAST THRUST REAR ROLLER



### CARRIAGE SIDE ROLLER





**GROUP "C"**

Revised 5/14/08

Attachments  
**27-412A**  
 Thrust and Side Rollers

**Taylor**

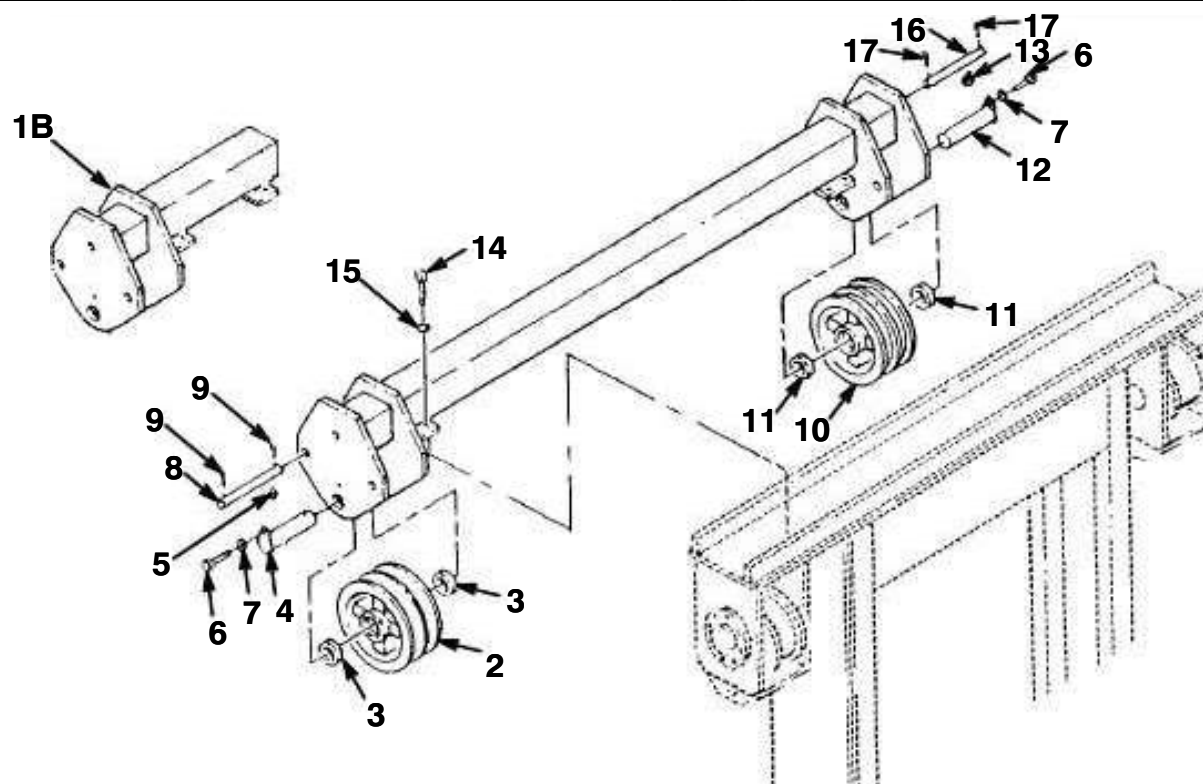
MODEL OR SERIES		COMPONENT OR ASSEMBLY NUMBER	
TE-900S, TEC-920L & TEC-950L; TY-800 thru 1100; TETC-1100			
ITEM	PART NUMBER	DESCRIPTION	QTY.
Group "A"			
1	1686	FITTING, Grease, 1/8" St.	1
2	1271-075	BOLT, 1/2" - 13 NC x 1" Skt.	6
3	I-0-17-1776	CAP, Stub Shaft	1
4	I-1-17-1779	ROLLER ASSEMBLY (6-7/8" O.D. x 3-11/32" I.D. x 2-3/4" Wide)	1
5	I-0-17-1773	SHAFT, Stub	1
5A	I-0-17-5482	SHAFT, Stub (For TETC-1100)	1
6	1679	FITTING, 1/8", 90°	1
7	I-0-18-9049	EXTENSION, Grease Fitting	1
8	7118	COUPLING, 1/8"	1
9	1689-001	FITTING, Grease, 1/8", 90°	1
Group "B"			
1	1477	PLUG, Pipe, 1/8"	1
2	I-0-17-2281	SHAFT, Roller	1
3	I-1-17-2351	ROLLER ASSEMBLY (5-3/8" O.D. x 2-3/4" I.D. x 2-5/16" Wide)	1
4	1983-006	WASHER, Lock	1
5	1983-001	NUT, Lock	1
6	1689	FITTING, Grease, 1/8" x 45°	1
7	1092	BOLT, 3/4" - 16 NF x 2-3/4"	2
7A	1092-050	BOLT, 3/4" - 16 NF x 3-1/2" (For TY, TYTC-1100 & TETC-1100)	2
8	1402	WASHER, Lock, 3/4"	2
9	I-0-18-6100	SHIM, 10 Ga.	AR
9A	I-0-18-6101	SHIM, 16 Ga.	AR
Group "C"			
1	1477	PLUG, Pipe, 1/8"	1
2	I-0-17-2020	SHAFT, Side Roller	1
2A	I-0-17-5285	SHAFT, Side Roller (For TE-900S Only)	1
3	I-1-17-1779	ROLLER ASSEMBLY (6-7/8" O.D. x 3-11/32" I.D. x 2-3/4" Wide)	1
4	1983-003	WASHER	1
5	1983-002	NUT	1
6	1689	FITTING, Grease, 1/8" x 45°	1
7	1101-007	BOLT, 1" - 14 NF x 3-1/2" Gr.8	2
7A	1189-150	BOLT, 1" - 14 NF x 6" Gr.8	2
8	1408	WASHER, Lock, 1"	2
9	I-0-18-4585	SHIM, 16 Ga.	AR
9A	I-0-18-4586	SHIM, 10 Ga.	AR
9B	I-0-19-5818	SHIM	AR
10	1679	FITTING, 1/8", 90°	1
11	I-0-18-9049	EXTENSION, Grease Fitting	1
12	7118	COUPLING, 1/8"	1
13	1689-001	FITTING, Grease, 1/8", 90°	1



Attachments  
**27-613**  
 Hose And Cable Roller

# Taylor

MODEL OR SERIES	COMPONENT OR ASSEMBLY NUMBER
TEC-920L & TEC-950L	



29-2508  
 29-2509  
 29-2757  
 29-2970  
 29-2752

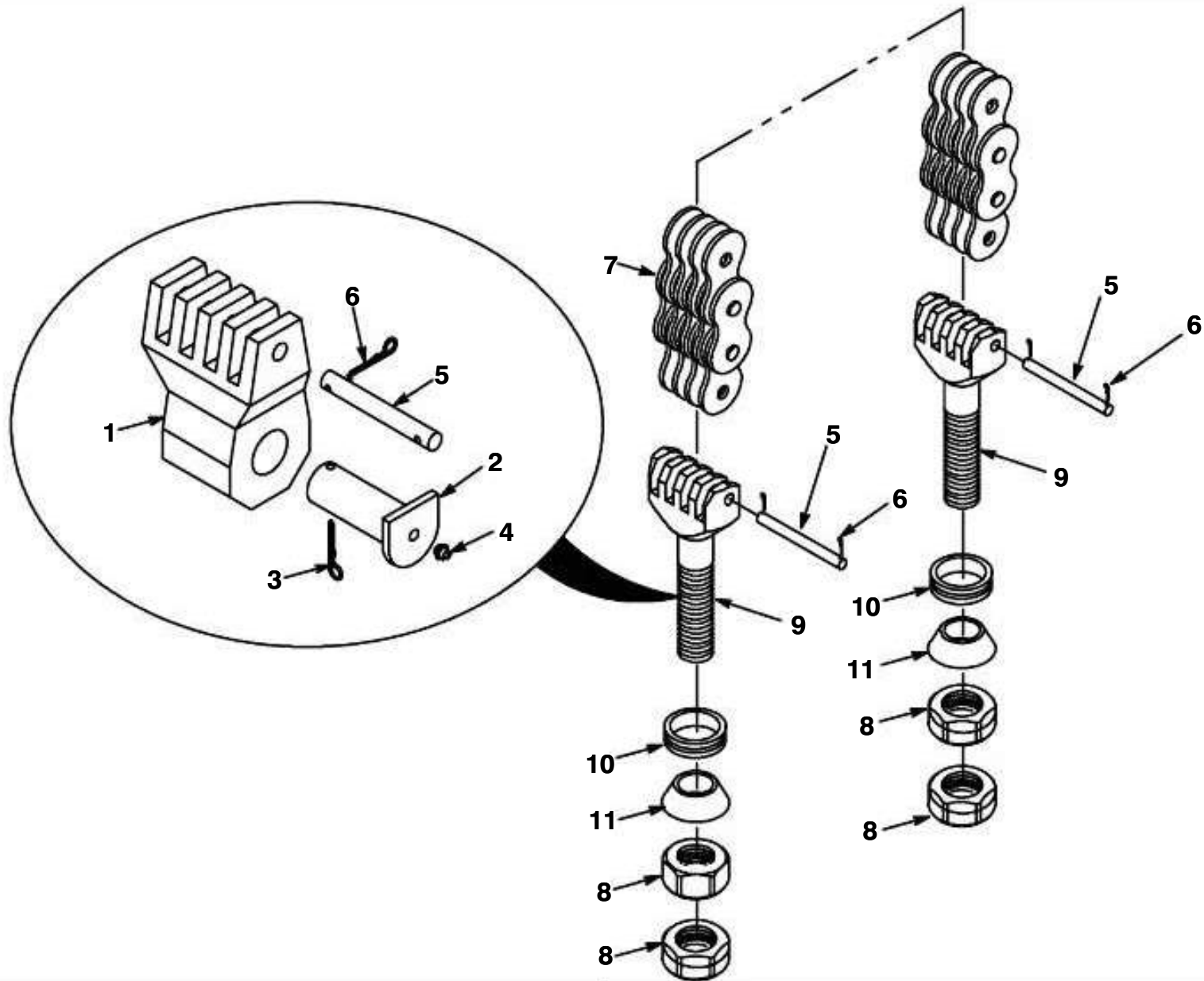
ITEM	PART NUMBER	DESCRIPTION	QTY.
1	I-1-17-6986	ROLLER MOUNT ASSEMBLY, Short (For 1 Cable Roller)	1
1A	I-1-17-6983	ROLLER MOUNT ASSEMBLY, Long (For 2 Cable Rollers)	1
1B	I-1-17-8001	ROLLER MOUNT ASSEMBLY, Short (For 1 Cable Roller)	2
2	I-0-17-6648	ROLLER, Hose	1
3	1926-210	BEARING	2
4	I-1-17-6896	PIN ASSEMBLY	1
5	1689	FITTING, Grease	1
5A	1477	PLUG, 1/8"	1
6	6803	BOLT, 1/2" - 13 NC x 1"	2
7	1396	LOCKWASHER, 1/2"	2
8	I-0-17-6613	ROD, Short Guard	3
9	1462	PIN, Cotter 3/16" x 2"	6
10	I-0-17-6647	ROLLER, Cable	AR
11	1926-210	BEARING	AR
12	I-1-17-6896	PIN ASSEMBLY (For 1 Cable Roller)	1
12A	I-1-17-6897	PIN ASSEMBLY (For 2 Cable Rollers)	1
13	1689	FITTING, Grease	1
14	1174	BOLT, 5/8" - 11 NC x 1-1/2"	4
15	1399	LOCKWASHER, 5/8"	4
16	I-0-17-6613	ROD, Short Guard (For 1 Cable Roller)	3
16A	I-0-17-6611	ROD, Long Guard (For 2 Cable Rollers)	3
17	1462	PIN, Cotter, 3/16" x 2"	6


Revised 8/2/00

Attachments  
**27-718**  
 Lift Chain and Attaching Parts

# Taylor

MODEL OR SERIES	COMPONENT OR ASSEMBLY NUMBER	
See P. S. O.	BL-1688	3219-075



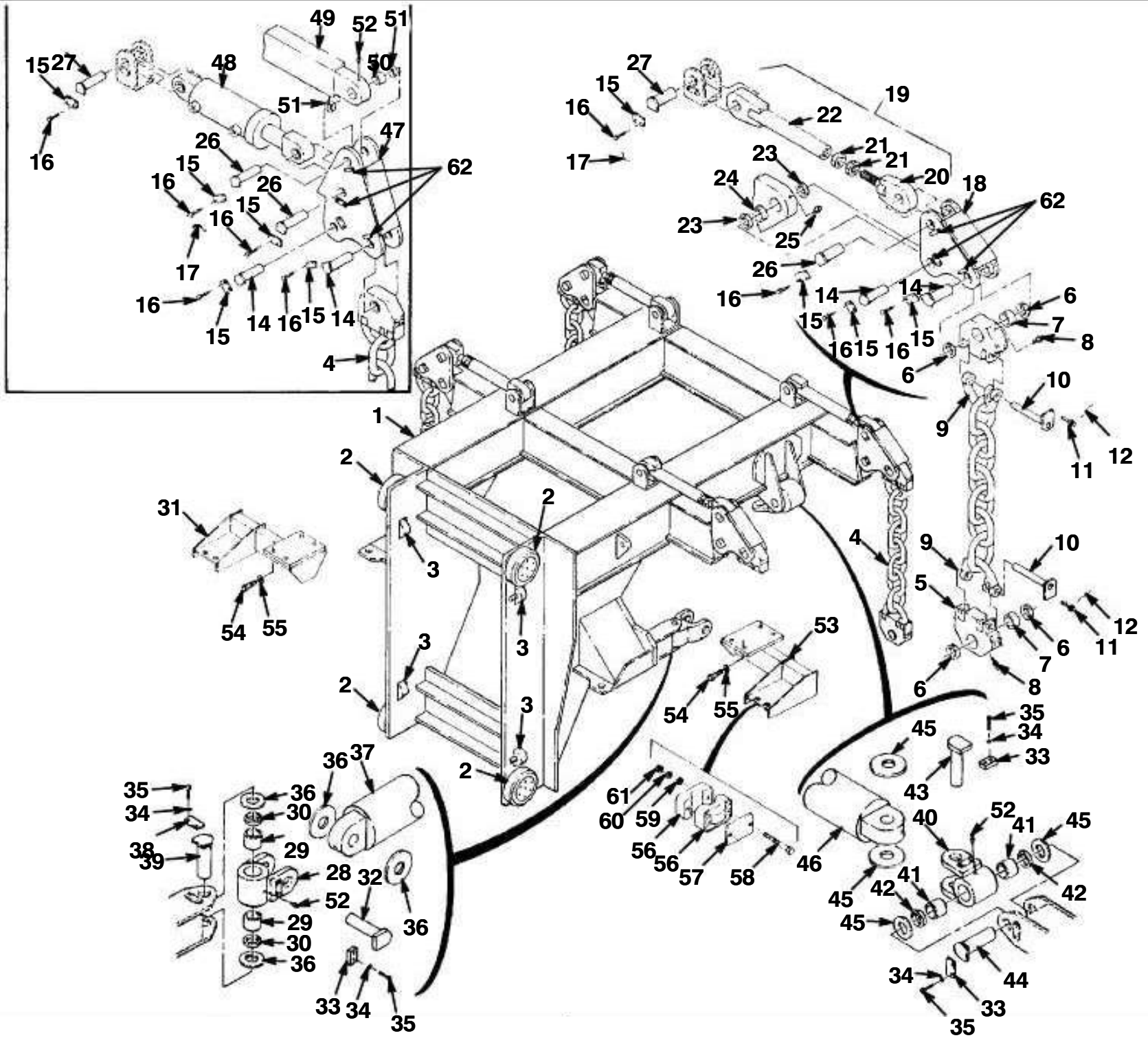
ITEM	PART NUMBER	DESCRIPTION	QTY.
1	I-0-17-3173	ANCHOR, Mast Chain (Y-80WO & Y-85WOC)	2
2	I-1-92-1001	PIN, Mast Chain Anchor (Y-80WO & Y-85WOC)	2
3	1465	PIN, Cotter, 1/4" x 2-1/2" (Y-80WO & Y-85WOC)	2
4	1686	FITTING, Grease, 1/8" St. (Y-80WO & Y-85WOC)	2
5	I-0-91-0005	PIN, Chain Anchor	4
6	1462	PIN, Cotter, 3/16" x 1-1/2"	8
7	3219-075	CHAIN, BL-1688 (Pitch 2", Width 4-3/4")	AR
8	1306-950	NUT, 2" - 12 UN-2A	AR
9	I-0-18-6400	ANCHOR, Chain	AR
9A	I-0-18-9158	ANCHOR, Chain (TEC-920L & TEC-950L; TELS-800; TLS-900; TE-800S thru 925S; TE-800L; TYTC-950 & 1100)	AR
10	1985-150	BEARING, Thrust, Outer	AR
11	1985-175	BEARING, Thrust, Inner	AR


Revised 3/1/99

Attachments  
**29-416-1**  
 Container Carriage And Attaching Parts

# Taylor

MODEL OR SERIES	COMPONENT OR ASSEMBLY NUMBER
2040 TPA	



ITEM	PART NUMBER	DESCRIPTION	QTY.
1	S.O.	CONTAINER CARRIAGE ASSEMBLY	1
2	I-1-17-7624	ROLLER, Main	4
3	I-1-17-1779	ROLLER, Side	4
4	I-1-18-4990	HANGER CHAIN ASSEMBLY	4
5	I-0-19-2167	PLATE, Chain Connector	2
6	2789-300	WIPER, Rod	4

7	1980-091	RACE, Inner	2
8	1689	FITTING, Grease	2
9	3260-829	LINK	1
10	I-1-92-1113	PIN, Chain Connector Pivot	2
11	I-0-19-2172	BOLT, 3/8" - 16 NC, Tiewire	4
12	1734	WIRE, Lock	AR
13	I-0-19-2173	CHAIN, Hanger	1

Revised 8/2/00

Attachments  
**29-416-1A**  
 Container Carriage And Attaching Parts

# Taylor

MODEL OR SERIES	COMPONENT OR ASSEMBLY NUMBER
2040 TPA	

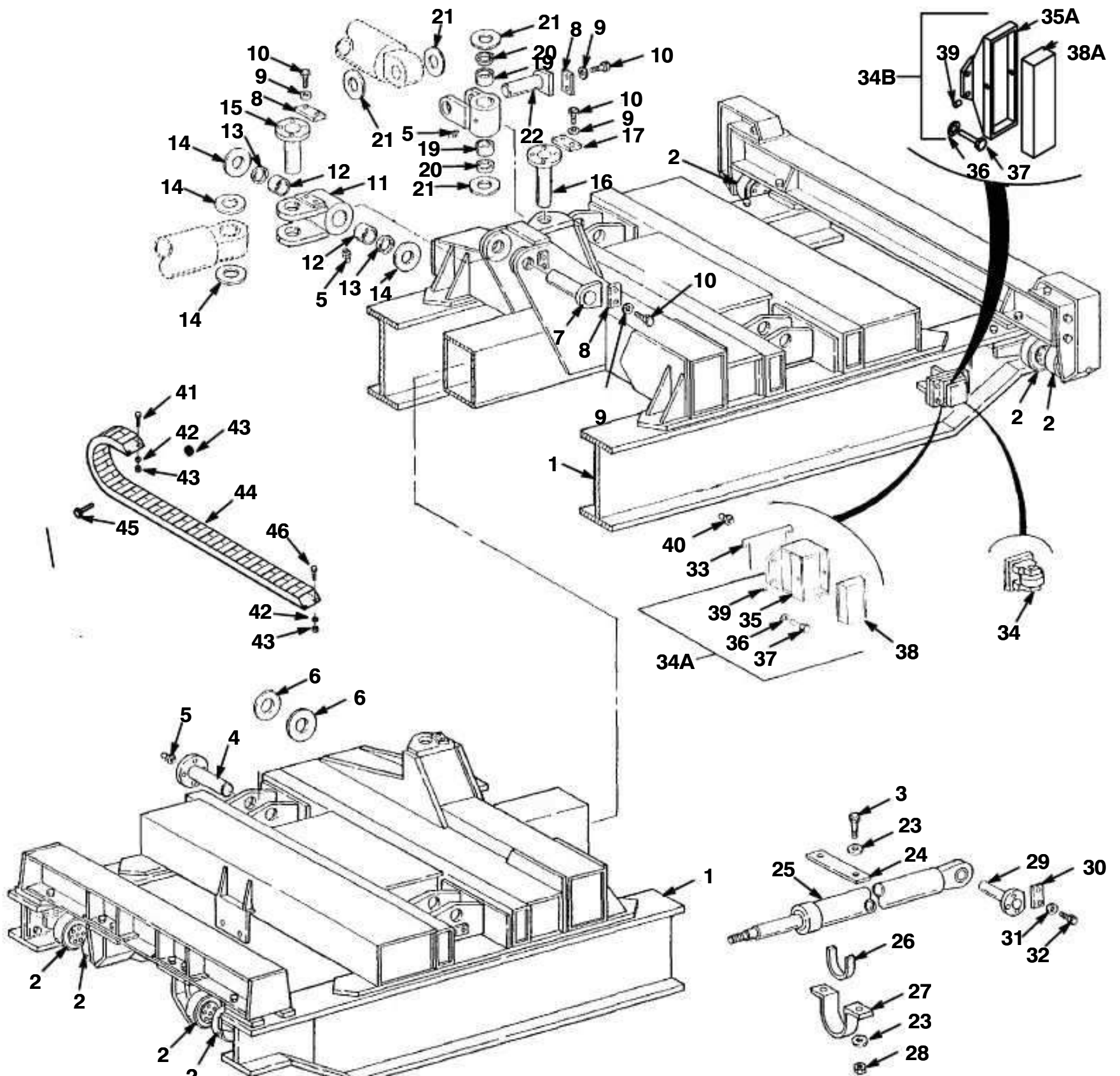
ITEM	PART NUMBER	DESCRIPTION	QTY.
14	I-1-92-2053	PIN	8
15	I-0-19-2050	LOCK, Pin	AR
16	I-0-19-2184	BOLT, Pin Lock, 7/16"	AR
17	1734	WIRE, Lock	AR
18	I-1-18-4992	BRACKET, No Pile Slope	4
19	I-1-36-0806	LINK, No Pile Slope	4
20	I-1-36-0805	EAR, Link	1
21	1350-100	NUT, Jam, 1-3/4" NF	2
22	I-1-36-0804	TUBING, Link	1
23	2789-300	WIPER, Rod	16
24	1980-091	RACE	8
25	1689-001	FITTING, Grease, 1/8", 90°	4
26	I-1-92-2054	PIN	AR
27	I-1-92-2055	PIN	4
28	I-1-36-0514	U-JOINT, Slew Cylinder	2
29	1980-085	BEARING	2
30	2789-753	SEAL	2
31	I-1-18-5112	BRACKET, Dead End, 18-3/4" Lg.	1
31A	I-1-18-5986	BRACKET, Dead End, 18-3/8" Lg.	1
31B	I-1-18-5883	BRACKET, Dead End, 20-1/4'	1
32	I-1-92-1048	PIN, Slew Cylinder	2
33	I-0-36-0756	LOCK, Pin	4
34	1396	LOCKWASHER, 1/2"	20
35	6803	BOLT, 1/2" - 13 NC x 1"	12
36	1749-281	SHIM	AR
36A	1749-280	SHIM	AR
37	See P.S.O.	CYLINDER ASSEMBLY, Slew	2
38	I-0-36-0703	LOCK, Pin	2
39	I-1-92-2021	PIN, Slew Cylinder U-Joint	2
40	I-1-36-0545	U-JOINT, Side Shift Cylinder	1
41	1980-093	BEARING	2
42	2789-754	SEAL	2
43	I-1-92-2019	PIN, Side Shift Cylinder	1
44	I-1-92-2020	PIN, Side Shift Cylinder U-Joint	1
45	1749-227	SHIM, 16 Ga.	AR
45A	1749-223	SHIM, 10 Ga.	2
46	See P.S.O.	CYLINDER ASSEMBLY, Side Shift	1
47	I-1-18-4938	BRACKET, Pile Slope	4
48	See P.S.O.	CYLINDER ASSEMBLY, Pile Slope	4
49	I-1-18-4947	LINK, Pile Slope Tie	2
50	1980-085	RACE, Steel	2
51	2789-753	WIPER, Rod	4
52	1686	FITTING, Grease, 1/8", St.	4
53	I-1-18-5111	BRACKET, Dead End, 18-3/4" Lg.	1
53A	I-1-18-5110	BRACKET, Dead End, 18-3/4" Lg.	1
53B	I-1-18-5987	BRACKET, Dead End, 18-3/4" Lg.	1



Attachments  
**29-416-2**  
 Center Frame Assembly

# Taylor

MODEL OR SERIES	COMPONENT OR ASSEMBLY NUMBER
2040 TPA	



ITEM	PART NUMBER	DESCRIPTION	QTY
------	-------------	-------------	-----



ITEM	PART NUMBER	DESCRIPTION	QTY.
1	S.O.	CENTER FRAME ASSEMBLY	1
2	I-1-17-1779	ROLLER ASSEMBLY, Main	8
3	1183-002	BOLT, 3/4" - 10 NC x 2-1/2"	4
4	I-1-92-2022	PIN, Pivot Link Yoke	4
5	1686	FITTING, Grease, 1/8", St.	23
6	1749-282	SHIM	AR

Revised 8/2/00

Attachments  
**29-416-2A**  
Center Frame Assembly

# Taylor

MODEL OR SERIES	COMPONENT OR ASSEMBLY NUMBER
2040 TPA	

ITEM	PART NUMBER	DESCRIPTION	QTY.
6A	1749-283	SHIM	AR
7	I-1-92-2020	PIN, Side Shift Cylinder U-Joint	1
8	I-0-36-0756	CAP, Pin Lock	4
9	1396	WASHER, Lock, 1/2"	20
10	6803	BOLT, 1/2" - 13 NC x 1"	20
11	I-1-36-0545	U-JOINT, Side Shift Cylinder	1
12	1980-093	BEARING	1
13	2789-754	SEAL	2
14	1749-223	SHIM	AR
14A	1749-227	SHIM	AR
15	I-1-92-2019	PIN, Side Shift Cylinder	1
16	I-1-92-2021	PIN, Slew Cylinder U-Joint	2
17	I-0-36-0703	CAP, Pin Lock	6
18	I-1-36-0514	U-JOINT, Slew Cylinder	2
19	1980-085	BEARING	2
20	2789-753	SEAL	2
21	1749-280	SHIM	AR
21A	1749-281	SHIM	AR
22	I-1-92-1048	PIN, Slew Cylinder	2
23	1432-500	WASHER, Hardened, 3/4"	8
24	I-0-36-0544	MOUNT, Extension Cylinder	2
25	See P.S.O.	CYLINDER ASSEMBLY, Extension	2
26	I-0-36-0781	SHIM, 12 Ga.	AR
26A	I-0-36-0782	SHIM, 16 Ga.	AR
26B	I-0-36-0783	SHIM, 20 Ga.	AR
27	I-1-36-0512	STRAP, Cylinder Mount	2
28	1327	NUT, 3/4" NC	4
29	I-1-92-1046	PIN, Extension Cylinder	2
30	I-0-42-6102	CAP, Pin Lock	2
31	1384	WASHER, Lock, 3/8"	4
32	1120	BOLT, 3/8" - 16 NC x 3/4"	4
33	I-0-36-0593	SHIM, 16 Ga.	AR
33A	I-0-36-0594	SHIM, 12 GA.	AR
33B	I-0-36-1265	SHIM, 7 Ga.	AR
34	I-1-17-2785	SIDE ROLLER ASSEMBLY	4
34A	I-1-98-0536	WEAR PAD AND MOUNT ASSEMBLY, 6" Lg.	AR
34B	I-1-98-0856	WEAR PAD AND MOUNT ASSEMBLY, 12-3/4" Lg.	AR
35	I-1-17-7979	MOUNT, Wear Pad (For I-1-98-0536)	1
35A	I-1-17-9581	MOUNT, Wear Pad (For I-1-98-0856)	1
36	1430	WASHER, Hard, 5/8"	4
37	6816	BOLT, 5/8" - 11 NC x 1-3/4"	4
38	3252-024	PAD, Wear (For I-1-98-0536)	1
38A	3252-041	PAD, Wear (For I-1-98-0856)	1
39	2174-050	PIN, Drive	2

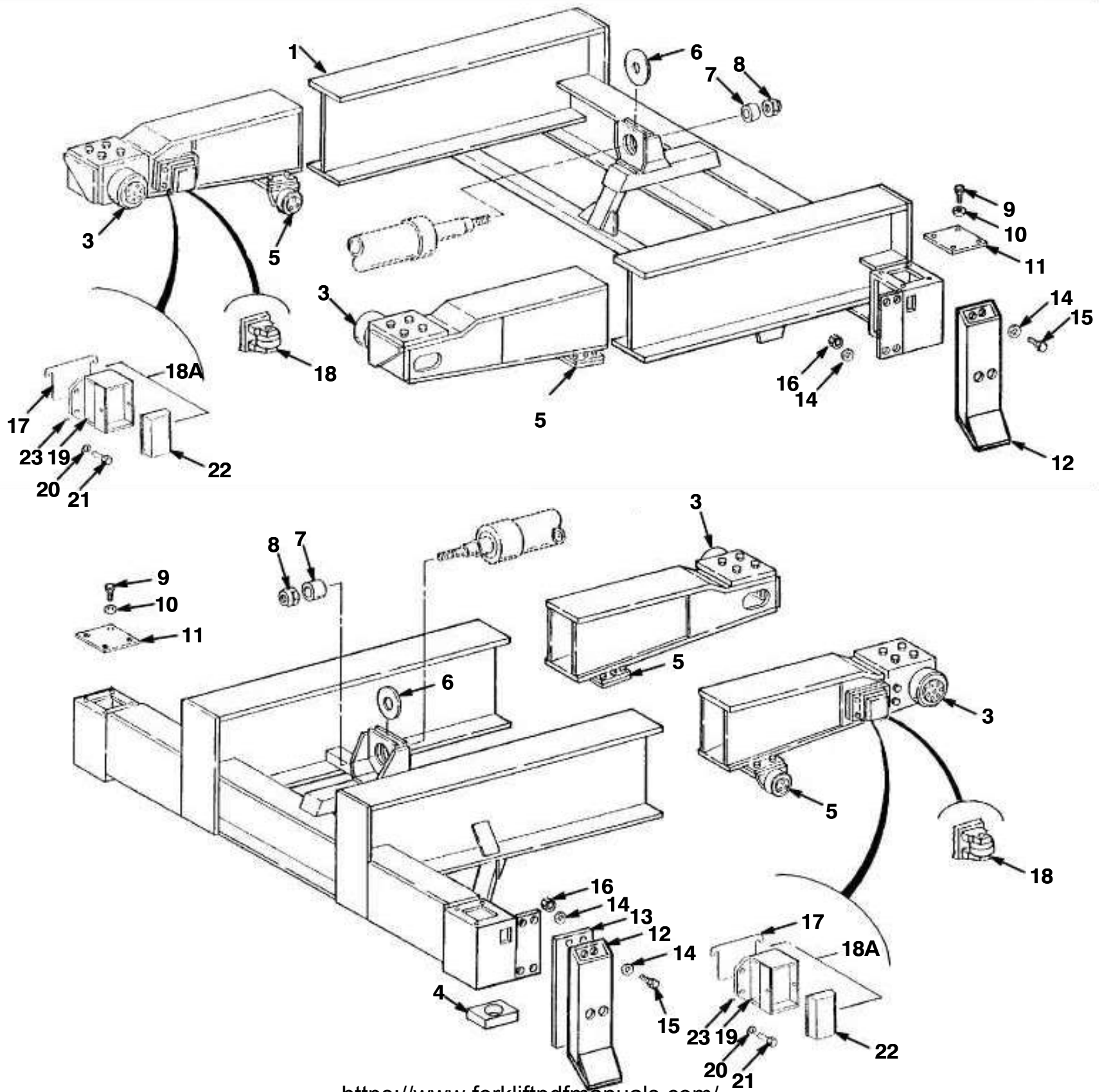
40	1689-001	FITTING, Grease, 90	4
41	1231-006	BOLT, Stove, 1/4" x 1/2"	4
42	1414	FLATWASHER, 1/4"	12
43	1309-001	NUT, Lock, 1/4"	8
44	3260-770	POWER TRAK	2
45	1111-105	BOLT, 1/4" - 20 NC x 2-1/2"	4
46	1264-300	BOLT, 1/4" - 20 NC x 5/8"	4

Revised 8/2/00

Attachments  
**29-416-3**  
 Extension Frames And Attaching Parts

# Taylor

MODEL OR SERIES	COMPONENT OR ASSEMBLY NUMBER
2040 TPA	



<https://www.forkliftpdfmanuals.com/>

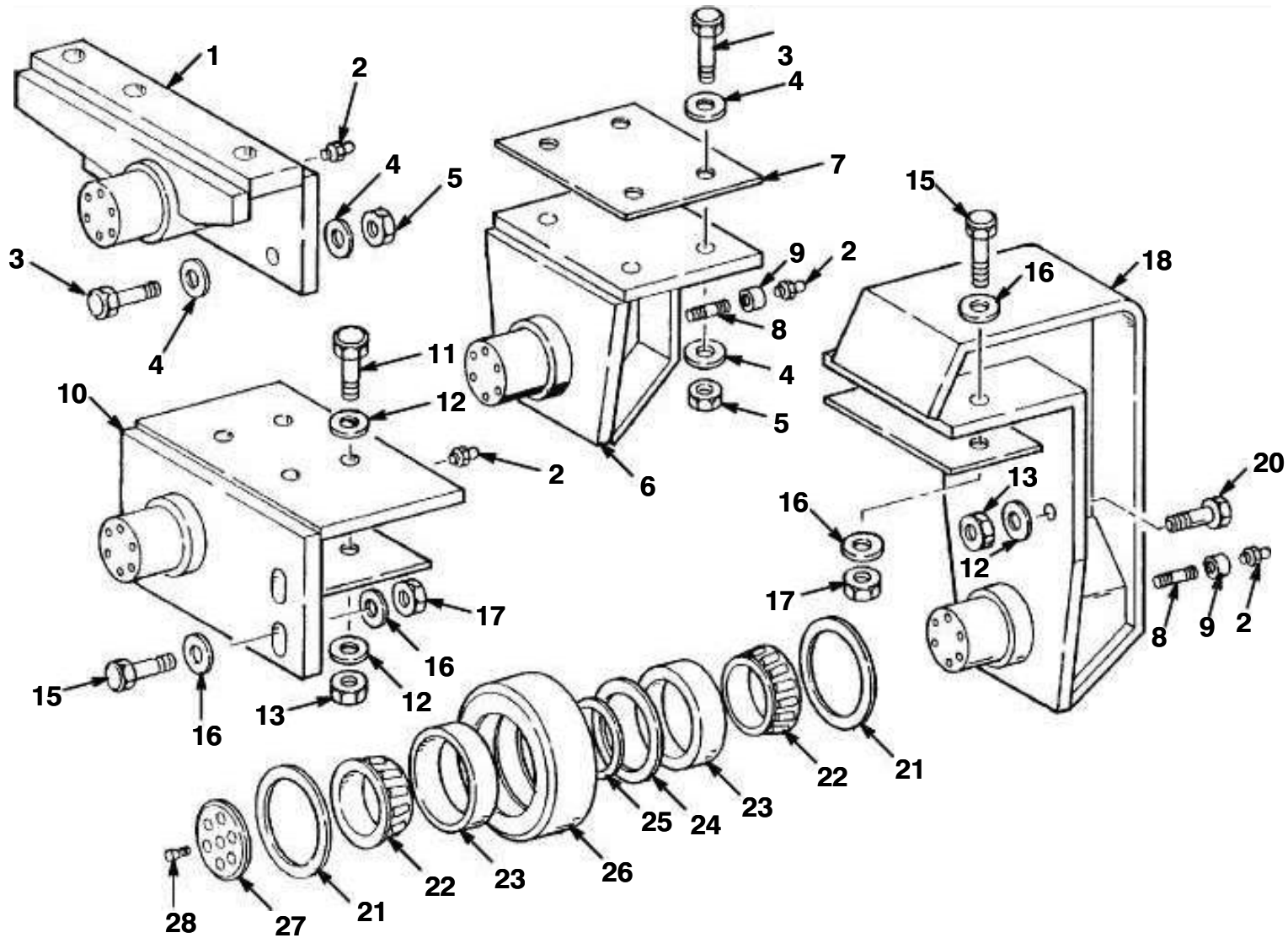
ITEM	PART NUMBER	DESCRIPTION	QTY.
------	-------------	-------------	------



Attachments  
**29-416-4**  
 Main Roller Assembly

# Taylor

MODEL OR SERIES	COMPONENT OR ASSEMBLY NUMBER
2040 TPA	



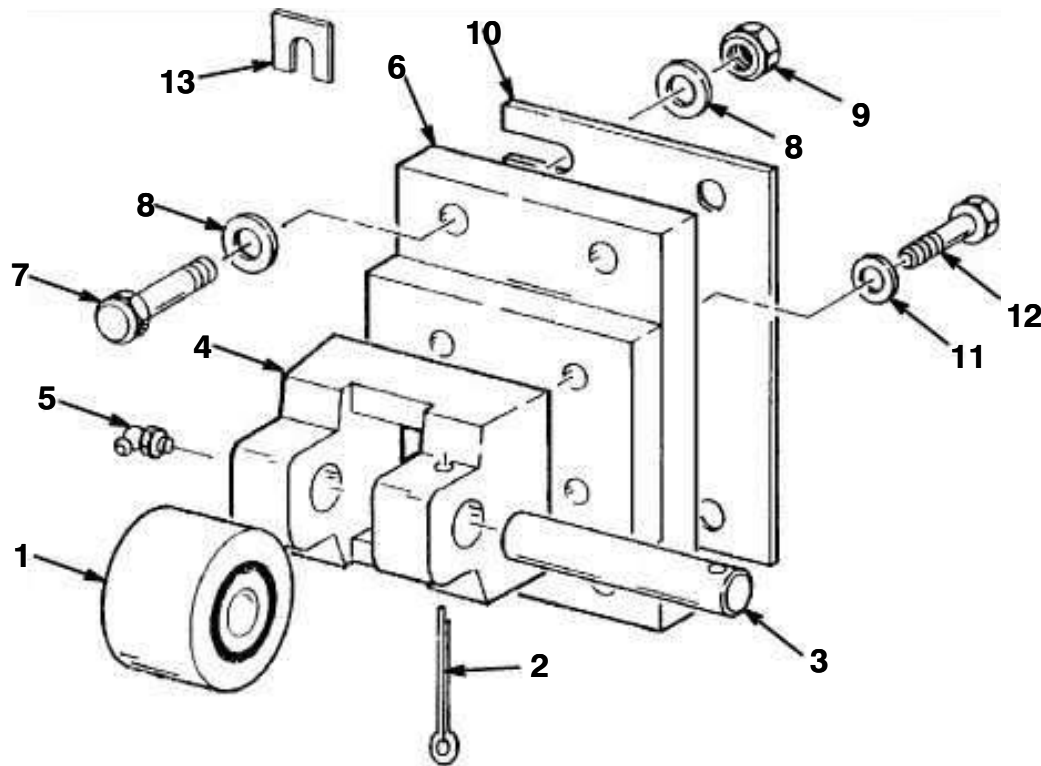
ITEM	PART NUMBER	DESCRIPTION	QTY.
1	I-1-36-0505	MOUNT, Roller, Left Front-Right Rear	1
1A	I-1-36-0504	MOUNT, Roller, Right Front-Left Rear	1
2	1686	FITTING, Grease, 1/8", St.	AR
3	1101-009	BOLT, 1" - 8 NC x 1-1/2" Gr.8	AR
3A	1103	BOLT, 1" - 14 UNS x 3" Gr.8	AR
3B	1101-007	BOLT, 1" - 14 UNS x 3-1/2" Gr.8	AR
3C	1101-008	BOLT, 1" - 14 UNS x 5-1/4" Gr.8	AR
4	1432-105	WASHER, Hardened, 1"	AR
5	1300	NUT, 1" UNS	AR
6	I-1-36-0520	MOUNT, Inner Roller	1
7	I-0-36-0595	SHIM, 7 Ga.	AR
7A	I-0-36-0596	SHIM, 12 Ga.	AR
7B	I-0-36-0597	SHIM, 16 Ga.	AR
8	1665-100	NIPPLE, Pipe, 1/8" x 2"	1



Attachments  
**29-416-5**  
 Side Roller Assembly

# Taylor

MODEL OR SERIES	COMPONENT OR ASSEMBLY NUMBER
2040 TPA	

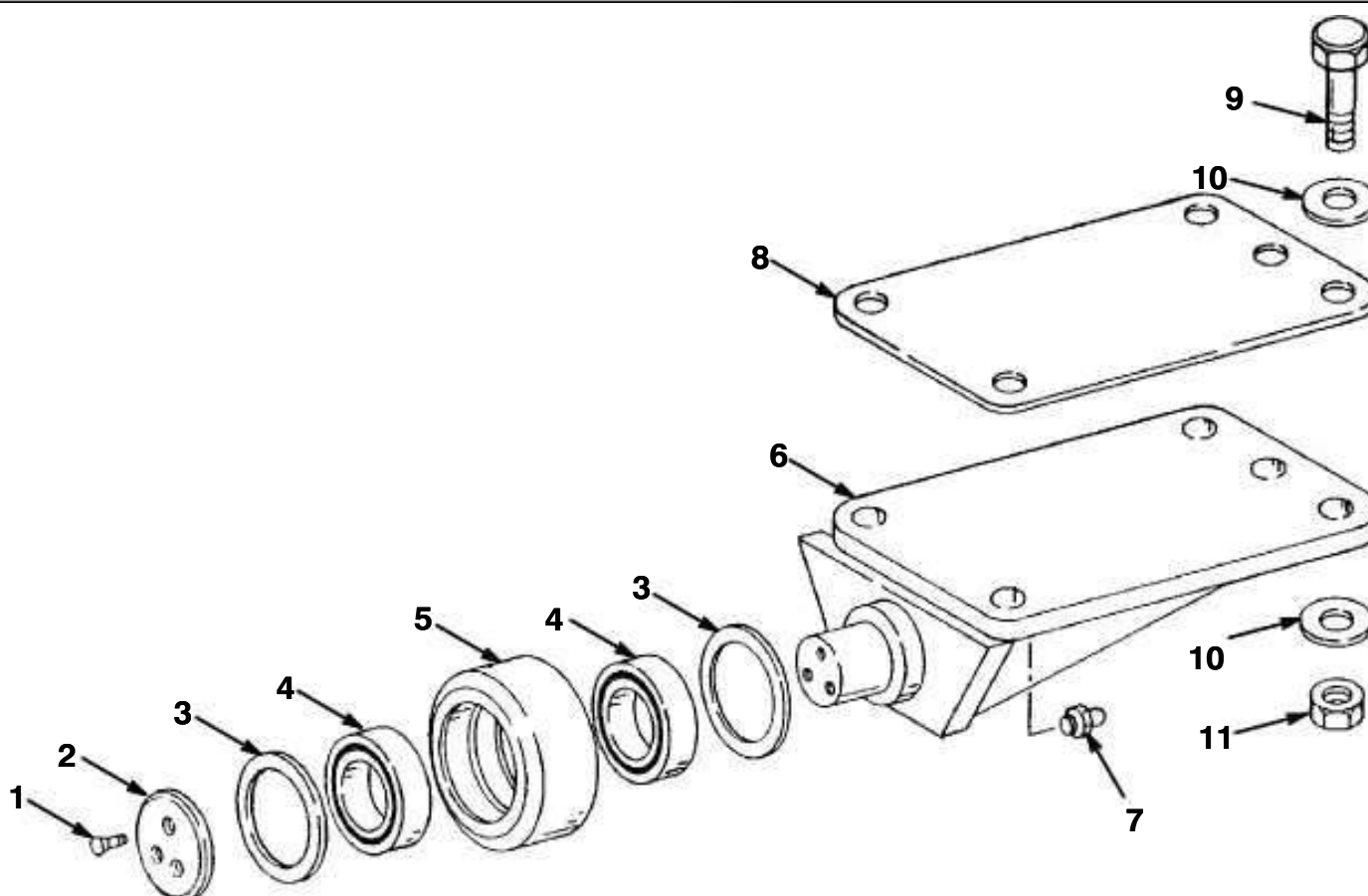


ITEM	PART NUMBER	DESCRIPTION	QTY.
	I-1-17-2785	ROLLER ASSEMBLY, Side	
1	1987-050	ROLLER	1
2	1463	PIN, Cotter, 3/16" x 3-1/2"	1
3	I-0-90-1048	PIN, Roller	1
4	I-0-17-0545	BRACKET, Roller	1
5	1689-001	FITTING, Grease, 1/8", 90°	1
6	I-1-36-0507	MOUNT, Roller	1
7	1177-010	BOLT, 5/8" - 11 NC x 2-1/4" Gr.8	4
7A	1177	BOLT, 5/8" - 11 NC x 2" Gr.8	4
8	1430	WASHER, Hardened, 5/8"	8
8A	1399	WASHER, Lock, 5/8"	4
9	1324	NUT, 5/8" NC	4
10	I-0-36-0593	SHIM, 16 Ga.	AR
10A	I-0-36-0594	SHIM, 12 Ga.	AR
10B	I-0-36-1265	SHIM, 7 Ga.	AR
11	1396	WASHER, Lock, 1/2"	4
12	1153	BOLT, 1/2" - 13 NC x 1-1/2"	4
13	I-0-18-4585	SHIM, 16 Ga.	AR
13A	I-0-18-4586	SHIM, 10 Ga.	AR

Attachments  
**29-416-6**  
 Guide Roller Assembly

# Taylor

MODEL OR SERIES	COMPONENT OR ASSEMBLY NUMBER
2040 TPA	

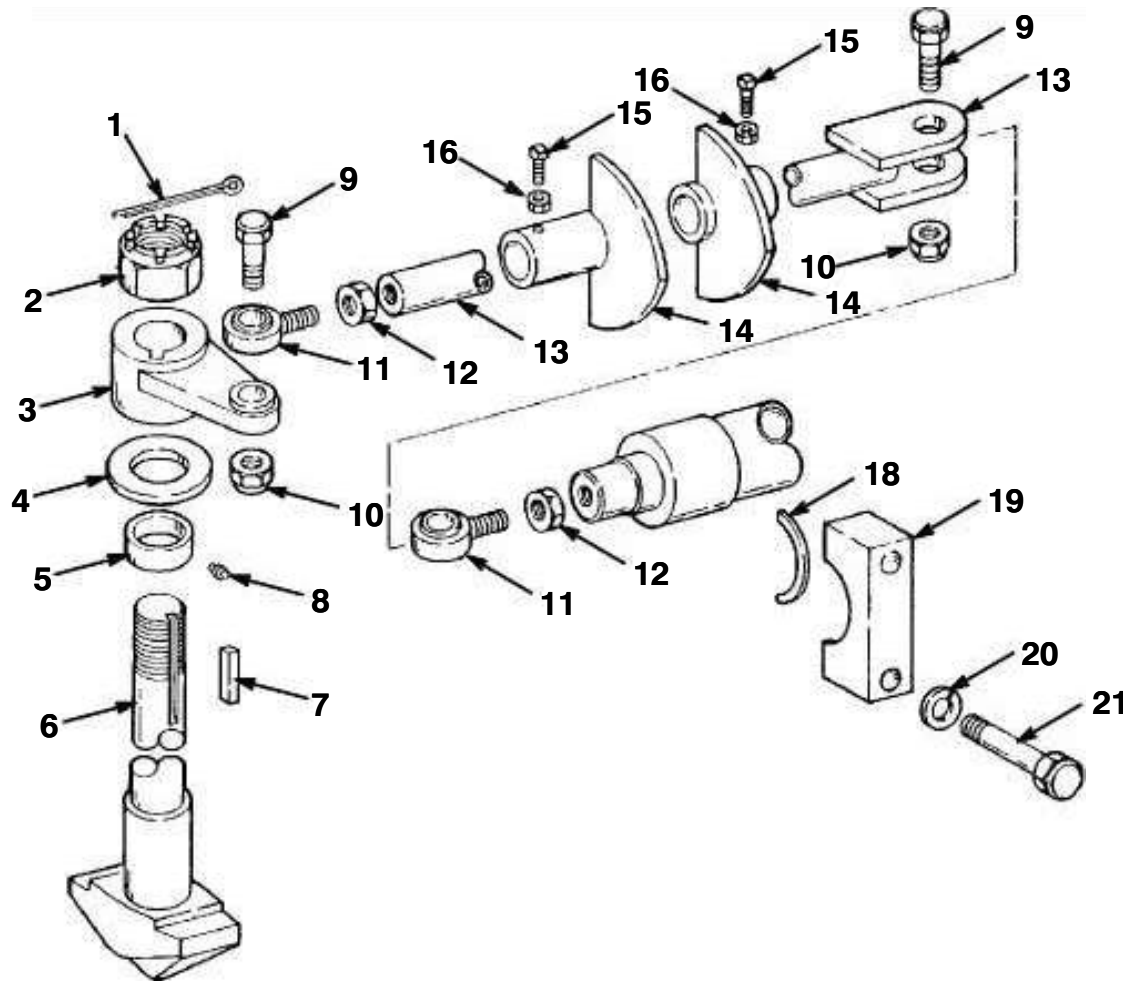


ITEM	PART NUMBER	DESCRIPTION	QTY.
1	1270	BOLT, 7/16" - 14 NC x 1" Hex Skt.	3
2	I-0-17-2199	CAP, Stub Shaft	1
	I-1-17-2181	ROLLER ASSEMBLY	
3	1749-080	SHIELD, Dust	2
4	3154-215	BEARING	2
5	I-0-17-2102	ROLLER	1
6	I-1-36-5694	MOUNT, Roller	1
7	1686	FITTING, Grease	1
8	I-0-36-7028	SHIM, 7 Ga.	AR
8A	I-0-36-7029	SHIM, 12 Ga.	AR
8B	I-0-36-7030	SHIM, 16 Ga.	AR
9	1180	BOLT, 5/8" - 11 NC x 2-1/2" Gr.8	5
10	1430	WASHER, Hardened	10
11	1324	NUT, 5/8" NC	5

Attachments  
**29-416-7-1**  
 Twistlock Mechanism (ISO Only)

# Taylor

MODEL OR SERIES	COMPONENT OR ASSEMBLY NUMBER
2040 TPA	



ITEM	PART NUMBER	DESCRIPTION	QTY.
1	1466-003	PIN, Cotter, 1/4" x 3"	4
2	1336-075	NUT, Slotted, 1-1/2" NC	4
3	I-1-36-0536	BUSHING, Pivot	4
4	I-0-36-0656	WASHER, Twistlock	4
5	I-0-36-0659	BEARING, Twistlock	4
6	3260-098	TWISTLOCK	4
7	I-0-36-0661	KEY, Twistlock	4
8	1686	FITTING, Grease, 1/8", St.	4
9	1180	BOLT, 5/8" - 11 NC x 2-1/2"	8
10	1370-001	NUT, Lock, 5/8" NC	8
11	3321-994	END, Rod	8
12	1294-011	NUT, Jam, 5/8" NF	8
13	I-1-36-0539	ROD, Tie	4
14	I-1-36-0548	TRIP ASSEMBLY	4
15	1237	SCREW, Set, 3/8" - 16 NC X 3/4"	8
16	1315	NUT, 3/8" NC	8
17	See P.S.O.	CYLINDER ASSEMBLY, www.forkliftpdfmanuals.com/	2
18	1749-903	SHIM	AR



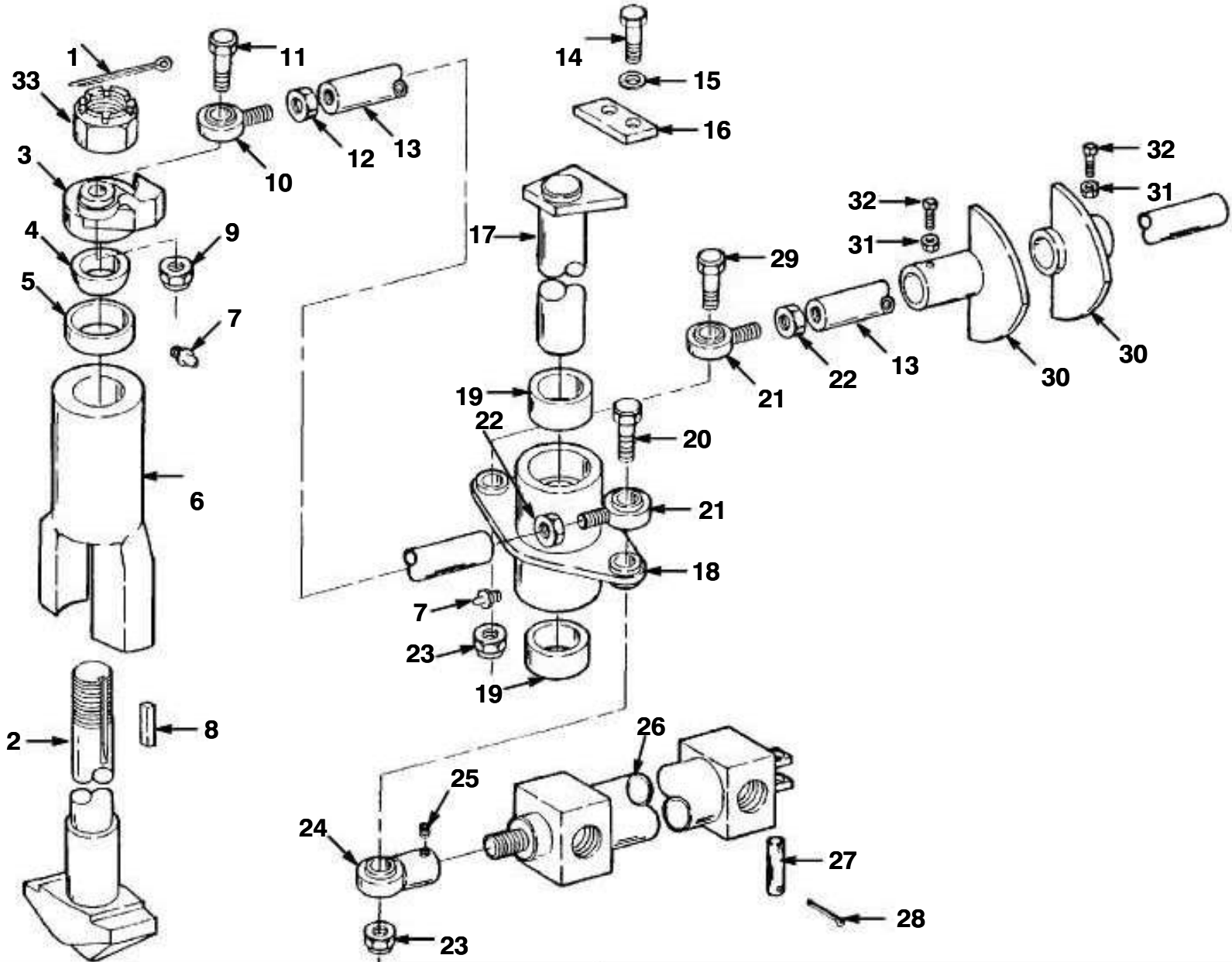
19	I-1-36-0549	CYLINDER MOUNT ASSEMBLY	4
20	1399	WASHER, Lock, 5/8"	2
21	1181	BOLT, 5/8" - 11 NC x 3" Gr.8	2

Revised 8/2/00

Attachments  
**29-416-7-2**  
 Twistlock Mechanism (ISO Sealand)

# Taylor

MODEL OR SERIES	COMPONENT OR ASSEMBLY NUMBER
2040 TPA	



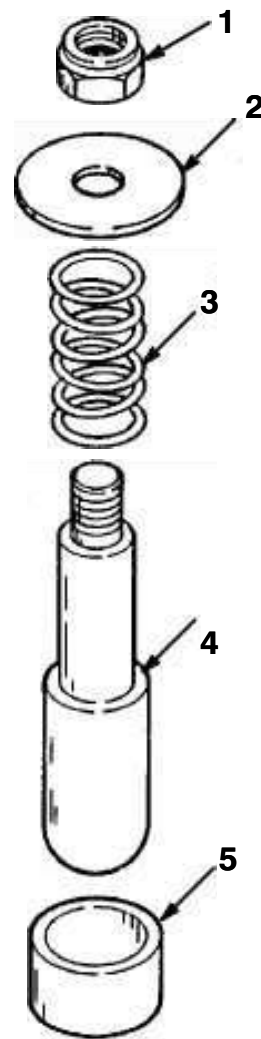
ITEM	PART NUMBER	DESCRIPTION	QTY.
1	1465	PIN, Cotter, 1/4" x 2-1/2"	4
2	3260-503	TWISTLOCK ASSEMBLY	4
3	I-1-36-0688	PIVOT, R.H.	2
3A	I-1-36-0689	PIVOT, L.H.	2
4	1985-125	BEARING, Self-Aligning, Inner	4
5	1985-100	BEARING, Self-Aligning, Outer	4
6	3260-502	BLOCK, Guide	4
7	1686	FITTING, Grease, 1/8", St.	6
8	I-0-26-0991	KEY, Twistlock	4
9	1370-001	NUT, Lock, 5/8"	4
10	3321-994	END, Rod, 5/8"	4



Attachments  
**29-416-8**  
 Limit Switch Plunger

# Taylor

MODEL OR SERIES	COMPONENT OR ASSEMBLY NUMBER
2040 TPA	

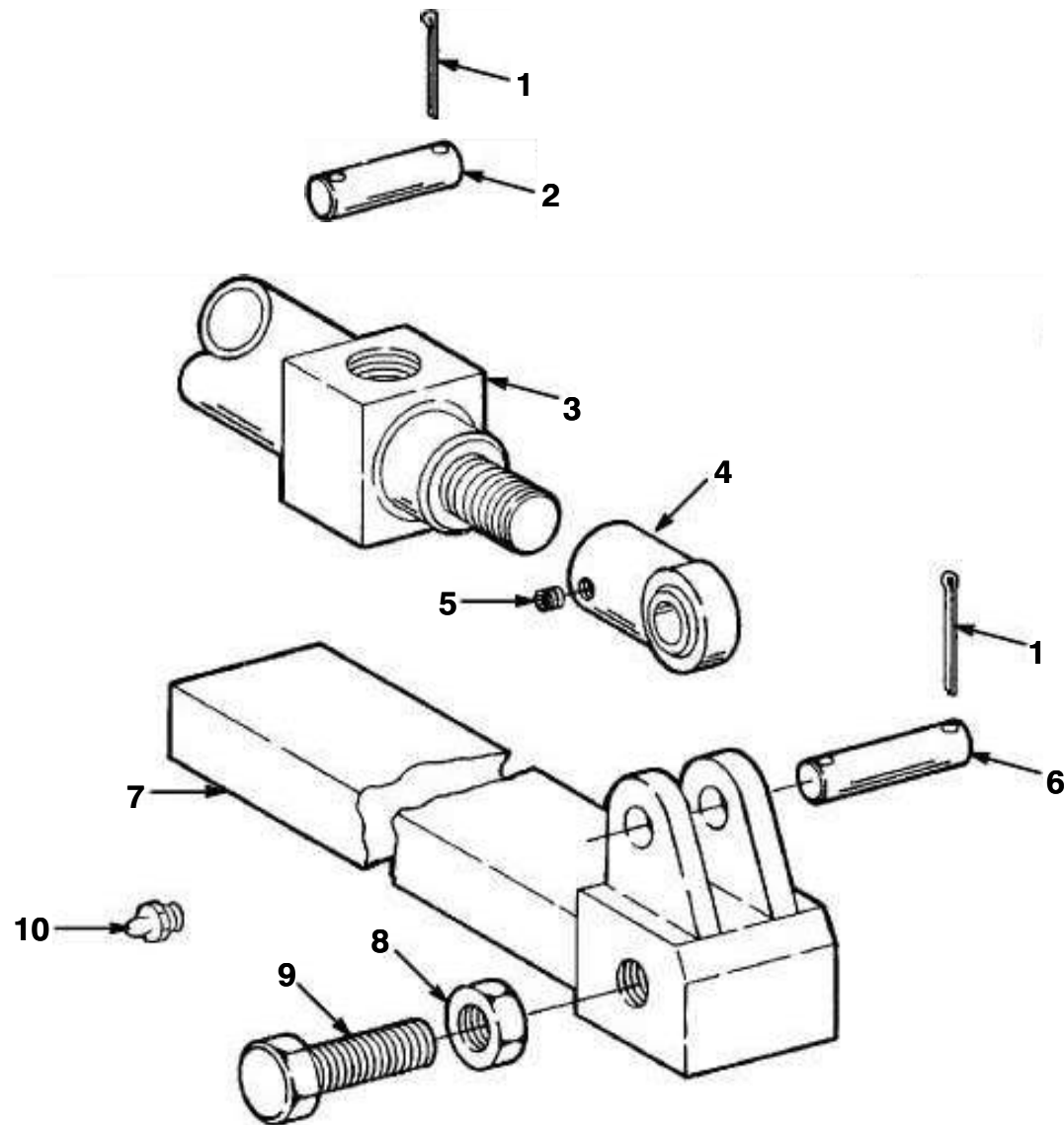


ITEM	PART NUMBER	DESCRIPTION	QTY.
1	1370-001	NUT, Lock, 5/8" NC	4
2	I-0-36-0660	WASHER, Plunger	4
3	3260-411	SPRING	4
4	I-0-36-0653	PLUNGER (ISO)	4
4A	I-0-36-1268	PLUNGER (ISO-Sealand)	4
5	I-0-36-0674	BEARING, Plunger	4

Attachments  
**29-416-9**  
 Frame Stop

# Taylor

MODEL OR SERIES	COMPONENT OR ASSEMBLY NUMBER
2040 TPA	



ITEM	PART NUMBER	DESCRIPTION	QTY.
1	1462	PIN, Cotter	16
2	I-0-90-0054	PIN, Frame Stop Cylinder	4
3	See P.S.O.	CYLINDER ASSEMBLY, Frame Stop	4
4	I-0-36-3124	END, Stop	4
5	1232-100	SET SCREW, 1/4" x 1/4"	4
6	I-0-36-3141	PIN	4
7	I-1-36-0698	BAR, Slide	4
8	1354	NUT, Jam, 1" - 8 NC	4
9	I-0-36-1282	BOLT, 1" - 8 NC	4
10	1686	FITTING, Grease, 1/8", St.	4








Revised 7/31/96



Miscellaneous  
**31-700**  
 Filter Element Chart

# Taylor

MODEL OR SERIES			COMPONENT OR ASSEMBLY NUMBER		
<b>ENGINE</b>	<b>TYPE FILTER</b>	<b>ELEMENT PART NUMBER</b>	<b>ENGINE</b>	<b>TYPE FILTER</b>	<b>ELEMENT PART NUMBER</b>
<b>CATERPILLAR</b>			<b>CUMMINS</b>		
3208	FUEL	4025-836	LT-10	FUEL SEP.	5242-975 ELEMENT
3306	OIL	4025-840		OIL	4026-976 PRIMARY (DUAL)
				OIL	4026-977 SECONDARY (DUAL)
<b>CHRYSLER</b>				OIL	4026-996 SINGLE
318	FUEL	4029-023		WATER	4026-993
360	OIL	4026-114		WATER	4026-988**
<b>CUMMINS</b>			KTA-19	FUEL	4026-491 (DUAL)
C-160	FUEL	4026-076		OIL	4026-976 (DUAL)
JN-130	OIL	4026-125		OIL	4026-976
	SEAL*	4026-350			
	OIL BYPASS	4026-109	B4.5	OIL	4028-093
	SEAL*	4026-386		FUEL	4028-092
				FUEL, INLINE	4026-014
378	FUEL	4026-076			
504	OIL	4026-135	B5.9	OIL	4026-942
	SEAL*	4026-927		FUEL	4026-986
	WATER	4026-151		FUEL, INLINE	4026-014
	WATER	4026-156 (SPIN-ON)		FUEL SEP.	4026-941
	OIL BYPASS	4026-109			
	SEAL*	4026-386	C8.3	OIL	4026-996
				FUEL	4026-986
555	FUEL	4026-077		FUEL SEP.	4026-941
855	FUEL(DUAL)	4026-015		FUEL, INLINE	4026-014 (THREADED)
	OIL	4026-135 (CARTRIDGE)			
	SEAL*	4026-927	M11	OIL	4026-996
	OIL	4026-976 PRIMARY (SPIN-ON)		FUEL/WATER	2404-389
	OIL	4026-977 SECONDARY (SPIN-ON)		WATER	4026-017
	WATER	4026-151 (CARTRIDGE)			
	WATER	4026-017 (SPIN-ON)	N14	OIL	4026-996
	WATER**	4026-159 (SPIN-ON)		WATER	4026-017
	OIL BYPASS	4026-110		FUEL	4026-015
	SEAL	4026-386			
			QSB4.5	OIL	4028-392
4 "B" SERIES	FUEL, LONG	4026-941		FUEL	4026-047
	FUEL, SHORT	4026-986			
	OIL	4026-879	QSB5.9	OIL	4026-089
				FUEL	4026-090
6 "B" SERIES	FUEL, LONG	4026-941		FUEL, INLINE	4026-014
	FUEL, SHORT	4026-940		WATER	4026-097
	FUEL, INLINE	4026-013			
	OIL	4026-942	QSB5.9 (205 & 230 HP)	OIL	4028-392
				FUEL	4028-393 ()
"C" SERIES	FUEL	4026-941 PRIMARY (DUAL)		FUEL	4028-399 (WITHOUT DRAIN VALVE)

	FUEL	4026-986 SECONDARY (DUAL)
	FUEL, SINGLE	4024-382
	FUEL, INLINE	4026-014
	FUEL, INLINE	4026-013 (THREADED)
	OIL	4026-975 (1-3/8" PORT)
	OIL	4026-996 (2-3/16" PORT)
	WATER	4026-993
	FUEL SEP.	4026-015 (LONG W/ DRAIN)
	FUEL SEP.	4026-016 (SHORT NO DRAIN)

	FUEL, INLINE	4026-098 (WITH DRAIN VALVE)
	WATER	4026-097
QSB6.7	OIL	4028-392
	FUEL	4028-427 (W/ WATER SEPERATOR)
	FUEL	4028-469 SECONDARY

\*\*Used if System is Completely Drained

\*Not Included w/Element

Revised 8/28/09

Miscellaneous  
**31-700A**  
Filter Element Chart

# Taylor

MODEL OR SERIES	COMPONENT OR ASSEMBLY NUMBER
-----------------	------------------------------

ENGINE	TYPE FILTER	ELEMENT PART NUMBER
<b>CUMMINS</b>		
QSC8.3 Tier 1	OIL	4026-333
	FUEL	4026-077
	FUEL, INLINE	4028-926
	WATER	4026-159
QSC8.3 Tier 2	OIL	4026-333
	FUEL	4028-925
	FUEL, INLINE	4028-926
	WATER	4026-159
QSC8.3 Tier 3	OIL	4026-333
	FUEL	4028-426
	FUEL	4028-427 (W/ WATER SEPARATOR)
	FUEL, INLINE	4028-926
	WATER	4026-159
QSL8.9	OIL	4026-333
	FUEL	4028-426
	FUEL	4028-427 (W/ WATER SEPARATOR)
	COOLANT	4026-159
QSM-11 Tier 1	OIL	4026-085
	WATER	4026-017
	FUEL	4026-086
QSM-11 Tier 2	OIL	4026-085
	WATER	4029-407
	FUEL	4026-073
QSM-11 Tier 3	OIL	4026-085
	WATER	4029-407
	FUEL	4026-073
QSX-15	OIL	4028-367
	FUEL	4028-366
<b>DDC</b>		
3-53	FUEL	G-T553 PRIMARY
4-53	FUEL	G-T936 PRIMARY (SPIN-ON)
4-71	FUEL	G-TP511 SECONDARY
3-53	OIL	G-PF147
	OIL	G-PF947 (SPIN-ON)
	FUEL	G-TP928 SECONDARY (SPIN-ON)

ENGINE	TYPE FILTER	ELEMENT PART NUMBER
<b>DDC</b>		
8V-71	FUEL	G-TP540X SECONDARY
	FUEL	G-TP916 SECONDARY (SPIN-ON)
	OIL	G-PF132W
	OIL	4026-111
4.236	FUEL	V26561117
4.236 (GAS)	OIL	V2654403
4.248.2	OIL	V2654403
4.3L (GAS)	OIL	G-PF52
6.0	OIL	V2654403
	FUEL	V26560145
	FUEL SEP.	V26560141
SERIES 50 (8.5L)	FUEL	G-TP915D PRIMARY
	FUEL	G-TP916D SECONDARY
	OIL	G-PF2100
	WATER	G-23507189
1006-6T	OIL	V2654403
	FUEL	V26560608
1004-4T	OIL	V2654407
	FUEL	V26560143
<b>FORD</b>		
292	FUEL	2404-200
	OIL	4024-053
300	FUEL	4044-510
	OIL	4042-053
330	FUEL	4039
	OIL	4042
361	FUEL	4044-510





\*\*Used if System is Completely Drained

\*Not Included w/Element

Revised 8/28/09