

MAXIMAL FORKLIFT



M SERIES

1.0 / 1.5 / 2.0 / 2.5 / 3.0t

Electric Forklift (Four Wheel)

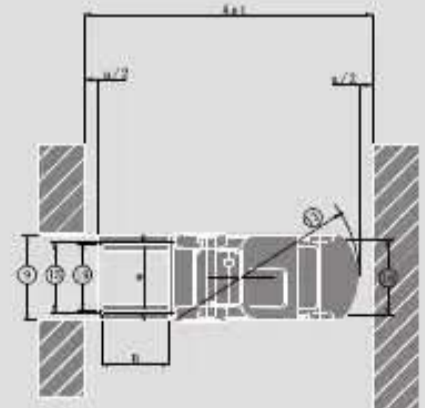
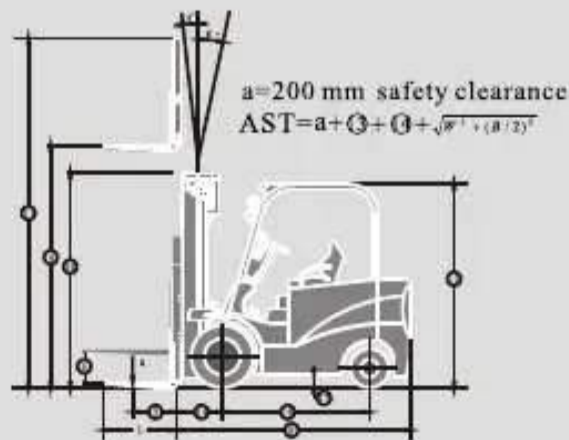
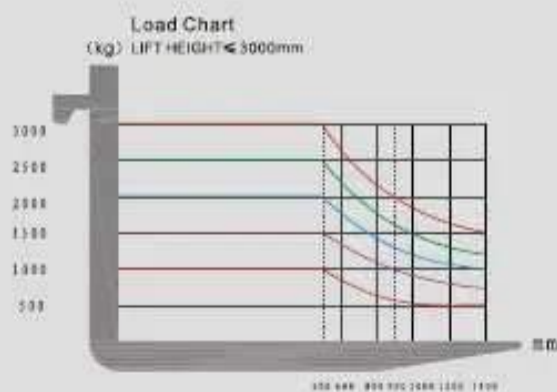
R&R Forklift Inc *"The Forklift Parts Specialists"*



MAXIMAL FORKLIFT SPECIFICATION

M series 1.0-3.0t Electric Four Wheel Forklift Specification

1		Model		FB10-MQJZ2	FB10-MQJD2	FB15-MQJZ2	FB15-MQJD2	FB20-MQJZ2	FB20-MQJD2	FB25-MQJZ2	FB25-MQJD2	FB30-MQJZ2	FB30-MQJD2	
Specification	2	Rated capacity	kg	1000		1500		2000		2500		3000		
	3	Load centre	mm	500		500		500		500		500		
	4	Lifting height	mm	3000		3000		3000		3000		3000		
	5	Free lifting height	mm	120		120		120		120		145		
	6	Fork size	T*W*L	35*120*920		35*120*920		40*122*1070		40*122*1070		45*130*1070		
	7	Tilting angle	F/R	Deg		6/12		6/12		6/12		6/12		
	Dimensions	8	Overall Dimension	Length (to forkface)	mm	2140	2160	2320	2340	2525				
9		Width		mm	1080	1080	1150	1150	1225					
10		Height when mast lowered		mm	1995	1995	2045	2045	2090					
11		Height when mast lifting		mm	3935	3935	4000	4000	4160					
12		Height to safeguard	mm	2130	2130	2110	2110	2110						
13		Turning radius	Min.	mm	1950	1980	2030	2060	2250					
14		Overhang	mm	420	420	460	460	475						
15/16		Tread (Front/Rear)	mm	890/920	890/920	970/950	970/950	1000/970						
17		Ground clearance	Min.	mm	110	110	120	120	130					
18		Wheelbase	mm	1380	1380	1500	1500	1600						
19		Fork spread	Min./Max.	mm	240/1000	240/1000	244/1100	244/1100	260/1100					
20		Working aisle width with pallet (Ast)*	1000*1200 crossways	mm	3556	3556	3910	3910	4070					
21			800*1200 lengthways	mm	3655	3655	4010	4010	4170					
Performance	22	Speed	Travel (Laden)	km/h	14		14		14		14		14	
	23		Travel (Unladen)	km/h	15		15		15		15		14.5	
	24	Lifting (Laden)	mm/s	280		280		280		270		280		
	25	Lifting (Unladen)	mm/s	380		440		480		440		440		
	26	Gradeability	Laden	%	15		15		15		15		13	
	27		Unladen	%	15		15		15		15		14	
	28	Service weight	Include battery box	kg	2890	3050	4100	4300	5150					
29	Tyre	FrontX2		6.50-10-10PR		6.50-10-10PR		7.00-12-12PR		7.00-12-12PR		28*8-15-12PR		
30		RearX2		5.00-8-8PR		5.00-8-8PR		18*7-8-14PR		18*7-8-14PR		18*7-8-14PR		
Driven	31	Motor	Driven motor	kw	7.5		7.5		11		11		12	
	32		Pump motor	kw	9.2		9.2		11		11		12	
	33	Battery	Standard	V/Ah	48/450		48/450		48/600		48/600		80/500	
	34	Controller	Type		AC		AC		AC		AC		AC	
35	Manufacturer			ZAPI / DanaherMotion		ZAPI / DanaherMotion		ZAPI / DanaherMotion		ZAPI / DanaherMotion		ZAPI / DanaherMotion		
36	Operating pressure for attachment	Mpa		14.5	14.5	17.5	17.5	17.5	17.5	17.5	17.5	17.5		



R&R Forklift Inc
63 McIntyre Place
Unit #7 & 14
Kitchener, Ontario
N2R 1J5



<https://www.forkliftpdfmanuals.com/>

Phone: +1 (519) 748-2287
Fax: +1 (519) 748-2297
Email: parts@rrforklift.com
Online: www.rrforklift.com