



PARTS MANUAL

FORTENS[®]

H2.0FT-H3.5FT

(L177)

Customer Edition

HYSTER

<https://www.forkliftpdfmanuals.com/>

PARTS MANUAL

**H2.0FT-H3.5FT
(L177)**

CUSTOMER EDITION

HYSTER

SECTIONS

1	FRAME
2	ENGINE
3	FUEL SYSTEM
4	ELECTRICAL SYSTEM
5	TRANSMISSION
6	DRIVE AXLE
7	STEERING SYSTEM
8	BRAKE SYSTEM
9	HYDRAULIC SYSTEM
10	MAST-TWO STAGE LIMITED FREE-LIFT
11	MAST-TWO STAGE FULL FREE-LIFT
12	MAST-THREE STAGE FULL FREE-LIFT
13	OPTIONS
14	NUMERICAL INDEX

TABLE OF CONTENTS

DESCRIPTION	PAGE
A	
ADJUSTMENT OF A. AIR BRUSH PUMP	15-19
AIR CLEANER ASSEMBLY	3-6
AIR INTAKE AND FRESH AIR INLET GM 24	
LPG	3-4
NATURAL GAS AND LPG	
LPG	3-4
NATURAL GAS AND LPG	3-8
DIESEL	
ALTERNATOR AND BELT DRIVE	
GM 24	
LPG	7-46
NATURAL GAS AND LPG	
DIESEL	4-8
ARMATURE POSITION	
GM 24	
LPG	
NATURAL GAS	2-12
DIESEL	2-4
LPG	2-48
NATURAL GAS	2-14
DIESEL	
LPG	
NATURAL GAS AND LPG	
DIESEL	8-22
LPG	
NATURAL GAS	
DIESEL	8-20
LPG	
NATURAL GAS AND LPG	
DIESEL	12-20
LPG	12-26
NATURAL GAS	
DIESEL	
LPG	8-22
B	
BATTERY PLACING	
BATTERY CABLES	12-4
GM 24	
LPG	
NATURAL GAS	4-13
DIESEL	
LPG	4-13
NATURAL GAS	
DIESEL	
LPG	
NATURAL GAS AND LPG	
DIESEL	6-14
LPG	
NATURAL GAS	
DIESEL	8-1
LPG	8-9
NATURAL GAS	
DIESEL	8-2
LPG	8-8

TABLE OF CONTENTS (Continued)

DESCRIPTION	PAGE
C	
CRACK	
FRAME AND ATTACHING PARTS	1-20
INFLATION PUMPS	1-20
LIFT DOOR	1-20
REAR DOOR AND REAR LIFT ASSEMBLY	1-22
WINDOWS AND WINDOW WIPERS SYSTEM	1-24
CRACK AND ATTACHING PARTS	1-18
CRAWLER AND DR OF GEAR	
MOUNTING AND S.S.	
DRIVE	2-64
CRAWLER AND MOUNT	
MOUNTING AND S.S.	
LPS	2-20
CRAWLER CY. IN DR. HEAD AND MOUNTING	
G.S.S.	
LPS	2-28
CURBAGE	
THREE STAGE FULL FRONT LIFT	1-298
TWO STAGE FULL FRONT LIFT	1-118
TWO STAGE LIMITED LIFT	1-114
CONTROL WAGNE	
TRANSMISSION	2-24
CONTROL WAGNE ASSEMBLY	
ELECTRIC CONTROL	
T. WHEEL AND FOUR FUNCTION	1-278
MOUNT. CONTROL	
T. WHEEL AND FOUR FUNCTION	1-18
COOLING MAN. FOR CURB ATTACHMENT	
G.S.S.	
LPS	2-21
COOLING SYSTEM	
CMT 2 L. 1. PG. ELECTRIC MAN. MOUNTING	2-22
MOUNTING AND S.S. WITH 2.5" BENCH TOP HARDWARE	
ELECTRIC MOTOR AND TRANSDUCER	2-4
MOUNTING AND S.S. WITH 2.5" BENCH TOP HARDWARE	
ELECTRIC MOTOR AND TRANSDUCER WITH INTERNAL AIR DUCT FOR	2-10
ELECTRIC CONTROL TRANSDUCER WITH EXTERNAL AIR DUCT FOR	2-14
ELECTRIC CONTROL TRANSDUCER WITH EXTERNAL AIR DUCT FOR	2-12
MOUNTING AND S.S. WITH 2.5" BENCH TOP HARDWARE	
WITH EXTERNAL AIR DUCT CONTROL	2-6
WITH EXTERNAL AIR DUCT CONTROL	2-8
COUNTDOWN TIMER	1-28
COVER ELECTRICAL	2-13
COVER MOUNT	1-12
CRACK AND ATTACHING PARTS	
MOUNTING AND S.S.	
-PC	2-22
MOUNTING AND S.S.	
-PC	2-24
CRACK AND ATTACHING PARTS	
MOUNTING AND S.S.	2-26
CRACK AND ATTACHING PARTS	
MOUNTING AND S.S.	2-26

TABLE OF CONTENTS (Continued)

DESCRIPTION	PAGE
C	
CHASSIS	232
CHASSIS ASSEMBLY	
MOUNTING AND 23L	
LIFT	234
MOUNTING AND 23L	
LIFT	235
CHASSIS HEAD	
MOUNTING AND 23L	
LIFT	235
MOUNTING AND 23L	
LIFT	237
D	
DISTRIBUTION	
MOUNTING AND 23L	
LIFT	241
DRIVE SHAFT AND ATTACHING PARTS	
DRIVE SHAFT	242
DRIVE SHAFT ASSEMBLY	
DRIVE SHAFT	244
DRIVE SHAFT AND DRIVE	
DRIVE SHAFT ASSEMBLY	245
DRIVE SHAFT ASSEMBLY	247
DRIVE SHAFT ASSEMBLY	248
DRIVE SHAFT ASSEMBLY	249
DRIVE SHAFT ASSEMBLY	250
DRIVE SHAFT ASSEMBLY	251
DRIVE SHAFT ASSEMBLY	252
E	
ELECTRICAL SYSTEM	
BATTERIES	252
ELECTRICAL SYSTEM COMPONENTS	
ELECTRICAL CONTROL	
LIFT AND LOWER	258
ELECTRICAL SYSTEM	
MOUNTING AND 23L	
LIFT	258
ELECTRICAL SYSTEM COMPONENTS	
MOUNTING AND 23L	
LIFT	260
ELECTRICAL SYSTEM	
MOUNTING AND 23L	
LIFT	260
MOUNTING AND 23L	
LIFT	261
MOUNTING AND 23L	
LIFT	262
MOUNTING AND 23L	
LIFT	263
MOUNTING AND 23L	
LIFT	264
MOUNTING AND 23L	
LIFT	265

TABLE OF CONTENTS (Continued)

DESCRIPTION	PAGE
ELECTRICAL	
FRONT SYSTEM	
GM 24L	
LPG ..	284
MAGNA 30L AND 33L	
LPG ..	276
YAMAHA 30L AND 33L	
DIESEL ..	270
F	
FAN ASSEMBLY	26
FENDER EXTENSION	118
FIRE EXTINGUISHER	1312
FORKS, LIFTING AND TILTING	16
FUEL SYSTEM	
GM 24L	
LPG ..	274
MAGNA 30L AND 33L	
LPG ..	267
YAMAHA 30L AND 33L	
DIESEL ..	278
FORCE	148
FORKS	149
FORWARD CLUTCH	
SINGLE SPEED TRANSMISSION ..	274
FORWARD CYLINDER	
DUAL SPEED TRANSMISSION ..	268
FREE-LIFT	
THREE STAGE FLUID METER, P.T.	1376
TWO STAGE FLUID FREE-LIFT ..	1370
FREE-LIFT CYLINDER	
THREE STAGE FLUID METER, P.T.	220
TWO STAGE FLUID FREE-LIFT ..	212
FUEL FILTER AND WATER SEPARATOR	
MAGNA 30L AND 33L	
DIESEL ..	268
FUEL INJECTION 2-STEP	
MAGNA 30L AND 33L	
DIESEL ..	274
FUEL SYSTEM	
GM 24L	
LPG ..	274
MAGNA 30L AND 33L	
LPG ..	276
YAMAHA 30L AND 33L	
DIESEL ..	272

TABLE OF CONTENTS (Continued)

DESCRIPTION	PAGE
D	
GEAR HOUSING MANUALS 56 AND 33L CASE	274
GEAR PUMP	274
H	
HYDRA-LOCKS	
FOUR FUNCTION WITH OCTOMINO LIFTING WITH-OUT DEFLECTOR PUMP	974
THREE FUNCTION WITH OCTOMINO LIFTING WITH-OUT DEFLECTOR PUMP	970
HEADER HOSE	
THREE STAGE FULL FREE LIFT	1074
TWO STAGE FULL FREE LIFT	1178
TWO STAGE LIMITED FULL LIFT	1077
HEADER HOSE ASSEMBLY LIFTING CYCLE	1170
HOOD ASSEMBLY TOTAL HEIGHT	177
HOOD ASSEMBLY LIFT LIFT AND LIFT ACT	179
HOOD ASSEMBLY TOTAL HEIGHT AND LIFT	182
I	
INCH WAST	
THREE STAGE FULL FREE LIFT	124
TWO STAGE FULL FREE LIFT	114
TWO STAGE LIMITED FULL LIFT	104
INPUT CLUTCH - CW DUAL SPEED TRANSFER SYSTEM MOTOR AND CLUTCH	530
INTAKE AND EXHAUST MANIFOLD MANUALS 56 AND 33L CASE	272
INTAKE MANIFOLD MANUALS 56 AND 33L CASE	276
INTEGRAL 500-SHIFT HOSE VALVE THREE STAGE FULL FREE LIFT	1325
TWO STAGE FULL FREE LIFT	1326
TWO STAGE LIMITED FULL LIFT	1316
INTEGRAL 500-SHIFT CYLINDER	1328
INTEGRAL 500-SHIFT HYDRAULIC HOSES TWO AND THREE STAGE FULL FREE LIFT	1324
TWO STAGE LIMITED FULL LIFT	1316
INTEGRAL 500-SHIFT THREE STAGE FULL FREE LIFT	124

TABLE OF CONTENTS (Continued)

PAGE FROM	PAGE
J	
HYDRA-MATIC ELECTRONIC CONTROL LEVER	1-21
K	
LAMP	
CONTROL LEVER	1-43
ELECTRONIC LEVER	1-43
EXTENSION	1-38
INTERIOR	1-43
LEVER GA	1-43
LEVER GBE	1-33
LEVER	
SHAKE THE BACKUP COIL TURN SIGNALS WORK BY DAY	
BY NIGHT	4-28
BY NIGHT OVER-HEAD GUARD	4-24
LOAD BAG EXTENSION	1-85
LPG SHOCK ASSEMBLY	
FRONT BRACKET	2-18
REAR COIL BRACKET	2-22
LPG REGULATOR	
BY DAY	1-18
LUBRICATION SYSTEM	
TANKS 22L AND 32L	
TYPE	3-82
M	
MATERIAL	
FREE STAGE FULL FREE LEFT	11-8
FREE STAGE FULL FREE LEFT	11-8
FREE STAGE LIMITED FREE LEFT	11-8
MATERIAL CYLINDER	
BY DAY	
FREE STAGE FULL FREE LEFT	11-8
BY NIGHT	
FREE STAGE FULL FREE LEFT	11-8
MATERIAL CYLINDER	
FREE STAGE FULL FREE LEFT	11-12
FREE STAGE LIMITED FREE LEFT	11-8
MATERIAL CYLINDER	11-20
BY NIGHT	
BY NIGHT	11-8
BY NIGHT OVER-HEAD GUARD	11-8
MATERIAL CYLINDER ASSEMBLY	1-24
N	
NIGHT	
TANKS 22L AND 32L	
TYPE	3-78
NIGHT MATERIAL	
TANKS 22L AND 32L	
TYPE	2-26

TABLE OF CONTENTS (Continued)

DESCRIPTION	PAGE
O	
OUTLET WAST	
THREE STAGE FULL FREE-LIFT	120
TWO STAGE FULL FREE-LIFT	121
TWO STAGE LIMITED FREE-LIFT	122
OUTLET SECTION	
ELECTRONIC CONTROL	
THREE AND FOUR FUNCTION	936
MANUAL CONTROL W/AVE	
THREE AND FOUR FUNCTION	928
OUTLET GUARD	178
P	
PAINT BRUSH ASSEMBLY	817
PAINT DISTRIBUTION MODULE	418
R	
RAVINGE DIFFERENTIAL	
LV 2.4	
170	257
RAVINGE GLYCOL	
DUAL SPEED TRANSMISSION	330
SINGLE SPEED TRANSMISSION	320
S	
SEAT	
FULL SUSPENSION	
WITH AND WITHOUT ELECTRONIC CONTROLS	136
NON SUSPENSION	
WITH AND WITHOUT ELECTRONIC CONTROLS	58
SEM-SUSPENSION	
WITH AND WITHOUT ELECTRONIC CONTROLS	132
SEATBELT	
WITH AND WITHOUT ELECTRONIC CONTROLS	436
STEERABLE	
STEERING CYLINDER	7-10
STEERING TINES AND WHEELS	
H20 2.5PT	7-14
H20 3.5PT	7-15
STEERING GOULDS AND ATTACHING PARTS	7-2
STEERING GOULDS ASSEMBLY	7-4
STEERING CONTROL LINE	7-9
STEERING LINES	7-8
T	
THERMISTOR BODY AND ATTACHING PARTS	
GV 2.4	
170	332
THERMISTOR CABLE ASSEMBLY	
PARTS 2.0L AND 2.2L	

TABLE OF CONTENTS (Continued)

DESCRIPTION	PAGES
T	
T-1	1-28
TANKS 2 BL AND 3 BL GRASS	6-13
T-BOTTLE FEED AND ATTACH-NO PARTS MAGAZ 2 CL AND 2 BL AND 2 B. LPG	6-58
T-BOTTLE FEED OR BENDER AND ATTACH-NO PARTS TANKS 2 BL AND 3 BL GRASS	6-56
T-CYLINDER AND HAST' NUTS AND NUTS T-CYLINDERS NO 3/4" FT NO 3/8" FT	6-43 6-45 6-44
T-SECTION FUNCTIONS CONTROL THREE AND FOUR FUNCTION	6-38
TIN HO GEAR COVER AND OIL PAN MAGAZ 2 CL AND 2 BL LPG	2-70
TORQUE CONVERTER TRANSMISSION SH-1 SHAFT SHEET 1 OF 2 SHEET 2 OF 2 SMALL SPEED SHEET 1 OF 2 SHEET 2 OF 2	6-4 6-22 6-26 6-14 6-18
TRANSMISSION COOLING MAGAZ 2 CL AND 2 BL SUPPORTING AND REMOVAL WITH HOSE RECOILERS MAGAZ 2 CL AND 2 BL SQUARE WAVE WITH HOSE RECOILERS MAGAZ 2 CL AND 3 BL	6-8 6-9
TRANSMISSION ELECTRICAL SYSTEM TRANSMISSION HOUSING	6-13 4-29 6-2
V	
VALVE ASSEMBLY, LIFT AND LOWER ELECTRONIC CONTROL VALVE THREE AND FOUR FUNCTION	6-28
VALVE ASSEMBLY, LIFT AND LOWER MANUAL CONTROL VALVE THREE AND FOUR FUNCTION	6-12
W	
WHEEL PUMP MAGAZ 2 CL AND 2 BL LPG	2-88

TABLE OF CONTENTS (Cont./read)

DESCRIPTION	PAGE
RECOMMEND	
TANKS 2 B. AND 3 N	
TIPPER	2-60
WTC: HARLSE	
HM CHARGE	
2M 2 L. LPG	1-32
WHI: HARLSE	
COPY	4-80
ELECTRONIC CONTROL VALVE	
FOUR FUNCTION	4-82
THREE FUNCTION	4-84
HMING	
2M 2AL LPG	4-82
MACH 2OL AND 2SL LPG	4-84
MACH 2SL AND 3SL DIESEL	4-88
LIGHTS	4-88
H-1 (4-58) B	
MACH 2OL AND 2SL LPG	4-82
MACH 2SL AND 3SL DIESEL	4-82
TRANSMISSION	
TRAC RATED	4-80
TRUCK SPEED	4-82

ABBREVIATIONS QUICK REFERENCE SHEET

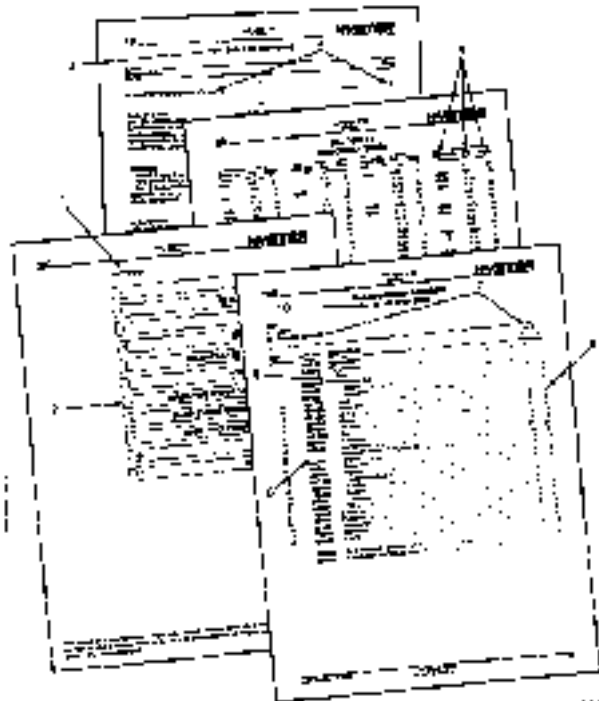
United States and Abbreviations Used in parts manuals to denote the following expressions:

TERMS	DEFINITION	TERMS	DEFINITION
AMV	Armrest	PRE	Power Environment
AV	Air Valve/Len	ALM	Alarm
BD	Battery Discharge Indicators	UPS	Uninterrupted Power/Switch Unit
BSM	Bush wear indicator	WAP	Washer/Water Pressure
CB	Cables, Cable End	AW	Admission
CC	Control Unit/Control	WGS	Welding Gas/Switch Timing System
DB	Defect/Break	HPT	Hydraulic Power Transfer
DBA	Defective/Accident	UG	Underfoot
DE	Drive End	PTO	Power Take Off
EBH	Empty Container Handle	APM	Automatic Power Module
EBH-2	Empty Container Handle - 2 High Stacking	EM	Serial Number
EBH-4	Empty Container Handle - 4 High Stacking	TMM	Tire Management Module
EBH-5	Empty Container Handle - 5 High Stacking	LL Type 2	Load-Forward Safety Raising
EBH-6	Empty Container Handle - 6 High Stacking	UL Type 2A	Load-Forward Safety Raising
EBH-8	Empty Container Handle - 8 High Stacking	UL Type C	Load-Forward Safety Raising
EBH-7	Empty Container Handle - 7 High Stacking	UL Type CE	Load-Forward Safety Raising
FCV	Fuel Valve Control Valve	UL Type EE	Load-Forward Safety Raising
LCB	Engineering Change Notice	UL Type G	Load-Forward Safety Raising
EPROM	Electrically Erasable Programmable Read Only Memory	UL Type OS	Load-Forward Safety Raising
EPA	US Environmental Protection Agency	UL Type LP	Load-Forward Safety Raising
EPROM	Electrically Erasable Programmable Read Only Memory	UL Type LPS	Load-Forward Safety Raising
		UL	Underfoot
		UL	Underfoot Laboratory
		U	Unit

HOW TO USE THE ILLUSTRATED PARTS MANUAL

The parts illustrations and drawings illustrate the basic structure and detail parts names of the device.

The parts are color-coded by key and labeled. The actual dimensions for drawings are given in the next page.



- 12 -

HOW TO FIND THE DESIRED PART NUMBER

WHEN THE PART NUMBER AND THE BEST HIGHER ASSEMBLY IS NOT KNOWN

- 1 Determine the kind of the application of the part required. Turn to the Selection page. Check the general kind of information type code to locate the part.
- 2 Turn to the section you check. Use the Section Table of Contents to determine the assembly which will normally contain the part required. Then check the part of the selected description page.

WHEN THE PART NUMBER IS NOT KNOWN AND THE BEST HIGHER ASSEMBLY IS KNOWN:

- 3 Determine the assembly the required part is used on. Turn to the Table of Application page.
- 4 Locate the assembly the required part is used on and turn to the page number by the assembly. Then check the part on the assembly replacement page.

NOTE: THE PART NUMBER IS LISTED

- 5 Use the numerical index on Page 19 to find the part number. Turn to the page page and check the part as indicated by the part number.

GENERAL:

The assembly cross-sections are used per customer application. To include required keys and features to help in identifying correct parts.

- 6 The assembly the Part is required is indicated because the part is used for different. Depending on this is a key word in order to find a figure related to a diagram by a pointing name followed by a figure number in the DESCRPTION column in Figure 1b).
- 7 Keys are used to identify main or minor parts assemblies. R1 and LH assembly parts are shown in a separate assembly. R1, R2, D1 or D2 and the corresponding part is shown in the the required part. Two keys in the DTH column indicate the part is required for an assembly.
- 8 Indented description under the DESCRIPTION column are used to indicate alternative or substitute of materials. In the bottom of the

previous page. DCA/DNG CAP (see 7) is a subset of the motor assembly D26.

- 9 Crossed order are for an assembly. The material of the subpart (DCA/PHD CAP) are indicated in the end of the. This means the part is a sub-assembly.
- 10 Part number cross-identify the next different part information and are shown as follows:
 - ▷ SM 0001M 0020
 - ▷ indicates a part number affected
 - SM 0001M 0020
 - ▷ indicates the first serial number affected
 - SM 0001M 1000 to SM 0001M 3791
 - ▷ indicates a range of serial numbers affected

EDY number is design serial numbers are shown as a device the inclusion of the manufacturer part information and are identified as follows:

- ▷ SM Pending for ECM 00243
- ▷ indicates a pending serial number for the part affected
- SM Pending for ECM 00243
- ▷ indicates a pending serial number for the part affected.

Code cross are used to indicate when a change occurred on a subsequent serial number from year to year. This is an abbreviation of a key code on the LCN reverse and are identified as follows:

- ▷ D10 100
- ▷ indicates that a change occurred sometime within the month for the year affected.
- D10 300 to
- ▷ indicates that a change occurred sometime within that month for the year affected.
- D10 300 to D10 400
- ▷ indicates a range of production dates of the year affected.

Consult your local dealer for Hyster Part parts for serial number information to start with a LCN or a description.

ORDERING PARTS.

When ordering replacement parts, give the unit serial number, part number, name of part and year by request.

For any further information on parts, service, or ordering contact your local dealer or Hyster Parts.

IDENTIFICATION OF TRUCK SERIAL NUMBERS

L	002	Z	0000	.5
(1)	(2)	(3)	(4)	(5)

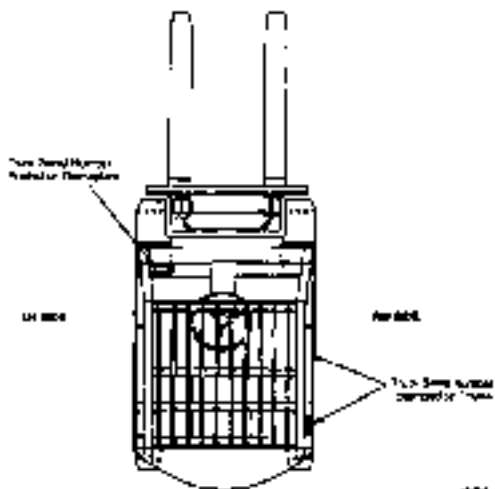
(1) (1) (2) The first letter and three numbers identify the plant and grade.

(1) The second letter identifies the plant of manufacture.

(3) The fourth digit number identifies the production sequence number of the truck.

(5) The final letter identifies the year of manufacture starting with "A" for 1980 and "Z" for 1999. The letters "T", "U", and "V" will not be used.

For more information, contact your dealer or Hyster Division.



For more information, contact your dealer or Hyster Division.

IDENTIFICATION OF MAINT SERIAL NUMBERS

5	000	4	0000
11	01	01	0000
			0000
			01

- 1 - The first digit indicates the year of manufacture.
- 2 - The second digit indicates the plant of manufacture.
- 3 - The third digit indicates the production sequence number of the truck.
- 4 - The fourth digit indicates the production sequence number of the truck.

Note: Do not derivate a serial number from any code (1) and (2) of the carriage model (3).

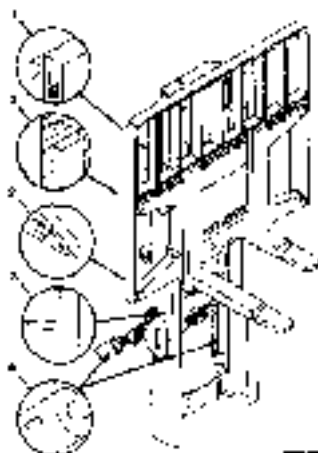
For existing production sequence numbers contact your local dealer for Hyster H30 trucks.

LIFT SOLUTIONS (HYSTER) PARTS

1. The date of issue, capacity rating, serial code, plant and date of manufacture are stamped (PUSH) on the top of the mast tube.
2. The lift truck model number is stamped on the top of the mast tube of the mast assembly (top of the mast) or on the bottom (PUSH) of the mast tube. A case code may be stamped on the end or below the carriage group as well.
3. The mast lift position number has a unit code, a date indicating the plant of manufacture, and a lift truck number. Underneath the production lift truck number is a four digit number that indicates the carriage level in the mast.
4. The mast cylinder group numbers are stamped on a face of the mast.

Analyze lifts into groups, serial number when releasing service calls.

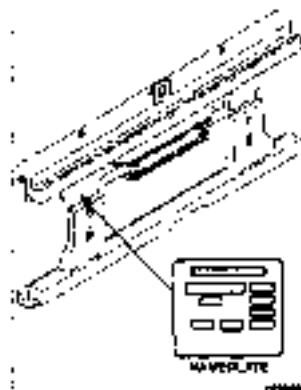
Workshop of parts and carriages by SPED (Special Truck Engineering Department) are defined by a model specific code tag, every lift has a "R" contact your dealer for Hyster H30 truck for information on these assemblies.



**IDENTIFICATION OF ATTACHMENT AND
SIDE-SHIFT CARRIAGE SERIAL NUMBERS**

A	L	A	G
01	2	2	0

- 11 and 12. The first four digits of the number indicate the equipment line code.
 13. The second four digits indicate the part of manufacture.
 14. The last of five digit number indicates the production sequence number.
 15. For any production sequence number consult your local dealer for Hyster 20 Series.



Side shift carriage and mast are referred to as ATTAS. Use the serial number found on the mast to identify the attachment.

Always refer to the right side of the part number when ordering service parts.

Modifications of attachments are used on carriages by SFD, Soleda, Precision Engineering, Drexelmead, and identified by a fourth prefix number appearing in the last of 11. Consult your dealer for Hyster 20 Series for information on these attachments.

PUBLICATIONS

Every Hyster truck is provided with an OPERATOR'S MANUAL. This manual has information that the operator must know for maximum and operator of the lift truck.

GETTING MAINTENANCE MANUALS, which provide service and overhaul procedures, and PARTS MANUALS which describe replacement parts and locations, are available at a nominal fee from your Hyster dealer. In some cases, it effectively means having Hyster all trucks in a single work order. See the list below for information on ordering specific publications for the model of truck.

PUBLICATION	HYSTER PART NUMBER
Operator Manual	1507544
Service Manual (Complete)	1507553
Parts Manual	1507554

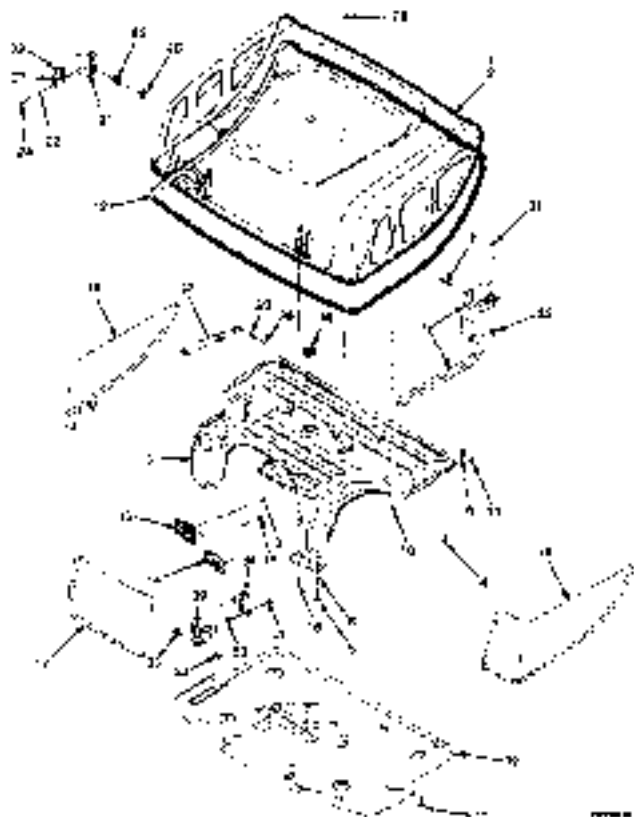
1

FRAME

**SECTION 1
FRAME**

DESCRIPTION	PAGE
CHASSIS	
WHEEL AND ATTACHING DEVICES	1-2
WHEEL ON PAWLS	1-2
WHEEL	1-2
WHEEL AND HUB ASSEMBLY	1-2
WHEEL AND HUB ASSEMBLY	1-2
CHASSIS ATTACHING PARTS	
WHEEL AND HUB	1-14
WHEEL AND HUB	1-12
FLANGE PLATE AND COVER	1-8
FLANGE	1-8
FLANGE	1-8
CHASSIS ASSEMBLY	
CHASSIS	
CONTROL LEVER	1-40
CONTROL LEVER	1-44
CONTROL LEVER	1-38
CONTROL LEVER	1-40
CONTROL LEVER	1-48
CONTROL LEVER	1-50
CONTROL LEVER	1-12
CHASSIS	
CHASSIS WITH OUT ELECTRONIC CONTROLS	1-32
CHASSIS WITH OUT ELECTRONIC CONTROLS	1-34
CHASSIS WITH OUT ELECTRONIC CONTROLS	1-36
CHASSIS WITH OUT ELECTRONIC CONTROLS	1-38

HOOD ASSEMBLY (Figure 1-1)



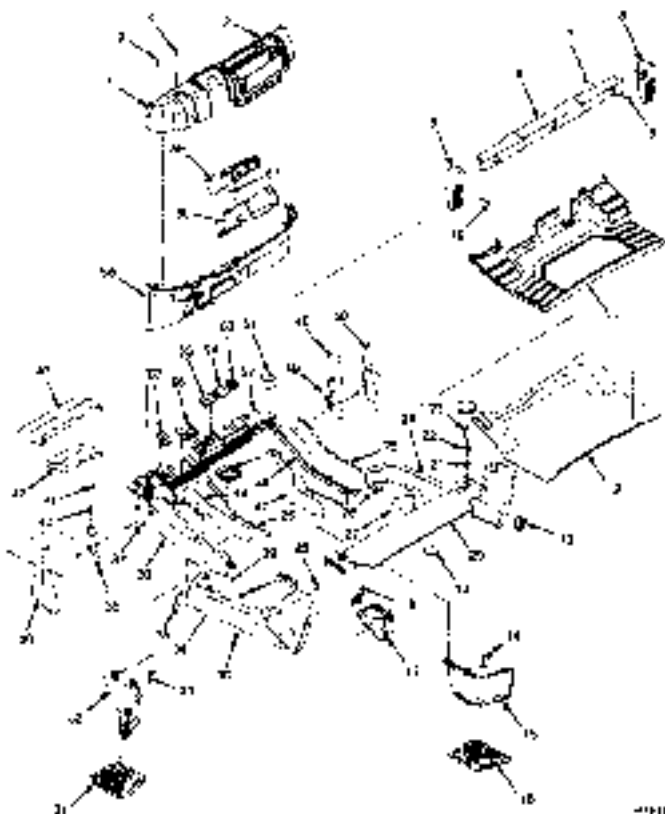
HOOD ASSEMBLY

ITEM	REF ID	DESCRIPTION	QTY
30	32899a	Kit	2
	14295G7	Part (see Extract)	1

FOOTNOTES:

- 1 Use M-71 Drive Set
- 2 With Cab
- 3 With Operator's Seat

FLOORPLATE AND COVERS (Figure 1-2)



41110

FLOORPLATES AND COVERS**KEY:**

A: Area Code

B: Weight Overhead Material

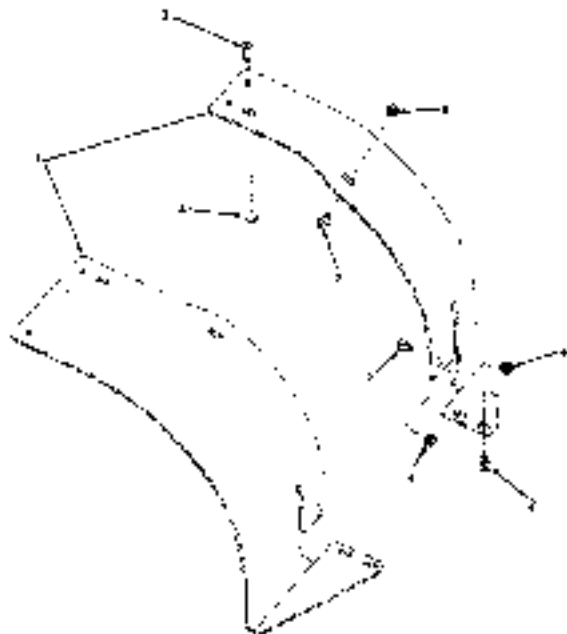
ITEM	PART NO.	DESCRIPTION	QTY	
			A	B
1	1513630	Deck Assembly (Motor/Drive)	1	1
1	1517481	Deck Assembly (Drive/Drive Motor)	1	1
2	2070675	Cap Header	1	1
2	2071281	Capstone	5	5
4	2066687	Cap	5	5
5	2066659	Indicator Light (Lift)	1	1
6	2066707	Cover (Rear)	1	1
7	1521001	Plate	1	1
7	1521001	Plate	5	5
8	2056670	Indicator Light (Lift)	1	1
8	1510648	Capstone	3	3
9	1506185	Capstone	4	4
10	2011787	Front Plate	1	1
12	1512776	Front Plate	1	1
13	2003274	Side Panel (Lift)	1	4
14	1506624	Panel (R/L)	1	1
15	1514377	Side Panel (Lift)	1	1
16	1544112	Panel (Lift)	1	1
17	1517859	Equal Panel (Lift)	1	1
18	2003273	Side Panel (Lift)	1	1
19	2051380	Cap (Lift)	1	4
20	1617969	Rear Deck Cover Assembly	1	1
20	1547407	Panel (R/L)	1	1
20	1547408	Panel (R/L)	1	1
21	2001157	Panel (R/L)	1	2
22	2002200	Panel (R/L)	1	2
23	1502270	Panel	1	2
24	1507340	Rear Panel (Lift)	1	1
25	1584288	Panel	2	2
26	1582372	Panel (Lift)	2	2
27	1567258	Damping Screw (Lift Assembly)	1	1
28	1609707	Sound Panel	1	1
29	1609709	Sound Panel	1	1
30	1609708	Sound Panel	1	1
31	1609706	Sound Panel	1	1
32	1531258	Panel	3	3
33	1480227	Cap (Lift) (Lift)	23	23
33	1480227	Cap (Lift) (Lift)	21	21
34	1508019	Screw	6	6
35	2044413	Panel (Lift)	1	1
36	1514375	Side Panel (Lift)	1	1
37	1506625	Panel (Lift)	1	4
38	1527829	Panel (Rear) (Lift) (Lift)	1	1
38	1527840	Panel (Rear) (Lift) (Lift)	1	1
39	1501052	Damping Screw (Rear Panel)	1	1
40	1510860	Front Panel (Lift)	1	1

FLOORPLATE AND COVERS

ITEM	PART NO.	DESCRIPTION	QTY	
			A	B
11	1521119	Wing	4	1
42	1520145	Bracket-Leg (Rear) Down	1	1
42	1551861	Cover-310 (Rear)	1	1
44	1552215	neck (cover)	4	1
45	1544153	Lock-In (Standard Thread, White Thread)	4	1
48	1541195	Lock-In (Duo-Thread)	6	6
48	2026036	Hex Nut (Standard Thread)	2	2
48	2026645	Hex Nut (RH - 3/4 Dia Thread)	1	1
48	2026894	Hex Nut (RH - 1 1/4 Thread)	1	1
47	2043541	Hex Nut (RH) (non-mach)	1	1
47	2026250	Hex Nut (RH) (Duo-Thread)	1	1
48	1523611	Coil Spring (Duo)	23	23
48	1523611	Coil Spring (LPG)	21	21
42	1578837	Seat-Over-Rim	1	1
42	1420091	Seat (Dry Brake)	1	1
53	1061201	Shocking Screw (1/4" x 1 1/2" Hex)	1	1
51	1061207E	Shocking Screw (3/8" x 1 1/2" Hex)	1	1
52	1443877	Trac Pin (T-1)	1	1
53	1061141	Shocking Screw (1/2" x 1 1/2" Hex)	1	1
54	1061263	Cover-Rot (Rear)	1	1
55	1430134	Grassmat (R)	1	1
55	1061261L	Seat-Panic Auxiliary	1	1
55	1039437	Seat	1	1
57	2025144	Seat	1	1
58	2025106	Seat (MANUAL DRIVE)	1	1
58	2025208	Seat (HYDRA-MATIC DRIVE)	1	1
59	2025148	Seat (MANUAL DRIVE)	1	1
59	2025217	Seat (HYDRA-MATIC DRIVE)	1	1
60	2025157	Seat	1	1
61	2025199	Seat	1	1
62	2025266	Seat-Panic (Single-Phase Power)	1	1
57	2025658	Cover-Raising Column (Upper)	1	1
57	2025658	Seat-Panic (Dual-Phase Power)	1	1
54	2025660	Cover-Raising Column (Lower)	1	1
54	2025655	Box	2	2

NOTES

NOTES

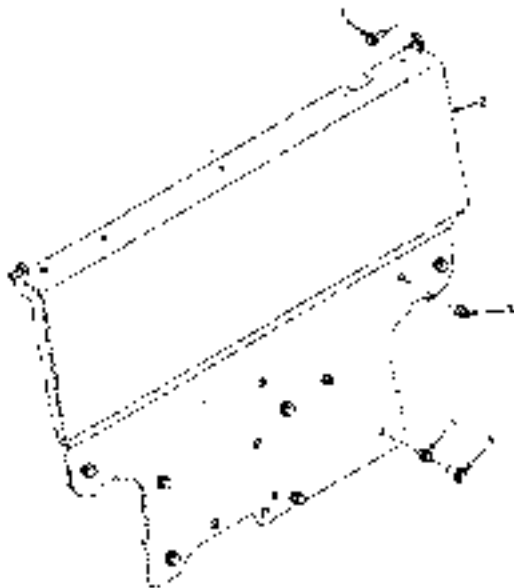
FENDER EXTENSIONS (Figure 1-3)

7/11/00

FENDER EXTENSIONS

ITEM	PART NO	Description	QTY
1	190258	Fender (Flare) (Rear) (L) (1) ...	1
1	190259	Fender (Flare) (Rear) (R) (1) ...	1
1	190260	Fender (Wide Width) (R) (1) ...	1
1	190262	Fender (Flare) (Rear) (L) (1) ...	1
2	190263	Cap screw	8
2	2018289	Cap screw	7
4	190262	W/B ...	10

COM. MOUNT (Figura 1-4)



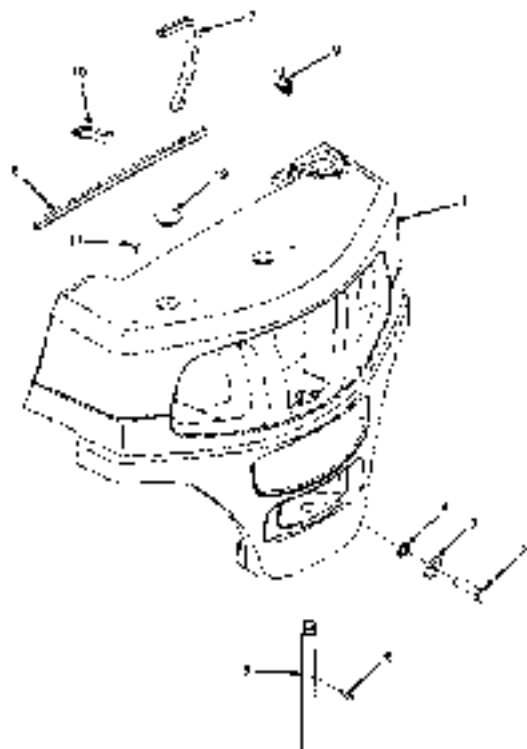
— 1000

QTY	REF. NO.	DESCRIPTION				QTY
1	140121	Gasket		1
2	140125	Cover		2
2	140282	Nut		2
2	140284	Nut		2
5	140487	Dispenser		5

HYSTER

NOTES

COUNTERWEIGHTS (Figure 1-5)



1/1 2000

COUNTERWEIGHTS

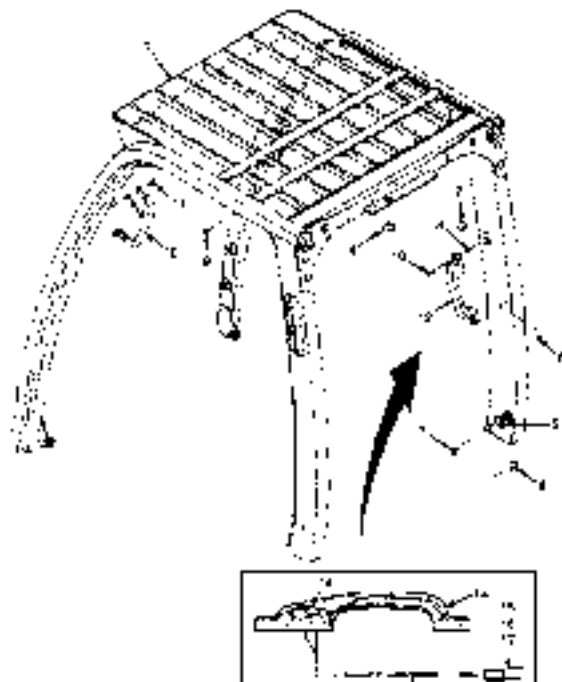
ITEM	PART NO	DESCRIPTION	QTY
1	1821100	Counterweight (M1-2) (PT)	1
2	1821100	Counterweight (M2) (PT)	1
3	1821100	Counterweight (M3) (PT)	1
4	1821100	Counterweight (M4) (PT)	1
5	1821100	Counterweight (M5) (PT)	1
6	1821100	Counterweight (M6) (PT)	1
7	1821100	Counterweight (M7) (PT)	1
8	1821100	Counterweight (M8) (PT)	1
9	1821100	Counterweight (M9) (PT)	1
10	1821100	Counterweight (M10) (PT)	1
11	1821100	Counterweight (M11) (PT)	1
12	1821100	Counterweight (M12) (PT)	1
13	1821100	Counterweight (M13) (PT)	1
14	1821100	Counterweight (M14) (PT)	1
15	1821100	Counterweight (M15) (PT)	1

1821100 PT

▲ 41 (PT)

▲ 42 (PT)

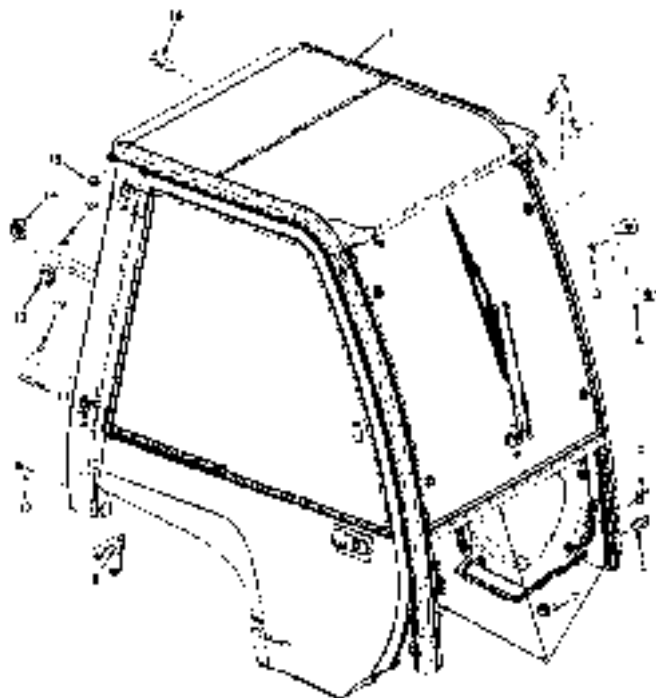
OVERHEAD GUARD (Figure 1-8)



OVERHEAD GUARD

QTY	PART NO	DESCRIPTION	QTY
1	155521	Overhead Guard High	1
1	155517	Overhead Guard Low	1
3	155627	Control	3
1	150120	Wheel	1
4	156017	Control	4
5	155185	Control	5
8	156408	Pin	8
7	152889	Control	7
8	157595	Pin	8
8	162195	Pin	8
12	162615	Nylon Goby	12
15	158311	Control	15
17	207323	Hydraulic Assembly (PH) Wheel	17
13	2083-04	Wheels	13
18	158176	Beam (Top)	18
15	148348	Control	15
10	133014	Secondary Beam	10
17	123347	Terminal Pin	17
10	158946	Control	10

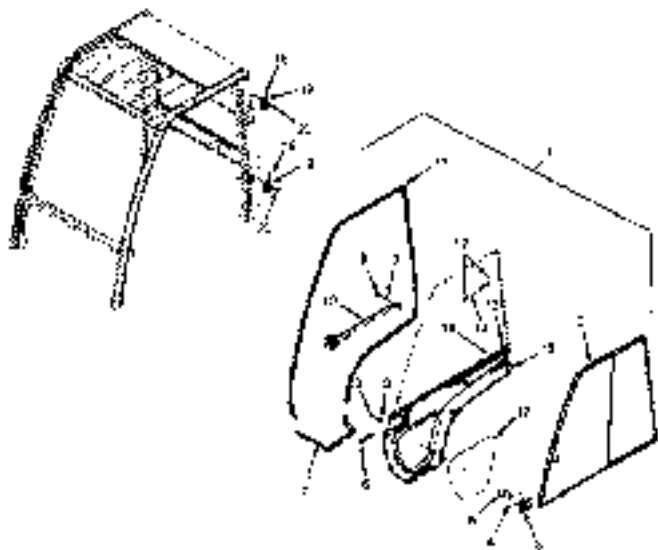
CAB AND ATTACHING PARTS (Figure 1-3)



99-01-01

CAB AND ATTACHING PARTS

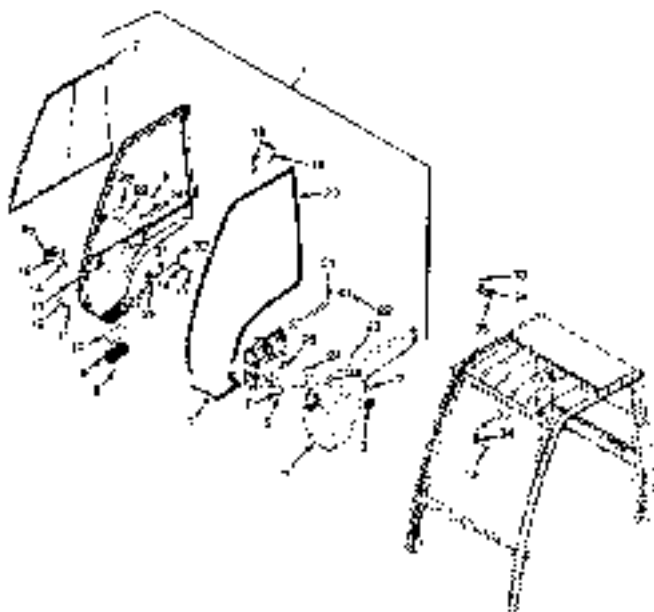
QTY	PART NO	DESCRIPTION	QTY
1	181922	Cab Assembly -# Figure 1-6, # Figure 1-6, # Figure 1-2, # Figure 1-11, # Figure 1-12	1
2	141430	Plug	2
3	463011	Support	3
4	1036813	Nut-Block	1
5	148171	Eye	2
6	128009	Support	3
7	187538	Nut	2
8	161181	Eye (Trans Panel)	1
9	101090	Eye	30
10	188436	Support	3
11	180871	Eye	1
12	148438	Plug	2
13	188416	Plug	1
14	186218	Graphic	1
15	183371	Graphic	1
16	135181	Connect	1

**CAB (Figure 1-6)
LH DOOR**

**CAB
 LH DOOR**

Item	Part No.	Description	Qty
	1018012	Cab Assembly	1
1	1526111	Door Assembly LH	1
2	1526148	Isolating Window LH	1
3	1526120	Top	1
4	1526121	Stem	1
5	1526125	Lower	1
6	098206	Gasket	2
7	1222222	Seal	1
8	522007	Bracket	1
9	322126	Washer	1
10	1222222	Handle and Lock LH	1
11	4514999	Seal	1
12	348004	Pin	2
13	1526090	Plug	2
14	1526089	Cap Screw	1
15	1526088	Fastener	1
16	1526087	Cover LH	1
17	1526086	Bracket (Door, Lower, LH)	1
18	1420112	Washer	2
19	1420088	Hinge LH	2
20	1420088	Roller	12
21	1526080	Plug	5

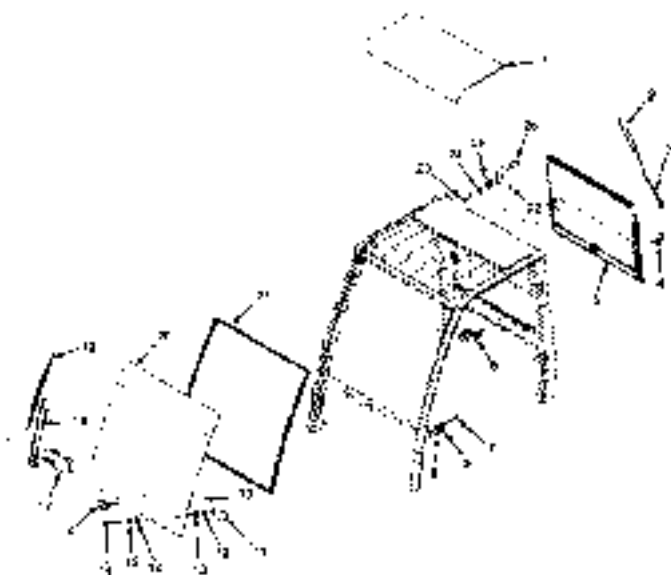
For Details
 see Instructions

CAB (Figure 1-B)
RH DOOR AND HEATER ASSEMBLY

HY 1991

**CAB
 RH DOOR AND HEATER ASSEMBLY**

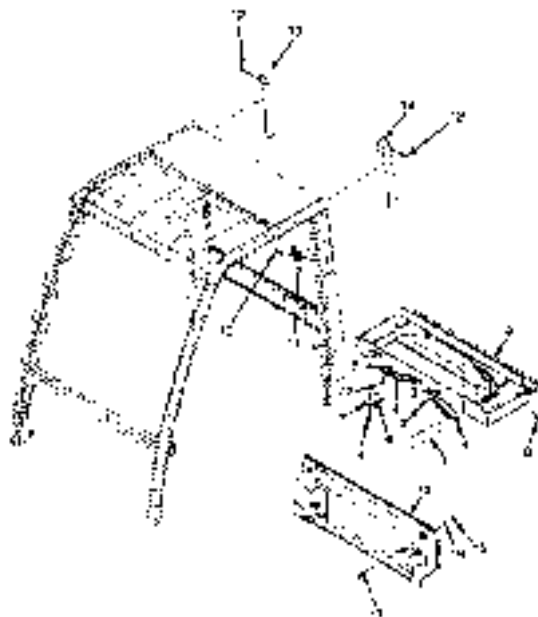
ITEM	PART NO.	DESCRIPTION	QTY
	13-0215	Cab Assembly	1
1	130412	Door Assembly, RH	1
2	130205	Fastener	6
3	130208	Hook	3
4	130407	Lower Door Hing	1
5	130407	H.J.	2
6	127-58	Washer	2
7	130333	Lock	AP
8	150080	Spring	6
9	150043	Pin	1
10	150010	Pin	1
11	302547	Spring	8
12	320158	Washer	8
13	295228	Castor	2
14	150011	Level	1
15	150039	Pin	1
16	150033	Pin	1
17	150013	Sec to Window/Rly	1
18	150015	Pin	2
19	150014	Gas Spring	1
20	1515337	See	AP
21	150004	Heater Assembly	1
22	150010	Pin	1
23	150016	Pin	1
24	150017	Switch	1
25	150012	Pin	1
26	150011	Wire harness	1
27	150010	Connector	2
28	150020	Clamp	1
29	150005	Spring	1
30	150009	Pin	1
31	150020	Plug	9
32	150012	Lock (Pin)	1
33	150006	Pin	2
34	150016	Pin	2
35	150012	Pin	4
36	150016	Pin	1
37	150009	Coarse Pin	4
38	150010	Level	1
39	150017	Washer	2
40	150009	Coarse Pin	2
41	150009	Coarse Pin	2
42	150009	Coarse Pin	12

CAB (Figure 1-10)
WINDOWS AND WINDOW WIPER SYSTEM

- 34 -

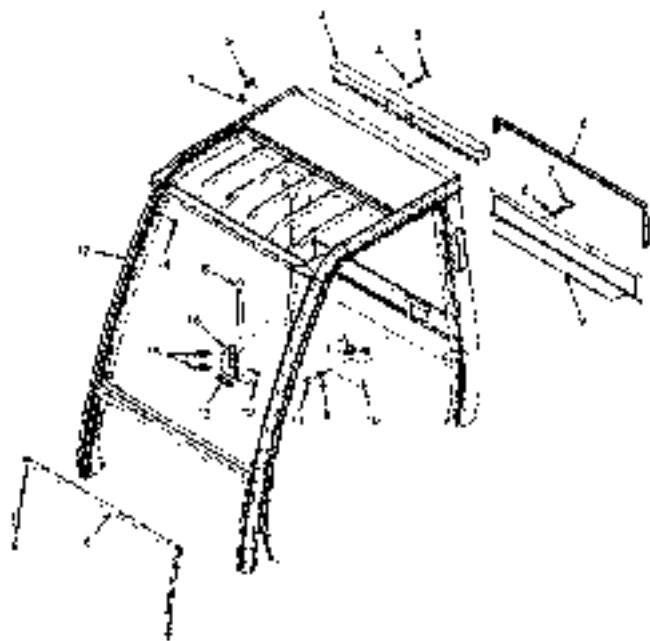
**CAB
WINDOWS & WINDOW WIPER SYSTEM**

ITEM	PART NO	DESCRIPTION	QTY
	141827	Zip-A-Seal®	1
1	148280	Window (Rear)	1
2	1608297	Wiper Blade (Rear)	1
3	148296	Wiper Arm (Rear)	1
4	148338	Connector	2
5	168278	Sealing Window (Head)	1
6	148282	Wiper Motor (Rear)	1
7	1586303	Box	2
8	115296	Clamp	2
9	170468	Bracket	2
10	1483268	Box	4
11	1555210	Bracket	4
12	1555211	Washer	4
13	1485217	Washer	4
14	1485213	Washer	4
15	1485213	Washer	4
16	1485214	Screw	4
17	1525094	Wiper Arm (Front)	1
18	1525095	Wiper Arm (Front)	1
19	1525096	Wiper Blade (Front)	1
20	1525099	Motor (Front)	1
21	1531557	Box	1
22	202543	Screw	2
23	199791	Bracket	2
24	250052	Washer	2
25	1525052	Bracket	2
26	1525051	Bracket	1

**CAB (Figure 1-11)
INTERIOR PANELS**

**CAB
INTERIOR PARTS**

PART	Part No.	Description	QTY
	1516020	Cab Assembly	1
1	1516020	Cover (Rear)	1
2	1468370	Frame	1
3	1596400	Seat	1
4	1508421	Cover (Spinning)	2
5	1488319	Frame	2
6	1493521	Seat	1
7	1563528	Control Light	1
8	1401308	Seat	1
9	1808100	Control (Rear)	1
10	1508422	Frame	2
11	1303166	Support	1
12	1488319	Frame	2
13	1508420	Support (Rt)	1
14	1508426	Support (Lt)	1
15	1508101	Seat	1
16	302136	Washer	1
17	1508427	Frame	1
18	1508102	Cover (Rear)	1

CAB (Figure 1-12)
FRAME AND ATTACHING PARTS

47-1444

**CAB
FRAME AND ATTACHED PARTS**

ITEM	PART NO	DESCRIPTION	QTY
	1911237	Cab Assembly	1
1	1917199	Door Panel	2
2	1926237	Door Panel	2
3	1926231	Door (Right)	1
4	220758	Washer	4
5	29981	Cap Screw	4
6	418837	Key	AM
7	671776	Spring	2
8	320199	Washer	7
9	396839	Clamp (New)	1
10	292329	Weld (1/8")	1
11	29981	Nut	2
12	196832	Pin	2
12	299339	Seal	49
14	196830	Nut	2
15	196832	Pin	2
16	196832	Pin	1
17	1	Page 2	1

FOOTNOTES

1. Not Mated Assembly

**SEAT (Figure 1-13)
FULL SUSPENSION
WITH AND WITHOUT ELECTRONIC CONTROLS**



W 0981

**SEAT
FULL SUSPENSION
WITH AND WITHOUT ELECTRONIC CONTROLS**

KEY:

- A: Full Suspension (Air)
- B: Full Suspension (Coil)
- C: Full Suspension (Air) with Electronic Control Arm
- D: Full Suspension (Coil) with Electronic Control Arm

ITEM	PART NO	DESCRIPTION	QTY			
			A	B	C	D
	1009410	Ful Suspension (Air) (A)	1			
	1009414	Ful Suspension (Coil) (B)		1		
	1009411	Ful Suspension (Air) (C)			1	
	1009418	Ful Suspension (Coil) (D)				1
	1007001	Seat Cushion	1			
	1008402	Seat Cushion		1		1
2	1008404	Seat Seat P.	1	1		1
3	1006700	Rim Cap (A) (A)	1	1		1
4	1007007	Rim Cap (A) (B)	1	1		
0	2070408	Wing Springs	1	1		
0	2070405	Wing Springs				1
0	1470103	Wing P.		1	1	
3	1470102	Wing Adjuster		1	1	
0	1470102	Back Cushion			1	
0	1470103	Back Cushion				
0	1407004	Spring		1	1	
4	1407020	Shock Oil		1	1	
4	1407013	Shock Oil (Electronic Control Arm)			1	1
0	1407017	Knobs (Elect. Control Arm)			1	1

NOTES:

1. Not illustrated

**SEAT (Figure 1-14)
SEMI-SUSPENSION
WITH AND WITHOUT ELECTRONIC CONTROLS**



**SEAT
SEMI-SUSPENSION
WITH AND WITHOUT ELECTRONIC CONTROLS**

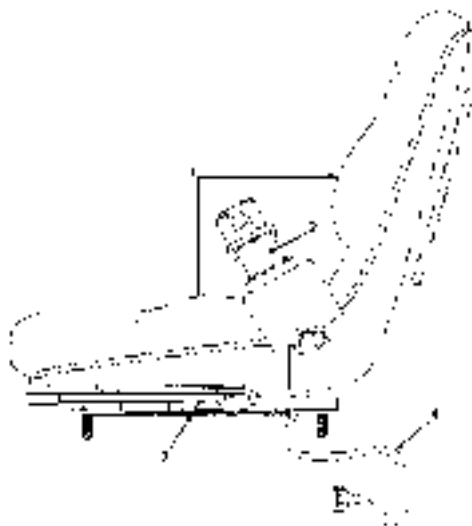
KEY:

- A Seat Suspension (Front)
 B Seat Suspension (Rear)
 C Seat Suspension (Front with Electronic Control Arm)
 D Seat Suspension (Rear with Electronic Control Arm)

ITEM	PART NO.	DESCRIPTION	QTY			
			A	B	C	D
	1573411	Seat Base (by 7/8")	1			
	1573412	Seat Assembly (Cbr)		1		
	1573412	Seat Assembly (Vib)				1
	1573418	Seat Assembly (C-Off)				1
	152112	Seat Cushion (Vib)	1			1
	152114	Seat Cushion (C-Off)		1		
E	1558724	Seat Belt Kit	1			1
Z	1403860	Armrest (L)	1			1
4	1453860	Armrest (R)	1			1
E	2073478	Vib. Harness			1	1
E	1408112	Seat Kit	1			1
Z	1583212	Seat Back Knob	1			1
B	1282111	Seat Cushion (Vib)	1			1
B	1282112	Seat Cushion (C-Off)		1		1
B	1583212	Seat Back Down for Presence	1			1
B	1587246	Seat Assembly Kit	1			1
F	1587216	Seat Cap (Electronic Control Arm)			1	1
B	1583211	Knobs (Electronic Control Arm)			1	1

FOOTNOTES

- 1 Not Available

**SEAT (Figure 1-15)
NON-SUSPENSION
WITHOUT ELECTRONIC CONTROLS**

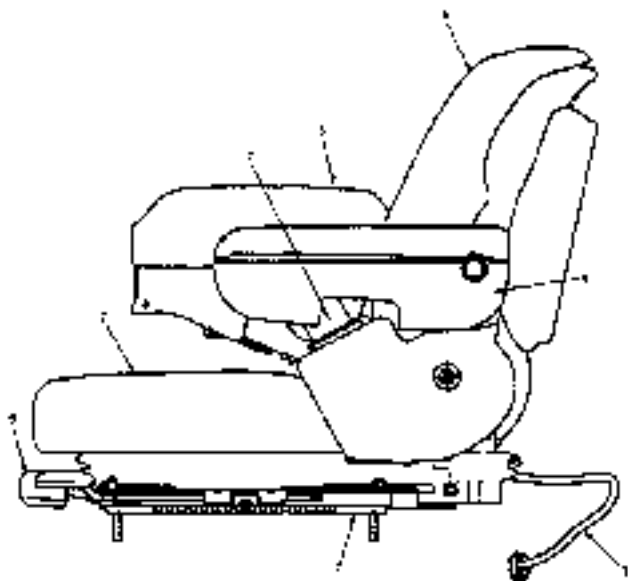
**SEAT
NON-SUSPENSION
WITHOUT ELECTRONIC CONTROLS**

ITEM	PART NO.	DESCRIPTION	QTY
1	126-470	107-5-880-104 Seat (1' x 1' ..	1
1	126-471	Seat Back (1' x 1' ..	1
3	126-472	Seat Back Kit ..	1
3	126-473	Seat Pad ..	1
4	225-428	W/O Kit ..	1
	* 126-474	Seat Kit (1' x 1' ..	1

FOOTNOTES:

* Not Included

SEAT (Figure 1-16)
SWIVEL
WITH AND WITHOUT ELECTRONIC CONTROLS



64786A

**SEAT
SWIVEL
WITH AND WITHOUT ELECTRONIC CONTROLS**

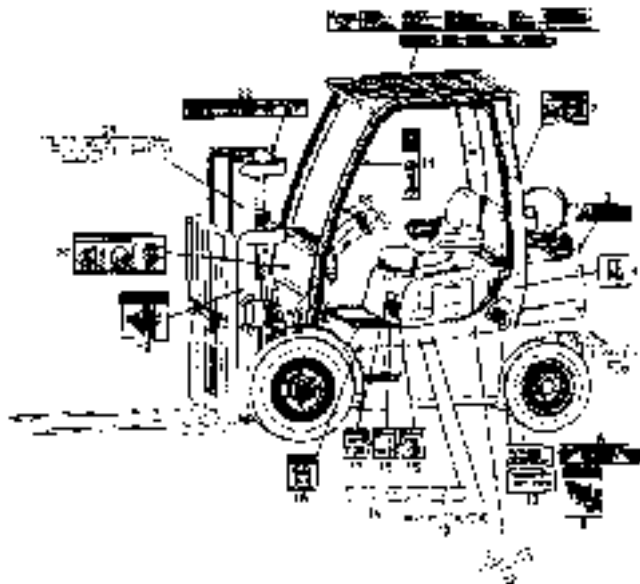
KEY:

- A: Full Suspension (Vibry)
 B: Full Suspension (C-Seat)
 C: Full Suspension (Vibry) with Electronic Control Arms
 D: Full Suspension (C-Seat) with Electronic Control Arms

ITEM	PART NO.	DESCRIPTION	QTY			
			A	B	C	D
	100441	Seat Assembly (Vibry)				
	100442	Seat Assembly (C-Seat)		1		
	100443	Seat Assembly (Vibry)			1	
	100444	Seat Assembly (C-Seat)				1
1	100445	Seat Assembly		1		1
1	100446	Seat Assembly		1		1
2	100447	Seat Assembly			1	1
2	100448	Seat Assembly			1	1
3	100449	Seat Assembly			1	1
4	100450	Seat Assembly		1	1	1
4	100451	Seat Assembly		1	1	1
5	100452	Seat Assembly		1	1	1
6	100453	Seat Assembly		1	1	1
7	100454	Seat Assembly		1	1	1
8	100455	Seat Assembly		1	1	1
9	100456	Seat Assembly		1	1	1
10	100457	Seat Assembly (C-Seat)			1	1
11	100458	Seat Assembly (C-Seat)			1	1
12	100459	Seat Assembly		1	1	1

Footings

- 1: Full Suspension

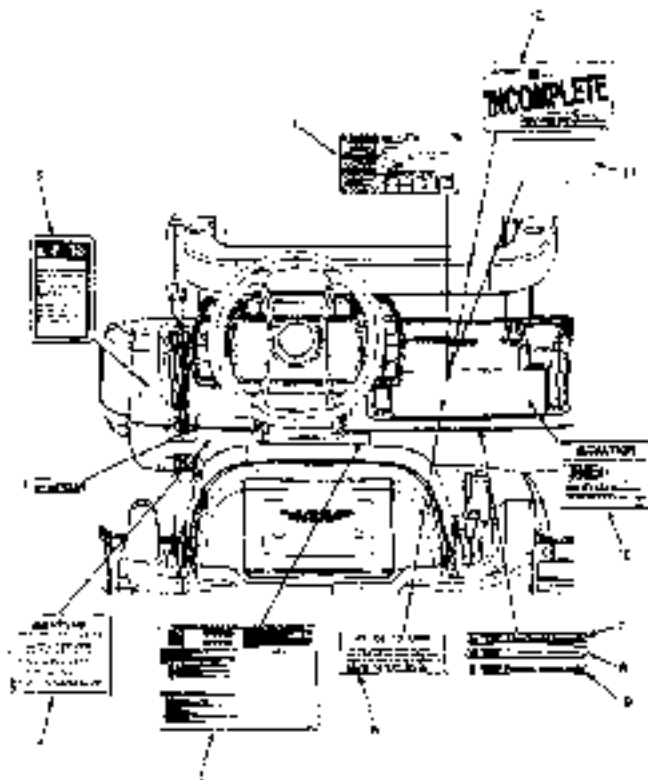
LABELS (Figure 1-17)
EXTERIOR

**LABELS
EXTERIOR**

ITEM	PART NO	DESCRIPTION	QTY
1	207073B	Label (Generator Warning)	1
2	a 203448D	Label (Overheating)	1
3	1994172	Label (Lithium-Ion LPS)	1
4	2074256	Label (Choke Pilot On)	1
5	150283D	Label (Hydraulic Input)	1
6	1502851	Label	2
7	1775876	Label (Broom Drive And Pallets On)	1
8	1943928	Label (Fan Warning)	1
9	1900294	Label (Fan Warning)	2
10	1364165	Label (Anti-Flick)	2
11	1508998	Label (Doser/Overhaul)	2
12	1508305	Label (Model 2 3)	2
13	1508322	Label (Model 2 3)	2
14	1508324	Label (Model 3 3)	2
15	1508328	Label (Model 3 3)	2
16	9001748	Label (Port 4)	2
17	1508440	Label (Hydraulic)	2
18	2014746	Label (Lowback Operator)	1
19	2073417	Label (Lifting Gas Forging)	1
20	a 2073514	Label (Hood Drawing Warning)	1
21	b 2073771	Label (Severe Seal Gouging)	1
22	1502809	Label (No Reverse)	2
23	1502802	Label (Inch Form)	2
24	2073563	Label (Weld Warning)	2
25	1502789	Label (Hydraulic)	2
26	1543248	Label (Weld Warning)	1

FOOTNOTES

- a Replace Only
- b Use Only On Serial Nos. 61018
- c LPS Only

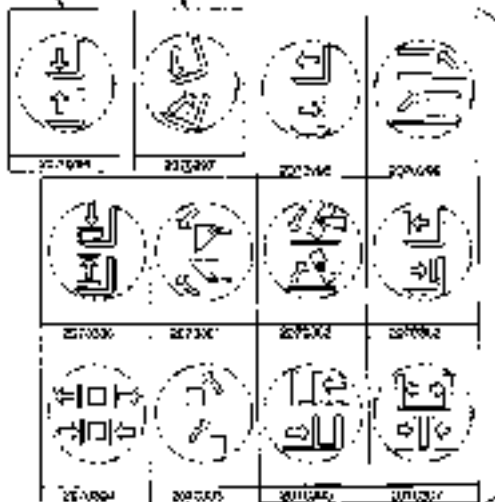
LABELS (Figure 1-18)
INTERIOR

**LABELS
INTERIOR**

ITEM	PLATE NO.	DESCRIPTION	UNIT
1	a	REARVIEW	"
1	117962	Arrow	1
2	2114770	Label (Back Drive Motor)	1
1	148620	Label (Back Drive Motor)	1
4	813484	Label (Back Drive Motor)	1
A	804863	Label (Hydraulic System)	1
A	100138	HYDRA-MAX	1
F	a 1724177	Label (Hydraulic System)	1
B	c 1004777	Label (Hydraulic System)	1
F	800437	Label (HYDRA-MAX)	1
D	1181770	Label (Hydraulic System)	1
"	804863	Label (Hydraulic System)	1
"	1004777	Label (HYDRA-MAX)	1

FOOTNOTES

- # KING HYDRA-MAX
- a CURSOR (Back Drive Motor)
- b Back Drive Motor

LABELS (Figure 1-18)
CONTROL LEVER

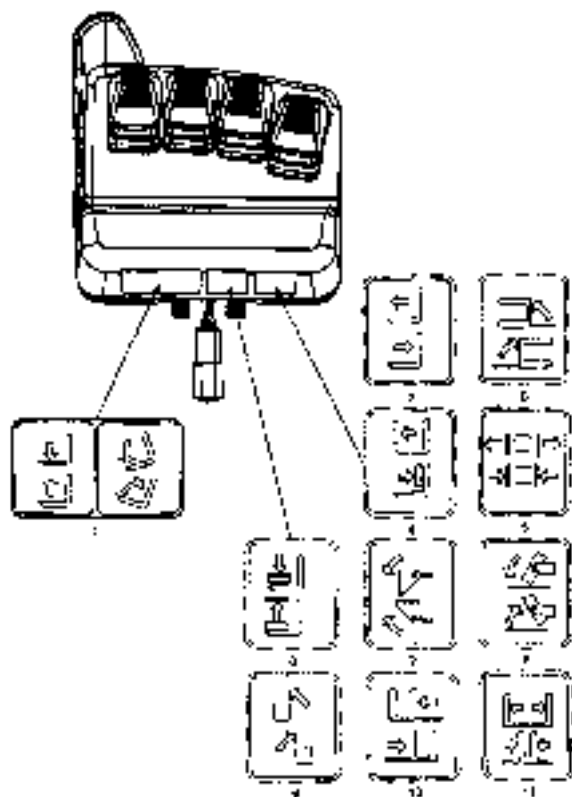
M1702

LABELS CONTROL LEVER

ITEM	PART NO.	DESCRIPTION	QTY
1	3271294	Label (1)	1
2	3271297	Label (2)	1
3	3271298	Label (3)	1
4	3271299	Label (4)	1
5	3271300	Label (5)	1
6	3271301	Label (6)	1
7	3271302	Label (7)	1
8	3271303	Label (8)	1
9	3271304	Label (9)	1
10	3271305	Label (10)	1
11	3271306	Label (11)	1
12	3271307	Label (12)	1

FOOTNOTES

- ▲ Option Function
- Drawing Factor

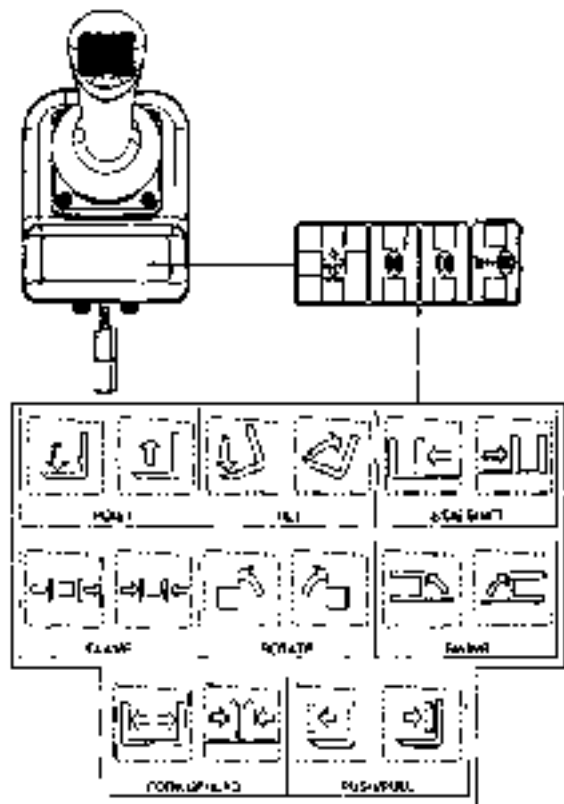
LABELS (Figure 1-20)
ELECTRONIC LEVER

4156A

LABELS
ELECTRONIC LEVER

ITEM	Part No.	Description	QTY
1	2072106	Label (Main Arm Trip)	1
2	2072116	Label (Ramp)	1
3	2072114	Label (Clamp)	1
4	2072118	Label (Main Switch)	1
5	2072117	Label (Saw)	1
6	2072119	Label (Clamp)	1
7	2072116	Label (Main Arm Trip)	1
8	2072120	Label (Clamp)	1
9	2072114	Label (Clamp)	1
10	2072113	Label (Main Arm Trip)	1
11	2072122	Label (Main Switch)	1

LABELS (Figure 1-21)
JOYSTICK



34700

LABELS
JOINTING

ITEM	PART NO	DESCRIPTION	QTY
207348		Label Seal Head and Tail	
2073482		Label Seal Head and Tail (400 g/m ²)	
2073486		Label Seal Head and Tail (Front Spread)	
2073489		Label Seal Head and Tail (Rear Spread)	
2073484		Label Seal Head and Tail (400 g/m ² , 4000 g/m ²)	
2073485		Label Seal Head and Tail (Clamp)	
2073487		Label Seal Head and Tail (Rear Seal, Clamping)	
2073488		Label Seal Head and Tail (400 g/m ² , 4000 g/m ²)	
2073483		Label Seal Head and Tail (400 g/m ² , 4000 g/m ² , Clamping)	
2073491		Label Seal Head and Tail (Rear Clamping)	
2073492		Label Seal Head and Tail (400 g/m ² , 4000 g/m ² , Clamping)	

FORKS (Figure 1-22)



14-1

KEY:

A: Standard Class II (100 mm x 100 mm)

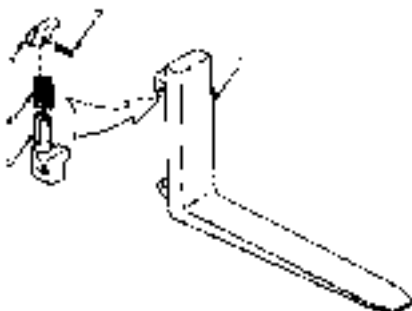
B: Standard Class III (153 mm x 66 mm)

ITEM	PART NO.	DESCRIPTION	QTY	
			A	B
1	100049	Fork (100 mm)	2	1
2	100064	Fork (100 mm)	2	1
3	100064	Fork (100 mm)	2	1
4	100064	Fork (100 mm)	2	1
5	100064	Fork (100 mm)	2	1
6	100064	Fork (100 mm)	2	1
7	100064	Fork (100 mm)	2	1
8	100064	Fork (100 mm)	2	1
9	100064	Fork (100 mm)	2	1
10	100064	Fork (100 mm)	2	1
11	100064	Fork (100 mm)	2	1
12	100064	Fork (100 mm)	2	1
13	100064	Fork (100 mm)	2	1
14	100064	Fork (100 mm)	2	1
15	100064	Fork (100 mm)	2	1
16	100064	Fork (100 mm)	2	1
17	100064	Fork (100 mm)	2	1
18	100064	Fork (100 mm)	2	1
19	100064	Fork (100 mm)	2	1
20	100064	Fork (100 mm)	2	1
21	100064	Fork (100 mm)	2	1
22	100064	Fork (100 mm)	2	1
23	100064	Fork (100 mm)	2	1
24	100064	Fork (100 mm)	2	1
25	100064	Fork (100 mm)	2	1
26	100064	Fork (100 mm)	2	1
27	100064	Fork (100 mm)	2	1
28	100064	Fork (100 mm)	2	1
29	100064	Fork (100 mm)	2	1
30	100064	Fork (100 mm)	2	1
31	100064	Fork (100 mm)	2	1
32	100064	Fork (100 mm)	2	1
33	100064	Fork (100 mm)	2	1
34	100064	Fork (100 mm)	2	1
35	100064	Fork (100 mm)	2	1
36	100064	Fork (100 mm)	2	1
37	100064	Fork (100 mm)	2	1
38	100064	Fork (100 mm)	2	1
39	100064	Fork (100 mm)	2	1
40	100064	Fork (100 mm)	2	1
41	100064	Fork (100 mm)	2	1
42	100064	Fork (100 mm)	2	1
43	100064	Fork (100 mm)	2	1
44	100064	Fork (100 mm)	2	1
45	100064	Fork (100 mm)	2	1
46	100064	Fork (100 mm)	2	1
47	100064	Fork (100 mm)	2	1
48	100064	Fork (100 mm)	2	1
49	100064	Fork (100 mm)	2	1
50	100064	Fork (100 mm)	2	1
51	100064	Fork (100 mm)	2	1
52	100064	Fork (100 mm)	2	1
53	100064	Fork (100 mm)	2	1
54	100064	Fork (100 mm)	2	1
55	100064	Fork (100 mm)	2	1
56	100064	Fork (100 mm)	2	1
57	100064	Fork (100 mm)	2	1
58	100064	Fork (100 mm)	2	1
59	100064	Fork (100 mm)	2	1
60	100064	Fork (100 mm)	2	1
61	100064	Fork (100 mm)	2	1
62	100064	Fork (100 mm)	2	1
63	100064	Fork (100 mm)	2	1
64	100064	Fork (100 mm)	2	1
65	100064	Fork (100 mm)	2	1
66	100064	Fork (100 mm)	2	1
67	100064	Fork (100 mm)	2	1
68	100064	Fork (100 mm)	2	1
69	100064	Fork (100 mm)	2	1
70	100064	Fork (100 mm)	2	1
71	100064	Fork (100 mm)	2	1
72	100064	Fork (100 mm)	2	1
73	100064	Fork (100 mm)	2	1
74	100064	Fork (100 mm)	2	1
75	100064	Fork (100 mm)	2	1
76	100064	Fork (100 mm)	2	1
77	100064	Fork (100 mm)	2	1
78	100064	Fork (100 mm)	2	1
79	100064	Fork (100 mm)	2	1
80	100064	Fork (100 mm)	2	1
81	100064	Fork (100 mm)	2	1
82	100064	Fork (100 mm)	2	1
83	100064	Fork (100 mm)	2	1
84	100064	Fork (100 mm)	2	1
85	100064	Fork (100 mm)	2	1
86	100064	Fork (100 mm)	2	1
87	100064	Fork (100 mm)	2	1
88	100064	Fork (100 mm)	2	1
89	100064	Fork (100 mm)	2	1
90	100064	Fork (100 mm)	2	1
91	100064	Fork (100 mm)	2	1
92	100064	Fork (100 mm)	2	1
93	100064	Fork (100 mm)	2	1
94	100064	Fork (100 mm)	2	1
95	100064	Fork (100 mm)	2	1
96	100064	Fork (100 mm)	2	1
97	100064	Fork (100 mm)	2	1
98	100064	Fork (100 mm)	2	1
99	100064	Fork (100 mm)	2	1
100	100064	Fork (100 mm)	2	1

REQUIREMENTS

1. Refer to the Hyster Forklift Instructions.

FORKS (Figure 1-23) OPTIONAL



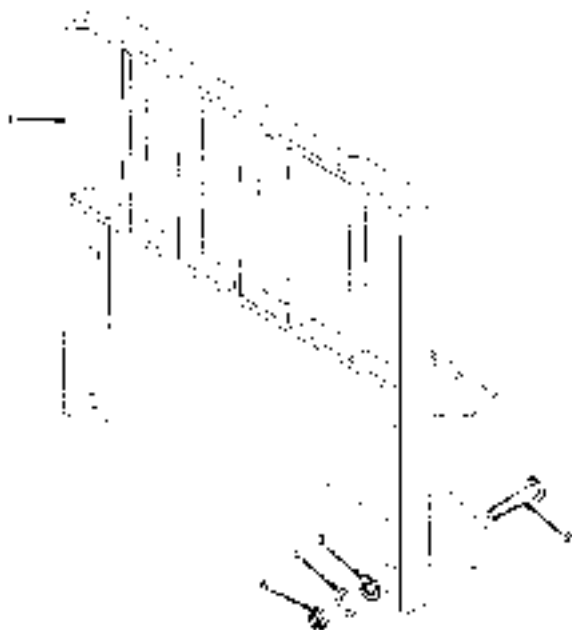
1-23

KEY

A: 108 mm x 43 mm (4 1/4 x 1 3/4 in.) Borehole Taper (M2.8-0.3PT)

B: 115 mm x 50 mm (4 1/2 x 2 in.) Borehole Taper (M3.0-0.3PT)

ITEM	PART NO.	DESCRIPTION	QTY	
			A	B
1	1274262	Lock (1198 mm)		2
1	1273788	Cap (1184 mm)		2
1	1274181	Lock (1408 mm)		2
1	1274263	Lock (967 mm)		2
1	1274264	Lock (1027 mm)		2
1	1274265	Lock (967 mm)		2
1	1274267	Lock (1198 mm)		2
1	1274268	Lock (1198 mm)		2
2	222646	Pin	1	2
3	1179281	Washer	-	1
4	1274272	Spring	-	1
5	1179281	Washer	-	1
5	1274271	Washer	-	1
	1179284	Washer (2288 x 1) (1179284 M7x0.5)	1	-
	1274278	Washer (2288 x 1) (1274278 M7x0.5)	-	1

LOAD BACK REST EXTENSION (Figure 1-24)

L81723

HYSTER

NOTES

2

ENGINE

**SECTION 2
ENGINES**

DESCRIPTION	PAGE
ALTERNATOR AND COIL UNIT CUM 541	2-30
ASSEMBLY PUMP-MOUNTED CUM 541, 1991	2-32
S-1001 1-20-4	2-32
S-1001 2-20-4	2-32
S-1001 3-20-4	2-32
S-1001 4-20-4	2-32
CATERPILLAR ENGINE 2504 MANUAL 25L AND 32L	2-34
DIESEL	2-34
CATERPILLAR ENGINE 2504 MANUAL 25L AND 32L	2-35
LPG	2-35
CATERPILLAR ENGINE HEAD AND MANIFOLD 2504	2-38
LPG	2-38
CATERPILLAR MANIFOLD AND AIRTRAPING PARTS 2504	2-39
LPG	2-39
CATERPILLAR SYSTEM	2-39
CUM 25L, LPG, SQUARE WAVE RADIATOR	2-39
MANUAL 25L AND 32L, LPG, SQUARE WAVE RADIATOR	2-39
BACK POWERSHIFT TRANSMISSION WITH INTERNAL AIR COOLER	2-40
HYDRA-MATIC CONTROL TRANSMISSION WITH INTERNAL AIR COOLER	2-41
L, L, L HYDRA-MATIC CONTROL TRANSMISSION WITH INTERNAL AIR COOLER	2-42
MANUAL 25L AND 32L, DIESEL, SQUARE WAVE RADIATOR	2-43
WITH INTERNAL AIR COOLER	2-43
WITH INTERNAL AIR COOLER	2-43
CATERPILLAR AND PARTS MANUAL 25L AND 32L	2-30
DIESEL	2-30
CATERPILLAR PISTONS AND OIL PAN 2504	2-32
LPG	2-32
CUM 25L BLOCK MANUAL 25L AND 32L	2-34
LPG	2-34
MANUAL 25L AND 32L	2-34
DIESEL	2-34
CUM 2504 HEAD MANUAL 25L AND 32L	2-38
LPG	2-38
MANUAL 25L AND 32L	2-38
DIESEL	2-38

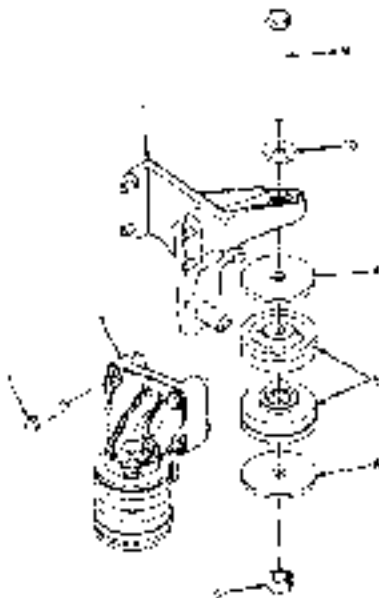
SECTION 2
ENGINES (Continued)

DESCRIPTION	PRICE
ENGINE OIL LINE W/200. 3 D. AM1 2 21 LPG	140
ENGINE MOUNTING EITHER SIDE W/200. 3 D. W/200. 3 D. AM1 2 21 LPG	24
EXHAUST SYSTEM C/S 2 4. LPG	218
EXHAUST SYSTEM C/S 2 4. W/200. 3 D. AM1 2 21 LPG	204
EXHAUST SYSTEM C/S 2 4. TAN/AM1 2 21 AM1 2 21 DIESEL	218
FAN ASSEMBLY W/200. 3 D. AM1 2 21 C/S 2 4	26
FAN BELT AND HUB C/S 2 4	26
FAN BELT AND HUB C/S 2 4	222
FAN BELT AND HUB C/S 2 4	218
GEAR HOUSING W/200. 3 D. AM1 2 21 LPG	274
GEAR HOUSING W/200. 3 D. AM1 2 21 DIESEL	272
GEAR HOUSING W/200. 3 D. AM1 2 21 LPG	200
LUBRICATION SYSTEM W/200. 3 D. AM1 2 21 DIESEL	162
OIL PAN W/200. 3 D. AM1 2 21 DIESEL	278
OIL PAN AND FILTER W/200. 3 D. AM1 2 21 LPG	238
REMOTE OIL FILTER C/S 2 4	247
REMOTE OIL FILTER W/200. 3 D. AM1 2 21 LPG	244
WATER PUMP W/200. 3 D. AM1 2 21 LPG	218
WATER PUMP W/200. 3 D. AM1 2 21	

SECTION 2
ENGINES (Continued)

DESCRIPTION	PAGE
DESKL.	3-6

ENGINE MOUNTING (Figure 2-1)



HYSTER

ENGINE MOUNTING**KEY:**

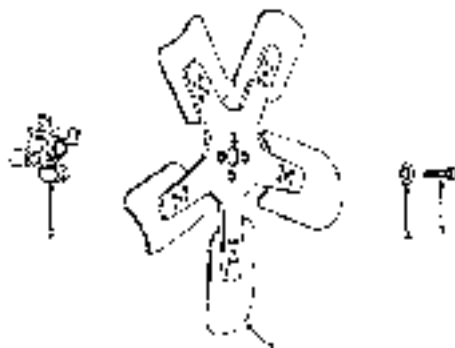
A. Massey Ferguson

B. Cummins Engine

C. Yamaha Diesel Engine

ITEM	PART NO.	DESCRIPTION	QTY		
			A	B	C
1	144141W	Engine Mount (R)	1		
1	144141R	Engine Mount (L)	1		
2	155170T	Engine Mount			2
3	154118A	Engine Mount (2x)		1	
1	155318E	Engine Mount Flange		1	
8	155171T	Washer	2	2	2
9	155172T	Washer	2	2	2
6	155143C	Hex. Flange	2	2	2
7	155142C	Cap screw	8	8	8
4	155173C	Washer	2	2	2
5	155116C	Block Flange			2
9	155119C	Cap screw		7	
1	155117C	Cap screw			2
10	28812C	Washer			2

FAN ASSEMBLY (Figure 2-2)



KEY

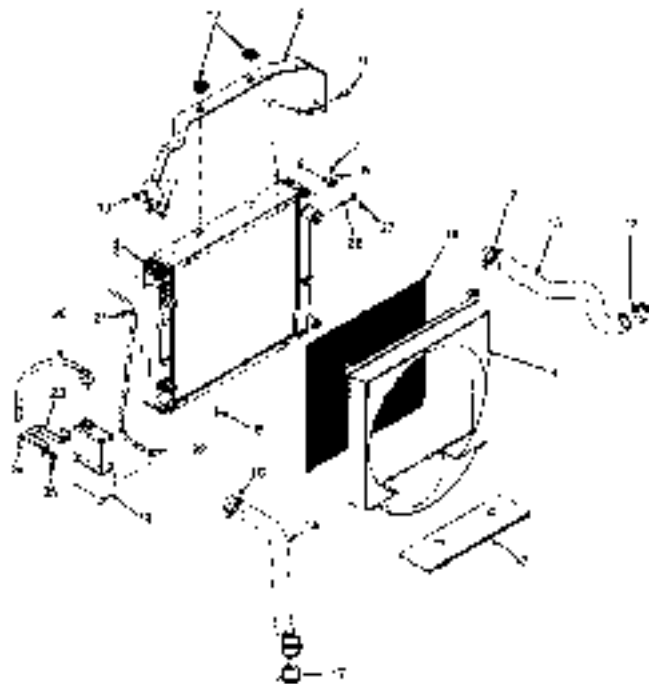
- A. Hyster Engine
 B. Old King Fan
 C. Hyster Diesel Engine

ITEM	PART NO.	DESCRIPTION	QTY		
			A	B	C
1	1271011	Fan	1	1	1
2	1621141	Bracket	1		
3	1271111	Bracket			1
4	1621111	Bracket	2		2
5	1621111	Bracket		8	
6	2981111	Bracket	2	4	2

HYSTER

NOTES

COOLING SYSTEM (Figure 2-3)
MAZDA 2.0L AND 2.2L (PG) SERPENTINE RADIATOR
BASIC POWERSHIFT TRANSMISSION



300000

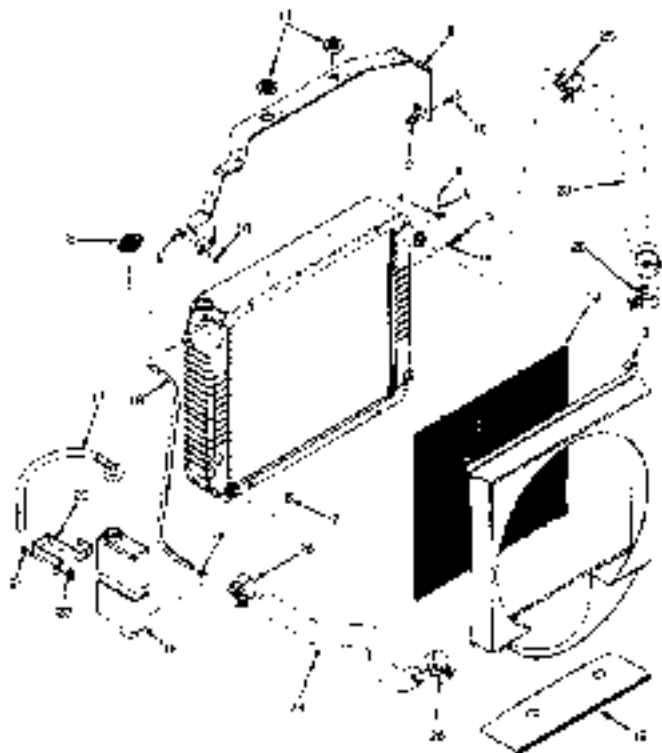
**COOLING SYSTEM
MODEL 2 BL AND 2.2L LPG SERPENTINE RADIATOR
BASIC POWERLIFT TRANSMISSION**

ITEM	Part No.	DESCRIPTION	QTY
1	306875	Bracket	1
2	1528499	Drain Plug	1
3	152740	Cap.	1
4	1520254	Strut	1
5	1525257	Cap.	2
6	127154	Washer	2
7	305222	Screw	2
8	1522771	Cap.	2
9	1522708	Bracket (Radiator)	1
10	1520213	Bracket	4
11	1542017	Capacitor	4
12	1529187	Washer	4
13	1525587	Strut (Fahrenheit)	1
14	1525591	Strut (Fahrenheit)	1
15	2084884	Washer (Screw)	1
16	1520200	Washer	1
17	1521984	Washer	3
18	1521987	Screw	1
19	1541004	Washer	1
20	1521980	Washer (Fahrenheit)	1
21	1525556	Strut (Fahrenheit)	1
22	1541460	Washer (Fahrenheit)	1
23	1521984	Washer	1
24	1521987	Screw	1
25	1521980	Washer	2
26	1521987	Washer	1
27	1521984	Washer (for Cooling Level)	1
28	1521987	Washer	1
29	1521987	Washer	1
30	1521987	Washer	1
31	1521987	Washer	1
32	1521987	Washer	2
33	1521987	Washer	1
34	1521987	Washer	1
35	1521987	Washer	2
36	1521987	Washer (for Cooling Level)	1
37	1521987	Washer	1

FOOTNOTES:

1. Washer (for Cooling Level) Item 27

COOLING SYSTEM (Figure 2-4)
MAZDA 2.0L AND 2.2L LPG SQUARE MOUNT RADIATOR
BASIC POWERSHIFT TRANSMISSION, WITH INTERNAL AIR OIL COOLER



- 2 -

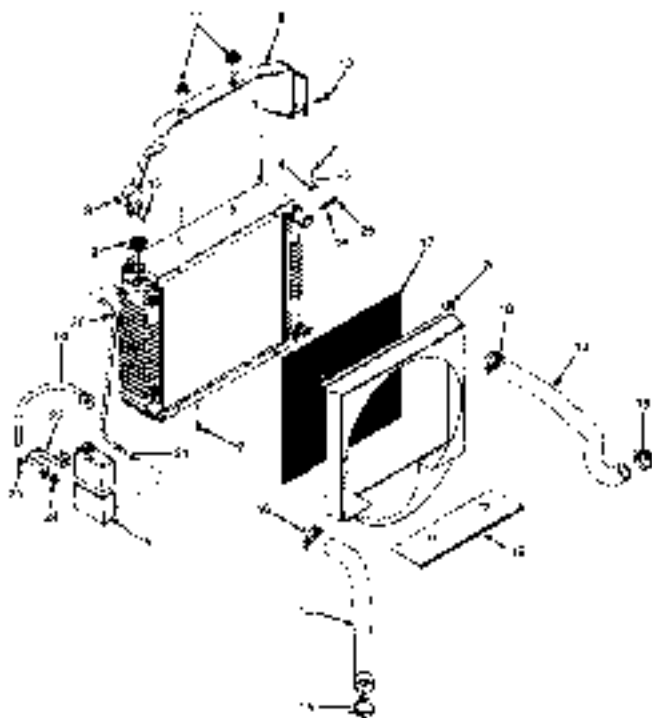
COOLING SYSTEM
MAZDA 3.0L AND 3.3L, LPG, BOLIVAR PANE RADIATOR
BASIC POWERSHIFT TRANSMISSION WITH INTERNAL AIR OIL COOLER

Qty	Part No.	Description	Qty
1	2056075	Flange	1
1	1886076	Downcomer (With Throat Arm)	1
2	1537140	Cap	1
3	1536351	Shroud	1
4	1335297	Clip	2
5	327154	Washer	2
6	303020	Scrub	2
7	1329071	Clip	2
8	1540507	Distributor (Radiator)	1
8	1530563	Wash	4
13	1540411	Capacitor	4
14	1536787	Washer	4
16	1556291	Strainer (Circuit)	1
13	1366437	Bracket	1
14	1521434	Sensor (Low Coolant Level)	1
15	14265	Plug	1
18	1367398	Resistor	1
17	345135	Coupler Assembly	1
17	345453	Outlet (Resistor)	1
17	345184	Cap	1
17	336250	Washer	1
17	329730	Wash	1
18	1557874	Wash	1
18	362615	Wash	2
20	1521187	Strainer	1
21	1557879	Capacitor	2
22	1400301	Cap Nut	2
23	3066846	Wash (App)	1
24	3066848	Wash (Inlet)	1
25	1521080	Wash	1
26	1527840	Wash	4

FOOTNOTES:

- 1. Washers Low Coolant Level Sensor

COOLING SYSTEM (Figure 2-5)

NAZDA 2.0L AND 2.2L, LPG, SQUARE WAVE RADIATOR
ELECTRONIC CONTROL TRANSMISSION, WITH INTERNAL AIR OIL COOLER

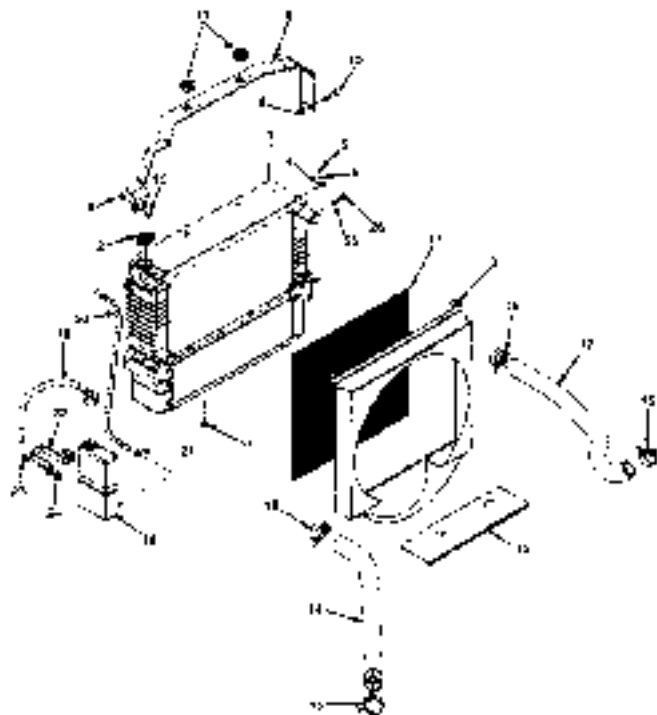
COOLING SYSTEM
MAZDA 2.0L AND 2.3L, LPO, SQUARE HOVE RADIATOR
ELECTRONIC CONTROL TRANSMISSION, WITH INTERNAL AIR OIL COOLER

ITEM	PART NO.	DESCRIPTION	QTY
1	1001K13	Radiator Assembly	1
1	1049D78	Draincock (With 1/8" Hose W/O)	1
1	1017795	Capacitor	1
2	1207140	Cap	1
3	1044E37	Shroud	1
4	1036237	Clb	2
5	120154	Washer	2
6	107023	Scree	2
7	1051853	Clb	2
8	15493-P	Emboss (Tachistat)	1
8	1500447	res-L	1
10	10008-1	Capacitor	1
11	1070787	Washer	1
12	1005832	Shield (Exhaust)	1
13	3066711	Washer (Upper)	1
14	3066702	Washer (Lower)	1
15	1002000	Clamp	1
16	1027362	Clamp	3
17	1002076	Spacer	1
18	1017320	Washer	1
19	340435	Outlet Assembly	1
19	107880	Washer	1
19	340437	Outlet (Receiver)	1
19	340434	Clb	1
19	107736	Washer	1
20	1007374	Washer	1
21	300815	Clamp	2
22	1071467	Washer	1
23	1027072	Capacitor	2
24	1083217	Clb (Half)	2
25	1001454	Sensor (Low Coolant Level)	1
26	14396	Plg	1

FOOTNOTES:

- * Refer to Low Coolant Level Sensor

COOLING SYSTEM (Figure 2-6)
MAZDA 2.0L AND 3.2L IHD, SQUARE WAVE RADIIATOR,
ELECTRONIC CONTROL TRANSMISSION WITH EXTERNAL AIR DIL COOLER

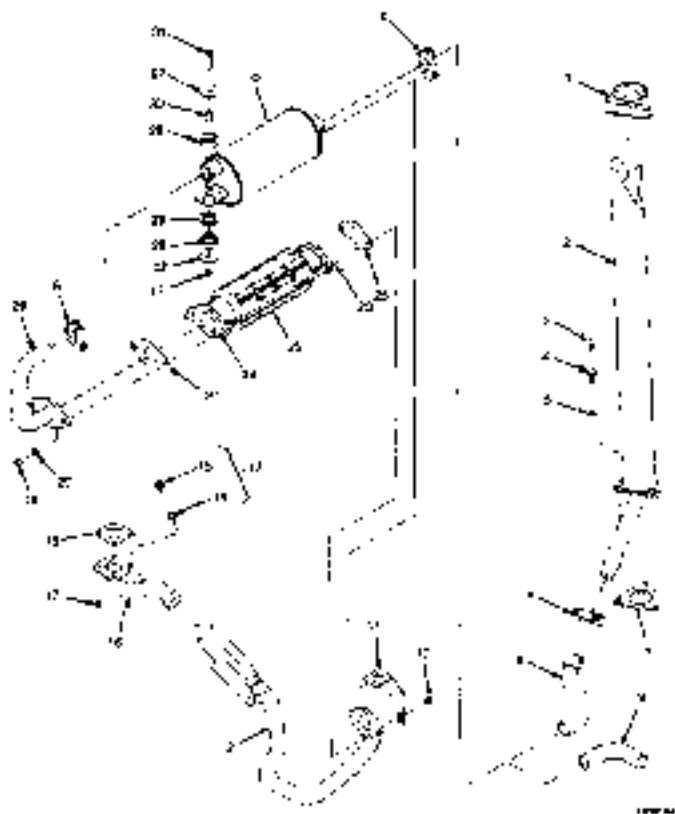


COOLING SYSTEM
MAZDA 2.0L AND 2.2L, LPG, SQUARE WAVE RADIATOR
ELECTRONIC CONTROL TRANSMISSION, WITH EXTERNAL AIR OIL COOLER

ITEM	REF. NO.	DESCRIPTION	QTY
1	2074799	Radiator Assembly	1
1	1530211	Sealant	1
1	1930118	Oil Drain	1
1	137166	Washer	1
1	1537766	Seal	1
2	1337140	Clamp	1
3	1032074	Breeds	1
4	1538257	Cap	2
5	303154	Washer	3
6	342323	Screw	2
7	1531663	Cap	2
8	1531017	Washer (Plastic)	1
9	1530243	Nut	4
10	1531611	Capacitor	1
11	1529187	Washer	1
12	1925653	Shield (Cover)	1
13	3035070	Flare Nut (Steel)	1
14	3035164	Flare Nut (Steel)	1
15	1925000	Clamp	1
16	1527582	Clamp	3
17	532578	Gasket	1
18	1497096	Radiator	1
19	345483	Cover Assembly	1
19	345550	Washer	1
19	345483	Clamp (Plastic)	1
19	345484	Cap	1
19	345425	Seal	1
20	1561874	Nut	1
21	166811	Clamp	2
22	1531761	Breeds	1
23	1832870	Discriminator	2
24	1490741	Clamp	1
24	1531464	Sensor (Low-Coolant Level)	1
26	143385	Plug	1

FOOTNOTES

1. Without Low-Coolant Sensor

EXHAUST SYSTEM (Figure 2-7)
MAZDA 2.0L AND 2.2L
LPG

**EXHAUST SYSTEM
RAZOR L.H. AND R.H.
LPG**

NOTE:

A= WITH Catalytic Converter

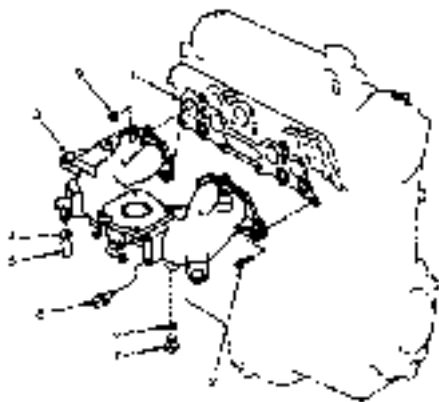
B= WITHOUT Catalytic Converter

ITEM	PART NO	DESCRIPTION	QTY	
			A	B
1	5621288	Cover	1	1
2	1524754	Exhaust Pipe	1	1
3	1524755	Flange Nut	1	1
4	1888073	Connector	1	1
5	625179	Washer	1	1
6	1888074	Clamp	2	2
7	1821038	Clamp	1	1
8	1625503	Exhaust Nut	1	1
9	1888075	Flange Nut	1	1
10	1489471	Flange Nut	2	2
11	1625503	Exhaust Nut	1	1
12	1625503	Exhaust Nut	1	1
13	1625518	Flange Nut	1	1
14	1625102	Flange Nut	1	1
15	1821038	Clamp	1	1
16	1825518	Exhaust Nut	1	1
17	1625503	Lock Nut	4	4
18	1825507	Cover	1	1
19	1625400	Nut	2	2
20	262530	Connector	3	3
21	1888078	Cover	1	1
22	1489347	Catalytic Converter	1	1
23	1625503	Nut	2	2
24	1625503	Nut	1	1
25	1625517	Clamp	1	1
26	1625517	Exhaust Nut	1	1
27	1725508	Washer	1	1
28	1825507	Flange	1	2
29	1625508	Washer	1	1
30	1625504	Bush	2	2
31	1625518	Connector	1	2
32	2625307	Flange	1	1

**EXHAUST MANIFOLD (Figure 2-6)
MAZDA 2.0L AND 2.2L
LPG**

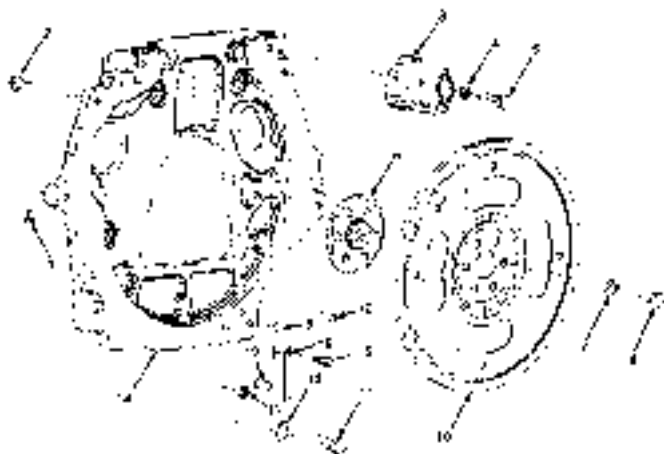
**EXHAUST MANIFOLD
MAZDA Z.D. AND Z.J.
LPG**

ITEM	PART NO.	DESCRIPTION	QTY
1	141-100	Box	1
2	141-101	Cover	1
3	141-102	Cover Nut	1
4	141-103	Washer	1
5	141-104	Nut	1
6	141-105	Washer	1
7	141-106	Washer	1
8	141-107	Washer	1
9	141-108	Washer	1

**INTAKE MANIFOLD (FIGURE 2-9)
MAZDA 2.0L AND 2.3L
LPG**

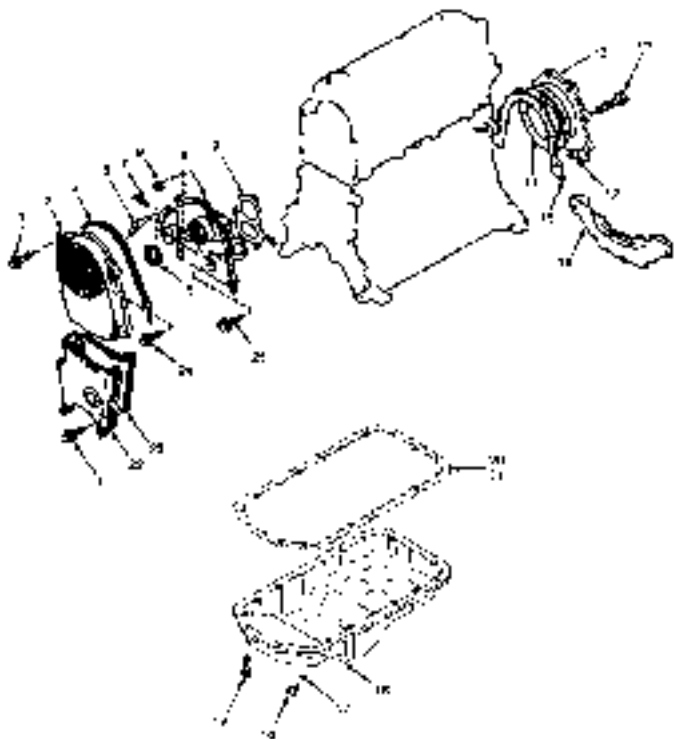
INTAKE MANIFOLD
MAZDA 2.0L AMP 2.2L
LPG

ITEM	PART NO.	DESCRIPTION	QTY
1	157271	Clamp	1
2	157272	Pin	2
3	157273	Intake manifold	1
4	157274	Clamp	1
5	157275	Pin	1
6	157276	Washer	1
7	157277	Nut	1
8	157278	Washer (for 157277)	1
9	157279	Nut	1

FLYNNHEEL AND HOUSING (Figure 2-10)
MAZDA 2.0L AND 2.2L
LPG

FLYWHEEL AND HOUSING
MAZDA 2.0L AND 2.2L
LPG

ITEM	PART NO	DESCRIPTION	QTY
1	1504111	Capacitor	3
2	1507336	Capacitor	2
3	1507336	Capacitor	1
4	15084	COILWINDING	10
5	150517	Capacitor	10
6	1504170	ADAPTER	1
7	20014	WHEEL	6
8	1528114	Capacitor	6
9	1504103	Resistor	1
10	1504101	Flywheel	1
11	2073114	Capacitor	6
12	300130	Pin	2
13	00014	WHEEL	6
14	1503366	FLYWHEEL HOUSING	1
15	1504113	Capacitor	1
16	1504117	SPRING	1
17	1504117	SPRING	1

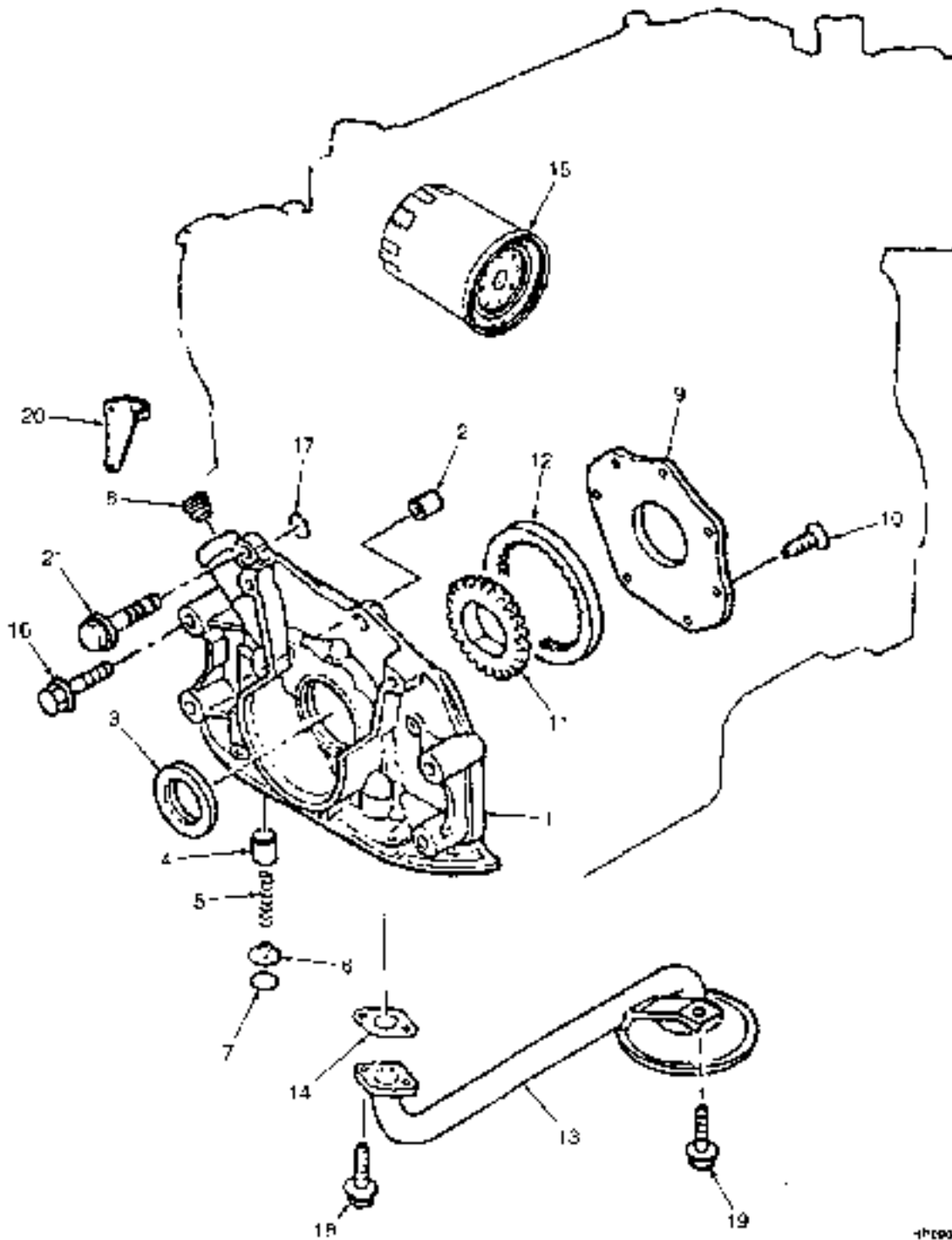
TIMING GEAR COVER AND OIL PAN (Figure 2-11)
MAZDA 2.0L AND 2.5L
LPG

400114

**TIMING GEAR COVER AND OIL PAN
MAZDA 2.0L AND 2.2L
LPG**

ITEM	PART NO.	DESCRIPTION	QTY
	1587843	Engine Block (Long) (2.0L, LPG).....	1
	1587845	Engine Block (Long) (2.2L, LPG).....	1
1	1362001	Bolt.....	5
2	1553716	Cover (Upper Timing Belt) (2.0L).....	1
2	2029084	Cover (Upper Timing Belt) (2.2L).....	1
3	1553717	Gasket (2.0L).....	1
3	2028854	Gasket (2.2L).....	1
4	2051129	Housing Assembly (2.2L).....	1
4	1553715	Housing Assembly (2.0L).....	1
5	1361688	Oil Seal.....	1
5	1361692	Hose.....	1
7	1362012	Stud.....	2
8	326504	Nut.....	1
9	1361679	Gasket.....	1
10	1361689	Cover Assembly.....	1
11	1361691	Oil Seal (Rear).....	1
12	1362010	Pin.....	2
13	1362011	Bolt.....	6
14	1371652	Cover.....	1
15	1361680	Gasket.....	1
16	1361680	Oil Pan Assembly (2.0L).....	1
16	2029082	Oil Pan Assembly (2.2L).....	1
17	1362015	Gasket.....	1
18	1361681	Drain Plug.....	1
19	1370736	Capscrew.....	19
20	1361682	Gasket (Oil Pan).....	1
21	1370737	Sealant.....	1
22	2051128	Cover.....	1
23	2028853	Gasket.....	1
24	2029086	Bolt.....	1
25	1369993	Bolt.....	2
	2045036	Gasket Kit (Includes Items 3, 5, 9-11, 20, 23).....	1

OIL PUMP AND FILTER (Figure 2-12) MAZDA 2.0L AND 2.2L LPG

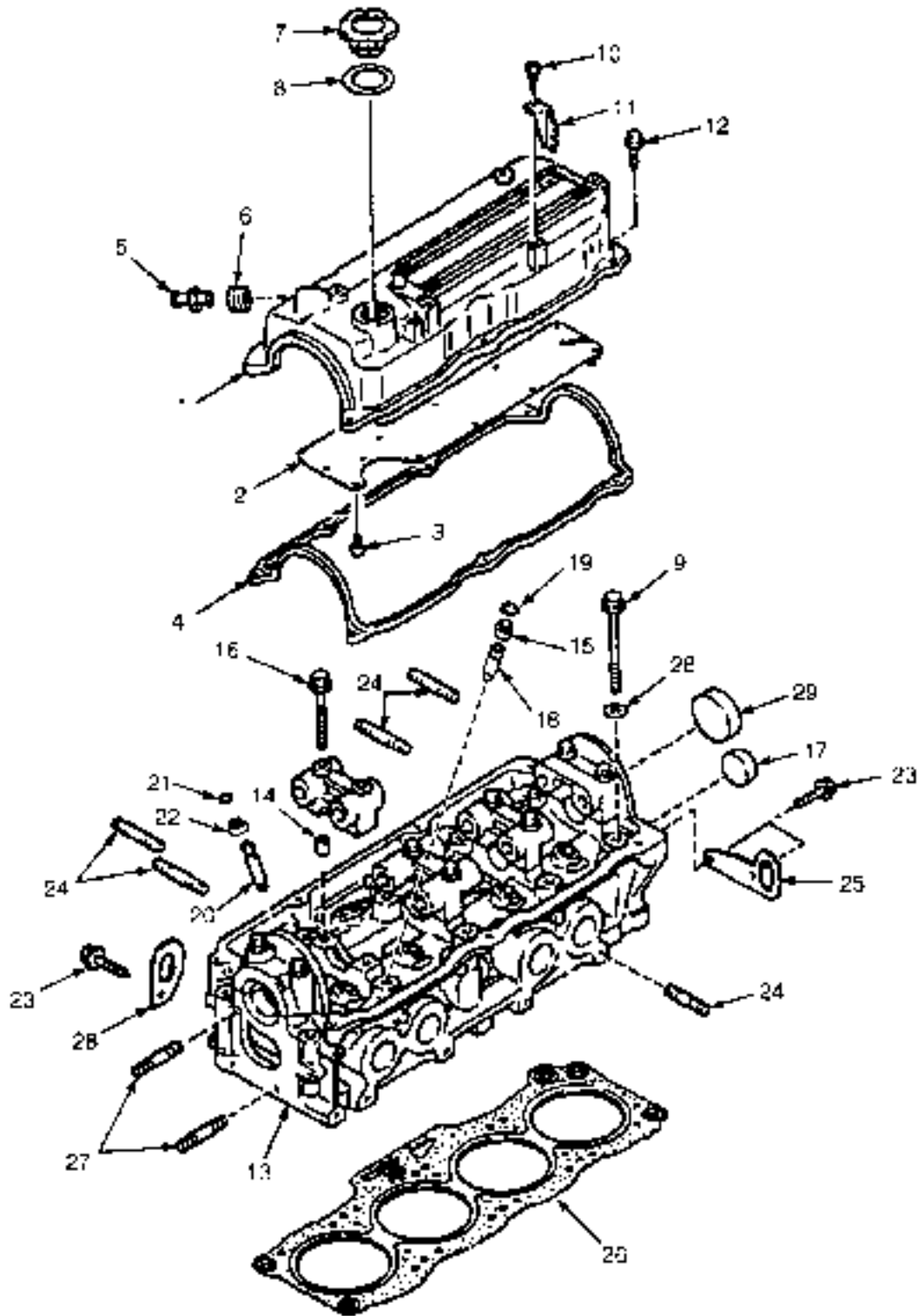


4H200424

**OIL PUMP AND FILTER
MAZDA 2.0L AND 2.2L
LPG**

ITEM	PART NO.	DESCRIPTION	QTY
	1587843	Engine Block (Long) (2.0L, LPG).....	1
	1587845	Engine Block (Long) (2.2L, LPG).....	1
1	1455676	Oil Pump	1
2	1361798	Pin	2
3	1361888	Oil Seal	1
4	1455674	Plunger	1
5	326748	Spring.....	1
6	326749	Seal	1
7	1361879	Snap Ring	1
8	1495426	Plug	1
9	2029100	Cover.....	1
10	1455677	Screw	7
11	2029101	Gear.....	1
12	2029102	Gear.....	1
13	1361806	Strainer.....	1
14	1361807	Gasket	1
15	333642	Filter	1
16	1553875	Bolt	2
17	1361801	O-Ring	1
18	1361878	Screw	2
19	1361868	Screw	1
20	1495427	Pin (Top Indicator)	1
21	2029103	Bolt	6

CYLINDER HEAD (Figure 2-13) MAZDA 2.0L AND 2.2L LPG

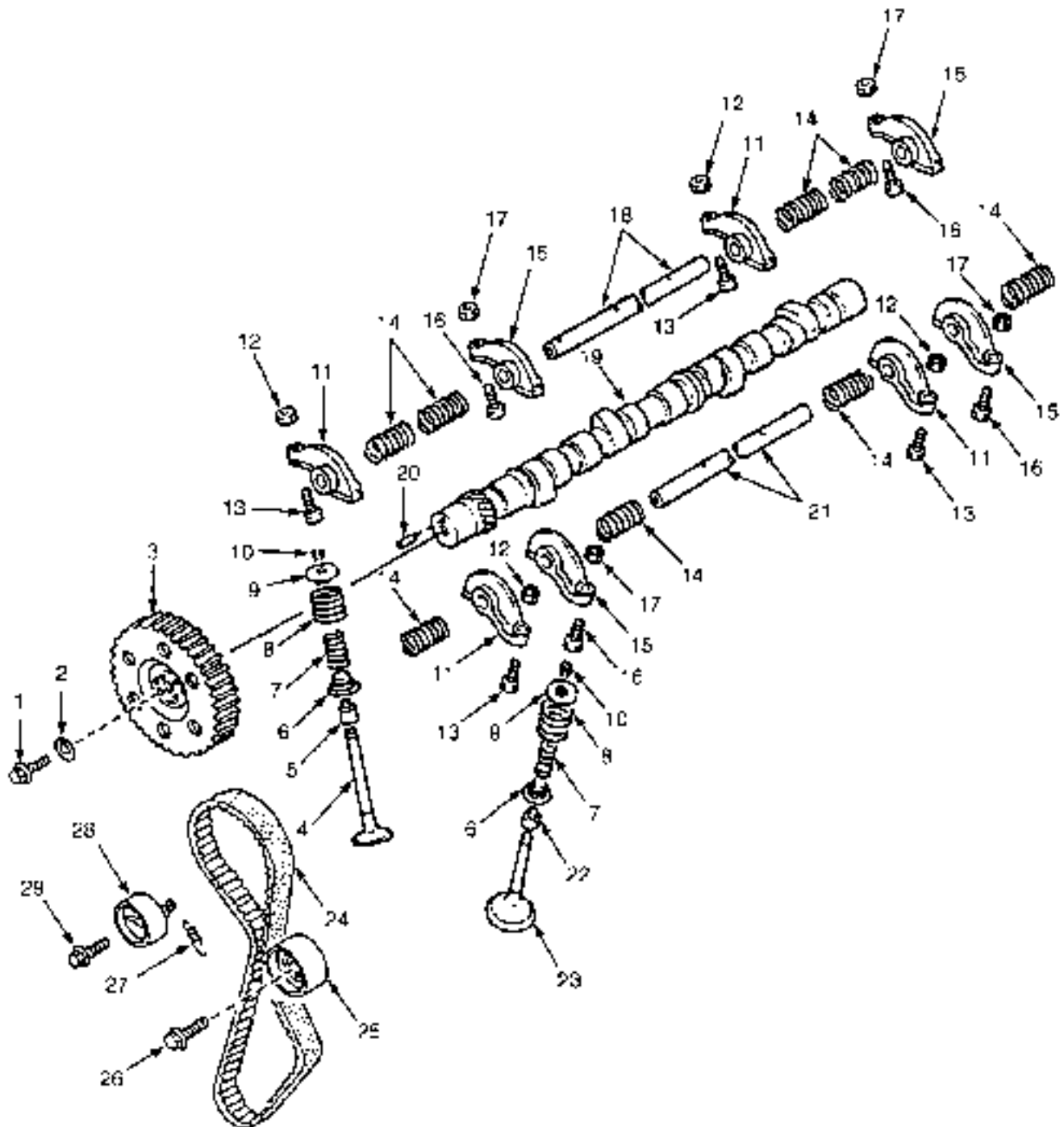


MF002603

**CYLINDER HEAD
MAZDA 2.0L AND 2.2L
LPG**

ITEM	PART NO.	DESCRIPTION	QTY
	1587843	Engine Block (Long) (2.0L, LPG)	1
	1587845	Engine Block (Long) (2.2L, LPG)	1
1	1360883	Cover Assembly (LPG)	1
2	1360884	Plate	1
3	2022655	Screw	10
4	1360886	Gasket	1
5	1360893	Valve (PCV, LPG)	1
6	1360892	Seal	1
7	1360887	Cap (O ₂)	1
8	1360888	Gasket	1
9	1360880	Bolt	10
10	1362000	Screw	2
11	1380885	Cord Protector	2
12	1362001	Bolt	7
13	1360878	Cylinder Head	1
14	1362002	Pin	10
15	1361719	Seal (Exhaust Valve)	4
16	1361894	Bolt	10
17	1362003	Plug	1
18	1360895	Valve Guide Assembly	4
19	1360879	Clip	1
20	1360895	Valve Guide Assembly	4
21	1360879	Clip	4
22	1381718	Seal (Inlet Valve)	4
23	1361898	Bolt	2
24	1361897	Stud	20
25	2314873	Hanger	1
26	2045321	Gasket (Cylinder Head)	1
27	1361899	Stud	2
28	1360881	Washer	10
29	1360882	Cap	1

CAMSHAFT AND VALVES (Figure 2-14) MAZDA 2.0L AND 2.2L LPG

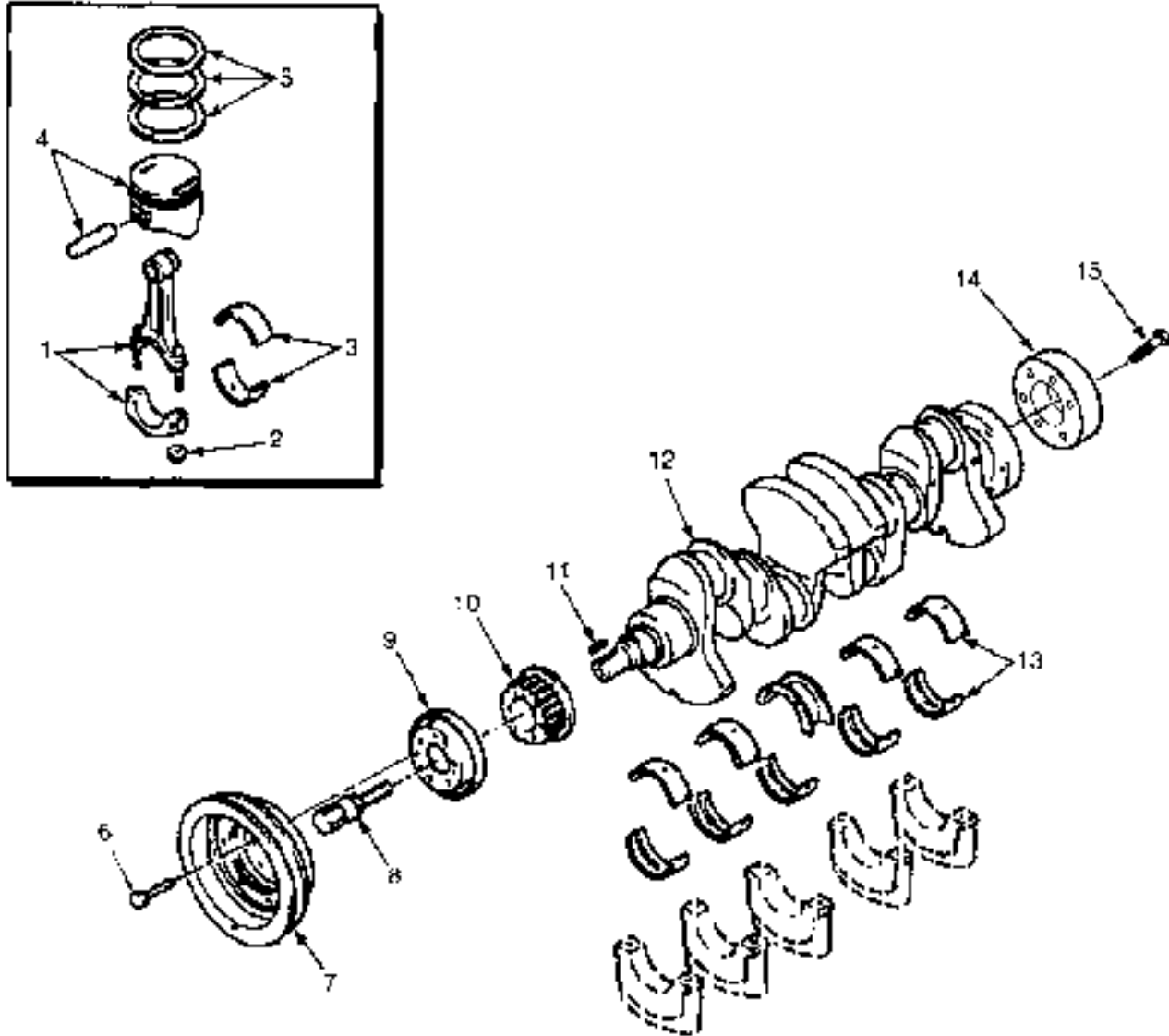


HP001036

**CAMSHAFT AND VALVES
MAZDA 2.0L AND 2.2L
LPG**

ITEM	PART NO.	DESCRIPTION	QTY
	1587843	Engine Block (Long) (2.0L, LPG).....	1
	1587845	Engine Block (Long) (2.2L, LPG).....	1
	1361736	Bolt.....	1
2	1361737	Washer.....	1
3	2029095	Pulley (Camshaft).....	1
4	1361720	Valve (Intake).....	4
5	1361718	Seal	4
6	1361724	Seat.....	8
7	1361723	Spring.....	8
8	1361722	Spring.....	8
9	1361721	Valve Seat.....	8
10	328612	Keeper.....	16
11	1361726	Rocker Arm	4
12	1361728	Nut.....	4
13	1361727	Screw.....	4
14	1361731	Spring.....	8
15	1361729	Rocker Arm	4
16	1361727	Screw.....	4
17	1361728	Nut.....	4
18	1361730	Shaft.....	1
19	1361734	Camshaft	1
20	1361717	Pin	1
21	1361732	Shaft	1
22	1361719	Seal	4
23	1361725	Valve (Exhaust)	4
24	1553762	Timing Belt (2.0L)	1
24	2028852	Timing Belt (2.2L)	1
25	2029098	Idler.....	1
26	1361864	Bolt.....	1
27	1553763	Spring (2.0L)	1
27	2029086	Spring (2.2L)	1
28	2029087	Belt Tensioner.....	1
29	1362016	Bolt.....	1

CRANKSHAFT AND PISTONS (Figure 2-15) MAZDA 2.0L AND 2.2L LPG



HP000497

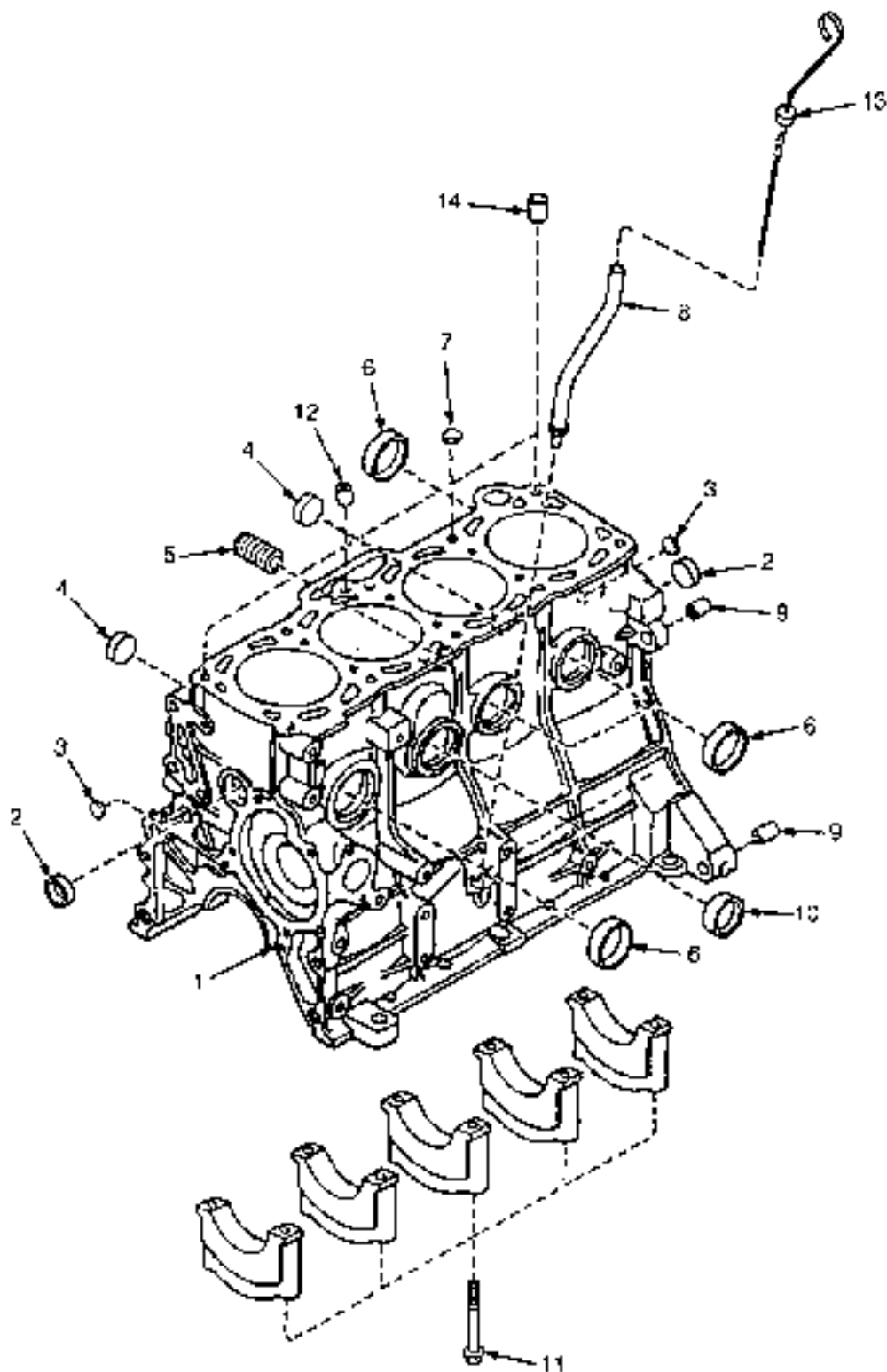
CRANKSHAFT AND PISTONS

MAZDA 2.0L AND 2.2L LPG

KEY:**A:** Mazda 2.0L LPG Engine**B:** Mazda 2.2L LPG Engine

ITEM	PART NO.	DESCRIPTION	QTY	
			A	B
	1587843	Engine Block (Long) (2.0L, LPG)	1	..
	1587845	Engine Block (Long) (2.2L, LPG)	1
1	1361694	Piston Roc Assembly	4	..
1	1370746	Piston Roc Assembly	4
2	1361695	Nut	2	2
3	1361703	Bearing Set (Standard)	1	1
3	1361704	Bearing Set (0.25 mm)	1	1
3	1361705	Bearing Set (0.50 mm)	1	1
3	1361706	Bearing Set (0.75 mm)	1	1
4	1572593	Piston (Standard)	4	..
4	1572597	Piston (0.25 mm)	4	..
4	1572595	Piston (0.50 mm)	4	..
4	1572594	Piston (Standard)	4
4	1572596	Piston (0.25 mm)	4
4	1572598	Piston (0.50 mm)	4
5	1495473	Piston Ring Set (Standard)	1	1
5	1495475	Piston Ring Set (0.25 mm)	1	1
5	1495474	Piston Ring Set (0.50 mm)	1	1
6	1361700	Bolt	6	6
7	1495472	Pulley	1	1
8	1361701	Bolt	1	1
9	2045033	Plate	1	1
10	2045030	Pulley	1	1
11	1361897	Key	1	1
12	1361896	Crankshaft	1	..
12	2045029	Crankshaft	1
13	1361710	Bearing Set (Standard)	1	1
13	1361713	Bearing Set (0.25 mm)	1	1
13	1361711	Bearing Set (0.50 mm)	1	1
13	1361712	Bearing Set (0.75 mm)	1	1
14	2021442	Back Plate	1	1
15	2021438	Bolt	1	1

CYLINDER BLOCK (Figure 2-16) MAZDA 2.0L AND 2.2L LPG

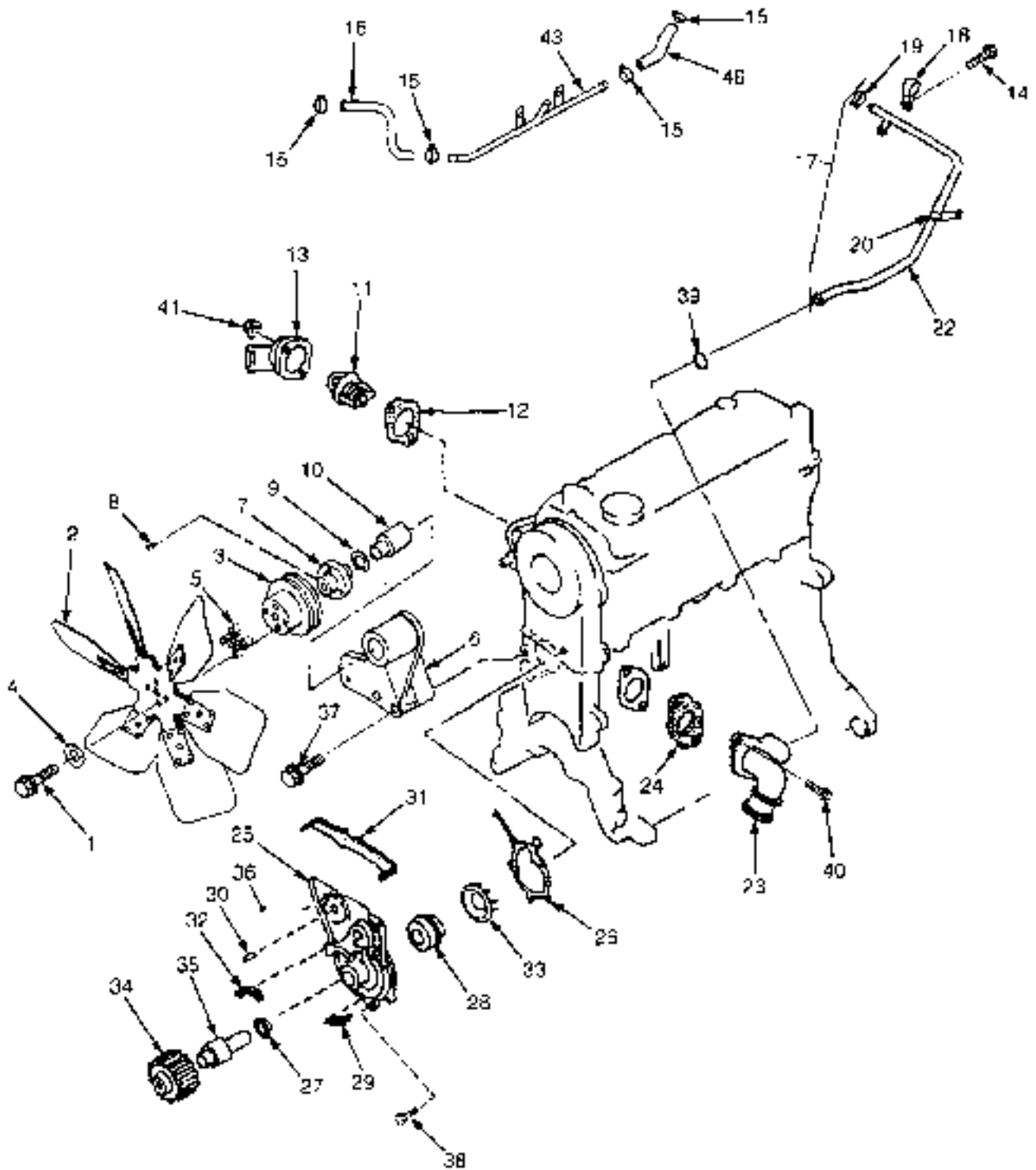


HP681247

**CYLINDER BLOCK
MAZDA 2.0L AND 2.2L
LPG**

ITEM	PART NO.	DESCRIPTION	QTY
	1587843	Engine Block (Long) (2.0L, LPG).....	1
	1587845	Engine Block (Long) (2.2L, LPG)	1
	1572387	Engine Block (Short) (2.0L, LPG).....	1
	1572388	Engine Block (Short) (2.2L, LPG).....	1
1	1553710	Cylinder Block (2.0L)	1
1	1370744	Cylinder Block (2.2L).....	1
2	1362009	Plug	2
3	1361675	Plug	2
4	1362005	Plug	2
5	1360898	Joint	1
6	1362003	Plug	4
7	2028927	Plug	1
8	1360899	Pipe.....	1
9	1362008	Pin.....	2
10	1362007	Plug.....	2
11	1361676	Bolt.....	10
12	2029081	Plug	1
13	1361677	Dipstick	1
14	1360896	Pin	2

WATER PUMP (Figure 2-17) MAZDA 2.0L AND 2.2L LPG



HPM12E2

**WATER PUMP
MAZDA 2.0L AND 2.2L
LPG**

ITEM	PART NO.	DESCRIPTION	QTY
	1587843	Engine Block (Long) (2.0L, LPG)	1
	1587845	Engine Block (Long) (2.2L, LPG)	1
1	293618	Capscrew	4
2	1375642	Fan	1
3	1573179	Pulley (Fan)	1
4	298418	Washer	4
5	1528140	Spacer	1
6	1573176	Bracket Assembly	1
7	2029116	Shaft	1
8	2045026	Screw	3
9	2045025	Clip	1
10	1361813	Hub	1
11	1495428	Thermostat	1
12	1367191	Gasket	1
13	1361821	Cover	1
14	1361898	Bolt	1
15	1361873	Clamp	4
16	1361825	Hose (LPG)	1
17	2045024	Pipe (2.2L)	1
17	1553943	Pipe (2.0L)	1
18	1361826	Clip	1
19	1361886	Clamp	1
20	1361873	Clamp	1
21	1361836	Cap	1
22	2029109	Hose	1
23	2029112	Pipe (Intake)	1
24	2029120	Gasket (Intake)	1
25	2028644	Pump Assembly	1
26	2028645	Gasket	1
27		Baffle	1
28		Seal	1
29		Seal	1
30		Stud	1
31		Seal (Upper)	1
32		Seal (Lower)	1
33		Impeller	1
34		Pulley	1
35		Shaft	1
36	326808	Bolt	2
37	2045026	Screw	3
38	1369814	Bolt	5
39	1361827	O-Ring	1
40	1361875	Capscrew	2
41	326504	Nut	2
42	2029109	Hose	1

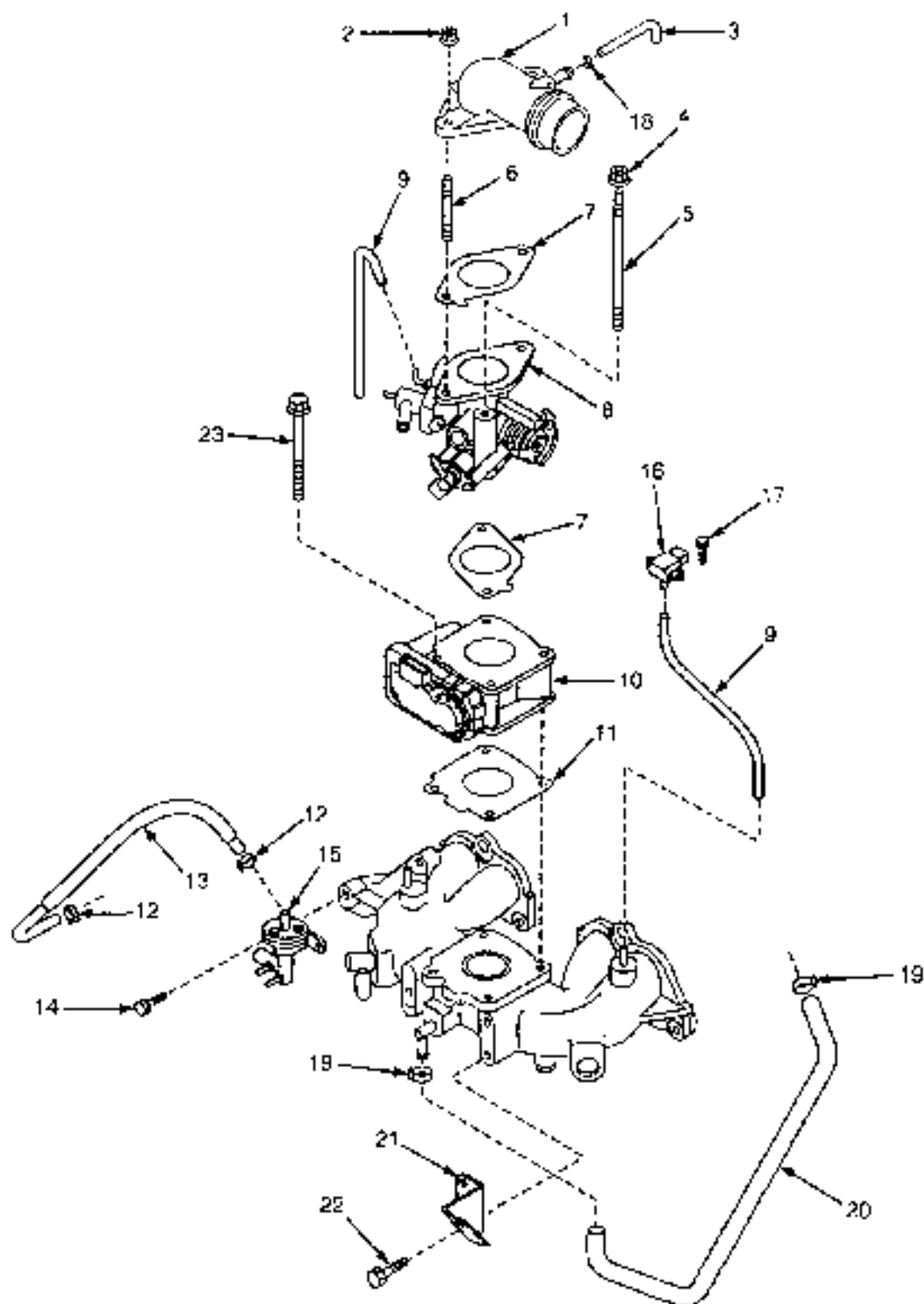
**WATER PUMP
MAZDA 2.0L AND 2.2L
LPG**

ITEM	PART NO	DESCRIPTION	QTY
43	1361823	Pipe (Water Bypass)	1
	2045036	Gasket Kit (Includes Items 24-26)	1

FOOTNOTES:

a Not Illustrated

EMISSIONS LINES (Figure 2-18) MAZDA 2.0L AND 2.2L LPG

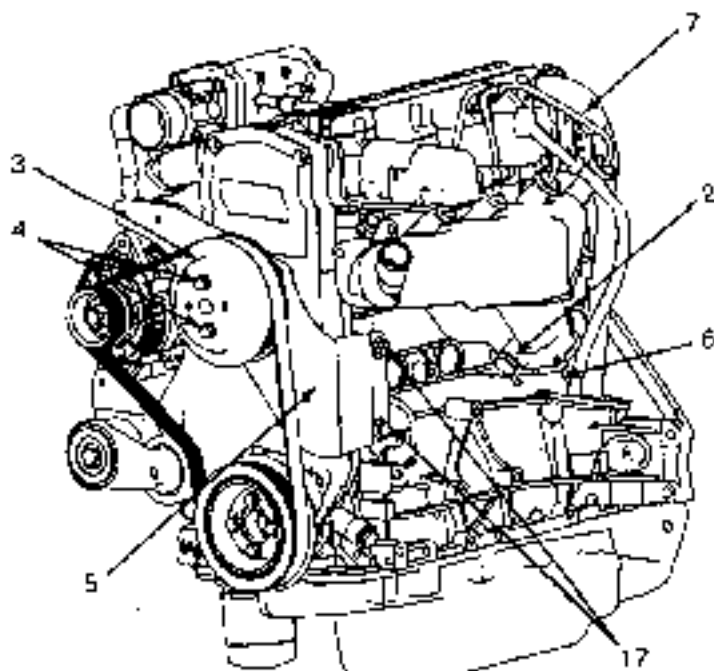
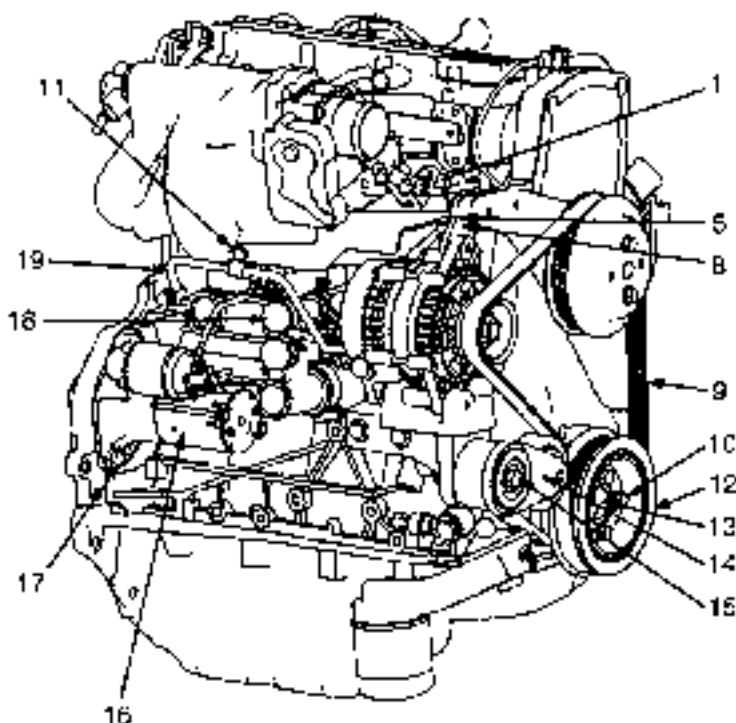


HP050030

**EMISSIONS LINES
MAZDA 2.0L AND 2.2L
LPG**

ITEM	PART NO.	DESCRIPTION	QTY
1	1573118	Air Funnel	1
2	2086829	Nut	2
3	1573562	Hose (Ventilator)	1
4	326504	Nut	2
5	1582323	Stud	2
6	1553774	Stud	2
7	1573117	Gasket	2
8	1573119	Carburator	1
9	1495413	Hose	1
10	1553838	Governor	1
11	1361756	Gasket	1
12	1553799	Clamp	2
13	1573120	Hose (Fuel)	1
14	1361878	Screw	2
15	1581048	Fuel Filter Assembly	1
15	*583593	Cover Set	1
15	*581051	Screw Set	1
15	*581060	Screw	3
15	*581052	Fuel Filter Set (With O-Ring)	1
15	*581049	Spring	1
16	1548352	Sensor	1
17	1582324	Screw	2
18	1361871	Clamp	1
19	1386933	Clamp	2
20	1573564	Hose (PCV)	1
21	1573021	Bracket (Throttle)	1
22	*361896	Bolt	2
23	1582321	8-1	2

ASSEMBLED ENGINE (Figure 2-19) GM 2.4L, LPG SHEET 1 OF 4

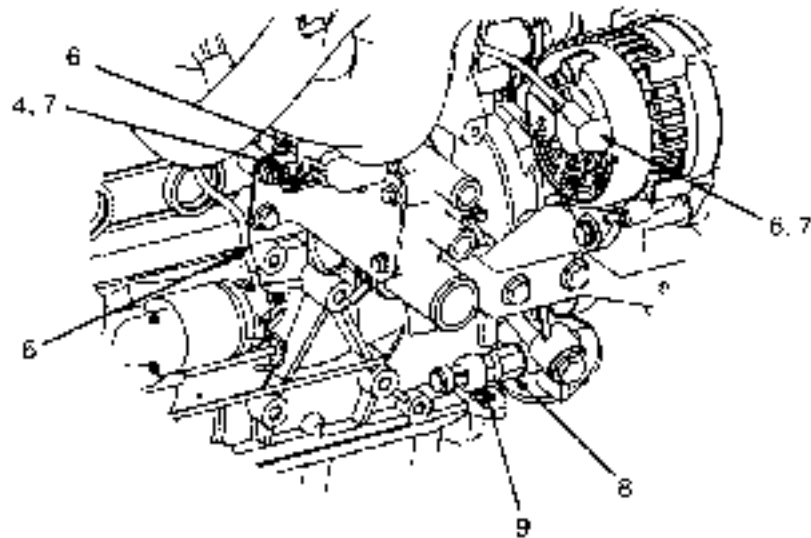
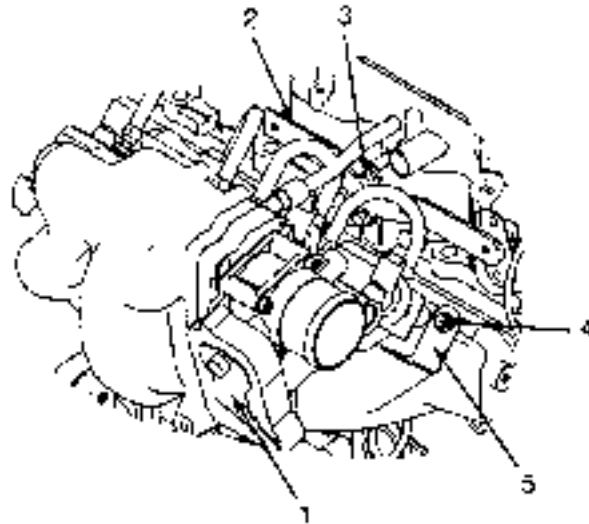


HP001767

ASSEMBLED ENGINE**GM 2.4L, LPG****SHEET 1 OF 4**

ITEM	PART NO.	DESCRIPTION	QTY
	15C1695	Engine Assembly (GM 2.4L)	1
1	15C0113	Capscrew	3
2	1396518	Plug Assembly	1
2	15C9103	Ring (Capac)	1
2	15C9104	Plug	1
3	2067888	Pulley (Fan)	1
4	1527878	Capscrew	2
5	*534013	Fan Mount Assembly	1
5	*542675	Bracket	1
5	*542676	Bearing	1
5	*542677	Hub	1
6	*534417	Capscrew	3
7	2067623	Wire Harness (Spark Plug)	1
8	*547984	Bracket	1
9	2067889	Belt (Micro-V)	1
*0	*527881	Capscrew	4
*1	*528366	Capscrew	1
*2	*580792	Pulley (Crankshaft)	1
*3	*531254	Spacer (Pulley)	1
*4	2067631	Tensioner	1
15	292521	Capscrew	1
16	1548620	Starter	1
16	1551845	Solenoid	1
17	1586013	Capscrew	3
18	1532513	Cap	2
19	1501987	Clamp	2

ASSEMBLED ENGINE (Figure 2-20) GM 2.4L, LPG SHEET 2 OF 4



HP081254

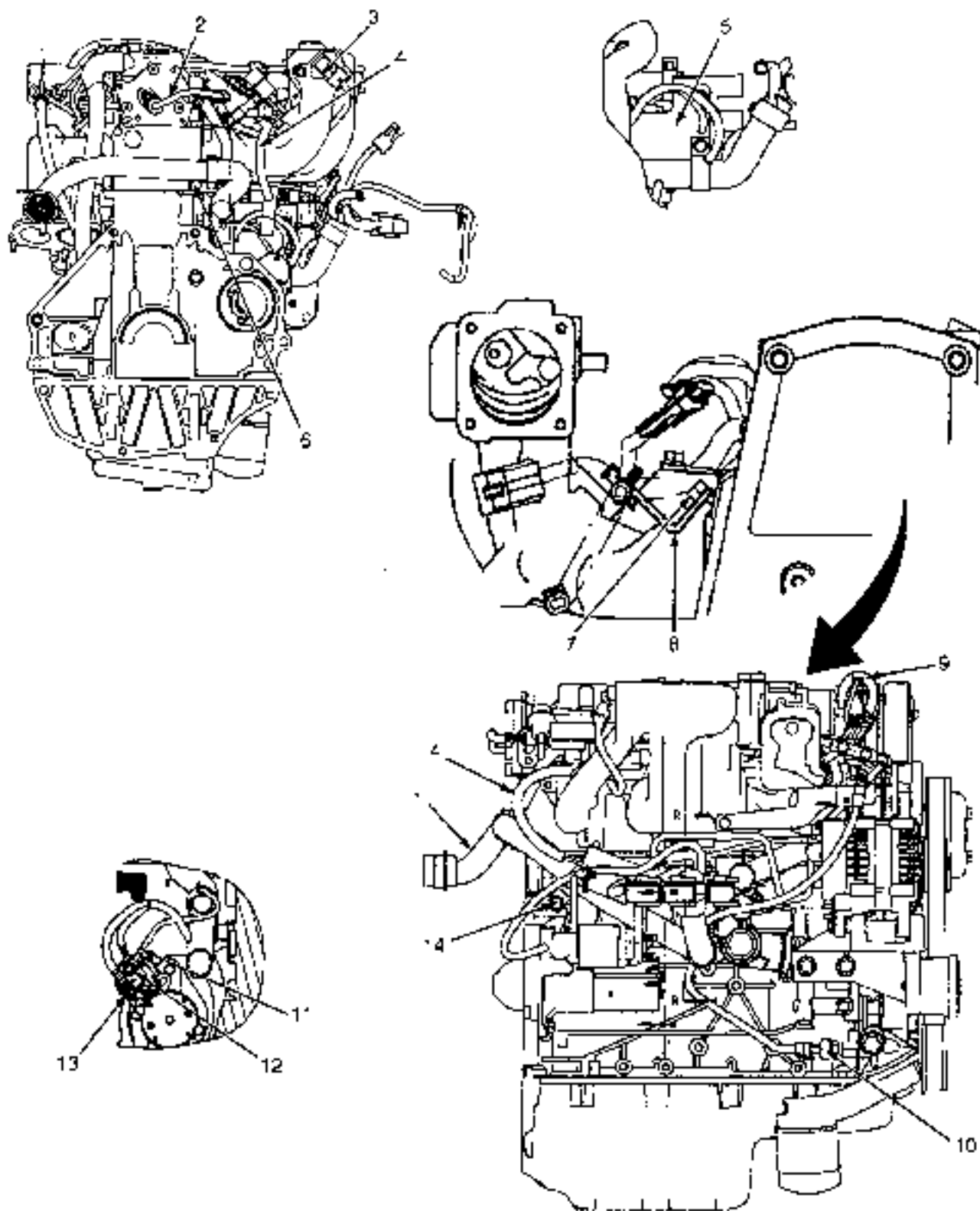
**ASSEMBLED ENGINE
GM 2.4L, LPG
SHEET 2 OF 4**

ITEM	PART NO.	DESCRIPTION	QTY
	1501695	Engine Assembly (GM 2.4L)	1
	2067622	Fuel System (LPG)	1
2	2056355	Bracket	1
3	1527878	Cap screw	2
4	1534417	Cap screw	3
5	1569776	Bracket	1
6	2057865	Fused Wire Harness (Alternator, Starter)	1
6	1454829	Fuse (60 Amp)	1
6	1454862	Cover (With Seal)	1
6	148614	Terminal	1
6	148615	Terminal	1
6	1520543	Terminal	2
6	1543553	Fuse Holder	1
6	1566146	Boot	1
6	1454827	Seal	2
7	1514429	Nut (Flange)	5
8	1585083	Adaptor	1
8	1585084	O-Ring	1
8	1585085	Retainer Ring	1
9	1566654	Sensor (O ₂ Pressure)	1

ASSEMBLED ENGINE (Figure 2-21)

GM 2.4L, LPG

SHEET 3 OF 4

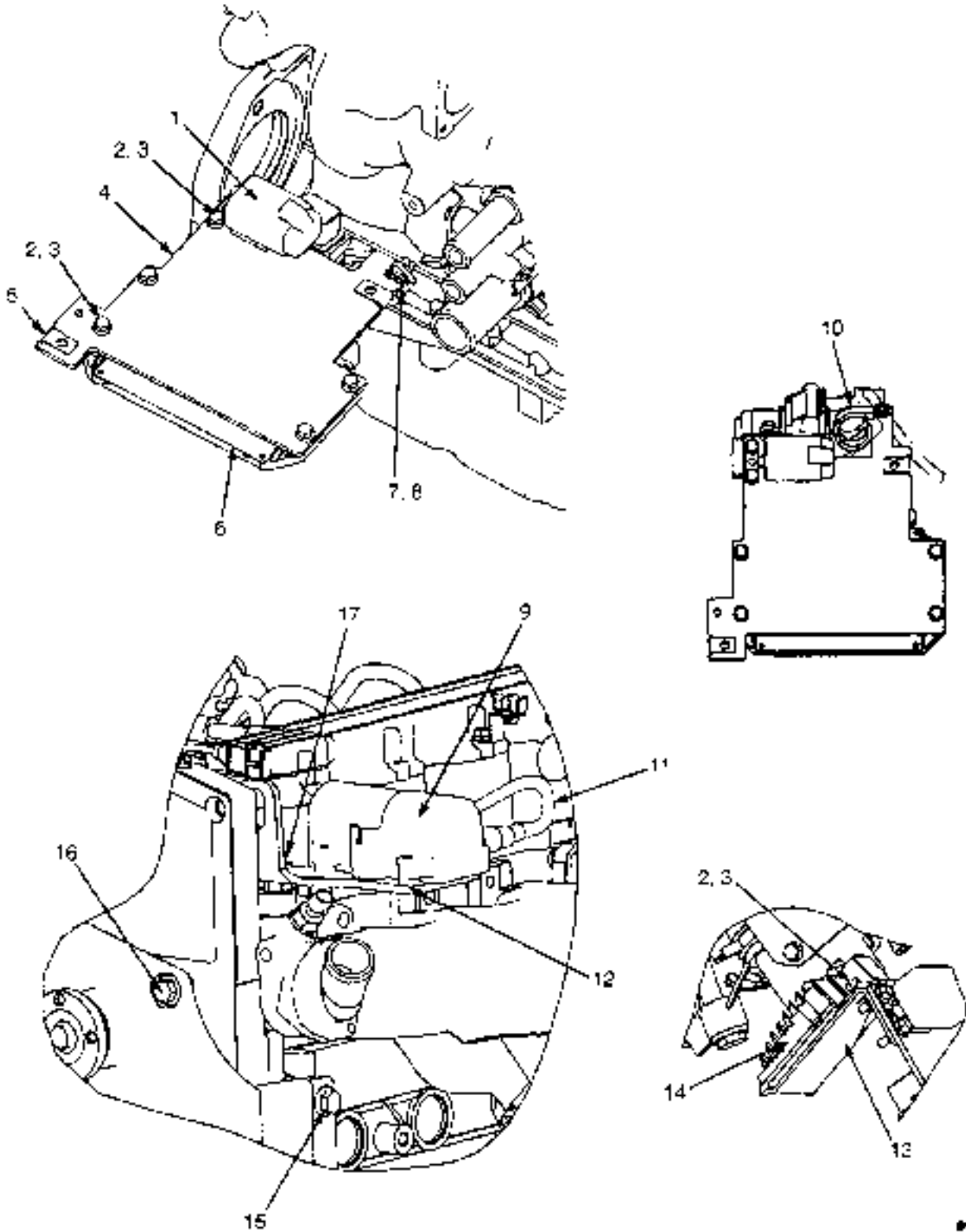


HP961 150

**ASSEMBLED ENGINE
GM 2.4L, LPG
SHEET 3 OF 4**

ITEM	PART NO.	DESCRIPTION	QTY
	*501695	Engine Assembly (GM 2.4L).....	1
1	2053099	Wire Harness (Engine) (See Figure 4-20)	1
2	*564587	Sensor (Camshaft Position).....	1
3	*584272	MAP Sensor	1
4	*554838	Wire Harness (Injector)	1
5	2055232	Bracket	1
5	1527879	Capscrew	2
7	1534417	Capscrew	3
8	1569776	Bracket	1
9	2068357	Wire Harness (Ignition Coil)	1
10	1524031	Sensor (Oil Pressure)	1
11	2057885	Fused Wire Harness (Alternator, Starter).....	1
11	148814	Terminal	1
11	148615	Terminal	1
11	1568146	Boot	1
11	1543553	Fuse Holder	1
11	1454829	Fuse (50 Amp)	1
11	1454862	Cover (With Seal)	1
11	1454827	Seal	2
11	1520543	Terminal	1
12	329069	Nut	1
13	1514429	Nut (Flange)	5
14	1527879	Capscrew	2

ASSEMBLED ENGINE (Figure 2-22) GM 2.4L, LPG SHEET 4 OF 4

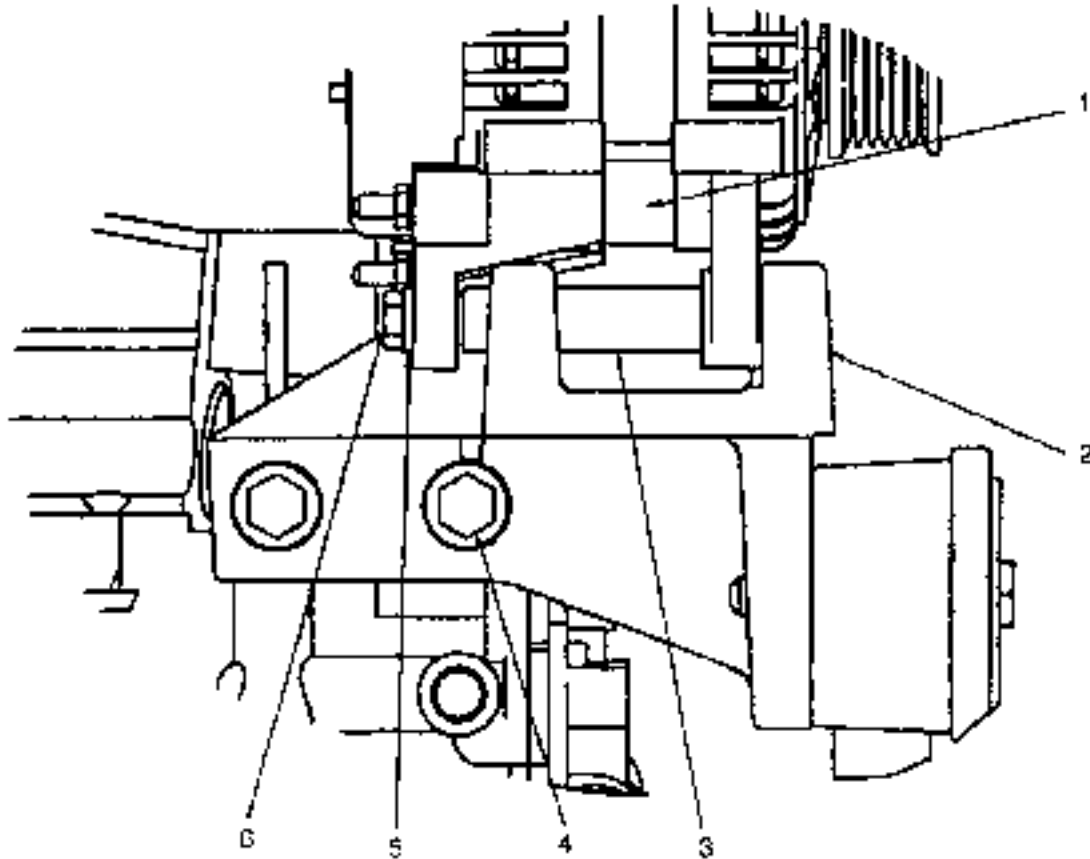


#P089150

**ASSEMBLED ENGINE
GM 2.4L, LPG
SHEET 4 OF 4**

ITEM	PART NO.	DESCRIPTION	QTY
	1501695	Engine Assembly (GM 2.4L)	1
1	1330301	Relay (Fuel Pump)	1
2	1527877	Capscrew	7
3	1514429	Nut (Flange)	6
4	1582162	Bracket	1
5	1480237	Clip Nut.....	2
6	2077654	Engine Control Unit	1
7	1527877	Capscrew	1
8	1514429	Nut (Flange)	1
9	1554523	Ignition Coil.....	1
10	.	Clamp (Supplied With Engine)	1
11	2057623	Wire Harness (Spark Plug)	1
12	1536719	Bracket (Coil)	1
13	1582163	Bracket.....	1
14	2059248	Module (Injector Drive).....	1
15	1585013	Capscrew	2
16	1527885	Capscrew	1
17	1480477	Nut (Flange)	2

ALTERNATOR AND MOUNTING (Figure 2-23) GM 2.4L LPG

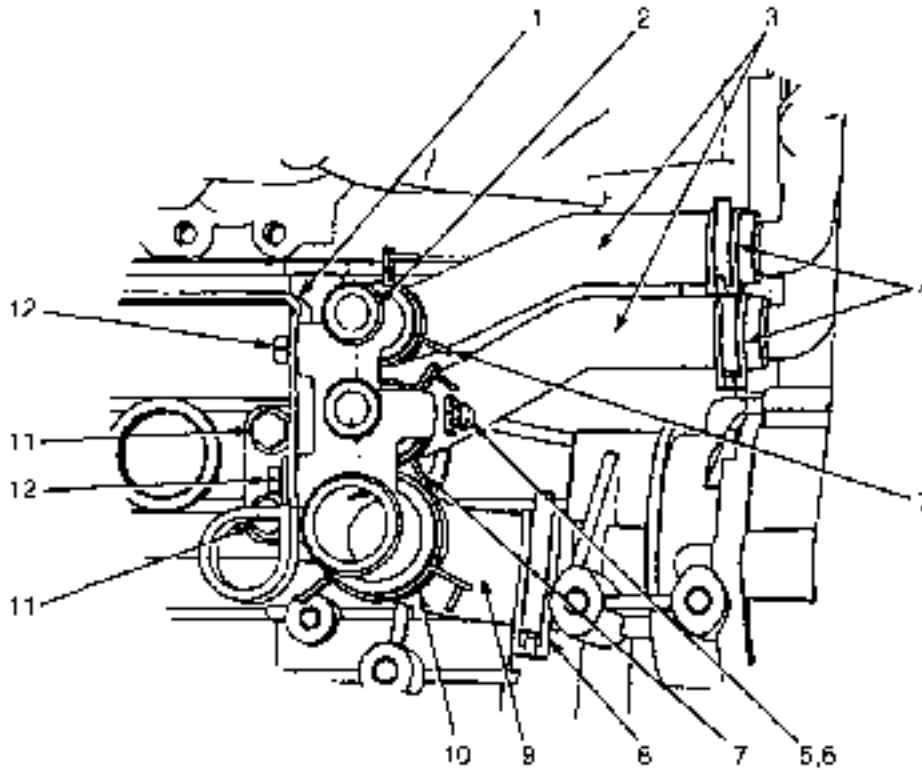


BP002151

ITEM	PART NO.	DESCRIPTION	QTY
1	1534017	Alternator	1
2	1554818	Bracket	1
3	1554814	Spacer	1
4	1527892	Capscrew	4
5	320157	Washer	1
6	1307994	Capscrew	1

COOLING MANIFOLD AND ATTACHING PARTS (Figure 2-24)

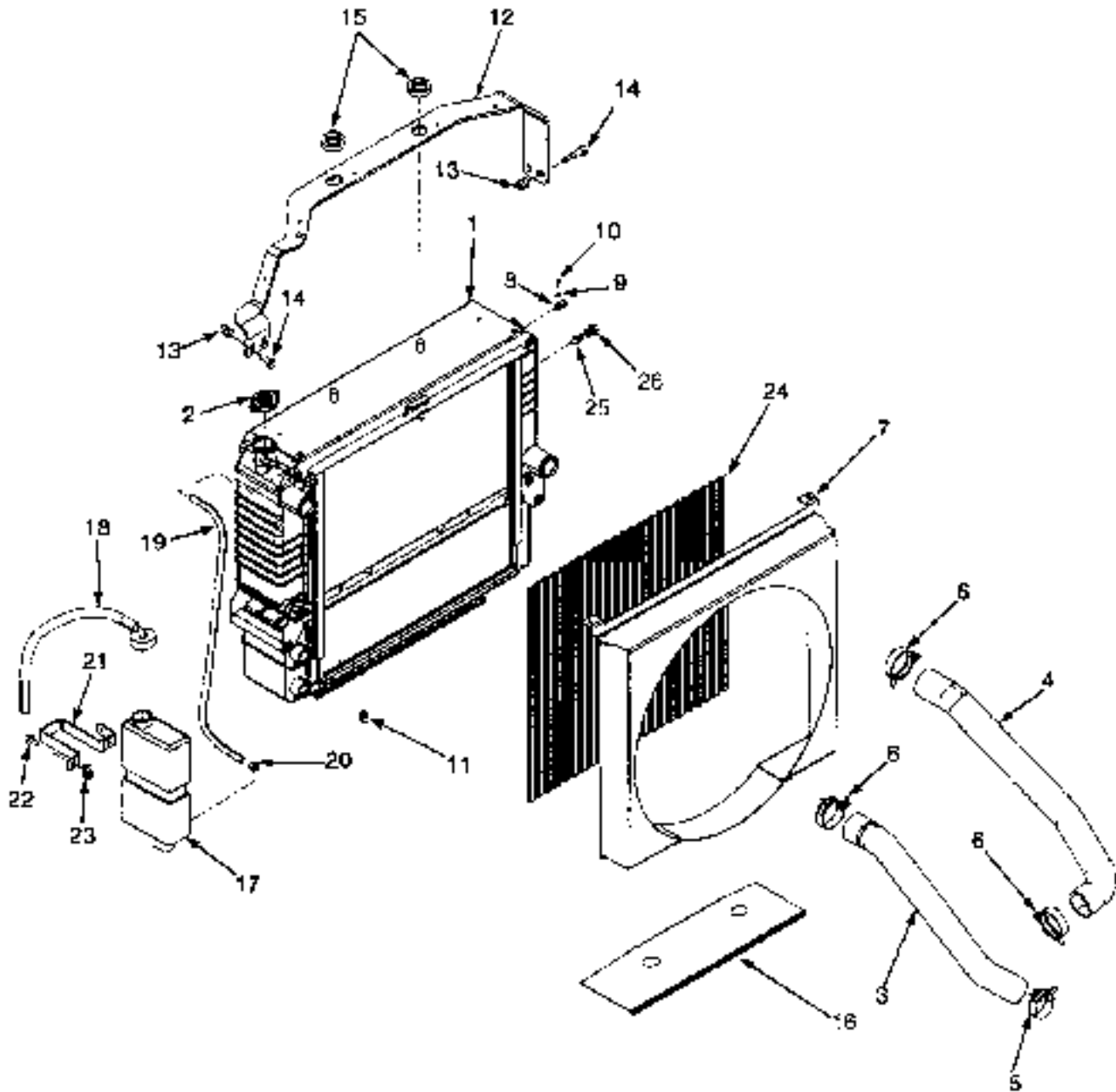
**GM 2.4L
LPG**



HYD00152

ITEM	PART NO.	DESCRIPTION	QTY
1	2055232	Bracket	1
2	156492	Manifold	1
3	2056732	Hose (Coolant) ..	2
4	1502009	Clamp	2
5	15329	Valve	1
6	246108	Sealant ..	AR
7	1501997	Clamp	2
8	1527982	Clamp	1
9	2055298	Hose (Radiator) ..	1
10	1502001	Clamp	1
11	1527879	Capscrew	2
12	1534417	Capscrew	2

COOLING SYSTEM (Figure 2-25) GM 2.4L, LPG, SQUARE WAVE RADIATOR



HP988043

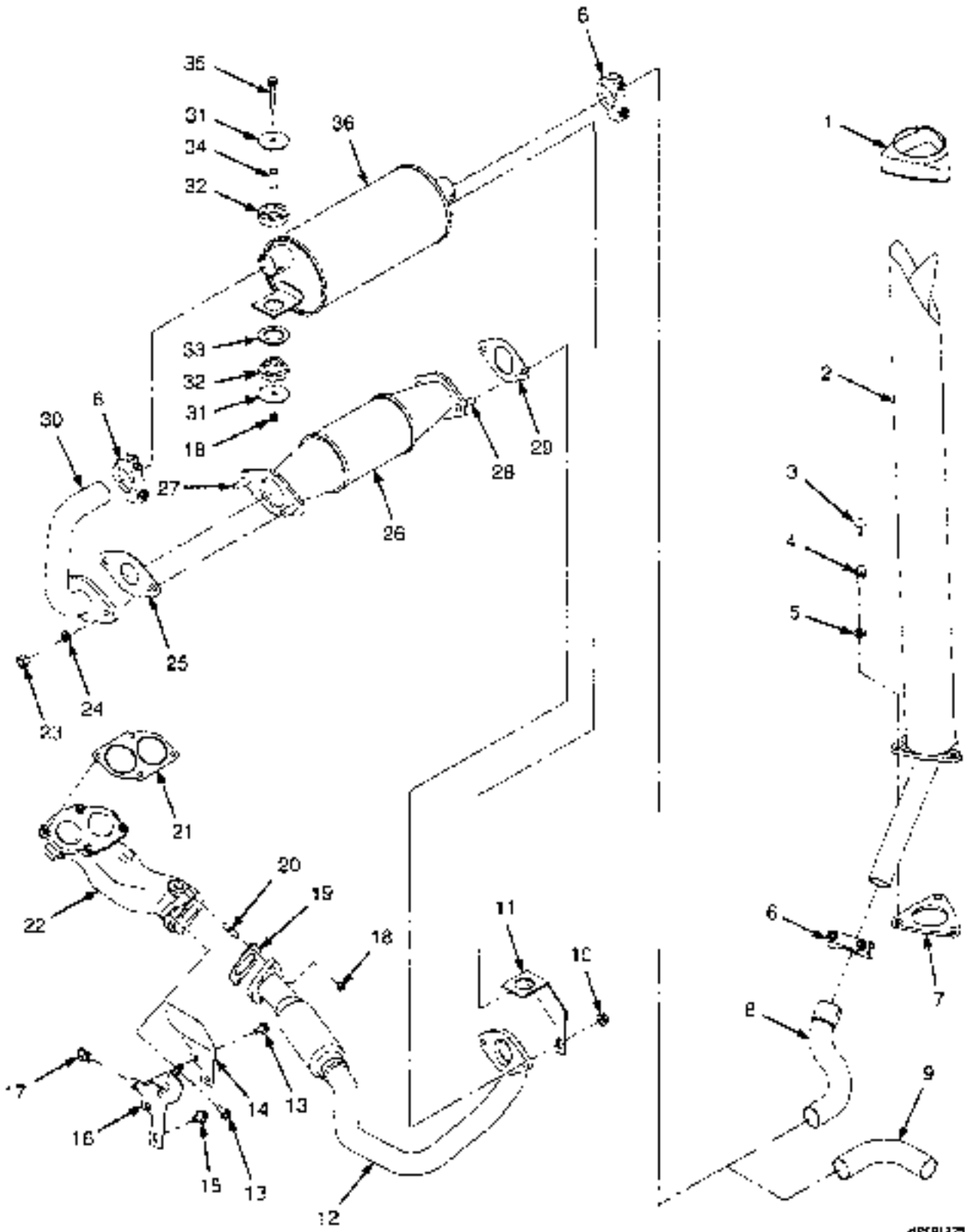
**COOLING SYSTEM
GM 2.4L, LPG, SQUARE WAVE RADIATOR**

ITEM	PART NO.	DESCRIPTION	QTY
1	2074790	Radiator Assembly ..	1
1	1590972	Radiator.....	1
1	1590918	Oil Cooler	1
1	1597765	Washer	4
1	1597766	Screw	4
2	1352140	Cap	1
3	2069685	Hose (Upper).....	1
4	2069686	Hose (Lower).....	1
5	1527982	Clamp	1
6	1502001	Clamp	3
7	1582076	Shroud	1
8	1535257	Clip	2
9	320154	Washer	2
10	302023	Screw	2
11	1551663	Clip	2
12	1585317	Bracket (Radiator).....	1
13	1530243	Insert.....	4
14	1583611	Cap screw.....	4
15	1529787	Isolator	4
16	1565692	Shield (Exhaust)	1
17	1347026	Reservoir	1
18	345455	Outlet Assembly	1
18	338550	Bushing	1
18	345453	Outlet (Reservoir)	1
18	345454	Cap	1
18	338735	Hose	1
19	1567674	Hose	1
20	369815	Clamp	2
21	1531167	Bracket.....	1
22	1527879	Cap screw.....	2
23	1480237	Clip Nut	2
24	1582078	Screen	1
25	1531404	Sensor (Low Coolant Level)	1
26	a 14385	Pug	1

FOOTNOTES:

a Without Low Coolant Level Sensor

EXHAUST SYSTEM (Figure 2-26) GM 2.4L LPG

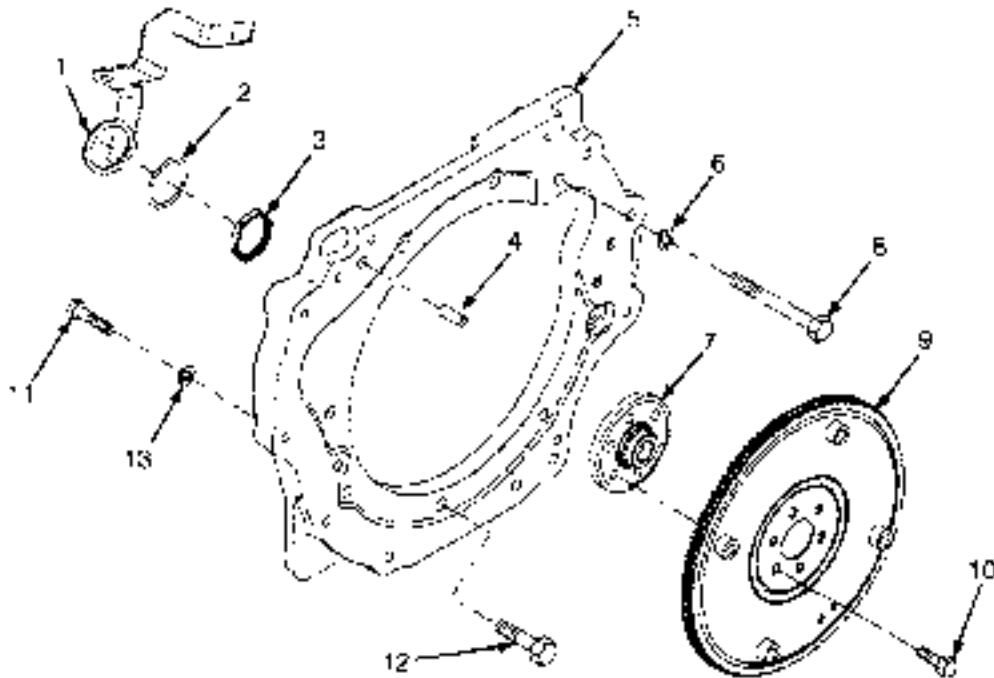


4PC0122

EXHAUST SYSTEM**GM 2.4L****LPG****KEY:****A: With Catalytic Converter****B: Without Catalytic Converter**

ITEM	PART NO.	DESCRIPTION	QTY	
			A	B
1	2021394	Cover	1	1
2	1534789	Exhaust Pipe .. .	1	1
3	1347045	Fastener .. .	1	1
4	1586013	Capscrew .. .	1	1
5	320159	Washer .. .	1	1
6	68968	Clamp .. .	3	3
7	1533639	Cover .. .	1	1
8	1533863	Exhaust Pipe (Overhead) .. .	1	1
9	1589312	Exhaust Pipe (Counterweight) .. .	1	1
10	1480477	Nut (Flange) .. .	2	..
11	1532523	Bracket .. .	1	..
12	1546731	Exhaust Pipe .. .	1	..
12	1566515	Exhaust Pipe (Not Illustrated)	1
13	1527879	Capscrew .. .	1	1
14	1587069	Shield .. .	1	1
15	1526776	Capscrew .. .	1	1
16	1587068	Bracket .. .	1	1
17	1480237	Clip Nut .. .	1	1
18	1582222	Lock Nut .. .	4	4
19	1566528	Gasket .. .	1	1
20	1567831	Stud (Exhaust) .. .	2	2
21	1582139	Gasket .. .	1	1
22	1583713	Adapter .. .	1	1
23	1469405	Nut .. .	2	..
24	292689	Lockwasher .. .	2	..
25	1469379	Gasket .. .	1	..
26	2059689	Catalytic Converter .. .	1	..
27	1495501	Bolt .. .	2	..
28	1495502	Bolt .. .	2	..
28	1547712	Gasket .. .	1	..
30	1534174	Exhaust Pipe .. .	1	..
31	1528938	Washer .. .	4	4
32	1528930	Isolator .. .	2	2
33	1532585	Washer .. .	1	1
34	1528934	Spacer .. .	2	2
35	1510115	Capscrew .. .	2	2
38	2060957	Muffler .. .	1	1

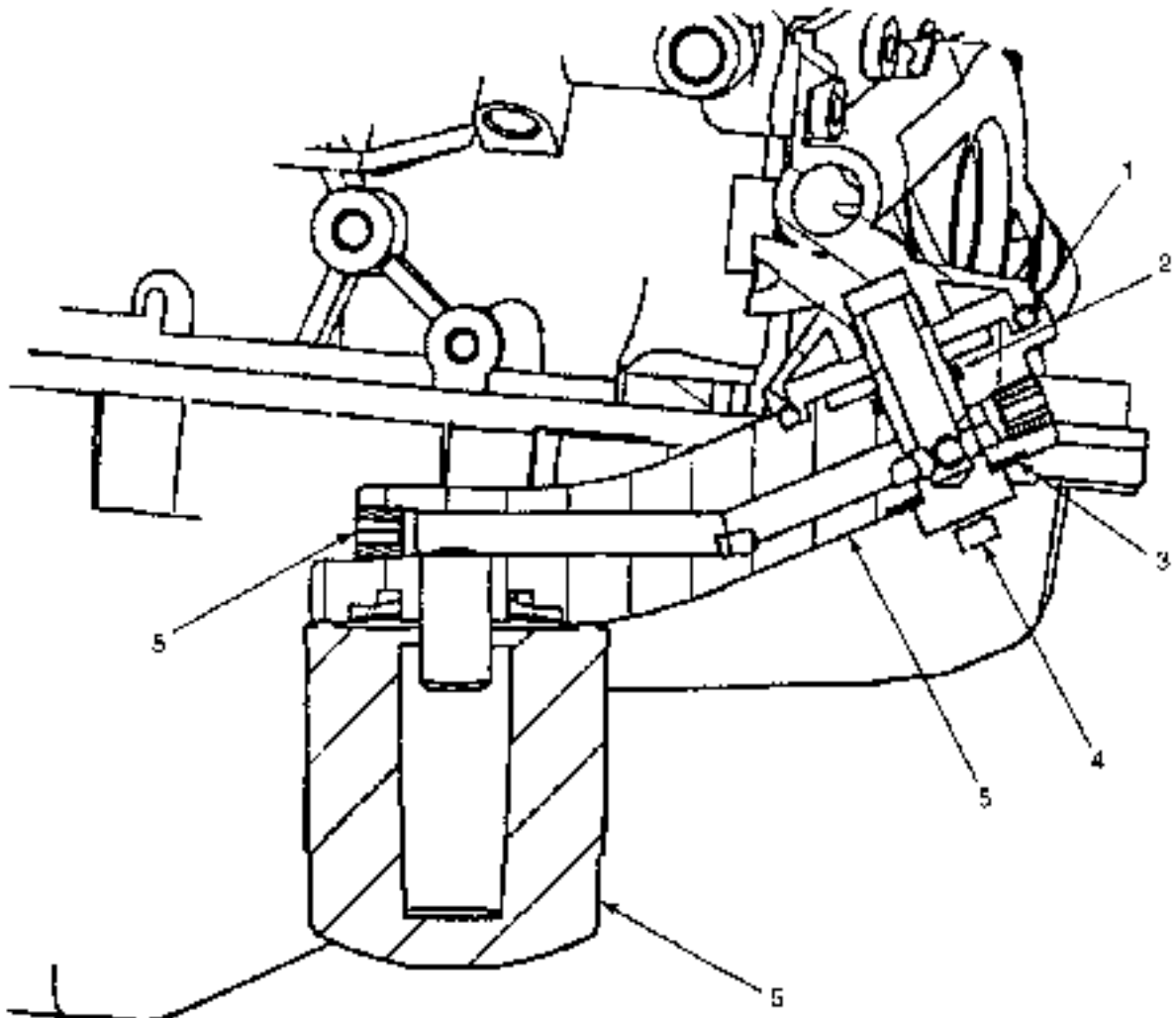
FLYWHEEL AND HOUSING (Figure 2-27) GM 2.4L LPG



ITEM	PART NO.	DESCRIPTION	QTY
1	1551608	Bracket	4
2	1539086	Lockwasher	4
3	1539085	Nut	1
4	303150	Pin	2
5	1553267	Flywheel Housing	1
6	292683	Lockwasher	1
7	1588963	Adapter	1
8	292539	Capscrew	1
9	1605988	Flywheel	1
10	309740	Capscrew	6
11	292517	Capscrew	10
12	246001	Capscrew	10
13	292682	Lockwasher	10

REMOTE OIL FILTER (Figure 2-28)

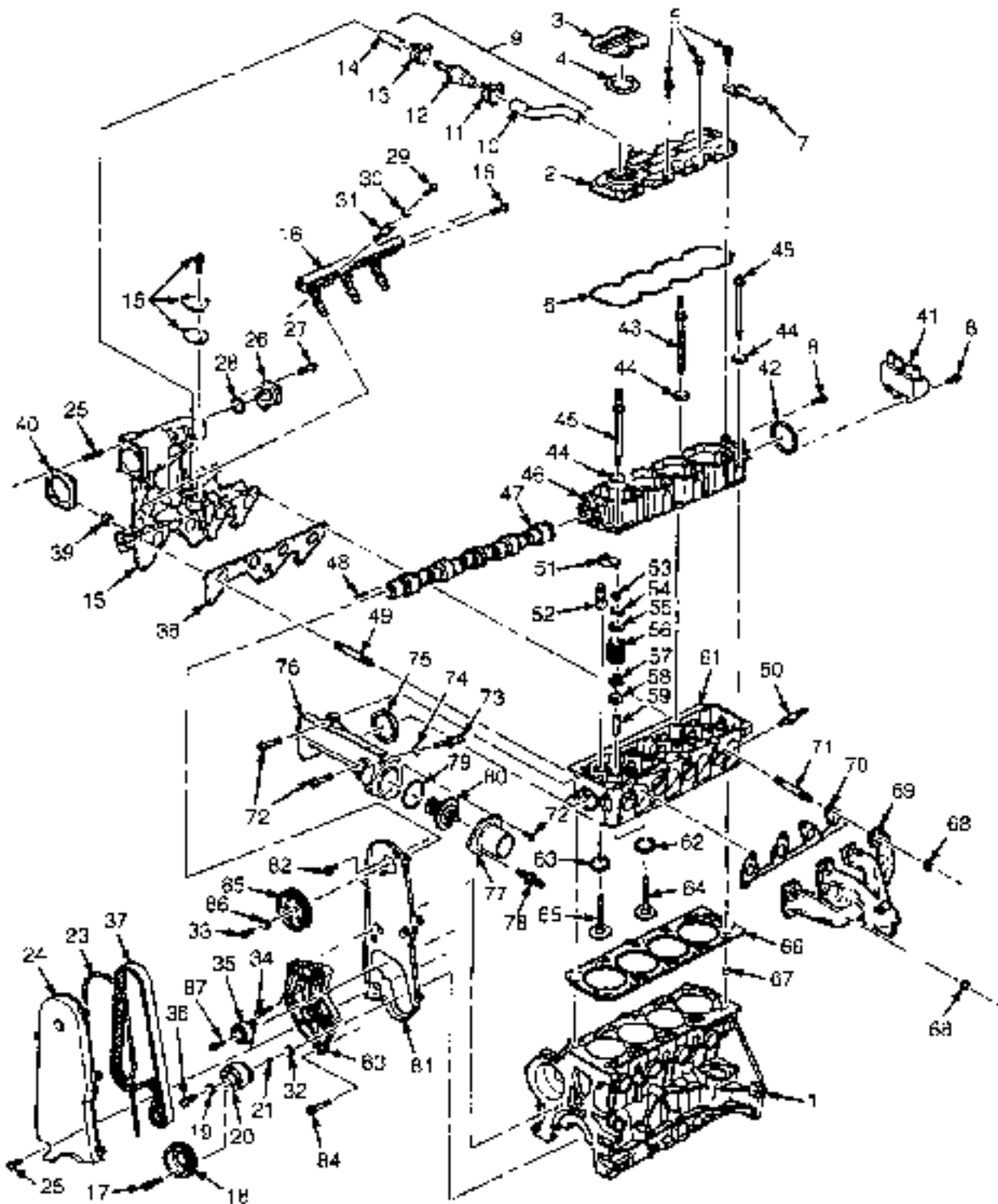
GM 2.4L LPG



#P093164

ITEM	PART NO.	DESCRIPTION	QTY
	1501695	Engine Assembly (GM 2.4L).....	1
	6119	O-Ring.....	1
2	60936	O-Ring.....	1
3	119257	Sealing Washer.....	1
4	1568774	Banjo Bolt.....	1
5	1542674	Oil Filter Adapter Assembly.....	1
5		Adapter.....	1
5	15483	Fitting.....	2
5	125347	Fitting.....	2
6	1584120	Oil Filter.....	1

CAMSHAFT, CYLINDER HEAD AND MANIFOLDS (Figure 2-29) GM 2.4L LPG



BP060166

CAMSHAFT, CYLINDER HEAD AND MANIFOLDS

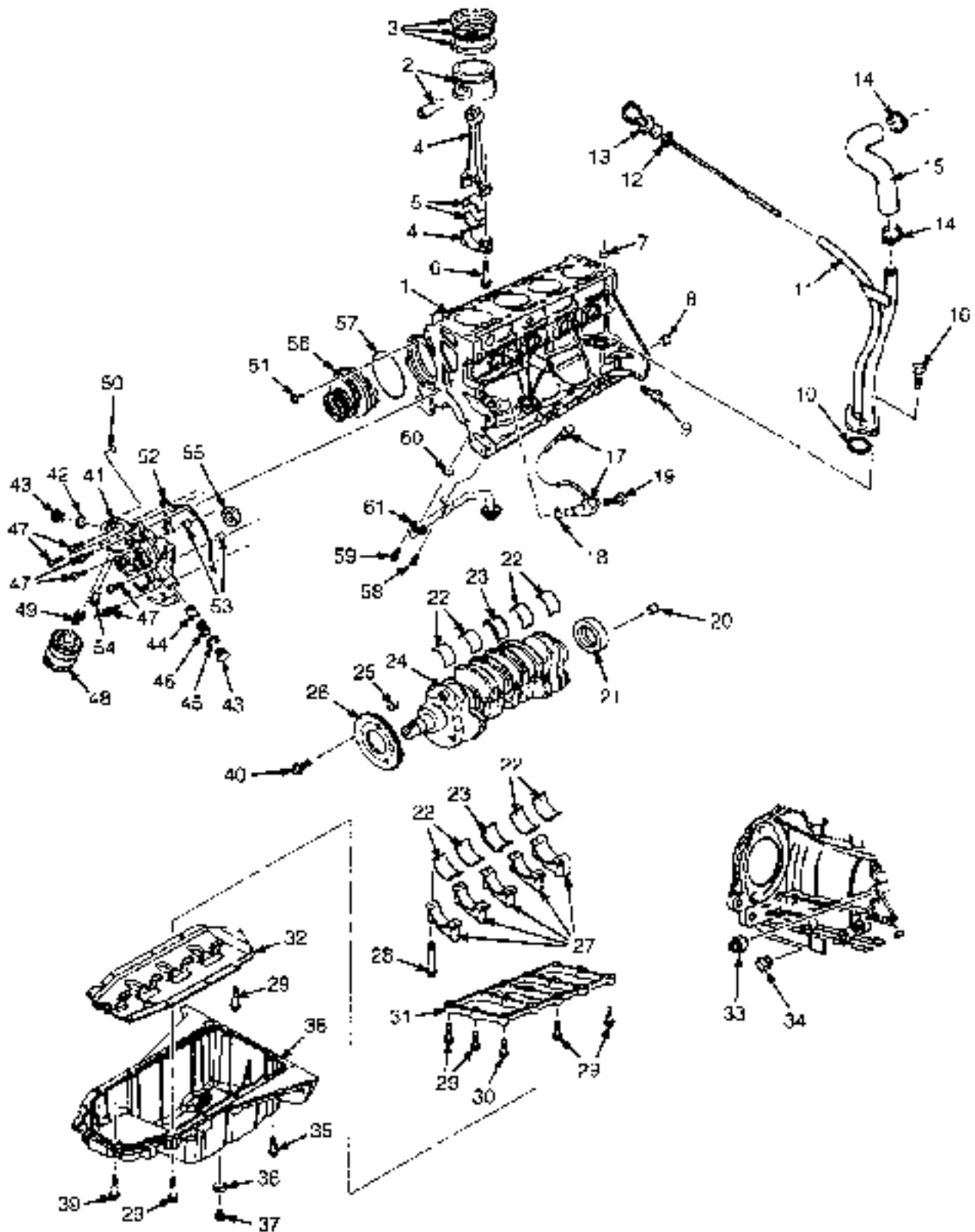
GM 2.4L LPG

ITEM	PART NO.	DESCRIPTION	QTY
1	1501695	Engine Assembly (GM 2.4L).....	1
2	1584492	Cover.....	1
3	1584493	Filter Cap.....	1
4	1584495	Seal.....	1
5	1599665	Bolt.....	8
6	1584497	Gasket.....	1
7	1584532	Bracket.....	1
8	1584490	Screw.....	8
9	1584266	Hose Assembly (PCV).....	1
10	1584445	Hose.....	1
11	1584451	Clamp.....	1
12	1584442	Valve (PCV).....	1
13	1584444	Clamp (LH).....	1
14	1584267	Hose.....	1
15	1584465	Intake Manifold.....	1
15	Screw.....	2
15	Cover.....	1
15	Gasket.....	1
16	1581795	Fuel Rail (LPG).....	1
16	Bolt.....	1
17	1584520	Screw.....	4
18	1580793	Balancer (Crankshaft).....	1
19	1584506	Washer.....	1
20	1584502	Sprocket.....	1
21	1584504	Key.....	1
22	Stud.....	4
23	Seal.....	1
24	1584458	Cover (Timing Belt).....	1
25	1584452	Screw.....	5
26	1584472	MAP Sensor.....	1
27	Bolt.....	2
28	Seal.....	1
29	Bolt.....	4
30	Washer.....	4
31	1548394	Extension (Fuel Rail).....	4
32	1584505	Spacer.....	2
33	1584498	Screw.....	1
34	1584522	Screw.....	1
35	1584509	Tensioner.....	1
36	1584503	Screw.....	1
37	1584507	Timing Belt.....	1
38	1584464	Gasket.....	1
39	Nut.....	4
40	Gasket.....	1
41	1584523	Ignition Coil.....	1
42	1584488	Seal.....	1
43	1584206	Bolt.....	8
44	1584208	Washer.....	10
45	1584207	Stud.....	7
46	1584479	Housing.....	1

CAMSHAFT, CYLINDER HEAD AND MANIFOLDS GM 2.4L LPG

ITEM	PART NO	DESCRIPTION	QTY
47	1584480	Camshaft	1
48	1584481	Pin	1
49	1584203	Stud	9
50	1584123	Spark Plug	4
51	1584519	Rocker Arm	8
52	1584508	Lifter	8
53	1584511	Seat	8
54	1584202	Key	16
55	1584201	Retainer	8
56	1584200	Spring	8
57	1584199	Valve Seal	8
58	1584197	Seal (Intake Valve Spring)	8
59	1584193	Valve Guide	8
60	1593654	Valve Guide (0.25 O/S)	8
61	1584188	Cylinder Head	1
62	1584190	Seat (Exhaust Valve)	4
63	1584189	Seat (Inlet Valve)	4
64	1584196	Valve (Exhaust)	4
65	1584195	Valve (Inlet)	4
66	1584141	Gasket	1
67	1584182	Pin	4
68	1584474	Nut	8
69	1584478	Exhaust Manifold	1
70	1584475	Gasket	1
71	1584204	Stud	8
72	1584482	Screw	4
73	1584140	Sensor (Engine Coolant)	1
74	Seal	1
75	1584483	Seal	1
76	1584459	Housing	1
77	1584179	Water Inlet	1
78	1584480	Stud	1
79	1584122	Seal	1
80	1584121	Thermostat	1
81	1584453	Cover	1
82	302047	Screw	4
83	1584521	Adapter	1
84	1584243	Bolt	2
85	1584491	Sprocket	1
86	1593662	Washer	2
87	1584510	Screw	1

CRANKSHAFT, PISTONS AND OIL PAN (Figure 2-30) GM 2.4L LPG



BP000184

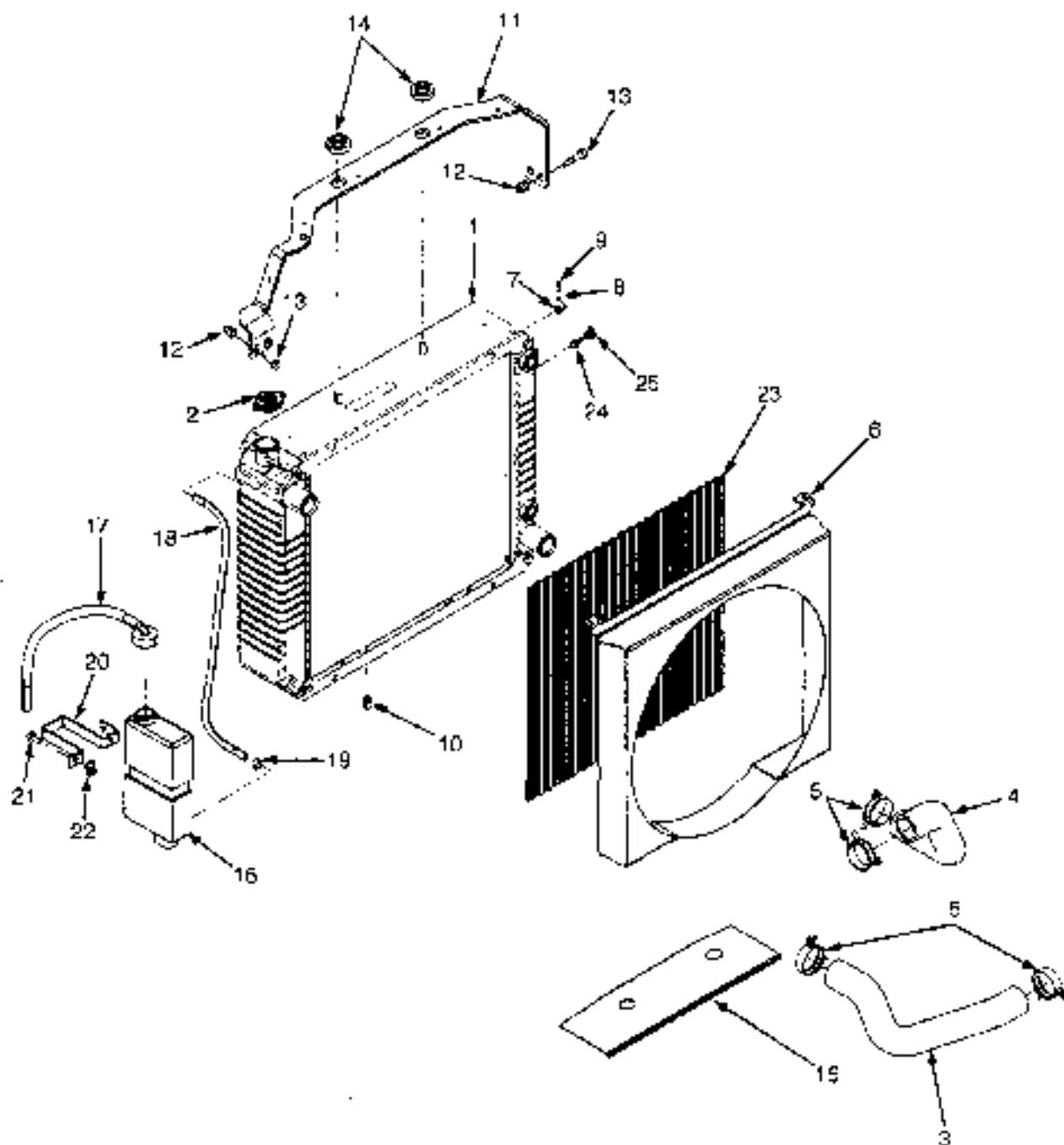
CRANKSHAFT, PISTONS AND OIL PAN
GM 2.4L
LPG

ITEM	PART NO.	DESCRIPTION	QTY
1	1501695	Engine Assembly (GM 2.4L).....	1
2	1593657	Piston/Ring Set (Standard).....	4
2	1593659	Piston/Ring Set (0.25 O/S).....	4
3	1593658	Piston Ring Kit.....	1
4	1584232	Connecting Rod Assembly.....	4
4	1584239	Bolt.....	2
5	1584248	Bearing Kit (Standard).....	4
5	1584662	Bearing Kit (0.25 O/S).....	4
6	1584239	Bolt.....	8
7	1584182	Pin.....	4
8	1584183	Pin.....	2
9		Plug.....	1
10	1584447	Gasket.....	1
11	1584446	Pipe Assembly.....	1
12		Seal.....	1
13	1584265	Indicator.....	1
14	1584451	Clamp.....	2
15	1584450	Hose.....	1
16	1584449	Screw.....	2
17	1584614	Sensor (Crankshaft Position).....	1
18		Seal.....	1
19	1584227	Bolt.....	4
20		Bearing.....	1
21	1584533	Seal.....	1
22	1584818	Bearing Kit (Standard).....	4
22	1584819	Bearing Kit (0.25 O/S).....	4
23	1593655	Bearing Kit (Standard).....	1
23	1593656	Bearing Kit (0.25 O/S).....	1
24	1584209	Crankshaft.....	1
25	1584504	Key.....	1
26	1584222	Capacitor.....	1
27		Cap.....	4
28	1584178	Screw.....	10
29	1584243	Bolt.....	24
30	1593653	Bolt.....	1
31	1584185	Plate.....	1
32	1584241	Baffle.....	1
33	1593661	Sensor (Knock).....	1
34	1584026	Plug.....	1
35	1584242	Bolt.....	2
36	1597697	Seal.....	1
37	1597698	Drain Plug.....	1
38	1584240	Oil Pan.....	1
39	1584244	Bolt.....	4
40	1584227	Bolt.....	4
41	1584247	Oil Pump Assembly.....	1
42	1584262	Seal.....	1
43	1584257	Bolt.....	2
44	1584254	Valve.....	1
45	1584261	Gasket.....	1

**CRANKSHAFT, PISTONS AND OIL PAN
GM 2.4L
LPG**

ITEM	PART NO	DESCRIPTION	QTY
46	1584255	Spring.....	1
47	1584253	Bolt	5
48	1584120	Oil Filter.....	1
49	1584252	Fitting.....	1
50	1584187	Washer	1
51	*584455	Screw	3
52	*584246	Gasket.....	2
53	*584184	Pin.....	1
54	*584256	Valve.....	1
55	*584260	Seal.....	1
56	*584456	Water Pump	1
57	*581538	Seal	1
58	Bolt	1
59	*584457	Seal	1
59	1583660	Bolt	2
80	1584263	Seal	3
81	1584264	Pipe (Oil Pump Suction).....	1

COOLING SYSTEM (Figure 2-31) YANMAR 2.6L AND 3.3L, DIESEL, SQUARE WAVE RADIATOR WITH INTERNAL AIR OIL COOLER



11P000002

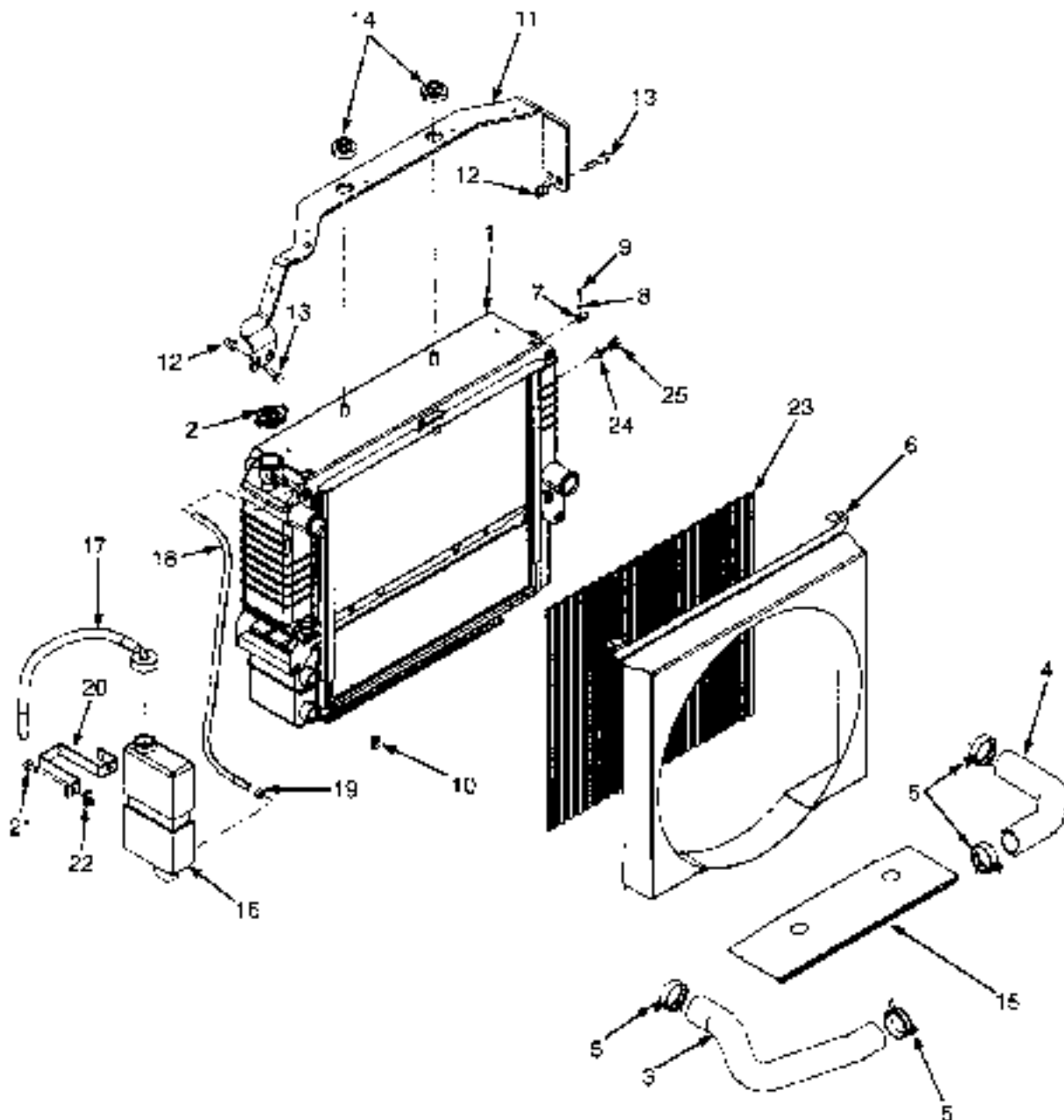
**COOLING SYSTEM
YANMAR 2.6L AND 3.3L, DIESEL, SQUARE WAVE RADIATOR
WITH INTERNAL AIR OIL COOLER**

ITEM	PART NO	DESCRIPTION	QTY
1	2068562	Radiator	1
1	1568079	Draincock (With Thread Wrap)	1
2	1352140	Cap	1
3	2070071	Hose (Upper)	1
4	2070072	Hose (Lower)	1
5	1502001	Clamp	4
6	1566502	Shroud	1
7	1535257	Clip	2
8	320154	Washer	2
9	302023	Screw	2
10	1329271	Clip	2
11	1565317	Bracket (Radiator)	-
12	1530243	Insert	4
13	1563611	Capscrew	4
14	1529787	Isolator	4
15	1565692	Shield (Exhaust)	1
16	1347026	Reservoir	1
17	345455	Outlet Assembly	1
17	336550	Bushing	1
17	345453	Outlet (Reservoir)	1
17	345454	Cap	1
17	339735	Hose	1
18	1567674	Hose	1
19	369615	Clamp	2
20	1531167	Bracket	1
21	1527879	Capscrew	2
22	1480237	Clamp Nut	2
23	1562078	Screen	1
24	1531404	Sensor (Low Coolant Level)	1
25	a 14365	Plug	1

FOOTNOTES:

a Without Low Coolant Level Sensor

COOLING SYSTEM (Figure 2-32) YANMAR 2.6L AND 3.3L, DIESEL, SQUARE WAVE RADIATOR WITH EXTERNAL AIR OIL COOLER



HP66041

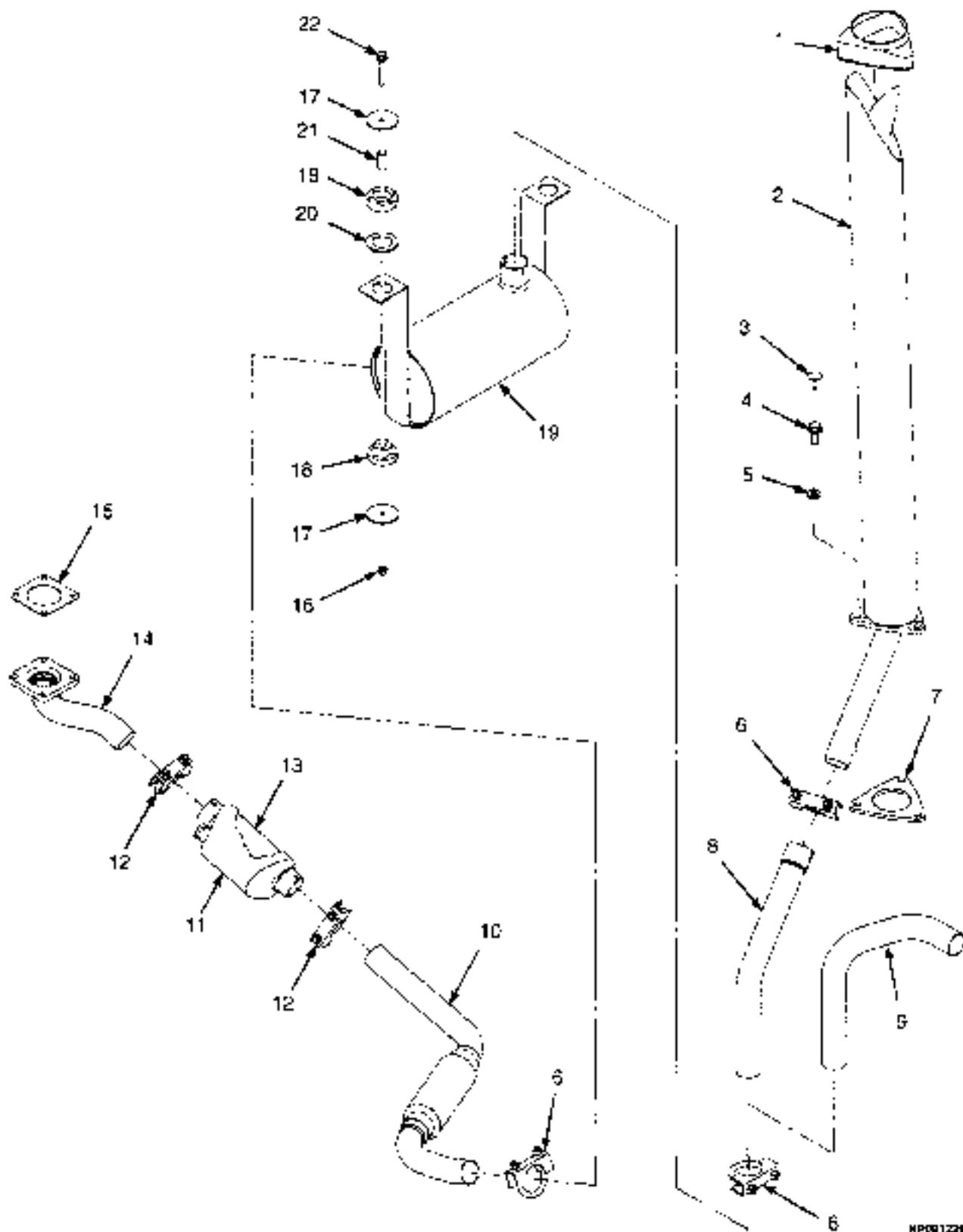
COOLING SYSTEM
YANMAR 2.6L AND 3.3L, DIESEL, SQUARE WAVE RADIATOR
WITH EXTERNAL AIR OIL COOLER

ITEM	PART NO.	DESCRIPTION	QTY
1	2074790	Radiator Assembly.....	1
1	1590972	Radiator.....	1
*	1590919	Oil Cooler.....	1
*	1597765	Washer.....	4
*	1597766	Screw.....	4
2	1352140	Cap.....	1
3	2070071	Hose (Upper).....	1
4	2069688	Hose (Lower).....	1
5	1502001	Clamp.....	4
6	1582076	Shroud.....	1
7	1535257	Clip.....	2
8	320154	Washer.....	2
9	302023	Screw.....	2
10	1551663	Clip.....	2
11	1585317	Bracket (Radiator).....	1
12	*530243	Insert.....	4
13	*583611	Capscrew.....	4
14	*529787	Isolator.....	4
15	1565692	Shield (Exhaust).....	1
16	1347026	Reservoir.....	1
17	345455	Outlet Assembly.....	1
17	336550	Bushing.....	1
17	345453	Outlet (Reservoir).....	1
17	345454	Cap.....	1
17	339735	Hose.....	1
18	*567674	Hose.....	1
19	369815	Clamp.....	2
20	*531187	Bracket.....	1
21	*527879	Capscrew.....	2
22	*480237	Clip Nut.....	2
23	*582078	Screen.....	1
24	*531404	Sensor (Low Coolant Level).....	1
25	a *4365	Plug.....	1

FOOTNOTES:

a Without Low Coolant Level Sensor

EXHAUST SYSTEM (Figure 2-33) YANMAR 2.6L AND 3.3L DIESEL

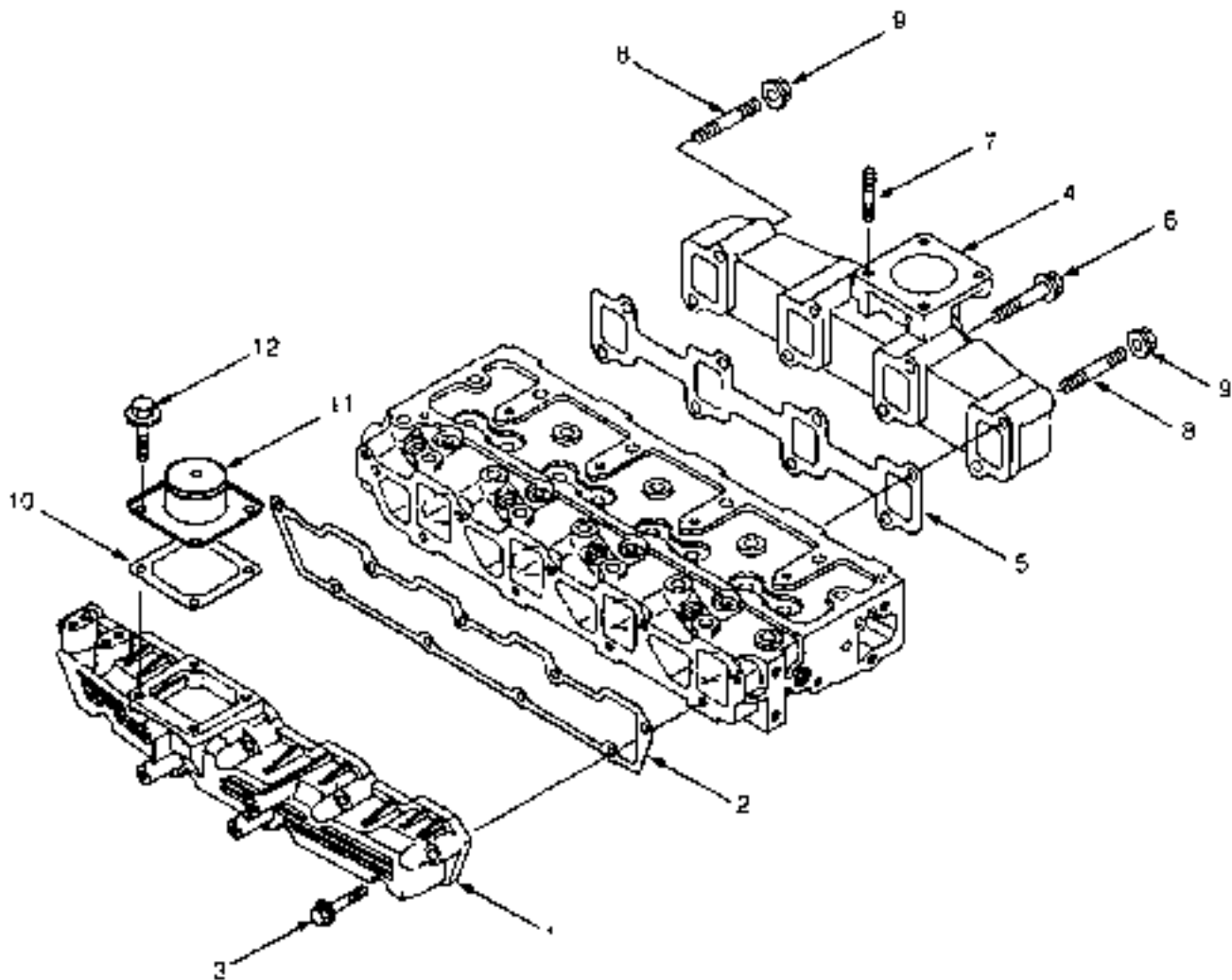


HP001226

**EXHAUST SYSTEM
YANMAR 2.6L AND 3.3L
DIESEL****KEY:****A: With Catalytic Converter****B: Without Catalytic Converter**

ITEM	PART NO.	DESCRIPTION	QTY	
			A	B
1	2021394	Cover	1	1
2	1534769	Exhaust Pipe	1	1
3	1347045	Fastener	3	3
4	1586013	Capscrew	3	3
5	320159	Washer	3	3
6	68968	Clamp	3	3
7	1533639	Cover	1	1
8	1567020	Exhaust Pipe (Overhead)	1	1
9	1588967	Exhaust Pipe (Counterweight)	1	1
10	1588629	Exhaust Pipe	1	
10	1588630	Exhaust Pipe (Not Illustrated)		1
11	878258	Purifier (Exhaust)	1	
12	1391757	Clamp	2	
13	1391758	Sock (Fiberglass)	1	
14	1588635	Exhaust Pipe	1	
15	1532363	Gasket	1	1
16	1582222	Lock Nut	4	4
17	1528938	Washer	4	4
18	1528930	Isolator	2	2
19	2075554	Muffler (Exhaust)	1	1
20	1532585	Washer	2	2
21	1528934	Spacer	2	2
22	1510115	Capscrew	2	2

INTAKE AND EXHAUST MANIFOLD (Figure 2-34) YANMAR 2.6L AND 3.3L DIESEL

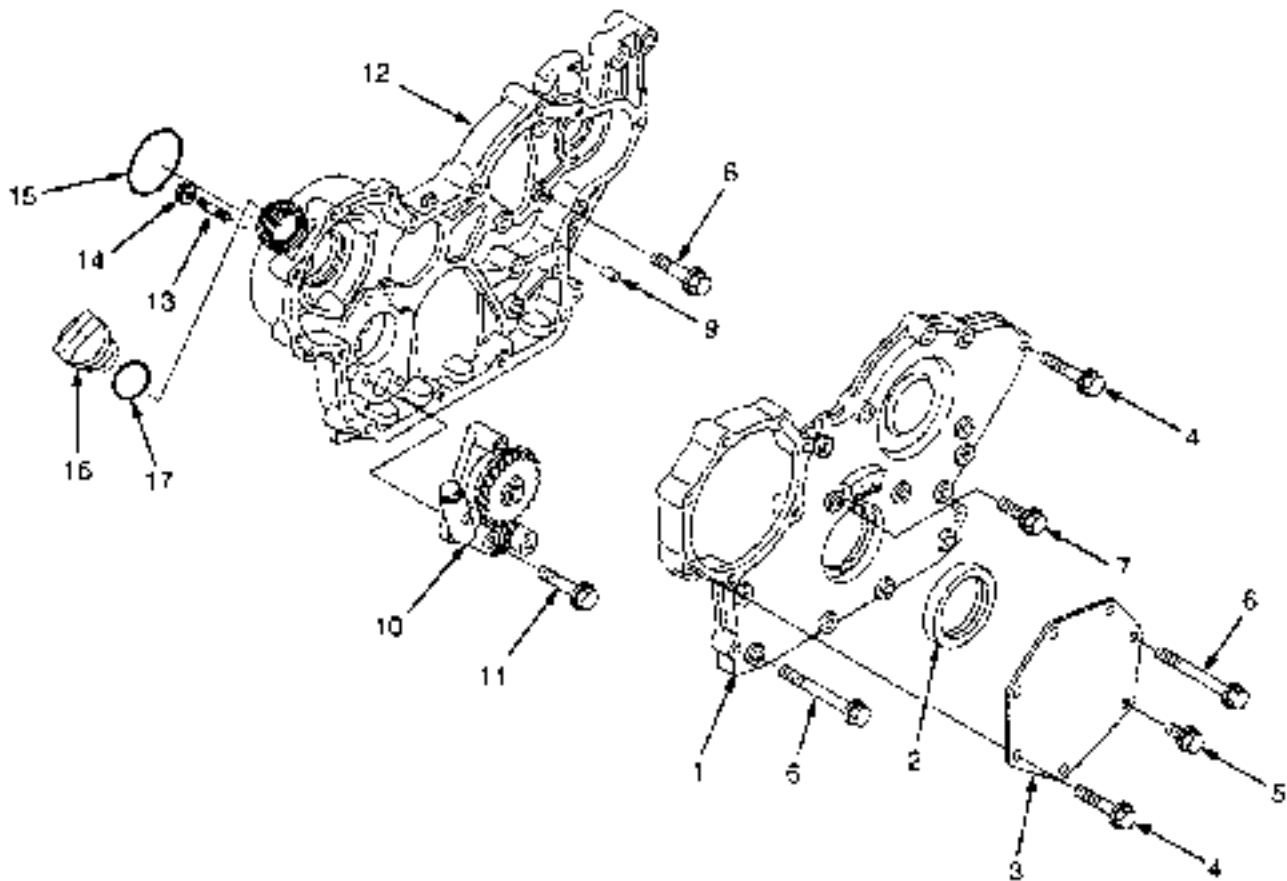


BP090-05

**INTAKE AND EXHAUST MANIFOLD
YANMAR 2.6L AND 3.3L
DIESEL**

ITEM	PART NO.	DESCRIPTION	QTY
	1501687	Engine Assembly (2.6L).....	1
	1501690	Engine Assembly (3.3L).....	1
1	1599556	Intake Manifold.....	1
2	1599543	Gasket.....	1
3	1599475	Bolt.....	9
4	1599559	Exhaust Manifold.....	1
5	1599560	Gasket.....	1
6	1599561	Bolt.....	9
7	1599562	Stud.....	4
8	1599563	Stud.....	2
9	2088378	Nut.....	2
*C	1599565	Gasket.....	1
*1	1599567	Joint.....	1
*2	1599568	Bolt.....	4
	1599998	Gasket Set (includes items 2, 5, 10).....	1
	1600385	Gasket Set (includes items 2, 5, 10).....	1

GEAR HOUSING (Figure 2-35) YANMAR 2.6L AND 3.3L DIESEL

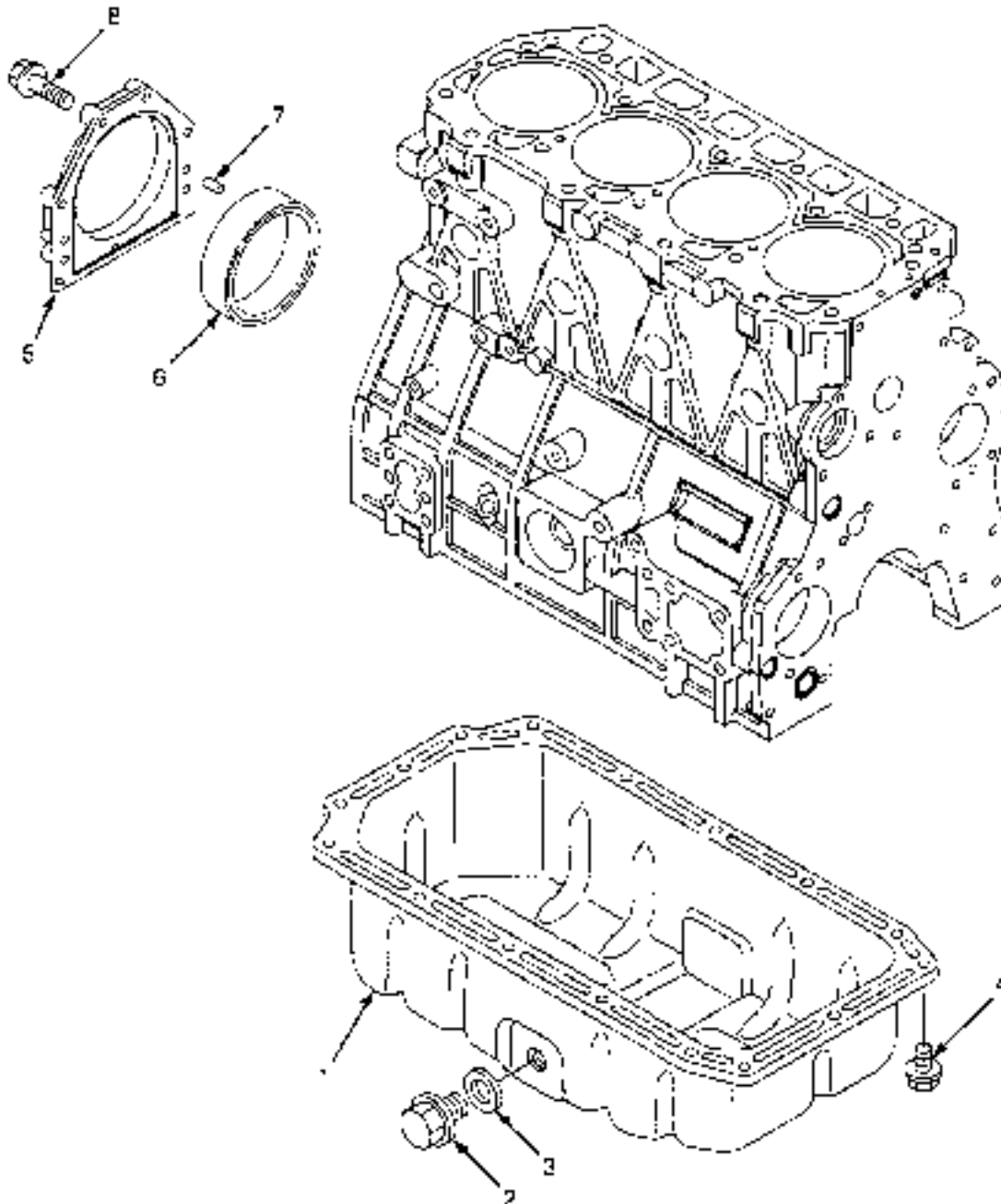


■P360182

**GEAR HOUSING
YANMAR 2.6L AND 3.3L
DIESEL**

ITEM	PART NO.	DESCRIPTION	QTY
	1501687	Engine Assembly (2.6L)	1
	1501690	Engine Assembly (3.3L)	1
1	1599459	Gear Cover Assembly	1
2	1599460	Oil Seal	1
3	1599461	Cover	1
4	1599473	Bolt	10
5	1599470	Bolt	1
6	1599476	Bolt	7
7	1599472	Bolt	1
8	1599471	Bolt	3
9	1599458	Pin	4
10	1599466	Pump	1
11	1599475	Bolt	1
12	1599465	Gear Case	1
13	1599467	Stud	3
14	2068378	Nut	3
15	1599462	O-Ring	1
16	1599463	Cap (O' Filt)	1
17	1599464	O-Ring	1
	1599478	Liquid Gasket	AR
	1800085	Gasket Set (Includes Items 15, 17)	1
	1599898	Gasket Set (Includes Items 15, 17)	1

OIL PAN (Figure 2-36) YANMAR 2.6L AND 3.3L DIESEL

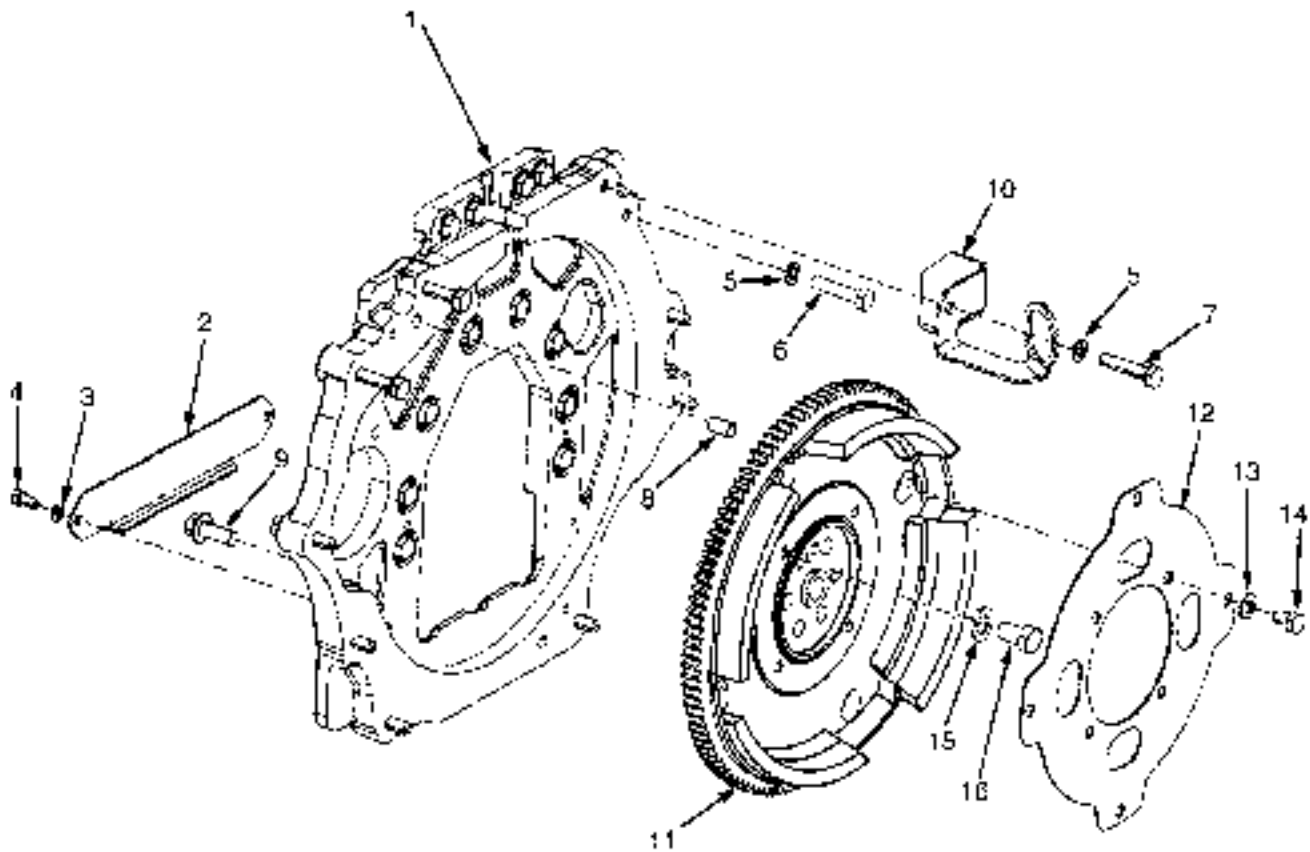


HY19C181

**OIL PAN
YANMAR 2.6L AND 3.3L
DIESEL**

ITEM	PART NO.	DESCRIPTION	QTY
	1501687	Engine Assembly (2.6L)	1
	1501690	Engine Assembly (3.3L)	1
1	1599479	Oil Pan.....	1
2	1599480	Drain Plug	1
3	1599481	Seal.....	1
4	1599448	Bolt.....	16
5	1599483	Case.....	1
6	1599484	Seal.....	1
7	1599459	Pin.....	2
8	1599485	Bolt.....	8
	1599478	Liquid Gasket (Not Illustrated)	AS
	1600025	Gasket Set (Includes Items 3, 9)	1
	1599398	Gasket Set (Includes Items 3, 9)	1

FLYWHEEL AND HOUSING (Figure 2-37) YANMAR 2.6L AND 3.3L DIESEL

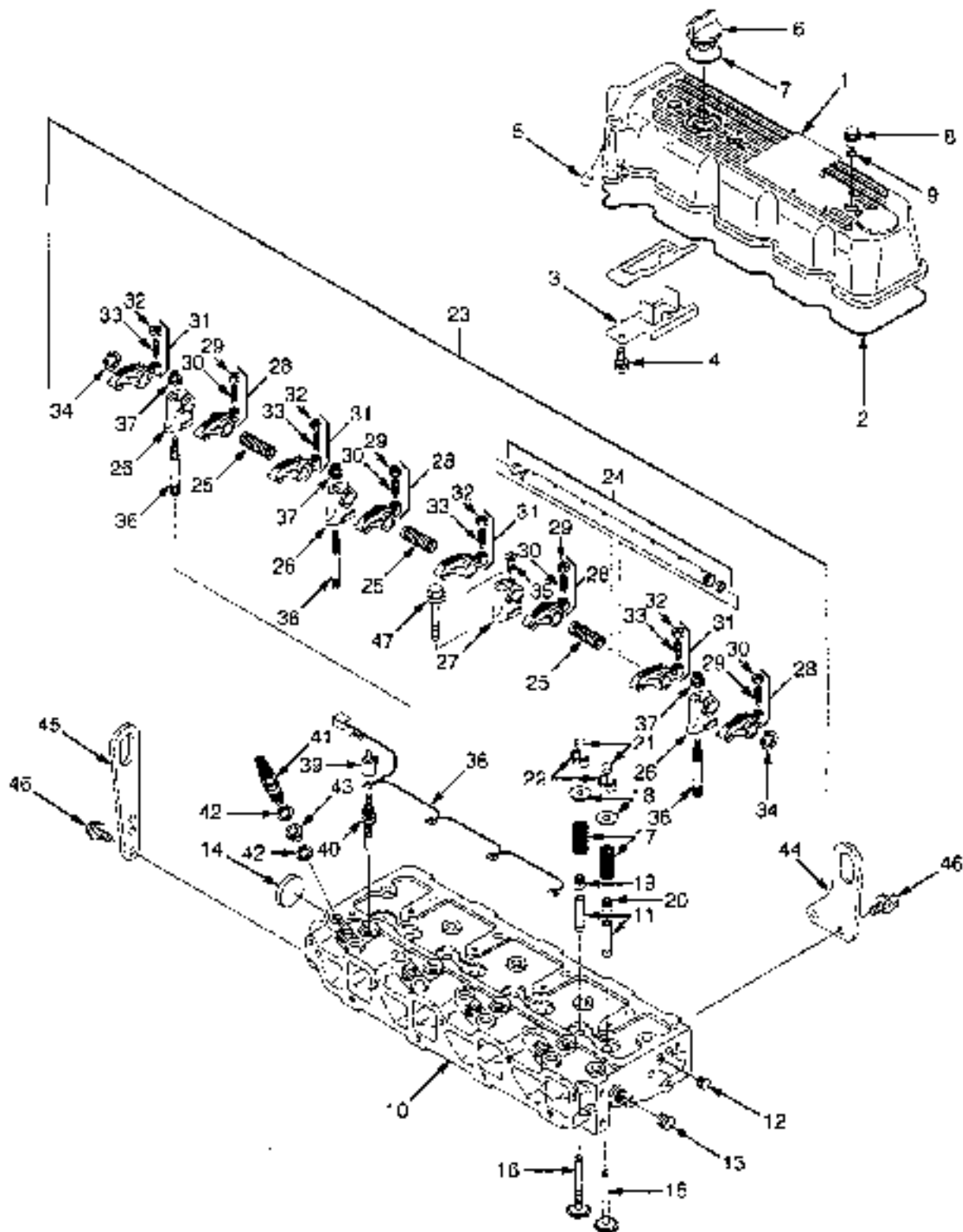


HP081235

**FLYWHEEL AND HOUSING
YANMAR 2.6L AND 3.3L
DIESEL**

ITEM	PART NO.	DESCRIPTION	QTY
1	1553265	Housing	1
2	1522363	Cover	1
3	282681	Lockwasher	2
4	287851	Capcrew	2
5	282682	Lockwasher	22
6	138985	Capcrew	12
7	29257	Capcrew	10
8	303150	Pin	2
9	1528889	Capcrew	2
10	1551608	Bracket	1
11	1598007	Flywheel	1
12	1531806	Flex Plate	1
13	296420	Washer	4
14	293626	Capcrew	4
15	296424	Washer	6
16	1550747	Capcrew	6
	1584621	Sealant	AR

CYLINDER HEAD (Figure 2-38) YANMAR 2.6L AND 3.3L DIESEL



BP026144

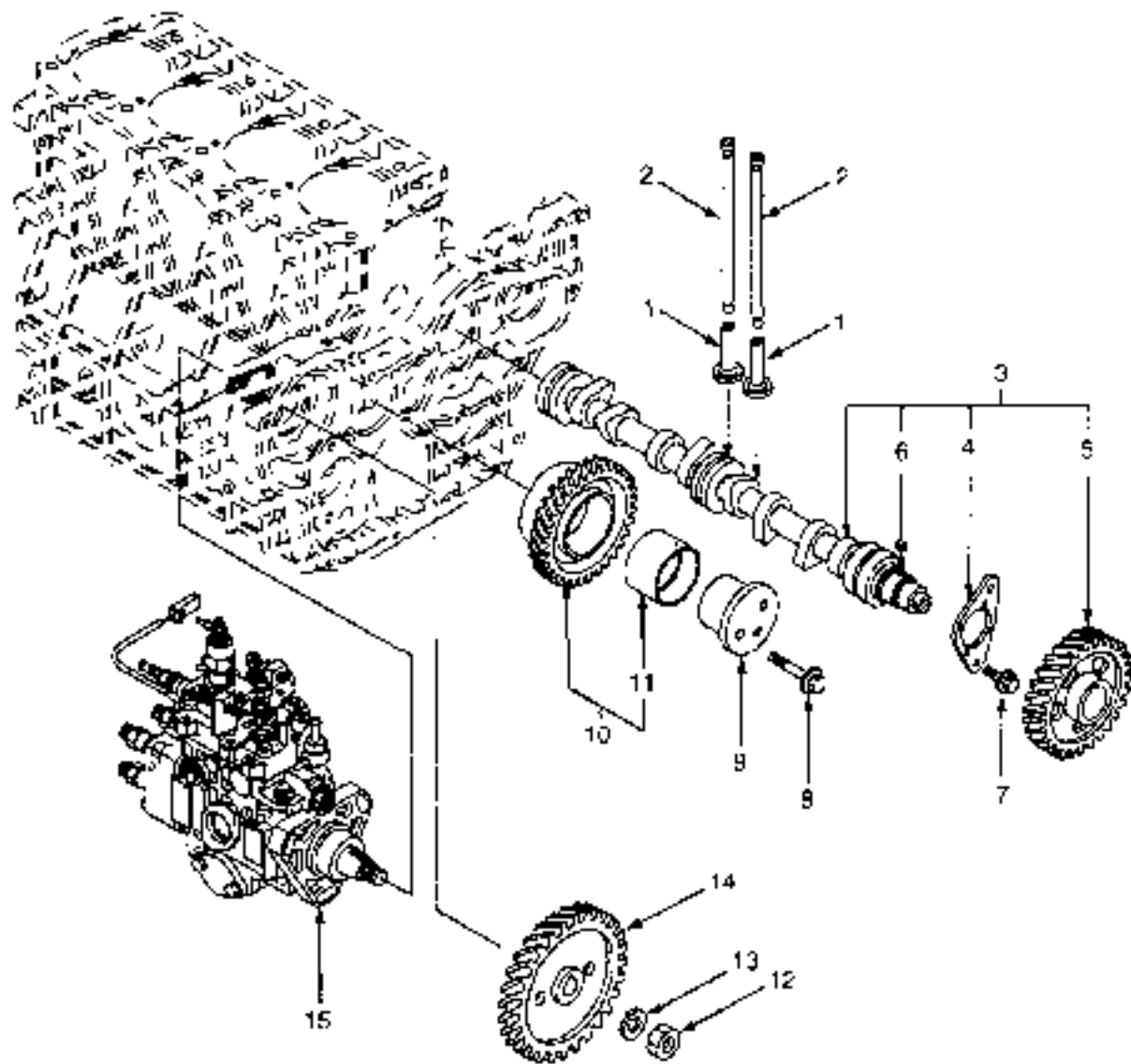
**CYLINDER HEAD
YANMAR 2.6L AND 3.3L
DIESEL**

ITEM	PART NO.	DESCRIPTION	QTY
	1501687	Engine Assembly (2.6L)	1
	1501630	Engine Assembly (3.3L)	1
1	1599546	Cover	1
2	1599546	Gasket	1
3	1599547	Plate	1
4	1599546	Screw	2
5	1599549	Plug	1
6	1599483	Cap (Oil Fill)	1
7	1599484	O-Ring	1
8	1599544	Valve Cover Nut	3
9	1599550	O-Ring	3
10	1599488	Cylinder Head Assembly (2.6L)	1
10	1600273	Cylinder Head Assembly (3.3L)	1
10	1599524	Cylinder Head (2.6L)	1
10	1600274	Cylinder Head (3.3L)	1
11	1599525	Valve Guide	8
12	1599526	Plug	1
13	1599441	Plug	1
14	1599528	Plug	1
15	1599489	Intake Valve	4
16	1599518	Exhaust Valve	4
17	1599517	Spring	8
18	1599518	Retainer	8
19	1599519	Seal (Exhaust Valve)	4
20	1599520	Seal (Intake Valve)	4
21	1599521	Cap	8
22	1599529	Cotter	8
23	1599530	Rocker Arm Support Assembly	1
24	1599531	Rocker Arm Shaft	1
25	1599532	Spring	3
26	1599533	Support	3
27	1599534	Support	1
28	1599535	Intake Rocker Arm Kit	4
29	1599536	Screw	1
30	1599537	Nut	1
31	1599538	Exhaust Rocker Arm Kit	4
32	1599536	Screw	1
33	1599537	Nut	1
34	1599539	Clip	2
35	1599540	Screw	1
36	1599541	Stud	3
37	1599542	Nut	3
38	1599553	Connector (Glow Plug)	1
39	1599557	Cover	4
40	1599552	Glow Plug	4
41	1599819	Nozzle	1
42	1599523	Gasket	8
43	1599522	Protector	4
44	1599487	Lifting Eye	1
45	1599486	Lifting Eye	1

CYLINDER HEAD YANMAR 2.6L AND 3.3L DIESEL

ITEM	PART NO.	DESCRIPTION	QTY
46	1599470	Bolt	4
47	1599555	Bolt	4
	1600065	Gasket Set (3.3L) (inc.udas Items 2, 7, 9, 19-20, 42-43).....	1
	1599898	Gasket Set (2.6L) (inc.udas Items 2, 7, 9, 19-20, 42-43).....	1

CAMSHAFT AND DRIVE GEAR (Figure 2-39) YANMAR 2.6L AND 3.3L DIESEL

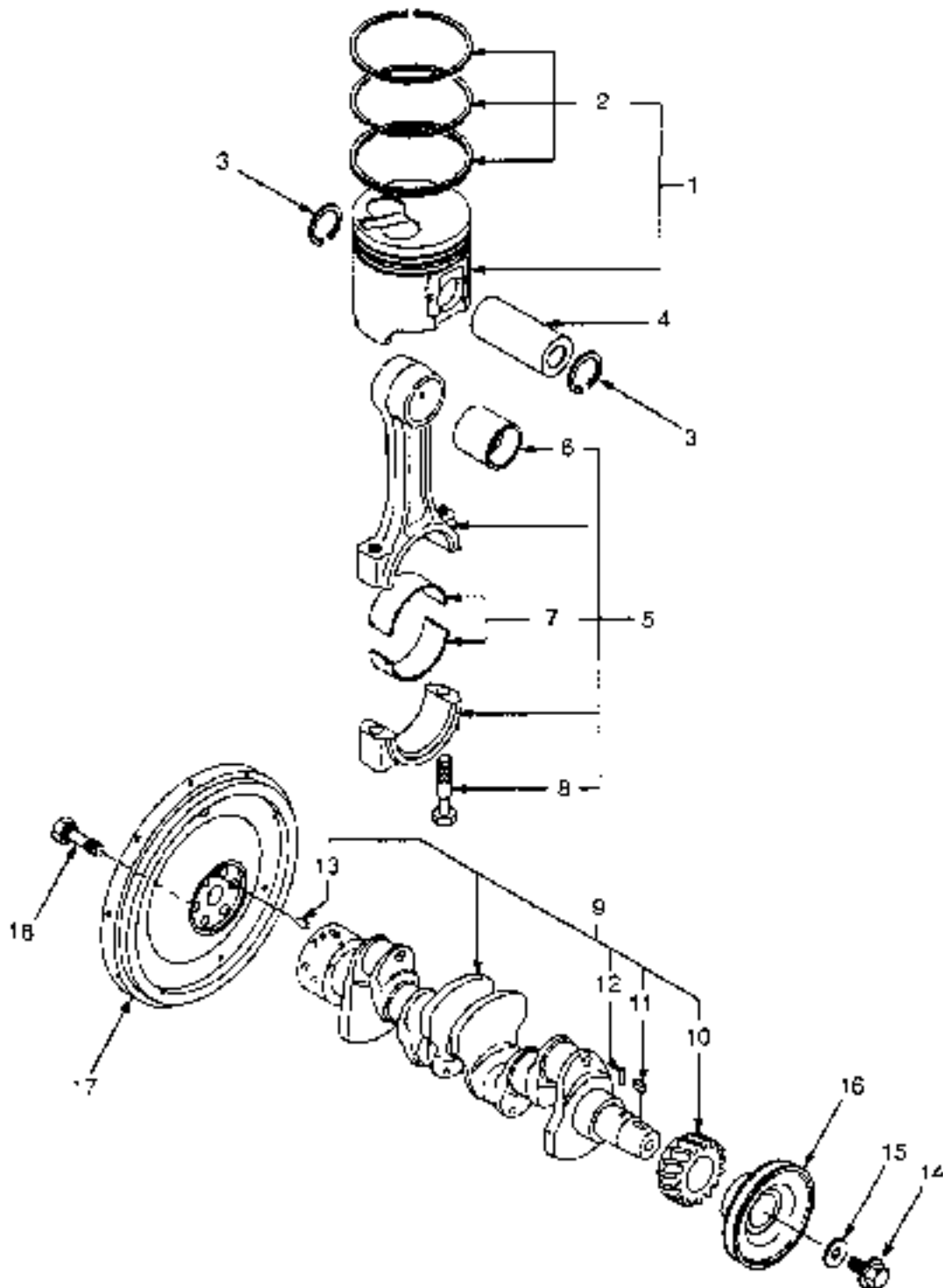


2P00101

**CAMSHAFT AND DRIVE GEAR
YANMAR 2.6L AND 3.3L
DIESEL**

ITEM	PART NO.	DESCRIPTION	QTY
	1501687	Engine Assembly (2.6L)	1
	1501690	Engine Assembly (3.3L)	1
1	1599569	Tappet	8
2	1599570	Push Rod	8
3	1599571	Camshaft Assembly	1
4	1599572	Retainer	1
5	1599573	Gear	1
6	1599574	Key	1
7	1599470	Bolt	2
8	1599579	Bolt	2
9	1599576	Idler Shaft	1
10	1599577	Idler Gear	1
11	1599578	Bushing	1
12	1599582	Lock Nut	1
13	1599581	Spring Washer	1
14	1599580	Gear	1
15	1599901	Fuel Injection Pump (2.6L) (see Figure 3-11) ..	1
15	1600084	Fuel Injection Pump (3.3L) (see Figure 3-11) ..	1

CRANKSHAFT AND PISTONS (Figure 2-40) YANMAR 2.6L AND 3.3L DIESEL

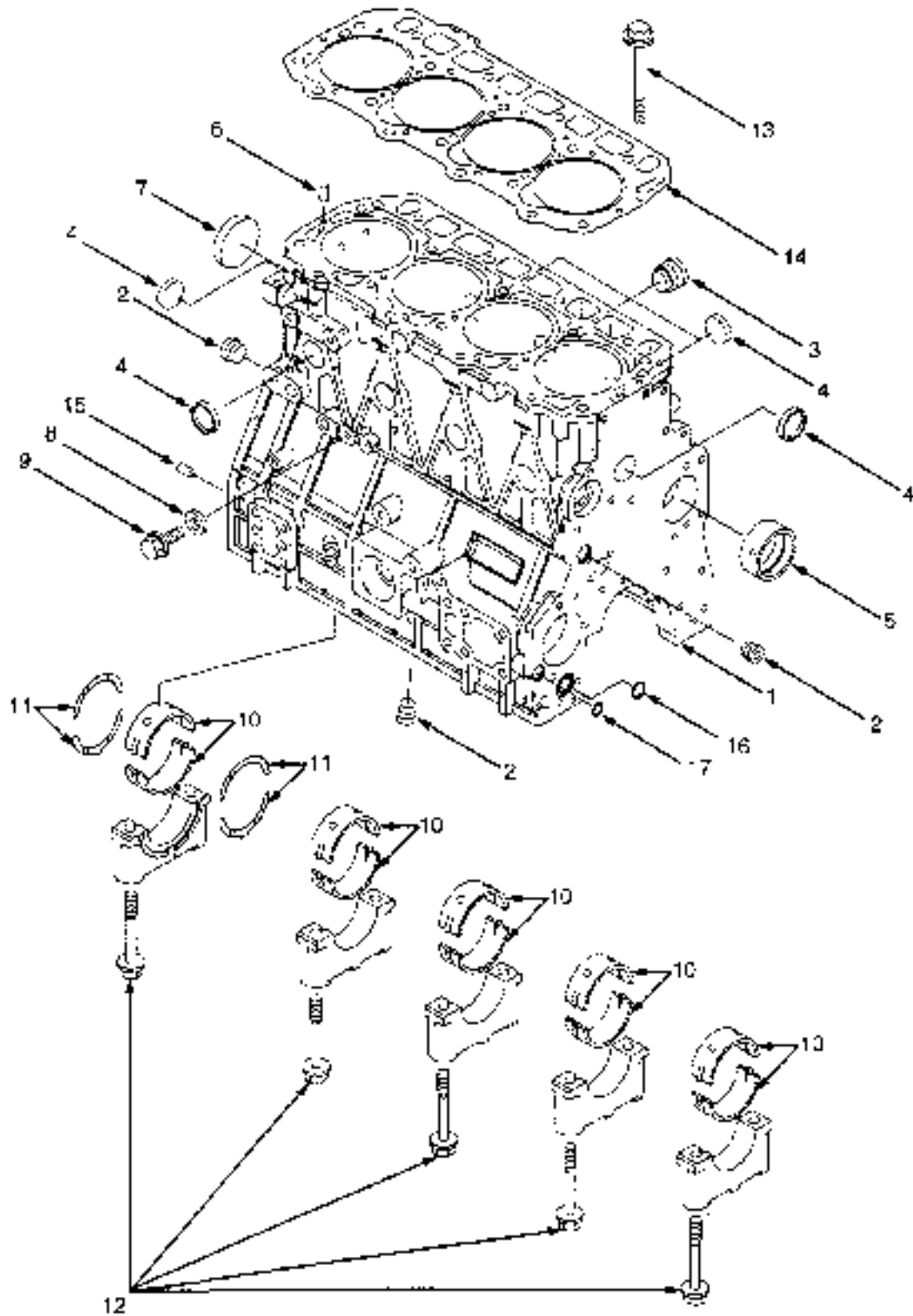


BP200107

CRANKSHAFT AND PISTONS YANMAR 2.6L AND 3.3L DIESEL

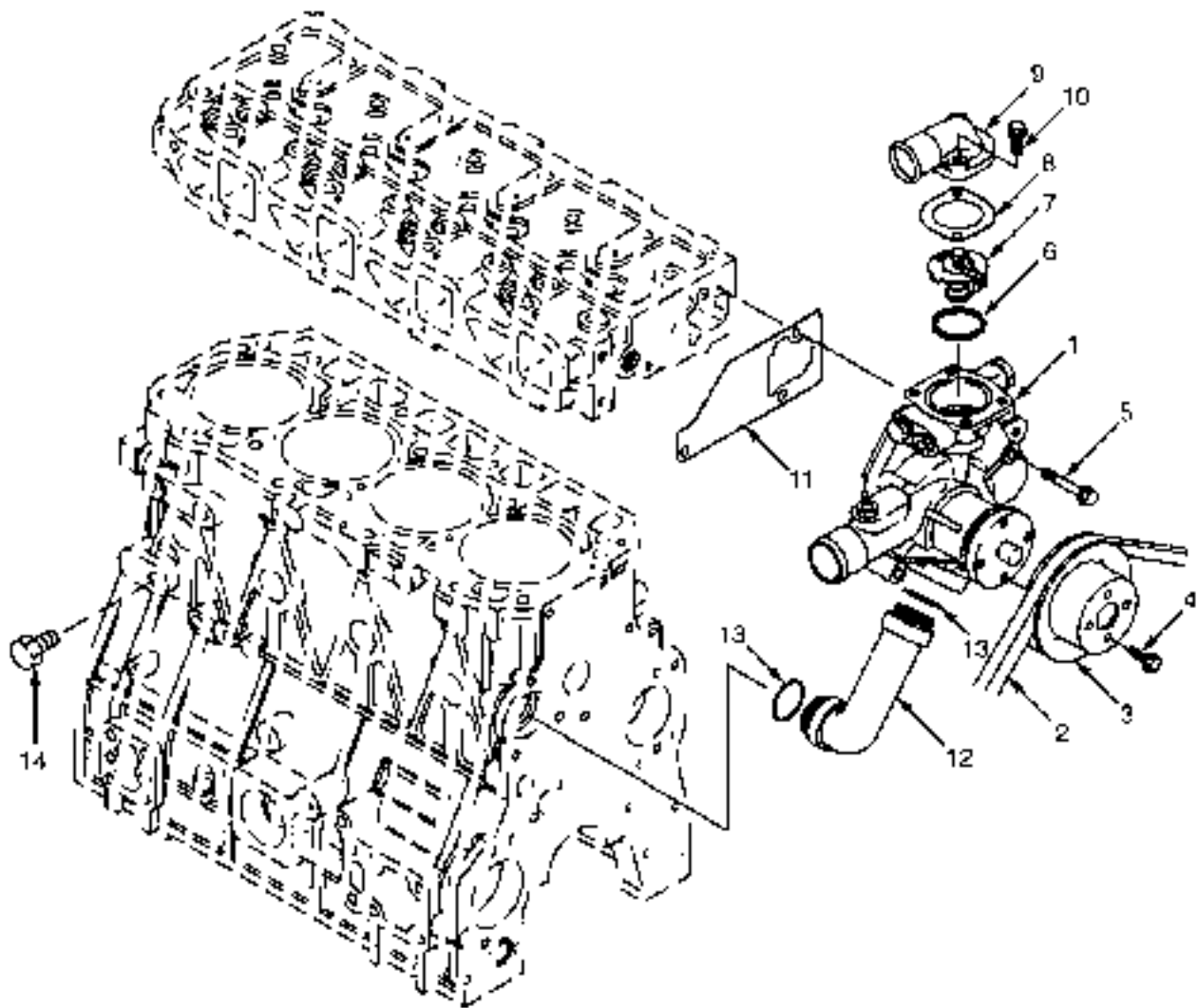
ITEM	PART NO.	DESCRIPTION	QTY
	1501687	Engine Assembly (2.6L).....	1
	1501690	Engine Assembly (3.3L).....	1
1	1599592	Piston Assembly (With Standard Rings) (2.6L) ..	4
1	1600276	Piston Assembly (With Standard Rings) (3.3L) ..	4
1	1599600	Piston Assembly (With O/S 0.25 Rings) (2.6L) ..	4
1	1600278	Piston Assembly (With O/S 0.25 Rings) (3.3L) ..	4
2	1599599	Ring Set (Standard) (2.6L).....	1
2	1600277	Ring Set (Standard) (3.3L).....	1
2	1599601	Ring Set (O/S 0.25) (2.6L).....	1
2	1600279	Ring Set (O/S 0.25) (3.3L).....	1
3	1599595	Snap Ring.....	8
4	1599594	Pin	4
5	1599596	Connecting Rod Assembly.....	4
6	1599597	Bushing	1
7	1599599	Bearing (Standard).....	1
7	1599602	Bearing (O/S 0.25).....	4
8	1599598	Bolt	2
9	1599583	Crankshaft Assembly (2.6L).....	1
9	1600275	Crankshaft Assembly (3.3L).....	1
10	1599584	Gear.....	1
11	1599574	Key	1
12	1599585	Pin	1
13	1599586	Pin	1
14	1599580	Bolt	1
15	1599589	Washer	1
16	1599588	Pulley.....	1
17	1599603	Flywheel.....	1
19	1599591	Bolt.....	6

CYLINDER BLOCK (Figure 2-41) YANMAR 2.6L AND 3.3L DIESEL



0P300181

WATER PUMP (Figure 2-42) YANMAR 2.6L AND 3.3L DIESEL

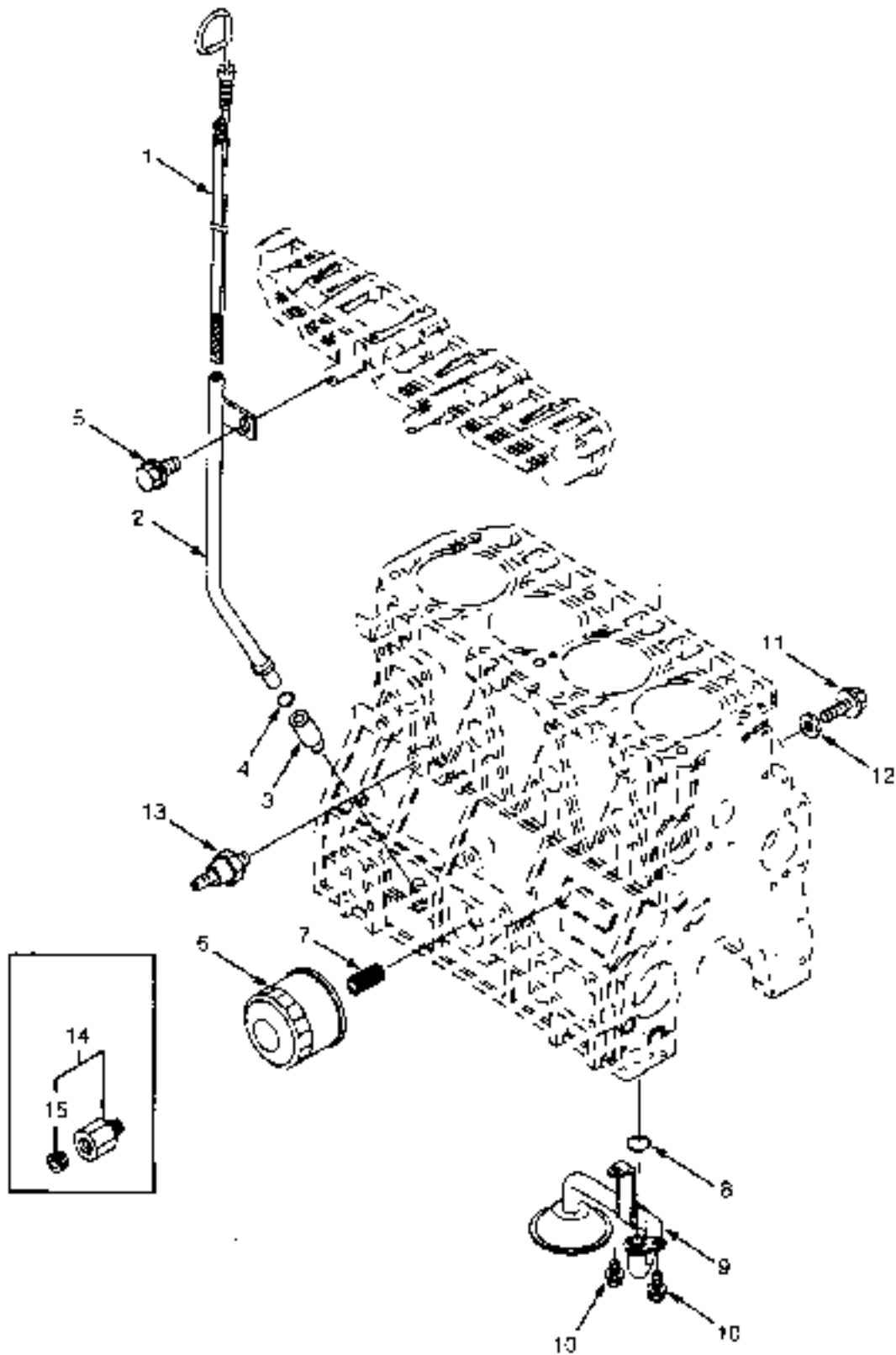


BP000173

**WATER PUMP
YANMAR 2.6L AND 3.3L
DIESEL**

ITEM	PART NO.	DESCRIPTION	QTY
	1501867	Engine Assembly (2.6L)	1
	1501890	Engine Assembly (3.3L)	1
1	1599804	Water Pump	1
2	1599794	V-Belt	1
3	1599795	Pulley	1
4	1599448	Bolt	4
5	1599579	Bolt	3
6	1597709	Gasket	1
7	1599800	Thermostat	1
8	1597710	Gasket	1
9	1599798	Cover	1
10	1599801	Bolt	1
11	1599803	Gasket	1
12	1599797	Pipe	1
13	1599807	O-Ring	2
14	1599802	Drain Plug	2
	1599898	Gasket Set (Includes Items 11-13)	1
	1600085	Gasket Set (Includes Items 11-13)	1

LUBRICATION SYSTEM (Figure 2-43) YANMAR 2.6L AND 3.3L DIESEL



8F02163

**LUBRICATION SYSTEM
YANMAR 2.6L AND 3.3L
DIESEL**

ITEM	PART NO.	DESCRIPTION	QTY
	1501687	Engine Assembly (2.6l) ..	1
	1501690	Engine Assembly (3.3L) ..	1
1	1599604	Dipstick ..	1
2	1599606	Tube (Dipstick) ..	1
3	1599605	Guide ..	1
4	1599607	O-Ring ..	1
5	1599470	Bolt ..	1
6	2077989	Oil Filter ..	1
7	1599610	Stud ..	1
8	1599468	O-Ring ..	1
9	1599611	Pipe ..	1
10	1599612	Bolt ..	2
11	1599448	Bolt ..	1
12	1599445	Washer ..	1
13	1599613	Switch (Oil Pressure) ..	1
14	1599616	Plug Assembly ..	1
15	1599793	Plug ..	1
	1599898	Gasket Set (includes items 4, 8, 12) ..	1
	1600085	Gasket Set (includes items 4, 8, 12) ..	1

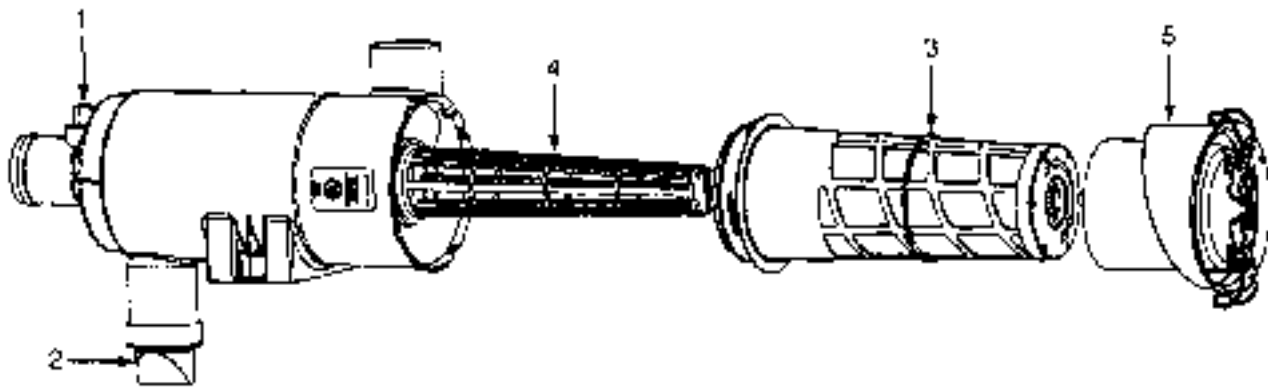
3

FUEL SYSTEM

**SECTION 3
FUEL SYSTEM**

DESCRIPTION	PAGE
AIR CLEANER ASSEMBLY	3-2
AIR INTAKE AND FILTER SYSTEM	
GM 2.4L	
LPG	3-5
MAZDA 2.0L AND 2.2L	
LPG	3-4
YANMAR 2.6L AND 3.3L	
DIESEL	3-8
FUEL FILTER AND WATER SEPARATOR	
YANMAR 2.6L AND 3.3L	
DIESEL	3-26
FUEL INJECTION SYSTEM	
YANMAR 2.6L AND 3.3L	
DIESEL	3-24
FUEL SYSTEM	
GM 2.4L	
LPG	3-14
MAZDA 2.0L AND 2.2L	
LPG	3-10
YANMAR 2.6L AND 3.3L	
DIESEL	3-22
LPG BRACKET ASSEMBLY	
EXCHANGE BRACKET	3-18
SWING OUT BRACKET	3-20
LPG REGULATOR	
GM 2.4L	3-16
MONITOR PEDAL ASSEMBLY	3-38
THROTTLE BODY AND ATTACHING PARTS	
GM 2.4L	
LPG	3-32
THROTTLE CABLE ASSEMBLY	
MAZDA 2.0L AND 2.2L	
LPG	3-28
YANMAR 2.6L AND 3.3L	
DIESEL	3-30
THROTTLE PEDAL AND ATTACHING PARTS	
MAZDA 2.0L AND 2.2L/GM 2.4L	
LPG	3-36
THROTTLE POSITION SENSOR AND ATTACHING PARTS	
YANMAR 2.6L AND 3.3L	
DIESEL	3-34

AIR CLEANER ASSEMBLY (Figure 3-1)



HP301127

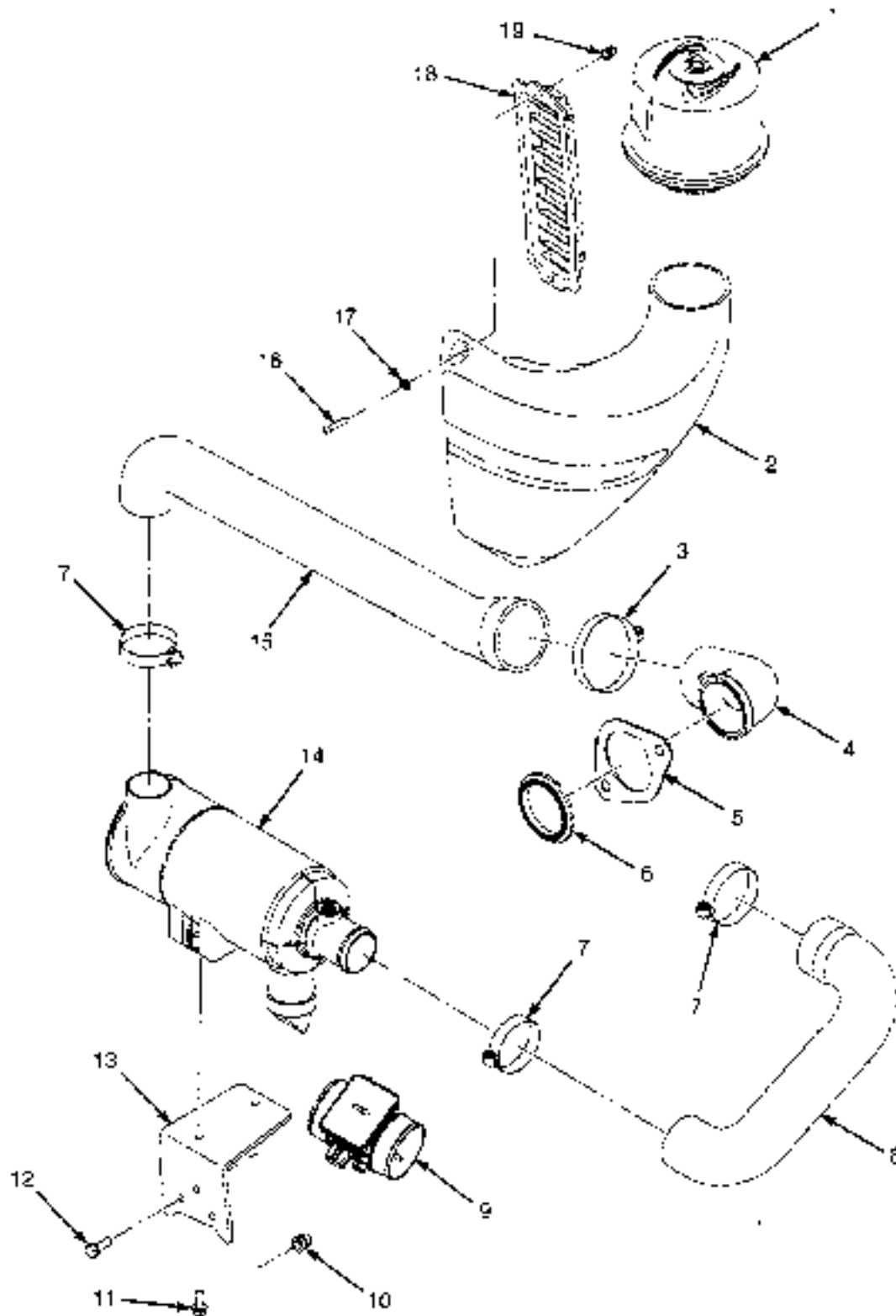
KEY:

A: Yanmar Diesel and GM LPG Engines

B: Mazda LPG Engines

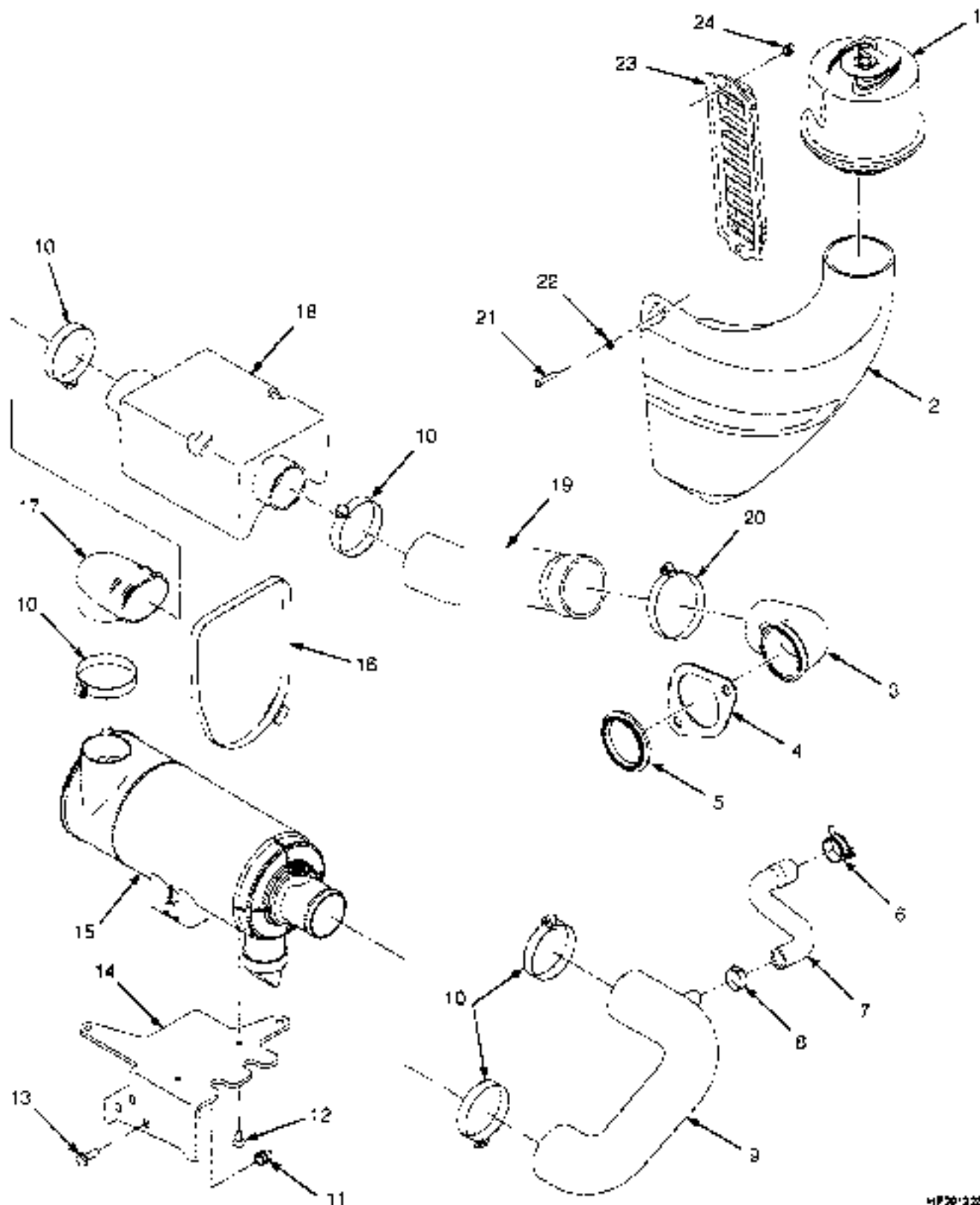
ITEM	PART NO.	DESCRIPTION	QTY	
			A	B
	2055193	Air Cleaner Assembly	1
	1501855	Air Cleaner Assembly	1	..
1	141331	Cap	1	1
2	374923	Valve	1	1
3	1559418	Filter	1
3	1574111	Filter	1	..
4	1559419	Liner (with O-Ring)	1
4	1574260	Liner (with O-ring)	1	..
5	1559420	Cover	1
5	1574131	Cover	1	..

AIR INTAKE AND FILTER SYSTEM (Figure 3-2) MAZDA 2.0L AND 2.2L LPG



HP001201

AIR INTAKE AND FILTER SYSTEM (Figure 3-3) GM 2.4L LPG

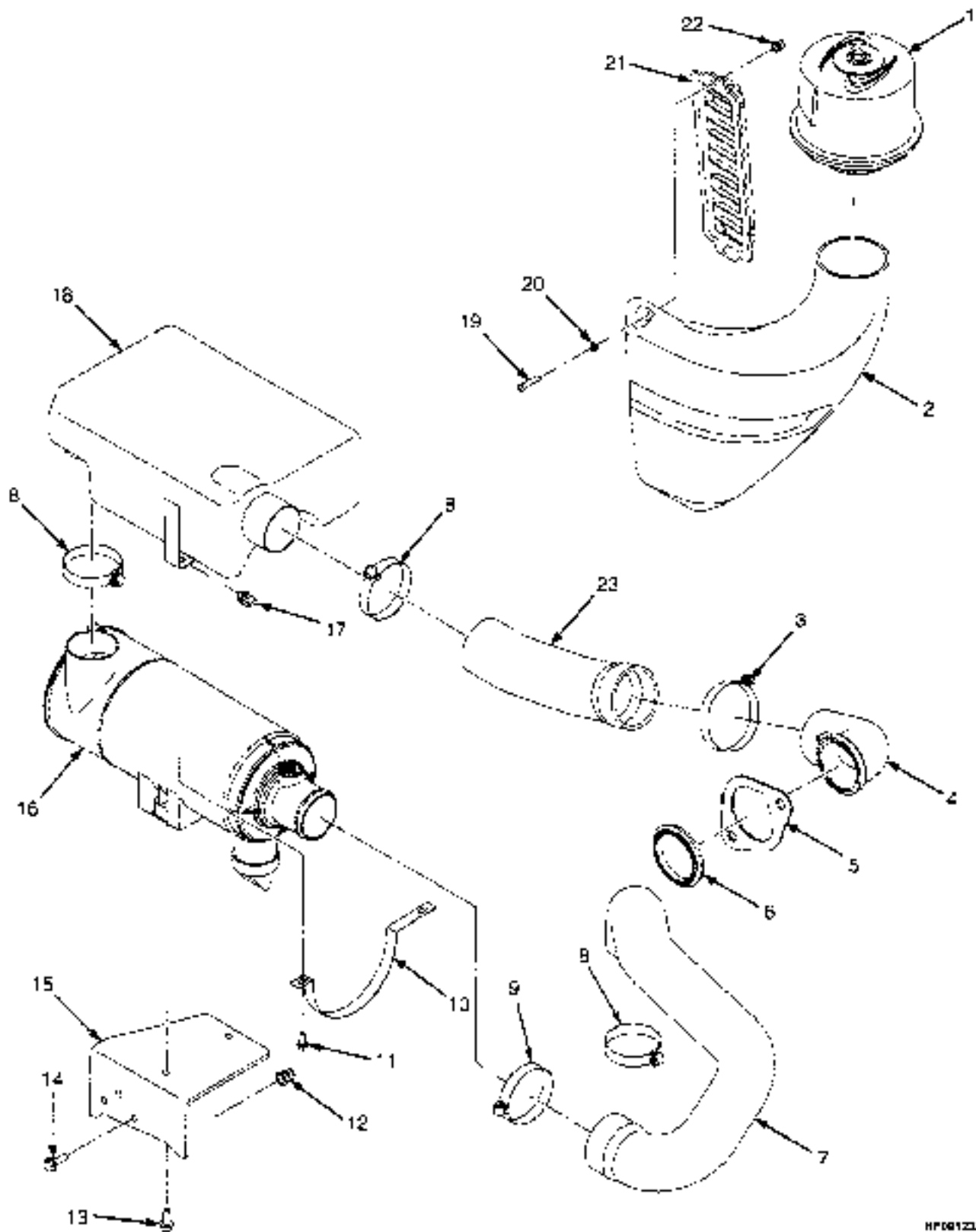


HP30122

**AIR INTAKE AND FILTER SYSTEM
GM 2.4L
LPG**

ITEM	PART NO	DESCRIPTION	QTY
1	1501888	Pre-Cleaner	1
2	1565201	Air Duct	1
3	1581438	Elbow	1
4	1581438	Retainer	1
5	1502079	Grommet	1
6	1501997	Clamp	1
7	1501887	Hose	1
8	353199	Clamp	1
9	1501837	Hose	1
10	112989	Clamp	5
11	1530243	Insert	3
12	296481	Screw	2
13	1583611	Capscrew	3
14	1582159	Bracket	1
15	1501855	Air Cleaner Assembly (See Figure 3-1)	1
16	1580068	Strap	1
17	1565189	Elbow	1
18	1565200	Silencer	1
19	1565212	Hose	1
20	115696	Clamp	1
21	2071281	Capscrew	2
22	1506738	Washer	2
23	2067476	Grill	1
24	1531558	Insert	2

AIR INTAKE AND FILTER SYSTEM (Figure 3-4) YANMAR 2.6L AND 3.3L DIESEL

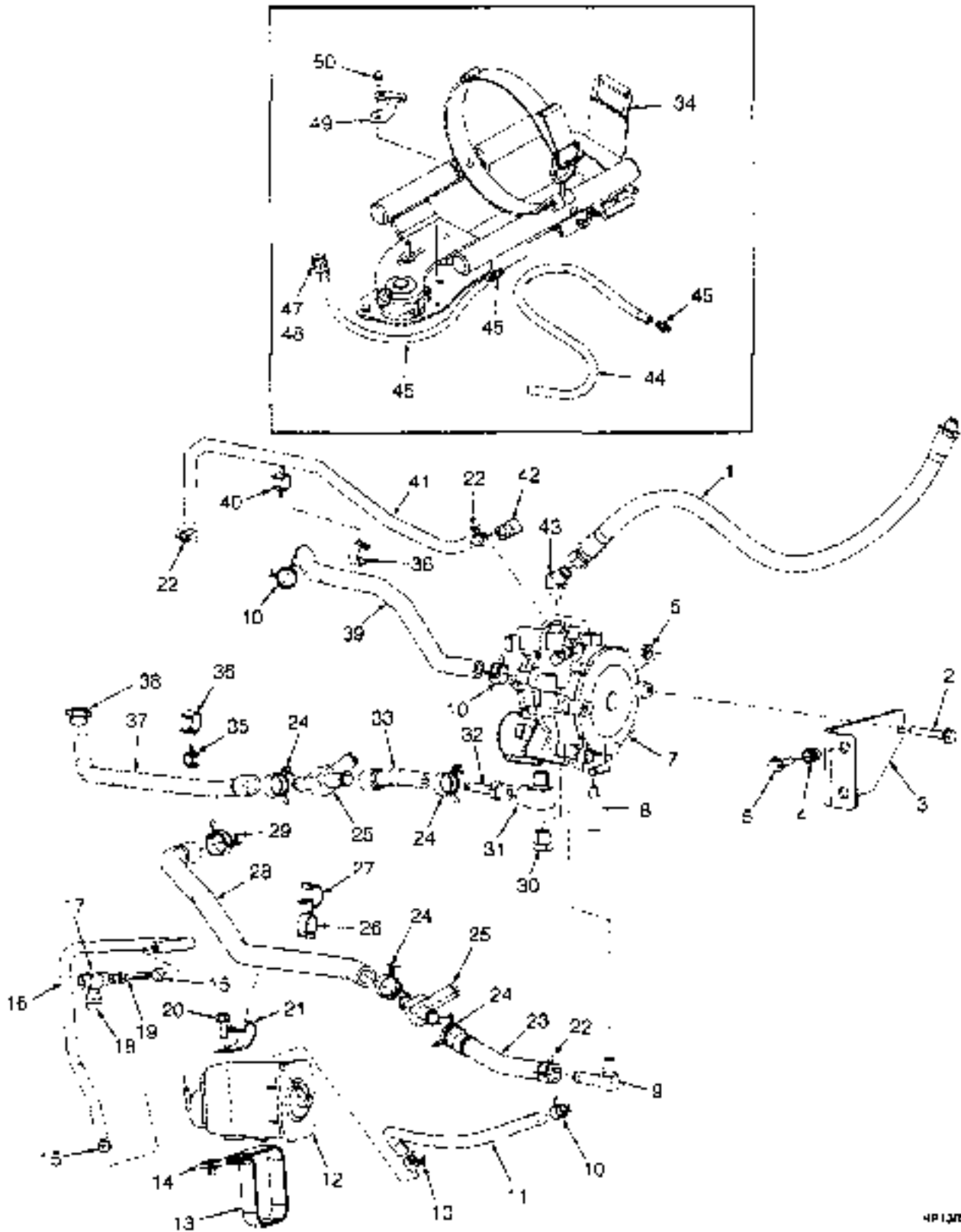


HF00122

**AIR INTAKE AND FILTER SYSTEM
YANMAR 2.6L AND 3.3L
DIESEL**

ITEM	PART NO	DESCRIPTION	QTY
1	1501888	Pre-Cleaner	1
2	1565201	Air Duct.....	1
3	115698	Clamp	1
4	1581438	Elbow	1
5	1581439	Rela ne* (Elbow).....	1
6	*502079	Grommet.....	1
7	2075783	Hose	1
8	*12989	Clamp	3
9	*394008	Clamp	1
10	1589542	Strap	1
11	1527676	Capscrew.....	2
12	1530243	Insert.....	3
13	1527880	Capscrew	2
14	1583611	Capscrew.....	3
15	1501849	Bracket.....	1
16	1501855	Air Cleaner Assembly (See Figure 3-1)	1
17	1566420	Clip Nut.....	2
18	2078092	Spacer.....	1
19	2071261	Capscrew.....	2
20	1506738	Washer	2
21	2067476	Grill	1
22	1531558	Insert	2
23	1565212	Hose	1

FUEL SYSTEM (Figure 3-5) MAZDA 2.0L AND 2.2L LPG



4P137824

**FUEL SYSTEM
MAZDA 2.0L AND 2.2L
LPG****KEY:**

A. With Cab

B. With Overhead Guard

ITEM	PART NO.	DESCRIPTION	QTY	
			A	B
1	2072300	Hose	1	1
2	1510115	Capscrew.....	2	2
3	1502069	Bracket (Regulator).....	1	1
4	1530243	Insert.....	2	2
5	1527881	Capscrew	2	2
6	1502543	Nut (Flange).....	2	2
7	1594144	Regulator Lockout.....	1	1
8	1502058	Fitting	1	1
9	16788	Fitting	1	1
10	1502003	Clamp	4	4
11	260878	Hose	1	1
12	1471694	Resonator	1	1
13	1475409	Clamp	1	1
14	1480237	Clamp Nut.....	1	1
15	369815	Clamp	2	2
16	1502085	Hose	1	1
17	16189	Fitting.....	1	1
18	16188	Fitting	1	1
19	1502027	Nipple	1	1
20	1527880	Capscrew.....	1	1
21	1338452	Clamp	1	1
22	1502007	Clamp	3	3
23	2071303	Hose	1	1
24	1501994	Clamp	2	2
25	366000	Nipple	1	1
26	1502066	Clamp	1	1
27	1502054	Clamp	1	1
28	1502082	Hose	1	1
28	2071302	Hose	1	1
29	1501895	Clamp	1	1
30	16143	Fitting.....	1	1
31	63108	Fitting	1	1
32	1502005	Clamp	4	2
33	147776	Fitting.....	1	1
34	2080338	Hose	1	1
35	1608989	Nipple	1	1
36	1502055	Clamp	1	1
37	1502053	Clamp	2	2
38	1502083	Hose	1	1
38	2070784	Hose	1	1
39	1502081	Hose	1	1
40	1543694	Clamp (Swivel).....	1	1
41	1502084	Hose	1	1
42	15971	Fitting	1	1
43	16663	Fitting	1	1

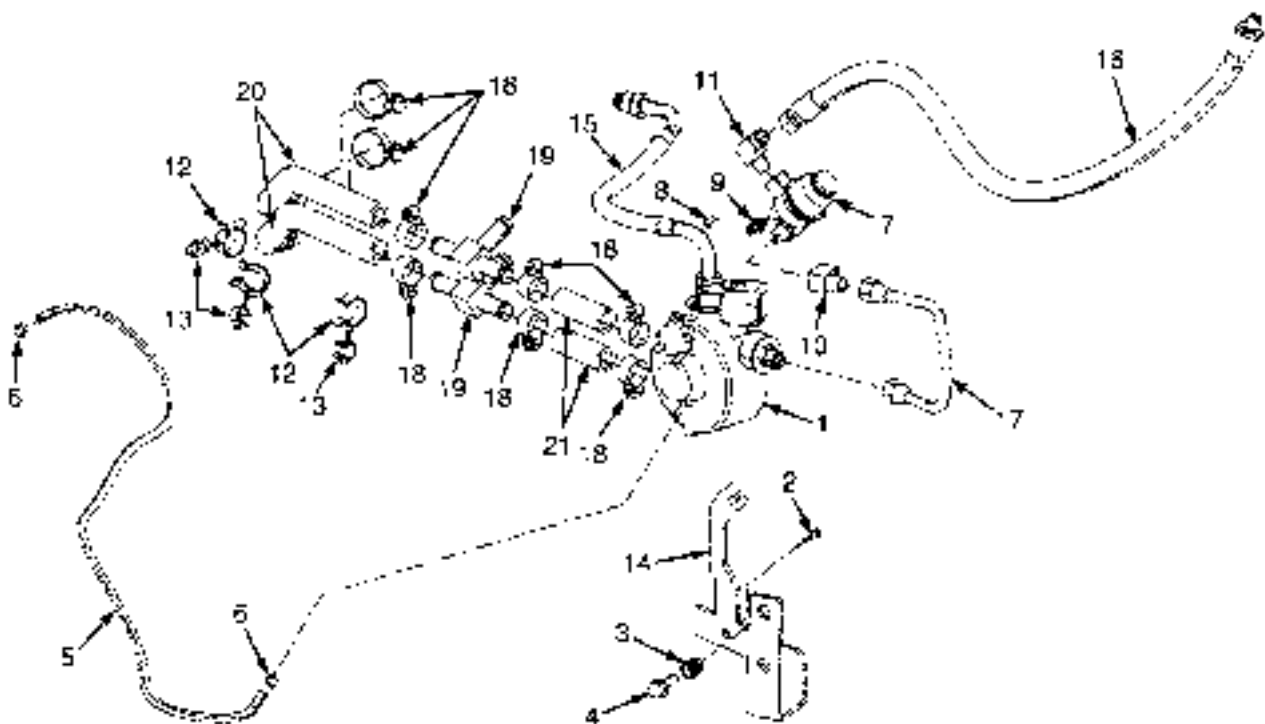
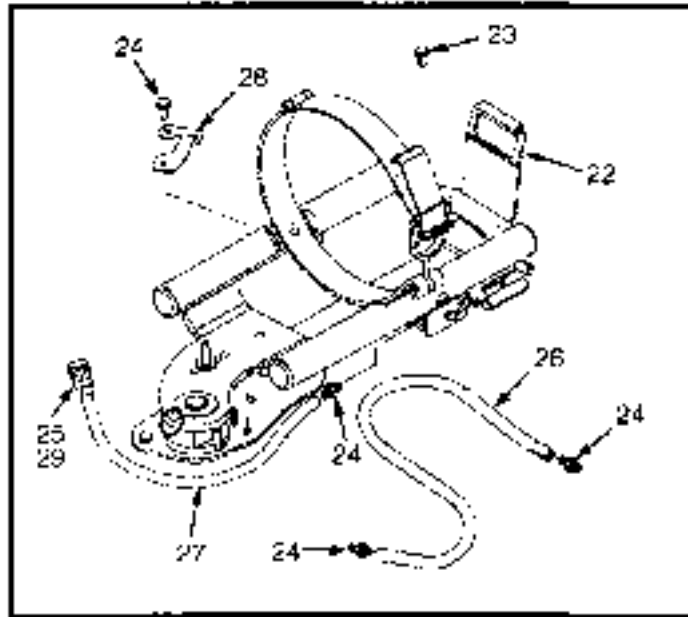
**FUEL SYSTEM
MAZDA 2.0L AND 2.2L
LPG**

ITEM	PART NO.	DESCRIPTION	QTY	
			A	B
44	2072298	Hose	1	1
45	16134	Fitting.....	2	2
46	2058425	Hose	1	1
47	97899	Disconnect.....	1	1
48	2071517	Sleeve.....	1	1
49	a 1564061	Bracket.....	1	1
50	1586013	Capscrew.....	4	4
51	1519360	LPG Bracket Assembly (EZXchange).....	1	1
51	1582409	LPG Bracket Assembly (Swing Out).....	1	1

FOOTNOTES:

a For Use With Swing Out Bracket Only

FUEL SYSTEM (Figure 3-6) GM 2.4L LPG



8P0830r4

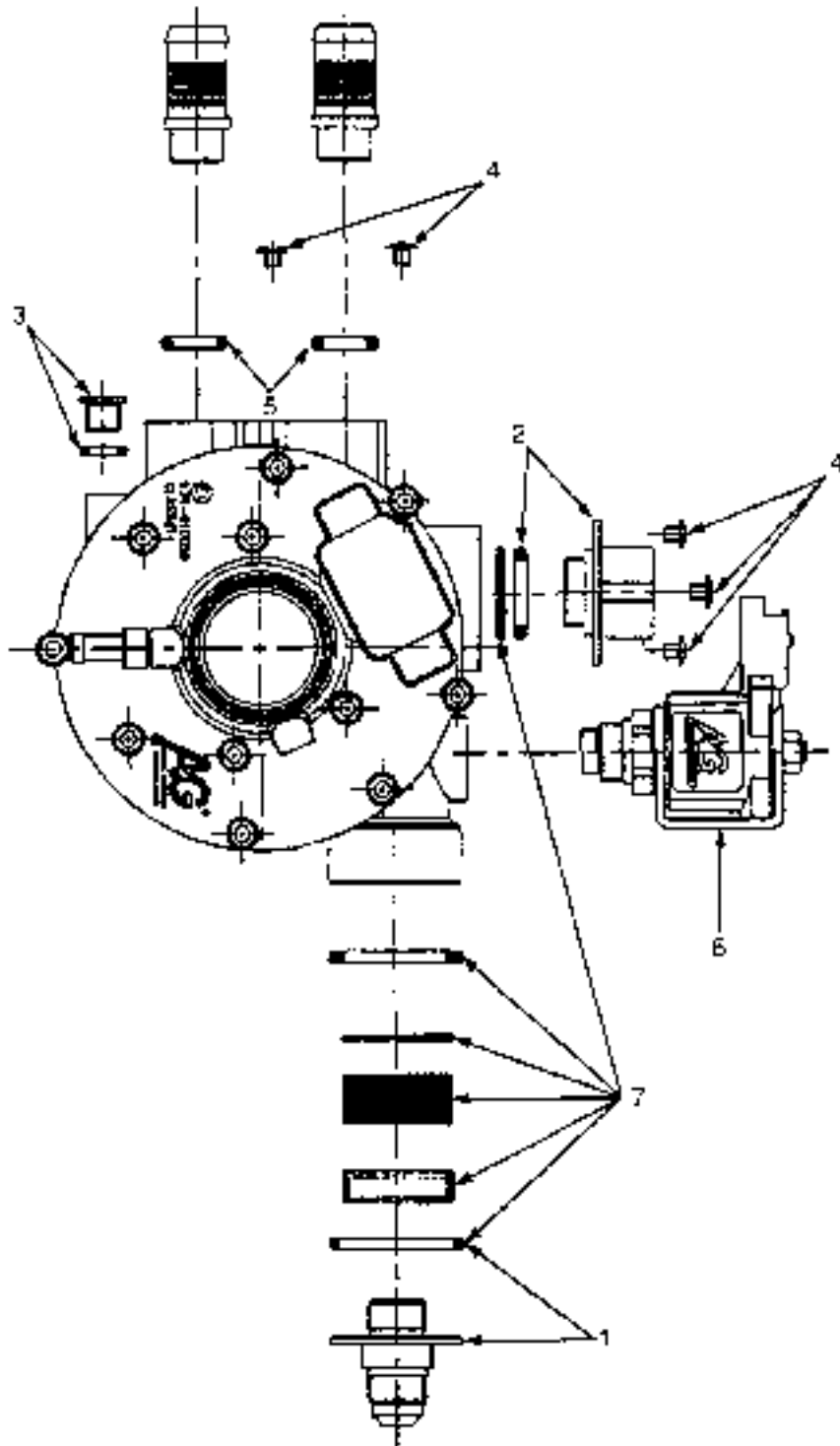
**FUEL SYSTEM
GM 2.4L
LPG**

ITEM	PART NO.	DESCRIPTION	QTY
1	2056762	Regulator (LPG) (Part Figure 3-7)	1
2	1529386	Cap screw	4
3	1530243	Insert	2
4	1527881	Cap screw	2
5	1347166	Hose	1
6	366473	Clamp	2
7	2070100	Fuel Filter (LPG)	1
7	1581302	Fuel Filter Kit	1
8	296152	Cap screw	2
9	18151	Fitting	4
10	14372	Fitting	1
11	14358	Fitting	1
12	1542436	Clamp	3
13	1542438	Clamp	3
14	1578965	Bracket	1
15	2064431	Hose	1
16	2072900	Hose	1
17	2072299	Tube	1
18	a 130845	Clamp	8
18	b 130845	Clamp	4
19	a 366000	Nipple	2
20	a 2072894	Hose	2
20	b 2072895	Hose	2
21	a 2070782	Hose	2
22	1519360	LPG Bracket Assembly (EZExchange)	1
22	1582409	LPG Bracket Assembly (Swing Out)	1
23	1586013	Cap screw	4
24	18134	Fitting	2
25	97999	Disconnect	1
26	2072298	Hose	1
27	2058426	Hose	1
28	c 1584061	Bracket	1
29	2071517	Sleeve	1

FOOTNOTES:

- a For Vehicles With Cab
- b For Vehicles With Overhead Guard
- c For Vehicles With Swing Out Bracket

LPG REGULATOR (Figure 3-7) GM 2.4L

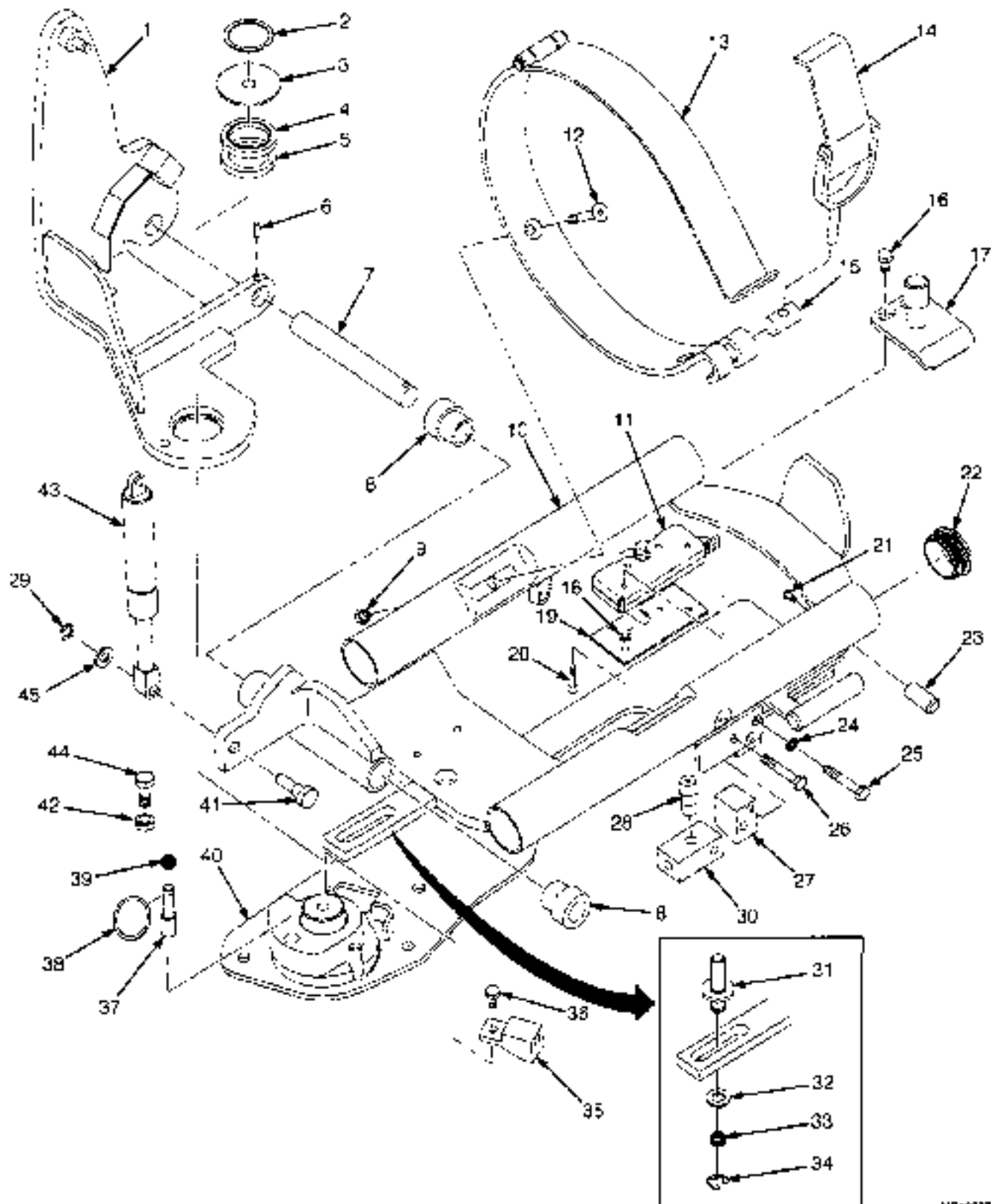


WP176162

**LPG REGULATOR
GM 2.4L**

ITEM	PART NO.	DESCRIPTION	QTY
	2056762	Regulator (LPG)	1
1	1581762	Fitting (Inlet Fitting With O-Ring)	1
2	1581763	Fitting (Outlet Fitting With O-Ring)	1
3	1581764	Drain Plug (With O-Ring)	1
4	1585751	Screw Kit (includes 5 Connector Screws)	1
5	1585748	O-Ring Kit (Includes 2 Coolant Fitting O-Rings)	1
6	1585747	Lock-Off Kit	1
7	1581761	Filter Replacement Kit	1
7	.. .	O-Ring	1
7	.. .	Plastic Cap	1
7	.. .	Foam Filter	1
7	.. .	Paper Filter	1
7	.. .	Rubber Washer	1
7	.. .	Screen	1

LPG BRACKET ASSEMBLY (Figure 3-8) EZEXCHANGE BRACKET

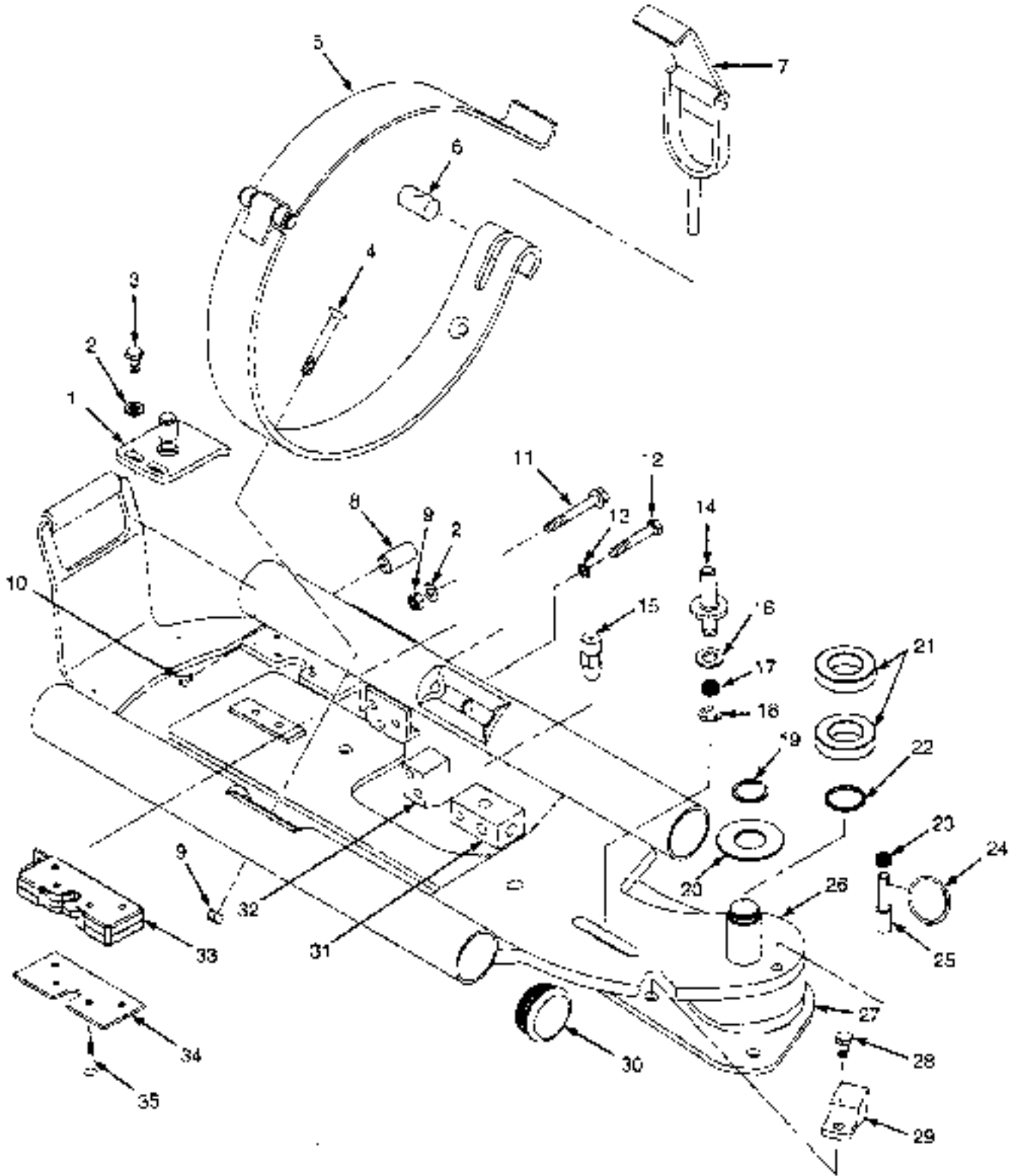


HP130371

**LPG BRACKET ASSEMBLY
EZXCCHANGE BRACKET**

ITEM	PART NO.	DESCRIPTION	QTY
	1619360	LPG Bracket Assembly.....	1
1	1517437	Pivot (Intermediate).....	1
2	34507	Snap Ring.....	1
3	1568639	Washer (Pivot).....	1
4	184451	Ball Bearing.....	2
5	1568653	Washer (Thrust).....	1
6	302363	Pin.....	1
7	1581887	Shaft.....	1
8	1581888	Bushing.....	2
9	1581739	Nut.....	4
10	1517438	Support.....	1
11	1517405	Latch.....	1
12	1581733	Capscrew.....	2
13	1525441	Strap.....	1
14	1586458	Latch.....	1
14	1583573	Fork.....	1
14	147286	Lever.....	1
14	198298	Pin.....	1
14	1581744	Capscrew.....	1
14	1581773	Nut.....	1
15	147284	Nut (Adjustment).....	1
16	1581885	Capscrew.....	2
17	1534849	Pin Weldment.....	1
18	1581556	Washer.....	4
19	1534674	Plate.....	1
20	1581899	Capscrew.....	4
21	1581740	Capscrew.....	1
22	1398099	Plug.....	4
23	1534677	Pin.....	1
24	1581898	Washer.....	1
25	1586835	Capscrew.....	2
26	1581583	Capscrew.....	1
27	1534679	Block (Anti-Rattle).....	1
28	101809	Relief Valve.....	1
29	1525442	Retaining Ring.....	2
30	1534675	Fitting (Bulkhead).....	1
31	1525459	Pin (Alignment).....	1
32	1581559	Washer.....	1
33	1528899	Compression Spring.....	1
34	182118	Retaining Ring.....	1
35	1525451	Fitting (Bulkhead).....	1
36	1581579	Capscrew.....	1
37	1534671	Pin.....	1
38	1534672	Ring.....	1
39	1528903	Compression Spring.....	1
40	1569844	Base.....	1
41	1525478	Pin.....	1
42	1581848	Nut.....	1
43	1402414	Gas Spring.....	1
44	1586022	Capscrew.....	1
45	1581557	Washer.....	2

LPG BRACKET ASSEMBLY (Figure 3-9) SWING OUT BRACKET

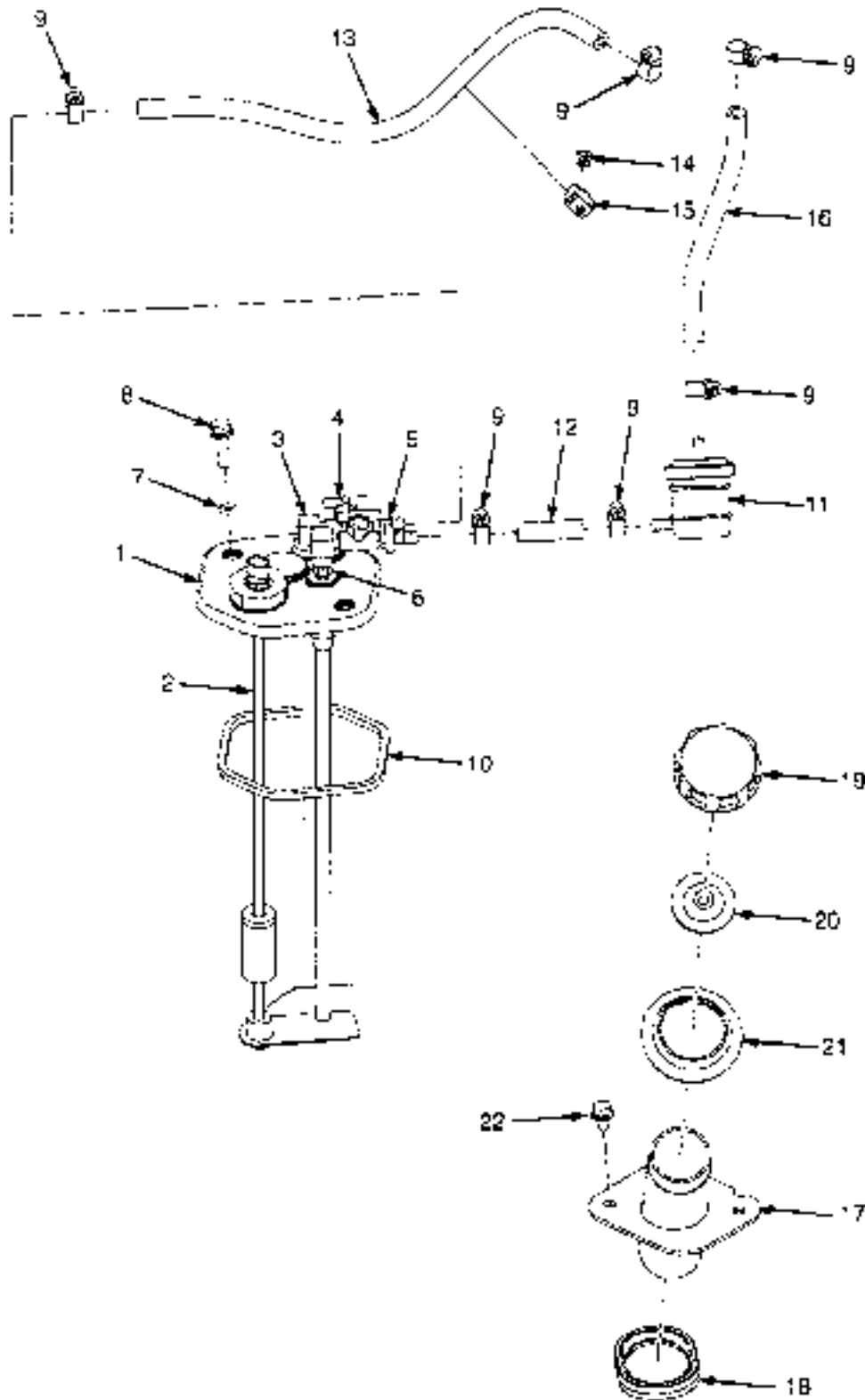


MP13034

**LPG BRACKET ASSEMBLY
SWING OUT BRACKET**

ITEM	PART NO.	DESCRIPTION	QTY
	1552409	LPG Bracket Assembly	1
1	1534649	Pin Weldment	1
2	1581556	Washer	2
3	1561885	Cap screw	2
4	1561733	Cap screw	2
5	1525441	Strap	1
6	147294	Nut (Adjusting)	1
7	1588458	Latch	1
7	1383573	Fork	1
7	147298	Lever	1
7	186298	Pin	1
7	1581744	Cap screw	1
7	1581773	Nut	1
8	1534677	Pin	1
8	1581739	Nut	4
10	1581740	Cap screw	1
11	1585835	Cap screw	2
12	1581583	Cap screw	1
13	1581898	Washer	1
14	1525459	Pin (Alignment)	1
15	101809	Relief Valve	1
16	1581559	Washer	1
17	1528899	Compression Spring	1
18	182118	Retaining Ring	1
19	34507	Snap Ring	1
20	1588839	Washer (Pivot)	1
21	184451	Ball Bearing	2
22	1588853	Washer	1
23	1528903	Compression Spring	1
24	1534672	Ring	1
25	1534671	Pin	1
26	1582410	Support (Tank)	1
27	1588844	Base	1
28	1581579	Cap screw	1
29	1525451	Fitting (Bulkhead)	1
30	1388099	Plug	4
31	1534675	Fitting (Bulkhead)	1
32	1534679	Block (Anti-Rattle)	1
33	1517405	Latch	1
34	1534674	Plate	1
35	1581899	Cap screw	4

FUEL SYSTEM (Figure 3-10) YANMAR 2.6L AND 3.3L DIESEL

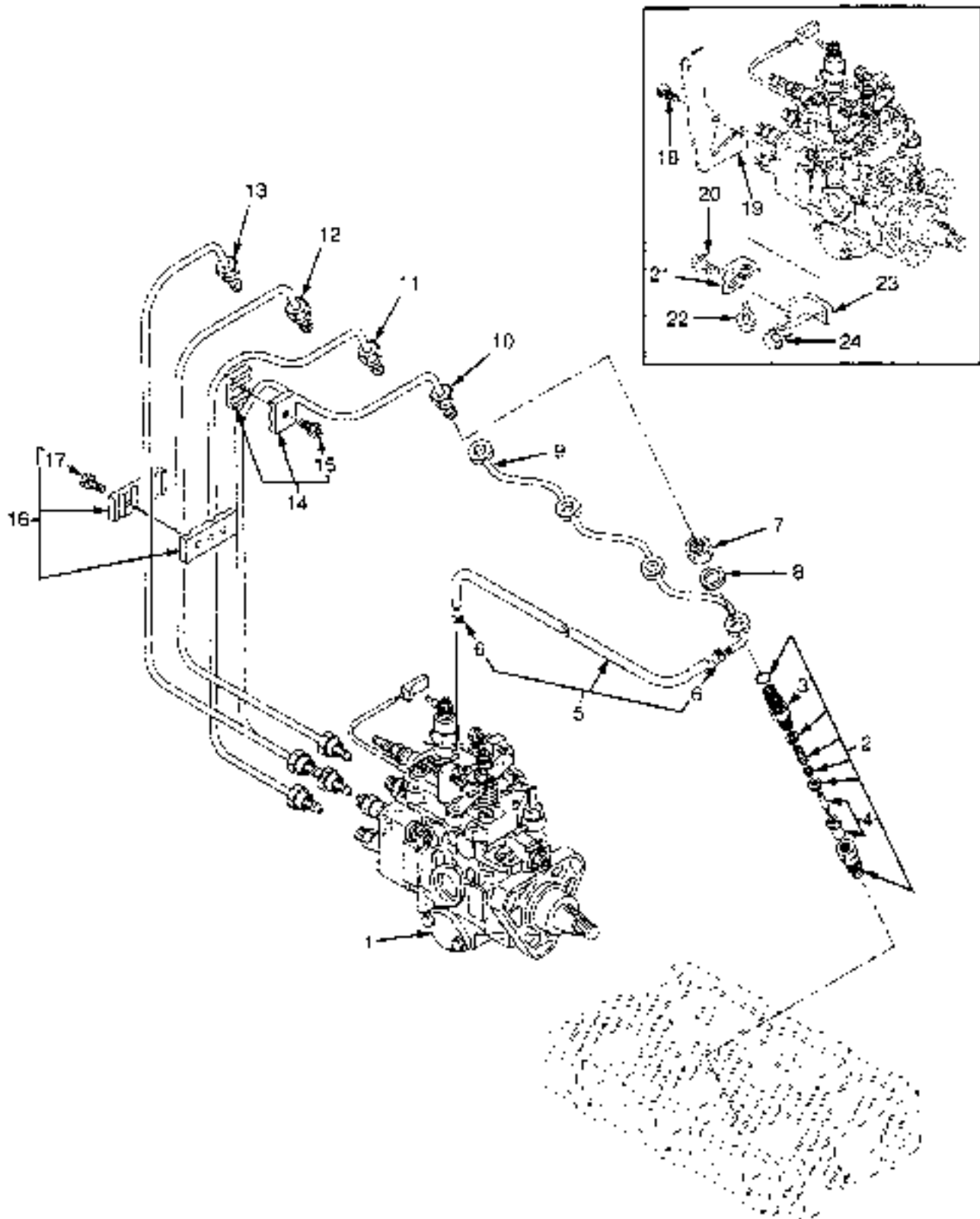


HP130291

**FUEL SYSTEM
YANMAR 2.6L AND 3.3L
DIESEL**

ITEM	PART NO.	DESCRIPTION	QTY
1	1532532	Fuel Pump Assembly	1
2	1501811	Fuel Sender	1
3	1785C	Fitting	1
4	87448	Valve (Shut-Off)	2
5	309661	Fitting	2
6	18151	Fitting	1
7	353000	O-Ring	2
8	1527881	Capscrew	2
9	188718	Clamp	8
10	1528893	Quadrant Ring	1
11	1588457	Fuel Filter	1
12	2062587	Hose	1
13	280878	Hose	1
14	1542440	Clamp (Swivel)	1
15	1543681	Clamp (Swivel)	1
16	2075380	Hose	1
17	1564392	Pipe (Fil)	1
18	1528314	Seal	1
19	2069463	Fuel Cap	1
20	2021883	Gasket	1
21	15285C8	Grommet	1
22	1529366	Capscrew	2

FUEL INJECTION SYSTEM (Figure 3-11) YANMAR 2.6L AND 3.3L DIESEL

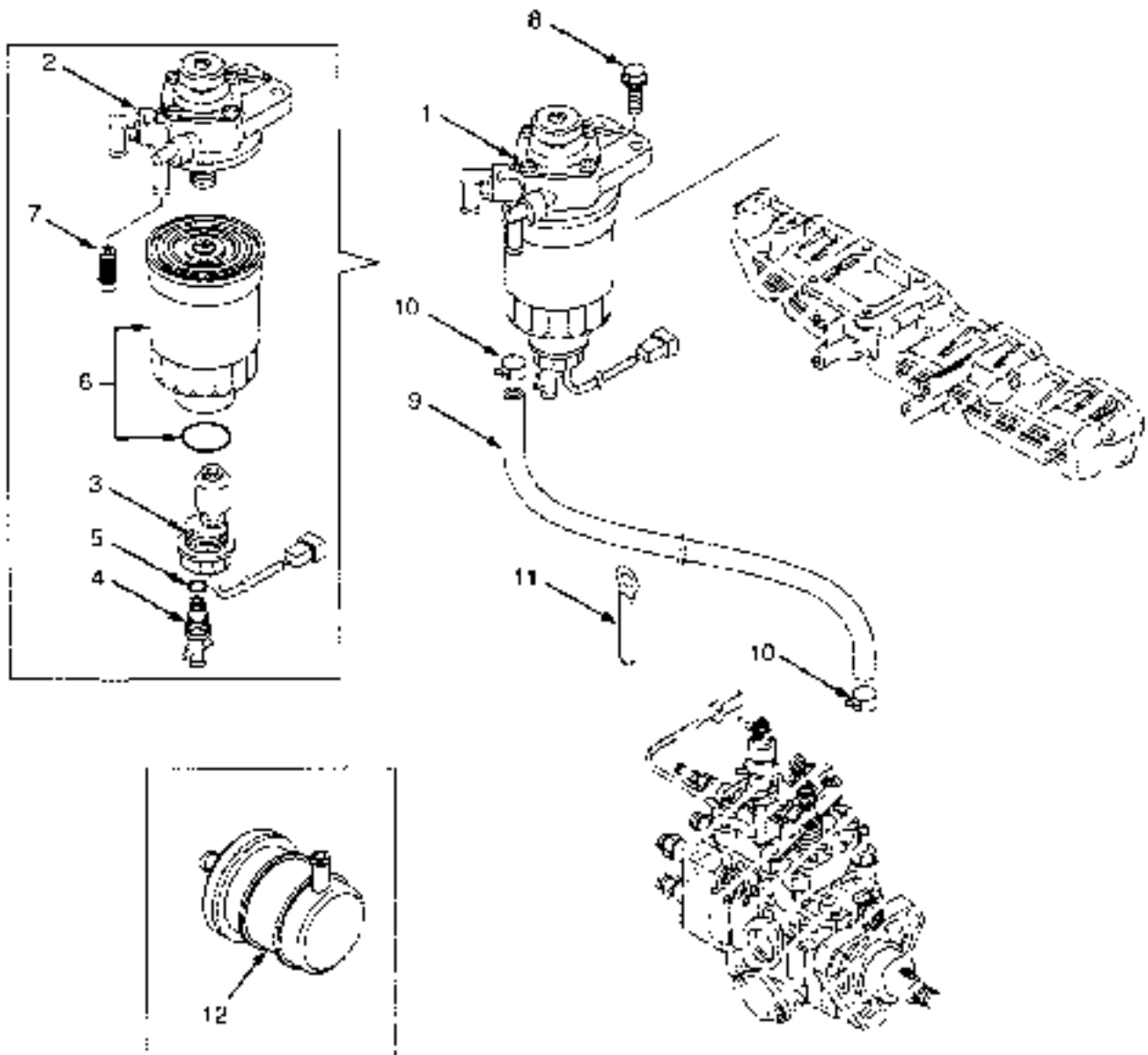


8902C195

FUEL INJECTION SYSTEM YANMAR 2.6L AND 3.3L DIESEL

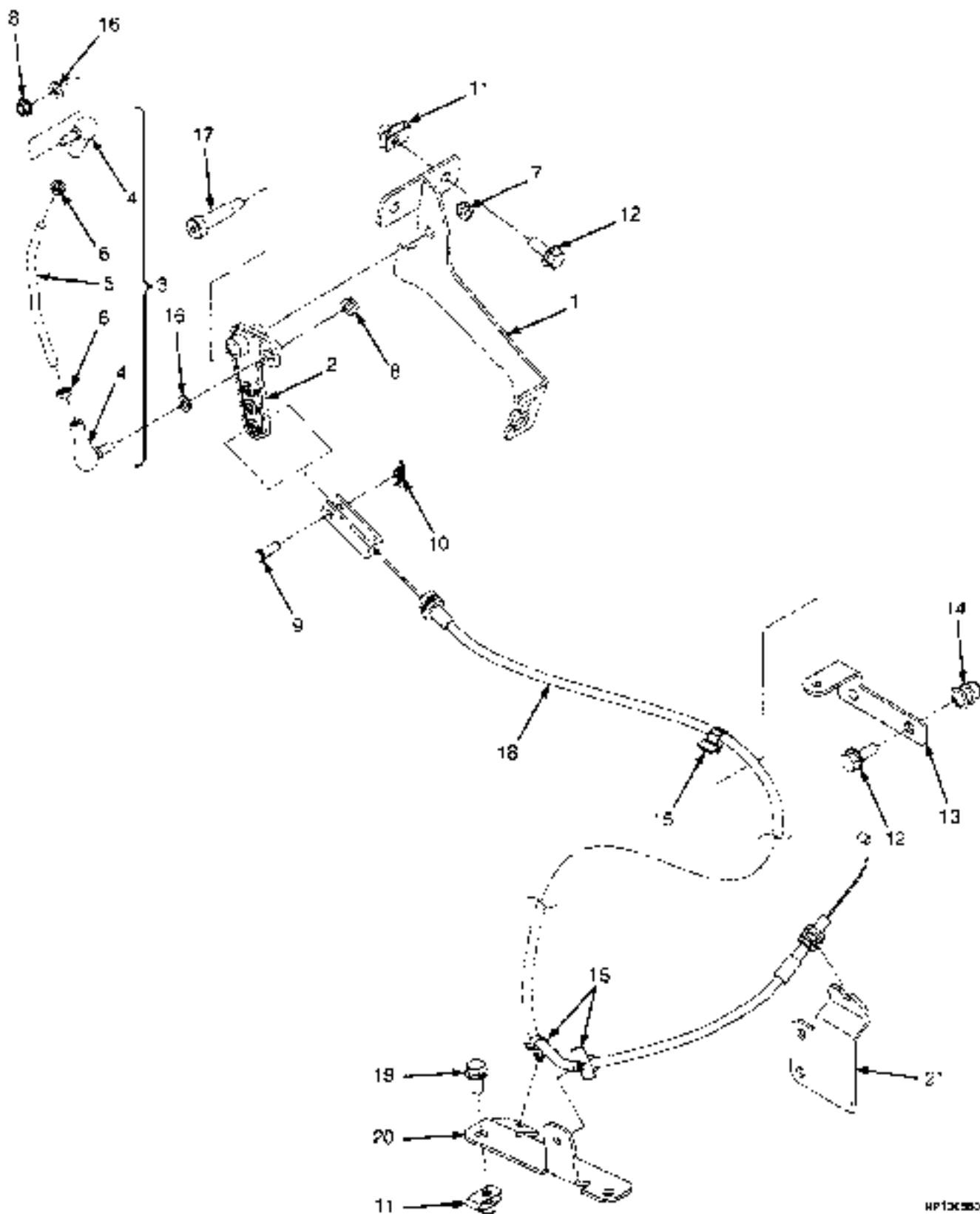
ITEM	PART NO.	DESCRIPTION	QTY
	1501687	Engine Assembly (2.6L)	1
	1501690	Engine Assembly (3.3L)	1
1	1599901	Fuel Injection Pump (2.6L)	1
1	1800084	Fuel Injection Pump (3.3L)	1
1	1808616	Solenoid (Fuel Shut-Off) (3.3L)	1
1	1808617	O-Ring	1
1	1597644	Solenoid Valve (Cold Start)	1
1	1800093	O-Ring	1
2	1599818	Fuel Injector Assembly	4
3	1599820	Retainer	1
4	1599819	Nozzle	1
5	1599828	Pipe	1
6	1599829	Clamp	2
7	1599832	Nut	4
8	1599831	Gasket	4
9	1599830	Pipe (Fuel Return)	1
10	1599827	Pipe (#4)	1
11	1599826	Pipe (#3)	1
12	1599825	Pipe (#2)	1
13	1599824	Pipe (#1)	1
14	1599821	Retainer	2
15	1599822	Bolt	1
16	1599823	Retainer	1
17	1599822	Bolt	2
18	1599808	Bolt	2
19	1599807	Bracket	1
20	1599812	Bolt	1
21	1599809	Retainer	1
22	1599811	Bolt	1
23	1599810	Bracket	1
24	1599813	Bolt	1
	1599898	Gasket Set (Includes Item 8)	1
	1800085	Gasket Set (Includes Item 8)	1

FUEL FILTER AND WATER SEPARATOR (Figure 3-12) YANMAR 2.6L AND 3.3L DIESEL



BP0601 en

THROTTLE CABLE ASSEMBLY (Figure 3-13) MAZDA 2.0L AND 2.2L LPG

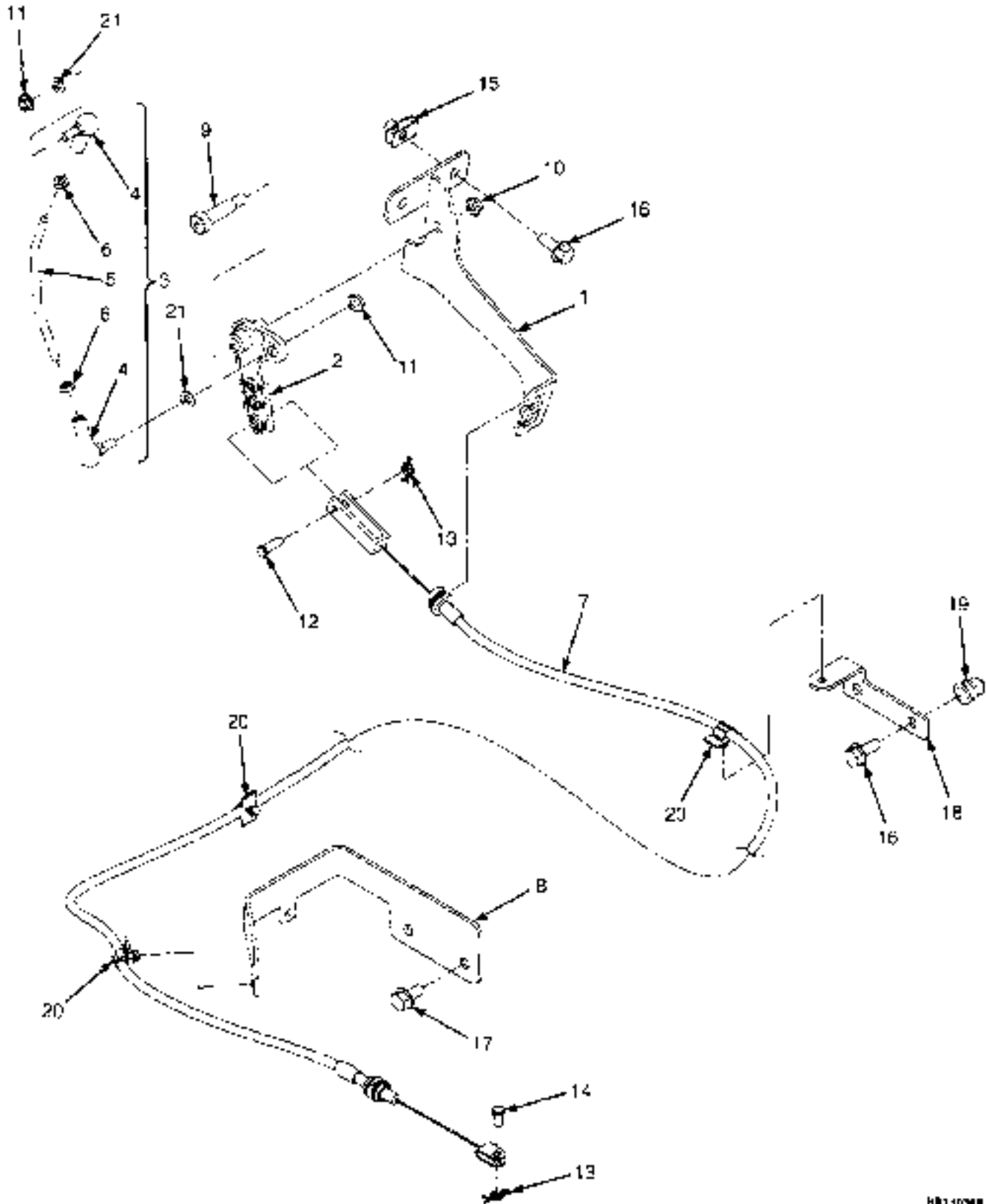


HP13K350

**THROTTLE CABLE ASSEMBLY
MAZDA 2.0L AND 2.2L
LPG**

ITEM	PART NO	DESCRIPTION	QTY
1	1609374	Bracket (Throttle Cable)	1
2	1538162	Bracket	1
3	1538782	Push Rod Assembly	1
4	2027949	Joint: Ball	2
5	1538490	Pushrod	1
6	2308541	Jam Nut	2
7	302400	Locknut	1
8	1514429	Nut (Flange)	2
9	126	Ret End Pin	1
10	1517361	Cotter Pin	1
11	1480237	Clip Nut	4
12	1527880	Capscrew	4
13	1542082	Bracket	1
14	1530243	Insert	2
15	1562088	Clip	3
16	320156	Washer	2
17	1399802	Bolt	1
18	2067395	Cable	1
19	1527879	Capscrew	2
20	1542555	Bracket	1
21	1535136	Bracket (Throttle Cable)	1

THROTTLE CABLE ASSEMBLY (Figure 3-14) YANMAR 2.6L AND 3.3L DIESEL

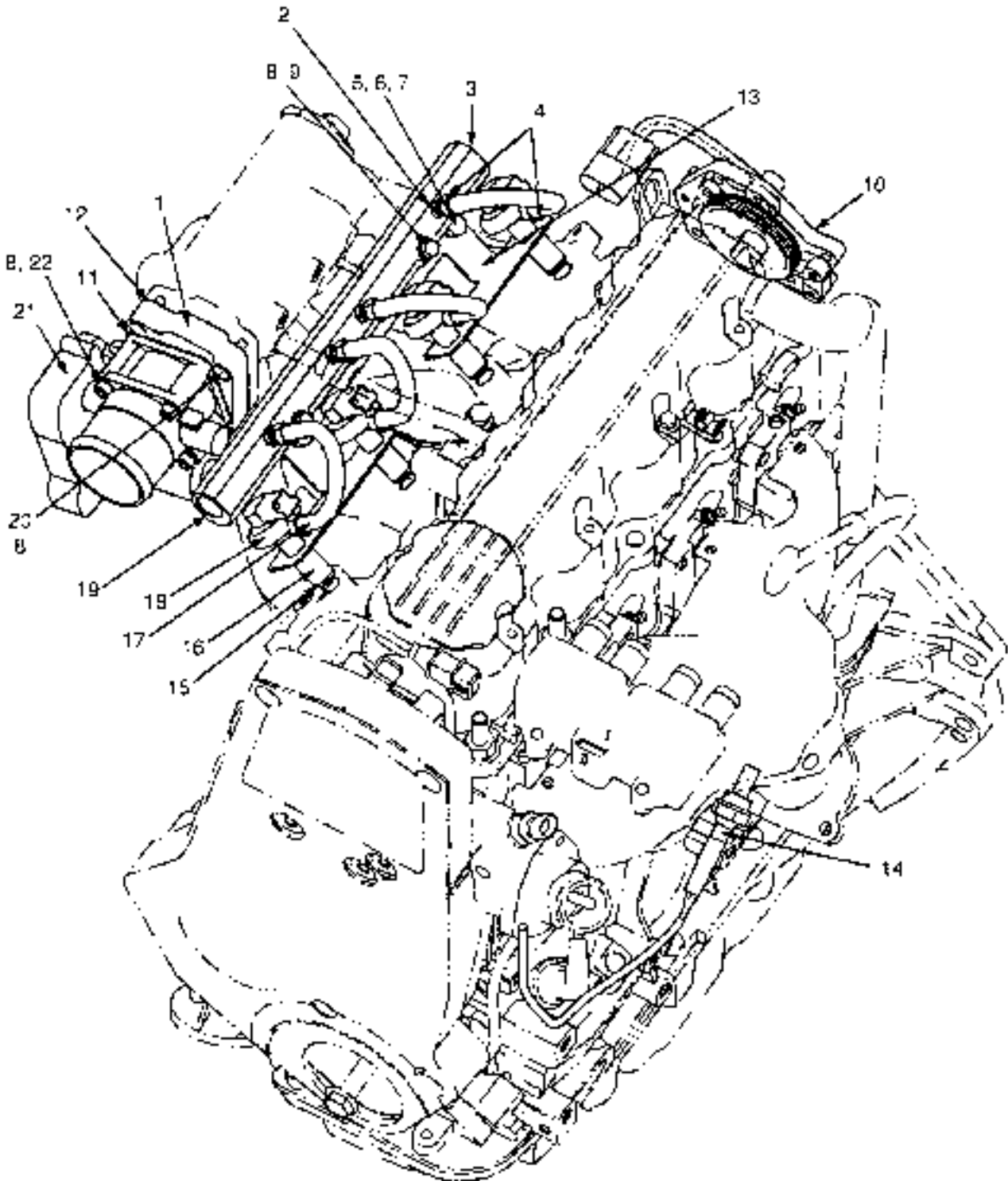


HP110089

**THROTTLE CABLE ASSEMBLY
YANMAR 2.6L AND 3.3L
DIESEL**

ITEM	PART NO.	DESCRIPTION	QTY
1	1539298	Bracket (Throttle Cable).....	1
2	1538162	Bellcrank.....	1
3	1538782	Push Rod Assembly.....	1
4	2027949	Joint Ball.....	2
5	1538450	Pushrod.....	1
6	2308541	Jam Nut.....	2
7	2067396	Throttle Cable.....	1
8	1542500	Bracket.....	1
9	1399802	Bolt.....	1
10	302400	Locknut.....	1
11	1514429	Nut (Flange).....	2
12	126	Rod End Pin.....	1
13	1517361	Cotter Pin.....	2
14	128263	Pin.....	1
15	1480237	Clip Nut.....	2
16	1527880	Capscrew.....	4
17	1527879	Capscrew.....	2
18	1542082	Bracket.....	1
19	1530243	Insert.....	2
20	1562088	Clip.....	3
21	320156	Washer.....	2

THROTTLE BODY AND ATTACHING PARTS (Figure 3-15) GM 2.4L LPG

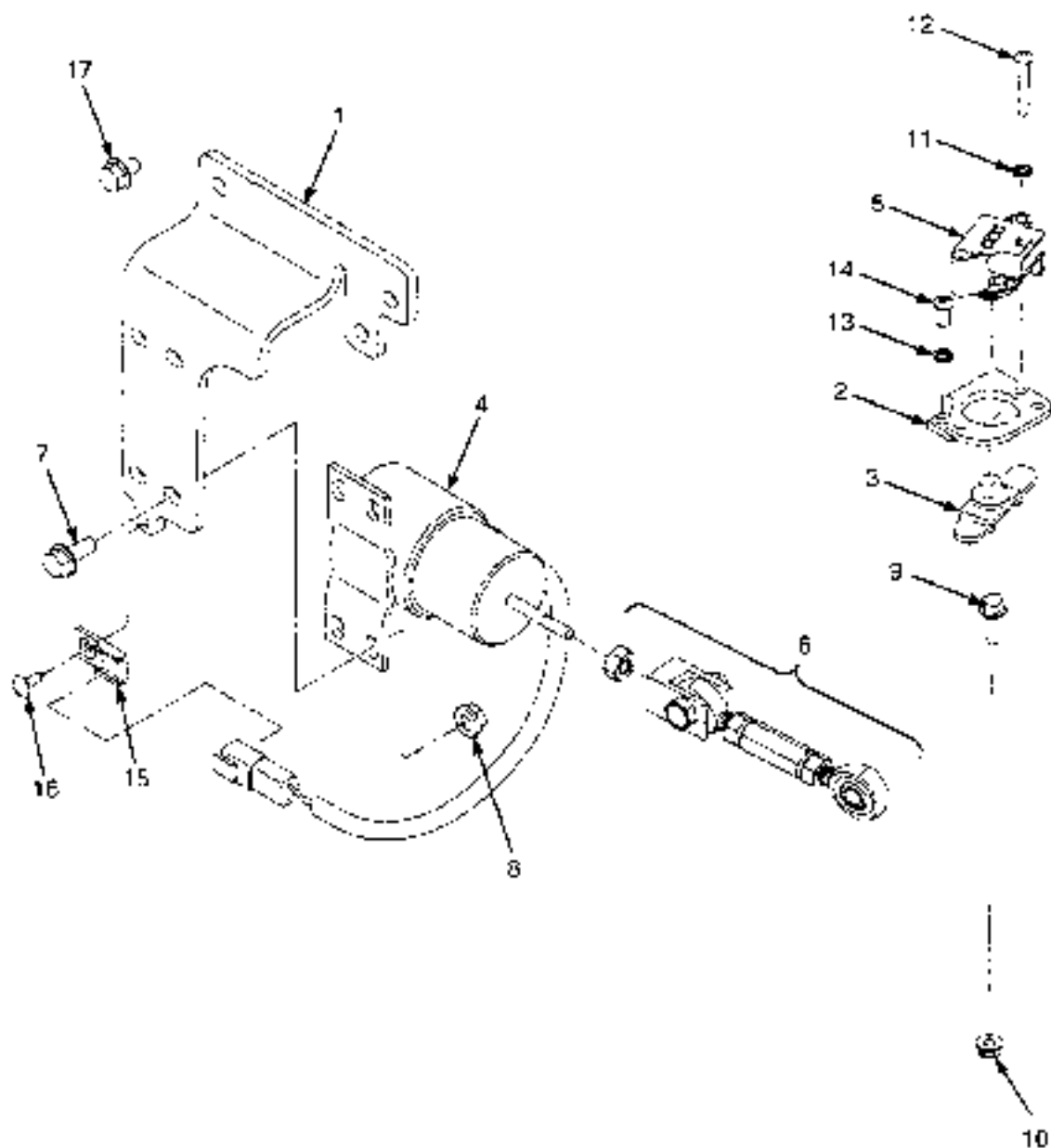


HF150476

THROTTLE BODY AND ATTACHING PARTS
GM 2.4L
LPG

ITEM	PART NO.	DESCRIPTION	QTY
1	1557553	Plate (Throttle Adapter)	1
2	Fitting	4
3	Plug	1
4	1557556	Clamp	8
5	1557552	Lockwasher	2
6	1557559	Capscrew	2
7	1557551	Spacer	2
8	1557550	Lockwasher	10
9	1557554	Capscrew	2
10	1581796	Cam Sensor Kit	1
10	1564589	Screw	1
10	1564588	O-Ring	1
10	1564587	Sensor (Camshaft Position)	1
10	1557550	Lockwasher	1
11	1557551	Gasket (Throttle Body)	1
12	1557552	Gasket (Throttle Plate)	1
13	1557584	Bracket	1
14	1557546	Sensor (Oxygen)	1
15	1557585	O-Ring	4
16	1557583	Adapter (Injector)	4
17	1557562	Hose (LPG Vapor)	4
18	1557580	Injector (LPG)	4
19	1581795	Fuel Rail (LPG)	1
20	1557549	Capscrew	4
21	1557547	Throttle Body	1
22	1557548	Capscrew	4

THROTTLE POSITION SENSOR AND ATTACHING PARTS (Figure 3-16) YANMAR 2.6L AND 3.3L DIESEL

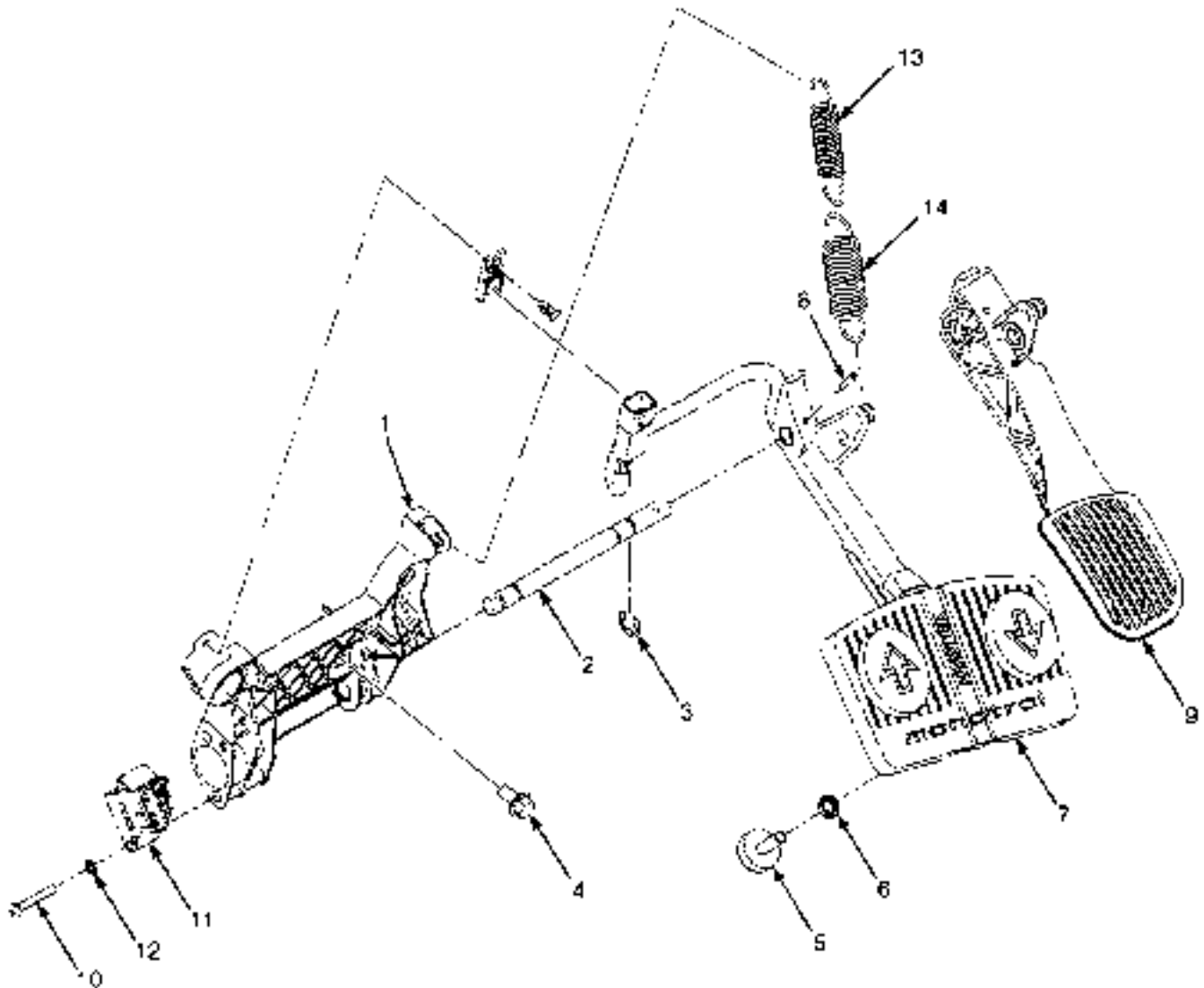


HP13058B

**THROTTLE POSITION SENSOR AND ATTACHING PARTS
YANMAR 2.6L AND 3.3L
DIESEL**

ITEM	PART NO.	DESCRIPTION	QTY
1	1547550	Bracket (Actuator).....	1
2	1586012	Bracket.....	1
3	2078335	Rotor.....	1
4	1542772	Actuator (Pull).....	1
5	2063842	Throttle Position Sensor.....	1
6	1542773	Electronic Throttle Linkage Assembly.....	1
7	1527680	Capscrew.....	7
8	1502543	Nut (Flange).....	4
9	1527877	Capscrew.....	1
10	313805	Nut.....	1
11	296379	Washer.....	2
12	1553897	Capscrew.....	2
13	293779	Lockwasher.....	2
14	296158	Capscrew.....	2
15	1500912	Clip.....	1
16	1344124	Fastener.....	1
17	1529366	Capscrew.....	2

THROTTLE PEDAL AND ATTACHING PARTS (Figure 3-17) MAZDA 2.0L AND 2.2L/GM 2.4L LPG



HP130884

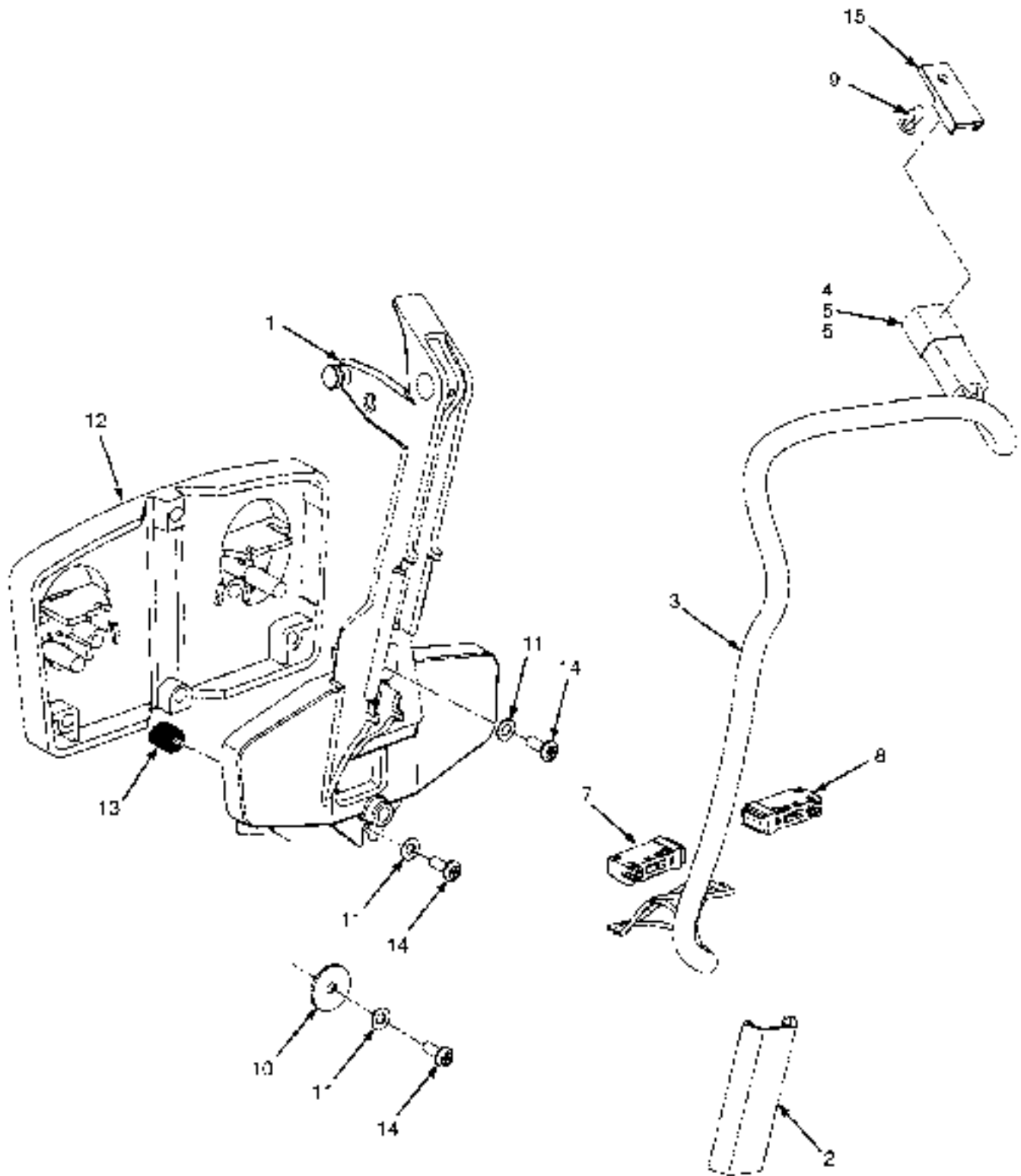
**THROTTLE PEDAL AND ATTACHING PARTS
MAZDA 2.0L AND 2.2L/GM 2.4L
LPG**

ITEM	PART NO.	DESCRIPTION	QTY
1	1538486	Base (Throttle).....	1
2	1556962	Shaft.....	1
3	1530971	Retaining Ring.....	1
4	1527879	Capscrew.....	3
5	1530311	Screw (Stop).....	1
6	329069	Nut.....	1
7	1557269	Monotrol Pedal Assembly (42 Figure 3-1 B).....	1
8	b 302437	Cotter Pin.....	1
8	c 302443	Pin.....	1
9	2071181	Pedal (Standard).....	1
10	1564752	Screw.....	2
11	2063842	Throttle Position Sensor.....	1
12	296378	Washer.....	2
13	1582301	Spring (Inner).....	1
13	a 1582303	Spring (Inner).....	1
14	1582300	Spring (Outer).....	1
14	a 1582302	Spring (Outer).....	1

FOOTNOTES:

- a** For Use With Mazda Engines Only
- b** For Use With Monotrol Pedal Only
- c** For Use With Standard Pedal Only

MONOTROL PEDAL ASSEMBLY (Figure 3-18)



HP130085

MONOTROL PEDAL ASSEMBLY

ITEM	PART NO.	DESCRIPTION	QTY
	1567259	Monotrol Pedal Assembly	1
1	1566829	Bracket (Pedal)	1
2	1539418	Clip	1
3	2072782	Wire Harness	1
4	1330416	Secondary Lock	1
5	1489655	Connector	1
6	1531312	Terminal	4
7	..	Switch	1
8	..	Switch	1
9	1564526	Clip	1
10	362036	Washer	2
11	15931	Lockwasher	4
12	1340470	Pin	1
13	325699	Spring	2
14	16708	Screw	4
15	1500912	Clip	1

4

ELECTRICAL SYSTEM

**SECTION 4
ELECTRICAL SYSTEM**

DESCRIPTION	PAGE
ALTERNATOR AND MOUNTING	
YANMAR 2.6L AND 3.3L	
DIESEL	4-8
BATTERY CABLES	
GM 2.4L	
LPG	4-10
COWL ELECTRICAL	4-16
DISTRIBUTOR	
MAZDA 2.0L AND 2.2L	
LPG	4-8
ELECTRICAL SYSTEM	
RH CHASSIS	4-2
ENGINE ELECTRICAL COMPONENTS	
MAZDA 2.0L AND 2.2L	
LPG	4-4
ENGINE ELECTRICAL SYSTEM	
MAZDA 2.0L AND 2.2L	
LPG	4-6
YANMAR 2.6L AND 3.3L, DIESEL	
WITH OVERHEAD GUARD	4-12
INSTRUMENT CLUSTER	4-19
JOYSTICK AND ELECTRONIC CONTROL LEVERS	4-20
LIGHTS	
BRAKE, TAIL, BACKUP, SIDE TURN SIGNALS, WORK, STROBE	
WITH CAB	4-26
WITH OVERHEAD GUARD	4-24
MAST ELECTRICAL	4-30
POWER DISTRIBUTION MODULE	4-18
TRANSMISSION ELECTRICAL SYSTEM	4-28
WIRE HARNESS	
RH CHASSIS	
GM 2.4L, LPG	4-36
WIRE HARNESS	
COWL	4-50
ELECTRONIC CONTROL VALVE	
FOUR FUNCTION	4-55
THREE FUNCTION	4-54
ENGINE	
GM 2.4L, LPG	4-46
MAZDA 2.0L AND 2.2L, LPG	4-44
YANMAR 2.6L AND 3.3L, DIESEL	4-48
LIGHTS	4-55
RH CHASSIS	
MAZDA 2.0L AND 2.2L, LPG	4-32
YANMAR 2.6L AND 3.3L, DIESEL	4-40
TRANSMISSION	
DUAL SPEED	4-60
SINGLE SPEED	4-62

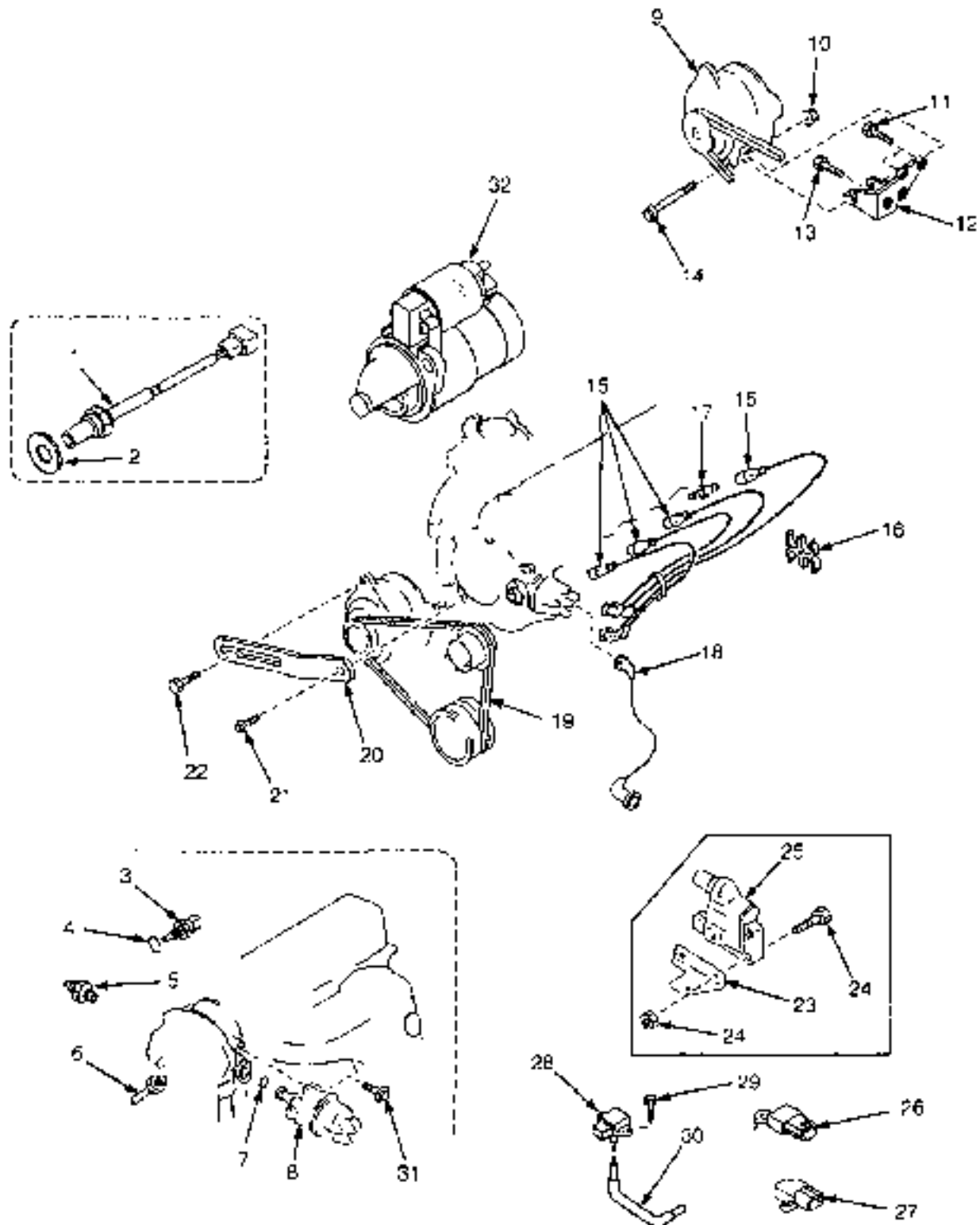
**ELECTRICAL SYSTEM
RH CHASSIS**

ITEM	PART NO.	DESCRIPTION	QTY
1	20E3093	Power Distribution Module (See Figure 4-9)	1
2	15E2464	Fastener	8
3	15E2442	Clip	1
4	15E8027	Bracket	1
5	1529366	Capscrew	1
6	15E4944	Battery Tray	1
7	14E2883	Fuse Puffer	1
8	1534417	Capscrew	4
9	15E9928	Seal	1
10	15E2543	Nut (Flange)	1
11	15E0912	Clip	6
12	a 15E3909	Connector	1
13	1527264	Horn	1
14	1527879	Capscrew	4
15	14E0237	Clip Nut	4
16	2E75581	Wire Harness (RH Chassis) (Mazda 2.0L and 2.2L) (See Figure 4-16)	1
16	2E75560	Wire Harness (RH Chassis) (GM 2.4L) (See Figure 4-17)	1
16	2E75562	Wire Harness (RH Chassis) (Yanmar 2.6L and 3.3L Diesel) (See Figure 4-18)	1
17	15E5529	Link (Battery Hold Down)	1
18	13E3331	Battery (Wet)	1
19	2E65745	Link (Battery Hold Down)	1
20	15E2543	Nut (Flange)	1
21	1540805	Cap	1
22	15E2337	Bracket	1
23	2E74320	Wire Harness (Remote Keyswitch)	1
24	14E3465	Connector	1
25	1330414	Secondary Lock	2
26	1330437	Terminal (P.n)	2
27	14E7433	Terminal Ring	2
28	19E383	Boot	2
29	254007	Ignition Switch	1
30	262798	Ignition Key	1

FOOTNOTES:

a For Use With GM And Mazda Engines Only

ENGINE ELECTRICAL COMPONENTS (Figure 4-2) MAZDA 2.0L AND 2.2L LPG

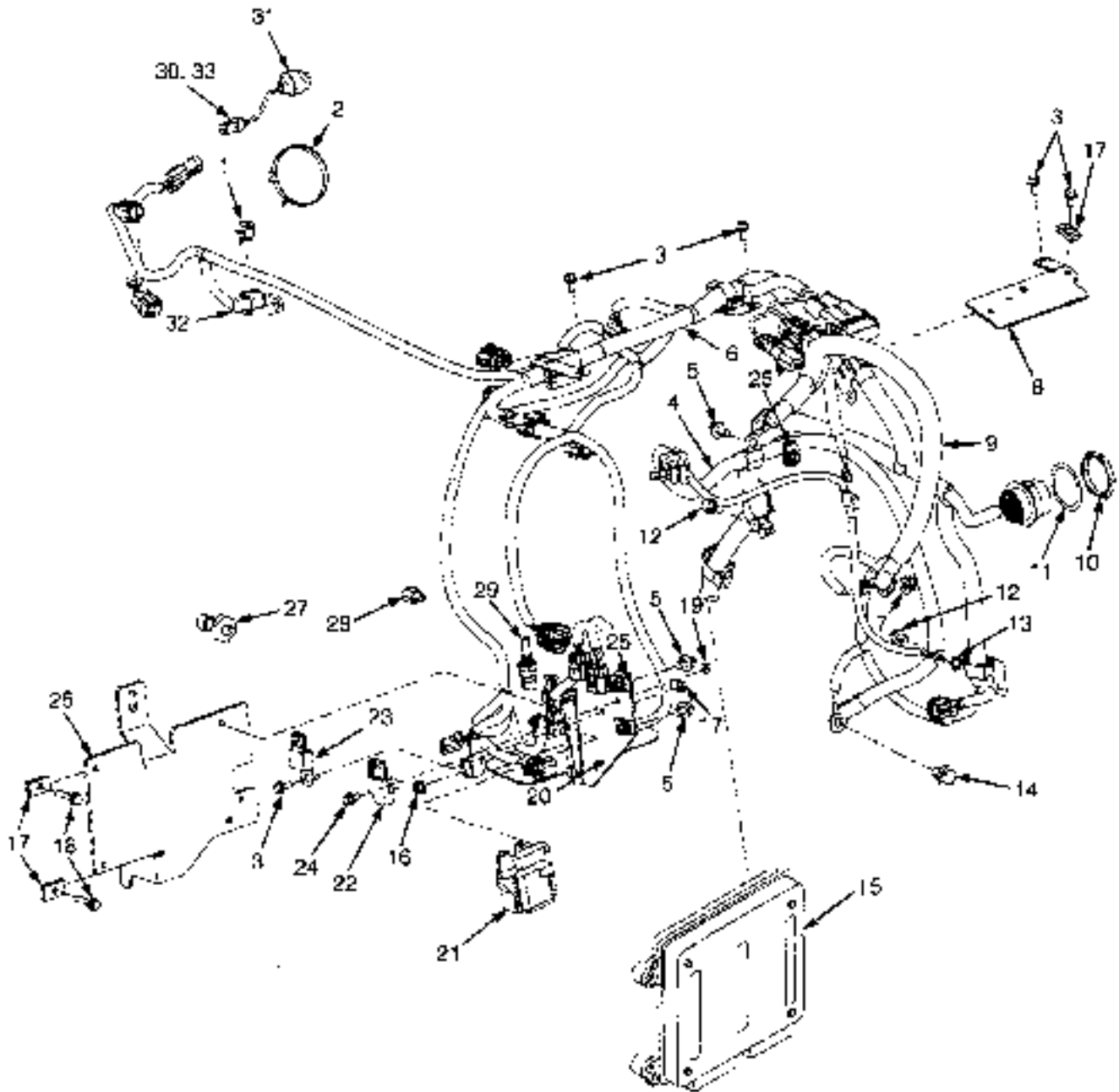


HP00120

ENGINE ELECTRICAL COMPONENTS MAZDA 2.0L AND 2.2L LPG

ITEM	PART NO.	DESCRIPTION	QTY
1	1556342	Sensor (Oxygen)	1
2	1368866	Washer	1
3	1538962	Sensor (Air Temperature)	1
4	1368743	Washer	1
5	2026608	Oil Pressure Switch	1
6	1361867	Temperature Sender	1
7	1553986	O-Ring	1
8	1554030	Distributor (see Figure 4-4)	1
9	1450828	Alternator	1
10	1361890	Nut	1
11	1361891	Bolt	3
12	1361846	Bracket	1
13	1361868	Bolt	1
14	1368844	Bolt	1
15	1362113	Ignition Cable Set	1
15	1361840	Cable (Spark Plug)	1
15	1361841	Cable (Spark Plug)	1
15	1361842	Cable (Spark Plug)	1
15	1361843	Cable (Spark Plug)	1
16	1361838	Support	1
17	1361837	Spark Plug	4
18	1553984	Coil Wire	1
19	1495412	V-Belt	1
20	1361845	Strap	1
21	1361881	Bolt	1
22	326898	Bolt	1
23	1553996	Bracket	1
24	1553997	Screw Set	1
25	1527571	Ignition Coil	1
26	1545443	Condenser	1
27	1545444	Igniter	1
28	1548352	Sensor b	1
29	1582324	Screw	2
30	1495413	Hose	1
31	1361895	Bolt	1
32	1534424	Starter	1

ENGINE ELECTRICAL SYSTEM (Figure 4-3) MAZDA 2.0L AND 2.2L LPG

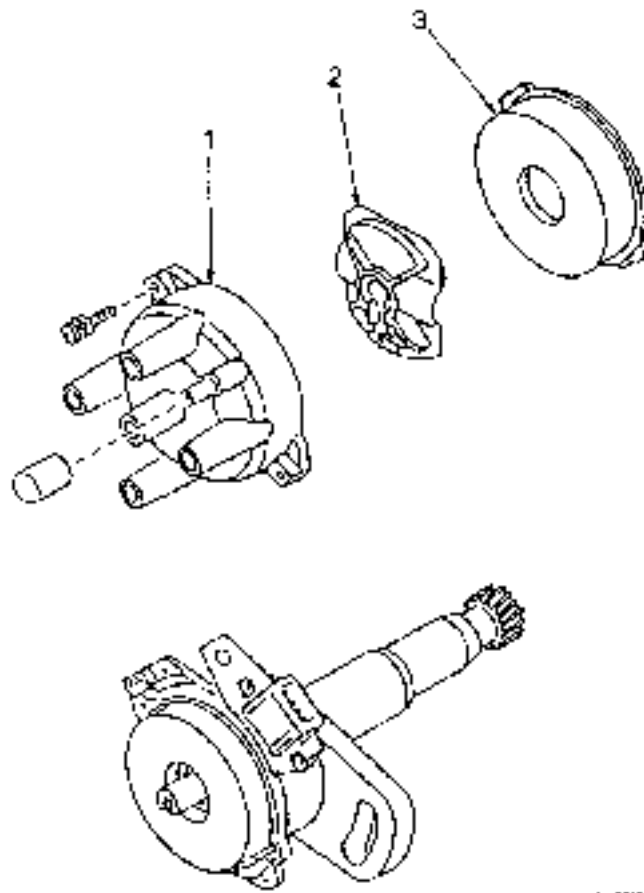


HPM1817

**ENGINE ELECTRICAL SYSTEM
MAZDA 2.0L AND 2.2L
LPG**

ITEM	PART NO.	DESCRIPTION	QTY
1	1542439	Clamp	1
2	1502061	Clamp	1
3	1534417	Capscrew	9
4	2069225	Battery Cable (Negative)	1
4	148789	Terminal	1
4	1564044	Fitting	1
4	126408	Clamp	1
4	806426	Fitting	1
5	1527879	Capscrew	4
6	2065855	Wire Harness (LPG Engine)	1
7	1502543	Nut (Flange)	1
8	1560121	Bracket	1
9	2061383	Battery Cable (Positive)	1
9	148792	Terminal	1
9	16079	Terminal	1
9	806426	Fitting	1
9	1536304	Boot	1
9	1560091	Boot	1
10	1539085	Nut	1
11	1539086	Lockwasher	1
12	1529366	Capscrew	2
13	296380	Lockwasher	1
14	1556623	Bolt	1
15	2065857	Engine Control Uni; (2.0L)	1
15	2070685	Engine Control Uni (2.2L)	1
16	1514429	Nut (Flange)	1
17	325182	Nut	9
18	1586495	Capscrew	4
19	1549399	Nut	2
20	1556838	Plate	1
21	1527571	Ignition Coil	1
22	1545444	Igniter	1
23	1545443	Condenser	1
24	296150	Capscrew	2
25	1480237	Clip Nut	4
26	1581526	Formed Bracket	1
27	1537692	Sensor (Oil Pressure)	1
28	367224	Adapter	1
29	1515654	Sensor (Coolant Temperature)	1
30	141259	Fitting	1
31	1529257	Sensor (Air Flow Restrictor)	1
32	1501970	Switch (Low Pressure)	1
33	14349	Fitting	1

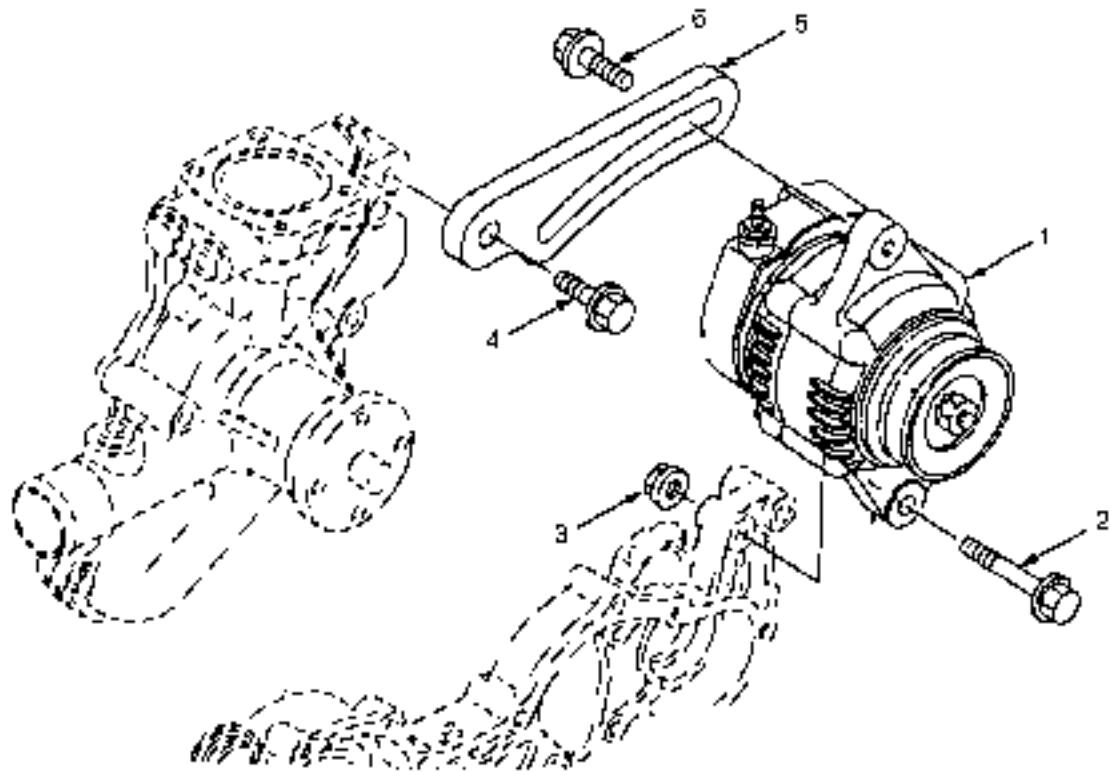
DISTRIBUTOR (Figure 4-4) MAZDA 2.0L AND 2.2L LPG



7-18001P

ITEM	PART NO.	DESCRIPTION	QTY
	1554030	Distributor	1
1	1554033	Cap	1
2	1554034	Rotor	1
3	1554032	Cover	1

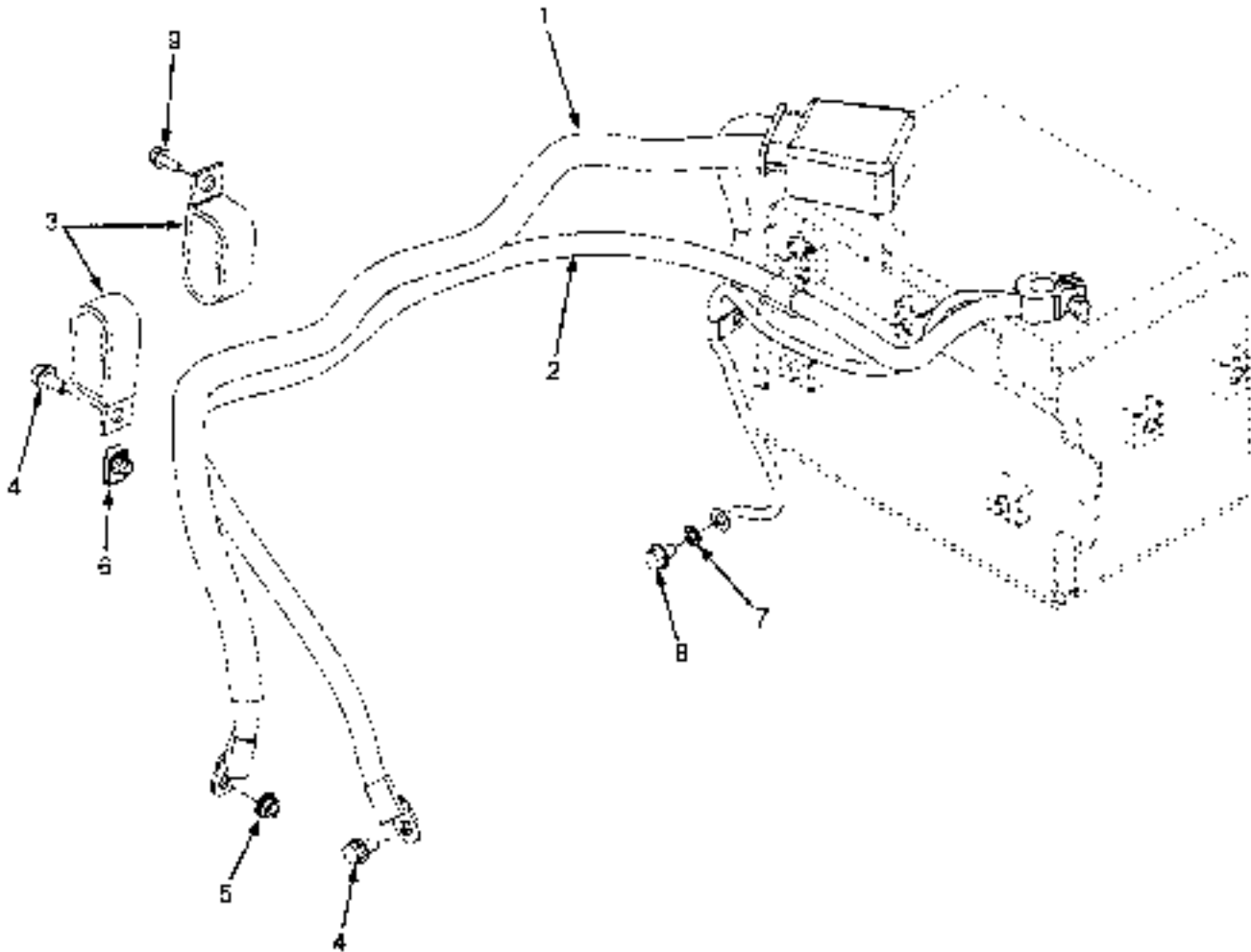
ALTERNATOR AND MOUNTING (Figure 4-5) YANMAR 2.6L AND 3.3L DIESEL



BP 081337

ITEM	PART NO.	DESCRIPTION	QTY
1	1599889	Alternator...	1
2	1599893	Bolt	1
3	1599894	Nut	1
4	1599897	Bolt	1
5	1599895	Belt Adjuster	1
6	1599896	Bolt	1

BATTERY CABLES (Figure 4-6) GM 2.4L LPG

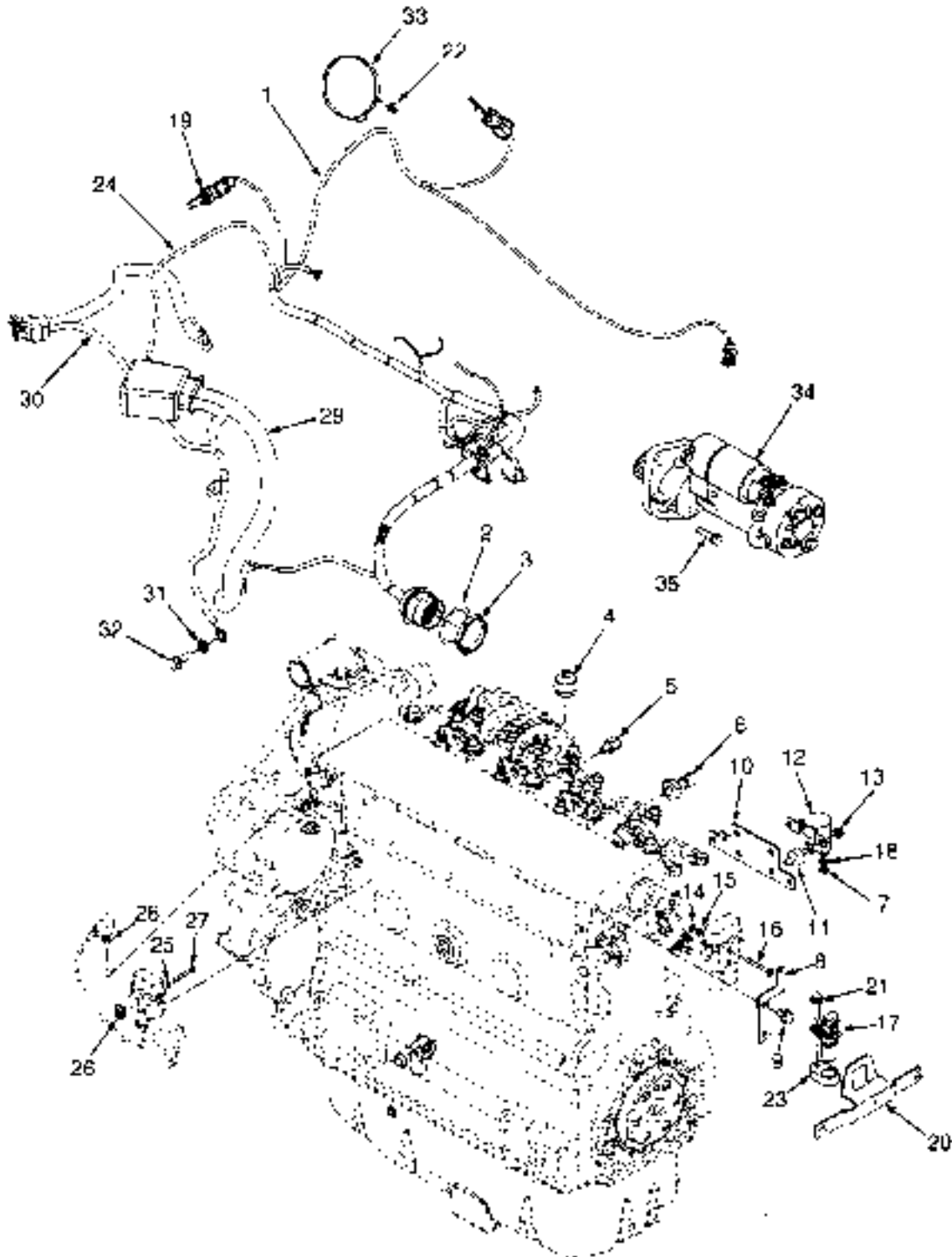


HFD81655

BATTERY CABLES
GM 2,4L
LPG

ITEM	PART NO.	DESCRIPTION	QTY
1	2061381	Battery Cable (Positive)	1
1	1536304	Boot	1
1	1560091	Boot	1
1	16079	Terminal	1
1	148792	Terminal	1
1	806428	Fitting	1
2	2069224	Battery Cable (Negative)	1
2	148789	Terminal	1
2	1564044	Fitting	1
2	16079	Terminal	1
2	128409	Clamp	1
2	806428	Fitting	1
3	212786	Clamp	2
4	1527879	Capscrew	1
5	1502543	Nut (Flange)	1
6	1480237	Clip Nut	1
7	296380	Lockwasher	1
8	1529386	Capscrew	1
9	1527876	Capscrew	1

ENGINE ELECTRICAL SYSTEM (Figure 4-7) YANMAR 2.6L AND 3.3L, DIESEL WITH OVERHEAD GUARD



HP104883

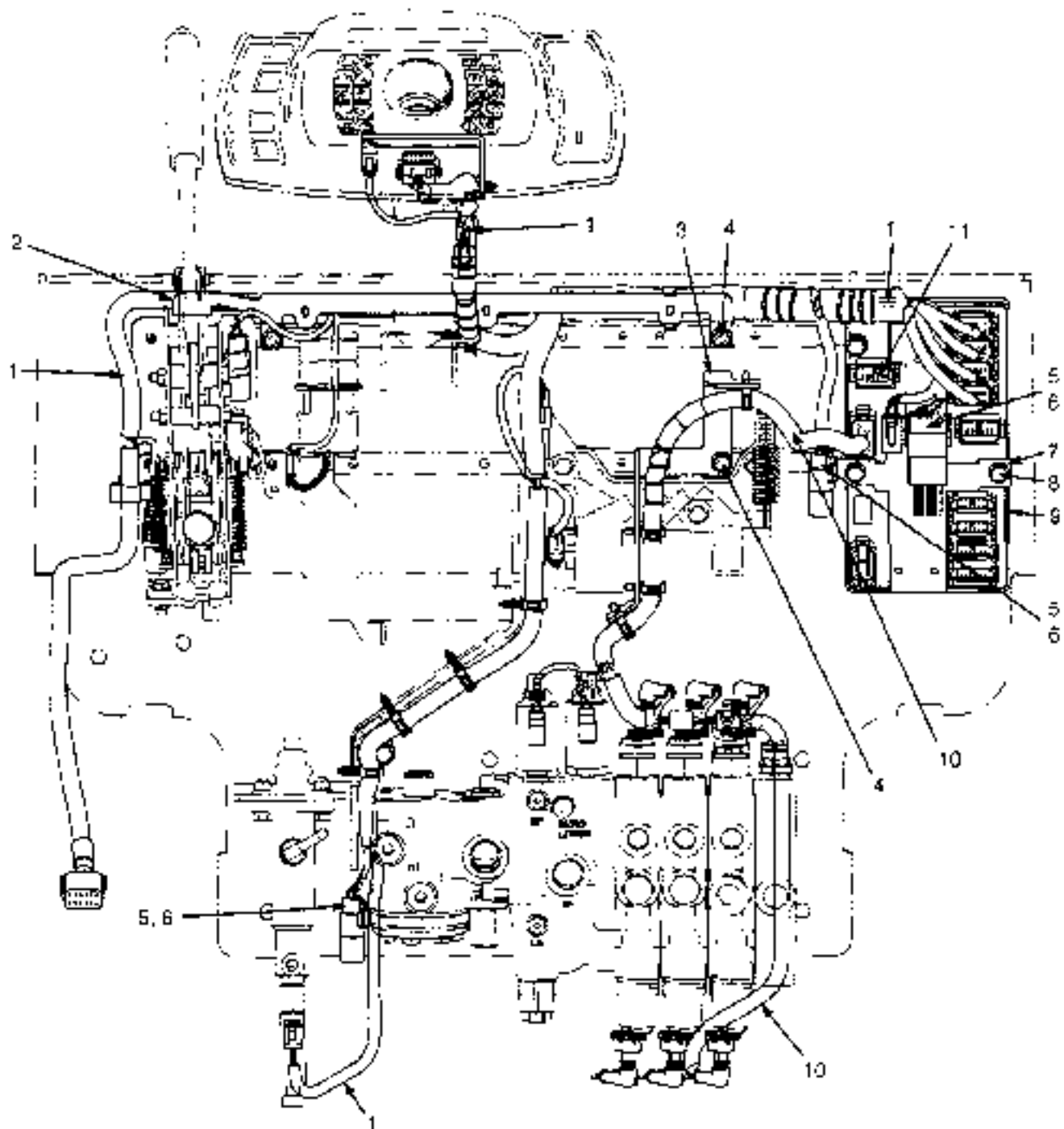
ENGINE ELECTRICAL SYSTEM YANMAR 2.6L AND 3.3L, DIESEL WITH OVERHEAD GUARD

ITEM	PART NO.	DESCRIPTION	QTY
1	2080844	Wire Harness (Engine) (* Figure 4.21)	1
2	1539086	Lockwasher	1
3	1539085	Nut	1
4	1529257	Sensor (Air Flow Restriction)	1
5	387224	Adapter	1
6	1566654	Sensor (Oil Pressure)	1
7	1580878	Nut	2
8	1582150	Bracket	1
9	1529368	Capscrew	4
10	1582151	Bracket	1
11	1527562	Isolation Mount	2
12	1454967	Relay (Glow Plug)	1
13	1514429	Nut (Flange)	2
14	320152	Washer	1
15	292676	Lockwasher	1
16	302015	Screw	1
17	1541231	Sensor (Speed)	1
18	298379	Washer	2
19	1515854	Sensor (Coolant Temperature)	1
20	*594055	Bracket	1
21	*527878	Capscrew	1
22	*542440	Clamp (Swivel)	1
23	*591454	Bracket	1
24	2065098	Wire Harness (Alternator)	1
24	*454860	Connector	4
24	*454829	Fuse (60 Amp)	1
24	*454862	Cover (With Seal)	1
24	*568148	Boot	1
24	*454827	Seal	2
24	*454828	Terminal	2
24	*48615	Terminal	4
25	320154	Washer	4
26	1537551	Clip Nut	1
27	302027	Screw	4
28	136887	Nut	4
29	2088344	Battery Cable (Positive)	1
29	149792	Terminal	1
29	18079	Terminal	4
29	805426	Fitting	4
29	1560091	Boot	4
29	1536304	Boot	4
30	2089226	Battery Cable (Negative)	4
30	148789	Terminal	1
30	18079	Terminal	1
30	1564044	Fitting	1
30	128408	Clamp	1
30	805426	Fitting	4
31	298380	Lockwasher	4
32	1529368	Capscrew	2
33	1502061	Clamp	4

**ENGINE ELECTRICAL SYSTEM
YANMAR 2.6L AND 3.3L, DIESEL
WITH OVERHEAD GUARD**

ITEM	PART NO.	DESCRIPTION	QTY
34	1589845	Starter.....	1
35	1528889	Capscrew.....	1

COWL ELECTRICAL (Figure 4-8)



HP0810-T

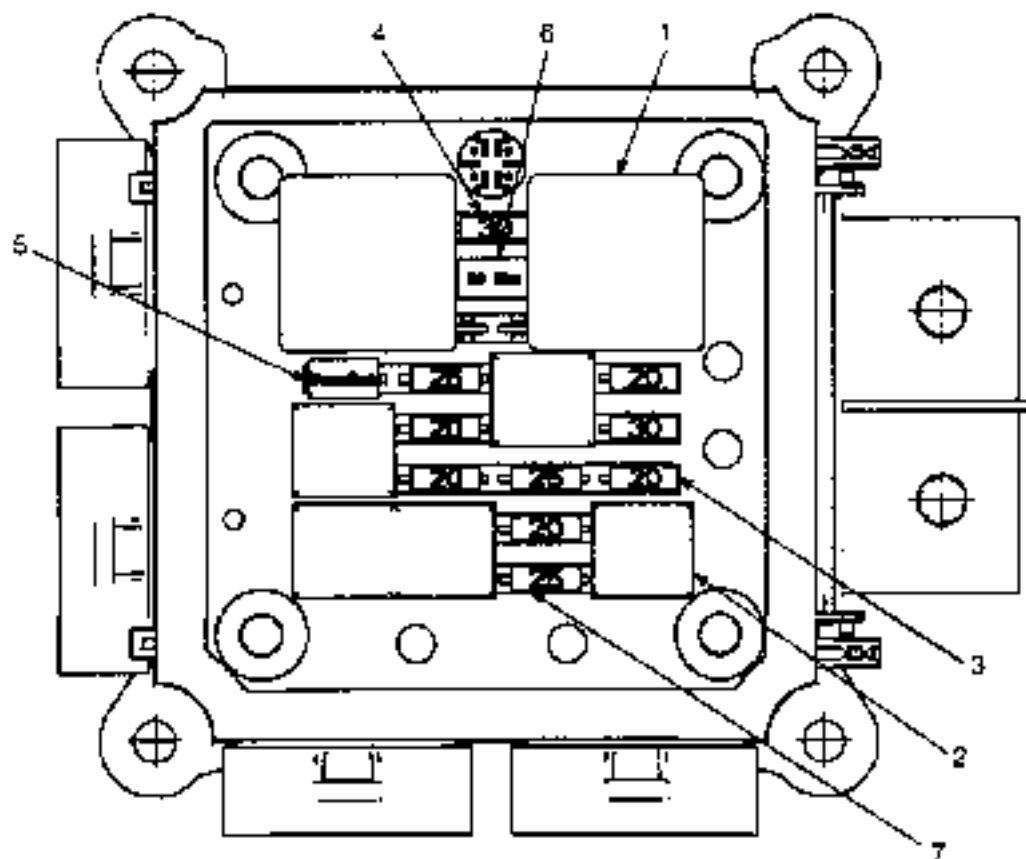
COWL ELECTRICAL

ITEM	PART NO.	DESCRIPTION	QTY
1	2073269	Wire Harness (Cowl) (See Figure 4-22)	1
2	1603190	Bracket	1
3	1531975	Bracket	1
4	1529368	Capscrew	4
5	1500912	Clip	3
6	1582464	Fastener	3
7	1582465	Bracket	1
8	1510115	Capscrew	3
9	a 2068339	Vehicle System Manager	1
9	cd 2068340	Vehicle System Manager	1
9	bc 2068344	Vehicle System Manager	1
10	2058909	Wire Harness (Electronic Control Valve) (Four Function) (See Figure 4-24)	1
10	2060198	Wire Harness (Electronic Control Valve) (Three Function) (See Figure 4-23)	1
11	1563841	Connector	1
	a 1554902	Screw	2

FOOTNOTES:

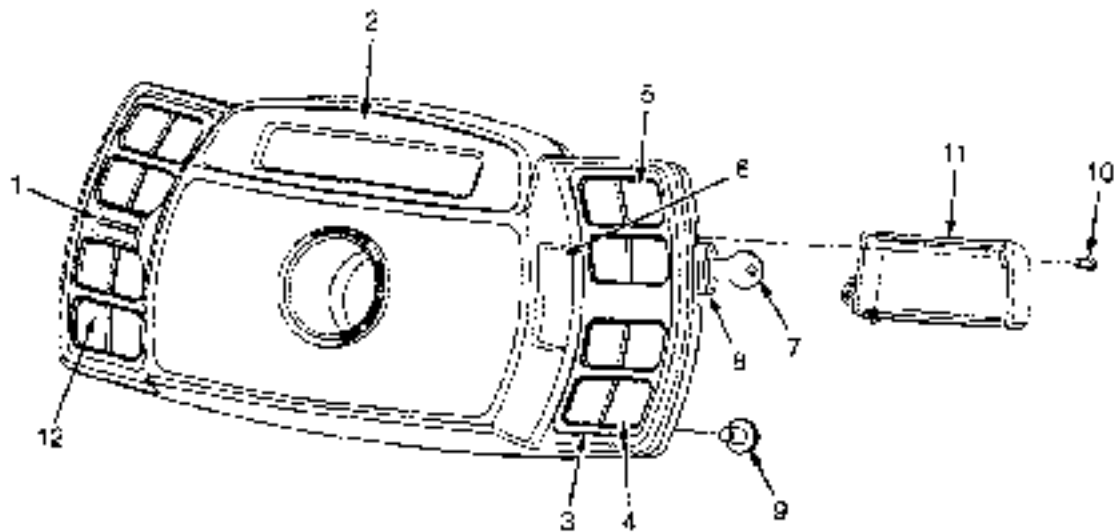
- a Not Illustrated
- b With Cab
- c With Electronic Hydraulics
- d With Overhead Guard
- e Without Electronic Hydraulics

POWER DISTRIBUTION MODULE (Figure 4-9)



BP048271

ITEM	PART NO	DESCRIPTION	QTY
	2063093	Power Distribution Module	1
1	2044712	Relay (30 Amp)	2
2	1528315	Relay (20 Amp)	5
3	1528132	Fuse (20 Amp)	5
4	1528133	Fuse (30 Amp).....	2
5	1528830	Semiconductor	1
6	1528831	Resistor (68 Ohm, 5 Watt)	1
7	1544255	Fuse (25 Amp).....	3

INSTRUMENT CLUSTER (Figure 4-10)

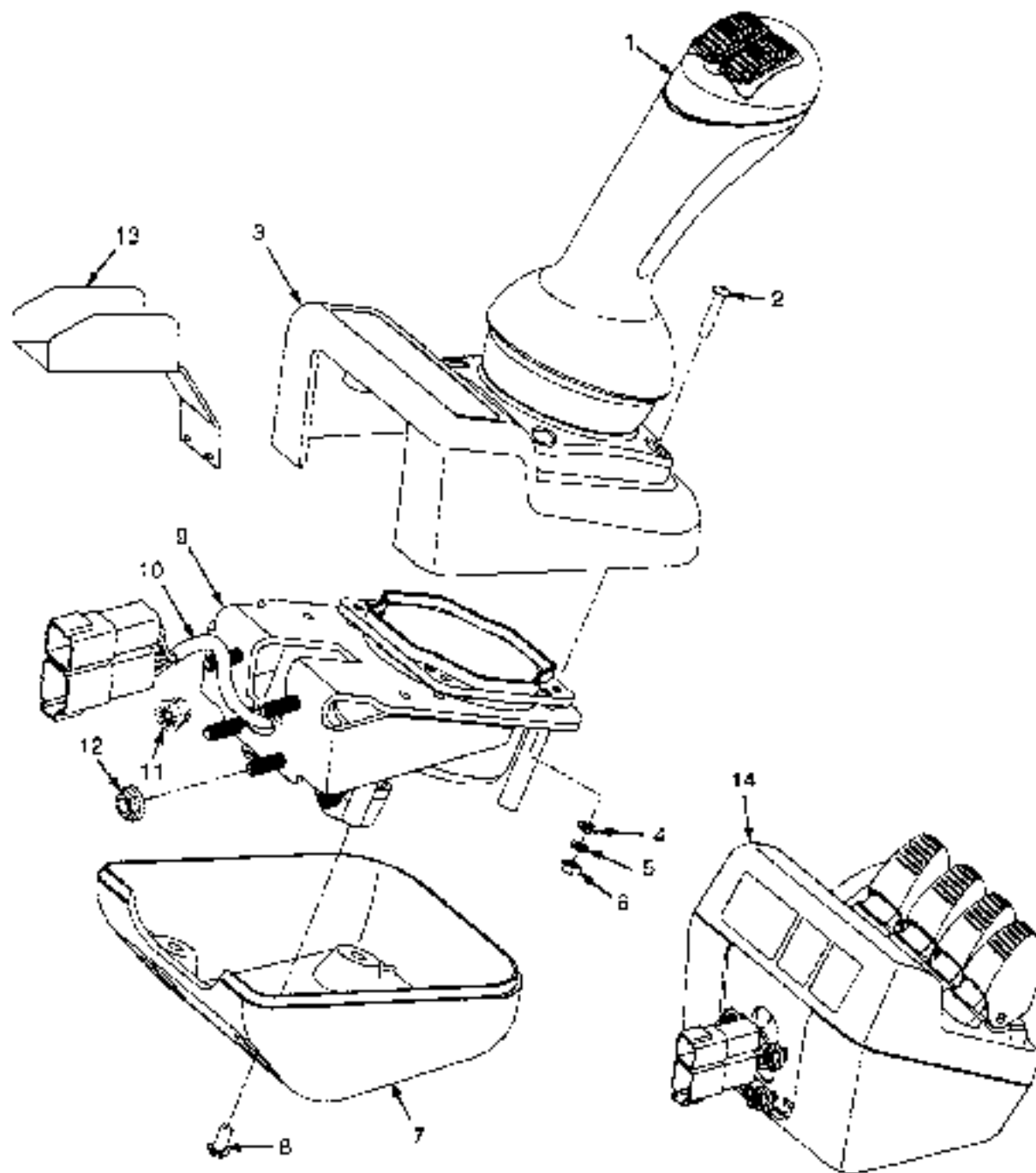
-PC01 024

KEY:**A:** Standard Ignition Switch - With Cab**B:** Standard Ignition Switch - With Overhead Guard

ITEM	PART NO.	DESCRIPTION	QTY	
			A	B
1	2060837	Lever (Detent) (Forward/Reverse Shift Lever)	1	1
1	2060838	Lever (Momentary) (Turn Signal Lever)	1	1
2	2076686	Instrument Cluster	*	1
2	2076686	Instrument Cluster	*	1
3	2066485	Bezel	1	1
4	2066484	Decal (RH Display, All Options)	1	1
5	^a 2066482	Overlay (RH Display)	1	1
6	2080032	Cover (Display Lever)	1	1
7	1337197	Key Set	1	1
7	186304	Key	2	2
8	2057948	Ignition Switch	1	1
9	1527879	Capscrew	4	4
10	1554802	Screw	5	5
11	2080033	Cover (Keyswitch)	1	1
12	2089431	Decal (LH Instrument Cluster)	1	1
12	2066483	Decal (LH Instrument Cluster)	*	1

FOOTNOTES:^a Remove Panels From Overlay As Required For Truck Configuration.

JOYSTICK AND ELECTRONIC CONTROL LEVERS (Figure 4-11)



4P681644

JOYSTICK AND ELECTRONIC CONTROL LEVERS**KEY:****A: Three Function, Without Clamping****B: Three Function, With Clamping****C: Four Function, Without Clamping****D: Four Function, With Clamping**

ITEM	PART NO.	DESCRIPTION	QTY			
			A	B	C	D
	1585906	Joystick Control (Without Interlock)	1	1
	1585907	Joystick Control (Without Interlock)	1	1
	1585908	Joystick Control (With Interlock)	1	1
	1585909	Joystick Control (With Interlock)	1	1
	2075224	Joystick (Without Interlock)	1	1
	2075225	Joystick (Without Interlock)	1	1
	2075226	Joystick (With Interlock)	1	1
	2075227	Joystick (With Interlock)	1	1
2	1598283	Screw	4	4	4	4
3	1550647	Housing (Upper)	1	1	1	1
4	320154	Washer	4	4	4	4
5	292678	Lockwasher	4	4	4	4
6	292667	Nut	4	4	4	4
7	1550646	Housing (Lower)	1	1	1	1
8	2062718	Capscrew	6	6	6	6
9	1552107	Bracket	1	1	1	1
10	2062070	Wire Harness (Joystick)	1	1	1	1
10	1463140	Terminal (Pin)	6	6	6	6
10	1530960	Connector	1	1	1	1
10	1530961	Secondary Lock	1	1	1	1
10	1550495	Connector	1	1	1	1
10	1550496	Terminal (Socket)	6	6	6	6
10	1532904	Connector	1	1	1	1
10	1463193	Secondary Lock	1	1	1	1
11	1569995	Bushing	1	1	1	1
12	1514429	Nut (Flange)	4	4	4	4
13	1579847	Bracket	1	1	1	1
14	2054790	Mini-Levers	1
14	1598222	Mini-Lever Plug Kit	1
14	1598221	Mini-Lever Interlock Switch Kit	1
14	1598223	Momentary Switch Plug Kit	2
14	1555731	Lever Kit	3
14	2075911	Mini-Levers	1
14	1598222	Mini-Lever Plug Kit	1
14	1598221	Mini-Lever Interlock Switch Kit	1
14	1598223	Momentary Switch Plug Kit	2
14	1555731	Lever Kit	2
14	1591185	Mini-Lever Interlock Kit	1
14	b 2075913	Mini-Levers	1
14	b 1598222	Mini-Lever Plug Kit	1
14	b 1598221	Mini-Lever Interlock Switch Kit	1
14	b 1598223	Momentary Switch Plug Kit	2
14	b 1555731	Lever Kit	2
14	b 1591185	Mini-Lever Interlock Kit	1
14	b 2075916	Mini-Levers	1

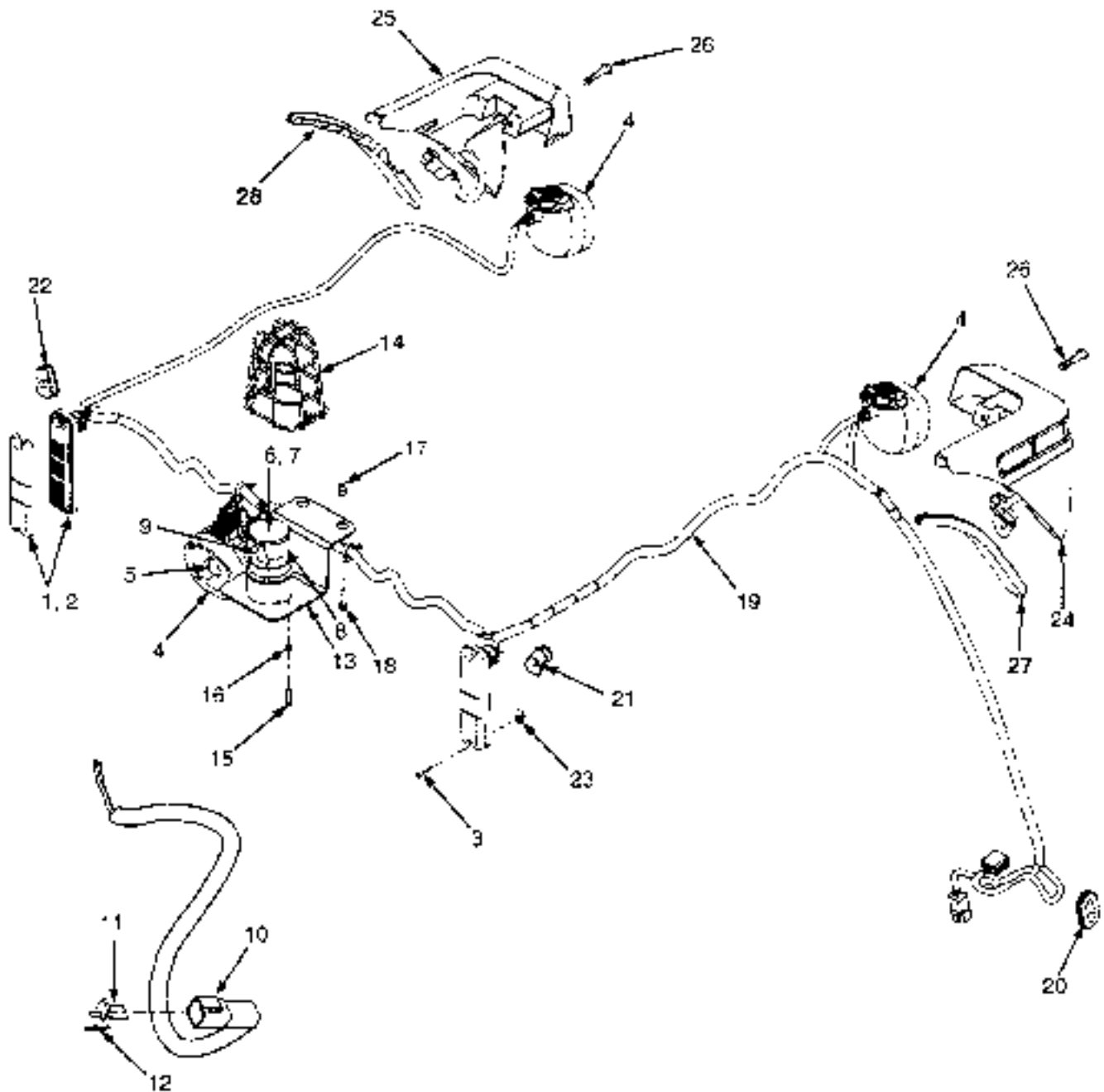
JOYSTICK AND ELECTRONIC CONTROL LEVERS

ITEM	PART NO.	DESCRIPTION	QTY			
			A	B	C	D
14	b 1555731	Lever Kit		1		
14	b 1591185	Mini-Lever Interlock Kit		2		
14	2064807	Mini-Levers			1	
14	1598222	Mini-Lever Plug Kit			1	
14	1598221	Mini-Lever Interlock Switch Kit			1	
14	1598223	Momentary Switch Plug Kit			2	
14	1555731	Lever Kit			4	
14	2075912	Mini-Levers				1
14	1598222	Mini-Lever Plug Kit				1
14	1598221	Mini-Lever Interlock Switch Kit				1
14	1598223	Momentary Switch Plug Kit				2
14	1555731	Lever Kit				3
14	1591185	Mini-Lever Interlock Kit				1
14	b 2075914	Mini-Levers			1	
14	b 1598222	Mini-Lever Plug Kit			1	
14	b 1598221	Mini-Lever Interlock Switch Kit			1	
14	b 1598223	Momentary Switch Plug Kit			2	
14	b 1555731	Lever Kit			3	
14	b 1591185	Mini-Lever Interlock Kit			1	
14	b 2075917	Mini-Levers				1
14	b 1598222	Mini-Lever Plug Kit				1
14	b 1598221	Mini-Lever Interlock Switch Kit				1
14	b 1598223	Momentary Switch Plug Kit				2
14	b 1555731	Lever Kit				2
14	b 1591185	Mini-Lever Interlock Kit				2
	a 1598222	Mini-Lever Plug Kit	1	1	1	1
	a 1598221	Mini-Lever Interlock Switch Kit	1	1	1	1
	a 1598223	Momentary Switch Plug Kit	2	2	2	2

FOOTNOTES:

- a Not Illustrated
- b With Return To Set T It

LIGHTS (Figure 4-12) BRAKE, TAIL, BACKUP, SIDE, TURN SIGNALS, WORK, STROBE WITH OVERHEAD GUARD

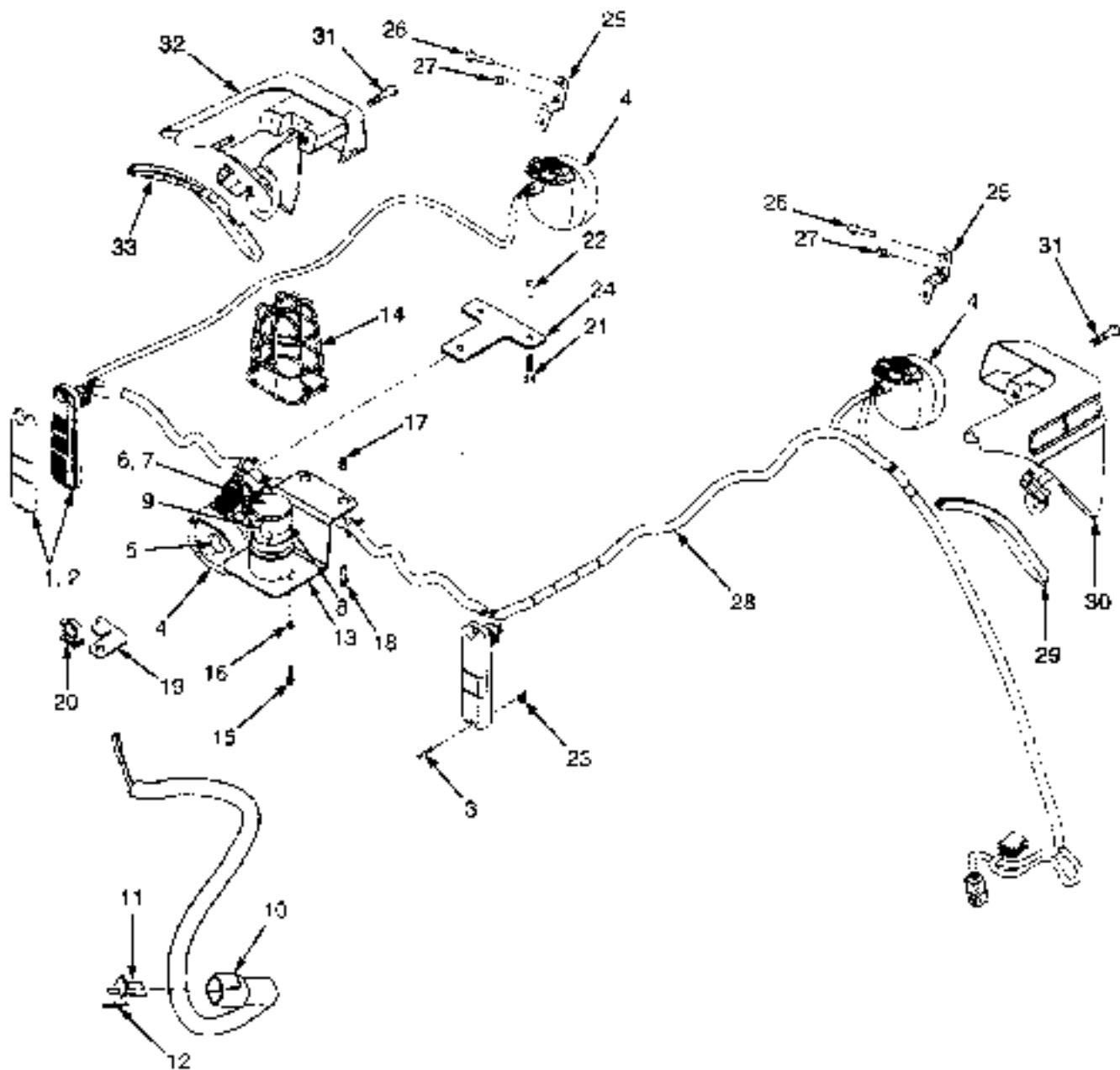


RP543385

LIGHTS
BRAKE, TAIL, BACKUP, SIDE, TURN SIGNALS, WORK, STROBE
WITH OVERHEAD GUARD

ITEM	PART NO.	DESCRIPTION	QTY
1	2056824	Light (Stop, Turn, Tail And Back-Up)	2
1		Bracket (See Figure 1-2)	2
2	2056826	Reflector (Tail)	2
3	1565125	Screw	4
4	2064836	Work Light (Rear)	1
4	2070553	Work Light (RH Front)	1
4	2070554	Work Light (LH Front)	1
5	1495122	Bulb	1
6	1581670	Strobe Light Assembly	1
7	1382130	Strobe Light	1
8	1526082	Lens (Amber)	1
9	1308775	Bulb	1
10	1561559	Connector	1
11	1561755	Secondary Lock	1
12	1463138	Pin	2
13	1565076	Bracket	1
14	1302024	Guard	1
15	1586759	Capscrew	2
16	1586428	Nut	2
17	1531001	Insert	2
18	1586485	Capscrew	2
19	2074737	Wire Harness (See Figure 4-25)	1
20	1538584	Grommet (Vehicle System Manager)	1
21	1560447	Grommet (RH Tail Light)	1
22	1560448	Grommet (LH Tail Light)	1
23	1537551	Clip Nut	4
24	2070561	Turn Signal (RH Front)	1
24	2070563	Cap	2
24	1493466	Connector	1
24	1330415	Lock	1
24	1330437	Terminal (Pin)	3
25	2070562	Turn Signal (LH Front)	1
25	2070563	Cap	2
25	1493466	Connector	1
25	1330415	Lock	1
25	1330437	Terminal (Pin)	3
26	1808654	Capscrew	4
27	1808589	Trim (RH Marker)	1
28	1808590	Trim (LH Marker)	1

LIGHTS (Figure 4-13) BRAKE, TAIL, BACKUP, SIDE, TURN SIGNALS, WORK, STROBE WITH CAB

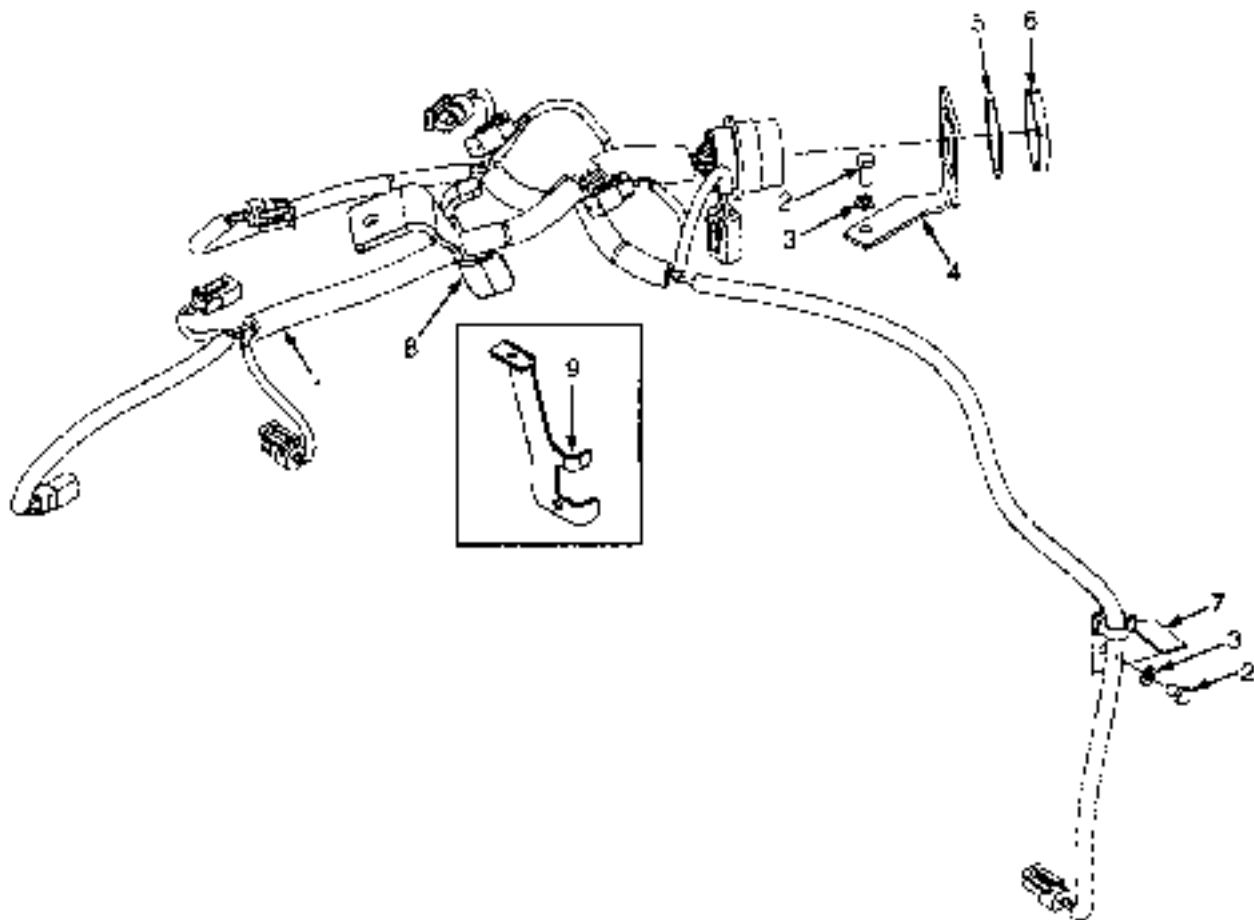


8P05036C

LIGHTS
BRAKE, TAIL, BACKUP, SIDE, TURN SIGNALS, WORK, STROBE
WITH CAB

ITEM	PART NO.	DESCRIPTION	QTY
*	2056824	Light (Stop, Turn, Tail, And Back-Up).....	2
*	.	Bracket (Fig. 1-2).....	2
2	2056826	Reflector (Tail).....	2
3	1565125	Screw.....	4
4	2064836	Work Light (Rear).....	1
4	2064837	Work Light (RH Front).....	1
4	2064838	Work Light (LH Front).....	1
5	1495122	Bulb.....	1
6	1581670	Strobe Light Assembly.....	1
7	1382130	Strobe Light.....	1
8	1526082	Lens (Amber).....	1
9	1309775	Bulb.....	1
10	1561559	Connector.....	1
11	1561765	Secondary Lock.....	1
12	1463138	Pin.....	2
13	1565076	Bracket.....	*
14	1302024	Guard.....	*
15	1586759	Capscrew.....	2
16	1586428	Nut.....	2
17	1531558	Insert.....	2
18	1586495	Capscrew.....	2
19	1532759	Bracket.....	1
20	1532775	Clip.....	1
21	1586496	Capscrew.....	2
22	1531558	Insert.....	2
23	1537551	Clip Nut.....	4
24	1658771	Bracket.....	1
25	1588583	Bracket.....	2
26	1588611	Capscrew.....	4
27	1631557	Insert.....	4
28	1598333	Wire Harness.....	1
29	1608591	Trim (RH Marker).....	1
30	2070561	Turn Signal (RH Front).....	1
31	1608654	Capscrew.....	4
32	2070562	Turn Signal (LH Front).....	1
33	1608592	Trim (LH Marker).....	1

TRANSMISSION ELECTRICAL SYSTEM (Figure 4-14)

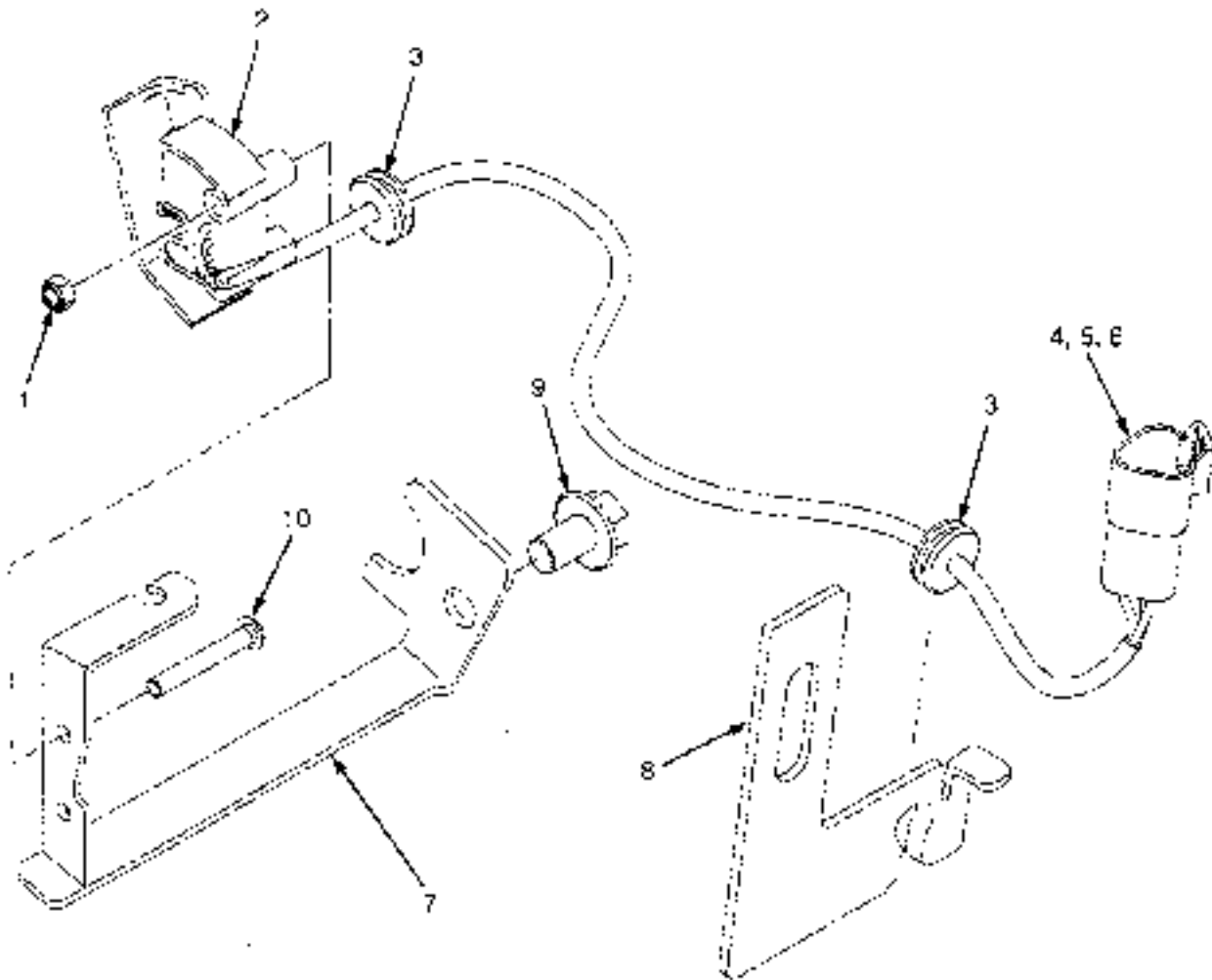


HP36-526

TRANSMISSION ELECTRICAL SYSTEM**KEY:****A:** Single Speed**B:** Dual Speed

ITEM	PART NO.	DESCRIPTION	QTY	
			A	B
1	2070731	Wire Harness (Transmission) (Single Speed) (☞ Figure 4-27)	1	..
1	2075644	Wire Harness (Transmission) (Dual Speed) (☞ Figure 4-28)	.	1
2	287851	Cap screw.....	2	2
3	292881	Lockwasher.....	2	2
4	Bracket	1	1
5	1539086	Lockwasher.....	1	1
6	1539085	Nut	1	1
7	1531519	Bracket	1	1
8	1581176	Bracket	1
9	1584127	Bracket	1	

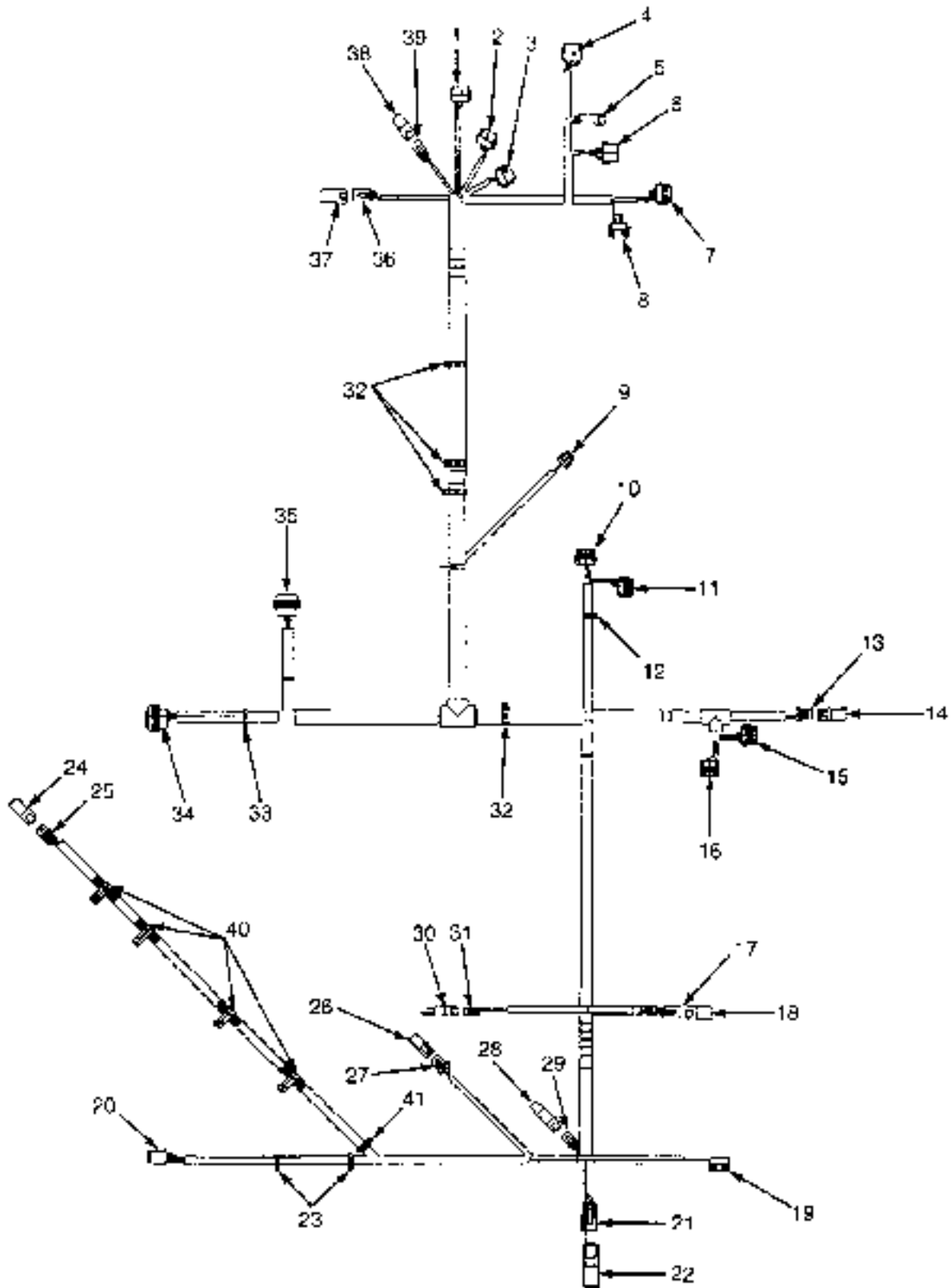
MAST ELECTRICAL (Figure 4-15)



MF081016

ITEM	PART NO.	DESCRIPTION	QTY
1	302388	Nut.....	2
2	1589621	Sensor (Mast).....	1
3	98644	Grommet.....	2
4	1493466	Connector.....	1
5	1330415	Lock.....	1
6	1330437	Terminal (Pin).....	3
7	1592071	Bracket.....	1
8	1592076	Bracket.....	1
9	1527883	Capscrew.....	1
10	1553897	Capscrew.....	2

WIRE HARNESS (Figure 4-16) RH CHASSIS MAZDA 2.0L AND 2.2L, LPG



HP06-621

**WIRE HARNESS
RH CHASSIS
MAZDA 2.0L AND 2.2L, LPG**

ITEM	PART NO.	DESCRIPTION	QTY
	2075561	Wire Harness (RH Chassis)	1
1	1525570	Connector (Vehicle System Manager)	1
1	1530037	Secondary Lock	1
1	1463139	Terminal	9
1	1484377	Plug	4
2	1525568	Connector (Vehicle System Manager)	1
2	1530037	Secondary Lock	1
2	1463139	Terminal	7
2	1484377	Plug	5
3	1525567	Connector (Vehicle System Manager)	1
3	1530037	Secondary Lock	1
3	1463139	Terminal	9
3	1484377	Plug	3
4	1525563	Connector (Vehicle System Manager)	1
4	1500913	Secondary Lock	1
4	1330438	Socket (Terminal)	8
4	1363886	Socket	4
5	*489655	Connector (To Cowl Harness)	1
5	*330416	Secondary Lock	1
5	1330437	Terminal (Pin)	4
6	1493428	Connector (12-Way) (To Cowl Harness)	1
6	1500913	Secondary Lock	1
6	1330438	Socket (Terminal)	9
6	1484377	Plug	3
7	1525567	Connector (Vehicle System Manager)	1
7	1529046	Secondary Lock	1
7	1463139	Terminal	8
7	1484377	Plug	8
8	*525589	Connector (Vehicle System Manager)	1
8	*529046	Secondary Lock	1
8	*463139	Terminal	9
8	*484377	Plug	3
9	1476064	Connector (Horn)	1
9	1476109	Secondary Lock	1
9	1330355	Terminal	3
9	1330356	Seal	2
9	1476108	Seal	1
10	1521184	Connector (Power Distribution Module)	1
10	*521188	Secondary Lock	1
10	*330281	Terminal	5
10	*521989	Terminal	1
10	*327164	Plug	2
10	1402888	Seal	1
10	1323579	Seal	5
11	1521183	Connector (Power Distribution Module)	1
11	1521186	Secondary Lock	1
11	1330281	Terminal	4
11	*521989	Terminal	3
11	*323579	Seal	7
11	*327164	Plug	1

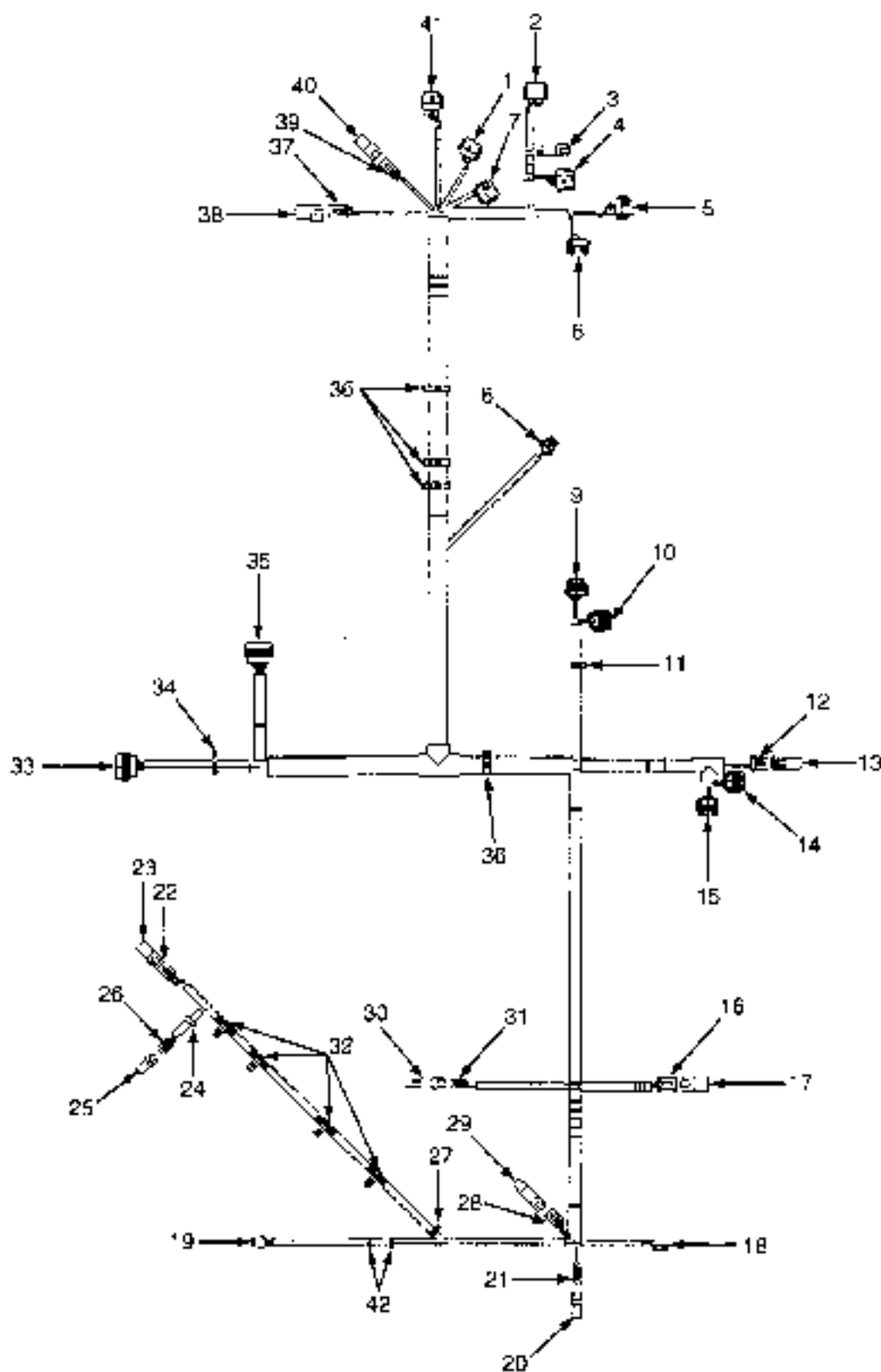
WIRE HARNESS RH CHASSIS MAZDA 2.0L AND 2.2L, LPG

ITEM	PART NO.	DESCRIPTION	QTY
12	1534828	Clip	1
13	1329152	Connector (Hydraulic Filter)	1
13	1329151	Secondary Lock	1
13	1330281	Terminal	2
13	1402888	Seal	2
14	1329150	Connector (End Cap)	1
14	1329151	Secondary Lock	1
14	1327164	Plug	2
15	1521185	Connector (Power Distribution Module)	1
15	1521188	Secondary Lock	1
15	1330261	Terminal	5
15	1521989	Terminal	2
15	1323579	Seal	7
15	1327164	Plug	1
16	1521186	Connector (Power Distribution Module)	1
16	1521188	Secondary Lock	1
16	1521989	Terminal	7
16	1323579	Seal	7
16	1327164	Plug	1
17	1514602	Connector (Accessory 2)	1
17	1514603	Secondary Lock	-
17	1554359	Terminal	3
17	1330439	Plug	-
18	1514597	Connector (End Cap)	1
18	1330439	Plug	4
19	1572588	Switch (Hood Switch)	-
20	1541991	Connector (To Seat Harness)	1
20	1541992	Secondary Lock	-
20	1463139	Terminal	8
21	1490242	Connector (Alternate Horn Button)	-
21	1490243	Secondary Lock	1
21	1330438	Socket (Terminal)	2
22	1361681	Connector (End Cap)	1
23	1402816	Clip	2
24	1351653	Connector (End Cap)	1
25	1493430	Connector (To Back-Up Alarm)	1
25	1629052	Secondary Lock	-
25	1330438	Socket (Terminal)	6
26	1329150	Connector (End Cap)	-
26	1329151	Secondary Lock	-
26	1327164	Plug	2
27	1329152	Connector (Coolant Level)	-
27	1329151	Secondary Lock	1
27	1330281	Terminal	2
27	1402888	Seal	2
28	1525577	Connector (End Cap)	1
29	1489656	Connector (Bus Terminal)	1
29	1489657	Secondary Lock	-
29	1330438	Socket (Terminal)	4
30	1493465	Connector (Key Switch)	1

**WIRE HARNESS
RH CHASSIS
MAZDA 2.0L AND 2.2L, LPG**

ITEM	PART NO	DESCRIPTION	QTY
30	1330414	Secondary Lock	1
30	1330437	Terminal (Pin).....	2
31	1490242	Connector (Key Switch).....	1
31	1490245	Secondary Lock	1
31	1330438	Socket (Terminal).....	2
32	1534282	Clip	4
33	1500999	Clip	1
34	1502827	Connector (To Transmission Harness).....	1
34	1330438	Socket (Terminal)	17
34	1484377	Plug	6
35	15315C1	Connector (To Engine Harness).....	1
35	1330438	Socket (Terminal)	6
35	1554359	Terminal	3
35	1484377	Plug	17
35	1330439	Plug	1
36	1514802	Connector (To Lights/Cab Harness).....	1
36	1514803	Secondary Lock.....	1
36	1554359	Terminal	4
37	Enc Cap
37	1514597	Connector
37	1330439	Plug	4
36	Enc Cap
36	1490187	Connector
38	1330439	Plug	2
39	1545202	Connector (Accessory 1)
39	1548897	Secondary Lock.....
39	1554359	Terminal	2
40	1597778	Clip	4
41	1509890	Clip

WIRE HARNESS (Figure 4-17) RH CHASSIS GM 2.4L, LPG



HPC61622

**WIRE HARNESS
RH CHASSIS
GM 2.4L LPG**

ITEM	PART NO.	DESCRIPTION	QTY
	2076560	Wire Harness (RH Chassis)	1
1	1525588	Connector (Vehicle System Manager).....	1
1	1530037	Secondary Lock.....	1
1	1463139	Terminal	7
1	1484377	Plug	6
2	1525563	Connector (Vehicle System Manager).....	1
2	1500913	Secondary Lock.....	1
2	1330438	Socket (Terminal).....	8
2	1363888	Socket	4
3	1489855	Connector (To Cowl Harness).....	1
3	1330416	Secondary Lock.....	1
3	1330437	Terminal (Pin).....	4
4	1493428	Connector (12-Way) (To Cowl Harness)	1
4	1500913	Secondary Lock.....	1
4	1330438	Socket (Terminal).....	9
4	1484377	Plug.....	3
5	1525567	Connector (Vehicle System Manager).....	1
5	1529046	Secondary Lock.....	1
5	1463139	Terminal	6
5	1484377	Plug.....	6
6	1525569	Connector (Vehicle System Manager)	1
6	1529046	Secondary Lock.....	1
6	1463139	Terminal	3
6	1484377	Plug	9
7	1525567	Connector (Vehicle System Manager).....	1
7	1530037	Secondary Lock.....	1
7	1463139	Terminal	9
7	1484377	Plug	3
8	1476084	Connector (Horn)	1
8	1476109	Secondary Lock.....	1
8	1330355	Terminal	3
8	1330356	Seal.....	2
8	1476108	Seal	1
9	1521184	Connector (Power Distribution Module)	1
9	1521186	Secondary Lock.....	1
9	1330281	Terminal	6
9	1521989	Terminal	1
9	1323579	Seal	5
9	1402888	Seal	2
9	1327164	Plug	1
10	1521183	Connector (Power Distribution Module).....	1
10	1521186	Secondary Lock	1
10	1330281	Terminal	4
10	1521989	Terminal	3
10	1323579	Seal	7
10	1327164	Plug	1
11	1534828	Clip	1
12	1329152	Connector (Hydraulic Filter)	1
12	1329151	Secondary Lock	1
12	1330281	Terminal	2

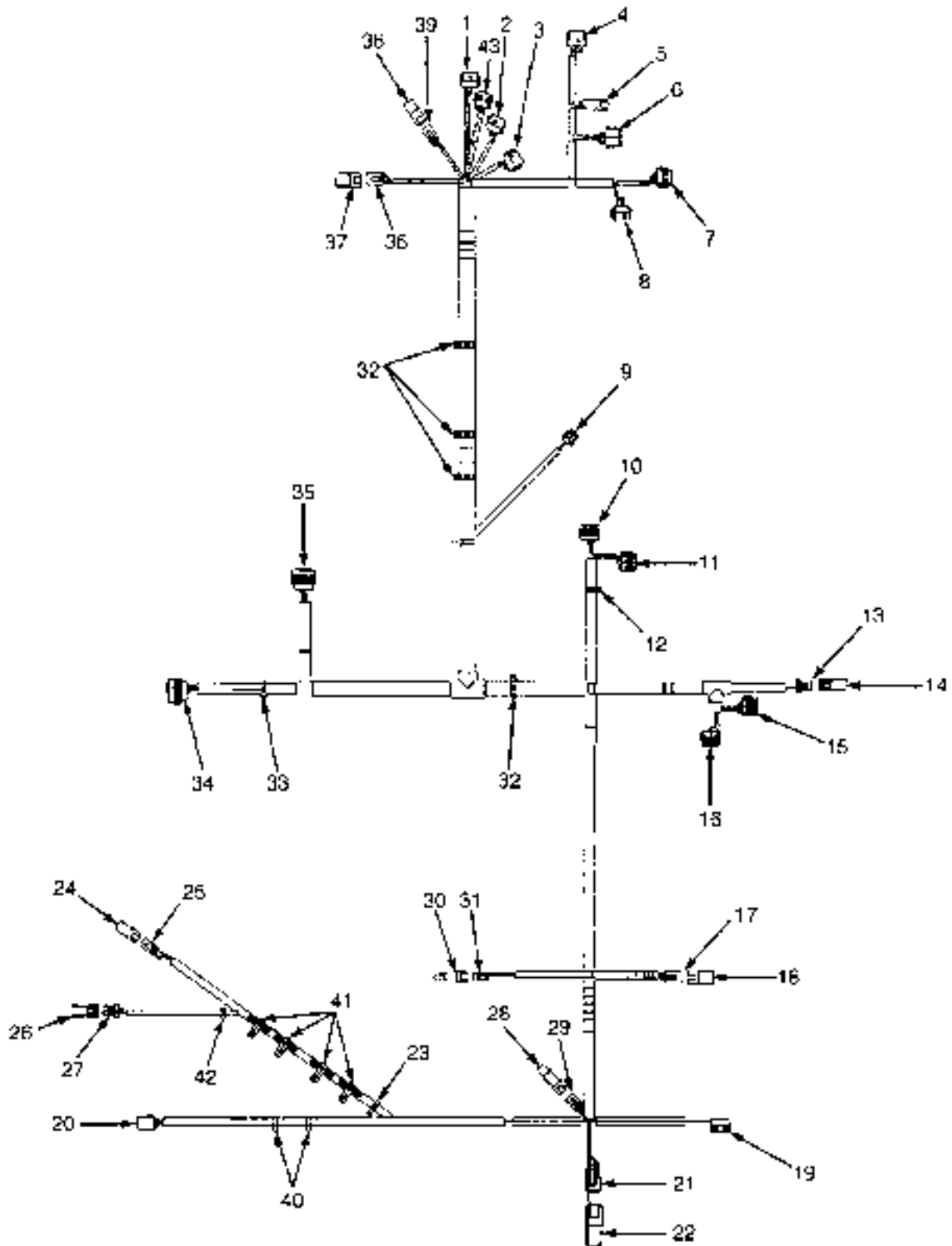
WIRE HARNESS RH CHASSIS GM 2.4L, LPG

ITEM	PART NO.	DESCRIPTION	QTY
12	140288E	Seal	2
13	132915C	Connector (End Cap)	1
13	1329151	Secondary Lock	1
13	1327164	Plug	2
14	1521185	Connector (Power Distribution Module)	1
14	1521188	Secondary Lock	1
14	1330281	Terminal	5
14	1521989	Terminal	3
14	1323579	Seal	8
15	1521186	Connector (Power Distribution Module)	1
15	1521188	Secondary Lock	1
15	1521989	Terminal	7
15	1323579	Seal	7
15	1327164	Plug	1
16	1514602	Connector (Accessory 2)	1
16	1514603	Secondary Lock	1
16	1554359	Terminal	3
16	1330439	Plug	1
17	1514597	Connector (End Cap)	1
17	1330439	Plug	4
18	1572588	Switch (Hood Switch)	1
19	1541991	Connector (To Seal Harness)	1
19	1541992	Secondary Lock	1
19	1463139	Terminal	8
20	1351681	Connector (End Cap)	1
21	1490242	Connector (Alternate Horn Button)	1
21	1490243	Secondary Lock	1
21	1330438	Socket (Terminal)	2
22	1493430	Connector (To Back-Up Alarm Harness)	1
22	1529052	Secondary Lock	1
22	1330438	Socket (Terminal)	6
23	1351683	Connector (End Cap)	1
24	1509888	Clip	1
25	1329150	Connector (End Cap)	1
25	1329151	Secondary Lock	1
25	1327164	Plug	2
26	1329152	Connector (Coolant Level)	1
26	1329151	Secondary Lock	1
26	1330281	Terminal	2
26	1402889	Seal	2
27	1509890	Clip	1
28	1489656	Connector (Bus Terminal 2)	1
28	1489657	Secondary Lock	1
28	1330438	Socket (Terminal)	4
29	1525577	Connector (End Cap)	1
30	1493465	Connector (Key Switch)	1
30	1330414	Secondary Lock	1
30	1330437	Terminal (Pin)	2
31	1490242	Connector (Key Switch)	1
31	1490243	Secondary Lock	1

**WIRE HARNESS
RH CHASSIS
GM 2.4L, LPG**

ITEM	PART NO.	DESCRIPTION	QTY
31	1330438	Socket (Terminal).....	2
32	1587778	Clip.....	4
33	1502627	Connector (To Transmission Harness).....	1
33	1330438	Socket (Terminal).....	17
33	1484377	Plug.....	8
34	1500899	Clip.....	1
35	1531501	Connector (To Engine Harness).....	1
35	1330438	Socket (Terminal).....	9
35	1463139	Terminal.....	8
35	1554359	Terminal.....	4
35	1484377	Plug.....	10
36	1534282	Clip.....	4
37	1514602	Connector (To Lights/Cab Harness).....	1
37	1514603	Secondary Lock.....	1
37	1554359	Terminal.....	4
38	1514697	Connector (End Cap).....	1
38	1330439	Plug.....	4
39	1545202	Connector (Accessory 1).....	1
39	1548697	Secondary Lock.....	1
39	1554359	Terminal.....	2
40	1480187	Connector (End Cap).....	1
40	1330439	Plug.....	2
41	1525670	Connector (Vehicle System Manager).....	1
41	1530037	Secondary Lock.....	1
41	1463139	Terminal.....	8
41	1484377	Plug.....	4
42	1402815	Clip.....	2

WIRE HARNESS (Figure 4-18) RH CHASSIS YANMAR 2.6L AND 3.3L, DIESEL



4PC01110

**WIRE HARNESS
RH CHASSIS
YANMAR 2.6L AND 3.3L, DIESEL**

ITEM	PART NO.	DESCRIPTION	QTY
	2075562	Wire Harness (RH Chassis)	1
1	1525570	Connector (Vehicle System Manager).....	1
1	1463139	Terminal	7
1	1484377	Plug	5
1	1530037	Secondary Lock	1
2	1525568	Connector (Vehicle System Manager).....	1
2	1463139	Terminal	9
2	1484377	Plug.....	3
2	1530037	Secondary Lock	1
3	1525567	Connector (Vehicle System Manager)	1
3	1530037	Secondary Lock	1
3	1463139	Terminal	9
3	1484377	Plug	3
4	1525568	Connector (Vehicle System Manager).....	1
4	1500913	Secondary Lock	1
4	1330438	Socket (Terminal)	8
4	1383886	Socket	4
5	1489656	Connector (To Cowl Harness)	1
5	1330416	Secondary Lock	1
5	1330437	Terminal (P/n).....	4
6	1493428	Connector (12-Way) (To Cowl Harness).....	1
6	1330438	Socket (Terminal)	9
6	1484377	Plug.....	3
6	1500913	Secondary Lock	1
7	1525567	Connector (Vehicle System Manager)	1
7	1529046	Secondary Lock	1
7	1463139	Terminal	6
7	1484377	Plug	6
8	1525569	Connector (Vehicle System Manager).....	1
8	1529046	Secondary Lock	1
8	1463139	Terminal	9
8	1484377	Plug.....	3
9	1476064	Connector (Horn)	1
9	1476109	Secondary Lock	1
9	1330356	Seal.....	2
9	1330356	Terminal	3
9	1476108	Seal.....	1
10	1521184	Connector (Power Distribution Module)	1
10	1521188	Secondary Lock	1
10	1323579	Seal.....	5
10	1327164	Plug.....	2
10	1330281	Terminal	5
10	1521989	Terminal	1
10	1402888	Seal.....	1
11	1521183	Connector (Power Distribution Module).....	1
11	1521188	Secondary Lock	1
11	1323579	Seal.....	7
11	1327164	Plug.....	1
11	1330281	Terminal	4
11	1521989	Terminal	3

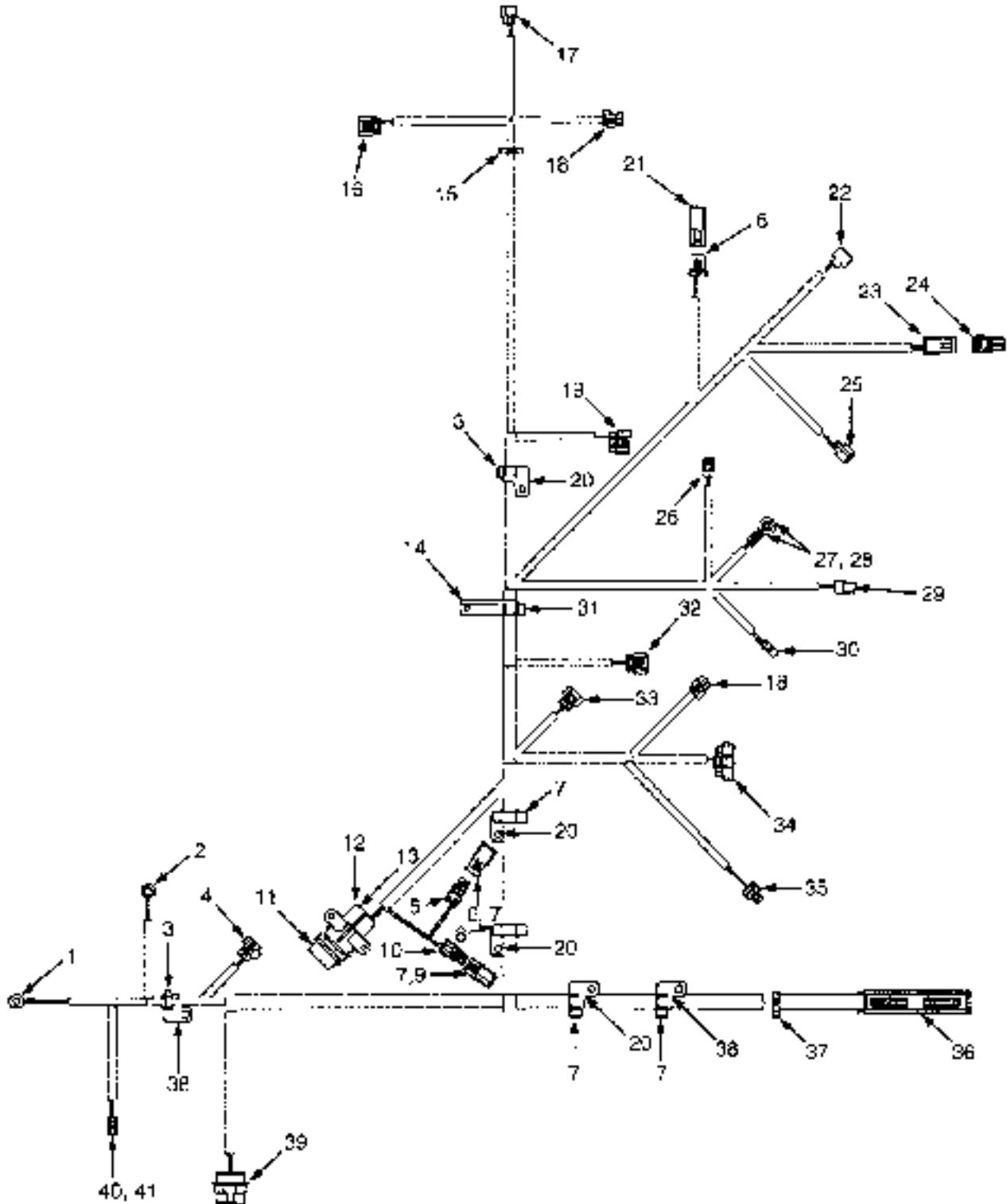
WIRE HARNESS RH CHASSIS YANMAR 2.6L AND 3.3L, DIESEL

ITEM	PART NO	DESCRIPTION	QTY
12	1534828	Clip	1
13	1329152	Connector (Hydraulic Filter)	1
13	1329151	Secondary Lock	1
13	1330281	Terminal	2
13	1402888	Seal	2
14	1329160	Connector (End Cap)	1
14	1327164	Plug	2
14	1329151	Secondary Lock	1
15	1521165	Connector (Power Distribution Module)	1
15	1521168	Secondary Lock	1
15	1323579	Seal	8
15	1521989	Terminal	2
15	1330281	Terminal	6
15	1521989	Terminal	2
16	1521186	Connector (Power Distribution Module)	1
16	1521186	Secondary Lock	1
16	1323579	Seal	7
16	1327164	Plug	1
16	1521989	Terminal	7
17	1544602	Connector (Accessory 2)	1
17	1544603	Secondary Lock	1
17	1330439	Plug	1
17	1554359	Terminal	3
18	1514587	Connector (End Cap)	1
18	1330439	Plug	4
19	1572586	Switch (Hood Switch)	1
20	1541981	Connector (To Seat Harness)	1
20	1541982	Secondary Lock	1
20	1463139	Terminal	8
21	1490242	Connector (Alternate Horn Button)	1
21	1561519	Connector	1
21	1330438	Socket (Terminal)	2
22	1351681	Connector (End Cap)	1
23	1509890	Clip	1
24	1351683	Connector (End Cap)	1
25	1493430	Connector (To Back-Up Alarm)	1
25	1529052	Secondary Lock	1
25	1330438	Socket (Terminal)	6
26	1329150	Connector (End Cap)	1
26	1329151	Secondary Lock	1
26	1327164	Plug	2
27	1329152	Connector (Coolant Level)	1
27	1329151	Secondary Lock	1
27	1330281	Terminal	2
27	1402888	Seal	2
28	1525577	Connector (End Cap)	1
29	1489656	Connector (Bus Terminal)	1
29	1489657	Secondary Lock	1
29	1330438	Socket (Terminal)	4
30	1493465	Connector (Key Switch)	1

**WIRE HARNESS
RH CHASSIS
YANMAR 2.6L AND 3.3L, DIESEL**

ITEM	PART NO.	DESCRIPTION	QTY
30	1330414	Secondary Lock	1
30	1330437	Terminal (Pin)	2
31	1490242	Connector (Key Switch)	1
31	1490243	Secondary Lock	1
31	1330438	Socket (Terminal)	2
32	1534282	Clip	4
33	1500899	Clip	1
34	1502627	Connector (To Transmission Harness)	1
34	1330438	Socket (Terminal)	16
34	1484377	Plug	7
35	1531501	Connector (To Engine Harness)	1
35	1330438	Socket (Terminal)	13
35	1330439	Plug	1
35	1484377	Plug	6
35	1554359	Terminal	3
35	1463139	Terminal	6
36	1514602	Connector (To Lights/Cab Harness)	1
36	1514603	Secondary Lock	1
36	1554359	Terminal	4
37		(End Cap)	
37	1514597	Connector	1
37	1330439	Plug	4
38		(End Cap)	
38	1480187	Connector	1
38	1330439	Plug	2
39	1545202	Connector (Accessory 1)	1
39	1554359	Terminal	2
39	1546697	Secondary Lock	1
40	1402815	Clip	2
41	1587778	Clip	4
42	1509888	Clip	2
43	1525569	Connector (Vehicle System Manager)	1
43	1530037	Secondary Lock	1
43	1463139	Terminal	11
43	1484377	Plug	1

WIRE HARNESS (Figure 4-19) ENGINE MAZDA 2.0L AND 2.2L, LPG

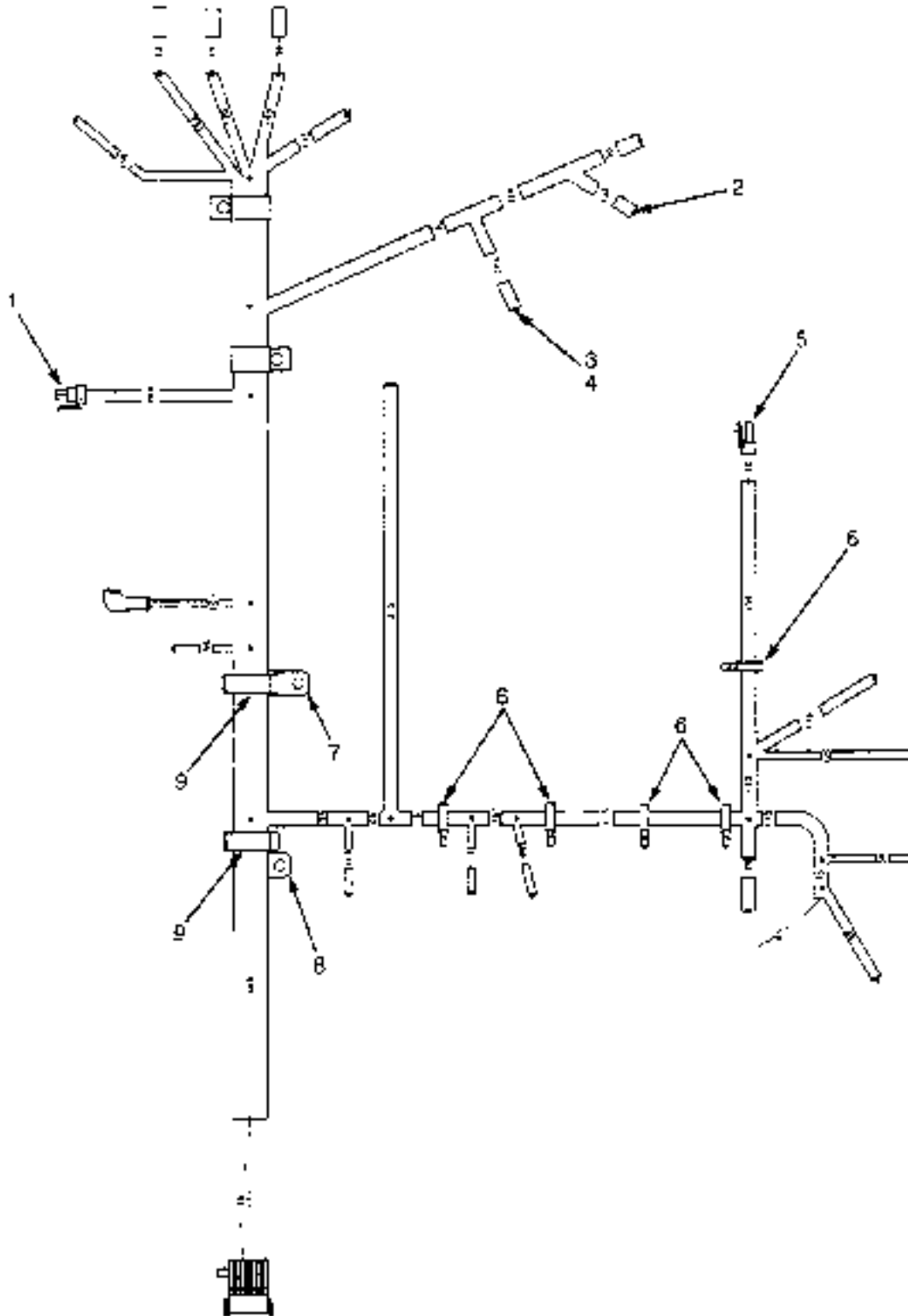


HP26-563

**WIRE HARNESS
ENGINE
MAZDA 2.0L AND 2.2L, LPG**

ITEM	PART NO	DESCRIPTION	QTY
	2065855	Wire Harness (LPG Engine).....	1
1	1499458	E-Ring	1
2	1402890	Terminal	1
3	1532775	Clip	2
4	1561518	Connector (Oxygen Sensor).....	1
5	1465466	Connector	2
6	1547482	Connector	2
7	1567333	Clip	2
8	1532777	Clip	4
9	1547482	Connector	1
10	1378652	Connector Body.....	1
11	1454862	Cover (With Seal) (Alternator)	1
12	1378416	Fuse (50 Amp).....	1
13	1643553	Fuse Holder	1
14	1558226	Bracket	1
15	1402816	Clip	1
16	1631237	Body (Igniter).....	1
17	1531239	Connector (Coil).....	1
18	1482651	Connector (Condenser).....	2
19	1531240	Body (Distributor)	1
20	1532761	Bracket	4
21	1329150	Connector (LPG Low Pressure Switch)	1
22	1474764	Connector (Idle LPG Solenoid)	1
23	1465469	Receptacle (Air Filter Restriction).....	1
24	1465468	Connector (Air Filter Restriction Sensor)	1
25	1474763	Connector (Main LPG Solenoid)	1
26	1327957	Connector (Oil Pressure Sensor)	1
27	1520864	Box (Alternator).....	1
28	129888	Terminal.....	1
29	1323586	Connector (Coolant Temperature).....	1
30	1308259	Connector Body (Alternator)	1
31	1532776	Clip	1
32	1560441	Connector (MAP Sensor)	1
33	1531891	Connector (Throttle Position Sensor)	1
34	1531231	Connector (Governor)	1
35	1482654	Connector (Injector).....	1
36	1547479	Housing	1
37	1500899	Clip	1
38	1558228	Bracket	2
39	1531502	Connector (Chassis Harness)	1
40	1581313	Connector (Starter)	1
41	1581315	Terminal.....	1

WIRE HARNESS (Figure 4-20) ENGINE GM 2.4L, LPG

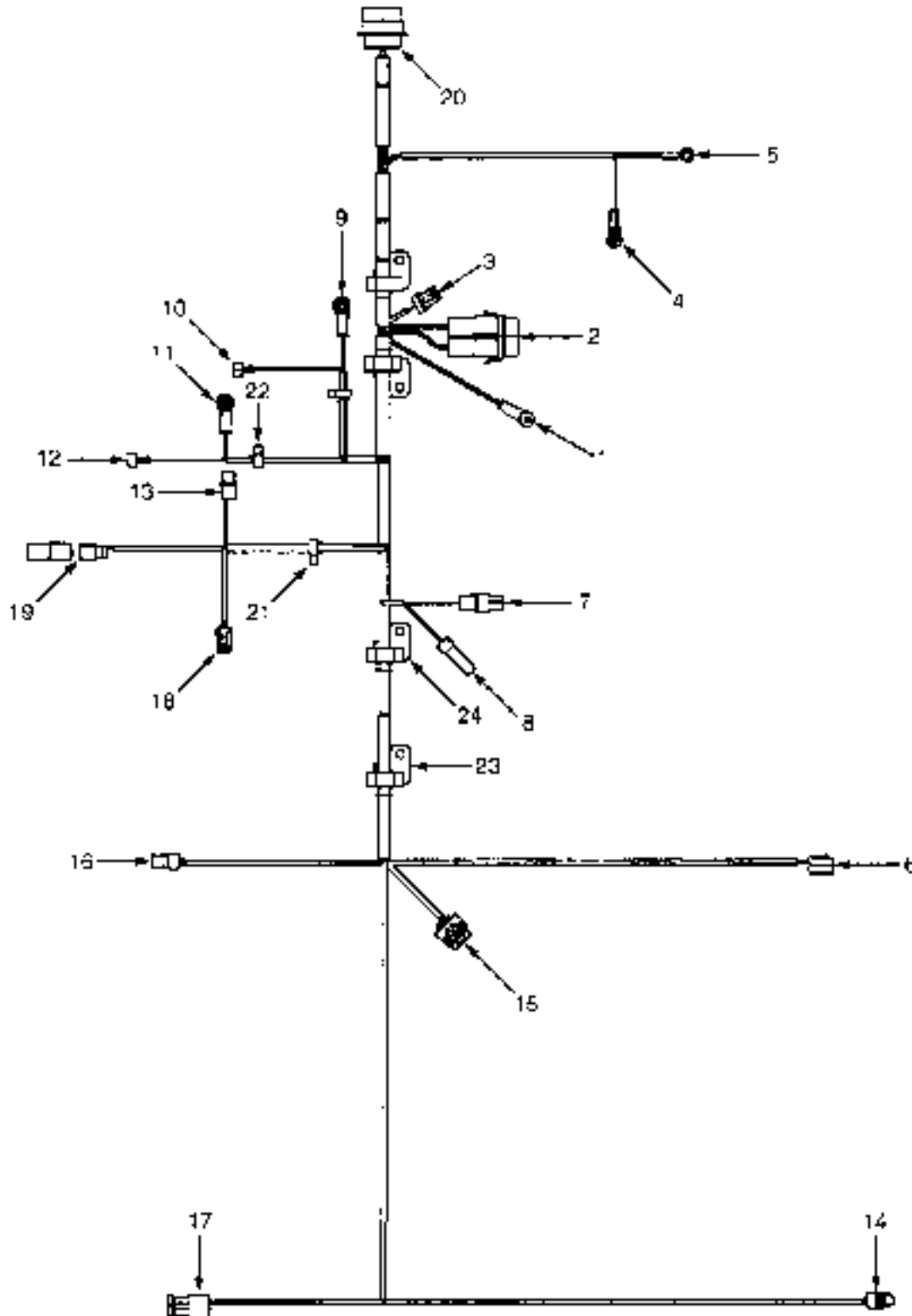


9PC00319

**WIRE HARNESS
ENGINE
GM 2.4L, LPG**

ITEM	PART NO.	DESCRIPTION	QTY
	2053099	Wire Harness (Engine).....	1
1	1327957	Connector	1
2	1327164	Plug	1
3	1485469	Receptacle	1
4	1323578	Pin	1
5	1323588	Connector	1
6	1509900	Clip	5
7	1532759	Bracket	1
8	1532758	Bracket	1
9	1532770	Clip	3

WIRE HARNESS (Figure 4-21) ENGINE YANMAR 2.6L AND 3.3L, DIESEL

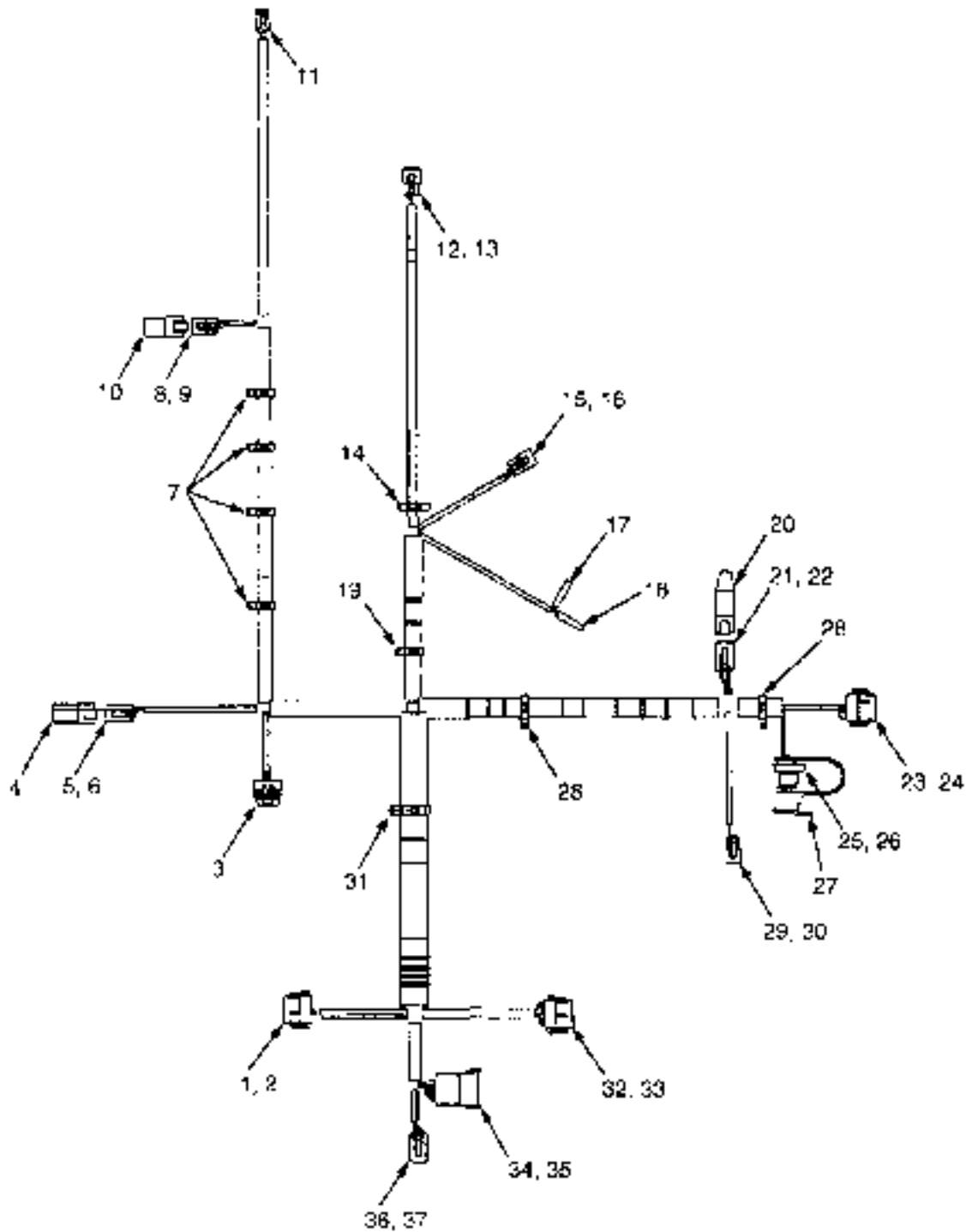


HPD1148D

**WIRE HARNESS
ENGINE
YANMAR 2.6L AND 3.3L, DIESEL**

ITEM	PART NO.	DESCRIPTION	QTY
	2060844	Wire Harness (Engine)	1
1	1559049	Terminal (Glow Plug)	1
1	190382	Boot	1
2	1454860	Connector (Fuse)	1
2	1392695	Connector	2
2	1392694	Fuse Connector	2
2	1454829	Fuse (60 Amp)	1
2	1454862	Cover (With Seal)	1
3	1546673	Connector (Engine RPM Sensor)	1
3	1323576	Terminal	3
4	1559049	Terminal (Starter Solenoid)	1
4	190382	Boot	1
5	148611	Terminal (Starter Stud)	1
6	1547368	Connector (Alternator)	1
6	1565098	Fitting	2
7	1582484	Connector (Fuel Shut-Off Solenoid)	1
8	1582486	Connector (Cold Start Aid)	1
9	1521328	Terminal (Relay Power To Glow Plugs)	1
9	190383	Boot	1
10	325789	Fitting (Relay Ground)	1
11	1521328	Terminal (Fused Power Positive)	1
11	190383	Boot	1
12	325789	Fitting (Relay Signal)	1
13	1547369	Connector (Fuel Filter/Water Separator)	1
14	1476077	Connector (Fuel Level Sensor)	1
14	1323576	Terminal	2
15	1525584	Connector (Throttle Position Sensor)	1
15	1532571	Terminal	6
16	1323588	Connector (Water Temperature Sensor)	1
16	1323576	Terminal	2
17	1465469	Receptacle (Air Filter Sensor)	1
17	1323578	Pin	2
17	1402888	Seal	2
17	1498416	Terminal	2
18	1327957	Connector (Low Engine Oil Pressure Switch)	1
18	1532571	Terminal	3
19	1330419	Connector (Pul. Actuator)	1
19	1330436	Terminal	2
19	1330424	Secondary Lock	1
19	1351881	Connector	1
20	1531502	Connector (Engine To Chassis)	1
20	1484709	Terminal (Pin)	3
20	1330437	Terminal (Pin)	19
20	1330439	Plug	7
21	1500901	Clip	1
22	1509888	Clip	2
23	1532776	Clip	4
24	1532761	Bracket	4

WIRE HARNESS (Figure 4-22) COWL



HP001584

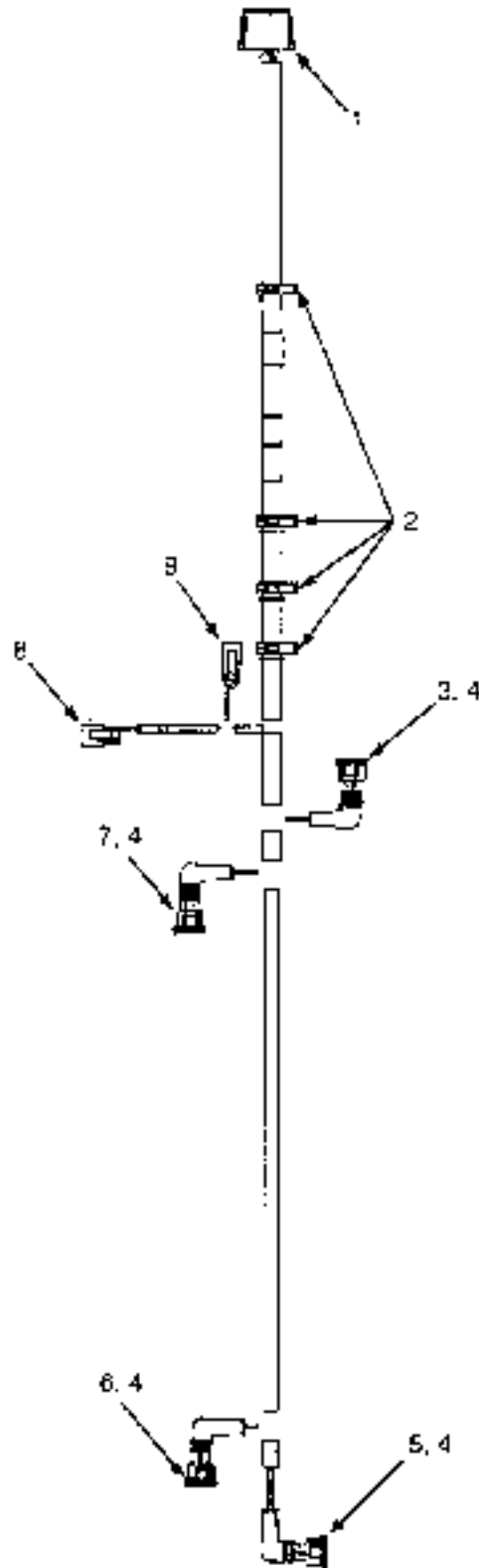
**WIRE HARNESS
COWL**

ITEM	PART NO.	DESCRIPTION	QTY
	2070269	Wire Harness.....	1
	1525588	Connector (Vehicle System Manager).....	1
	1483139	Terminal.....	10
	1484377	Plug.....	2
2	1529048	Secondary Lock.....	1
3	1525584	Connector (Accelerator Pedal).....	1
3	1532571	Terminal.....	6
4	1525573	Connector.....	1
5	1489658	Connector (To Mast Harness).....	1
5	1330438	Socket (Terminal).....	4
6	1489657	Secondary Lock.....	1
7	1509890	Clip.....	4
8	1484397	Connector (To Mast Harness).....	1
8	1330438	Socket (Terminal).....	3
9	1483194	Secondary Lock.....	1
10	1351682	End Cap.....	1
11	1327957	Connector (Brake Pressure).....	1
11	1532571	Terminal.....	3
12	1484397	Connector (Brake Pedal).....	1
12	1330438	Socket (Terminal).....	3
13	1483194	Secondary Lock.....	1
14	1402816	Clip.....	1
15	1484397	Connector (Park Brake).....	1
15	1330438	Socket (Terminal).....	3
16	1483194	Secondary Lock.....	1
17	1324310	Terminal.....	1
17	1568227	Terminal (Optional).....	1
17	1324309	Sleeve.....	1
17	1566078	Seal (Optional).....	1
18	1324310	Terminal.....	1
18	1568227	Terminal (Optional).....	1
18	1324309	Sleeve.....	1
18	1566078	Seal (Optional).....	1
19	1534828	Clip.....	1
20	1525577	Connector.....	1
21	1489858	Connector (Bus Terminal 1).....	1
21	1330438	Socket (Terminal).....	4
22	1489657	Secondary Lock.....	1
23	1525587	Connector (Display).....	1
23	1483139	Terminal.....	5
23	1484377	Plug.....	7
24	1529048	Secondary Lock.....	1
25	1566116	Connector (Diagnostic).....	1
25	1330438	Socket (Terminal).....	3
26	1532664	Secondary Lock.....	1
27	1566117	Dust Cap.....	1
28	1500899	Clip.....	2
29	1490242	Connector (Horn Button).....	1
29	1330438	Socket (Terminal).....	2
30	1490243	Secondary Lock.....	1
31	1534282	Clip.....	1

**WIRE HARNESS
COWL**

ITEM	PART NO.	DESCRIPTION	QTY
32	1525570	Connector (Vehicle System Manager)	1
32	1463139	Terminal	7
32	1484377	Plug	5
33	1529046	Secondary Lock	1
34	1500925	Connector (RH Chassis)	1
34	1330437	Terminal (Pin)	9
34	1330439	Plug	3
35	1352603	Secondary Lock	1
36	1489556	Connector (RH Chassis)	1
36	1330438	Socket (Terminal)	4
37	1489857	Secondary Lock	1

WIRE HARNESS (Figure 4-23) ELECTRONIC CONTROL VALVE THREE FUNCTION

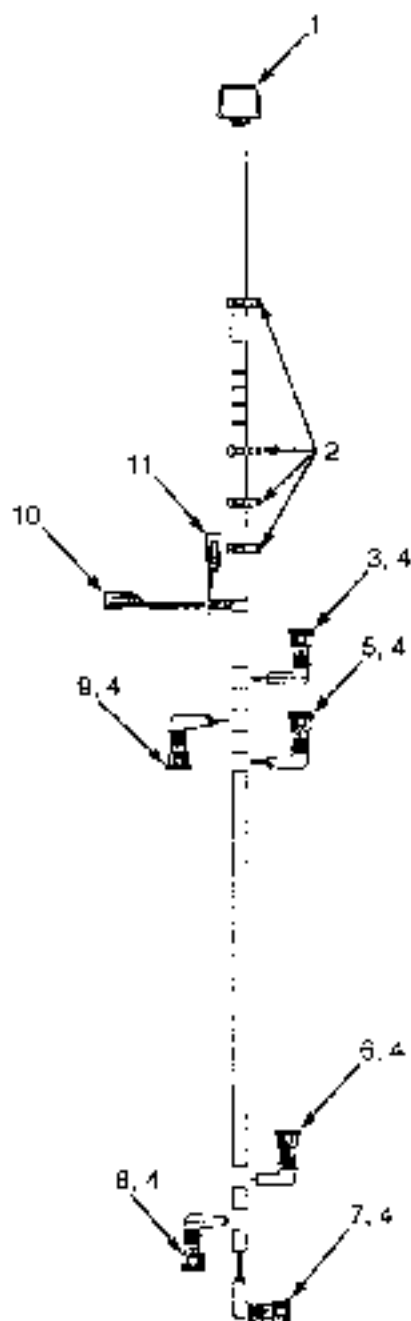


MP081589

**WIRE HARNESS
ELECTRONIC CONTROL VALVE
THREE FUNCTION**

ITEM	PART NO.	DESCRIPTION	QTY
	2060198	Wire Harness (Electronic Control Valve)	1
1	1525564	Connector (Vehicle System Manager)	1
1	1330438	Socket (Terminal)	9
1	1330439	Plug	3
1	1525564	Connector	1
1	1500913	Secondary Lock	1
2	1402815	Clip	4
3	1531162	Connector (2A Tilt)	1
3	1562649	Seal	2
3	1402814	Terminal	2
4	190383	Boot	4
5	1531162	Connector (2B Tilt)	1
5	1562649	Seal	2
5	1402814	Terminal	2
6	1493435	Socket (3B Auxiliary 1)	1
6	1562649	Seal	2
6	1402814	Terminal	2
7	1493435	Socket (3A Auxiliary 1)	1
7	1562649	Seal	2
7	1402814	Terminal	2
8	1490242	Connector (Lift)	1
8	1330438	Socket (Terminal)	2
8	1490243	Secondary Lock	1
9	1490242	Connector (Lower)	1
9	1330438	Socket (Terminal)	2
9	1490243	Secondary Lock	1

WIRE HARNESS (Figure 4-24) ELECTRONIC CONTROL VALVE FOUR FUNCTION

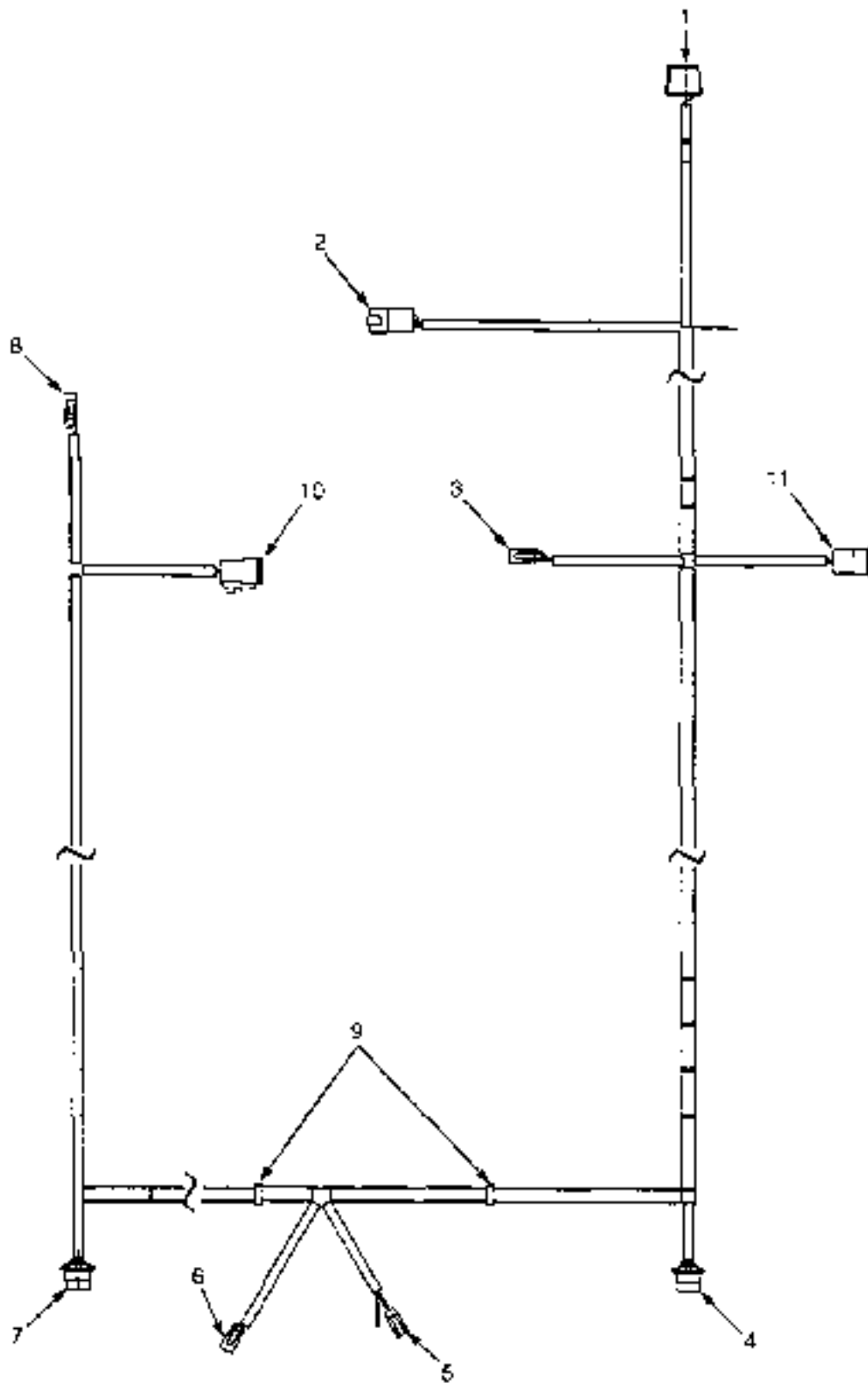


HP041001

**WIRE HARNESS
ELECTRONIC CONTROL VALVE
FOUR FUNCTION**

ITEM	PART NO.	DESCRIPTION	QTY
	2058909	Wire Harness (Electronic Control Valve).....	1
*	1525584	Connector (Vehicle System Manager).....	1
1	1330438	Socket (Terminal).....	12
1	1500913	Secondary Lock.....	1
2	1402815	Clip.....	4
3	1531162	Connector (2A Tilt).....	1
3	1562849	Seal.....	2
3	1402814	Terminal.....	2
4	190383	Boot.....	6
5	1493447	Socket Housing (4A Auxiliary 2).....	1
5	1562849	Seal.....	2
5	1402814	Terminal.....	2
6	1493447	Socket Housing (4B Auxiliary 2).....	1
6	1562849	Seal.....	2
6	1402814	Terminal.....	2
7	1531162	Connector (2B Tilt).....	1
7	1562849	Seal.....	2
7	1402814	Terminal.....	2
8	1493435	Socket (3B Auxiliary 1).....	1
8	1562849	Seal.....	2
8	1402814	Terminal.....	2
9	1493435	Socket (3A Auxiliary 1).....	1
9	1562849	Seal.....	2
9	1402814	Terminal.....	2
10	1490242	Connector (Lift).....	1
10	1330438	Socket (Terminal).....	2
10	1490243	Secondary Lock.....	1
11	1490242	Connector (Lower).....	1
11	1330438	Socket (Terminal).....	2
11	1490243	Secondary Lock.....	1

WIRE HARNESS (Figure 4-25) LIGHTS

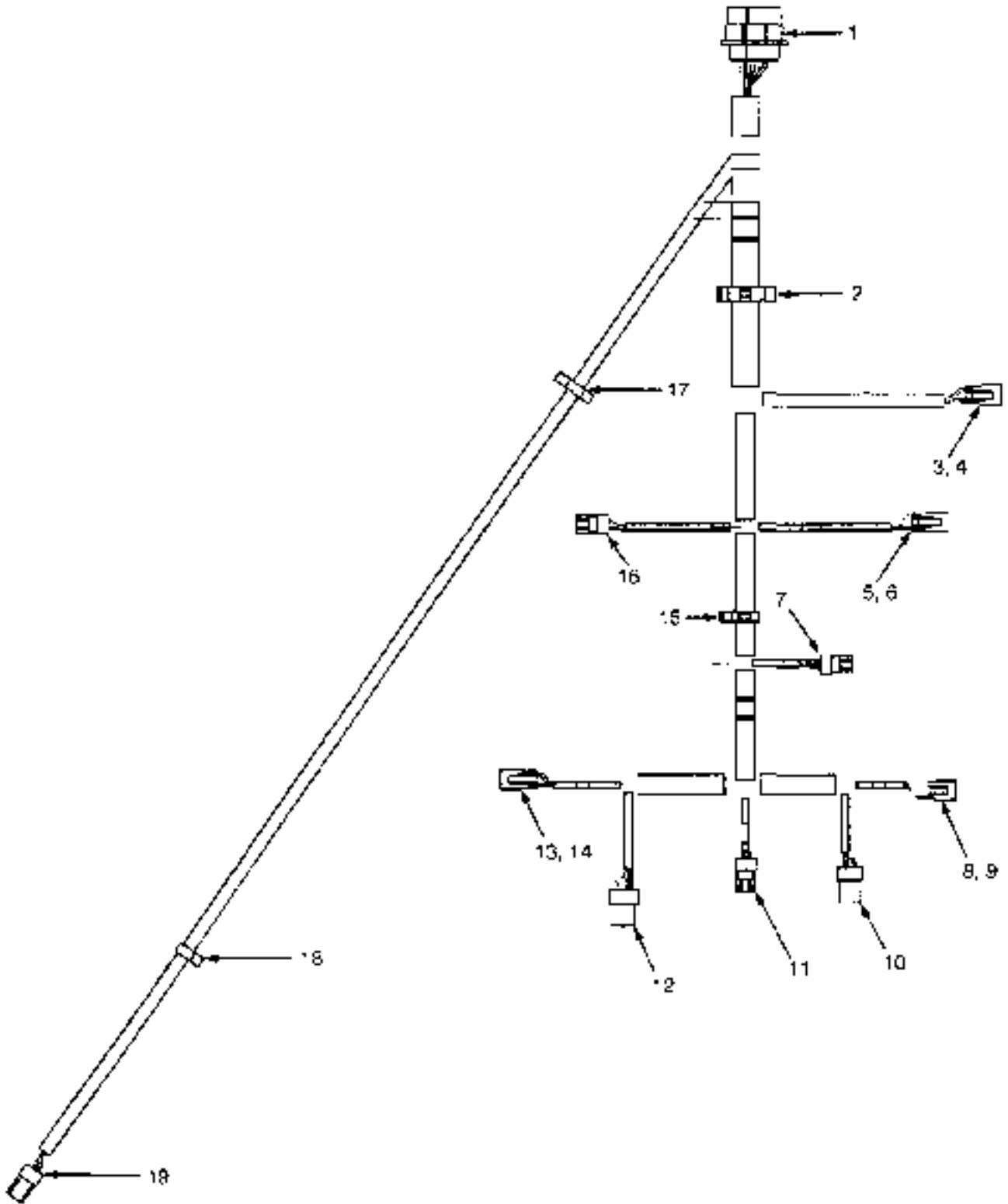


HP081645

**WIRE HARNESS
LIGHTS**

ITEM	PART NO.	DESCRIPTION	QTY
	2074737	Wire Harness (Lights).....	1
1	1525586	Connector (Vehicle System Manager).....	1
1	1330439	Plug.....	7
1	1330438	Socket (Terminal).....	5
1	1500913	Secondary Lock.....	1
2	1514597	Connector (Chassis Harness).....	1
2	1484709	Terminal (Pin).....	4
2	1514598	Secondary Lock.....	1
3	1490242	Connector (RH Front Work Lights).....	1
3	1363886	Socket.....	2
3	1490243	Secondary Lock.....	1
4	1531486	Connector (RH Rear Signal Lights).....	1
4	1330355	Terminal.....	5
4	1330356	Seal.....	1
4	1482668	Plug.....	1
4	930591	Lock.....	1
4	1476108	Seal.....	4
5	1484557	Housing (Socket) (Strobe Lights).....	1
5	1484558	Retainer (Socket).....	1
5	1463139	Terminal.....	2
6	1490242	Connector (Rear Work Lights).....	1
6	1363886	Socket.....	2
6	1490243	Secondary Lock.....	1
7	1531486	Connector (LH Rear Signal Lights).....	1
7	1330355	Terminal.....	5
7	1330356	Seal.....	1
7	1482668	Plug.....	1
7	930591	Lock.....	1
7	1476108	Seal.....	4
8	1490242	Connector (LH Front Work Lights).....	1
8	1363886	Socket.....	2
8	1490243	Secondary Lock.....	1
9	1509890	Clip.....	2
10	1484397	Connector (LH Front Signal).....	1
10	1330438	Socket (Terminal).....	3
11	1484397	Connector (RH Front Signal).....	1
11	1330438	Socket (Terminal).....	3

WIRE HARNESS (Figure 4-26) TRANSMISSION DUAL SPEED

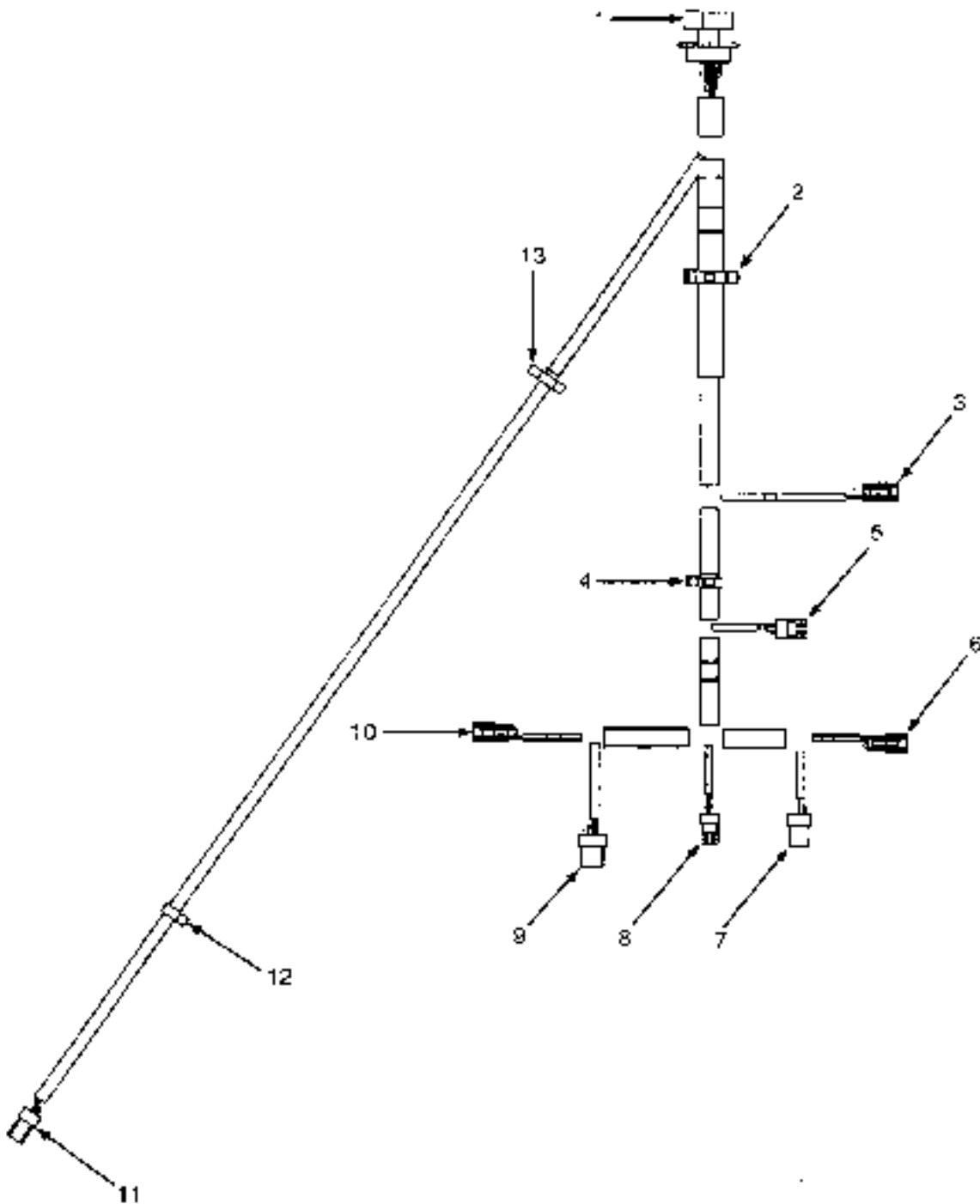


HP081843

**WIRE HARNESS
TRANSMISSION
DUAL SPEED**

ITEM	PART NO.	DESCRIPTION	QTY
	2075644	Wire Harness (Transmission)	1
1	1500919	Connector (To Chassis)	1
1	1330437	Terminal (Pin)	17
1	1484377	Plug	6
2	1402813	Clip	1
3	1490242	Connector (Clutch Forward 2)	1
3	1330438	Socket (Terminal)	2
4	1490243	Secondary Lock	1
5	1490242	Connector (Clutch Forward 1)	1
5	1330438	Socket (Terminal)	2
6	1490243	Secondary Lock	1
7	1327957	Connector (Forward 1 Pressure)	1
7	1532571	Terminal	3
8	1490242	Connector (Clutch Reverse 1)	1
8	1330438	Socket (Terminal)	2
9	1490243	Secondary Lock	1
10	1546673	Connector (Turbine Shaft RPM)	1
10	1323576	Terminal	3
11	1327957	Connector (Reverse 1 Pressure)	1
11	1532571	Terminal	3
12	1568156	Connector (Tail Shaft RPM)	1
12	1323576	Terminal	4
13	1490242	Connector (Transmission Check Valve)	1
13	1330438	Socket (Terminal)	2
14	1490243	Secondary Lock	1
15	1534828	Clip	1
16	1327957	Connector (Forward 2 Pressure)	1
16	1532571	Terminal	3
17	1402816	Clip	1
18	1509888	Clip	1
19	1402868	Connector (Transmission Temperature)	1
19	1323576	Terminal	2

WIRE HARNESS (Figure 4-27) TRANSMISSION SINGLE SPEED



4PCB1147

**WIRE HARNESS
TRANSMISSION
SINGLE SPEED**

ITEM	PART NO.	DESCRIPTION	QTY
	2070731	Wire Harness (Transmission)	1
1	1500919	Connector (To Chassis)	1
1	1330437	Terminal (Pin)	4
1	1330439	Plug	9
2	1402813	Clip	1
3	1490242	Connector (Clutch Forward 1)	1
3	1330438	Socket (Terminal)	2
3	1490243	Secondary Lock	1
4	1402816	Clip	1
5	1327957	Connector (Forward 1 Pressure)	1
5	1532571	Terminal	3
6	1490242	Connector (Clutch Reverse 1)	1
6	1330438	Socket (Terminal)	2
6	1490243	Secondary Lock	1
7	1548673	Connector (Turbine Shaft RPM)	1
7	1323576	Terminal	3
8	1327957	Connector (Reverse 1 Pressure)	1
8	1532571	Terminal	3
9	1558156	Connector (Tail Shaft RPM)	1
9	1323576	Terminal	4
10	1490242	Connector (Transmission Charge Valve)	1
10	1490243	Secondary Lock	1
10	1330438	Socket (Terminal)	2
11	1402868	Connector (Transmission Temperature)	1
11	1323576	Terminal	2
12	1508868	Clip	1
13	1402816	Clip	1

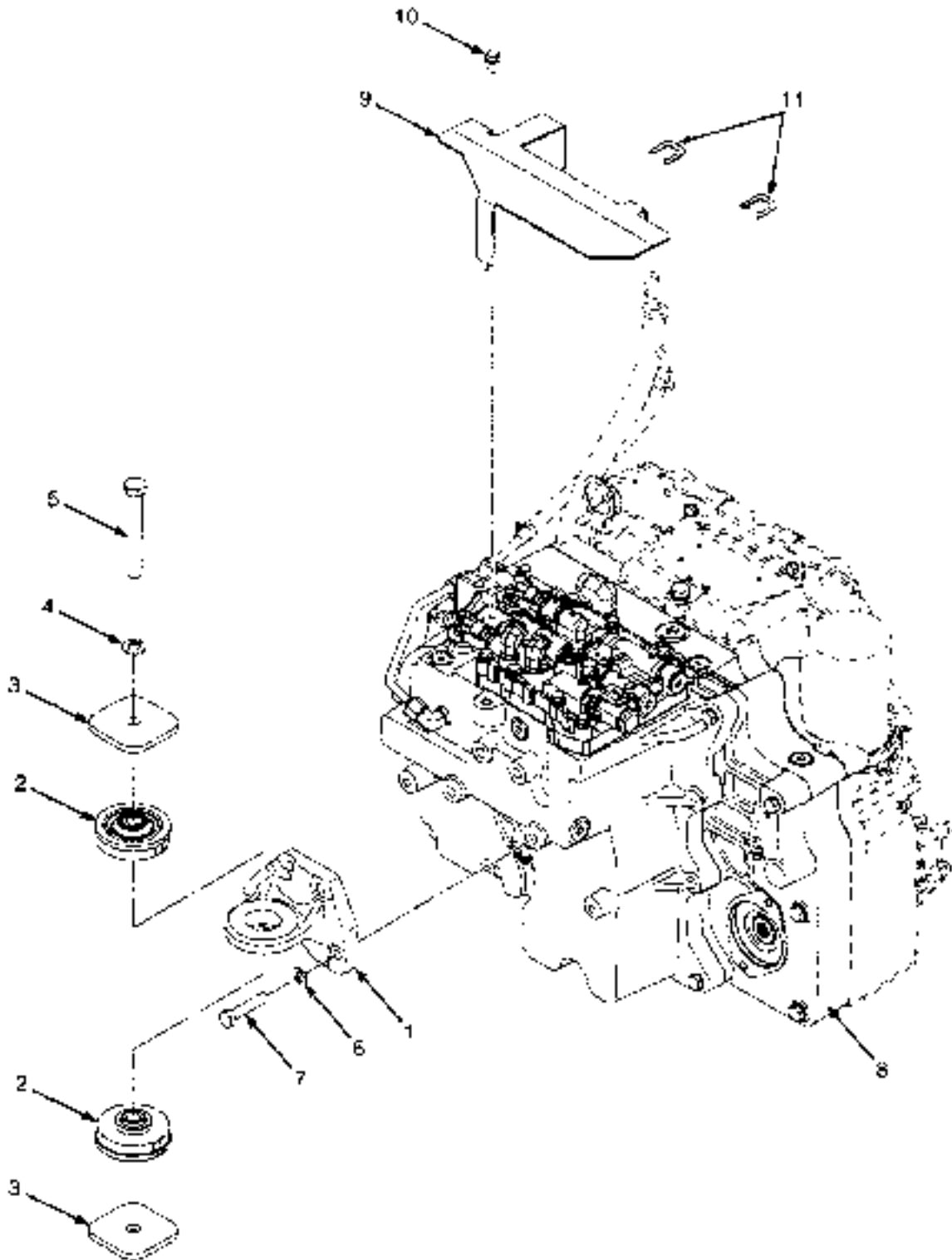
5

TRANSMISSION

**SECTION 5
TRANSMISSION**

DESCRIPTION	PAGE
CONTROL VALVE TRANSMISSION	5-34
FORWARD CLUTCH SINGLE SPEED TRANSMISSION	5-18
FORWARD CLUTCH, HIGH DUAL SPEED TRANSMISSION	5-28
INPUT CLUTCH, LOW DUAL SPEED TRANSMISSION	5-32
REVERSE CLUTCH DUAL SPEED TRANSMISSION	5-30
SINGLE SPEED TRANSMISSION	5-20
TORQUE CONVERTER.....	5-4
TRANSMISSION	
DUAL SPEED	
SHEET 1 OF 2.....	5-22
SHEET 2 OF 2.....	5-26
SINGLE SPEED	
SHEET 1 OF 2.....	5-12
SHEET 2 OF 2.....	5-16
TRANSMISSION COOLING	
MAZDA 2.0L AND 2.2L, LPG	
SERPENTINE AND SQUARE WAVE WITHOUT AIR COOLER.....	5-6
MAZDA 2.0L AND 2.2L/GM 2.4L, LPG	
SQUARE WAVE WITH AIR OIL COOLER.....	5-8
YANMAR 2.6L AND 3.3L	
DIESEL.....	5-10
TRANSMISSION MOUNTING.....	5-2

TRANSMISSION MOUNTING (Figure 5-1)

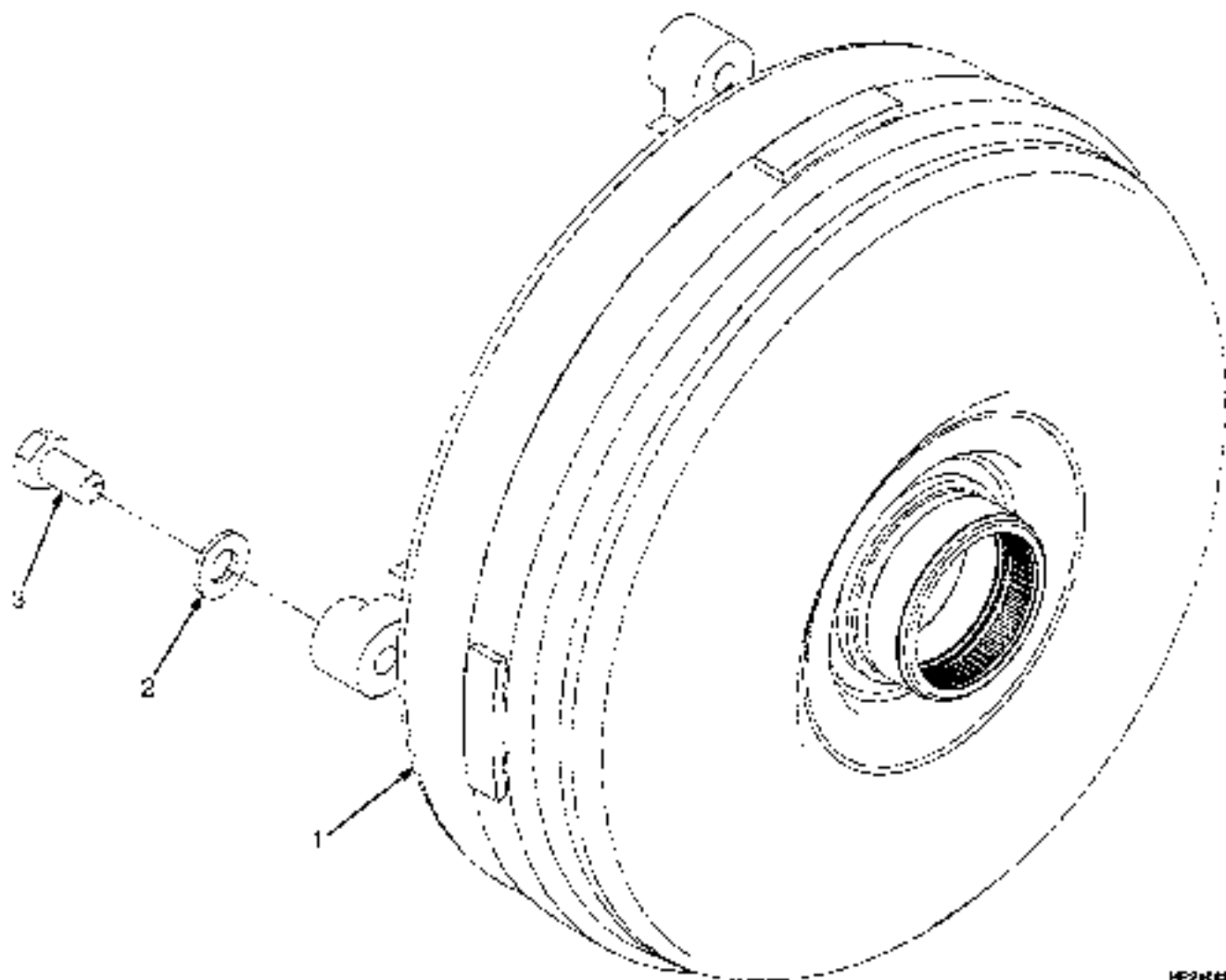


HW211181

TRANSMISSION MOUNTING

ITEM	PART NO.	DESCRIPTION	QTY
1	1501274	Bracket	1
2	2070147	Isolator	2
3	1566329	Washer	2
4	292685	Lockwasher	1
5	293697	Capscrew	1
6	292683	Lockwasher	4
7	292531	Capscrew	4
8	1529896	Transmission Assembly (Dual Speed) (#7 Figure 5-10, #8 Figure 5-11)	1
8	1550565	Transmission Assembly (#9 Figure 5-6, #10 Figure 5-7)	1
9	1569768	Shield	1
10	1527879	Capscrew	1
11	1380849	Trim	2

TORQUE CONVERTER (Figure 5-2)



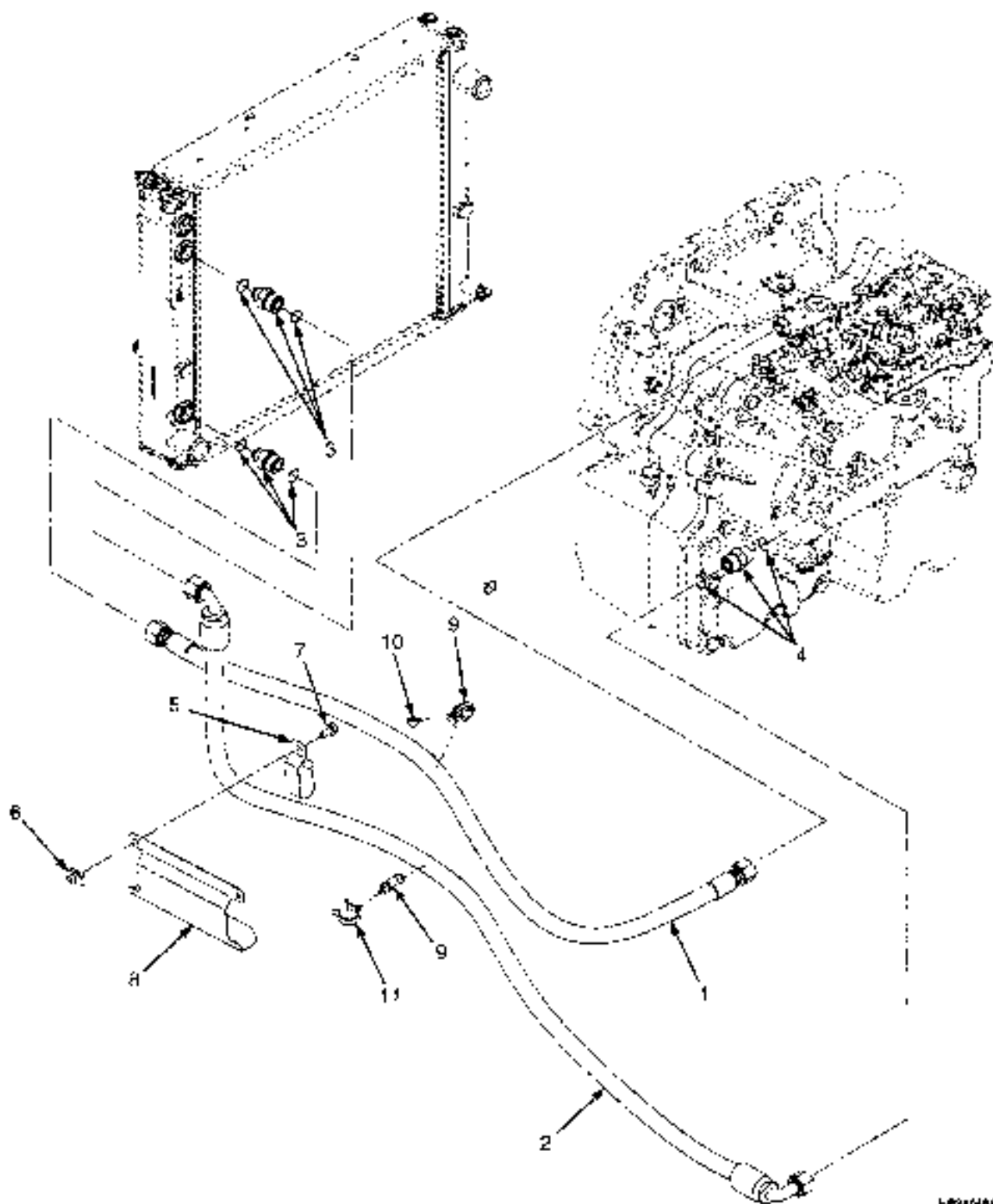
HP24482

KEY:

- A: For Use With Mazda Engines
- B: For Use With GM Engines
- C: For Use With Yanmar Diesel Engines

ITEM	PART NO.	DESCRIPTION	QTY		
			A	B	C
1	1553122	Torque Converter	1
1	1553125	Torque Converter	1	..
1	1553123	Torque Converter	1
2	298420	Washer	4	4	4
3	154'821	Capcrew	4	..	4
3	309740	Capcrew	4	..

TRANSMISSION COOLING (Figure 5-3) MAZDA 2.0L AND 2.2L, LPG SERPENTINE AND SQUARE WAVE WITHOUT AIR COOLER



1-P21048E

**TRANSMISSION COOLING
MAZDA 2.0L AND 2.2L, LPG
SERPENTINE AND SQUARE WAVE WITHOUT AIR COOLER**

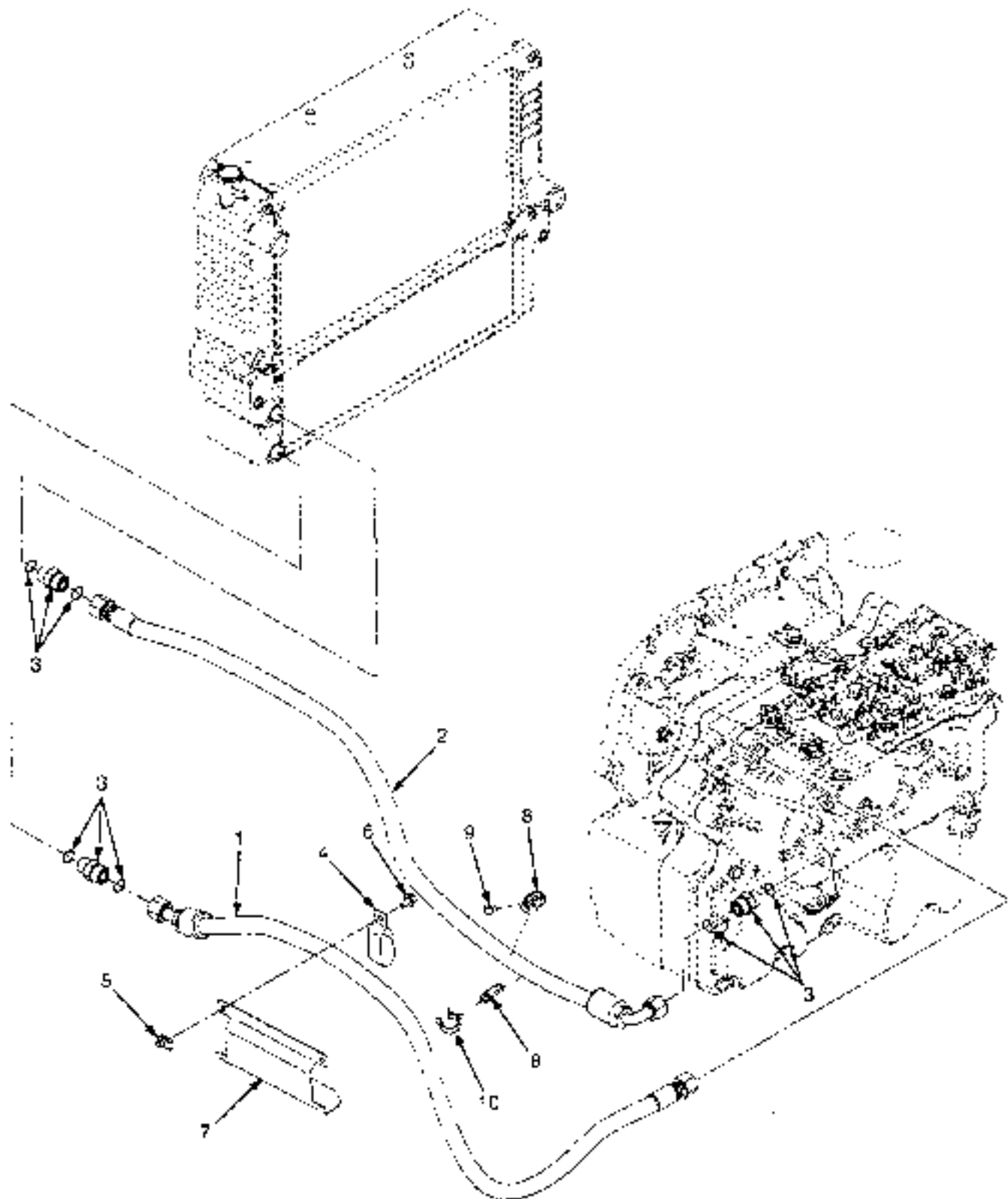
KEY:**A: With Serpentine Radiator****B: With Square Wave Radiator, Without Air Oil Cooler**

ITEM	PART NO.	DESCRIPTION	QTY	
			A	B
1	2075249	Hose	1	1
1	2075844	Hose
2	2070227	Hose	1	1
2	2075846	Hose
3	a 1565127	Fitting	2
3	16484	O-Ring	2
3	252729	O-Ring	2
4	1466749	Fitting	1	..
4	16485	O-Ring	1	..
4	252729	O-Ring	1	1
5	1562648	Clip	2	2
6	1490237	Clip Nut	2	2
7	1527879	Capscrew	2	2
8	2075787	Heat Shield	1	1
8	1569465	Clamp	2	2
10	1561871	Clamp (Swivel)	1	1
11	1542438	Clamp	1	1

FOOTNOTES:

a Fittings And O-Rings Supplied With Serpentine Radiator.

TRANSMISSION COOLING (Figure 5-4) MAZDA 2.0L AND 2.2L/GM 2.4L, LPG SQUARE WAVE WITH AIR OIL COOLER

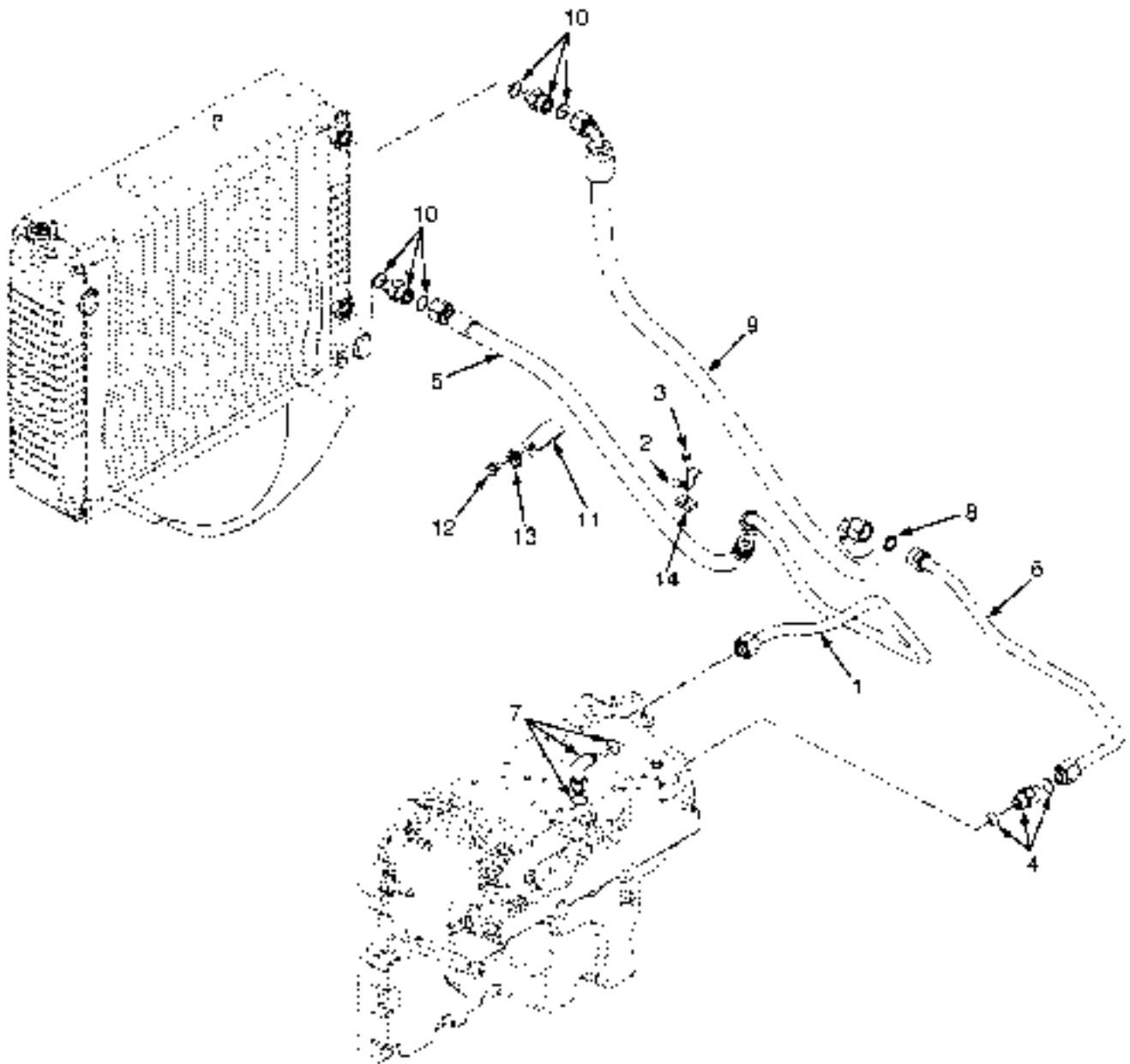


H#21046b

**TRANSMISSION COOLING
MAZDA 2.0L AND 2.2L/GM 2.4L, LPG
SQUARE WAVE WITH AIR OIL COOLER**

ITEM	PART NO.	DESCRIPTION	QTY
1	2075844	Hose	1
2	2075846	Hose	1
3	1488749	Fitting	3
3	16485	O-Ring	3
3	252729	O-Ring	3
4	1562648	C'p	1
5	1480237	C'p Nut	1
6	1527879	Capscrew	1
7	2075767	Heat Shield	1
8	1569465	C'amp	2
9	1561971	C'amp (Swivel)	1
10	1542436	C'amp	1

TRANSMISSION COOLING (Figure 5-5) YANMAR 2.6L AND 3.3L DIESEL

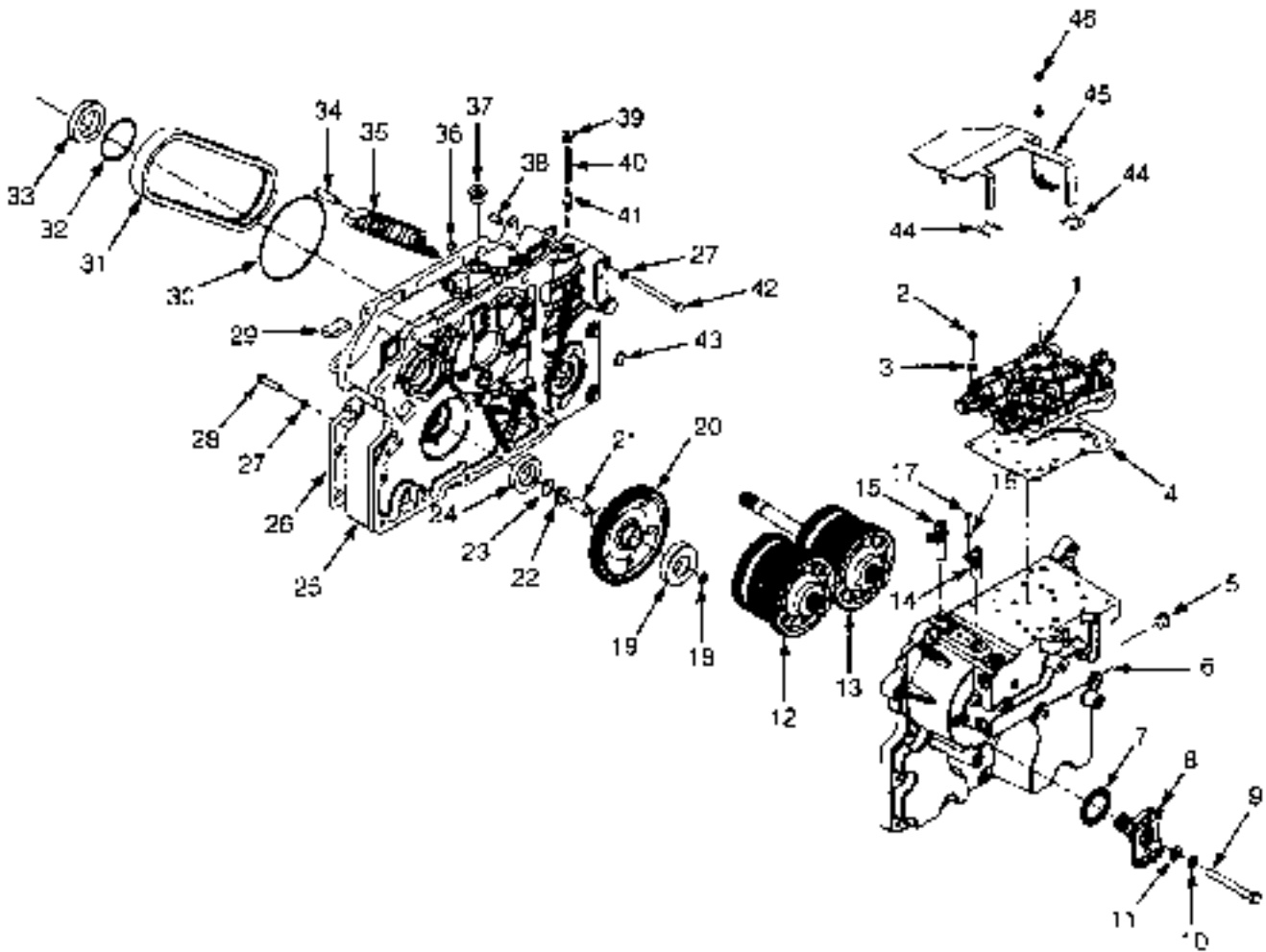


HF040628

**TRANSMISSION COOLING
YANMAR 2.6L AND 3.3L
DIESEL**

ITEM	PART NO.	DESCRIPTION	QTY
1	2067598	Tube	1
2	1567780	Clip	1
3	1527876	Capscrew	1
4	1486749	Fitting	1
4	16486	O-Ring	1
4	252729	O-Ring	1
5	2070228	Hose	1
6	2067597	Tube	1
7	1487067	Fitting	1
7	252729	O-Ring	1
7	16486	O-Ring	1
8	1562449	Flange Seal	1
9	2075551	Hose	1
10	1565127	Fitting	2
10	16484	O-Ring	2
10	252729	O-Ring	2
11	1562648	Clip	1
12	1527679	Capscrew	1
13	1480237	Clip Nut	1
14	1350215	Nut (For cover)	1

TRANSMISSION (Figure 5-6) SINGLE SPEED SHEET 1 OF 2

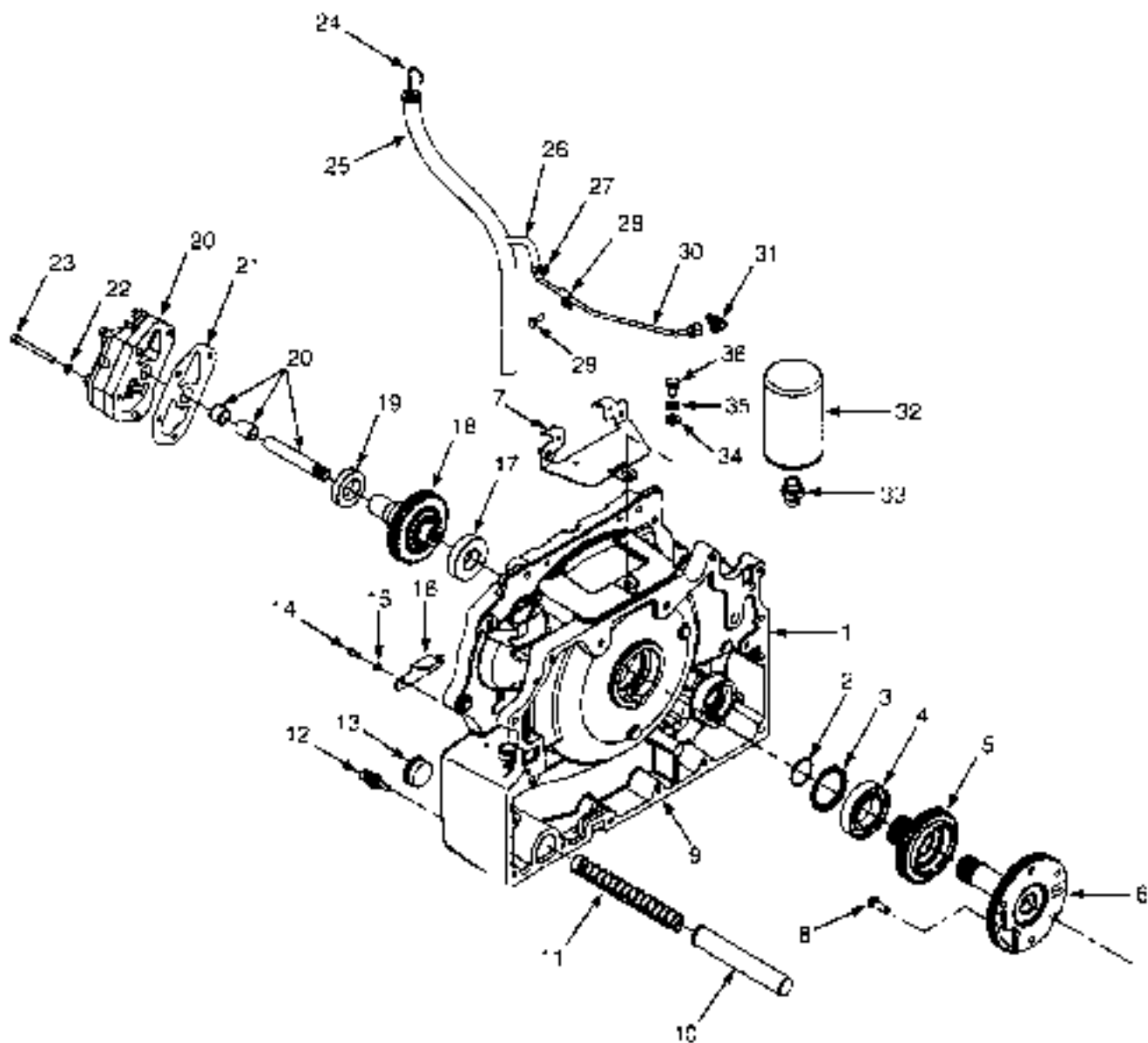


HP240493

**TRANSMISSION
SINGLE SPEED
SHEET 1 OF 2**

ITEM	PART NO.	DESCRIPTION	QTY
	a 1550535	Transmission Assembly	1
	c 1591281	Transmission Assembly (Dual Speed)	1
1	1570361	Control Valve (See Figure 5-15)	1
2	292509	Capscrew	11
3	320157	Washer	12
4	1570360	Gasket	1
5	233693	Fitting	1
5	16485	O-Ring	1
6	1550577	Housing (Transmission)	1
7	1547447	Oil Seal	1
8	1550578	Yoke (24 Tooth)	1
9	18595	Capscrew	1
10	15158	Lockwasher	1
11	15135	Washer	1
12	1595421	Clutch Pack Assembly (Counter/Reverse) (See Figure 5-9)	1
13	1595420	Clutch Pack Assembly (Input/Forward) (See Figure 5-8)	1
14	1541231	Sensor (Speed)	1
15	1541232	Sensor	1
16	292580	Lockwasher	2
17	292500	Capscrew	2
18	86229	Washer	1
19	43208	Bearing	1
20	1585745	Gear (Output)	1
21	1518851	Spacer	1
22	1518849	Nut	1
23	58916	Snap Ring	1
24	44308	Ball Bearing	1
25	1550575	Housing (Front Cover)	1
26	1550576	Gasket (Cover To Transmission Housing)	1
27	292662	Lockwasher	24
28	292516	Capscrew	4
29	334560	Magnet	2
30	16882	O-Ring	1
31	1494750	Chain (Drive Pump)	1
32	1544218	Sealing Ring	1
33	44310	Ball Bearing	1
34	303100	Pin	4
35	1553270	Snubber	2
36	1553475	O-Ring	1
37	222444	Fitting	1
37	16486	O-Ring	1
38	303150	Pin	4
39	235691	Fitting	7
39	16484	O-Ring	1
40	1525693	Compression Spring (Regulator)	1
41	1525692	Spool (Regulator)	1
42	1359458	Capscrew	16
43	1553403	O-Ring	4
44	1380849	Trim	2
45	1589768	Shield	1

TRANSMISSION (Figure 5-7) SINGLE SPEED SHEET 2 OF 2



HP10034

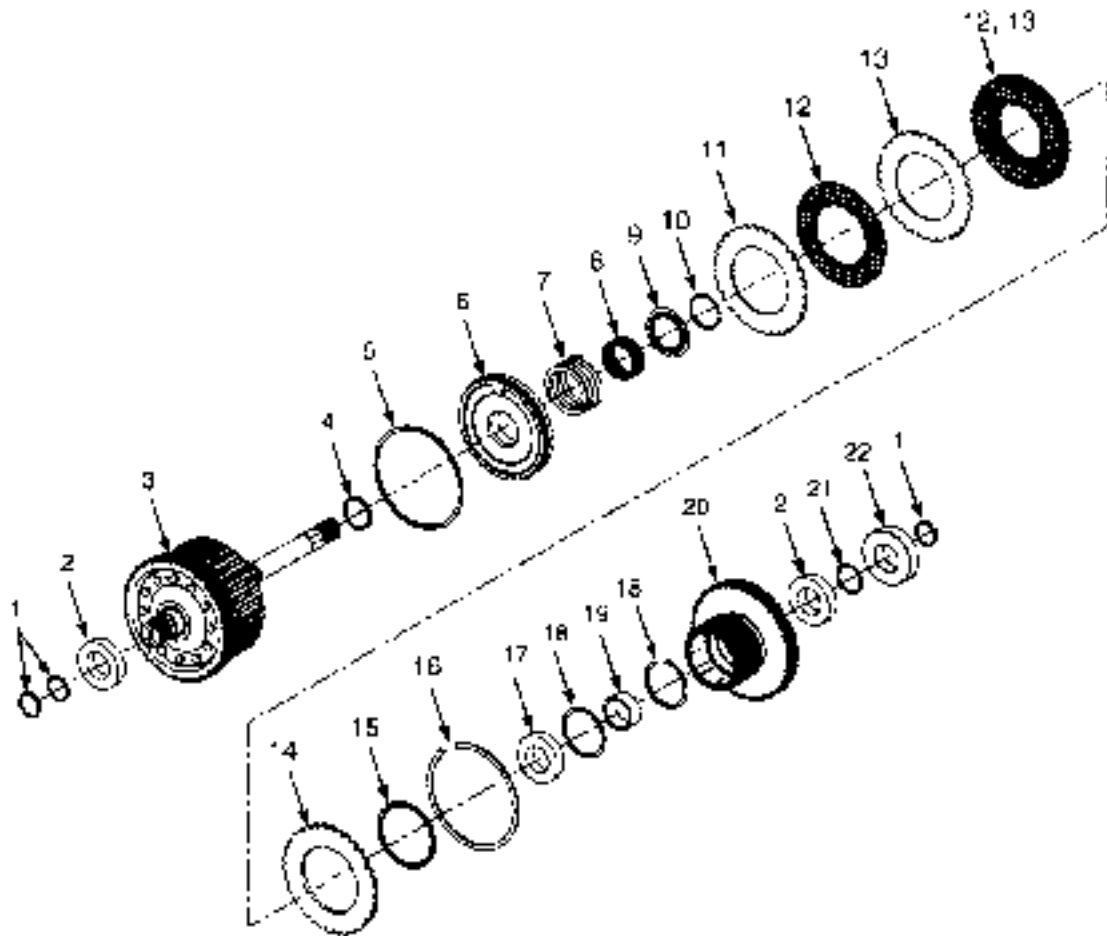
**TRANSMISSION
SINGLE SPEED
SHEET 2 OF 2**

ITEM	PART NO.	DESCRIPTION	QTY
	a 1550565	Transmission Assembly	1
	b 1591261	Transmission Assembly (Dual Speed)	1
1	1550566	Housing (Torque Converter)	1
2	145481	O-Ring	4
3	1544217	Oil Seal	4
4	1544216	Bearing	5
5	1541558	Sprocket	1
6	1550585	Stator Assembly	1
6	1518226	Bushing	1
7	1588189	Cover	1
8	136985	Capscrew	4
9	1550573	Gasket	1
10	1550571	Screen (Suction)	1
11	1550572	Spring (Suction Screen)	1
12	1515654	Sensor (Coolant Temperature)	1
13	188210	Fitting	1
13	18983	O-Ring	1
14	292500	Capscrew	2
15	292680	Lockwasher	2
16	1550567	Cover (Torque Converter Housing)	1
17	43207	Ball Bearing	1
18	1550574	Sprocket (Driven)	1
19	44307	Bearing	1
20	a 1529894	Charge Pump (20.5 CC/REV)	1
20	b 1552853	Charge Pump (27.0 CC/REV)	1
21	1525898	Gasket (Charge Pump)	1
22	292681	Lockwasher	7
23	298022	Capscrew	4
24	1516818	Dipstick	1
25	1566166	Tube (Dipstick)	1
26	168690	Hose	1
27	1589818	Clamp	2
28	164488	Clamp	1
29	136681	Capscrew	3
30	1566166	Tube	1
31	1487063	Fitting	1
31	16483	O-Ring	1
32	2075558	Filter	1
33	1566165	Fitting	1
34	320161	Washer	1
35	292683	Lockwasher	1
36	292526	Capscrew	1

FOOTNOTES:

- a Dry Brakes
b Wet Brakes

FORWARD CLUTCH (Figure 5-8) SINGLE SPEED TRANSMISSION

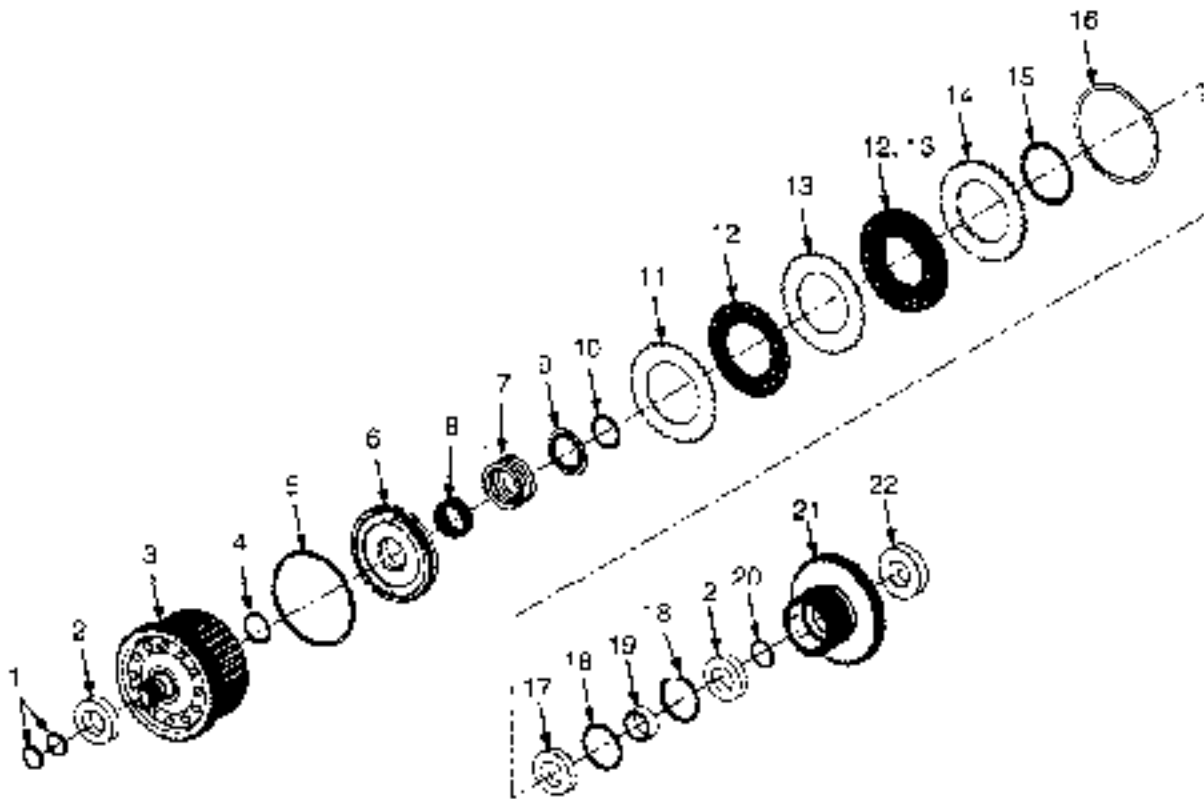


MF20000

**FORWARD CLUTCH
SINGLE SPEED TRANSMISSION**

ITEM	PART NO.	DESCRIPTION	QTY
	1595420	Clutch Pack Assembly (Input/Forward).....	1
1	..	Ring Seal.....	3
2	1581116	Bearing	2
3	1581104	Gear and Shaft Assembly	1
4	..	Ring Seal	1
5	..	Ring Seal	1
6	1552525	Piston	1
7	1581108	Spring.....	1
8	1581098	Spring.....	1
9	1581099	Spring Guide	1
10	1581100	Snap Ring.....	1
11	..	Conical Plate	1
12	..	Friction Plate	5
13	..	Separator Plate	4
14	1543094	Pressure Plate (5.8 mm)	1
14	1537449	Pressure Plate (6.0 mm)	1
14	1543096	Pressure Plate (5.6 mm)	1
14	1543097	Pressure Plate (5.4 mm)	1
14	1543095	Pressure Plate (5.2 mm)	1
15	..	O Ring	1
16	1537450	Snap Ring	1
17	124603	Bearing	1
18	1581107	Snap Ring.....	2
19	1581117	Spacer	1
20	1595427	Clutch Gear	1
21	1581105	Snap Ring.....	1
22	43207	Ball Bearing	1
	1595426	Clutch Plates and Seals Kit (Includes Items 1, 4-5, 11-13, 15)	1
	1543102	Clutch Pack Plates Kit (Includes Items 11-13)	1
	1595425	Clutch Pack Seals Kit (Includes Items 1, 4-5, 15).....	1

REVERSE CLUTCH (Figure 5-9) SINGLE SPEED TRANSMISSION

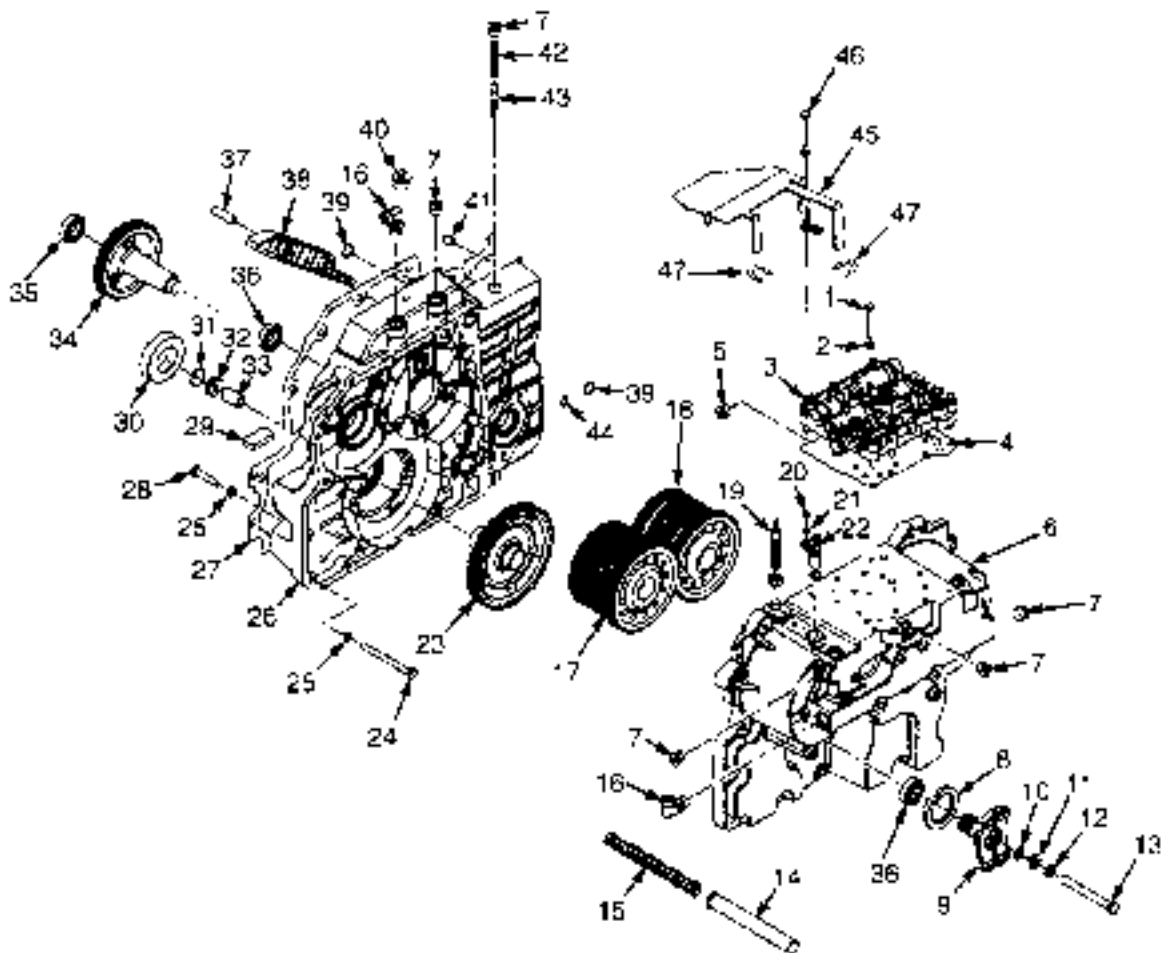


0P210001

**REVERSE CLUTCH
SINGLE SPEED TRANSMISSION**

ITEM	PART NO.	DESCRIPTION	QTY
	1595424	Clutch Pack Assembly (Counter/Reverse)	1
1	Seal	2
2	1581116	Bearing	2
3	1581114	Gear and Shaft Assembly	1
4	Seal	1
5	Seal	1
6	1652525	Piston	1
7	1581108	Spring	1
8	1581098	Spring	1
9	1581099	Spring Guide	1
10	1581100	Snap Ring.....	1
11	Conical Plate	1
12	Friction Plate	5
13	Separator Plate	4
14	1543094	Pressure Plate (5.8 mm)	1
14	1537449	Pressure Plate (6.0 mm)	1
14	1543096	Pressure Plate (5.6 mm)	1
14	1543097	Pressure Plate (5.4 mm)	1
14	1543098	Pressure Plate (5.2 mm)	1
15	O-Ring	1
16	1537450	Snap Ring	1
17	*24603	Bearing	1
18	*581107	Snap Ring.....	1
19	*581117	Spacer	1
20	*581106	Snap Ring.....	1
21	1595427	Clutch Gear	1
22	43207	Ball Bearing.....	1
	*595426	Clutch Plates and Seals Kit (Includes Items 1, 4-5, 11-13, 15)	1
	*543102	Clutch Pack Plates Kit (Includes Items 11-13).....	1
	*595425	Clutch Pack Seals Kit (Includes Items 1, 4-5, *5).....	1

TRANSMISSION (Figure 5-10) DUAL SPEED SHEET 1 OF 2



HP140493

**TRANSMISSION
DUAL SPEED
SHEET 1 OF 2**

ITEM	PART NO.	DESCRIPTION	QTY
	a 1529886	Transmission Assembly (Dual Speed)	1
	b 1593993	Transmission Assembly (Single Speed)	1
1	292508	Capscrew	11
2	320157	Washer	12
3	1570361	Control Valve (see Figure 5-15)	1
4	1570360	Gasket (Control Valve)	1
5	233693	Fitting	1
5	16485	O-Ring	1
6	1570362	Housing (Transmission)	1
7	23589	Fitting	7
7	16484	O-Ring	7
8	1547447	Oil Seal	1
9	1550584	Yoke (27 Tooth)	1
10	86229	Washer	1
11	15135	Washer	1
12	15159	Lockwasher	1
13	16595	Capscrew	1
14	155057	Screen (Suction)	1
15	1550572	Spring (Suction Screen)	1
16	1487067	Fitting	1
16	16485	O-Ring	1
17	1595423	Clutch Pack Assembly (Counter/Reverse) (see Figure 5-13)	1
18	1595424	Clutch Pack Assembly (Forward-High) (see Figure 5-12)	1
19	1541232	Sensor	1
20	292500	Capscrew	2
21	292680	Lockwasher	2
22	154123	Sensor (Speed)	1
23	1565135	Gear (Output)	1
24	1359458	Capscrew	16
25	292682	Lockwasher	23
26	155058	Housing (Front Cover)	1
27	1550582	Gasket (Cover To Transmission Housing)	1
28	292516	Capscrew	3
29	334560	Magnet	1
30	44309	Bearing (Charge Pump)	1
31	213099	Snap Ring	1
32	1525686	Nut	1
33	151685	Spacer	1
34	1585750	Gear (idler)	1
35	44308	Ball Bearing	1
36	43209	Ball Bearing	1
37	303100	Pin	4
38	1553270	Shrubber	2
39	1553475	O-Ring	1
40	222444	Fitting	1
40	16486	O-Ring	1
41	303150	Pin	4
42	1525693	Compression Spring (Regulator)	1
43	1525692	Spool (Regulator)	1
44	1553403	O-Ring	1

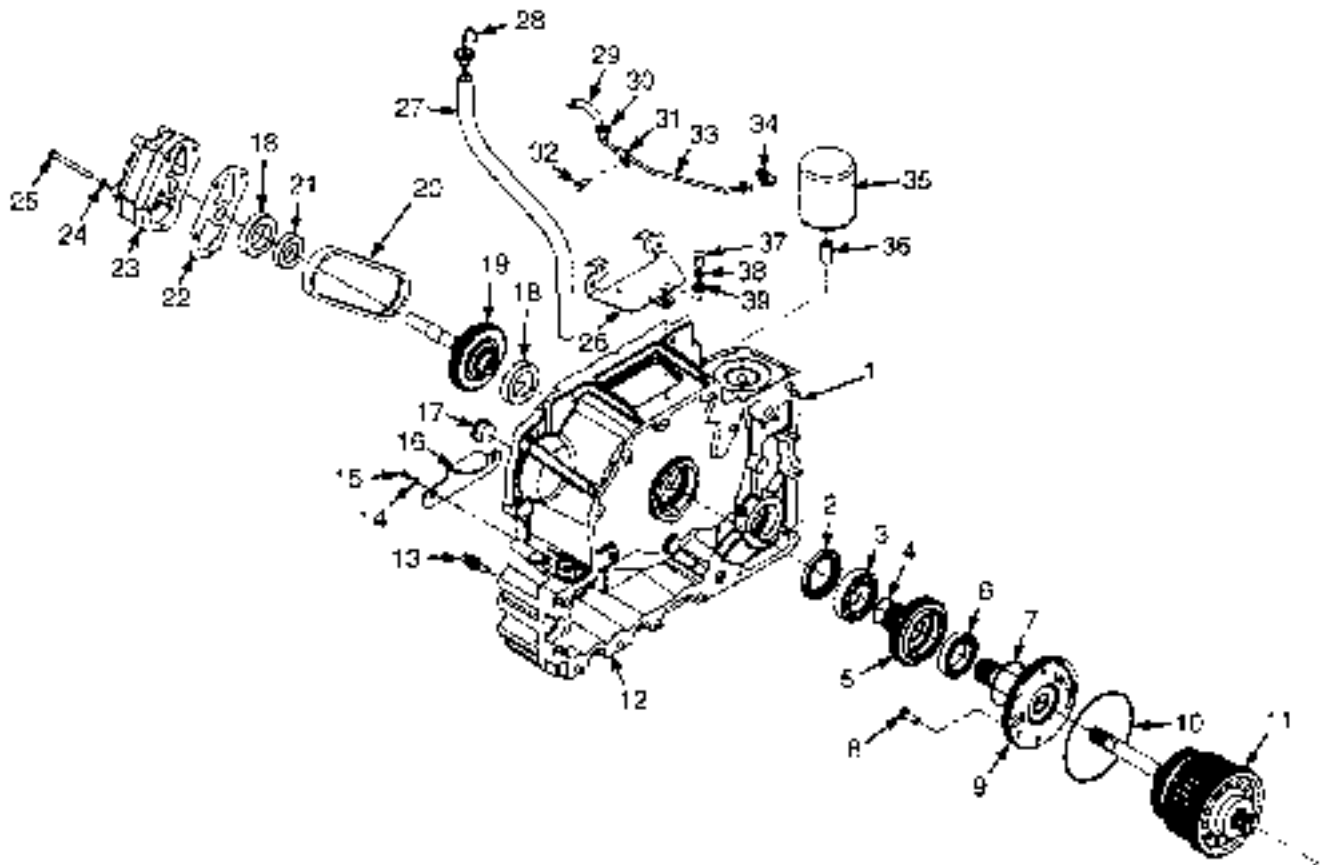
TRANSMISSION DUAL SPEED SHEET 1 OF 2

ITEM	PART NO	DESCRIPTION	QTY
45	1569768	Shield	1
46	1527879	Capscrew ..	1
47	1380849	Trim,	2
	1566457	Baffle (Not Illustrated).....	1

FOOTNOTES:

- a Dry Brakes
- b Wet Brakes

TRANSMISSION (Figure 5-11) DUAL SPEED SHEET 2 OF 2



HP24482

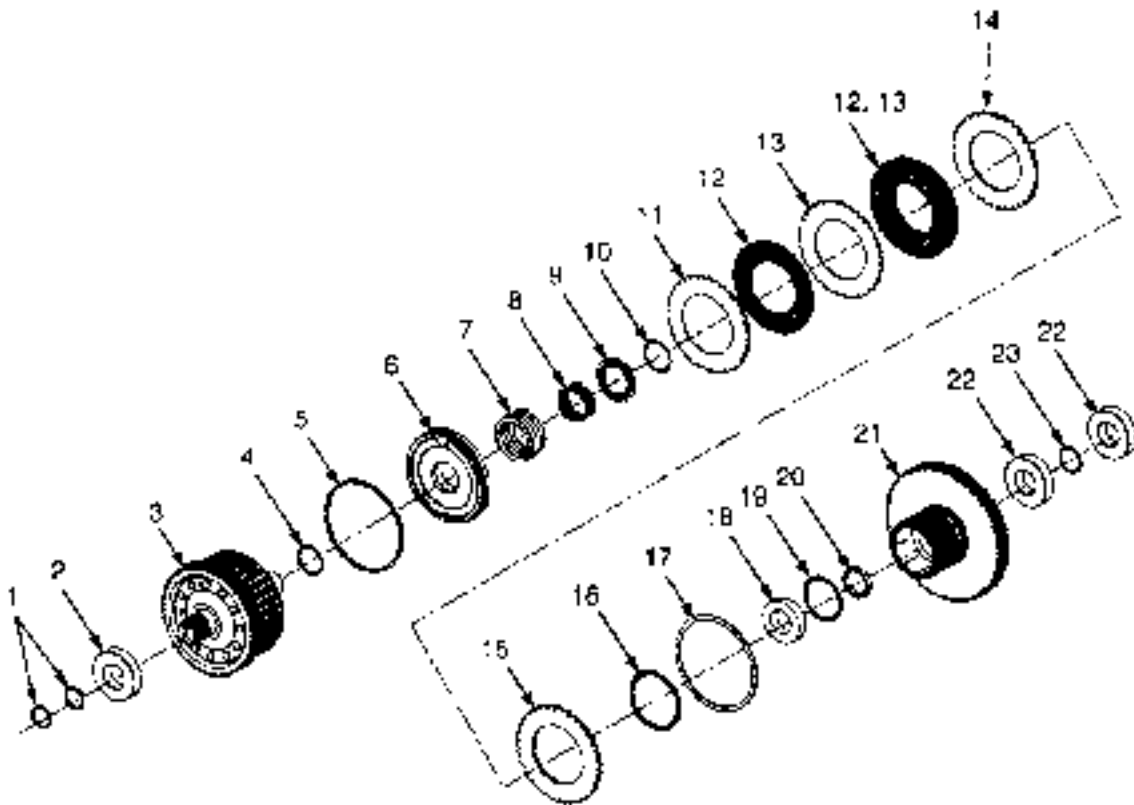
**TRANSMISSION
DUAL SPEED
SHEET 2 OF 2**

ITEM	PART NO.	DESCRIPTION	QTY
	a 1529898	Transmission Assembly (Dual Speed)	1
	b 1593993	Transmission Assembly (Single Speed)	1
1	1550566	Housing (Torque Converter)	1
2	1544217	O Seal	1
3	44310	Ball Bearing	1
4	145481	O-Ring	1
5	1541558	Sprocket	1
6	1544218	Bearing	1
7	1544218	Sealing Ring	1
8	136985	Capscrew	4
9	1525677	Stator Assembly	1
9	1518826	Bushing	1
10	16882	O-Ring	1
11	1595422	Clutch Pack Assembly (Input/Forward-Low) (See Figure 5-14)	1
12	1553573	Gasket (Torque Converter Housing To Cover)	1
13	1515654	Sensor (Coolant Temperature)	1
14	292880	Lockwasher	2
15	292500	Capscrew	2
16	1550567	Cover (Torque Converter Housing)	1
17	188210	Fitting	1
17	16983	O-Ring	1
18	43209	Ball Bearing	1
19	1550580	Sprocket (Driven)	1
20	1494750	Chain (Drive Pump)	1
21	44307	Bearing	1
22	1525686	Gasket (Charge Pump)	1
23	a 1552853	Charge Pump (27.0 CC/REV)	1
23	b 2073470	Charge Pump (32.4 CC/REV With/Out Boost)	1
23	b 2076527	Charge Pump (32.4 CC/REV With Boost)	1
24	292881	Lockwasher	7
25	296022	Capscrew	4
26	1568189	Cover	1
27	1568186	Tube (Dipstick)	1
28	1515618	Dipstick	1
29	169690	Hose	1
30	1569616	Clamp	2
31	164468	Clamp	1
32	136661	Capscrew	3
33	1566168	Tube	1
34	1487063	Fitting	1
34	16483	O-Ring	1
35	2076558	Filter	1
36	1558515	Fitting	1
37	292526	Capscrew	1
38	292683	Lockwasher	1
39	3201E1	Washer	1

FOOTNOTES:

- a Dry Brakes
b Wet Brakes

FORWARD CLUTCH, HIGH (Figure 5-12) DUAL SPEED TRANSMISSION

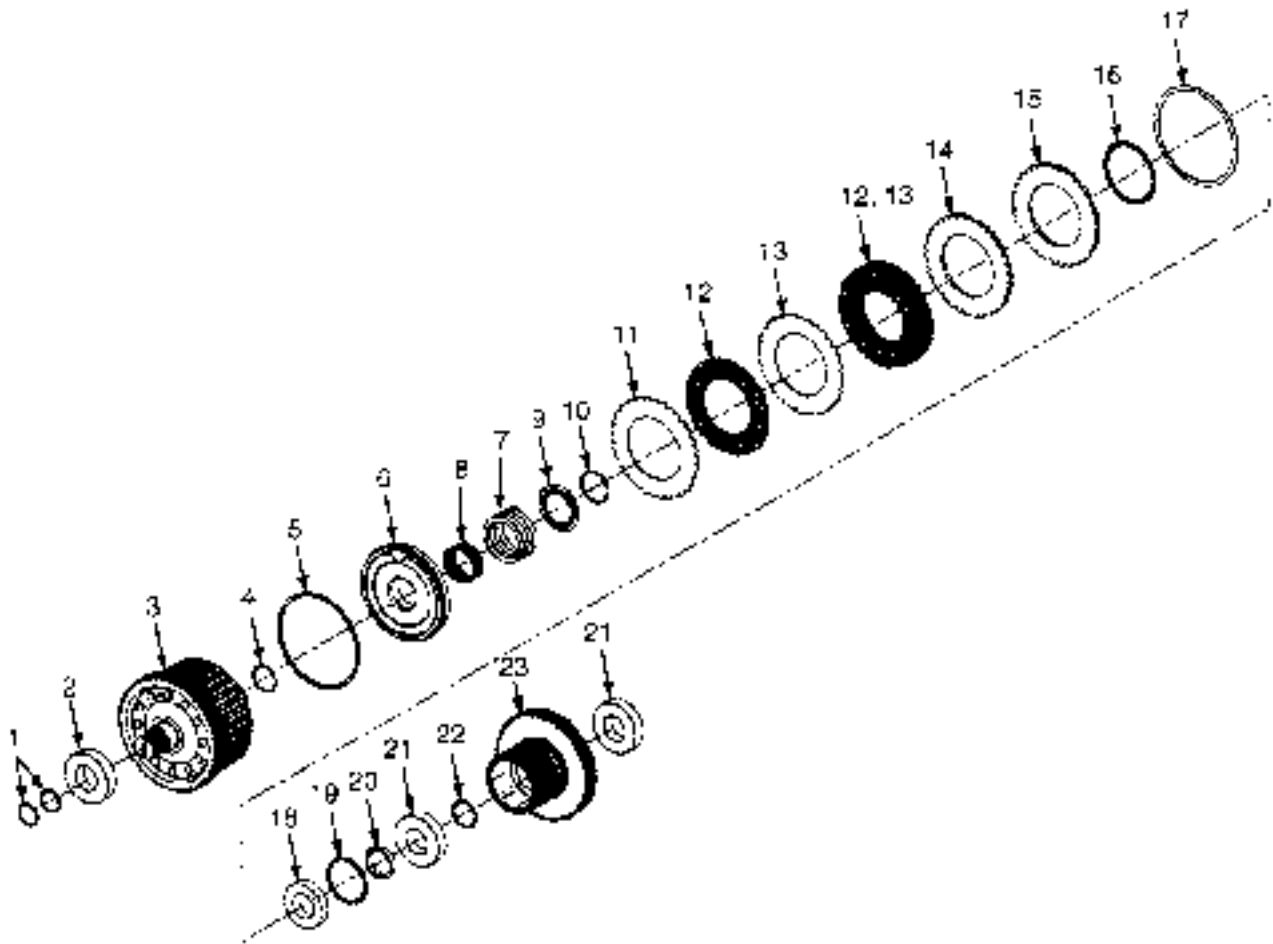


BP14000

**FORWARD CLUTCH, HIGH
DUAL SPEED TRANSMISSION**

ITEM	PART NO	DESCRIPTION	QTY
	1595424	Clutch Pack Assembly (Forward-High)	1
1		Seal	2
2	1537455	Bearing (Ball)	1
3	1581097	Gear and Shaft Assembly	1
4		Seal	1
5		Seal	1
6	1552525	Piston	1
7	1581108	Spring	1
8	1581098	Spring	1
9	1581099	Spring Guide	1
10	1581100	Snap Ring	1
11		Conical Plate	1
12		Friction Plate	5
13		Separator Plate	4
14	1543094	Pressure Plate (5.8 mm)	1
14	1537449	Pressure Plate (6.0 mm)	1
14	1543096	Pressure Plate (5.6 mm)	1
14	1543097	Pressure Plate (5.4 mm)	1
14	1543098	Pressure Plate (5.2 mm)	1
15	1581109	Back Plate	1
16		O-Ring	1
17	1537450	Snap Ring	1
18	124603	Bearing	1
19	1581107	Snap Ring	1
20	1581105	Spacer	1
21	1595430	Clutch Gear	1
22	43207	Ball Bearing	1
23	1581108	Snap Ring	1
	1595426	Clutch Plates and Seals Kit (Includes Items 1, 4-5, 11-13, 16)	1
	1543102	Clutch Pack Plates Kit (Includes Items 11-13)	1
	1595425	Clutch Pack Seals Kit (Includes Items * 4-5, * 6)	1

REVERSE CLUTCH (Figure 5-13) DUAL SPEED TRANSMISSION

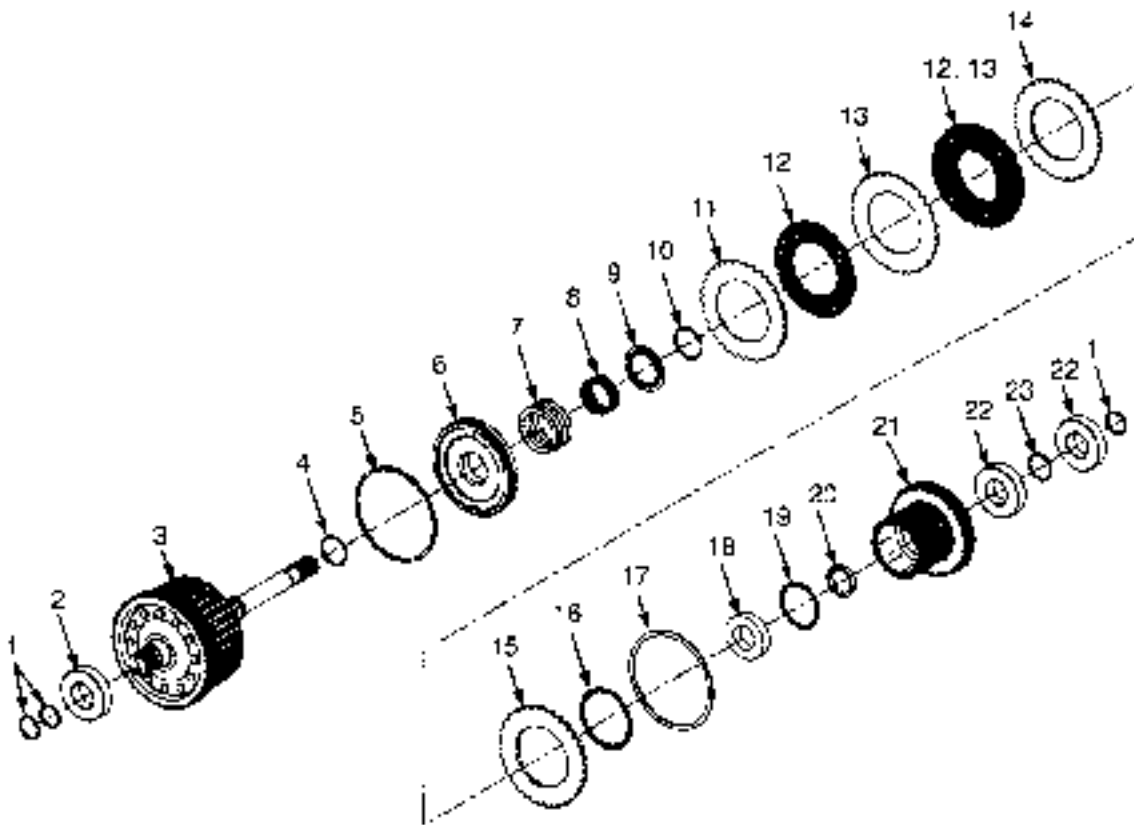


EP240022

**REVERSE CLUTCH
DUAL SPEED TRANSMISSION**

ITEM	PART NO.	DESCRIPTION	QTY
	1595423	Clutch Pack Assembly (Counter/Reverse).....	1
1	Seal.....	2
2	2029343	Bearing.....	2
3	1581037	Gear and Shaft Assembly.....	1
4	Seal.....	1
5	Seal.....	1
6	1582525	Piston.....	1
7	1581108	Spring.....	1
8	1581098	Spring.....	1
9	1581099	Spring Guide.....	1
10	1581100	Snap Ring.....	1
11	Conical Plate.....	1
12	Friction Plate.....	5
13	Separator Plate.....	4
14	1543094	Pressure Plate (5.6 mm).....	1
14	1537449	Pressure Plate (6.0 mm).....	1
14	1543096	Pressure Plate (5.6 mm).....	1
14	1543097	Pressure Plate (5.4 mm).....	1
14	1543098	Pressure Plate (5.2 mm).....	1
15	1581109	Back Plate.....	1
16	O-Ring.....	1
17	1537450	Snap Ring.....	1
18	124603	Bearing.....	1
19	1581107	Snap Ring.....	1
20	1581105	Spacer.....	1
21	43207	Ball Bearing.....	2
22	1581106	Snap Ring.....	1
23	1595429	Clutch Gear.....	1
	1595426	Clutch Plates and Seals Kit (Includes Items 1, 4-5, 11-13, 16).....	1
	1543102	Clutch Pack Plates Kit (Includes Items 11-13).....	1
	1595425	Clutch Pack Seals Kit (Includes Items 1, 4-5, 16).....	1

INPUT CLUTCH, LOW (Figure 5-14) DUAL SPEED TRANSMISSION

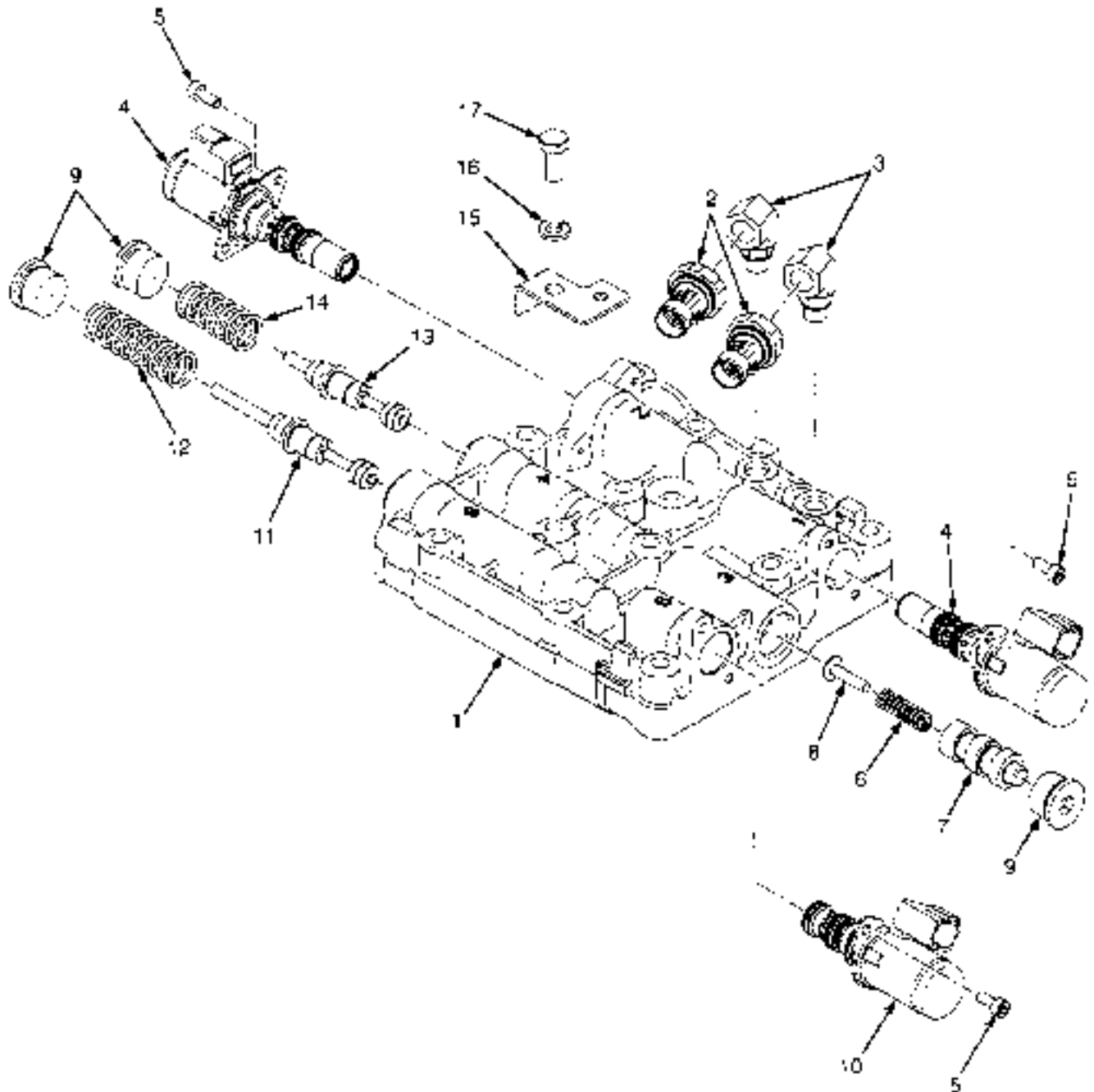


HP242030

**INPUT CLUTCH, LOW
DUAL SPEED TRANSMISSION**

ITEM	PART NO.	DESCRIPTION	QTY
	1595422	Clutch Pack Assembly (Input/Forward-Low).....	1
1	.	Seal	3
2	2029343	Bearing.....	1
3	1581112	Gear and Shaft Assembly	1
4	.	Seal	1
5	Seal.....	1
6	1552525	Piston	1
7	1581108	Spring	1
8	1581098	Spring.....	1
9	1581099	Spring Guide	1
10	1581100	Snap Ring.....	1
11	.	Conical Plate	1
12	...	Friction Plate	5
13	.	Separator Plate	4
14	1543094	Pressure Plate (5.8 mm)	1
14	1537449	Pressure Plate (6.0 mm)	1
14	1543095	Pressure Plate (5.6 mm)	1
14	1543097	Pressure Plate (5.4 mm)	1
14	1543098	Pressure Plate (5.2 mm)	1
15	1581109	Back Plate	1
16	.	Ring	1
17	1537450	Snap Ring.....	1
18	124603	Bearing.....	1
19	1581107	Snap Ring.....	1
20	1581105	Spacer.....	1
21	1595428	Clutch Gear.....	1
22	43207	Ball Bearing.....	2
23	1581106	Snap Ring.....	1
	1595426	Clutch Plates and Seals Kit (includes Items 1, 4-5, 11-13, 16)	1
	1543102	Clutch Pack Plates Kit (Includes Items 11-13).....	1
	1595425	Clutch Pack Seals Kit (Includes Items 1, 4-5, 16)	1

CONTROL VALVE (Figure 5-15) TRANSMISSION



RP280646

**CONTROL VALVE
TRANSMISSION**

ITEM	PART NO.	DESCRIPTION	QTY
	1570361	Control Valve	1
	1570363	Body	1
2	2070263	Transducer	2
3	1545546	Fitting	2
3	16481	O-Ring	2
4	1530722	Proportional Valve	2
5	293742	Capscrew	6
6	1590866	Spring (Return)	1
7	1590865	Spool (Cut-Off)	1
8	1590839	Spool Stop	1
9	233693	Fitting	3
9	16485	O-Ring	3
10	1520660	Solenoid Valve	1
11	1544758	Spool (Torque Converter Regulator)	1
12	1550561	Spring (Torque Converter Regulator)	1
13	1544759	Spool (Torque Converter Regulator)	1
14	1514138	Spring (Torque Converter Regulator)	1
15	1562310	Clip	1
16	292681	Lockwasher	1
17	136681	Capscrew	1

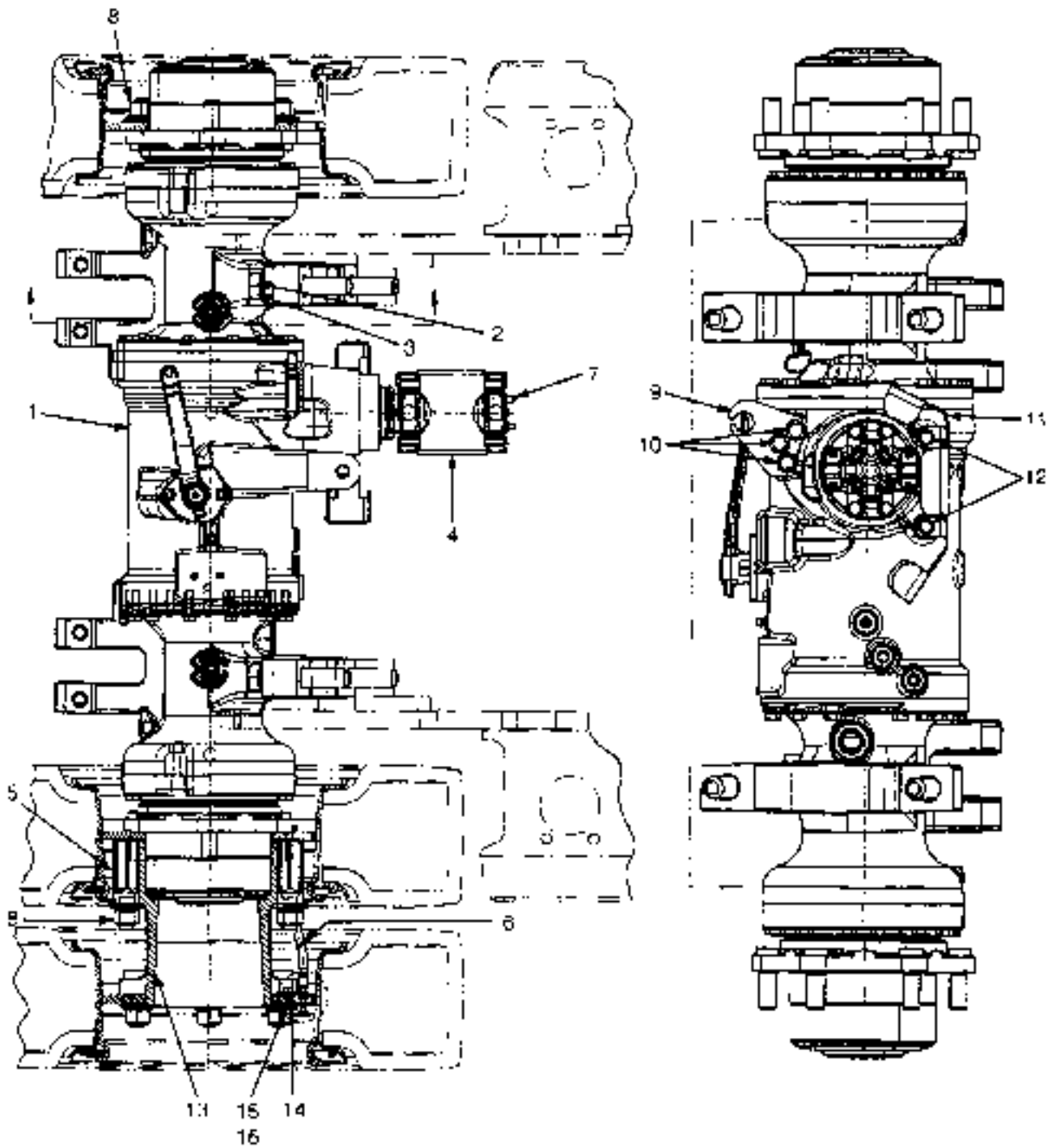
5

DRIVE AXLE

**SECTION 6
DRIVE AXLE**

DESCRIPTION	PAGE
DRIVE AXLE AND ATTACHING PARTS	
WET BRAKE.....	6-2
DRIVE AXLE ASSEMBLY	
DRY BRAKE.....	6-4
DRIVE TIRE AND WHEEL	
PNEUMATIC RADIAL ..	6-10
SNAP-ON SOLID TIRE.....	6-12
SOLID PNEUMATIC	
SINGLE.....	6-7
WIDE TREAD.....	6-8
DUAL DRIVE WHEELS AND TIRES.....	6-14

DRIVE AXLE AND ATTACHING PARTS (Figure 6-1) WET BRAKE

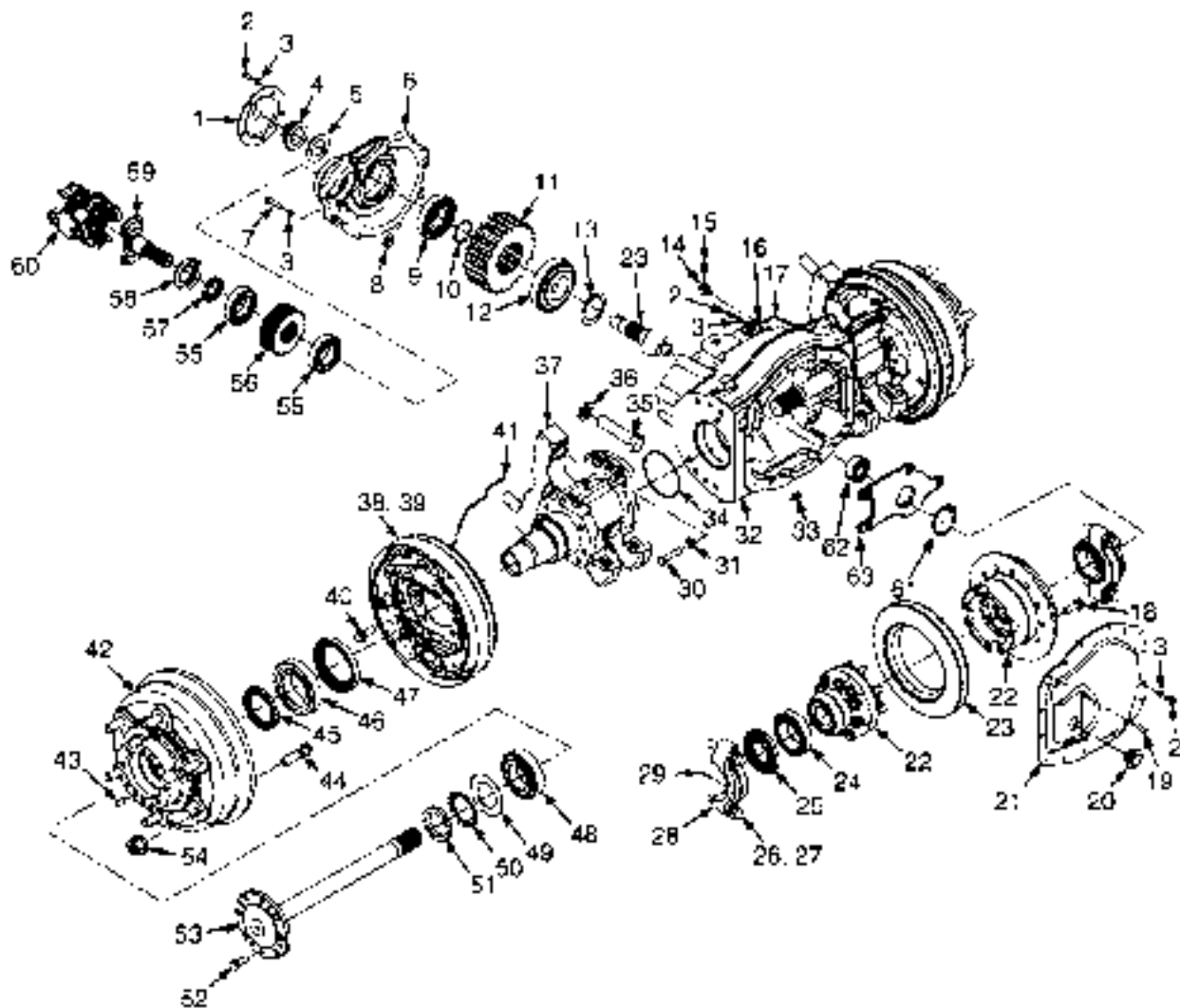


HP07113

**DRIVE AXLE AND ATTACHING PARTS
WET BRAKE****KEY:****A:** Single Wheel**B:** Dual Wheel

ITEM	PART NO.	DESCRIPTION	QTY	
			A	B
1	1539245	Drive Axle (14.52 Overall Ratio)	1	1
1	1539246	Drive Axle (17.82 Overall Ratio)	1	1
1	2070734	Drive Axle (12.79 Overall Ratio)	1	1
2	296434	Washer	4	4
3	226430	Capscrew	4	4
4	1551649	U-Joint	1	1
4	1589273	Yoke	1	1
4	1589274	Spider and Bearing	2	2
5	1545401	Stud	12
6	1583169	Valve Stem Extension	2
7	293616	Capscrew	8	8
8	1537133	Wheel Nut	6	12
9	1580213	Plate	1	1
10	1527884	Capscrew	3	3
11	1585528	Bracket	1	1
12	1527879	Capscrew	2	2
13	1552290	Hub Assembly	2
13	1545402	Hub	1
13	1532337	Bolt	6
14	1584690	Bracket	2
15	136687	Nut	2
16	292680	Lockwasher	2

DRIVE AXLE ASSEMBLY (Figure 6-2) DRY BRAKE



HP076111

**DRIVE AXLE ASSEMBLY
DRY BRAKE**

ITEM	PART NO.	DESCRIPTION	QTY
	1532729	Drive Axle (2.17 Gear Ratio)	1
	1532730	Drive Axle (2.48 Gear Ratio)	1
1	1516536	Cover (Pinion)	1
2	28785*	Capscrew	20
3	29268*	Lockwasher	29
4	2026861	Nut	1
5	1530588	Washer	1
6	1516535	Housing (Drive Box)	1
7	292508	Capscrew	9
8	2075120	Clamp	1
9	2022352	Roller Bearing	1
10	1516335	Shim (0.50 mm)	AR
10	1516331	Shim (0.12 mm)	AR
10	1516332	Shim (0.15 mm)	AR
10	1516333	Shim (0.18 mm)	AR
10	1516334	Shim (0.25 mm)	AR
11	1517576	Gear (2.17 Gear Ratio)	1
11	1516526	Gear (2.48 Gear Ratio)	1
12	2028862	Roller Bearing	1
13	1520755	Shim (0.01 in.)	AR
13	1568912	Shim (0.002 in.)	AR
13	1568913	Shim (0.0025 in.)	AR
13	1520752	Shim (0.003 in.)	AR
13	1568914	Shim (0.0035 in.)	AR
13	1520753	Shim (0.004 in.)	AR
13	1568915	Shim (0.0045 in.)	AR
13	1520754	Shim (0.005 in.)	AR
14	1615*	Fitting	1
15	21420	Breather	1
16	1591* 22	Manifold Assembly	1
16	1532350	Formec Bracket	1
16	1588050	Manifold	1
16	1510126	Capscrew (Button Head)	2
16	292660	Lockwasher	2
17	2063265	Brake Line (LH)	1
18	1565327	Bolt	8
19	302365	Pin	5
20	1516075	Plug	1
21	1532735	Cover (Center)	1
22	2067962	Differential	1
23	1606532	Gear Set (Differential)	1
23		Pinion (Differential)	4
23		Side Gear (Differential)	2
23	1565324	Washer Kit	1
24	1375488	Roller Bearing	2
25	a	Bearing Cap	2
26	a 293692	Capscrew	4
27	a 296426	Washer (Hardened)	4
28	1532732	Housing (Center)	1
29	15241	Cotter Pin	2
30	293668	Capscrew	14

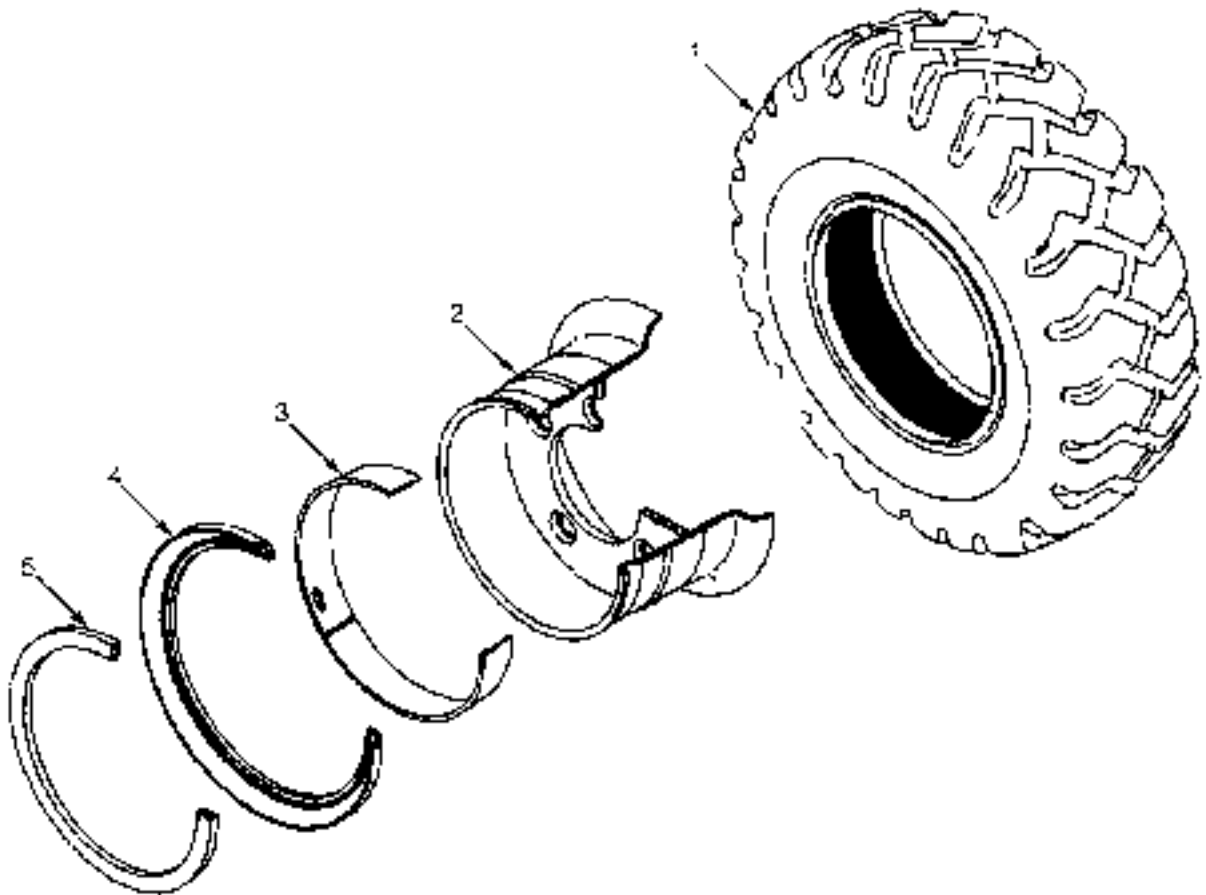
DRIVE AXLE ASSEMBLY DRY BRAKE

ITEM	PART NO.	DESCRIPTION	QTY
31	296426	Washer (Hardened)	14
32	1531148	Retainer	2
33	234038	Dowel Pin	4
34	2027828	O-Ring	2
35	226430	Capscrew	4
36	296422	Washer	4
37	1503681	Hanger (RH)	1
37	1503680	Hanger (LH)	1
38	1579454	Brake Assembly (LH) (See Figure B-5)	1
39	1579455	Brake Assembly (RH) (See Figure B-5)	1
40	1327246	Lock Bolt	16
41	2063264	Brake Line (RH)	1
42	1532335	Hub Assembly	2
42	1532339	Hub	1
43	302386	Pin	2
44	1532337	Bolt	6
45	2028621	Oil Seal	1
46	1375492	Roller Bearing	1
47	2027817	Oil Seal	1
48	1375486	Roller Bearing	1
49	1515219	Washer (Wheel Bearing)	2
50	2027756	Bearing (Washer Lock)	2
51	2028145	Locknut	2
52	293646	Capscrew	20
53	1532708	Axle Shaft	2
54	1537133	Wheel Nut	12
55	1523479	Ball Bearing	2
56	1517578	Drive Gear (2.17 Gear Ratio)	1
56	1516530	Drive Gear (2.48 Gear Ratio)	1
57	1522377	Oil Seal	1
58	1516534	Dust Cover	1
59	1517673	Input Shaft	1
60	1547757	Drive Shaft Assembly	1
60	1566461	Yoke	1
60	1666462	U-Joint	2
61	320264	Snap Ring	1
62	135168	Roller Bearing	1
63	1512561	Support	1

FOOTNOTES:

* Included With Center Housing

DRIVE TIRE AND WHEEL (Figure 6-3) SOLID PNEUMATIC SINGLE

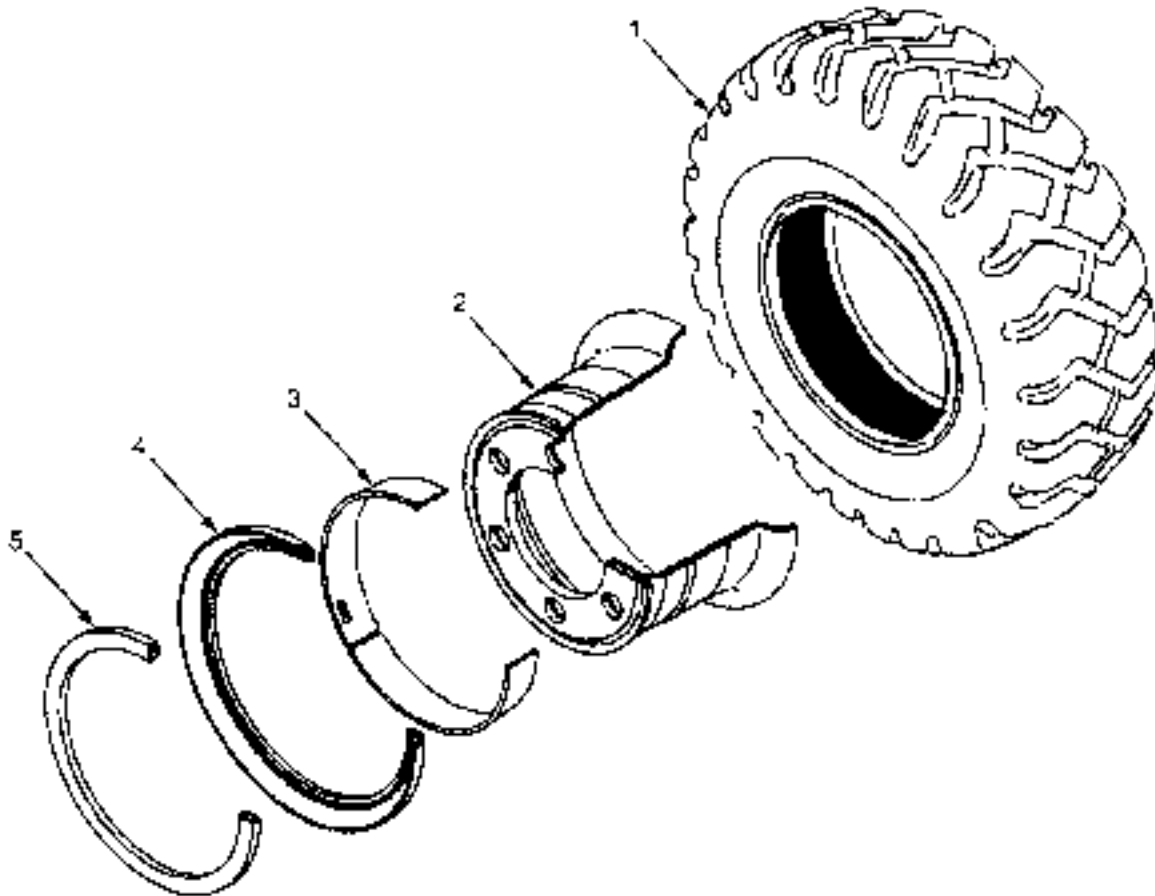


RRC70019

KEY:**A:** 7.00 X 12 14 Solid Pneumatic (H2.0-2.5FT)**B:** 28 X 9 15 Solid Pneumatic (H2.0-3.5FT)

ITEM	PART NO.	DESCRIPTION	QTY	
			A	B
1	1543060	Tire (Trell)	2	.
1	*543070	Tire (Monarch)	2	.
1	*543061	Tire (Trell)	..	2
1	*543071	Tire (Monarch)	..	2
2	2070073	Wheel Assembly	2	.
2	2070074	Wheel Assembly	..	2
3	161890	Side Ring	1	.
3	*60653	Side Ring	..	1
4	*584694	Tapered Bead Seat Ring	1	.
4	*584695	Tapered Bead Seat Ring	..	1
5	161889	Locking Ring	1	.
5	980542	Locking Ring	..	1

DRIVE TIRE AND WHEEL (Figure 6-4) SOLID PNEUMATIC WIDE TREAD



BP07E012

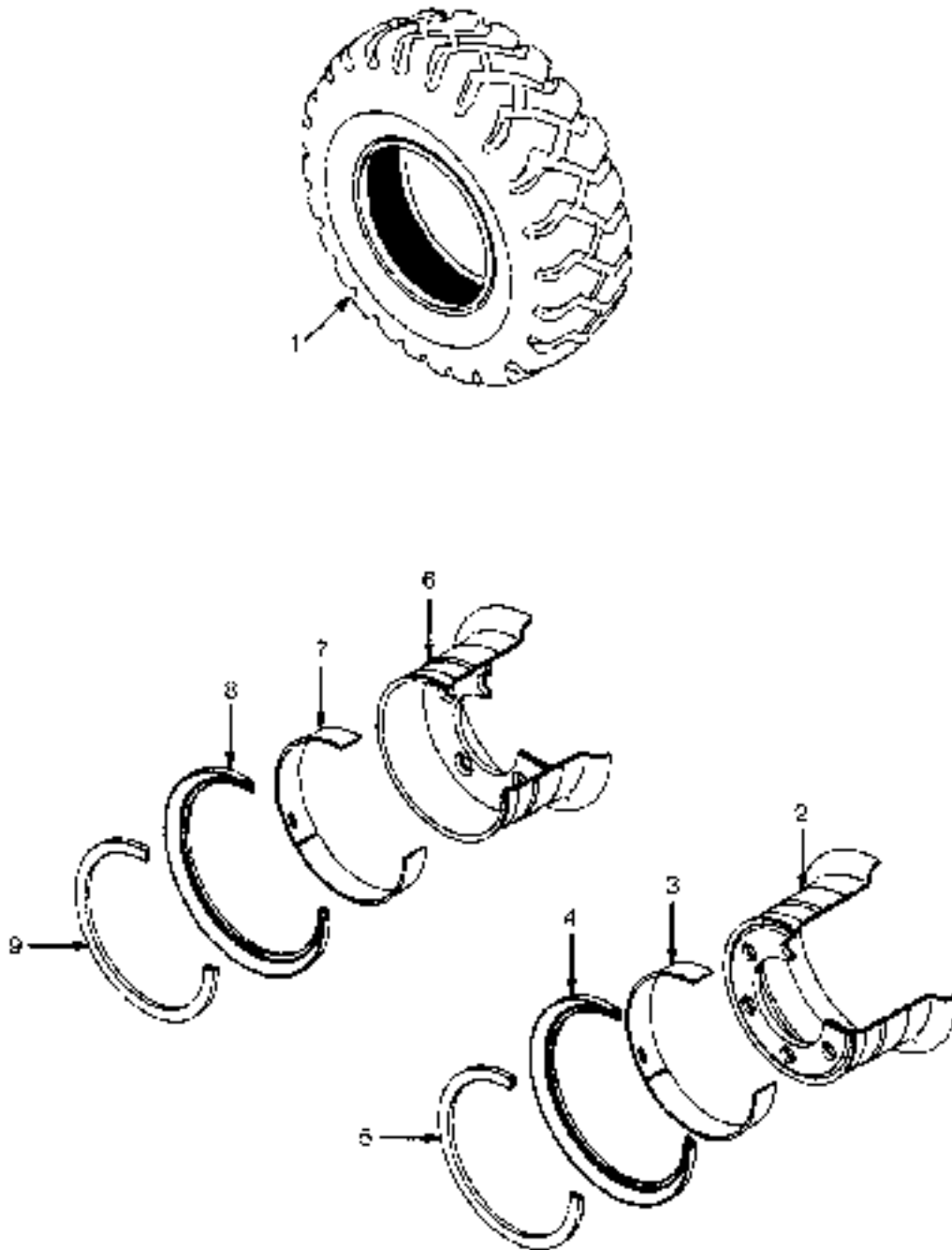
KEY:

A: 7.00 x 12 14 Solid Pneumatic (H2.0-2.5FT)

B: 28 x 9-15 14 Solid Pneumatic (H2.0-3.5FT)

ITEM	PART NO.	DESCRIPTION	QTY	
			A	B
1	1543080	Tire (Tre-I)	2	..
1	1543070	Tire (Monarch)	2	.
1	1543081	Tire (Tre-I)	2
1	1543071	Tire (Monarch)	2
2	2070075	Wheel Assembly	2	.
2	2070076	Wheel Assembly	2
3	161890	Side Ring
3	160653	Side Ring	1
4	1584684	Tapered Bead Seat Ring
4	1584685	Tapered Bead Seat Ring	1
5	161839	Locking Ring	1	..
5	983542	Locking Ring

DRIVE TIRE AND WHEEL (Figure 6-5) PNEUMATIC RADIAL

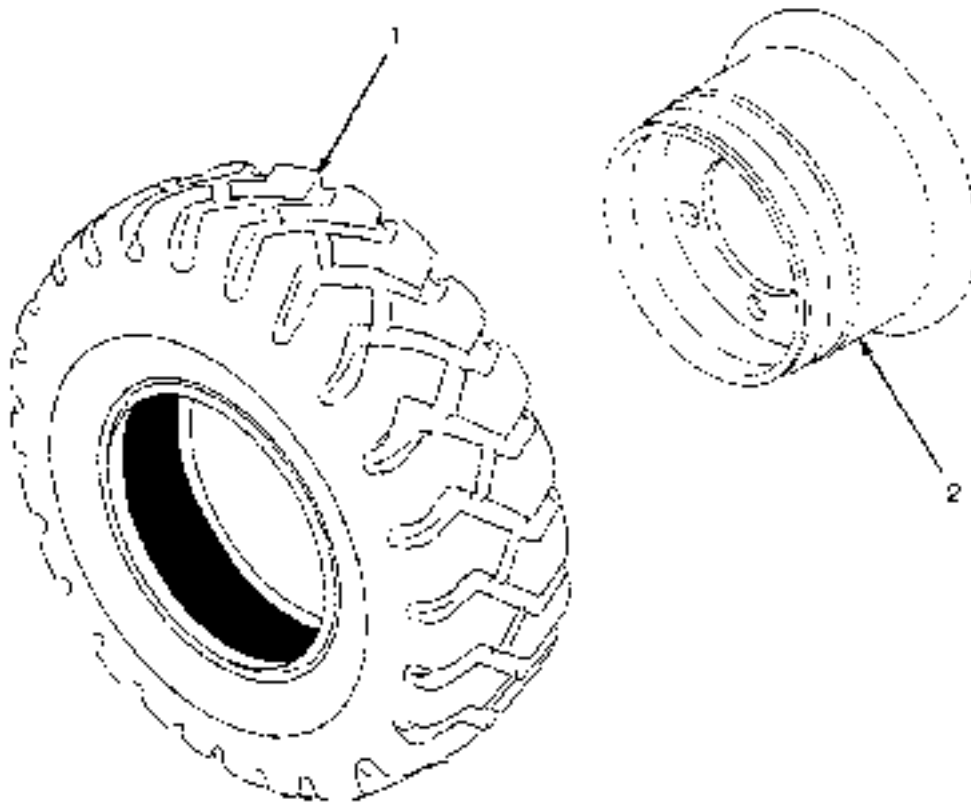


EPD:0014

**DRIVE TIRE AND WHEEL
PNEUMATIC RADIAL****KEY:****A: 7.00 R12 Pneumatic Radial (H2.0-2.5FT)****B: 225/75 R15 Pneumatic Radial (H2.0-3.5FT)**

ITEM	PART NO	DESCRIPTION	QTY	
			A	B
1	1471829	Tire Assembly (Michelin XZM).....	2	
1	1471591	Tubeless Bead Seal.....	1	..
1	1358179	Tire	1	.
1	1471522	Bead Seal Valve.	1	
1	1471835	Tire Assembly	2
1	1462617	Tubeless Bead Seal.....	..	1
1	1358183	Tire (Michelin XZM).	1
1	1471522	Bead Seal Valve.....	.	1
2	2070073	Wheel Assembly.	2	
2	2070075	Wheel Assembly (Wide Tread)	2	
3	181890	Side Ring	1	
4	1584694	Tapered Bead Seat Ring	1	
5	181889	Locking Ring	1	.
8	2070074	Wheel Assembly	2
6	2070076	Wheel Assembly (Wide Tread)	2
7	160653	Side Ring	1
8	1584895	Tapered Bead Seat Ring.	1
9	990542	Locking Ring	1

DRIVE TIRE AND WHEEL (Figure 6-6) SNAP-ON SOLID TIRE



RP030219

**DRIVE TIRE AND WHEEL
SNAP-ON SOLID TIRE**

KEY:

A: 7.00 x 12 Tire

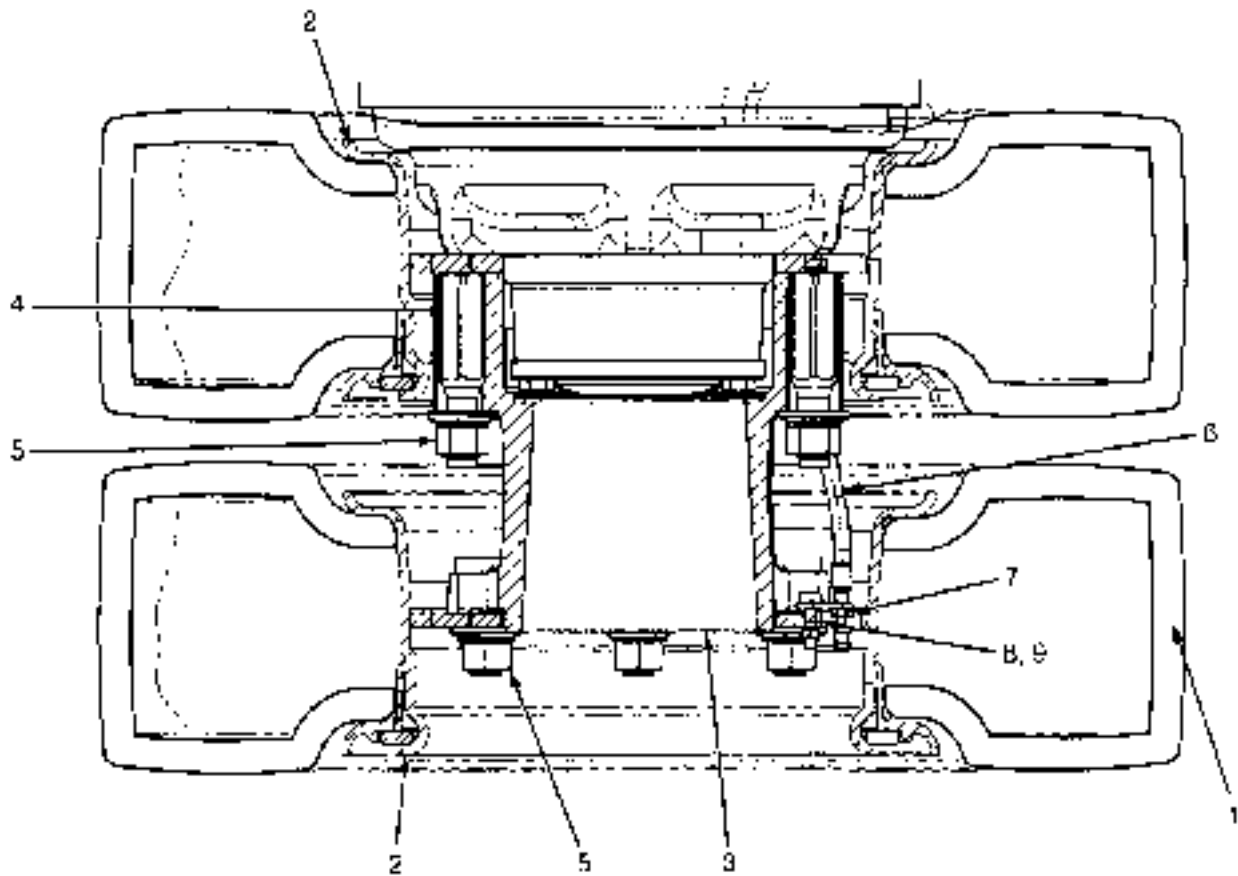
B: 28 x 9-15 Tire

C: 7.00 x 11 Wide Tread

D: 28 x 9-15 Wide Tread

ITEM	PART NO.	DESCRIPTION	QTY			
			A	B	C	D
1	1543063	Tire	2		2	.
1	1543064	Tire		2		2
2	207C080	Rim	2	.		.
2	207C079	Rim		2		.
2	207C078	Rim			2	.
2	207C077	Rim				2

DUAL DRIVE WHEELS AND TIRES (Figure 6-7)



HP070054

DUAL DRIVE WHEELS AND TIRES

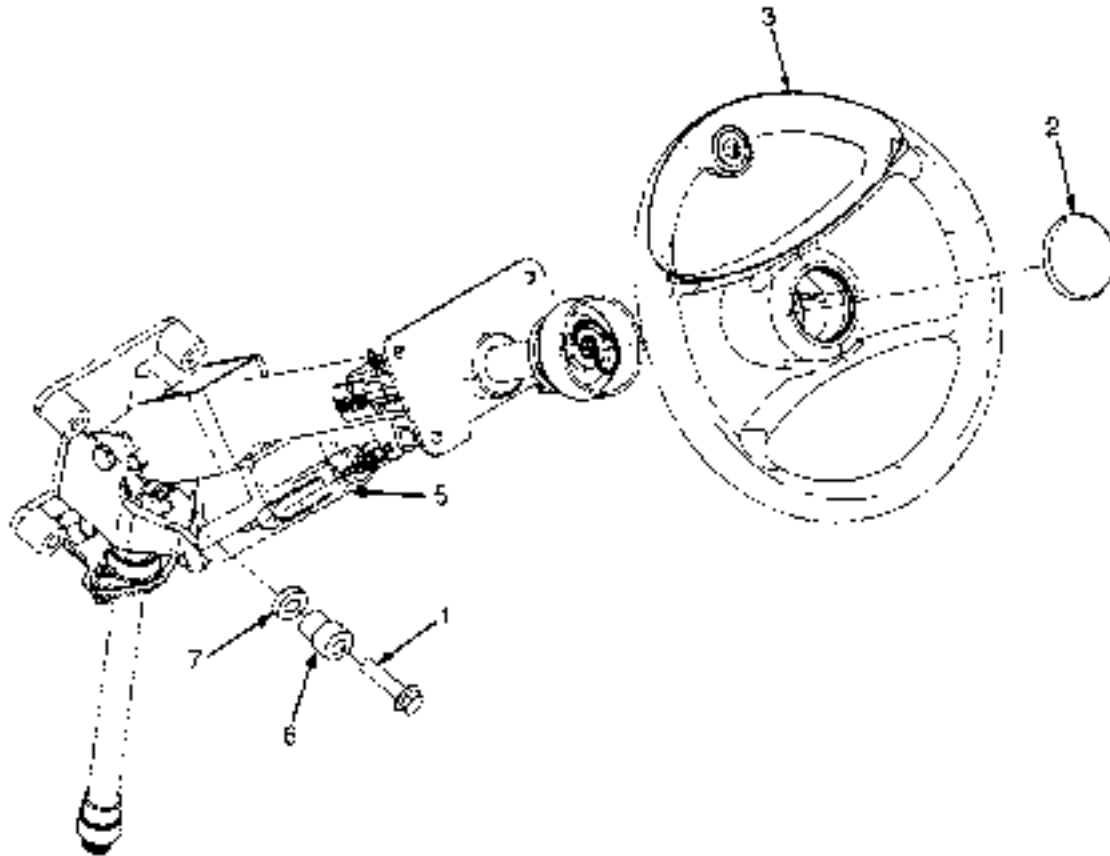
ITEM	PART NO.	DESCRIPTION	QTY
1	1543070	Tire (Morarch)	4
1	1543080	Tire (Trell)	4
2	2075454	Wheel	4
3	1552290	Hub Assembly	2
3	1532337	Bolt	6
3	1545402	Hub	1
4	1545401	Stud	12
5	1537133	Wheel Nut	12
6	1583189	Valve Stem Extension	2
7	1584690	Bracket	2
8	136687	Nut	2
9	292680	Lockwasher	2

7	STEERING SYSTEM
---	------------------------

SECTION 7 STEERING SYSTEM

DESCRIPTION	PAGE
STEER AXLE	7-10
STEER CYLINDER	7-12
STEER TIRES AND WHEELS	
H2.0-2.5F ^T	7-4
H2.0-3.5F ^T	7-6
STEERING COLUMN AND ATTACHING PARTS.....	7-2
STEERING COLUMN ASSEMBLY	7-4
STEERING CONTROL UNIT	7-6
STEERING LINES	7-8

STEERING COLUMN AND ATTACHING PARTS (Figure 7-1)



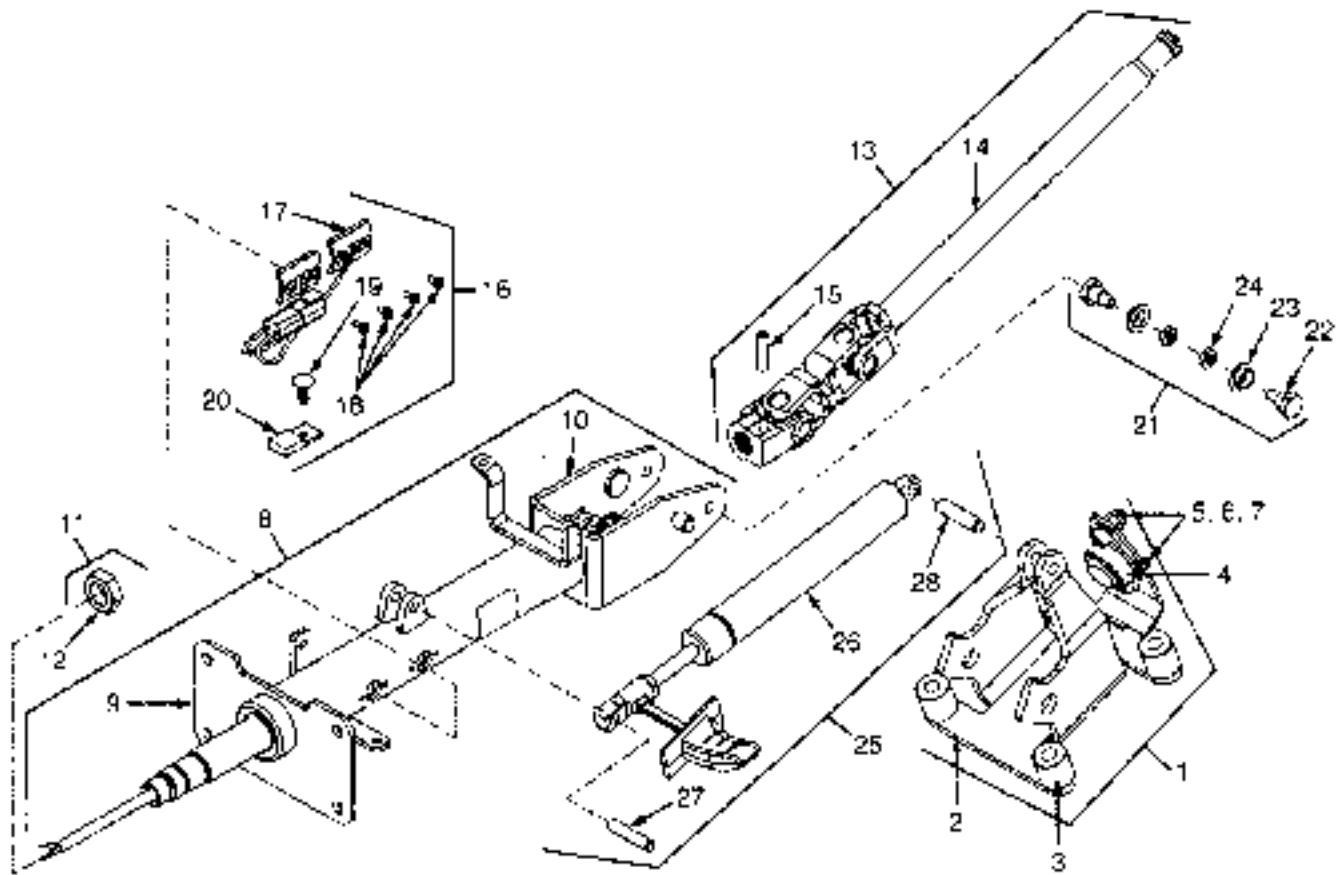
HP210416

ITEM	PART NO.	DESCRIPTION	QTY
1	1512403	Capscrew	4
2	1450503	Horn Button	1
3	1531563	Steering Wheel (With Spinner)	1
3	1551839	Steering Wheel (Without Spinner)	1
4	1544566	Steering Column Assembly	1
5	1606912	Clip	1
6	■ 1606750	Soccer	4
7	■ 2079369	Isolator	8

FOOTNOTES:

■ For Vehicles With Diesel Engines Only

STEERING COLUMN ASSEMBLY (Figure 7-2)

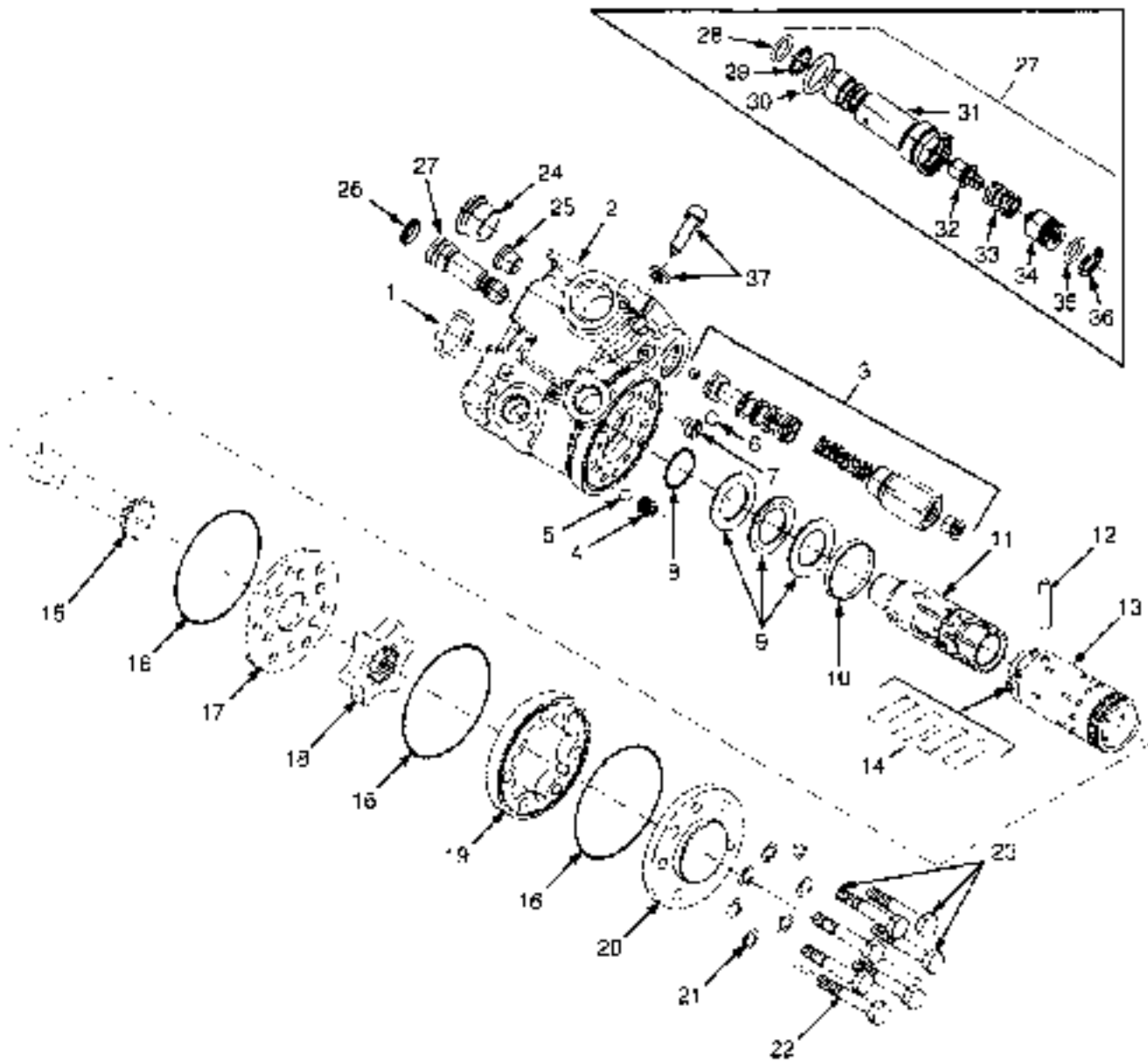


HP595445

STEERING COLUMN ASSEMBLY

ITEM	PART NO.	DESCRIPTION	QTY
	1544568	Steering Column Assembly (LPG)	1
	1608891	Steering Column Assembly (Diesel)	1
1	1562509	Support Kit	1
2		Support	1
3		Spacer	4
4		Joint	1
5		Nut	2
6		Washer	2
7		Screw	2
8	1562489	Shaft Kit (Upper)	1
9		Shaft Assembly (Upper)	1
10		Housing Assembly	1
11	1562492	Nut Kit	1
12		Nut	2
13	1562493	Shaft Kit (Lower)	1
14		Shaft Assembly (Lower)	1
15		Pin	1
16	1562496	Contact Kit	1
17		Contact Assembly (Horn)	1
18		Screw	4
19		Fastener	1
20		Connector	1
21	1562501	Pivot Kit (Lower)	1
22		Bolt (Pivot)	2
23		Bushing	2
24		Nut	2
25	1562505	Gas Spring Kit	1
26		Gas Spring	1
27		Pin	1
28		Pin	1

STEERING CONTROL UNIT (Figure 7-3)

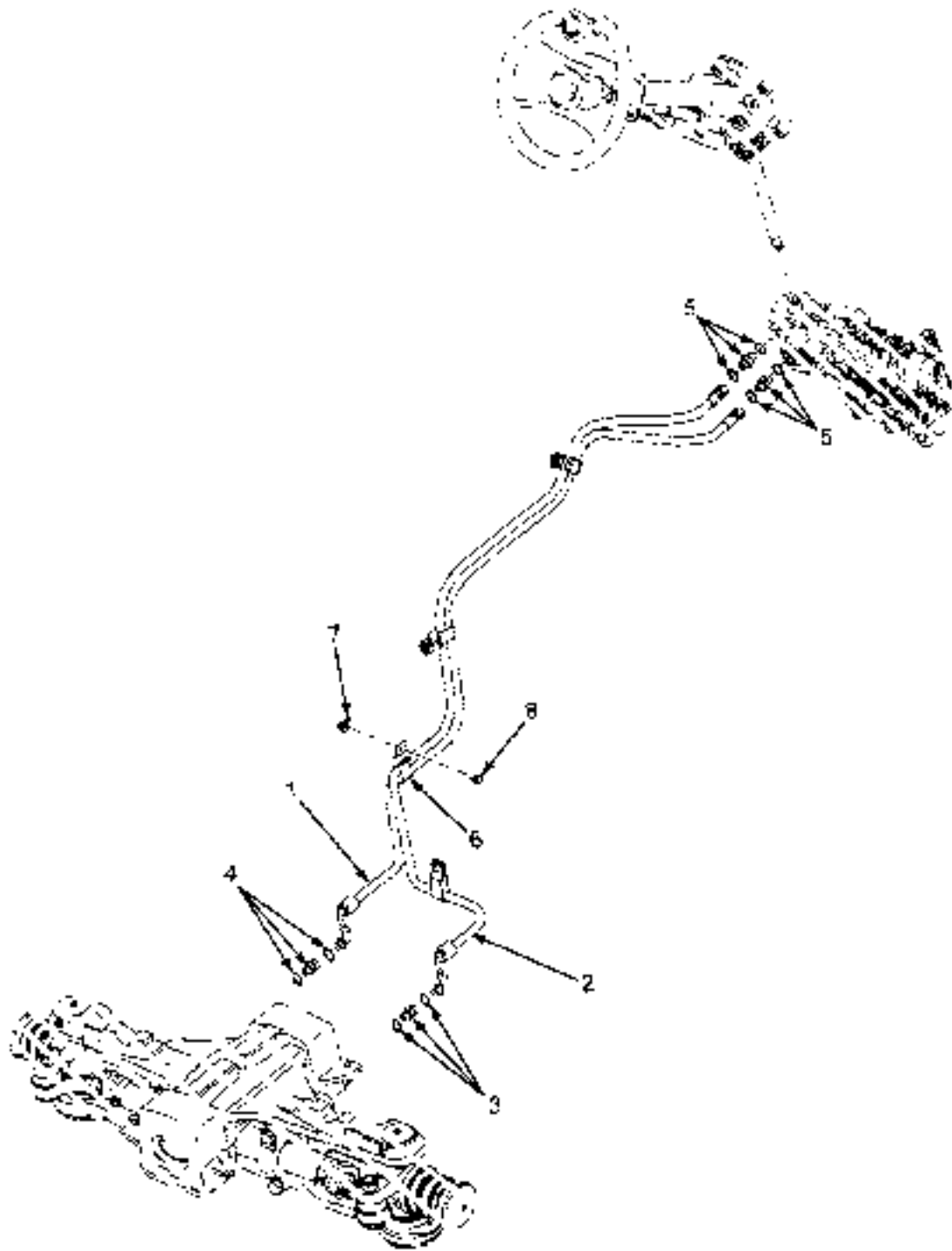


BP120054

STEERING CONTROL UNIT

ITEM	PART NO.	DESCRIPTION	QTY
	2056868	Steering Control Unit (H2.0-3.0FT).....	1
	2056868	Steering Control Unit (H3.5FT).....	1
1		Dust Seal.....	1
2		Housing.....	1
3		Relief Valve.....	1
4		Bushing.....	1
5		Check Ball.....	1
6		Check Ball.....	1
7		Seal.....	1
8		O-Ring.....	1
9		Bearing Set.....	1
10		Ring.....	1
11		Spool.....	1
12		Pin.....	1
13		Sleeve.....	1
14		Spring Set.....	1
15		Shaft.....	1
16		O-Ring.....	3
17		Plate.....	1
18		Gear Set.....	1
19		Gear Ring.....	1
20		Cover.....	1
21		Washer.....	7
22		Special Screw.....	2
23		Capscrew.....	5
24		Priority Valve Plug.....	1
25		Diagnostic Plug (Supply Pressure).....	1
26		Cap.....	1
27		System Relief Valve.....	1
28		O-Ring.....	1
29		Back-Up Ring.....	1
30		O-Ring.....	1
31		Cartridge.....	1
32		Seat.....	1
33		Spring.....	1
34		Plug.....	1
35		Anti-Tamper Ring.....	1
36		Snap Ring.....	1
37	1581858	Steering Control Unit Bolt Kit.....	1
	1579908	Seal Kit (includes Items 1, 8, 16, 21, 28-30, 34).....	1

STEERING LINES (Figure 7-4)

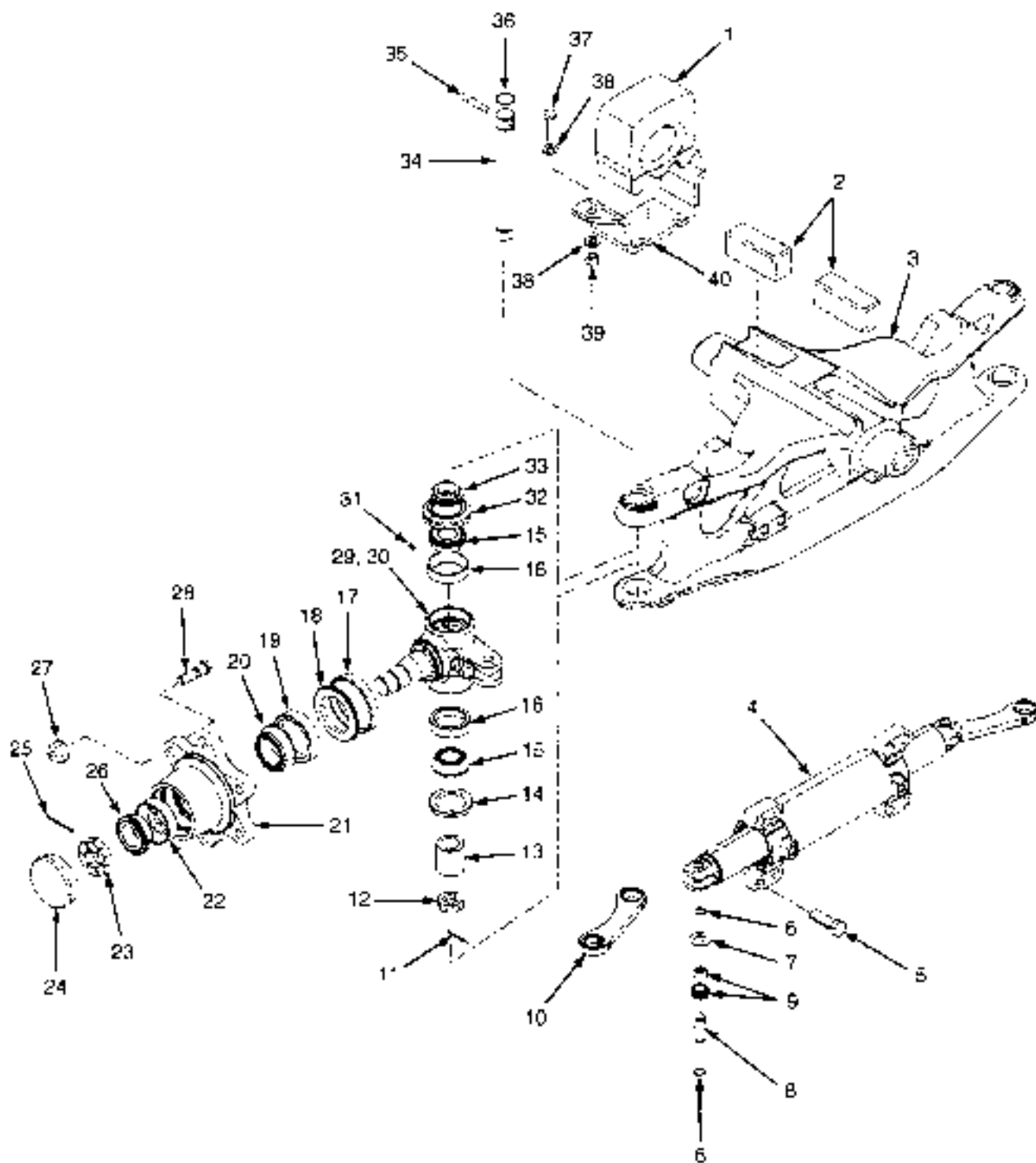


HP120440

STEERING LINES

ITEM	PART NO.	DESCRIPTION	QTY
1	2073016	Hose (H2.0-3.0FT).....	1
1	2072903	Hose (H3.5FT).....	1
2	2072902	Hose (H2.0-3.0FT).....	1
2	2073017	Hose (H3.5FT).....	1
3	1516201	Fitting.....	1
3	265767	O-Ring.....	1
3	16494	O-Ring.....	1
4	1486742	Fitting.....	1
4	265767	O-Ring.....	1
4	16494	O-Ring.....	1
5	1487063	Fitting.....	2
5	265767	O-Ring.....	2
5	1527813	O-Ring.....	2
6	1544157	Clamp.....	6
7	1480237	Clip Nut.....	6
8	1527879	Capscrew.....	6

STEER AXLE (Figure 7-5)

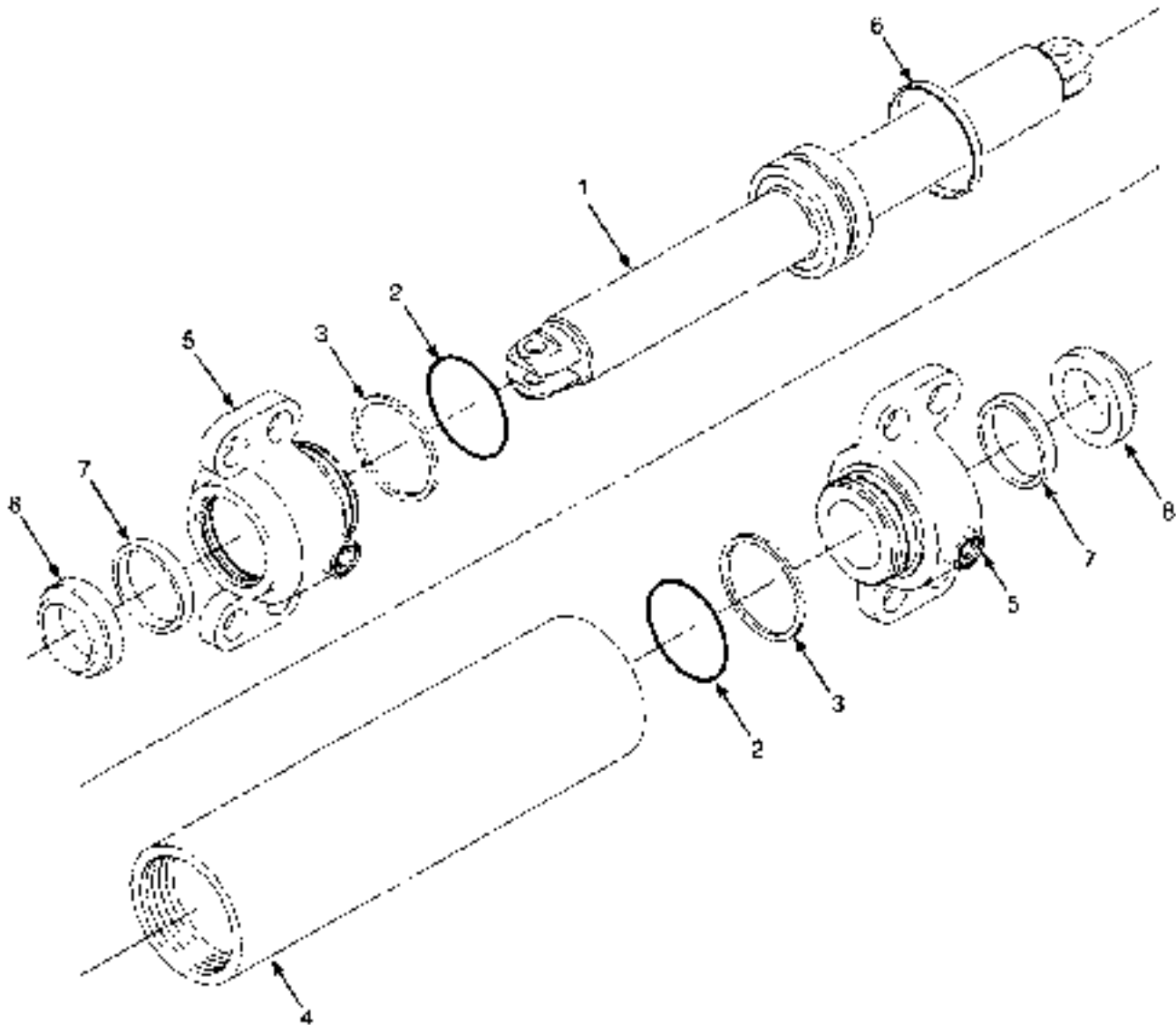


147220442

STEER AXLE

ITEM	PART NO.	DESCRIPTION	QTY
1	1525354	Mount.....	2
2	1388838	Mount.....	2
3	1537400	Steer Axle Frame	1
4	1321174	Steer Cylinder Assembly (see Figure 7-6)	1
5	293896	Cap screw	8
6	58903	Snap Ring	8
7	300752	Washer	8
8	1588271	Pin	4
9	300751	Bushing	4
10	381298	Tie Rod	2
11	15225	Cotter Pin	2
12	249289	Nut	2
13	300786	Sleeve	2
14	98525	Oil Seal	2
15	156184	Bearing Cup	4
16	158185	Bearing Core	4
17	164639	Wear Sleeve	2
18	44542	Oil Seal	2
19	183970	Bearing Cup	2
20	30273	Bearing Core	2
21	1537667	Hub	2
22	317075	Bearing Cup	2
23	1383777	Nut	2
24	69029	Hub Cap	2
25	15227	Cotter Pin	2
26	317076	Bearing Core	2
27	1517836	Wheel Nut	12
28	1502276	Bot	12
29	1313599	Spindle (LH)	1
30	1315425	Spindle (RH)	1
31	13957	Tube Fitting	8
32	284973	Seal	2
33	300787	Spacer	2
34	300765	King Pin	2
35	226988	Pin	2
36	39352	O-Ring	2
37	293848	Cap screw	4
38	320181	Washer	8
39	300937	Locknut	4
40	1543254	Plate	2

STEER CYLINDER (Figure 7-6)

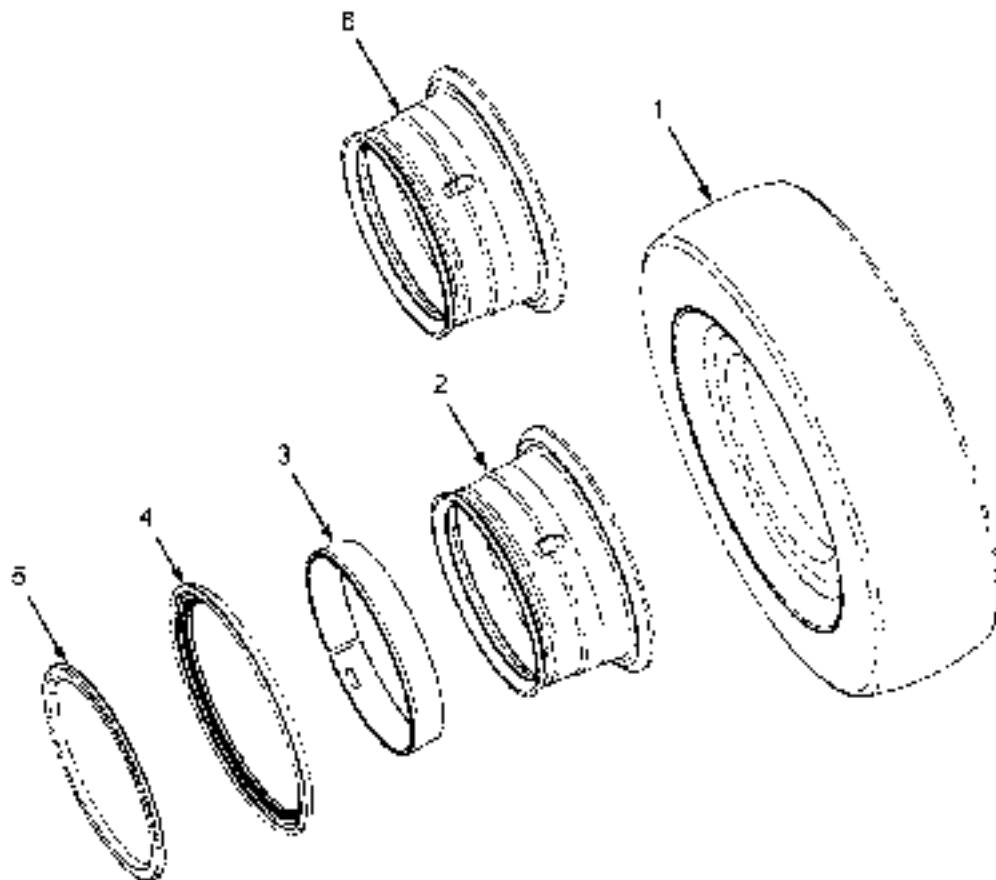


HP22044

STEER CYLINDER

ITEM	PART NO	DESCRIPTION	QTY
	1321174	Steer Cylinder Assembly	1
1	375634	Piston and Rod Assembly	1
1	375636	Piston	1
1	375641	Rod	1
2	130825	O-Ring	2
3	147973	Back-Up Ring	2
4	375635	Shell	1
5	1321149	End Cap	2
6	2044371	Piston Seal	1
7	210183	Seal	2
8	203071	Rod Wiper	2
	1501413	Seal Kit (Includes Items 2-3, 6-8)	1

STEER TIRES AND WHEELS (Figure 7-7) H2.0-2.5FT



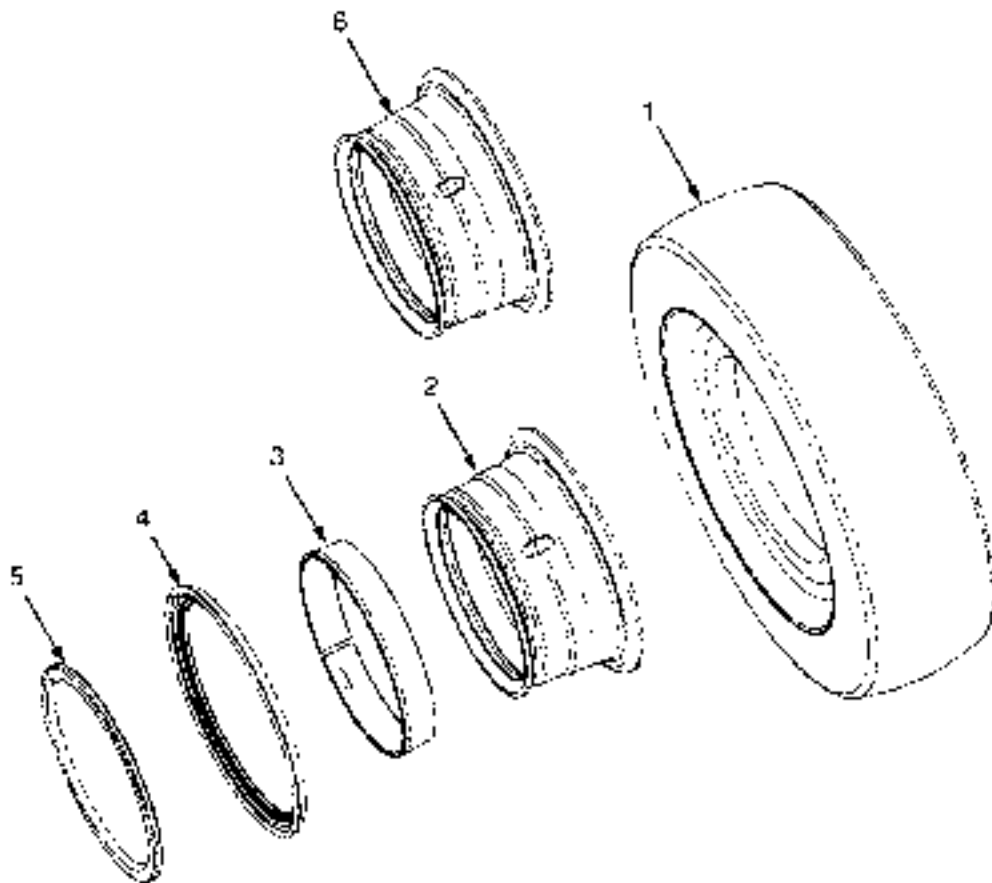
HP000202

**STEER TIRES AND WHEELS
H2.0-2.5FT****KEY:**

- A:** 6.00 x 9.00 Solid Pneumatic
B: 6.00 x 9 Radial
C: 6.00 x 9-12 PR
D: 6.00 x 9 Snap-On Tire

ITEM	PART NO.	DESCRIPTION	QTY			
			A	B	C	D
1	1543059	Tire	2	..	2	..
1	1543062	Tire	2
1	1603491	Tire (Non-Marking)	2
1	1358177	Tire (Miche in XZM)	2
1	1471837	Tire Assembly	2
1	1471921	Valve	1
1	1462616	Tubeless Bead Sea	1
2	2070081	Wheel Assembly	2	2	2	..
3	161885	Side Ring	1	1
4	1584893	tapered Bead Seat Ring	1	1	1	..
5	161884	Locking Ring	1	1	1	..
6	2070083	Wheel	2

STEER TIRES AND WHEELS (Figure 7-8) H2.0-3.5FT



HP070002

**STEER TIRES AND WHEELS
H2.0-3.5FT****KEY:**

A: 6.50 R10 Radial

B: 6.50 x 10 Snap-On Tire

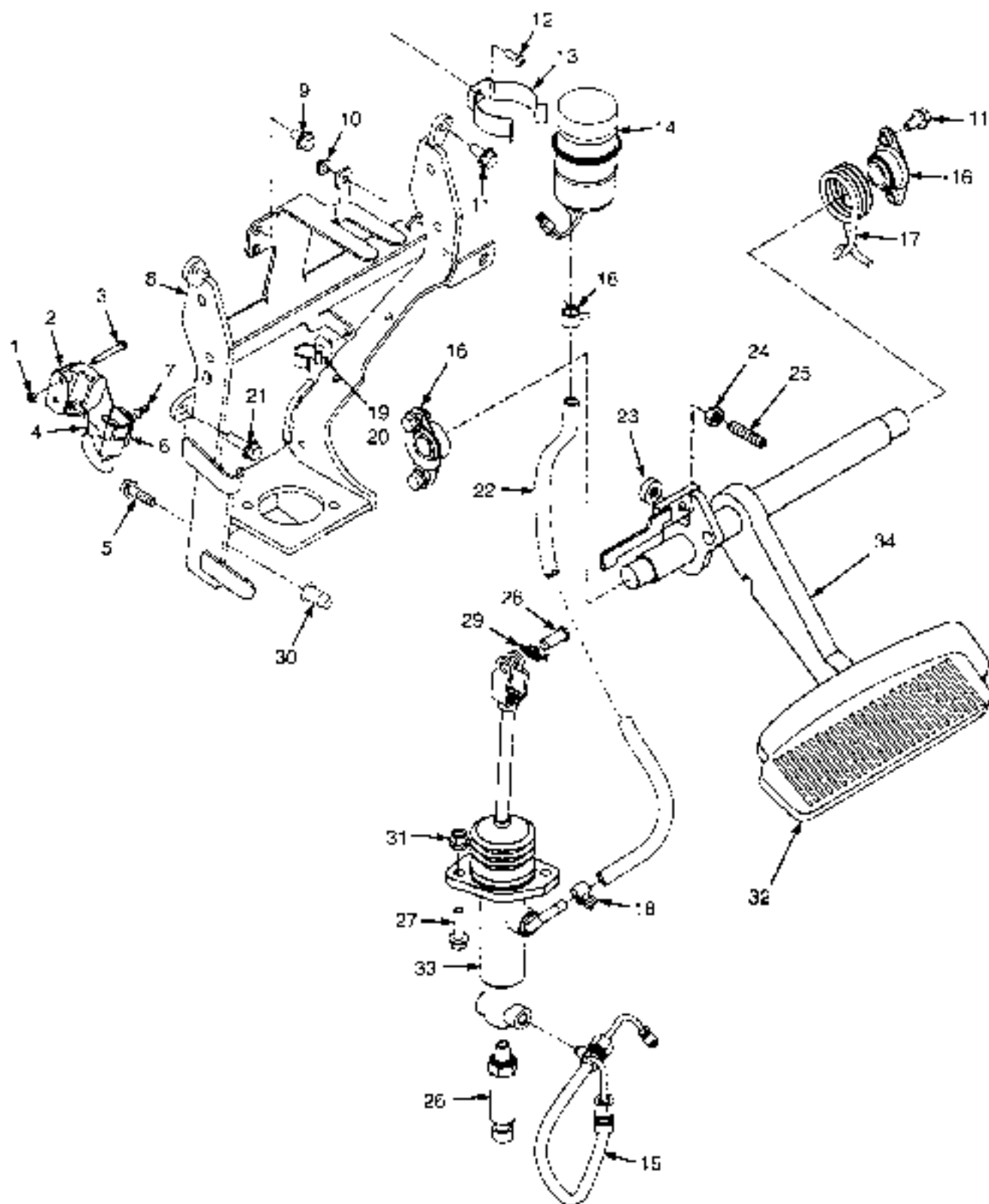
C: 6.50 x 10-12PR

ITEM	PART NO.	DESCRIPTION	QTY		
			A	B	C
1	1539639	Tire		2	..
1	1603493	Tire		2	..
1	1544232	Tire	2
1	1462616	Tubeless Bead Seal	1
1	1471832	Tire Assembly	2
1	1358178	Tire (Michelin XZM)	1
1	1471922	Bead Seal Valve	1
2	2067044	Wheel	2	..	2
3	1580426	Side Ring	1	..	1
4	1590427	Tapered Bead Seal Ring	1	..	1
5	161894	Locking Ring	1	..	1
6	2067045	Wheel		2	..

**SECTION 8
BRAKE SYSTEM**

DESCRIPTION	PAGE
BRAKE ASSEMBLY	
DRY BRAKE	8-10
BRAKE COOLING SYSTEM	
SINGLE AND DUAL PEDAL	
WET BRAKE	8-14
BRAKE LINKAGE	
DUAL PEDAL	
DRY BRAKE	8-4
WET BRAKE	8-8
SINGLE PEDAL	
DRY BRAKE	8-2
WET BRAKE	8-6
PARK BRAKE ASSEMBLY	8-12

BRAKE LINKAGE (Figure 8-1) SINGLE PEDAL DRY BRAKE

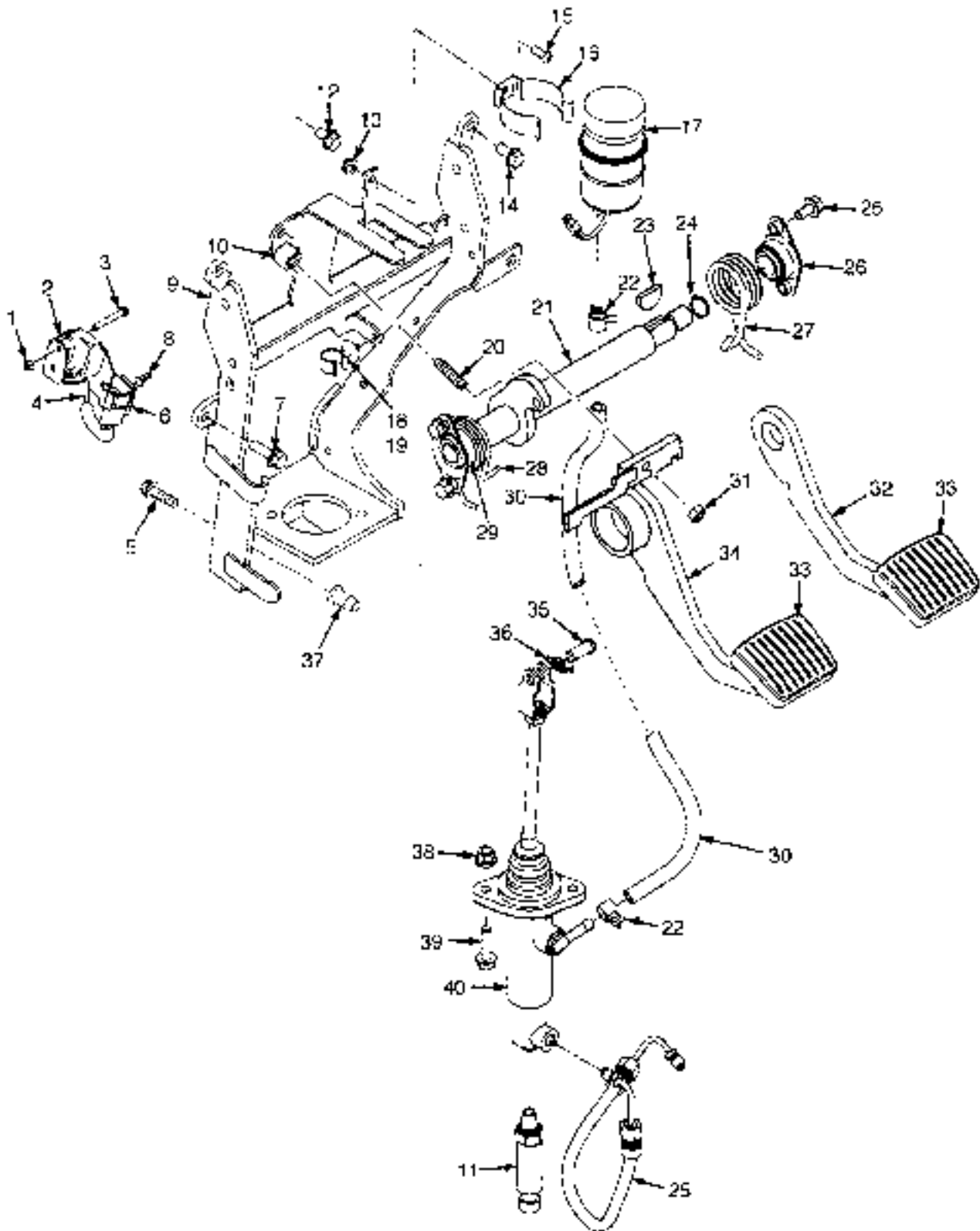


FF050421

**BRAKE LINKAGE
SINGLE PEDAL
DRY BRAKE**

ITEM	PART NO.	DESCRIPTION	QTY
1	302398	Nut	2
2	1531557	Bracket (Inching Sensor)	1
3	1553897	Capscrew	2
4	1547849	Sensor	1
5	1586627	Capscrew	2
6	1500912	Clip	1
7	1564526	Clip	1
8	1570290	Bracket	1
9	1529366	Capscrew	1
10	1514429	Nut (Flange)	1
11	1527879	Capscrew	6
12	1510126	Capscrew (Button Head)	1
13	2021353	Bracket	1
14	2314223	Reservoir Assembly	1
14	2021341	Cap	1
14	2077604	Tank and Switch	1
14	2021343	Packing	1
15	1527879	Capscrew	4
15	2059937	Hose (Brake)	1
16	1585575	Bushing	2
17	1588075	Spring (RH)	1
18	*543698	Clamp (Swivel)	1
19	*543842	Base (Clamp)	1
20	*502003	Clamp	2
21	*583611	Capscrew	2
22	*531569	Hose (Brake Feed)	1
23	1556475	Bumper	1
24	239503	Nut	1
25	1534871	Soft	1
26	1530485	Transducer	1
27	1527881	Capscrew	2
28	1375391	Pin (Rod End)	1
29	1351689	Cotter Pin	1
30	1530243	Insert	2
31	1544153	Lock Nut	2
32	*570298	Rubber Pad	1
33	*538724	Master Cylinder	1
33	*568141	Push Rod	1
33	2041520	Yoke	1
33	1566142	Nut	2
33	1566143	Fitting	1
33	1566144	Gasket	1
33	1566131	Repair Kit	1
34	1588243	Bracket (Pedal)	1

BRAKE LINKAGE (Figure 8-2) DUAL PEDAL DRY BRAKE

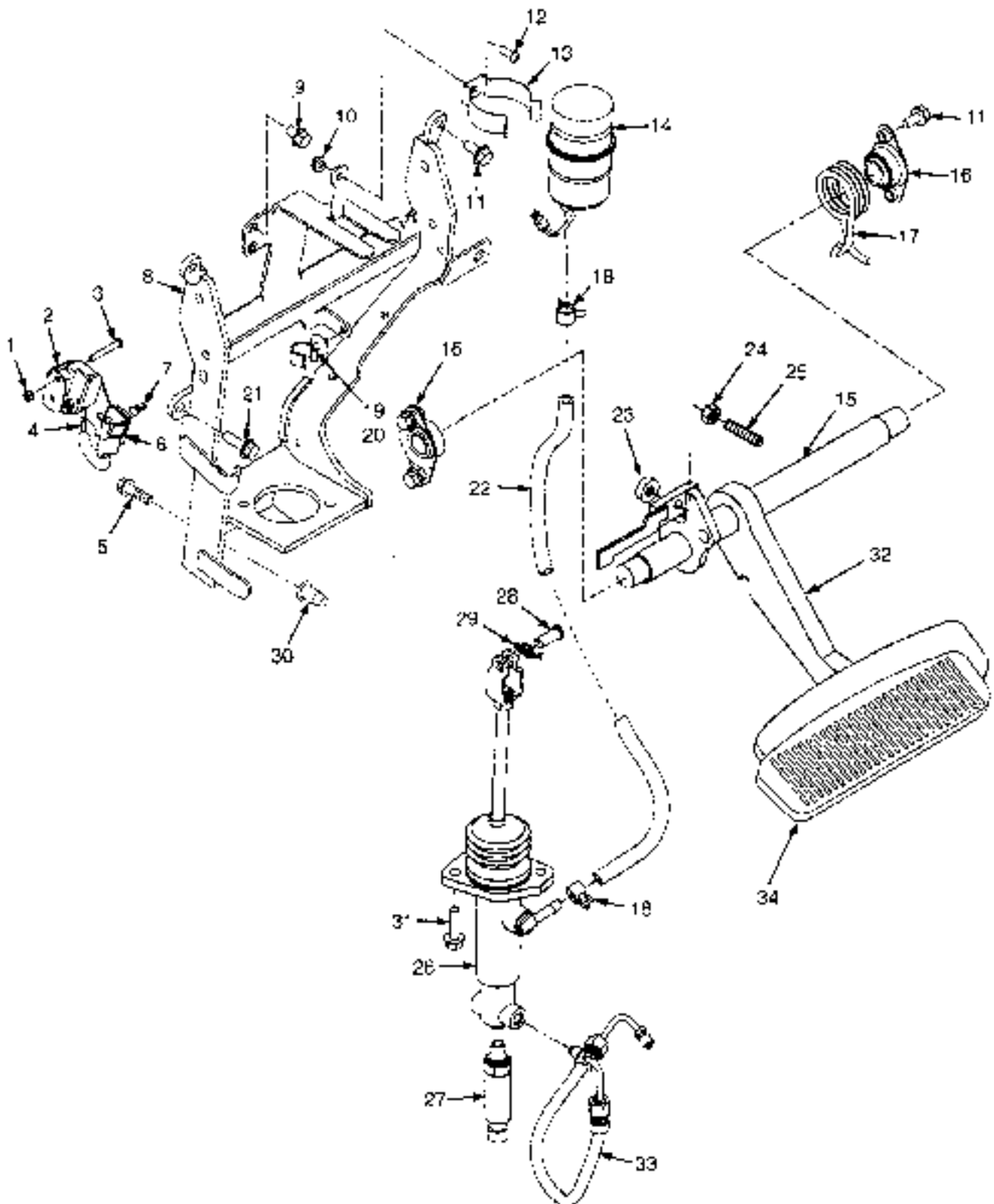


HP040422

**BRAKE LINKAGE
DUAL PEDAL
DRY BRAKE**

ITEM	PART NO.	DESCRIPTION	QTY
1	302388	Nut	2
2	1531567	Bracket (Inching Sensor)	1
3	1553897	Capscrew	2
4	1547849	Sensor	1
5	1586627	Capscrew	2
6	1500912	Cl-p (Connector)	1
7	1583611	Capscrew	2
8	1564526	Cl-p (Key Hole)	1
9	1570290	Bracket	1
10	1556175	Bumper	1
11	1530485	Transducer	1
12	1529366	Capscrew	1
13	1514429	Nut (Flange)	1
14	1527879	Capscrew	6
15	1510126	Capscrew (Butter Head)	1
16	2021353	Bracket	1
17	2314223	Reservoir Assembly	1
17	2021341	Cap	1
17	2077604	Tank and Switch	1
17	2021343	Packing	1
18	1543698	Clamp (Swivel)	1
19	1543812	Base (Clamp)	1
20	1534871	Bolt	1
21	1568253	Crank	1
22	1502003	Clamp	2
23	206	Woodruff Key	1
24	12929	Snap Ring	1
25	2059937	Hose (Brake)	1
26	1585575	Bushing	2
27	1568076	Spring (RH)	1
28	1568077	Spring (LH)	1
29	244540	Bushing	2
30	1531569	Hose (Brake Feed)	1
31	239503	Nut	1
32	1568255	Brake Pedal (RH)	1
33	1570300	Pad	2
34	1568245	Brake Pedal (LH)	1
35	1375381	Pin (Rod End)	1
36	1351689	Coil Spring	1
37	1530243	Insert	2
38	1544153	Lock Nut	2
39	1527881	Capscrew	2
40	1538724	Master Cylinder	1
40	1568141	Push Rod	1
40	2041520	Yoke	1
40	1568142	Nut	2
40	1568144	Gasket	1
40	1568143	Fitting	1
40	1568131	Repair Kit	1

BRAKE LINKAGE (Figure 8-3) SINGLE PEDAL WET BRAKE

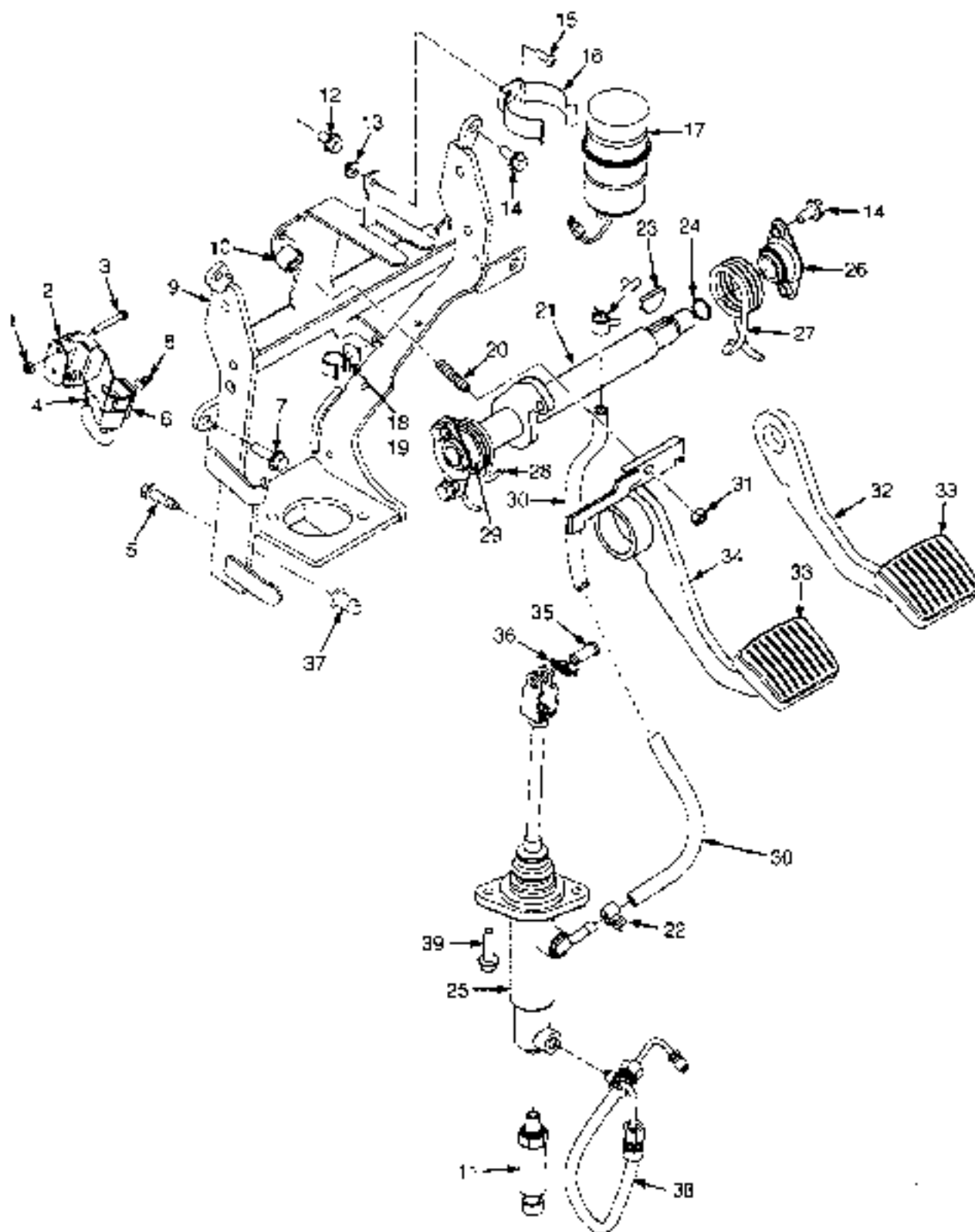


HP003417

**BRAKE LINKAGE
SINGLE PEDAL
WET BRAKE**

ITEM	PART NO.	DESCRIPTION	QTY
1	302398	Nut.....	2
2	1531567	Bracket.....	1
3	1553897	Cap screw	2
4	1547849	Sensor.....	1
5	1529482	Cap screw.....	2
6	1500912	Clip.....	1
7	1564526	Clip.....	1
8	1574153	Bracket.....	1
9	1529386	Cap screw	1
10	1514429	Nut (Flange).....	1
11	1527879	Cap screw.....	6
12	1510126	Cap screw (Button Head)	1
13	2021553	Bracket.....	1
14	1580211	Reservoir Assembly	1
14	1806008	Brake Reservoir Kit	1
15	1579026	Crank.....	1
16	1531568	Bushing.....	2
17	1568075	Spring (RH)	1
18	1543698	Clamp (Swivel)	1
19	1543642	Base (Clamp)	1
20	1502003	Clamp.....	2
21	1593611	Cap screw.....	2
22	211882	Hose (Brake Feed)	1
23	1556475	Bumper.....	1
24	239503	Nut	1
25	1534871	Bot	1
26	1573675	Master Cylinder	1
26	1596179	Repair Kit (Major)	1
27	1530485	Transducer.....	1
28	1375391	Pin (Rod End)	1
29	1351889	Collar Pin	1
30	1530243	Insert.....	2
31	1527880	Cap screw.....	4
32	1579027	Pedal.....	1
33	2076858	Hose (Brake)	1
34	1570298	Rubber Pad.....	1

BRAKE LINKAGE (Figure 8-4) DUAL PEDAL WET BRAKE

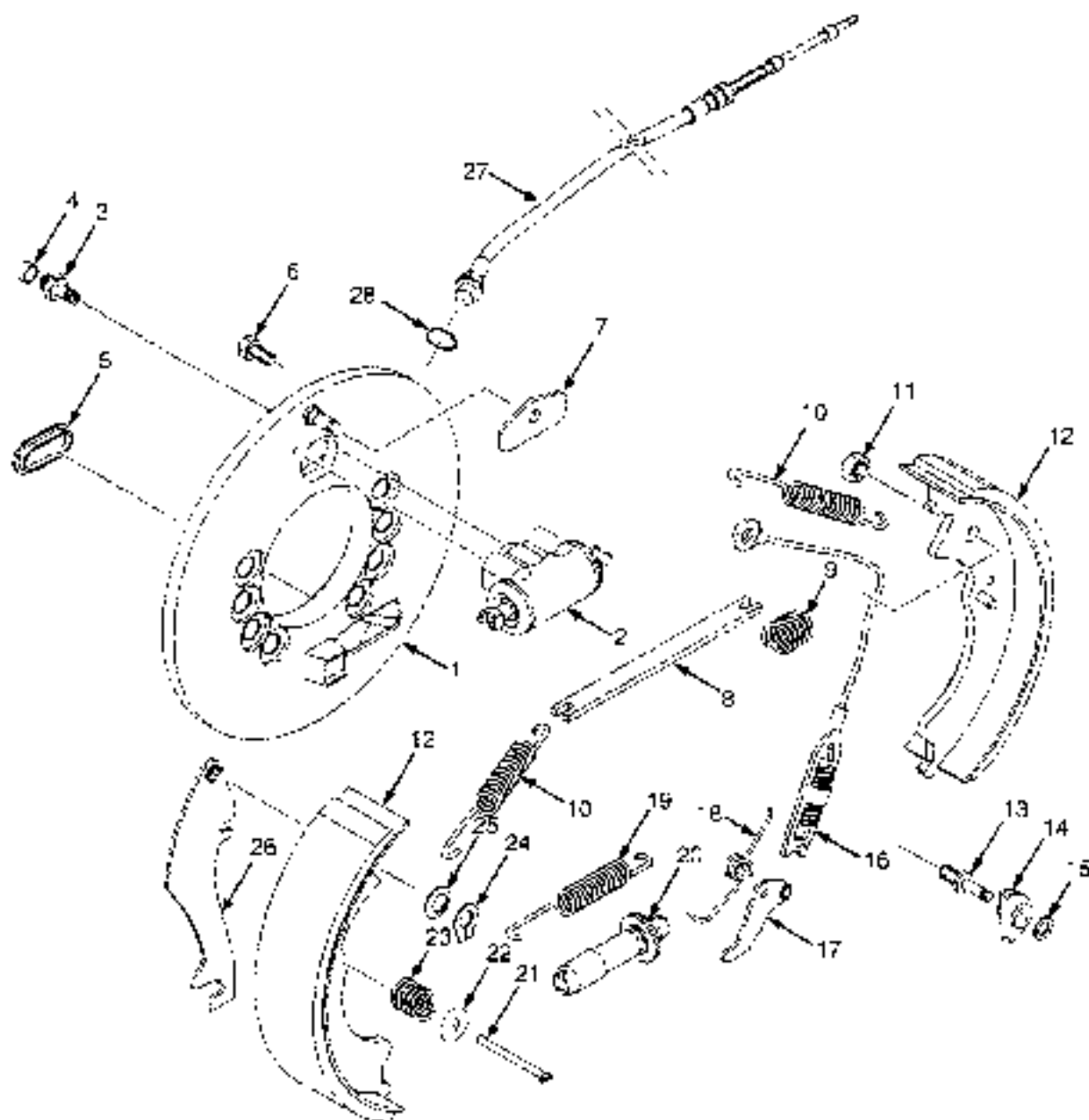


HP240414

**BRAKE LINKAGE
DUAL PEDAL
WET BRAKE**

ITEM	PART NO.	DESCRIPTION	QTY
1	30239E	Nut	2
2	15315E7	Bracket.....	1
3	1553897	Capscrew	2
4	1547849	Sensor	1
5	1528482	Capscrew.....	2
6	1500912	Clip (Connector)	1
7	1583611	Capscrew.....	2
8	1564528	Clip (Key Hole).....	1
9	1574153	Bracket.....	1
10	1558475	Bumper	1
11	1530485	Transducer.....	1
12	1529366	Capscrew.....	1
13	1514429	Nut (Flange).....	1
14	1527879	Capscrew.....	8
15	1510126	Capscrew (Button Head)	1
16	202* 353	Bracket.....	1
17	1589211	Reservoir Assembly.....	1
17	1608006	Brake Reservoir Kit	1
18	1543698	Clamp (Swivel)	1
19	1543842	Base (Clamp).....	1
20	1534871	Bot	1
21	1578028	Crank	1
22	1502003	Clamp	2
23	206	Woodruff Key	1
24	12929	Snap Ring.....	1
25	1573675	Master Cylinder	1
25	1598179	Repair Kit.....	1
26	1531568	Bushing.....	2
27	1568076	Spring (RH).....	1
28	1568077	Spring (LH)	1
29	244540	Bushing.....	2
30	211882	Hose (Brake Feed)	1
31	239533	Nut	1
32	1568258	Brake Pedal (RH)	1
33	1570300	Pad	2
34	1568245	Brake Pedal (LH)	1
35	1375391	Pin (Rod End)	1
36	1351889	Cotter Pin	1
37	1530243	Insert.....	2
38	2076858	Hose (Brake)	1
39	1527860	Capscrew	4

BRAKE ASSEMBLY (Figure 8-5) DRY BRAKE

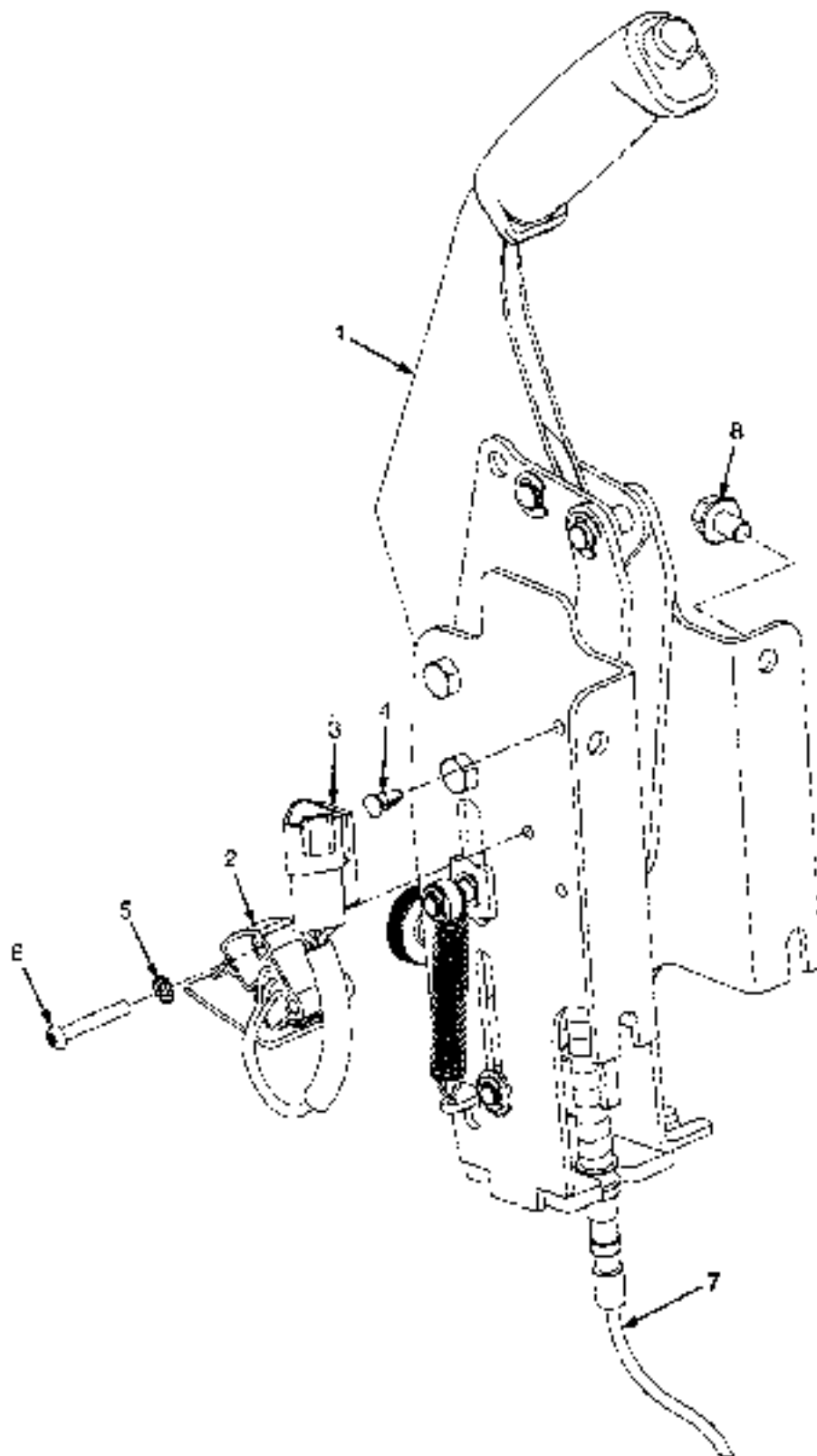


8P043047

**BRAKE ASSEMBLY
DRY BRAKE****KEY:****A: RH****B: LH**

ITEM	PART NO.	DESCRIPTION	QTY	
			A	B
	1579455	Brake Assembly (With Cable and Dust Shield).....	1	..
	1579454	Brake Assembly (With Cable and Dust Shield);	1
	1806086	Brake Assembly (Without Cable)	1	..
	1806085	Brake Assembly (Without Cable).....	..	1
1	1806088	Backing Plate	1	..
1	1808087	Backing Plate	1
2	1565290	Wheel Cylinder Assembly	1	1
2	1334647	Repair Kit	1
3	1361503	Bleeder Screw	1
4	1361504	Bleeder Cap.....	..	1
5	1334642	Cover.....	1	1
6	1565303	Bolt.....	2	2
7	2037343	Guide	1
8	1360796	Strut
8	1361507	Strut	1
9	1360797	Spring.....	..	1
10	Spring.....	1	1
11	Nut	1	1
12	1565314	Shoe and Lining Kit	1	..
12	1565313	Shoe and Lining Kit.....	..	1
13	Pin	1	1
14	1334644	Sheave	1	1
15	1361500	Washer.....	1	1
16	Cable and Spring Assembly.....	1	1
17	2037518	Lever	1	..
17	2037517	Lever	1
18	Spring.....	1	1
19	2037340	Spring.....	1	1
20	1600492	Adjuster.....	1	..
20	1600491	Adjuster.....	..	1
21	2037323	Pin	1	1
22	2037341	Cup	1	1
23	Spring.....	1	1
24	1338916	Retainer	1	1
25	1338917	Washer.....	1	1
26	Park Brake Lever.....	1	1
27	1565305	Cable	1	..
27	1600493	Cable	1
28	1361502	Snap Ring	1	1
	1565316	Spring Kit (Includes Item 10)	1	1
	1565310	Auto Adjuster Kit (RH) (Includes Items 16-19)	1	..
	1565309	Auto Adjuster Kit (LH) (Includes Items 16-19)	1
	1565311	Park Brake Kit (LH) (Includes Items 9-9, 24-26)	1
	1565312	Park Brake Kit (RH) (Includes Items 8-9, 24-26)	1	..
	1565315	Shoe Hold Down Kit (Includes Items 21-23)	1

PARK BRAKE ASSEMBLY (Figure 8-6)



HP040419

PARK BRAKE ASSEMBLY**KEY:**

A: Without Cab - Dry Brakes

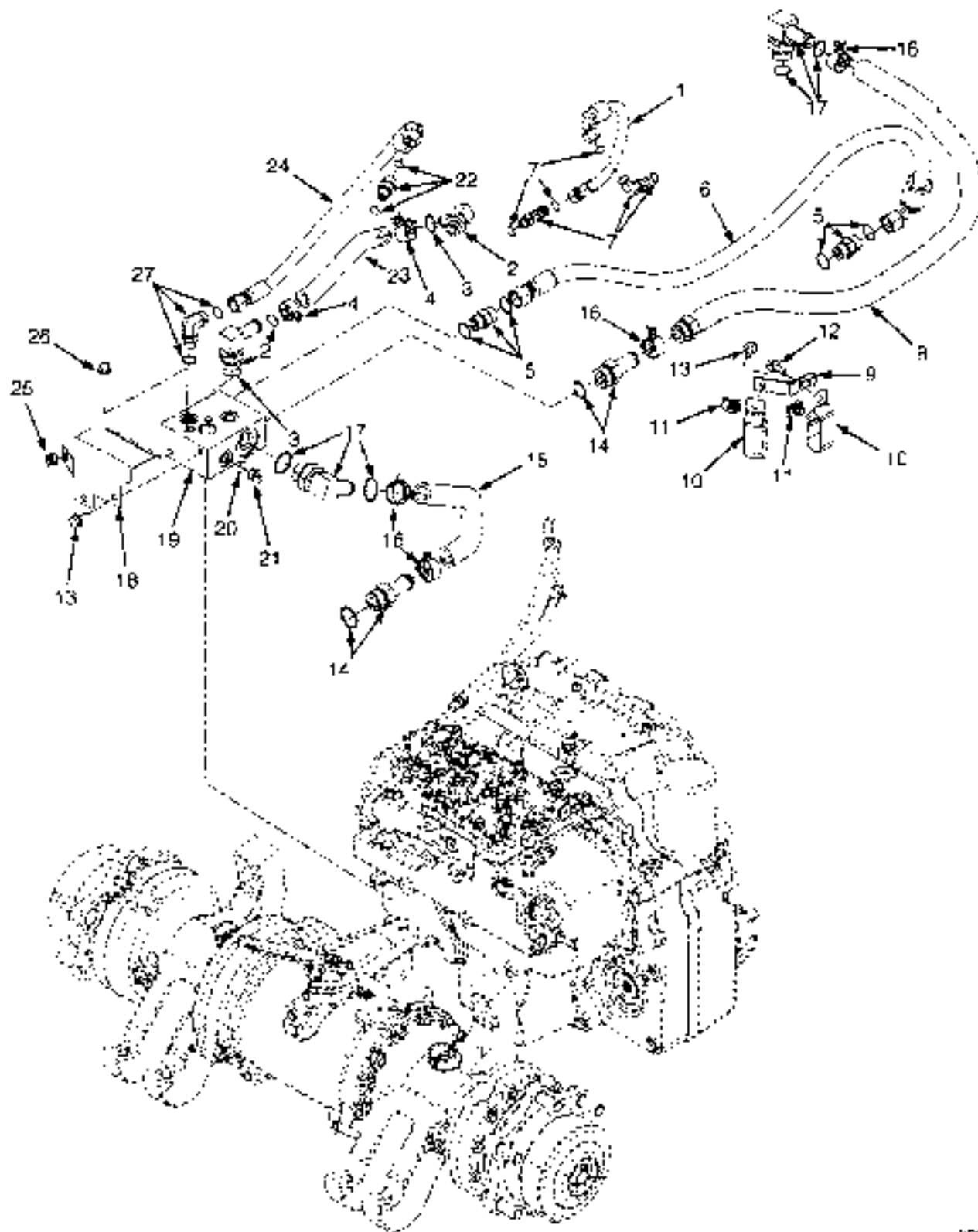
B: With Cab - Dry Brakes

C: Without Cab - Wet Brakes

D: With Cab - Wet Brakes

ITEM	PART NO.	DESCRIPTION	QTY			
			A	B	C	D
1	1544466	Park Brake Assembly..	1
1	1548181	Park Brake Assembly	1	.	..
1	1551493	Park Brake Assembly..
1	1551494	Park Brake Assembly..	1
2	1547849	Sensor.....	1	1	1	1
3	1500912	Clip	1	1	1	1
4	1564526	Clip.....	1	1	1	1
5	296378	Washer.....	2	2	2	2
6	1553897	Capscrew	2	2	2	2
7	2072905	Cable.....	.	.	2	2
7	1600493	Cable (LH).....	1	1
7	1565305	Cable (RH)	1	1	.	..
8	1529366	Capscrew	4	4	4	4
	133683	Pin (Not Illustrated)	1	1
	1530010	Collet Pin (Not Illustrated)	1	1

BRAKE COOLING SYSTEM (Figure 8-7) SINGLE AND DUAL PEDAL WET BRAKE



HP081640

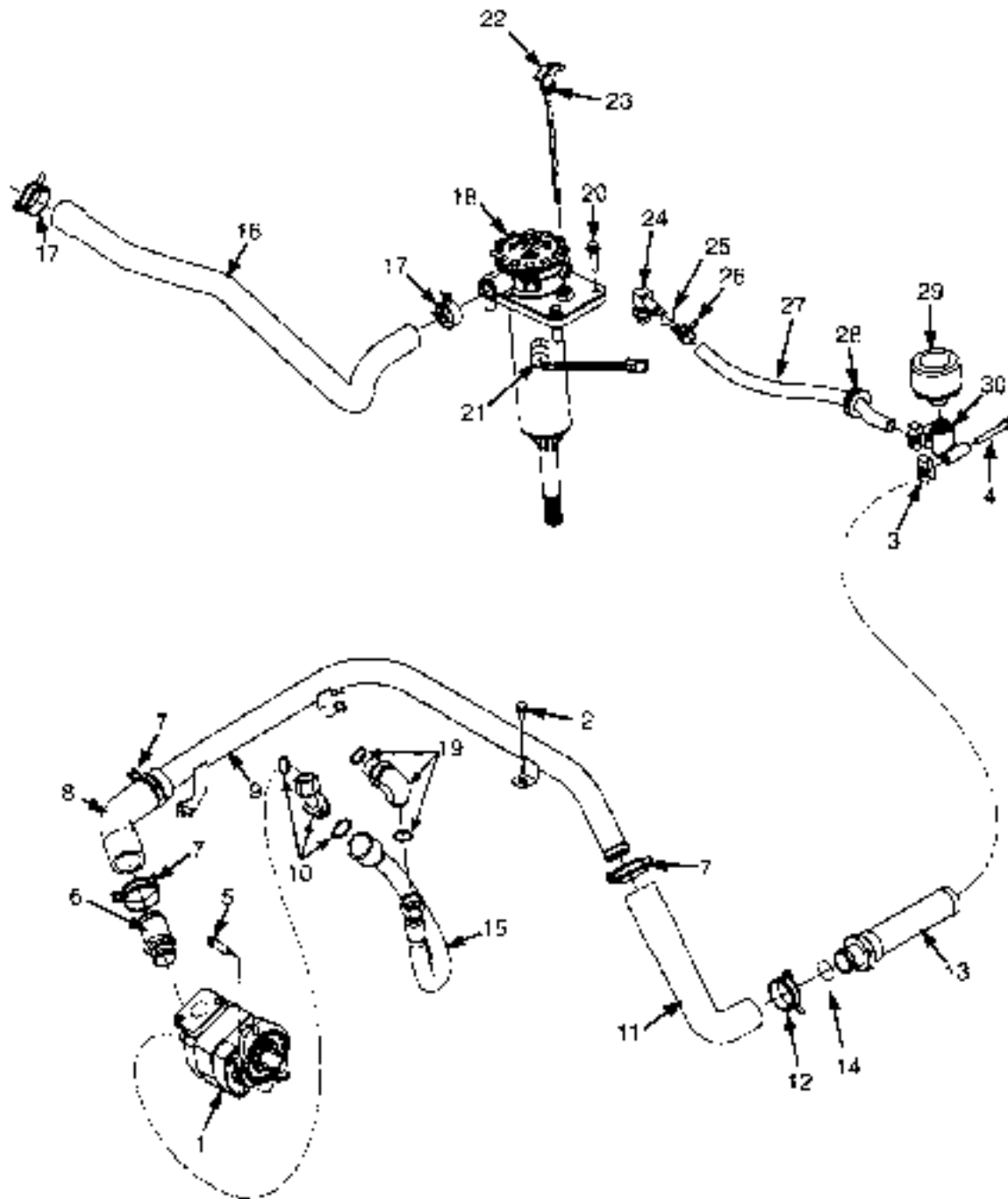
**BRAKE COOLING SYSTEM
SINGLE AND DUAL PEDAL
WET BRAKE**

ITEM	PART NO.	DESCRIPTION	QTY
1	2076656	Hose	1
2	222512	Fitting	1
2	16485	O-Ring	1
3	265731	O-Ring	1
4	1502008	Clamp	2
5	1473887	Fitting	2
5	16484	O-Ring	2
5	265787	O-Ring	2
6	2076635	Hose	1
7	1487058	Fitting	2
7	16481	O-Ring	2
7	1527813	O-Ring	2
8	2072899	Hose	1
9	1580683	Bracket	1
10	1562648	Clip	2
11	1480237	Clip Nut	3
12	1527880	Capscrew	1
13	1527879	Capscrew	4
14	17758	Fitting	2
14	16486	O-Ring	2
15	2072897	Hose	1
16	1502009	Clamp	2
17	17775	Fitting	2
17	16486	O-Ring	2
18	1588577	Bracket	1
19	2072809	Manifold	1
20	16483	O-Ring	1
21	222443	Fitting	1
22	1486740	Fitting	1
22	1527813	O-Ring	1
22	265787	O-Ring	1
23	2072901	Hose	1
24	2072900	Hose	1
25	1531557	Insert	1
26	1510116	Capscrew	2
27	1487063	Fitting	1
27	1527813	O-Ring	1
27	265787	O-Ring	1

**SECTION 9
HYDRAULIC SYSTEM**

DESCRIPTION	PAGE
AUXILIARY ONE AND TWO MANUAL CONTROL VALVE THREE AND FOUR FUNCTION.....	9-22
AUXILIARY ONE SECTION ELECTRONIC CONTROL THREE AND FOUR FUNCTION.....	9-30
AUXILIARY TWO SECTION ELECTRONIC CONTROL FOUR FUNCTION.....	9-32
CONTROL VALVE ASSEMBLY ELECTRONIC CONTROL THREE AND FOUR FUNCTION.....	9-26
MANUAL CONTROL THREE AND FOUR FUNCTION.....	9-18
ELECTRO-HYDRAULIC POPPET VALVE ELECTRONIC CONTROL LIFT AND LOWER.....	9-38
GEAR PUMP	9-4
HAND LEVERS FOUR FUNCTION WITH DETENTED LEVERS.....	9-4
WITHOUT DETENTED LEVERS.....	9-16
THREE FUNCTION WITH DETENTED LEVERS.....	9-10
WITHOUT DETENTED LEVERS.....	9-12
HYDRAULIC FILTER.....	9-6
HYDRAULIC HOSES LIFT, TILT, AND AUXILIARY	9-8
HYDRAULIC SUPPLY AND RETURN.....	9-2
OUTLET SECTION ELECTRONIC CONTROL THREE AND FOUR FUNCTION.....	9-36
MANUAL CONTROL VALVE THREE AND FOUR FUNCTION	9-24
TILT CYLINDER AND MAST INSTALLATION	9-40
TILT CYLINDERS 42.0-2.5FT.....	9-42
43.0-3.5FT.....	9-44
TILT SECTION ELECTRONIC CONTROL THREE AND FOUR FUNCTION	9-34
VALVE ASSEMBLY, LIFT AND LOWER ELECTRONIC CONTROL VALVE THREE AND FOUR FUNCTION	9-28
VALVE ASSEMBLY, LIFT AND TILT MANUAL CONTROL VALVE THREE AND FOUR FUNCTION	9-20

HYDRAULIC SUPPLY AND RETURN (Figure 9-1)



HP150173

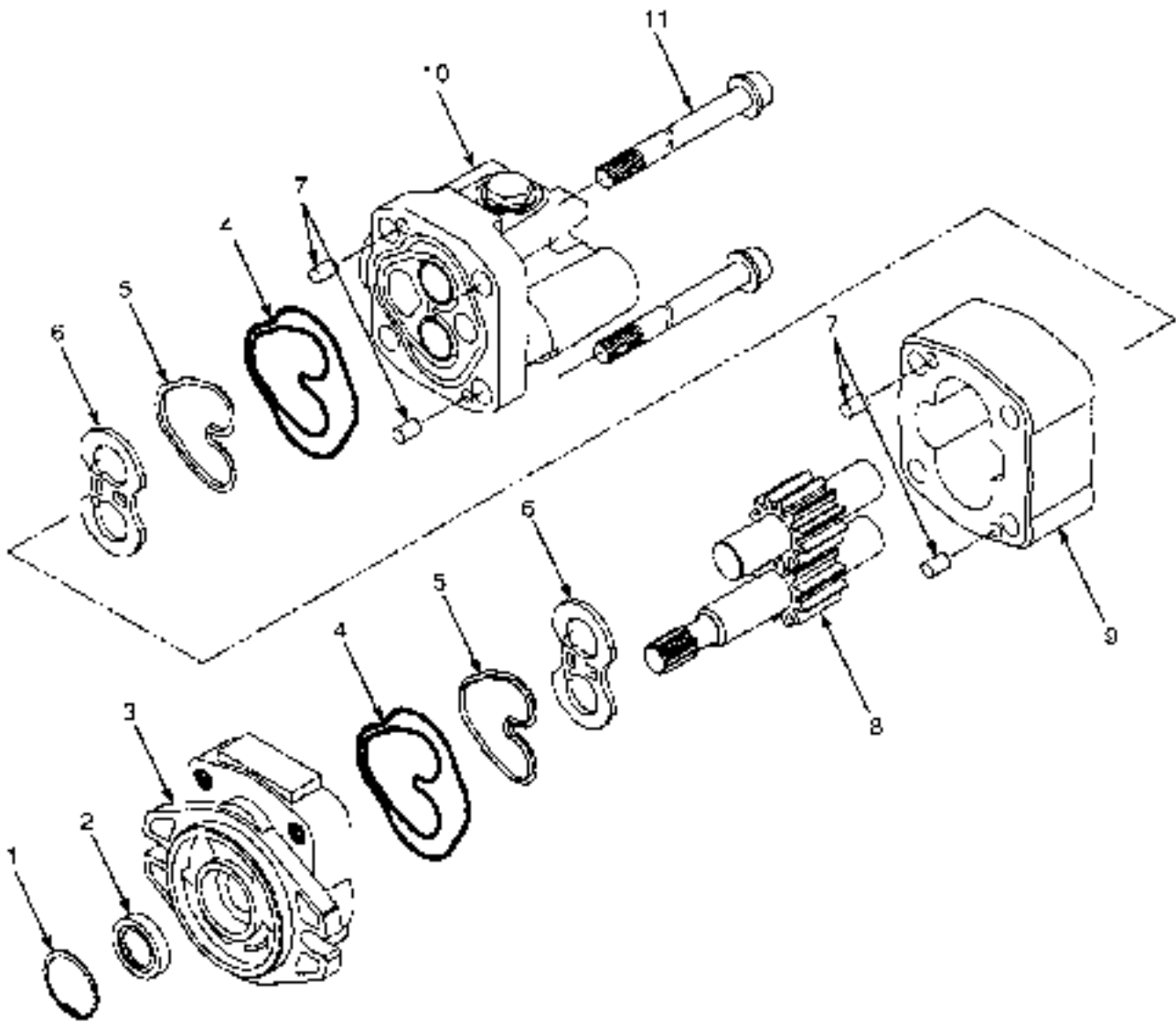
HYDRAULIC SUPPLY AND RETURN

ITEM	PART NO.	DESCRIPTION	QTY
1	a 2067802	Gear Pump (See Figure 9-2)	1
1	a 2067803	Gear Pump (See Figure 9-2)	1
1	b 2067800	Gear Pump (See Figure 9-2)	1
1	b 2067801	Gear Pump (See Figure 9-2)	1
1	c 2074230	Gear Pump (See Figure 9-2)	1
1	c 2074211	Gear Pump (See Figure 9-2)	1
2	1527879	Capscrew	3
3	1993879	Slip Nut	2
4	1510116	Capscrew	2
5	1564515	Capscrew	2
6	1588199	Adapter	1
7	1501992	Clamp	3
8	2069005	Hose	1
9	2068947	Tube	1
10	1528596	Fitting	1
10	16485	O-Ring	2
10	252729	O-Ring	1
11	2061778	Hose	1
12	1527982	Clamp	1
13	1526186	Strainer	1
14	16984	O-Ring	1
15	2070114	Hose	1
16	2076408	Hose	1
17	369804	Clamp	2
18	1544975	Filter Assembly (See Figure 9-3)	1
19	1487069	Fitting	1
19	252729	O-Ring	1
19	16486	O-Ring	1
20	1586627	Capscrew	4
21	2068337	Pressure Switch	1
22	2060751	Dipstick	1
23	1580682	O-Ring	1
24	222510	Fitting	1
25	16484	O-Ring	1
26	1502007	Clamp	2
27	127918	Hose	1
28	1527385	Grommet	1
29	1582161	Breather	1
30	1582160	Adapter	1

FOOTNOTES:

- a For Use With GM Engines
- b For Use With Mazda Engines
- c For Use With Yanmar Diesel Engines

GEAR PUMP (Figure 9-2)



01150000

GEAR PUMP

KEY:

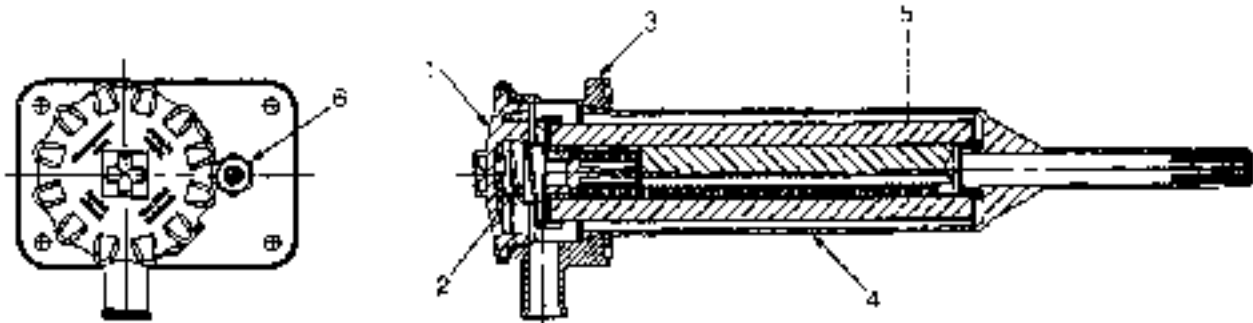
- A:** Mazda
- B:** GM
- C:** Yanmar

ITEM	PART NO.	DESCRIPTION	QTY		
			A	B	C
	a 2067801	Gear Pump	1
	b 2067803	Gear Pump	1
	a 2074211	Gear Pump	1	..
	b 2074230	Gear Pump	1	..
	a 2067803	Gear Pump	1
	b 2067802	Gear Pump	1
1	Snap Ring	1	1	1
2	..	O I Seal	1	1	1
3	a 1578664	Flange Mounting.....	1	1	1
3	b 1581536	Flange Mounting..	1	1	1
4	..	Back-Up Seal	2	2	2
5	Plate Seal	2	2	2
6	1578673	Side Plate	2	2	2
7	1578672	Dowel Pin	4	4	4
8	1581537	Gear Set	1
8	1584987	Gear Set	1	..
8	1581534	Gear Set	1
8	Drive Gear.....	1	1	1
8	..	Driven Gear	1	1	1
9	Gear Plate.....	1	1	1
10	a 1578665	Cover	1	1	1
10	b 1581535	Cover	1	1	1
11	1578671	Screw	4	4	..
11	1578693	Screw	4
	1485140	Seal Kit (Includes Items 1-2, 4-5)	1	1	1

FOOTNOTES:

- a High Pressure
- b Low Pressure

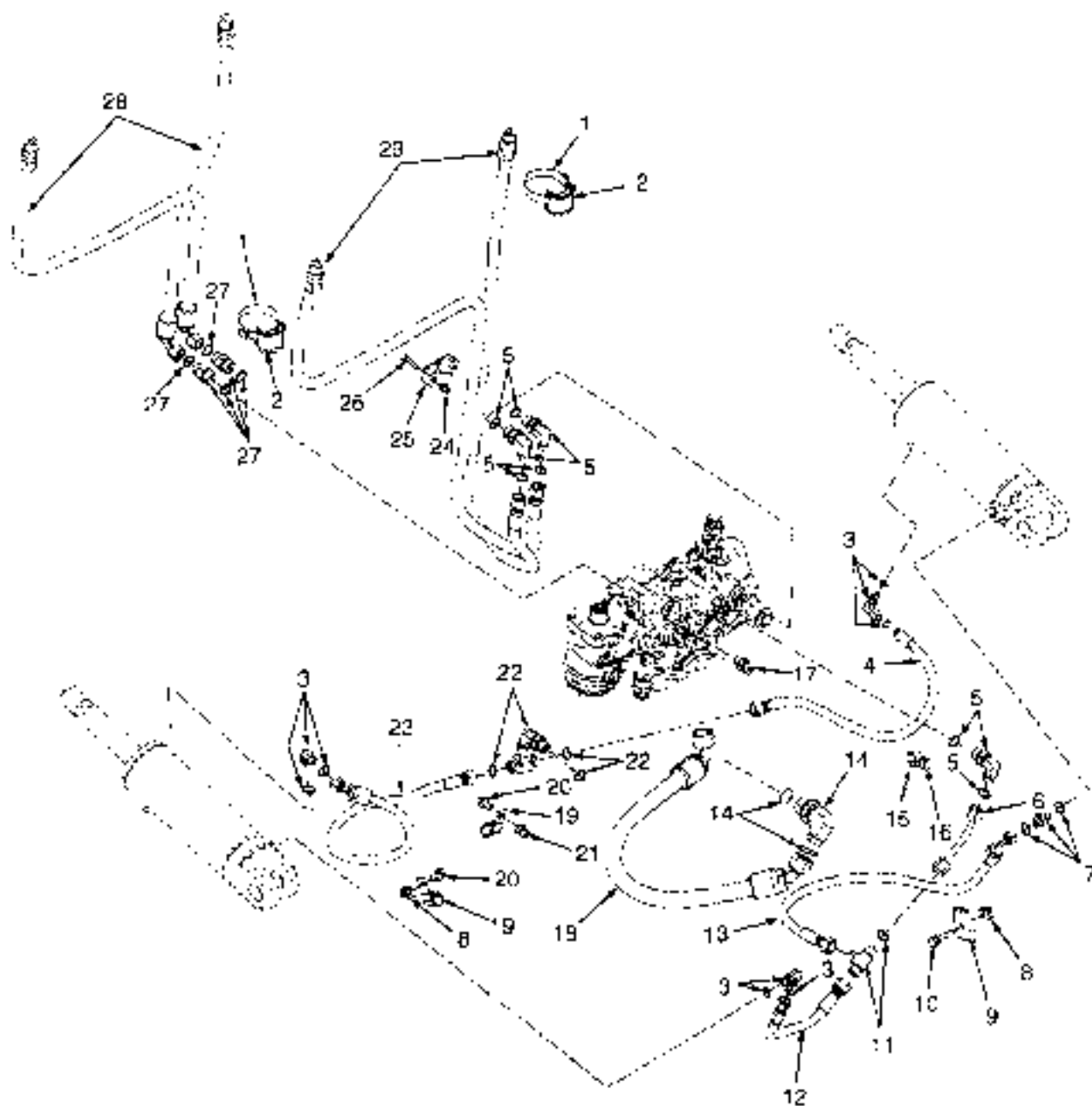
HYDRAULIC FILTER (Figure 9-3)



BP162095

ITEM	PART NO.	DESCRIPTION	QTY
1	1544975	Filter Assembly	1
1	1570338	Filter Lid	1
1	Gasket	1
2	1570340	Spring	1
3	1570342	Filter Head	1
3	209457	Quad Ring	1
3	1459*	Fitting	1
3	1648*	O-Ring	1
4	1570346	Filter Canister	1
4	O-Ring	1
5	2070611	Element	1
5	O-Ring	1
6	1568* 82	Dipstick Assembly	1
6	O-Ring	1
	1570337	Seal Kit (Includes Items 1, 3-6)	1

HYDRAULIC HOSES (Figure 9-4) LIFT, TILT, AND AUXILIARY



HP150004

**HYDRAULIC HOSES
LIFT, TILT, AND AUXILIARY**

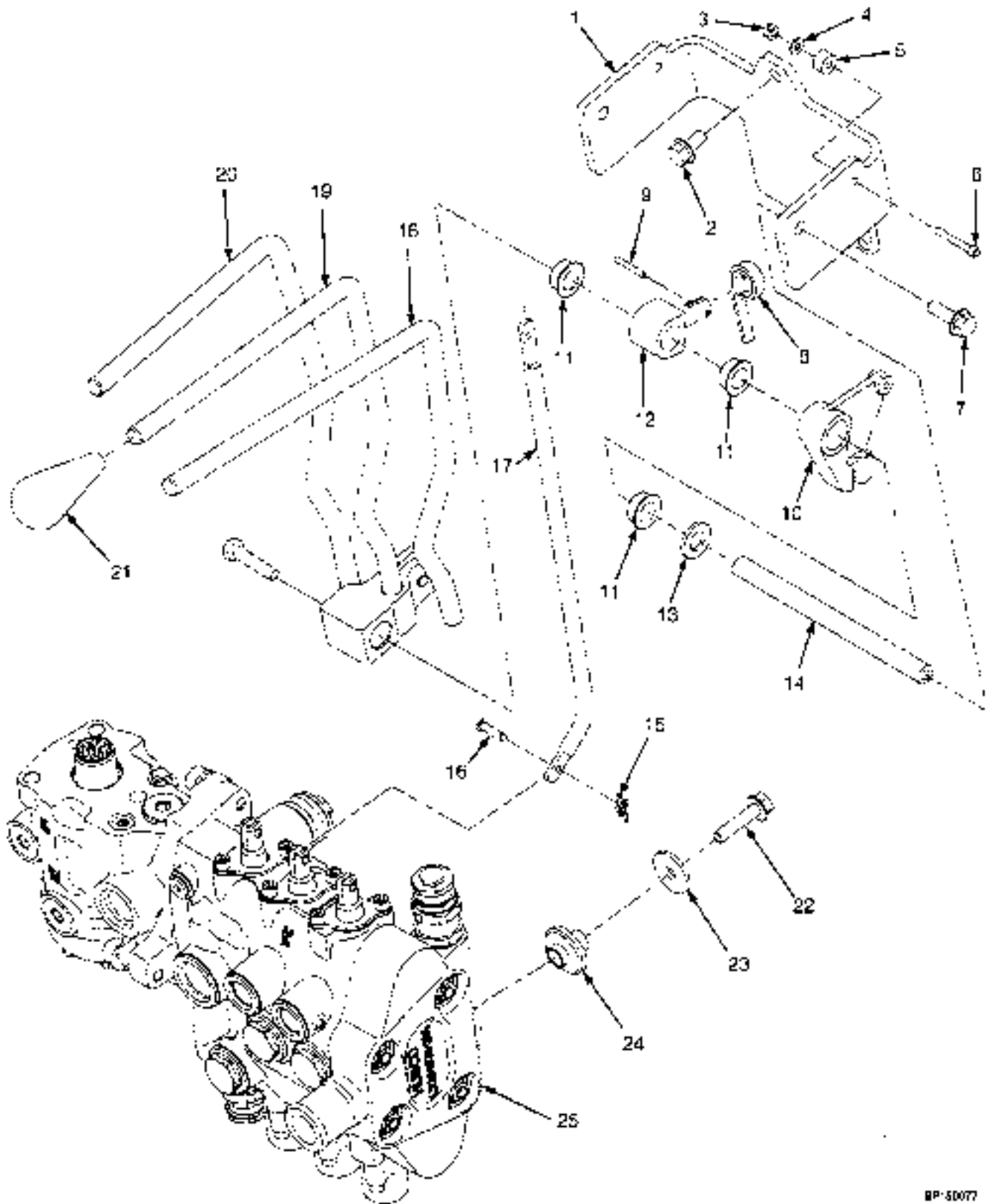
KEY:

A: Three Function

B: Four Function

ITEM	PART NO.	DESCRIPTION	QTY	
			A	B
1	1481229	Clamp	2	2
2	1477998	Clamp	2	2
3	1487058	Fitting	3	3
3	1527813	O-Ring	3	3
3	16481	O-Ring	3	3
4	2075630	Hose	1	1
5	1487061	Fitting	3	3
5	265787	O-Ring	3	3
5	16484	O-Ring	3	3
6	2074327	Tube	1	1
7	1488737	Fitting	1	1
7	16481	O-Ring	1	1
7	1527813	O-Ring	-	-
8	1480237	Clo Nut	2	2
9	1359620	Clamp	1	1
10	1586627	Cap screw	1	1
11	1522425	Fitting	1	1
11	265787	O-Ring	1	-
12	2074328	Hose	1	1
13	2077092	Hose	1	1
14	1487069	Fitting	1	1
14	252729	O-Ring	-	-
14	16486	O-Ring	-	-
15	1502055	Clamp	1	-
16	1502059	Clamp	-	-
17	2081648	Fitting	-	-
18	2070148	Hose	-	1
19	325804	Clamp	2	2
20	1527879	Cap screw	2	2
21	1530243	Insert	-	1
22	1488484	Fitting	-	1
22	265787	O-Ring	3	3
23	2074325	Hose	1	1
24	1531558	Insert	2	-
25	1360386	Clamp	-	-
26	293796	Cap screw	2	-
27	1486742	Fitting	2	2
27	265787	O-Ring	2	2
27	16484	O-Ring	2	2
28	2065051	Hose	2	-
28	2065052	Hose	-	2
29	2073495	Hose	2	-
29	2073496	Hose	-	2

HAND LEVERS (Figure 9-5) THREE FUNCTION WITH DETENTED LEVERS

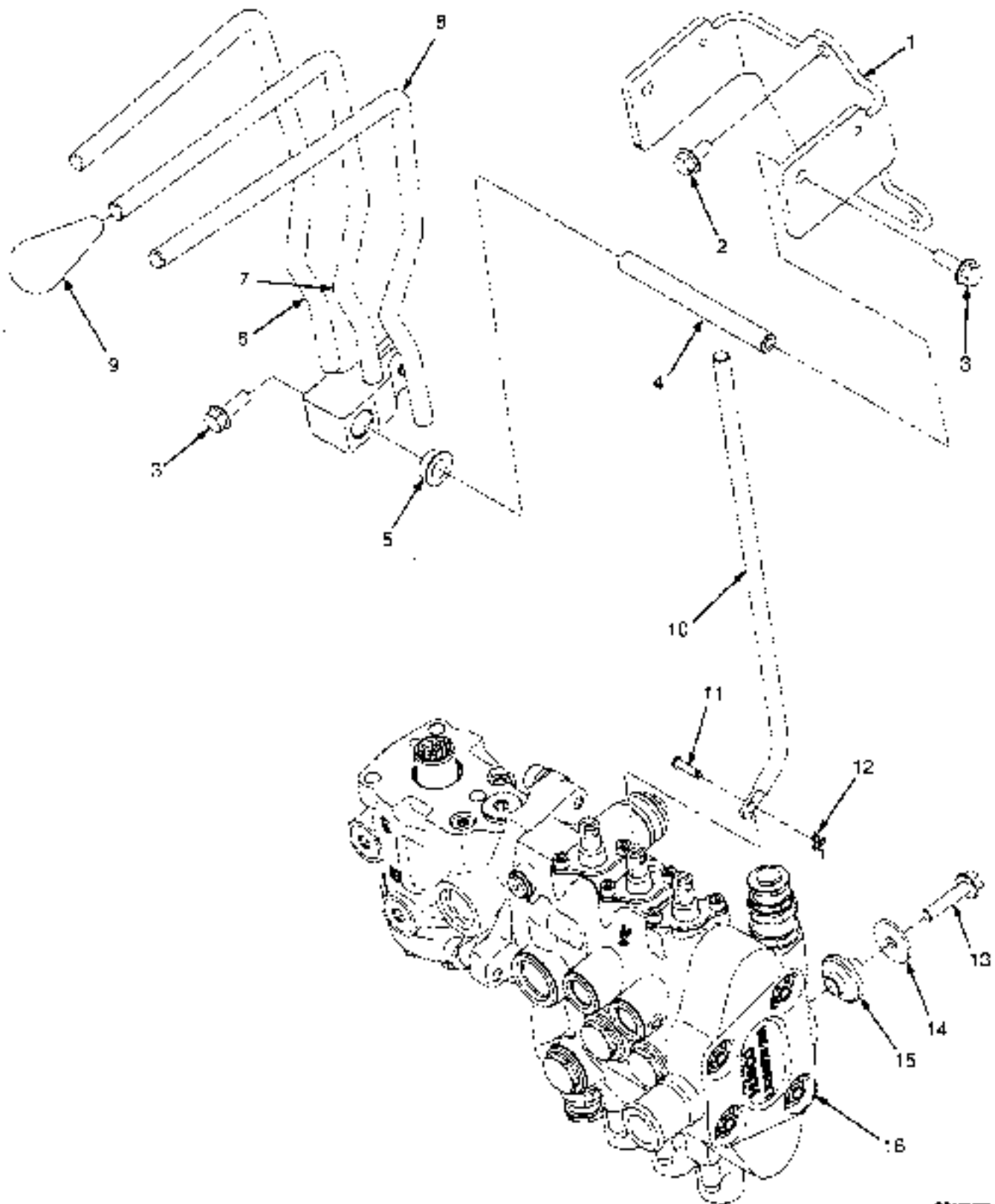


BP-50077

HAND LEVERS THREE FUNCTION WITH DETENTED LEVERS

ITEM	PART NO.	DESCRIPTION	QTY
1	1561163	Bracket.....	1
2	1527879	Capscrew	3
3	230882	NLT.....	-
4	197057	Washer	2
5	1528338	Spacer	1
6	18094	Capscrew.....	1
7	1583611	Capscrew.....	2
8	175861	Spring	1
9	302428	Pin	1
10	1542546	Lever.....	2
11	1564747	Bushing	10
12	306113	Pin (Selector)	1
13	320181	Washer	2
14	1526328	Pivot Shaft.....	1
15	1517304	Cotter Pin.....	6
16	300109	Rod End Pin	6
17	1517394	Link	3
18	1517379	Hand Lever (Auxiliary One And Two)	1
19	1517357	Hand Lever (Lift)	1
20	1517356	Hand Lever (Lift)	1
21	1517395	Knob	3
22	1586627	Capscrew.....	3
23	1346752	Washer	3
24	2083891	Isolator.....	3
25	2064895	Control Valve Assembly (Manual) (H2.0-3.0FT) (See Figure 9-9)	1
25	2064899	Control Valve Assembly (Manual) (H3.5FT) (See Figure 9-9)	1

HAND LEVERS (Figure 9-5) THREE FUNCTION WITHOUT DETENTED LEVERS

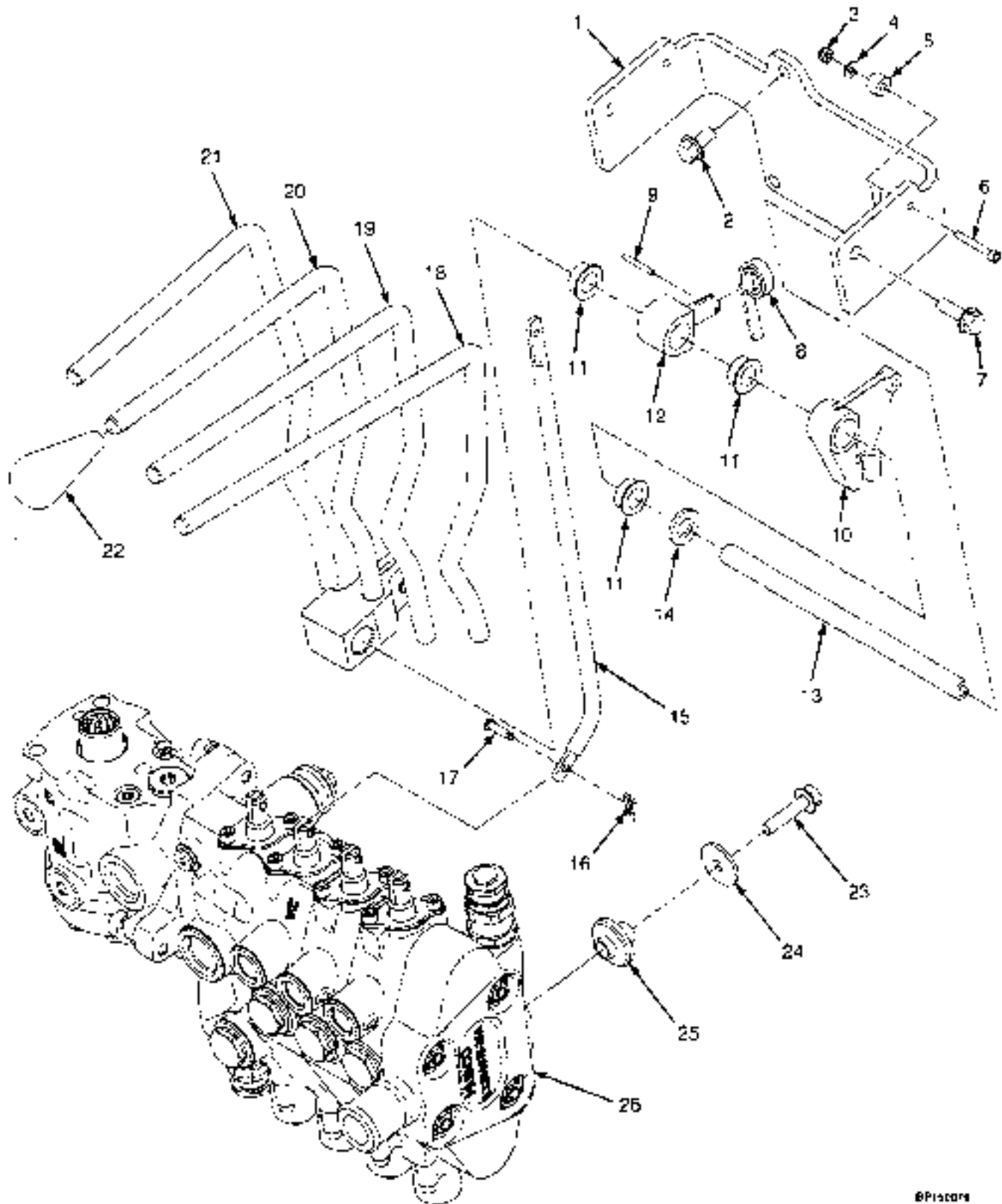


8P150075

**HAND LEVERS
THREE FUNCTION
WITHOUT DETENTED LEVERS**

ITEM	PART NO.	DESCRIPTION	QTY
1	1561162	Bracket	1
2	1527879	Capscrew	3
3	1583611	Capscrew	2
4	1528327	Pivot Shaft	1
5	1564747	Bushing	6
6	1517356	Hand Lever (Lift)	1
7	1517357	Hand Lever (Tilt)	1
8	1517358	Hand Lever (Auxiliary One)	1
9	1517395	Knob	3
10	1517364	Link	3
11	309109	Rod End Pin	6
12	1517361	Cotter Pin	6
13	1586827	Capscrew	3
14	1346752	Washer	3
15	2083991	Isolator	3
16	2064695	Control Valve Assembly (Manual) (H2 0-3.0FT) (see Figure 9-9)	1
16	2064899	Control Valve Assembly (Manual) (H3 5FT) (see Figure 9-9)	1

HAND LEVERS (Figure 9-7) FOUR FUNCTION WITH DETENTED LEVERS

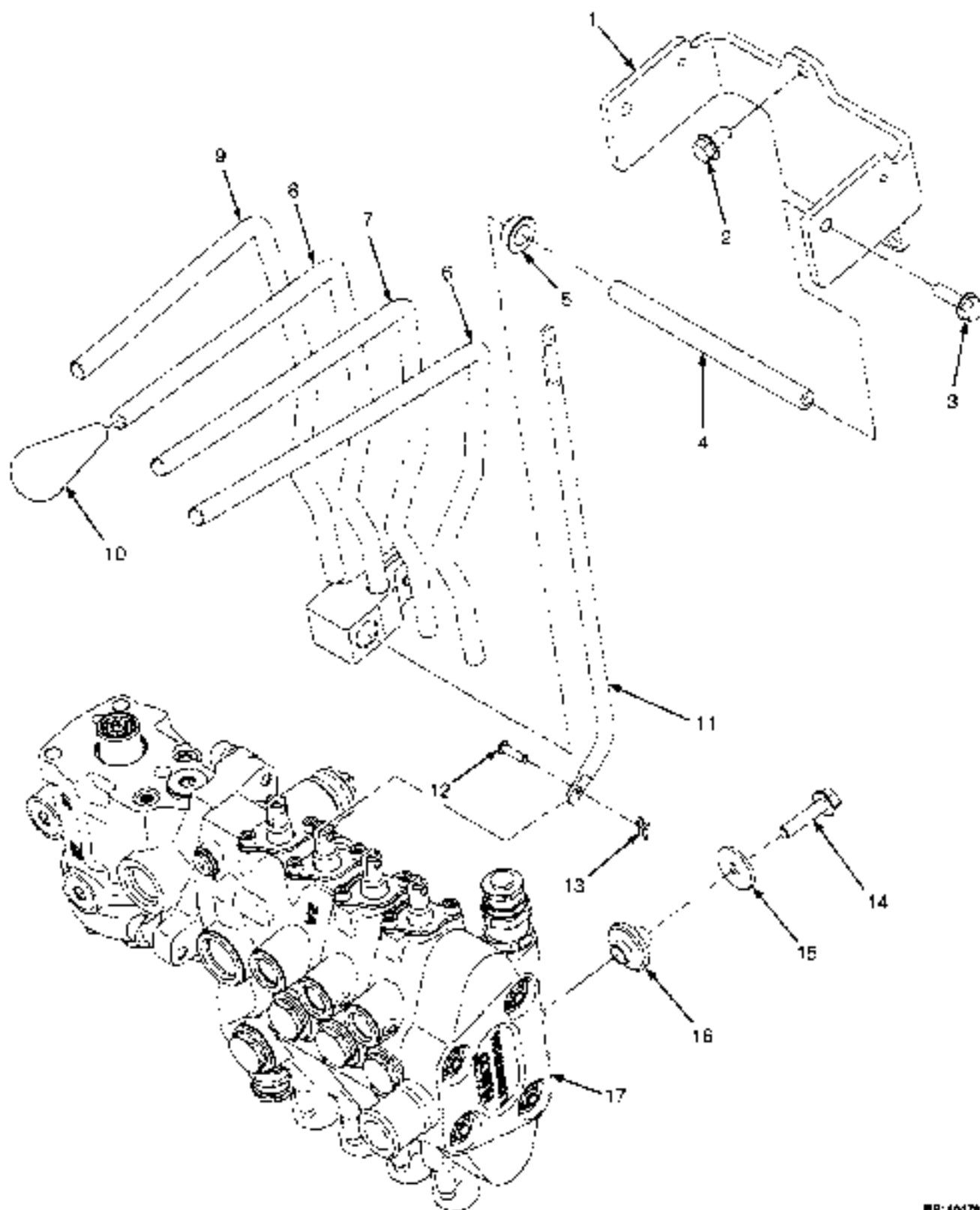


BPiscare

**HAND LEVERS
FOUR FUNCTION
WITH DETENTED LEVERS**

ITEM	PART NO.	DESCRIPTION	QTY
1	1561164	Bracket.....	1
2	1527879	Capscrew.....	3
3	230882	Nut.....	1
4	197067	Washer.....	2
5	1528339	Spacer.....	1
6	18094	Capscrew.....	1
7	1583611	Capscrew.....	2
8	175861	Spring.....	1
9	302428	Pin.....	1
10	1542546	Lever.....	2
11	1564747	Bushing.....	12
12	306113	Pin (Selector).....	1
13	1528329	Pivot Shaft.....	1
14	320161	Washer.....	2
15	1517394	Link.....	4
16	1517361	Cotter Pin.....	8
17	309109	Rod End Pin.....	8
18	1517378	Hand Lever (Auxiliary Two And Three).....	1
19	1517358	Hand Lever (Auxiliary One).....	1
20	1517357	Hand Lever (Tilt).....	1
21	1517356	Hand Lever (Lift).....	1
22	1517395	Knob.....	4
23	1588627	Capscrew.....	3
24	1346752	Washer.....	3
25	2063991	Isolator.....	3
26	2064897	Control Valve Assembly (Manual) (H2.0-3.0FT) (see Figure 9-9).....	1
26	2064901	Control Valve Assembly (Manual) (H3.5FT) (see Figure 9-9).....	1

HAND LEVERS (Figure 9-8) FOUR FUNCTION WITHOUT DETENTED LEVERS

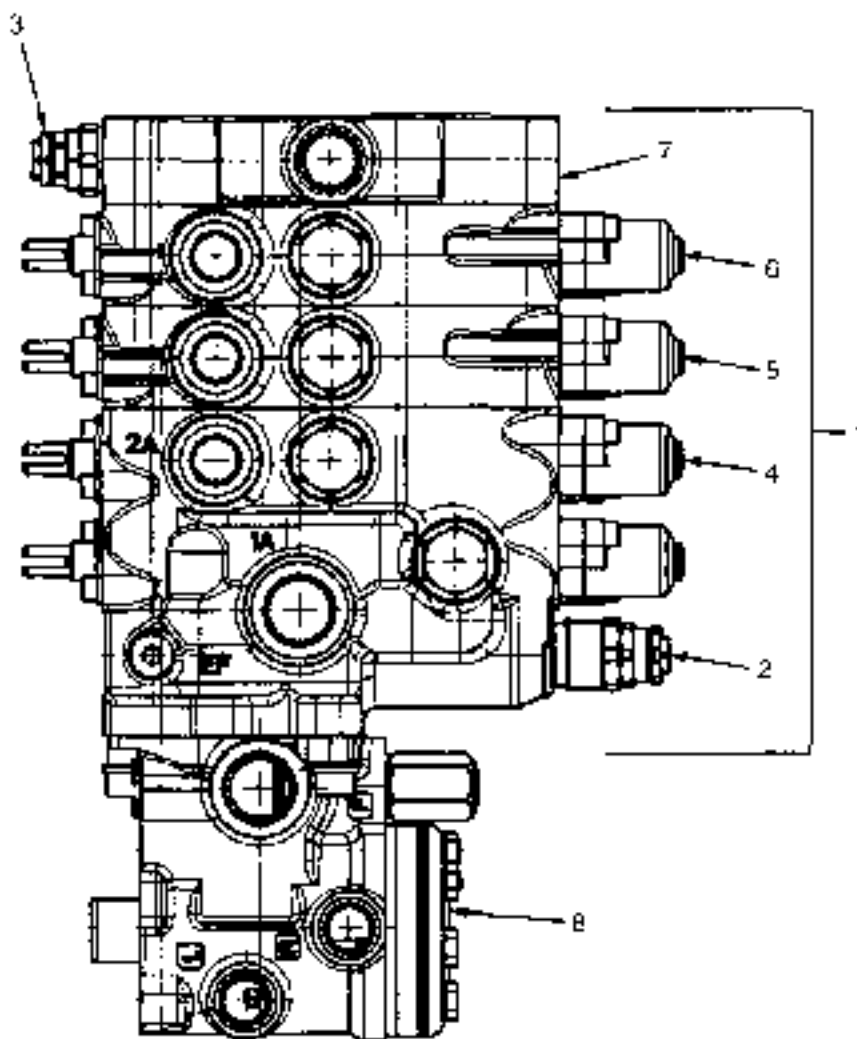


BP-14176

**HAND LEVERS
FOUR FUNCTION
WITHOUT DETENTED LEVERS**

ITEM	PART NO.	DESCRIPTION	QTY
1	1561163	Bracket.....	1
2	1527979	Capscrew	3
3	1583611	Capscrew.. ..	2
4	1528328	Pivot Shaft	1
5	1564747	Bushing.....	8
6	1517359	Hand Lever (Auxiliary Two)	1
7	1517358	Hand Lever (Auxiliary One)	1
8	1517357	Hand Lever (Tilt)	1
9	1517356	Hand Lever (Lift)	1
10	1517395	Knob	4
11	1617394	Link	4
12	309109	Rod End Pin	8
13	1517361	Cotter Pin.....	8
14	1588627	Capscrew.....	3
15	1346752	Washer	3
16	2063991	Isolator.....	3
17	2064897	Control Valve Assembly (Manual) (H2.0-3.0FT) (See Figure 9-9)	1
17	2064901	Control Valve Assembly (Manual) (H3.5FT) (See Figure 9-9)	1

CONTROL VALVE ASSEMBLY (Figure 9-9) MANUAL CONTROL THREE AND FOUR FUNCTION



BF140045

CONTROL VALVE ASSEMBLY MANUAL CONTROL THREE AND FOUR FUNCTION

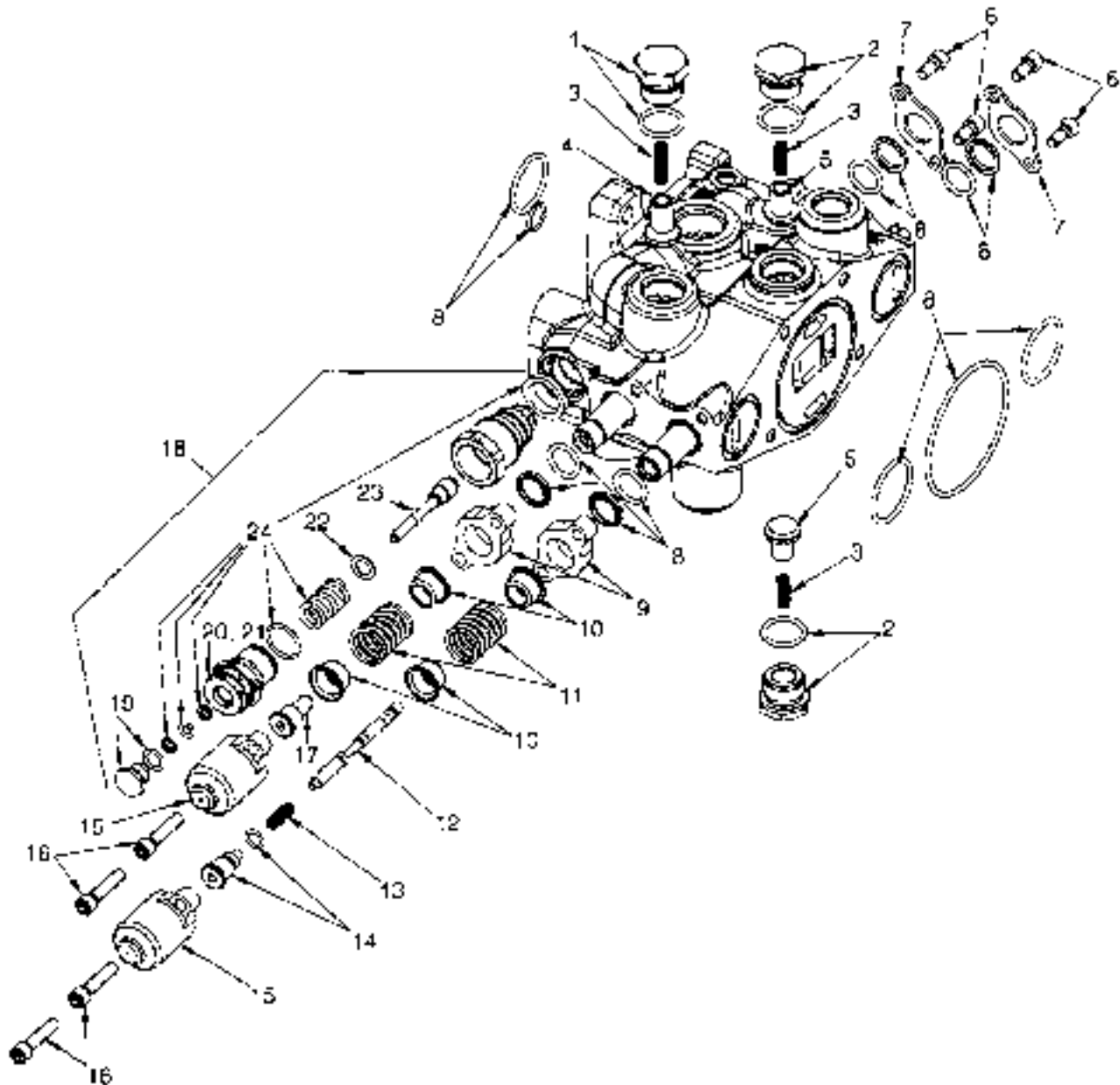
KEY:

A: H2.0-3.0FT

B: H3.5FT

ITEM	PART NO.	DESCRIPTION	QTY	
			A	B
	2064895	Control Valve Assembly (Manual) (3 Function).....	1	..
	2064897	Control Valve Assembly (Manual) (Four Function).....	1	..
	2064899	Control Valve Assembly (Manual) (Three Function).....	..	1
	2064901	Control Valve Assembly (Manual) (Four Function).....	..	1
1	2064885	Hydraulic Control Valve (Three Function).....	1	..
1	2064886	Hydraulic Control Valve (Four Function).....	1	..
1	2064887	Hydraulic Control Valve (Three Function).....	..	1
1	2064888	Hydraulic Control Valve (Four Function).....	..	1
2	1578747	Relief Valve (3100 PSI Main Relief).....	1	..
2	1578748	Relief Valve (3400 PSI Main Relief).....	..	1
2	1580097	Seal and Spring Kit.....	1	1
3	1578707	Valve (Secondary Relief).....	1	1
3	1580131	Seal and Spring Kit.....	1	1
4	1578743	Valve Assembly (Lift and Tilt) (See Figure 9-10).....	1	1
5	1578744	Auxiliary One Section (Three Function) (See Figure 9-11).....	1	1
6	1578745	Auxiliary Two Section (Four Function) (See Figure 9-11).....	1	1
7	1578746	Outlet Section (See Figure 9-12).....	1	1
8	2063117	Steering Control Unit (See Figure 7-3).....	1	..
8	2056869	Steering Control Unit (See Figure 7-3).....	..	1
8	1579908	Seal Kit.....	1	1
	1580146	Seal Kit (Three Function).....	1	1
	1580148	Seal Kit (Four Function).....	1	1

VALVE ASSEMBLY, LIFT AND TILT (Figure 9-10) MANUAL CONTROL VALVE THREE AND FOUR FUNCTION

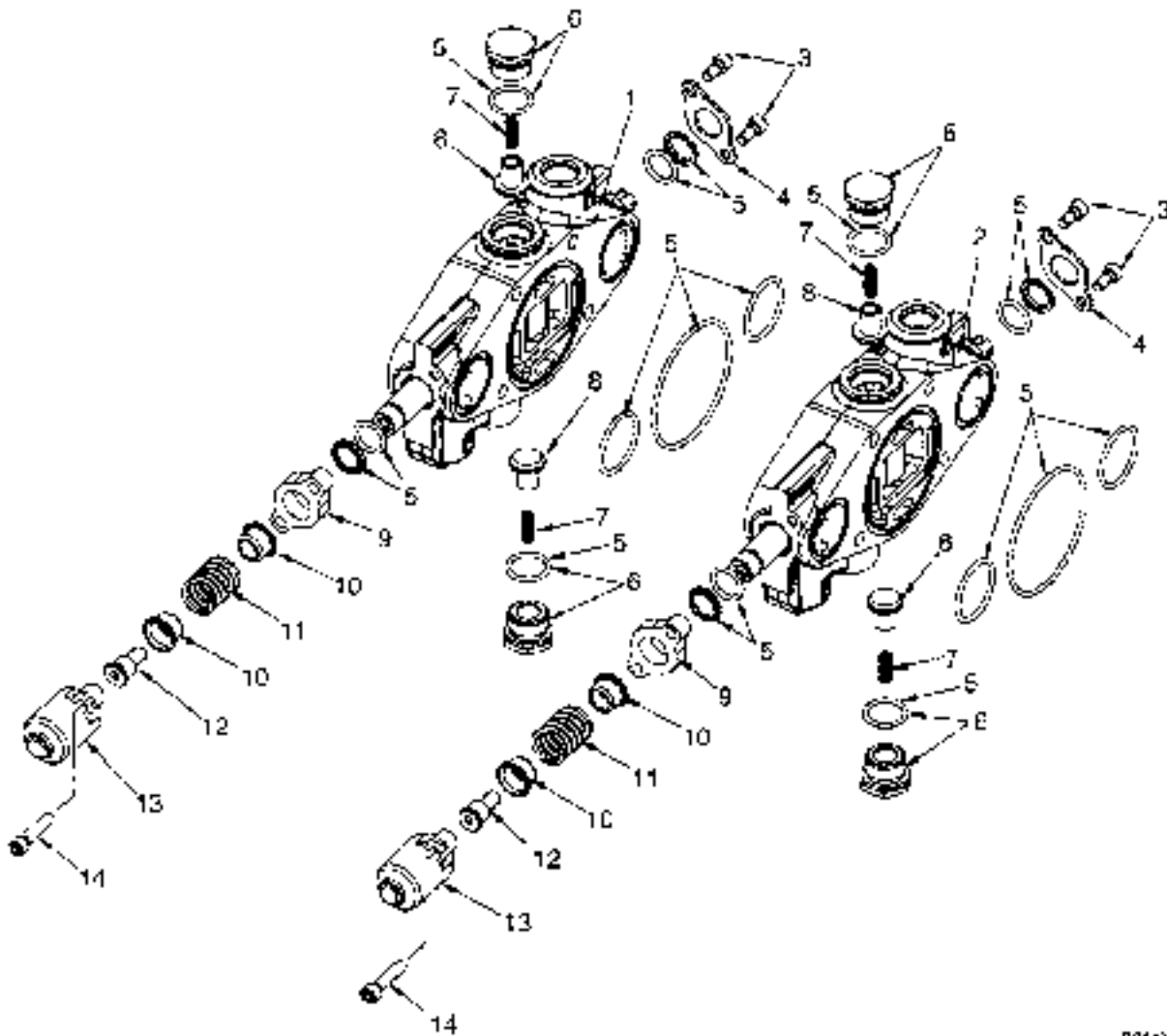


BP 40546

**VALVE ASSEMBLY, LIFT AND TILT
MANUAL CONTROL VALVE
THREE AND FOUR FUNCTION**

ITEM	PART NO.	DESCRIPTION	QTY
	1578743	Valve Assembly (Lift and Tilt)	1
1	1578713	Plug Seal	2
2	1578940	Plug	1
3	77442	Spring	3
4	1578943	Poppet	1
5	77443	Poppet	2
6	16706	Screw	4
7	188515	Seal Plate	2
8	1580133	Seal Kit	1
9		Seal Plate	2
10	320289	Spring Seat	2
11	1581860	Spring	2
12	1581861	Piston	1
13	341482	Spring	1
14	385015	Spool End	1
15	1560581	Cap	2
16	1578705	Capscrew	4
17	1581859	Spool End	1
18	1576747	Relief Valve (3100 PSI Main Relief) (H2 C-3.0FT)	1
18	1576748	Relief Valve (3400 PSI Main Relief) (H3.5FT)	1
19		Plug	1
20		Screw	1
21		Nut	1
22		Washer	1
23		Poppet	1
24	1580097	Seal and Spring Kit (H2.0-3.0FT)	1
24	1580131	Seal and Spring Kit (H3.5FT)	1

AUXILIARY ONE AND TWO (Figure 9-11) MANUAL CONTROL VALVE THREE AND FOUR FUNCTION

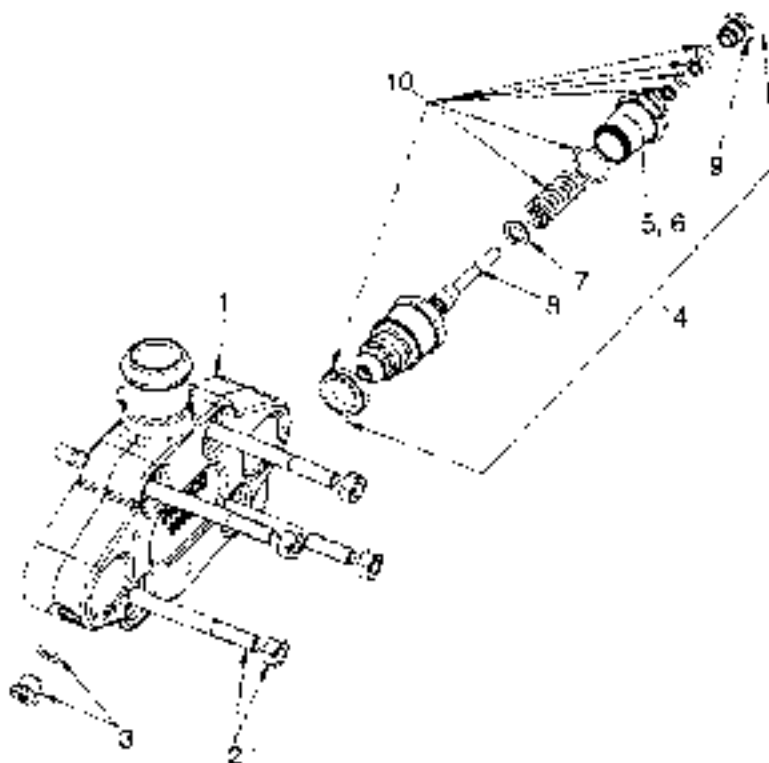


BP102647

**AUXILIARY ONE AND TWO
MANUAL CONTROL VALVE
THREE AND FOUR FUNCTION****KEY:****A: Three Function****B: Four Function**

ITEM	PART NO.	DESCRIPTION	QTY	
			A	B
1	*578744	Auxiliary One Section	1	1
2	*578745	Auxiliary Two Section	1	1
3	*6706	Screw	2	2
4	188515	Sea Plate	1	1
5	1580147	Sea Kit	1	1
6	1578713	Plug Set	2	2
6	77441	Plug	2	2
7	77442	Spring	2	2
8	77443	Poppet	2	2
9	.	Sea Plate	1	1
10	320289	Spring Seal	1	1
11	1581860	Spring	1	1
12	1581859	Spool End	1	1
13	1580681	Cap	1	1
14	1578705	Capscrew	2	4

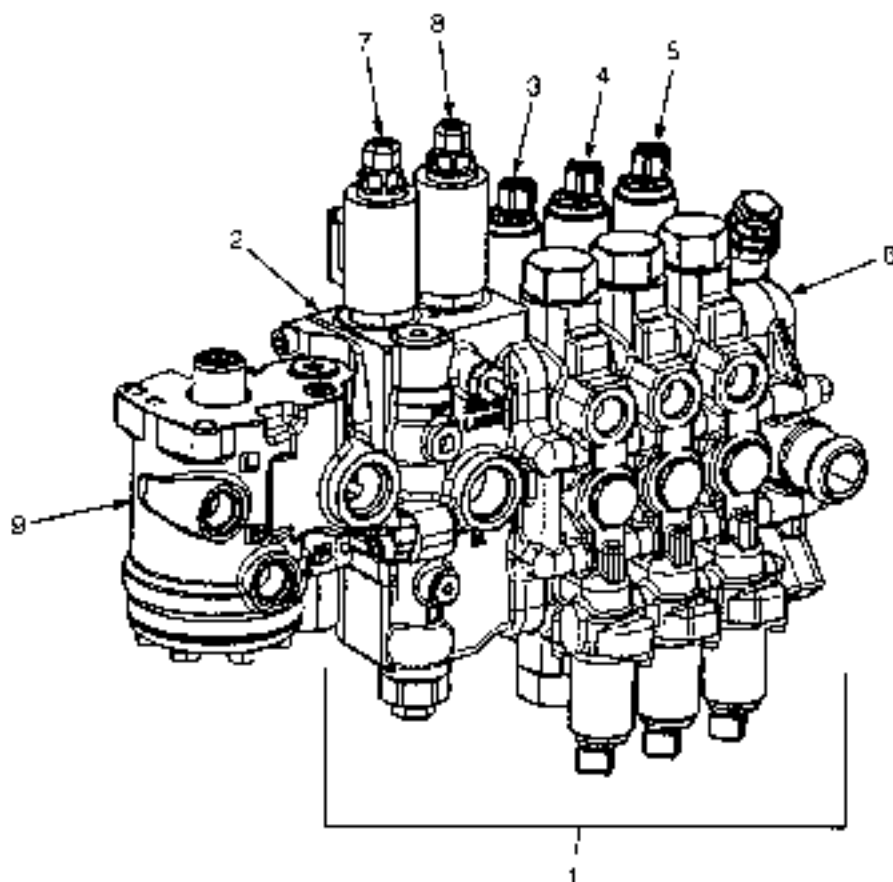
OUTLET SECTION (Figure 9-12) MANUAL CONTROL VALVE THREE AND FOUR FUNCTION



MP14048

ITEM	PART NO.	DESCRIPTION	QTY
1	1578745	Outlet Section	1
2	1580155	Tie Rod Kit (Three Function)	1
2	1580156	Tie Rod Kit (Four Function)	1
2	15055	Nut	4
3	1576712	Plug Assembly	1
3	204128	Plug	1
4	1578707	Valve (Secondary Relief)	1
5		Nut	2
6		Screw	2
7		Washer	2
8		Poppet	2
9		Plug	2
10	1580131	Seal and Spring Kit	1

CONTROL VALVE ASSEMBLY (Figure 9-13) ELECTRONIC CONTROL THREE AND FOUR FUNCTION



BP140563

CONTROL VALVE ASSEMBLY ELECTRONIC CONTROL THREE AND FOUR FUNCTION

KEY:

A: H2.0-3.0FT

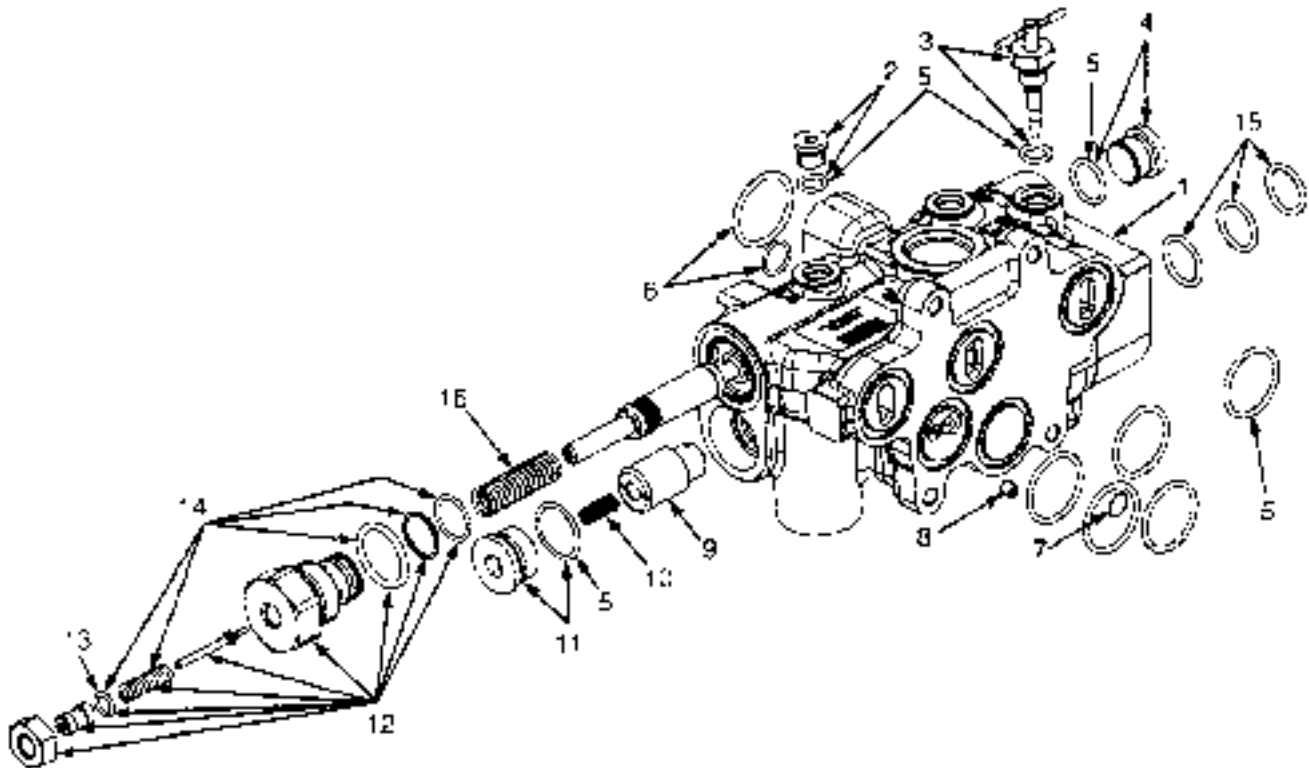
B: H3.5FT

ITEM	PART NO.	DESCRIPTION	QTY	
			A	B
	c 2064848	Control Valve Assembly	1	1
	c 2064851	Control Valve Assembly	1	1
	b 2064859	Control Valve Assembly	1	1
	a 2064862	Control Valve Assembly	1	1
1	c 2064845	Control Valve	1	1
1	c 2064849	Control Valve	1	1
1	a 2064857	Control Valve	1	1
1	b 2064860	Control Valve	1	1
2	1578701	Valve Body Assembly (Lift and Lower) (☞ Figure 9-14)	1	1
2	1578700	Valve Body Assembly (Lift and Lower) (☞ Figure 9-14)	1	1
3	1578702	Tilt Section (☞ Figure 9-17)	1	1
4	c 1578703	Auxiliary One Section (☞ Figure 9-15)	1	1
5	a 1578741	Auxiliary Two Section (☞ Figure 9-16)	1	1
6	1578704	Outlet Section (☞ Figure 9-18)	1	1
7	1590113	Poppet Valve Assembly (Lift) (☞ Figure 9-19)	1	1
8	1590114	Poppet Valve Assembly (Lower) (☞ Figure 9-19)	1	1
9	2063117	Steering Control Unit (☞ Figure 7-3)	1	1
9	2063118	Steering Control Unit (☞ Figure 7-3)	1	1
	b 1579908	Seal Kit	1	1
	b 2063891	Isolator	3	3
	b 1586627	Capscrew	3	3
	b 1346752	Washer	3	3

FOOTNOTES:

- a Four Function
- b Not Illustrated
- c Three Function

VALVE ASSEMBLY, LIFT AND LOWER (Figure 9-14) ELECTRONIC CONTROL VALVE THREE AND FOUR FUNCTION

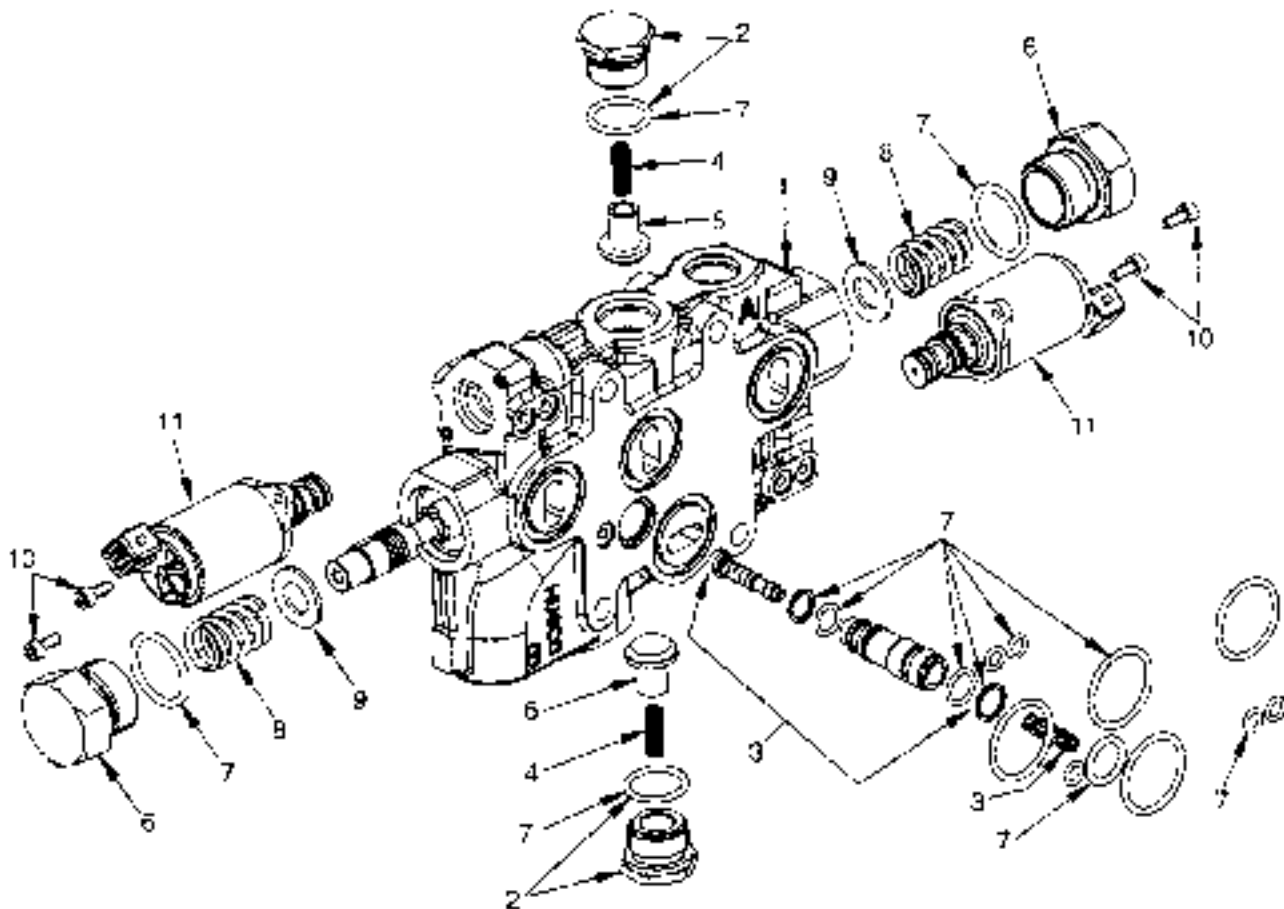


HP146018

**VALVE ASSEMBLY, LIFT AND LOWER
ELECTRONIC CONTROL VALVE
THREE AND FOUR FUNCTION**

ITEM	PART NO.	DESCRIPTION	QTY
1	1578701	Valve Body Assembly (Lift and Lower) (H2.0-3.0FT)	1
1	1578700	Valve Body Assembly (Lift and Lower) (H3.5FT)	1
2	1578712	Plug Assembly	1
2	204128	Plug	1
3	1581862	Manual Lower Assembly Kit	1
4	1569602	Plug	1
5	1578904	Seal Kit	1
6	1578911	Seal Kit (Steering Control Unit Interface)	1
7	1578875	Shuttle	1
8	1578888	Set Screw	1
9	1586280	Poppet	1
10	1578876	Spring	1
11	1578714	Plug	1
12	1578706	Relief Valve (Main) (H2.0-3.0FT)	1
12	1578753	Relief Valve (Main) (H3.5FT)	1
12	1580749	Adjusting Screw	1
13	18480	O-Ring	1
14	1580132	Seal and Spring Kit	1
15	1586279	Seal Kit	AR
16	1578881	Spring	1

AUXILIARY ONE SECTION (Figure 9-15) ELECTRONIC CONTROL THREE AND FOUR FUNCTION



HP149011

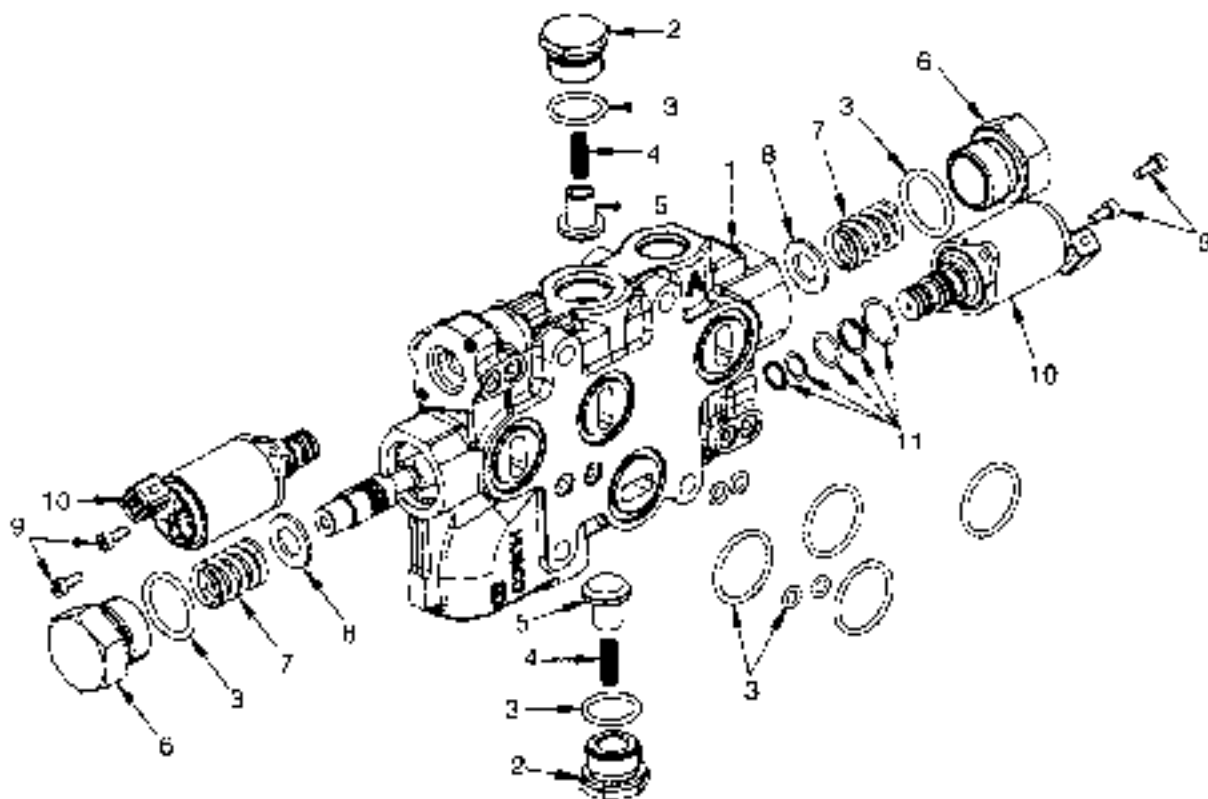
**AUXILIARY ONE SECTION
ELECTRONIC CONTROL
THREE AND FOUR FUNCTION**

ITEM	PART NO.	DESCRIPTION	QTY
1	1578703	Auxiliary One Section	1
2	1578713	Plug Set.....	2
2	77441	Plug	2
3	1578718	Anti-Stall Valve Kit	1
3	1578888	Spring.....	1
3	266519	O-Ring.....	2
4	77442	Spring	2
5	77443	Poppet.....	2
6	1578889	Plug Set.....	2
7	1578906	Seal Kit (Auxiliary One Section)	1
8	1578882	Spring.....	2
9	1578883	Washer.....	2
10	1578878	Capscrew	4
11	1578711	Solenoid	2
	■ 1578912	Seal Kit.....	1

FOOTNOTES:

- Not Illustrated

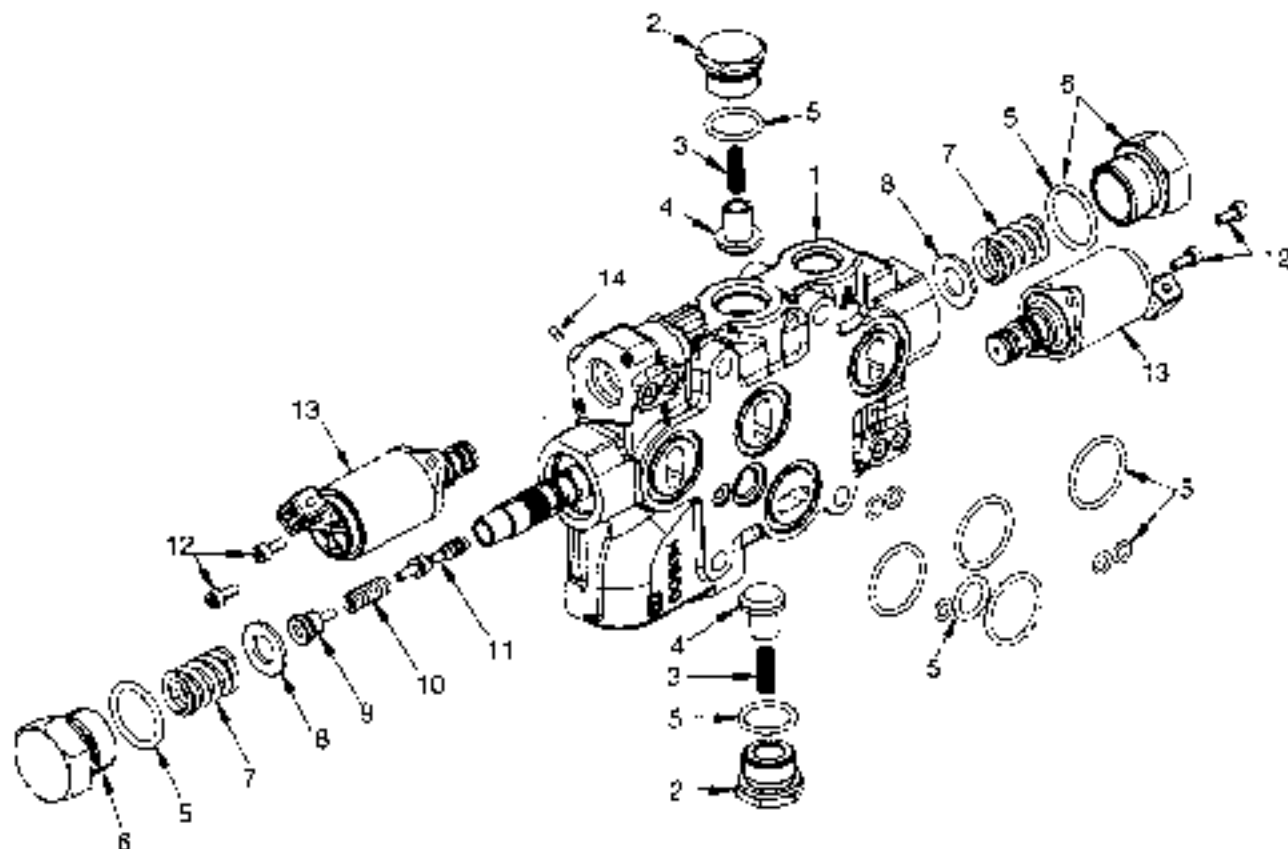
AUXILIARY TWO SECTION (Figure 9-16) ELECTRONIC CONTROL FOUR FUNCTION



**AUXILIARY TWO SECTION
ELECTRONIC CONTROL
FOUR FUNCTION**

ITEM	PART NO.	DESCRIPTION	QTY
1	1578741	Auxiliary Two Section	1
2	1578719	Plug Set	2
2	77441	Plug	2
3	1578907	Seal Kit	1
4	77442	Spring	2
5	77443	Poppet	2
6	1578889	Plug Set	2
7	1578882	Spring	2
8	1578883	Washer	2
9	1578878	Cap screw	4
10	1578711	Solenoid	2
11	1578912	Seal Kit	1

TILT SECTION (Figure 9-17) ELECTRONIC CONTROL THREE AND FOUR FUNCTION

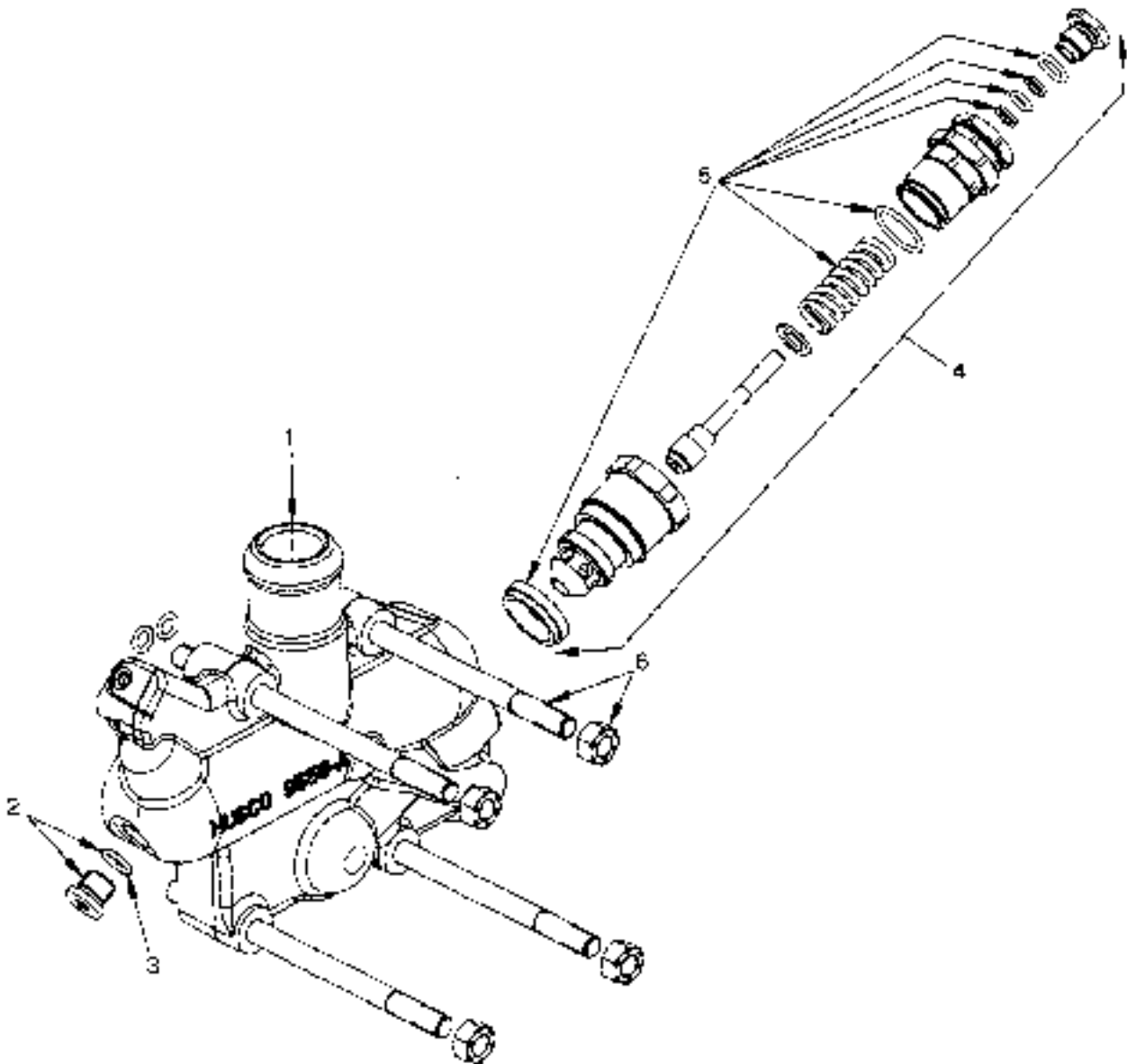


BP140254

**TILT SECTION
ELECTRONIC CONTROL
THREE AND FOUR FUNCTION**

ITEM	PART NO.	DESCRIPTION	QTY
1	*578702	Tilt Section	1
2	*578713	Plug Set	2
3	77442	Spring	2
4	77443	Poppet	2
5	*578905	Seal Kit	1
6	*578889	Plug Set	2
7	*578862	Spring	2
8	*578863	Washer	2
9	.	Spool End	1
10	.	Spring	1
11	.	Piston	1
12	1578678	Capscrew	4
13	1578711	Solenoid	2
13	1578912	Seal Kit	1
14	1578667	Set Screw	1

OUTLET SECTION (Figure 9-18) ELECTRONIC CONTROL THREE AND FOUR FUNCTION

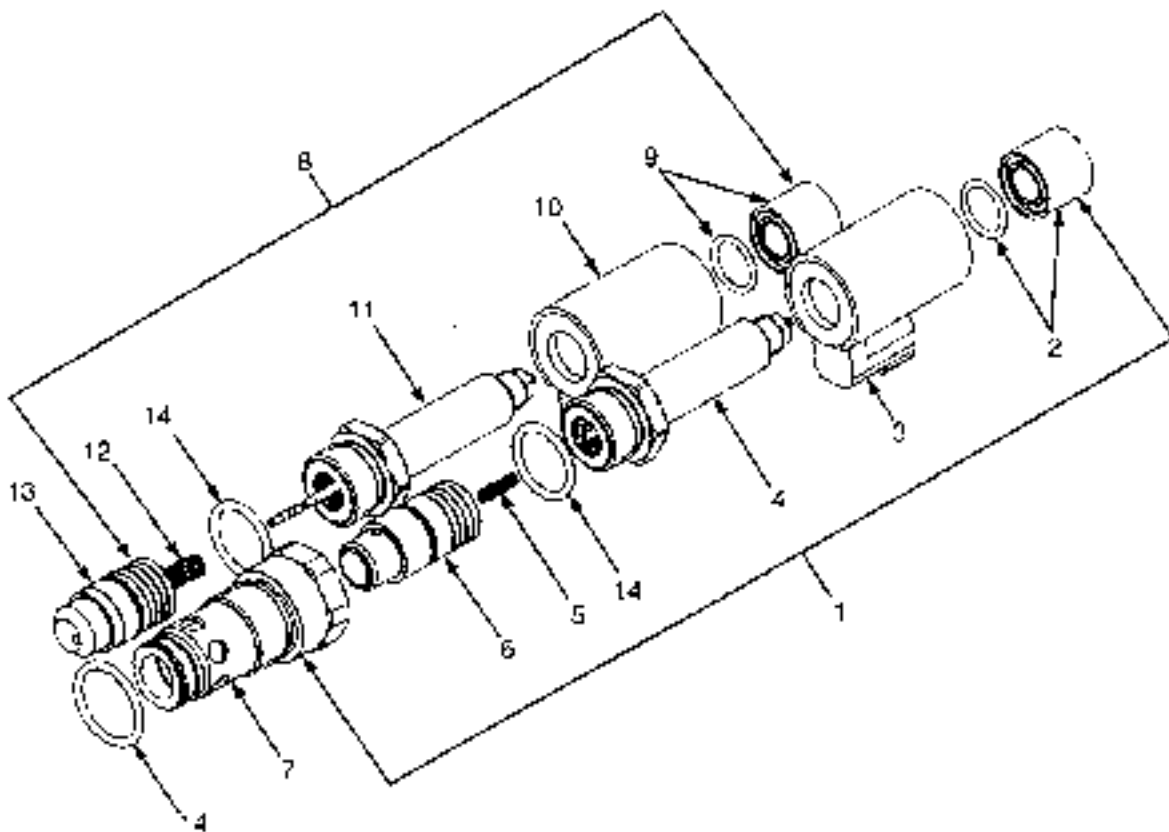


9P140134

**OUTLET SECTION
ELECTRONIC CONTROL
THREE AND FOUR FUNCTION**

ITEM	PART NO.	DESCRIPTION	QTY
1	*578704	Outlet Section	1
2	*578712	Plug Assembly.....	1
2	20412B	Plug	1
3	*578904	Seal Kit.....	1
4	*578707	Valve (Secondary Relief).....	1
5	*58013*	Seal and Spring Kit	1
6	*578715	Tie Rod Kit (Three Function)	1
6	*580151	Tie Rod Kit (Four Function)	1
6	*5055	Nut	4

ELECTRO HYDRAULIC POPPET VALVE (Figure 9-19) ELECTRONIC CONTROL LIFT AND LOWER

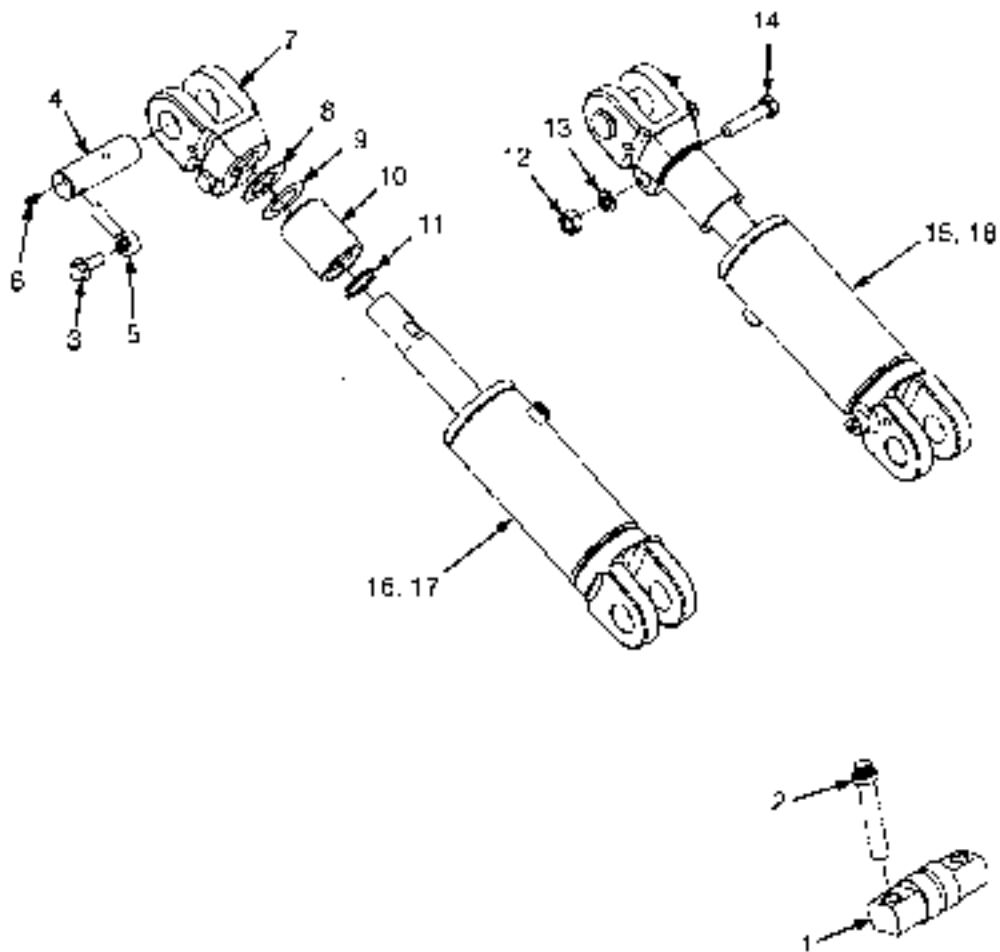


9P140066

**ELECTRO HYDRAULIC POPPET VALVE
ELECTRONIC CONTROL
LIFT AND LOWER**

ITEM	PART NO.	DESCRIPTION	QTY
1	1580114	Poppet Valve Assembly (Lower)	1
2	1586018	Coil Nut	1
3	1578710	Coil	1
4	1578918	Tube (Solenoid)	1
5	1578934	Spring	1
6	1586021	Poppet	1
7	1586020	Sleeve	1
8	1580113	Poppet Valve Assembly (Lift)	1
9	1586018	Coil Nut	1
10	1578710	Coil	1
11	1586019	Tube (Solenoid)	1
12	1586017	Spring	1
13	1586015	Poppet	1
14	1586279	Seal Kit	1

TILT CYLINDER AND MAST INSTALLATION (Figure 9-20)



HP167933

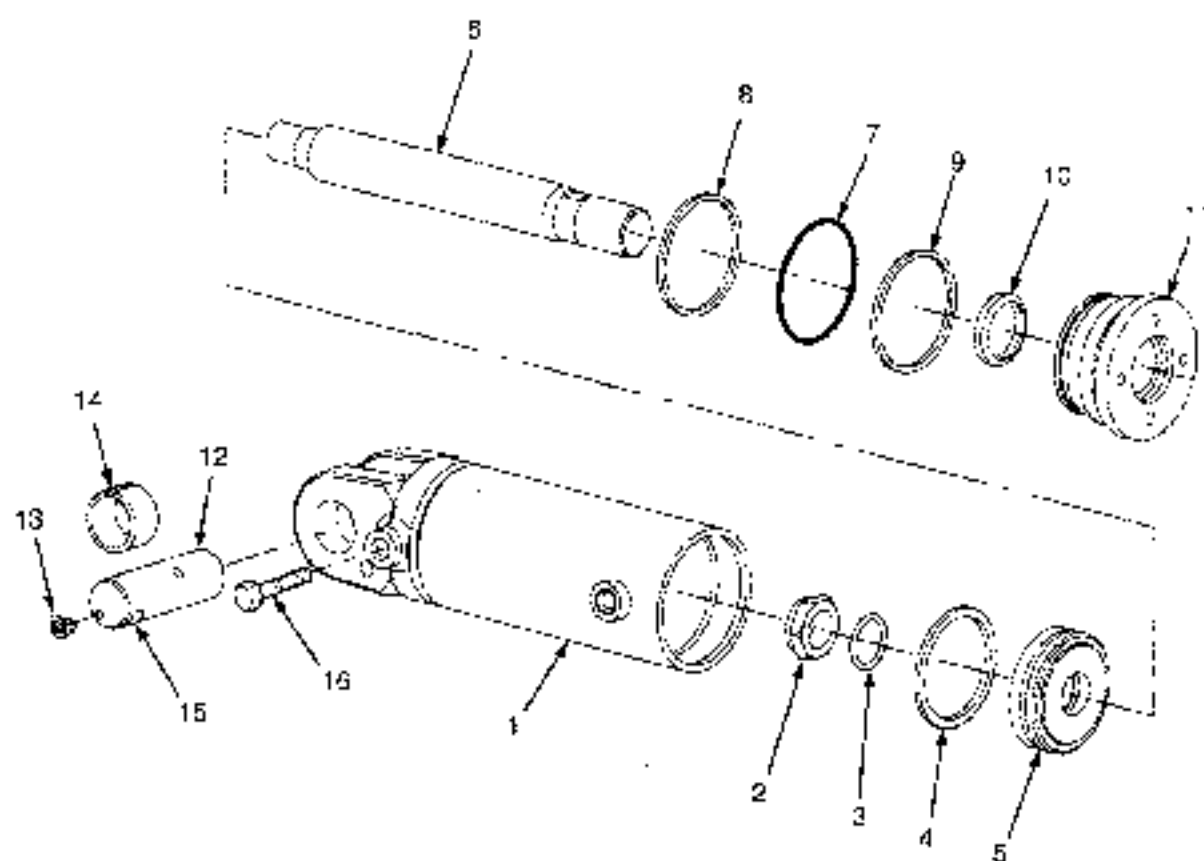
TILT CYLINDER AND MAST INSTALLATION**KEY:****A: H2.0-2.5FT****B: H3.0-3.5FT**

ITEM	PART NO	DESCRIPTION	QTY	
			A	B
1	1514269	Pin	2	2
2	1520290	Bot	4	4
3	1536013	Capscrew	2	2
4	1533493	Pin	2	2
5	1533494	Anchor Pin	2	2
6	16041	Lube Fiting	2	2
7	bcd 1544118	Rod End	2	.
7	a 1544120	Rod End	2	.
7	bcd 1544119	Rod End	2
7	a 1544121	Rod End	2
8	cd 134675	Shim	4	.
8	cd 142247	Shim	4
9	cd 1325119	Shim	4	.
9	cd 1325120	Shim	4
10	d 1544122	Tilt Spacer	2	.
10	c 192677	Tilt Spacer	2	.
10	d 1544123	Tilt Spacer	2
10	c 1544124	Tilt Spacer	2
11	cd 55434	O-Ring	4	.
11	cd 60563	O-Ring	4
12	1581848	Nut	2	2
13	1581564	Lockwasher	2	2
14	1597381	Capscrew	2	2
15	2069187	Tilt Cylinder (LH) (☞ Figure 9-21)	1	.
16	2069188	Tilt Cylinder (RH) (☞ Figure 9-21)	1	.
17	2069186	Tilt Cylinder (RH) (☞ Figure 9-22)	1
18	2069189	Tilt Cylinder (LH) (☞ Figure 9-22)	1

FOOTNOTES:

- a** 10° Forward/8° Back
- b** 6° Forward/10° Back
- c** 6° Forward/5° Back
- d** 6° Forward/6° Back

TILT CYLINDERS (Figure 9-21) H2.0-2.5FT

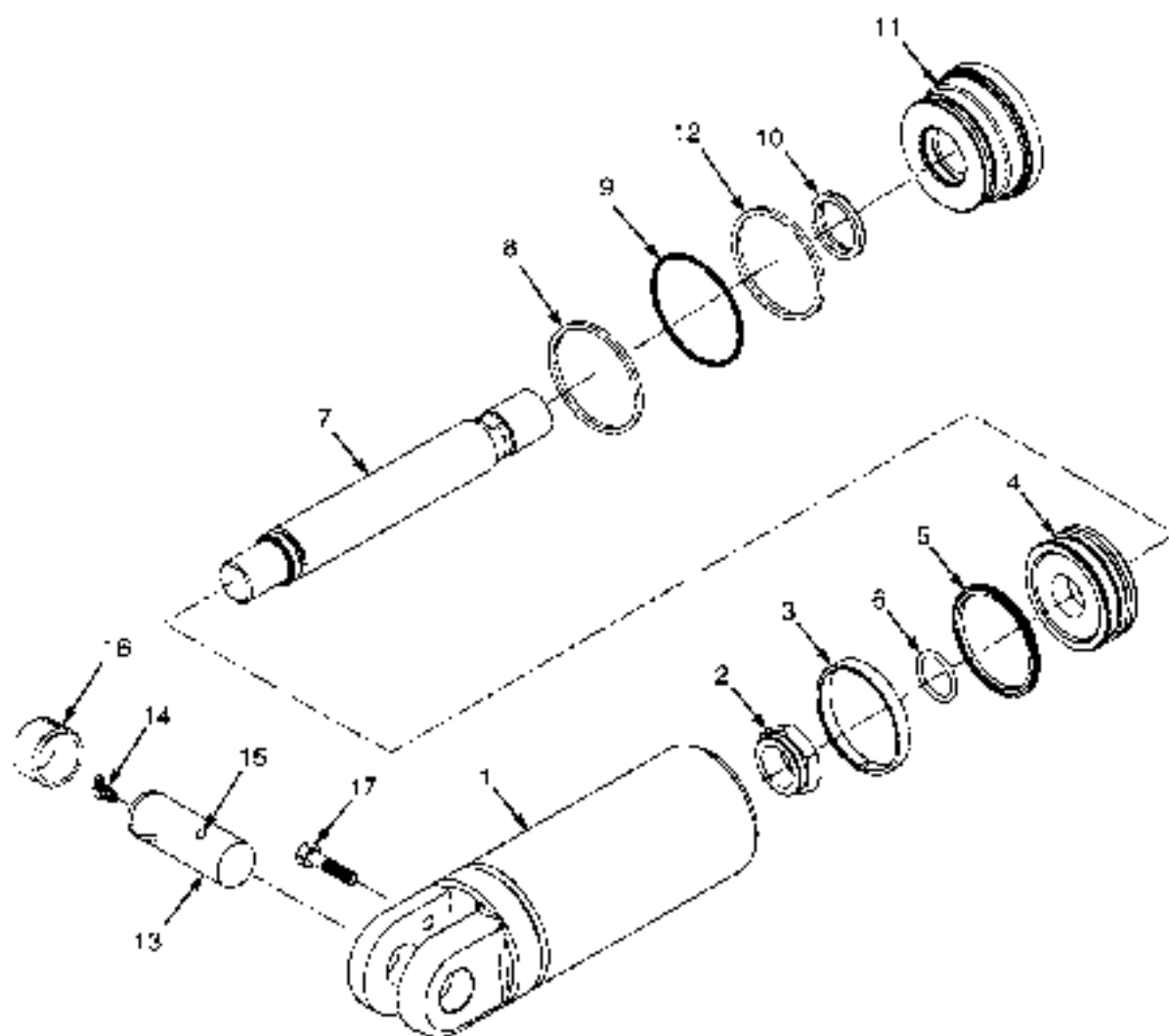


HY180074

**TILT CYLINDERS
H2.0-2.5FT**

ITEM	PART NO.	DESCRIPTION	QTY
	2069187	Tilt Cylinder (LH)	1
	2069188	Tilt Cylinder (RH)	1
1	2076537	Shell	1
1	2076541	Shell	1
2	2302899	Nut	4
3	39374	O-Ring	2
4	2044370	Seal (Piston)	1
5	1338741	Piston	1
6	2076539	Rod	1
7	46388	O-Ring	1
8	154375	Back-Up Ring	1
9	1381062	Rod Seal	1
10	1383062	Wiper Ring	1
11	1338744	Glanc	1
12	1533493	Pin	2
13	16040	Lube Fitting	2
14	300982	Bushing	2
15	1533494	Anchor Pin	1
16	1586013	Cap screw	1
	1492644	Seal Kit (Includes Items 3-4, 7-10)	1

TILT CYLINDERS (Figure 9-22) H3.0-3.5FT



8P152005

**TILT CYLINDERS
H3.0-3.5FT**

ITEM	PART NO.	DESCRIPTION	QTY
	2069198	Tilt Cylinder (R-H).....	1
	2069189	Tilt Cylinder (L-H).....	1
1	2076538	Shell	1
1	2076540	Shel.	1
2	2070018	Nut	1
3	199852	Wear Ring	1
4	1381078	Piston	1
5	2044371	Piston Seal.....	1
6	237812	O-Ring	1
7	2076538	Rod	1
8	268619	O-Ring	1
9	147973	Back-Up Ring.....	1
10	1383063	Wiper Ring	1
11	1527520	Gland	1
12	1381083	Sea	1
13	1533483	Pir	1
14	18040	Lube Fitting.....	1
15	1533484	Anchor Pin	1
16	300982	Bushing	1
17	1568013	Capscrew.....	1
	1527719	Seal Kit (includes Items 3, 5-6 8-10, 12).....	1

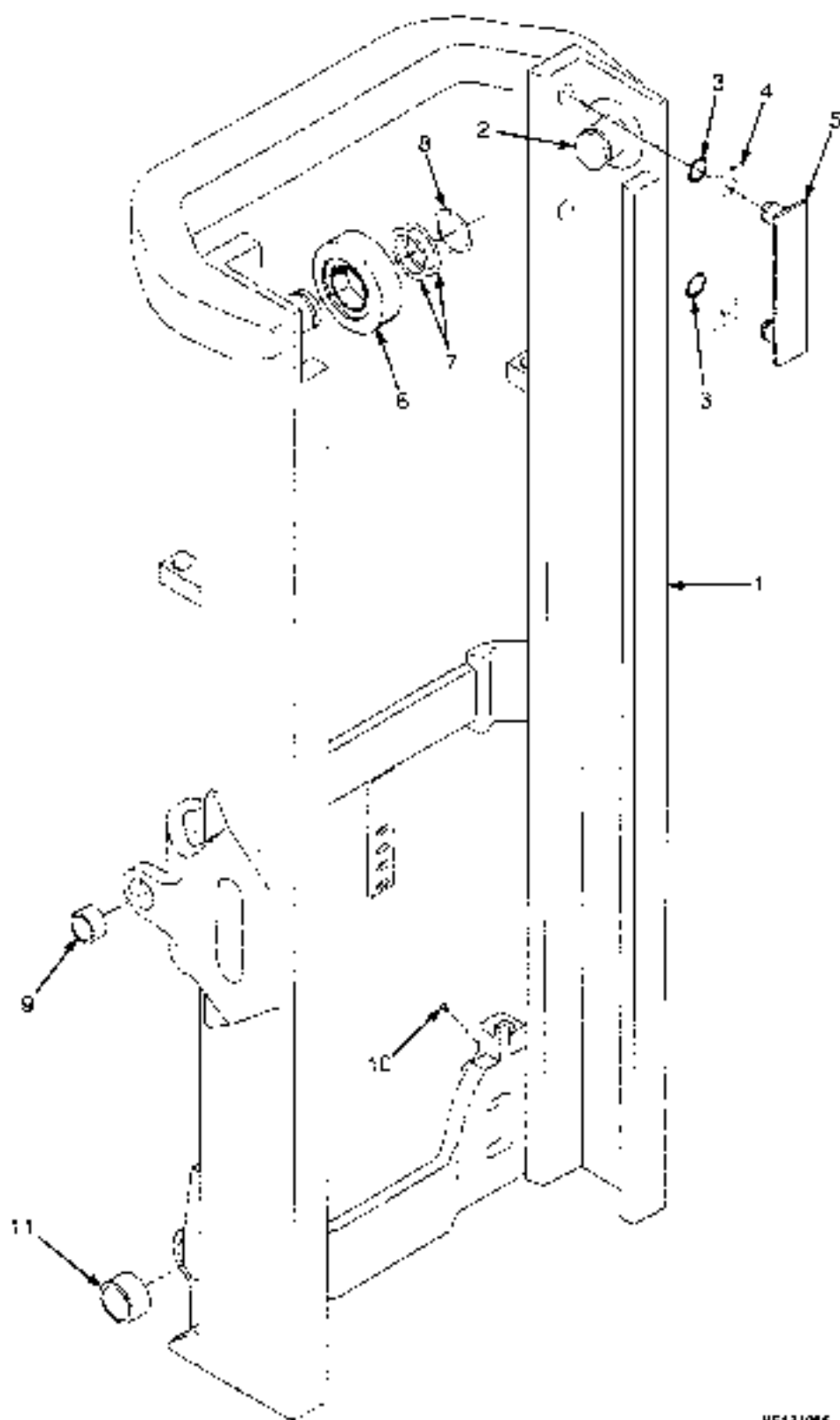
10

MAST-TWO STAGE LIMITED FREE-LIFT

SECTION 10 MAST-TWO STAGE LIMITED FREE-LIFT

DESCRIPTION	PAGE
CARRIAGE	
TWO STAGE LIMITED FREE-LIFT	10-14
HEADER HOSES	
TWO STAGE LIMITED FREE-LIFT	10-12
INNER MAST	
TWO STAGE LIMITED FREE LIFT	10-4
MAIN LIFT	
TWO STAGE LIMITED FREE-LIFT	10-6
MAIN LIFT CYLINDERS	
TWO STAGE LIMITED FREE-LIFT	10-8
OUTER MAST	
TWO STAGE LIMITED FREE-LIFT	10-2

OUTER MAST (Figure 10-1) TWO STAGE LIMITED FREE-LIFT



HF171066

**OUTER MAST
TWO STAGE LIMITED FREE-LIFT**

H2.0-2.5FT

ITEM	DESCRIPTION 1 2 3 4	LIFT HEIGHT TO BOTTOM OF FORKS			
		3252 mm	3752 mm	4292 mm	4792 mm
		Mast Group Number	D507 3252	D507 3752	D507 4292
1	Outer Mast	1524755	1524760	1524766	1524771

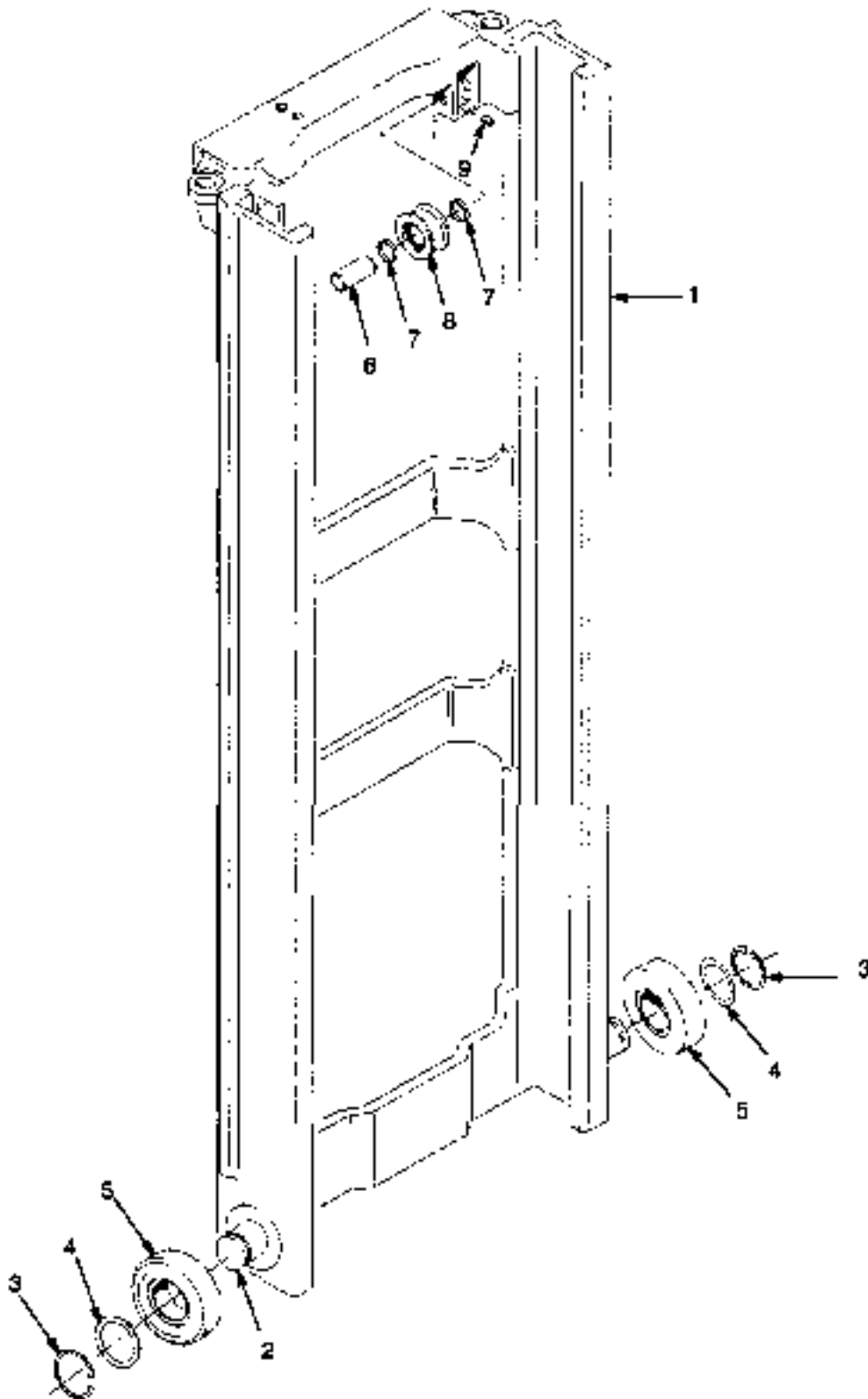
H3.0-3.5FT

ITEM	DESCRIPTION 1 2 3 4	LIFT HEIGHT TO BOTTOM OF FORKS			
		3059 mm	3559 mm	4059 mm	4559 mm
		Mast Group Number	D562 3059	D562 3559	D562 4059
1	Outer Mast	1524755	1524760	1524766	1524771

ITEM	PART NO.	DESCRIPTION	QTY
1	^a	Outer Mast	1
2	1345216	Shaft	2
3	104506	O-Ring	4
4	131716	Shim (0.508 mm)	AR
5	215211	Bearing Strip	2
6	1333396	Load Roller (0.76 mm)	2
7	129387	Shim (0.508 mm)	AR
8	56901	Snap Ring	2
9	300982	Bushing	2
10	16001	Lube Fitting	2
11	150281	Bushing	2

FOOTNOTES:^a Refer to Table

INNER MAST (Figure 10-2) TWO STAGE LIMITED FREE-LIFT



HP250018

**INNER MAST
TWO STAGE LIMITED FREE-LIFT****H2.0-2.5FT**

ITEM	DESCRIPTION				LIFT HEIGHT TO BOTTOM OF FORKS			
					3252 mm	3752 mm	4292 mm	4792 mm
	1	2	3	4				
	Mast				D507	D507	D507	D507
	Group Number				3252	3752	4292	4792
1	Inner Mast				1524798	1524803	1524808	1524813

H3.0-3.5FT

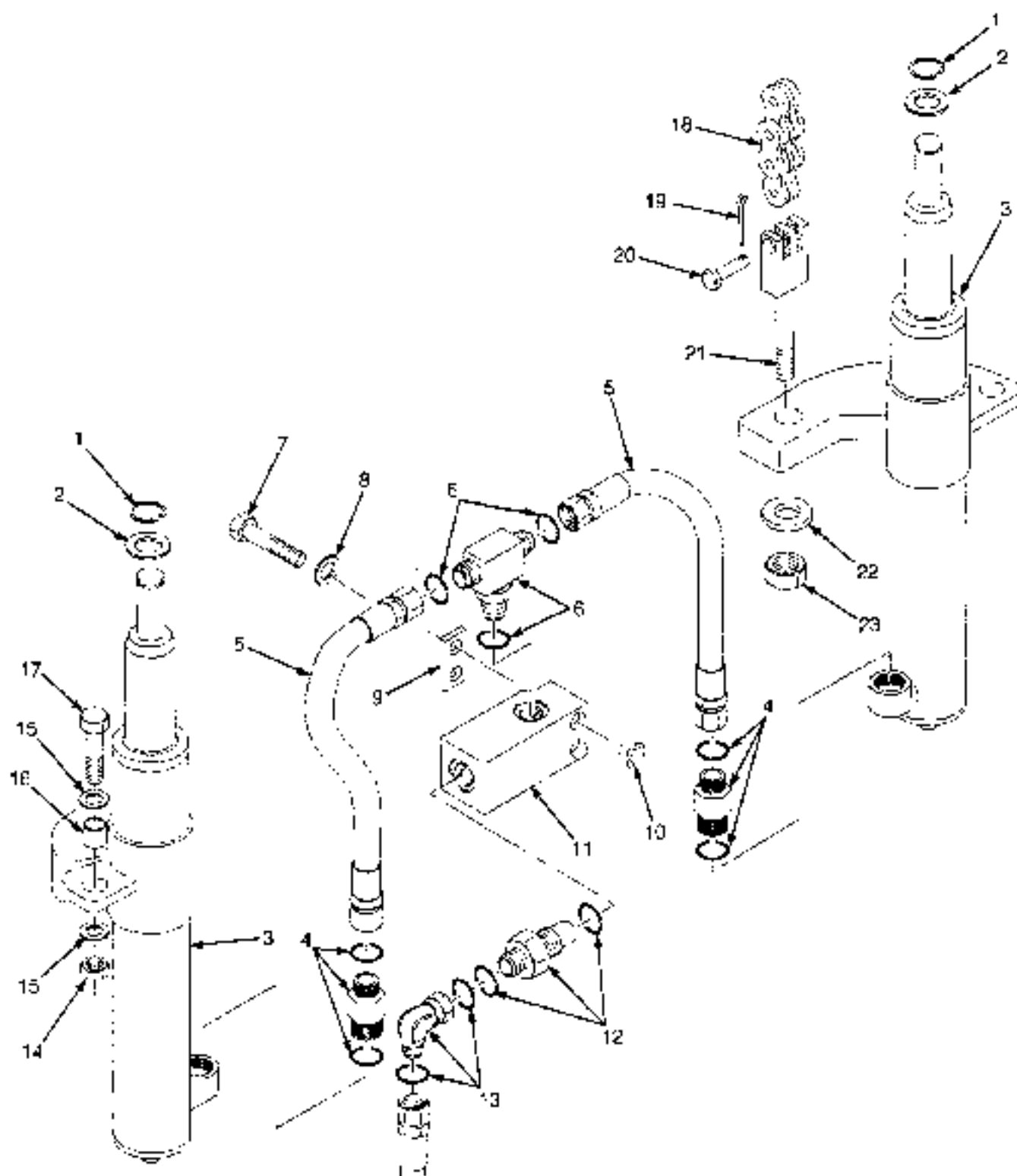
ITEM	DESCRIPTION				LIFT HEIGHT TO BOTTOM OF FORKS			
					3058 mm	3558 mm	4058 mm	4558 mm
	1	2	3	4				
	Mast				D562	D562	D562	D562
	Group Number				3058	3558	4058	4558
	Inner Mast				1524798	1524803	1524808	1524813

ITEM	PART NO	DESCRIPTION	QTY
1	a	Inner Mast	1
2	1346216	Stubshaft	2
3	58901	Snap Ring	2
4	129387	Shim (0,508 mm)	AR
5	1333398	Load Roller	2
6	1388856	Pin	2
7	1378891	Spacer	4
8	1379884	Chain Sheave Assembly (H2 0-2.5FT)	2
9	1379885	Chain Sheave Assembly (H3 0-3.5FT)	2
8	1378898	Chain Sheave	-
8	1378894	Chain Sheave	-
8	37752	Snap Ring	1
8	1378899	Bearing	4
9	302482	Pin	2

FOOTNOTES:

a Refer to Table

MAIN LIFT (Figure 10-3) TWO STAGE LIMITED FREE-LIFT

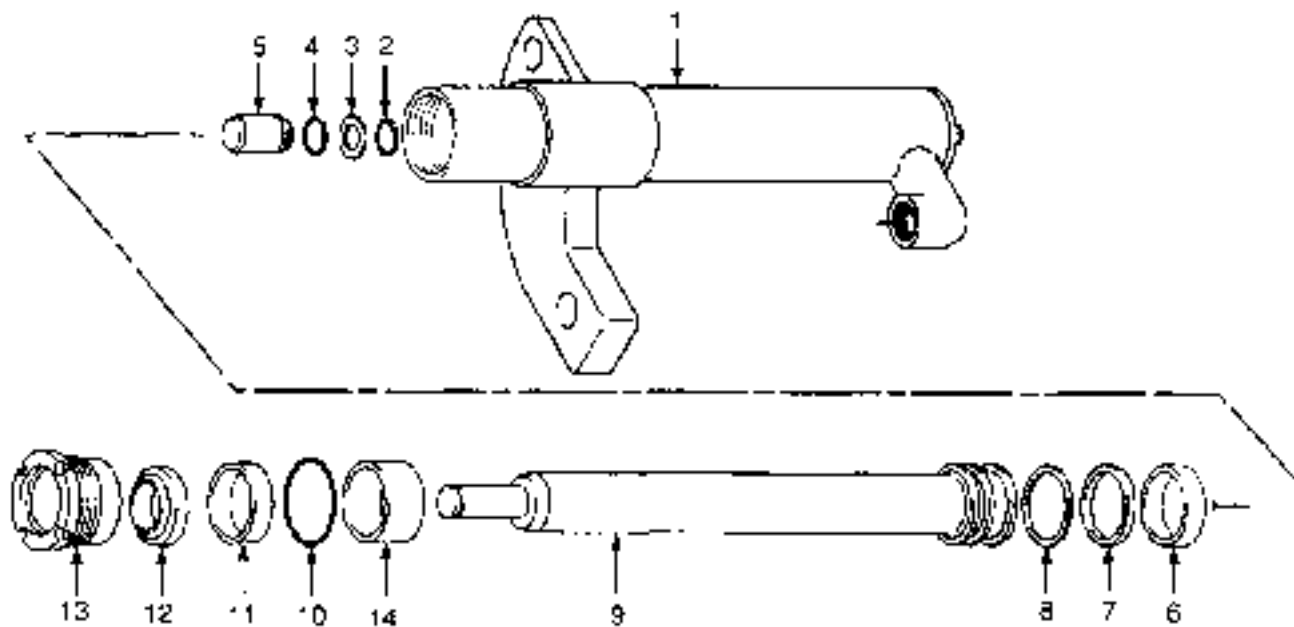


HP210260

**MAIN LIFT
TWO STAGE LIMITED FREE-LIFT**

ITEM	PART NO.	DESCRIPTION	QTY
1	131358	Snap Ring	2
2	1333382	Washer (1.50 mm)	2
2	13549'5	Washer (0,254 mm)	AR
2	13549'6	Washer (0,762 mm)	AR
2	13549'7	Washer (*,524 mm)	AR
3	...	Main Lift Cylinders (see Figure 10-4)	2
4	2062686	Velocity Fuse (H2.0-2.5FT)	2
4	2062687	Velocity Fuse (H3.0-3.5FT)	2
4	16485	O-Ring	2
4	252729	O-Ring	2
5	1481097	Hose	2
6	1532650	Fitting	1
6	252729	O-Ring	2
6	16485	O-Ring	-
7	1581936	Capscrew	2
8	1581566	Nut	2
9	1354913	Spacer	-
10	1581566	Nut	2
11	1379667	Housing (Lowering Control)	1
12	2062651	Valve (Lowering Control) (H2.0-2.5FT)	1
12	2062652	Valve (Lowering Control) (H3.0-3.5FT)	1
12	16982	O-Ring	1
12	252729	O-Ring	1
13	1486773	Fitting	1
13	252729	O-Ring	2
14	1581849	Nut	2
15	1581852	Washer	4
16	323090	Spacer	2
17	1581829	Capscrew	2
18	223389	Chain (H2.0-2.5FT 3252 mm)	2
18	246994	Chain (H2.0-2.5FT 3752 mm and 4252 mm)	2
18	336393	Chain (H2.0-2.5FT 4792 mm)	2
18	1342383	Chain (H3.0-3.5FT 3059 mm)	2
18	1342393	Chain (H3.0-3.5FT 3559 mm)	2
18	1359234	Chain (H3.0-3.5FT 4059 mm)	2
18	1342392	Chain (H3.0-3.5FT 4559 mm)	2
19	1521*	Collar Pin	2
20	1514866	Pin	2
21	1389357	Chain Anchor (H2.0-2.5FT)	2
21	1389356	Chain Anchor (H3.0-3.5FT)	2
22	297849	Base Ring	2
23	161003	Nut	2

MAIN LIFT CYLINDERS (Figure 10-4) TWO STAGE LIMITED FREE-LIFT



HP179607

**MAIN LIFT CYLINDERS
TWO STAGE LIMITED FREE-LIFT****LEFT HAND**

ITEM	DESCRIPTION 1 2 3 4	LIFT HEIGHT TO BOTTOM OF FORKS			
		3059 mm	3252 mm	3559 mm	3752 mm
	Mast Group Number	D562 3059	D507 3252	D562 3559	D507 3752
	Cylinder Group Number	8518009	8517709	8518014	8517714
	Main Lift Cylinder	2064352	2064142	2064357	2064147
1	Shell	2064278	2064202	2064283	2064207
9	Rod	1355367	1355158	1355391	1355178

LEFT HAND (CONT.)

ITEM	DESCRIPTION 1 2 3 4	LIFT HEIGHT TO BOTTOM OF FORKS			
		4059 mm	4292 mm	4559 mm	4792 mm
	Mast Group Number	D562 4059	D507 4292	D562 4559	D507 4792
	Cylinder Group Number	8518802	8517719	8518807	8518101
	Main Lift Cylinder	2064379	2064152	2064384	2064106
1	Shell	2064288	2064212	2064293	2064218
9	Rod	1355414	1355199	1355434	1355217

RIGHT HAND

ITEM	DESCRIPTION 1 2 3 4	LIFT HEIGHT TO BOTTOM OF FORKS			
		3059 mm	3252 mm	3559 mm	3752 mm
	Mast Group Number	D562 3059	D507 3252	D562 3559	D507 3752
	Cylinder Group Number	8518059	8517759	8518064	8517764
	Main Lift Cylinder	2064369	2064166	2064374	2064171
1	Shell	2064314	2064239	2064319	2064245
9	Rod	1355367	1355158	1355391	1355178

MAIN LIFT CYLINDERS TWO STAGE LIMITED FREE-LIFT

RIGHT HAND (CONT.)

ITEM	DESCRIPTION	LIFT HEIGHT TO BOTTOM OF FORKS			
		4059 mm	4292 mm	4559 mm	4792 mm
		1	2	3	4
	Mast Group Number	D562 4059	D507 4292	D562 4559	D507 4792
	Cylinder Group Number	8518852	8517769	8518857	8518151
	Main Lift Cylinder	2064398	2064176	2064434	2064120
1	Shell	2064324	2064250	2064343	2064256
9	Rod	1355414	1355199	1355434	1355217

KEY:
A: H2.0-2.5FT
B: H3.0-3.5FT

ITEM	PART NO.	DESCRIPTION	QTY	
			A	B
	a	Main Lift Cylinder	1	1
1	b	Sha	1	1
2	187388	Snap Ring	1	1
3	297531	Washer	1	1
4	39348	O-Ring	1	1
5	257913	Check Valve	1	1
6	1356750	Wear Ring	1	..
e	1356751	Wear Ring	..	1
6	322902	Wear Ring	..	1
7	2013075	Seal	1	..
7	334156	Seal	..	1
8	638246	Back-Up Ring	1	..
8	335012	Back-Up Ring	..	1
8	322824	Back-Up Ring	..	1
9	b	Rod	1	1
10	928E1	O-Ring	1	..
10	59229	O-Ring	..	1
11	*356749	Rod Seal	1	..
11	*356752	Rod Seal	1	1
11	*381095	Rod Seal	..	1
12	*319668	Wiper Ring	1	1
12	*310370	Wiper Ring	1	1
13	*355496	Guard (D507-3252 mm, D507-3752 mm, D507-4292 mm)	1	..
13	*355220	Guard (D507-4792 mm)	1	..
13	*355713	Guard (D562-3059 mm, D562-3559 mm)	..	1
13	*355409	Guard (D562-4059 mm, D562-4559 mm)	..	1
	*355276	Seal Kit (D507-3252 mm, D507-3752 mm, D507-4292 mm) (Includes items 4, 6-9, 10-12)	1	..
	*355277	Seal Kit (D507-4792 mm) (Includes items 4, 6-8, 10-12)	1	..

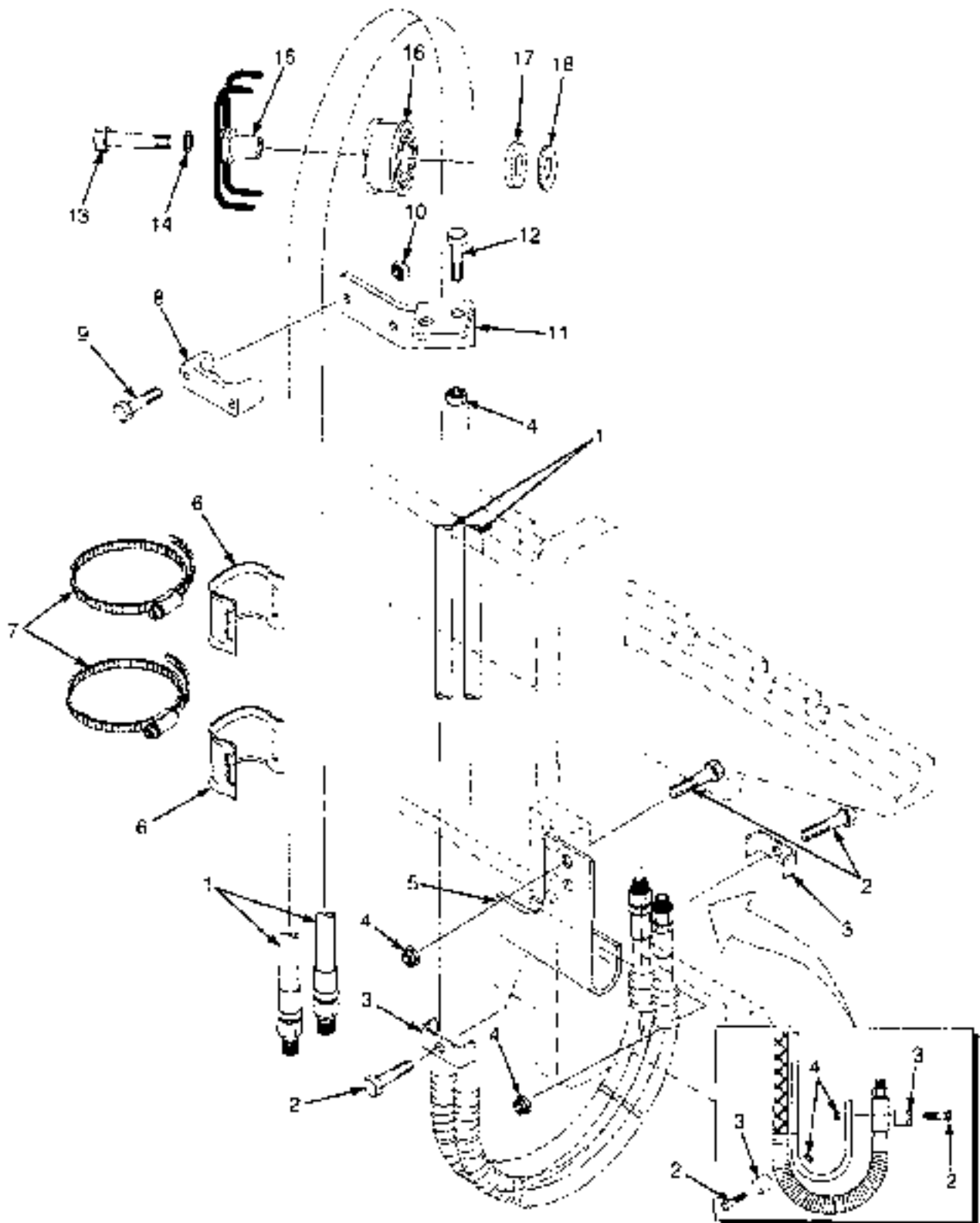
**MAIN LIFT CYLINDERS
TWO STAGE LIMITED FREE-LIFT**

ITEM	PART NO.	DESCRIPTION	QTY	
			A	B
	1499111	Sea Kit (D562-3059 mm, D562-3559 mm) (Includes Items 4, 6-8, 10-12)		*
	1355411	Sea Kit (D562-4059 mm, D562-4559 mm) (Includes Items 4, 6-8, 10-12)		*

FOOTNOTES:

a Refer to Table

HEADER HOSES (Figure 10-5) TWO STAGE LIMITED FREE-LIFT



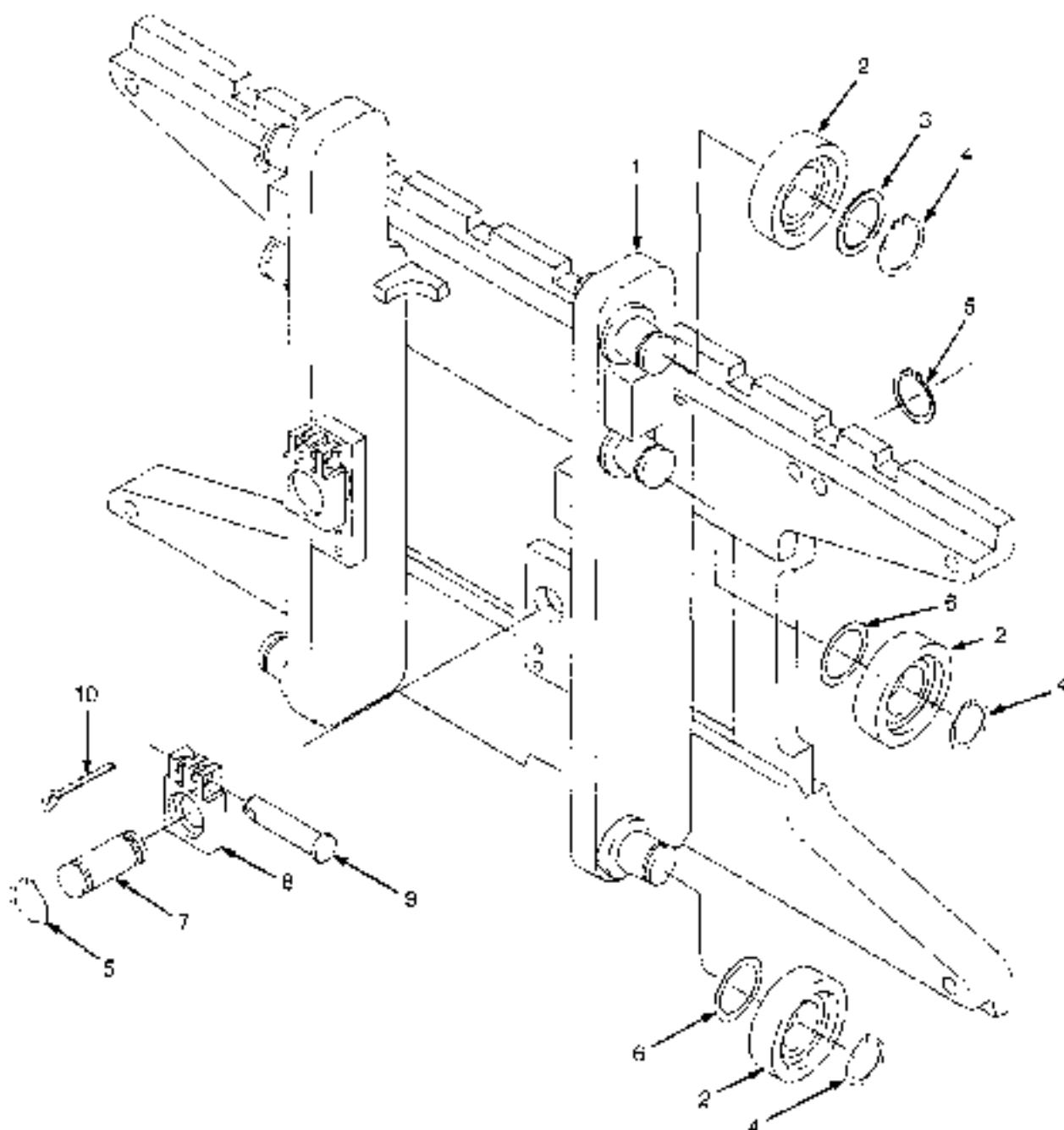
HP17094

**HEADER HOSES
TWO STAGE LIMITED FREE-LIFT****KEY:****A: Three Function****B: Four Function**

ITEM	PART NO.	DESCRIPTION	QTY	
			A	B
1	2085138	Hose (3059 mm, 3252 mm)	2	4
1	2085143	Hose (3752 mm, 3559 mm)	2	4
1	2085148	Hose (4292 mm, 4059 mm)	2	4
1	2085153	Hose (4792 mm, 4559 mm)	2	4
2	1581582	Capscrew	4	8
3	1345348	Clamp	2	4
4	1581568	Nut	6	12
5	1345412	Bracket (RH)	1	.
5	1345413	Bracket (LH)	1	1
6	1477995	Clamp	3	6
7	1481229	Clamp	1	2
8	1360386	Clamp	1	2
9	1581834	Capscrew	2	4
10	1581585	Nut	2	4
11	1354919	Bracket (RH)	1	.
11	1354921	Bracket (LH)	1	1
12	1581836	Capscrew	2	4
13	1581830	Capscrew	1	2
14	1581584	Lockwasher	1	2
15	1380548	Stubshaft	1	2
16	1494017	Sheave	1	2
17	1380549	Spacer	1	2
18	1346190	Washer	1	2
	a 1529015	Cap	2	4

FOOTNOTES:**a** Not Illustrated

CARRIAGE (Figure 10-6) TWO STAGE LIMITED FREE-LIFT



1P200013

**CARRIAGE
TWO STAGE LIMITED FREE-LIFT****KEY:**

A: H2.0-2.5FT

B: H3.0-3.5FT

ITEM	PART NO.	DESCRIPTION	QTY	
			A	B
	1343846	Carriage Assembly (1067 mm)	1	..
	1477647	Carriage Assembly (1067 mm)	1
1	1338616	Frame	1	.
1	1477930	Frame	1
1	1345264	Stütshaft	6	6
2	1345219	Load Roller	6	6
3	36611E	Spacer	2	2
4	12891	Snap Ring	6	6
5	131358	Snap Ring	4	4
6	1345263	Shim (0,508 mm)	AR	AR
7	1353408	Pin	2	2
8	1369345	Chain Anchor (Dual Hole)	2	.
8	1504010	Chain Anchor (Single Hole) (Optional)	2	.
8	1369344	Chain Anchor (Dual Hole)	2
8	1504012	Chain Anchor (Single Hole) (Optional)	2
9	1514866	Pin	2	2
10	15211	Cotter Pin	2	2
	a 386422	Snap Ring	6	6

FOOTNOTES:

a Not Illustrated

11

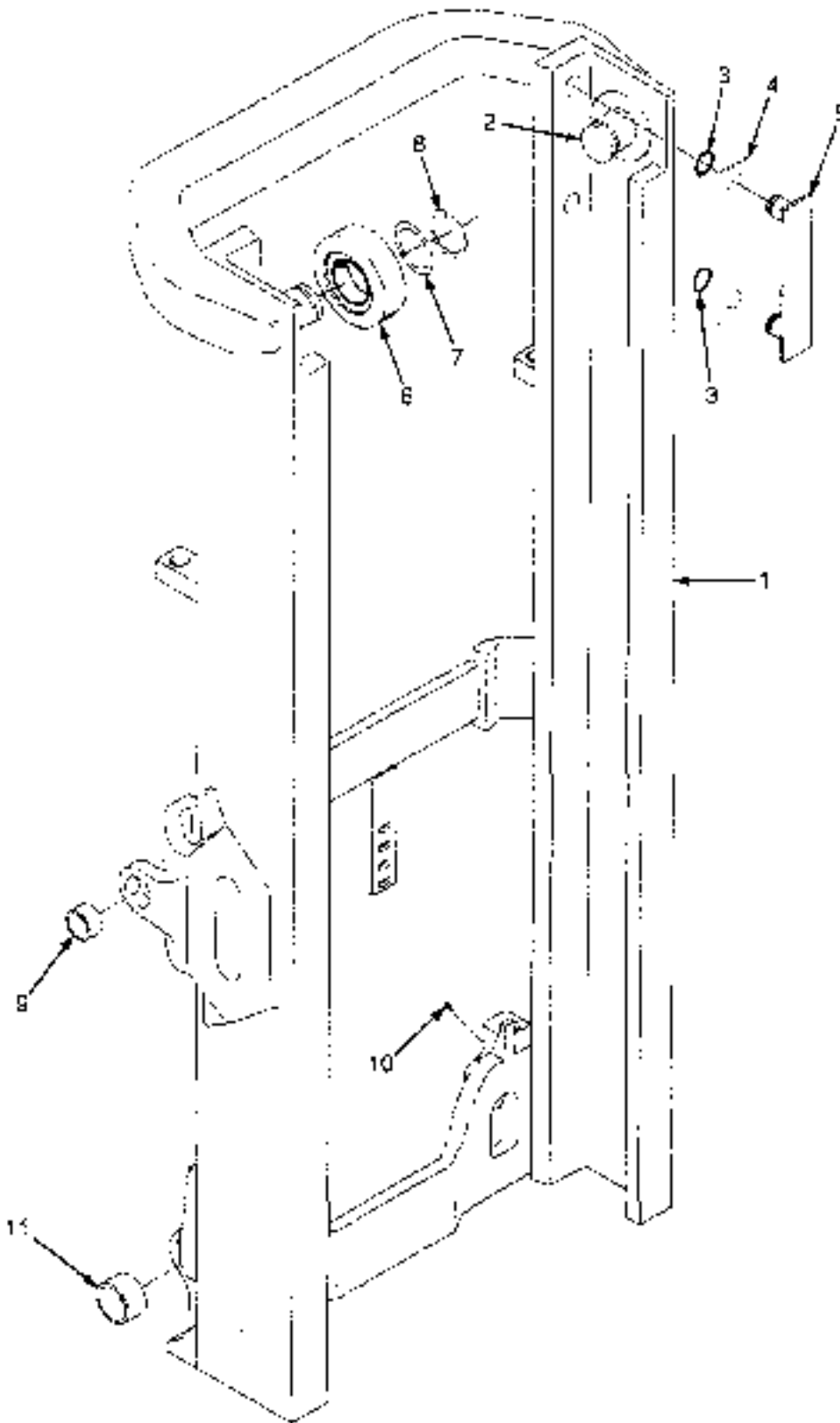
MAST-TWO STAGE FULL FREE-LIFT

SECTION 11

MAST-TWO STAGE FULL FREE-LIFT

DESCRIPTION	PAGE
CARRIAGE	
TWO STAGE FULL FREE-LIFT	11-18
FREE-LIFT	
TWO STAGE FULL FREE-LIFT	11-10
FREE-LIFT CYLINDER	
TWO STAGE FULL FREE-LIFT	11-12
HEADER HOSES	
TWO STAGE FULL FREE-LIFT	11-14
INNER MAST	
TWO STAGE FULL FREE-LIFT	11-4
MAIN LIFT	
TWO STAGE FULL FREE-LIFT	11-6
MAIN LIFT CYLINDER	
LEFT HAND	
TWO STAGE FULL FREE-LIFT	11-9
RIGHT HAND	
TWO STAGE FULL FREE-LIFT	11-8
OUTER MAST	
TWO STAGE FULL FREE-LIFT	11-2

OUTER MAST (Figure 11-1) TWO STAGE FULL FREE-LIFT

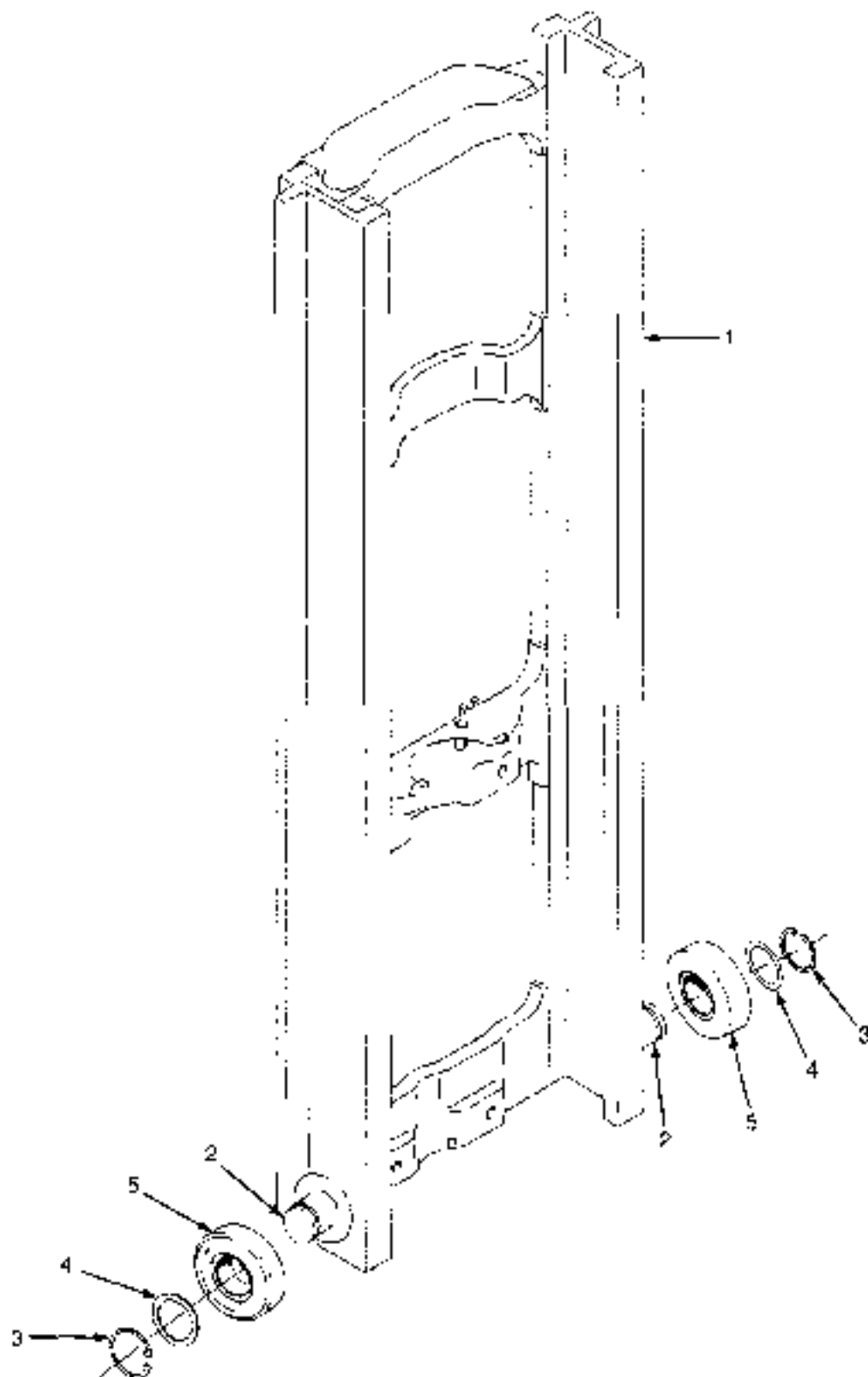


HF280204

**OUTER MAST
TWO STAGE FULL FREE-LIFT****KEY:****A: H2.0-2.5FT, D509-3262 mm****B: H3.0-3.5FT, D564-3060 mm**

ITEM	PART NO.	DESCRIPTION	QTY	
			A	B
1	1524755	Outer Mast ...	1	1
2	1345216	Stubshaft ...	2	2
3	104506	O-Ring ...	4	4
4	1317'6	Shim (0,508 mm) ...	AR	AR
4	1317'5	Shim (0,178 mm) (Optional) ...	AR	AR
5	2152'1	Bearing Strip ...	2	2
6	1333396	Load Roller ...	2	2
7	129387	Shim (0,508 mm) ...	AR	AR
8	5890'	Snap Ring ...	2	2
9	300982	Bushing ...	2	2
10	1600'	Load Fitting ...	2	2
11	1502811	Bushing ...	2	2

INNER MAST (Figure 11-2) TWO STAGE FULL FREE-LIFT

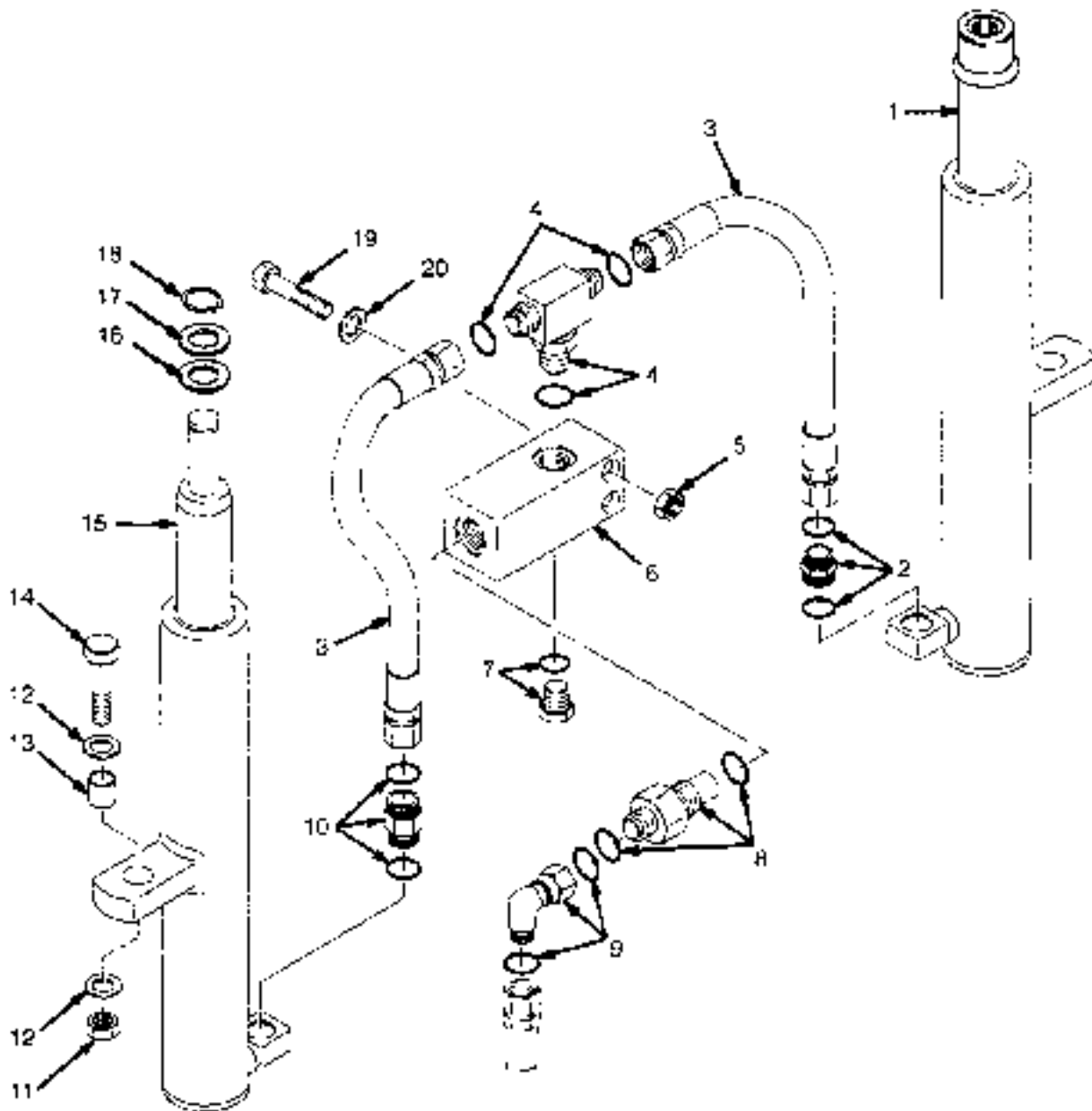


HF226035

**INNER MAST
TWO STAGE FULL FREE-LIFT****KEY:****A:** H2.0-2.5FT, D508-3252 mm**B:** H3.0-3.5FT, D564-3050 mm

ITEM	PART NO.	DESCRIPTION	QTY	
			A	B
1	1342477	Inner Mast.....	1	1
2	1345264	St. shaft.....	2	2
3	58901	Snap Ring.....	2	2
4	129387	Shim (0.508 mm).....	AR	AR
5	1333396	Load Roller.....	2	2

MAIN LIFT (Figure 11-3) TWO STAGE FULL FREE-LIFT



BP21603c

**MAIN LIFT
TWO STAGE FULL FREE-LIFT**

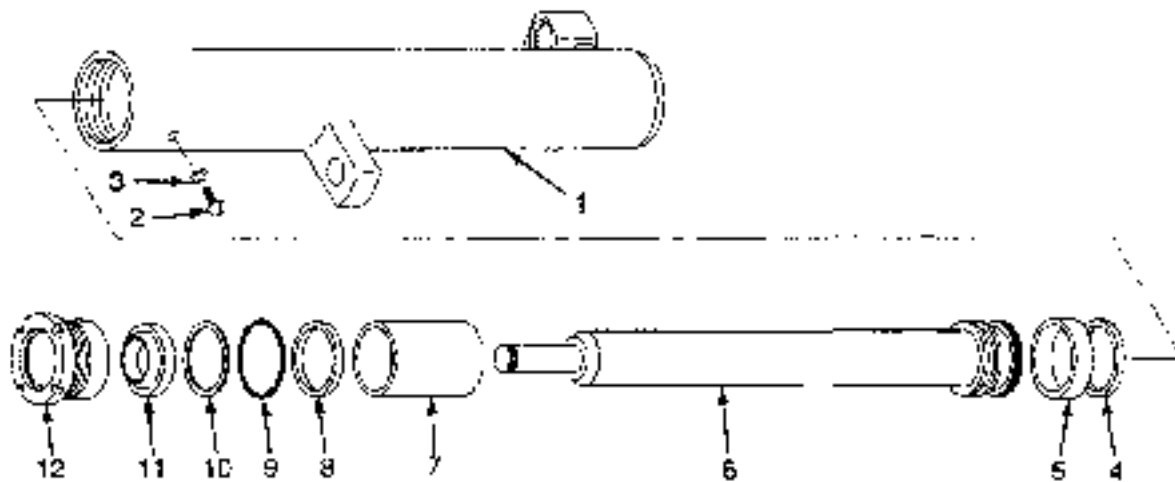
KEY:

A: M2.0-2.5FT, D509-3262 mm

B: M3.0-3.5FT, D564-3060 mm

ITEM	PART NO.	DESCRIPTION	QTY	
			A	B
1		Main Lift Cylinder (LH) (** Figure 11-5)	1	1
2	1466749	Fitting	1	1
2	252729	O-Ring	1	1
2	16485	O-Ring	1	1
3	1481097	Flange	2	2
4	1532850	Fitting	1	1
4	252729	O-Ring	2	2
4	16485	O-Ring	1	1
5	1581565	Nut	2	2
6	1379687	Housing (Lowering Control)	1	1
7	14603	Fitting	1	1
7	16486	O-Ring	1	1
8	2062852	Valve (Lowering Control)	1	1
8	2062851	Valve (Lowering Control)	1	1
8	16982	O-Ring	1	1
8	252729	O-Ring	1	1
9	1466773	Fitting	1	1
9	252729	O-Ring	2	2
10	2062857	Velocity Fuse	1	1
10	2062888	Velocity Fuse	1	1
10	16485	O-Ring	1	1
10	252729	O-Ring	1	1
11	1581849	Nut	2	2
12	1581852	Washer	4	4
13	323090	Spacer	2	2
14	1581829	Capscrew	2	2
15		Main Lift Cylinder (RH) (** Figure 11-4)	1	1
16	1354915	Washer (0.010 in.)	AR	AR
16	1354916	Washer (0.030 in.)	AR	AR
16	1354917	Washer (0.060 in.)	AR	AR
17	1333382	Washer (1.50 mm) (0.060 in.)	1	1
18	131358	Snap Ring	1	1
19	1581835	Capscrew	2	2
20	1581556	Washer	2	2

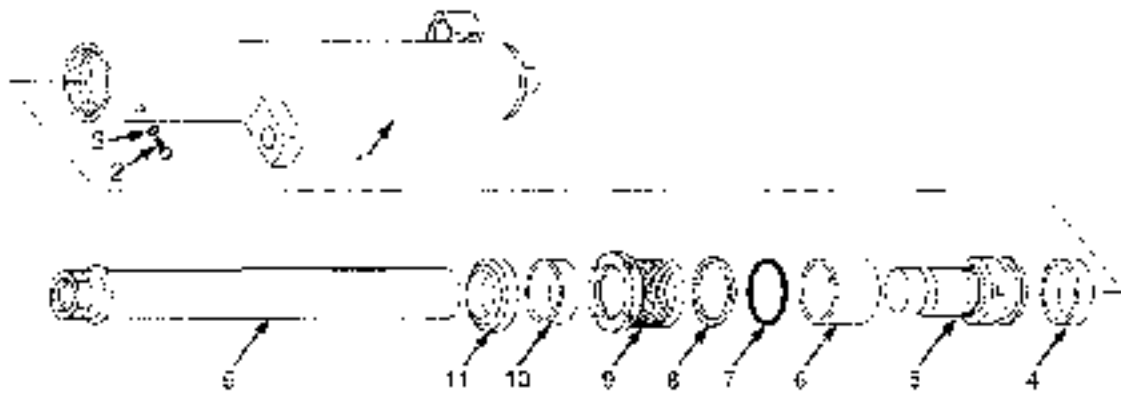
MAIN LIFT CYLINDER (Figure 11-4) RIGHT HAND TWO STAGE FULL FREE-LIFT



BP173124

ITEM	PART NO.	DESCRIPTION	QTY
	2058651	Main Lift Cylinder (H2 0-2.5F ¹ , D509-3262 mm)	1
	2060422	Main Lift Cylinder (H3 0-3.5F ¹ , D564-3060 mm)	1
1	2058536	Shell	1
2	285648	Screw	1
3	190887	Seal	1
4	1356748	Piston Ring	1
5	1356747	Wear Ring	1
6	1358940	Rod	1
7	2073159	Spacer	1
8	1381085	Rod Seal	1
9	59229	O-Ring	1
10	147972	Back-Up Ring	1
11	1319668	Wiper Ring	1
12	1355713	Gland	1
	1496922	Seal Kit (Includes Items 3-5, 8-10, 12)	1

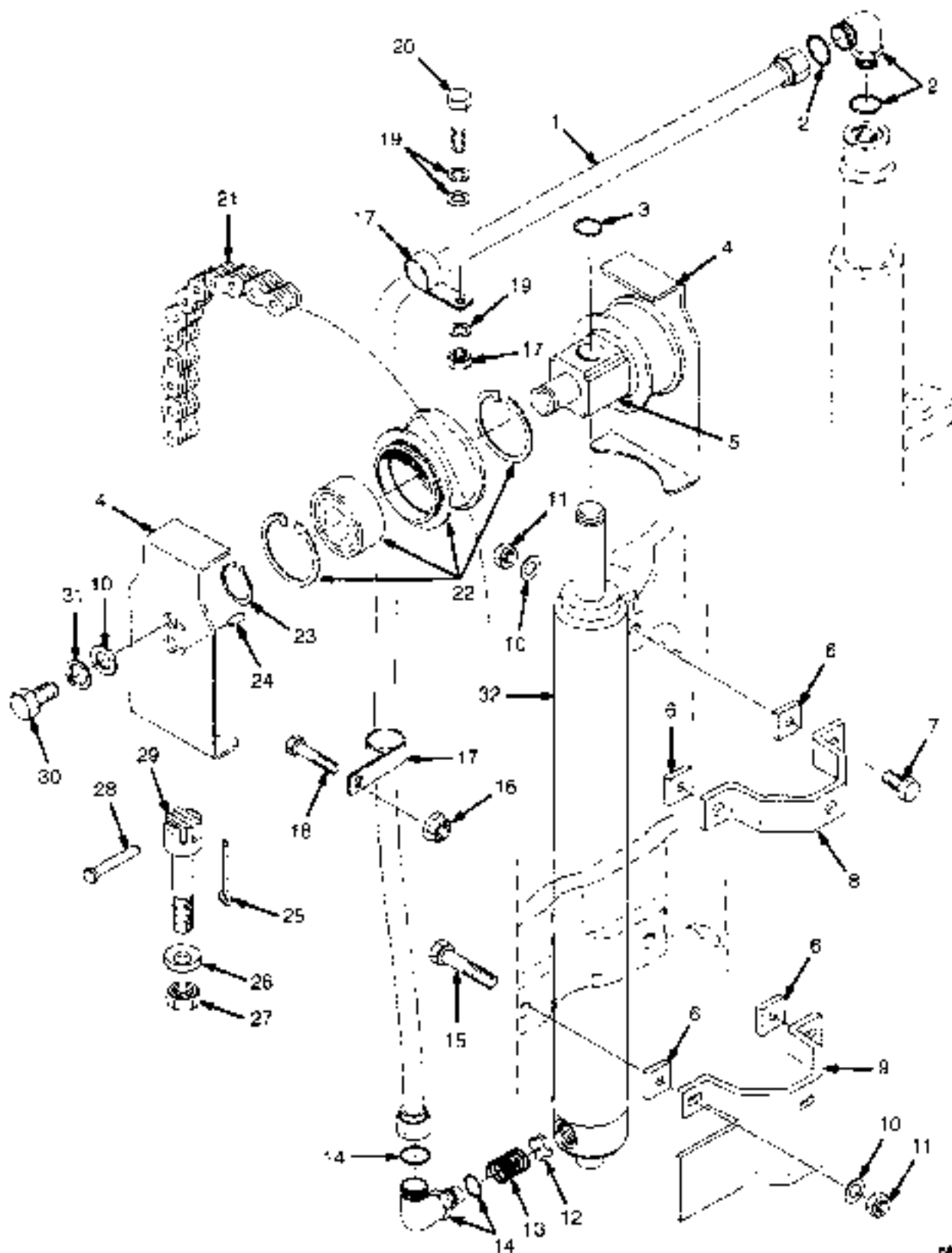
**MAIN LIFT CYLINDER (Figure 11-5)
LEFT HAND
TWO STAGE FULL FREE-LIFT**



EP370125

ITEM	PART NO.	DESCRIPTION	QTY
	2058619	Main Lift Cylinder (H2 0-2.5FT, D508-3262 mm)	1
	2058823	Main Lift Cylinder (H3 0-3.5FT, D554-3060 mm)	1
1	2058500	Shell	1
2	295649	Screw	1
3	190897	Seal	1
4	1356747	Wear Ring	1
5	1355929	Rod And Piston Assembly	1
5	1355930	Rod	1
5	2364464	Piston	1
8	2073158	Spacer (H60-70FT Models Only)	1
7	59229	O-Ring	1
8	147972	Back-Up Ring	1
9	1355713	Gland	1
10	1381055	Rod Seat	1
11	1319868	Wiper Ring	1
	1496922	Seal Kit (Includes Items 7-8, 10-11)	1

FREE-LIFT (Figure 11-6) TWO STAGE FULL FREE-LIFT



CP250017

**FREE-LIFT
TWO STAGE FULL FREE-LIFT**

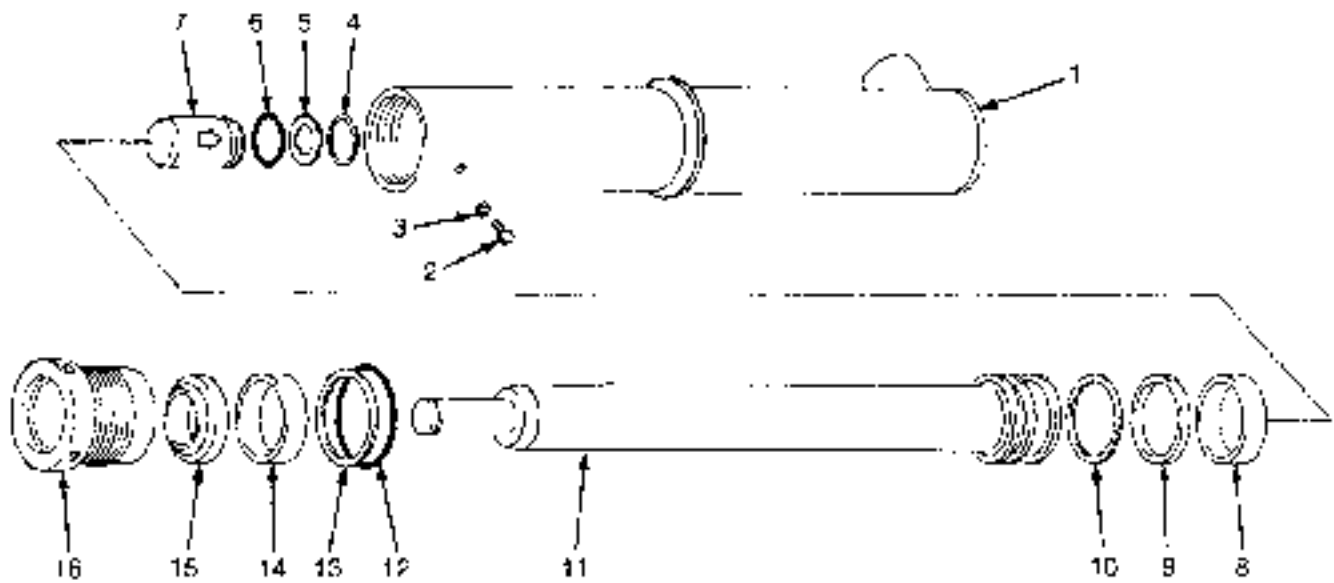
KEY:

A: H2.0-2.5FT, D609-3262 mm

B: H3.0-3.5FT, D664-3060 mm

ITEM	PART NO.	DESCRIPTION	QTY	
			A	B
1	1481742	Tube.....	1	1
2	148109C	Fitting.....	1	1
2	16485	O-Ring.....	1	1
2	244167	O-Ring.....	1	1
3	131358	Snap Ring.....	1	1
4	1395285	Chain Guard.....	2	2
5	1379690	Crosshead.....	1	1
6	1354902	Spacer.....	..	4
7	1581828	Capscrew.....	..	2
7	1581827	Capscrew.....	2	..
8	1485504	Clamp.....	1	1
9	1354987	Bracket.....	1	1
10	1581559	Washer.....	6	6
11	1581849	Nut.....	4	4
12	355505	Washer (Special).....	1	1
13	154355	Spring.....	1	1
14	1481096	Fitting.....	1	1
14	16485	O-Ring.....	1	1
14	244167	O-Ring.....	1	1
15	1581832	Capscrew.....	2	2
16	1581567	Nut.....	2	2
17	178119	Clamp.....	2	2
18	1581587	Capscrew.....	1	1
19	1581557	Washer.....	3	3
20	1581841	Capscrew.....	1	1
21	180177	Chair.....	2	..
21	1342377	Chair.....	..	2
22	1379683	Chair Sheave Assembly.....	..	2
22	1379682	Chair Sheave Assembly.....	2	..
22	1378693	Sheave.....	..	1
22	1378692	Sheave.....	1	..
22	37752	Snap Ring.....	2	2
22	1378699	Bearing.....	1	1
23	304526	Snap Ring.....	3	3
24	302481	Pin.....	2	2
25	15211	Color Pin.....	2	2
26	297649	Base Ring.....	?	2
27	161C03	Nut.....	2	2
28	1514866	Pin.....	2	2
29	1369356	Chain Anchor.....	..	2
29	1369357	Chain Anchor.....	2	..
30	1581590	Capscrew.....	2	2
31	1581564	Lockwasher.....	2	2
32	..	Free-Lift Cylinder (See Figure 11-7).....	1	1

FREE-LIFT CYLINDER (Figure 11-7) TWO STAGE FULL FREE-LIFT



8P170L10

**FREE-LIFT CYLINDER
TWO STAGE FULL FREE-LIFT**

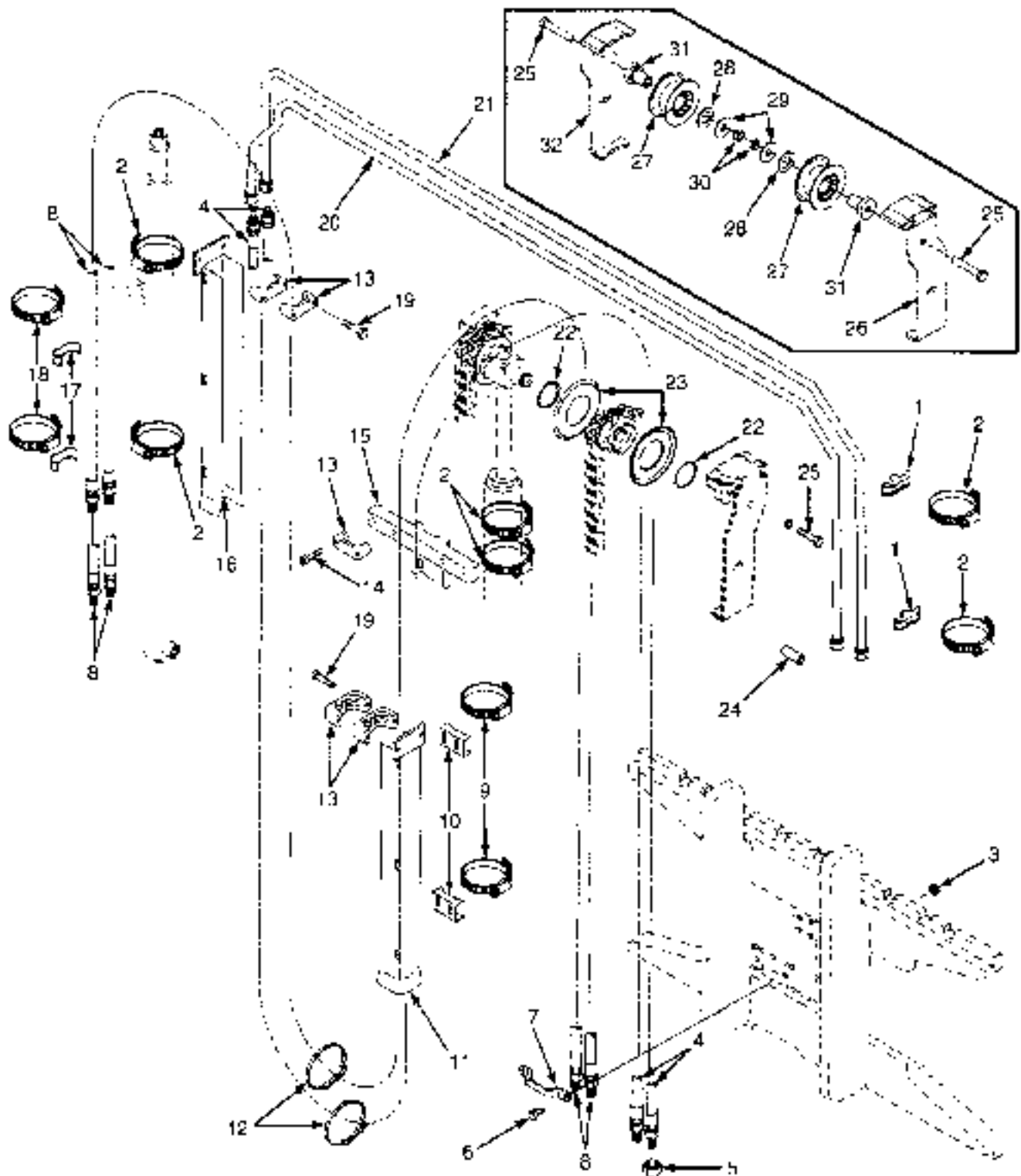
KEY:

A: H2.0-2.5FT, D509-3262 mm

B: H3.0-3.5FT, D584-3060 mm

ITEM	PART NO.	DESCRIPTION	QTY	
			A	B
	2058328	Free-Lift Cylinder	1	1
	2058706	Free-Lift Cylinder	1	1
1	2058252	Shell	1	1
1	2058213	Shell	1	1
2	1361302	Screw	1	1
3	190887	Seal	1	1
4	187368	Snap Ring	1	1
5	297531	Washer	1	1
6	190580	O-Ring	1	1
6	39348	O-Ring	1	1
7	257913	Check Valve	1	1
8	636941	Wear Ring	1	1
8	1358972	Wear Ring	1	1
9	309062	Seal	1	1
9	2013088	Seal	1	1
10	637565	Back-Up Ring	1	1
10	2013089	Back-Up Ring	1	1
11	1356691	Rod	1	1
11	1356686	Rod	1	1
12	15680	O-Ring	1	1
12	90263	O-Ring	1	1
13	164840	Back-Up Ring	1	1
13	147873	Back-Up Ring	1	1
14	1358970	Seal	1	1
15	2013089	Wiper Ring	1	1
16	1356681	Gland	1	1
16	1356282	Gland	1	1
	1356682	Seal Kit (Includes Items 3, 6, 8-10, 12-15)	1	1
	1358969	Seal Kit (Includes Items 3, 6, 8-10, 12-15)	1	1

HEADER HOSES (Figure 11-8) TWO STAGE FULL FREE-LIFT



HP302340

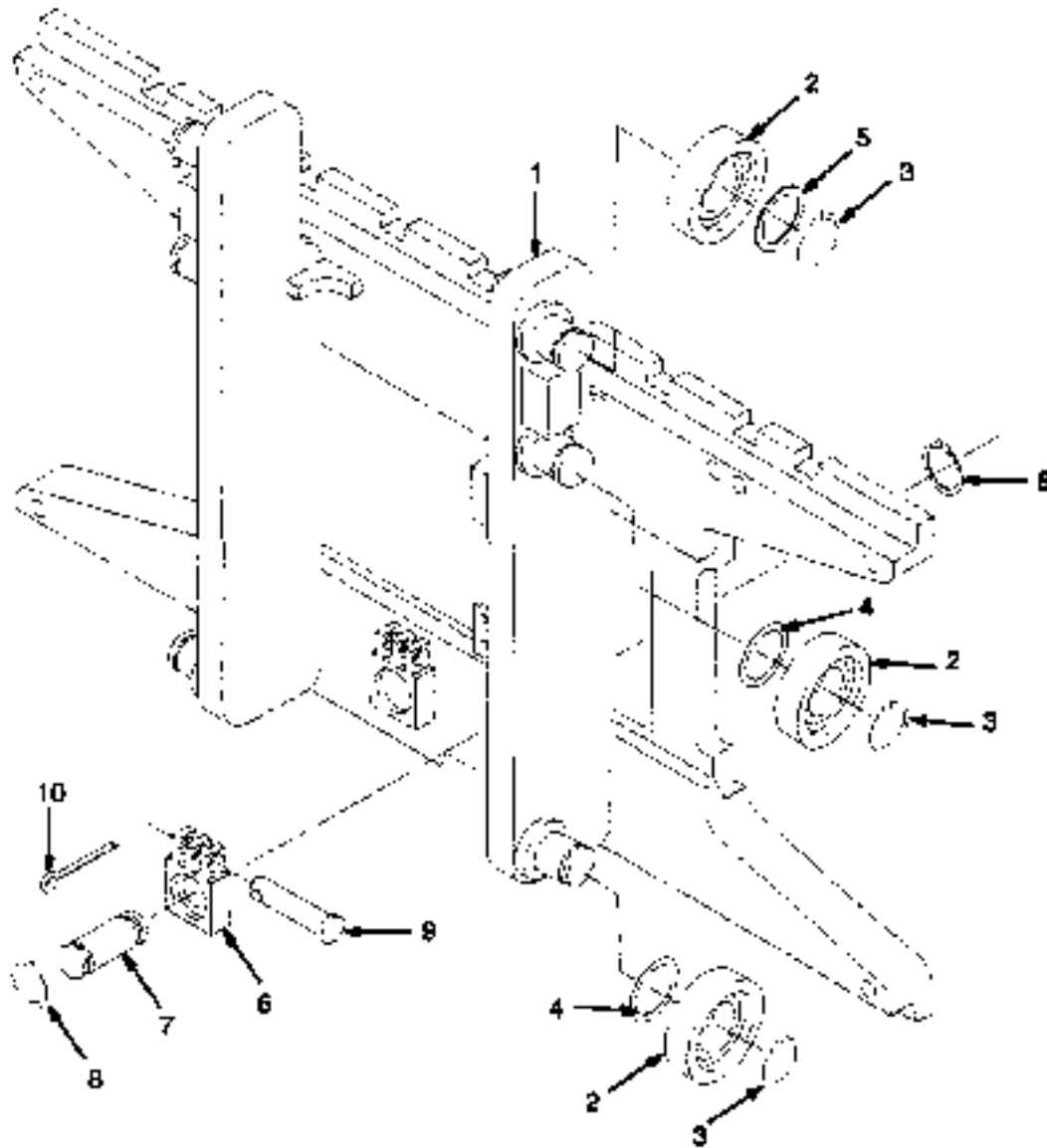
**HEADER HOSES
TWO STAGE FULL FREE-LIFT****KEY:**

A: Three Function

B: Four Function

ITEM	PART NO.	DESCRIPTION	QTY	
			A	B
1	1353530	Clamp	2	2
2	1360507	Clamp	8	8
3	1581566	Nut	2	4
4	2065211	Hose (To Side-Shift)	2	2
5	1529015	Cap	2	4
6	1581581	Capscrew	2	4
7	1369333	Clamp	1	2
8	2065241	Hose (To Mast)		2
9	1380508	Clamp	2	2
10	1345423	Clamp	2	2
11	1481232	Channel (RH)	1	1
12	137852	Strap Clamp	1	2
13	1380386	Clamp	3	6
14	1581741	Capscrew	2	4
15	1354918	Bracket	1	1
16	1385517	Channel (LH)	1	1
17	1477996	Clamp		2
18	1481229	Clamp		2
19	1581842	Capscrew	4	8
20	2086001	Tube	1	1
21	2086030	Tube	1	1
22	1346204	Snap Ring	2	4
23	1345199	Hose Guide	2	4
24	302451	Pin	2	4
25	1581830	Capscrew	1	2
26	1385292	Bracket		1
27	1494017	Sheave	1	2
28	1581560	Washer	1	2
29	1345190	Washer	1	2
30	1581849	Nut	1	2
31	1386406	Subshaft	1	2
32	1385281	Bracket	1	1

CARRIAGE (Figure 11-9) TWO STAGE FULL FREE-LIFT



HP2900'3

**CARRIAGE
TWO STAGE FULL FREE-LIFT**

KEY:

A: H2.0-2.5FT D509

B: H3.0-3.5FT D564

ITEM	PART NO	DESCRIPTION	QTY	
			A	B
	1343844	Carrriage Assembly	1	.
	1477683	Carrriage Assেম bly	1
1	1345239	Frame	1	.
1	1477932	Frame	1
1	1345264	Shaft	6	6
2	1345219	Load Roller	6	6
3	12891	Snap Ring	6	6
4	1345263	Shim (0.50E mm)	AR	AR
5	366116	Spacer	2	2
6	1369345	Chain Anchor (Dual Hole)	2	.
6	1504010	Chain Anchor (Single Hole) (Optional)	2	.
6	1369344	Chain Anchor (Dual Hole)	2
6	1504012	Chain Anchor (Single Hole) (Optional)	2
7	317735	Pin	2	2
8	131358	Snap Ring	4	4
9	1514866	Pin	2	2
10	*5211	Cotter Pin	2	2
	a 386422	Snap Ring	6	6

FOOTNOTES:

a Not Illustrated

12

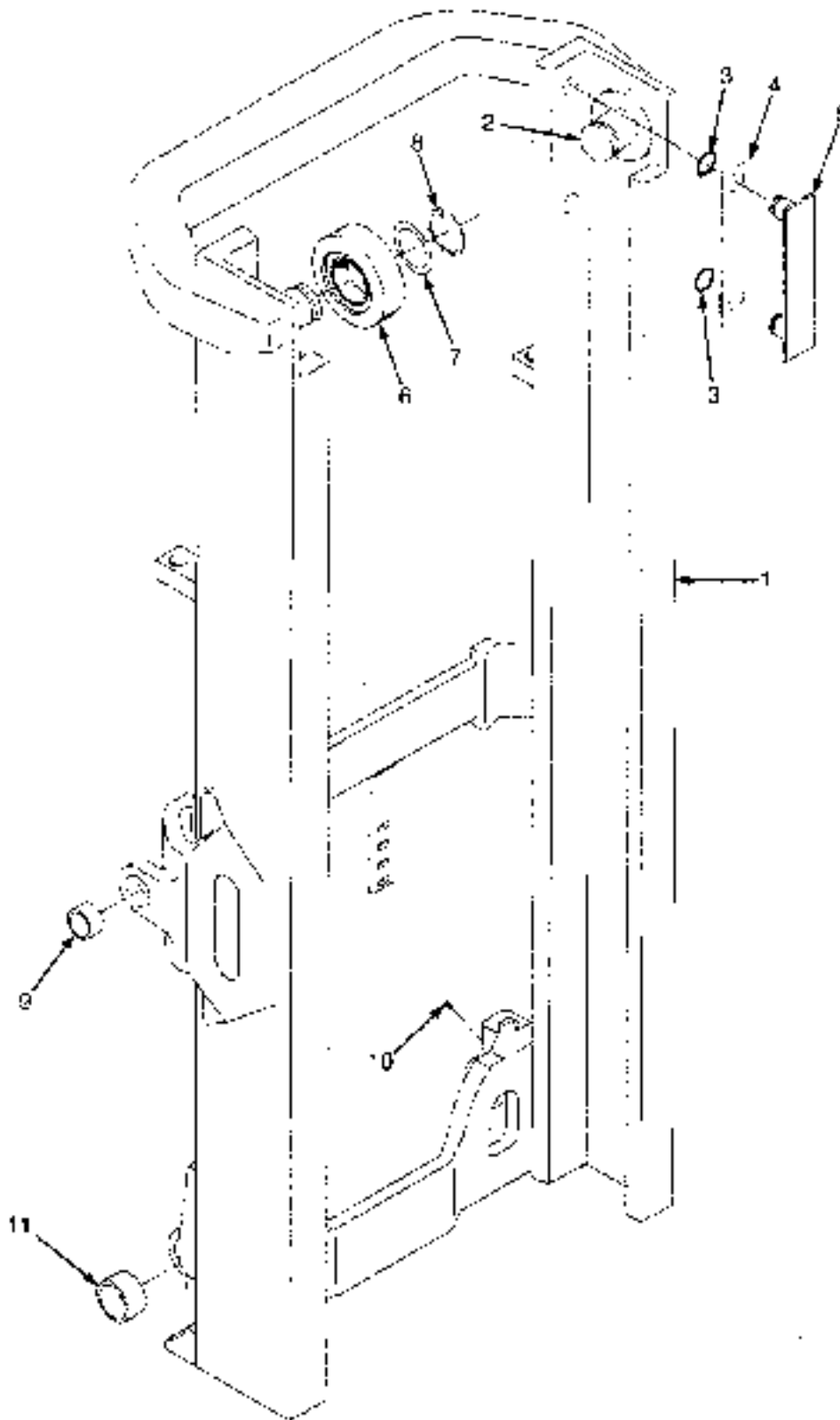
MAST-THREE STAGE FULL FREE-LIFT

SECTION 12

MAST-THREE STAGE FULL FREE-LIFT

DESCRIPTION	PAGE
CARRIAGE	
THREE STAGE FULL FREE-LIFT	12-28
FREE-LIFT	
THREE STAGE FULL FREE LIFT	12-16
FREE-LIFT CYLINDER	
THREE STAGE FULL FREE-LIFT	12-20
HEADER HOSES	
THREE STAGE FULL FREE-LIFT	12-24
INNER MAST	
THREE STAGE FULL FREE-LIFT	12-6
INTERMEDIATE MAST	
THREE STAGE FULL FREE-LIFT	12-4
MAIN LIFT	
THREE STAGE FULL FREE-LIFT	12-8
MAIN LIFT CYLINDERS	
THREE STAGE FULL FREE-LIFT	12-12
OUTER MAST	
THREE STAGE FULL FREE-LIFT	12-2

OUTER MAST (Figure 12-1) THREE STAGE FULL FREE-LIFT



HP263011

**OUTER MAST
THREE STAGE FULL FREE-LIFT****H2.0-2.5FT**

ITEM	DESCRIPTION 1 2 3 4	LIFT HEIGHT TO BOTTOM OF FORKS			
		4310 mm	4910 mm	5510 mm	5960 mm
		Mast Group Number	D508 4310	D508 4910	D508 5510
1	Outer Mast	1524751	1524755	1524760	1524763

H3.0-3.5FT

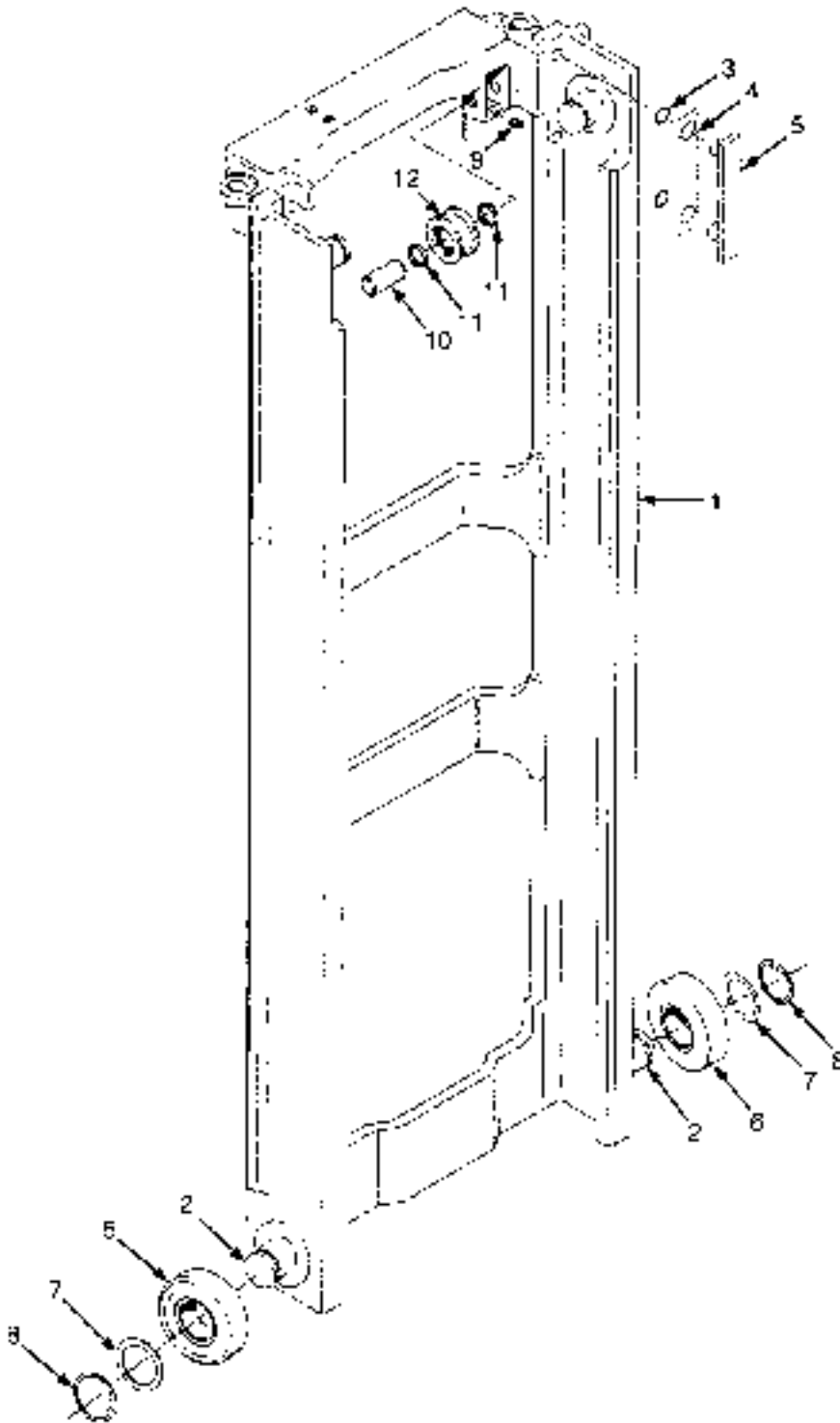
ITEM	DESCRIPTION 1 2 3 4	LIFT HEIGHT TO BOTTOM OF FORKS				
		3968 mm	4568 mm	4868 mm	5168 mm	5768 mm
		Mast Group Number	D563 3968	D563 4568	D563 4868	D563 5168
1	Outer Mast	1524751	1524755	1524758	1524760	1524764

ITEM	PART NO.	DESCRIPTION	QTY
1	a	Outer Mast	1
2	1315218	Stubshaft	2
3	104508	O-Ring	4
4	131716	Shim (0,508 mm)	AR
4	131715	Shim (0,178 mm) (Optional)	AR
5	215211	Bearing Strip	2
6	1233398	Load Roller	2
7	129387	Shim (0,508 mm)	AR
8	58901	Snap Ring	2
9	300982	Bushing	2
10	16001	Lube Fitting	2
11	1502811	Bushing	2

FOOTNOTES:

a Refer to Table

INTERMEDIATE MAST (Figure 12-2) THREE STAGE FULL FREE-LIFT



HP1290-6

**INTERMEDIATE MAST
THREE STAGE FULL FREE-LIFT****H2.0-2.5FT**

ITEM	DESCRIPTION 1 2 3 4	LIFT HEIGHT TO BOTTOM OF FORKS			
		4310 mm	4910 mm	5510 mm	5960 mm
		Mast Group Number	D508 4310	D508 4910	D508 5510
1	Intermediate Mast	1524831	1524835	1524839	1524842

H3.0-3.5FT

ITEM	DESCRIPTION 1 2 3 4	LIFT HEIGHT TO BOTTOM OF FORKS				
		3968 mm	4568 mm	4868 mm	5188 mm	5768 mm
		Mast Group Number	D563 3968	D563 4568	D563 4868	D563 5188
1	Intermediate Mast	1524831	1524835	1524837	1524839	1524843

KEY:

A: H2.0-2.5FT

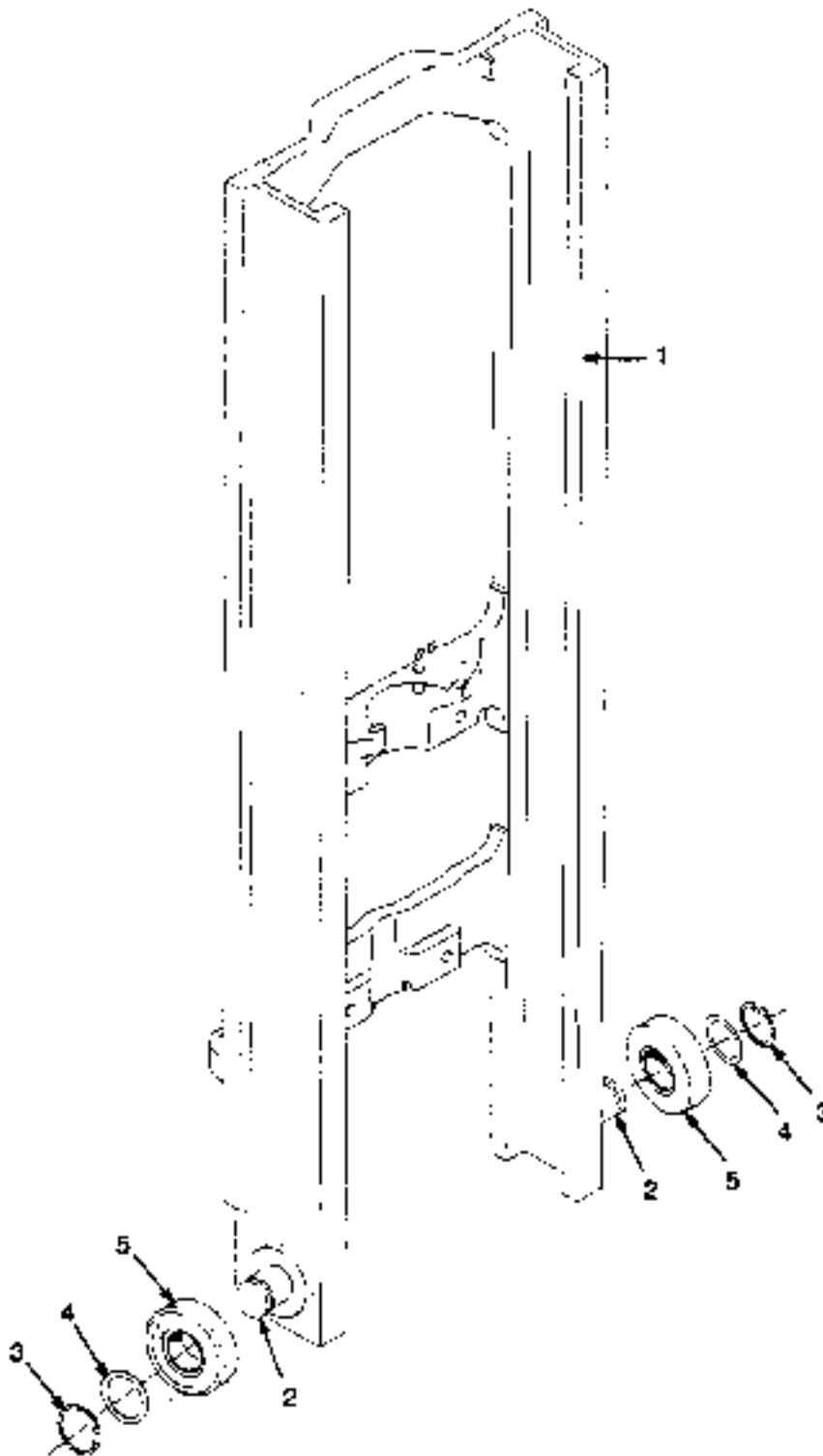
B: H3.0-3.5FT

ITEM	PART NO.	DESCRIPTION	QTY	
			A	B
1	a	Intermediate Mast	1	1
2	1345216	Stubshaft	2	2
3	104506	O-Ring	4	4
4	131716	Shim (0,508 mm)	AR	AR
4	131715	Shim (0,178 mm) (Optional)	AR	AR
5	215211	Bearing Strip	2	2
6	1333396	Load Roller	4	4
7	129387	Shim (0,508 mm)	AR	AR
8	58901	Snap Ring	4	4
9	302462	Pin	2	2
10	1368656	Pin	2	2
11	1378691	Spacer	4	4
12	1379685	Chain Sheave Assembly	2	.
12	1379684	Chain Sheave Assembly	.	2
12	1378698	Chain Sheave	1	.
12	1378694	Chain Sheave	.	.
12	37752	Snap Ring	1	.
12	1378699	Bearing	1	1

FOOTNOTES:

a Refer to Table

INNER MAST (Figure 12-3) THREE STAGE FULL FREE-LIFT



4P260317

**INNER MAST
THREE STAGE FULL FREE-LIFT****H2.0-2.5FT**

ITEM	DESCRIPTION 1 2 3 4	LIFT HEIGHT TO BOTTOM OF FORKS			
		4310 mm	4910 mm	5510 mm	5960 mm
	Mast Group Number	D508 4310	D508 4910	D508 5510	D508 5960
1	Inner Mast	1381354	1381358	1381362	1381365

H3.0-3.5FT

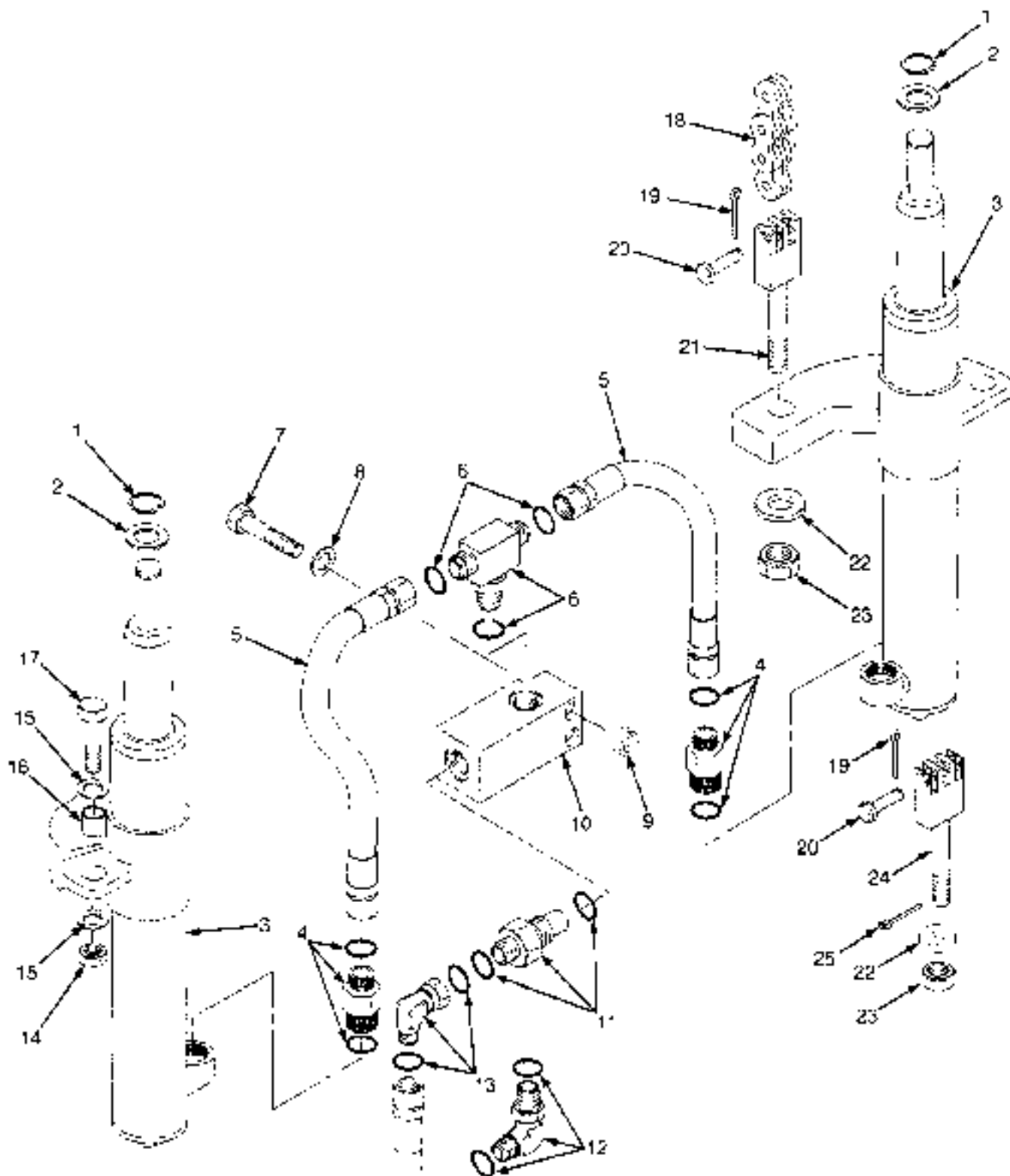
ITEM	DESCRIPTION 1 2 3 4	LIFT HEIGHT TO BOTTOM OF FORKS				
		3968 mm	4568 mm	4868 mm	5168 mm	5768 mm
	Mast Group Number	D563 3968	D563 4568	D563 4868	D563 5168	D563 5768
1	Inner Mast	1381354	1381358	1381260	1381352	1381366

ITEM	PART NO.	DESCRIPTION	QTY
1	a	Inner Mast	1
2	1345218	Stabshaf	2
3	58901	Snap Ring	2
4	129387	Shim (0,508 mm)	AR
5	1333396	Load Roller	2

FOOTNOTES:

a Refer to Table

MAIN LIFT (Figure 12-4) THREE STAGE FULL FREE-LIFT



HP2200*4

**MAIN LIFT
THREE STAGE FULL FREE-LIFT****H2.0-2.5FT**

ITEM	DESCRIPTION	LIFT HEIGHT TO BOTTOM OF FORKS			
		4310 mm	4810 mm	5510 mm	5960 mm
		1	2	3	4
	Mast Group Number	D508 4310	D508 4810	D508 5510	D508 5960
1B	Chain	182343	937174	135568	335041

H3.0-3.5FT

ITEM	DESCRIPTION	LIFT HEIGHT TO BOTTOM OF FORKS				
		3968 mm	4568 mm	4868 mm	5168 mm	5768 mm
		1	2	3	4	5
	Mast Group Number	D563 3968	D563 4568	D563 4868	D563 5168	D563 5768
1B	Chain	1342120	1342124	1342127	1342129	1342132

KEY:**A:** H2.0-2.5FT**B:** H3.0-3.5FT

ITEM	PART NO.	DESCRIPTION	QTY	
			A	B
1	131358	Snap Ring.....	2	2
2	1333392	Washer (1.50 mm).....	2	2
2	1354915	Washer.....	AR	AR
2	1354916	Washer.....	AR	AR
2	1354917	Washer.....	AR	AR
3		Main Lift Cylinders (See Figure 12-5).....	2	2
4	2062686	Velocity Fuse.....	2	
4	2062687	Velocity Fuse.....		2
4	16485	O-Ring.....	1	1
4	252729	O-Ring.....	1	1
5	1481097	Hose.....	2	2
6	1532650	Fitting.....	1	1
6	252729	O-Ring.....	2	2
6	16485	O-Ring.....	1	1
7	1581835	Cap Screw.....	2	2
8	1581558	Washer.....	2	2
9	1581566	Nut.....	2	2
10	1333392	Housing.....	1	1
11	2062651	Valve (Lowering Control).....	1	
11	2062652	Valve (Lowering Control).....		1
11	280154	O-Ring.....	1	1
11	252729	O-Ring.....	1	1
12	1480747	Fitting.....	1	1
12	16486	O-Ring.....	1	1
12	244167	O-Ring.....	1	1
13	1486773	Fitting.....	1	1
13	252729	O-Ring.....	1	1

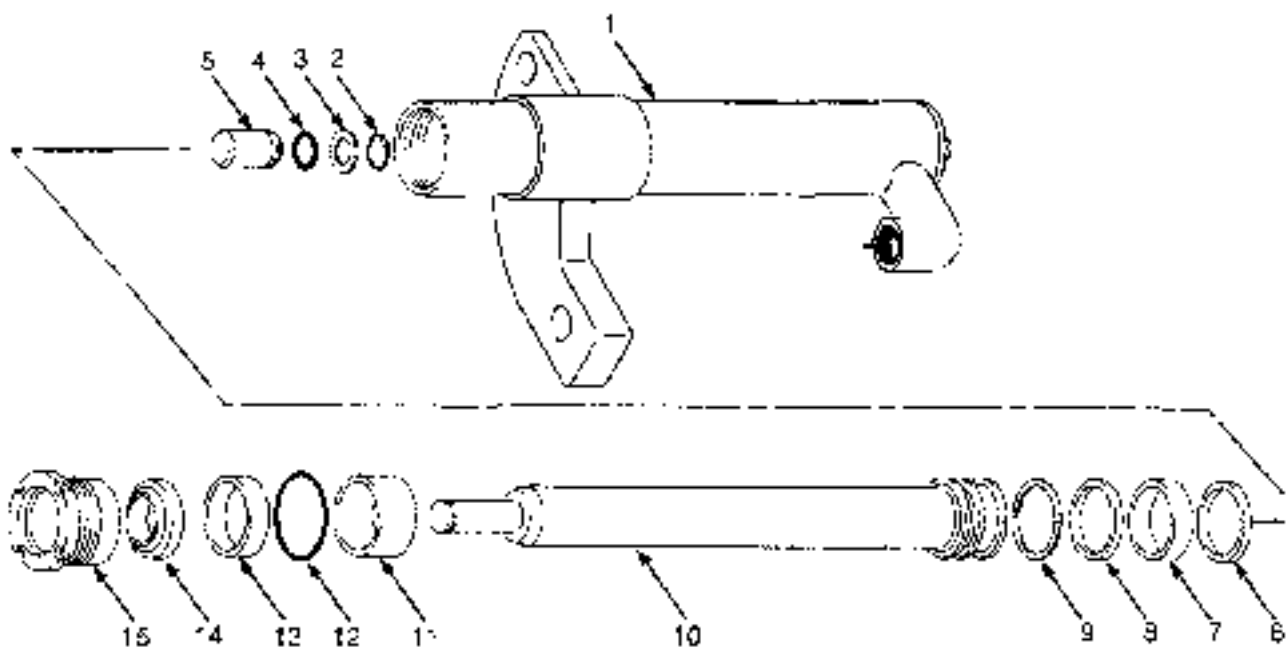
MAIN LIFT THREE STAGE FULL FREE-LIFT

ITEM	PART NO.	DESCRIPTION	QTY	
			A	B
14	1581849	Nut.....	2	2
15	1581852	Washer.....	4	4
16	323090	Spacer.....	2	2
17	1581829	Capscrew.....	2	2
18	■	Chair.....	1	1
19	15214	Cotter Pin.....	4	4
20	1514888	Pin.....	4	4
21	1369357	Chain Anchor.....	2	.
21	1369356	Chain Anchor.....	.	2
22	297649	Base Ring.....	4	4
23	181003	Nut.....	4	4
24	1365140	Chain Anchor.....	2	..
24	1333329	Chain Anchor.....	..	2
25	15223	Cotter Pin.....	2	2

FOOTNOTES:

- Refer to Table

MAIN LIFT CYLINDERS (Figure 12-5) THREE STAGE FULL FREE-LIFT



BP-110-02

**MAIN LIFT CYLINDERS
THREE STAGE FULL FREE-LIFT****LEFT HAND**

ITEM	DESCRIPTION 1 2 3 4	LIFT HEIGHT TO BOTTOM OF FORKS				
		3968 mm	4310 mm	4568 mm	4868 mm	4910 mm
		Mast Group Number	D563 3968	D508 4310	D563 4568	D563 4868
	Cylinder Group Number	8518305	8518205	8518309	8518311	8518209
	Main Lift Cylinder	206470E	2064640	2064710	2064712	2064644
1	Shell	2064583	2064607	2064563	2064565	2064611
10	Rod	1355729	1355587	1355745	1355710	1355603

LEFT HAND (CONT.)

ITEM	DESCRIPTION 1 2 3 4	LIFT HEIGHT TO BOTTOM OF FORKS			
		5168 mm	5510 mm	5768 mm	5960 mm
		Mast Group Number	D563 5168	D508 5510	D563 5768
	Cylinder Group Number	8518313	8518213	8518317	8518218
	Main Lift Cylinder	2064714	2064648	2064718	2064651
1	Shell	2064567	2064615	2064571	2064618
10	Rod	1355758	1355820	1355775	1355833

RIGHT HAND

ITEM	DESCRIPTION 1 2 3 4	LIFT HEIGHT TO BOTTOM OF FORKS				
		3968 mm	4310 mm	4568 mm	4868 mm	4910 mm
		Mast Group Number	D563 3968	D508 4310	D563 4568	D563 4868
	Cylinder Group Number	8518355	8518255	8518359	8518361	8518258
	Main Lift Cylinder	2064731	2064673	2064735	2064737	2064677
1	Shell	2064559	2073082	2064587	2064569	2073084
10	Rod	1355729	1355587	1355745	1355710	1355603

MAIN LIFT CYLINDERS THREE STAGE FULL FREE-LIFT RIGHT HAND (CONT.)

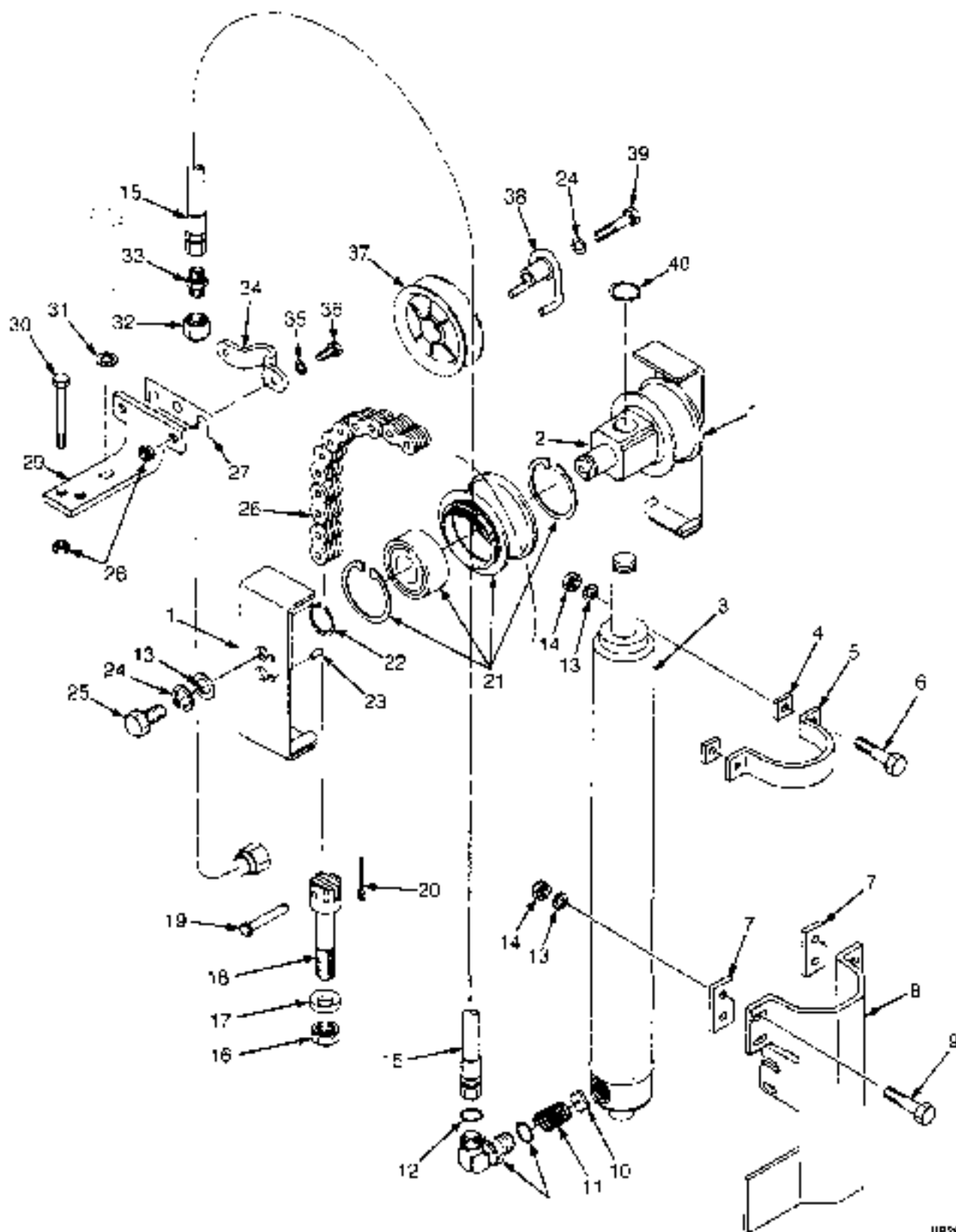
ITEM	DESCRIPTION	LIFT HEIGHT TO BOTTOM OF FORKS			
		5188 mm	5510 mm	5788 mm	5960 mm
	Mast Group Number	D563 5188	D508 5510	D563 5768	D508 5960
	Cylinder Group Number	8518368	8518263	8518367	8518266
	Main Lift Cylinder	2064739	2064681	2064743	2064684
1	Shell	2064591	2073086	2064595	2079984
10	Rod	1355758	1355620	1355775	1355633

KEY:
A: H2.0-2.5FT
B: H3.0-3.5FT

ITEM	PART NO.	DESCRIPTION	QTY	
			A	B
a		Main Lift Cylinder	1	1
a		Shell	1	1
2	187388	Snap Ring	1	1
3	297531	Washer	1	1
4	39348	O-Ring	1	1
5	257919	Check Valve	1	1
6	1360127	Piston Ring	1	1
6	1356748	Piston Ring	1	1
7	1356750	Wear Ring	1	1
7	1356751	Wear Ring	1	1
8	2013075	Seal	1	1
8	334156	Seal	1	1
9	638246	Back-Up Ring	1	1
9	335012	Back-Up Ring	1	1
10	a	Rod	1	1
11	1356610	Spacer	1	1
11	2073087	Spacer	1	1
12	92661	O-Ring	1	1
12	59229	O-Ring	1	1
13	1381095	Rod Seal	1	1
14	1319668	Wiper Ring	1	1
15	1356496	G and	1	1
15	1355713	G and	1	1
	1355497	Seal Kit; (includes Items 4, 6-9, 12-14)	1	1
	1355714	Seal Kit; (includes Items 4, 6-9, 12-14)	1	1

FOOTNOTES:
a Refer to Table

FREE-LIFT (Figure 12-6) THREE STAGE FULL FREE-LIFT



HP290013

**FREE-LIFT
THREE STAGE FULL FREE-LIFT****H2.0-2.5FT**

ITEM	DESCRIPTION 1 2 3 4	LIFT HEIGHT TO BOTTOM OF FORKS			
		4310 mm	4910 mm	5510 mm	5960 mm
		Mast Group Number	D508 4310	D508 4910	D508 5510
15	Hose	1481705	1481709	1481713	1481716
26	Chain	197345	161029	180057	180137
32	Tube	2075925	2075929	2075933	2075936

H3.0-3.5FT

ITEM	DESCRIPTION 1 2 3 4	LIFT HEIGHT TO BOTTOM OF FORKS				
		3968 mm	4568 mm	4868 mm	5168 mm	5768 mm
		Mast Group Number	D563 3968	D563 4568	D563 4868	D563 5168
15	Hose	1481705	1481709	1481711	1481713	1481717
26	Chain	1342391	1342116	1342380	1342121	1342384
32	Tube	2075925	2075929	2075931	2075933	2075937

KEY:**A:** H2.0-2.5FT**B:** H3.0-3.5FT

ITEM	PART NO.	DESCRIPTION	QTY	
			A	B
1	1395285	Chair Guard	2	2
2	1378690	Crosshead	1	1
3	Free-Lift Cylinder (See Figure 12-7)	1	1
4	1354902	Spacer	2
5	1465504	Clamp	1	1
6	1581827	Cap screw	2	..
6	1581828	Cap screw	2
7	1354903	Spacer	2
8	1354962	Bracket	1	1
9	1581832	Cap screw	4	4
10	1366505	Washer (Special)	1	1
11	154355	Spring	1	1
12	1481095	Fitting	1	1
12	16485	O-Ring	1	1
12	16982	O-Ring	1	1
13	1581659	Washer	8	8
14	1581849	Nut	6	6
15	a	Hose	1	1
16	161003	Nut	2	2
17	297649	Base Ring	2	2
18	1369357	Chain Anchor	2
18	1369358	Chain Anchor	2

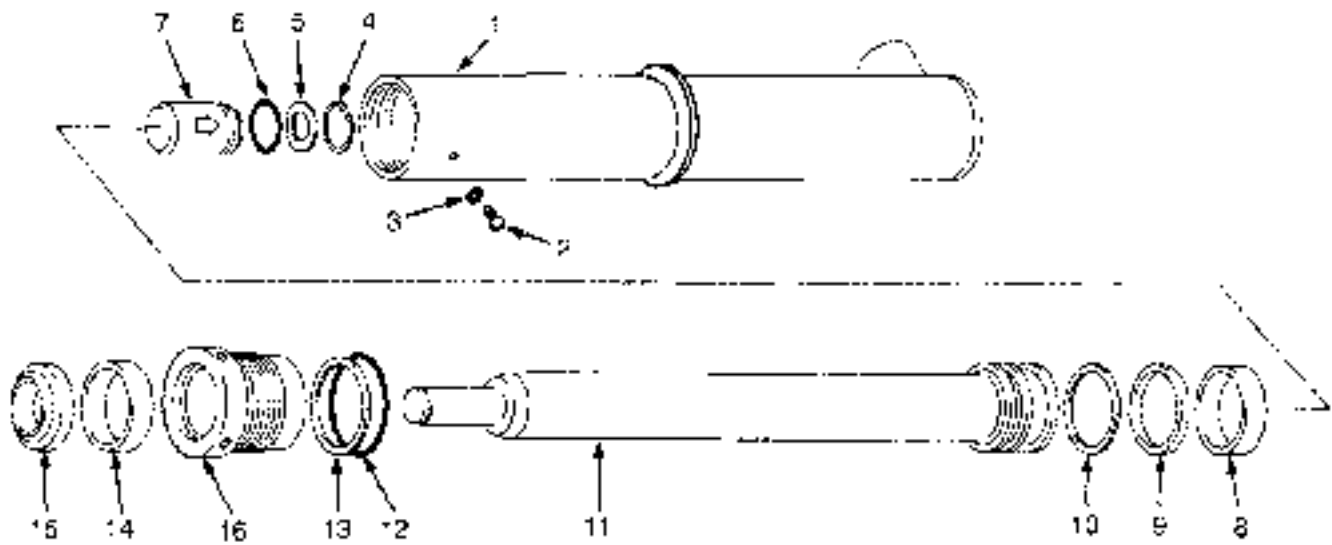
FREE-LIFT THREE STAGE FULL FREE-LIFT

ITEM	PART NO.	DESCRIPTION	QTY	
			A	B
19	1514866	Pin	2	2
20	15211	Cotter Pin	2	2
21	1379682	Chain Sheave Assembly	2	..
21	1379683	Chain Sheave Assembly		2
21	1379692	Sheave	1	..
21	1379693	Sheave	1
21	37752	Snap Ring	1	1
21	1379699	Bearing	1	1
22	304526	Snap Ring	2	2
23	302461	Pin	2	2
24	1581564	Lockwasher	3	3
25	1581590	Capscrew	2	2
26	a	Chain	2	2
27	3256*6	Spacer	AR	AR
28	1581566	Nut	4	4
29	1550298	Bracket	1	1
30	1581836	Capscrew	2	2
31	1581850	Washer	1	1
32	a	Tube	1	1
33	1522442	Fitting	1	1
33	244167	O-Ring	1	1
33	280154	O-Ring	1	1
34	1345401	Clamp	1	1
35	1581556	Washer	2	2
36	1581581	Capscrew	2	2
37	1343989	Hose Sheave	1	1
37	1354901	Bushing	1	1
38	1360534	Subshaft	1	1
39	1581829	Capscrew	1	1
40	131358	Snap Ring	1	1

FOOTNOTES:

a Refer to Table

FREE-LIFT CYLINDER (Figure 12-7) THREE STAGE FULL FREE-LIFT



BP172103

**FREE-LIFT CYLINDER
THREE STAGE FULL FREE-LIFT****H2.0-2.5FT**

ITEM	DESCRIPTION	LIFT HEIGHT TO BOTTOM OF FORKS			
		1	2	3	4
			4310 mm	4910 mm	5510 mm
	Mast Group Number	D508 4310	D508 4910	D508 5510	D508 5960
	Cylinder Group Number	8514558	8514560	8514565	8514568
	Free-Lift Cylinder	2053795	2053797	2053799	2058126
1	Shell	2058210	2058214	2058219	2058222
1*	Rod	1356560	1356572	1371831	1356588

H3.0-3.5FT

ITEM	DESCRIPTION	LIFT HEIGHT TO BOTTOM OF FORKS				
		1	2	3	4	5
			3968 mm	4568 mm	4868 mm	5168 mm
	Mast Group Number	D563 3968	D563 4568	D563 4868	D563 5168	D563 5768
	Cylinder Group Number	8518707	8518711	8518714	8518716	8518721
	Free-Lift Cylinder	2058324	2058328	2058331	2058333	2058338
1	Shell	2058251	2063891	2064046	2064754	2064753
11	Rod	1356682	1356694	1356068	1356074	1356089

KEY:**A:** H2.0-2.5FT**B:** H3.0-3.5FT

ITEM	PART NO.	DESCRIPTION	QTY	
			A	B
	a	Free-Lift Cylinder	1	*
1	a	Shell	1	*
2	1361302	Screw	1	*
3	190867	Seal	1	*
4	187388	Snap Ring	1	1
5	297531	Washer	1	*
6	39346	O-Ring	1	*
6	190560	O Ring		1
7	257913	Check Valve	1	1
8	1358972	Wear Ring	1	*
8	636941	Wear Ring		1
9	20*3088	Seal	1	*
9	309062	Seal		1
10	20*3089	Back Up Ring	1	*
10	637565	Back-Up Ring		1
11	b	Rod	1	1
12	90263	O-Ring	1	*
12	15880	O-Ring		1

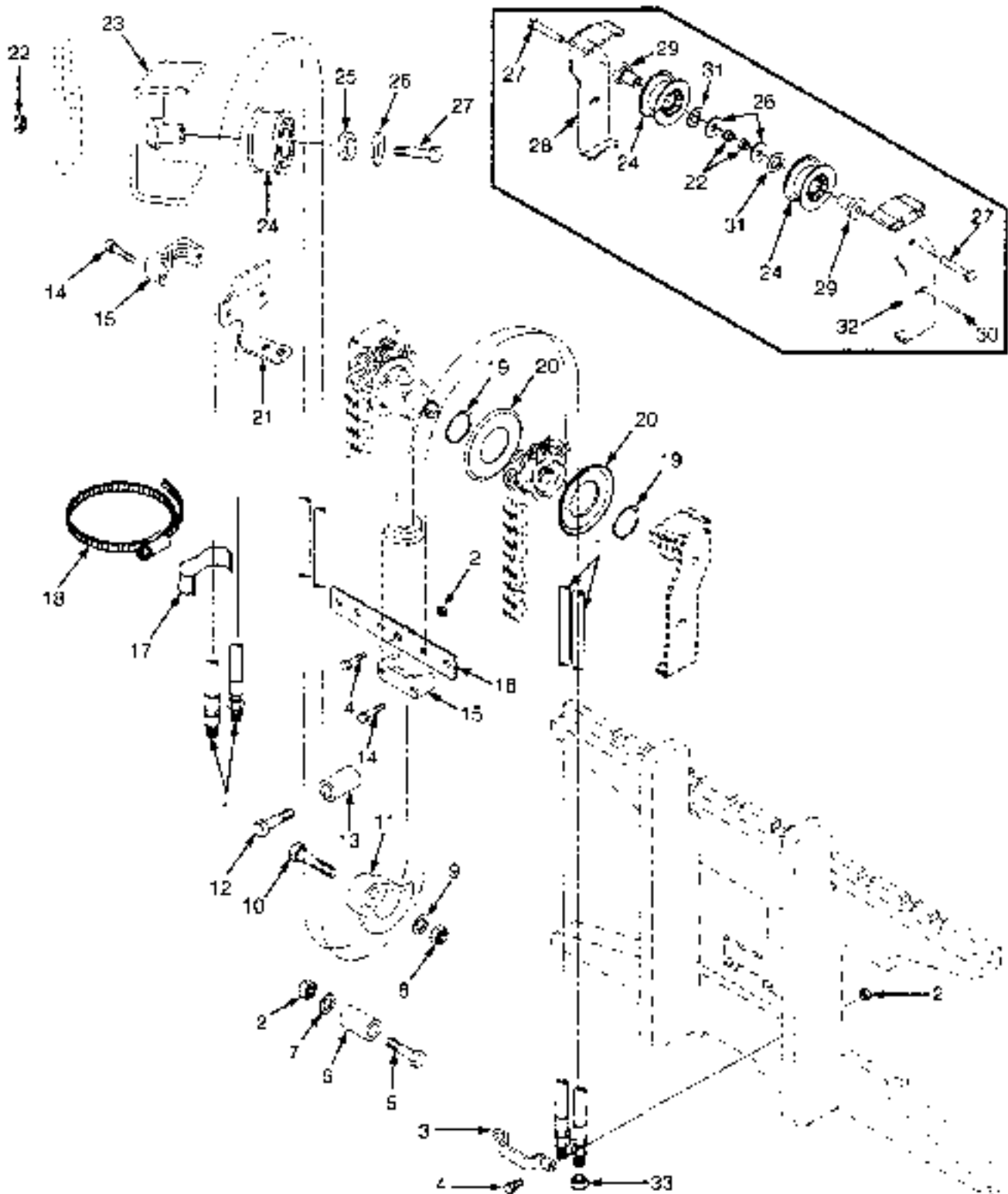
FREE-LIFT CYLINDER THREE STAGE FULL FREE-LIFT

ITEM	PART NO.	DESCRIPTION	QTY	
			A	B
13	147973	Back-Up Ring	1	..
13	164840	Back-Up Ring	1
14	1358970	Seal	1	1
15	2013099	Wiper Ring	1	1
16	1356292	Gland	1	..
16	1356661	Gland	1
	1359989	Seal Kit (Includes Items 3, 6, 8-10, *2-15)	1	..
	1356662	Seal Kit (Includes Items 3, 6, 8-10, *2-15)	1

FOOTNOTES:

a Refer to table

HEADER HOSES (Figure 12-B) THREE STAGE FULL FREE-LIFT



HP003342

**HEADER HOSES
THREE STAGE FULL FREE-LIFT****H2.0-2.5FT**

ITEM	DESCRIPTION	LIFT HEIGHT TO BOTTOM OF FORKS			
		1	2	3	4
		4310 mm	4910 mm	5510 mm	5960 mm
	Mast	D508	D508	D508	D508
	Group Number	4310	4910	5510	5960
1	Hose	2065121	2065125	2065164	2065167

H3.0-3.5FT

ITEM	DESCRIPTION	LIFT HEIGHT TO BOTTOM OF FORKS				
		1	2	3	4	5
		3968 mm	4568 mm	4868 mm	5168 mm	5768 mm
	Mast	D563	D563	D563	D563	D563
	Group Number	3968	4568	4868	5168	5768
1	Hose	2065121	2065125	2065162	2065164	2065168

KEY:**A:** Three Function**B:** Four Function

ITEM	PART NO.	DESCRIPTION	QTY	
			A	B
1	a	Hose	2	4
2	1581566	Nut	5	10
3	1369333	Clamp	1	2
4	1581581	Cap screw	4	8
5	1581835	Cap screw	1	2
6	1354961	Hose Restraint	1	2
7	158185*	Washer	4	2
8	1581567	Nut	1	2
9	1581558	Washer	4	2
10	1581588	Cap screw	1	2
11	1348246	Hose Guide (RH)	1	1
11	1348247	Hose Guide (LH)	1	1
12	1581831	Cap screw	1	2
13	1380538	Tube	1	2
14	1581842	Cap screw	4	8
15	1380386	Clamp	2	4
16	1353464	Plate	1	1
17	1477996	Clamp	1	2
18	1481229	Clamp	1	2
19	1345204	Snap Ring	2	4
20	1345199	Hose Guide	2	4
21	1354906	Bracket (RH)	1	1
21	1354907	Bracket (LH)	1	1
22	1390182	Nut	2	4
23	1382387	Stubshaft	1	2
24	1494017	Sheave	2	4
25	1380549	Spacer	1	2

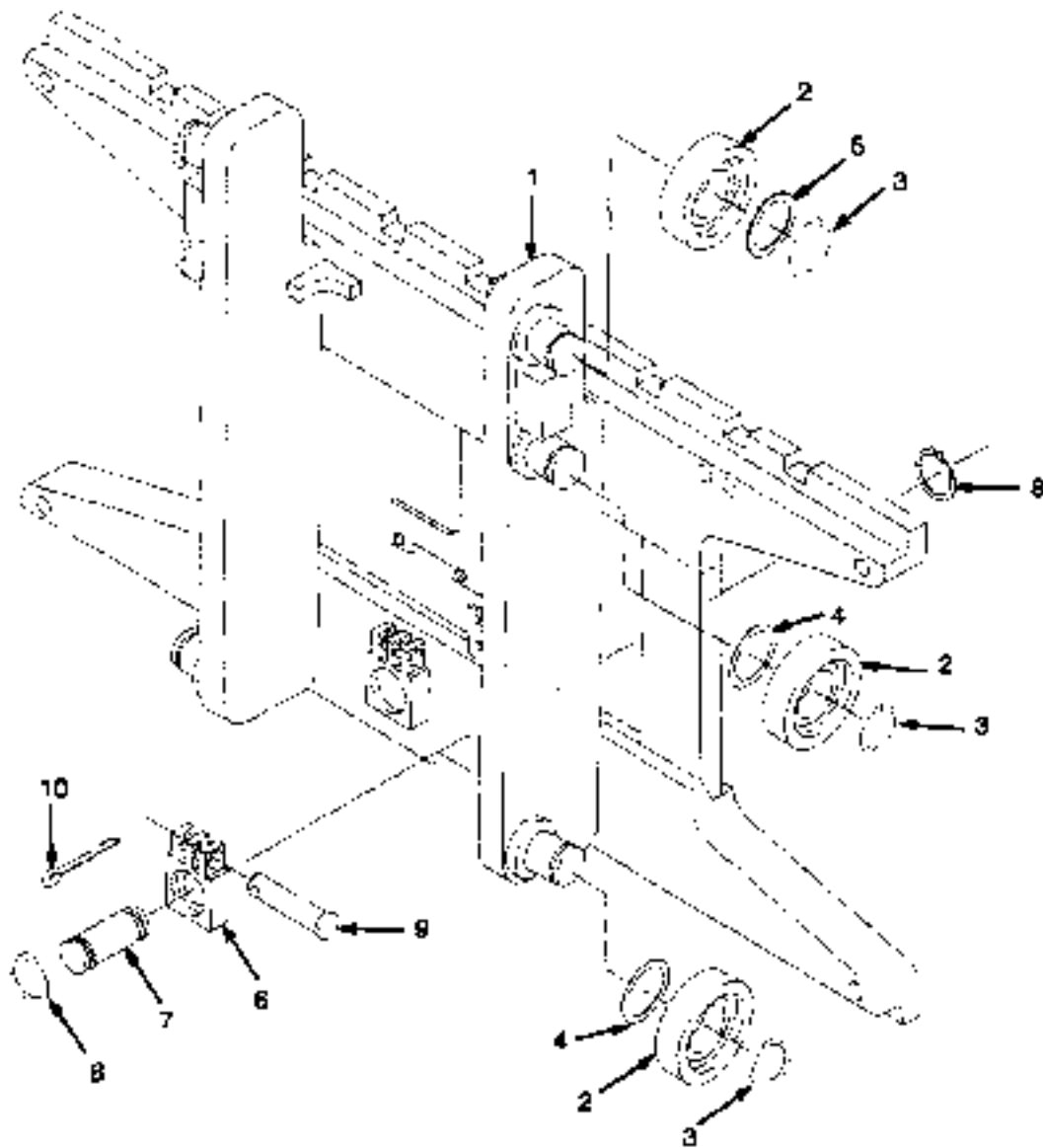
HEADER HOSES THREE STAGE FULL FREE-LIFT

ITEM	PART NO.	DESCRIPTION	QTY	
			A	B
26	1345190	Washer	2	4
27	1581830	Capscrew	2	4
28	1395291	Bracket (RH Hose Guard).....	1	1
29	1396406	Stubshaft	1	2
30	302461	Pin	1	2
31	1581560	Washer	-	2
32	1395292	Bracket (LH Hose Guard)	1
33	1529015	Cap.....	2	4
	1566564	Cap (Not illustrated).....	.	2

FOOTNOTES:

a Refer to Table

CARRIAGE (Figure 12-9) THREE STAGE FULL FREE-LIFT



HP20016

**CARRIAGE
THREE STAGE FULL FREE-LIFT****KEY:**

A- H2.D-2.5FT

B- H3.D-3.5FT

ITEM	PART NO.	DESCRIPTION	QTY	
			A	B
	1379459	Carr age Assembly	1	
	1477690	Carr age Assembly	1
1	1381560	Frame	1	
1	1477931	Frame	1
1	1345216	Subshaft	6	6
2	1333398	Load Roller	6	6
3	58901	Snap Ring	6	6
4	129387	Shim (0.502 mm)	AR	AR
5	366115	Spacer	2	2
6	1369345	Chain Anchor (Dual Hole)	2	
6	1504010	Chain Anchor (Single Hole) (Optional)	2	
6	1369344	Chain Anchor (Dual Hole)	2
6	1504012	Chain Anchor (Single Hole) (Optional)	2
7	317735	Pin	2	2
8	131358	Snap Ring	4	4
9	1514866	Pin (Chain Anchor)	2	2
10	15211	Cotter Pin	2	2
	a 1374797	Snap Ring:	6	6

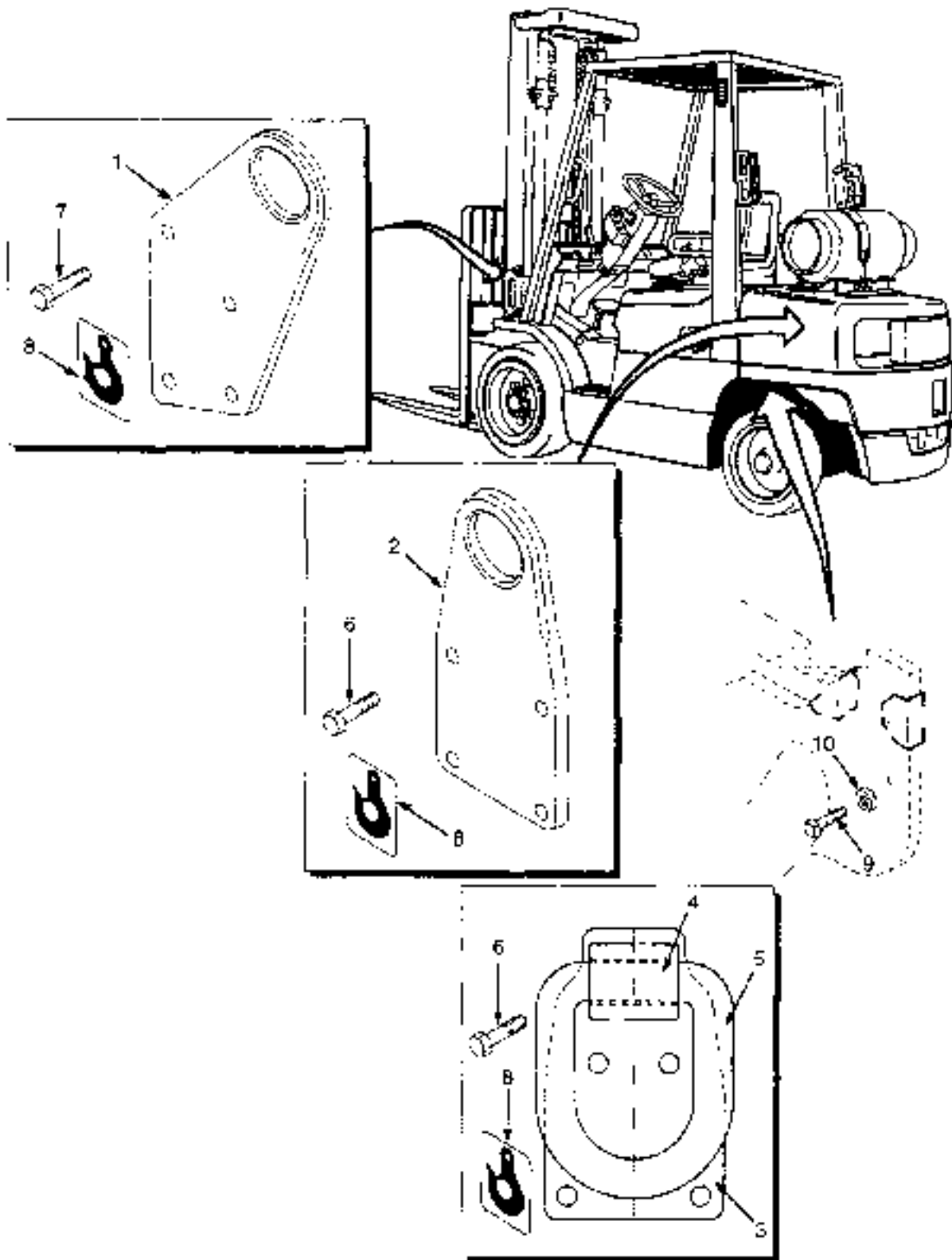
FOOTNOTES:

a Not illustrated

**SECTION 13
OPTIONS**

DESCRIPTION	PAGE
ACCUMULATOR AND ATTACHING PARTS.....	13-13
AUXILIARY TUBE EXTENSIONS	
TWO AND THREE STAGE FULL FREE-LIFT	13-30
TWO STAGE LIMITED FREE-LIFT	13-28
BACK-UP ALARM	13-4
FIRE EXTINGUISHER.....	13-12
HEATER HOSE ARRANGEMENT	
LPG AND DIESEL	13-10
INTEGRAL SIDE-SHIFT ASSEMBLY	
THREE STAGE FULL FREE-LIFT	13-22
TWO STAGE FULL FREE-LIFT	13-20
TWO STAGE LIMITED FREE-LIFT	13-16
INTEGRAL SIDE-SHIFT CYLINDER	13-26
INTEGRAL SIDE-SHIFT HYDRAULIC HOSES	
TWO AND THREE STAGE FULL FREE-LIFT	13-24
TWO STAGE LIMITED FREE-LIFT	13-18
LIFTING EYE.....	13-2
MIRRORS	
WITH CAB	13-6
WITH OVERHEAD GUARD.....	13-8

LIFTING EYE (Figure 13-1)



HP00008

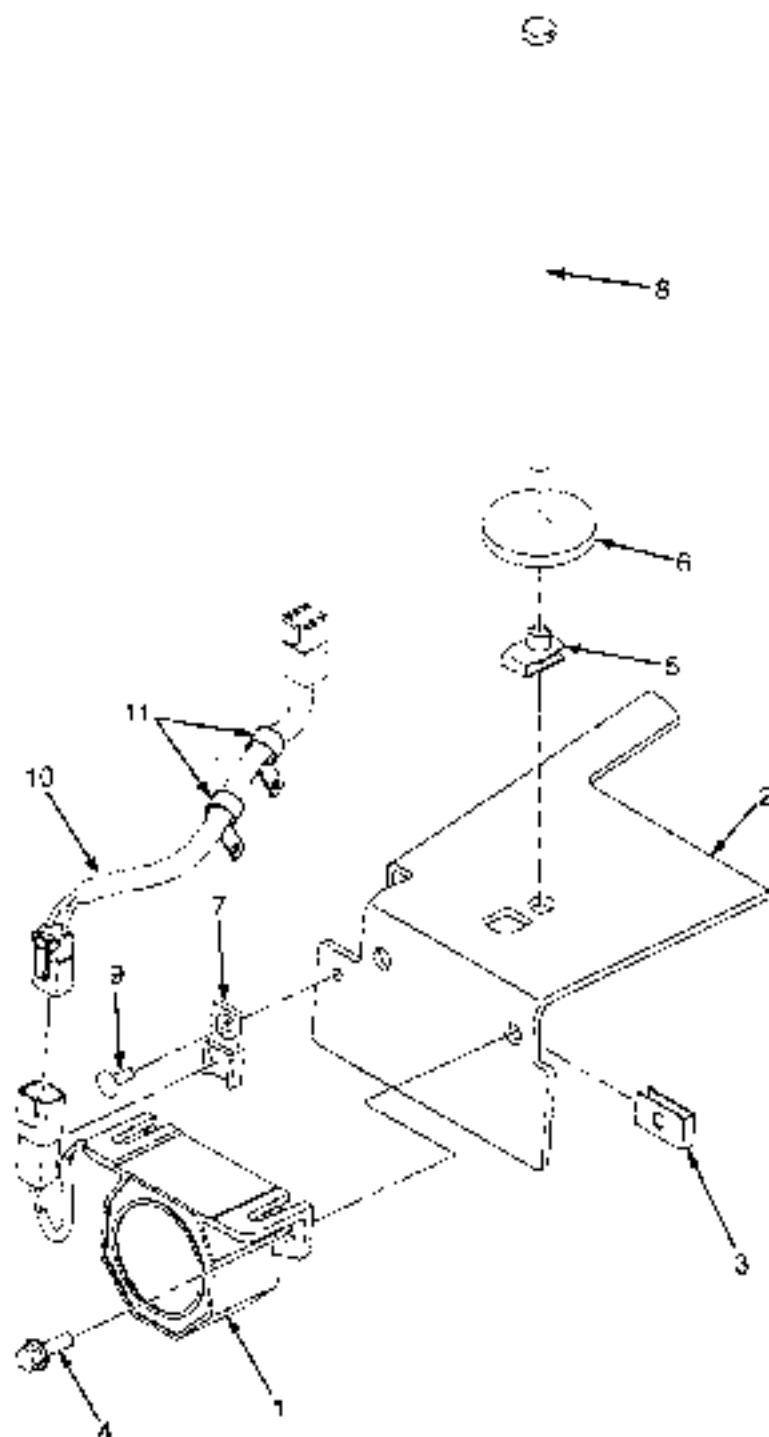
LIFTING EYE

ITEM	PART NO	DESCRIPTION	QTY
	1602394	Lifting Eye Kit (LPG)	1
	1602395	Lifting Eye Kit (Diesel)	1
1	1356400	Lifting Eye (Front)	2
2	a 1356401	Lifting Eye (Rear)	2
3	b 1586849	Lifting Eye (Rear)	2
4	1329850	Cap	1
5	1329851	Ring	1
6	1586853	Capscrew	8
7	1586790	Capscrew	8
8	316448	Label (Lifting Eye)	4
9	302323	Screw	2
10	296130	Nut	2

FOOTNOTES:

a Diesel Only

b LPG Only

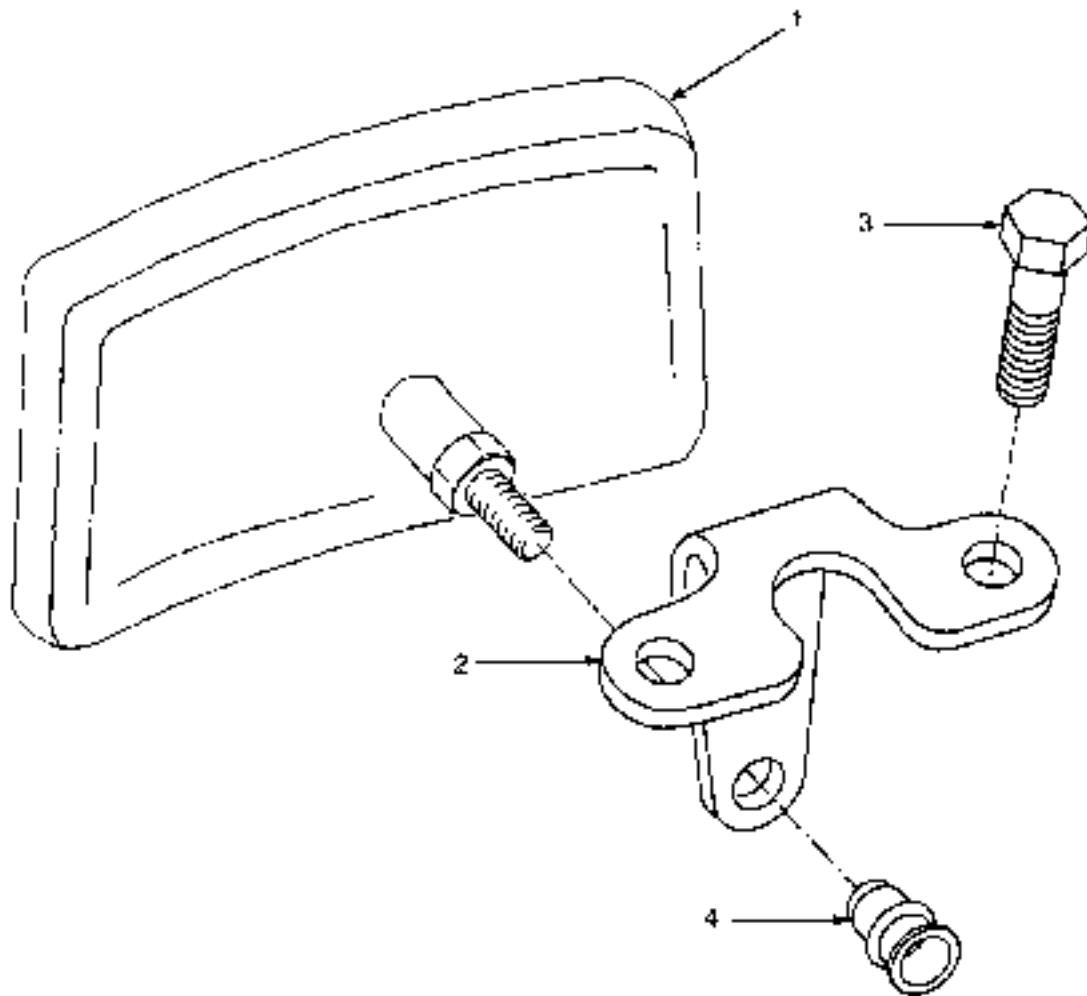
BACK-UP ALARM (Figure 13-2)

H900467

BACK-UP ALARM

ITEM	PART NO.	DESCRIPTION	QTY
1	2064929	Back-Up Alarm (82-102 dbA)	1
2	1589195	Bracket	1
3	1350215	Nut (Foldover)	2
4	1527877	Capscrew	2
5	1480237	Clip Nut	1
6	1547758	Washer	1
7	1530912	Clip	1
8	1543982	Capscrew	1
9	1582464	Fastener	1
10	2075899	Wire Harness (To RH Chassis)	1
10	1330437	Terminal (Pin)	2
10	1330438	Socket (Terminal)	2
10	1330439	Plug	4
10	1402923	Connector	1
10	1490242	Connector	1
10	1480243	Secondary Lock	1
10	1330417	Secondary Lock	1
11	1509888	Clip	2

MIRRORS (Figure 13-3) WITH CAB

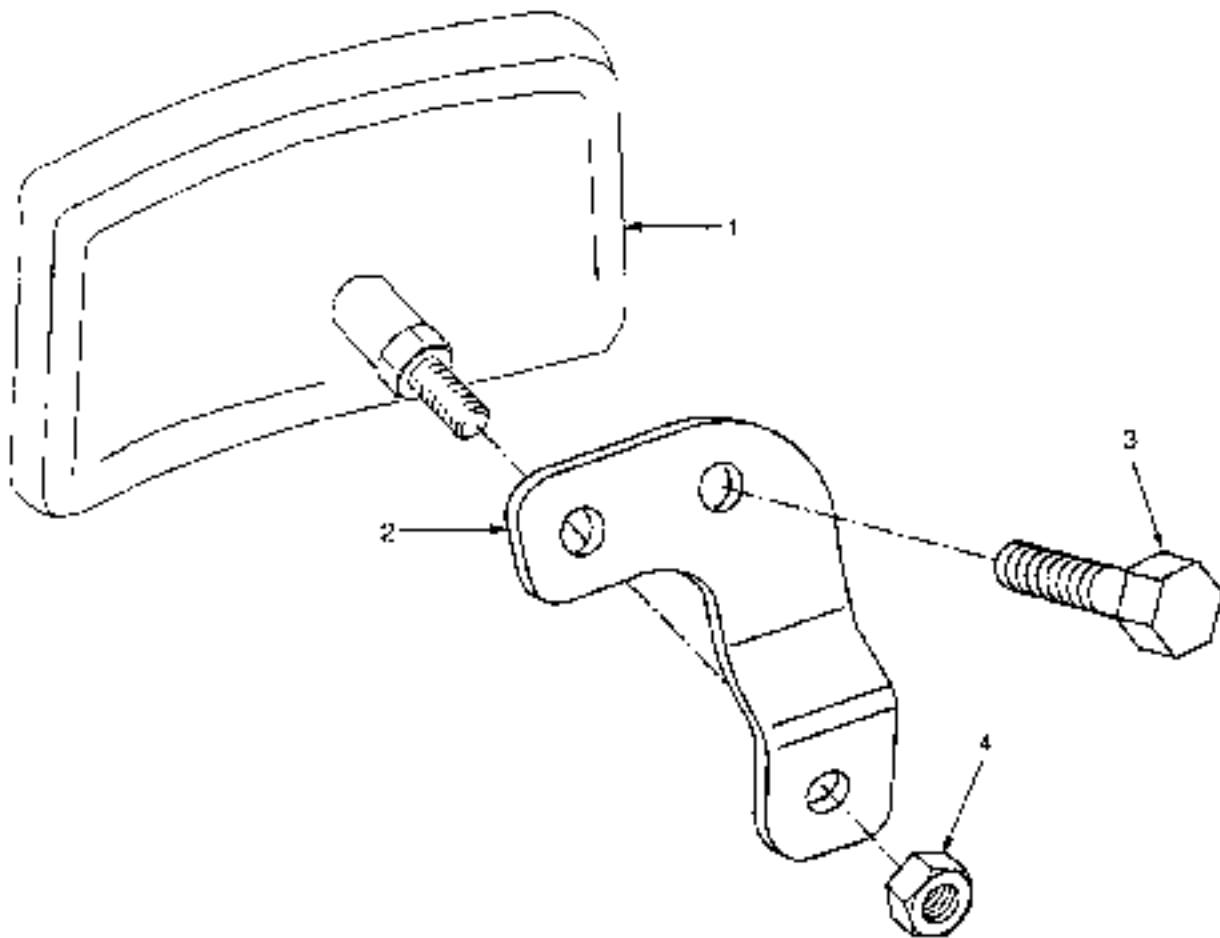


HF030086

**MIRRORS
WITH CAB**

ITEM	PART NO	DESCRIPTION	QTY
1	1301286	Mirror.....	2
2	15794*2	Bracket.....	2
3	15836*1	Capscrew.....	4
4	1531557	Insert.....	4

MIRRORS (Figure 13-4) WITH OVERHEAD GUARD

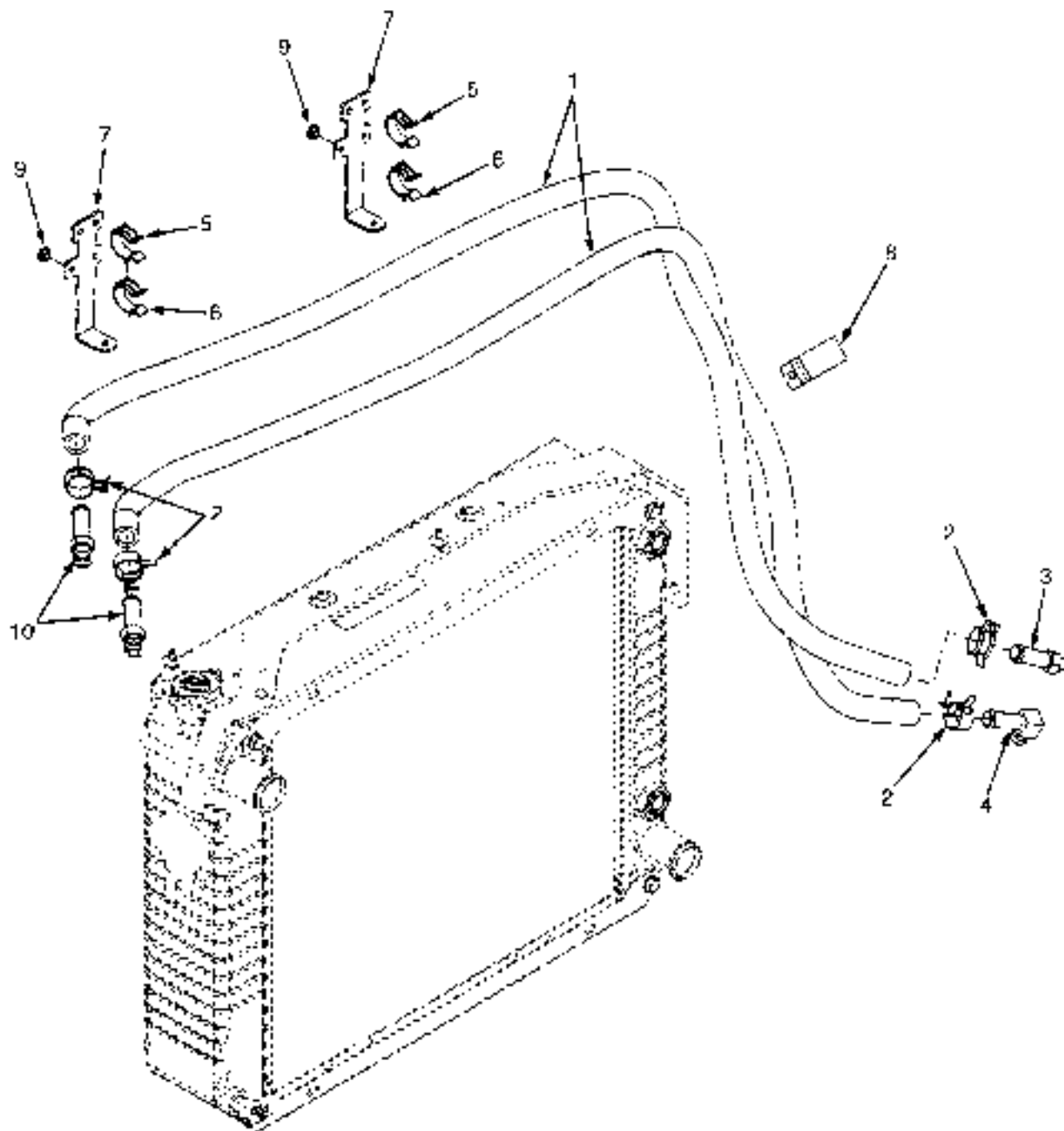


4P300385

**MIRRORS
WITH OVERHEAD GUARD**

ITEM	PART NO.	DESCRIPTION	QTY
1	1301286	Mirror	2
2	1569277	Bracket (RH)	1
2	1569278	Bracket (LH)	1
3	1583611	Capscrew	4
4	1585430	Nut	4

HEATER HOSE ARRANGEMENT (Figure 13-5) LPG AND DIESEL

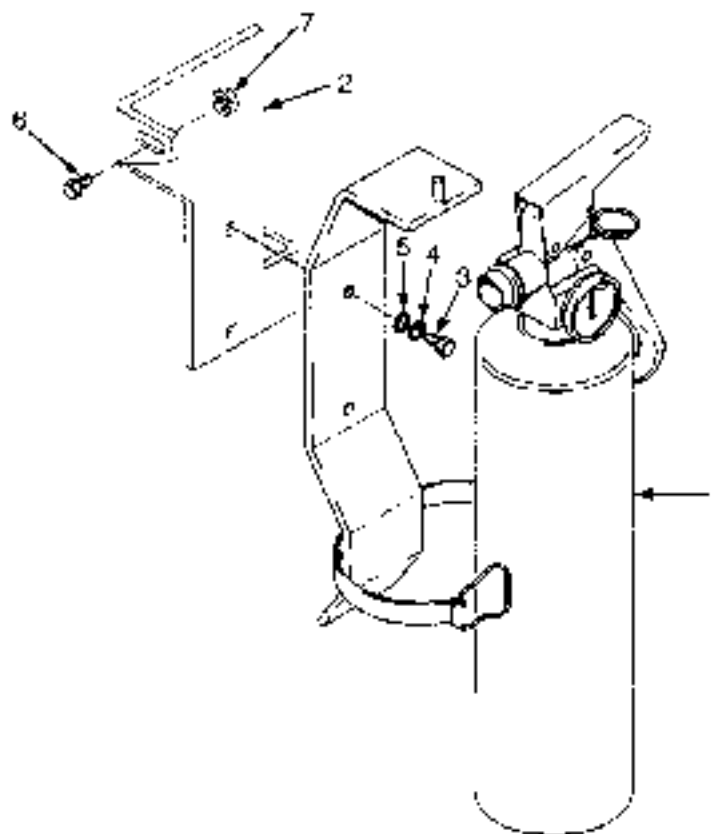


10/000001

**HEATER HOSE ARRANGEMENT
LPG AND DIESEL****KEY:****A: Mazda LPG Engines****B: GM LPG Engines****C: Yanmar Diesel Engines**

ITEM	PART NO.	DESCRIPTION	QTY		
			A	B	C
1	2071330	Hose	1	.	.
1	2070769	hose	1	.	2
1	2070783	hose	2	.
2	1501994	Clamp	4	4	4
3	138710	Fitting	1
3	Fitting (See Figure 1-9)	1	1	.
4	125305	Fitting	1
4	Fitting (See Figure 1-9)	1	.	.
5	1569465	Clamp	4	4	4
6	1543842	Base (Clamp).....	2	2	2
7	1568833	Bracket.....	2	2	2
8	1562648	Cl.p	1	1	1
9	1514429	Nut (Flange).....	4	4	4
10	Fitting (To Cab) (See Figure 1-9)	2	2	2

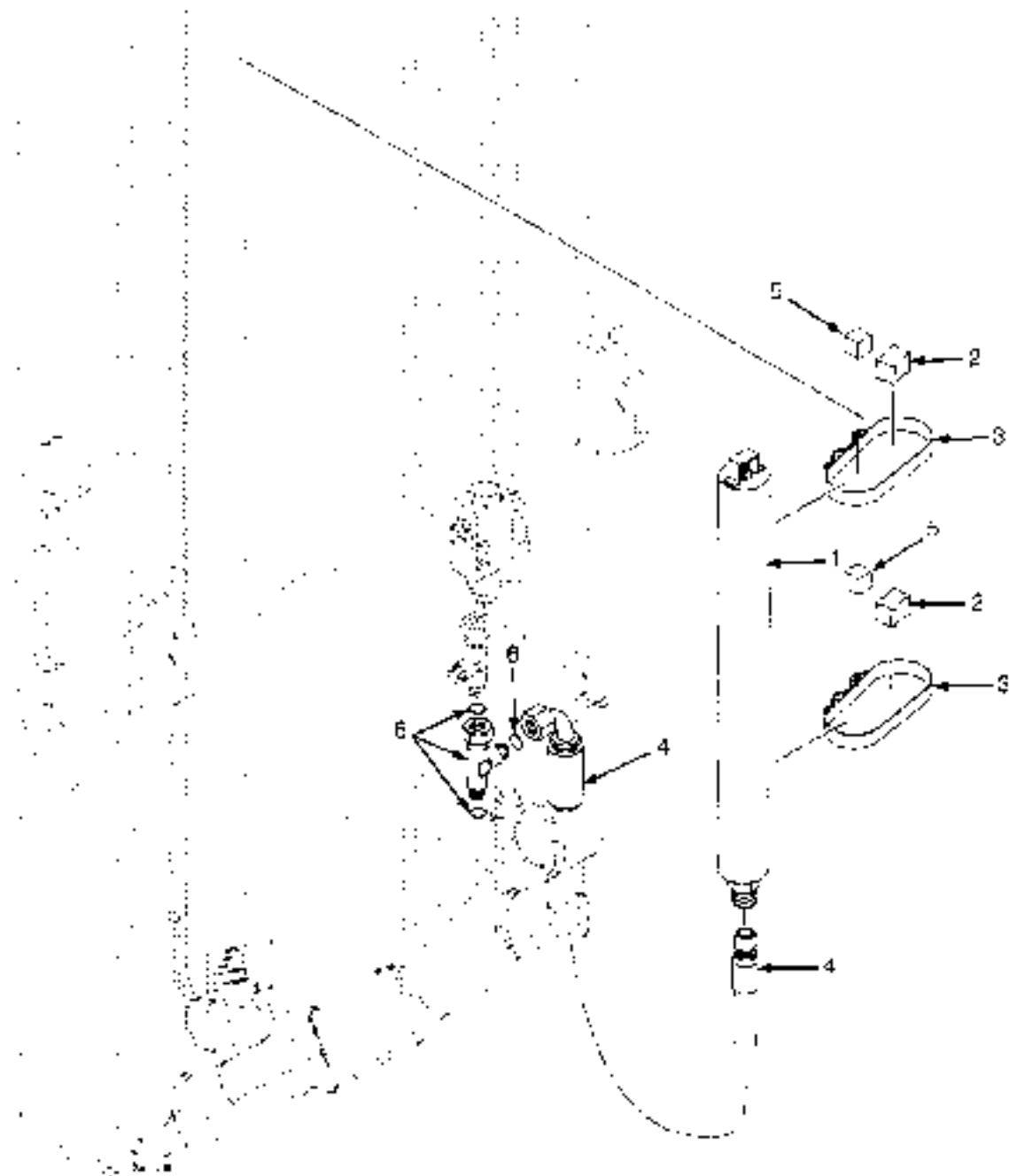
FIRE EXTINGUISHER (Figure 13-6)



WPD0757

ITEM	PART NO.	DESCRIPTION	QTY
1	146540	Fire Extinguisher Assembly	1
1		Fire Extinguisher	1
1	1561749	Bracket	1
2	1582141	Bracket	1
3	296607	Screw	2
4	292679	Lockwasher	2
5	320*55	Washer	2
6	1583611	Capscrew	1
7	1602543	Nut (Flange)	1

ACCUMULATOR AND ATTACHING PARTS (Figure 13-7)

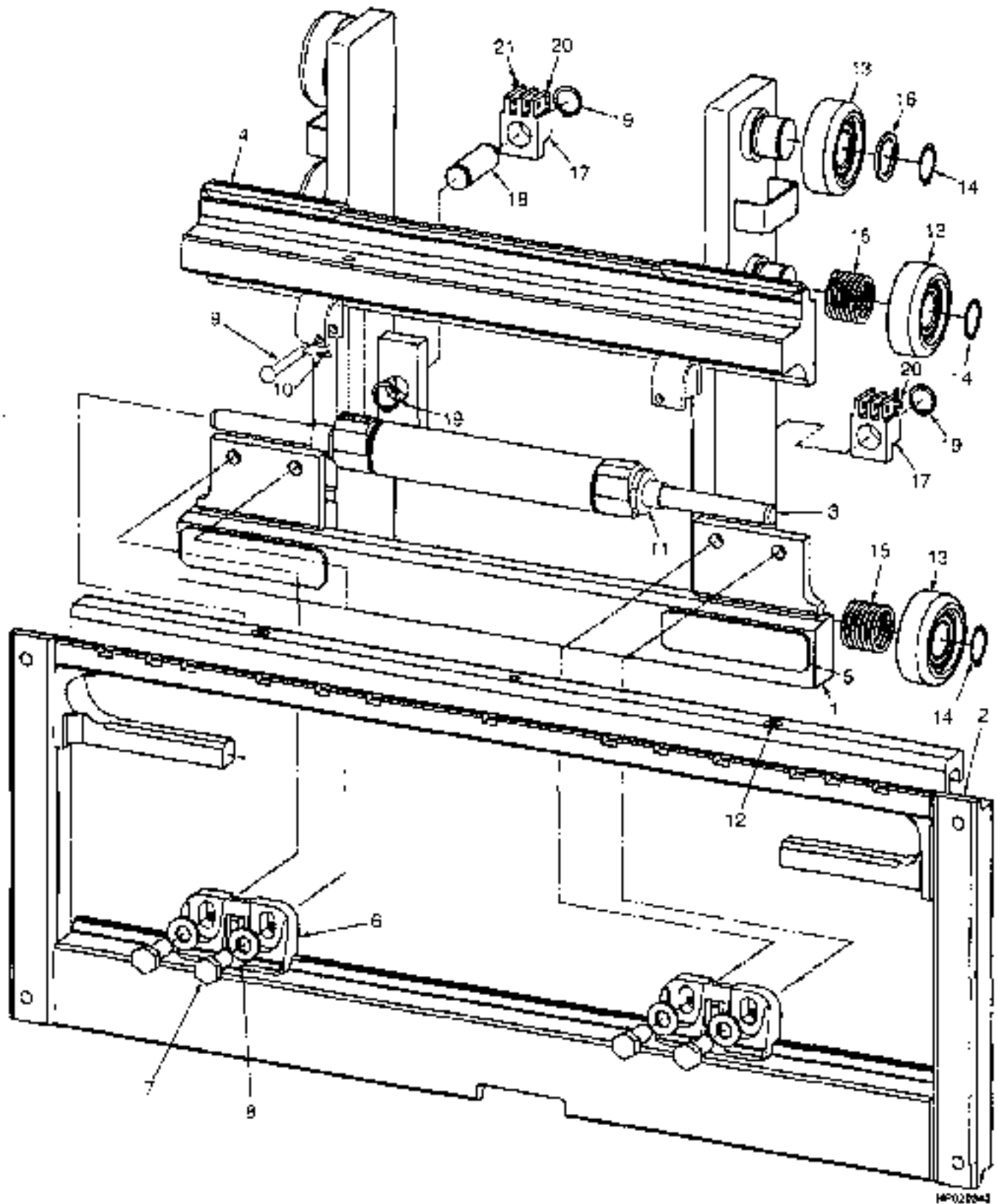


1PC00008

ACCUMULATOR AND ATTACHING PARTS

ITEM	PART NO.	DESCRIPTION	QTY
1	1465897	Accumulator	1
2	1466337	Spacer	2
3	1466472	Clamp	2
4	2073766	Hose	1
5	1582570	Spacer	4
6	1487096	Fitting	1
6	252729	O-Ring	3

INTEGRAL SIDE-SHIFT ASSEMBLY (Figure 13-8) TWO STAGE LIMITED FREE-LIFT



14P022042

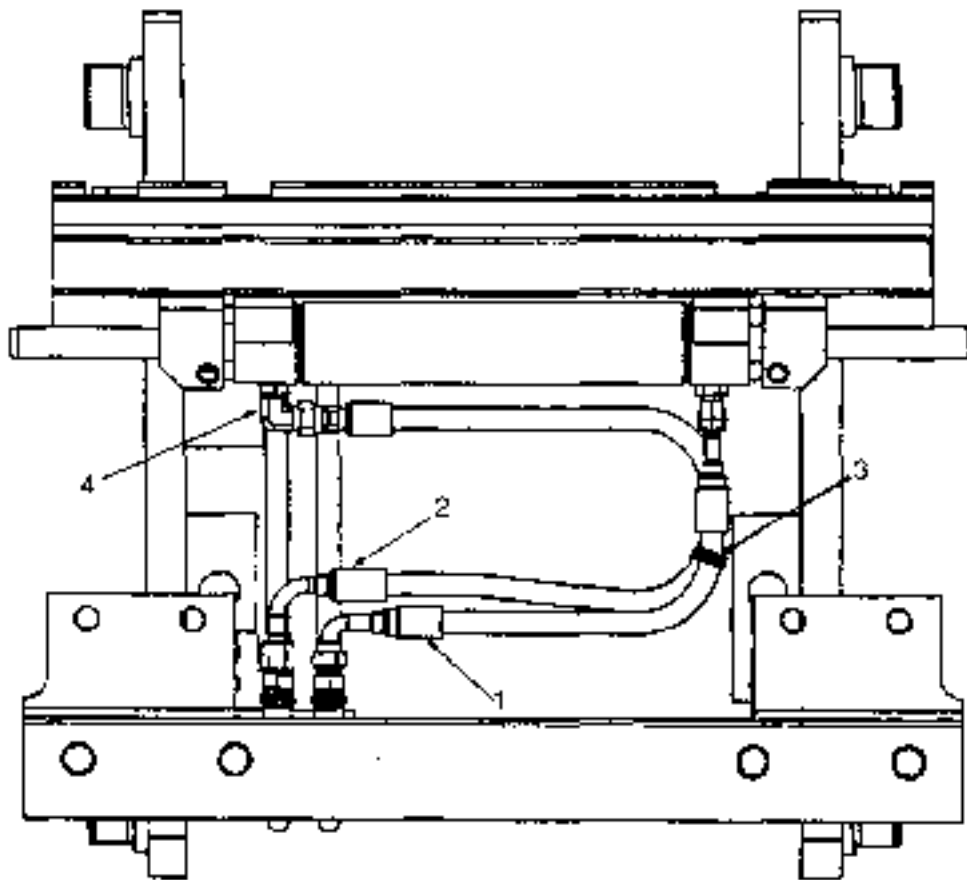
**INTEGRAL SIDE-SHIFT ASSEMBLY
TWO STAGE LIMITED FREE-LIFT****KEY:****A:** H2.D-2.5FT D507**B:** H3.D-3.5FT D562

ITEM	PART NO.	DESCRIPTION	QTY	
			A	B
	1486182	Side-Shift Carriage Assembly (1067 mm)	1	1
	1486185	Side-Shift Carriage Assembly (1219 mm)	1	1
	1487981	Side-Shift Carriage Assembly (1067 mm)		1
	1487982	Side-Shift Carriage Assembly (1219 mm)		1
*	1489002	Frame (Inner).....	1	1
*	1477849	Frame (Inner).....		1
2	1489011	Frame (1067 mm) (Outer)	1	1
2	1489012	Frame (1219 mm) (Outer)	1	1
2	1488975	Frame (1067 mm) (Outer)		1
2	1488976	Frame (1219 mm) (Outer)		1
3	2043528	Cylinder Assembly (See Figure *3-3)	1	1
3	2043529	Cylinder Assembly (See Figure *3-3)		1
4	2043531	Bearing (Upper).....	2	2
4	2043532	Bearing (Upper).....		2
5	2043533	Bearing (Lower).....	2	2
5	2043534	Bearing (Lower).....		2
6	2043530	Hook (Lower).....	2	2
7	226458	Capscrew	4	4
8	296426	Washer (Hardenec)	4	4
9	1401746	Pin	2	2
10	18832	Cotter Pin	2	2
11	1498326	Shim	3	3
12	18041	Lube Fitting.....	2	2
13	1345219	Load Roller	6	6
14	12891	Snap Ring	6	6
15	1345283	Shim (0.508 mm)	26	28
16	356118	Spacer	2	2
17	1369344	Chain Anchor (Dual Hole)		2
17	1504012	Chain Anchor (Single Hole) (Optional).....		2
17	1369345	Chain Anchor (Dual Hole)	2	2
17	1504010	Chain Anchor (Single Hole) (Optional)	2	2
18	1353408	Pin	2	2
18	317735	Pin (48 in.)	2	2
19	131258	Snap Ring.....	4	4
20	1514868	Pin	2	2
21	15211	Cotter Pin	2	2
	a 386422	Snap Ring.....	6	6

FOOTNOTES:

a Not Illustrated

INTEGRAL SIDE-SHIFT HYDRAULIC HOSES (Figure 13-9) TWO STAGE LIMITED FREE-LIFT



RM20004

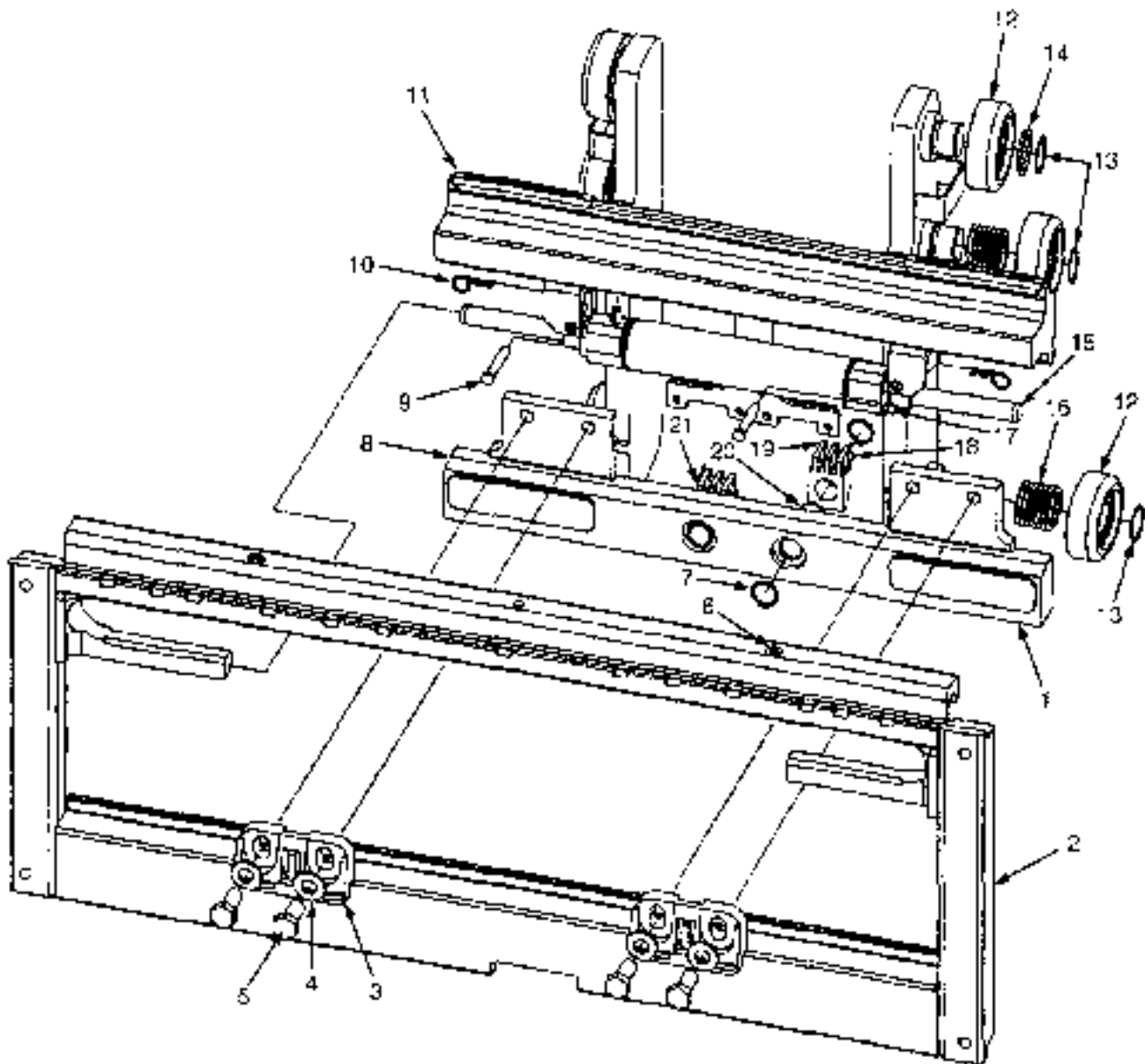
KEY:

A: H2.0-2.5FT

B: H3 0-3.5FT

ITEM	PART NO.	DESCRIPTION	QTY	
			A	B
1	2067822	Hose	1	.
1	2065672	Hose		1
2	2065670	Hose	1	..
2	2065671	Hose	1
3	114312	Strap Clamp	1	1
4	1487063	Fitting	2	2
4	1527813	O-Ring	1	1
4	255787	O-Ring	1	1

INTEGRAL SIDE-SHIFT ASSEMBLY (Figure 13-10) TWO STAGE FULL FREE-LIFT



HP028244

**INTEGRAL SIDE-SHIFT ASSEMBLY
TWO STAGE FULL FREE-LIFT****KEY:**

A: H2 0-2.5FT D509

B: H3.0-3.5FT D564

ITEM	PART NO.	DESCRIPTION	QTY	
			A	B
	1486183	Side-Shift Carriage (1067 mm)	1	..
	1486186	Side-Shift Carriage (1219 mm)	1	..
	1477944	Side-Shift Carriage (1067 mm)	1
	1477946	Side-Shift Carriage (1219 mm)	1
1	1488003	Frame (1067 mm, 1219 mm) (Inner)	1	..
1	1477938	Frame (1067 mm, 1219 mm) (Inner)	1
2	1488011	Frame (1067 mm) (Outer)	1	..
2	1488012	Frame (1219 mm) (Outer)
2	1488975	Frame (1067 mm) (Outer)	1
2	1488976	Frame (1219 mm) (Outer)	1
3	2043530	Hook (Lower)	2	2
4	296426	Washer (Hardened)	4	4
5	226458	Cap screw	4	2
6	16041	Lube Fitting	2	2
7	131358	Snap Ring	4	4
8	2043523	Bearing (Lower)	2	..
8	2043524	Bearing (Lower)	2
9	1401746	Pin	2	2
10	18832	Cotter Pin	2	2
11	2043521	Bearing (Upper)	2	..
11	2043522	Bearing (Upper)	2
*2	1345219	Load Roller	6	6
*3	12891	Snap Ring	6	6
*4	366116	Spacer	2	2
*5	2043528	Cylinder Assembly (2 ¹ Figure 13-13)	1	..
*5	2043529	Cylinder Assembly (2 ² Figure 13-13)	1
*6	1345263	Shim (0.508 mm)	28	28
17	1498326	Shim	3	3
18	1514886	Pin	2	2
19	1369345	Chain Anchor (Dual Hole)	2	..
19	1504010	Chain Anchor (Single Hole) (Optional)	2	..
*9	1369344	Chain Anchor (Dual Hole)	2
*9	1504012	Chain Anchor (Single Hole) (Optional)	2
20	317735	Pin	2	2
21	15211	Cotter Pin	2	2
	a 386422	Snap Ring	6	6

FOOTNOTES:

a Not Illustrated

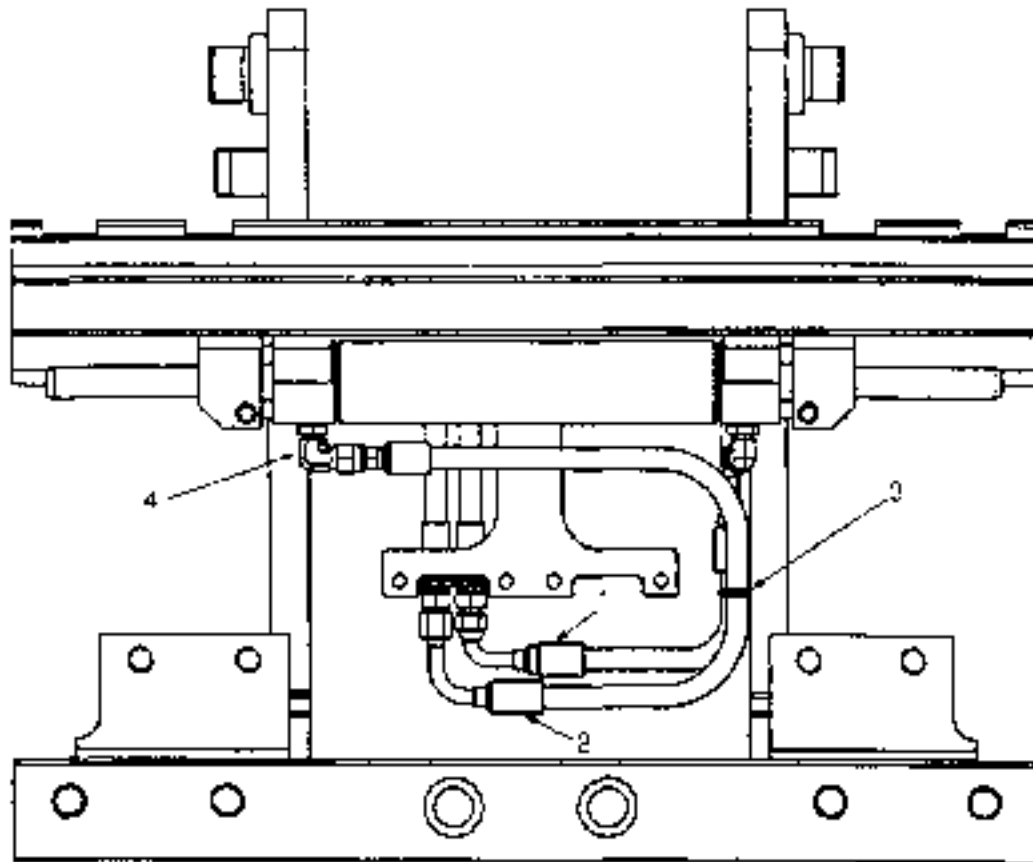
**INTEGRAL SIDE-SHIFT ASSEMBLY
THREE STAGE FULL FREE-LIFT****KEY:****A: H2.0-2.5FT D508****B: H3.0-3.5FT D563**

ITEM	PART NO.	DESCRIPTION	QTY	
			A	B
	1486184	Side-Shift Carriage (1067 mm).....	1	..
	1486187	Side-Shift Carriage (1219 mm).....	1	..
	1477945	Side-Shift Carriage (1067 mm).....		1
	1477947	Side-Shift Carriage (1219 mm).....		1
1	1489004	Frame (1067 mm, 1219 mm) (Inner).....	1	..
1	1477939	Frame (1067 mm, 1219 mm) (Inner).....		1
2	1489011	Frame (1067 mm) (Outer).....	1	..
2	1489012	Frame (1219 mm) (Outer).....	1	..
2	1488975	Frame (1067 mm) (Outer).....	..	1
2	1488976	Frame (1219 mm) (Outer).....		1
3	2043530	Hook (Lower).....	2	2
4	296426	Washer (Hardened).....	4	4
5	226458	Capscrew.....	4	2
6	18041	Lube Fitting.....	2	2
7	131358	Snap Ring.....	4	4
8	2043533	Bearing (Lower).....	2	..
8	2043534	Bearing (Lower).....		2
9	1401746	Pin.....	2	2
10	18832	Cotter Pin.....	2	2
11	2043531	Bearing (Upper).....	2	..
11	2043532	Bearing (Upper).....	..	2
12	1333399	Load Roller.....	6	6
13	58901	Snap Ring.....	6	6
14	386115	Spacer.....	2	2
15	2043528	Cylinder Assembly (C ² Figure 13-13).....	1	..
15	2043529	Cylinder Assembly (C ³ Figure 13-13).....	..	1
16	129387	Shim (0,508 mm).....	28	28
17	1498326	Shim.....	3	3
18	1514866	Pin.....	2	2
19	1368345	Chain Anchor (Dual Hole).....	2	..
19	1504010	Chain Anchor (Single Hole) (Optional).....	2	..
19	1368344	Chain Anchor (Dual Hole).....		2
19	1504012	Chain Anchor (Single Hole) (Optional).....		2
20	317735	Pin.....	2	2
21	15211	Cotter Pin.....	2	2
22	a 1374737	Snap Ring.....	6	6

FOOTNOTES:

a Not Illustrated

INTEGRAL SIDE-SHIFT HYDRAULIC HOSES (Figure 13-12) TWO AND THREE STAGE FULL FREE-LIFT



37000003

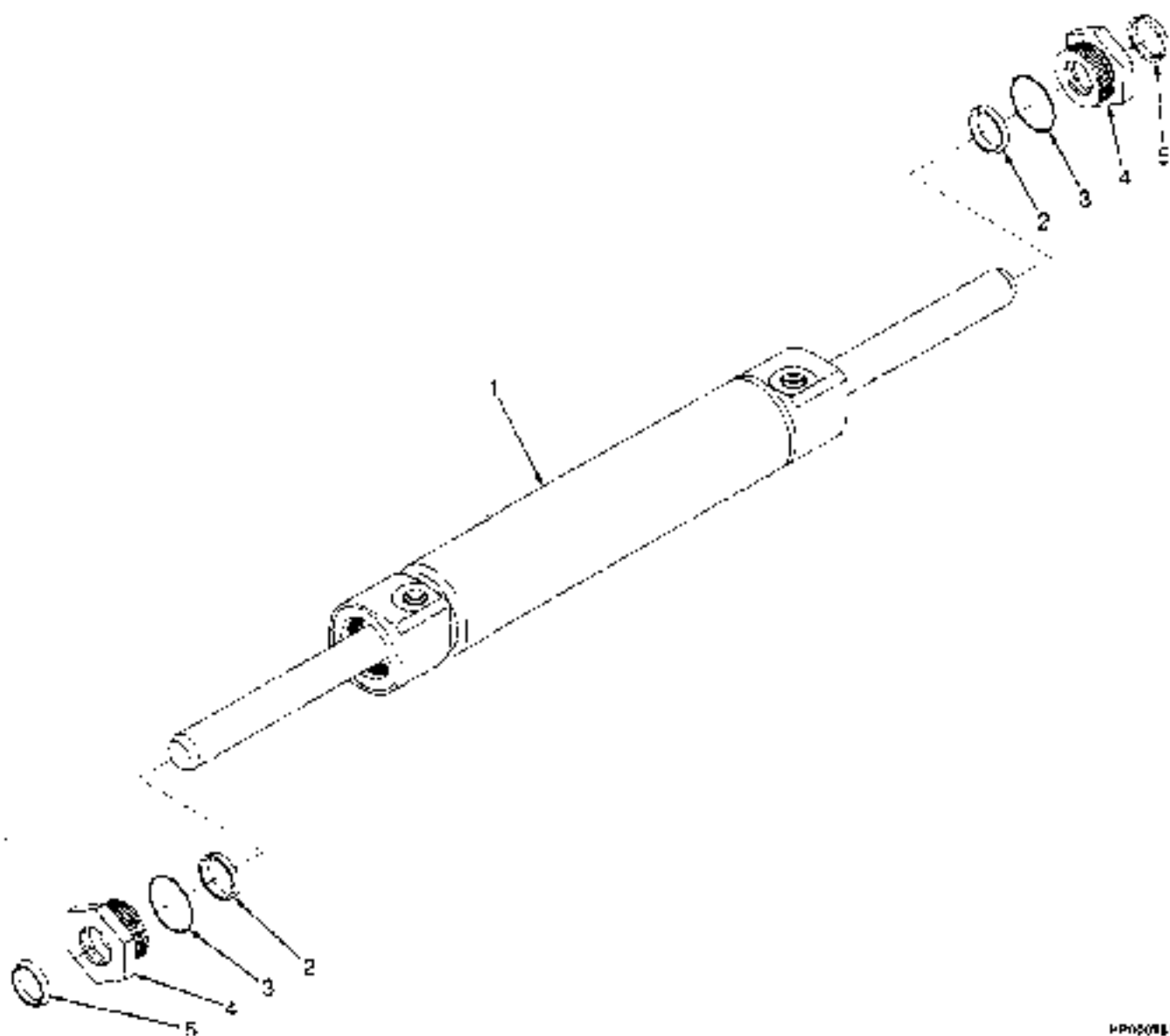
KEY:

A: H2.0-2.5FT

B: H3.0-3.5FT

ITEM	PART NO.	DESCRIPTION	QTY	
			A	B
1	2065675	Hose	1	
1	2065674	Hose		1
2	2065671	Hose	1	
2	2065670	Hose		1
3	114312	Strap Clamp	1	1
4	1487063	Fitting	2	2
4	1527613	O-Ring	1	1
4	265767	O-Ring	1	1

INTEGRAL SIDE-SHIFT CYLINDER (Figure 13-13)



4P05081

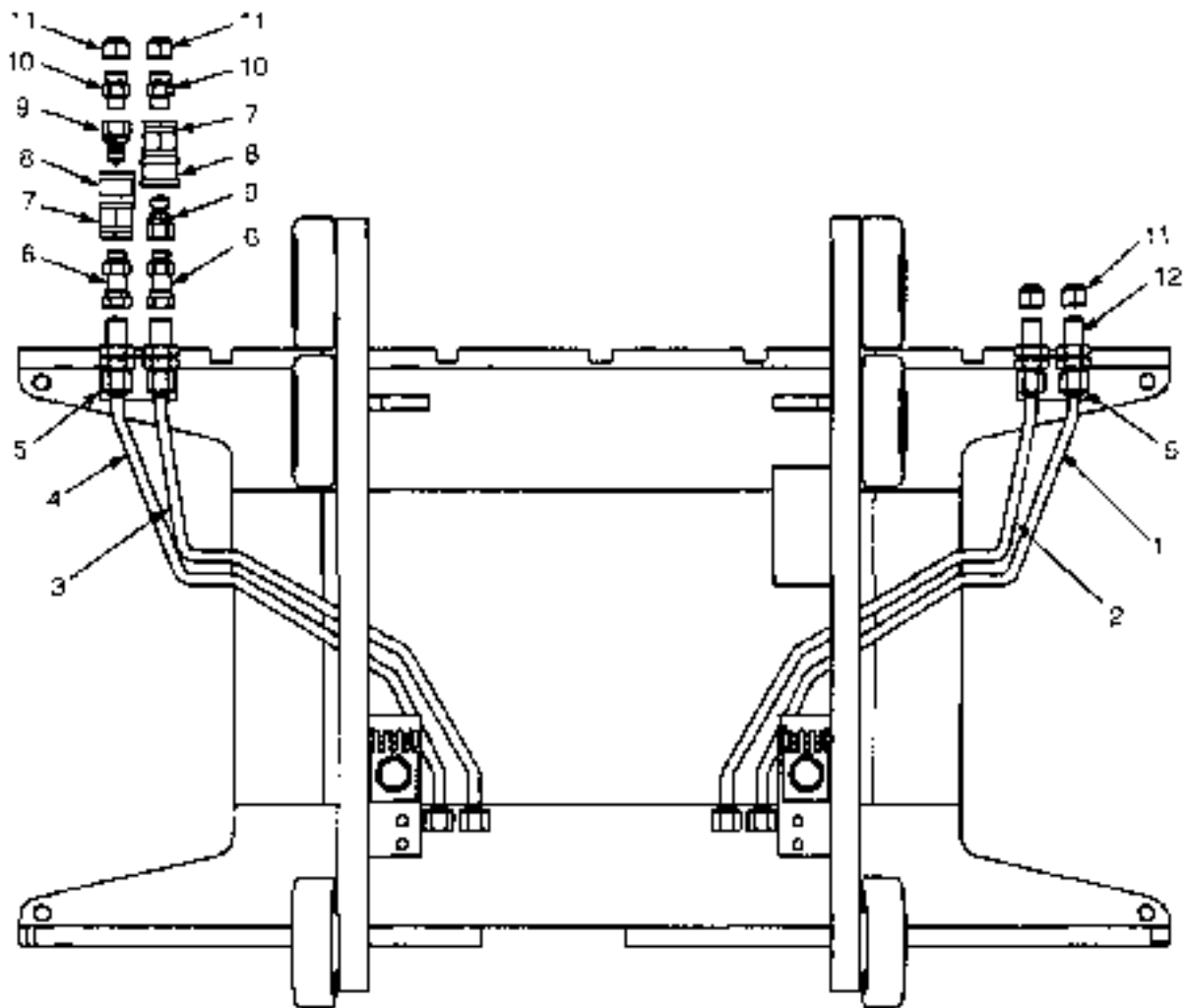
INTEGRAL SIDE-SHIFT CYLINDER

ITEM	PART NO.	DESCRIPTION	QTY
	2043528	Cylinder Assembly (1-2.0-2.5FT)	1
	2043529	Cylinder Assembly (1-3.0-3.5FT)	1
1	1489018	Cylinder Shell	1
2	1489037	Rod Seal.....	2
3	1489035	O-Ring	2
4	1488325	Retainer.....	2
5	1489039	Rod Wiper	2
6	a 302487	Pin	1
	1503096	Seal Kit (Includes Items 2-3, 5)	1

FOOTNOTES:

- a Not Illustrated

AUXILIARY TUBE EXTENSIONS (Figure 13-14) TWO STAGE LIMITED FREE-LIFT



HP220346

**AUXILIARY TUBE EXTENSIONS
TWO STAGE LIMITED FREE-LIFT****KEY:**

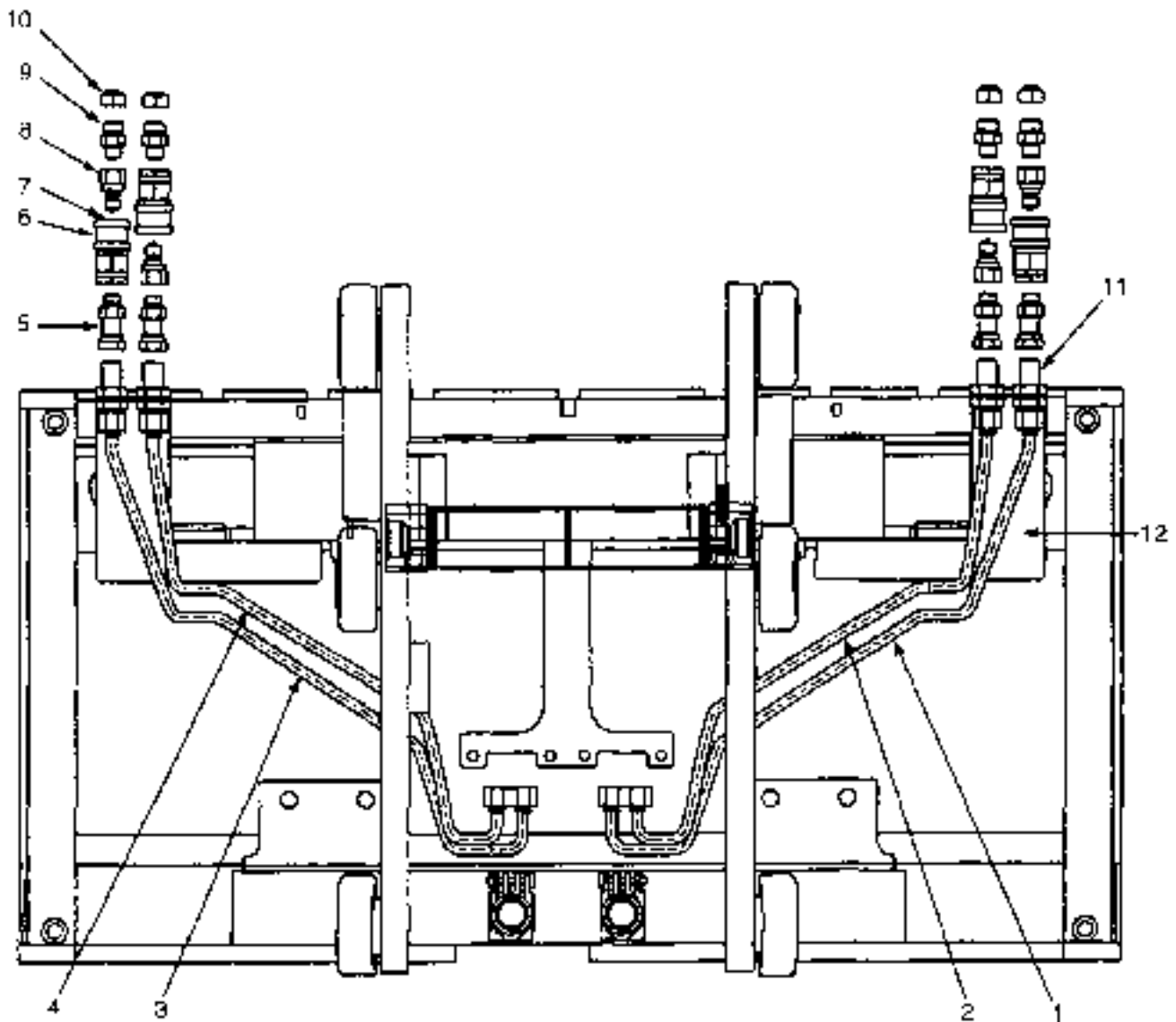
- A:** D507, Standard Carriage
B: D507, Integral Side-Shift Carriage
C: D562, Standard Carriage
D: D562, Integral Side-Shift Carriage

ITEM	PART NO.	DESCRIPTION	QTY			
			A	B	C	D
1	2079327	Tube	1			..
1	2079331	Tube			1	..
2	2079329	Tube	1			..
2	2079332	Tube			1	..
3	2079329	Tube	1	1		..
3	2079333	Tube			1	1
4	2079330	Tube	1	1		..
4	2079334	Tube			1	1
5	1549718	Bracket
5	1549724	Bracket
5	1550070	Bracket	1		1	..
6	a 1549715	Fitting	2	2	2	2
6	a 265787	O-Ring	2	2	2	2
6	a 1527813	O-Ring	2	2	2	2
7	a 1483663	Quick Disconnect Socket	2	2	2	2
8	a 1483661	Dust Cap	2	2	2	2
9	a 1483664	Quick Disconnect Nipple	2	2	2	2
10	a 1486740	Fitting	2	2	2	2
10	a 1527813	O-Ring	2	2	2	2
10	a 265787	O-Ring	2	2	2	2
11	1529015	Cap	2	2	2	2
12	1528573	Fitting	2	2	2	2
12	265787	O-Ring	4	4	4	4

FOOTNOTES:

- a Used With Quick Disconnect Only

AUXILIARY TUBE EXTENSIONS (Figure 13-15) TWO AND THREE STAGE FULL FREE-LIFT



HP948047

**AUXILIARY TUBE EXTENSIONS
TWO AND THREE STAGE FULL FREE-LIFT****KEY:****A:** D564, Standard Carriage**B:** D564, Integral Side-Shift Carriage**C:** D509, Standard Carriage**D:** D509, Integral Side-Shift Carriage

ITEM	PART NO.	DESCRIPTION	QTY			
			A	B	C	D
-	2074408	Tube	1	..
-	2074412	Tube	1
2	2074409	Tube	1	..
2	2074413	Tube	1
3	2074410	Tube	1
3	2074414	Tube	1
4	2074411	Tube	1
4	2074415	Tube	1
5	a 1549715	Fitting	2	2	2	2
5	a 1527813	O-Ring	2	2	2	2
5	a 285787	O-Ring	2	2	2	2
6	a 1483663	Quick Disconnect Socket	2	2	2	2
7	a 1483661	Dust Cap	2	2	2	2
8	a 1483664	Quick Disconnect Nipple	2	2	2	2
9	a 1486740	Fitting	2	2	2	2
9	a 1527813	O-Ring	2	2	2	2
9	a 285787	O-Ring	2	2	2	2
10	1529015	Cap	2	2	2	2
11	1528573	Fitting	2	2	2	2
11	285787	O-Ring	4	4	4	4
12	1550670	Bracket	1	..	1	..
12	1549724	Bracket
12	1549718	Bracket	1

FOOTNOTES:**a** Used With Quick Disconnect Only

**SECTION 14
NUMERICAL INDEX**

PART NO.	PG	ITEM	PART NO.	PG	ITEM	PART NO.	PG	ITEM	PART NO.	PG	ITEM
125	3-29	9	16040	9-43	13		11-7	10		5-19	22
	3-31	12		9-45	14		11-11	2		5-21	22
205	8-5	23	16041	9-41	6		11-11	14		5-29	22
	8-8	23		13-17	12		12-9	4		5-31	21
12881	10-15	4		13-21	6		12-9	6		5-33	22
	11-17	3		13-23	6		12-17	12	43206	5-13	19
	13-17	14	16079	4-7	9	16486	5-13	37	43209	5-23	36
	13-21	13		4-11	1		5-23	40		5-27	18
12929	8-5	24		4-11	2		8-15	14	44306	5-23	35
	8-9	24		4-13	29		8-15	17	44307	5-17	19
13857	7-11	31		4-19	30		9-3	19		5-27	21
14348	4-7	33	16134	3-12	45		9-9	14	44308	5-13	24
14358	3-15	11		3-15	24		11-7	7	44309	5-23	30
14372	3-15	10	16143	3-11	30		12-9	12	44310	5-13	33
14385	2-9	27	16151	3-15	9	16682	5-13	30		5-27	3
	2-11	15		3-23	6		5-27	10	44542	7-11	18
	2-13	26		6-5	14	16706	9-21	6	46388	9-43	7
	2-15	26	16168	3-11	18		9-23	3	56434	9-41	11
	2-53	26	16199	3-11	17	16706	3-39	14	58901	10-3	8
	2-57	25	16480	9-28	13	16785	3-11	9		10-5	3
	2-69	25	16481	5-35	3	16863	3-11	43		11-3	8
14591	9-8	3		8-15	7	16982	10-7	12		11-5	3
14803	11-7	7		8-6	3		11-7	8		12-3	8
15055	9-24	2		9-9	3		12-17	12		12-5	8
	9-37	6		9-9	7	16983	5-17	13		12-7	3
15135	5-13	11	16483	5-17	31		5-27	17		12-29	3
	5-23	11		5-27	34	16984	9-3	14		13-23	13
15158	5-13	10		8-15	20	17650	3-23	3	58903	7-11	6
	5-23	12	16484	5-7	3	17758	8-15	14	58916	5-13	23
15211	10-7	19		5-11	10	17775	8-15	17	59229	10-10	10
	10-15	10		5-13	39	18094	9-11	6		11-8	9
	11-11	25		5-23	7		9-15	6		11-9	7
	11-17	10		7-9	3	18595	5-13	9		12-14	12
	12-10	19		7-9	4		5-23	13	60563	9-41	11
	12-18	20		8-15	5	18932	13-17	10	60836	2-57	2
	12-29	10		8-3	25		13-21	10	61191	2-57	1
	13-17	21		8-9	5		13-23	10	63106	3-11	31
	13-21	21		9-9	27	21420	6-5	15	68988	2-17	6
	13-23	21	16485	5-7	4	30273	7-11	20		2-55	6
15223	12-10	25		5-9	3	34507	3-19	2		2-71	6
15225	7-11	11		5-11	4		3-21	19	69029	7-11	24
15227	7-11	25		5-11	7	37752	10-5	8	77441	9-23	6
15241	6-5	29		5-13	5		11-11	22		9-31	2
15328	2-51	5		5-23	5		12-5	12		9-33	2
15483	2-57	5		5-23	16		12-18	21	77442	9-21	3
15880	11-13	12		5-35	9	39348	10-10	4		9-23	7
	12-21	12		8-15	2		11-19	6		9-31	4
15931	3-39	11		8-3	10		12-14	4		9-33	4
15971	3-11	42		10-7	4		12-21	6		9-35	3
16001	10-3	10		10-7	6	39352	7-11	36	77443	9-21	5
	11-3	10		11-7	2	38374	9-43	3		9-23	8
	12-9	10		11-7	4	43207	5-17	17		9-31	5

NUMERICAL INDEX (Continued)

PART NO.	PG	ITEM	PART NO.	PG	ITEM	PART NO.	PG	ITEM	PART NO.	PG	ITEM
	9-33	5		3-15	18		12-21	13		3-21	18
	9-35	4	131358	10-7	1	148611	4-49	5	182343	12-10	18
86229	5-13	18		10-15	5	148614	2-45	5	184451	3-19	4
	5-23	10		11-7	18		2-47	11		3-21	21
87446	3-23	4		11-11	3	148615	2-45	6	186304	4-19	7
80263	11-13	12		11-17	8		2-47	11	187358	10-10	2
	12-21	12		12-9	1		4-13	24		11-13	4
82861	10-10	10		12-18	40	148789	4-7	4		12-14	2
	12-14	12		12-28	8		4-11	2		12-21	4
97999	3-12	47		13-17	19		4-13	30	188210	5-17	13
	3-15	25		13-21	7	148792	4-7	9		5-27	17
98525	7-11	14		13-23	7		4-11	1	188515	9-21	7
98644	4-30	3	131715	11-3	4		4-13	28		9-23	4
101808	3-19	28		12-3	4	154355	11-11	13	190382	4-49	1
	3-21	15		12-5	4		12-17	11		4-49	4
104506	10-3	3	131716	10-3	4	154375	9-43	8	190383	4-3	28
	11-3	3		11-3	4	156194	7-11	15		4-49	9
	12-3	3		12-3	4	156195	7-11	18		4-49	11
	12-5	3		12-5	4	160653	6-7	3		4-55	4
112989	3-5	7	133883	8-13	9		6-2	3		4-57	4
	3-7	10	134675	9-41	8		6-11	7	190580	11-13	6
	3-9	8	135156	6-6	62	161003	10-7	23		12-21	6
114312	13-18	3	135586	12-10	18		11-11	27	190887	11-8	3
	13-24	3	138681	1-29	5		12-10	23		11-9	3
115696	3-5	3		5-17	29		12-17	16		11-13	3
	3-7	20		5-27	32	161028	12-18	26		12-21	3
	3-9	3		5-35	17	161864	7-15	5	192877	9-41	10
118257	2-57	3	136887	1-29	11	161865	7-15	3	196298	3-19	14
124603	5-19	17		4-13	28	161869	6-7	5		3-21	7
	5-21	17		6-3	15		6-8	5	197067	9-11	4
	5-29	18		6-5	8		8-11	5		9-15	4
	5-31	18	136985	2-79	6	161590	6-7	3	197345	12-18	26
	5-33	18		6-17	8		6-8	3	199852	9-45	3
125305	13-11	4		5-27	6		6-11	3	203071	7-13	8
125347	2-57	5	137852	11-15	12	161894	7-17	5	204128	9-24	3
127918	9-3	27	138710	13-11	3	163970	7-11	19		9-29	2
128263	3-31	14	141259	4-7	30	164488	5-17	28		9-37	2
128408	4-7	4	141331	3-2	1		5-27	31	209457	9-6	3
	4-11	2	141776	3-1	33	164639	7-13	17	210183	7-13	7
	4-13	30	142247	9-41	8	164640	11-13	13	211882	8-7	22
128387	10-3	7	145481	5-17	2		12-22	13		8-9	30
	10-5	4		5-27	4	168718	3-23	9	212786	4-11	3
	11-3	7	146540	13-12	1	169690	5-17	26	213099	5-23	31
	11-5	4	147288	3-19	14		5-27	29	215211	10-3	5
	12-3	7		3-21	7	170658	1-41	1		11-3	5
	12-5	7	147294	3-19	15	175861	9-11	8		12-3	5
	12-7	4		3-21	8		9-15	8		12-5	5
	12-29	4	147972	11-8	10	178119	11-11	17	221771	1-51	4
	13-23	18		11-9	8	180057	12-18	26	222443	8-15	21
129888	4-45	28	147973	7-13	3	180137	12-18	26	222444	5-13	37
130825	7-13	2		9-45	9	180177	11-11	21		5-23	40
130845	3-15	18		11-13	13	182118	3-19	34	222510	9-3	24

NUMERICAL INDEX (Continued)

PART NO.	PG	ITEM	PART NO.	PG	ITEM	PART NO.	PG	ITEM	PART NO.	PG	ITEM
222512	9-15	2		12-9	6	292526	5-17	35		1-9	2
223389	10-7	18		12-9	11		5-27	37	296022	5-17	23
226430	5-3	3		12-9	13	292531	5-3	7		5-27	25
	6-6	35		13-14	6	292539	2-56	9	296032	1-3	31
226458	13-17	7	254007	4-3	29	292608	1-15	2	296130	13-3	10
	13-21	5	257913	10-10	5	292613	1-15	2	296150	4-7	24
	13-23	5		11-13	7	292667	4-21	6	296152	3-15	8
226986	7-11	35		12-14	5	292676	4-13	15	296158	3-35	14
230882	9-11	3		12-21	7	292678	4-21	5	296229	1-21	6
	9-15	3	260876	3-11	11	292679	13-12	4		1-23	13
233693	5-13	5		3-23	13	292680	5-13	16	296378	3-35	11
	5-23	5	262798	4-3	30		5-17	15		3-37	12
	5-35	9	264973	7-11	32		5-23	21		8-13	5
234038	8-5	33	265731	8-15	3		5-27	14	296379	4-13	18
235691	5-13	39	265787	7-9	3		6-3	16	296380	4-7	13
	5-23	7		7-9	4		6-5	16		4-11	7
237812	9-45	6		7-9	5		6-15	9		4-13	31
239503	1-23	5		8-15	5	292681	2-79	3	296418	2-6	4
	8-3	24		8-15	22		4-29	3		2-37	4
	8-5	31		8-15	27		5-17	22	296420	2-5	10
	8-7	24		9-9	5		5-27	24		2-79	13
	8-9	31		9-9	11		5-35	16		5-4	2
240072	2-23	18		9-9	22		6-5	3	296422	2-23	7
244167	11-11	2		9-9	27	292682	2-23	4		6-6	36
	11-11	14		13-18	4		2-58	13	296423	1-51	3
	12-9	12		13-24	4		2-79	5	296424	2-23	13
	12-18	33		13-29	6		5-13	27		2-79	15
244540	8-5	29		13-29	10		5-23	25	296426	6-5	27
	8-9	29		13-29	12	292683	2-17	20		6-5	31
246001	2-56	12		13-31	5		2-55	24		13-17	8
246108	2-51	6		13-31	9		2-56	8		13-21	4
246994	10-7	18		13-31	11		5-3	6		13-23	4
249269	7-11	12	266519	9-31	3		5-17	35	296434	6-3	2
252729	5-7	3	268619	5-45	8		5-27	38	296461	3-7	12
	5-7	4	260154	12-9	11	292685	5-3	4	296507	13-12	3
	5-8	3		12-18	33	292689	1-15	4	297531	10-10	3
	5-11	4	267851	2-79	4	293618	6-3	7		11-13	5
	5-11	7		4-29	2	253619	2-5	3		12-14	3
	5-11	10		6-5	2		2-37	1		12-21	5
	9-3	10	292500	5-13	17	293626	2-79	14	297649	10-7	22
	9-3	19		5-17	14	293630	2-5	9		11-11	26
	9-9	14		5-23	20	293646	6-8	52		12-10	22
	10-7	4		5-27	15	293648	7-11	37		12-17	17
	10-7	6	292508	6-5	7	293686	6-5	30	300751	7-11	9
	10-7	12	292509	5-13	2		7-11	5	300752	7-11	7
	10-7	13		5-23	1	293692	6-5	26	300785	7-11	34
	11-7	2	292516	5-13	28	293697	5-3	5	300786	7-11	13
	11-7	4		5-23	28	293698	2-5	7	300787	7-11	33
	11-7	6	292517	2-23	5	293742	5-35	5	300937	1-51	5
	11-7	9		2-56	11	293779	3-35	13		7-11	39
	11-7	10		2-79	7	293796	9-9	26	300982	9-43	14
	12-9	4	292521	2-43	15	295649	11-8	2		9-45	18

NUMERICAL INDEX (Continued)

PART NO.	PG	ITEM	PART NO.	PG	ITEM	PART NO.	PG	ITEM	PART NO.	PG	ITEM
	10-3	9		9-15	*2		9-15	14	341462	9-2*	13
	11-3	9	309362	11-13	9	320264	6-6	61	345453	2-9	20
	12-3	9		12-21	9	320269	9-21	*0		2-11	17
302010	1-3	24	309109	9-11	16		9-23	10		2-13	*9
302015	4-13	16		9-13	*1	322624	10-10	8		2-15	*9
302019	1-25	22		9-15	*7	322902	10-10	6		2-53	*8
302023	2-9	7		9-17	*2	323090	10-7	16		2-67	*7
	2-11	6	309551	3-23	5		11-7	13		2-69	17
	2-13	6	309740	2-56	*0		12-10	16	345454	2-9	20
	2-15	6		5-4	3	325162	4-7	17		2-1*	17
	2-53	10	313805	3-35	10	325515	12-16	27		2-13	19
	2-67	9	316448	13-5	8	325699	3-39	13		2-15	19
	2-69	9	316835	1-21	12	325789	4-49	*0		2-53	18
302027	4-13	27		1-23	*8		4-49	12		2-67	*7
302047	1-21	8	317075	7-11	22	325804	9-9	19		2-69	*7
	1-23	1*	317076	7-11	26	326504	2-21	9	345455	2-9	20
	2-60	82	317735	11-17	7		2-25	6		2-11	*7
302323	13-3	9		12-29	7		2-37	41		2-13	*9
302363	3-19	6		13-17	18		2-41	4		2-15	*9
302380	1-3	8		13-21	20	326608	2-37	36		2-53	*8
302385	6-5	19		13-23	20	326612	2-31	10		2-67	*7
	6-6	43	320*52	1-3	23	326748	2-27	5		2-69	*7
302398	4-30	1		4-13	14	326749	2-27	6	353000	3-23	7
	8-3	1	320154	2-9	6	326898	4-5	22	353199	3-7	8
	8-5	1		2-11	5	329089	1-3	6	353206	1-7	22
	8-7	1		2-13	5		1-3	36	356505	11-11	12
	8-9	1		2-15	5		2-47	12		12-17	10
302400	3-29	7		2-53	9		3-37	6	362038	3-38	10
	3-31	*0		2-67	8	333642	2-27	15	366000	3-11	25
302429	9-11	9		2-69	8	334156	10-10	7		3-15	19
	9-15	9		4-13	25		12-14	8	366115	12-29	5
302437	3-37	8		4-21	4	334560	5-13	29		13-23	14
302443	3-37	8	320*55	13-12	5		5-23	29	366116	10-15	3
302450	1-49	2	320*56	1-21	9	335012	10-10	8		11-17	5
302481	11-11	24		1-23	12		12-14	9		13-17	16
	11-15	24		1-29	8	335041	12-10	18		13-21	14
	12-18	23		3-29	16	336393	10-7	18	366473	3-15	6
	12-26	30		3-31	21	336550	2-9	20	367224	4-7	28
302482	10-5	9	320157	5-7	21		2-11	17		4-15	5
	*2-5	9		2-50	5		2-13	19	369804	9-3	17
302487	*3-27	6		5-13	3		2-15	19	369815	2-9	22
302491	*4-5	6		5-23	2		2-53	18		2-11	19
303*00	5-13	34	320*58	1-23	8		2-67	17		2-13	21
	5-23	37		1-27	*6		2-88	17		2-15	21
303*50	2-23	*2		1-29	4	337174	12-10	18		2-53	20
	2-56	4	320*59	2-17	5	339735	2-9	20		2-67	19
	2-79	8		2-55	5		2-11	17		2-69	19
	5-13	38		2-71	5		2-13	19		3-1*	15
	5-23	41	320*61	5-17	34		2-15	19	374923	3-2	2
304526	*1-1*	23		5-27	39		2-53	18	375634	7-13	1
	*2-18	22		7-11	38		2-67	17	375635	7-13	4
308113	9-11	12		9-11	13		2-89	17	375636	7-13	1

NUMERICAL INDEX (Continued)

PART NO.	PG	ITEM	PART NO.	PG	ITEM	PART NO.	PG	ITEM	PART NO.	PG	ITEM
375641	7-13	1		4-63	7		4-63	8	1330356	4-33	9
381298	7-11	10		4-63	9	1329150	4-34	*4		4-37	6
386015	9-21	14		4-63	11		4-34	26		4-41	9
386422	10-15	1*	1323578	4-47	4		4-38	*3		4-59	4
	11-17	1*		4-48	17		4-38	25		4-59	7
	13-17	22	1323579	4-33	10		4-42	14	1330414	1-17	*6
	13-21	22		4-53	11		4-42	26		4-3	25
389688	1-41	1*		4-34	15		4-45	2*		4-34	30
636941	11-13	8		4-34	16	1329151	4-34	13		4-36	30
	12-21	8		4-37	9		4-34	*4		4-42	30
637565	11-13	10		4-37	*0		4-34	26	1330415	4-25	24
	12-21	10		4-38	*4		4-34	27		4-25	25
638246	10-10	8		4-38	15		4-37	17		4-30	5
	12-14	9		4-4*	10		4-38	13	1330416	3-39	4
806426	4-7	4		4-41	11		4-38	25		4-33	5
	4-7	9		4-42	15		4-38	26		4-37	3
	4-11	1		4-42	*8		4-42	*3		4-41	5
	4-11	2	1323586	4-45	29		4-42	14	1330417	13-5	10
	4-13	29		4-47	5		4-42	26	1330419	4-49	19
	4-13	30		4-49	*8		4-42	27	1330424	4-49	19
878256	2-71	11	1324309	4-5*	17	1329152	4-34	13	1330436	4-49	19
930591	4-59	4		4-5*	18		4-34	27	1330437	1-17	17
	4-59	7	1324310	4-5*	17		4-37	12		4-3	26
980542	6-7	5		4-51	18		4-38	26		4-25	24
	6-8	5	1325119	8-41	9		4-42	13		4-25	25
	6-11	8	1325120	8-41	9		4-42	27		4-30	6
1300094	1-39	9	1327164	4-33	*0	132927*	2-9	8		4-33	5
1301286	13-7	1		4-33	*1		2-11	7		4-35	30
	13-9	1		4-34	14		2-57	10		4-37	3
*302024	4-25	14		4-34	15	1329650	13-3	4		4-38	30
	4-27	14		4-34	16	1329651	13-3	5		4-41	5
*304971	1-3	11		4-34	26	*330281	4-33	10		4-43	30
1307884	2-50	6		4-37	9		4-33	1*		4-49	20
1308259	4-45	30		4-37	*0		4-34	13		4-52	34
1309775	4-25	9		4-36	13		4-34	15		4-61	1
	4-27	9		4-36	15		4-34	27		4-63	1
1310370	10-10	12		4-38	25		4-37	9		13-5	10
310596	7-11	28		4-4	10		4-37	10	1330438	4-33	4
*315426	7-11	30		4-41	11		4-37	12		4-33	6
*319668	10-10	12		4-42	14		4-38	14		4-34	21
	11-8	11		4-42	*6		4-38	26		4-34	25
	11-9	11		4-42	26		4-41	10		4-34	28
	12-14	14		4-47	2		4-41	11		4-35	31
*321149	7-13	5	1327246	6-6	40		4-42	13		4-35	34
*321174	7-11	4	1327957	4-45	26		4-42	15		4-35	35
	7-13			4-47	*		4-42	27		4-37	2
*323576	4-49	3		4-49	18	1330901	2-45	1		4-37	4
	4-49	14		4-51	1*	1330955	4-33	0		4-38	21
	4-49	16		4-61	7		4-37	8		4-38	22
	4-81	10		4-61	11		4-41	9		4-38	28
	4-81	12		4-61	16		4-59	4		4-38	31
	4-81	19		4-63	5		4-59	7		4-39	33

NUMERICAL INDEX (Continued)

PART NO.	PG	ITEM	PART NO.	PG	ITEM	PART NO.	PG	ITEM	PART NO.	PG	ITEM
	4-39	35		4-63	1	1342392	*0-7	18		2-69	16
	4-41	4		13-5	10	1342393	*0-7	18	1347045	1-3	28
	4-41	6	1333043	1-48	1	1342477	*1-5	1		1-15	1*
	4-42	2*	1333044	1-48	1	1343276	*-39	22		2-17	3
	4-42	25	1333045	1-48	1	1343844	*1-17			2-55	3
	4-42	29	1333329	12-*0	24	1343846	*0-15			2-71	3
	4-43	3*	1333382	10-7	2	1343989	*2-18	37	1347166	3-15	6
	4-43	34		11-7	17	1343990	*-51	2	1346246	12-25	11
	4-43	35		12-9	2	1344124	3-35	*6	1346247	12-25	11
	4-51	5	1333392	12-9	*0	1345190	*0-13	18	1350215	1-8	44
	4-51	8	1333396	10-3	6		11-15	29		5-11	14
	4-51	12		10-5	5		12-25	26		13-5	3
	4-51	15		11-5	8	1345199	*1-15	23	1351681	1-19	16
	4-51	21		11-5	5		*2-25	20		4-34	22
	4-51	25		12-3	6	1345204	*1-15	22		4-38	20
	4-51	29		12-5	6		*2-25	*9		4-42	22
	4-52	36		12-7	5	1345216	*0-5	2		4-49	19
	4-55	1	1333399	12-29	2		*0-5	2	1351682	4-51	10
	4-55	8		13-23	12		*1-5	2	1351683	4-34	24
	4-55	9	1334642	8-11	5		12-3	2		4-36	23
	4-57	1	1334644	8-11	14		12-5	2		4-42	24
	4-57	10	1334647	8-11	2		12-7	2	1351689	8-3	29
	4-57	11	1335138	1-41	6		12-29	1		8-5	36
	4-59	1	1337197	4-19	7	1345219	10-*5	2		8-7	29
	4-59	10	1338140	1-48	1		11-*7	2		8-9	36
	4-59	11	1338142	1-48	1		13-*7	13	1352140	2-9	3
	4-61	3	1338144	1-48	1		*3-21	*2		2-11	2
	4-61	5	1338308	2-19	9	1345239	*1-17	1		2-13	2
	4-61	8	1338616	10-15	1	1345283	*0-15	6		2-15	2
	4-61	13	1338642	1-51	1		*1-17	4		2-53	2
	4-63	3		1-51	1		13-17	15		2-67	2
	4-63	6	1338645	1-51	1		13-21	18		2-69	2
	4-63	10	1338741	9-43	5	1345284	10-*5	1	1352603	4-52	35
	13-5	10	1338744	9-43	11		11-5	2	1353408	*0-15	7
1330439	4-34	17	1338916	8-1*	24		11-17	1		*3-17	15
	4-34	18	1338917	8-1*	25	1345348	10-*3	3	1353464	*2-25	16
	4-35	35	1339452	3-1*	21	134540*	12-18	34	1353530	*1-15	*
	4-35	37	1339828	1-39	18	1345412	10-13	5	1354165	*-38	10
	4-35	38	1339832	1-39	18	1345413	10-13	5	1354172	1-39	3
	4-38	16	1340470	3-39	12	1345423	11-15	10	1354901	12-18	37
	4-38	17	1342116	12-*8	26	1345926	1-39	8	1354902	11-11	6
	4-39	38	1342120	12-10	18	1346752	9-1*	23		*2-17	4
	4-39	40	1342121	12-18	26		9-13	14	1354903	*2-17	7
	4-42	17	1342124	12-*0	18		9-15	24	1354906	*2-25	2*
	4-42	18	1342127	12-*0	18		9-17	15	1354907	*2-25	2*
	4-43	35	1342129	12-*0	18		9-27	13	1354913	*0-7	9
	4-43	37	1342132	12-*0	18	1347026	2-9	19	1354915	10-7	2
	4-43	38	1342377	11-*1	21		2-11	16		11-7	16
	4-43	20	1342380	12-18	26		2-13	18		12-9	2
	4-52	34	1342383	10-7	*8		2-15	18	1354916	10-7	2
	4-55	1	1342384	12-18	26		2-53	17		11-7	16
	4-59	1	1342391	12-18	26		2-67	16		12-9	2

NUMERICAL INDEX (Continued)

PART NO.	PG	ITEM	PART NO.	PG	ITEM	PART NO.	PG	ITEM	PART NO.	PG	ITEM
1354917	10-7	2	1356596	12-21	11		2-29	21	1361718	2-29	22
	11-7	16	1356651	11-13	16	1360860	2-29	9		2-31	5
	12-9	2		12-22	16	1360861	2-29	28	1361719	2-29	16
1354918	11-15	15	1356662	11-13	17	1360862	2-29	29		2-31	22
1354919	10-13	11		12-22	17	1360863	2-29	1	1361720	2-31	4
1354921	10-13	11	1356682	12-21	11	1360864	2-29	2	1361721	2-31	9
1354923	1-51	2	1356688	11-13	11	1360865	2-29	11	1361722	2-31	8
1354961	12-25	6	1356691	11-13	11	1360866	2-29	4	1361723	2-31	7
1354962	12-17	8	1356694	12-21	11	1360867	2-29	7	1361724	2-31	6
1354967	11-11	9	1356747	11-8	5	1360868	2-29	8	1361725	2-31	23
1355158	10-10	9		11-9	4	1360869	2-29	6	1361726	2-31	11
1355178	10-10	9	1356748	11-8	4	1360893	2-29	5	1361727	2-31	13
1355199	10-10	9		12-14	6	1360895	2-29	18		2-31	16
1355217	10-10	9	1356749	10-10	11		2-29	20	1361728	2-31	12
1355220	10-10	13	1356750	10-10	6	1360896	2-35	14		2-31	17
1355276	10-10	16		12-14	7	1360898	2-35	5	1361729	2-31	15
1355277	10-10	15	1356751	10-10	6	1360899	2-35	8	1361730	2-31	18
1355367	10-10	9		12-14	7	1361302	11-13	2	1361731	2-31	14
1355391	10-10	9	1356752	10-10	11		12-21	2	1361732	2-31	21
1355409	10-10	13	1358026	2-83	34	1361500	8-11	15	1361734	2-31	19
1355411	10-11	16	1358177	7-15	1	1361502	8-11	28	1361736	2-31	1
1355414	10-10	9	1358178	7-17	1	1361503	8-11	3	1361737	2-31	2
1355434	10-10	9	1358179	6-11	1	1361504	8-11	4	1361741	2-21	5
1355486	10-10	13	1358183	6-11	1	1361507	8-11	8	1361745	2-19	8
	12-14	15	1358940	11-8	6	1361675	2-35	3	1361746	2-19	6
1355497	12-14	18	1358989	11-13	17	1361676	2-35	11	1361747	2-19	3
1355587	12-14	10		12-22	17	1361677	2-35	13	1361756	2-41	11
1355603	12-14	10	1358970	11-13	14	1361679	2-25	9	1361798	2-27	2
1355610	12-14	11		12-22	14	1361680	2-25	16	1361801	2-27	17
1355620	12-14	10	1358972	11-13	8	1361681	2-25	18	1361806	2-27	13
1355633	12-14	10		12-21	8	1361682	2-25	20	1361807	2-27	14
1355710	12-14	10	1359234	10-7	18	1361688	2-25	5	1361813	2-37	10
1355713	10-10	13	1359458	5-13	42		2-27	3	1361821	2-37	13
	11-8	12		5-23	24	1361689	2-25	10	1361823	2-37	43
	11-9	9	1359588	1-39	11	1361690	2-25	15	1361825	2-37	18
	12-14	15	1359620	9-9	9	1361691	2-25	11	1361825	2-37	18
1355714	12-14	17	1360127	12-14	8	1361692	2-25	6	1361827	2-37	38
1355729	12-14	10	1360386	9-9	25	1361694	2-33	1	1361839	2-37	21
1355745	12-14	10		10-13	8	1361696	2-33	2	1361837	4-5	17
1355758	12-14	10		11-15	13	1361696	2-33	12	1361838	4-5	18
1355775	12-14	10		12-25	15	1361697	2-33	11	1361840	4-5	15
1355929	11-9	5	1360537	11-15	2	1361700	2-33	6	1361841	4-5	15
1355930	11-9	5	1360538	11-15	9	1361701	2-33	8	1361842	4-5	15
1356068	12-21	11	1360534	12-18	38	1361703	2-33	3	1361843	4-5	15
1356074	12-21	11	1360538	12-25	13	1361704	2-33	3	1361845	4-5	20
1356089	12-21	11	1360548	10-13	15	1361705	2-33	3	1361846	4-5	12
1356292	11-13	16	1360549	10-13	17	1361706	2-33	3	1361867	4-5	6
	12-22	16		12-25	25	1361710	2-33	13	1361868	2-27	19
1356400	13-3	1	1360796	9-11	8	1361711	2-33	13	1361871	2-41	18
1356401	13-3	2	1360797	9-11	9	1361712	2-33	13	1361873	2-21	4
1356560	12-21	11	1360878	2-29	13	1361713	2-33	13		2-37	15
1356572	12-21	11	1360879	2-29	19	1361717	2-31	20		2-37	20

NUMERICAL INDEX (Continued)

PART NO.	PG	ITEM	PART NO.	PG	ITEM	PART NO.	PG	ITEM	PART NO.	PG	ITEM
1361875	2-37	40	1368743	2-21	6	1378338	1-51	1	1381095	10-10	11
1361878	2-27	18		4-5	4		1-51	1		11-8	8
	2-41	14	1368844	4-5	14	1377781	2-6	2		11-9	10
1361879	2-27	7	1368886	4-5	2	1378418	4-45	12		12-14	13
1361881	4-5	21	1369333	11-15	7	1378652	4-45	10	1381354	12-7	1
1361884	2-31	26		12-25	3	1378690	11-11	5	1381358	12-7	1
1361885	2-21	2	1369344	10-15	8		12-17	2	1381360	12-7	1
1361886	2-37	19		11-17	6	1378691	10-5	7	1381362	12-7	1
1361888	4-5	13		12-29	6		12-5	11	1381365	12-7	1
1361890	4-5	10		13-17	17	1378692	11-11	22	1381366	12-7	1
1361891	4-5	11		13-21	19		12-18	21	1381560	12-29	1
1361894	2-29	16		13-23	19	1378693	11-11	22	1382111	1-33	8
1361895	4-5	31	1369345	10-15	8		12-18	21	1382112	1-33	1
1361897	2-29	24		11-17	6	1378694	10-5	8	1382113	1-33	8
1361898	2-19	1		12-29	6		12-5	12	1382114	1-33	1
	2-29	23		13-17	17	1378698	10-5	8	1382130	4-25	7
	2-37	14		13-21	19		12-5	12		4-27	7
	2-41	22		13-23	19	1378699	10-5	8	1382694	4-49	2
1361899	2-29	27	1369356	10-7	21		11-11	22	1382695	4-49	2
1362000	2-29	10		11-11	29		12-5	12	1383062	9-43	10
1362001	2-25	1		12-10	21		12-18	21	1383063	9-45	10
	2-29	12		12-17	18	1378726	1-49	1	1383331	4-3	16
1362002	2-29	14	1369357	10-7	21	1378727	1-49	1	1383573	3-19	14
1362003	2-29	17		11-11	29	1378728	1-49	1		3-21	7
	2-35	6		12-10	21	1378760	1-49	5	1383777	7-11	23
1362005	2-35	4		12-17	18	1378761	1-49	5	1385102	1-41	10
1362007	2-35	10	1369914	2-37	36	1378762	1-49	4	1388836	7-11	2
1362008	2-35	9	1369993	2-25	25	1378763	1-49	3	1390162	12-25	22
1362009	2-35	2	1370688	2-19	7	1378765	1-49	6	1391757	2-71	12
1362010	2-25	12	1370689	2-19	4	1378766	1-49	7	1391758	2-71	13
1362011	2-25	13	1370690	2-19	5	1378787	1-49	1	1393458	1-27	11
1362012	2-25	7	1370691	2-19	2	1378781	1-49	1	1393479	1-21	10
1362015	2-25	17	1370736	2-25	19	1378793	1-49	1	1393488	1-25	9
1362016	2-31	29	1370737	2-25	21	1378794	1-49	1	1393499	1-23	22
1362049	1-33	10	1370744	2-35	1	1378796	1-49	1	1393527	1-27	6
1362113	4-5	15	1370746	2-33	1	1379459	12-29		1393528	1-27	7
1362397	12-25	23	1371631	12-21	11	1379682	11-11	22	1393539	1-21	7
1363886	4-33	4	1371652	2-25	14		12-16	21		1-23	7
	4-37	2	1374549	1-41	4	1379683	11-11	22		1-29	13
	4-41	4	1374797	12-29	11		12-18	21	1393541	1-25	8
	4-59	3		13-23	22	1379684	10-5	8	1393679	9-3	3
	4-59	6	1375214	11-15	3		12-5	12	1394006	3-9	9
	4-59	8	1375391	8-3	28	1379685	10-5	9	1395286	11-11	4
1365140	12-10	24		8-6	35		12-5	12		12-17	1
1365517	11-15	16		8-7	28	1379687	10-7	11	1395291	11-15	32
1365778	1-51	1		8-9	35		11-7	6		12-25	28
1365830	1-41	3	1375486	6-6	48	1360849	5-3	11	1395292	11-15	26
1366902	2-21	7	1375488	6-6	24		5-13	44		12-26	32
1366933	2-41	19	1375492	6-6	46		5-24	47	1396406	11-15	31
1367191	2-37	12	1375642	2-6	1	1361078	9-45	4		12-26	29
1368856	10-5	6		2-37	2	1381082	9-43	9	1396518	2-17	13
	12-5	10	1375676	1-39	7	1381083	9-45	12		2-43	2

NUMERICAL INDEX (Continued)

PART NO.	PG	ITEM	PART NO.	PG	ITEM	PART NO.	PG	ITEM	PART NO.	PG	ITEM
1398099	3-19	22	1454826	4-13	24	1463140	4-21	10	1475409	3-11	13
	3-21	30	1454829	2-45	5	1463193	4-21	10	1476064	4-33	9
1399802	3-29	17		2-47	11	1463194	4-51	9		4-37	8
	3-31	9		4-19	24		4-51	13		4-41	9
1401746	13-17	9		4-49	2		4-51	16	1476077	4-49	14
	13-21	9	1454860	4-13	24	1465140	9-5	14	1476108	4-33	9
	13-23	9		4-49	2	1465468	4-45	5		4-37	8
1402414	3-19	43	1454862	2-45	6		4-45	24		4-41	9
1402813	4-61	2		2-47	11	1465469	4-45	23		4-59	7
	4-63	2		4-13	24		4-47	3		4-59	7
1402814	4-55	3		4-45	11		4-49	17	1476109	4-33	9
	4-55	5		4-49	2	1465504	11-11	8		4-37	8
	4-55	6	1454967	4-13	12		12-17	5		4-41	9
	4-55	7	1455674	2-27	4	1465897	13-14	1	1477166	1-46	5
	4-57	3	1455676	2-27	1	1466337	13-14	2	1477167	1-48	5
	4-57	5	1455677	2-27	10	1466472	13-14	3	1477237	1-48	6
	4-57	6	1459173	1-33	6	1468308	1-29	14	1477647	10-15	
	4-57	7		1-35	3	1468312	1-21	18	1477680	12-29	
	4-57	8	1460477	2-17	10		1-23	33	1477683	11-17	
	4-57	9		2-23	17	1468314	1-25	16	1477849	13-17	1
1402815	4-34	23		2-49	17	1468315	1-25	15	1477930	10-15	1
	4-39	42		2-55	10	1468316	1-25	14	1477931	12-29	1
	4-43	40	1462615	7-15	1	1468317	1-25	13	1477932	11-17	1
	4-55	2	1462616	7-17	1	1468319	1-27	5	1477938	13-21	1
	4-57	2	1462617	6-11	1		1-27	12	1477939	13-23	1
	4-63	4	1463136	4-25	12	1468320	1-27	2	1477944	13-21	
1402816	4-45	15		4-27	12	1468342	2-17	22	1477945	13-23	
	4-51	14	1463139	4-33	1	1468379	2-17	21	1477946	13-21	
	4-61	17		4-33	2		2-55	25	1477947	13-23	
	4-63	13		4-33	3	1468405	2-17	19	1477996	9-9	2
1402888	4-61	19		4-33	7		2-55	23		10-13	6
	4-63	11		4-33	8	1470152	1-31	8		11-15	17
1402883	4-3	7		4-34	20		1-37	1		12-25	17
1402889	4-33	10		4-37	1	1470153	1-31	8	1480187	4-35	38
	4-34	13		4-37	5		1-37	1		4-39	40
	4-34	27		4-37	6	1470161	1-31	6		4-43	38
	4-37	9		4-37	7		1-37	8	1480237	1-7	33
	4-37	12		4-38	19	1470163	1-31	7		1-7	33
	4-38	26		4-39	35		1-37	6		2-9	25
	4-41	10		4-39	41	1471591	6-11	1		2-11	22
	4-42	13		4-41	1	1471694	3-11	12		2-13	24
	4-42	27		4-41	2	1471828	6-11	1		2-15	24
	4-49	17		4-41	3	1471832	7-17	1		2-49	5
1402890	4-45	2		4-41	7	1471836	6-11	1		2-53	23
1402923	13-5	10		4-41	8	1471837	7-15	1		2-55	17
1450503	7-2	2		4-42	20	1471921	7-15	1		2-67	22
1450928	4-5	9		4-43	35	1471922	6-11	1		2-69	22
1453882	1-33	3		4-43	43		6-11	1		3-11	14
1453883	1-33	4		4-51	1		7-17	1		3-29	11
1454827	2-45	6		4-51	23	1473887	8-15	5		3-31	15
	2-47	11		4-52	32	1474763	4-45	25		4-3	15
	4-13	24		4-58	5	1474764	4-45	22		4-7	25

NUMERICAL INDEX (Continued)

PART NO.	PG	ITEM	PART NO.	PG	ITEM	PART NO.	PG	ITEM	PART NO.	PG	ITEM
	4-1	6		4-39	33		13-24	4		4-55	9
	5-7	6		4-39	35	1487067	5-1	7		4-57	10
	5-9	5		4-39	41		5-23	18		4-57	11
	5-11	13		4-41	1	1487069	9-3	19		4-69	3
	7-9	7		4-41	2		9-9	14		4-59	6
	8-15	11		4-41	3	1487096	13-14	6		4-59	8
	9-9	8		4-41	6	1487981	13-17			4-61	3
	13-5	5		4-41	7	1487982	13-17			4-61	5
1480747	12-9	12		4-41	9	1488464	9-9	22		4-61	8
1481090	11-11	2		4-43	34	1488875	13-17	2		4-61	13
1481095	12-17	12		4-43	35		13-21	2		4-63	3
1481096	11-11	14		4-43	43		13-23	2		4-63	6
1481097	10-7	5		4-51	1	1488976	13-17	2		4-63	13
	11-7	3		4-51	23		13-21	2		13-5	10
	12-9	5		4-52	32		13-23	2	1490243	4-34	21
1481228	9-9	-		4-61	1	1489002	13-17	1		4-35	31
	10-13	7	1484397	4-51	8	1489003	13-21	1		4-38	21
	11-15	18		4-51	12	1489004	13-23	1		4-38	31
	12-25	18		4-51	15	1489011	13-17	2		4-43	31
1481232	11-15	11		4-59	10		13-21	2		4-51	33
1481705	12-17	15		4-59	11		13-23	2		4-55	8
1481709	12-17	15	1484557	4-59	5	1489012	13-17	2		4-55	9
1481711	12-17	15	1484558	4-59	5		13-21	2		4-57	10
1481713	12-17	15	1484709	4-49	20		13-23	2		4-57	11
1481716	12-17	15		4-59	2	1489018	13-27	1		4-59	3
1481717	12-17	15	1486182	13-17		1489035	13-27	3		4-59	6
1481742	11-11	1	1486183	13-21		1489037	13-27	2		4-59	8
1482651	4-45	18	1486184	13-23		1489039	13-27	5		4-61	4
1482654	4-45	35	1486186	13-17		1489655	3-39	5		4-61	6
1482668	4-59	4	1486186	13-21			4-33	5		4-61	9
	4-59	7	1486187	13-23			4-37	3		4-61	14
1483661	13-29	8	1486737	9-9	7		4-41	5		4-63	3
	13-31	7	1486740	8-15	22	1489656	4-34	29		4-63	6
1483663	13-29	7		13-29	10		4-38	28		4-63	10
	13-31	6		13-31	9		4-42	29		13-5	10
1483664	13-29	8	1486742	7-8	4		4-51	5	1492644	9-43	17
	13-31	8		9-9	27		4-51	21	1493306	1-21	20
1483828	1-31	14	1486749	5-7	4		4-52	36		1-23	35
	1-37	9		5-9	3	1489657	4-34	29		1-25	10
1484377	4-33	1		5-11	4		4-38	28		1-27	8
	4-33	2		11-7	2		4-42	29	1493336	1-25	4
	4-33	3	1486773	10-7	13		4-51	6	1493428	4-33	6
	4-33	6		11-7	9		4-51	22		4-37	4
	4-33	7		12-9	13		4-52	37		4-41	6
	4-33	8	1487058	8-15	7	1490242	4-34	21	1493430	4-34	25
	4-35	34		9-9	3		4-35	31		4-36	22
	4-35	35	1487061	9-9	5		4-38	21		4-42	25
	4-37	1	1487063	5-17	31		4-38	31	1493435	4-55	6
	4-37	4		5-27	34		4-42	21		4-55	7
	4-37	5		7-9	5		4-43	31		4-57	8
	4-37	6		8-15	27		4-51	29		4-57	9
	4-37	7		13-18	4		4-55	8	1493447	4-57	5

NUMERICAL INDEX (Continued)

PART NO.	PG	ITEM	PART NO.	PG	ITEM	PART NO.	PG	ITEM	PART NO.	PG	ITEM
	4-57	8	1500912	3-35	15		2-59	1	1502069	3-11	3
1493458	4-45	1		3-39	15		2-63	1	1502079	3-5	6
1493465	1-17	15		4-3	11	1501811	3-23	2		3-7	5
	4-3	24		4-17	5	1501835	3-5	8		3-9	6
	4-34	30		5-3	8	1501837	3-7	9	1502081	3-11	39
	4-38	30		8-5	6	1501848	3-5	13	1502082	3-11	28
	4-42	30		8-7	6	1501849	3-9	15	1502083	3-11	38
1493466	4-25	24		8-9	8	1501855	3-2		1502084	3-11	41
	4-25	25		8-13	3		3-7	15	1502085	3-11	18
	4-30	4		13-5	7		3-9	16	1502276	7-11	28
1494017	10-13	18	1500913	4-33	4	1501887	3-7	7	1502543	3-11	6
	11-15	27		4-33	8	1501888	3-5	1		3-35	8
	12-25	24		4-37	2		3-7	1		4-3	10
1494753	5-13	31		4-37	4		3-9	1		4-3	20
	5-27	20		4-41	4	1501870	4-7	32		4-7	7
1494888	1-17	6		4-41	6	1501892	8-3	7		4-11	5
	1-18	12		4-55	1	1501994	3-11	24		13-12	7
1495122	4-25	5		4-57	1		13-11	2	1502627	4-35	34
	4-27	5		4-59	1	1501995	3-11	29		4-39	33
1495412	4-5	19	1500919	4-51	1	1501997	2-43	19		4-43	34
1495413	2-41	9		4-83	1		2-51	7	1502811	10-3	11
	4-5	30	1500925	4-52	34		3-7	6		11-3	11
1495426	2-27	8	1501274	5-3	1	1502000	2-9	18		12-3	11
1495427	2-27	20	1501413	7-13	10		2-11	25	1503096	13-27	7
1495428	2-37	11	1501829	3-5	9		2-13	15	1503680	6-6	37
1495472	2-33	7	1501867	2-73			2-15	15	1503681	6-6	37
1495473	2-33	5		2-75		1502001	2-51	10	1503958	1-21	19
1495474	2-33	5		2-77			2-53	6	1503959	1-23	34
1495475	2-33	5		2-81			2-67	5	1504010	10-15	8
1495501	2-17	24		2-85			2-69	5		11-17	8
	2-55	27		2-87		1502003	3-11	10		12-29	6
1495502	2-17	23		2-89			8-3	20		13-17	17
	2-55	28		2-91			8-5	22		13-21	19
1498922	11-8	13		2-93			8-7	20		13-23	19
	11-9	12		3-25			8-9	22	1504012	10-15	8
1497433	4-3	27		3-27		1502005	3-11	32		11-17	8
1498325	13-27	4	1501890	2-73		1502007	3-11	22		12-29	6
1498326	13-17	11		2-75			9-3	28		13-17	17
	13-21	17		2-77		1502008	8-15	4		13-21	19
	13-23	17		2-81		1502009	2-51	4		13-23	19
1498416	4-49	17		2-85			8-15	18	1504075	2-5	8
1499111	10-10	15		2-87		1502027	3-11	19	1506572	2-23	6
1500113	2-43	1		2-89		1502034	3-5	15	1506738	3-5	17
1500782	1-48	4		2-91		1502053	3-11	37		3-7	22
1500784	1-48	4		2-93		1502054	3-11	27		3-8	20
1500899	4-35	33		3-25		1502055	3-11	38	1509103	2-17	14
	4-39	34		3-27			9-9	15		2-43	2
	4-43	33	1501895	2-43		1502058	3-11	8	1509104	2-17	15
	4-45	37		2-45		1502059	9-9	18		2-43	2
	4-51	28		2-47		1502061	4-7	2	1509888	4-39	24
1500900	4-47	6		2-49			4-13	33		4-43	42
1500901	4-49	21		2-57		1502066	3-11	28		4-49	22

NUMERICAL INDEX (Continued)

PART NO.	PG	ITEM	PART NO.	PG	ITEM	PART NO.	PG	ITEM	PART NO.	PG	ITEM
	4-61	18		4-43	36	1517358	9-13	8		4-41	11
	4-63	12	1514603	4-34	17		9-15	19	1521184	4-33	10
	13-5	11		4-35	36		9-17	7		4-37	9
1509890	4-35	41		4-36	16	1517359	9-17	6		4-41	10
	4-38	27		4-39	37	1517361	3-29	10	1521185	4-34	15
	4-42	23		4-42	17		3-31	13		4-38	14
	4-51	7		4-43	36		9-11	15		4-42	15
	4-59	8	1514856	10-7	20		9-13	12	1521188	4-34	16
1510113	1-3	4		10-15	9		9-15	16		4-36	15
1510115	2-17	31		11-11	23		9-17	13		4-42	16
	2-55	35		11-17	9	1517376	9-15	18	1521188	4-33	10
	2-71	22		12-10	20	1517379	9-11	18		4-33	11
	3-11	2		12-17	19	1517384	9-11	17		4-34	15
	4-17	8		12-29	9		9-13	10		4-34	16
1510116	8-15	26		13-17	20		9-15	15		4-37	9
	9-3	4		13-21	18		9-17	11		4-37	10
1510126	6-5	16		13-23	18	1517395	9-11	21		4-38	14
	8-3	12	1515219	6-6	49		9-13	9		4-38	15
	8-5	15	1515337	1-21	11		9-15	22		4-41	10
	8-7	12		1-23	20		9-17	10		4-41	11
	8-9	15		1-29	8	1517405	3-19	11		4-42	15
1512403	7-2	1	1515654	4-7	29		3-21	33		4-42	16
1512561	6-6	63		4-13	19	1517420	1-7	1	1521328	4-49	9
1514138	5-35	14		5-17	12	1517421	1-7	1		4-49	11
1514269	9-41	1		5-27	13	1517437	3-19	1	1521989	4-33	10
1514429	2-45	7	1516075	6-5	20	1517438	3-19	10		4-33	11
	2-47	13	1516201	7-9	3	1517576	6-5	11		4-34	15
	2-49	3	1516331	6-5	10	1517578	6-6	56		4-34	16
	2-49	6	1516332	6-5	10	1517656	1-7	17		4-37	9
	3-29	6	1516333	6-5	10	1517673	6-6	59		4-37	10
	3-31	11	1516334	6-5	10	1517836	7-11	27		4-38	14
	4-7	16	1516335	6-5	10	1519232	1-19	1		4-38	15
	4-13	13	1516526	6-5	11		1-21			4-41	10
	4-21	12	1516530	6-6	56		1-23			4-41	11
	6-3	10	1516534	6-6	58		1-25			4-42	15
	6-5	13	1516535	6-5	6		1-27			4-42	15
	6-7	10	1516536	6-5	1		1-29			4-42	16
	6-9	13	1516818	5-17	24	1519380	3-12	51	1522363	2-79	2
	13-11	9		5-27	29		3-15	22	1522377	6-6	57
1514597	4-34	18	1516826	5-17	6		3-19		1522425	9-9	11
	4-35	37		5-27	9	1520290	9-41	2	1522442	12-18	33
	4-38	17	1516849	5-13	22	1520543	2-45	6	1523479	6-6	55
	4-39	38	1516851	5-13	21		2-47	11	1523732	1-48	2
	4-42	16		5-23	33	1520660	5-35	10	1523733	1-48	3
	4-43	37	1517356	9-11	20	1520752	6-5	13	1523734	1-48	7
	4-59	2		9-13	6	1520753	6-5	13	1523735	1-48	8
1514598	4-59	2		9-15	21	1520754	6-5	13	1523737	1-48	3
1514602	4-34	17		9-17	9	1520755	6-5	13	1523739	1-48	9
	4-35	36	1517357	9-11	19	1520864	4-45	27	1524031	2-47	10
	4-38	16		9-13	7	1520970	1-7	23	1524751	12-3	1
	4-39	37		9-15	20	1521183	4-33	11	1524755	10-3	1
	4-42	17		9-17	8		4-37	10		11-3	1

NUMERICAL INDEX (Continued)

PART NO.	PG	ITEM	PART NO.	PG	ITEM	PART NO.	PG	ITEM	PART NO.	PG	ITEM
	12-3	1		4-51	32		2-13	23		8-5	39
1524758	12-3	1	1525573	4-51	4		2-15	23	1527883	4-3C	9
1524760	10-5	1	1525577	4-34	28		2-43	4	1527884	2-23	2
	12-3	1		4-36	29		2-47	6		6-3	10
1524763	12-3	1		4-42	28		2-47	14	1527885	2-49	16
1524764	12-3	1		4-51	20		2-51	11	1527892	2-5C	4
1524786	10-3	1	1525584	4-49	15		2-53	22	1527938	1-7	38
1524771	10-3	1		4-51	3		2-55	13	152794C	1-7	38
1524798	10-5	1	1525677	5-27	9		2-67	21	1527946	1-7	24
1524803	10-5	1	1525686	5-23	32		2-69	21	1527982	2-9	17
1524808	10-5	1	1525692	5-13	41		3-29	19		2-11	26
1524813	10-5	1		5-23	43		3-31	17		2-13	16
1524831	12-5	1	1525693	5-13	40		3-37	4		2-15	16
1524835	12-5	1		5-23	42		4-3	14		2-51	8
1524837	12-5	1	1525696	5-17	21		4-7	5		2-53	5
1524839	12-5	1		5-27	22		4-11	4		9-3	12
1524842	12-5	1	1526082	4-25	8		4-19	9	1528132	4-18	3
1524843	12-5	1		4-27	8		5-3	10	1528133	4-18	4
1525354	7-1	1	1526186	9-3	13		5-7	7	1528140	2-6	2
1525441	3-9	3	1527228	1-3	21		5-9	6		2-37	5
	3-21	5	1527264	4-3	13		5-11	12	1528314	3-23	18
1525442	3-9	29	1527395	9-3	28		5-13	46	1528315	4-18	2
1525451	3-9	35	1527520	9-45	11		5-24	46	1528327	9-13	4
	3-21	29	1527562	4-13	11		6-3	12	1528328	9-11	14
1525459	3-9	31	1527571	4-5	25		7-9	8		9-17	4
	3-21	14		4-7	21		8-3	11	1528329	9-15	13
1525478	3-9	41	1527719	9-45	18		8-3	15	1528339	9-11	5
1525563	4-33	4	1527813	7-9	5		8-5	14		5-15	5
	4-37	2		8-15	7		8-7	11	1528415	2-23	8
	4-41	4		8-15	22		8-9	14	1528482	8-7	5
1525564	4-55	1		8-15	27		8-15	13		8-9	5
	4-55	1		9-9	3		9-3	2	1528495	2-9	7
	4-57	1		9-9	7		9-9	20	1528573	13-29	12
1525566	4-59	1		13-18	4		9-11	2		13-31	11
1525567	4-33	3		13-24	4		9-13	2	1528596	5-3	10
	4-33	7		13-29	6		9-15	2	1528606	3-23	21
	4-37	5		13-29	10		9-17	2	1528630	4-18	5
	4-37	7		13-31	5	1527880	3-5	11	1528631	4-18	6
	4-41	3		13-31	9		3-9	13	1528778	2-55	15
	4-41	7	152787E	1-3	9		3-11	20	1528888	1-17	8
	4-51	23		2-45	3		3-29	12		1-19	7
1525568	4-33	2		3-9	11		3-31	16	1528899	1-17	7
	4-37	1		4-11	9		3-35	7		1-19	6
	4-41	2		5-11	3		8-7	31		2-79	9
	4-51	1	1527877	2-49	2		8-9	39		4-14	35
1525589	4-33	8		2-49	7		8-15	12	1528893	3-23	10
	4-37	8		3-35	9	1527881	1-3	35	1528899	3-19	33
	4-41	8		13-5	4		2-43	10		3-21	17
	4-43	43	1527878	1-3	15		3-11	5	1528903	3-19	39
1525570	4-33	1		4-13	21		3-15	4		3-21	23
	4-39	41	1527879	2-9	24		3-23	8	1528906	1-3	5
	4-41	1		2-11	21		6-3	27	1528930	2-17	26

NUMERICAL INDEX (Continued)

PART NO.	PG	ITEM	PART NO.	PG	ITEM	PART NO.	PG	ITEM	PART NO.	PG	ITEM
	2-55	32	1529896	5-3	8	1531148	6-6	32		6-5	26
	2-71	18		5-23		1531162	4-55	3	1531559	6-3	22
*528934	2-17	30		5-27			4-55	5		6-5	30
	2-55	34	1530010	8-13	10		4-57	3	1531806	2-79	*2
	2-71	21	1530019	1-7	34		4-57	7	1531975	4-17	3
*528937	2-17	16	1530037	4-33	1	1531167	2-9	23	1531991	4-45	33
*528938	2-17	27		4-33	2		2-11	20	1532335	6-6	42
	2-55	31		4-33	3		2-13	22	1532337	6-3	13
	2-71	17		4-37	1		2-15	22		6-6	44
1529015	10-13	19		4-37	7		2-53	21		6-15	3
	11-15	5		4-39	41		2-67	20	1532339	6-6	42
	12-26	33		4-41	1		2-69	20	1532350	6-5	*6
	13-29	11		4-41	2	1531231	4-45	34	1532383	2-71	*5
	13-31	10		4-41	3	1531237	4-45	16	1532513	2-43	*8
*529046	4-33	7		4-43	43	1531239	4-45	17	1532523	2-17	11
	4-33	8	1530135	1-8	55	1531240	4-45	19		2-55	11
	4-37	5	1530243	1-3	33	1531254	2-43	13	1532532	3-23	1
	4-37	6		1-12	3	1531312	3-39	6	1532571	4-49	15
	4-41	7		2-9	10	1531404	2-9	26		4-49	16
	4-41	8		2-11	9		2-11	14		4-51	3
	4-51	2		2-13	9		2-13	25		4-51	11
	4-51	24		2-15	9		2-15	25		4-61	7
	4-52	33		2-53	13		2-53	25		4-81	11
1529052	4-34	25		2-67	12		2-67	24		4-61	18
	4-38	22		2-69	12		2-69	24		4-63	5
	4-42	25		3-5	10	1531468	4-59	4		4-63	8
1529257	4-7	31		3-7	11		4-59	7	1532585	2-17	29
	4-13	4		3-9	12	1531501	4-35	35		2-55	33
1529366	2-43	11		3-11	4		4-35	35		2-71	20
	3-15	2		3-15	3		4-43	35	1532650	10-7	6
	3-23	22		3-29	14	1531502	4-45	39		11-7	4
	3-35	17		3-31	19		4-49	20		12-8	8
	4-3	6		8-3	30	1531519	4-29	7	1532664	4-51	26
	4-7	12		8-5	37	1531557	1-3	25	1532708	6-6	53
	4-11	8		8-7	30		1-17	9	1532729	6-6	
	4-13	9		8-9	37		4-27	27	1532730	6-5	
	4-13	32		9-9	21		8-15	25	1532732	6-5	28
	4-17	4	1530244	1-3	32		13-7	4	1532735	6-5	21
	8-3	9		1-12	4	1531558	1-7	32	1532758	4-47	8
	8-5	12	1530311	3-37	5		1-17	3	1532759	4-27	19
	9-7	9	1530485	6-3	26		3-5	19		4-47	7
	9-9	12		8-5	11		3-7	24	1532761	4-45	20
	9-13	8		9-7	27		3-9	22		4-49	24
1529427	1-8	56		8-9	11		4-27	17	1532775	4-27	20
1529787	2-9	12	1530588	6-5	5		4-27	22		4-45	3
	2-11	11	1530722	5-35	4		9-9	24	1532776	4-45	31
	2-13	11	1530960	4-21	10	1531563	7-2	3		4-49	23
	2-15	11	1530961	4-21	10	1531567	8-3	2	1532777	4-45	8
	2-53	15	1530971	3-37	3		8-5	2	1532779	4-47	9
	2-67	14	1531001	1-7	7		8-7	2	1532904	4-21	10
	2-69	14		1-7	7		8-9	2	1533493	6-41	4
1529894	5-17	20		4-25	17	1531568	8-7	16		5-43	12

NUMERICAL INDEX (Continued)

PART NO.	PG	ITEM	PART NO.	PG	ITEM	PART NO.	PG	ITEM	PART NO.	PG	ITEM
	9-45	13		4-51	19		4-29	6	1543059	7-15	1
1533494	9-41	5		4-61	15	1539086	2-56	2	1543060	6-7	1
	9-43	15	1534871	6-3	25		4-7	11		5-8	1
	9-45	15		6-5	20		4-13	2		6-15	1
1533596	1-15	5		8-7	25		4-29	5	1543061	6-7	1
1533597	1-15	1		6-9	20	1539154	2-6	2		6-8	1
1533598	1-15	1	1535136	3-29	21	1539245	6-3	1	1543062	7-15	1
1533599	1-15	1	1535257	2-9	5	1539246	6-3	1	1543063	6-13	1
1533601	1-15	1		2-11	4	1539288	3-31	1	1543064	6-13	1
1533632	2-17	7		2-13	4	1539418	3-39	2	1543070	6-7	1
	2-55	7		2-15	4	1539584	4-25	20		6-8	1
	2-71	7		2-53	8	1539639	7-17	1		6-15	1
1533663	2-17	8		2-67	7	1539962	2-21	8	1543071	6-7	1
	2-55	8		2-69	7		4-5	3		6-8	1
1534013	2-43	5	1536304	4-7	9	1540643	1-7	9	1543094	5-19	14
1534017	2-50	1		4-11	1	1540805	4-3	21		5-21	14
1534174	2-17	26		4-13	29	1540860	1-7	40		5-29	14
	2-55	30	1536719	2-49	12	1540870	1-8	52		5-31	14
1534282	4-35	32	1536724	8-3	33	1541231	4-13	17		5-33	14
	4-39	36		6-5	40		5-13	14	1543098	5-19	14
	4-43	32	1536813	1-17	10		5-23	22		5-21	14
	4-51	31		1-19	4	1541232	5-13	15		5-29	14
1534417	1-3	16	1537133	6-3	8		5-23	19		5-31	14
	2-23	1		6-6	54	1541556	5-17	5		5-33	14
	2-43	6		6-15	5		5-27	5	1543097	5-19	14
	2-45	4	1537400	7-11	3	1541921	5-4	3		5-21	14
	2-47	7	1537449	5-19	14	1541991	4-34	20		5-29	14
	2-51	12		5-21	14		4-38	19		5-31	14
	4-3	8		5-29	14		4-42	20		5-33	14
	4-7	9		5-31	14	1541992	4-34	20	1543098	5-19	14
1534424	4-5	32		5-33	14		4-38	19		5-21	14
1534849	3-19	17	1537450	5-19	16		4-42	20		5-29	14
	3-21	1		5-21	16	1542082	3-29	13		5-31	14
1534860	1-41	5		5-29	17		3-31	18		5-33	14
1534671	3-19	37		5-31	17	1542436	3-15	12	1543102	5-19	24
	3-21	25		5-33	17		5-7	11		5-21	24
1534672	3-19	38	1537455	5-29	2		5-9	10		5-29	25
	3-21	24	1537551	4-13	26	1542439	3-15	13		5-31	25
1534674	3-19	19		4-25	23		4-7	1		5-33	25
	3-21	34		4-27	23	1542440	3-23	14	1543254	7-11	40
1534675	3-19	30	1537667	7-11	21		4-13	22	1543553	2-45	6
	3-21	31	1537692	4-7	27	1542500	3-31	8		2-47	11
1534677	3-19	23	1538162	3-29	2	1542546	9-11	10		4-45	13
	3-21	8		3-31	2		9-15	10	1543691	3-11	40
1534679	3-19	27	1538488	3-37	1	1542556	3-29	20		3-23	15
	3-21	32	1538490	3-29	5	1542670	2-17	12	1543698	8-3	18
1534789	2-17	2		3-31	5	1542674	2-57	5		8-5	18
	2-55	2	1538782	3-29	3	1542675	2-43	5		9-7	18
	2-71	2		3-31	3	1542676	2-43	5		9-9	18
1534828	4-33	12	1539085	2-56	3	1542677	2-43	5	1543842	8-3	19
	4-37	11		4-7	10	1542772	3-35	4		8-5	19
	4-41	12		4-13	3	1542773	3-35	6		8-7	19

NUMERICAL INDEX (Continued)

PART NO.	PG	ITEM	PART NO.	PG	ITEM	PART NO.	PG	ITEM	PART NO.	PG	ITEM
	8-9	19		4-39	39	1550571	5-17	'0	1553403	5-13	43
	13-11	6		4-43	39		5-23	'4		5-23	44
1543682	13-5	8	1546731	2-55	'2	1550572	5-17	'1	1553475	5-13	38
1543994	1-3	1	1547368	4-49	6		5-23	'5		5-23	39
1543995	1-3	2	1547369	4-49	13	1550573	5-17	9	1553710	2-35	1
1544'18	9-41	7	1547447	5-13	7		5-27	'2	1553715	2-25	4
1544'19	9-41	7		5-23	8	1550574	5-17	'8	1553716	2-25	2
1544'20	9-41	7	1547466	1-7	20	1550575	5-13	25	1553717	2-25	3
1544121	9-41	7	1547467	1-7	20	1550576	5-13	26	1553782	2-31	24
1544122	9-41	10	1547488	1-7	20	1550577	5-13	6	1553783	2-31	27
1544123	9-41	10	1547479	4-45	38	1550578	5-13	8	1553774	2-41	6
1544124	9-41	10	1547482	4-45	8	1550580	5-27	19	1553776	2-21	1
1544'53	1-8	45		4-45	9	1550581	5-23	26	1553799	2-41	12
	1-8	45	1547550	3-35	1	1550582	5-23	27	1553838	2-41	10
	8-3	31	1547712	2-17	25	1550584	5-23	9	1553878	2-27	16
	8-5	38		2-55	29	1550585	5-17	6	1553897	3-35	12
1544157	7-9	8	1547758	13-5	8	1550548	4-21	7		4-30	10
1544218	5-17	4	1547757	8-6	60	1550847	4-21	3		8-3	3
	5-27	8	1547849	8-3	4	1550747	2-79	16		8-5	3
15442'7	5-17	3		8-5	4	1551493	8-13	1		8-7	3
	5-27	2		8-7	4	1551494	8-13	1		8-9	3
15442'8	5-13	32		8-8	4	1551608	2-23	3		8-13	6
	5-27	7		8-13	2		2-58	1	1553943	2-37	17
1544232	7-17	'	1547984	2-43	8		2-79	'0	1553984	4-5	18
1544255	4-18	7	1548181	8-13	1	1551649	8-3	4	1553985	4-5	7
1544413	1-7	35	1548352	2-41	18	1551683	2-13	7	1553986	4-5	23
1544415	1-7	16		4-5	28		2-15	7	1553997	4-5	24
1544466	8-13	'	1548394	2-59	31		2-53	'1	1554030	4-5	8
1544566	7-2	4	1548497	2-8	18		2-68	'0		4-8	
	7-5			2-11	13	1551839	7-2	3	1554032	4-8	3
1544758	5-35	1'	1548618	1-3	7	1551845	2-43	16	1554033	4-8	1
1544759	5-35	13	1548620	2-43	16	1552010	1-3	17	1554034	4-8	2
1544846	1-3	3	1549398	4-7	19	1552011	1-3	18	1554359	4-34	17
1544975	9-3	18	1549715	13-29	6	1552012	1-3	19		4-35	35
	9-6			13-31	5	1552107	4-21	9		4-35	36
1545202	4-35	39	1549718	13-29	5	1552290	6-3	13		4-35	39
	4-39	39		13-31	'2		6-15	3		4-38	16
	4-43	39	1549724	13-29	5	1552525	5-19	6		4-39	35
1545387	1-3	10		13-31	'2		5-21	6		4-39	37
1545431	6-3	5	1550070	13-29	5		5-29	6		4-39	39
	6-15	4		13-31	'2		5-31	6		4-42	'7
1545402	6-3	13	1550298	12-18	29		5-33	6		4-43	35
	6-15	3	1550495	4-21	'0	1552853	5-17	20		4-43	38
1545443	4-5	26	1550496	4-21	'0		5-27	23		4-43	39
	4-7	23	1550561	5-35	'2	1553122	5-4	'	1554814	2-50	3
1545444	4-5	27	1550565	5-3	8	1553123	5-4	'	1554816	2-50	2
	4-7	22		5-13		1553125	5-4	'	1554838	2-47	4
1545546	5-35	3		5-17		1553265	2-79	1	1554902	4-17	12
1546673	4-49	3	1550566	5-17	1	1553266	2-23	14		4-19	10
	4-81	10		5-27	1	1553267	2-56	5	1554921	2-51	2
	4-83	7	1550567	5-17	16	1553270	5-13	35	1555731	4-21	14
1546697	4-35	39		5-27	16		5-23	38		4-21	14

NUMERICAL INDEX (Continued)

PART NO.	PG	ITEM	PART NO.	PG	ITEM	PART NO.	PG	ITEM	PART NO.	PG	ITEM
	4-21	14		5-27	38		5-9	4		8-9	8
	4-24	14	1559771	4-27	24		5-11	11		8-13	4
	4-22	14	1559049	4-49	1		8-15	10	1564529	1-7	25
	4-22	14		4-49	4		13-11	8	1564587	2-47	2
	4-22	14	1559418	3-2	3	1562649	4-55	3		3-33	10
	4-22	14	1559419	3-2	4		4-55	5	1564588	3-33	10
1556342	4-5	1	1559420	3-2	5		4-55	6	1564589	3-33	10
1556475	8-3	23	1559828	4-3	9		4-55	7	1564747	8-11	11
	8-5	10	1560091	4-7	9		4-57	3		9-13	5
	8-7	23		4-11	1		4-57	5		9-15	11
	8-9	10		4-13	29		4-57	6		9-17	5
1556574	1-17	1	1560121	4-7	8		4-57	7	1564752	3-37	10
1556623	4-7	14	1560441	4-45	32		4-57	8	1565076	4-25	13
1556713	1-17	1	1560447	4-25	21		4-57	9		4-27	13
1556829	3-39	1	1560448	4-25	22	1563207	1-31	1	1565098	4-49	6
1556838	4-7	20	1560847	1-3	37		1-37	2	1565125	4-25	3
1556962	3-37	2	1560871	1-17	4	1563208	1-31	13		4-27	3
1557269	3-37	7		1-19	15		1-37	12	1565127	5-7	3
	3-39		1560878	4-13	7	1563210	1-31	15		5-11	10
1557478	2-5	1	1560881	9-21	15		1-33	11	1565135	5-23	23
1557479	2-5	1		9-23	13		1-37	10	1565150	2-5	9
1557546	3-33	14	1561015	1-3	38	1563211	1-31	16	1565195	2-5	9
1557547	3-33	21	1561182	9-13	1		1-33	12	1565199	3-7	17
1557548	3-33	22	1561153	9-11	1		1-37	11	1565200	3-7	18
1557549	3-33	20		9-17	1	1563215	1-33	9	1565201	3-5	2
1557550	3-33	8	1561164	9-15	1		1-35	5		3-7	2
	3-33	10	1561518	4-45	4	1563227	1-33	7		3-9	2
1557551	3-33	11	1561519	4-42	21	1563230	1-31	3	1565212	3-7	19
1557552	3-33	12	1561559	4-25	10		1-37	4		3-9	23
1557553	3-33	1		4-27	10	1563231	1-31	4	1565290	8-11	2
1557554	3-33	9	1561749	13-12	1		1-37	5	1565303	8-11	6
1557558	3-33	5	1561755	4-25	11	1563351	1-35	1	1565305	8-11	27
1557559	3-33	6		4-27	11	1563389	1-3	20		8-13	7
1557560	3-33	18	1561780	5-11	2		1-3	20	1565309	8-11	31
1557561	3-33	7	1561871	5-7	10	1563407	1-3	37	1565310	8-11	31
1557562	3-33	17		5-9	9	1563836	1-3	37	1565311	8-11	32
1557563	3-33	16	1562088	3-29	15	1563840	1-8	56	1565312	8-11	33
1557564	3-33	13		3-31	20	1563841	4-17	11	1565313	8-11	12
1557565	3-33	15	1562310	5-35	15	1563881	1-8	43	1565314	8-11	12
1557566	3-33	4	1562353	1-39	21	1563883	1-8	54	1565315	8-11	34
1557737	2-5	4	1562359	1-11	1	1563909	4-3	12	1565316	8-11	30
1557767	2-5	2	1562360	1-11	1	1564044	4-7	4	1565324	6-5	23
1558052	1-25	24	1562361	1-11	1		4-11	2	1565327	6-5	18
1558156	4-81	12	1562362	1-11	1		4-13	30	1565391	2-11	3
	4-83	9	1562489	7-5	8	1564061	3-12	49	1565453	2-5	6
1558184	2-5	3	1562492	7-5	11		3-15	28	1565545	1-3	22
1558186	2-5	3	1562493	7-5	13	1564392	3-23	17	1565691	2-9	13
1558219	1-17	2	1562496	7-5	16	1564515	9-3	5		2-11	12
	1-19	14	1562501	7-5	21	1564526	3-39	9	1565892	2-13	12
1558226	4-45	14	1562505	7-5	25		8-3	7		2-15	12
1558228	4-45	38	1562509	7-5	1		8-5	8		2-53	16
1558515	5-17	33	1562848	5-7	5		8-7	7		2-67	15

NUMERICAL INDEX (Continued)

PART NO.	PG	ITEM	PART NO.	PG	ITEM	PART NO.	PG	ITEM	PART NO.	PG	ITEM
	2-69	15		2-15	20	1570290	8-3	9	157430*	1-19	2
1565832	2-23	9		2-55	19		8-5	9	1578664	9-5	3
1568076	4-51	17		2-67	18	1570298	8-3	32	1578665	9-5	10
	4-51	18		2-69	18		8-7	34	157867*	9-5	11
1568*16	4-51	25	156783*	2-55	20	1570300	8-5	33	1578672	9-5	7
1568*17	4-51	27	1568075	8-3	17		8-9	33	1578673	9-5	6
1568*31	8-3	33		8-7	17	1570337	9-6	7	1578693	9-5	11
	8-5	40	1568076	8-5	27	1570338	9-6	1	1578700	9-27	2
1568141	8-3	33		8-9	27	*570340	9-6	2		9-29	1
	8-5	40	1568077	8-5	28	*570342	9-6	3	1578701	9-27	2
1568142	8-3	33		8-9	28	*570346	9-6	4		9-29	1
	8-5	40	1568182	9-6	6	*570360	5-13	4	1578702	9-27	3
1568143	8-3	33	1568199	9-3	6		5-23	4		9-35	1
	8-5	40	1568243	6-3	34	*570361	5-13	1	1578703	9-27	4
1568144	8-3	33	1568245	6-5	34		5-23	3		9-31	1
	8-5	40		6-9	34		5-35		1578704	9-27	6
1568146	2-45	6	1568253	6-5	2*	*570362	5-23	6		9-37	1
	2-47	11	1568256	8-5	32	*570363	5-35	1	1578705	9-21	16
	4-13	24		8-9	32	*571828	1-27	1		9-23	14
1568166	5-17	25	1568271	7-11	8	*571775	1-29	7	1578706	9-29	12
	5-27	27	1568774	2-57	4	*572387	2-35		1578707	9-19	3
1568168	5-17	30	1568839	3-19	3	*572388	2-35			9-24	4
	5-27	33		3-21	20	*572588	4-34	19		9-37	4
1568169	5-17	7	1568844	3-19	40		4-38	18	1578710	9-39	3
	5-27	28		3-21	27		4-42	19		9-39	10
1568227	4-51	17	1568853	3-19	5	1572593	2-33	4	1578711	9-31	11
	4-51	18		3-21	22	1572594	2-33	4		9-33	10
1568329	5-3	3	1569079	2-11	1	1572595	2-33	4		9-35	13
1568420	3-9	17		2-13	1	1572596	2-33	4	1578712	9-24	3
1568453	1-31	1		2-67	1	1572597	2-33	4		9-29	2
	1-37	2	1569211	8-7	14	*572598	2-33	4		9-37	2
1568457	5-14	48		8-9	17	*573015	2-21	3	1578713	9-21	*
	5-24	52	1569273	6-3	4	*573021	2-41	21		9-23	6
1568461	6-5	60	1569274	6-3	4	*573117	2-41	7		9-31	2
1568462	6-5	60	1569277	13-9	2	*573118	2-41	1		9-33	2
1568506	2-6	3	1569278	13-9	2	*573119	2-41	8		9-35	2
1568516	2-17	16	1569465	5-7	9	*573120	2-41	13	1578714	9-29	1*
	2-55	12		5-9	8	*573176	2-37	6	1578715	9-37	6
1568528	2-55	19		13-11	5	*573179	2-37	3	1578718	9-31	3
1568564	12-26	43	1569602	9-29	4	*573562	2-41	3	1578741	9-27	5
1568654	2-45	9	1569616	5-17	27	*573564	2-41	20		9-33	*
	4-13	6		5-27	30	*573675	8-7	28	1578743	9-19	4
1568726	1-17	14	1569768	5-3	9		8-9	25		9-21	
1568802	2-57	6		5-13	45	*573774	1-7	12	1578744	9-19	5
1568849	13-3	3		5-23	45	*5741*1	3-2	3		9-23	1
1568853	13-3	6	1569776	2-45	5	*574131	3-2	5	1578745	9-19	6
1568951	1-39	6		2-47	8	1574147	1-41	12		9-23	2
1567020	2-71	8	1569912	6-5	13	1574153	8-7	8	1578746	9-19	7
1567333	4-45	7	1569913	6-5	13		8-9	9		9-24	1
1567674	2-9	21	1569914	6-5	13	1574260	3-2	4	1578747	9-19	2
	2-11	18	1569915	6-5	13	1574275	1-7	36		9-21	18
	2-13	20	1569985	4-21	11	1574277	1-7	15	1578748	9-19	2

NUMERICAL INDEX (Continued)

PART NO.	PG	ITEM	PART NO.	PG	ITEM	PART NO.	PG	ITEM	PART NO.	PG	ITEM
	9-21	18		9-21	24		5-31	22		11-11	31
1578753	9-29	12	1580131	9-19	3		5-33	23		12-18	24
1578875	9-29	7		9-21	24	1581107	5-19	19	158'565	10-13	10
1578876	9-29	10		9-24	10		5-21	18	158'566	10-7	8
1578878	9-31	10		9-37	5		5-29	19		10-7	10
	9-33	9	1580132	9-29	14		5-31	19		10-13	4
	9-35	12	1580133	9-21	8		5-33	19		11-7	5
1578881	9-29	16	1580146	9-19	9	1581'08	5-19	7		11-15	3
1578882	9-31	8	1580147	9-23	5		5-21	7		12-9	9
	9-33	7	1580148	9-19	10		5-29	7		12-18	28
	9-35	7	1580151	9-37	6		5-31	7		12-25	2
1578883	9-31	9	1580155	9-24	2		5-33	7	158'567	11-11	16
	9-33	8	1580156	9-24	2	158'109	5-29	15		12-25	8
	9-35	6	1580213	6-3	9		5-31	15	158'579	3-19	36
1578888	9-31	3	1580426	7-17	3		5-33	15		3-21	28
1578887	9-35	14	1580652	1-3	12	1581112	5-33	3	158'581	11-15	6
1578888	9-29	8	1580682	9-3	23	1581114	5-21	3		12-18	36
1578889	9-31	6	1580683	8-15	9	1581116	5-19	2		12-25	4
	9-33	8	1580749	9-29	12		5-21	2	1581582	10-13	2
	9-35	8	1580792	2-43	12	1581117	5-19	19	1581583	3-9	26
1578904	9-29	5	1580793	2-59	18		5-21	19		3-21	12
	9-31	3	1581048	2-41	15	1581176	4-29	8	1581587	11-11	18
1578905	9-35	5	1581049	2-41	15	1581302	3-15	7	1581588	12-25	10
1578906	9-31	7	1581050	2-41	15	1581313	4-45	40	1581590	11-11	30
1578907	9-33	3	1581051	2-41	15	1581315	4-45	41		12-18	25
1578911	9-29	6	1581052	2-41	15	1581438	3-5	4	1581654	1-17	5
1578912	9-31	11	1581055	1-45	1		3-7	3	1581657	1-25	21
	9-33	11	1581079	1-7	41		3-9	4	1581670	4-25	6
	9-35	13	1581097	5-29	3	1581439	3-5	5		4-27	6
1578918	9-33	4		5-31	3		3-7	4	1581733	3-19	12
1578934	9-33	5	1581098	5-19	8		3-9	5		3-21	4
1578940	9-21	2		5-21	8	1581526	4-7	26	1581739	3-19	9
1578943	9-21	4		5-29	8	1581534	9-5	8		3-21	9
1578965	3-15	14		5-31	8	1581535	9-5	10	1581740	3-19	21
1579026	8-7	15		5-33	8	1581536	9-5	3		3-21	10
1579027	8-7	32	1581089	5-19	9	1581537	9-5	8	1581741	11-15	14
1579028	8-9	21		6-21	9	1581556	3-9	18	1581744	3-19	14
1579116	1-23	28		5-29	9		3-21	2		3-21	7
	1-29	1		5-31	9		11-7	20	158'761	3-17	7
1579412	1-37	2		5-33	9		12-9	8	158'762	3-17	1
1579464	6-6	38	1581120	5-19	10		12-18	35	158'763	3-17	2
	8-1			5-21	10	1581557	3-19	45	158'764	3-17	3
1579455	6-6	39		5-29	10		11-11	19	158'773	3-19	14
	8-1			5-31	10	1581558	12-25	9		3-21	7
1579837	1-8	49		5-33	10	1581559	3-19	32	1581795	2-59	16
1579847	4-21	13	1581124	5-19	3		3-21	16		3-33	19
1579908	7-7	38	158'105	5-29	20		11-11	10	1581796	3-33	10
	9-19	8		5-31	20		12-17	13	1581827	11-11	7
	9-27	10		5-33	20	1581560	11-15	28		12-17	6
1580068	3-7	16	158'106	5-19	21		12-26	31	1581828	11-11	7
1580093	1-8	49		5-21	20	1581564	9-4	13		12-17	6
1580097	8-19	2		5-29	23		10-13	14	1581829	10-7	17

NUMERICAL INDEX (Continued)

PART NO.	PG	ITEM	PART NO.	PG	ITEM	PART NO.	PG	ITEM	PART NO.	PG	ITEM
	11-7	14		2-15	17		2-1	10	1584206	2-59	43
	12-10	17		2-53	24		2-13	10	1584207	2-59	45
	12-18	39		2-87	23		2-15	10	1584208	2-59	44
1581830	10-13	13		2-89	23		2-53	14	1584209	2-63	24
	11-15	25	1582139	2-55	2		2-67	13	1584222	2-63	26
	12-26	27	1582141	13-12	2		2-69	13	1584227	2-63	19
1581831	12-25	12	1582150	4-13	8		3-5	12		2-63	40
1581832	11-1	15	1582151	4-13	10		3-7	13	1584232	2-63	4
	12-17	9	1582159	3-7	14		3-8	14	1584239	2-63	4
1581834	10-13	9	1582160	9-3	30		4-27	26		2-63	6
1581835	11-7	19	1582161	9-3	29		8-3	21	1584240	2-63	38
	12-9	7	1582162	2-49	4		8-5	7	1584241	2-63	32
	12-25	5	1582163	2-49	13		8-7	21	1584242	2-63	35
1581836	10-7	7	1582222	2-17	17		8-8	7	1584243	2-60	84
	10-13	12		2-55	18		9-1	7		2-63	29
	12-18	30		2-7	16		9-13	3	1584244	2-63	39
1581841	11-11	20	1582286	1-3	14		9-15	7	1584246	2-64	52
1581842	11-15	19	1582287	1-3	13		9-17	3	1584247	2-63	41
	12-25	14	1582300	3-37	14		13-7	3	1584248	2-63	5
1581848	3-19	42	1582301	3-37	13		13-9	3	1584252	2-64	49
	9-4	12	1582302	3-37	14		13-12	6	1584253	2-64	47
1581849	10-7	14	1582303	3-37	13	1583672	1-3	28	1584254	2-63	44
	11-7	11	1582321	2-41	23	1583713	2-55	22	1584255	2-63	46
	11-11	11	1582323	2-41	5	1584120	2-57	8	1584256	2-64	54
	11-15	30	1582324	2-41	17		2-64	48	1584257	2-63	43
	12-9	14		4-5	29	1584121	2-60	80	1584260	2-64	55
	12-17	14	1582337	4-3	22	1584122	2-60	79	1584261	2-63	45
1581850	12-18	31	1582409	3-12	51	1584123	2-60	50	1584262	2-63	42
1581851	12-25	7		3-15	22	1584127	4-29	9	1584263	2-64	60
1581852	10-7	15		3-21		1584140	2-60	73	1584264	2-64	61
	11-7	12	1582410	3-21	25	1584141	2-60	66	1584265	2-63	13
	12-10	15	1582442	4-3	3	1584178	2-63	28	1584266	2-59	9
1581856	7-7	37	1582449	5-11	8	1584179	2-60	77	1584267	2-59	14
1581859	9-21	17	1582464	4-3	2	1584182	2-60	67	1584442	2-59	12
	9-23	12		4-17	8		2-63	7	1584444	2-59	13
1581860	9-21	11		13-5	9	1584183	2-63	8	1584445	2-59	10
	9-23	11	1582465	4-17	7	1584184	2-64	53	1584446	2-63	11
1581861	9-21	12	1582484	4-49	7	1584185	2-63	31	1584447	2-63	10
1581862	9-29	3	1582488	4-49	8	1584187	2-64	50	1584449	2-63	16
1581885	3-19	16	1582570	13-14	5	1584188	2-60	61	1584450	2-63	15
	3-21	3	1583169	6-3	8	1584189	2-60	63	1584451	2-59	11
1581887	3-19	7		6-15	8	1584190	2-60	62		2-63	14
1581886	3-19	8	1583593	2-41	15	1684193	2-60	59	1584452	2-59	25
1581898	3-19	24	1583609	1-39	5	1584195	2-60	65	1584453	2-60	81
	3-21	13	1583611	1-3	26	1584196	2-60	64	1584455	2-64	51
1581899	3-19	20		1-3	30	1584197	2-60	58	1584456	2-64	56
	3-21	35		1-8	48	1584199	2-50	57	1584457	2-64	59
1582072	1-7	26		1-8	48	1584200	2-60	56	1584458	2-59	24
1582074	2-15	3		1-12	1	1584201	2-60	55	1584459	2-60	76
1582076	2-53	7		1-17	1	1584202	2-60	54	1584460	2-60	78
	2-69	6		1-19	3	1584203	2-60	49	1584462	2-60	72
1582078	2-13	17		2-9	11	1584204	2-60	71	1584463	2-60	75

NUMERICAL INDEX (Continued)

PART NO.	PG.	ITEM	PART NO.	PG.	ITEM	PART NO.	PG.	ITEM	PART NO.	PG.	ITEM
1584464	2-59	38	1584944	4-3	8	1588430	13-9	4	1588577	8-15	18
1584465	2-59	15	1584987	9-5	8	1588432	1-1'	4	1588583	4-27	25
1584472	2-47	3	1585083	2-45	8	1588440	1-39	14	1588833	13-11	7
	2-59	26	1585084	2-45	8	1588457	3-23	11	1588963	2-58	7
1584474	2-60	68	1585085	2-45	8		3-27	12	1589195	13-5	2
1584475	2-60	70	1585317	2-13	8	1588458	3-19	14	1589312	2-17	9
1584478	2-60	69		2-15	8		3-2'	7		2-55	9
1584479	2-59	46		2-53	12	1588485	1-7	10	1589377	1-41	7
1584480	2-59	47		2-87	11		1-17	18	1589397	1-41	8
1584481	2-60	48		2-89	11		1-19	10	1589437	1-41	9
1584488	2-59	42	1585528	6-3	11		4-7	18	1589542	3-9	10
1584490	2-59	8	1585529	4-3	17		4-25	18	1589621	4-30	2
1584491	2-60	85	1585575	6-3	16		4-27	18	1589629	2-71	10
1584492	2-59	2		6-5	26		4-27	21	1589630	2-71	10
1584493	2-59	3	1585592	1-4	39	1588627	8-3	5	1589635	2-71	14
1584495	2-59	4	1585745	5-13	20		8-5	5	1589667	1-3	1
1584497	2-59	6	1585747	3-17	6		8-3	20	1589787	1-19	5
1584498	2-59	33	1585748	3-17	5		8-9	10	1590*13	9-27	7
1584502	2-59	20	1585750	5-23	34		9-1'	22		9-39	8
1584503	2-59	36	1585751	3-17	4		8-13	13	1590*14	9-27	8
1584504	2-59	21	1585765	1-3	27		8-15	23		9-39	1
	2-63	25	1585835	3-19	25		8-17	14	1590*45	1-8	42
1584505	2-59	32		3-21	11		8-27	12	1590*47	1-8	53
1584506	2-59	19	1585906	4-21		1588630	1-1'	2	1590*49	1-3	2
1584507	2-59	37	1585907	4-21		1588759	4-25	15	1590152	1-15	9
1584508	2-60	52	1585908	4-21			4-27	15	1590153	1-15	10
1584509	2-59	35	1585909	4-21		1588790	13-3	7	1590279	1-15	7
1584510	2-60	87	1586012	3-35	2	1588815	1-12	2	1590280	1-15	8
1584511	2-60	53	1586013	2-17	4	1588967	2-7'	9	1590427	7-17	4
1584514	2-63	17		2-23	15	1589088	2-55	16	1590839	5-35	8
1584519	2-60	51		2-43	17	1589089	2-55	14	1590865	5-35	7
1584520	2-59	17		2-49	15	1587778	4-35	40	1590866	5-35	6
1584521	2-60	83		2-55	4		4-39	32	1590917	2-15	1
1584522	2-59	34		2-71	4		4-43	41	1590918	2-15	1
1584523	2-49	9		3-12	50	1587843	2-25			2-53	1
	2-59	41		3-15	23		2-27			2-89	1
1584532	2-59	7		9-41	3		2-29		1580872	2-53	1
1584533	2-63	21		9-43	16		2-31			2-89	1
1584617	1-3	34		9-45	17		2-33		1591122	6-5	16
1584618	2-63	22	1586016	9-39	13		2-35		1591185	4-21	14
1584619	2-63	22	1586017	9-39	12		2-37			4-21	14
1584621	2-78	17	1586018	9-39	2	1587845	2-25			4-22	14
1584662	2-63	5		9-39	9		2-27			4-22	14
1584690	6-3	14	1586019	9-39	11		2-29			4-22	14
	6-15	7	1586020	9-39	7		2-31			4-22	14
1584893	7-15	4	1586021	9-39	6		2-33		1591261	5-13	
1584694	6-7	4	1586022	3-19	44		2-35			5-17	
	6-8	4	1586279	5-29	15		2-37		1591454	4-13	23
	6-11	4		9-39	14	1586027	4-3	4	1591538	2-84	57
1584695	6-7	4	1586280	9-29	9	1589050	6-5	6	1592071	4-30	7
	6-8	4	1586428	4-25	18	1588507	2-1	8	1592078	4-30	6
	6-11	8		4-27	16	1588508	2-9	9	1593358	2-9	4

NUMERICAL INDEX (Continued)

PART NO.	PG	ITEM	PART NO.	PG	ITEM	PART NO.	PG	ITEM	PART NO.	PG	ITEM
1593408	1-35			5-21	21		4-22	15	1598412	1-23	26
1593411	1-33		1595428	5-33	21	1598283	4-21	2	1598413	1-23	17
1593412	1-33		1595429	5-3*	23	1598290	1-25	5	1598414	1-23	19
1593413	1-31		1595430	5-29	21	1598291	1-25	23	1598416	1-23	1
1593414	1-31		1596179	8-7	26	1598293	1-25	1	1598417	1-21	1
1593415	1-33			8-9	25	1598294	1-25	17	1598420	1-27	3
1593416	1-33		1596624	1-7	14	1598295	1-25	6	1598421	1-27	4
1593417	1-31		1596625	1-7	37	1598296	1-25	3	1598422	1-27	9
1593418	1-31		159705*	1-8	50	1598297	1-25	2	1598423	1-27	10
1593421	1-37		1597052	1-7	39	1598298	1-25	18	1598424	1-27	13
1593422	1-37		1597058	1-7	27	1598299	1-25	19	1598425	1-27	14
1593423	1-37		1597070	1-8	61	1598300	1-25	7	1598426	1-27	15
1593424	1-37		1597381	9-4*	14	1598301	1-25	26	1598427	1-27	17
1593653	2-63	30	1597644	3-25	1	1598302	1-25	25	1598428	1-27	18
1593654	2-60	60	1597697	2-63	36	1598305	1-39	12	1598604	1-31	2
1593655	2-63	23	1597698	2-63	37	1598321	1-29	3		1-33	2
1593656	2-63	23	1597709	2-91	8	1598322	1-39	12		1-35	2
1593657	2-63	2	1597710	2-9*	8	1598323	1-29	12		1-37	7
1593658	2-63	3	1597765	2-15	1	1598324	1-39	12	1598668	1-29	9
1593659	2-63	2		2-53	1	1598325	1-29	16	1598889	1-23	24
1593660	2-64	59		2-59	1	1598326	1-39	12	1598670	1-23	21
1593661	2-63	33	1597766	2-15	1	1598327	1-29	15	1598671	1-23	21
1593662	2-60	86		2-53	1	1598329	1-29	10	1598672	1-23	21
1593665	2-59	5		2-89	1	1598332	1-29	2	1598673	1-23	21
1593983	5-23		1597795	2-13	1	1598333	4-27	28	1598874	1-23	21
	5-27		1598007	2-79	11	1598388	1-21	15	1598675	1-23	21
1594055	4-13	20	1598208	1-25	20		1-23	2	1599415	1-19	13
1594057	2-13	3	1598210	1-25	11	1598390	1-21	13	1599441	2-81	13
1594144	3-11	7	1598211	1-25	12		1-21	21		2-89	2
1594926	1-3	2	1598221	4-2*	14		1-23	25	1598442	2-89	3
1594927	1-3	1		4-21	14	1598391	1-21	16	1599443	2-89	12
1595420	5-13	13		4-2*	14	1598392	1-21	5	1599444	2-89	5
	5-19			4-22	14	1598393	1-21	3	1599445	2-89	8
1595421	5-13	12		4-22	14		1-23	15		2-93	12
	5-21			4-22	14	1598394	1-21	4	1598446	2-89	6
1595422	5-27	1*		4-22	14		1-23	15	1599448	2-77	4
	5-33			4-22	15	1598395	1-21	17		2-89	8
1595423	5-23	17	1598222	4-2*	14	1598396	1-21	2		2-91	4
	5-3*			4-2*	14	1598397	1-21	14		2-93	11
1595424	5-23	18		4-21	14	1598398	1-23	3	1599449	2-89	7
	5-29			4-22	14	1598399	1-23	9	1599451	2-89	4
1595425	5-19	25		4-22	14	1598400	1-23	10	1599452	2-89	10
	5-2*	25		4-22	14	1598401	1-23	9	1599453	2-89	11
	5-28	26		4-22	14	1598402	1-23	29	1598454	2-89	13
	5-31	26		4-22	15	1598403	1-23	23	1598455	2-89	14
	5-33	26	1598223	4-2*	14	1598404	1-23	21	1598456	2-89	10
1595426	5-19	23		4-21	14	1598406	1-23	30	1599457	2-89	11
	5-21	23		4-21	14	1598407	1-23	4	1598458	2-75	8
	5-28	24		4-22	14	1598408	1-23	27		2-77	7
	5-31	24		4-22	14	1598409	1-23	31		2-89	15
	5-33	24		4-22	14	1598410	1-23	32	1598459	2-75	1
1595427	5-19	20		4-22	14	1598411	1-23	14	1598480	2-75	2

NUMERICAL INDEX (Continued)

PART NO.	PG	ITEM	PART NO.	PG	ITEM	PART NO.	PG	ITEM	PART NO.	PG	ITEM			
1599461	2-75	3	1599535	2-81	28	1599590	2-87	14	1599533	3-27	1			
1599462	2-75	5	1599536	2-81	29	1599591	2-87	18	1599534	3-27	2			
1599463	2-75	6		2-81	32	1599592	2-87	1	1599535	3-27	3			
			1599537	2-81	30	1599593	2-87	2	1599536	3-27	4			
1599464	2-75	7		2-81	33	1599594	2-87	4	1599537	3-27	5			
			1599538	2-81	31	1599595	2-87	3	1599538	3-27	6			
1599465	2-75	12	1599539	2-81	34	1599596	2-87	5	1599539	3-27	7			
1599466	2-75	10	1599540	2-81	35	1599597	2-87	6	1599541	3-27	9			
1599467	2-75	13	1599541	2-81	36	1599598	2-87	8	1599542	3-27	10			
1599468	2-89	15	1599542	2-81	37	1599599	2-87	7	1599543	3-27	11			
			2-93	8	1599543	2-73	2	1599600	2-87	1	1599545	4-13	34	
1599469	2-89	17	1599544	2-81	8	1599601	2-87	2	1599601	2-87	2	1599546	4-9	1
1599470	2-75	5	1599545	2-81	1	1599602	2-87	7	1599602	2-87	7	1599547	4-9	2
			2-81	46	1599546	2-81	2	1599603	2-87	17	1599603	4-9	3	
			2-85	7	1599547	2-81	3	1599604	2-83	1	1599604	4-9	5	
			2-93	5	1599548	2-81	4	1599605	2-83	3	1599605	4-9	6	
1599471	2-75	6	1599549	2-81	5	1599606	2-83	2	1599606	2-83	2	1599606	4-9	4
1599472	2-75	7	1599550	2-81	9	1599607	2-83	4	1599607	2-83	4	1599607	2-73	13
1599473	2-75	4	1599552	2-81	40	1599608	2-83	7	1599608	2-83	7	1599608	2-75	20
1599475	2-73	3	1599553	2-81	38	1599609	2-83	9	1599609	2-83	9	1599609	2-77	11
			2-75	11	1599555	2-82	47	1599610	2-83	10	1599610	2-82	48	
1599476	2-75	6	1599556	2-73	1	1599611	2-83	13	1599611	2-83	13	1599611	2-88	19
1599478	2-75	16	1599557	2-81	39	1599612	2-83	14	1599612	2-83	14	1599612	2-91	15
			2-77	9	1599558	2-73	4	1599793	2-83	15	1599793	2-83	16	
1599479	2-77	1	1599560	2-73	5	1599794	2-91	2	1599794	2-91	2	1599794	3-25	25
1599480	2-77	2	1599561	2-73	6	1599795	2-91	3	1599795	2-91	3	1599795	2-85	15
1599481	2-77	3	1599562	2-73	7	1599797	2-91	12	1599797	2-91	12	1599797	3-25	1
1599483	2-77	5	1599563	2-73	8	1599798	2-91	9	1599798	2-91	9	1599798	2-89	1
1599484	2-77	6	1599565	2-73	10	1599600	2-91	7	1599600	2-91	7	1599600	2-89	14
1599485	2-77	8	1599567	2-73	11	1599601	2-91	10	1599601	2-91	10	1599601	3-25	19
1599486	2-81	45	1599568	2-73	12		3-27	8		3-27	8	1599602	3-25	18
1599487	2-81	44	1599569	2-85	1	1599802	2-91	14	1599802	2-91	14	1599802	3-25	21
1599488	2-81	10	1599570	2-85	2	1599803	2-91	11	1599803	2-91	11	1599803	3-25	23
1599489	2-81	15	1599571	2-85	3	1599804	2-91	1	1599804	2-91	1	1599804	3-25	22
1599516	2-81	16	1599572	2-85	4	1599807	2-91	13	1599807	2-91	13	1599807	3-25	20
1599517	2-81	17	1599573	2-85	5	1599818	3-25	2	1599818	3-25	2	1599818	3-25	24
1599518	2-81	18	1599574	2-85	6	1599819	2-81	41	1599819	2-81	41	1599819	2-85	15
1599519	2-81	19		2-87	11		3-25	4		3-25	4	1599820	3-25	1
1599520	2-81	20	1599576	2-85	9	1599820	3-25	3	1599820	3-25	3	1599820	3-25	14
1599521	2-81	21	1599577	2-85	10	1599821	3-25	14	1599821	3-25	14	1599821	2-75	19
1599522	2-81	43	1599578	2-85	11	1599822	3-25	15	1599822	3-25	15	1599822	2-77	10
1599523	2-81	42	1599579	2-85	8		3-25	17		3-25	17	1599823	2-82	45
1599524	2-81	10		2-91	5	1599823	3-25	16	1599823	3-25	16	1599823	2-89	16
1599525	2-81	11	1599580	2-85	14	1599824	3-25	13	1599824	3-25	13	1599824	2-91	16
1599526	2-81	12	1599581	2-85	13	1599825	3-25	12	1599825	3-25	12	1599825	2-93	17
1599528	2-81	14	1599582	2-85	12	1599826	3-25	11	1599826	3-25	11	1599826	3-25	26
1599529	2-81	22	1599583	2-87	9	1599827	3-25	10	1599827	3-25	10	1599827	3-25	1
1599530	2-81	23	1599584	2-87	10	1599828	3-25	5	1599828	3-25	5	1599828	3-25	10
1599531	2-81	24	1599585	2-87	12	1599829	3-25	6	1599829	3-25	6	1599829	4-17	2
1599532	2-81	25	1599586	2-87	13	1599830	3-25	9	1599830	3-25	9	1599830	2-81	10
1599533	2-81	26	1599588	2-87	16	1599831	3-25	8	1599831	3-25	8	1599831	2-81	10
1599534	2-81	27	1599589	2-87	15	1599832	3-25	7	1599832	3-25	7	1599832	2-87	9
												1599832	2-87	1

NUMERICAL INDEX (Continued)

PART NO.	PG	ITEM	PART NO.	PG	ITEM	PART NO.	PG	ITEM	PART NO.	PG	ITEM
1600277	2-87	2		12-21	9	2029108	2-37	22		2-38	47
1600278	2-87	1	2013089	11-13	10		2-37	42	2045321	2-29	26
1600279	2-87	2		12-21	10	2029112	2-37	23	2051128	2-25	22
1600491	8-11	20	2013099	11-13	15	2029116	2-37	7	2051129	2-25	4
1600492	8-11	20		12-22	15	2029120	2-37	24	2053099	2-47	1
1600493	8-11	27	2021341	8-3	14	2029343	5-31	2		4-47	
	8-13	7		8-5	17		5-33	2	2053795	12-21	
1601748	1-39	13	2021343	8-3	14	2034347	1-51	2	2053796	11-9	
1602394	13-3			8-5	17	2034460	1-39	2	2053797	12-21	
1602395	13-3		2021353	8-3	13	2037323	6-11	21	2053799	12-21	
1603212	1-3	2		8-5	16	2037340	6-11	19	2054879	2-9	1
1603214	1-3	2		8-7	13	2037341	6-11	22	2055193	3-2	
1603215	1-3	1		8-9	16	2037343	6-11	7		3-5	14
1603218	1-3	1	2021394	2-17	1	2037517	6-11	17	2055232	2-47	5
1603491	7-15	1		2-55	1	2037518	6-11	17		2-51	1
1603493	7-17	1		2-71	1	2041520	8-3	33	2055298	2-51	9
1605121	1-3	2	2021395	1-7	19		8-5	40	2058355	2-45	2
1605122	1-3	1		1-15	12	2043528	13-17	3	2058732	2-51	3
1605467	2-23	10	2021438	2-33	15		13-21	15	2058782	3-15	1
1605988	2-58	9	2021442	2-33	14		13-23	15		3-17	
1605990	1-12	5	2021683	3-23	20		13-27		2058822	1-7	5
1606006	6-7	14	2022352	6-5	9	2043529	13-17	3	2058823	1-7	8
	6-9	17	2022655	2-29	3		13-21	15	2058824	4-25	1
1606085	8-11		2028608	4-5	5		13-23	15		4-27	1
1606088	8-11		2028881	6-5	4		13-27		2058826	4-25	2
1606087	8-11	1	2027655	1-8	85	2043530	13-17	8		4-27	2
1606088	8-11	1	2027756	6-6	50		13-21	3	2058868	7-7	
1606532	6-5	23	2027817	6-8	47		13-23	3	2058869	7-7	
1606659	1-5	20	2027828	6-8	34	2043531	13-17	4		9-19	8
1606750	7-2	6	2027949	3-29	4		13-21	11	2058870	2-11	1
1606891	7-5			3-31	4		13-23	11	2057885	2-45	6
1606912	7-2	5	2028145	6-8	51	2043532	13-17	4		2-47	11
1608589	4-25	27	2028621	6-6	45		13-21	11	2057948	4-19	8
1608590	4-25	28	2028644	2-37	25		13-23	11	2058128	12-21	
1608591	4-27	29	2028645	2-37	26	2043533	13-17	5	2058210	12-21	1
1608592	4-27	33	2028852	2-31	24		13-21	8	2058213	11-13	1
1608816	3-25	1	2028853	2-25	23		13-23	8	2058214	12-21	1
1608817	3-25	1	2028854	2-25	3	2043534	13-17	5	2058219	12-21	1
1608854	4-25	28	2028862	6-5	12		13-21	8	2058222	12-21	1
	4-27	31	2028927	2-35	7		13-23	8	2058251	12-21	1
1608889	3-11	35	2029081	2-35	12	2044370	9-43	4	2058252	11-13	1
1609374	3-29	1	2029082	2-25	16	2044371	7-13	6	2058324	12-21	
1609621	1-19	11	2029084	2-25	2		9-45	5	2058326	11-13	
1609706	1-7	31	2029088	2-25	24	2044712	4-18	1	2058328	12-21	
1609707	1-7	28	2029095	2-31	3	2045024	2-37	17	2058331	12-21	
1609708	1-7	30	2029096	2-31	27	2045025	2-37	9	2058333	12-21	
1609709	1-7	29	2029097	2-31	28	2045026	2-37	8	2058338	12-21	
1610890	1-19	9	2029098	2-31	25		2-37	37	2058426	3-12	46
1611140	1-19	8	2029100	2-27	9	2045029	2-33	12		3-15	27
2013075	10-10	7	2029101	2-27	11	2045030	2-33	10	2058500	11-9	1
	12-14	8	2029102	2-27	12	2045033	2-33	9	2058536	11-8	1
2013088	11-13	9	2029103	2-27	21	2045036	2-25	28	2058619	11-9	

NUMERICAL INDEX (Continued)

PART NO.	PG	ITEM	PART NO.	PG	ITEM	PART NO.	PG	ITEM	PART NO.	PG	ITEM
2058651	1-8			9-17	16	2064644	12-14		2065051	9-9	28
2058823	1-9			9-27	17	2064648	12-14		2065052	9-9	28
2058909	4-17	10	2064046	12-21	7	2064651	12-14		2065096	4-13	24
	4-57		2064106	10-10		2064673	12-14		2065121	12-25	1
2059245	2-49	14	2064120	10-10		2064677	12-14		2065125	12-25	1
2059689	2-55	26	2064142	10-10		2064681	12-14		2065136	10-13	1
2059937	8-3	15	2064147	10-10		2064684	12-14		2065143	10-13	1
	8-5	25	2064152	10-10		2064706	12-14		2065148	10-13	1
2060032	4-19	6	2064166	10-10		2064710	12-14		2065153	10-13	1
2060033	4-19	11	2064171	10-10		2064712	12-14		2065182	12-25	1
2060198	4-17	10	2064176	10-10		2064714	12-14		2065184	12-25	1
	4-55		2064202	10-10	8	2064718	12-14		2065187	12-25	1
2060422	11-8		2064207	10-10	9	2064731	12-14		2065188	12-25	1
2060751	9-3	22	2064212	10-10	6	2064735	12-14		2065211	11-15	4
2060837	4-19	1	2064218	10-10	1	2064737	12-14		2065241	11-15	8
2060838	4-19	1	2064239	10-10	2	2064739	12-14		2065666	1-8	64
2060844	4-13	1	2064245	10-10	7	2064743	12-14		2065667	1-7	4
	4-49		2064250	10-10	7	2064753	12-21	1	2065868	1-8	63
2060957	2-17	32	2064256	10-10	3	2064754	12-21	1	2065870	13-18	2
	2-55	36	2064278	10-10	7	2064790	4-21	14		13-24	2
2061381	4-11	1	2064283	10-10	7	2064807	4-22	14	2065871	13-18	2
2061383	4-7	9	2064288	10-10	7	2064836	4-25	4		13-24	2
2061646	9-9	7	2064293	10-10	7		4-27	4	2065872	13-18	7
2061778	9-3	11	2064314	10-10	7	2064837	4-27	4	2065874	13-24	1
2062070	4-21	10	2064319	10-10	7	2064838	4-27	4	2065875	13-24	1
2062587	3-23	12	2064324	10-10	7	2064845	9-27	7	2065745	4-3	19
2062651	10-7	12	2064343	10-10	7	2064848	9-27	7	2065798	1-8	61
	11-7	8	2064352	10-10	7	2064849	9-27	7	2065797	1-8	60
	12-9	11	2064357	10-10	7	2064851	9-27	7	2065798	1-8	59
2062652	10-7	12	2064369	10-10	7	2064857	9-27	7	2065799	1-8	58
	11-7	8	2064374	10-10	7	2064859	9-27	7	2065826	1-8	58
	12-9	11	2064379	10-10	7	2064860	9-27	7	2065827	1-8	59
2062686	10-7	4	2064384	10-10	7	2064862	9-27	7	2065855	4-7	6
	11-7	10	2064399	10-10	7	2064885	9-19	1		4-45	1
	12-9	4	2064404	10-10	7	2064886	9-19	1	2065857	4-7	15
2062687	10-7	4	2064431	3-15	15	2064887	9-19	1	2066344	4-13	29
	11-7	10	2064464	11-9	5	2064888	9-19	1	2066482	4-19	5
	12-9	4	2064559	12-14	7	2064895	9-11	25	2066483	4-19	12
2062718	4-21	8	2064563	12-14	7		9-13	16	2066484	4-19	4
2063093	4-3	1	2064565	12-14	1		9-19		2066485	4-19	3
	4-18		2064567	12-14	1	2064897	9-15	26	2066629	2-41	2
2063117	9-19	8	2064571	12-14	1		9-17	17	2067044	7-17	2
	9-27	9	2064583	12-14	1		9-19		2067045	7-17	6
2063118	9-27	9	2064587	12-14	1	2064899	9-11	25	2067395	3-29	18
2063264	6-8	41	2064589	12-14	1		9-13	19	2067396	3-31	7
2063265	6-5	17	2064591	12-14	1		9-19		2067476	3-5	18
2063691	12-21	1	2064595	12-14	1	2064901	9-15	26		3-7	23
2063842	3-35	5	2064607	12-14	1		9-17	17		3-9	21
	3-37	11	2064611	12-14	1		9-19		2067597	5-11	6
2063991	9-11	24	2064615	12-14	1	2064929	13-5	1	2067598	5-11	1
	9-13	15	2064618	12-14	1	2065001	11-15	20	2067622	2-45	1
	9-15	25	2064640	12-14		2065030	11-15	21	2067623	2-43	7

NUMERICAL INDEX (Continued)

PART NO.	PG	ITEM	PART NO.	PG	ITEM	PART NO.	PG	ITEM	PART NO.	PG	ITEM
	2-49	11		2-15	13	2070487	1-47		2072903	7-9	1
2067831	2-43	14	2069702	2-13	14	2070488	1-47		2072905	8-13	7
2067830	8-3	1		2-15	14	2070489	1-47		2072918	2-23	11
	8-5		2069951	2-5	5	2070491	1-47		2073016	7-9	1
2067831	9-3	1	2069954	1-8	46	2070495	1-47		2073017	7-9	2
	8-5		2070018	9-45	2	2070496	1-47		2073082	12-14	1
2067802	8-3	1	2070071	2-67	3	2070553	4-25	4	2073084	12-14	1
	9-5			2-69	3	2070554	4-25	4	2073086	12-14	1
2067803	8-3	1	2070072	2-67	4	2070561	4-25	24	2073087	12-14	11
	9-5		2070073	6-7	2		4-27	30	2073114	1-45	3
2067822	13-18	1		6-11	2	2070562	4-25	25	2073115	1-45	2
2067888	2-43	3	2070074	6-7	2		4-27	32	2073116	1-45	4
2067889	2-43	9		6-11	6	2070563	4-25	24	2073117	1-45	6
2067962	6-5	22	2070075	6-8	2		4-25	25	2073118	1-45	7
2068337	9-3	21		6-11	2	2070611	9-6	5	2073119	1-45	6
2068339	4-17	9	2070076	6-6	2	2070685	4-7	15	2073120	1-45	8
2068340	4-17	9		6-11	6	2070731	4-29	1	2073121	1-45	9
2068344	4-17	9	2070077	8-13	2		4-63		2073122	1-45	10
2068357	2-47	9	2070078	6-13	2	2070734	6-3	1	2073123	1-45	11
2068378	2-73	9	2070079	8-13	2	2070769	13-11	1	2073159	1-18	7
	2-75	14	2070080	8-13	2	2070782	3-15	21		1-19	6
2068947	9-3	9	2070081	7-15	2	2070783	13-11	1	2073185	1-39	1
2069005	9-3	8	2070083	7-15	6	2070784	9-11	38	2073470	6-27	23
2069008	1-8	46	2070100	3-15	7	2070975	1-7	2	2073495	8-9	29
2069186	9-41	17	2070114	9-3	15	2071181	3-37	9	2073498	8-9	29
	9-45		2070147	5-3	2	2071281	1-7	3	2073788	13-14	4
2069167	9-41	15	2070148	9-9	18		3-5	16	2074210	1-41	2
	9-43		2070223	1-17	12		3-7	21	2074211	8-3	1
2069188	9-41	16	2070227	5-7	2		3-9	19		9-5	
	9-43		2070228	5-11	5	2071262	1-7	11	2074230	9-3	1
2069189	9-41	18	2070263	5-35	2	2071300	13-11	1		8-5	
	9-45		2070269	4-17	1	2071302	3-11	26	2074258	1-39	4
2069203	1-7	6		4-51		2071303	3-11	23	2074320	4-3	23
2069224	4-11	2	2070273	1-7	18	2071517	3-12	48	2074325	9-9	23
2069225	4-7	4	2070274	1-7	13		3-15	28	2074326	9-9	12
2069226	4-13	30	2070296	1-43	1	2071595	1-8	62	2074327	9-9	6
2069431	4-19	12	2070297	1-43	2	2071596	1-8	63	2074408	13-31	1
2069453	3-23	19	2070298	1-43	2	2071615	2-13	1	2074409	13-31	2
2069454	1-17	13	2070299	1-43	3	2072298	3-11	44	2074410	13-31	3
2069464	1-8	57	2070300	1-43	3		3-15	26	2074411	13-31	4
2069544	1-8	47	2070301	1-43	3	2072299	3-15	17	2074412	13-31	1
2069545	1-8	48	2070302	1-43	3	2072300	3-11	1	2074413	13-31	2
2069550	1-8	47	2070303	1-43	3		3-15	16	2074414	13-31	3
2069552	2-67	1	2070304	1-43	3	2072782	3-39	3	2074415	13-31	4
2069685	2-53	3	2070305	1-43	3	2072808	8-15	19	2074737	4-25	19
2069686	2-53	4	2070306	1-43	3	2072894	3-15	20		4-59	1
2069688	2-69	4	2070307	1-43	3	2072895	3-15	20	2074740	1-39	15
2069698	2-9	15	2070481	1-47		2072897	8-15	15	2074789	2-15	1
	2-11	24	2070482	1-47		2072899	8-15	8	2074790	2-53	1
2069899	2-9	14	2070483	1-47		2072900	8-15	24		2-69	1
	2-11	23	2070484	1-47		2072901	8-15	23	2074989	1-47	
2069701	2-13	13	2070488	1-47		2072902	7-9	2	2075120	6-5	8

NUMERICAL INDEX (Continued)

PART NO.	PG	ITEM	PART NO.	PG	ITEM	PART NO.	PG	ITEM	PART NO.	PG	ITEM
2075224	4-21	1		4-41		2075933	12-18	32	2077983	2-33	6
2075225	4-21	1	2075514	1-39	17	2075936	12-18	32	2078092	3-9	18
2075226	4-21	1	2075630	5-5	4	2075937	12-18	32	2078335	3-35	3
2075227	4-21	1	2075844	4-29	1	2076171	1-39	17	2079327	13-29	1
2075249	5-7	1		4-61		2076289	1-11	3	2079328	13-29	2
2075360	3-23	6	2075855	1-39	20	2076408	9-3	16	2079329	13-29	3
2075417	1-39	6	2075899	13-5	10	2076527	5-27	23	2079330	13-29	4
2075428	1-31	5	2075763	3-9	7	2076536	9-45	1	2079331	13-29	1
	1-33	5	2075767	5-7	8	2076537	9-43	1	2079332	13-29	2
	1-37	3		5-9	7	2076538	9-45	7	2079333	13-29	3
2075429	1-31	5	2075844	5-7	1	2076539	9-43	6	2079334	13-29	4
	1-35	4		5-9	1	2076540	9-45	1	2079369	7-2	7
	1-37	3	2075846	5-7	2	2076541	9-43	1	2079984	12-14	1
2075454	8-15	2		5-9	2	2076635	8-15	6	2080338	3-11	34
2075551	5-11	9	2075911	4-21	14	2076658	8-7	33	2302899	9-43	2
2075554	2-71	9	2075912	4-22	14		8-9	38	2302541	3-29	8
2075558	5-17	32	2075913	4-21	14		8-15	1		3-31	8
	5-27	35	2075914	4-22	14	2076695	4-19	2	2314223	8-3	14
2075580	4-3	6	2075916	4-21	14	2076696	4-19	2		8-5	17
	4-37		2075917	4-22	14	2077092	9-9	13	2314973	2-29	25
2075581	4-3	6	2075925	12-18	32	2077554	2-49	6			
	4-33		2075929	12-18	32	2077604	8-3	14			
2075562	4-3	6	2075931	12-18	32		8-5	17			



