

FORKLIFT TRUCK SPARE PARTS MANUAL

**MAKE:
GODREJ & BOYCE MFG. LTD**

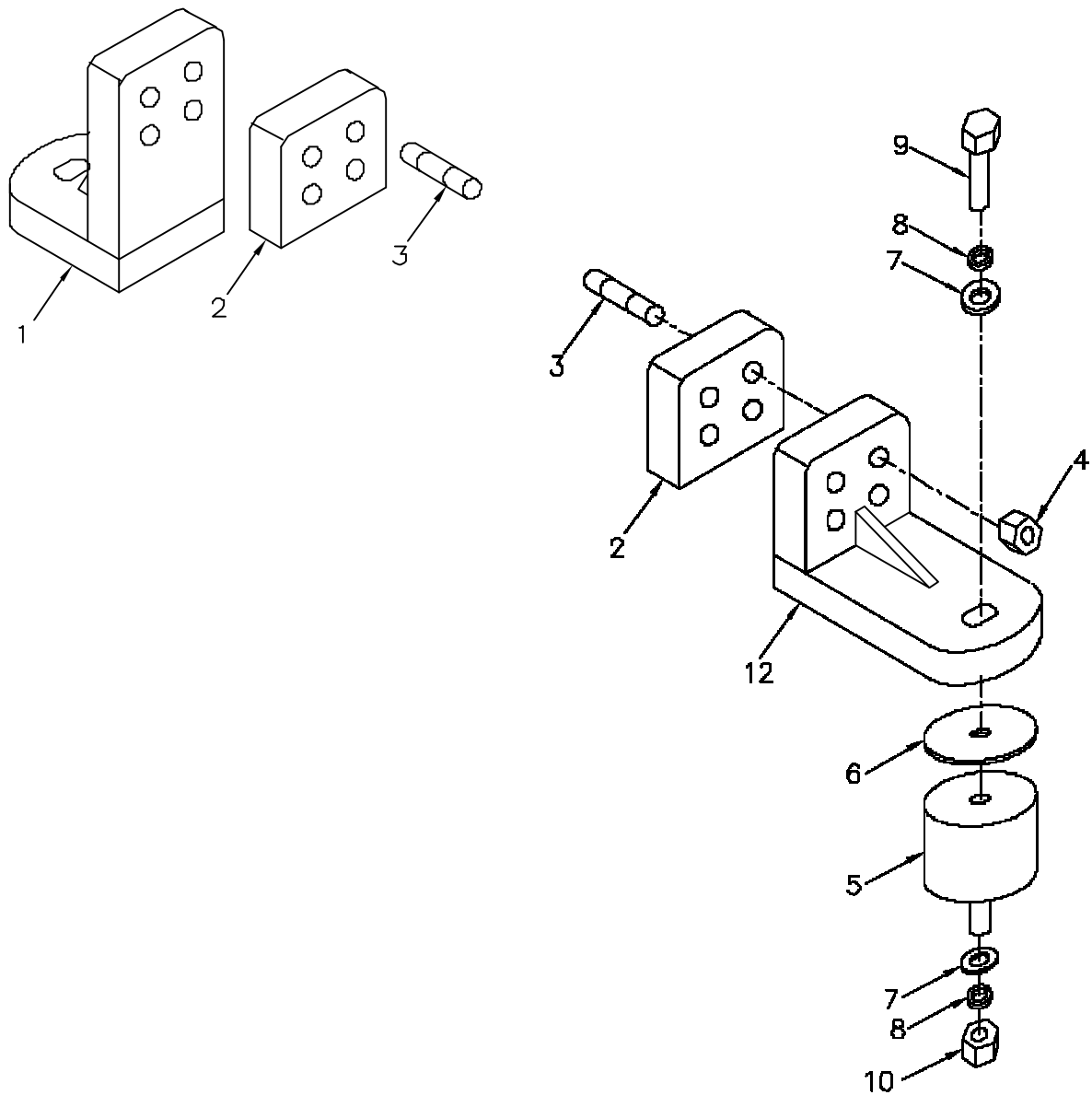
**MODEL:
GX 150/200/250/300 D**

INDEX

Sr. No.	DESCRIPTION	PAGE No.
1	ENGINE & RELATED PARTS	03
2	AUTOMATIC TORQUE CONVERTER TRANSMISSION	18
3	DRIVE AXLE & WHEELS	43
4	BRAKE ASSEMBLY	50
5	STEERING SYSTEM	61
6	HYDRAULIC SYSTEM	74
7	MAST ASSEMBLY	94
8	CARRIAGE & FORKS	103
9	BODY & OTHER MISC.	108
10	ELECTRICALS	123
11	TILT CYLINDER	134

ENGINE AND RELATED PARTS S4

ENGINE AND MOUNTING GROUP(S4) (MH02358660) 0101A



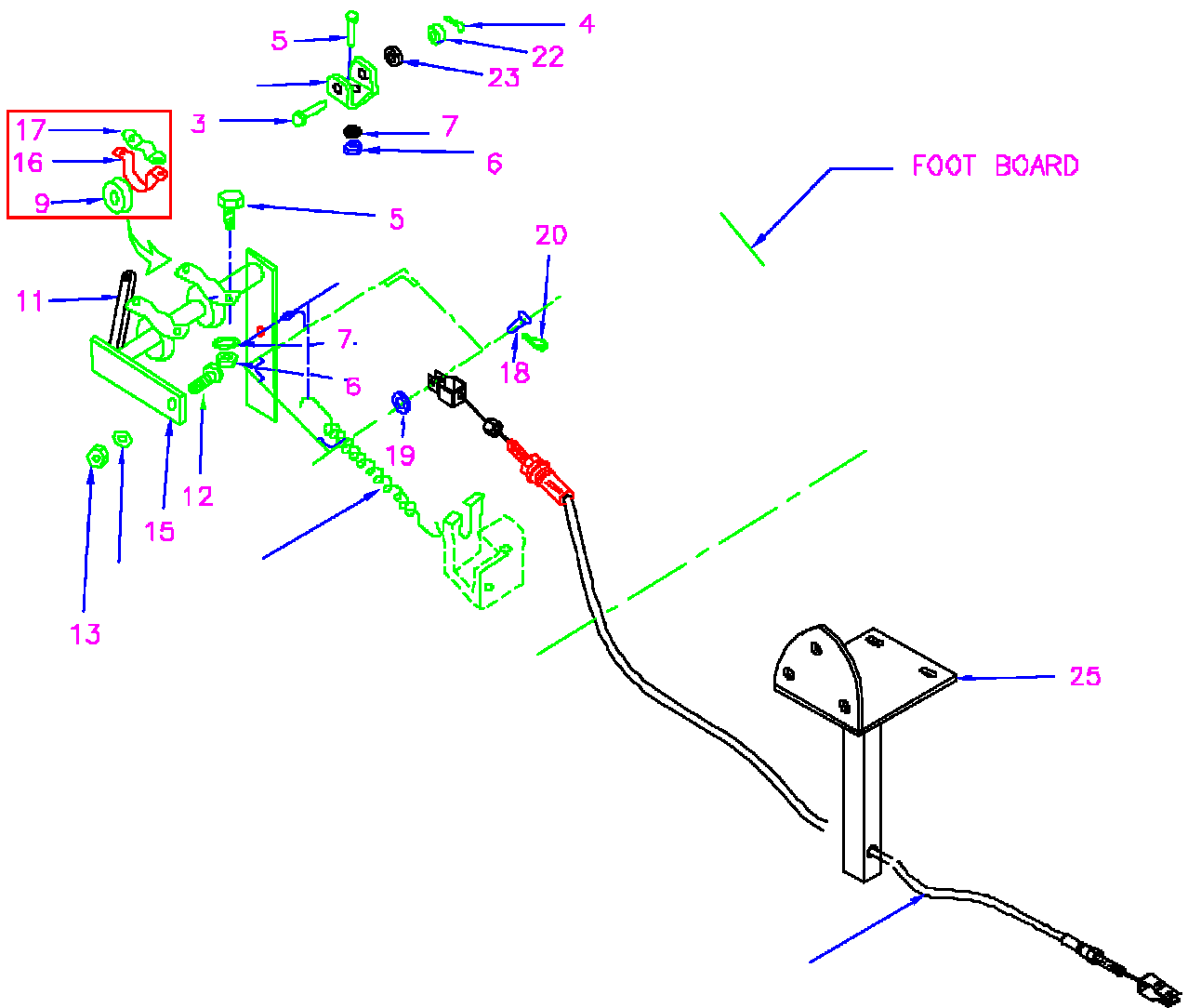
ENGINE AND MOUNTING

SR.NO.	ITEM CODE	PART DESCRIPTION	QTY.
1	02362180	ENGINE MTG. BRACKET L.H.	1
2	02255116	SPACER	2
3	02255129	STUD	8
4	60200006	NUT	8
5	59035299	ENGINE MOUNTING PAD	2
6	02014164	SHIM	AR
7	53130222	WASHER PLAIN - 12MM	4
8	53110358	WASHER SPRING -12 MM	4
9	49253353	BOLT – M12 X 35L	2
10	52414752	NUT – M12 X 1.75P	2
11	02083911	ENGINE – S4	1
12	02362205	ENGINE MTG. BRACKET R.H.	1

FUEL LINES (S4)

SR.NO.	ITEM CODE	PART DESCRIPTION	QTY.
1	39550162	HOSE-FUEL TANK TO FEED PUMP	1
2	39550162	HOSE-INJECTOR RETURN LINE TO FUEL TANK	1
3	39550163	HOSE-FEED PUMP TO DUAL FILTER	1
4	39550164	HOSE- DUAL FILTER TO INJECTOR PUMP	1
5	39550101	BANJO BOLT M14 X 1.5P	7
6	39550102	COPPER WASHER M14	14
7	02354451	CAP-FUEL	1
8	02354448	STRAINER -COVER	1
9	02354550	GASKET -COVER	1
10	02423438	FUEL TANK COVER	1
11	02426161	GASKET FUEL TANK	1

ACCELERATOR CONTROL

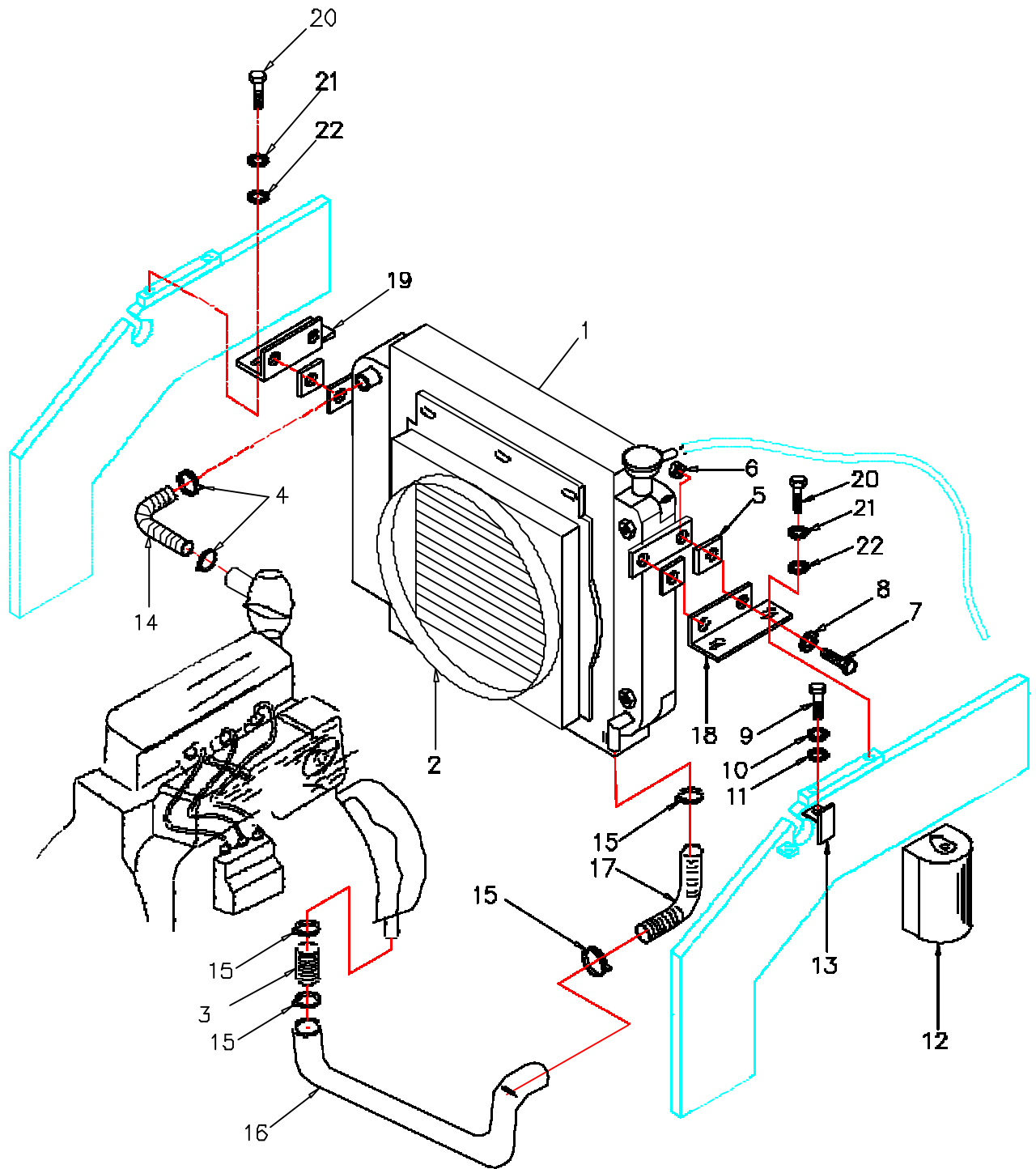


ACCELERATOR CONTROL(S4)

SR.NO.	ITEM CODE	PART DESCRIPTION	QTY.
1	02420594	PEDAL - ACCELERATOR	1
2	02355151	BRACKET -PEDAL	1
3	02014078	PIN	1
4	53360151	PIN COTTER 2X25 MM	1
5	49250183	BOLT -M6 X 18	6
6	52414356	NUT-M6 X 1	6
7	53130107	WASHER-SPRING ID=6MM	6
8	49251601	BOLT M8 X 60	1
9	02355177	BALL -HALF	4
10	36500002	CABLE - ACCELERATOR	1
11	02354985	ROD - NYLON	1
12	02355180	SCREW	4
13	52414509	NUT- M8 X 1.25	2
14	53130149	LOCK - WASHER	2
15	02355193	ROD - PEDAL	1
16	02355205	STRAP	2
17	02355218	BASE	2
18	02423371	PIN- CLEVIS	2
19	53110275	WASHER - PLAIN ID=6MM	2
20	53365172	PIN- COTTER 1/16' X 3/4"	2
21	02355221	SPRING	1
22	53110316	WASHER - PLAIN ID=8MM	1
23	53110332	MS WASHER -10MM	1
24	53130149	SPRING WASHER-8MM	1
25	02121405	BKT ASSLY SOLENOID	1

ENGINE COOLING SYSTEM(S4)

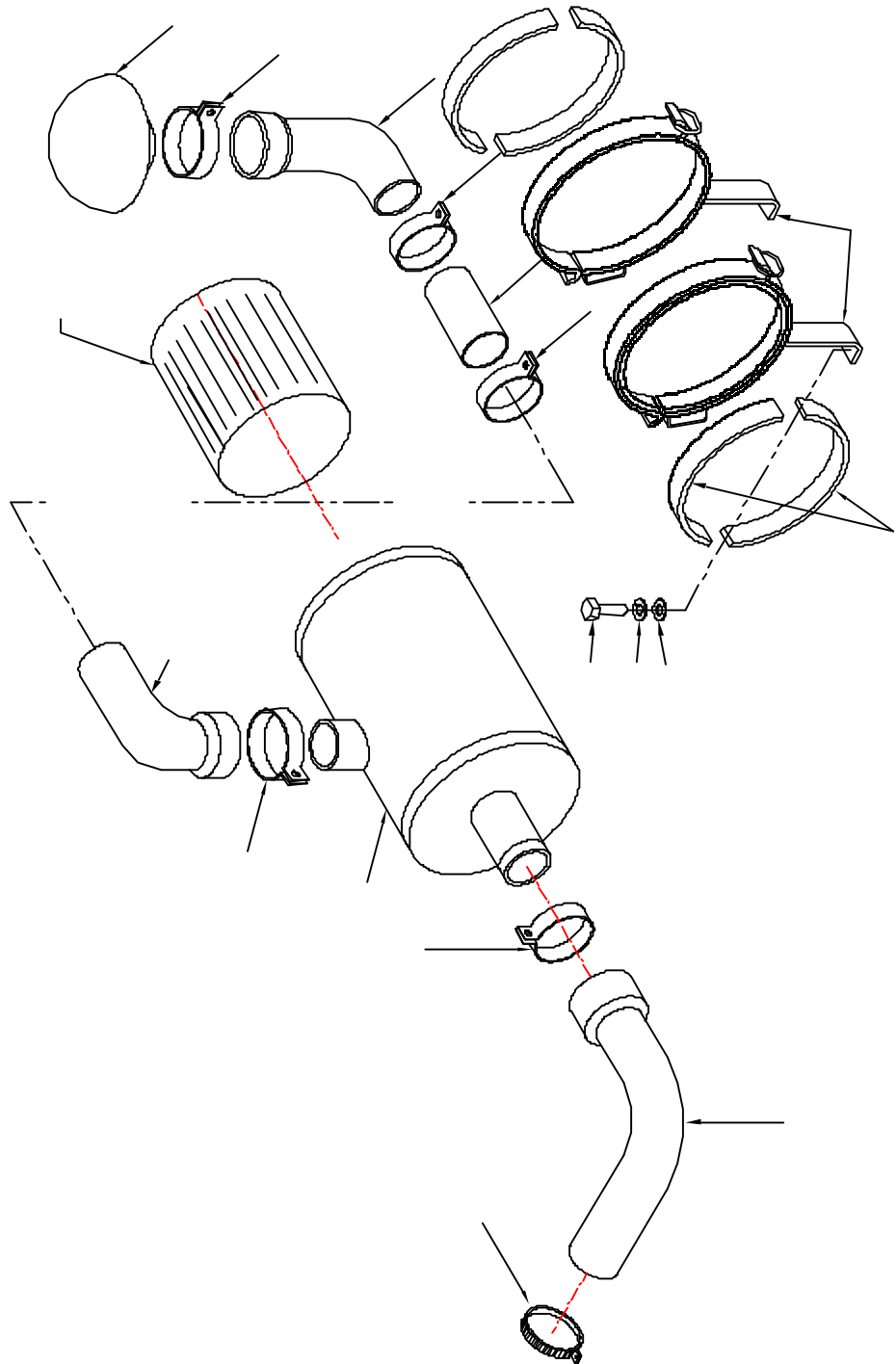
401A



ENGINE COOLING SYSTEM(S4)

SR.NO.	ITEM CODE	PART DESCRIPTION	QTY.
1	02363893	RADIATOR	1
2	02429443	SHROUD ASSY	1
3	02418391	HOSE	1
4	57037448	HOSE CLIPS	2
5	02006886	PAD RADIATOR	4
6	52414752	NUT-M12 X 1.75P	4
7	49253353	BOLT –M12 X 1.75 X 35L	4
8	53110358	WASHER M12	4
9	49251205	BOLT –M8 X 20L	1
10	53110316	WASHER –8MM	1
11	53130149	SPRING WASHER-8MM	1
12	86310007	RESERVOIR BOTTLE	1
13	02422048	MTG. BRKTOFR RESERVOIR BOTTLE	1
14	02006899	MOULDED HOSE-RADIATOR OUTLET	1
15	57037448	HOSE CLIPS	4
16	02367028	RADIATOR PIPE	1
17	02367750	HOSE	1
18	02366881	RADIATOR MTG.BRKT.(R.H)	1
19	02366894	RADIATOR MTG. BRKT.(L.H)	1
20	49251205	BOLT – M8 X 1.25 X 20	4
21	53130149	SPRING WASHER (M8)	4
22	53110316	WASHER-(M8)	4
23	02011965	RADIATOR CAP	1

INTAKE (S4) (MH02422754)



INTAKE (S4)

SR.NO.	ITEM CODE	PART DESCRIPTION	QTY.
1	36500005	AIRCLEANER –DRY TYPE	1
2	02879172	HOSE CLIPS	10
3	02363679	HOSE-AIR CLEANER TO ENGINE	1
4	02426484	RAIN CAP	1
5	02420424	HOSE	1
6	49252202	M10*20L	2
7	53130181	WASHER-SPRING ID=10mm	2
8	53110333	WASHER-10mm	2
9	02354378	SPACER 150mm	1
10	02352907	MOUNTING CLAMP	2
11	02171865	MOUNTING PADS	4
12	36500008	FILTER ELEMENT	1

ENGINE STOP CABLE (S4)

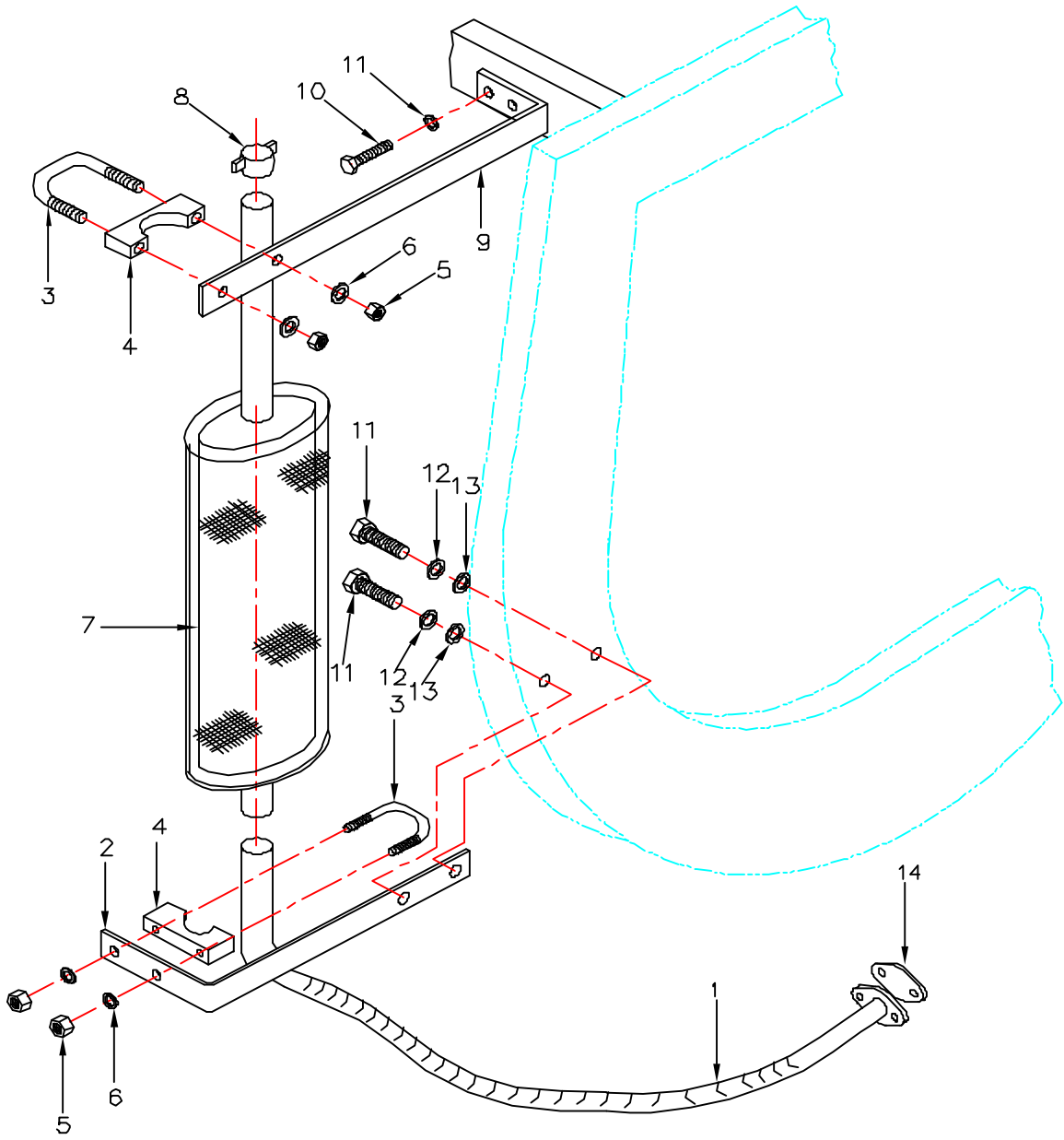
SR.NO.	ITEM CODE	PART DESCRIPTION	QTY.
1	59076399	CABLE-ENGINE STOP	1
2	02250492	STOP CABLE MTG.BRKT.	1
3	49250183	BOLT – (M6 X1.5 X 18L)	1
4	52414356	NUT (M6)	1
5	53110275	WASHER(M6)	1
6	02252537	PIN CLEVIS	1
7	53365172	COTTER PIN 2.0 X 12mm	1
8	53130107	SPRING WASHER M6	1

TEMPERATURE & PRESSURE SENSOR ADAPTORS

ENGINE	ADAPTER WATER TEMPERATURE SENSOR	ADAPTER ENGINE OIL PRESSURE SENSOR
S433	*	*
3R1040	02428008	02219433
TELCO 497	02428008	*
TATA 4SP	*	02412047
ISUZU	02363441	02353850 02353821
OM 616	*	02395238

NOTE:- * - NO ADAPTER REQUIRED AS SENSOR CAN BE DIRECTLY FITTED ON ENGINE.

VERTICAL STANDARD EXHAUST-S4

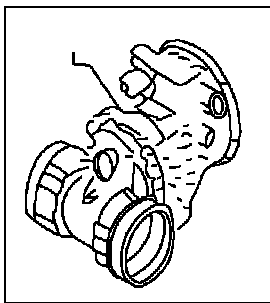
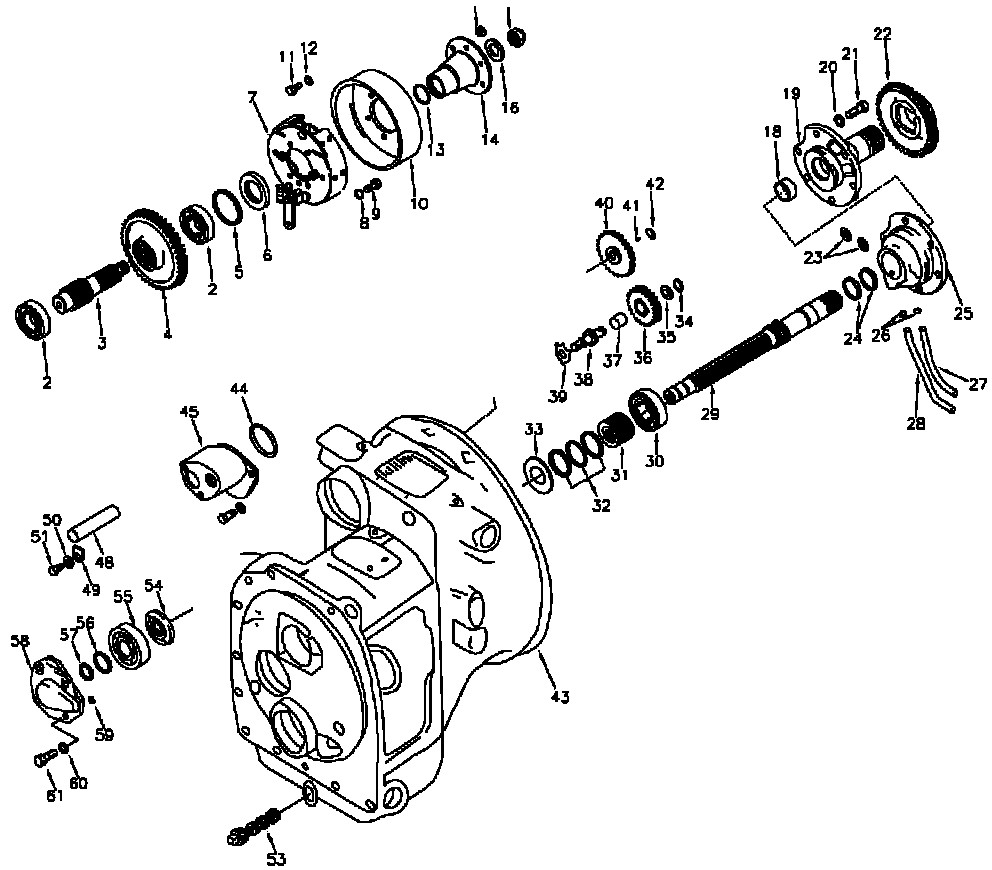


VERTICAL STANDARD EXHAUST-S4

SR.NO.	ITEM CODE	PART DESCRIPTION	QTY.
1	02361125	EXHAUST PIPE(ENGINE END)	1
2	02091918	BRACKET STRIP	1
3	02003009	"U" BOLT	2
4	02002990	CLAMP	2
5	52414509	NUT (M8 X 1.25)	4
6	53130149	SPRING WASHER-8MM	4
7	02091413	EXHAUST MUFFLER	1
8	02042246	RAIN CAP	1
9	02361141	CLAMPING BRACKET	1
10	49251205	BOLT(M8 X 1.25 X 20LG.)	2
11	49252202	BOLTM10X20	2
12	53130181	SPRING WASHER(M10)	4
13	53110332	PLAIN WASHER(M10)	2
14	02541637	GASKET	1

AUTOMATIC TORQUE CONVERTOR TRANSMISSION

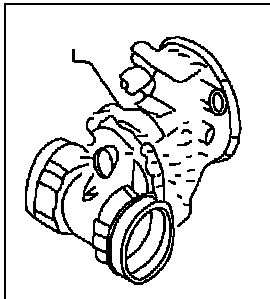
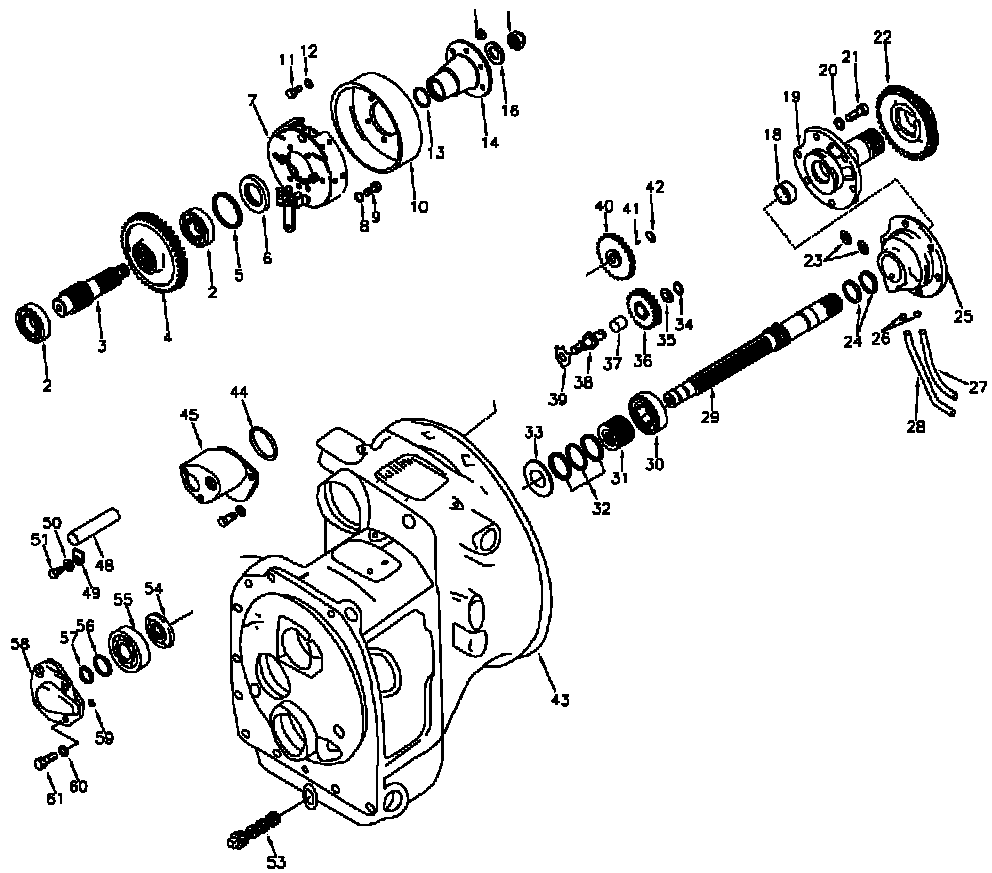
TRANSMISSION



**AUTOMATIC TORQUE CONVERTER
TRANSMISSION (TWIN/SINGLE SPEED)W/O INCHING**

SR.NO.	ITEM CODE	PART DESCRIPTION	QTY.
1	02371663	TRANSMISSION DRY TYPE (TWIN SPEED)	1
	02425135	TRANSMISSION SINGLE SPEED (HIGH)	1
	02363682	TRANSMISSION SINGLE SPEED (LOW)	1
2	54007406	BEARING – BRAKE SHAFT	2
3	02020336	BRAKE SHAFT	1
4	02010757	GEAR – BRAKE SHAFT DRIVEN	1
5	53522463	SNAP RING	1
6	02010377	OIL SEAL –BRAKE FLANGE	1
7	02020592	BRAKE	1
8	53130149	LOCKWASHER - 8MM	6
9	49251250	BOLT – M8 X 1.25P X25L	6
10	02015004	BRAKE DRUM	1
11	49251205	BOLT –M8 X 1.25P X 20L	6
12	53130149	LOCKWASHER – 8MM	6
13	**111	'O'RING – BRAKE FLANGE	1
14	02020323	BRAKE FLANGE	1
15	52414509	NUT – M8 X 1.25P X 20L	6
16	53110499	WASHER –20MM	1
17	52810529	NYLOC NUT –M20X 2.5P	1
18	02009522	BUSHING – STATOR SUPPORT	1
19	02019086	STATOR SUPPORT (INCLUDES ITEM 18)	1
20	53140195	LOCKWASHER –10MM	6
21	49252301	BOLT – M10 X 1.5P X 30	6
22	02009535	GEAR-OIL PUMP DRIVE	1
23	**111	'O'RING - OIL DISTRIBUTOR	2
24	02009551	PISTON RING –STATOR SUPPORT	2
25	02049542	OIL DISTRIBUTOR	1
26	**111	'O' RING –OIL TUBE SLEEVE	4
27	02010319	OIL TUBE	1
28	02011217	OIL TUBE	1
29	02049555	INPUT SHAFT	1
30	54007451	BEARING FRONT – INPUT SHAFT	1

TRANSMISSION



**AUTOMATIC TORQUE CONVERTER
TRANSMISSION (TWIN/SINGLESPEED) W/O INCHING**

SR.NO.	ITEM CODE	PART DESCRIPTION	QTY.
31	02049539	SLEEVE - OIL DISTRIBUTOR	1
32	02009580	PISTON RING –OIL DISTRIBUTOR	3
33	02010195	THRUST WASHER	1
34	53501653	SNAP RING-IDLER GEAR	1
35	02020310	THRUST WASHER – IDLER SHAFT	1
36	02020282	IDLER GEAR	1
37	54100343	BEARING –IDLER GEAR	1
38	02020307	IDLER SHAFT	1
39	02010984	LOCK PLATE-IDLER SHAFT	1
40	02011163	GEAR-PUMP SHAFT	1
41	02877008	KEY-PUMP	1
42	02010124	SNAP RING –OIL PUMP	1
43	02011063	TRANSMISSION CASE (DRY)	1
44	**111	O’RING –PUMP	1
45	02073006	CONVERTOR -PUMP (VICKERS)	1
	97545873	CONVERTOR- PUMP (DOWTY)	1
	A) 02032427	CONNECTOR	1
	B) 02142588	DOWTY SEAL	1
46	53130181	LOCKWASHER –10MM	2
47	49252257	BOLT –M10 X 1.5P X 25	2
48	02010249	SHAFT-REVERSE-IDLER GEAR	1
49	02020493	LOCK PLATE-IDLER SHAFT	1
50	53130181	LOCKWASHER-10MM	1
51	49252257	BOLT –M10X1.5P X25L	1
52	02142588	DOWTY SEAL	1
53	02049331	PLUG-DRAIN MAGNETIC	1
54	02010517	WASHER REAR-INPUT SHAFT	1
55	54008809	BEARING REAR -INPUT SHAFT	1
56	53501950	SNAP RING –BEARING	1
57	02009564	PISTON RING REAR –INPUT SHAFT	1
58	02019073	BEARING CAP	1
59	**111	O’ RING –BEARING CAP	1
60	53130181	LOCKWASHER-10MM	4

**AUTOMATIC TORQUE CONVERTER
TRANSMISSION (TWIN/SINGLE SPEED) W/O INCHING**

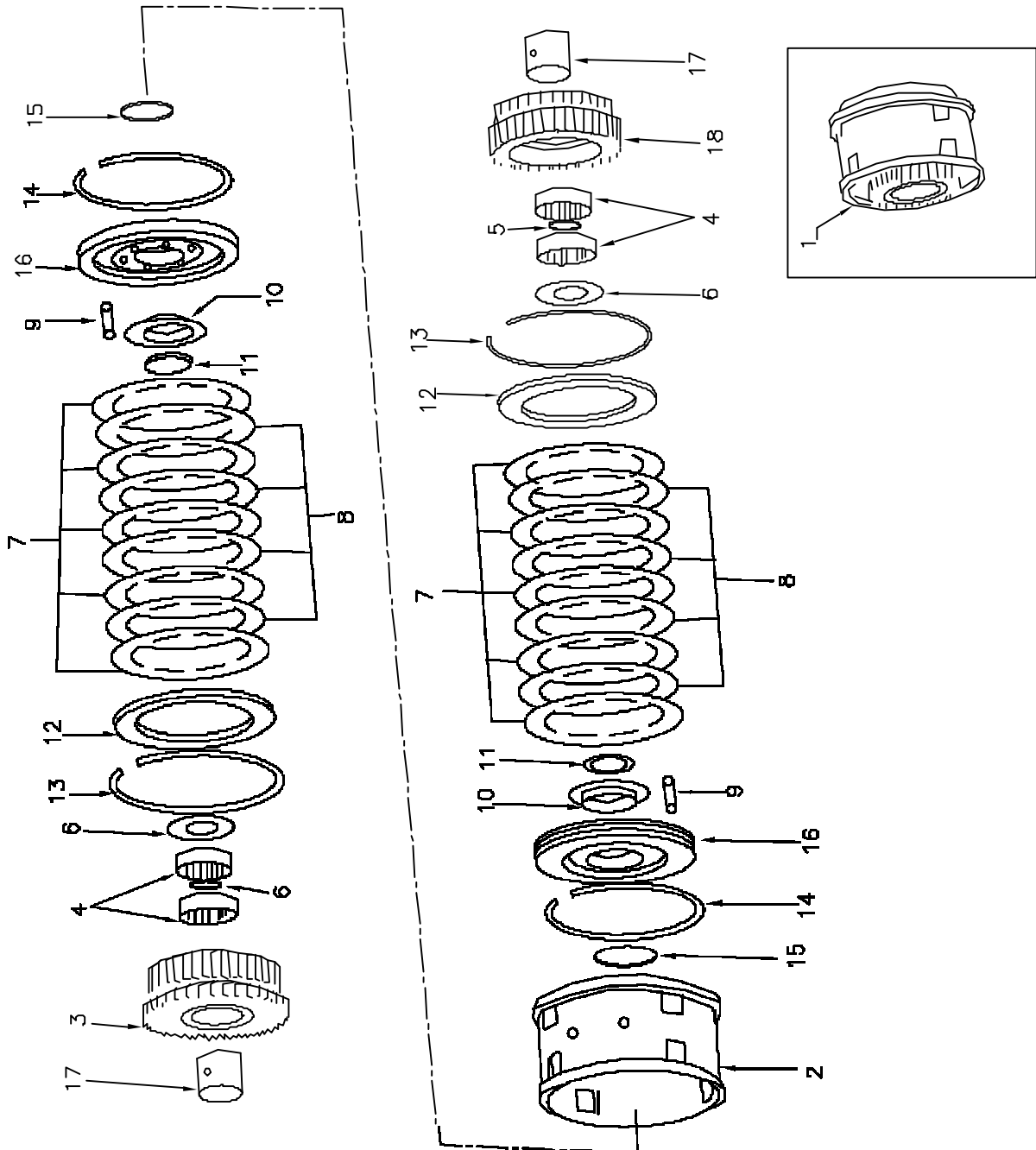
SR.NO.	ITEM CODE	PART DESCRIPTION	QTY.
61	49252257	BOLT-M10X 1.5P X 25L	4
62	02011048	PISTON RING –PINION SHAFT	2
63	02011035	OIL DISTRIBUTOR-PINION SHAFT	1
64	53522582	SNAP RING –P.S. OIL DISTRIBUTOR	1
65	**111	O RING –OIL TUBE SLEEVE	4
66	02010869	OIL TUBE HIGH, DISTRIBUTOR TO COVER	1
67	02010872	OIL TUBE LOW, DISTRIBUTOR TO COVER	1
68	02159546	NUT-PINION SHAFT	1
69	54099889	CUP & CONE TO FRONT BEARING	1
70	53522566	SNAP RING TO FRONT BEARING	1
71	02008806	SHIM-0.004"	AR
	02008819	-0.007"	AR
	02008822	-0.010"	AR
	02055321	-0.020"	AR
72	02014391	GASKET - CONTRCL COVER HOUSING	1
73	02424761	CONTROL COVER ASSEMBLY	1
74	02010195	THRUST WASHER	2
75	02011064	SPACER –BRAKE DRIVE GEAR	1
76	02011051	GEAR-BRAKE DRIVE PINION SHAFT	1
77	02054449	SHIM	2
78	02009676	GEAR HI-INTERMEDIATE SHAFT	1
79	54102868	BEARING REVERSE IDLER GEAR	2
80	**111	O RING-OIL TUBE SLEEVE	4
81	02018980	SLEEVE, OIL TUBE –HIGHLOW	2
82	02018977	SLEEVE-OIL TUBE,	2
83	53502001	SNAP RING-INTERMEDIATE SHAFT GEAR	2
84	02020480	INTERMEDIATE SHAFT	1
85	02009689	GEAR LOW- INTERMEDIATE SHAFT	1
86	38950062	CLUTCHPACK–DIRECTION SELECTOR	1
87	38950062	CLUTCH PACK –SPEED SELECTOR	1
87A	02159025	SPACER FORLOW	1
87B	02071086	GEAR FORLOW	1
87a	02145169	SPACER FOR HIGH	1
87b	02090151	GEAR FOR HIGH	1

**AUTOMATIC TORQUE CONVERTER
TRANSMISSION (TWIN/SINGLE SPEED) W/O INCHING**

SR.NO.	TEM CODE	PART DESCRIPTION	QTY.
88	02010195	THRUST WASHER	2
89	02010632	GEAR-REVERSE IDLER	1
90	02161129	GASKET-TRANSMISSION TO ENGINE	1
91	02010236	SPACER-INTERMEDIATE SHAFT GEAR	1
92	54007451	BEARING -FRONT -INT.SHAFT	1
93	53502001	SNAPRING -FRONT -INTSHAFT	1
94	49252202	BOLT M10 X1.5P X 20L	6
95	53130181	LOCKWASHER-10mm	6
96	02018863	COVER PLATE-TRANSMISSION CASE	1
97	02014317	GASKET-CASE COVER PLATE	1
98	02010773	STAINER -TRANSMISSION SUMP	1
99	02010614	SPRING -SUMP SCREEN	1
100	02010210	SPACER TO REAR BEARING	1
101	53522623	SNAP RING TO BEARING	1
102	54098019	CUP & CONE TO REAR BEARING	1
103	02011233	BEARING REAR-INTERMEDIATE SHAFT	1
104	02010265	LOCATING-RING TO REAR BEARING	1
105	53502001	SNAP RING TO REAR BEARING	1
106	02018836	STUDS	9
107	53130222	SPRING WASHER	9
108	52414707	NUT	9
109	53130181	LOCKWASHER -10mm	2
110	49252202	BOLT M10 X 1.5P X 20L	2
111	02350747	TRANSMISSION O-RING KIT	1

** = NOT SOLD, USE ITEM NUMBER LISTED

HI-LO AND FORWARD - REVERSE SELECTOR PACK



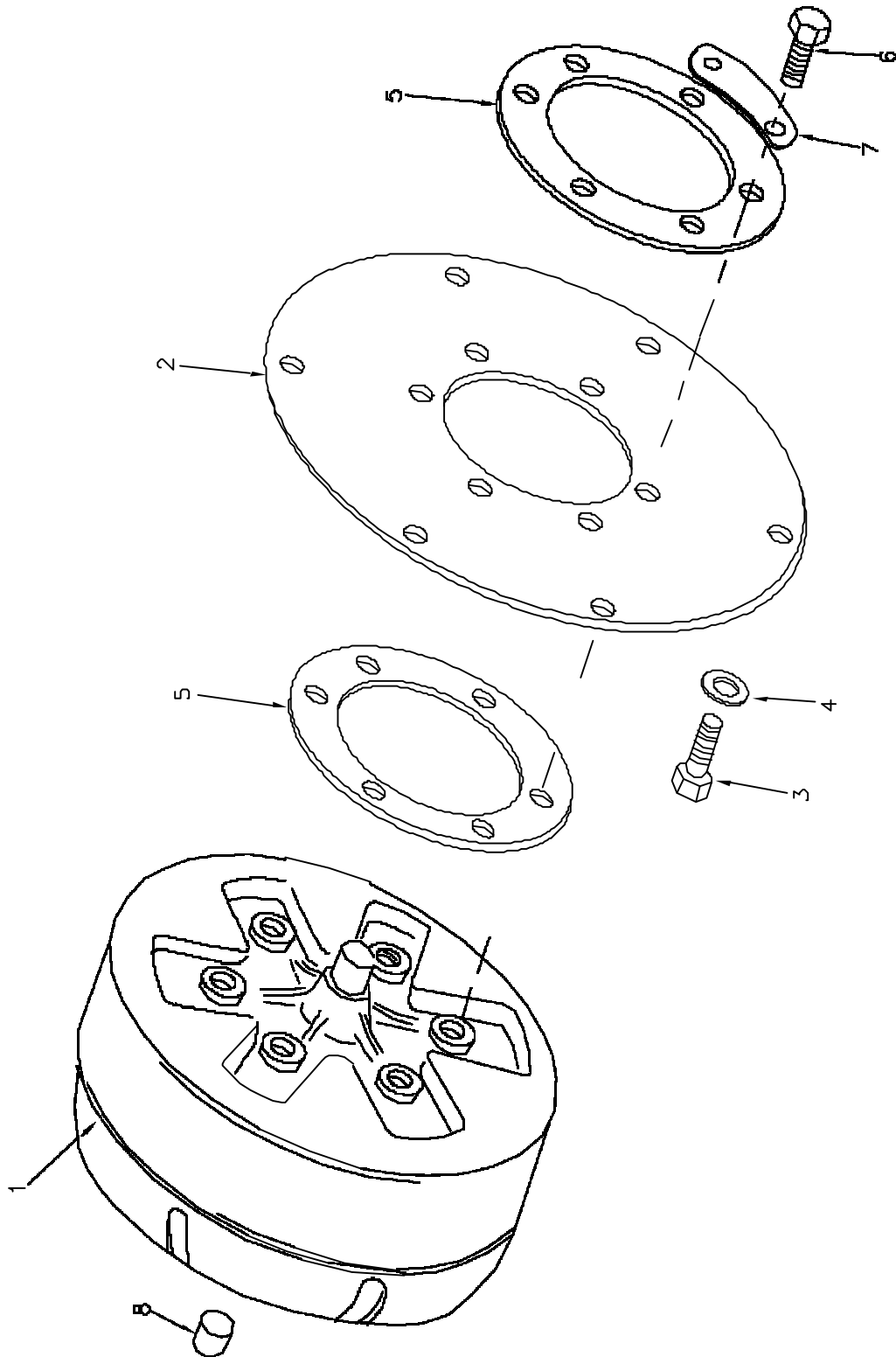
HI-LO AND FORWARD REVERSE SELECTOR PACK

SR.NO.	ITEM CODE	PART DESCRIPTION	QTY.
1	02047197	SELECTORPACK-HI-LO OR SELECTOR PACK –FORWARD & REVERSE (WITHOUT ITEMS 3,4, 5,6,17 & 18)	1
2	02040581	ASSLY HUB & DRUM	1
3	02019057	GEAR - FORWARD	1
4	54100356	BEARING	4
5	02021560	SPACER - BEARING	2
6	02010195	THRUST WASHER	4
7	02041025	CLUTCH DISC - INNER	10
8	02040619	CLUTCH DISC - OUTER	AR
9	02010504	SPRING – CLUTCH DISC RELEASE	24
10	02014429	RETAINER - SPRING	2
11	53502506	SNAP RING – SPRING RETAINER	2
12	02020448	END PLATE	2
13	02056021	SNAP RING – END PLATE	2
14	02010252	PISTON RING – OUTER CLUTCH DISC	2
15	02010054	PISTON RING – OUTER CLUTCH DISC	2
16	02009986	PISTON	2
17	02020464	BEARING INNER RACE – GEAR	2
18	02019060	GEAR – HI	1

NOTE

- 1) QUANTITIES ARE CLUTCH PACK.
- 2) SINGLE SPEED TRANSMISSION
NO. OF SELECTOR PACK : 1
- 3) DOUBLE SPEED TRANSMISSION
NO OF SELECTOR PACK :2

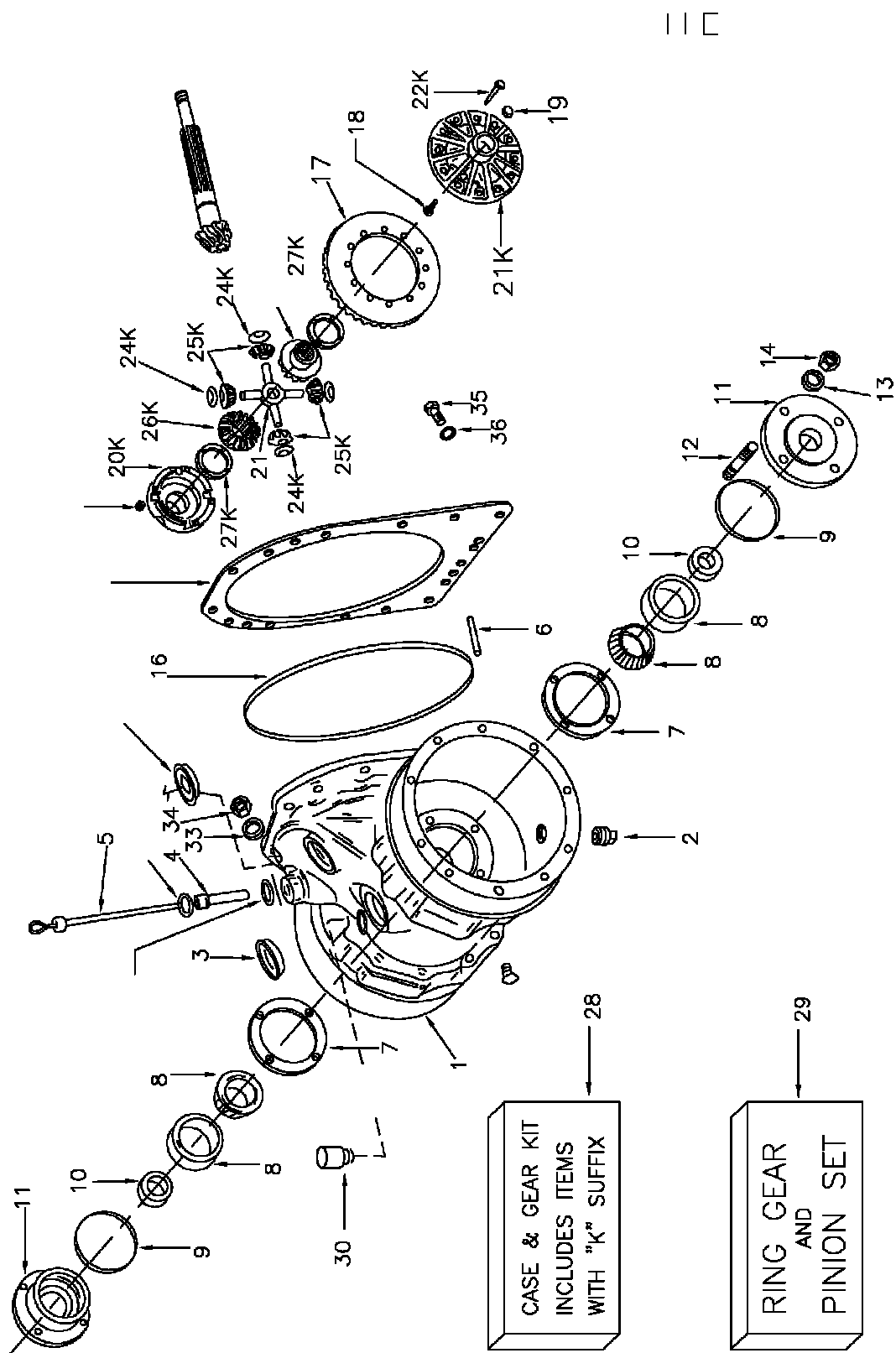
TORQUE CONVERTOR



TORQUE CONVERTOR

SR.NO.	ITEM CODE	PART DESCRIPTION	QTY.
1	97927781	TORQUE CONVERTOR	1
2	02000165	DRIVE PLATE (WET TYPE)	1
	02344872	DRIVE PLATE (DRY TYPE) WITH NUT	1
3	49259706	BOLT – M8 x 1.25p x 16L (10.9)	6
4	02000587	WASHER	6
5	02000178	DRIVE PLATE-REINFORCING	2
6	49282049	BOLT 3/8"UNF x 5/8"L	6
6	02011923	PLUG – TORQUE CONVERTER	1
7	02023340	LOCK PLATE	3
8	97958145	BUSH – TORQUE CONVERTER	1

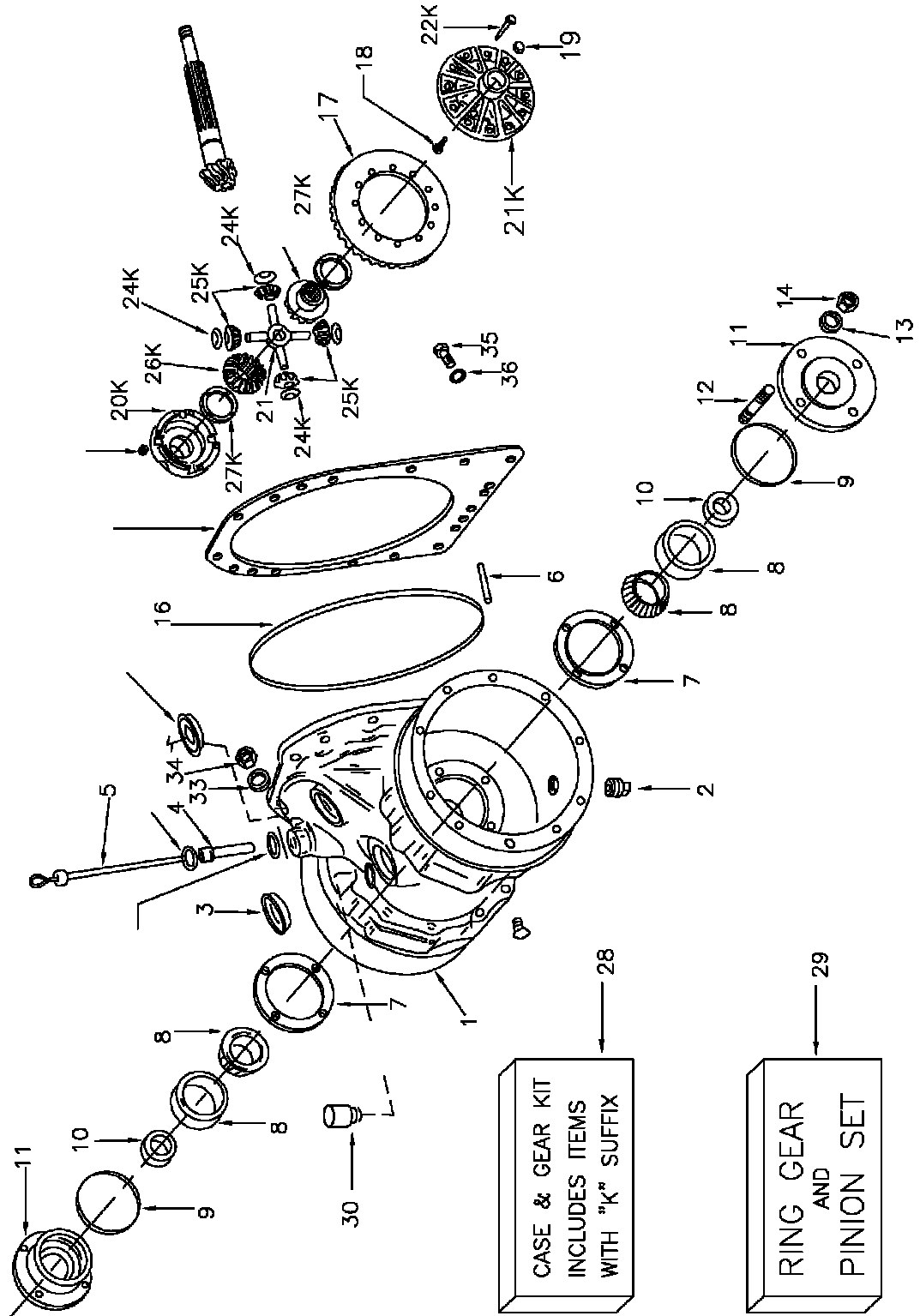
AXLE ADAPTOR & DIFFERENTIAL



AXLE ADAPTOR & DIFFERENTIAL

SR.NO.	ITEM CODE	PART DESCRIPTION	QTY.
1	02018849	ALXE ADAPTOR	1
2	02051109	DRAIN PLUG	1
3	02251527	PLUG-INSPECTION	1
4	02251543	TUBE- DIPSTICK	1
5	02251530	DIPSTICK	1
6	02014841	DOWEL PIN	1
7	02087498	SHIM-BEARING CARRIER 0.004"	AR
	02087500	SHIM-BEARING CARRIER 0.010"	AR
	02087513	SHIM-BEARING CARRIER 0.0075"	AR
8	54099946	CUP AND CONE-DIFFERENTIAL BEARING	2
9	56159109	O' RING	2
10	02009548	OIL SEAL	2
11	02087485	BEARING	2
12	02018711	STUD	8
13	53130181	LOCKWASHER -10MM	8
14	52414608	NUT -M10 x 1.25	8
15	02014320	SHIM - BEARING CARRIER	AR
	02014333	SHIM - BEARING CARRIER	AR
	02014346	SHIM - BEARING CARRIER	AR
	02014359	SHIM - BEARING CARRIER	AR
16	02009001	O' RING	1
17	**29	DIFFERENTIAL RING GEAR	
18	49261756	BOLT M10 x 1.25P L (10.9)- DIFF CASE TO	8
19	53130181	LOCKWASHER -10MM	8
20	**28	GEAR BODY DIFFERENTIAL	
21	02010434	SPIDER	1
22	49260001	BOLT-M8 x 1.25P x 50L (10.9)DIFF BODY	8
23	02039794	LOCK	4
24	02010450	THRUST WASHER	4
25	02010421	PINION GEAR	4
26	02010418	SIDE GEAR	2
27	02010447	THRUST WASHER	2
28	02140836	KIT -CASE AND GEAR	1
29	02057958	RING GEAR & PINION SET	1
30	02140849	VENT	1

AXLE ADAPTOR & DIFFERENTIAL



AXLE ADAPTOR & DIFFERENTIAL

CC-1.5/2/2.5/3

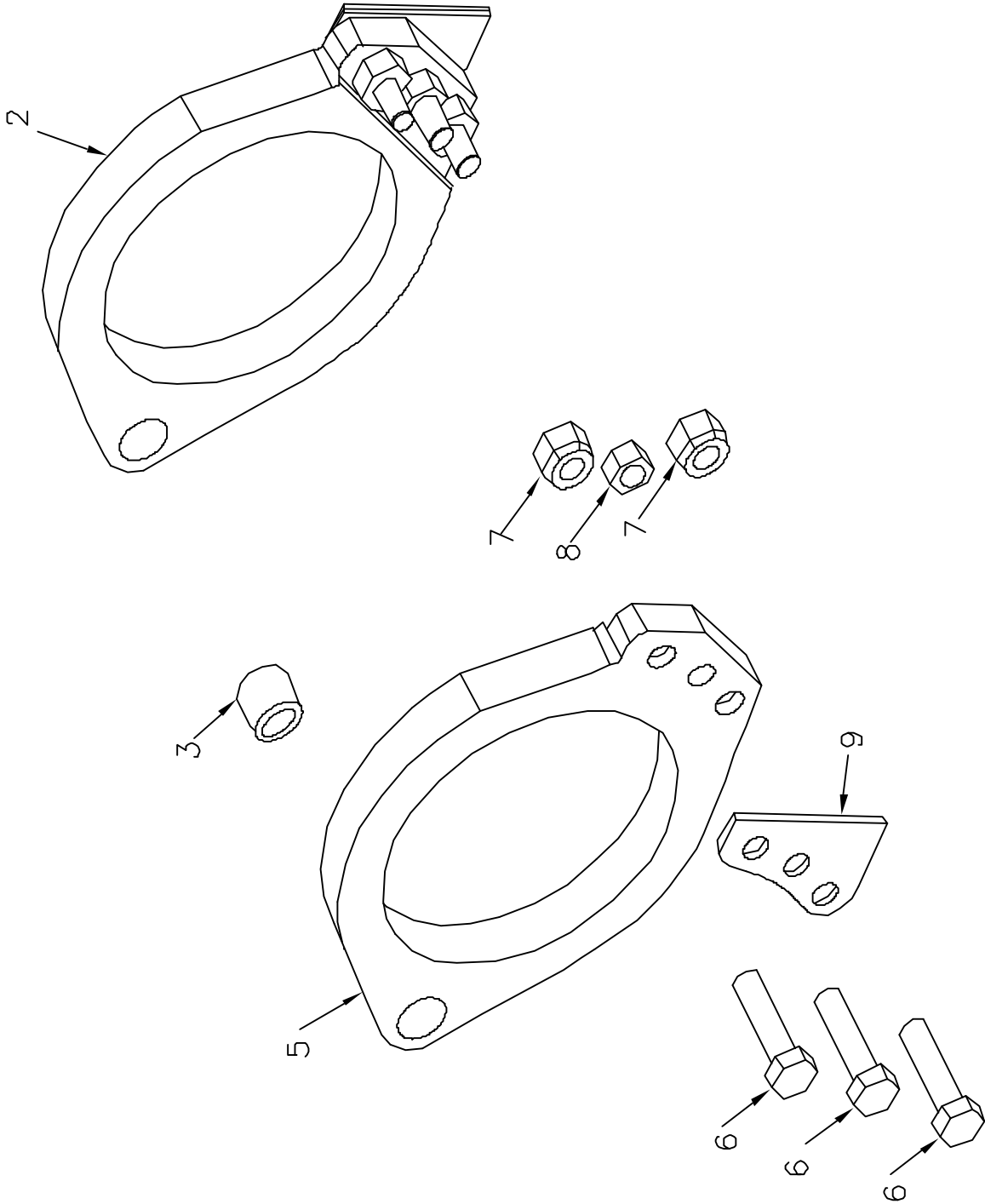
0213A

SR.NO.	ITEM CODE	PART DESCRIPTION	QTY.
31	02016621	DOWTY SEAL	1
32	02340340	PLUF-AXLE ADAPTOR	1
33	53130222	LOCKWASHER -12MM	14
34	52414707	NUT-M 12 x 1.5P (10)	14
35	49253353	BOLT -M12 X 1.75 x 35L(8.8)	1
36	53130222	LOCKWASHER -12MM	1
37	56158016	O' RING	1
38	02142588	DOWTY SEAL	1

AR= AS REQUIRED

* =NOT SOLD, USE ITEM NUMBER LISTED

AXLE MOUNTING PARTS

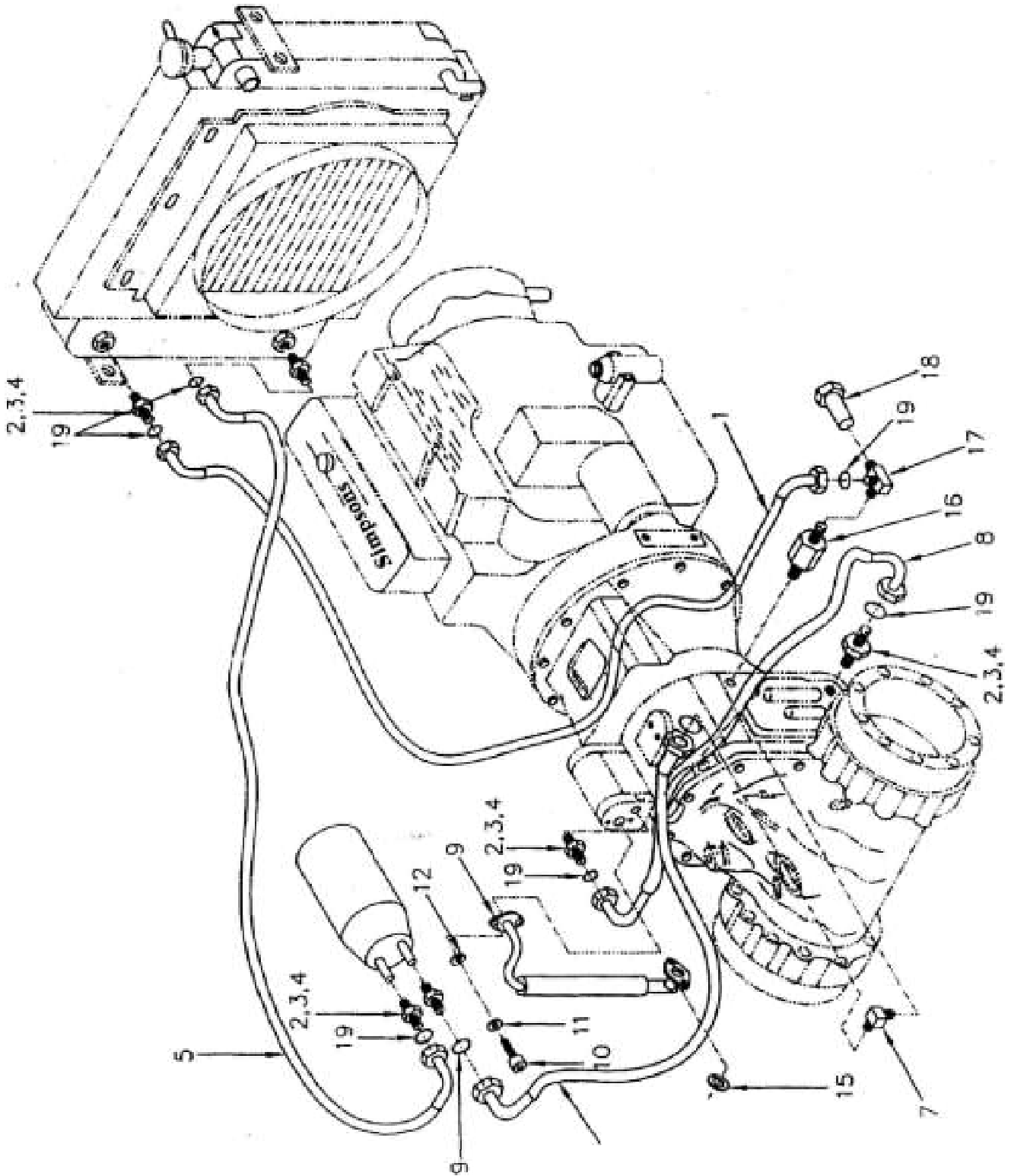


AXLE MOUNTING PARTS

SR.NO.	ITEM CODE	PART DESCRIPTION	QTY
1	02042981	ASSEMBLY –AXLE MTG. RING RH. (CONSISTS OF ITEMS 2 AND 3)	1
2	02042806	AXLE MOUNTING RING RH	1
3	02042978	BUSHING	2
4	02042994	ASSEMBLY –AXLE MTG. –RING LH	1
5	02042811	AXLE MOUNTING RING –LH	1
6	49942819	BOLT –M 24 x 3P x 90L (10.9)	6
7	02096492	NIT-M24 x 3P (SPECIAL)	4
8	49942822	NUT-M24 x 3P (10)	2
9	02020985	SHIM –3mm	AR
	02020860	5mm	AR



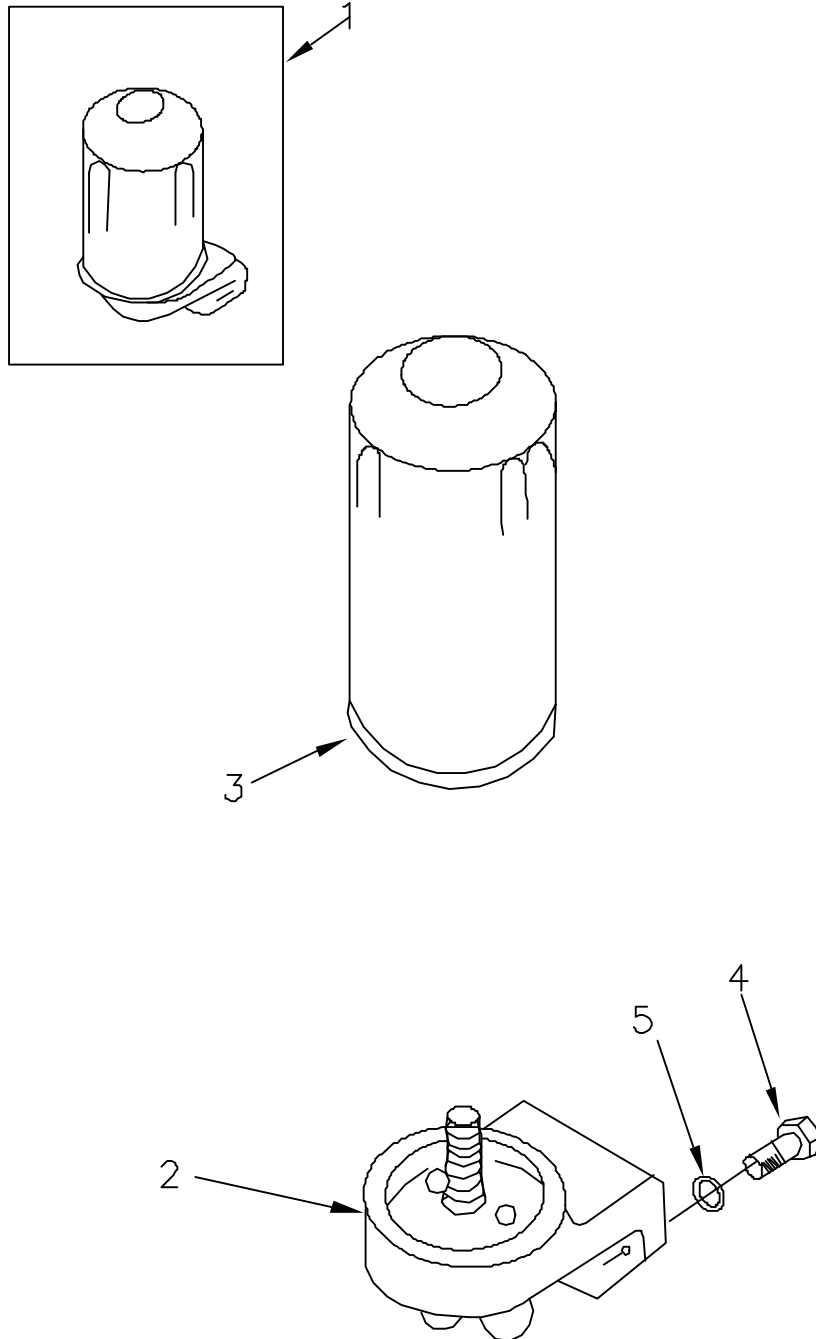
TRANSMISSION COOLING SYSTEM (S4)



NG LINES

SR.NO.	ITEM CODE	PART DESCRIPTION	QTY.
1	39550107	HOSE (TRANSMISSION TO RADIATOR)	1
2	39550111	CONNECTOR	6
3	39550112	'O' RING	6
4	39550113	'O' RING RETAINER	6
5	39550167	HOSE(RADIATOR TO TRANS OIL FILTER)	1
6	39550168	HOSE(TRANS, FILTER TO TRANSMISSION)	1
7	39550116	ELBOW	1
8	39550117	HOSE (TRANSMISSION TO TRANS, PUMP)	1
9	56902378	HOSE(TRANS, PUMP TO TRANSMISSION)	1
10	51173776	ALLEN BOLT	2
11	53130149	SPRING WASHER	2
12	53110316	PLAIN WASHER	2
13	49252257	BOLT (M10X 25)	2
14	53110332	WASHER	2
15	53130181	SPRING WASHER	2
16	39550109	CONNECTOR	1
17	39550110	'T' CONNECTOR	1
18	38200006	TEMPERATURE SENSOR	1
19	39550108	'O'RING HOSEFIT	8

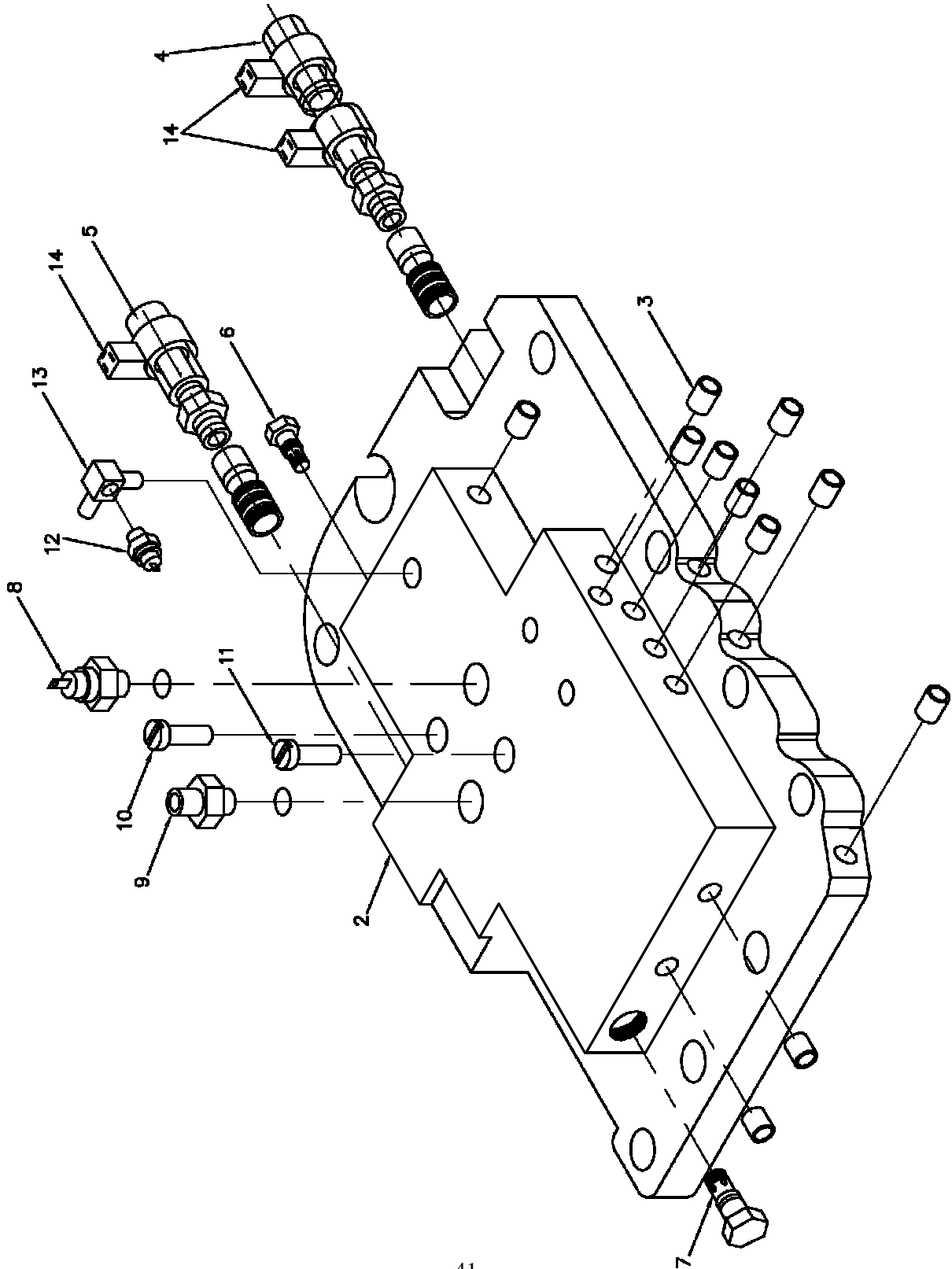
TRANSMISSION OIL FILTER



TRANSMISSION OIL FILTER

<u>SR.NO.</u>	<u>ITEM CODE</u>	<u>PART DESCRIPTION</u>	<u>QTY.</u>
1	02071044	OIL FILTER –TRANSMISSION	1
2	02071057	BASE-OIL FILTER	1
3	02012102	ELEMENT	1
4	49257968	BOLT –M8 X 1.25 X 25L	3
5	53130149	LOCKWASHER –8mm	3

TRANSMISSION CONTROL COVER ASSY (ELECTRICAL)

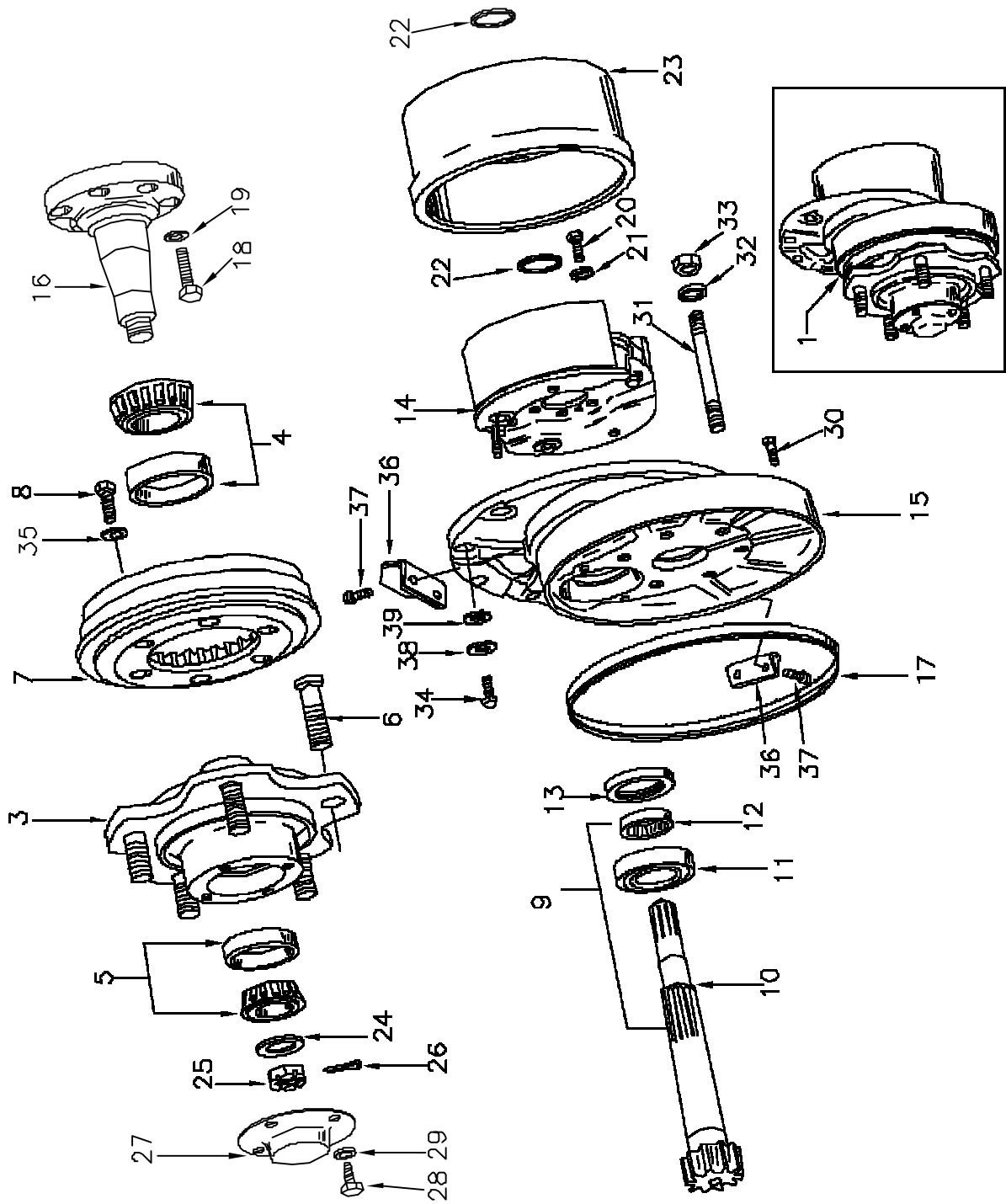


CONTROL COVER ASSY (ELECTRICAL)

SR.NO.	ITEM CODE	PART DESCRIPTION	QTY.
1	02424761	CONTROL COVER ASSLY	1
2	02353412	CONTROL COVER	1
3	02868611	PLUG	20
4	39100023	F/R CARTRIDGE VALVE WITH	1
5	39100024	H/L CARTRIDGE VALVE WITH SOI FNQID	1
6	39100025	PRESSURE RELIEF VALVE (150 PSI)	1
7	39100026	PRESSURE RELIEF VALVE (100 PSI)	1
8	38200005	PRESSURE SWITCH	1
9	02032427	CONNECTOR	1
10	02346623	ORIFICE ADAPTOR (F/R)	1
11	02346636	ORIFICE ADAPTOR (TORQUE	1
12	03820006	TEMPRATURE SWITCH	1
13	02427999	ELBOW – TEMPRATURE SWITCH	1
14	39100027	D.C. COIL	3
15	02355119	SEAL KIT	1
16	02355122	SEAL KIT	1

DRIVE AXLE & WHEELS

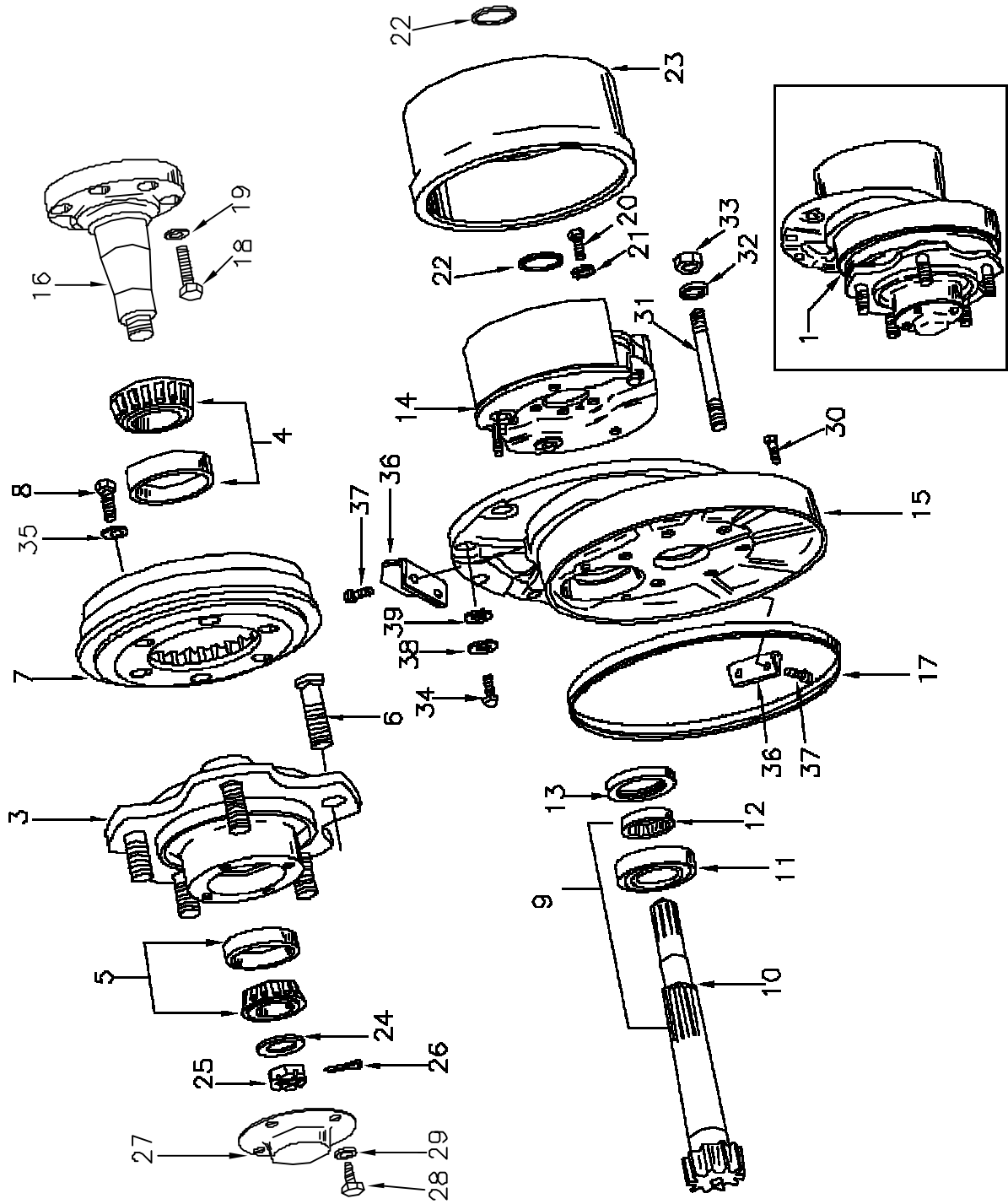
AXLE END ASSEMBLY – SINGLE DRIVE WHEEL



AXLE END ASSEMBLY –SINGLE DRIVE

SR.NO.	ITEM CODE	PART DESCRIPTION	QTY.
1	02356314	AXLE END ASSEMBLY-RH	1
	02356327	AXLE END ASSEMBLY-LH	1
2	02363202	HUB ASSEMBLY (CONSISTS OF 3 TO 6)	1
3	02356059	HUB	1
4	54099649	CUP & CONE	1
5	54013649	CUP & CONE	1
6	02066626	BOLT WHEEL MOUNTING	5
7	02044336	RING GEAR	1
8	49265709	SCREW -M12 X 1.75P X 30L(10.9)	6
9	02001935	PINION SHAFT ASSEMBLY (CONSISTS OF 10 & 12)	1 1
10	02000040	PINION SHAFT	1
11	54007534	BEARING –PINION SHAFT	1
12	02001878	SLEEVE –OIL SEAL	1
13	02001894	OIL SEAL	1
14	02039723	BRAKE ASSEMBLY	1
15	02155902	SPINDLE SUPPORT	1
16	02356075	SPINDLE	1
17	02073697	OIL SEAL	1
18	49268809	CAP SCREW- M14 X 2P X 40L (10.9)	6
19	53130264	WASHER 14mm	6
20	49265709	SCREW –M12 X 1.75 X 30L (10.9)	6
21	53130222	LOCKWASHER –12mm	6
22	53502030	SNAP RING	2
23	02000024	BRAKE DRUM	1
25	02356202	NUT WITH WASHER –SPINDLE	1
26	53360995	COTTER PIN –6.3 X 80mm	1
27	02012920	CAP- HUB	1
28	49252257	SCREW -M10 X 1.5P X 25(8.58)	4
29	53130181	LOCKWASHER –10MM	4
30	02001852	VENT	1
31	02002354	STUD- AXLE TP TRANSMISSION	5
32	53130222	LOCKWASHER-12mm	5
33	52414707	NUT	5
34	49253353	BOLT –M12 X 1.75 X 35L (8.8)	5
35	53130222	LOCKWASHER –12MM	5

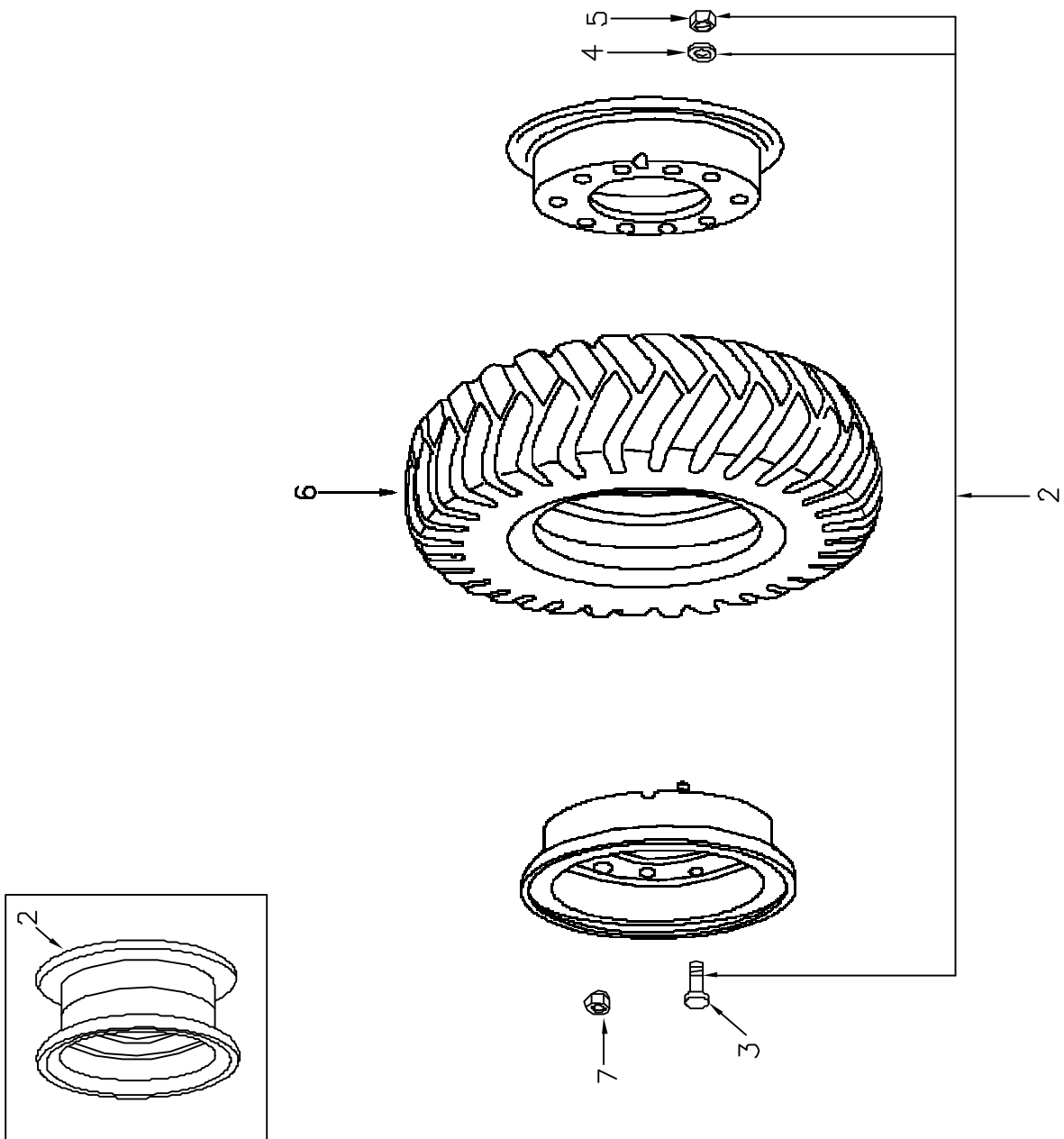
AXLE END ASSEMBLY – SINGLE DRIVE WHEEL



AXLE END ASSEMBLY –SINGLE DRIVE

SR.NO.	ITEM CODE	PART DESCRIPTION	QTY.
36	02067186	DUST COVER	1
37	49510683	SCREW –M5 X 0.59 X 12L(4.8)	2
38	53110358	PLAIN WASHER –12MM	5
39	53130222	SPRING WASHER –12MM	6

DRIVE WHEEL – SINGLE SOLID

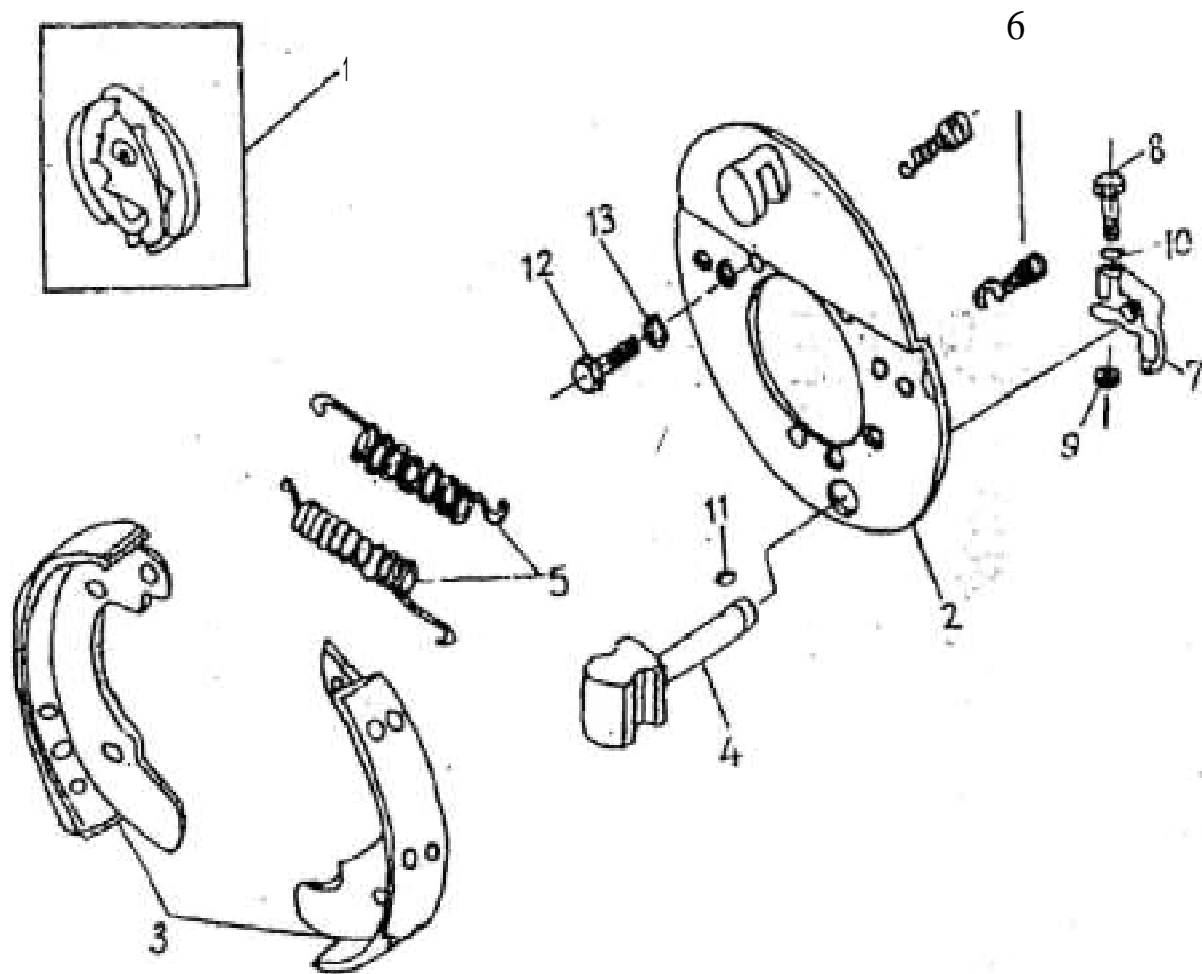


DRIVE WHEEL – SINGLE SOLID TYRE

SR.NO.	ITEM CODE	PART DESCRIPTION	QTY.
1	02427522	DRIVE WHEEL ASSLY. WITH TYRE	2
2	35400003	DRIVE WHEEL ASSLY WITHOUT TYRE 8.15”X15”	2
3	02355739	BOLT – WHEEL FLANGE	10
4	53130347	LOCKWASHER 20MM	10
5	02355742	NUT –M20 X 1.5P	10
6	02138039	TYRE 28”	2
7	02066613	NUT- WHEEL MOUNTING	10

BRAKE ASSEMBLY

PARKING BRAKE



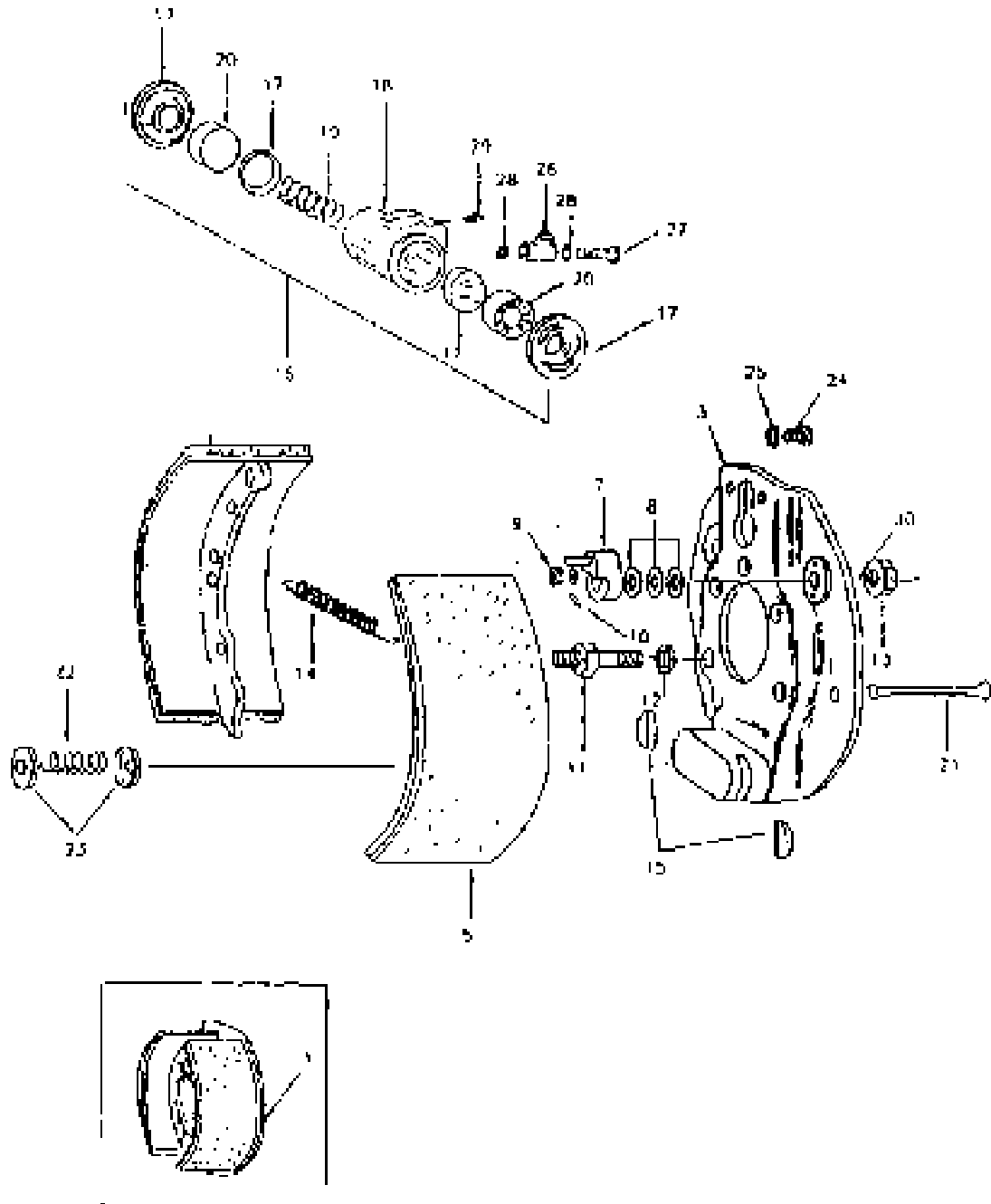
PARKING BRAKE

CC-2/2.5/3

0401A

SR.NO.	ITEM CODE	PART DESCRIPTION	QTY.
1	02020592	PARKING BRAKE ASEMBLY	1
2	02020604	BACK PLATE	1
3	02050550	SHOE AND LINING ASSEMBLY	2
4	02020646	CAM	1
5	02014854	SPRING - SHOE RETURN	2
6	02014867	SPRING	2
7	02020659	LEVER ARM	1
8	49250352	BOLT M6 x 1.0P x 35 L	1
9	52810149	NYLOC NUT M6 x 1.0P	1
10	53110275	WASHER - 6mm	1
11	02878641	WOODRUFF KEY	1
12	49251205	BOLT - M8 x 1.25P x 20 L (8.8)	6
13	53130149	LOCKWASHER - 8 mm	6

WHEEL BRAKE ASSEMBLY



WHEEL BRAKE ASSEMBLY

CC-2/2.5/3

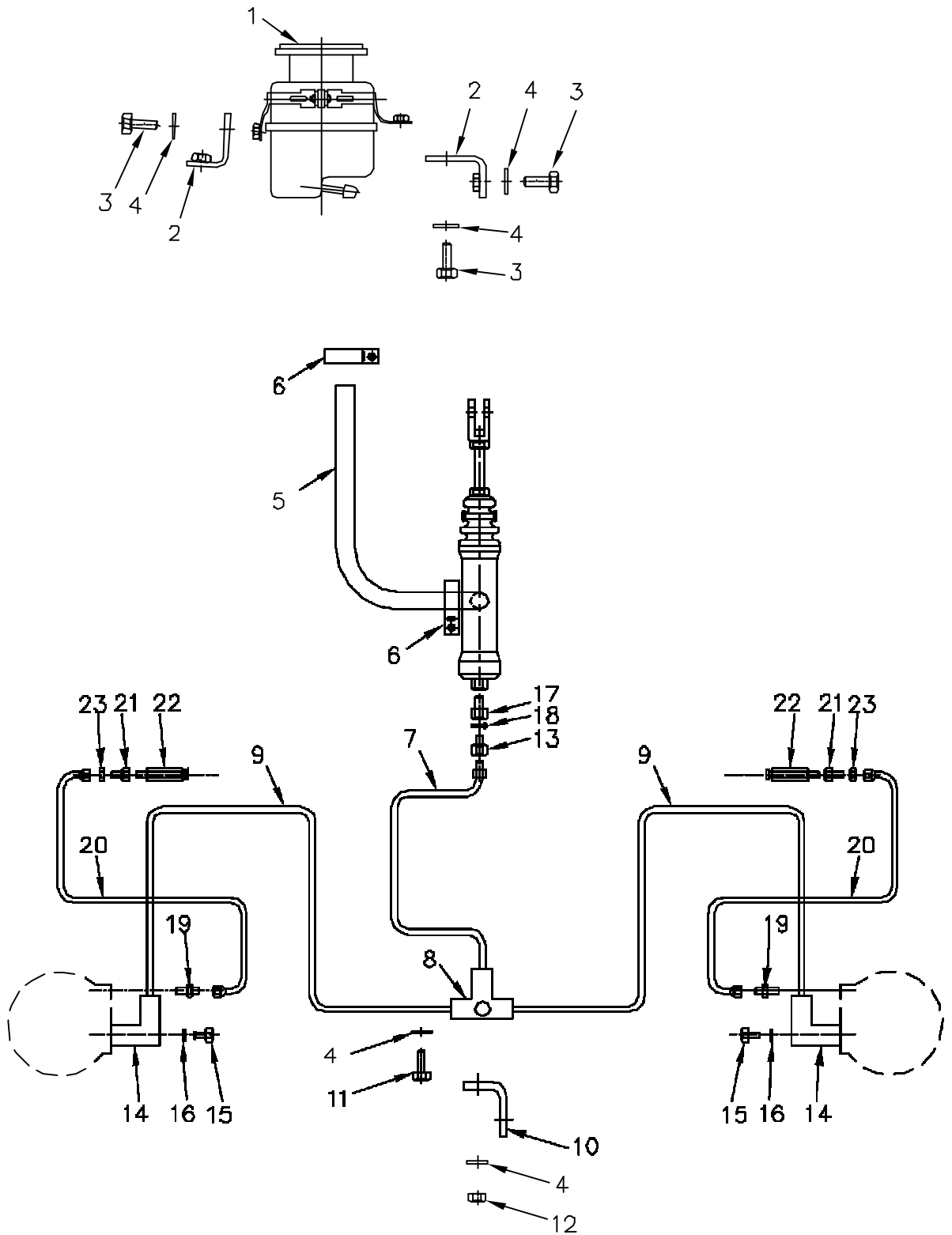
0402A

SR.NO.	ITEM CODE	PART DESCRIPTION	QTY.
1	02039723	BRAKE ASEMBLY	1
2	02042912	BRAKE DISK ASEMBLY (CONSISTS OF ITEMS 3&4)	1
3	02024730	BRAKE DISC	1
4	02024909	ANCHOR BLOCK (NOT SOLD SEPARATELY)	1
5	59176938	BRAKE SHOE ASSEMBLY	2
6	02018612	ADJUSTER ASSEMBLY (CONSISTS OF ITEM 7 TO 11)	2
7	02018625	ADJUSTER ARM	2
8	02021586	WASHER	10
9	52414653	NUT M10 x 1.5P	2
10	02871882	PIN - GROOVE	2
11	02018638	STUD - ADJUSTER	2
12	53110332	WASHER 10mm	4
13	52414608	NUT M10 x 1.25P	2
14	02025670	SPRING - BRAKE SHOE RETURN	2
15	02025302	KEY - SHOE ANCHER	2
16	02570802	WHEEL CYLINDER	1
17	02570831	REPAIR KIT - WHEEL CYLINDER	1
18	**16	BODY - WHEEL CYLINDER	1
19	**16	SPRING	1
20	**16	PISTON - WHEEL CYLINDER	1
21	02025315	GUIDE PIN	2
22	02025328	SPRING - GUIDE PIN	2
23	02025331	CUP - SPRING RETAINER	4
24	49250183	SCREW M6 X 1.0P X 18L	2
25	53130107	LOCKWASHER - 6MM	2
26	02024727	TUBE FITTING	1
27	02039710	BOLT FITTING	1
28	53175755	GASKET - FITTING	2
29	02050483	BLEEDER SCREW	1
30	53130181	LOCKWASHER - 10MM	4

QUANTITY OF ITEMS 2 TO 15 AND 21 TO 30 IS PER ASSEMBLY

** = NOT SOLD USE ITEM NUMBER LISTED

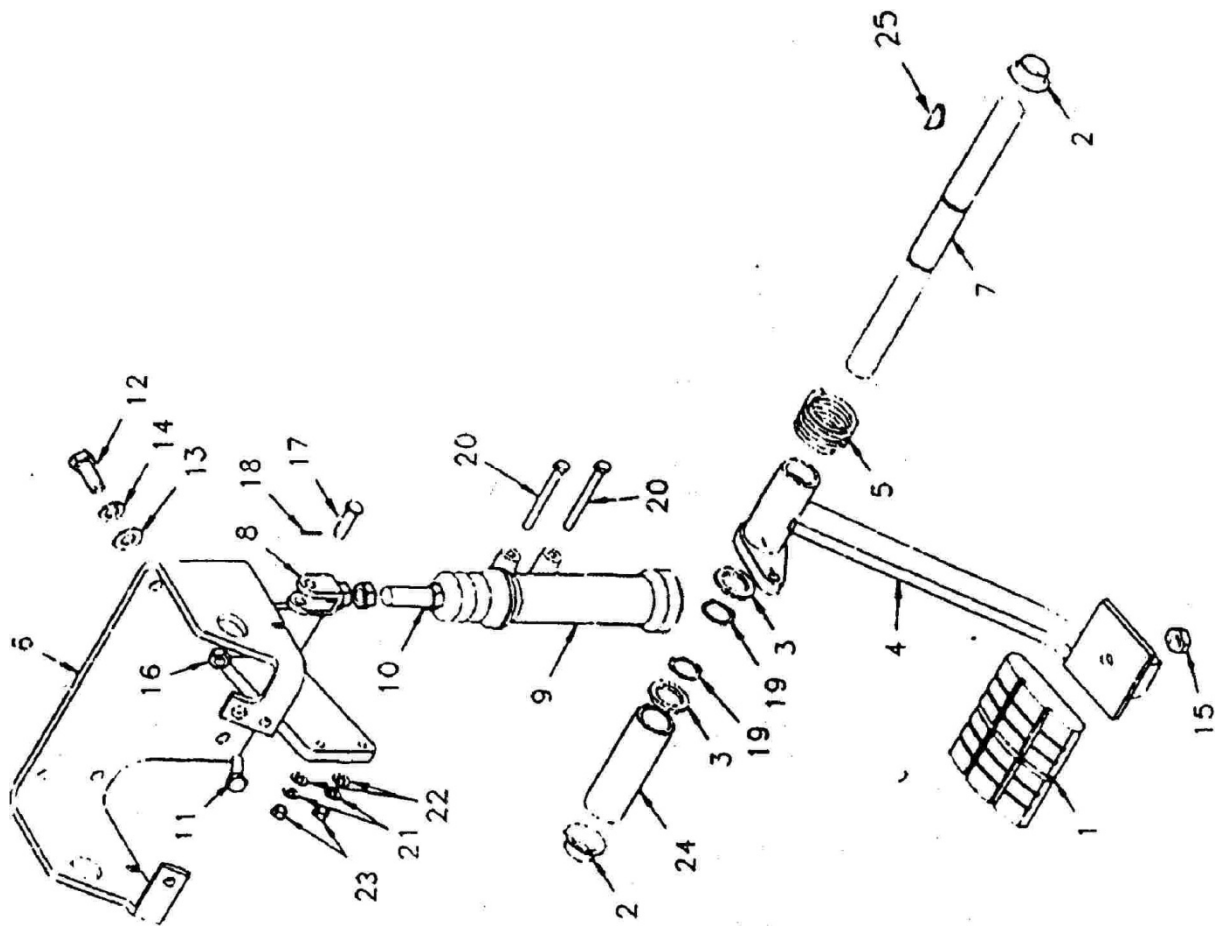
HYDRAULIC BRAKE LINE (W/O INCHING)



HYDRAULIC BRAKE LINES (WITHOUT INCHING)

SR.NO.	ITEM CODE	PART DESCRIPTION	QTY.
1	02353735	RESERVIOR BOTTLE	1
2	02353384	BRKT - BRAKE OIL BOTTLE	2
3	49250208	BOLT M6 x 20 L	2
4	53130107	WASHER - SPRING 6 MM	4
5	39500029	HOSE, SAE100R6 - 3/8" I.D.	1
6	60900002	HOSE CLIPS	2
7	02032513	BUNDY PIPE MASTER CYLD. TO TEE	1
8	02570688	TEE - 4 WAY	1
9	02032498	BRAKE LINE - TEE TO WHEEL CYLD.	2
10	02004770	BRACKET	1
11	49250307	BOLT M6 x 30 L	1
12	52414356	NUT M6 x 1 P	1
13	37110006	TLPV - CHECK VALVE	1
14	02024727	TUBE FITTER	2
15	02024714	BOLT	2
16	02007669	COPPER WASHER	2
17	02353454	CONNECTOR BRAKE CYLD. TO TLPV	1
18	37110007	ALLUMINIUM WASHER 12 x 17 x 1.5	1
19	02356145	CONNECTOR TO WHEEL CYLD.	2
20	02007317	BUNDY TUBE	2
21	02172763	CONNECTOR TO BLEEDER	2
22	02050463	BLEEDER NIPPLE	2
23	52414752	NUT M12 x 1.75P	2

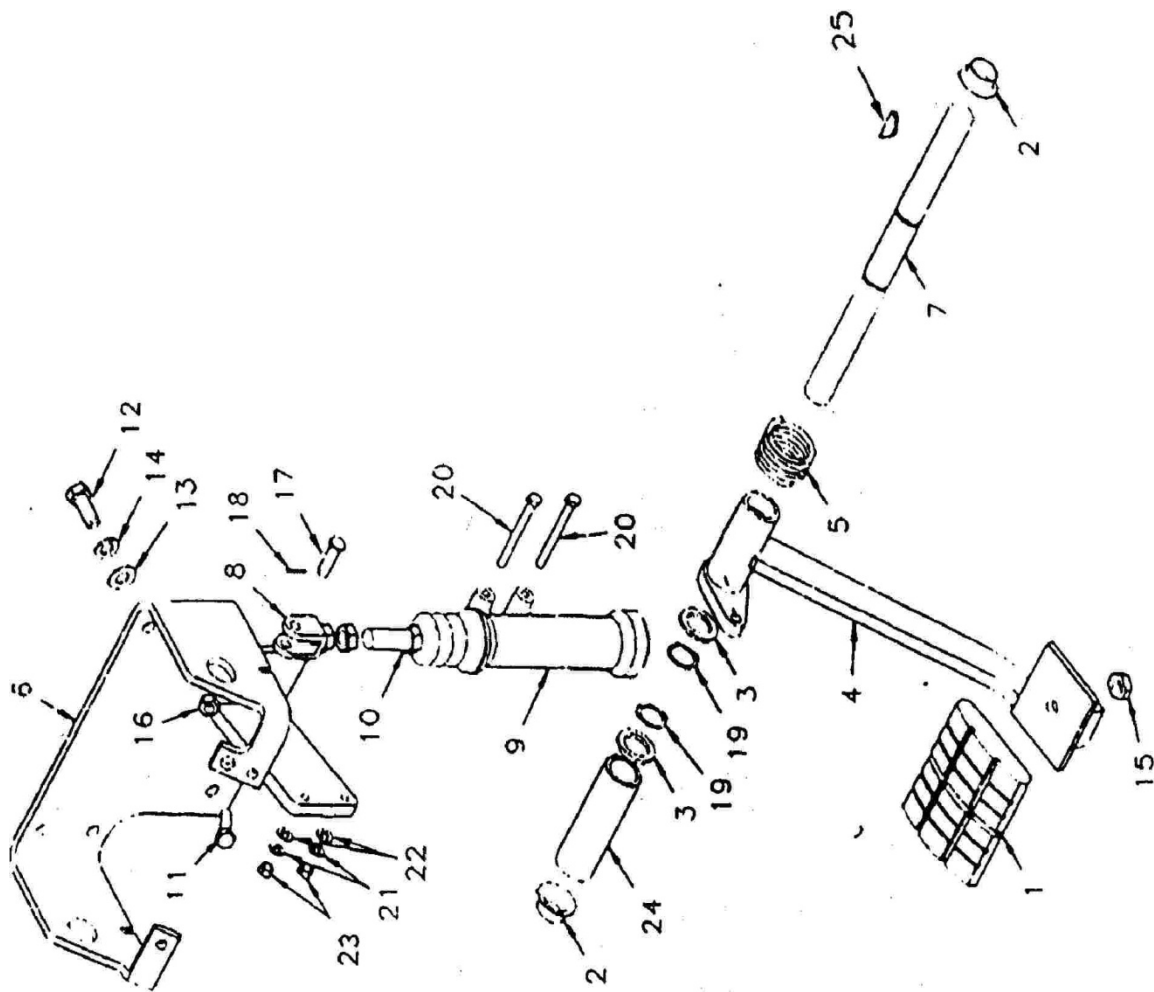
BRAKE PEDAL MOUNTING



BRAKE PEDAL AND MOUNTING

SR.NO.	ITEM CODE	PART DESCRIPTION	QTY.
1	02354477	PAD - PEDAL	1
2	02354266	BEARING - DRY	2
3	02354295	WASHER	2
4	02420200	PEDAL - BRAKE	1
5	02354480	SPRING - BRAKE	1
6	02421319	BRACKET - BRAKE	1
7	02354493	ROD BRAKE	1
8	02422402	CLEVIS	1
9	37100012	MASTER CYLINDER - BRAKE	1
10	02421351	PUSH ROD - BRAKE	1
11	49251250	BOLT - HEX M8 x 1.25 x 25	1
24	49252257	BOLT - HEX M10 x 1.5 x 25	6
25	53110332	PLAIN WASHER ID 10mm	6
26	53130181	SPRING WASHER ID 10mm	6
27	52400625	NUT M10 x 1.5	1
28	52414509	NUT M6 x 1.25	1
29	02422840	PIN - CLEVIS	1
30	53365172	COTTER PIN 1/6 x 3/4	1
31	53501806	EXTERNAL CIRCLIP - 20mm	2
32	60200007	BOLT - M6 x 1 x 60	2
33	53130107	SPRING WASHER - ID 6mm	2
34	53110275	PLAIN WASHER - ID 6mm	2
35	52414356	NUT - M6 x 1	2
36	02421504	SPACER - BRAKE ASSLY.	1
37	02878641	WOODRUFF KEY	1

BRAKE PEDAL MOUNTING

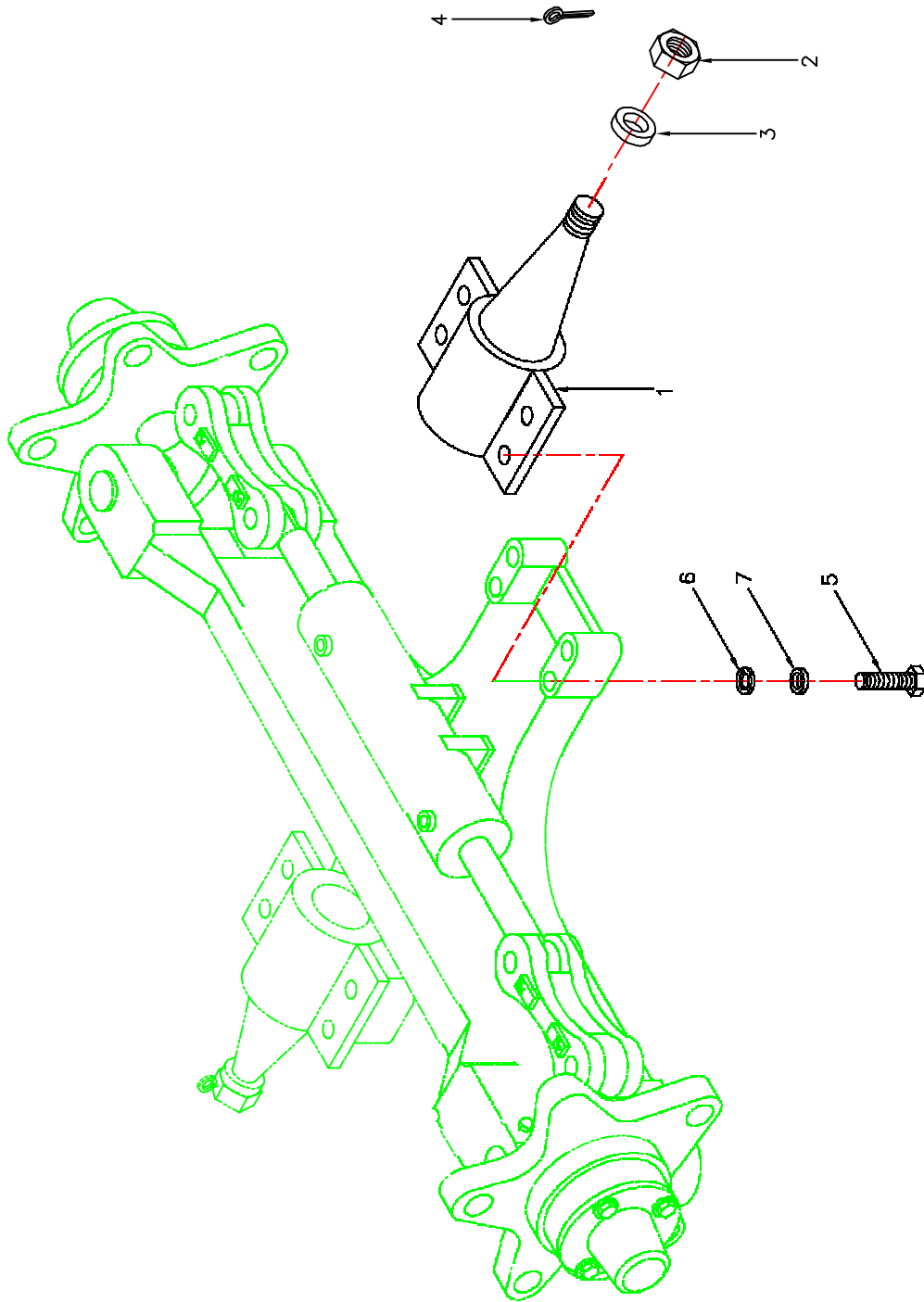


BRAKE PEDAL AND MOUNTING

SR.NO.	ITEM CODE	PART DESCRIPTION	QTY.
1	02354477	PAD - PEDAL	1
2	02354266	BEARING - DRY	2
3	02354295	WASHER	2
4	02420200	PEDAL - BRAKE	1
5	02354480	SPRING - BRAKE	1
6	02421319	BRACKET - BRAKE	1
7	02354493	ROD BRAKE	1
8	02422402	CLEVIS	1
9	37100012	MASTER CYLINDER - BRAKE	1
10	02421351	PUSH ROD - BRAKE	1
11	49251250	BOLT - HEX M8 x 1.25 x 25	1
38	49252257	BOLT - HEX M10 x 1.5 x 25	6
39	53110332	PLAIN WASHER ID 10mm	6
40	53130181	SPRING WASHER ID 10mm	6
41	52400625	NUT M10 x 1.5	1
42	52414509	NUT M6 x 1.25	1
43	02422840	PIN - CLEVIS	1
44	53365172	COTTER PIN 1/6 x 3/4	1
45	53501806	EXTERNAL CIRCLIP - 20mm	2
46	60200007	BOLT - M6 x 1 x 60	2
47	53130107	SPRING WASHER - ID 6mm	2
48	53110275	PLAIN WASHER - ID 6mm	2
49	52414356	NUT - M6 x 1	2
50	02421504	SPACER - BRAKE ASSLY.	1
51	02878641	WOODRUFF KEY	1

STEERING SYSTEM

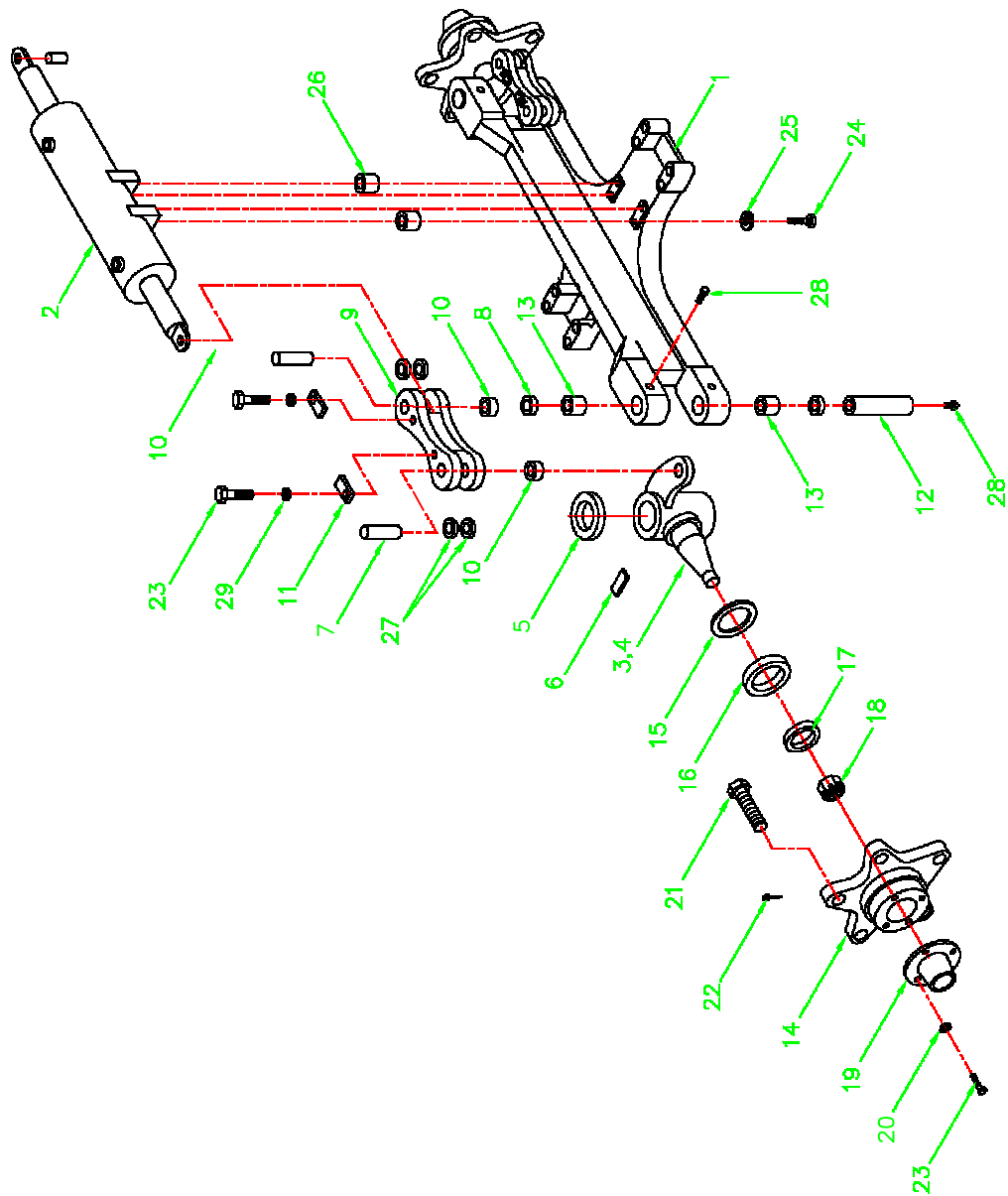
STEERING AXLE MOUNTING



STEERING AXLE MOUNTING (02379403)**CC-2/2.5/3****0501A**

SR.NO.	ITEM CODE	PART DESCRIPTION	QTY.
1	02424592	SILENT BLOCK ASSY	2
2	02355049	NUT - CASTLE	2
3	02355007	WASHER-PLAIN ID =22mm	2
4	53360812	PIN -SPLIT 5X 50mm	2
5	49266300	BOLT - HEX M12 X 1.75P X 90L	8
6	53130222	WASHER-SPRING ID = 12mm	8
7	53110358	WASHER-PLAIN ID=12mm	8

STEERING AXLE-02375773



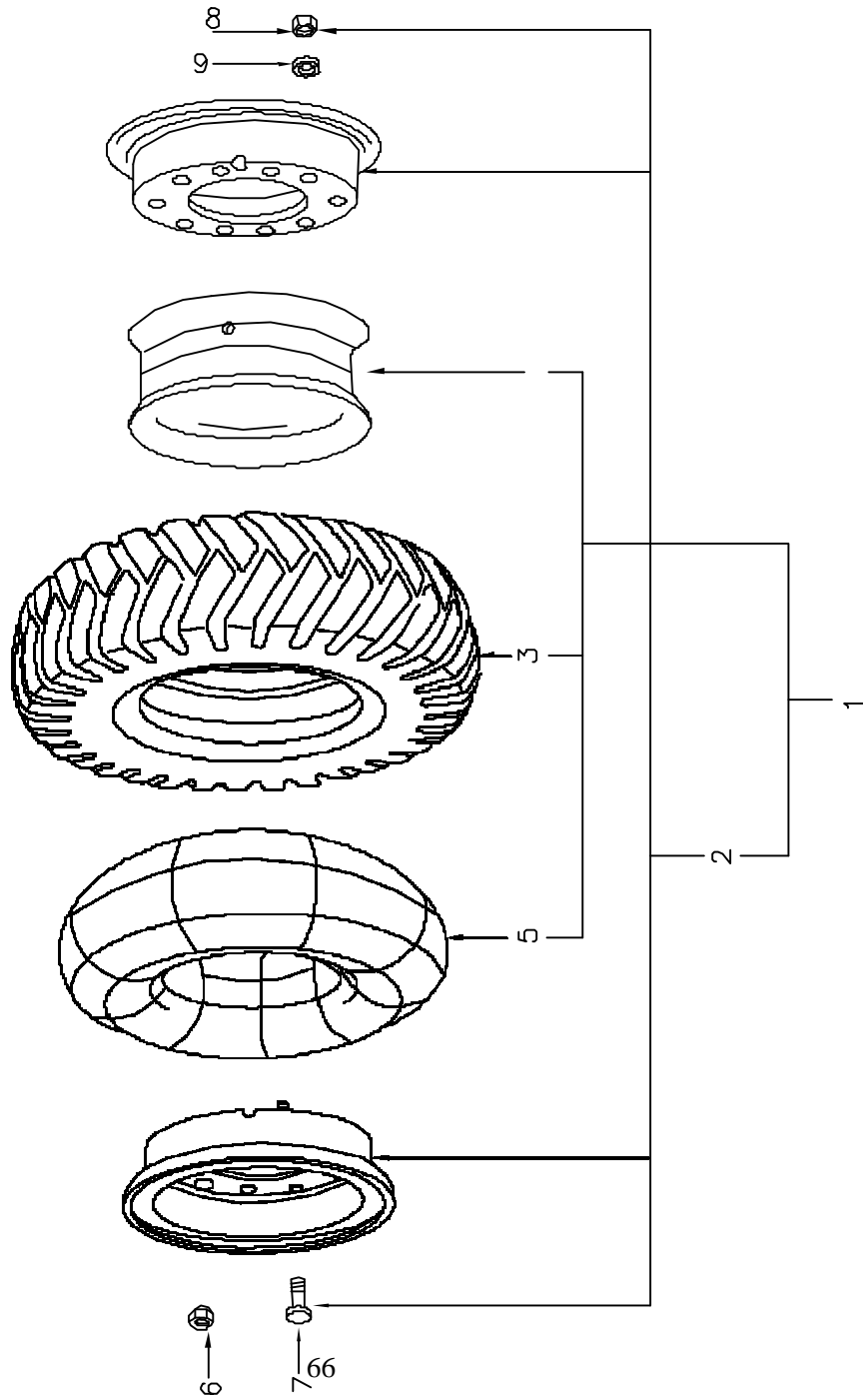
STEERING AXLE-02375773 (CAST AXLE)

CC-2/2.5/3

0502C

SR.NO.	ITEM CODE	PART DESCRIPTION	QTY.
1	02375658	STEER AXLE	1
2	59172901	STEER CYLINDER ASSEMBLY	1
3	02375687	KNUCKLE - LH	1
4	02375674	KNUCKLE - RH	1
5	54101999	THRUST BEARING (T-138)	2
6	02002606	DRAW KEY (HEAVY) OR	2
	02002619	DRAW KEY (LIGHT)	
7	02242060	PIVOT -PIN	4
8	02234568	EXPANSION PLUG	4
9	02251150	LINK – STEERING	2
10	02245991	BUSH – LINK	4
11	02249902	LOCK PLATE	4
12	02125181	PIN KNUCKLE	2
13	02234513	BUSH TOP & BOTTOM	4
14	02379841	HUB-STEERING	2
15	02362784	SEAL- OIL	2
16	55300011	BEARING	2
17	55300010	BEARING	2
18	02362755	NUT WITH COLLAR – (M 33 X 2)	2
19	02362742	CAP - HUB	2
20	53130107	SPRING WASHER – ID = 6mm	8
21	02355739	BOLT – WHEEL MOUNTING	10
22	53360812	COTTER PIN 5 X 50	2
23	49250183	BOLT –M6 X 18	12
24	49255609	BOLT –M16X 60	4
25	53130305	SPRING WASHER – ID = 16mm	4
26	02342823	HOLLOW DOWEL	2
27	02234571	SHIM – KNUCKLE	AR
28	59500168	GREASE NIPPLE – M10X1	8
29	53110275	PLAIN WASHER	4
30	59184539	SEAL KIT- LATERAL STEERING CYLINDER ASSEMBLY	1

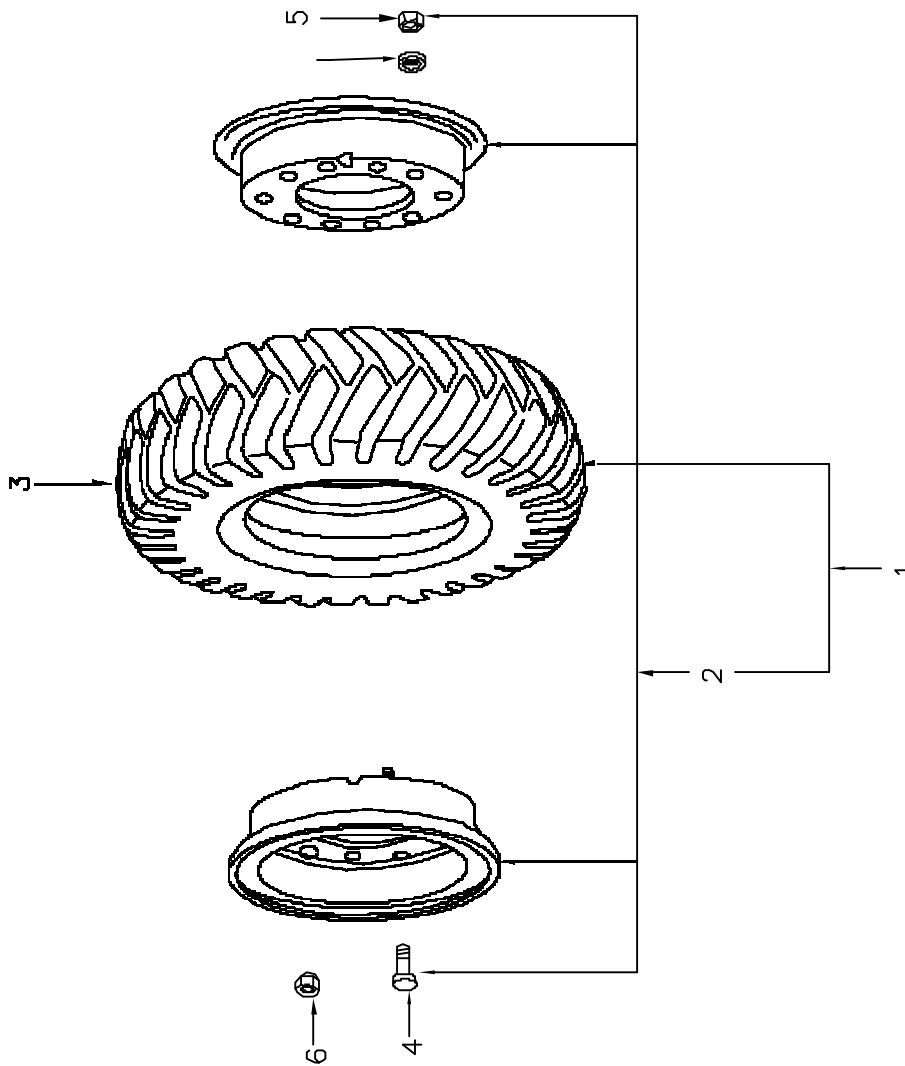
STEER WHEEL PNEUMATIC



STEER WHEEL PNEUMATIC

SR.NO.	ITEM CODE	PART DESCRIPTION	QTY.
1	02391300	WHEEL ASSLY.	2
2	35400013	.SPLIT RIM	1
3	02000417	.TYRE	1
4	02400420	.FLAP	1
5	02001188	.TUBE	1
6	02355742	NUT	5
7	02427506	BOLT1/2" UNFX40LG	5
8	02427481	NUT 1/2" UNF	5
9	53136240	WASHER	5

STEER WHEEL SOLID



CC-2/2.5/3

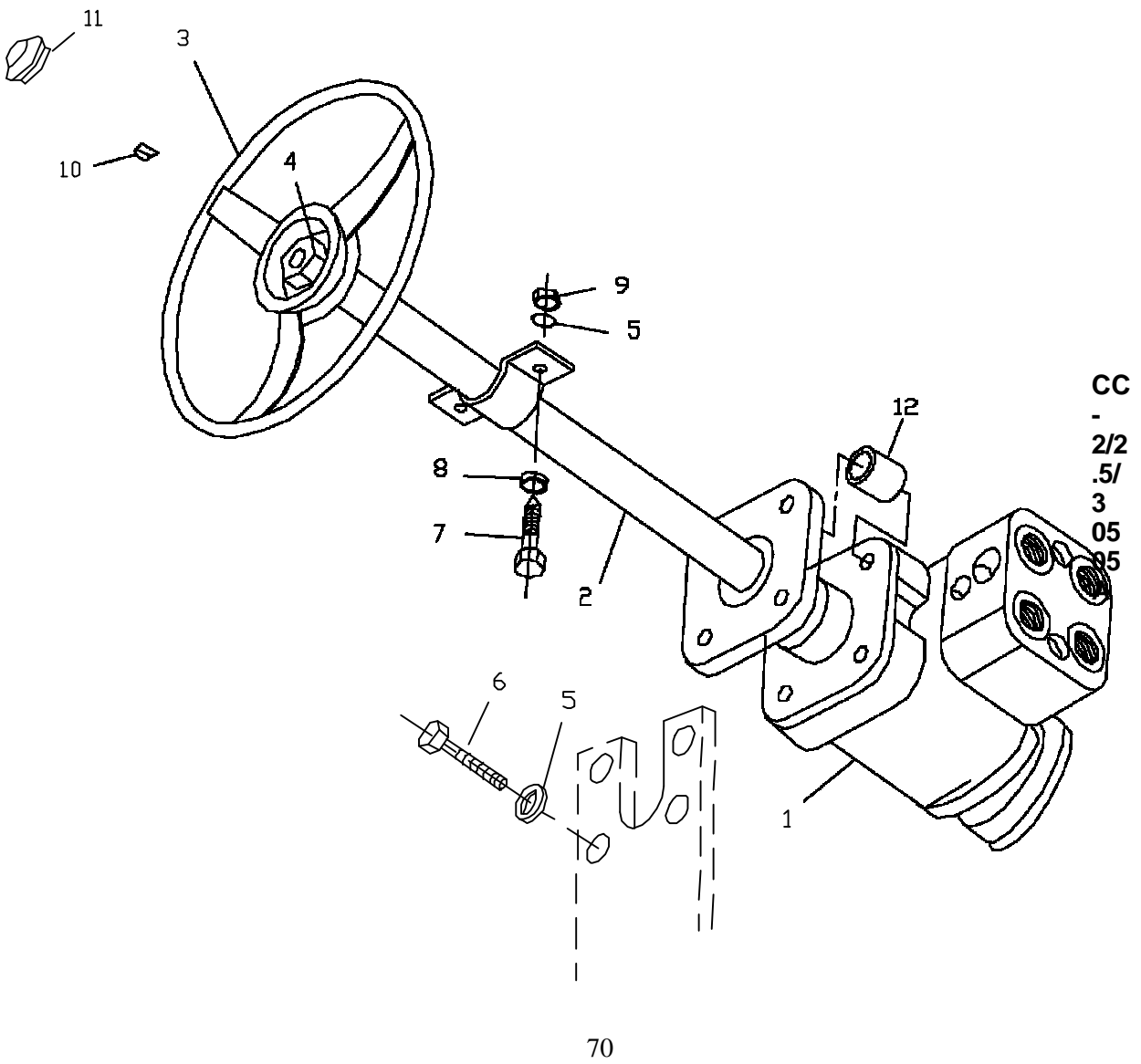
STEER WHEEL SOLID

0504A

SR.NO.	ITEM CODE	PART DESCRIPTION	QTY.
1	02391298	WHEEL ASSLY.	2
2	35400013	SPLIT RIM	1
3	02015497	TYRE	1
4	02427506	BOLT ½" UNF X 40 LONG	5
5	02427481	NUT ½" UNF	5
6	02355742	NUT	5
7	53136240	WASHER	5

STEERING COLUMN

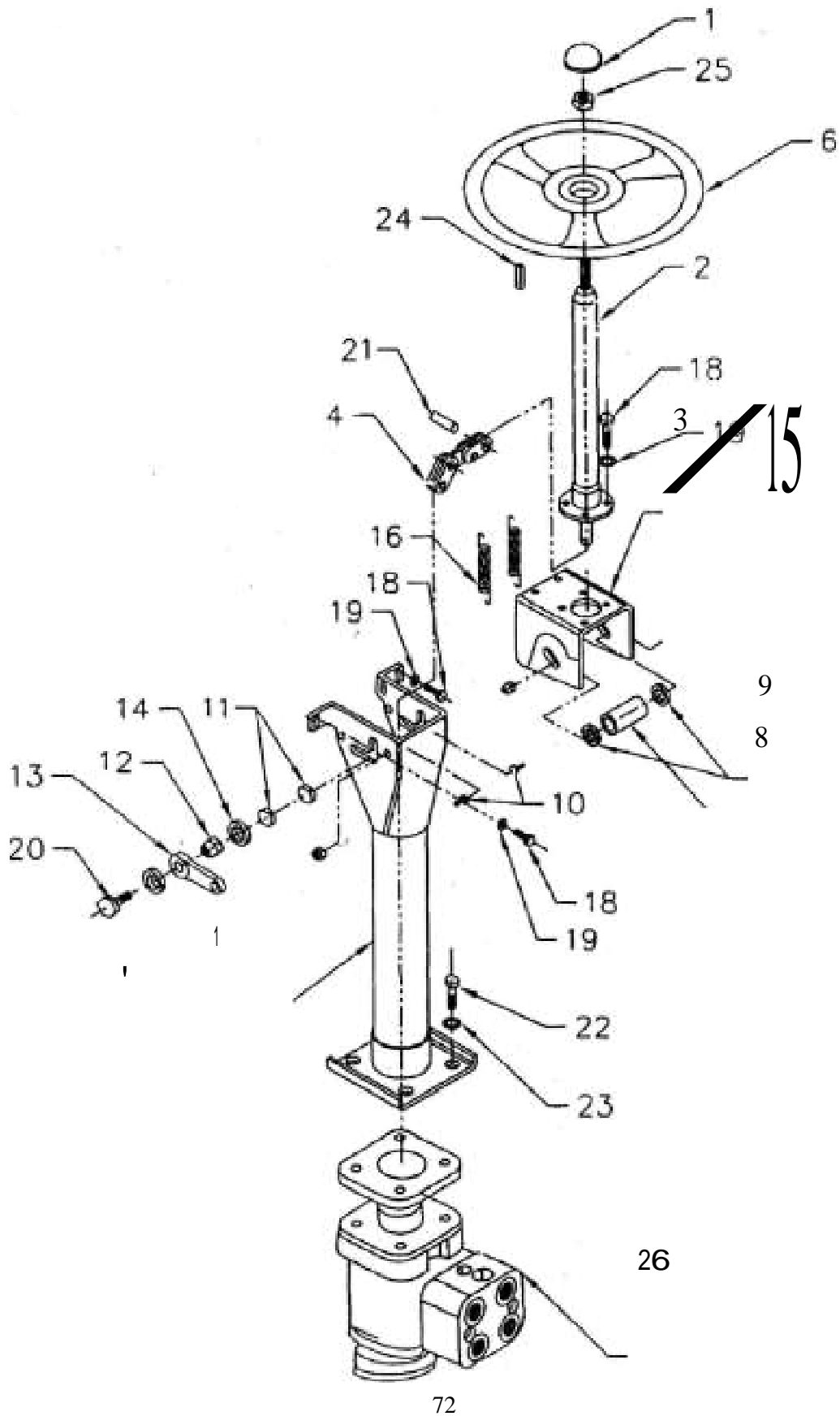
SEAL KIT — 13



SR.NO.	ITEM CODE	PART DESCRIPTION	QTY.
1	39300012	STEERING UNIT – SLOT TYPE	1
	39300007	STEERING UNIT –SPLINE TYPE	1
2	02428558	STEERING COLUMN	1
3	86310001	HAND WHEEL	1
4	52510421	NUT – M18 X 1.5P	1
5	53130181	LOCK WASHER-10mm	6
6	49252455	BOLT M10X 1.5PX45L	4
7	49252257	BOLT M10 X1.5PX 25L	2
8	53110332	WASHER – 10mm	2
9	52414653	NUT M10 X 1.5P	2
10	02878571	KEY	1
11	02007359	CAP	2
12	02351690	SPACER	4
13	02351926	SEALKIT	1

NOTE : STEERING UNIT NOT SERVICABLE
 SPARES OF ITEM 39200012/39300007 NOT SOLD SEPERATELY

TILTABLE STEERING COLUMN



STEERING COLUMN (TILTABLE)

CC-2/2.5/3

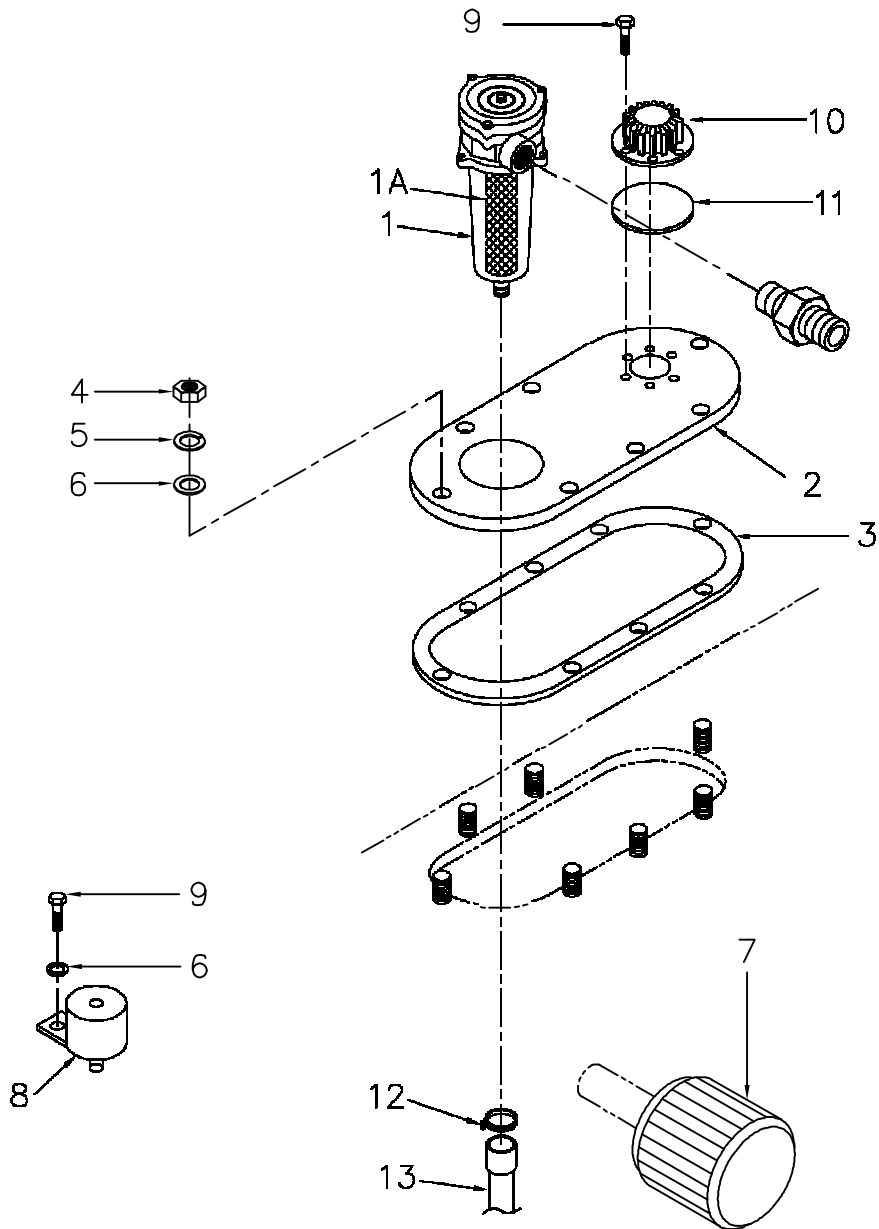
0505A

SR.NO.	ITEM CODE	PART DESCRIPTION	QTY.
1	02427225	STEERING BRACKET – LOWER ASSY	1
2	02345163	STEERING BRACKET – UPPER ASSY	1
3	02346144	STEERING COLUMN GUIDE ASSY	1
4	38950001	UNIVERSAL JOINT DJ-6	1
5	02347858	INSTRUMENT PANEL ASSY TILT STEERING ASSEMBLY	1
6	02178921	STEERING WHEEL	1
7	02007359	CAP-STEERING WHEEL	1
8	02348247	SPACER	1
9	02345093	WASHER 2.8 THICK	2
10	02345134	PIVOT – ROUND HEAD BOLT	2
11	02345077	SLIDING KEY	1
12	02348177	TAPER NUT TILT STEER LOCK	1
13	02348218	LEVER – TILT STEER LOCK1	1
14	02348177	WASHER – 2.4 THICK	1
15	02345064	TENON SHAFT – SLIDING	1
16	86500003	SPRING	2
17	52400025	NUT M10 X 1.5	2
18	59251205	BOLT M8 X 20L	6
19	53110316	WASHER	6
20	02348289	BOLT M8 X 1.25 X 8L	1
21	02348276	KEY 5 X 5 X 15	2
22	49252455	BOLT M 10 X 40	3
23	53130181	SPRING WASHER	3
24	02878571	KEY	1
25	52510421	NUT	1
26	39200012	STEERING UNIT – SLOT TYPE	1
	39300007	STEERING UNIT –SPLINE TYPE	1
27	02351926	SEALKIT	1

NOTE : STEERING UNIT NOT SERVICABLE
 SPARES OF ITEM 39200012/39300007 NOT SOLD SEPERATELY

HYDRAULIC SYSTEM

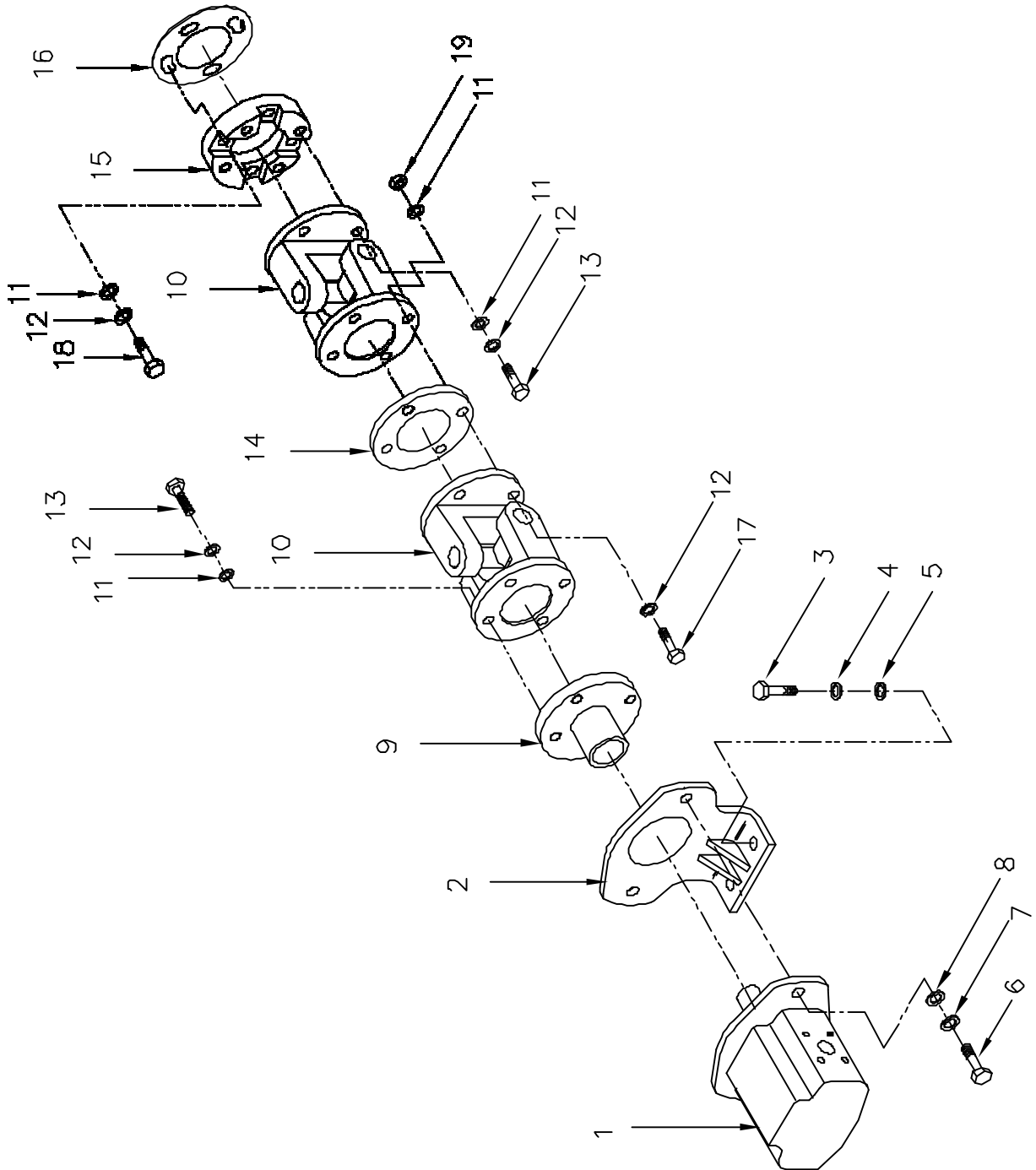
HYDRAULIC TANK



HYDRAULIC TANK

Sr. No.	ITEM CODE	PART DESCRIPTION	QTY.
1	59167905	FILTER RETURN (HYDAX)	1
1A	59171889	FILTER ELEMENT	1
2	02521817	COVER – TANK	1
3	02354646	GASKET TANK COVER	1
4	52400625	NUT - M 10 X 1.5 P	8
5	53130149	WASHER – SPRING ID – 10 MM	8
6	53110332	WASHER – PLAIN ID – 10 MM	8
7	02355250	STAINER ASSEMBLY	1
8	02354617	BREATHER – AIR	1
9	49531314	BOLT 2BA X ¼”	6
10	02152109	FILLER CUM DIPSTICK	1
11	02021333	GASKET	1
12	02879172	HOSE CLIP	1
13	02012649	HOSE	100mm

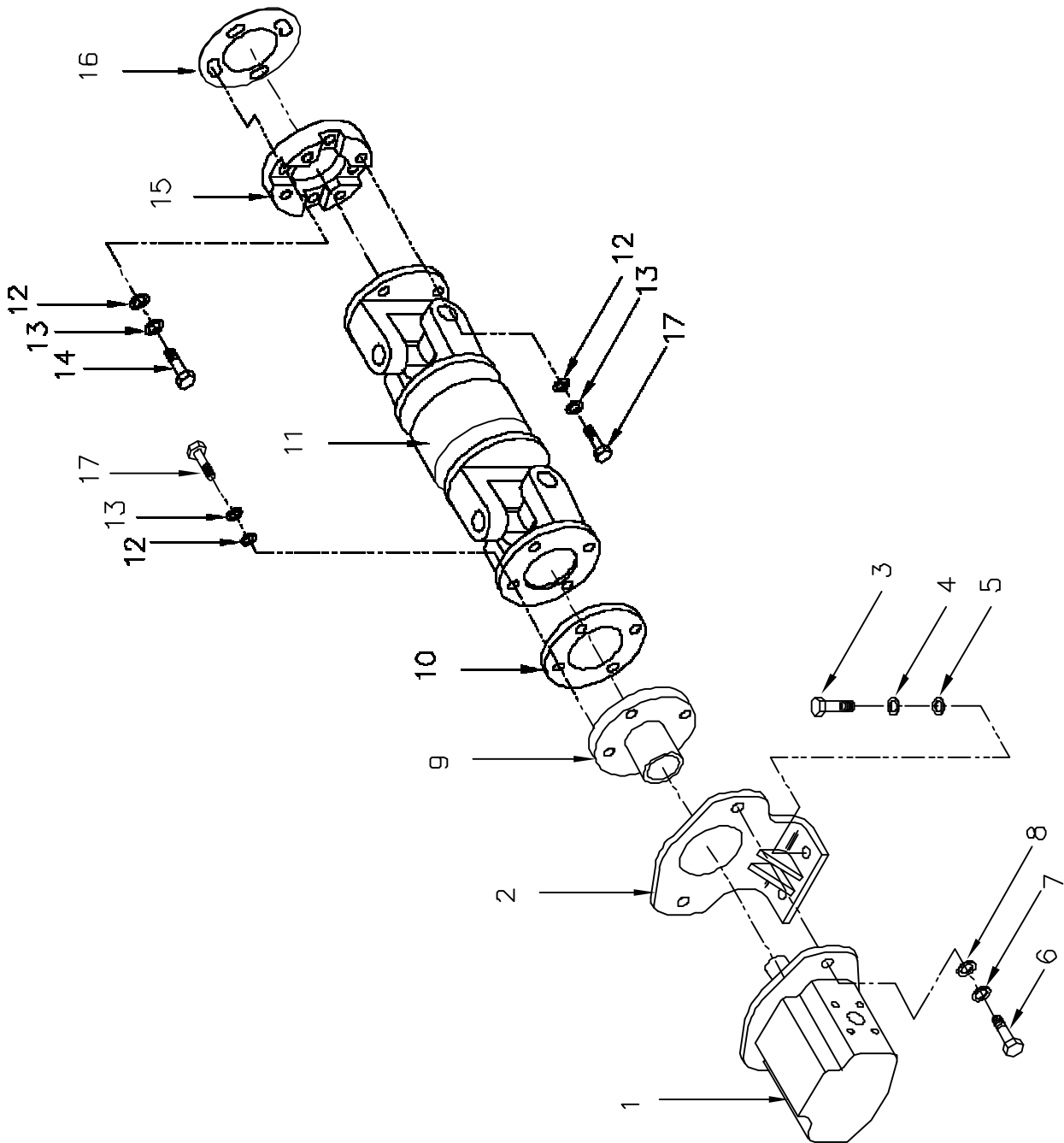
HYD.PUMP INSTALLATION (DOWTY) GX200/250D-S4



HYD. PUMP INSTALLATION (DOWTY) GX200/250D-S4

SR.NO.	ITEM CODE	PART DESCRIPTION	QTY.
1	39200009	PUMP - MAIN (DOWTY)	1
2	02361253	PUMP MTG BRACKET	1
3	49252301	HEX HD BOLT M10 x 1.5P x 30L	2
4	53130107	WASHER - SPRING ID = 10 mm	2
5	53110275	WASHER - PLAIN = 10 mm	2
6	49265808	HEX HD BOLT M12 x 1.75P x 40L	2
7	53130222	WASHER SPRING ID = 12 mm	2
8	53110358	WASHER - PLAIN = 12 mm	2
9	02183563	PUMP FLANGE	1
10	02016650	UNIVERSAL JOINT	2
11	53110316	WASHER - PLAIN= 8mm	16
12	53130149	WASHER - SPRING ID = 8 mm	16
13	49251250	HEX HD BOLT M8 x 1.25P x 25L	8
14	02147819	SPACER	1
15	02235411	SPACER	1
16	02016593	LOCK PLATE	1
17	49251359	HEX HD BOLT M8 x 1.25P x 30L	4
18	49251304	HEX HD BOLT M8 x 1.25P x 30L	4
19	52414509	HEX NUT - M8 x 1.25P	4

HYD.PUMP INSTALLATION (DOWTY) GX300D-S4

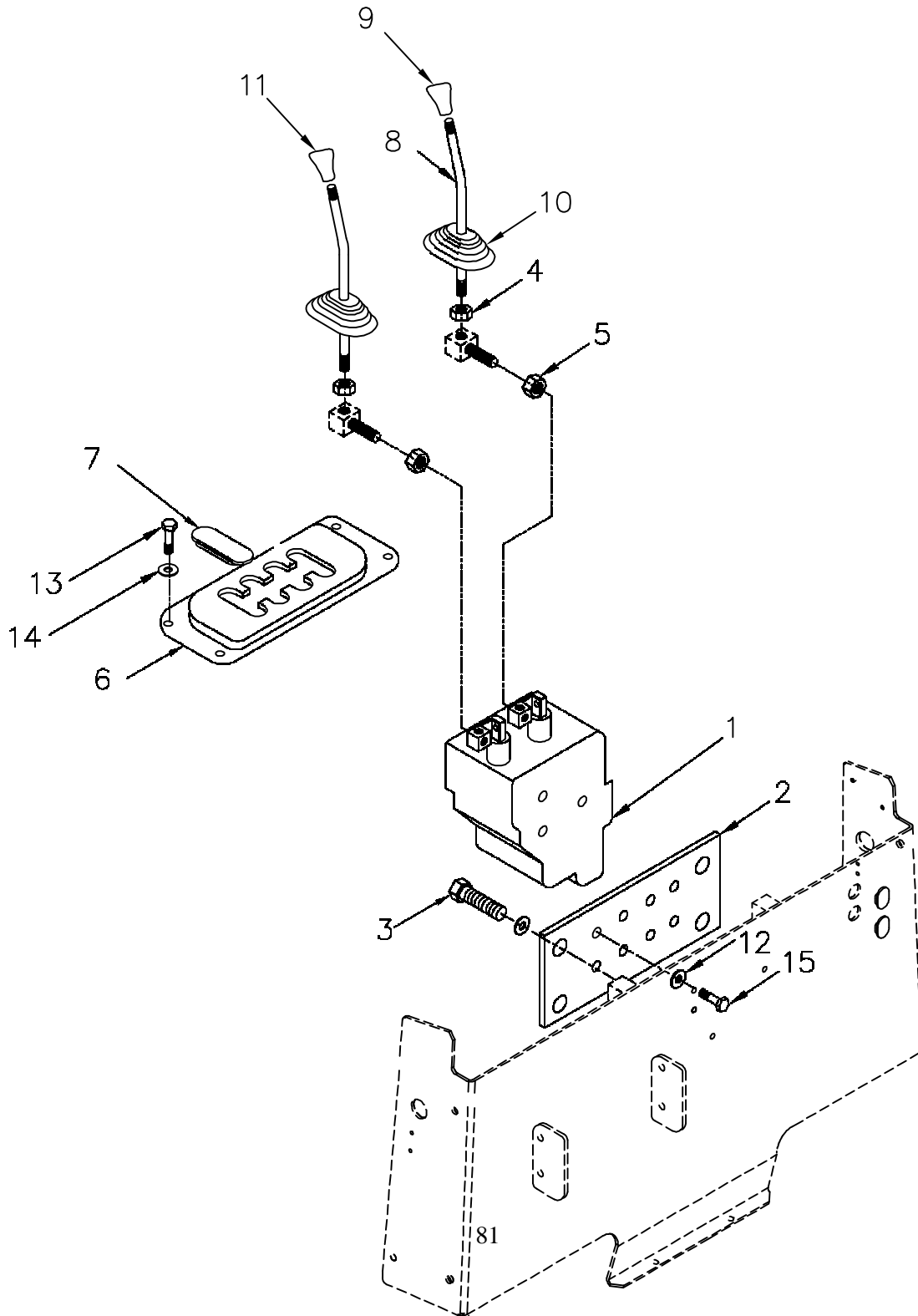


HYD. PUMP INSTALLATION (DOWTY) GX300D-S4

SR.NO.	ITEM CODE	PART DESCRIPTION	QTY.
1	39200009	PUMP - MAIN (DOWTY)	1
2	02361253	PUMP MTG BRACKET	1
3	49252301	HEX HD BOLT M10 x 1.5P x 30L	2
4	53130107	WASHER - SPRING ID = 10 mm	2
5	53110275	WASHER - PLAIN = 10 mm	2
6	49265808	HEX HD BOLT M12 x 1.75P x 40L	2
7	53130222	WASHER SPRING ID = 12 mm	2
8	53110358	WASHER - PLAIN = 12 mm	2
9	02183563	PUMP FLANGE	1
10	02147819	SPACER	1
11	02250025	UNIVERSAL JOINT	1
12	53110316	WASHER - PLAIN = 8 mm	12
13	53130149	WASHER - SPRING ID= 8 mm	12
14	49251304	HEX HD BOLT M8 x 1.25P x 30L	4
15	02235411	SPACER	1
16	02016593	LOCK PLATE	1
17	49251250	HEX HD BOLT M8 x 1.25 x 25L	8

MAIN

CONTROL LEVER - 2 SPOOL (WALVOIL)

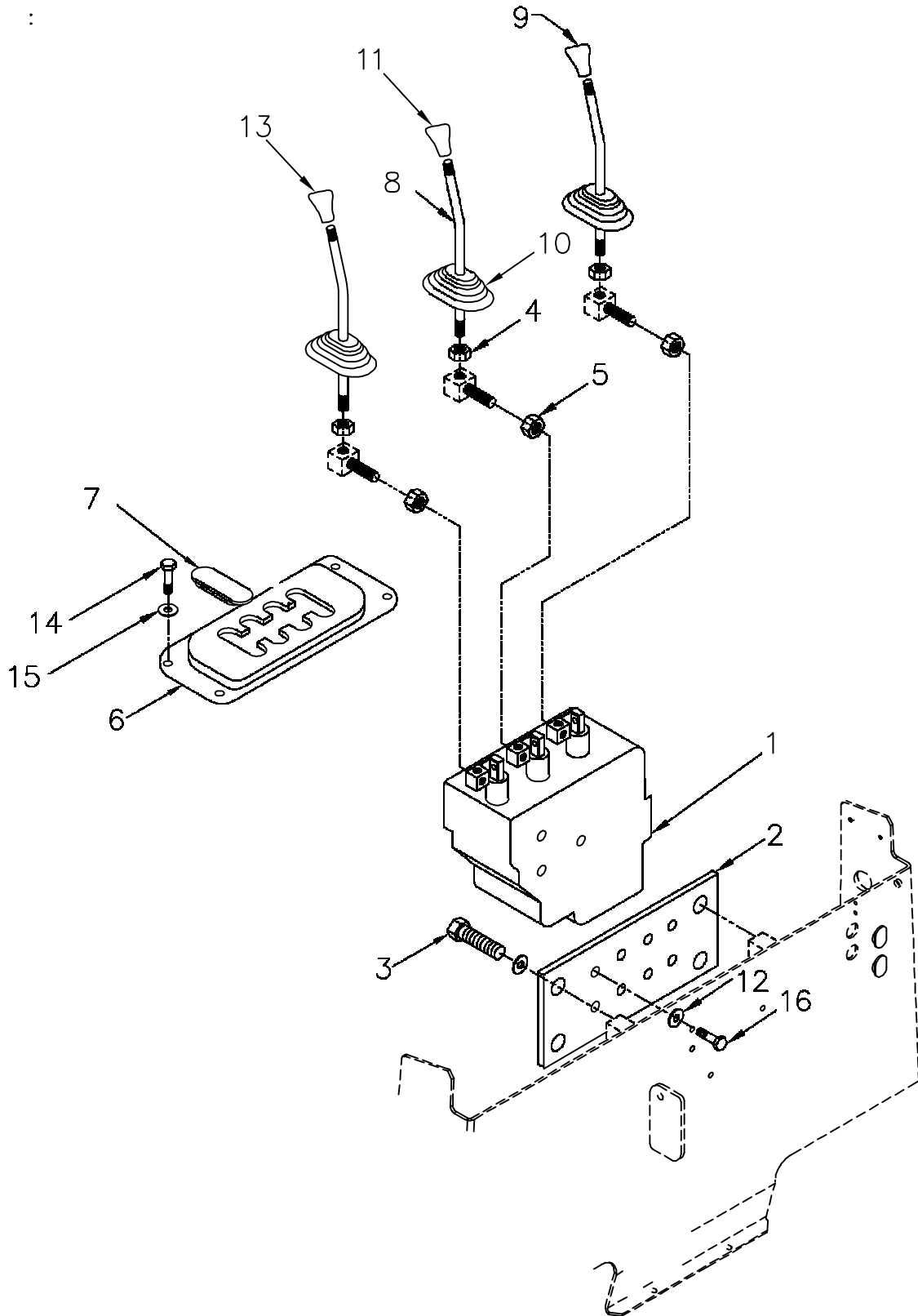


:

MAIN CONTROL LEVER - 2 SPOOL (WALVOIL)

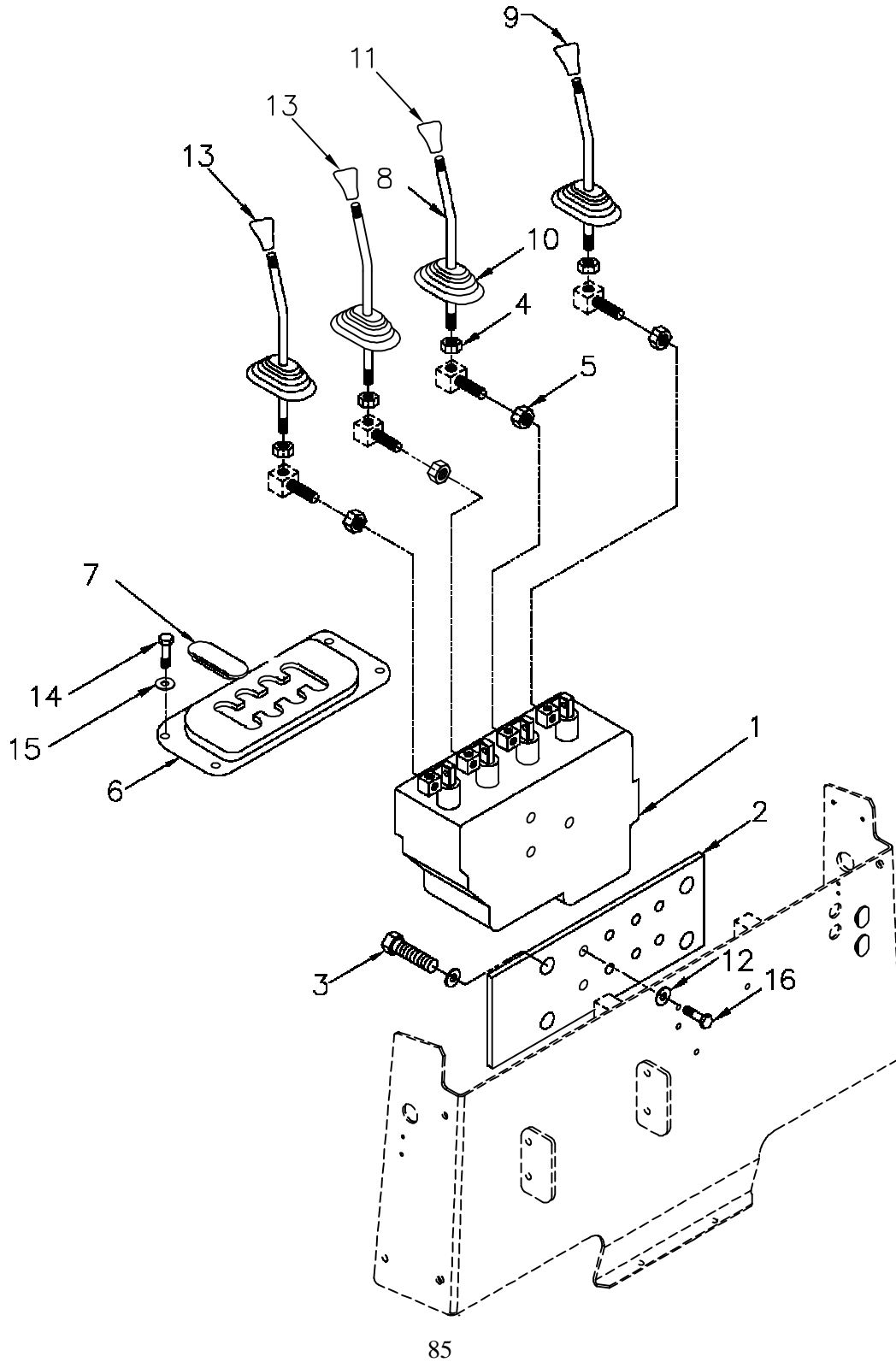
SR.NO.	ITEM CODE	PART DESCRIPTION	QTY.
1	39100152	VALVE MAIN (WALVOIL -2 SPOOL)	1
2	02521567	BRKT. - VALVE MTG. - (WALVOIL)	1
3	49252455	HEX. BOLT - M10 x 1.25p x 30L	4
4	52400625	LOCK NUT - M10 x 1.5	2
5	52500251	LOCK NUT - M12 x 1.75	2
6	02429766	COVER VALVE	1
7	02361071	CAP - COVER	2
8	02521431	LEVER	2
9	86310003	KNOB - LIFT LEVER	1
10	02361084	BOOT - MAIN VALVE	2
11	86310002	KNOB - TILT LEVER	1
12	02351690	SPACER	4
13	49250167	BOLT - M6 x 16	4
14	53110275	PLAIN WASHER I.D. 6 mm	4
15	49251304	BOLT M8 x 1.25 x 30LG	4
16	39100170	VALVE KIT	
17	39100178	SPOOL KIT	

MAIN CONTROL LEVER - 3 SPOOL (WALVOIL)



MAIN CONTROL LEVER - 3 SPOOLS (WALVOIL)

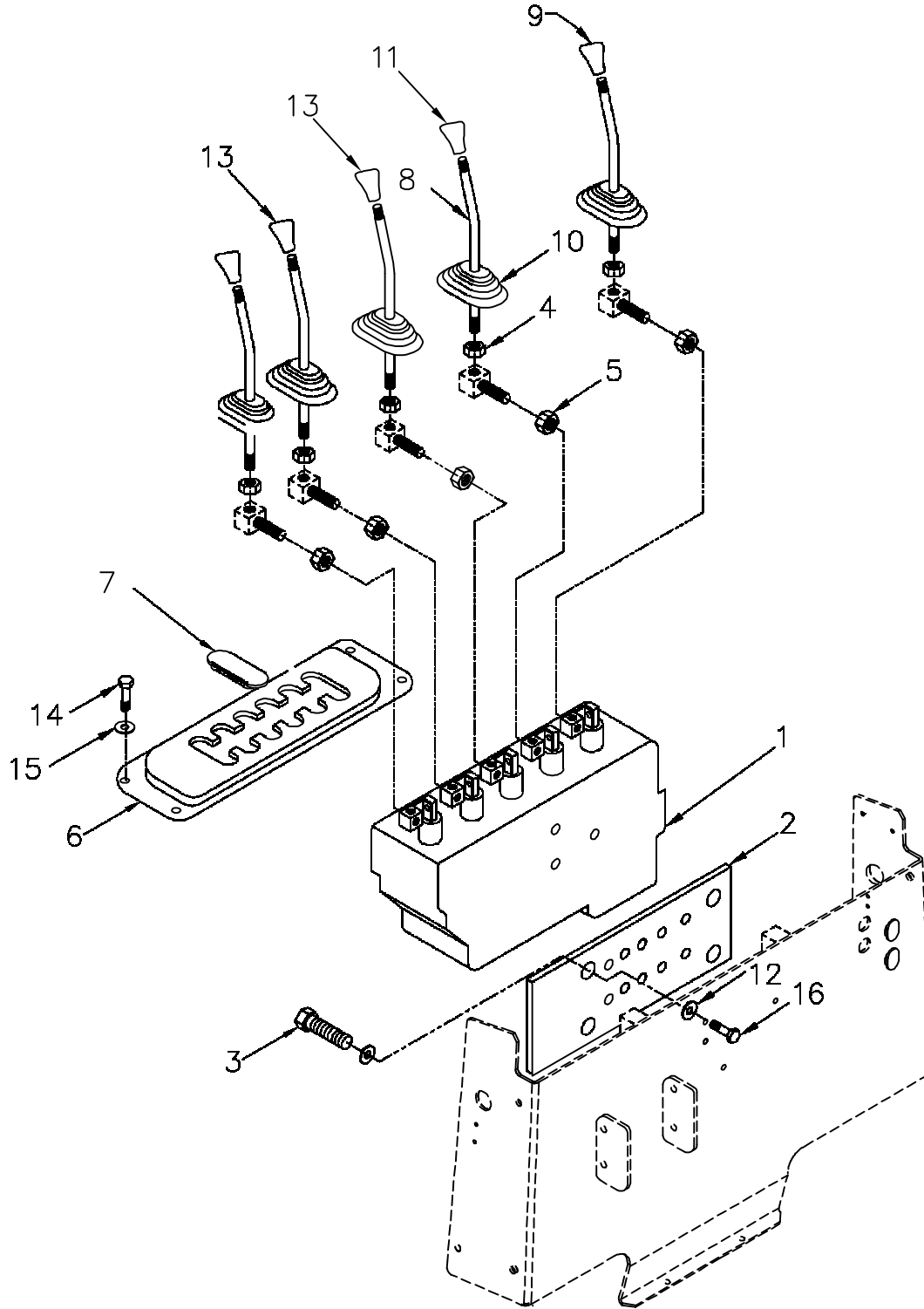
SR.NO.	ITEM CODE	PART DESCRIPTION	QTY.
1	39100153	VALVE MAIN (WALVOIL -(3 SPOOL)	1
2	02521567	BRKT. - VALVE MTG. - (WALVOIL)	1
3	49252455	HEX. BOLT - M10 x 1.25p x 30L	4
4	52400625	LOCK NUT - M10 x 1.5	3
5	52500251	LOCK NUT - M12 x 1.75	3
6	02429766	COVER VALVE	1
7	02361071	CAP - COVER	2
8	02521431	LEVER	3
9	86310003	KNOB - LIFT LEVER	1
10	02361084	BOOT - MAIN VALVE	2
11	86310002	KNOB - TILT LEVER	1
12	02351690	SPACER	4
13	86310004	KNOB AUXILLARY LEVER	1
14	49250167	BOLT - M6 x 16	4
15	53110275	PLAIN WASHER I.D. 6 mm	4
16	49251304	BOLT M8 x 1.25 x 30LG	4
17	39100175	VALVE KIT	
18	39100179	SPOOL KIT	



MAIN CONTROL LEVER - 4 SPOOLS (WALVOIL)

SR.NO.	ITEM CODE	PART DESCRIPTION	QTY.
1	39100154	VALVE MAIN (WALVOIL -(4SPOOL)	1
2	02521567	BRKT. - VALVE MTG. - (WALVOIL)	1
3	49252455	HEX. BOLT - M10 x 1.25p x 30L	4
4	52400625	LOCK NUT - M10 x 1.5	4
5	52500251	LOCK NUT - M12 x 1.75	4
6	02429766	COVER VALVE	1
7	02361071	CAP - COVER	-
8	02521431	LEVER	4
9	86310003	KNOB - LIFT LEVER	1
10	02361084	BOOT - MAIN VALVE	4
11	86310002	KNOB - TILT LEVER	1
12	02351690	SPACER	4
13	86310004	KNOB AUXILLARY LEVER	2
14	49250167	BOLT - M6 x 16	4
15	53110275	PLAIN WASHER I.D. 6 mm	4
16	49251304	BOLT M8 x 1.25 x 30LG	4
17	39100176	VALVE KIT	
18	39100180	SPOOL KIT	

MAIN CONTROL LEVER - 5 SPOOL (WALVOIL)

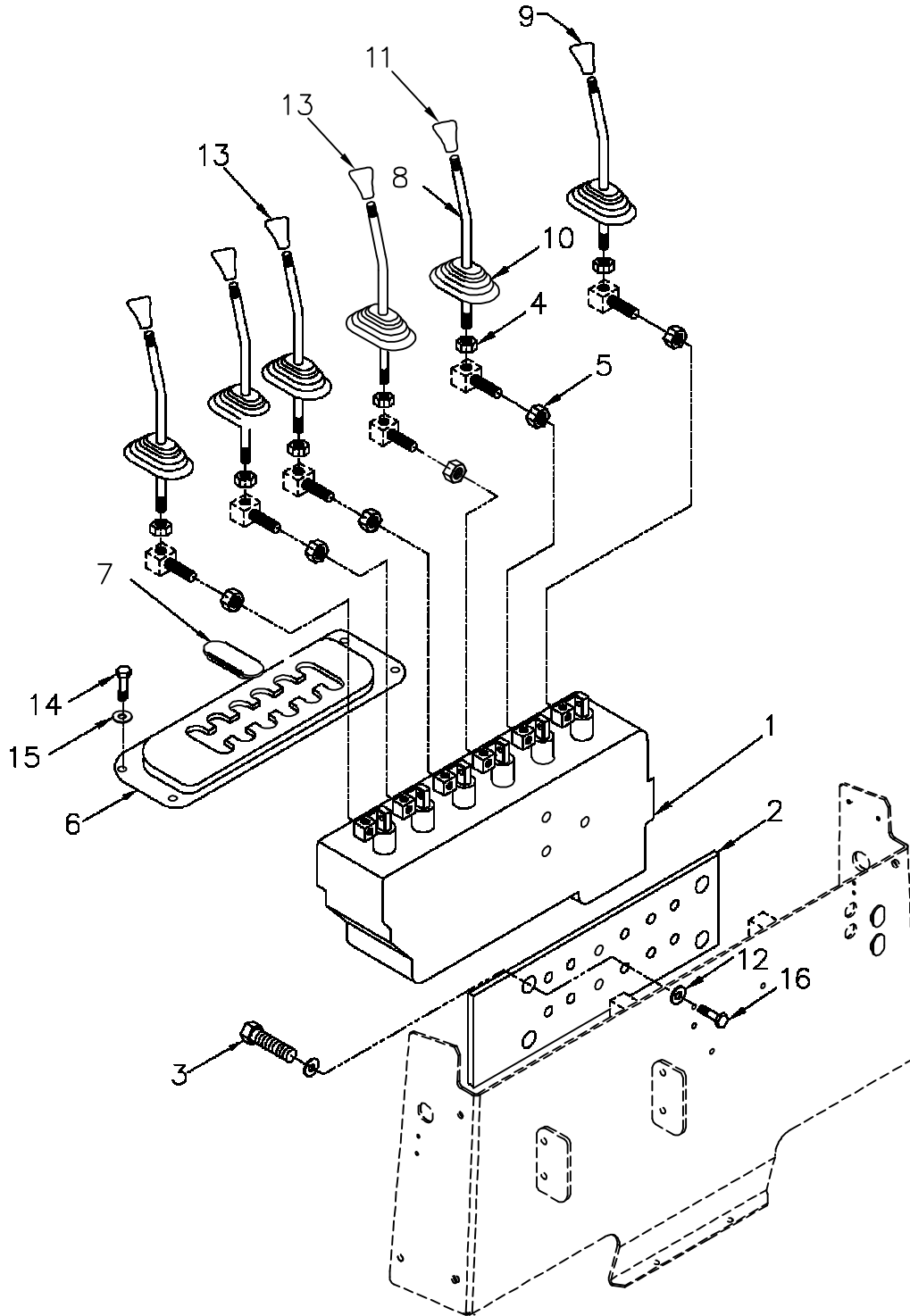


:

MAIN CONTROL LEVER - 5 SPOOL (WALVOIL)

SR.NO.	ITEM CODE	PART DESCRIPTION	QTY.
1	39100191	VALVE MAIN (WALVOIL – (5-SPOOL)	1
2	02521567	BRKT. – VALVE MTG. – (WALVOIL)	1
3	49252455	HEX. BOLT – M10 x 1.25p x 30L	4
4	52400625	LOCK NUT – M10 x 1.5	5
5	52500251	LOCK NUT – M12 x 1.75	5
6	02429766	COVER VALVE	1
7	02361071	CAP – COVER	1
8	02521431	LEVER	5
9	86310003	KNOB – LIFT LEVER	1
10	02361084	BOOT – MAIN VALVE	6
11	86310002	KNOB – TILT LEVER	1
12	02351690	SPACER	4
13	86310004	KNOB AUXILLARY LEVER	3
14	49250167	BOLT – M6 x 16	4
15	53110275	PLAIN WASHER I.D. 6 mm	4
16	49251304	BOLT M8 x 1.25 x 30LG	4
17	39100193	SPOOL KIT	

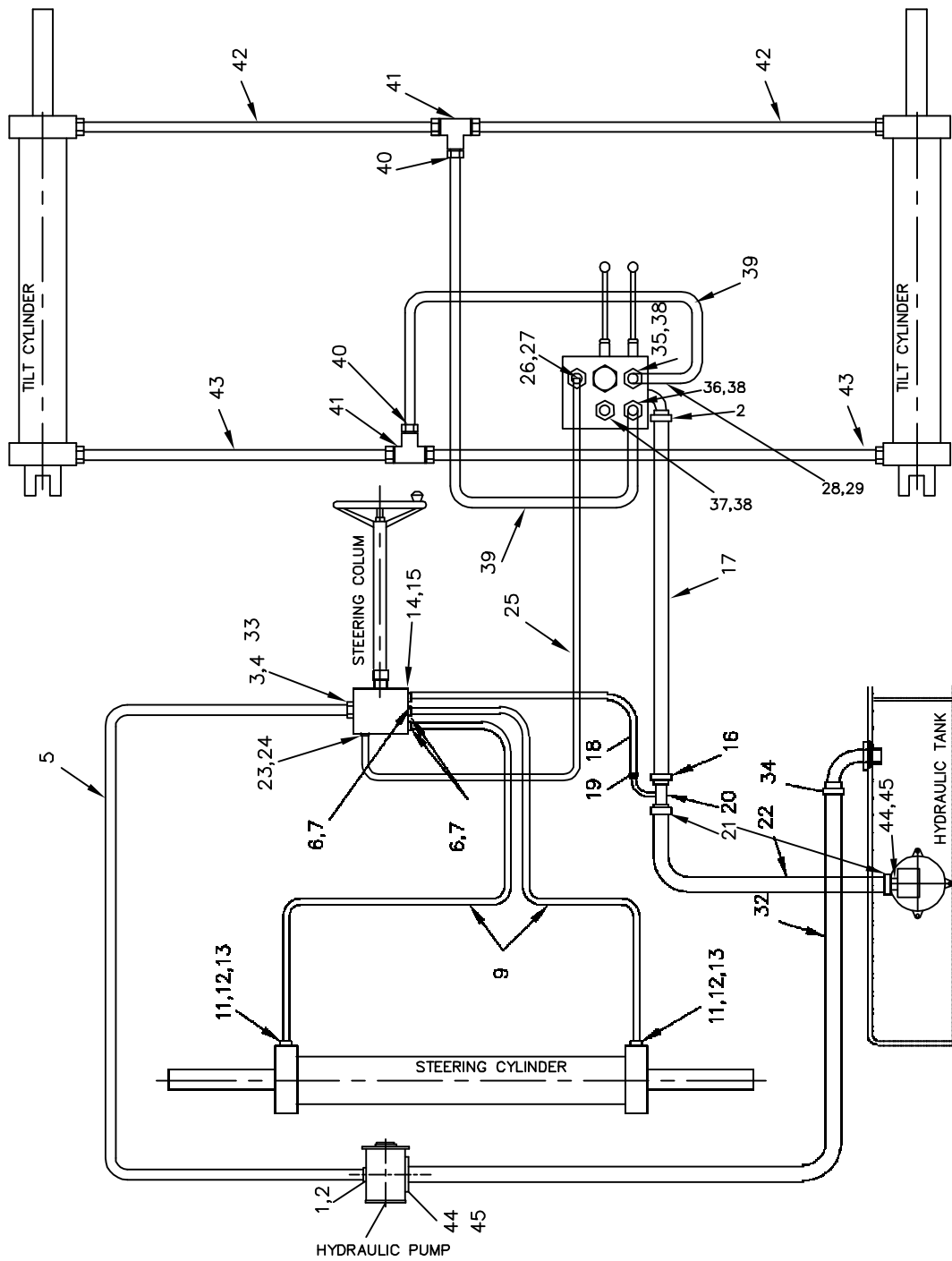
MAIN CONTROL LEVER - 6 SPOOL (WALVOIL)



MAIN CONTROL LEVER - 6 SPOOL (WALVOIL)

SR.NO.	ITEM CODE	PART DESCRIPTION	QTY.
1	39100174	VALVE MAIN (WALVOIL -(6SPOOL)	1
2	02521567	BRKT. - VALVE MTG. - (WALVOIL)	1
3	49252455	HEX. BOLT - M10 x 1.25p x 30L	4
4	52400625	LOCK NUT - M10 x 1.5	6
5	52500251	LOCK NUT - M12 x 1.75	6
6		COVER VALVE (Modified)	1
7	02361071	CAP - COVER	-
8	02521431	LEVER	6
9	86310003	KNOB - LIFT LEVER	1
10	02361084	BOOT - MAIN VALVE	6
11	86310002	KNOB - TILT LEVER	1
12	02351690	SPACER	4
13	86310004	KNOB AUXILLARY LEVER	4
14	49250167	BOLT - M6 x 16	4
15	53110275	PLAIN WASHER I.D. 6 mm	4
16	49251304	BOLT M8 x 1.25 x 30LG	4
17	39100177	VALVE KIT	
18	39100181	SPOOL KIT	

HYDRAULIC LINES—LOAD SENSING



HYD. LINES WITH LOAD SENSING

SR.NO.	ITEM CODE	PART DESCRIPTION	QTY.
1	39550124	SPLIT FLANGE –3/4" SAE	1
2	39550125	O-RING – FOR 3/4" BSP	1
3	02014825	DOWTY SEAL – FOR 1/2" BSP	1
4	39550736	CONNECTOR – 1/2" BSP x 7/8" UNF	1
5	39550740	HOSE – PUMP TO LOAD SENSING VALVE	1
6	02142588	DOWTY SEAL – FOR 3/8" BSP	2
7	39550723	CONNECTOR – 3/8" BSP X 3/4" UNF	2
9	39550738	HOSE – STEERING UNIT TO STREEING CYD.	2
11	39550737	ADAPTOR – M18 x 3/4" UNF	2
12	39550112	O RING – FOR M18	2
13	39550113	O RING RETAINER M18	2
14	02142588	DOWTY SEAL FOR 3/8" BSP	1
15	39550724	CONNECTOR – 3/8" BSP X 7/8" UNF	1
16	39550119	HOSE CLIP	2
17	39550741	HOSE –DIR CON V/V TO TEE (RETURN LINE)	1
18	39550739	HOSE –STR. UNIT TO RETURN LINE CONN	1
19	39550146	HOSE CLIP – 1/2"	1
20	39550132	RETURN LINE CONNECTOR	1
21	39550131	HOSE CLIP	1
22	02521818	HOSE TEE (RETURN LINE) TO TANK	2
23	02014825	DOWTY SEAL FOR 1/2" BSP	1
24	39550736	CONNECTOR – 1/2" BSP x 7/8" UNF	1
25	39550731	HOSE LOAD SENSING V/V TO DIR CON V/V	1
26	56156562	O RING FOR 1 1/16" UNF	1
27	39550725	ADAPTOR 1 1/16" UNF X 7/8" UNF	1
28	56156562	O RING FOR 1 1/16 " UNF	1
29	39550729	ADAPTOR 1 1/16" UNF x 1 5/16" UNF	1
32	39550169	HOSE – SUMP TO PUMP	1
33	39300018	EATON STR. UNIT WITH L/D SENSING V/V SET	1
34	39550119	HOSE CLIP	1
35	39550727	CONN.MAIN VALVE 7/8" UNF x 9/16" UNF Lg	1

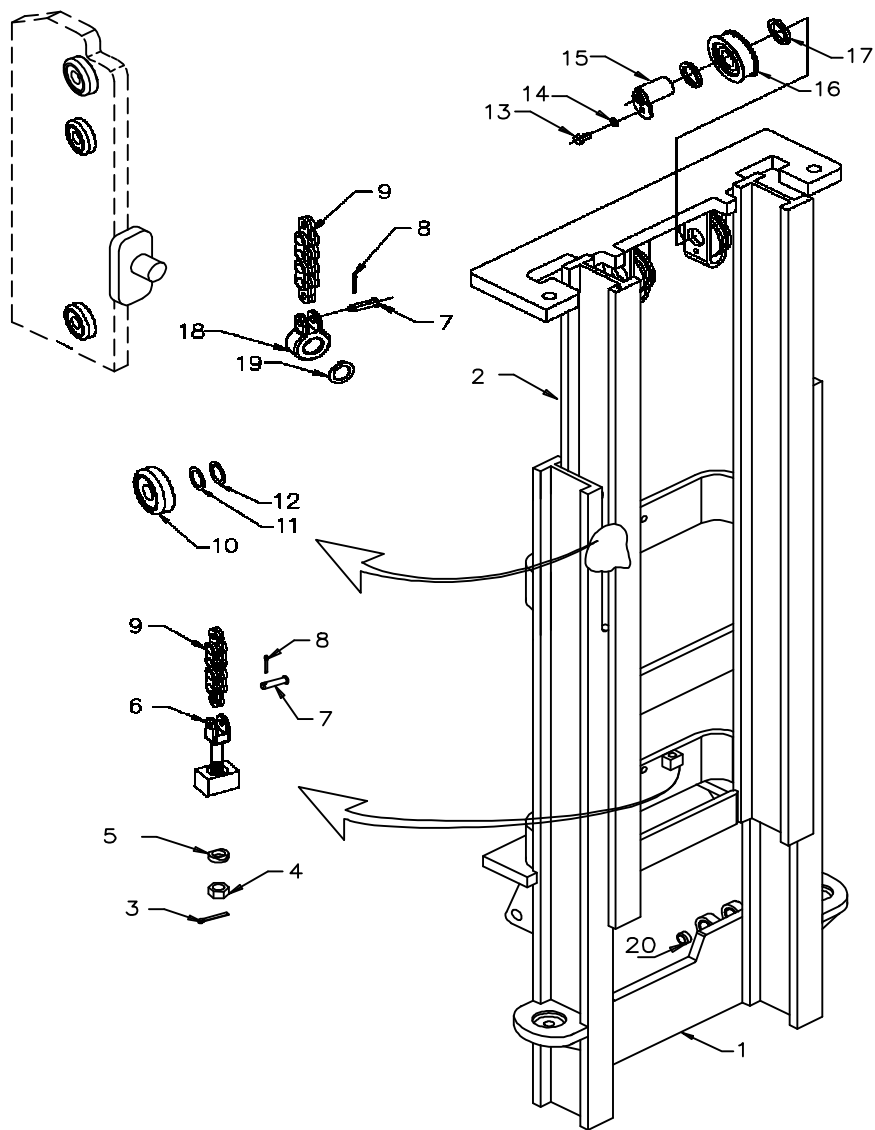
HYD. LINES WITH LOAD SENSING

SR.NO.	ITEM CODE	PART DESCRIPTION	QTY.
36	39550728	CONNECTOR MAIN V/V – TLT 7/8" UNF x 9/16" UNF SHORT	1
37	39550726	CONNECTOR MAIN V/V – LIFT 7/8" UNF x 7/8" UNF SHORT	1
38	56156476	7/8" O RING	1
39	39550734	HOSE VAVLE TO TEE CONNECTOR	2
40	39550735	ELBOW – 9/16" UNF / 9/16" UNF (F.S) HOSE FITTING-M22	2
41	39550730	TEE	2
42	39550732	HOSE TEE TO LH /RH TILT CYLINDER	2
43	39550733	HOSE TEE TO LH /LH TILT CYLINDER	2
44	02039020	CONNECTOR	1
45	02048868	DOWTY SEAL	1

MAST ASSEMBLY

MAST ASSEMBLY

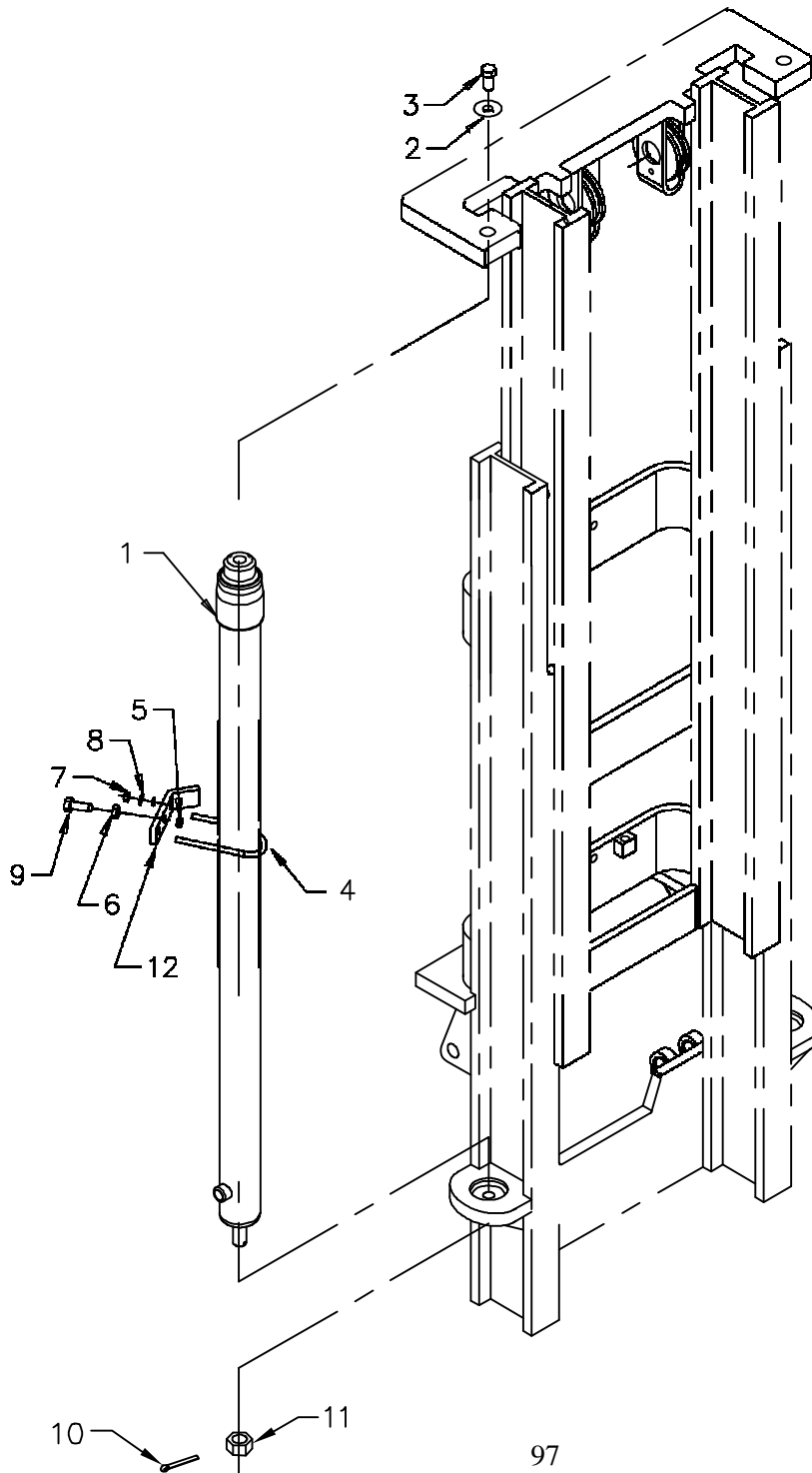
GX3D - 7A - 01



CLEAR VIEW MAST 5" JREW I-BEAM

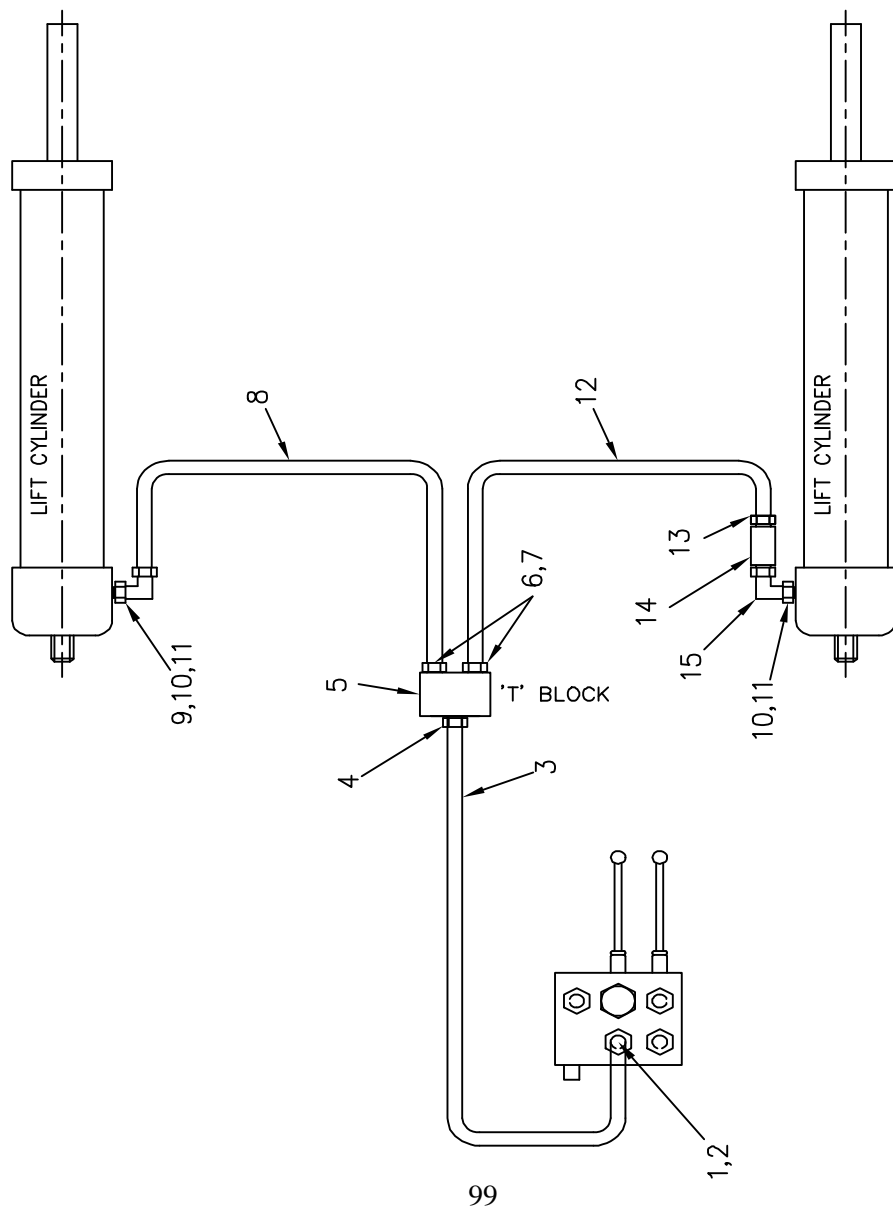
SR.NO.	ITEM CODE	PART DESCRIPTION	QTY.
1	02396884	OUT. RAIL ASSY. - 3620 MFH(P/L-02396897)	1
2	02396909	INN. RAIL ASSY. - 3620 MFH(P/L02396897)	1
3	53360250	COTTER PIN	2
4	52415056	JAM NUT	2
5	02354112	SPHERICAL NUT	2
6	02354125	ROD - CHAIN ANCHOR	2
7	02354170	CLEVIS PIN	4
8	53365482	COTTER PIN	4
9	59184089	CHAIN ASSY	2
10	02326191	BEARING – ROLLER	4
11	02078410	SHIM	AR
12	02047069	SHIM	AR
13	49252202	BOLT - M10 X 1.5P X 20 L	2
14	53130181	SPRING WASHER – M10	2
15	02425841	SHEAVE – SHAFT	2
16	02421252	CHAIN SHEAVE ASSY.	2
17	02354224	SPACER	4
18	02354211	CHAIN ANCHOR	2
19	53501851	SNAP RING	2
20	02067764	BUSH FOR SERVICE	4

LIFT CYLINDER CVM 5" JREW I-BEAM



SR.NO.	ITEM CODE	PART DESCRIPTION	QTY.
1	39400020	LIFT CYLINDER - (DANTAL) 3620 MFH	2
	39400087	SEAL KIT-LIFT CYL. REPAIRS (DANTAL)	2
2	02092689	SPACER	2
3	49270581	HEX BOLT – M20 X 30	2
4	02172015	'U' BOLT	2
5	59184191	RUBBER PAD	2
6	52414752	HEX NUT - M12 X 1.75	2
7	52414509	HEX NUT - M8 X 1.25	4
8	53110316	WASHER - 8 mm	4
9	49253353	BOLT - M12 X 1.75 X 35 LG	2
10	53365763	COTTER PIN	2
11	52616400	CASTLE NUT	2
12	02340957	SUPPORT PLATE LIFT CYLD.	2

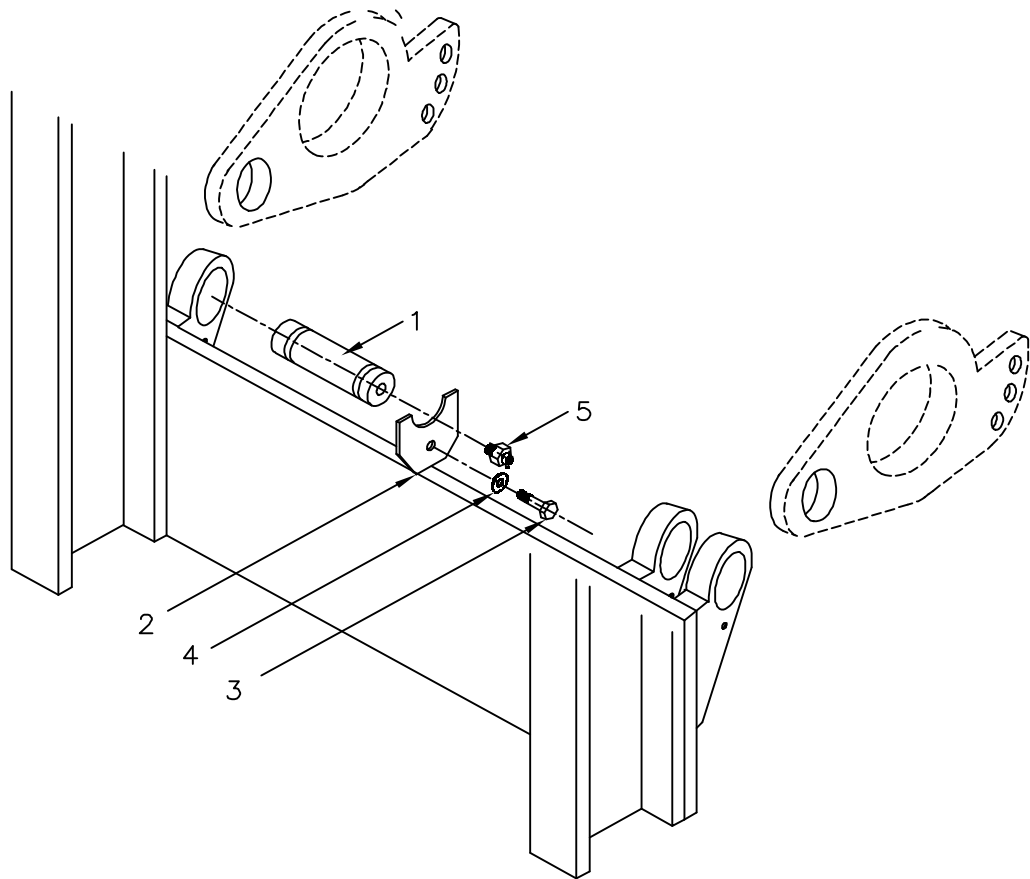
HYDRAULIC LIFT LINES



HYDRAULIC LIFT LINE

SR.NO.	ITEM CODE	PART DESCRIPTION	QTY.
1	39550138	O-RING (LIFT PORT)-M20	1
2	39550148	CONNECTOR –M20XM22 (DIN)	1
3	39550147	HOSE ASSY-MAIN HYD V/V TO F.C. V/V	1
4	39550149	CONNECTOR-M22X3/4”BSP (FS)	1
5	39100039	FLOW CONTROL VALVE	1
6	39550151	CONNECTOR-1/2”BSPXM18 (DIN)	2
7	39550152	O-RING – 1/2” BSP	2
8	39550190	HOSE ASSY-F.C V/V TO LIFT CYL LH	1
9	39550175	ELBOW M18XM18 (FS)	1
10	39550111	CONNECTOR – M18XM18 (DIN)	2
11	56157952	O-RING M18	2
12	39550569	HOSE ASSY-F.C.VALVETO HOSE BURST V/V	1
13	39550154	CONNECTOR-1/2”BSP (FS) XM18 (DIN)	1
14	39100037	HOSE BURST VALVE	1
15	39550155	ELBOW –M18x1.5 (FS) - 1/2” BSP (FS)	1

UPRIGHT SUPPORT

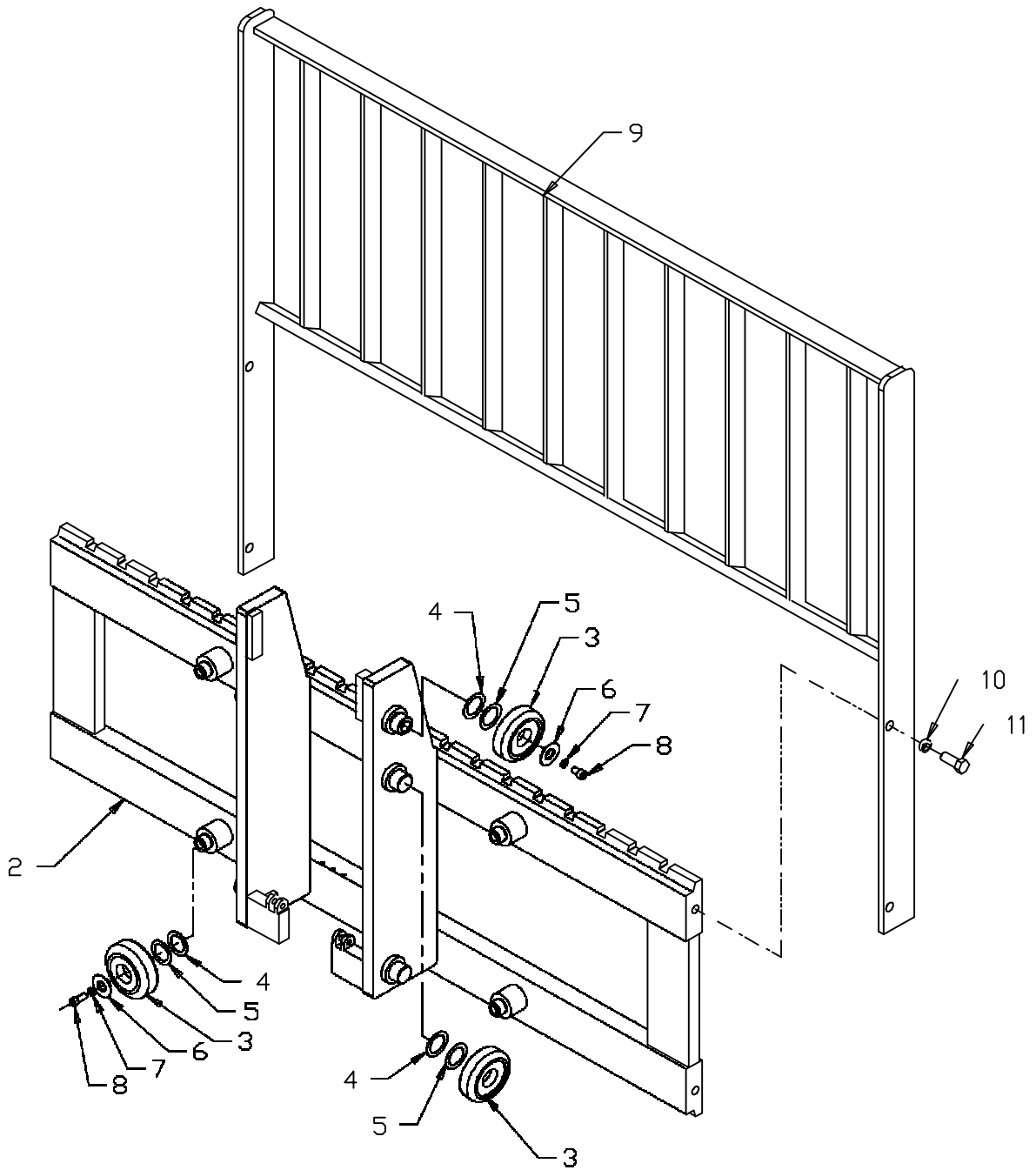


UPRIGHT SUPPORT

SR.NO.	ITEM CODE	PART DESCRIPTION	QTY.
1	02002367	SHAFT UPRIGHT SUPPORT	2
2	02002396	LOCK PLATE	2
3	49252301	BOLT M10 X 30 LG.	2
4	53130151	SPRING WASHER	2
5	59500168	GREASE NIPPLE.	2

CARRIAGE & FORKS

CARRIAGE CVM

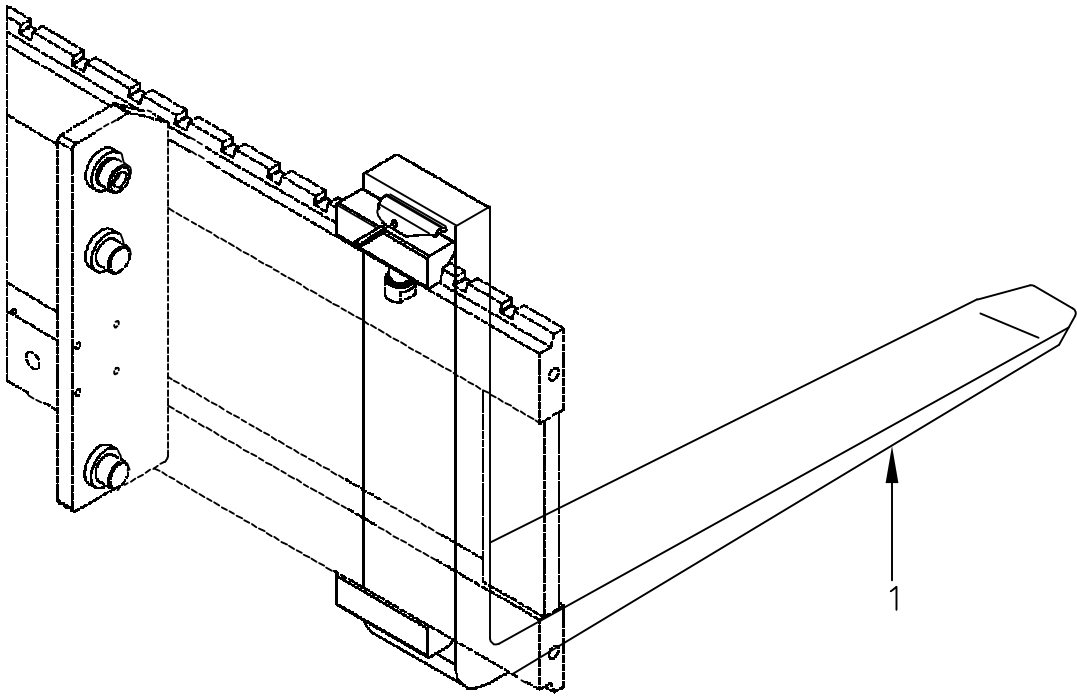


CARRIAGE CVM

SR.NO.	ITEM CODE	PART DESCRIPTION	QTY.
1	02523405	CARRIAGE ASSY INCLUDING ROLLERS SD	1
	02523406	CARRIAGE ASSY INCLUDING ROLLERS DD	1
2	02523395	CARRIAGE - SD 1041 WIDE	1
	02523402	CARRIAGE - DD 1549 WIDE	1
3	02340436	ROLLER ASSY (FOR 6307 BRG.)	10
4	02000318	SHIM	AR
5	02003913	SHIM	AR
6	02004192	RETAINER	6
7	53110332	MS WASHER 10MM	6
8	51210548	HT SOC. SCR. M10 X16	6
9	02425528	LOAD BACK REST SD	1
	02425531	LOAD BACK REST DD	1
10	53130305	SPRING WASHER 16 MM	4
11	49255401	HEX BOLT M16 X 40	4

(1 CONSISTS OF ITEMS 2 TO 11)

FORK

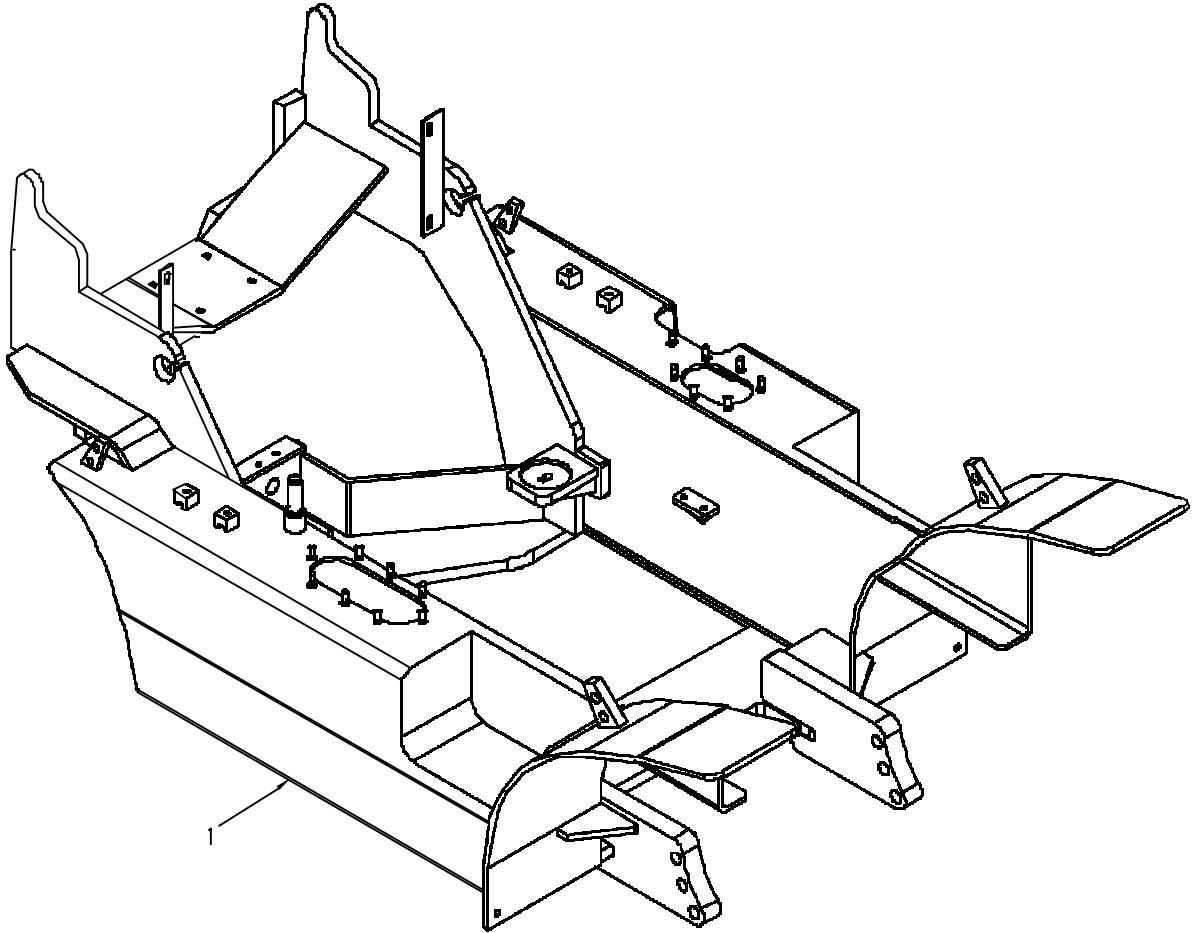


FORK

SR.NO.	ITEM CODE	PART DESCRIPTION	QTY.
1	97126764	FORK VETTER1000LG	2
	41300004	FORK 1000LG	2
2	97926892	FORK VETTER1200LG	2
	41300005	FORK 1200LG	2
	02091330	FORK – 2000mm Lg	2
3	02008369	PIN FORK STOP	2
4	02029805	WASHER	2
5	02008372	SPRING	2
6	02002370	LEVER	2
7	02871192	ROLLPIN	2

BODY AND OTHER MISC

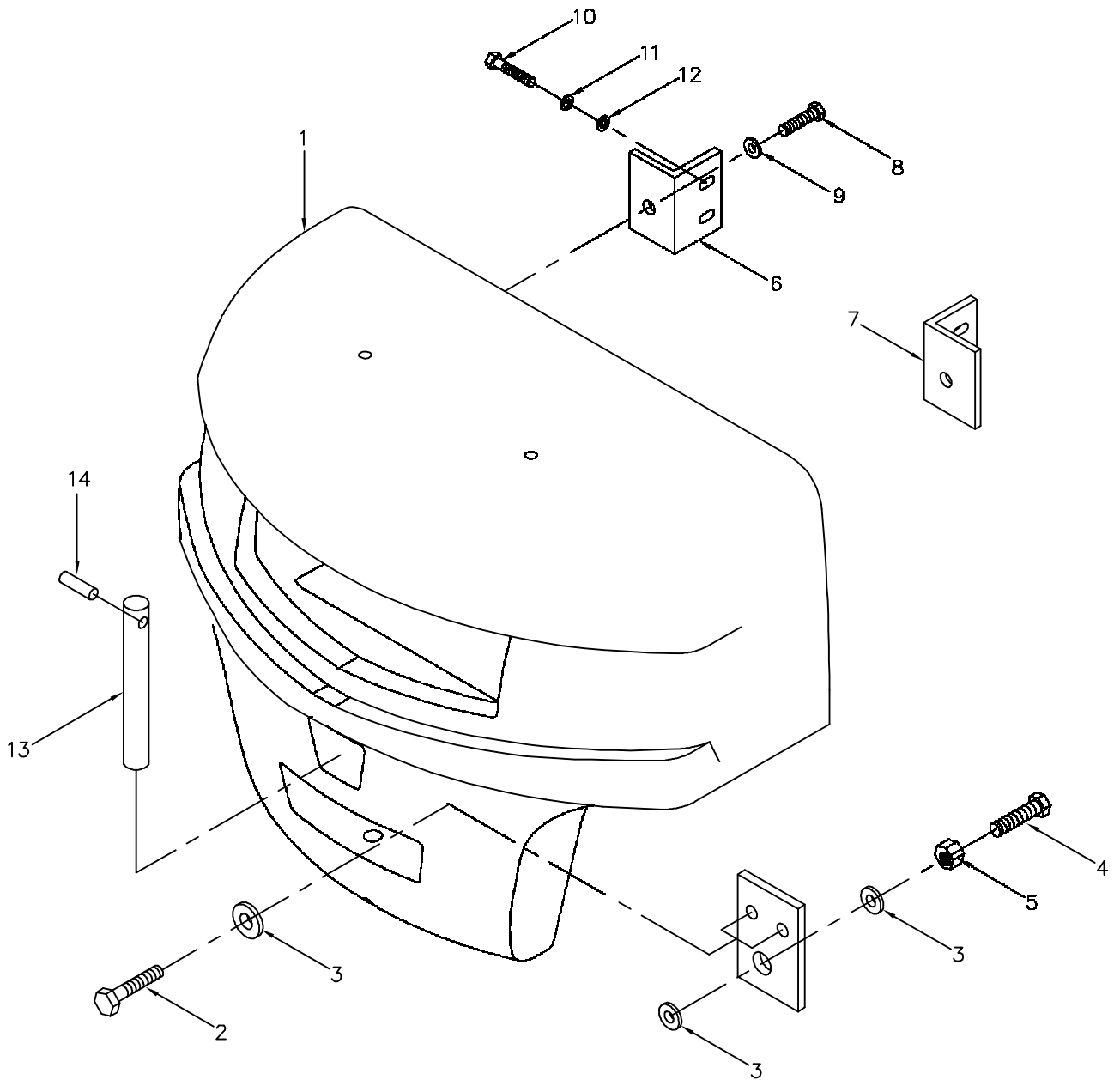
FRAME



FRAME

SR.NO.	ITEM CODE	PART DESCRIPTION	QTY.
1	02391467	FRAME ASSY	1

COUNTER WEIGHT

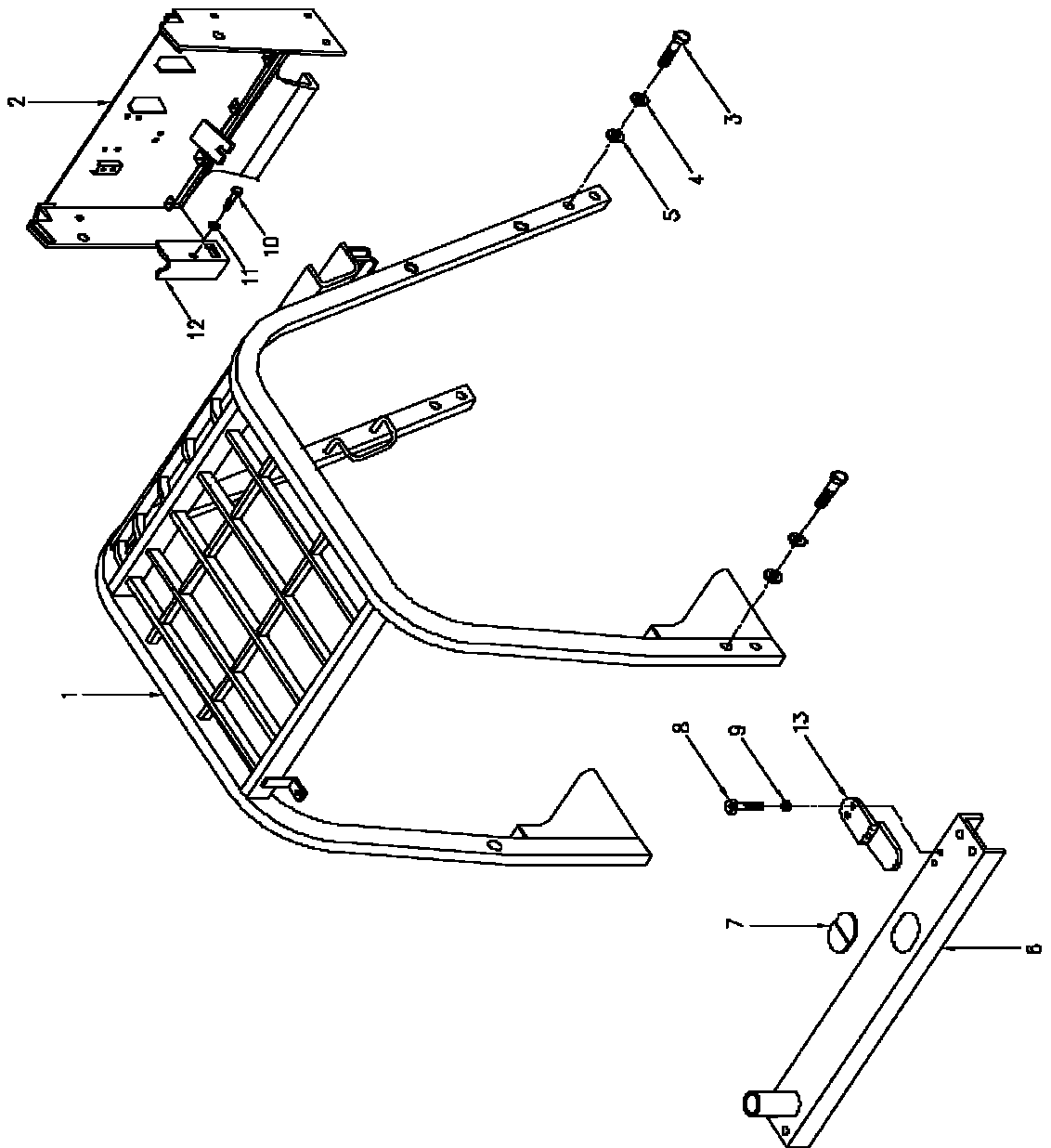


COUNTER WEIGHT

SR.NO.	ITEM CODE	PART DESCRIPTION	QTY.
1	**	COUNTER WEIGHT	1
2	60100009	BOLT M20 x 2.5P x 160 L	2
3	02354282	WASHER-PLAIN	2
4	60100010	BOLT ADJUSTING - M20 x 70 L	1
5	52410402	NUT - M20 x 2.5	1
6	02375715	MOUNTING ANGLE	2
7	49270578	BOLT M20 x 2.5 x 50 L	2
8	53130389	SPRING WASHER	2
9	49265709	BOLT M12 x 1.75P x30	4
10	53110358	WASHER-PLAIN	4
11	53130222	SPRING WASHER	4
12	02351575	PIN-DRAW BAR	1
13	60200013	SPRING PIN-10 x 75L	1

** = Not sold

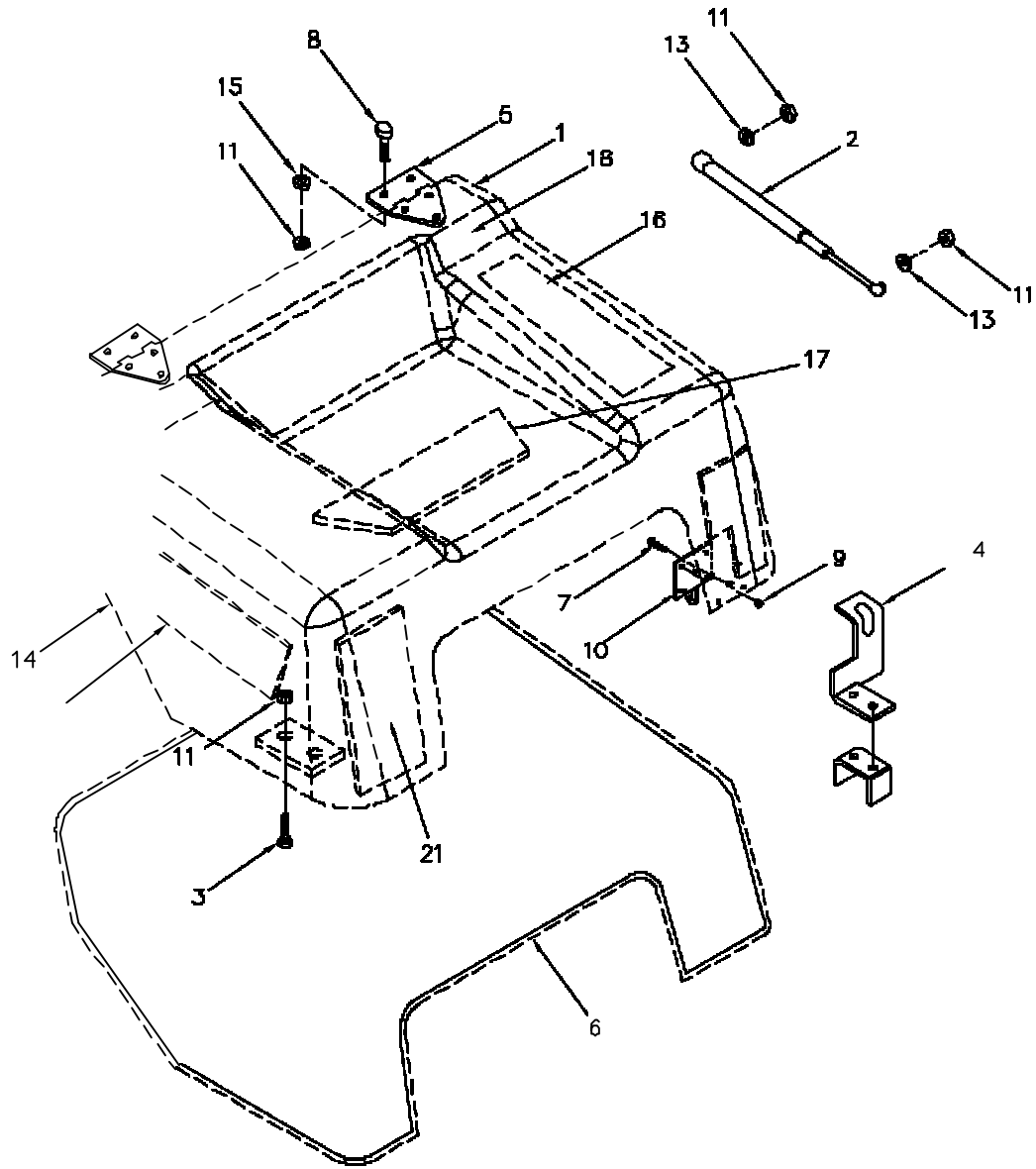
OVERHEAD GUARD & COWL



OVER HEAD GUARD & COWL

SR.NO.	ITEM CODE	PART DESCRIPTION	QTY.
1	02440934	GUARD - OVERHEAD	1
2	02420565	COWL ASSLY	1
3	49253353	BOLT - M12x 35	12
4	53130222	WASHER - SPRING ID = 12mm	12
5	53110358	WASHER - PLAIN ID = 12mm	12
6	02421645	PLATE - CROSS (FOR 3R ENGINE)	2
	02421658	PLATE - CROSS (FOR S4 ENGINE)	1
	02421773	PLATE - CROSS (FOR LPG ENGINE)	1
7	02354604	CAP - RADIATOR	1
8	49252257	BOLT - M10 x 25	4
9	53110332	WASHER - PLAIN ID = 10mm	4
10	49252202	BOLT - M10 x 20 L	2
11	53110332	WASHER - PLAIN ID = 10mm	2
12	02423467	COVER - FUSE BOX	1
13	02428772	PLATE	2

ENGINE HOOD - V1

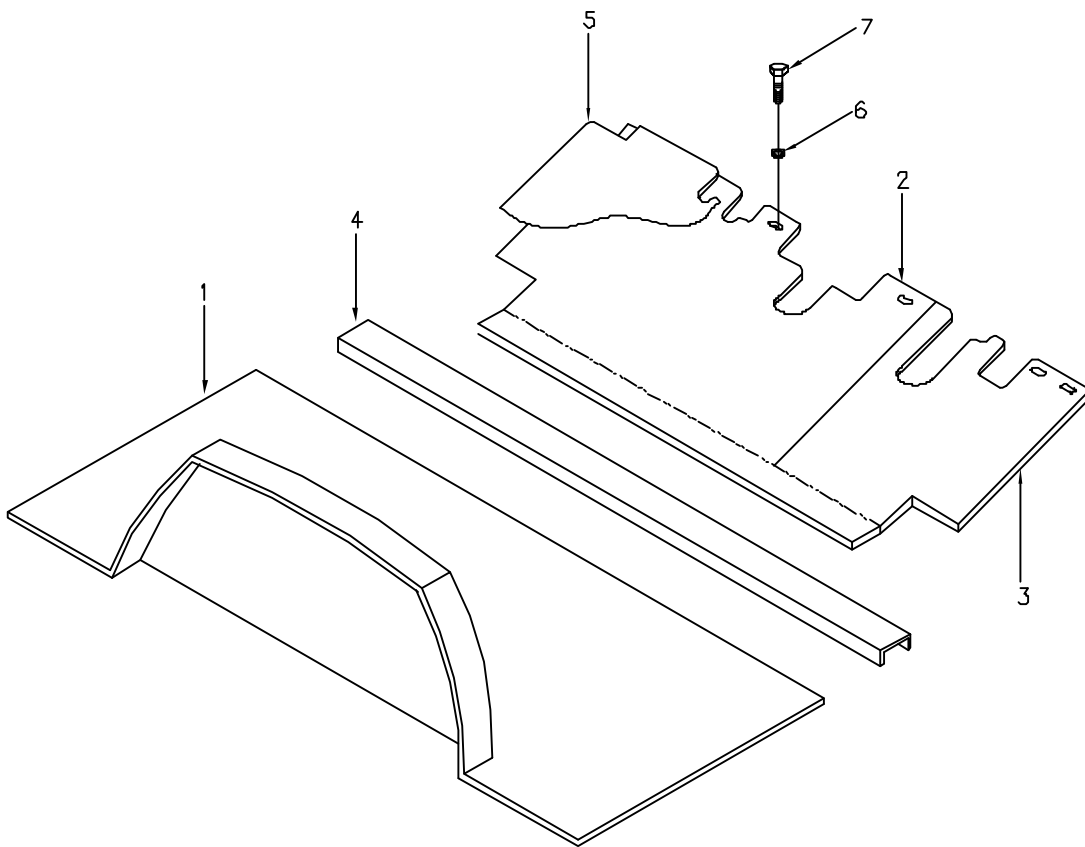


ENGINE HOOD

SR.NO.	ITEM CODE	PART DESCRIPTION	QTY.
1	02376147	HOOD - ENGINE	1
2	38600002	SPRING - GAS	4
3	02354237	RUBBER - STOP	2
4	02320744	BRACKET-LATCH-BODY MOUNTED	1
5	02354774	HINGE	2
6	38600006	BEADING (4.3 mm)	1
7	04250183	BOLT M6 X 18 L	4
8	51102676	HEX CAP SCREW - M8 x 25 L	10
9	52414356	NUT - M6 x 1 P	5
10	02427704	BRACKET - LATCH - HOOD MOUNTED	1
11	52414509	NUT- M8 X 1.25 P	4
12	53110332	WASHER – PLAIN ID=10 mm	2
13	53130149	WASHER – PLAIN ID=8 mm	2
14	0235010	STRIP - WETHER	1
15	53110316	WASHER – PLAIN ID=6mm	4
16	*02354790	PROFILE	1
17	*02354802	SPONGE	1
18	*02354815	SPONGE	1
19	*02354828	SPONGE	1
20	*02354831	SPONGE	1
21	*02354844	SPONGE	1

ITEMS MARKED * ARE NOT AVAILABLE SEPARATE.
BUT AS A OF KIT = 02429258

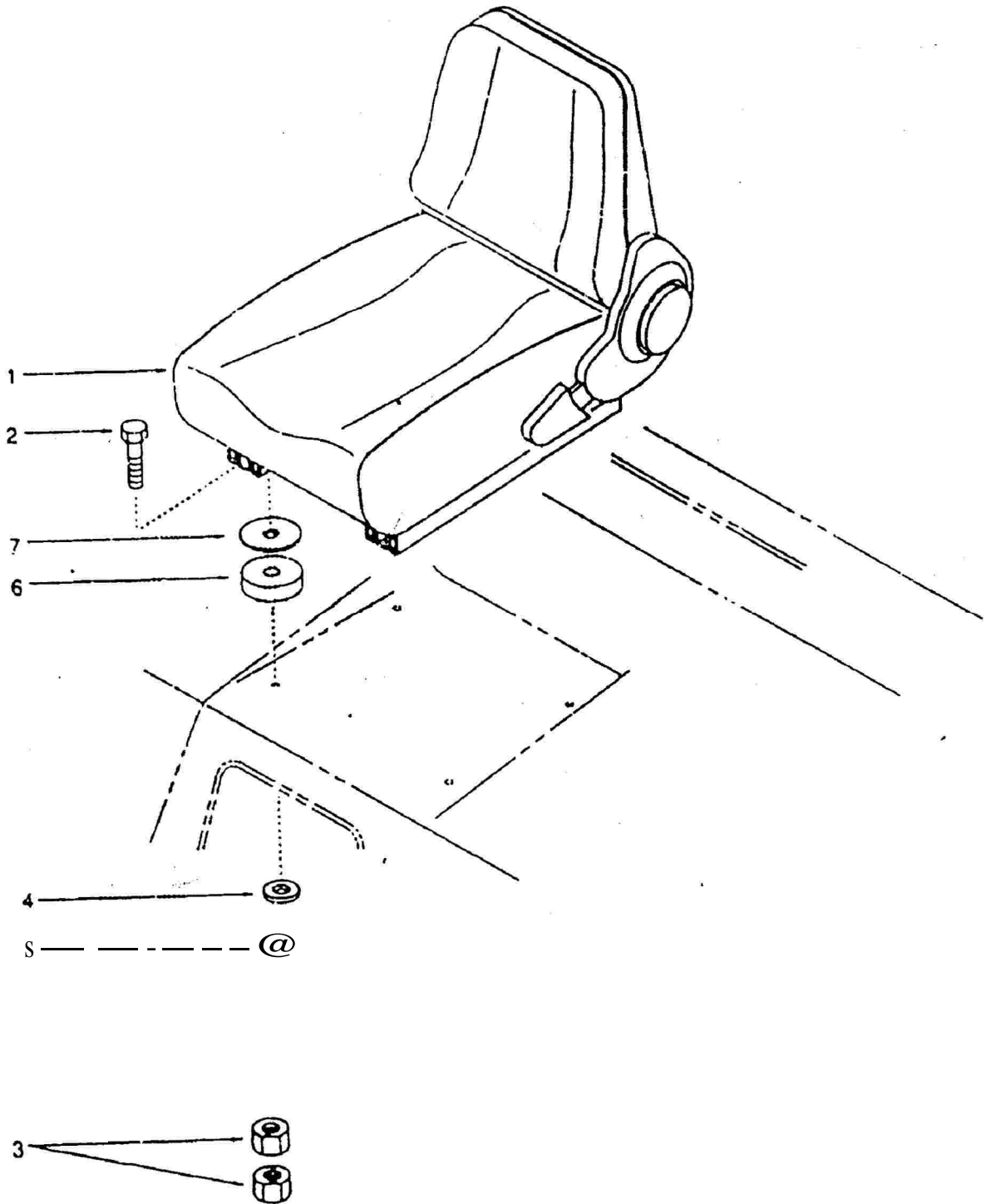
FLOOR PLATE



FLOOR PLATE

SR.NO.	ITEM CODE	PART DESCRIPTION	QTY.
1	02377681	FLOOR PLATE REAR	1
2	02377665	FLOOR PLATE AY - FRT, LH	1
3	02377678	FLOOR PLATE - FRONT, RH	1
4	02354703	BRACKET	1
5	02354729	FLOOR MAT	1
6	53110332	WASHER PLAIN ID = 10mm	5
7	49252202	BOLT M10 X 20	5
8	86300002	WETHER STRIP - FLOOR PLATE (NO SHOWN IN THE FIG.)	1

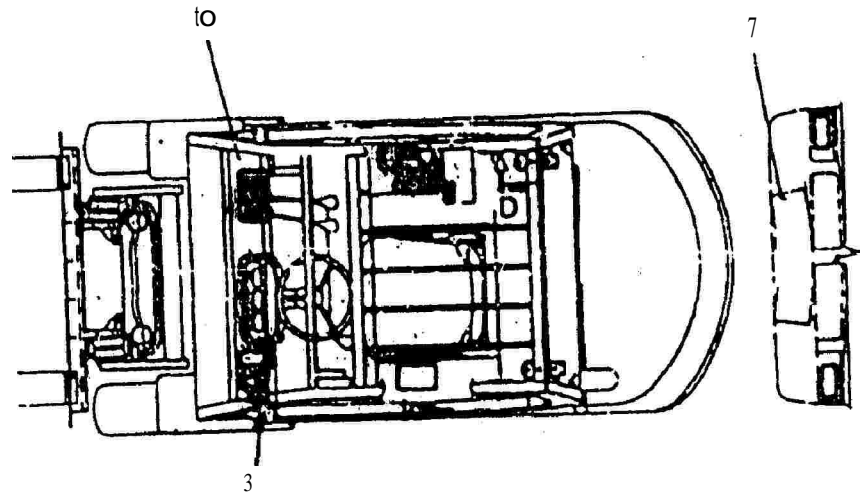
SEAT



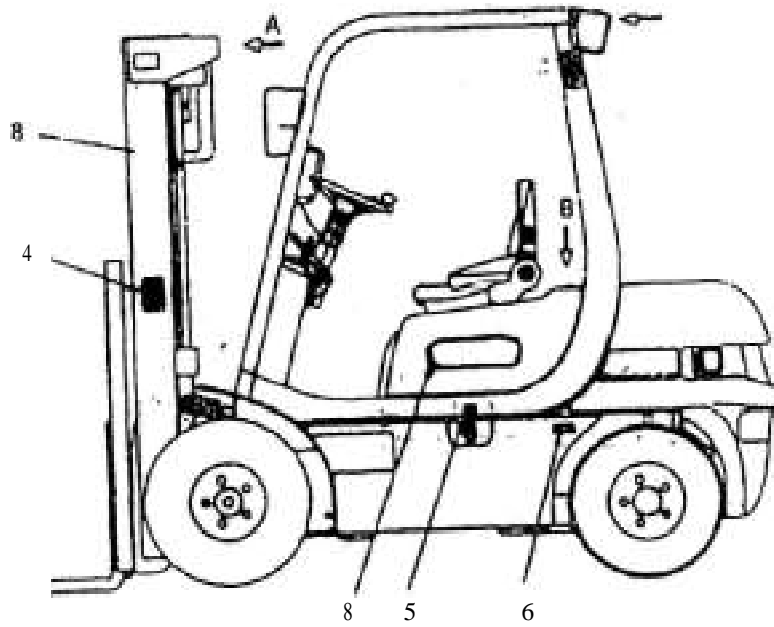
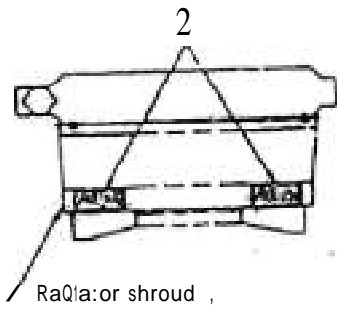
SEAT

SR.NO.	ITEM CODE	PART DESCRIPTION	QTY.
1	02354927	SEAT ASSLY	1
2	49251403	BOLT - M8 x 40	4
3	52414509	NUT - M8 x 1.25	4
4	53110316	WASHER - PLAIN ID = 8mm	4
5	02354729	WASHER - SPRING ID = 8mm	4
6	02354240	RUBBER - CUSHION	4
7	02354253	WASHER - PLAIN	4

DECAL



View A

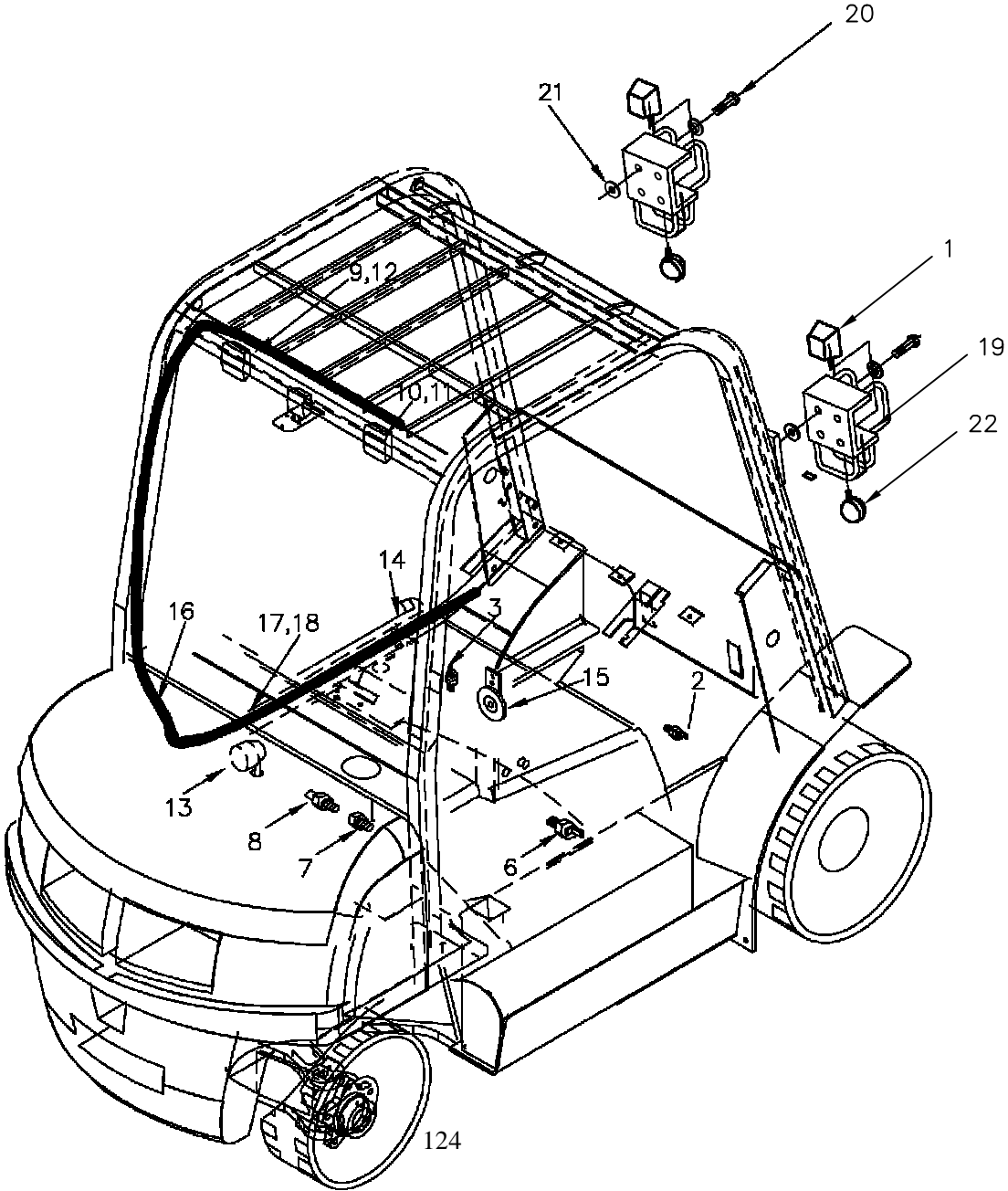


DECAL

SR.NO.	ITEM CODE	PART DESCRIPTION	QTY.
1	02354972	DECAL - HAND SAFETY	1
2	02354097	DECAL - FAN WARNING	2
3	02354998	DECAL - WARNING DRIVE	1
4	02354969	DECAL - FORK SAFETY	2
5	02354084	DECAL - FUEL DIESEL	1
6	02354955	DECAL - TYRE	2
7	02428884	GODREJ LOGO STICKER - ON HOOD & CWT.	3
8	02428897	GODREJ LOGO STICKER - ON UPRIGHT	1
9	02360920	CAPACITY CHART - GX 150	1
	02428826	CAPACITY CHART - GX 200	1
	02428839	CAPACITY CHART - GX 250	1
	02428842	CAPACITY CHART - GX 300	1
10	02358590	DEACAL - CATION	1

ELECTRICALS

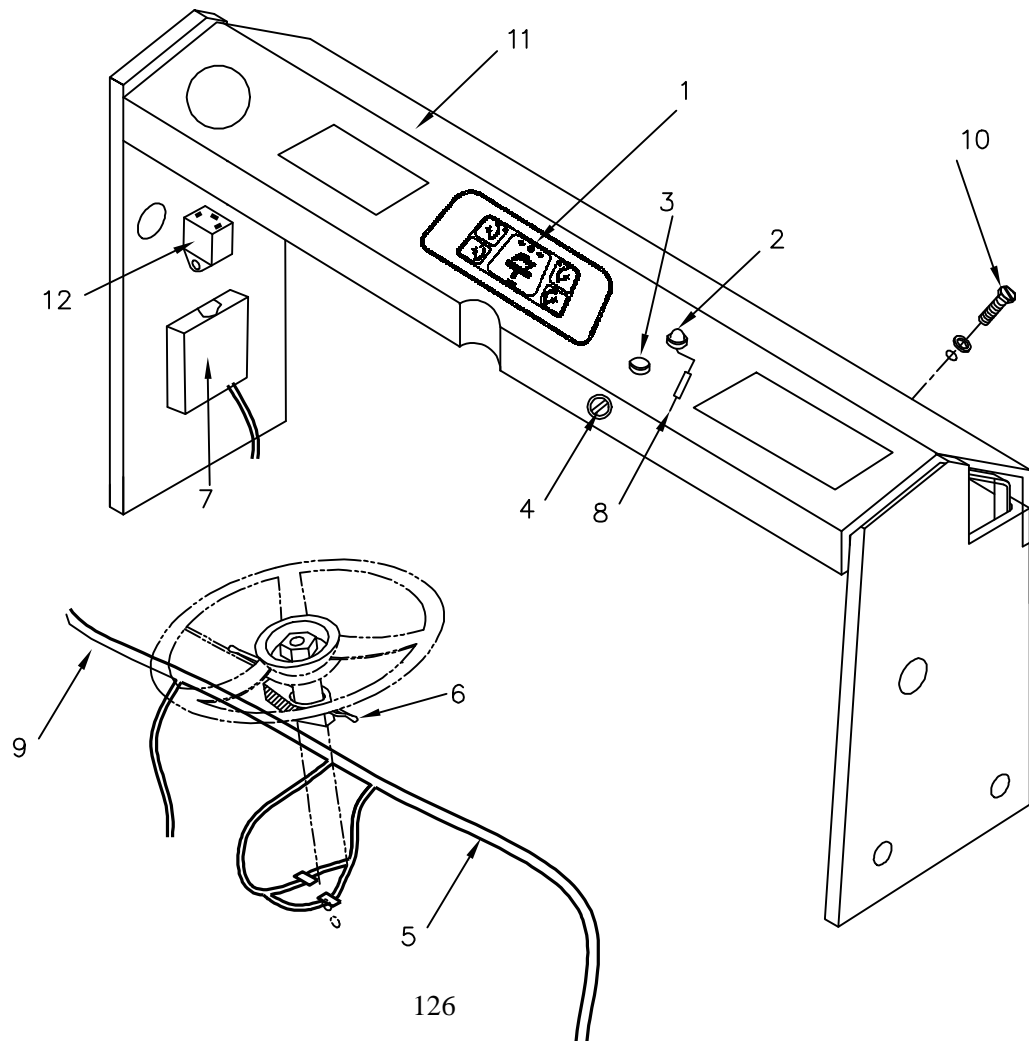
ELECTRICAL COMPONENTS



ELECTRICAL COMPONENT

SR.NO.	ITEM	PART DESCRIPTION	
1	02041873	HEAD LAMP ASSEMBLY	3
2	N/A		
3	62090249	LIMIT S/W FOR ELEC. INCHING	1
4	02293161	PLUG SOLENOID VALVE (OPTIONAL)	3
5	02292614	ENGINE STOP SOLENOID (OPTIONAL 4SP)	1
6	38200003	OIL PRESSURE SENSOR UNIT	1
7	38200004	WATER TEMPERATURE SENSOR UNIT	1
8	02428008	ADAPTER FOR WATER TEMP. SENSOR	1
9	02379445	TAIL LIGHT MOUNTING BKT (V1 OHG)	1
10	02379458	TAIL LIGHT MOUNTING BKT (V1 OHG)	1
11	02901833	TAIL LIGHT (V1 OHG)	1
12	02901833	TAIL LIGHT (V1 OHG)	1
13	59073004	REVERSE HORN 12V	1
14	38200002	FUEL TANK UNIT	1
15	02006589	HORN	1
16	71300122	BODY LOOM (ELEC. INCH.+CONT. --	1
17	71300041	CABLE TIES	15
18	NA		8
19	02421111	HEAD LIGHT MOUNTING BRACKET	2
20	49252202	BOLT M10	4
21	53110332	WASHER	8
22	02905380	DIRECTION INDICATOR	2

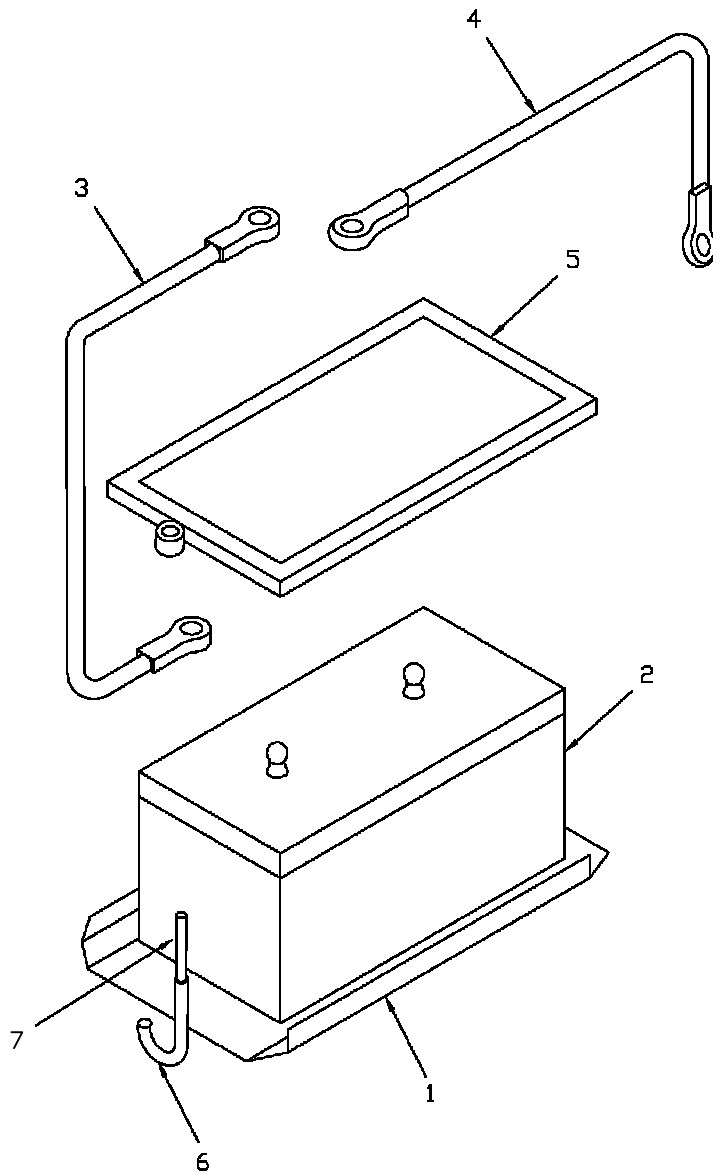
ELECTRICAL COWL GROUP



ELECTRICAL COWL GROUP - GX SERIES

SR.NO.	ITEM CODE	PART DESCRIPTION	QTY.
1	38200001	INSTRUMENT CLUSTER (C10 0880)	1
2	60008222	LED INDICATOR LAMP RED 12V	1
3	71500008	TEKNIC ACTUATOR S/W	1
4	02011952	IGNITION SWITCH	1
5	71300121	COWL L1(ELEC. INCH.+CONT. -- 4SP \	1
6	71500031	HEAD+TAIL+IND. LIGHT SWITCH (With	1
7	71300087	FOR/NEUT/REV)	1
8	62367512	RESISTOR 33 OHM	1
9	71300089	COWL L2 (H/T/SIG. LIGHTS - V1	1
10	60200015	MS SREW 2BA x 1" LENGTH	4
11	02421210	DASH PANEL	1
12	95951429	FLASHER 12V ELECTRONIC	1

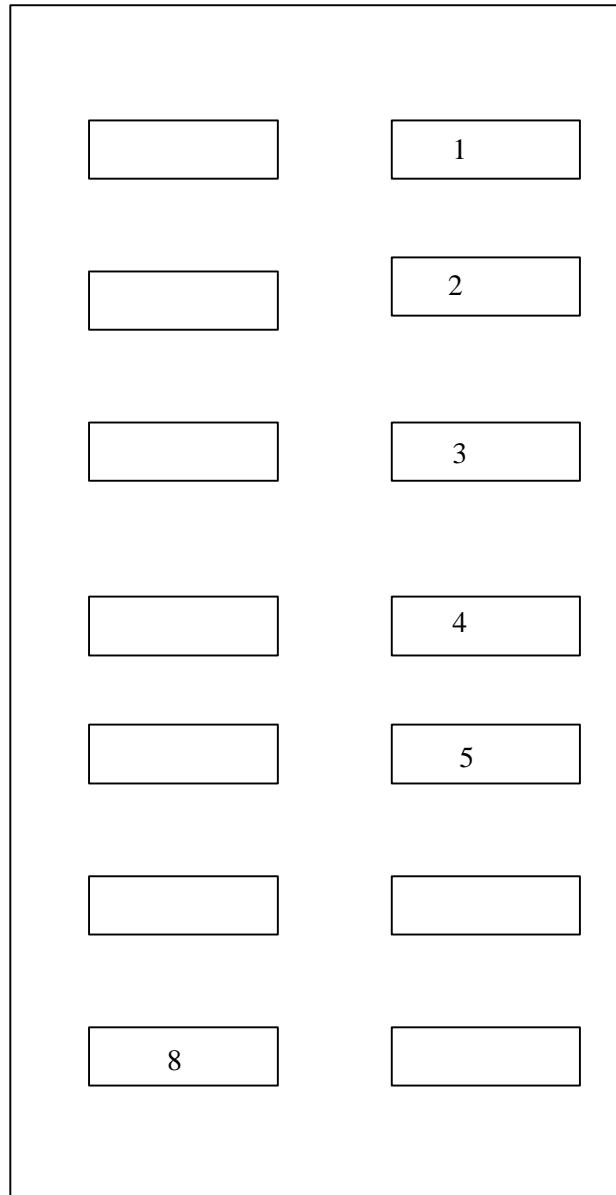
BATTERY & BATTERY MOUNTING PARTS



BATTERY AND BATTERY MOUNTING PART

SR.NO.	ITEM CODE	PART DESCRIPTION	QTY
1	02420445	TRAY BATTERY	1
2	72200001	BATTERY 12V ,80 AH	1
3	02038573	CABLE BATTERY TO STARTER	1
4	02038560	CABLE BATTERY TO EARTH	1
5	02424058	CLAMP BATTERY	1
6	71500023	FIBRE GLASS INSULATING	2
7	02354071	J - BOLT	2

FUSE BOX - ASSEMBLY



FUSE BOX ASSEMBLY

SR.NO.	ITEM CODE	PART DESCRIPTION	QTY.
	71300087	FUSE BOX (H/T/SIG LIGHTS – V1	
1	71500086	MAIN SUPPLY FUSE (40Amp)	1
2	95953733	STARTER CKT. FUSE (15Amp)	1
3	95953717	HEAD & TAIL LIGHTS FUSE (20Amp)	1
4	95953733	INDICATOR LIGHTS FUSE (15Amp)	1
5	95953733	PRICOL INSTR. CLUSTER FUSE	1
6	95953733	LPG/EMS/AUX. FUSE (15Amp)	1
7	95953733	REVERSE FUSE (15Amp)	1
8	95953733	HORN FUSE (15Amp)	1
* *	71300059 71500086	SINGLE FUSE BOX (STARTER CKT.) MARUTI TYPE FUSE 40Amp	2 2

Items marked * are located in the wiring loom coming out of the starter.

SPECIAL REQUIREMENT : ELECTRICAL (INCHING+CONTROL) & KSI
“OFF”



5

7

6

8



3

4

1

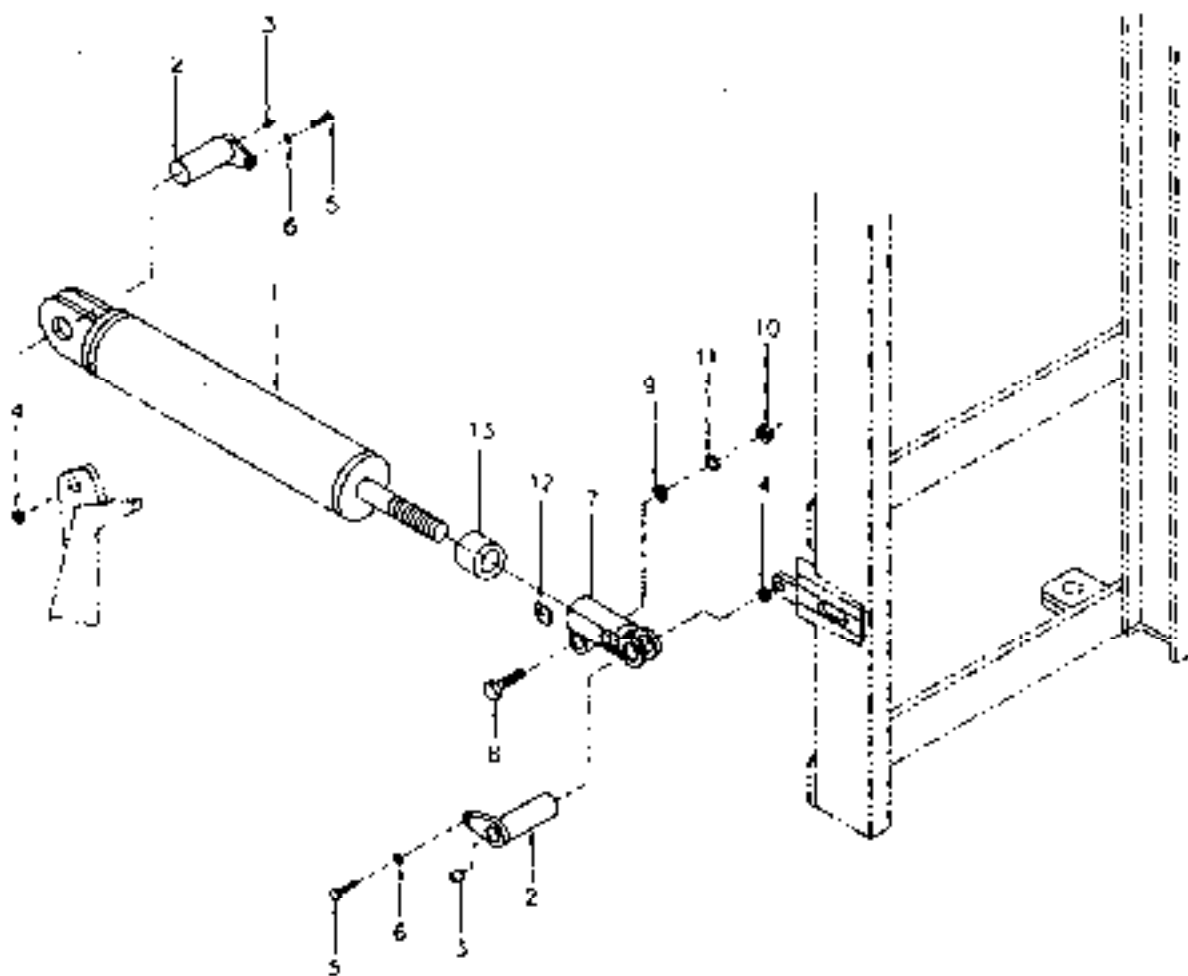
2

**SPECIAL REQUIREMENT : ELECTRICAL (INCHING+CONTROL) & KSI
"OFF"**

SR.NO. QTY.	ITEM CODE	PART DESCRIPTION	
1	02413297	OIL TIGHT LIMIT SWITCH MTG. BKT.	1
2	62090249	OIL TIGHT LIMIT SW FOR ELECTRICAL	1
3	02413309	ENGINE SHUT UNIT MTG. BKT.	1
4	71500144	ENGINE SHUT UNIT (ESU)	1
5	02412977	STOP SOLENOID MOUNTING BRACKET	1
6	02292614	ENGINE STOP SOLENOID	1
7	02412977	STOP CABLE (ALTERNATIVE MECH.	1
8	71300124	ESU - LOOM	1

TILT CYLINDER

TILT CYLINDER



TILT CYLINDER AND MOUNTING

SR. NO	ITEM CODE	PART DESCRIPTION	QTY.
1	39400121	TILT CYL ASSLY -2000/3700(DANTAL)	2
	39400160	TILT CYL ASSLY -2000/3700 (WIPRO)	2
	39400378	TILT CYL ASSLY -2000/3700 (VELJAN)	2
	39400122	TILT CYL ASSLY -4000/5500(DANTAL)	2
	39400158	TILT CYL ASSLY -4000/5500 (WIPRO)	2
	39400426	TILT CYL ASSLY -4000/5500 (VELJAN)	2
	39400123	TILT CYL ASSLY -6000/7200(DANTAL)	2
	39400159	TILT CYL ASSLY -6000/7200 (WIPRO)	2
	39400428	TILT CYL ASSLY -6000/7200 (VELJAN)	2
1A	39400089	SEAL KIT TILT CYLINDER- (DANTAL)	
	39400653	SEAL KIT TILT CYLINDER- (WIPRO)	
	39400429	SEAL KIT TILT CYLINDER- (VELJAN)	
2	02425838	PIN	4
3	59500056	NIPPLE-GREASE M10x1	4
4	02360933	BEARING	4
5	49252202	BOLT-M10x20L	4
6	53130181	WASHER-SPRING M10	4
7	02367002	ROD END	2
8	49270002	BOLT-M16x15Px80L	2
9	53110415	WASHER-PLAIN M16	2
10	52415452	NUT-M16x1.5P	2
11	53130305	WASHER-SPRING M16	2
12	02367284	LOCK PLATE	2
13	86200005	EXTERNAL SPACER -4000-5000MFH	2
	86200006	EXTERNAL SPACER -6000-7000MFH	2