



Lubricant Manual (EP)



Lubricant Table

Type		Grade	Viscosity Grade (VG)	Brands						
				Sinopec	Mobile	Shell	Esso	BP	Caltex	Total
Hydraulic Oil	Antiwear Hydraulic Oil	ISO VG 46		L-HM46	DTE 25, AW46	Tellus 46	NUTO H 46	Energol HLP-HM 46	Rando HD 46	Azolla46
	Freezer Antiwear Hydraulic Oil (Cold Condition)	ISO VG 32		L-HV32	DTE 13M	Tellus T32	UNVIS N 32	Bartran HV 32	Rando HDZ 32	Equivis 32
	Freezer Antiwear Hydraulic Oil (Cold Condition)	ISO VG 15		L-HS15	DTE 11M	Tellus T15	/	Bartran HV 15	Rando HDZ 15	/
Gear Oil	Heavy Duty Gear Oil	GL-5	80W/90	80W/90 GL-5	Mobilube HD 80W-90	Spirax A	Esso Gear Oil GX 80W-90	/	Thuban GL-5 EP	TRANSMISSION TM
	MuS2 Lithium-based Grease	/	3	Grease(MuS2)	/	Alvania HDX2 Grease	/	Energrease L21-M	/	Multis MS3
Lubricating Grease	General Lithium-based Grease	/	3	Grease 3#	Mobilux EP 3	Alvania Grease R3	Beacon 3	Energrease LS3	Multifak EP3	Multis 3

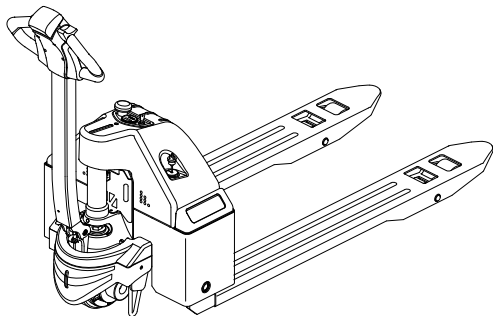
Note : When replacing the different brands of lubricants, please use the new brand of oil to clear the whole system firstly.

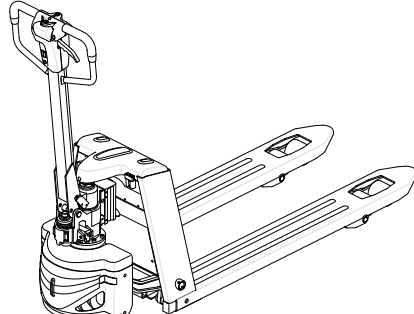
1.Electric Pallet Truck	1
	2 EPT20-15ET / EPT20-15ET2
	2 EPT20-15EHJ
	3 EPT20-20WA / EPT25-WA /EPT20-45WA / EPT20-18WA / EPT20-18WE
	3 EPT20-20RA / EPT20-20RAS /EPT20-RASH / EPT20-RASS / EPT20-RASC
	4 EPT20-18EA / EPT20-18ET
	4 EPT20-30RT / EPT20-35RT / EPT20-35RTS
	5 EPT20-WAR / EPT20-WARS
	5 EPT20-20Wai
2.Electric Stacker	7
	8 ES10-10ES / ES10-22DM /ES10-10MM / ES10-22MM / ES12-12ES / ES12-25DM / ES12-12MM / ES12-25MM / ES10-10ESJ / ES10-10ESR / ES15-15ES / ES15-33DM
	9 ES12-12MMi
	10 ES08-WAi
	11 ES10-10WA / ES12-12WA /ES14-14WA / ES16-16WA
	12 ES14-14RA / ES14-14RAS /ES16-16RA / ES16-16RAS
	13 ES10-10Wai / ES12-12Wai
	14 ES12-25WA / PDS25
	15 ES14-30WA / PDS30 ES18-40WA / PDS40
	16 ES10-10CA / ES12-12CS
	17 ES15-15CS
	18 ES06-CA
	19 ES10-CSE

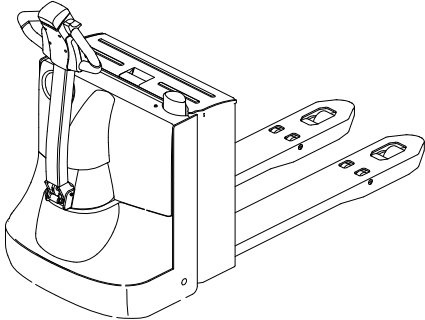
3.Reach Truck	21
22	CQD16RV / CQD16RVF / CQD20RV / CQD20RVF / CQD16NRV / CQD16NRVF
23	CQE12 / CQE12S / CQE15S / CQE15-A
24	CQD15S / CQD15S-E
4.Electric Forklift Truck	25
26	CPD12/15TVE3
27	CPD05/08/10TVE3
28	CPD13/15/16/18/20TV8 / CPD15TVR5 CPD15/18/20TV5 / CPD15/18T3
29	CPD15/18FT8 / CPD15/18/20FVD8 CPD15FJ5 / CPD15/18/20FVD5
30	CPD20/25FT8 / CPD25FVD8 / CPD20FJ5
31	CPD30/35FT8 / CPD30FVD8
32	CPD15/18F8
33	CPD20/25F8
5.Order picker	35
36	JX1
37	JX2-1 / JX2-3
38	EPT20-20RAP
6.Diesel/Gasoline Forklift Truck	39
40	CPD20/25/30/35T3
41	CPC(Q)D15/18T8
42	CPC(Q)D20/25/30/35T8
7.Others	43
44	QDD30 / QDD45 / QDD30S / QDD45S
44	QDD30T / QDD30T-C / QDD30TS / QDD30TS-C QDD60T / QDD60T-C / QDD60TS / QDD60TS-C

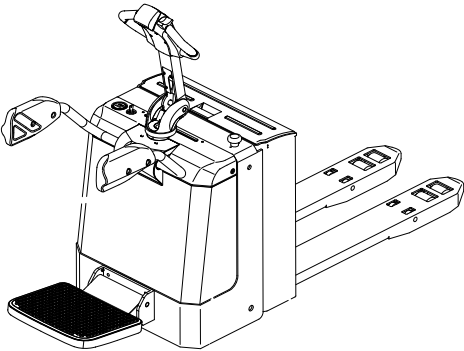
1 Electric Pallet Truck

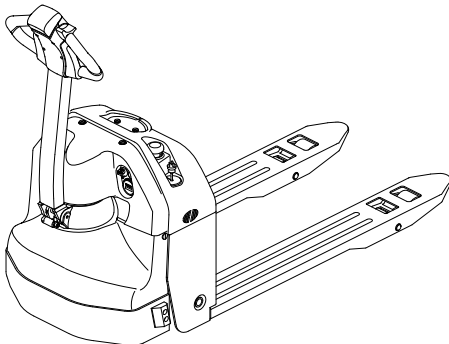


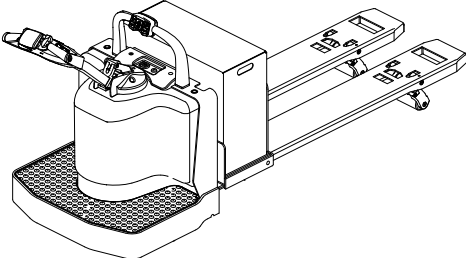
EPT20-15ET / EPT20-15ET2			
1.5t Economic Electric Pallet Truck			
Type	Oils (model)		Quantity
Hydraulic Oil	Antiwear Hydraulic Oil	L-HM 46	0.65 L / 0.17 Gal
	Freezer Antiwear Hydraulic Oil (Cold Condition)	L-HV 32	0.65 L / 0.17 Gal
Gear Oil	MuS ₂ Lithium-based Graese 3#	Grease(MuS ₂)	100 g
Lubricating Grease	General Lithium-based Grease 3#	Grease 3#	Appropriate

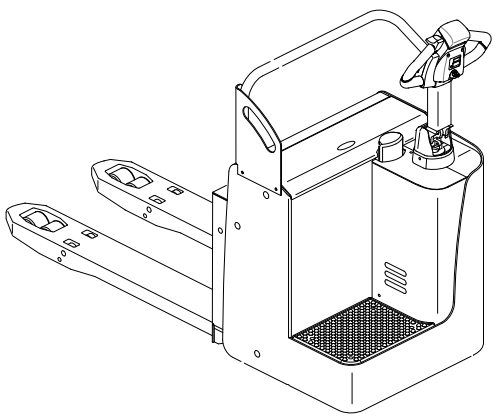
EPT20-15EHJ			
1.5t Semi-electric Pallet Truck			
Type	Oils (model)		Quantity
Hydraulic Oil	Antiwear Hydraulic Oil	L-HV 32	0.25~0.28 L / 0.066~0.074 Gal
	Freezer Antiwear Hydraulic Oil (Cold Condition)	L-HS15	0.25~0.28 L / 0.066~0.074 Gal
Gear Oil	MuS ₂ Lithium-based Graese 3#	Grease(MuS ₂)	100 g
Lubricating Grease	General Lithium-based Grease 3#	Grease 3#	Appropriate

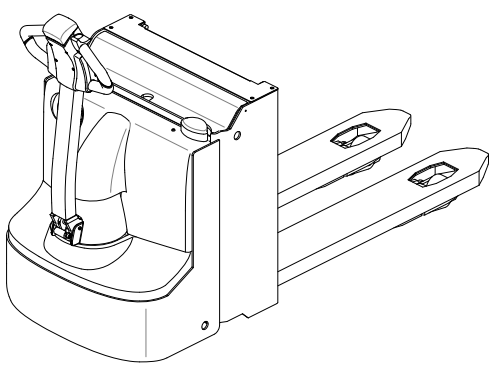
EPT20-20WA / EPT25-WA / EPT20-45WA / EPT20-18WA / EPT20-18WE / EPT20-18WJ			
1.8t/2.0t Walking Electric Pallet Truck			
Type	Oils (model)		Quantity
Hydraulic Oil	Antiwear Hydraulic Oil	L-HM 46	0.51 L / 0.14 Gal
	Freezer Antiwear Hydraulic Oil (Cold Condition)	L-HV 32	0.51 L / 0.14 Gal
Gear Oil	Heavy Duty Gear Oil	80W-90 (GL-5)	1.38 L / 0.37 Gal
Lubricating Greas	General Lithium-based Grease 3#	Grease 3#	Appropriate

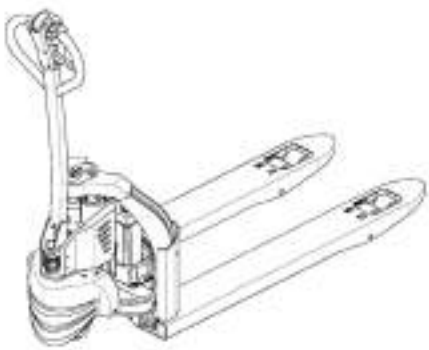
EPT20-20RA / EPT20-20RAS / EPT20-RASH / EPT20-RASS / EPT20-RASC			
2.0t Riding Electric Pallet Truck			
Type	Oils (model)		Quantity
Hydraulic Oil	Antiwear Hydraulic Oil	L-HM 46	0.54 L / 0.15 Gal
	Freezer Antiwear Hydraulic Oil (Cold Condition)	L-HV 32	0.54 L / 0.15 Gal
Gear Oil	Heavy Duty Gear Oil	80W-90 (GL-5)	1.38 L / 0.37 Gal
Lubricating Greas	General Lithium-based Grease 3#	Grease 3#	Appropriate

EPT20-18EA / EPT20-18ET			
1.8t Electric Pallet Truck			
Type	Oils (model)		Quantity
Hydraulic Oil	Antiwear Hydraulic Oil	L-HM 46	0.50 L / 0.14 Gal
	Freezer Antiwear Hydraulic Oil (Cold Condition)	L-HV 32	0.50 L / 0.14 Gal
Gear oil	Heavy Duty Gear Oil	80W-90 (GL-5)	1.38 L / 0.37Gal
Lubricating Grease	General Lithium-based Grease 3#	Grease 3#	Appropriate

EPT20-30RT / EPT20-35RT / EPT20-35RTS			
Large-tonnage Electric Pallet Truck			
Type	Oils (model)		Quantity
Hydraulic Oil	Antiwear Hydraulic Oil	L-HM 46	0.88 L / 0.24 Gal
	Freezer Antiwear Hydraulic Oil (Cold Condition)	L-HV 32	0.88 L / 0.24 Gal
Gear oil	Heavy Duty Gear Oil	80W-90 (GL-5)	1.75 L / 0.63 Gal
Lubricating Grease	General Lithium-based Grease 3#	Grease 3#	Appropriate

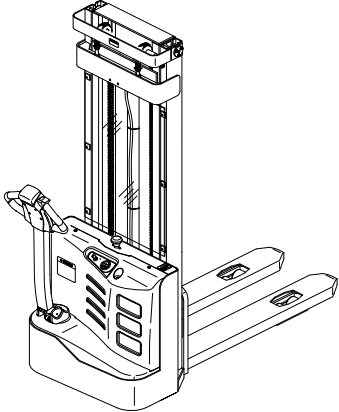
EPT20-WAR / EPT20-WARS			
2.0t Side Sitting Electric Pallet Truck			
Type	Oils (model)		Quantity
Hydraulic Oil	Antiwear Hydraulic Oil	L-HM 46	0.65 L / 0.17 Gal
	Freezer Antiwear Hydraulic Oil (Cold Condition)	L-HV 32	0.65 L / 0.17 Gal
Gear oil	Heavy Duty Gear Oil	80W-90 (GL-5)	1.38 L / 0.37 Gal
Lubricating Grease	General Lithium-based Grease 3#	Grease 3#	Appropriate

EPT20-20WAi			
2.0t Double-lifting Electric Pallet Truck			
Type	Oils (model)		Quantity
Hydraulic Oil	Antiwear Hydraulic Oil	L-HM 46	1.1 L / 0.29 Gal
	Freezer Antiwear Hydraulic Oil (Cold Condition)	L-HV 32	1.1 L / 0.29 Gal
Gear oil	Heavy Duty Gear Oil	80W-90 (GL-5)	1.38 L / 0.37 Gal
Lubricating Grease	General Lithium-based Grease 3#	Grease 3#	Appropriate

EPT12-EZ			
1.2t Electric Pallet Truck			
Type	Oils (model)		Quantity
Hydraulic Oil	Antiwear Hydraulic Oil	L-HM 46	0.16~0.18 L / 0.04~0.05 Gal
	Freezer Antiwear Hydraulic Oil (Cold Condition)	L-HV 32	0.16~0.18 L / 0.04~0.05 Gal
Gear oil	MuS2 Lithium-based Grease 3#	Grease(MuS ₂)	100 g
Lubricating Grease	Multifunctional Grease	Polylub GA352P	Appropriate

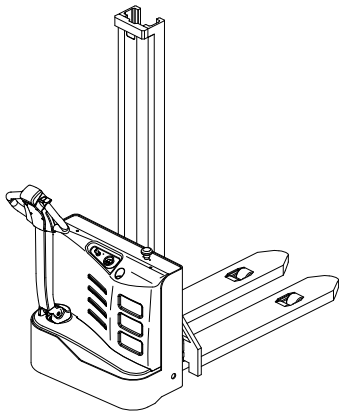
2 Electric Stacker



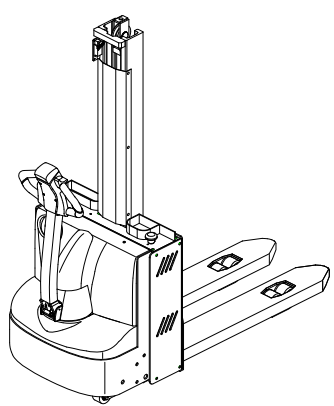
ES10-10ES / ES10-22DM / ES10-10MM / ES10-22MM / ES12-12ES / ES12-25DM / ES12-12MM / ES12-25MM / ES10-10ESJ / ES10-10ESR / ES15-15ES / ES15-33DM	
1.0t/1.2t/1.5t Economic Electric Stacker	

Type	Oils (model)		Quantity
Hydraulic Oil	Antiwear Hydraulic Oil	L-HM 46	See the table below
	Freezer Antiwear Hydraulic Oil (Cold Condition)	L-HV 32	
Gear Oil	MuS2 Lithium-based Graese 3#	Grease(MuS ₂)	100 g
Lubricating Grease	General Lithium-based Grease 3#	Grease 3#	Appropriate

Mast	Lifting Height (mm)	Quantity (L/Gal)
Single	1600 / 2000	3.8 / 1.00
Duplex	2300	4.0 / 1.06
	2500 / 2700	4.2 / 1.11
	3000	4.5 / 1.19
	3300 / 3600	4.8 / 1.27

ES12-12MMi			
1.2t Economic Double-lifting Electric Stacker			
Type	Oils (model)		Quantity
Hydraulic Oil	Antiwear Hydraulic Oil	L-HM 46	See the table below
	Freezer Antiwear Hydraulic Oil (Cold Condition)	L-HV 32	
Gear Oil	MuS2 Lithium-based Graese 3#	Grease(MuS ₂)	100 g
Lubricating Grease	General Lithium-based Grease 3#	Grease 3#	Appropriate

Mast	Lifting height (mm)	Quantity (L/Gal)
Single	1600	3.8 / 1.00
	2000	3.8 / 1.00

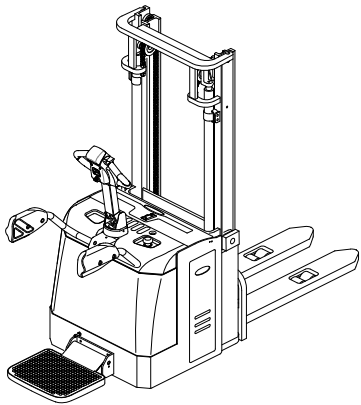
ES08-WAi			
0.8t Double-lifting Electric Stacker			
Type	Oils (model)		Quantity
Hydraulic Oil	Antiwear Hydraulic Oil	L-HM 46	See the table below
	Freezer Antiwear Hydraulic Oil (Cold Condition)	L-HV 32	
Gear Oil	Heavy Duty Gear Oil	80W-90 (GL-5)	1.38 L / 0.37 Gal
Lubricating Grease	General Lithium-based Grease 3#	Grease 3#	Appropriate

Mast	Lifting Height (mm)	Quantity (L/Gal)
Single	1580	2.5 L / 0.66 Gal

ES10-10WA / ES12-12WA / ES14-14WA / ES16-16WA			
1.0t/1.2t/1.4t /1.6t Biased Electric Stacker			
Type	Oils (model)		Quantity
Hydraulic Oil	Antiwear Hydraulic Oil	L-HM 46	See the table below
	Freezer Antiwear Hydraulic Oil (Cold Condition)	L-HV 32	
Gear Oil	Heavy Duty Gear Oil	80W-90 (GL-5)	1.38 L / 0.37 Gal
Lubricating Grease	General Lithium-based Grease 3#	Grease 3#	Appropriate

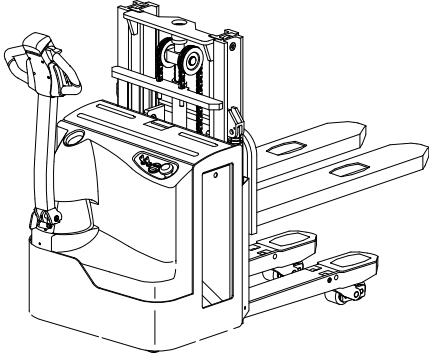
ES10-10WA / ES12-12WA		
Mast	Lifting Height (mm)	Quantity (L/Gal)
Duplex	2510 / 2710	4.0 / 1.06
	3010 / 3310	4.8 / 1.27
	3610	5.4 / 1.43
	3910	5.7 / 1.51
	4170	6.0 / 1.59
Dupelx Full Freelif	2700	7.9 / 2.09
	3000	8.7 / 2.30
	3300	9.5 / 2.51
Triplex Full Freelif	4000	8.4 / 2.22
	4500	9.1 / 2.40
	4800	9.5 / 2.51

ES14-14WA / ES16-16WA		
Mast	Lifting Height (mm)	Quantity (L/Gal)
Duplex Wide Vision	2700	5.2 / 1.37
	3000	5.8 / 1.53
	3300	6.3 / 1.66
	3600	6.9 / 1.82
	3900	7.5 / 1.98
	4190	8.0 / 2.11
Triplex Full Freelif	4000	8.4 / 2.22
	4500	9.1 / 2.40
	4800	9.5 / 2.51

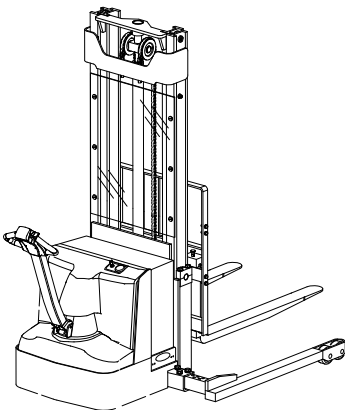
ES14-14RA / ES14-14RAS / ES16-16RA / ES16-16RAS / ES16-RS	
1.4t / 1.6t Pedal Electric Stacker	

Type	Oils (model)		Quantity
Hydraulic Oil	Antiwear Hydraulic Oil	L-HM 46	See the table below
	Freezer Antiwear Hydraulic Oil (Cold Condition)	L-HV 32	
Gear Oil	Heavy Duty Gear Oil	80W-90 (GL-5)	1.38 L / 0.37 Gal
Lubricating Grease	General Lithium-based Grease 3#	Grease 3#	Appropriate

Mast	Lifting Height (mm)	Quantity (L/Gal)
Duplex Wide Vision	2700	5.5 / 1.45
	3000	6.0 / 1.59
	3300	6.8 / 1.80
	3600	7.5 / 1.98
	3900	8.0 / 2.11
	4190	8.5 / 2.25
Duplex Full Freelift	2700	10.8 / 2.85
	3000	12.0 / 3.17
	3300	13.2 / 3.49
Triplex Full Freelift	4000	8.8 / 2.32
	4500	9.8 / 2.59
	4800	10.5 / 2.77

ES10-10Wai / ES12-12Wai			
1.0t/1.2t Double-lifting Electric Stacker			
Type	Oils (model)		Quantity
Hydraulic Oil	Antiwear Hydraulic Oil	L-HM 46	See the table below
	Freezer Antiwear Hydraulic Oil (Cold Condition)	L-HV 32	
Gear Oil	Heavy Duty Gear Oil	80W-90 (GL-5)	1.38 L / 0.37 Gal
Lubricating Grease	General Lithium-based Grease 3#	Grease 3#	Appropriate

Mast	Lifting Height (mm)	Quantity (L/Gal)
Duplex Wide Vision	1600	3.5 / 0.92
	2710	4.7 / 1.24
	3010	5.5 / 1.45
	3310	5.7 / 1.51
	3610	6.0 / 1.59

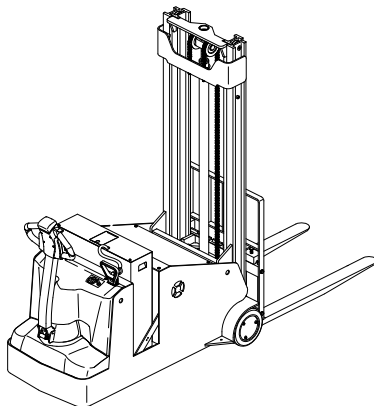
ES12-25WA / PDS25			
1.2t Wide Staddles Electric Stacker			
Type	Oils (model)		Quantity
Hydraulic Oil	Antiwear Hydraulic Oil	L-HM 46	See the table below
	Freezer Antiwear Hydraulic Oil (Cold Condition)	L-HV 32	
Gear Oil	Heavy Duty Gear Oil	80W-90 (GL-5)	1.38 L / 0.37 Gal
Lubricating Grease	General Lithium-based Grease 3#	Grease 3#	Appropriate

Mast	Lifting Height (mm)	Quantity (L/Gal)
Duplex Wide Vision	2470 / 2670	4.0 / 1.06
	2970 / 3270	4.8 / 1.27
	3570	5.4 / 1.43
	3870	5.7 / 1.51
Triplex Full Freelift	4000	7.9 / 2.09
	4500	8.6 / 2.27
	4800	9.0 / 2.38

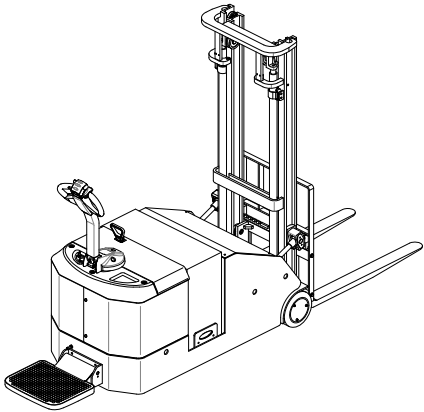
ES14-30WA / PDS30 ES18-40WA / PDS40	
1.4t/1.6t Wide Staddles Electric Stacker	

Type	Oils (model)		Quantity
Hydraulic Oil	Antiwear Hydraulic Oil	L-HM 46	See the table below
	Freezer Antiwear Hydraulic Oil (Cold Condition)	L-HV 32	
Gear Oil	Heavy Duty Gear Oil	80W-90 (GL-5)	1.38 L / 0.37 Gal
Lubricating Grease	General Lithium-based Grease 3#	Grease 3#	Appropriate

Mast	Lifting Height (mm)	Quantity (L/Gal)
Duplex Wide Vision	2470 / 2670	5.0 / 1.32
	2970 / 3270	6.1 / 1.61
	3570	6.8 / 1.80
	3870	7.2 / 1.90
Triplex Full Freelift	4000	8.8 / 2.32
	4500	9.8 / 2.59
	4800	10.5 / 2.77

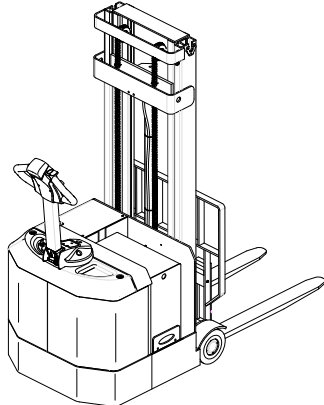
ES10-10CA / ES12-12CS			
1.0t / 1.2t Counterweight Electric Stacker			
Type	Oils (model)		Quantity
Hydraulic Oil	Antiwear Hydraulic Oil	L-HM 46	See the table below
	Freezer Antiwear Hydraulic Oil (Cold Condition)	L-HV 32	
Gear Oil	Heavy Duty Gear Oil	80W-90 (GL-5)	1.38 L / 0.37 Gal
Lubricating Grease	General Lithium-based Grease 3#	Grease 3#	Appropriate

Mast	Lifting Height (mm)	Quantity (L/Gal)
Duplex	2470 / 2670	5.0 / 1.32
	2970 / 3270	5.5 / 1.45
	3570	6.0 / 1.59
	3870	6.5 / 1.72
Duplex Full Freelift	2660	8.0 / 2.11
	2960	8.5 / 2.25
	3260	9.0 / 2.38
Triplex Full Freelift	4000	7.5 / 1.98
	4500	8.3 / 2.19
	4800	9.0 / 2.38

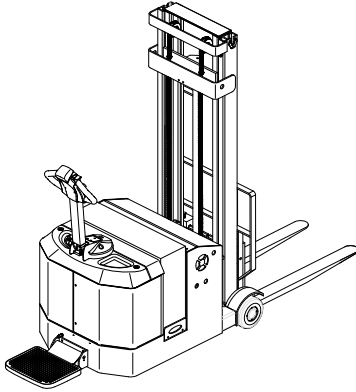
ES15-15CS	
1.5t Counterweight Electric Stacker	

Type	Oils (model)		Quantity
Hydraulic Oil	Antiwear Hydraulic Oil	L-HM 46	See the table below
	Freezer Antiwear Hydraulic Oil (Cold Condition)	L-HV 32	
Gear Oil	Heavy Duty Gear Oil	80W-90 (GL-5)	1.75 L / 0.46 Gal
Lubricating Grease	General Lithium-based Grease 3#	Grease 3#	Appropriate

Mast	Lifting Height (mm)	Quantity (L/Gal)
Duplex	2640	5.5 / 1.45
	3000	6.0 / 1.59
	3200	6.5 / 1.72
	3590	7.5 / 1.98
Duplex Full Freelift	2660	9.5 / 2.51
	2960	10.0 / 2.64
	3260	11.0 / 2.91
Triplex Full Freelift	4000	7.3 / 1.93
	4500	8.1 / 2.14
	4800	8.6 / 2.27

ES06-CA			
0.6t Counterweight Electric Stacker			
Type	Oils (model)		Quantity
Hydraulic Oil	Antiwear Hydraulic Oil	L-HM 46	See the table below
	Freezer Antiwear Hydraulic Oil (Cold Condition)	L-HV 32	
Gear Oil	Heavy Duty Gear Oil	80W-90 (GL-5)	1.38 L / 0.37 Gal
Lubricating Grease	General Lithium-based Grease 3#	Grease 3#	Appropriate

Mast	Lifting Height (mm)	Quantity (L/Gal)
Duplex	2470	4.5 / 1.19
	2670	4.9 / 1.29
	2970	5.3 / 1.40
	3270	5.8 / 1.53

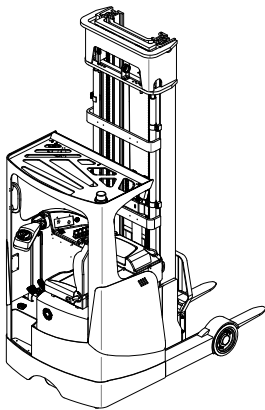
ES10-CSE			
1.0t Counterweight Electric Stacker			
Type	Oils (model)		Quantity
Hydraulic Oil	Antiwear Hydraulic Oil	L-HM 46	See the table below
	Freezer Antiwear Hydraulic Oil (Cold Condition)	L-HV 32	
Gear Oil	Heavy Duty Gear Oil	80W-90 (GL-5)	1.38 L / 0.37 Gal
Lubricating Grease	General Lithium-based Grease 3#	Grease 3#	Appropriate

Mast	Lifting Height (mm)	Quantity (L/Gal)
Duplex	2470	5.0 / 1.32
	2670	5.0 / 1.32
	2970	5.5 / 1.45
	3270	5.5 / 1.45

EP中力

3 Reach Trcuk



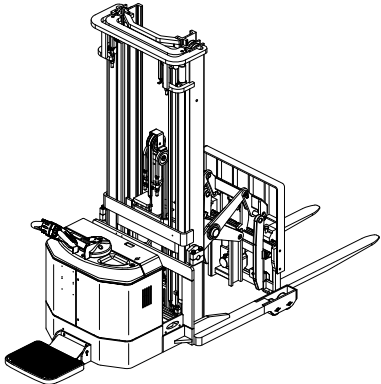
CQD16RV / CQD16RVF / CQD20RV / CQD20RVF / CQD16NRV / CQD16NRVF	
1.6t /2.0t Reach Truck	

Type	Oils (model)		Quantity
Hydraulic Oil	Antiwear Hydraulic Oil	L-HM 46	See the table below
	Freezer Antiwear Hydraulic Oil (Cold Condition)	L-HV 32	
Gear Oil	Heavy Duty Gear Oil	Mobil ATF220	3.3 L / 0.87 Gal
Lubricating Grease	General Lithium-based Grease 3#	Grease 3#	Appropriate
Brake Fluid	Vehicle Synthetic Brake Fluid	ZSM207 DOT 3	2/3 bottle after exhaust

Mast	Lifting Height (mm)	Quantity (L/Gal)
Duplex Wide Vision	2700	11.2 / 2.96
	3000	12.0 / 3.17
	3300	12.7 / 3.35
	3640	13.6 / 3.59
	4000	14.6 / 3.86
	4300	15.4 / 4.07
	4520	16.0 / 4.23
	5000	17.2 / 4.54
	5480	18.5 / 4.89
6000	20.0 / 5.28	

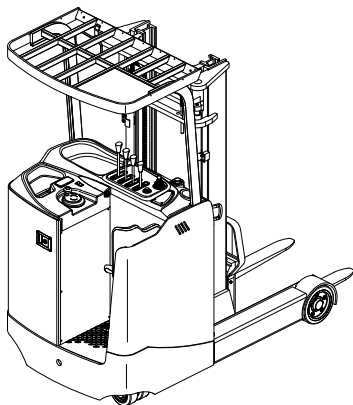
Mast	Lifting Height (mm)	Quantity (L/Gal)
Triplex Full Freelift	4050	17.1 / 4.52
	4500	18.5 / 4.89
	5000	20.2 / 5.34
	5500	21.8 / 5.76
	6000	23.4 / 6.18
	6500	25.0 / 6.60
	7000	26.7 / 7.05
	7500	28.3 / 7.48
	8000	29.9 / 7.90
	8500	31.5 / 8.32
	9000	33.1 / 8.74
	9500	34.7 / 9.17
	10000	36.4 / 9.62
	10500	38.0 / 10.04
	11000	39.6 / 10.46

***Note:** The quantity of hydraulic oil is calculated based on no oil in the system

CQE12 / CQE12S CQE15S / CQE15-A				
1.2t / 1.5t Scissors-fork Reach Stacker				
Type	Oils (model)		Quantity	
Hydraulic Oil	Antiwear Hydraulic Oil	L-HM 46	See the table below	
	Freezer Antiwear Hydraulic Oil (Cold Condition)	L-HV 32		
Gear Oil	Heavy Duty Gear Oil	80W-90 (GL-5)	CQE12-	1.38L / 0.37Gal
			CQE15-	1.75 L / 0.46Gal
Lubricating Grease	General Lithium-based Grease 3#	Grease 3#	Appropriate	

Mast	Lifting Height (mm)	Quantity (L/Gal)
Duplex Wide Vision	2700	13.7 / 3.62
	3000	14.3 / 3.78
	3300	14.9 / 3.94
	3600	15.5 / 4.09
	4000	16.2 / 4.28
	4300	16.7 / 4.41
Triplex Full Freelift	4000	15.0 / 4.96
	4500	16.0 / 4.23
	4800	16.5 / 4.36
	5000	17.0 / 4.49
	5500	18.0 / 4.76

***Note:** The quantity of hydraulic oil is calculated based on no oil in the system

CQD15S / CQD15S-E	
1.5t Standing Reach Stacker	

Type	Oils (model)		Quantity
Hydraulic Oil	Antiwear Hydraulic Oil	L-HM 46	See the table below
	Freezer Antiwear Hydraulic Oil (Cold Condition)	L-HV 32	
Gear Oil	Heavy Duty Gear Oil	80W-90 (GL-5)	1.75 L / 0.46 Gal
Lubricating Grease	General Lithium-based Grease 3#	Grease 3#	Appropriate

Mast	Lifting Height (mm)	Quantity (L/Gal)
Duplex Wide Vision	2700	14.0 / .370
	3000	14.5 / 3.83
	3300	15.0 / 3.96
	3600	15.5 / 4.09
	4000	16.0 / 4.23
	4300	16.5 / 4.36
Triplex Full Freelift	4000	18.0 / 4.76
	4500	18.5 / 4.89
	5000	19.0 / 5.02
	5500	19.5 / 5.15
	6000	20.5 / 5.42
	6500	22.5 / 5.94
	7000	23.5 / 6.21
7500	24.0 / 6.34	

***Note:** The quantity of hydraulic oil is calculated based on no oil in the system

4 Electric Forklift Truck

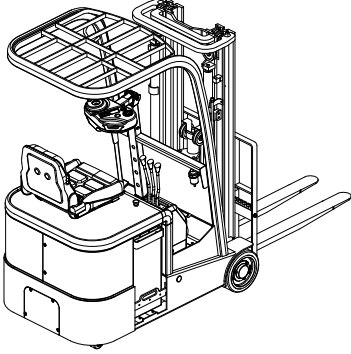


<p>CPD05/08/10/12/TVE3</p>	
<p>0.5t/0.8t/1.0t/1.2t Three-wheel Rear-drive Electric Forklift Truck</p>	

Type	Oils (model)		Quantity
Hydraulic Oil	Antiwear Hydraulic Oil	L-HM 46	See the table below
	Freezer Antiwear Hydraulic Oil (Cold Condition)	L-HV 32	
Gear Oil	Heavy Duty Gear Oil	80W-90 (GL-5)	1.38 L / 0.37 Gal
Lubricating Grease	General Lithium-based Grease 3#	Grease 3#	Appropriate
Brake Fluid	Vehicle Synthetic Brake Fluid	ZSM207 DOT 3	2/3 bottle after exhaust

Mast	Lifting Height (mm)	Quantity (L/Gal)
Duplex	2430	11.5 / 3.04
	2630	12.0 / 3.17
	2930	12.5 / 3.30
	3230	13.0 / 3.43
	3430 / 3530 / 3630	14.0 / 3.70
	3830	15.0 / 3.96
Triplex Full Freelift	4000	15.0 / 3.96
	4500	16.0 / 4.23

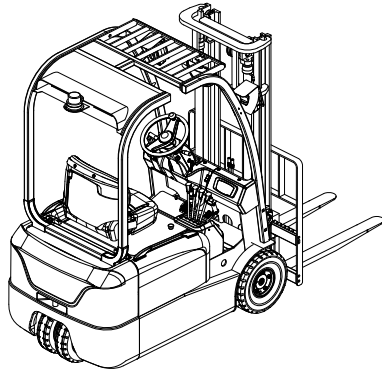
***Note:** The quantity of hydraulic oil is calculated based on no oil in the system

CPD15TVE3	
1.5t Three-wheel Rear-drive Electric Forklift Truck	

Type	Oils (model)		Quantity
Hydraulic Oil	Antiwear Hydraulic Oil	L-HM 46	See the table below
	Freezer Antiwear Hydraulic Oil (Cold Condition)	L-HV 32	
Gear Oil	Heavy Duty Gear Oil	80W-90 (GL-5)	1.38 L / 0.37 Gal
Lubricating Grease	General Lithium-based Grease 3#	Grease 3#	Appropriate
Brake Fluid	Vehicle Synthetic Brake Fluid	ZSM207 DOT 3	2/3 bottle after exhaust

Mast	Lifting Height (mm)	Quantity (L/Gal)
Duplex	2250	14.5 / 3.83
	2450	15.0 / 3.96
	2650	15.5 / 4.09
	2850	16.0 / 4.23
	2950	16.0 / 4.23
	3250	16.5 / 4.36

***Note:** The quantity of hydraulic oil is calculated based on no oil in the system

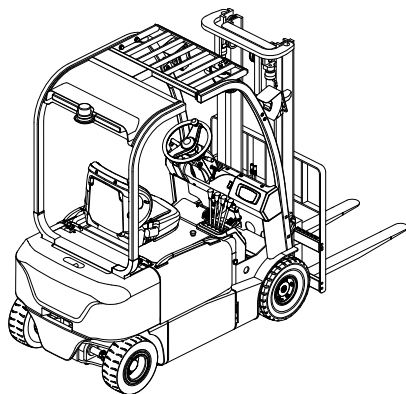
CPD13/15/16/18/20TV8 CPD15TVR5 CPD15/18/20TV5 CPD15/18T3	
Three-wheel Electric Forklift Truck	

Type	Oils (model)		Quantity
Hydraulic Oil	Antiwear Hydraulic Oil	L-HM 46	See the table below
	Freezer Antiwear Hydraulic Oil (Cold Condition)	L-HV 32	
Gear Oil	Heavy Duty Gear Oil	Mobil ATF220	0.35 L / 0.09 Gal
Lubricating Grease	General Lithium-based Grease 3#	Grease 3#	Appropriate
Brake Fluid	Vehicle Synthetic Brake Fluid	ZSM207 DOT 3	2/3 bottle after exhaust

Mast	Lifting Height (mm)	Quantity (L/Gal)
Duplex Wide Vision	2000	15.3 / 4.04
	2500	16.1 / 4.25
	2700	16.4 / 4.33
	3000	16.9 / 4.46
	3300	17.3 / 4.57
	3500	17.7 / 4.68
	3600	17.8 / 4.70
	4000	18.5 / 4.89
	4250	18.9 / 4.99
4500	19.3 / 5.10	

Mast	Lifting Height (mm)	Quantity (L/Gal)
Duplex Full Freelift	2500	19.0 / 5.02
	2700	19.6 / 5.18
	3000	20.4 / 5.39
	3300	21.3 / 5.63
	3600	22.0 / 5.81
	4000	23.0 / 6.08
Triplex Full Freelift	4350	20.8 / 5.49
	4500	21.1 / 5.57
	4800	21.7 / 5.73
	5000	22.1 / 5.84
	5500	22.9 / 6.05
	6000	23.9 / 6.31

***Note:** The quantity of hydraulic oil is calculated based on no oil in the system

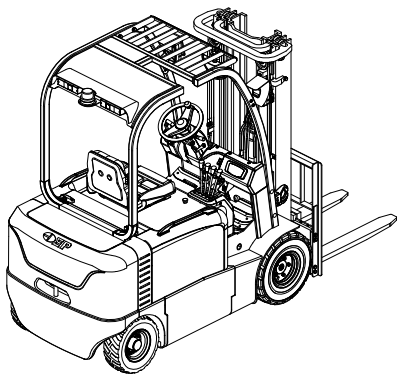
CPD15/18FT8 CPD15/18/20FVD8 CPD15FJ5 CPD15/18/20FVD5	
1.5t/1.8t/2.0t Four-wheel Electric Forklift Truck	

Type	Oils (model)		Quantity
Hydraulic Oil	Antiwear Hydraulic Oil	L-HM 46	See the table below
	Freezer Antiwear Hydraulic Oil (Cold Condition)	L-HV 32	
Gear Oil	Heavy Duty Gear Oil	80W-90 (GL-5)	3.8 ~ 4.0 L / 1.00~1.06 Gal
Lubricating Grease	General Lithium-based Grease 3#	Grease 3#	Appropriate
Brake Fluid	Vehicle Synthetic Brake Fluid	ZSM207 DOT 4	0.4 L / 0.11 Gal

Mast	Lifting Height (mm)	Quantity (L/Gal)
Duplex Wide Vision	2000	18 / 4.76
	2500	19 / 5.02
	2700	19 / 5.02
	3000	20 / 5.28
	3300	21 / 5.55
	3500	22 / 5.81
	3600	22 / 5.81
	4000	23 / 6.08
	4500	25 / 6.60

Mast	Lifting Height (mm)	Quantity (L/Gal)
Duplex Full Freelift	2500	23 / 6.08
	2700	24 / 6.34
	3000	24 / 6.34
	3300	25 / 6.60
	3600	26 / 6.87
	4000	27 / 7.13
Triplex Full Freelift	4300	25 / 6.60
	4500	26 / 6.87
	4800	27 / 7.13
	5000	27 / 7.13
	5500	28 / 7.40
	6000	30 / 7.93

***Note:** The quantity of hydraulic oil is calculated based on no oil in the system

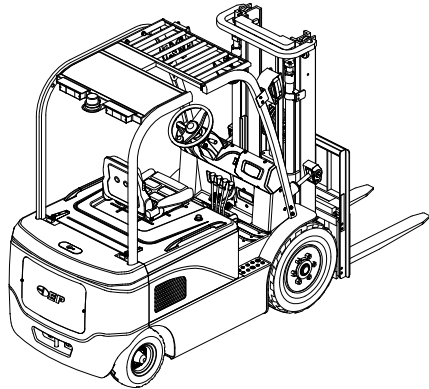
CPD20/25FT8 CPD25FVD8 CPD20FJ5	
2.0t/2.5t Four-wheel Electric Forklift Truck	

Type	Oils (model)		Quantity
Hydraulic Oil	Antiwear Hydraulic Oil	L-HM 46	See the table below
	Freezer Antiwear Hydraulic Oil (Cold Condition)	L-HV 32	
Gear Oil	Heavy Duty Gear Oil	80W-90 (GL-5)	3.8 ~ 4.0 L / 1.00~1.06 Gal
Lubricating Grease	General Lithium-based Grease 3#	Grease 3#	Appropriate
Brake Fluid	Vehicle Synthetic Brake Fluid	ZSM207 DOT 4	0.4 L / 0.11 Gal

Mast	Lifting Height (mm)	Quantity (L/Gal)
Duplex Wide Vision	2000	24 / 6.34
	2500	26 / 6.87
	2700	27 / 7.13
	3000	28 / 7.40
	3300	29 / 7.66
	3500	30 / 7.93
	3600	30 / 7.93
	4000	32 / 8.45
	4300	33 / 8.72
4500	34 / 8.98	

Mast	Lifting Height (mm)	Quantity (L/Gal)
Duplex Full Freelift	2500	28 / 7.40
	2700	29 / 7.66
	3000	29 / 7.66
	3300	30 / 7.93
	3600	32 / 8.45
	4000	34 / 8.98
Triplex Full Freelift	4300	32 / 8.45
	4500	33 / 8.72
	4800	33 / 8.72
	5000	34 / 8.98
	5500	35 / 9.25
	6000	37 / 9.77

***Note:** The quantity of hydraulic oil is calculated based on no oil in the system

<p>CPD30/35FT8 CPD30FVD8</p>	
<p>3.0t/3.5t Four-wheel Electric Forklift Truck</p>	

Type	Oils (model)		Quantity
Hydraulic Oil	Antiwear Hydraulic Oil	L-HM 46	See the table below
	Freezer Antiwear Hydraulic Oil (Cold Condition)	L-HV 32	
Gear Oil	Heavy Duty Gear Oil	80W-90 (GL-5)	8 L / 2.11 Gal
Lubricating Grease	General Lithium-based Grease 3#	Grease 3#	Appropriate
Brake Fluid	Vehicle Synthetic Brake Fluid	ZSM207 DOT 4	0.4 L / 0.11 Gal

Mast	Lifting Height (mm)	Quantity (L/Gal)
Duplex Wide vision	2000	24 / 6.34
	2500	26 / 6.87
	2700	27 / 7.13
	3000	28 / 7.40
	3300	29 / 7.66
	3500	30 / 7.93
	3600	30 / 7.93
	4000	32 / 8.45
	4300	33 / 8.72
4500	34 / 8.98	

Mast	Lifting Height (mm)	Quantity (L/Gal)
Duplex Full Frelift	2500	28 / 7.40
	2700	28 / 7.40
	3000	29 / 7.66
	3300	30 / 7.93
	3600	32 / 8.45
	4000	34 / 8.98
Triplex Full Frelift	4300	35 / 9.25
	4500	35 / 9.25
	4800	37 / 9.77
	5000	37 / 9.77
	5500	38 / 10.04
	6000	39 / 10.30

***Note:** The quantity of hydraulic oil is calculated based on no oil in the system

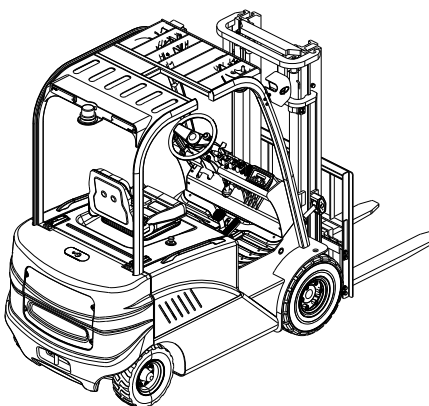
CPD15/18F8	
1.5t/1.8t Four-wheel Electric Forklift Truck	

Type	Oils (model)		Quantity
Hydraulic Oil	Antiwear Hydraulic Oil	L-HM 46	See the table below
	Freezer Antiwear Hydraulic Oil (Cold Condition)	L-HV 32	
Gear Oil	Heavy Duty Gear Oil	80W-90 (GL-5)	3.8 ~ 4.0 L / 1.00~1.06 Gal
Lubricating Grease	General Lithium-based Grease 3#	Grease 3#	Appropriate
Brake Fluid	Vehicle Synthetic Brake Fluid	ZSM207 DOT 4	0.4 L / 0.11 Gal

Mast	Lifting Height (mm)	Quantity (L/Gal)
Duplex Wide Vision	2000	18 / 4.76
	2500	19 / 5.02
	2700	19 / 5.02
	3000	20 / 5.28
	3300	21 / 5.55
	3500	22 / 5.81
	3600	22 / 5.81
	4000	23 / 6.08
	4500	25 / 6.60

Mast	Lifting Height (mm)	Quantity (L/Gal)
Duplex Full Freelift	2500	23 / 6.08
	2700	24 / 6.34
	3000	24 / 6.34
	3300	25 / 6.60
	3600	26 / 6.87
	4000	27 / 7.13
Triplex Full Freelift	4300	25 / 6.60
	4500	26 / 6.87
	4800	27 / 7.13
	5000	27 / 7.13
	5500	28 / 7.40
	6000	30 / 7.93

***Note:** The quantity of hydraulic oil is calculated based on no oil in the system

CPD20/25F8	
2.0t/2.5t Four-wheel Electric Forklift Truck	

Type	Oils (model)		Quantity
Hydraulic Oil	Antiwear Hydraulic Oil	L-HM 46	See the table below
	Freezer Antiwear Hydraulic Oil (Cold Condition)	L-HV 32	
Gear Oil	Heavy Duty Gear Oil	80W-90 (GL-5)	3.8 ~ 4.0 L / 1.00~1.06 Gal
Lubricating Grease	General Lithium-based Grease 3#	Grease 3#	Appropriate
Brake Fluid	Vehicle Synthetic Brake Fluid	ZSM207 DOT 4	0.4 L / 0.11 Gal

Mast	Lifting Height (mm)	Quantity (L/Gal)
Duplex Wide Vision	2000	24 / 6.34
	2500	26 / 6.87
	2700	27 / 7.13
	3000	28 / 7.40
	3300	29 / 7.66
	3500	30 / 7.93
	3600	30 / 7.93
	4000	32 / 8.45
	4500	34 / 8.98

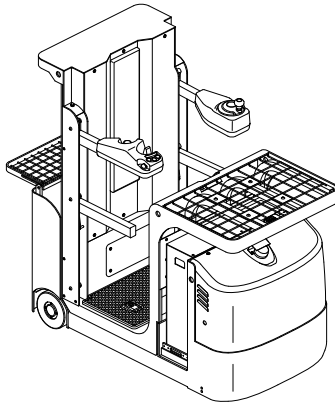
Mast	Lifting Height (mm)	Quantity (L/Gal)
Duplex Full Freelift	2500	28 / 7.40
	2700	29 / 7.66
	3000	29 / 7.66
	3300	30 / 7.93
	3600	32 / 8.45
	4000	34 / 8.98
Triplex Full Freelift	4300	32 / 8.45
	4500	33 / 8.72
	4800	33 / 8.72
	5000	34 / 8.98
	5500	35 / 9.25
	6000	37 / 9.77

***Note:** The quantity of hydraulic oil is calculated based on no oil in the system

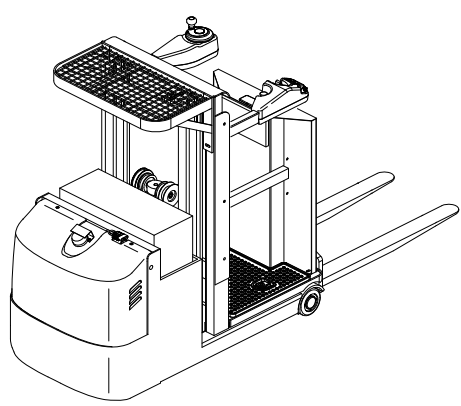
EP中力

5 Order Picker



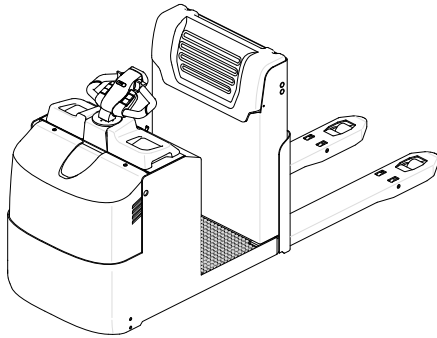
JX1			
Medium Level Order Picker			
Type	Oils (model)		Quantity
Hydraulic Oil	Antiwear Hydraulic Oil	L-HM 46	See the table below
	Freezer Antiwear Hydraulic Oil (Cold Condition)	L-HV 32	
Gear Oil	Heavy Duty Gear Oil	80W-90 (GL-5)	1.38 L / 0.37 Gal
Lubricating Grease	General Lithium-based Grease 3#	Grease 3#	Appropriate

Mast	Lifting Height (mm)	Quantity (L/Gal)
Duplex	2200	4.0 / 1.06
Triplex Full Freelift	3200	6.5 / 1.72
	3600	7.7 / 2.03
	4100	8.5 / 2.25
	4800	9.4 / 2.48

JX2-1 / JX2-3	
Medium Level Order Picker	

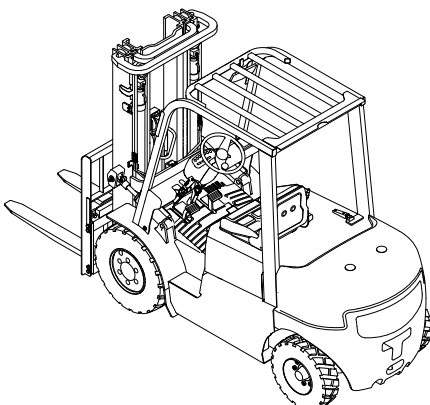
Type	Oils (model)		Quantity
Hydraulic Oil	Antiwear Hydraulic Oil	L-HM 46	See the table below
	Freezer Antiwear Hydraulic Oil (Cold Condition)	L-HV 32	
Gear Oil	Heavy Duty Gear Oil	80W-90 (GL-5)	1.38 L / 0.37 Gal
Lubricating Grease	General Lithium-based Grease 3#	Grease 3#	Appropriate

Mast	Lifting Height (mm)	Quantity (L/Gal)
Duplex	1800	4.0 / 1.06

EPT20-20RAP			
Low Level Order Picker			
Type	Oils (model)		Quantity
Hydraulic Oil	Antiwear Hydraulic Oil	L-HM 46	0.55 L / 0.15 Gal
	Freezer Antiwear Hydraulic Oil (Cold Condition)	L-HV 32	0.55 L / 0.15 Gal
Gear Oil	Heavy Duty Gear Oil	80W-90 (GL-5)	1.38 L / 0.37 Gal
Lubricating Grease	General Lithium-based Grease 3#	Grease 3#	Appropriate

6 Diesel/Gasoline Forklift
Truck

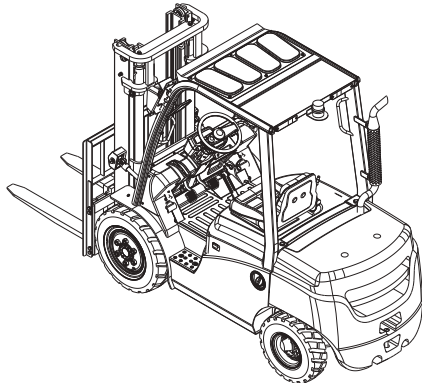
EP中力

<p>CPCD20/25/30/35T3</p>	
<p>3 Series 2.0t/2.5t/3.0t/3.5t Diesel/ Gasoline Forklift Truck</p>	

Type	Oils (model)		Quantity	
Hydraulic Oil	Antiwear Hydraulic Oil		See the table below	
	L-HM 46			
Hydraulic Oil	Freezer Antiwear Hydraulic Oil (Cold Condition)		See the table below	
	L-HV 32			
Gear Oil	Heavy Duty Gear Oil	80W-90 (GL-5)	8.0 L / 2.11 Gal	
Lubricating Grease	General Lithium-based Grease 3#	Grease 3#	Appropriate	
Brake Fluid	Vehicle Synthetic Brake Fluid	ZSM207 DOT 4	0.4 L / 0.11 Gal	
Engine Oil	Diesel	Engine Oil CF	SAE 15W-40	7.0 ~ 7.5 L / 1.85~1.98 Gal
		Engine Oil CF (Cold Cond.)	SAE 5W-30	3.8 L / 1.00 Gal
	Gasoline	Engine Oil SN	SAE 10W-30	7.0 ~ 7.5 L / 1.85~1.98 Gal
		Engine Oil SN (Cold Cond.)	SAE 5W-30	3.8 L / 1.00 Gal
Anti-freeze Fluid	Anti-freeze Fluid	-45°C	30 ~ 50%	
	Anti-freeze Fluid (Cold Cond.)		100%	

Mast	Lifting Height (mm)	Quantity (L/Gal)	Mast	Lifting Height (mm)	Quantity (L/Gal)	
Duplex Wide Vision	2000	30 / 7.93	Duplex Full Freelift	2500	36 / 9.51	
	2500	34 / 8.98		2700	36 / 9.51	
	2700	34 / 8.98		3000	38 / 10.04	
	3000	36 / 9.51		3300	38 / 10.04	
	3300	36 / 9.51		3600	40 / 10.57	
	3500	38 / 10.04		4000	42 / 11.10	
	3600	38 / 10.04		Triplex Full Freelift	4300	38 / 10.04
	4000	42 / 11.10			4500	40 / 10.57
	4300	42 / 11.10			4800	42 / 11.10
	4500	44 / 11.62			5000	44 / 11.62
		5500	46 / 12.15			
		6000	48 / 12.68			

***Note:** The quantity of hydraulic oil is calculated based on no oil in the system

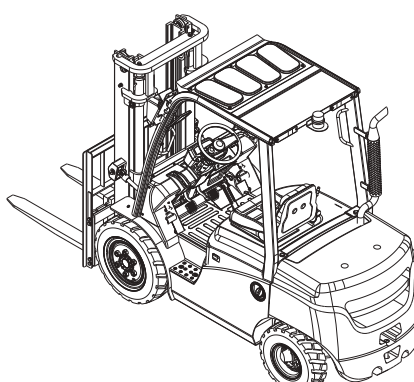
<p>CPC(Q)D15/18T8</p>	
<p>8 Series 1.5t/1.8t Diesel/Gasoline Forklift Truck</p>	

Type	Oils (model)		Quantity	
Hydraulic Oil	Antiwear Hydraulic Oil		See the table below	
	L-HM 46			
Hydraulic Oil	Freezer Antiwear Hydraulic Oil (Cold Condition)		See the table below	
	L-HV 32			
Gear Oil	Heavy Duty Gear Oil	80W-90 (GL-5)	4.0 L / 1.06 Gal	
Lubricating Grease	General Lithium-based Grease 3#	Grease 3#	Appropriate	
Brake Fluid	Vehicle Synthetic Brake Fluid	ZSM207 DOT 4	0.4 L / 0.11 Gal	
Transmission Oil	Hydraulic Transmission Oil	8#	9.0 L / 2.38 Gal	
Engine Oil	Diesel	Engine Oil CF	SAE 15W-40	7.0 ~ 7.5 L / 1.85~1.98 Gal
		Engine Oil CF (Cold Cond.)	SAE 5W-30	3.8 L / 1.00 Gal
	Gasoline	Engine Oil SN	SAE 10W-30	7.0 ~ 7.5 L / 1.85~1.98 Gal
		Engine Oil SN (Cold Cond.)	SAE 5W-30	3.8 L / 1.00 Gal
Anti-freeze Fluid	Anti-freeze Fluid		-45°C	30 ~ 50%
	Anti-freeze Fluid (Cold Cond.)			100%

Mast	Lifting Height (mm)	Quantity (L/Gal)
Duplex Wide Vision	2000	32 / 8.45
	2500	34 / 8.98
	2700	34 / 8.98
	3000	34 / 8.98
	3300	34 / 8.98
	3500	36 / 9.51
	3600	36 / 9.51
	4000	38 / 10.04
	4300	38 / 10.04
	4500	40 / 10.57

Mast	Lifting Height (mm)	Quantity (L/Gal)
Duplex Full Freelift	2500	27 / 7.13
	2700	27 / 7.13
	3000	27 / 7.13
	3300	28 / 7.40
	3600	28 / 7.40
	4000	29 / 7.66
	Triplex Full Freelift	4300
4500		38 / 10.04
4800		38 / 10.04
5000		40 / 10.57
5500		42 / 11.10
6000		44 / 11.62

***Note:** The quantity of hydraulic oil is calculated based on no oil in the system

<p>CPC(Q)D20/25/30/35T8</p>	
<p>8 Series 2.0t/2.5t/3.0t/3.5t Diesel/ Gasoline Forklift Truck</p>	

Type	Oils (model)		Quantity	
Hydraulic Oil	Antiwear Hydraulic Oil		See the table below	
	L-HM 46			
Hydraulic Oil	Freezer Antiwear Hydraulic Oil (Cold Condition)		See the table below	
	L-HV 32			
Gear Oil	Heavy Duty Gear Oil	80W-90 (GL-5)	4.0 L / 1.06 Gal	
Lubricating Grease	General Lithium-based Grease 3#	Grease 3#	Appropriate	
Brake Fluid	Vehicle Synthetic Brake Fluid	ZSM207 DOT 4	0.4 L / 0.11 Gal	
Transmission Oil	Hydraulic Transmission Oil	8#	9.0 L / 2.38 Gal	
Engine Oil	Diesel	Engine Oil CF	SAE 15W-40	7.0 ~ 7.5 L / 1.85~1.98 Gal
		Engine Oil CF (Cold Cond.)	SAE 5W-30	3.8 L / 1.00 Gal
	Gasoline	Engine Oil SN	SAE 10W-30	7.0 ~ 7.5 L / 1.85~1.98 Gal
		Engine Oil SN (Cold Cond.)	SAE 5W-30	3.8 L / 1.00 Gal
Anti-freeze Fluid	Anti-freeze Fluid	-45 °C	30 ~ 50%	
	Anti-freeze Fluid (Cold Cond.)		100%	

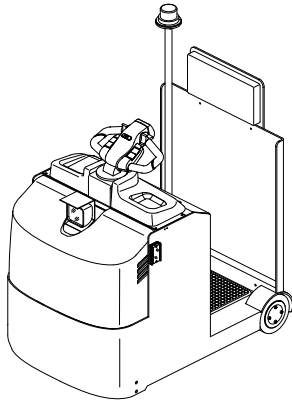
Mast	Lifting Height (mm)	Quantity (L/Gal)
Duplex Wide Vision	2000	30 / 7.93
	2500	34 / 8.98
	2700	34 / 8.98
	3000	36 / 9.51
	3300	36 / 9.51
	3500	38 / 10.04
	3600	38 / 10.04
	4000	42 / 11.10
	4300	42 / 11.10
4500	44 / 11.62	

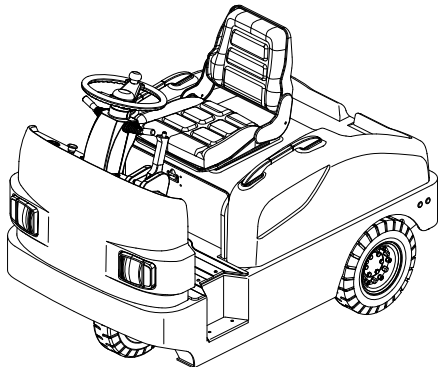
Mast	Lifting Height (mm)	Quantity (L/Gal)
Dulec Full Freelift	2500	36 / 9.51
	2700	36 / 9.51
	3000	38 / 10.04
	3300	38 / 10.04
	3600	40 / 10.57
	4000	42 / 11.10
Triplex Full Freelift	4300	38 / 10.04
	4500	40 / 10.57
	4800	42 / 11.10
	5000	44 / 11.62
	5500	46 / 12.15
	6000	48 / 12.68

***Note:** The quantity of hydraulic oil is calculated based on no oil in the system

7 Others

EP中力

QDD30 / QDD30S / QDD45 / QDD45S			
3.0t/4.5t Standing Electric Tractor			
Type	Oils (model)		Quantity
Gear Oil	Heavy Duty Gear Oil	80W-90 (GL-5)	1.38 L / 0.37 Gal
Lubricating Grease	General Lithium-based Grease 3#	Grease 3#	Appropriate

QDD30T / QDD30TS / QDD30T-C / QDD30TS-C QDD60T / QDD60TS / QDD60T-C / QDD60TS-C			
3.0t/6.0t Seat Electric Tractor			
Type	Oils (model)		Quantity
Gear Oil	Heavy Duty Gear Oil	Mobil ATF220	1.5 L / 0.40 Gal
Lubricating Grease	General Lithium-based Grease 3#	Grease 3#	Appropriate

印申力

印申力