



**Model B3/30 AC DS  
Electric Narrow Aisle Actuated Forklift  
Parts Manual**



**LANDOLL CORPORATION**

1900 North Street  
Marysville, Kansas 66508  
(785) 562-5381

**800-428-5655 ~ WWW.LANDOLL.COM**



# Table of Contents

---

## 1 Illustrated Parts List

<b>Instructions for Ordering Parts</b> .....	<b>1-1</b>
<b>Brakes</b> .....	<b>1-2</b>
Brake and Spindle Installation .....	1-2
Brake Assembly, Right .....	1-4
Brake Assembly, Left .....	1-5
Brake Pedal and Lines Installation .....	1-6
Brake Pedal Assembly .....	1-8
Brake Wheel Installation .....	1-10
Braking Wheel Assembly .....	1-12
Parking Brake Installation .....	1-14
<b>Covers and Counterweights</b> .....	<b>1-16</b>
Battery Compartment Door Installation .....	1-16
Counterweights and Frame Components .....	1-18
Covers Installation .....	1-20
Hose Routing Installation .....	1-24
Rigid Door Installation .....	1-27
<b>Decals</b> .....	<b>1-31</b>
Decal Placement .....	1-31
Decals .....	1-34
<b>Electrical</b> .....	<b>1-36</b>
Alarm and Lighting .....	1-36
Contactors Installation .....	1-39
Controller Installation .....	1-42
Drive Motor Assembly .....	1-44
Emergency Stop Button Installation .....	1-45
Pump Motor Assembly .....	1-46
Static Strap Installation .....	1-47
Steering Potentiometer and Horn Installation .....	1-48

<b>Hydraulics</b> .....	<b>1-50</b>
Breather Installation .....	1-50
Hydraulic Control Valve Installation .....	1-52
Hydraulic Components Installation .....	1-54
Hydraulic Control Valve Assembly .....	1-56
Hydraulic Motor, Pump, and Filter Installation .....	1-58
Hydraulic Tank Installation .....	1-60
In-Tank Filter Assembly .....	1-62
Steering Control Valve Assembly .....	1-63
Steering Hydraulics .....	1-64
Steering Orbital Assembly .....	1-66
Tilt Cylinder .....	1-68
<b>Mast and Front Rotation</b> .....	<b>1-69</b>
Forks .....	1-69
Front Plate Assembly .....	1-70
Front Plate Installation .....	1-72
Load Backrest .....	1-74
Mast Installation .....	1-76
Mast .....	1-78
Tilt Cylinder Installation .....	1-80
<b>Operator's Compartment</b> .....	<b>1-82</b>
Accelerator Assembly .....	1-82
Control Levers Installation .....	1-84
Overhead Guard Installation .....	1-86
Seat Assembly, Cloth .....	1-88
Seat Assembly, Vinyl .....	1-90
Seat Base Installation .....	1-92
Seat Installation .....	1-94
Steering Column and Dash Display Assembly .....	1-96
Steering Column Assembly .....	1-98
Steering Column and Orbital Installation .....	1-100
<b>Powertrain</b> .....	<b>1-102</b>
Drive Installation .....	1-102
Drive Wheel Assembly .....	1-104
Gearbox Assembly, 29:1 In-Line, Brevini .....	1-105
<b>Options</b> .....	<b>1-106</b>
Accessories .....	1-106
Battery Guides Installation .....	1-107
Battery Restraint Assembly .....	1-109
Battery Tray, Lift Out .....	1-110
Battery Tray Assembly, Roll Out .....	1-111
Battery Tray Assembly, Slide Out .....	1-113



---

<b>Service Tools</b> .....	<b>1-115</b>
Software Programs, Cables, Handsets, and Documents .....	1-115

**2 Numerical Index**

**3 Glossary**



# Illustrated Parts List

## Instructions for Ordering Parts

**\*\* Repair parts must be ordered through an Authorized Dealer \*\***

### DEALER INSTRUCTIONS FOR ORDERING PARTS FROM LANDOLL PARTS DISTRIBUTION CENTER

PHONE #: 800-423-4320 OR 785-562-5381

FAX #: 888-527-3909

ORDER ONLINE: [companystore.landoll.com](http://companystore.landoll.com)

### IDENTIFICATION PLATE

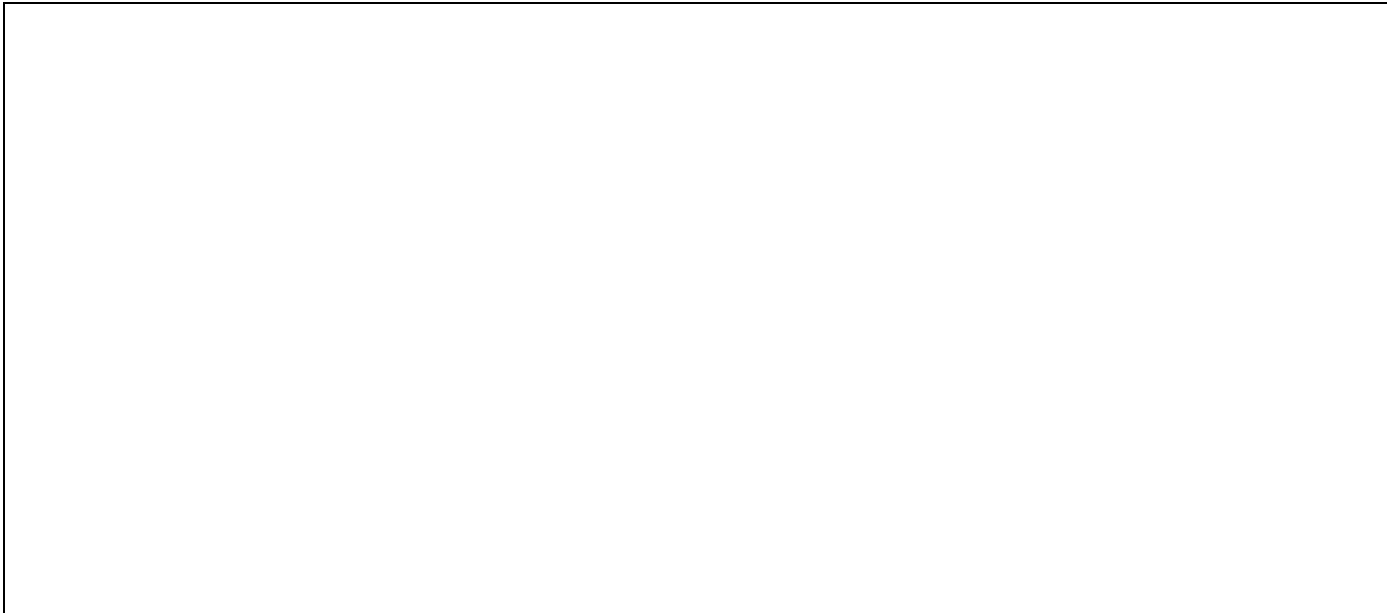
See Figure 1-1 for the identification plate, which lists the rated capacity, serial number, and other vehicle characteristics. It is located on the frame under the operator seat.

### SERIAL NUMBER NOMENCLATURE

The serial number for the Bendi forklift and mast is located on the identification plate. The following information will help decode the Bendi serial number:

**B3/aattDS-yymms-xxxxx**

<b>aa</b>	= rated capacity of truck (ex. "30" means 3000lbs.)
<b>tt</b>	= type (i.e. "AC")
<b>yy</b>	= last 2 digits of the year manufactured (ex. "09" means 2009, "10" means 2010)
<b>mm</b>	= month of manufacture
<b>s</b>	= component series (ex. "A")
<b>xxxxx</b>	= frame number



**Figure 1-1: Identification Plate**

# Brakes

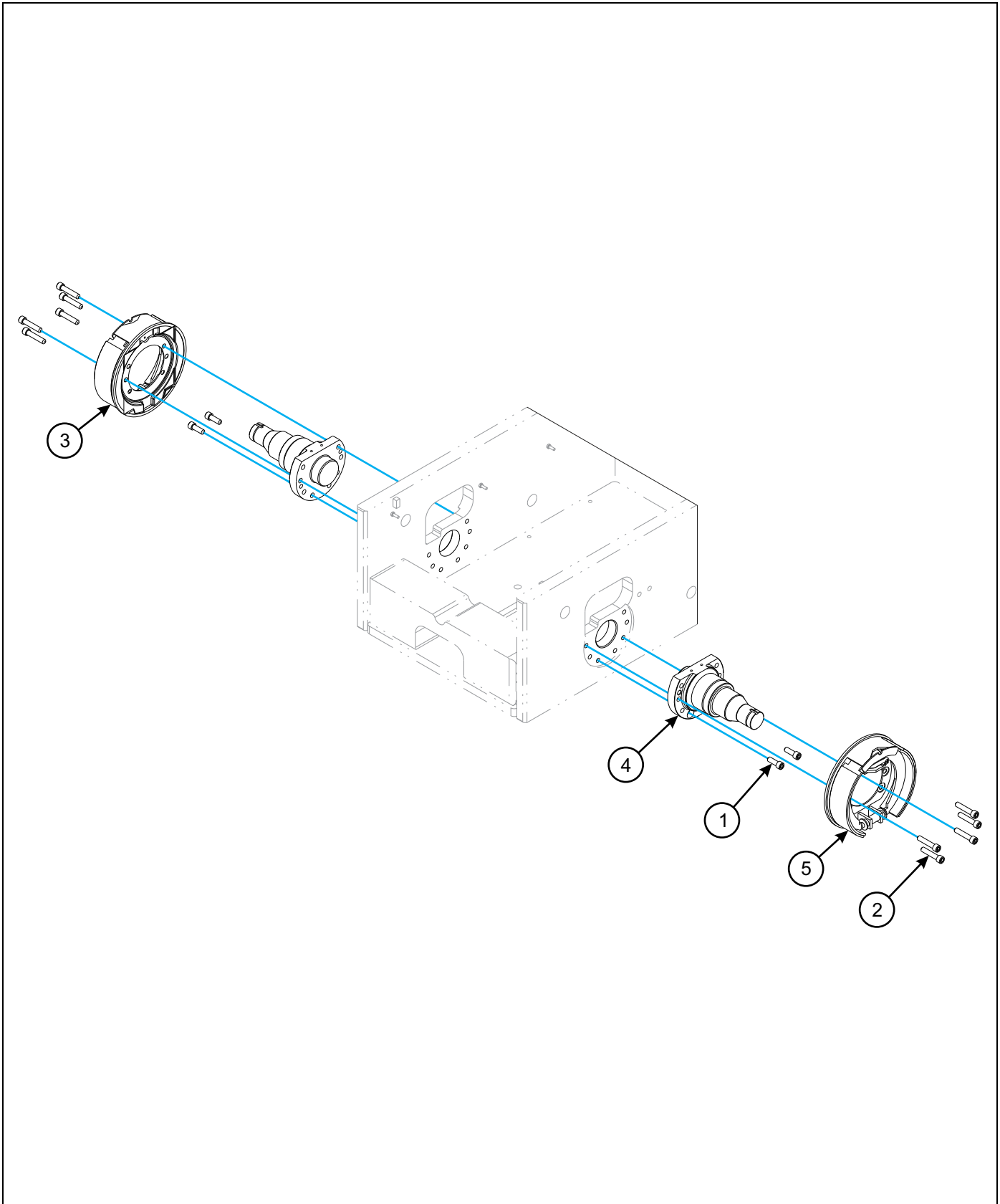


Figure 1-2: Brake and Spindle Installation

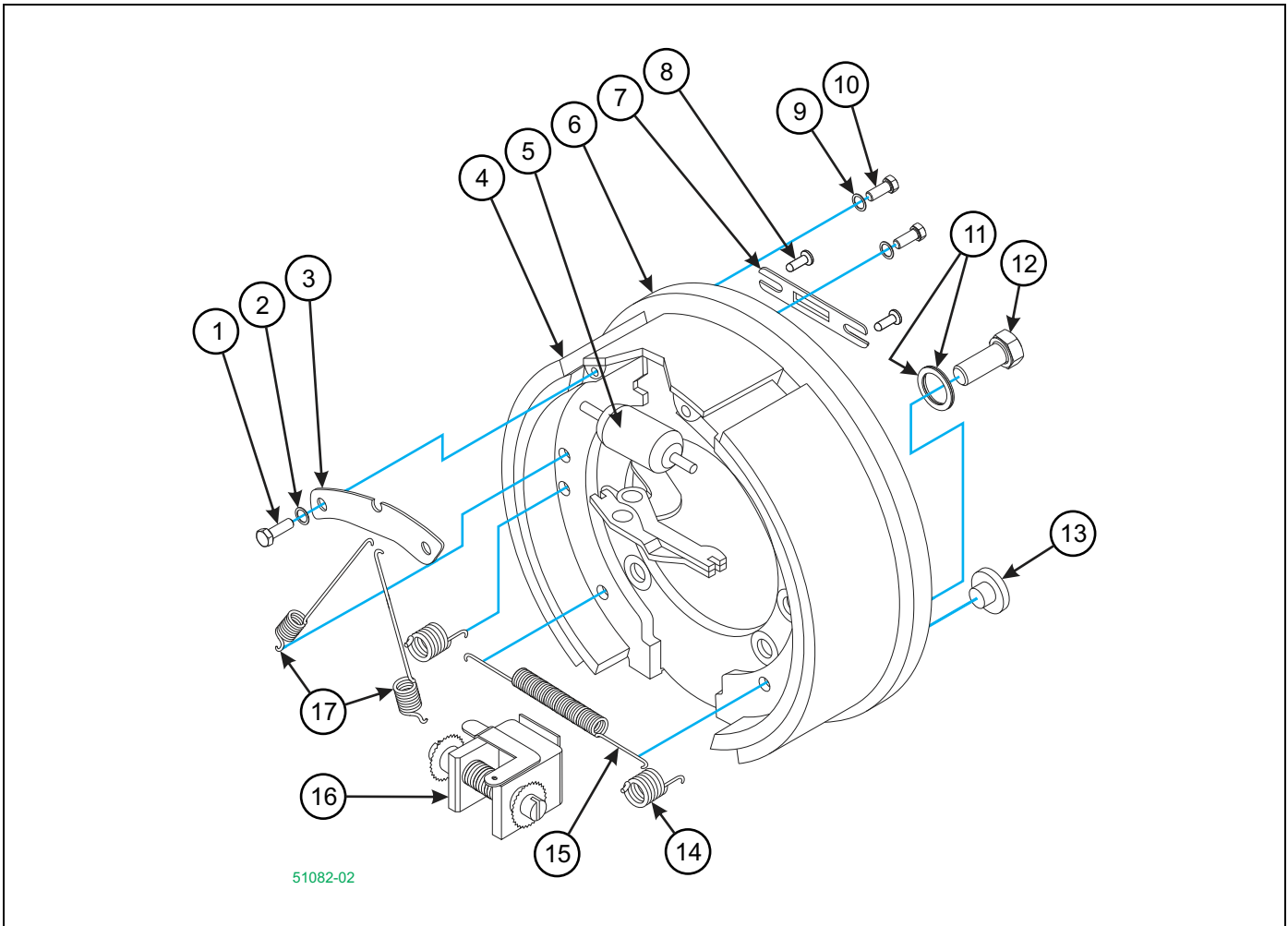
---

## Brake and Spindle Installation

---

ITEM	PART NUMBER	DESCRIPTION	QTY.
1	1-654-010104315	SCREW,HX SKT,1/2-13UNCX1-1/2	4
2	118577	SCREW HX SKT HD1/2-13X2-1/2ZP	10
3	18062	BRAKE ASSY, 10.5X2.5 (LEFT BRAKE) (SEE PAGE 1-5)	1
4	37082	SPINDLE	2
5	51082-02	LH BRAKE ASSY, 10.5X2.5 (RIGHT BRAKE) (SEE PAGE 1-4)	1

---



**Figure 1-3: Brake Assembly, Right**

## Brake Assembly, Right

ITEM	PART NUMBER	DESCRIPTION	QTY.
	51082-02	LH BRAKE ASSY, 10.5X2.5	
1	1CM816ER	SCREW HX HD M8X16MM ZP CL8.8	2
2	18EM816ER	WASHER, FL M8 PLATED	2
3	26278	CLAMP, HOLD DOWN	1
4	1422701	BRAKE SHOE ASSY W/899250 LIN	2
5	28218	WHEEL CYLINDER	1
6	52661	PLATE BACKING ASSY	1
7	53026	PLATE	1
8	53027	HSS JOBBER 118DEG 13/32 BIT	1
9	6EM60ER	WASHER LOCK SPRING M6 ZP	2
10	28967-5	BOLT	2
11	26270	WASHER, CAM LOCKING, M12	2
12	1CM1225ER	SCREW M12-1.75X25 HCS 8.8 ZP	1
13	26261	PLUG, RUBBER,	1
14	26277	HOLD DOWN SPRING	2
15	26276	SPRING, RETURN	2
16	26269	BRAKE ADJUSTER	1
17	26275	SPRING, RETURN	2

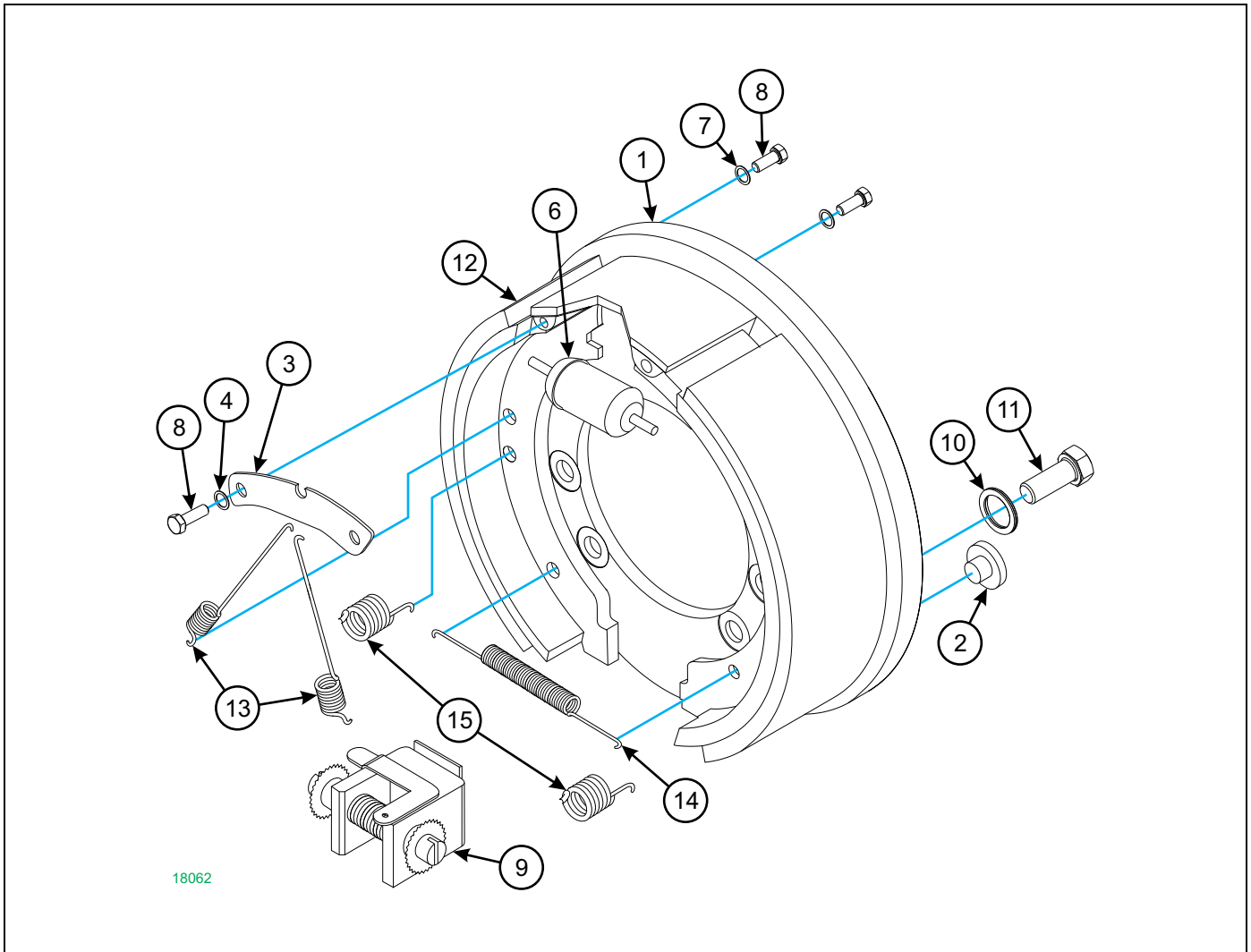


Figure 1-4: Brake Assembly, Left

## Brake Assembly, Left

ITEM	PART NUMBER	DESCRIPTION	QTY.
	18062	BRAKE ASSY, 10.5X2.5	
1	52661	PLATE BACKING ASSY	1
2	26261	PLUG, RUBBER,	2
3	26278	CLAMP, HOLD DOWN	1
4	18EM816ER	WASHER, FL M8 PLATED	2
5	1CM816ER	SCREW HX HD M8X16MM ZP CL8.8	2
6	28218	WHEEL CYLINDER	1
7	6EM60ER	WASHER LOCK SPRING M6 ZP	4
8	28967-5	BOLT	2
9	26269	BRAKE ADJUSTER	1
10	26270	WASHER, CAM LOCKING, M12	2
11	1CM1225ER	SCREW M12-1.75X25 HCS 8.8 ZP	1
12	1422701	BRAKE SHOE ASSY W/899250 LIN	2
13	26275	SPRING, RETURN	2
14	26276	SPRING, RETURN	1
15	26277	HOLD DOWN SPRING	2

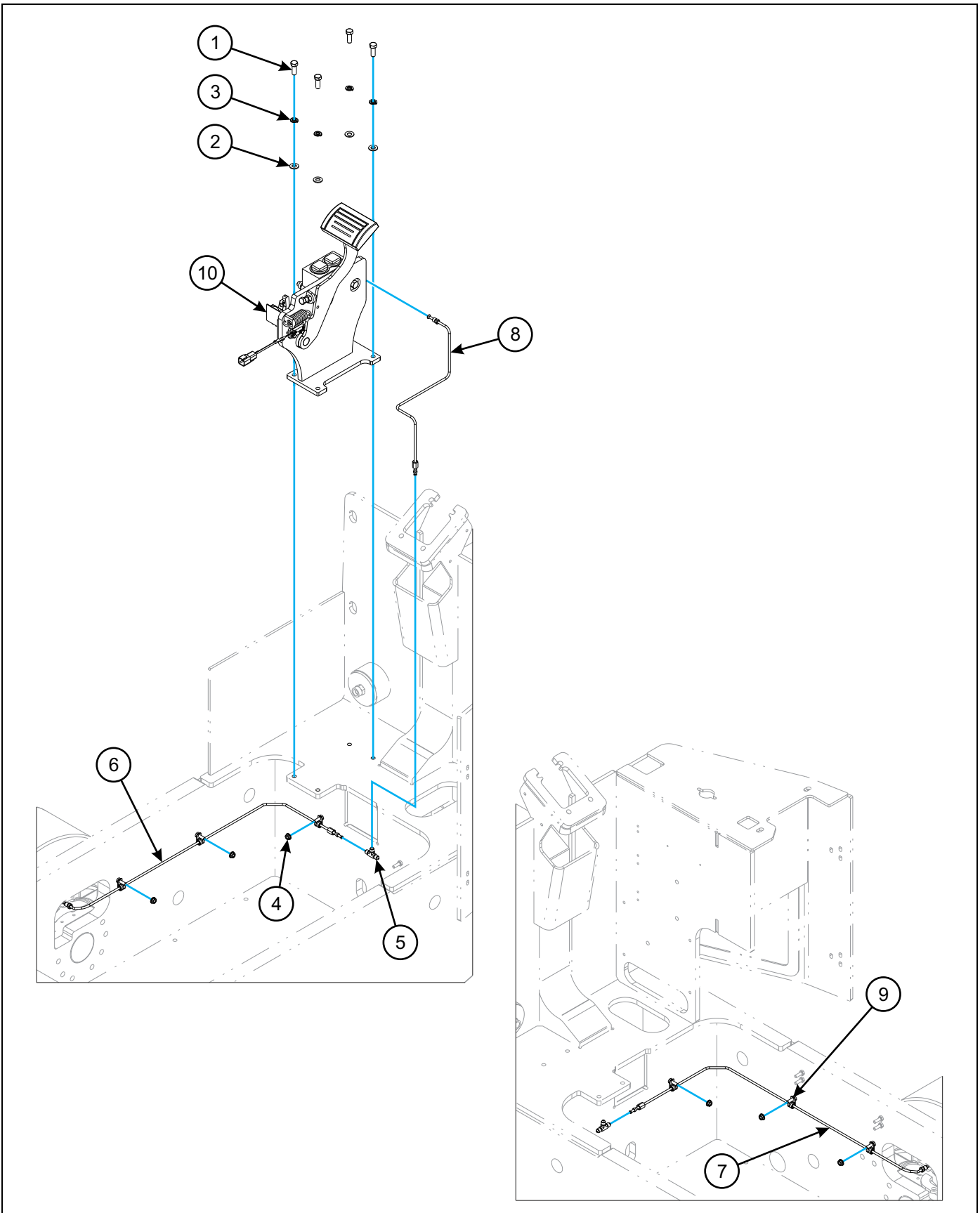


Figure 1-5: Brake Pedal and Lines Installation

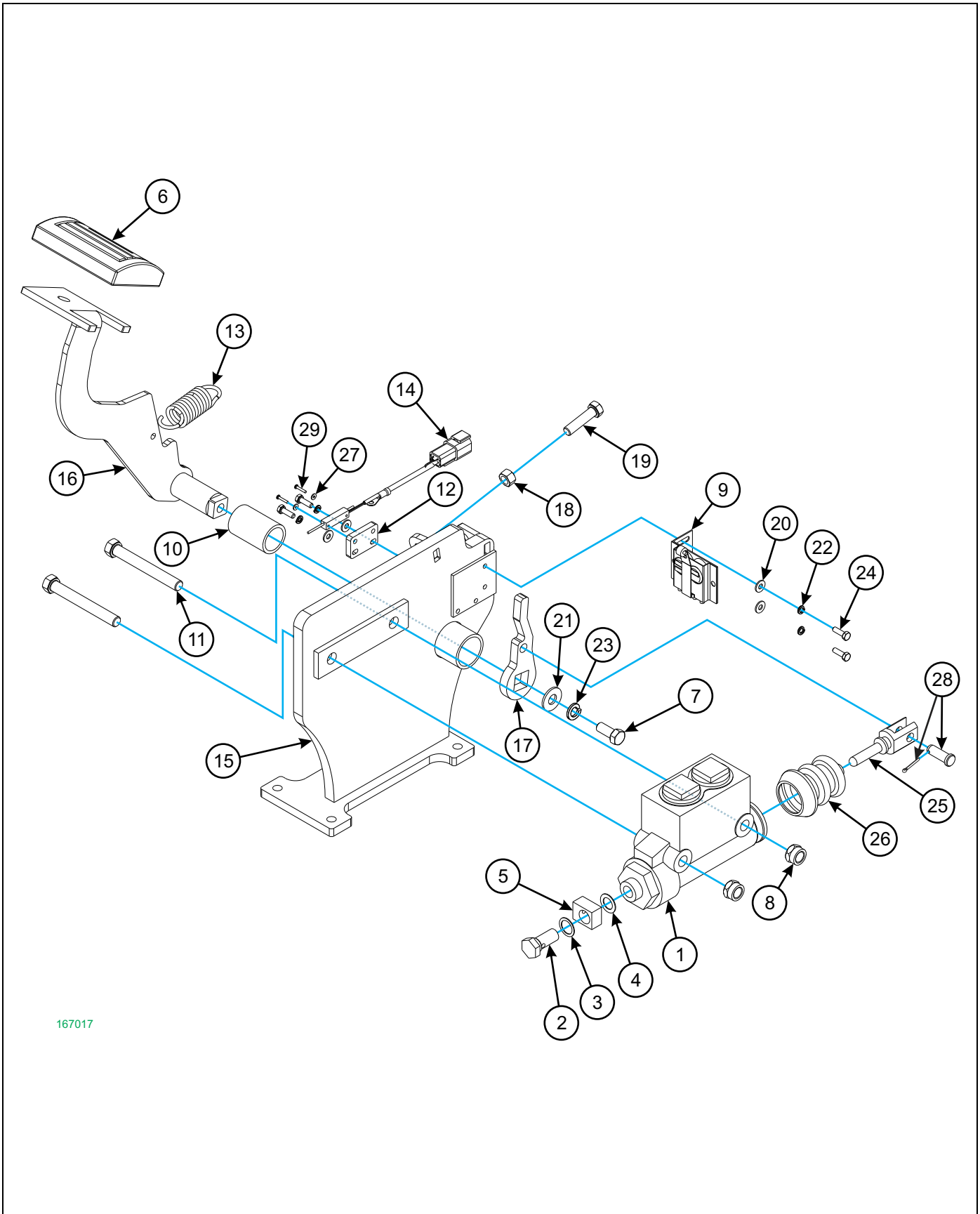


---

## Brake Pedal and Lines Installation

---

ITEM	PART NUMBER	DESCRIPTION	QTY.
1	1-654-010051-05	SCREW,HEX CAP 3/8-16UNCX1 GR5	4
2	1-861-010032-10	WASHER, FLAT 3/8" N ZP/CD	4
3	1-861-010034-11	WASHER, LKG HLCL SPR, 3/8	4
4	108417	NUT SPIRAL 1/4-20HX FG	6
5	10K2	FITTING, TEE SAE37	1
6	129609	BRAKE LINE ASSY, B3-4 LH	1
7	129610	BRAKE LINE ASSY, B3-4 RH	1
8	145728	BRAKE LINE ASSY, B3-4 CTR	1
9	162290	CLAMP, CABLE 1/4 SST	6
10	167017	PEDAL ASSY, B3-3 BRAKE (SEE PAGE 1-8)	1



167017

Figure 1-6: Brake Pedal Assembly

## Brake Pedal Assembly

ITEM	PART NUMBER	DESCRIPTION	QTY.
	167017	PEDAL ASSY, B3-3 BRAKE	
1	0012200	BRAKE, MASTER CYLINDER, BENDI48	1
2	0012212	FITTING BRAKE MICO	1
3	0012214	WASHER COPPER MICO BRAKE LG	1
4	0012215	WASHER COPPER MICO BRAKE SM	1
5	25028	FITTING, SWIVEL BRASS 3/8-24	1
6	0050002	PAD, BRAKE PEDAL	1
7	100131	SCREW HHC, 3/8-16UNCX7/8 GR5	1
8	101988	NUT, HEXSLF-LKG 7/16-14 GRB	2
9	113089	SWITCH ASSY, BRK LGT/ACLTR C/O	1
10	117437	BUSHING, BT BRAKE PEDAL PIVOT	1
11	141808	SCREW HX CP7/16-14UNCX3-1/2G5	2
12	153231	PLATE, BT/AC BRAKE POT MNT	1
13	153232	SPRING, BT/AC BRAKE RETURN	1
14	155689	ASSY, AC LIFTTRUCK BRAKE POT	1
15	167016	WLDMT, B3-3 BRAKE PEDAL BASE	1
16	167018	WLDMT, B3-3 BRAKE PEDAL	1
17	167022	PLATE, B3-3 MASTER CYL CRANK	1
18	1-512-010007-07	NUT, HEX 3/8-16 ZP	1
19	1-654-010051-07	SCREW, HEX CAP, 3/8-16UNCX1-1/2	1
20	1-861-010032-03	WASHER, FLAT #10 ZP/CD	5
21	1-861-010032-11	WASHER, FLAT 3/8 W ZP/CD	1
22	1-861-010034-07	WASHER, LKG, HLCL SPR, NO 10	4
23	1-861-010034-11	WASHER, LKG HLCL SPR, 3/8	1
24	107-1001	SCREW, HEX HD #10-24 X .62 LG	4
25	22-0627	PUSH ROD	1
26	22-0628	BOOT, PUSH ROD	1
27	25E2E	WASHER, FLAT #2	2
28	3-557-010253	PIN ASSY, YOKE3/8	1
29	85G208E	SCREW PAN HD SLT 2-56X1/2	2

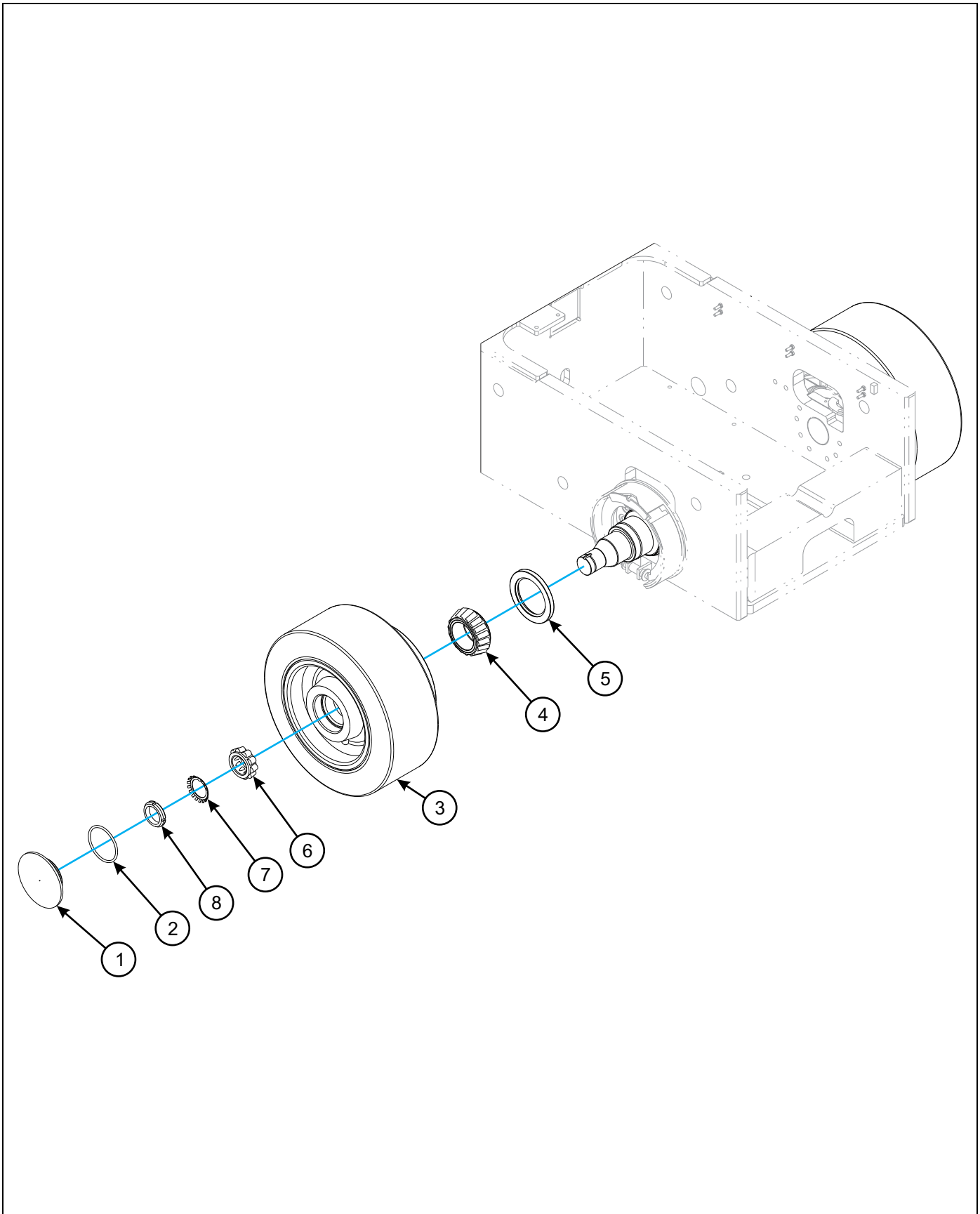


Figure 1-7: Brake Wheel Installation

---

## Brake Wheel Installation

ITEM	PART NUMBER	DESCRIPTION	QTY.
1	0019039	HUB CAP, LOAD WHEEL	2
2	0022016	O-RING,LOAD WHEEL,BENDI 48	2
3	143521	WHEEL,REAR 7" SM KRT B3-2 (SEE PAGE 1-12)	2
4	23926	CONE, ROLLER BEARING	2
5	28028	SEAL	2
6	50421	CONE, BEARING, OUTER	2
7	50422	LOCKWASHER EXT TOOTH	2
8	50423	LOCKNUT	2

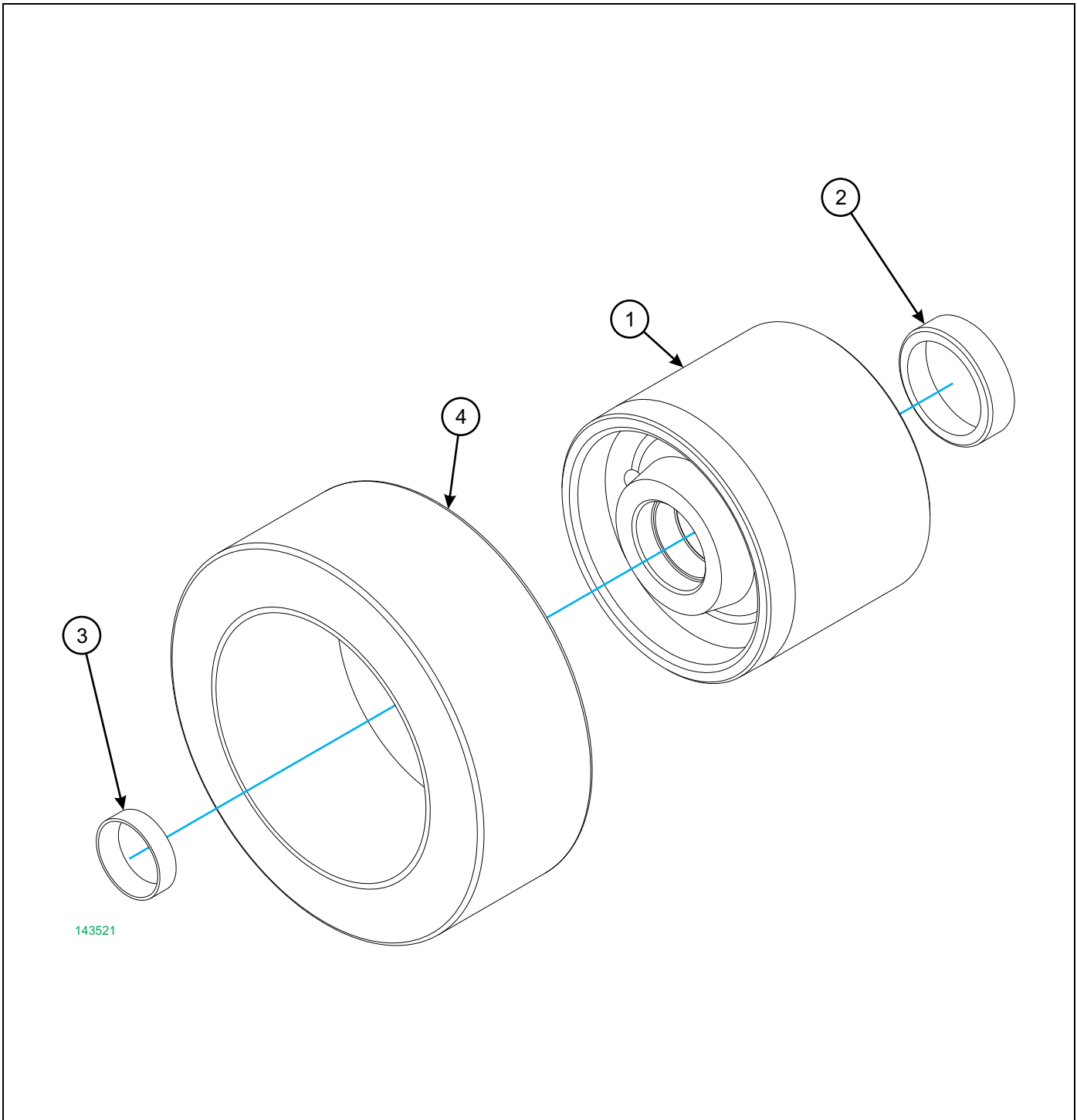


Figure 1-8: Braking Wheel Assembly

## Braking Wheel Assembly

ITEM	PART NUMBER	DESCRIPTION	QTY.
	143521	WHEEL, REAR 7" SM KRT B3-2	
1	149321	WHEEL, CAST 12X9 SPINDLE MNT	1
2	23927	CUP, ROLLER BEARING	1
3	50420	CUP, BEARING, OUTER	1
4	106487	TIRE, PRESS-ON, SMOOTH, KRT, 18X7	1



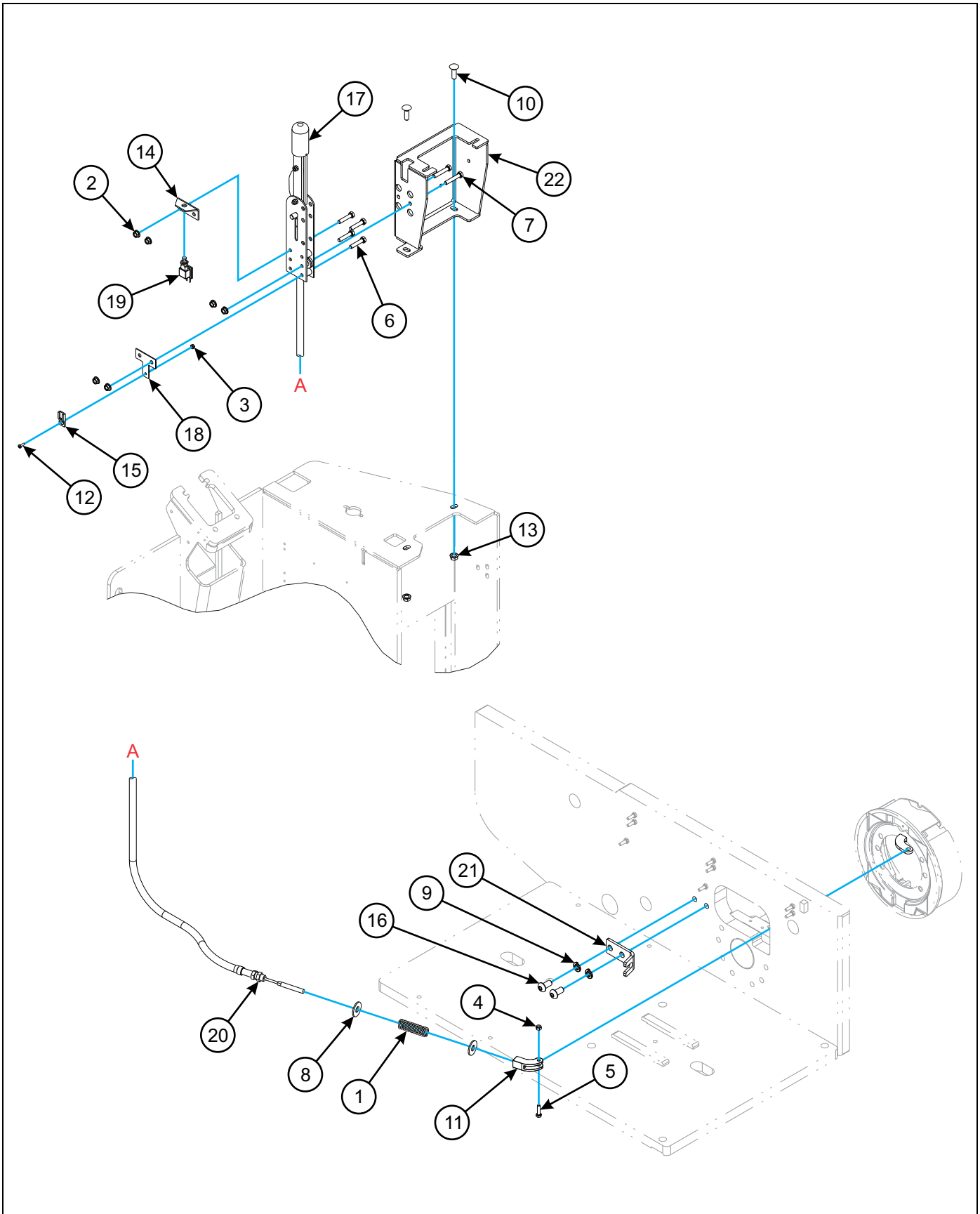


Figure 1-9: Parking Brake Installation



## Parking Brake Installation

ITEM	PART NUMBER	DESCRIPTION	QTY.
1	0013512	BRAKE, SPRING PARK	1
2	1-510-010004-03	NUT HX FLANGE, 5/16-18 GR8	6
3	1-512-010003-03	NUT,HX 8-32,SLF-LKG W/NYL	1
4	1-512-010003-09	NUT,1/4-20 ESNA	1
5	1-654-010047-06	SCREW,HX CP 1/4-20UNCX1 GR5	1
6	1-654-010049-07	SCREW,HX CP 5/16-18UNCX1-1/2	4
7	1-654-010049-08	SCREW,HX CP,5/16-18UNCX1-3/4	2
8	1-861-010032-15	WASHER, FLAT 1/2 W ZP/CD	2
9	1-861-010034-13	WASHER, LKG HLCL SPR, 1/2	2
10	101864	SCREW,RD HD 3/8-16X1-1/4 GR5	2
11	104399	YOKE,EMERGENCY BRAKE END	1
12	107-0762	SCR SLOT PAN HD #8-32X1/2	1
13	107470	NUT,SPIRALOCK 3/8-16HX	2
14	109548	BRCKT,SERV BRAKE SWITCH MOUNT	1
15	111271	HANGER,DEUTSCH CONNECTOR	1
16	111341	SCREW, BHSC 1/2-13UNCX1	2
17	112866	LEVER ASSY,SERV BRAKE W/LOCK	1
18	113510	BRKT,BRAKE SWITCH CONN MOUNT	1
19	113535	SWITCH,E-BRAKE CUTOUT	1
20	145901	CABLE,B3 PARKING BRAKE	1
21	146162	BRACKET,PARK BRK CBL,B3	1
22	167072	BRACKET WLDMT,BT/AC HYD LEVER	1

# Covers and Counterweights

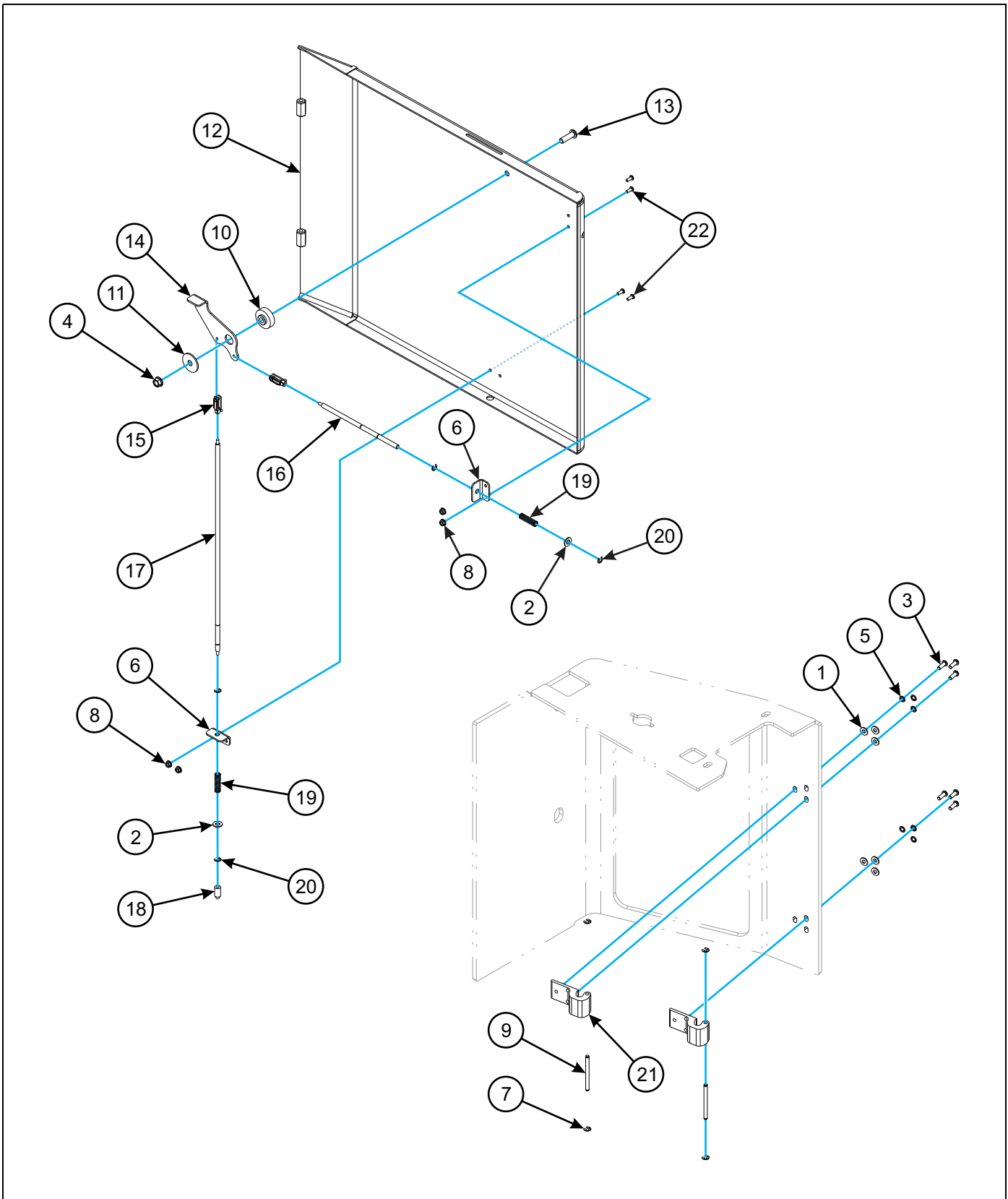


Figure 1-10: Battery Compartment Door Installation

## Battery Compartment Door Installation

ITEM	PART NUMBER	DESCRIPTION	QTY.
1	1-861-010032-06	WASHER, FLAT 1/4 N ZP/CD	6
2	1-861-010032-08	WASHER,FLAT 5/16 ZP	2
3	106955	SCREW,BHSC 1/4-20UNCX3/4	6
4	107470	NUT,SPIRALOCK 3/8-16HX	1
5	108797	WASHER 1/4 LKG INT TOOTH	6
6	111340	BRACKET,SER4 DOOR LATCH GUIDE	2
7	115668	RING,RETAINING,EXT,E,1/4	4
8	115673	NUT,HEX FLANGE 10-32 SPIRAL	4
9	119741	PIN, SER 4 DOOR HINGE	2
10	128306	SPACER,SER 4 DOOR LATCH MNT	1
11	128757	WASHER,SER4 DOOR LATCH RTNR	1
12	128861	DOOR WLDMT,B30-4 RH BATT COMP	1
13	130405	SCREW,BHSC 3/8-16UNCX1-1/4	1
14	130406	HANDLE,SER4 DOOR LATCH	1
15	130412	CLEVIS,10-32 MACH STEEL	2
16	130413	PIN,SER4 UPPER DOOR LATCH	1
17	130414	PIN,SER4 LOWER DOOR LATCH	1
18	130415	PIN,SER4 LOWER DOOR LOCATOR	1
19	130604	SPRING,SER4 DOOR LATCH	2
20	131080	RING,RETAINING,EXT,E,5/16	4
21	169112	HINGE B3-4 RH DOOR	2
22	169763	SCREW B4SC 10-32X.500 ZP	4

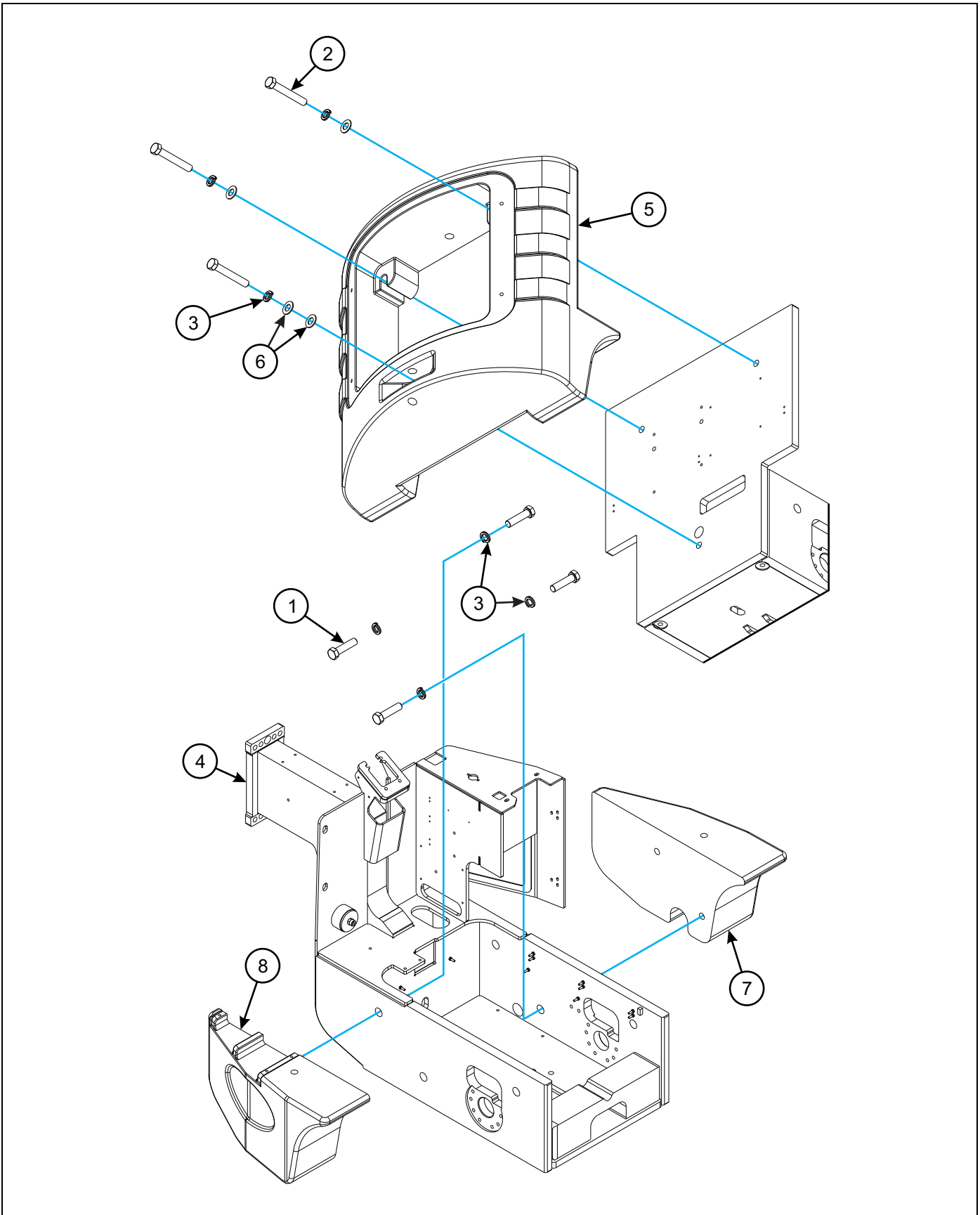


Figure 1-11: Counterweights and Frame Components

---

## Counterweights and Frame Components

---

ITEM	PART NUMBER	DESCRIPTION	QTY.
1	1-654-010125-13	SCREW,HX CP 1-8UNCX4, GR8	4
2	1-654-010125-18	SCREW HEX CAP,1-8UNCX6-1/2GR8	3
3	1-861-010034-21	WASHER, LKG HEL SPRG 1IN	7
4	107940	FRAME WLDMT, B3-4/45	1
5	109042	COUNTERWEIGHT RR B-30-B	1
6	110-7389	1 IN SAE FLAT WASHER ZP	4
7	143491	COUNTERWEIGHT B3 RH	1
8	143492	COUNTERWEIGHT B3 LH	1

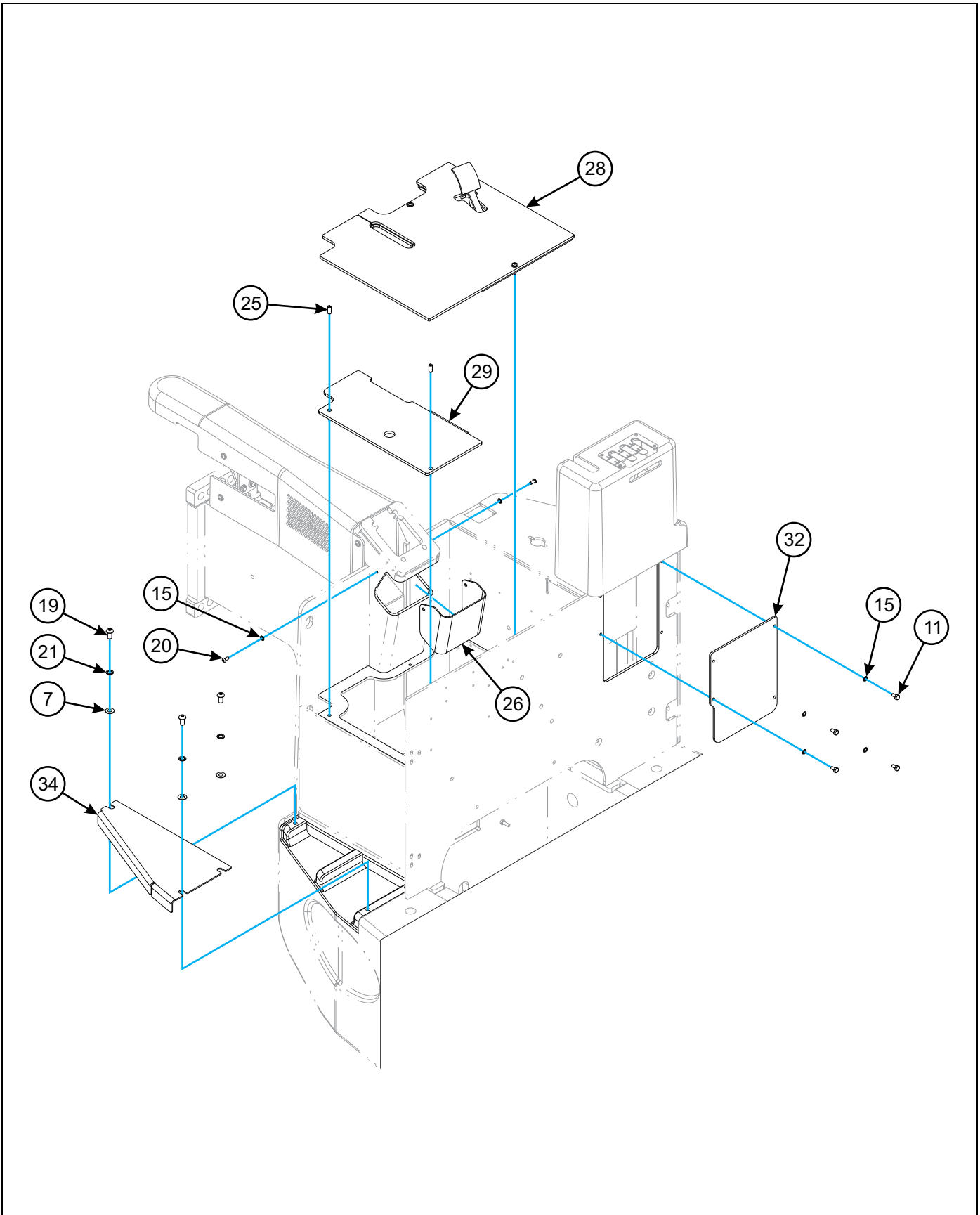


Figure 1-12: Covers Installation (1 of 3)

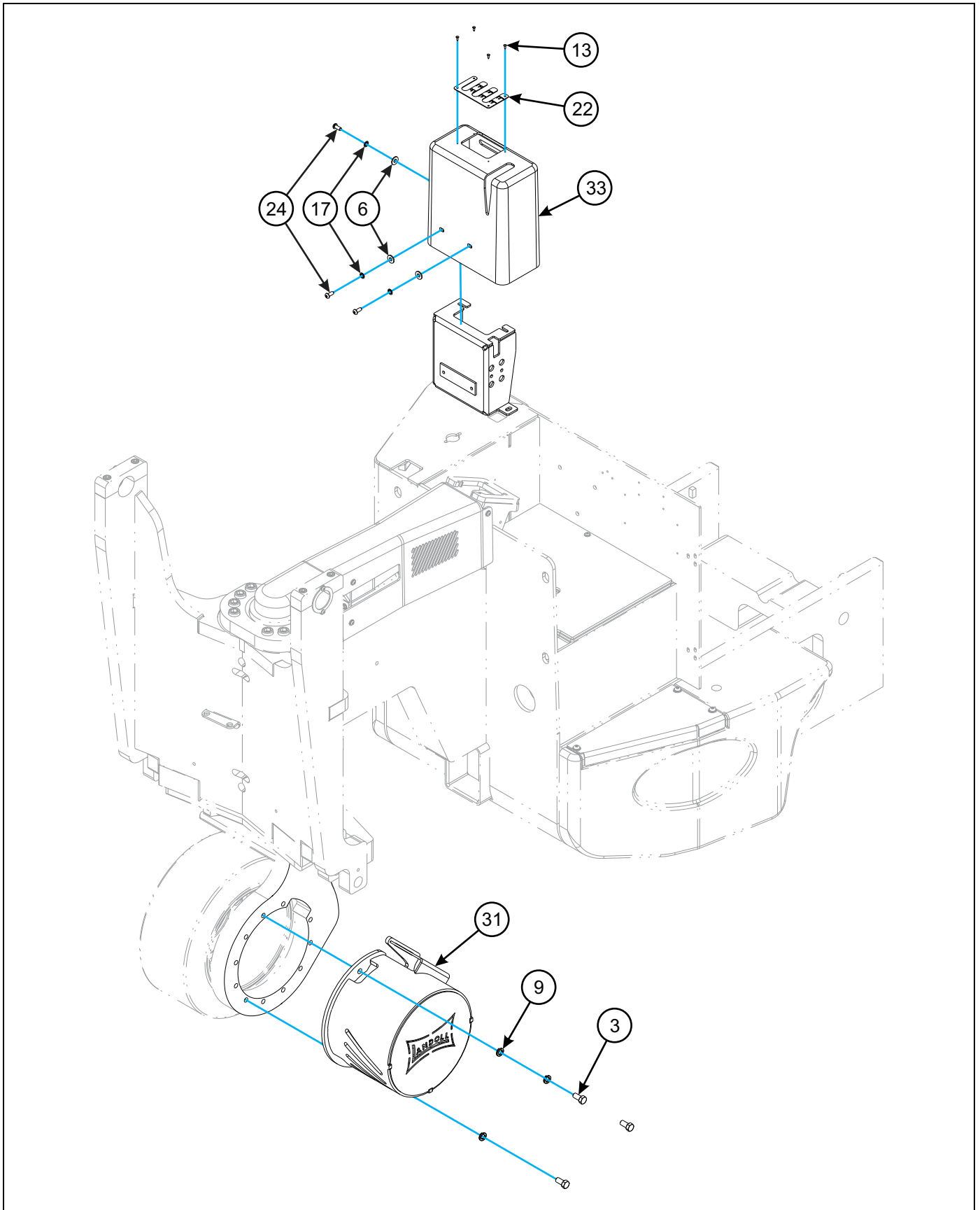


Figure 1-13: Covers Installation (2 of 3)

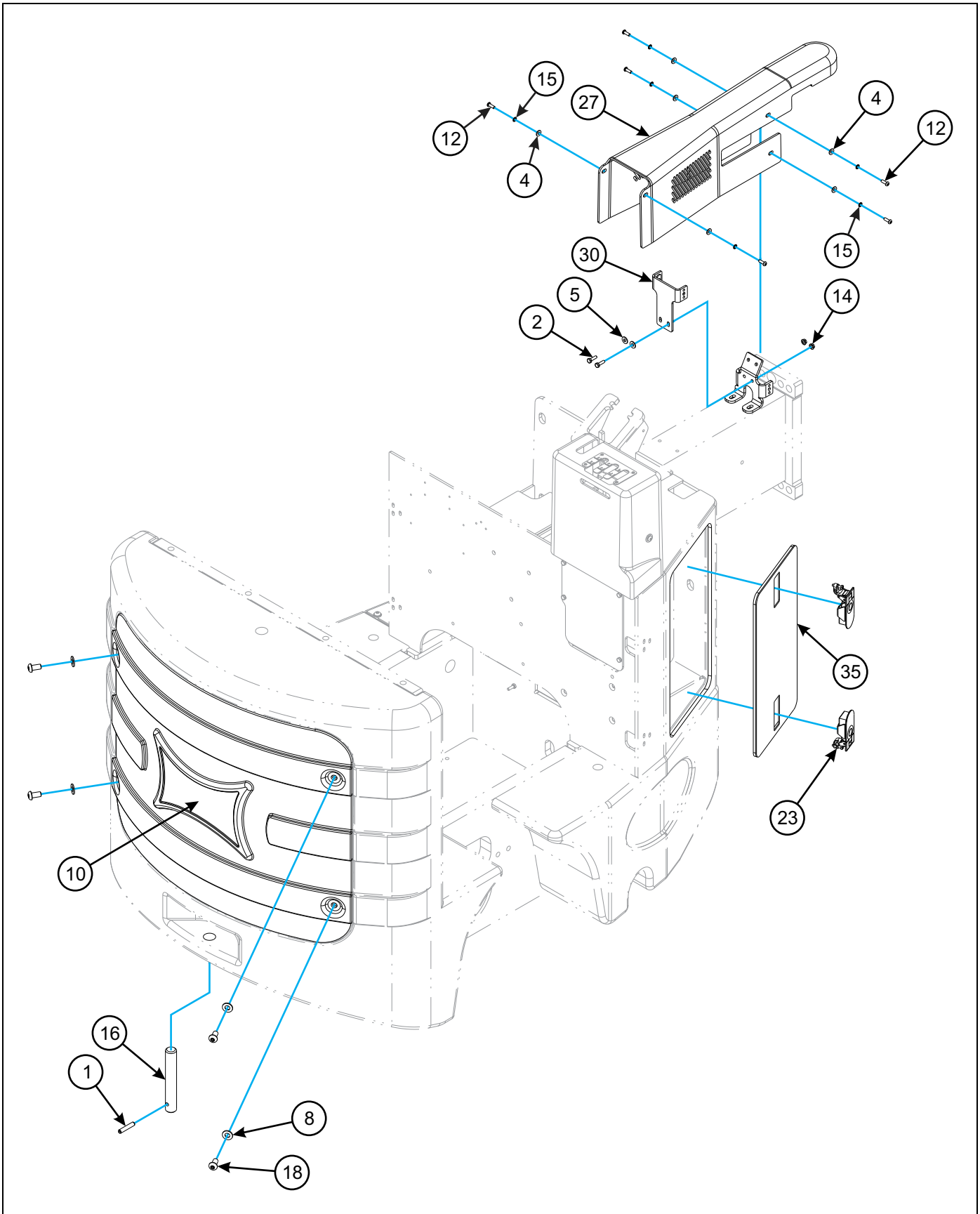


Figure 1-14: Covers Installation (3 of 3)



## Covers Installation

ITEM	PART NUMBER	DESCRIPTION	QTY.
1	1-647-010004255	PIN, SPRING, SLOTTED 3/8X2	1
2	1-654-010047-05	SCREW, HEX CAP 1/4-20UNC GR5	2
3	162248	SCREW HX CP 1/2-20UNF X 1 GR5	3
4	1-861-010032-06	WASHER, FLAT 1/4 N ZP/CD	6
5	1-861-010032-07	WASHER,FLAT 1/4 ZP	2
6	1-861-010032-09	WASHER, FLAT 5/16 W ZP/CD	3
7	1-861-010032-10	WASHER, FLAT 3/8" N ZP/CD	3
8	1-861-010032-14	WASHER, FLAT 1/2" N ZP/CD	4
9	1-861-010034-13	WASHER, LKG HLCL SPR, 1/2	3
10	104077	COVER, BT ELECT ENCLOSURE	1
11	104877	SCREW,HX CP,1/4-20UNCX1/2 GR5	4
12	106955	SCREW,BHSC 1/4-20UNCX3/4	6
13	107539	SCREW PNHD 6-32X1/2 SSHK	4
14	108417	NUT SPIRAL 1/4-20HX FG	2
15	108797	WASHER 1/4 LKG INT TOOTH	12
16	110427	PIN,HITCH 1-1/8IN	1
17	110843	SCREW BHSC 5/16-18UNCX3/4	3
18	111341	SCREW, BHSC 1/2-13UNCX1	4
19	111899	SCREW,BHSC 3/8-16UNCX3/4	3
20	115958	SCREW, BHSC 1/4-20UNCX1/2	2
21	119734	WASHER, 3/8 LKG INTERNALTOOTH	3
22	121422	PLACARD, OPERATOR DATA	1
23	121526	LATCH, COMPRESSION	2
24	127627	WASHER 5/16 LKG INT TOOTH	3
25	130345	PIN,SPRING,SLOTTED 5/16X3/4	2
26	136969	COVER,B40DM-4 COLUMN PIPING	1
27	145726	COVER, B3-4 STEERING ROTATION	1
28	145754	ACLTR ASSY, B3-4 <b>(SEE PAGE 1-82)</b>	1
29	145755	PLATE WLDMT, B3-4 LH FLOOR	1
30	145859	BRACKET WLDMT, B3-4 UPR ROTCVR	1
31	145863	SHROUD WLDMT, B3-4 DRIVE MOTOR	1
32	153466	PLATE,BT/AC HYD LINKAGE CVR	1
33	155677	COVER,CTRL LEVERS B30AC	1
34	161412	PLATE, STEP CVR B3	1
35	170637	COVER WLDMT, B3-4 CNTOR COMPT	1

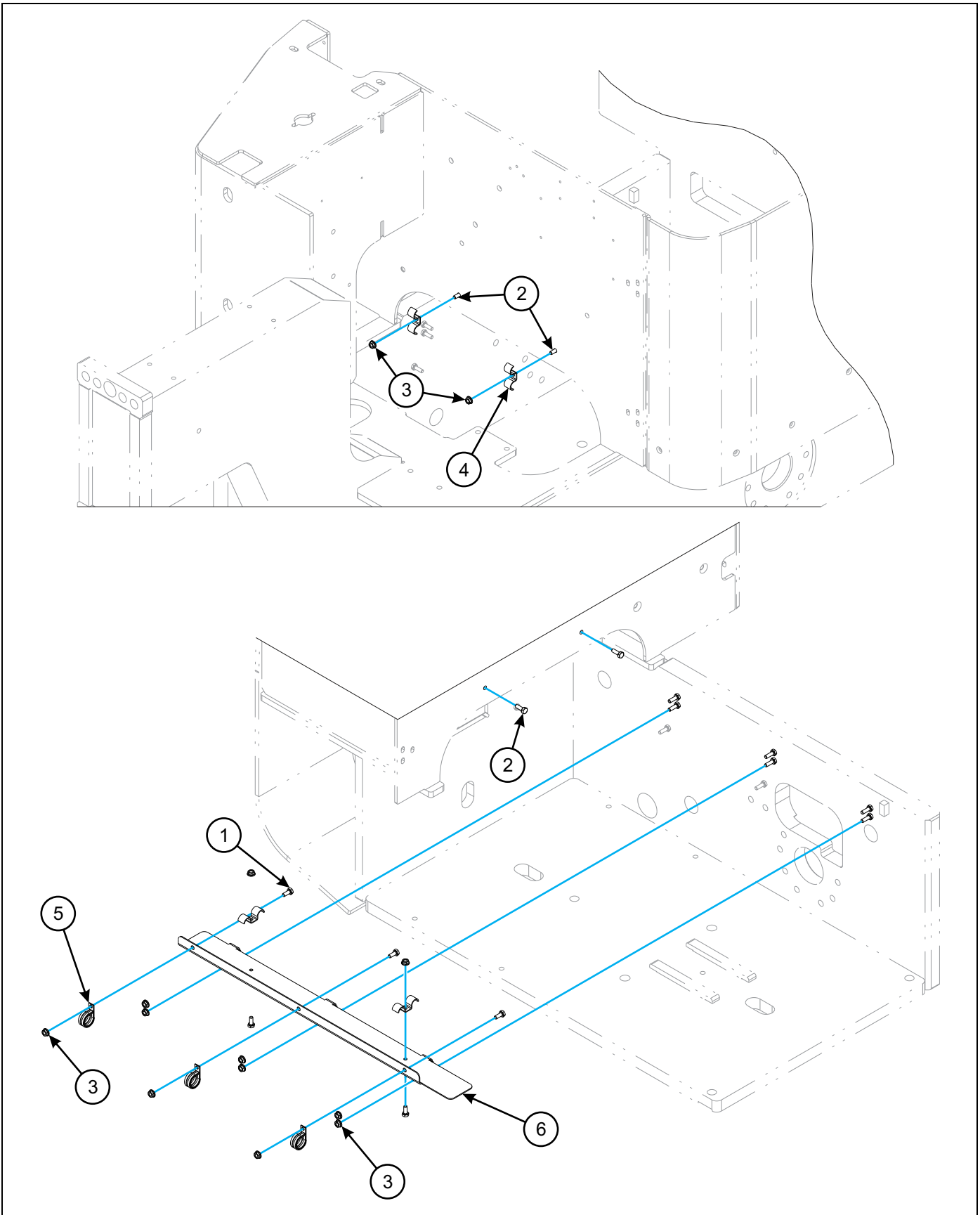


Figure 1-15: Hose Routing Installation

---

## Hose Routing Installation

---

ITEM	PART NUMBER	DESCRIPTION	QTY.
1	1-654-010047-03	SCREW, HEX 1/4-20UNCX5/8	5
2	1-654-010047-04	SCREW,HEX CAP,1/4-20X3/4 GR5	2
3	108417	NUT SPIRAL 1/4-20HX FG	13
4	109099	CLAMP, 5/8 DOUBLE TUBE	4
5	239-9076-009	CLAMP	3
6	157345	TRAY, CABLE & HARNESS B3-AC	1

---



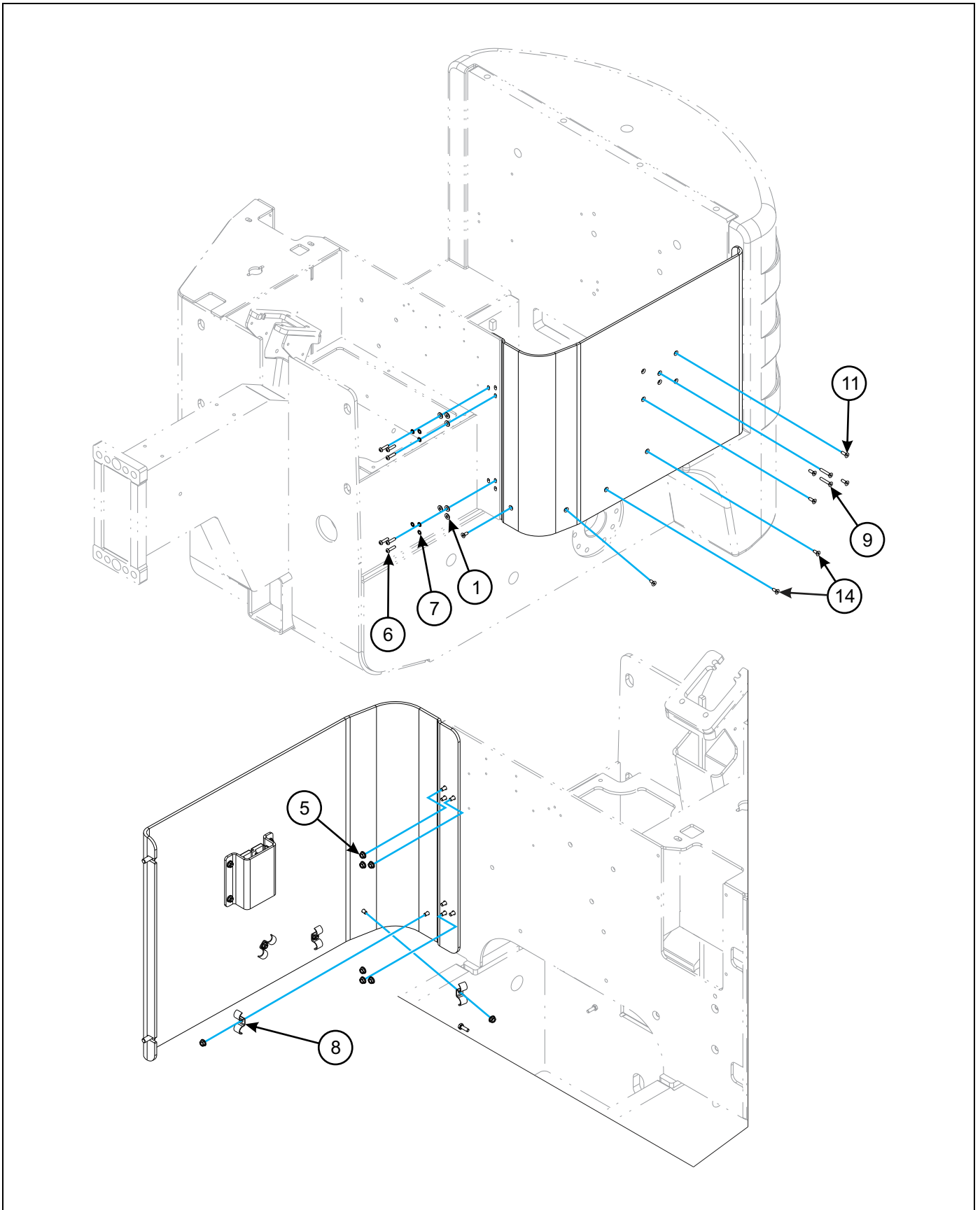


Figure 1-16: Rigid Door Installation (1 of 2)

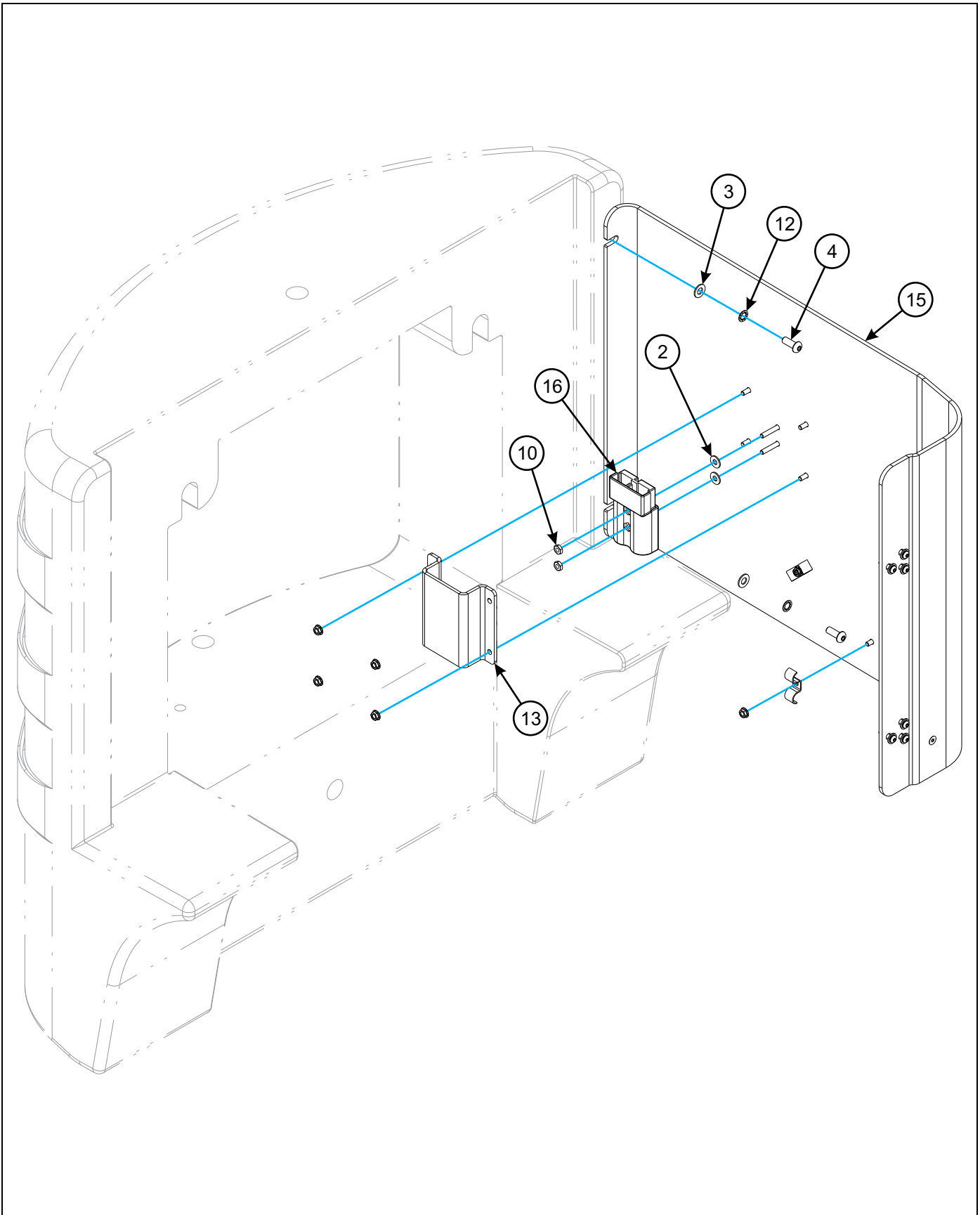


Figure 1-17: Rigid Door Installation (2 of 2)

## Rigid Door Installation

ITEM	PART NUMBER	DESCRIPTION	QTY.
1	1-861-010032-06	WASHER, FLAT 1/4 N ZP/CD	6
2	1-861-010032-07	WASHER,FLAT 1/4 ZP	2
3	1-861-010032-10	WASHER, FLAT 3/8" N ZP/CD	2
4	108336	SCREW SKT BTN 3/8-16X1	2
5	108417	NUT SPIRAL 1/4-20HX FG	14
6	108610	SCREW BHSC 1/4-20UNCX1	6
7	108797	WASHER 1/4 LKG INT TOOTH	6
8	109099	CLAMP, 5/8 DOUBLE TUBE	4
9	111630	SCREW,HXSKT CTSK1/4-20UNCX1.5	2
10	115963	NUT,HVY HX JAM 1/4-20	2
11	118631	SCREW HX SKT CTSK1/4-20X3/4ZP	4
12	119734	WASHER, 3/8 LKG INTERNALTOOTH	2
13	127090	CHANNEL,B40UK-4 BATT CONN MNT	1
14	127356	SCREW HXSKT CTSK1/4-20UNCX5/8	4
15	128859	PANEL,B30UK-4 LH BATT COMP	1
16	30008	CONNECTOR BATTERY SB350 BLUE	1





Decals

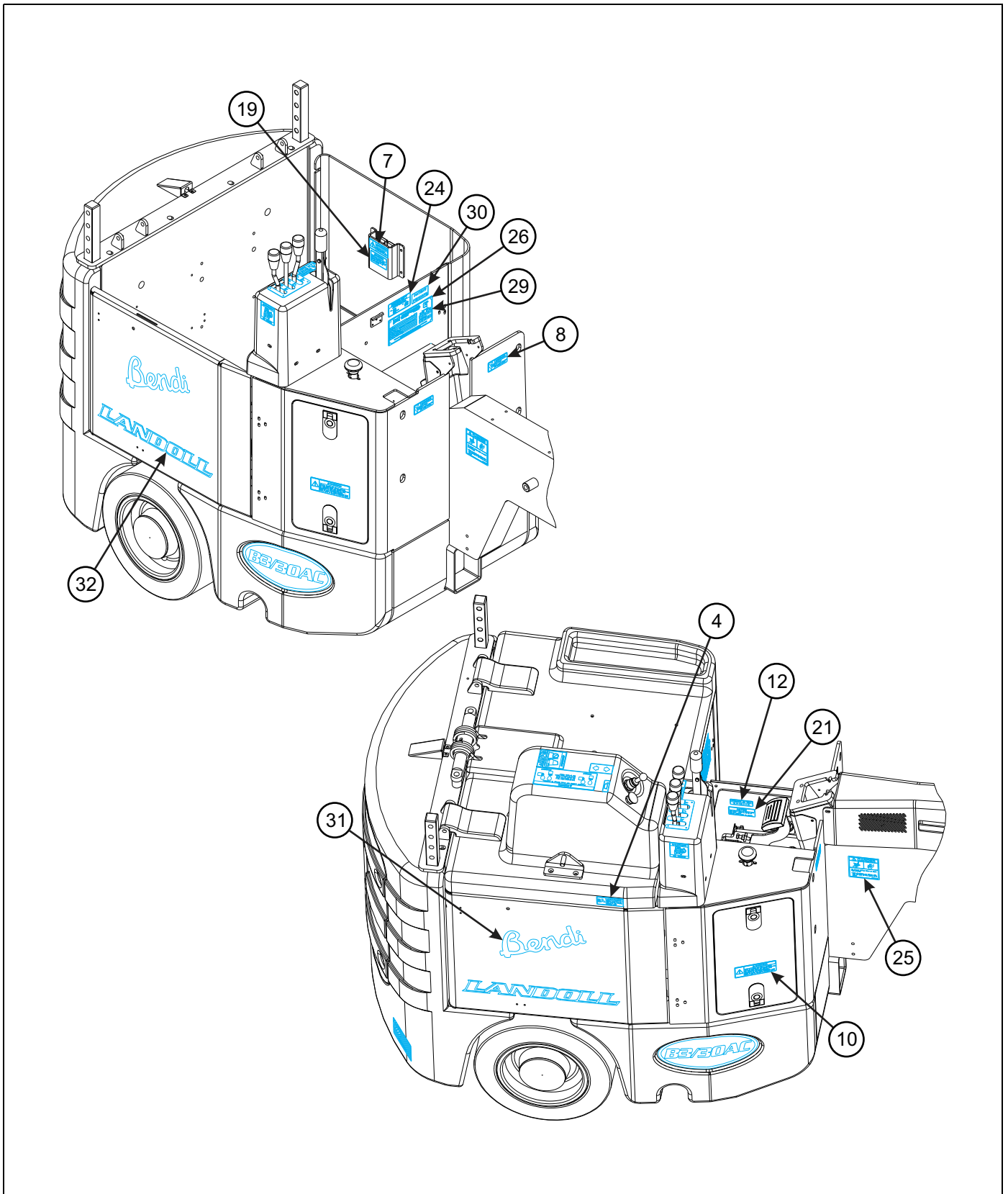


Figure 1-18: Decal Placement (1 of 2)

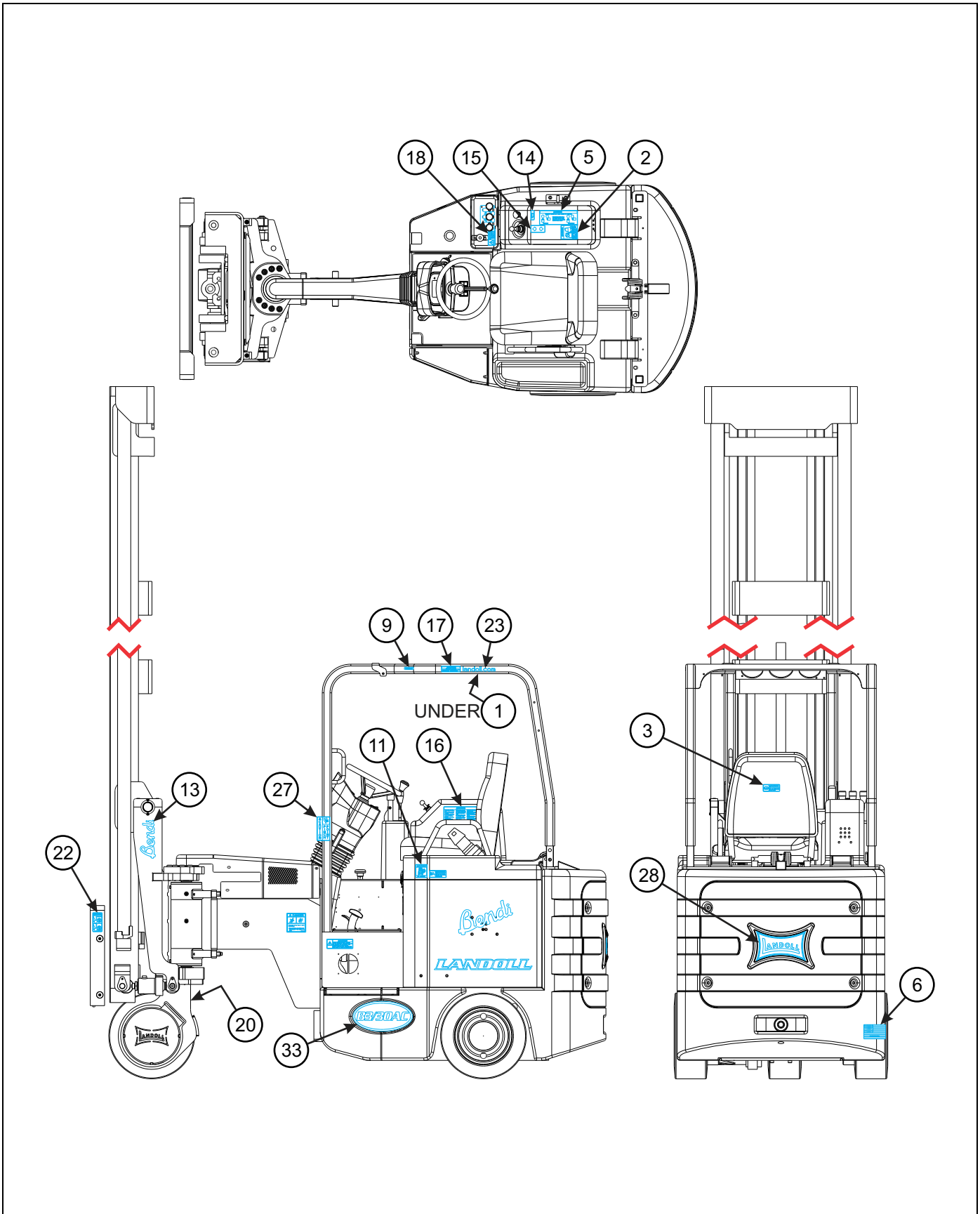


Figure 1-19: Decal Placement (2 of 2)

## Decal Placement

ITEM	PART NUMBER	DESCRIPTION	QTY.
1		DECAL, DANGER ROLLOVER	1
2		DECAL, OVERLOAD WARNING	1
3		DECAL, BEFORE OPER. WARNING	1
4		DECAL, COVER OPEN WARNING	2
5		DECAL, PROPER VEH. LOADING	1
6		DECAL, MADE IN USA FLAG	1
7		DECAL, BATTERY WARNING	1
8		DECAL, SIDE SHIFT CAUTION	2
9		DECAL, OVERHEAD GUARD	1
10		DECAL, TIRE REPLACEMENT	2
11		DECAL, OPERATOR WARNING	1
12		DECAL, HYDRAULIC FLUID ONLY	1
13		DECAL, OHG PINCH PT	2
14		DECAL, BENDI DIRECTIONAL	1
15		DECAL, HORN BENDI	1
16		DECAL, NO RIDERS	2
17		DECAL, DO NOT REMOVE GUARD	1
18		DECAL, APPLY PARK BRAKE	1
19		DECAL, BATTERY LEAD WARNING	1
20		DECAL, BREVINI OIL SPEC	1
21		DECAL, SER 4 HYD FILTER	1
22		DECAL, WARNING, FORK HAZARD	2
23		DECAL, LANDOLL.COM GRAY	1
24		DECAL, FORKLIFT PATENTS	1
25		DECAL, DANGER PINCHING	2
26	107-0828	POP RIVET 5/32 CHERRY #BSP52	4
27	130602	DECAL, DREXEL YELLOW BENDI 8	2
28	130603	DECAL, DREXEL YELLOW BOW-TIE	1
29	163857	DATA PLATE, LANDOLL FORKLIFT	1
30	2P726	DECAL, PATENT PENDING	1
31	151430	DECAL, BENDI 12 (BLACK)	2
32	152870	DECAL, BLK OUTLINE 20" LANDOLL	2
33	158958	DECAL, B3/30AC SIDE p	2
34	173698	SAFETY LABELS, BT/B3 (INCLUDES ITEMS 1 - 25 AND EXTRAS)	1



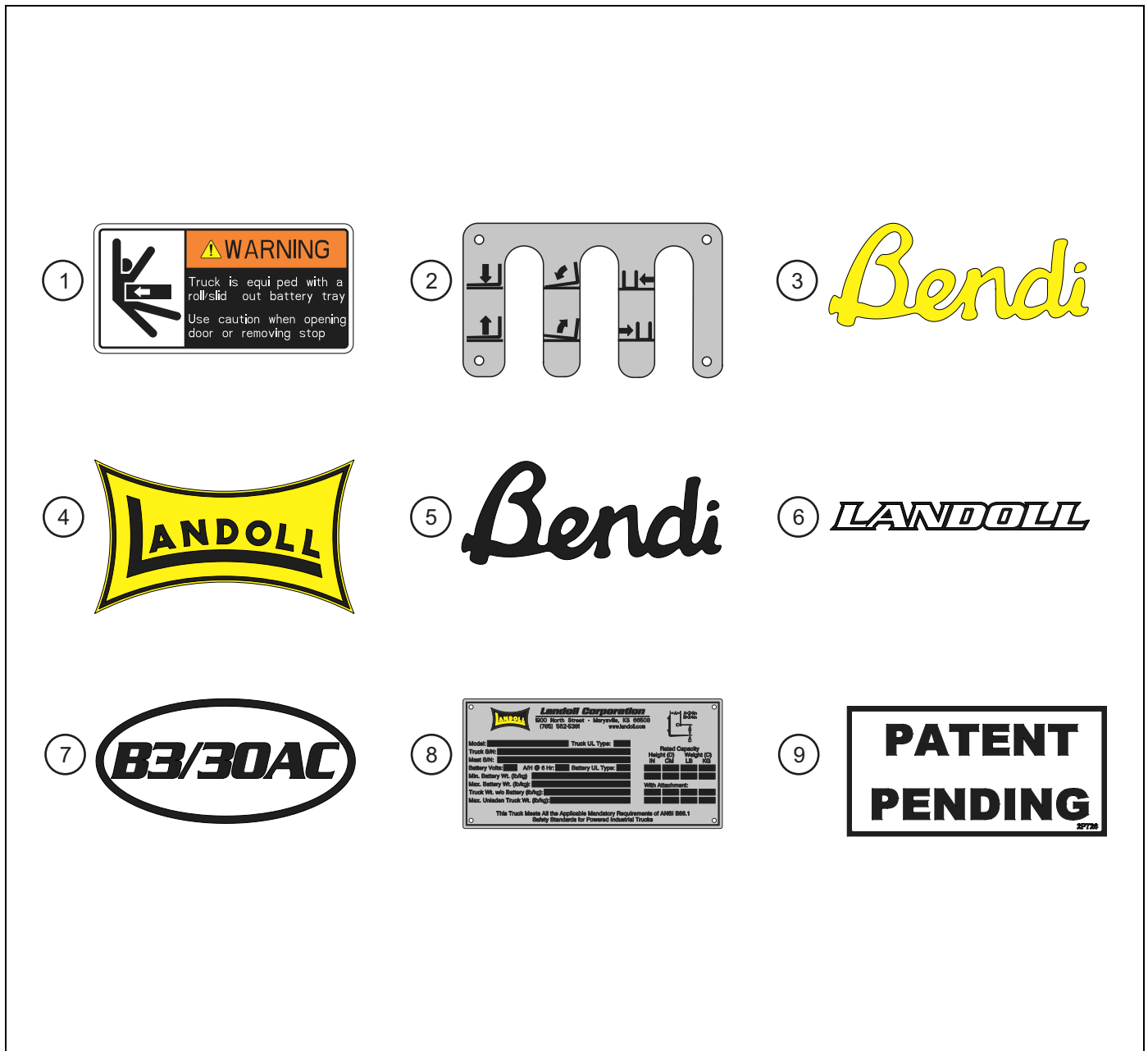


Figure 1-21: Decals (2 of 2)

## Decals

ITEM	PART NUMBER	DESCRIPTION	QTY.
1	102159	DECAL, CAUTION ROLLOUT BATT.	1
2	121422	PLACARD, OPERATOR DATA	1
3	130602	DECAL,DREXEL YELLOW BENDI 8	2
4	130603	DECAL,DREXEL YELLOW BOW-TIE	1
5	151430	DECAL,BENDI 12 (BLACK)	2
6	152870	DECAL,BLK OUTLINE 20" LANDOLL	2
7	158958	DECAL, B3/30AC SIDE	2
8	163857	DATA PLATE, LANDOLL FORKLIFT	1
9	2P726	DECAL, PATENT PENDING	1
10	173698	SAFETY LABELS, BT/B3 (INCLUDES EXTRAS)	1

Electrical

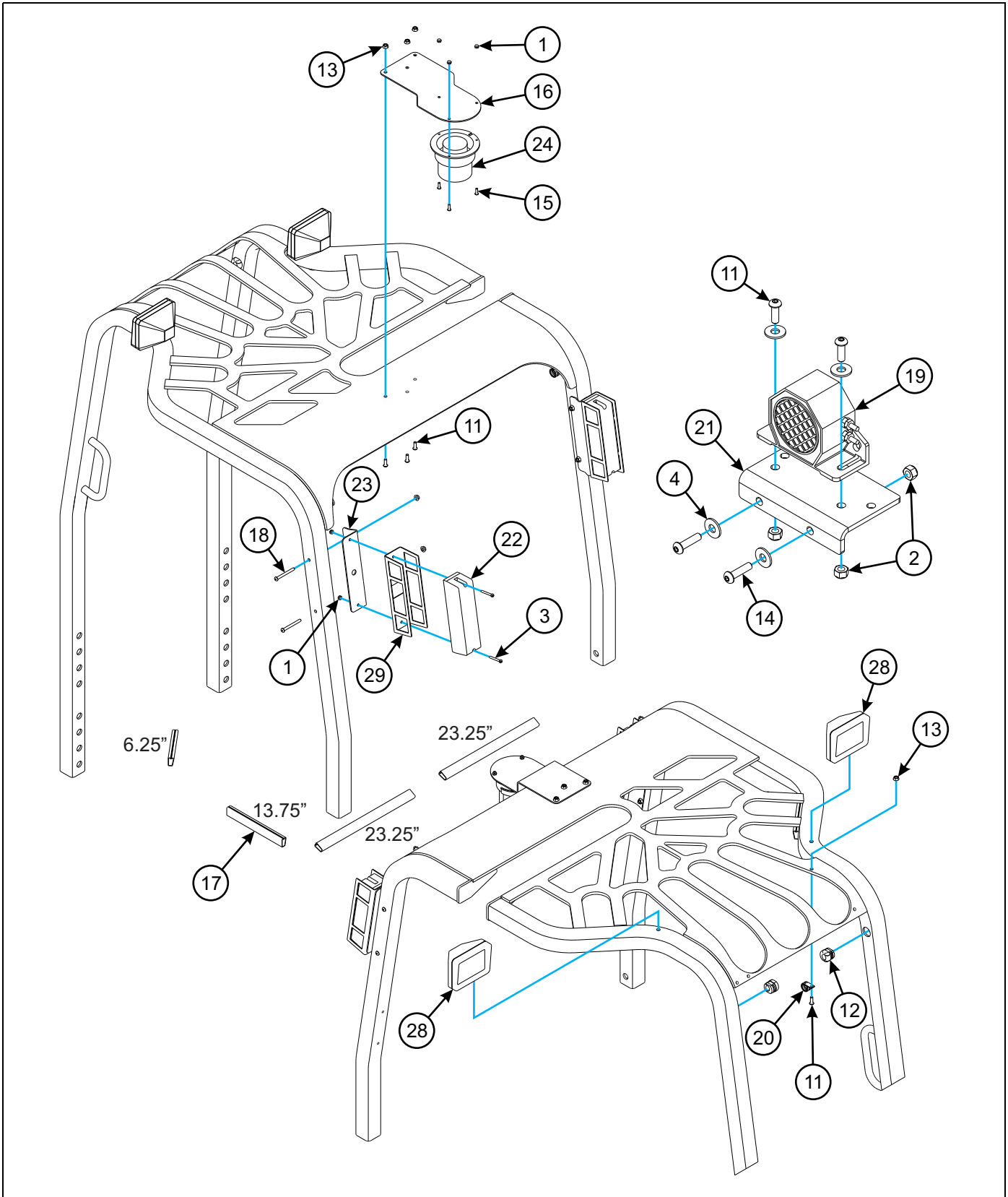


Figure 1-22: Alarm and Lighting

## Alarm and Lighting

ITEM	PART NUMBER	DESCRIPTION	QTY.
1	1-512-010003-06	NUT,HEX,SLFLKG W/NLY 10-24	
2	1-512-010003-09	NUT,1/4-20 ESNA	
3	1-654-010100028	SCREW MACH TRUSS HD 10-24X1	
4	1-861-010032-07	WASHER,FLAT 1/4 ZP	
5	2-879-010103	WIRE INSULATED 18AWG BLACK <b>(NOT SHOWN)</b>	
6	239-3646-3	TERMINAL #14AWG TO #8 RING <b>(NOT SHOWN)</b>	
7	622-2967-002	PLUG 2 POS. (FEMALE) <b>(NOT SHOWN)</b>	
8	622-2967-015	SOCKET, 16-18AWG, SOLID <b>(NOT SHOWN)</b>	
9	622-2967-018	WEDGE, 2 POS PLUG <b>(NOT SHOWN)</b>	
10	9-879-010066	WIRE,INSULATED, 18AWG RED <b>(NOT SHOWN)</b>	
11	106955	SCREW,BHSC 1/4-20UNCX3/4	
12	108409	BUSHING,STR-THRU STRN RELIEF	
13	108417	NUT SPIRAL 1/4-20HX FG	
14	108610	SCREW BHSC 1/4-20UNCX1	
15	109394	SCREW, BHSC #10-24UNCX5/8	
16	110289	BRACKET,STROBE MOUNT	
17	110470	SURFACE RACEWAY <b>(SOLD BY THE INCH)</b> <b>(ORDER LENGTH OF EACH PIECE INDIVIDUALLY)</b>	
18	115849	SCREW BHSC 1/4-20UNCX2-1/2 ZP	
19	117997	ALARM DB ADJ SMART BACKUP	
19	143573	ALARM, 12-80VDC 87DBA	
19	158471	ALARM, 102dBA 12-48V BACK-UP	
20	125894	CLAMP, CABLE 5/8 SST	
21	127991	BRACKET, BACKUP ALARM MNT I/C	
22	145817	ASSY, 48V LED TAIL LIGHT	
23	146056	BRACKET, LED TAILLIGHT MNT	
24	146067	ASSY, 12-80V LED STROBE	
24	110467	ASSY,REVERSE STROBE	
25	146160	HARNESS, PM/SL REV LT JMP <b>(NOT SHOWN)</b>	
26	154179	HARNESS, OHG HEAD LT BENDI AC <b>(NOT SHOWN)</b>	
27	154180	HARNESS OHG TAIL LT BENDI AC <b>(NOT SHOWN)</b>	
28	169104	LIGHT,48V SQUARE LED FLOOD	
29	0030024	BRACKET STOP LIGHTS	

**NOTE: QUANTITIES NOT SHOWN DUE TO THE VARIETY OF COMBINATIONS OF ALARM AND LIGHTING OPTIONS.**





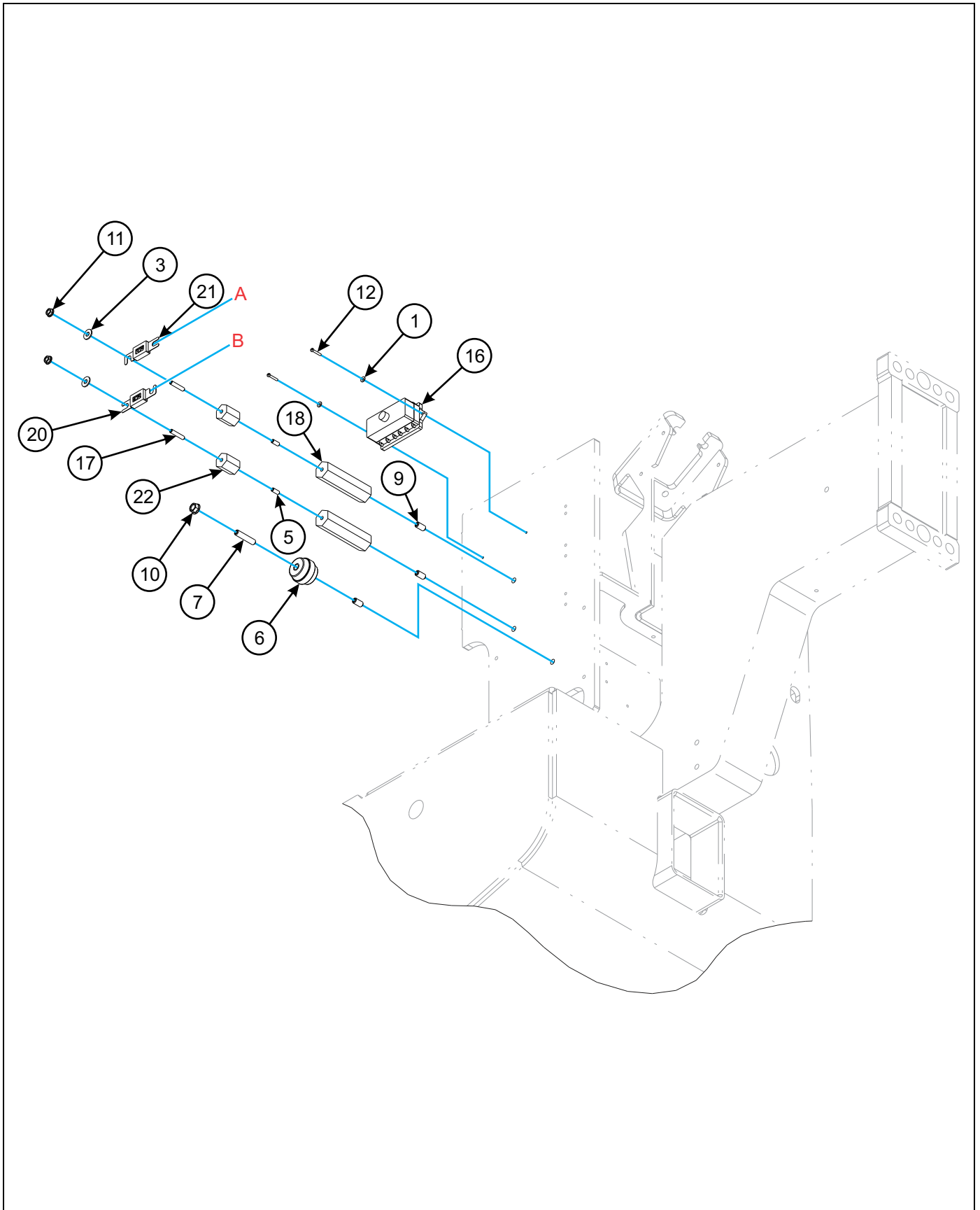


Figure 1-23: Contactors Installation (1 of 2)

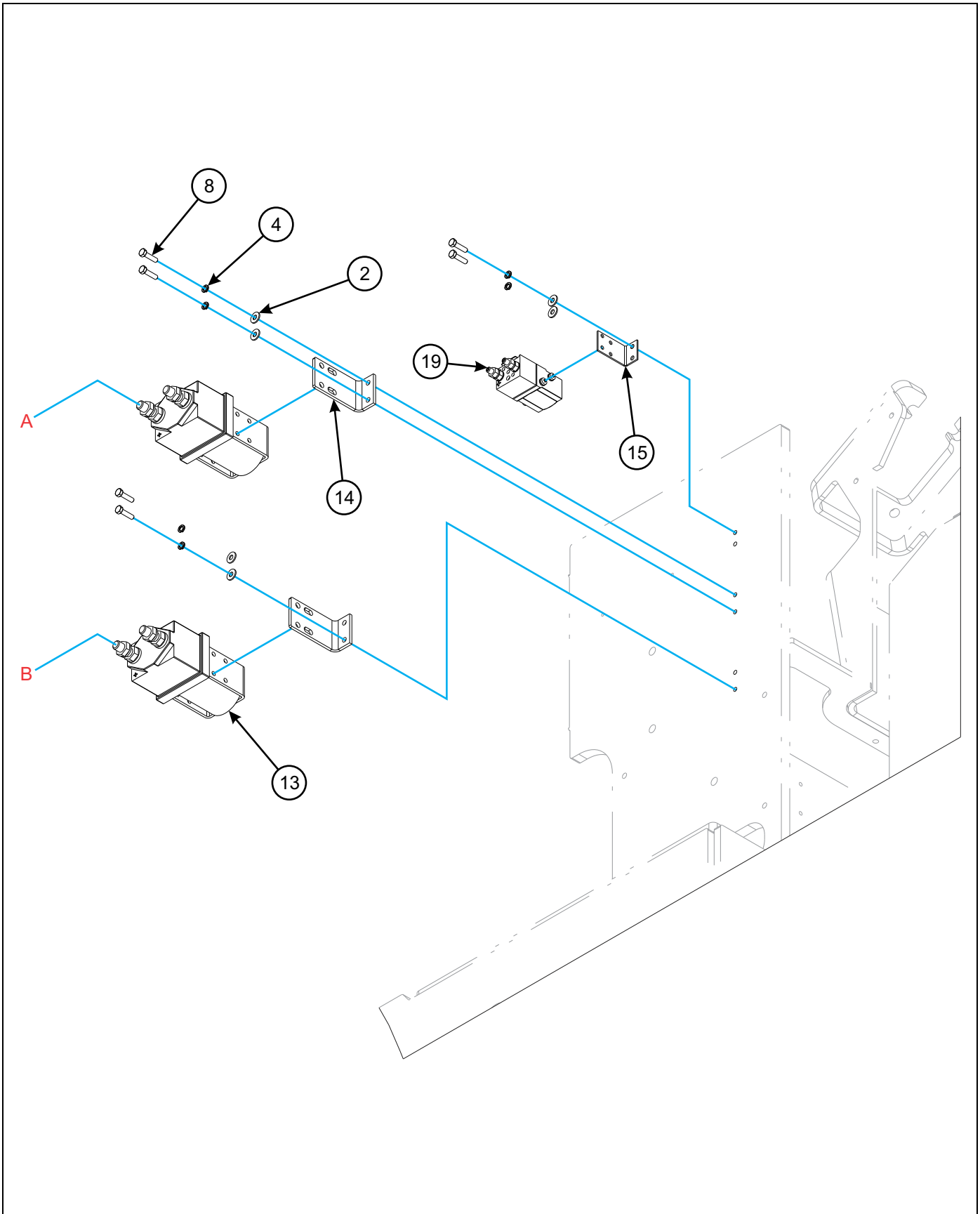


Figure 1-24: Contactors Installation (2 of 2)

## Contactors Installation

ITEM	PART NUMBER	DESCRIPTION	QTY.
1	1-861-010032-01	WASHER, FLAT #6 ZP/CD	2
2	1-861-010032-03	WASHER, FLAT #10 ZP/CD	6
3	1-861-010032-07	WASHER,FLAT 1/4 ZP	2
4	1-861-010034-07	WASHER,LKG,HLCL SPR, NO 10	6
5	101375	SCREW HEX,SKT 1/4-20X5/8	2
6	105494	INSULATOR,600V STANDOFF	1
7	106100	SCREW,SET,HX SKT3/8-16X1-3/4	1
8	107-0002	#10-24X3/4LG HHCS	6
9	107-0984	SCREW,SET 3/8-16UNCX.75KNRLCPT	3
10	107470	NUT,SPIRALOCK 3/8-16HX	1
11	108417	NUT SPIRAL 1/4-20HX FG	2
12	122187	SCREW,MACH SLOT FILL 6-32X3/4	2
13	143542	CONTACTOR, SW200 W/ DUST SHLD	2
14	143547	MOUNT,SW CONTACTOR B3-2	2
15	145406	L-BRACKET FOR CONTACTOR	1
16	146061	HOLDER, COVERED 6 FUSE	1
17	146072	SCREW, HEX/SKT, 1/4-20X1-1/4	2
18	146632	STANDOFF, FUSE INSULATOR	2
19	152144	CONTACTOR,SW60 48V DC ENCLSD	1
20	36204	FUSE, 425 AMP	1
21	36205	FUSE 325 AMP	1
22	40-0933	INSULATOR, POWER FUSE	2

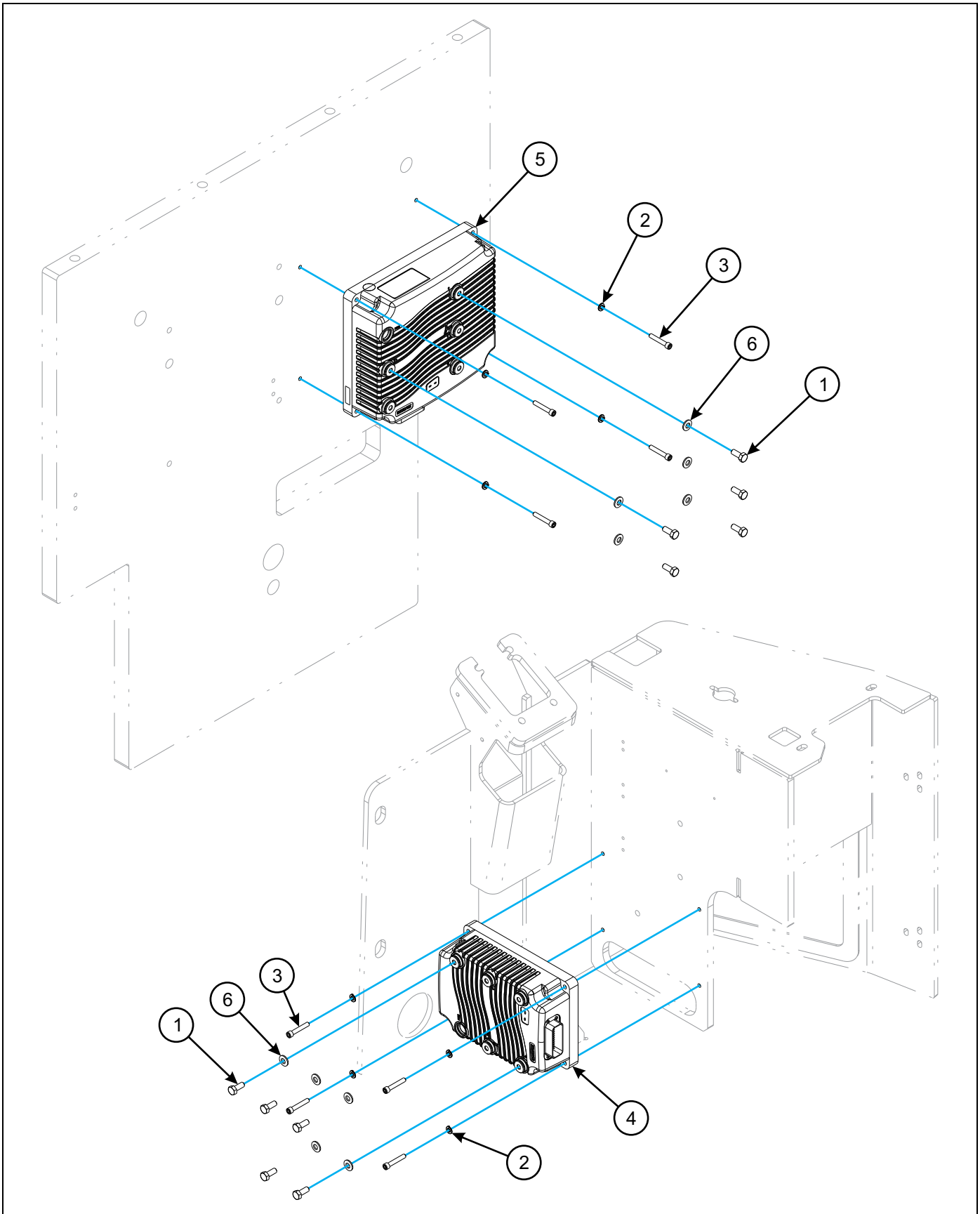


Figure 1-25: Controller Installation

---

## Controller Installation

---

ITEM	PART NUMBER	DESCRIPTION	QTY.
1	1-654-010166-04	SCREW M8-1 25X20 HCS 8.8 ZP	10
2	1-861-010034-09	WASHER, LKG HLCL SPR, 1/4	8
3	118575	SCREW HX SKT HD1/4-20X1-1/2ZP	8
4	146295	CONTROLLER, 48V 350A AC MOTOR	1
5	146296	CONTROLLER, 48V 650A AC MOTOR	1
6	146613	WSHR,5/16IDX5/64THK CONL SAF	10

---

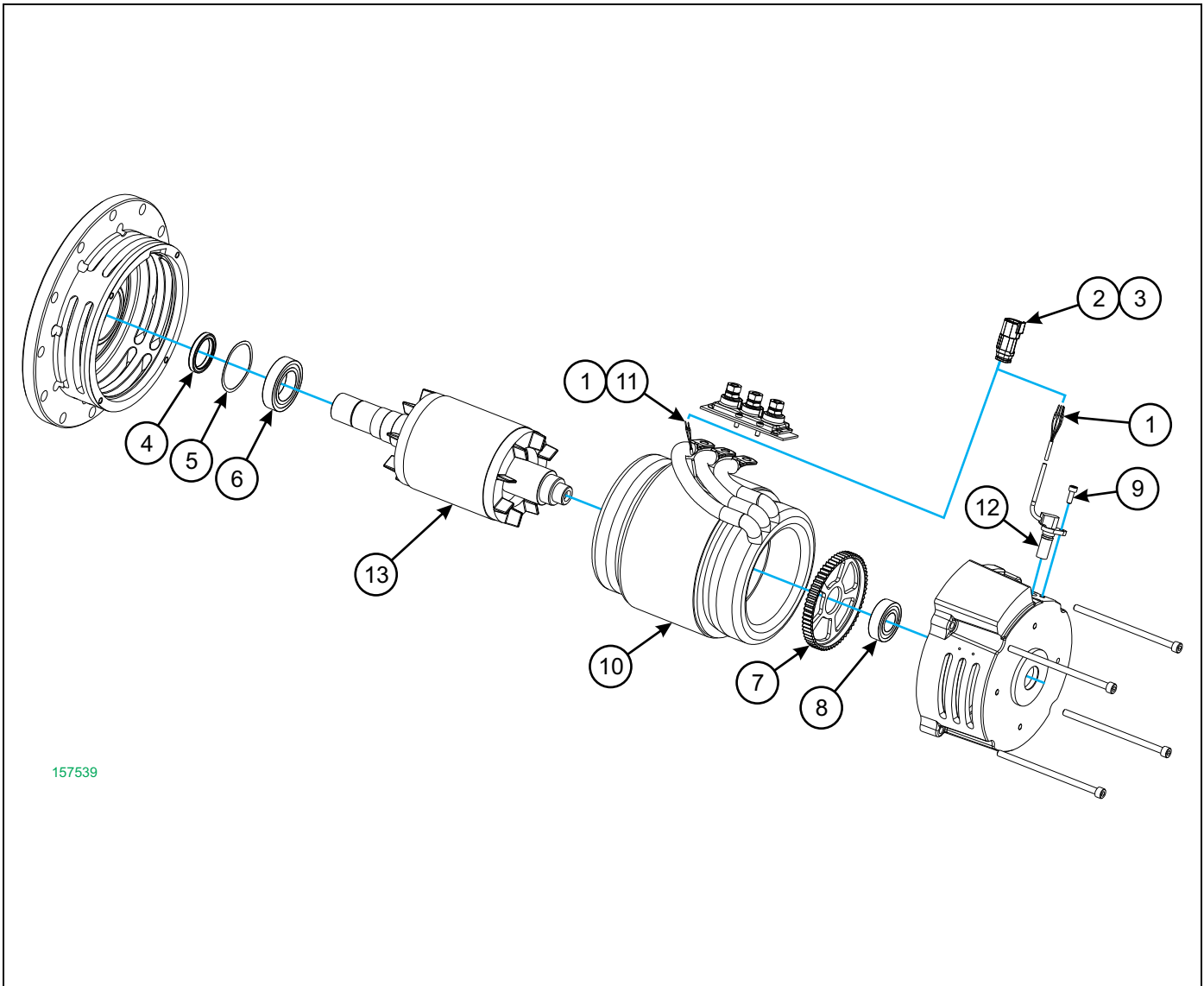


Figure 1-26: Drive Motor Assembly

## Drive Motor Assembly

ITEM	PART NUMBER	DESCRIPTION	QTY.
	157539	MOTOR, AC B3 DRIVE	
1	144599	PIN SIZE 20 DEUTSCH	4
2	150673	RECEPTACLE 6 PIN SIZE 20	1
3	150674	LOCK RECEPTACLE 6 PIN	1
4	170122	SHAFT SEAL 38X52X7 BA	1
5	170123	WAVY-WASHER KAS 67-K3	1
6	170124	BALL BEARING 6008 2ZC3 HL	1
7	170127	GEAR WHEEL SENSOR 200-64	1
8	170128	BALL BEARING 6205 2ZC3 HL	1
9	170130	CYL SCRW DIN912 M6X16-8.8-A1P-	1
10	174269	STATOR 200	1
11	174270	SENSOR, TEMPERATURE COMPLETE	1
12	174271	SENSOR, COMPLETE	1
13	174272	ROTOR 200-AS	1

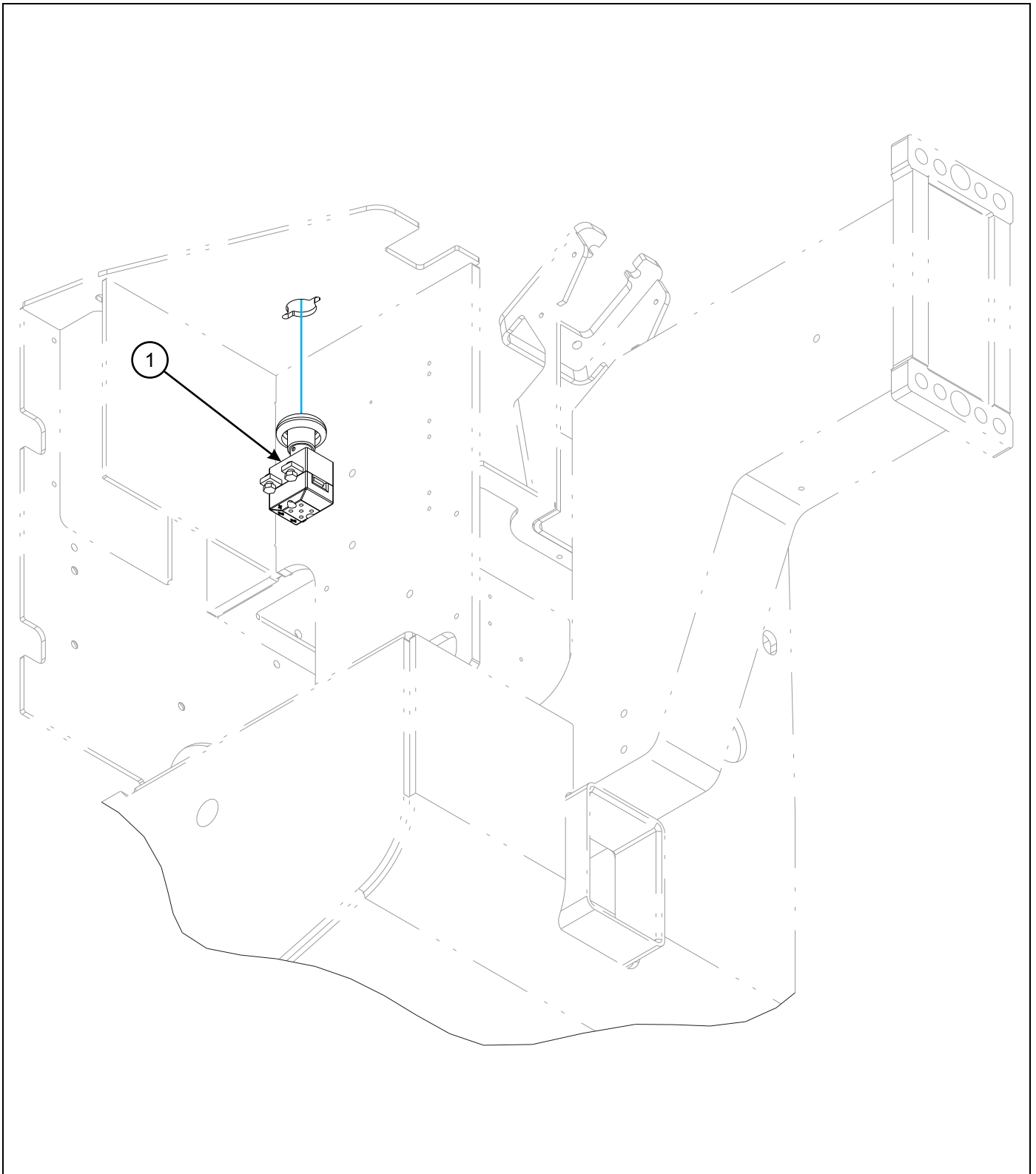


Figure 1-27: Emergency Stop Button Installation

## Emergency Stop Button Installation

ITEM	PART NUMBER	DESCRIPTION	QTY.
1	0030010	SWITCH,EMERGENCY KILL,BENDI48	1

## ILLUSTRATED PARTS LIST

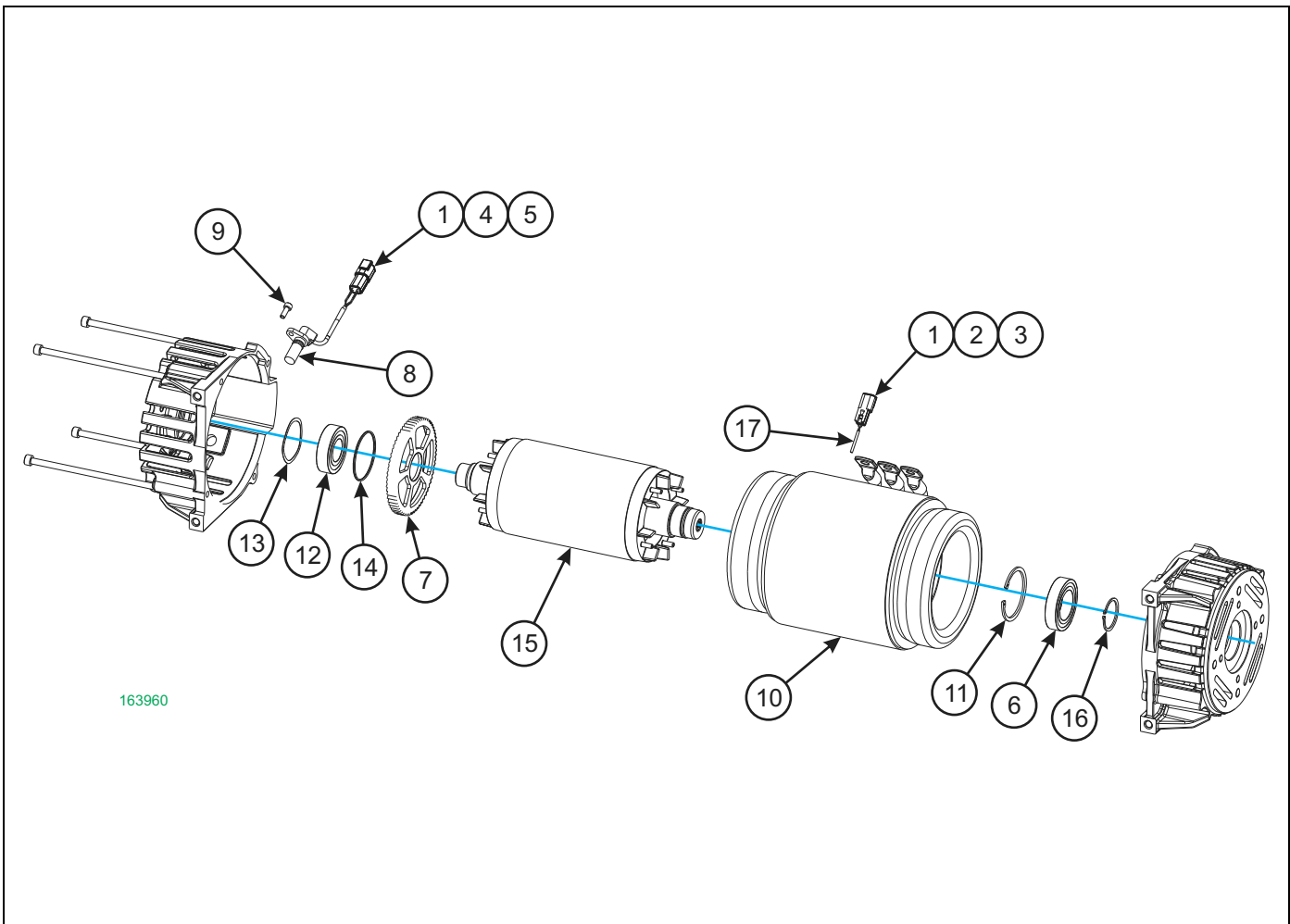


Figure 1-28: Pump Motor Assembly

### Pump Motor Assembly

ITEM	PART NUMBER	DESCRIPTION	QTY.
	163960	MOTOR,SCH 20KW AC PUMP	
1	144599	PIN SIZE 20 DEUTSCH	6
2	150665	RECEPTACLE 2 PIN SIZE 20	1
3	150666	LOCK RECEPTACLE 2 PIN	1
4	150669	RECEPTACLE 4 PIN SIZE 20	1
5	150670	LOCK RECEPTACLE 4 PIN	1
6	170124	BALL BEARING 6008 2ZC3 HL	1
7	170127	GEAR WHEEL SENSOR 200-64	1
8	170129	SENSOR COMPLETE	1
9	170130	CYL SCRW DIN912 M6X16-8.8-A1P-	1
10	170134	STATOR 200	1
11	170135	CIRCLIP DIN 472-68X2, 5	1
12	170136	BALL BEARING 6206 2ZC3 HL	1
13	170137	WAVY WASHER 6206K3	1
14	170138	O-RING 62X2, 0	1
15	170139	ROTOR 200-AS	1
16	170140	CIRCLIP DIN471-40X1,75	1
17	170141	TEMP SENSOR CPL KTY84-130 DTM	1



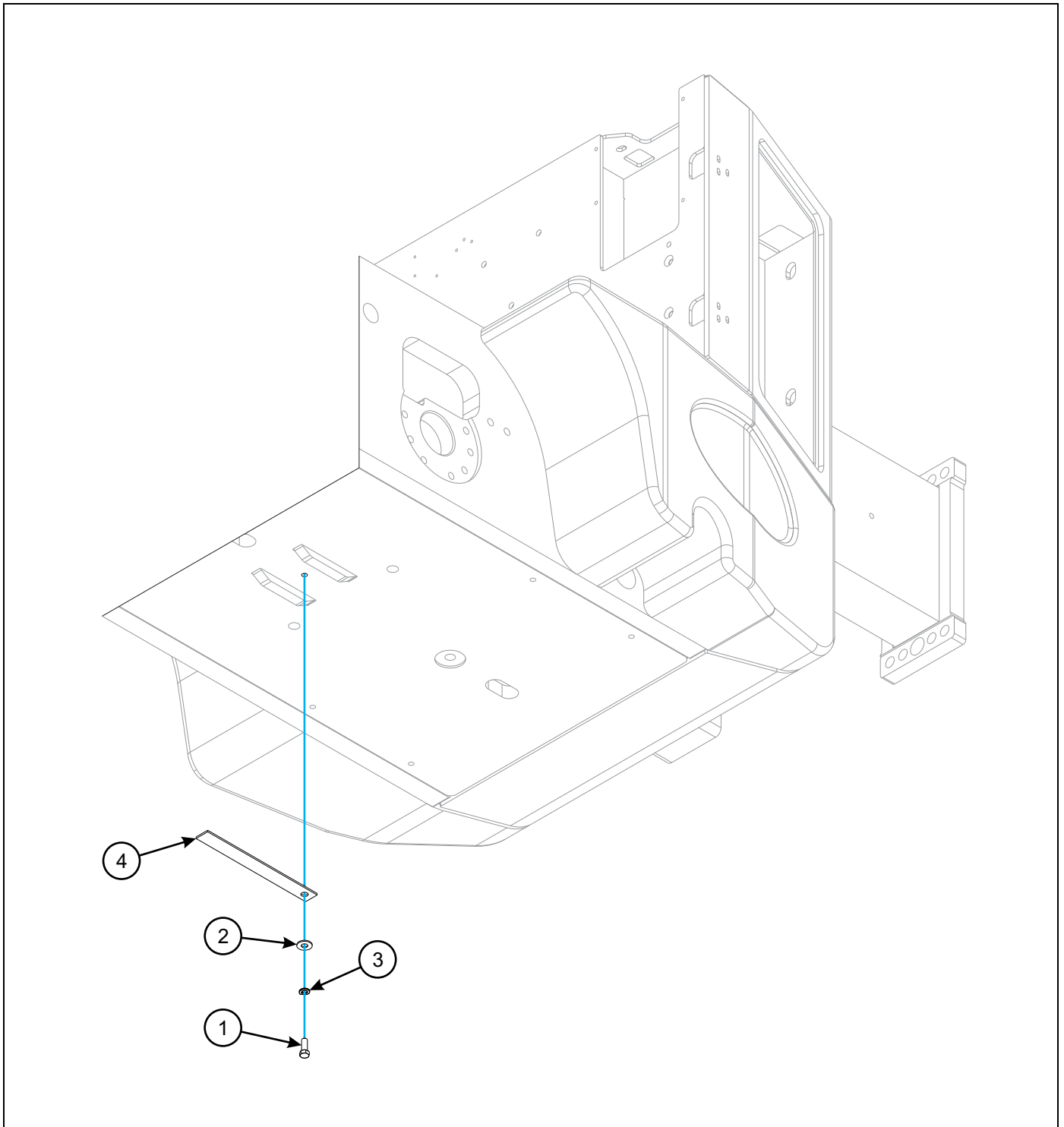


Figure 1-29: Static Strap Installation

## Static Strap Installation

ITEM	PART NUMBER	DESCRIPTION	QTY.
1	1-654-010051-05	SCREW,HEX CAP 3/8-16UNCX1 GR5	1
2	1-861-010032-11	WASHER, FLAT 3/8 W ZP/CD	1
3	1-861-010034-11	WASHER, LKG HLCL SPR, 3/8	1
4	6719	STRAP, GROUND	1

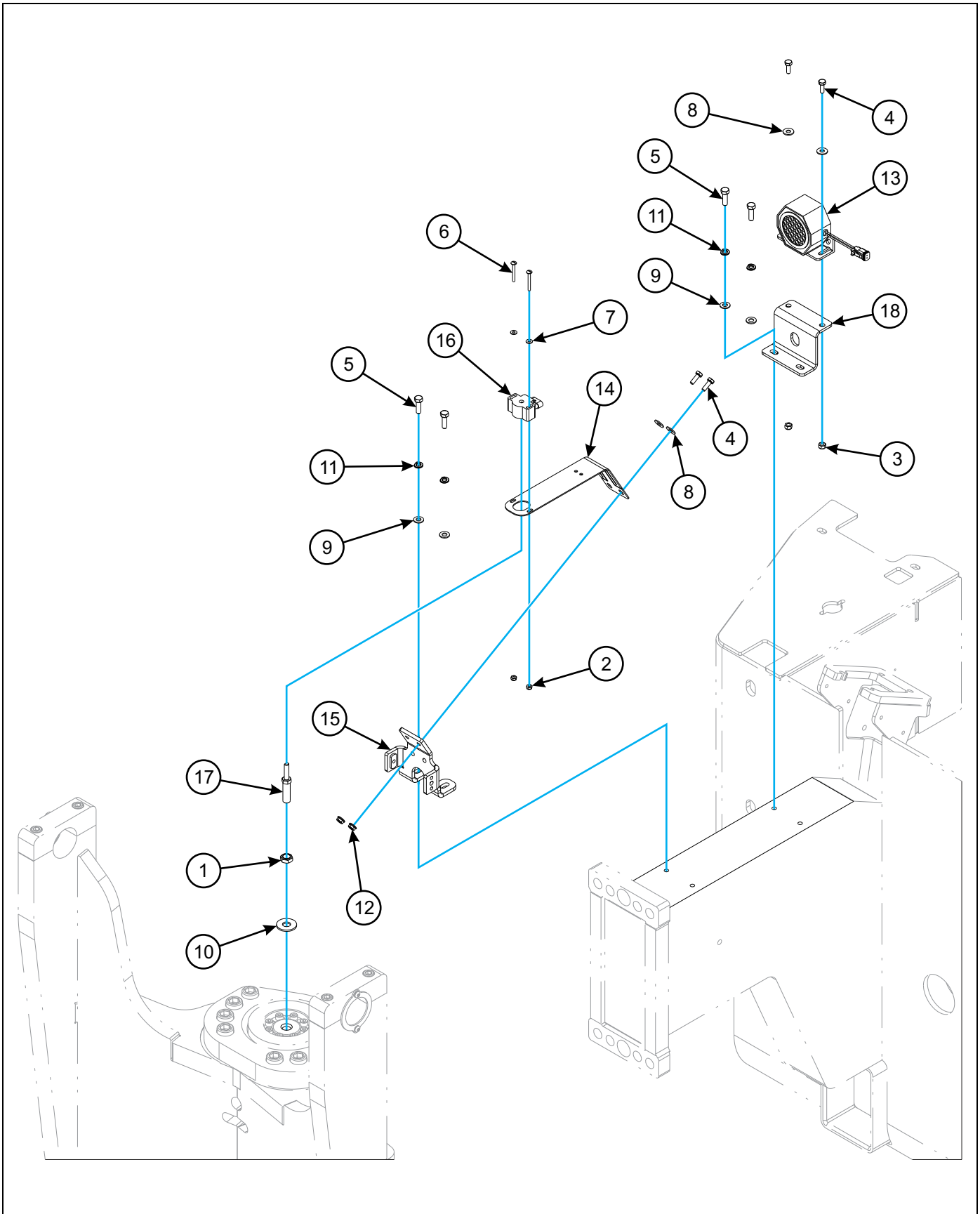


Figure 1-30: Steering Potentiometer and Horn Installation

## Steering Potentiometer and Horn Installation

ITEM	PART NUMBER	DESCRIPTION	QTY.
1	1-511-010002-05	NUT,HEX JAM,1/2-20UNF GR2	1
2	1-512-010003-03	NUT,HX 8-32,SLF-LKG W/NYL	2
3	1-512-010003-09	NUT,1/4-20 ESNA	2
4	1-654-010047-04	SCREW,HEX CAP,1/4-20X3/4 GR5	4
5	1-654-010049-05	SCREW HX CP 5/16-18UNCX1 GR5	4
6	1-656-010003034	SCREW, 8-32X1-1/2 RD HD MACH	2
7	1-861-010032-02	WASHER,FL #8 ZP/CD	2
8	1-861-010032-07	WASHER,FLAT 1/4 ZP	4
9	1-861-010032-08	WASHER,FLAT 5/16 ZP	4
10	1-861-010032-15	WASHER, FLAT 1/2 W ZP/CD	1
11	1-861-010034-10	WASHER,LKG 5/16	4
12	108417	NUT SPIRAL 1/4-20HX FG	2
13	116144	HORN, BT ELECTRONIC	1
14	145851	BRACKET, B3-4 FLEX STEER POT	1
15	145857	BRACKET WLDMT, B3-4 ROT SW/CVR	1
16	145962	POT,CONTINUOUS ROTATION 5K	1
17	160442	ROD,B55 POTENTIOMETER DRIVE	1
18	145740	BRACKET, B3-4 STRG BLKHED/HORN	1

Hydraulics

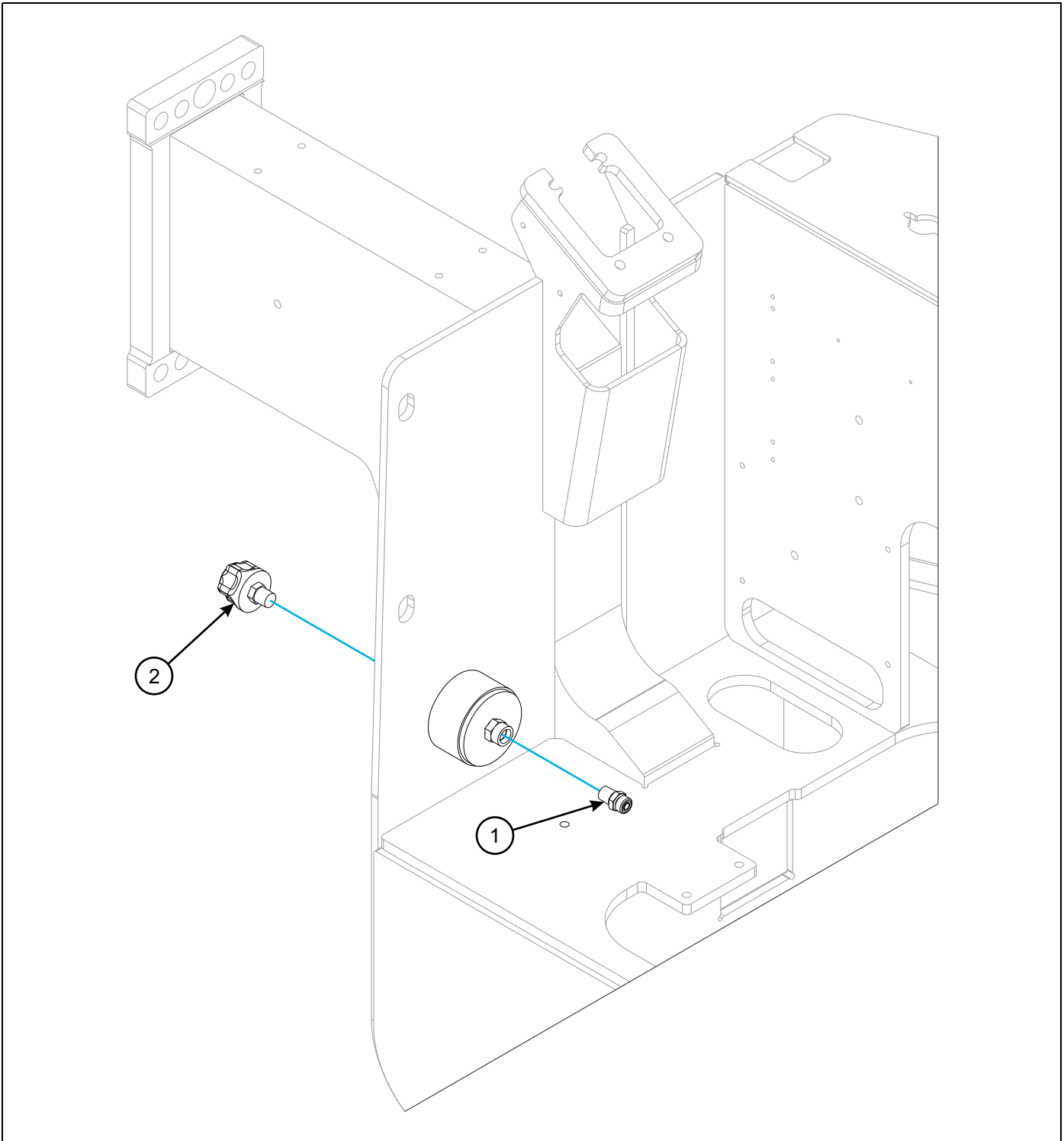


Figure 1-31: Breather Installation

Breather Installation

ITEM	PART NUMBER	DESCRIPTION	QTY.
1	123910	ADAPTER,#6ORS X #6NPT,CONNECT	1
2	125056	BREATHER,SER 4 HYDRAULIC TANK	1



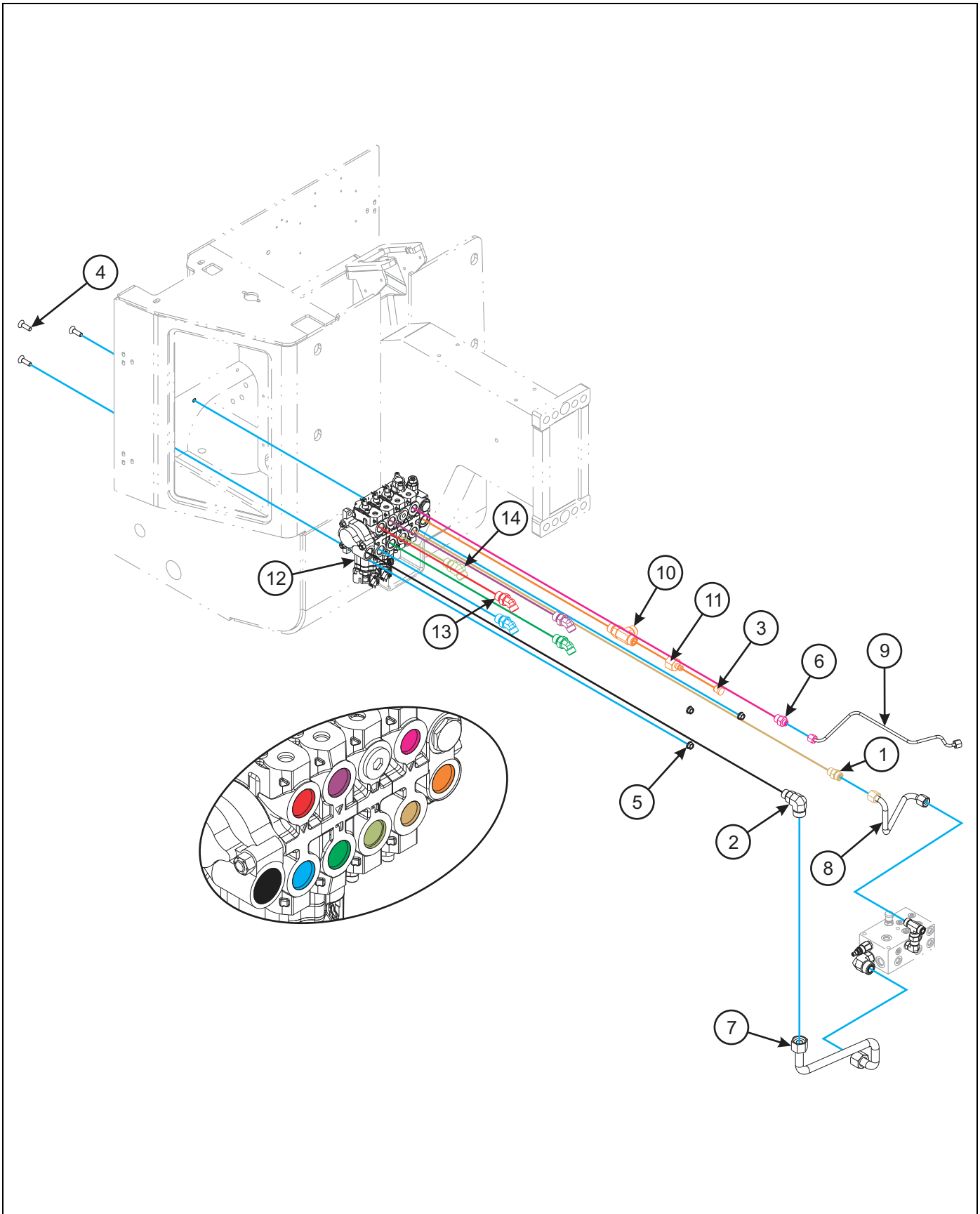


Figure 1-32: Hydraulic Control Valve Installation

---

## Hydraulic Control Valve Installation

---

ITEM	PART NUMBER	DESCRIPTION	QTY.
1	0018110	ADAPTER VALVE 1/2	1
2	0018119	ADAPTER P-STEER PUMP SUCTION	1
3	0018149	PORT DUST COVER	1
4	106429	SCREW,HX SKTCTSK3/8-16X1-1/4	3
5	107470	NUT, SPIRALOCK 3/8-16HX	3
6	127621	ADAPTER,#4 ORS X #8 ORB CONN	1
7	145853	TUBE, B3-4 HYD VAVLE RETURN	1
8	145854	TUBE, B3-4 STRG PRESS SUPPLY	1
9	145855	TUBE, B3-4 VLV LDSEN TO ORBTL	1
10	153283	ADAPTER,#10 ORS RUN TEE	1
11	153284	NIPPLE, #10 ORS DIAGNOSTIC	1
12	154004	VALVE, 3SPL HUSCO AX30454-180 <b>(SEE PAGE 1-56)</b>	1
13	154541	ADAPTER, #8ORS X #10ORB,45ELB	4
14	154542	ADAPTER,#10ORS X #10ORB,45ELB	1

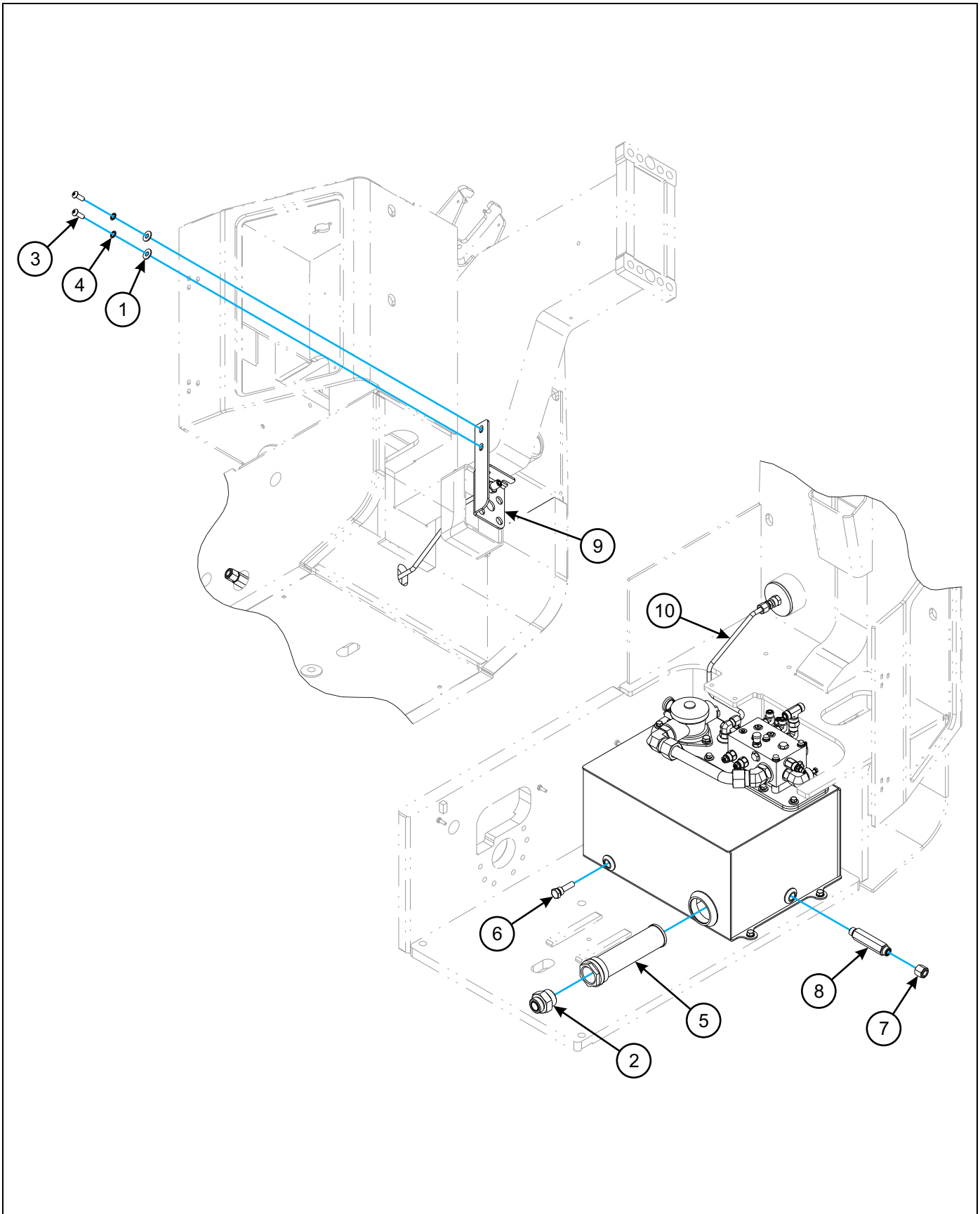


Figure 1-33: Hydraulic Components Installation



---

## Hydraulic Components Installation

---

ITEM	PART NUMBER	DESCRIPTION	QTY.
1	1-861-010032-11	WASHER, FLAT 3/8 W ZP/CD	2
2	102048	ADAPTER,#20 ORB X #16 ORS ST	1
3	108336	SCREW SKT BTN 3/8-16X1	2
4	119734	WASHER, 3/8 LKG INTERNALTOOTH	2
5	126088	STRAINER, TANK SAE #20 O-RING	1
6	127759	PLUG MAGNETIC #8 SAE 3/4-16	1
7	135032	CAP, FEMALE, 08 ORS	1
8	145736	ADAPTER, 80RB X 80RS LONG ACTR	1
9	145737	BRACKET, B3-4 MAST HOSE BLKHD	1
10	145739	TUBE, B3-4 BREATHER TO TANK	1

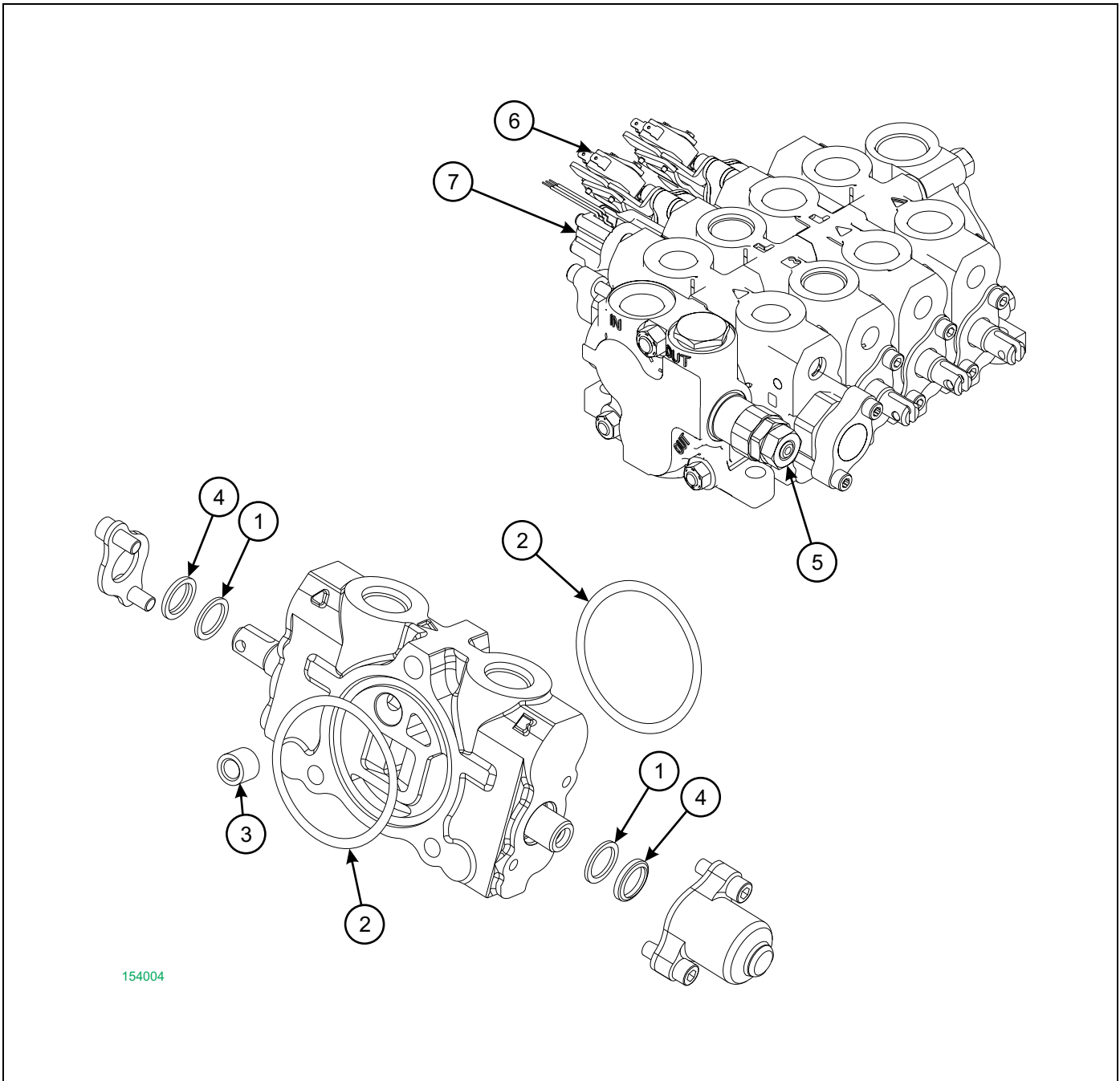


Figure 1-34: Hydraulic Control Valve Assembly

## Hydraulic Control Valve Assembly

ITEM	PART NUMBER	DESCRIPTION	QTY.
	154004	VALVE, 3SPL HUSCO AX30454-180	
1	168223	O-RING	2
2	168219	O-RING	2
3	168220	POPPET-C.V.	1
4	168222	WIPER	2
5	168221	RELIEF VALVE ASSY.	1
6	25035	SWITCH, MICRO	2
7	156260	KIT, BTAC LIFT SPOOL SENSOR (ONE KIT PER SPOOL)	REF



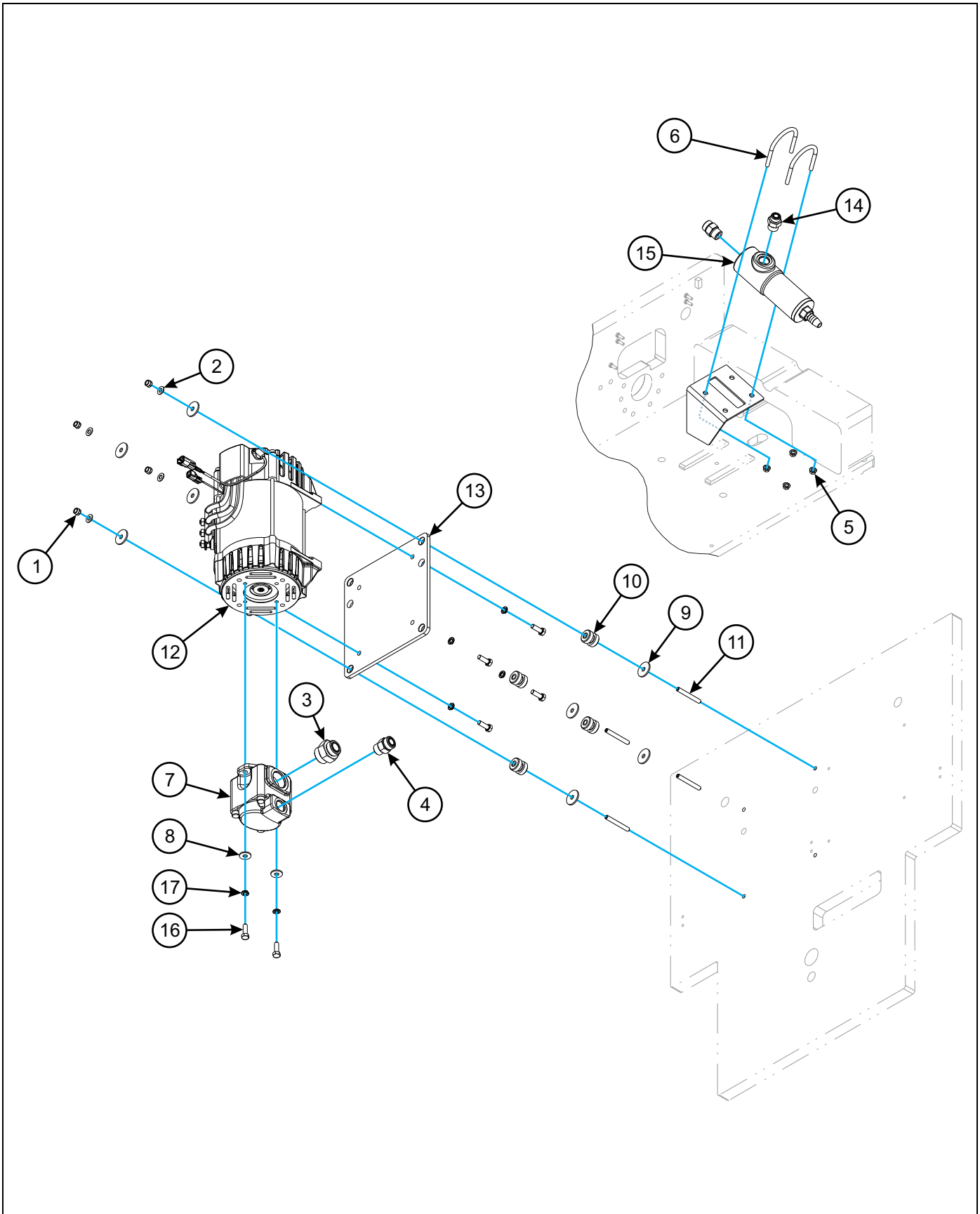


Figure 1-35: Hydraulic Motor, Pump, and Filter Installation

## Hydraulic Motor, Pump, and Filter Installation

ITEM	PART NUMBER	DESCRIPTION	QTY.
1	1-512-010005-05	NUT, HEX, SLFLKG GRB 3/8-16	4
2	1-861-010032-10	WASHER, FLAT 3/8" N ZP/CD	4
3	102048	ADAPTER,#20 ORB X #16 ORS ST	1
4	104382	ADAPTER,#12 ORS X #12 ORB ST	2
5	107470	NUT, SPIRALOCK 3/8-16HX	4
6	110578	U-BOLT, 3/8-16 x 3-1/8 x 4-1/8	2
7	146676	PUMP, BI-T3 AUXILIARY HYD	1
8	149443	WASHER, FLAT M10 STD ZP	2
9	154015	WASHER 3/8X1-1/2X1/8 FENDER	8
10	154016	MOUNT, BT/AC HYD MTR ANTI-VIB	4
11	157542	SCREW, 3/8-16X3 CUP PT SET	4
12	163960	MOTOR, SCH 20KW AC PUMP <b>(SEE PAGE 1-46)</b>	1
13	165738	PLATE PUMP MTR MOUNT SL	1
14	167736	ADAPTER, #12ORB X #10 ORS STRP	1
15	173927	FILTER, 3000PSI 60GPM HYD	1
16	7CM1030ER	SCREW M10-1.5X30 HCS 10.9 ZP	6
17	M10SLW ZP	WASHER, SPLIT LK METRIC 10MMZP	6

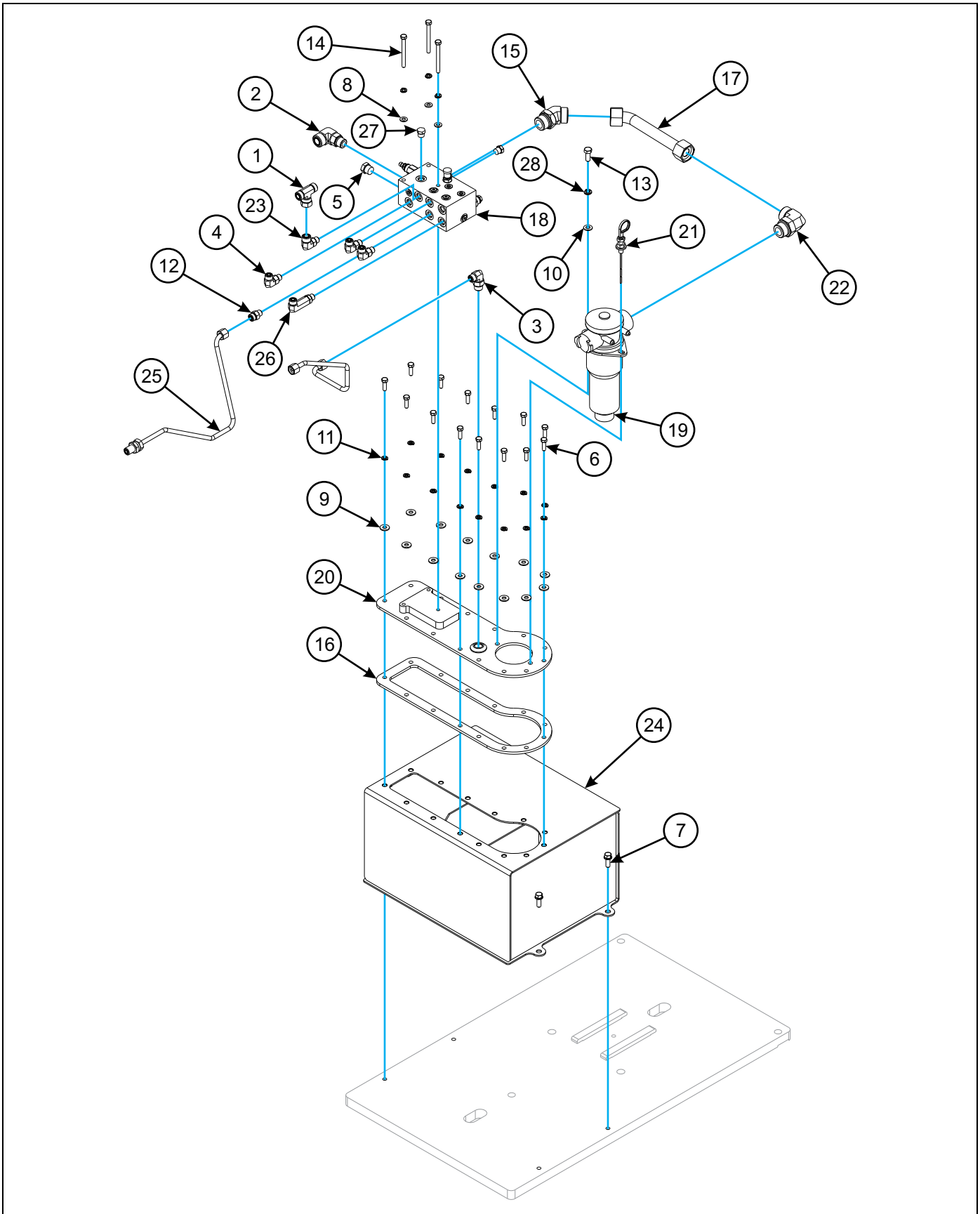


Figure 1-36: Hydraulic Tank Installation

## Hydraulic Tank Installation

ITEM	PART NUMBER	DESCRIPTION	QTY.
1	0018117	FITTING RETURN LINE MCV TEE	1
2	0018119	ADAPTER P-STEER PUMP SUCTION	1
3	0018120	ADAPTER P-STEER PUMP PRESSURE	1
4	0018136	ADAPTER P-STEER RELIEF PRESS	3
5	1-007-010025	PLUG, 3/4-16 O-RING BOSS	1
6	1-654-010049-05	SCREW HX CP 5/16-18UNCX1 GR5	14
7	1-655-010003-05	SCREW,FLANGE HD 3/8-16X1 GR8	4
8	1-861-010032-08	WASHER,FLAT 5/16 ZP	3
9	1-861-010032-09	WASHER, FLAT 5/16 W ZP/CD	14
10	1-861-010032-10	WASHER, FLAT 3/8" N ZP/CD	1
11	1-861-010034-10	WASHER,LKG 5/16	17
12	104582	ADAPTER,#6 ORS X #6 ORB ST	1
13	107-0754	SCREW, HHC, M10 X 1.5 X 25	1
14	109874	SCREW,HEX CAP,5/16-18X3-1/4GR	3
15	123909	ADAPTER,#16ORSX#16ORB,45 ELB	1
16	128305	GASKET,B40DM-4 HYD TANK COV	1
17	129421	TUBE,VALVE BODY TO FILTER	1
18	129608	VALVE, SER 5 STEERING CONTROL (SEE PAGE 1-63)	1
19	129635	FILTER,IN-TANK,NON-VENT,44GPM (SEE PAGE 1-62)	1
20	129677	COVER WLDMT,SER4 HYD TANK	1
21	130149	DIPSTICK,SER 4 HYD TANK	1
22	130595	ADAPTER,#16ORSX#16ORB,90 ELB	1
23	131808	FITTING,90 8-6 ORF TO ORB	1
24	145729	TANK WLDMT, B3-4 HYDRAULIC	1
25	145738	TUBE, B3-4 VLV BDY M2 TO BLKHD	1
26	156301	ADAPTER, #6ORFS X #6ORB 90L	1
27	900598-6S	PLUG O-RING 9/16-18 AEROQUIP	2
28	M10SLW ZP	WASHER,SPLIT LK METRIC 10MMZP	1

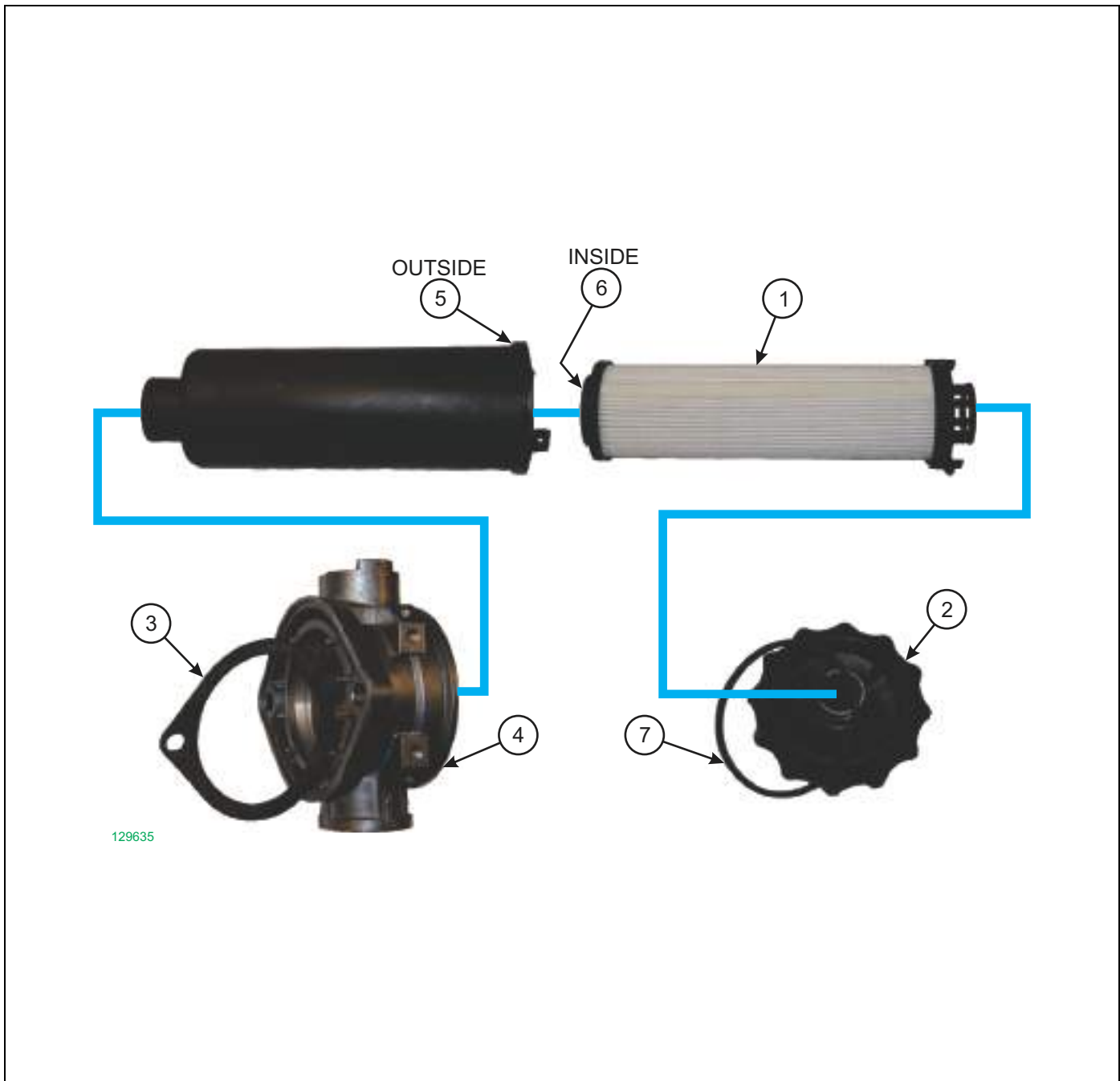
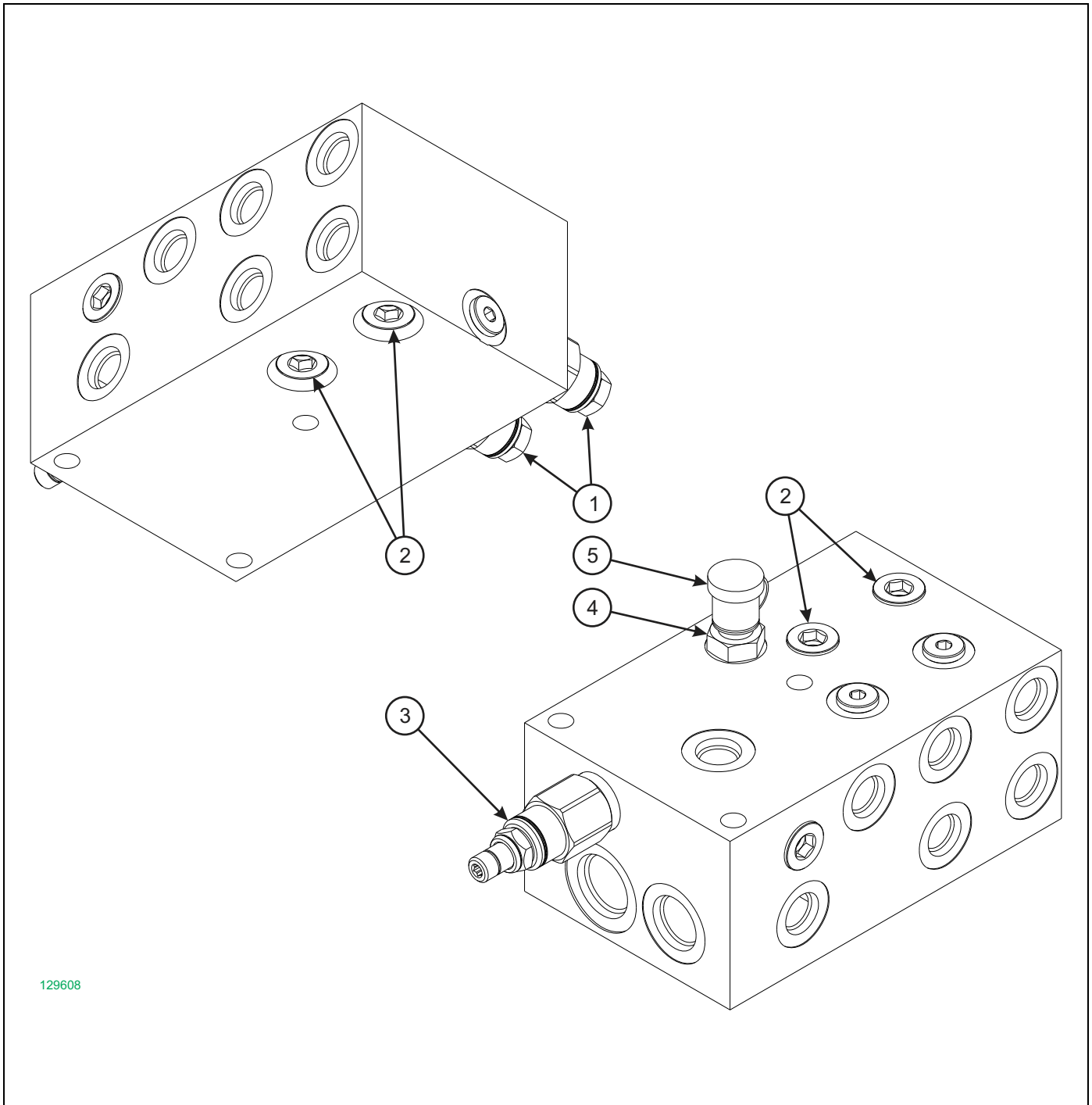


Figure 1-37: In-Tank Filter Assembly

## In-Tank Filter Assembly

ITEM	PART NUMBER	DESCRIPTION	QTY.
	129635	FILTER,IN-TANK,NON-VENT,44GPM	
1	112876	REPLACEMENT FILTER ELEMENT	1
2	149560	LID	1
3	149562	GASKET	1
4	151507	SEAL COVER PLATE 84X3.4X3-NBR	1
5	149561	O-RING 71.12X2.62	1
6	168584	O-RING 34X3.5-NBR-70	1
7	149563	SEAL KIT (ALSO INCLUDES ITEMS 3, 5, AND 6)	REF





129608

Figure 1-38: Steering Control Valve Assembly

## Steering Control Valve Assembly

ITEM	PART NUMBER	DESCRIPTION	QTY.
	129608	VALVE, SER 5 STEERING CONTROL	
1	131827	COUNTERBALANCE VALVE CART	2
2	131828	CHECK VALVE	5
3	131829	DIRECT ACTING RELIEF VALVE	1
4	PD341	NIPPLE	1
5	0018149	PORT DUST COVER	1

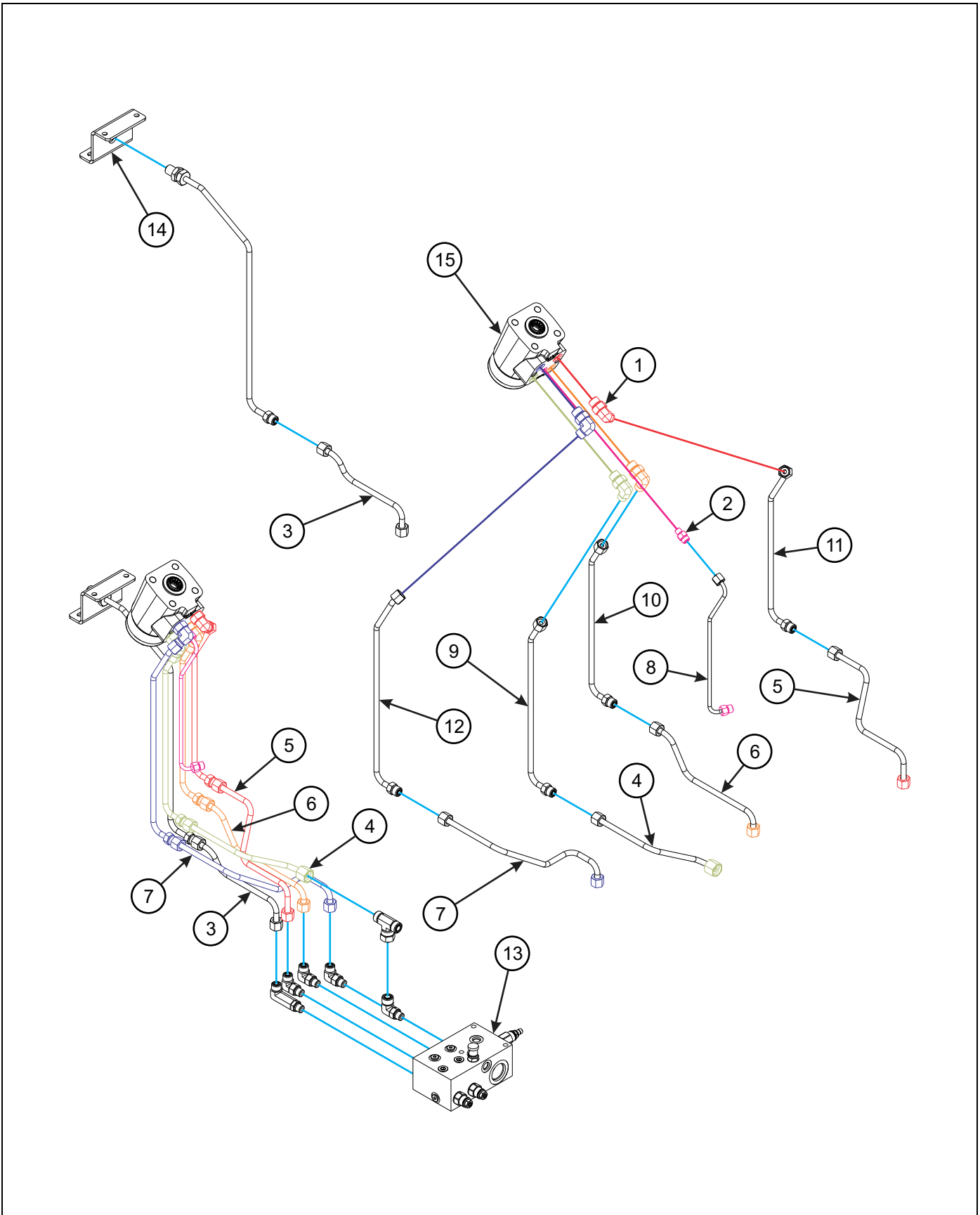
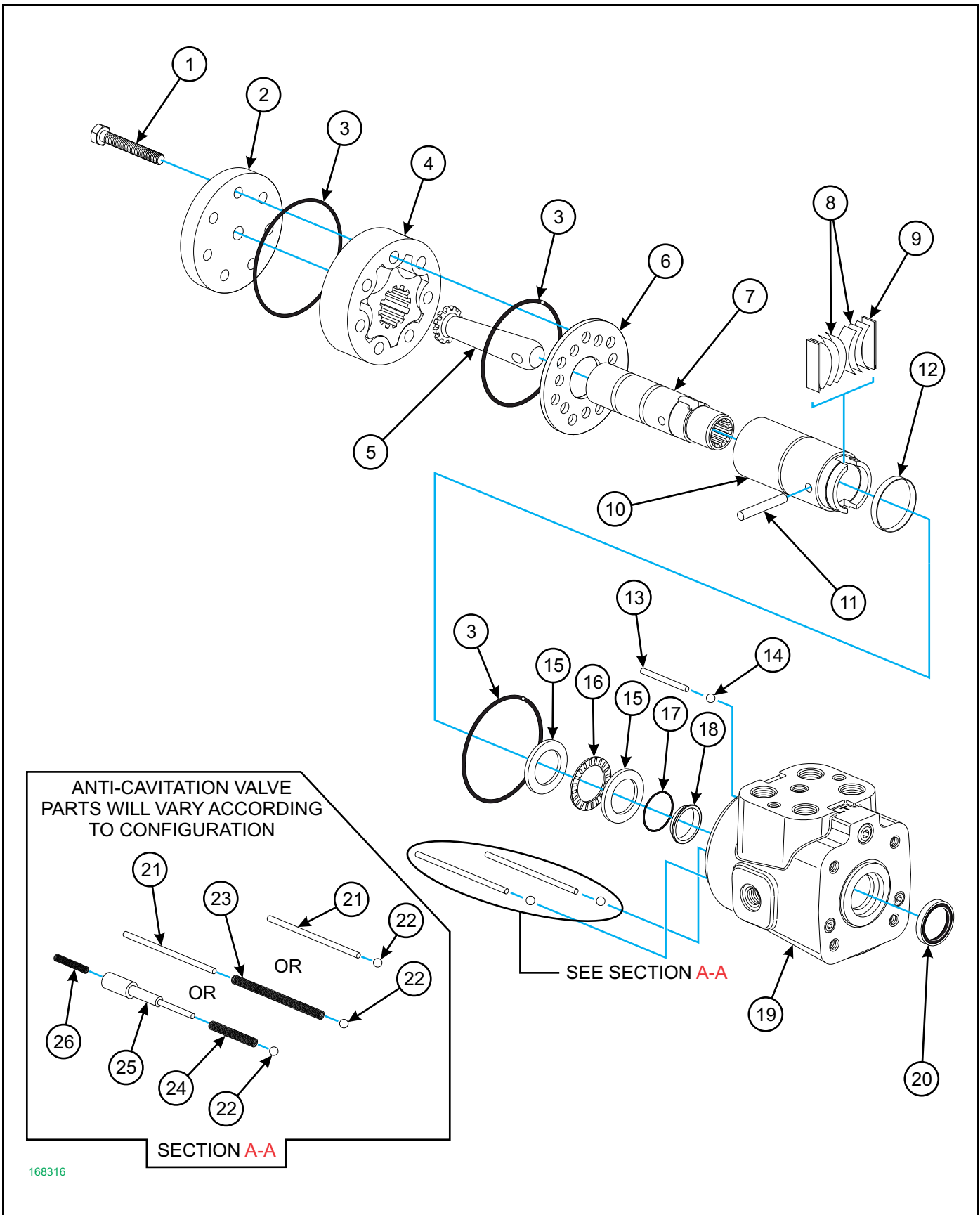


Figure 1-39: Steering Hydraulics

## Steering Hydraulics

ITEM	PART NUMBER	DESCRIPTION	QTY.
1	0018120	ADAPTER P-STEER PUMP PRESSURE	4
2	0018160	ADAPTER WHITE CASE DRAIN	1
3	145743	TUBE, B3-4 ACTR P2 TO VALVE M1	1
4	145744	TUBE, B3-4 VLV P1 TO ORB PRESS	1
5	145745	TUBE, B3-4 VLV V1 TO ORBTL RH	1
6	145847	TUBE, B3-4 VLV V2 TO ORBTL LH	1
7	145848	TUBE, B3-4 VLV D2 TO ORBTL RH	1
8	154539	TUBE,BT/AC ORBITAL LDSEN DOWN	1
9	162580	TUBE, BTAC ORBITAL PRESS DOWN	1
10	162581	TUBE, BTAC ORBITAL LH DOWN	1
11	162582	TUBE, BTAC ORBITAL RH DOWN	1
12	162583	TUBE,BTAC ORBITAL RETURN DOWN	1
13	129608	VALVE, SER 5 STEERING CONTROL ( <b>SEE PAGE 1-63</b> )	1
14	145740	BRACKET, B3-4 STRG BLKHED/HORN	1
15	168316	ORBITAL, B3 ACTR LOAD SENSING	1

**ILLUSTRATED PARTS LIST**



**Figure 1-40: Steering Orbital Assembly**

## Steering Orbital Assembly

ITEM	PART NUMBER	DESCRIPTION	QTY.
	168316		
1		CAP SCREW, HEX HEAD	7
2		CAP, END	1
3		SEAL, 72.6MM [2.86 IN.] ID	3
4		GEROTOR, SUB-ASSEMBLY	1
5		DRIVE	1
6		PLATE, SPACER	1
7		CONTROL SPOOL	1
8		SPRING, CENTERING	6
9		SPRING, SPACER	2
10		CONTROL SLEEVE	1
11		PIN, CENTERING	1
12		RETAINER SPRING	1
13		PIN, ROLL- 34.92 MM [.98 IN.] ID	1
14		BALL- 6.35 MM [.25 IN.] OD	1
15		BEARING RACE	2
16		BEARING, NEEDLE THRUST	1
17		O-RING	1
18		SEAL- 24.9 MM [.98 IN.] ID	1
19		HOUSING, VALVE	1
20		DUST SEAL	1
21		PIN, ROLL- 40.00 MM [1.575 IN.] LENGTH	2
22		BALL, CHECK- 6.35 MM [.25 IN.] OD	2
23		COMPRESSION SPRING	2
24		COMPRESSION SPRING	2
25		ANTI-CAV PLUG RETAINER	2
26		COMPRESSION SPRING	2
27	129909	SEAL KIT,STEERING CONTROL UNT (INCLUDES ITEMS 3, 17, 18, AND 20)	REF

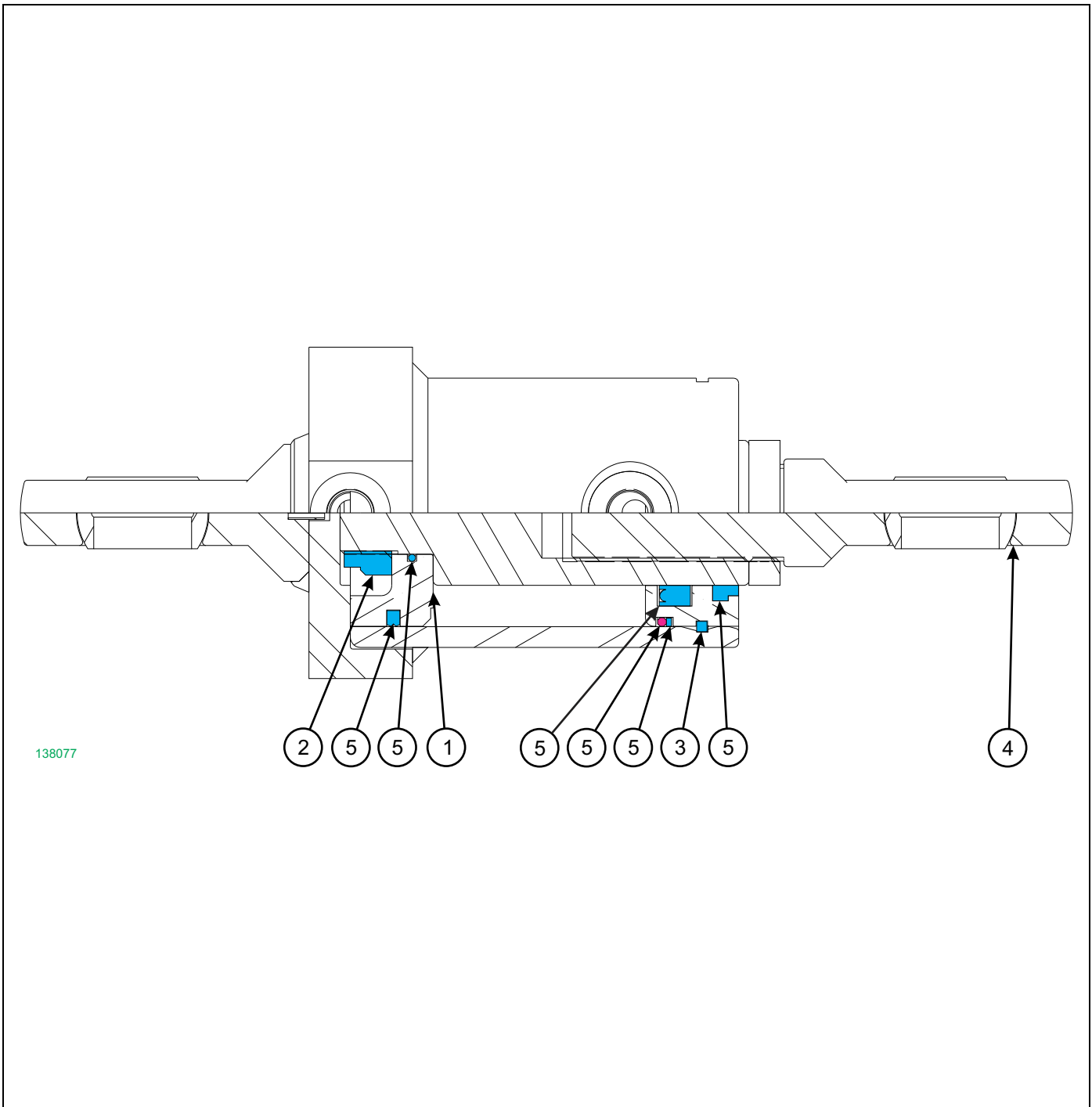


Figure 1-41: Tilt Cylinder

## Tilt Cylinder

ITEM	PART NUMBER	DESCRIPTION	QTY.
	138077	CYLINDER, BT-HLFT TILT	
1	151201	2-3/4 PISTON 1" SHAFT	1
2	151202	1" LOCK JAM NUT	1
3	151203	1/8" KEYSTOCK	1
4	151204	BEARING	2
5	150753	KIT, 138077 COL HYD REPAIR	REF

## Mast and Front Rotation

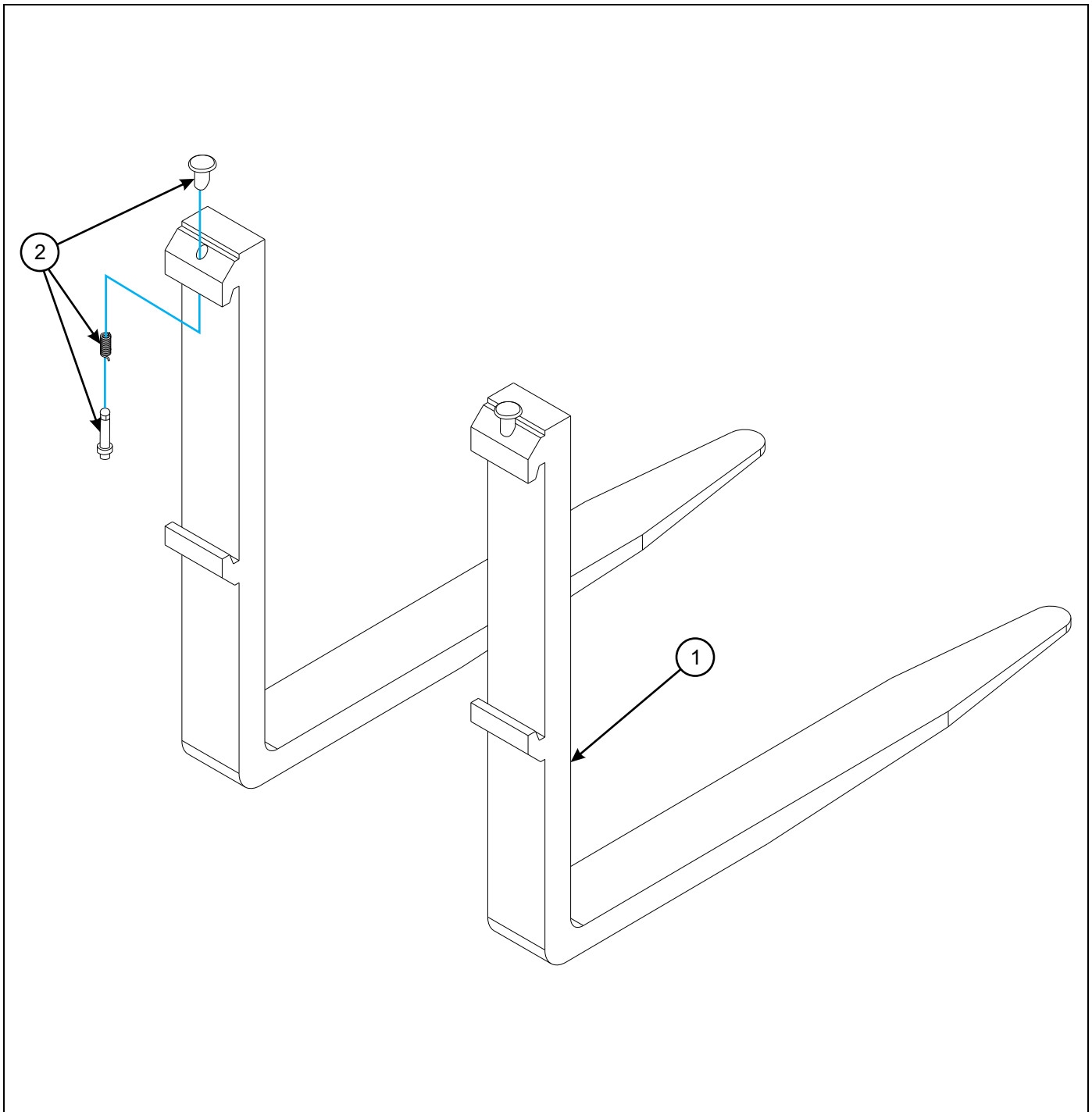


Figure 1-42: Forks

### Forks

ITEM	PART NUMBER	DESCRIPTION	QTY.
1	127644	FORK, 36" 12" DROP ,BN	2
1	131519	FORK,40" CL2 12-IN DROP,BN	2
1	131520	FORK,42" CL2 12-IN DROP,BN	2
2	112643	PIN KIT KENHAR FORKS	REF

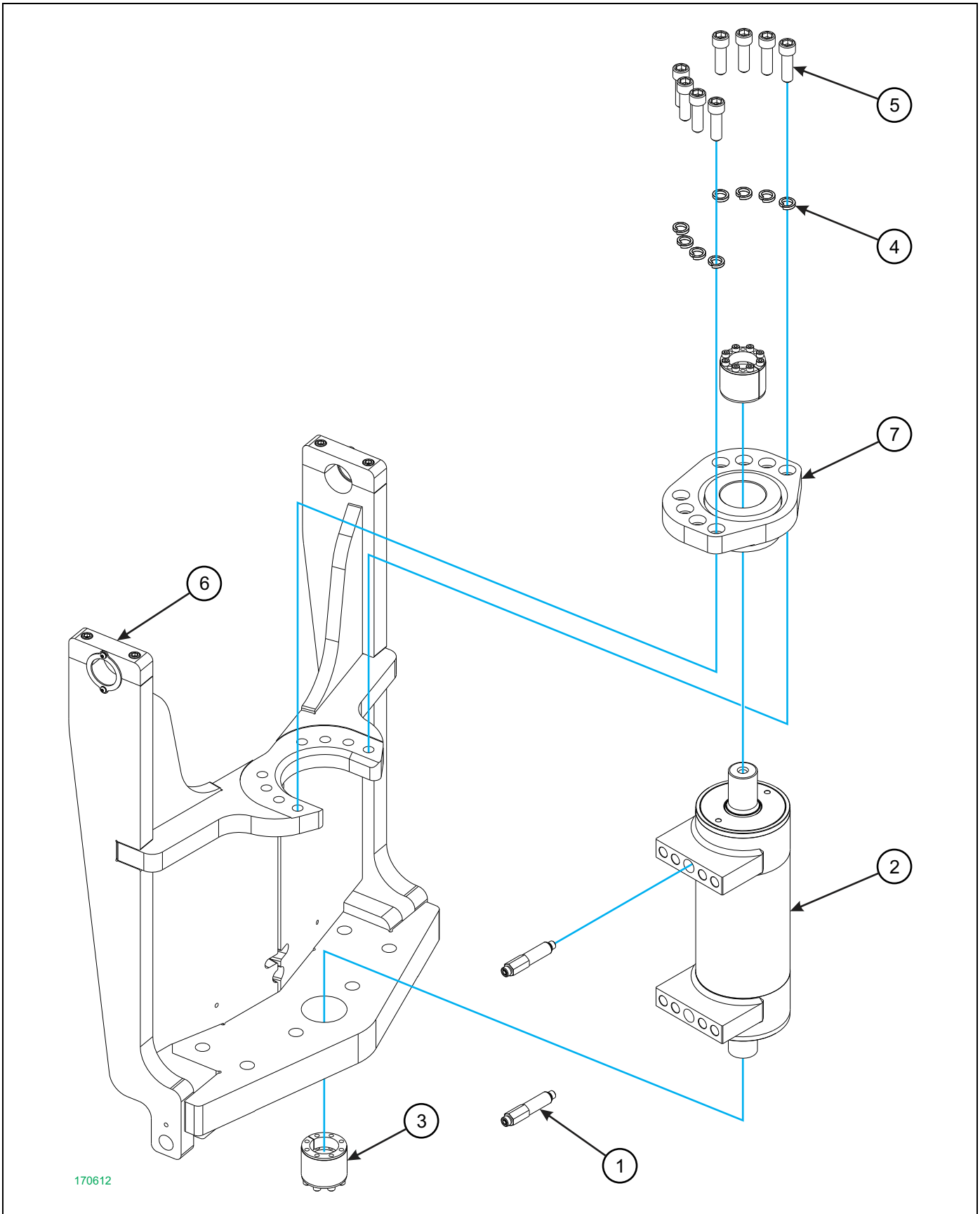


Figure 1-43: Front Plate Assembly



## Front Plate Assembly

ITEM	PART NUMBER	DESCRIPTION	QTY.
	170612	FRONT PLATE ASSY, B3-4 HELAC	
1	157521	ADAPTER,6 ORBX 6ORS LONG ACTR	2
2	168312	ACTUATOR HELAC B3 STEERING	1
3	168318	CONNECTION RINGFEDER 2X3.150	2
4	169067	WASHER 3/4 HI-COLLAR LOCK ZP	8
5	169337	SCREW 4XSKT 3/4-16UNFX2.50 ZP	8
6	170597	FRONT END WLDMT, B3-4 ACTR	1
7	170611	MOUNT WLDMT, B3-4 UPR ACTR	1

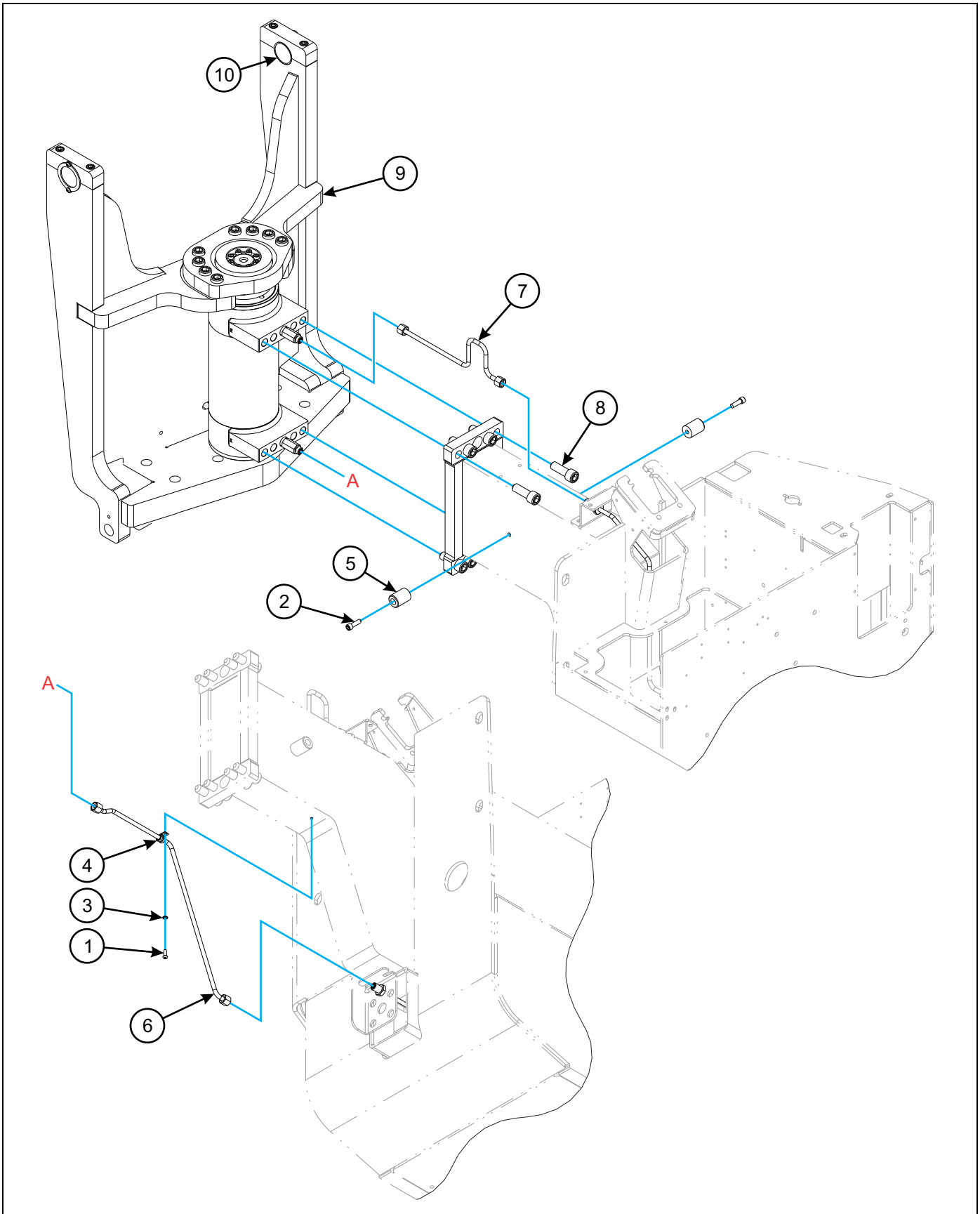


Figure 1-44: Front Plate Installation

---

## Front Plate Installation

ITEM	PART NUMBER	DESCRIPTION	QTY.
1	106955	SCREW,BHSC 1/4-20UNCX3/4	1
2	108337	SCREW HX SKT3/8-16X1-1/4	2
3	108797	WASHER 1/4 LKG INT TOOTH	1
4	125892	CLAMP, CABLE 3/8 SST	1
5	145741	STOP, B3-4 FRT ROTATION	2
6	145849	TUBE, B3-4 ACTR P1 TO BLKHD	1
7	145850	TUBE, B3-4 ACTR P2 TO BLKHD	1
8	169336	SCREW 4XSKT 3/4-16UNFX2.25 ZP	8
9	170612	FRONT PLATE ASSY, B3-4 HELAC <b>(SEE PAGE 1-70)</b>	1
10	146386	BUSHING, B3 MAST MOUNT	2

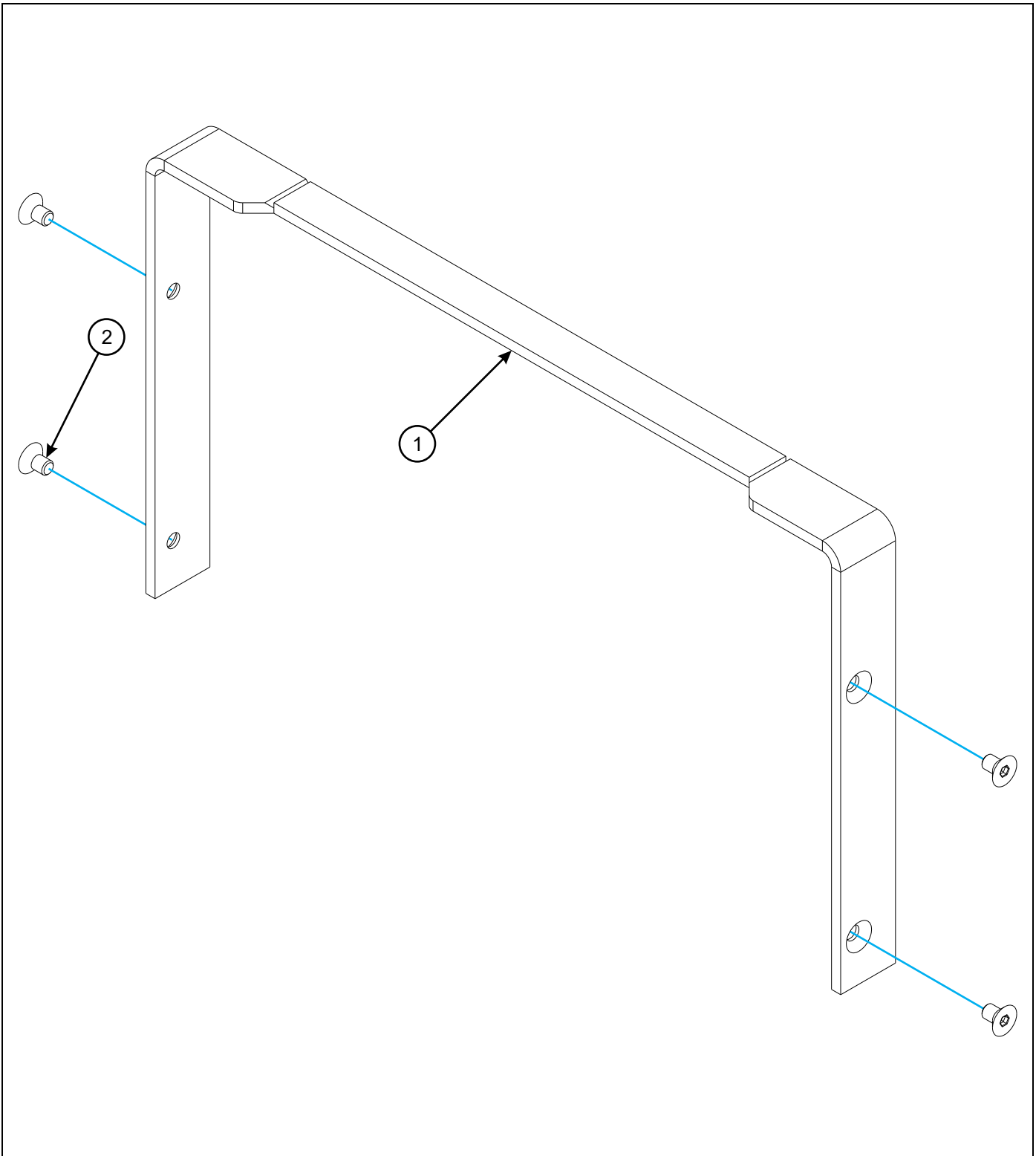


Figure 1-45: Load Backrest

## Load Backrest

ITEM	PART NUMBER	DESCRIPTION	QTY.
1	146291	LOAD BACKREST WLDMT, B3 (INCLUDES ITEM 2)	1
2	118180	SCREW FLAT CTSK 16MM-2.0X25MM	4



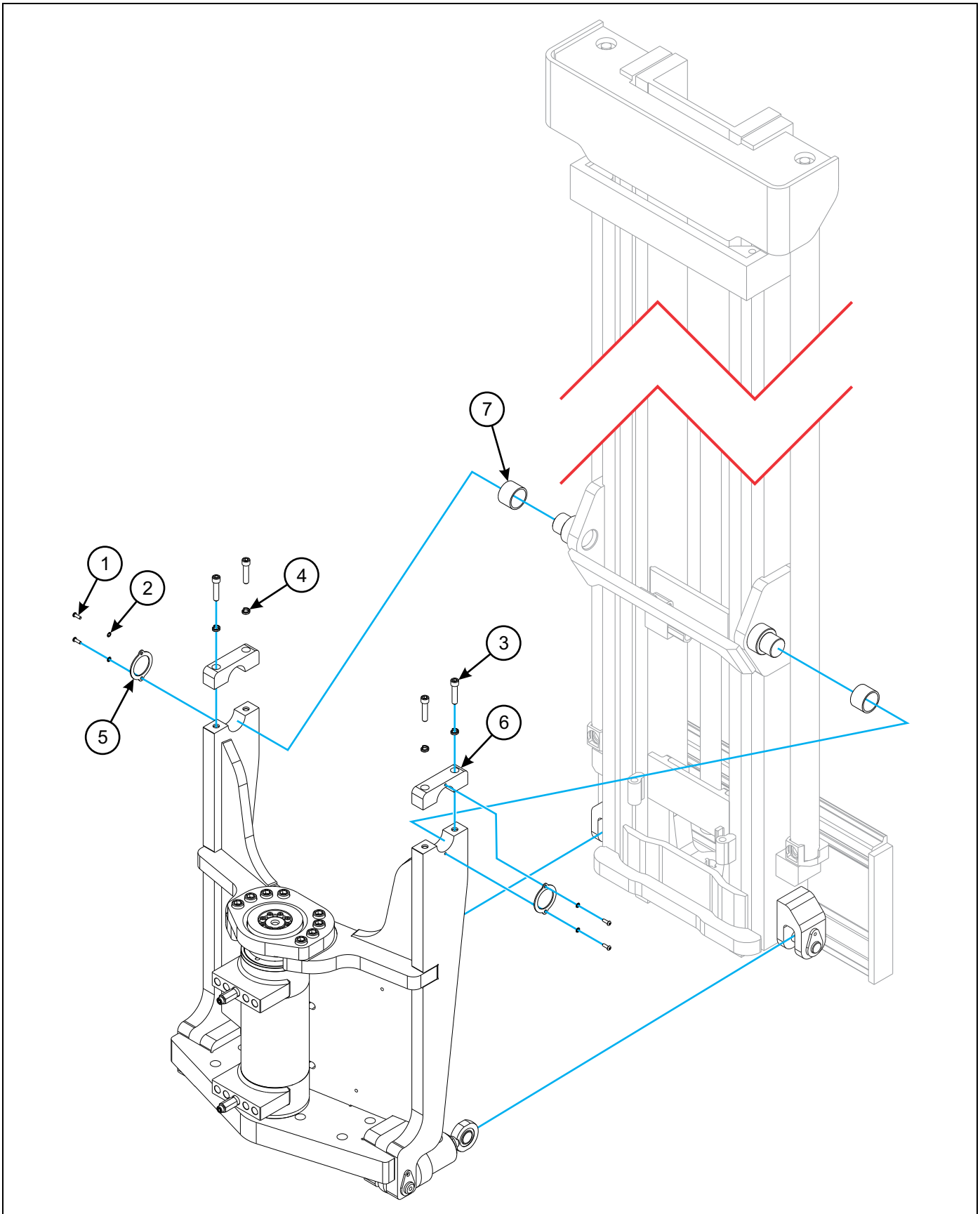


Figure 1-46: Mast Installation

## Mast Installation

ITEM	PART NUMBER	DESCRIPTION	QTY.
1	106955	SCREW,BHSC 1/4-20UNCX3/4	4
2	108797	WASHER 1/4 LKG INT TOOTH	4
3	123763	SCREW HEX SCKT 1/2-13X2-1/4	4
4	128174	LOCKWASHER 1/2 HIGH COLLARPLN	4
5	138749	RETAINER,BI-FWD MAST BUSHING	2
6	143516	PLATE,FRT END CAP B3-2	2
7	146386	BUSHING, B3 MAST MOUNT	2

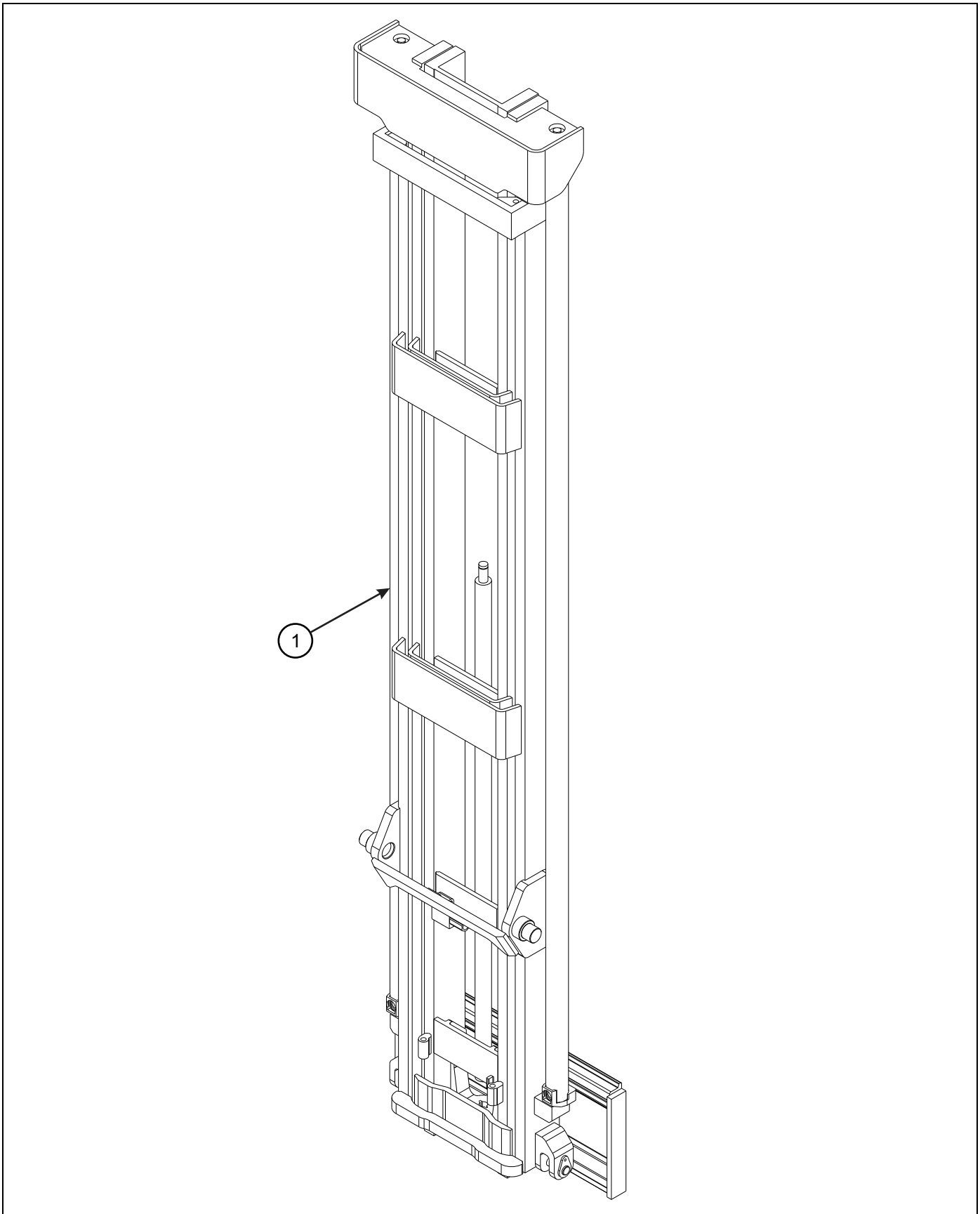


Figure 1-47: Mast



## Mast

ITEM	PART NUMBER	DESCRIPTION	QTY.
1	146259	MAST,40TD-MT 92/156,6R 37 ISS	1
1	146260	MAST,40TD-MT108/204,6R 37 ISS	1
1	146261	MAST,40TD-MT133/250,6R 37 ISS	1
1	146262	MAST,40TD-MT147/288,6R 37 ISS	1
1	146263	MAST,40TD-MT174/360,6R 37 ISS	1
1	146364	MAST,40TD-MT108/204,6R,CS,1SS	1
1	149416	MAST,40TD-MT155/312,6R 37 ISS	1
1	150494	MAST,40TD-MT151/300,6R 37 ISS	1
1	153238	MAST,40TD-MT118/222,6R 37 ISS	1
1	153309	MAST,40TD-MT141/272,6R 37ISS	1
1	159642	MAST,40TD-MT 110/208,6R 37ISSp	1
1	161318	MAST,40TDMT108/204,637,ISS,IF	1
1	162667	MAST,40TD,118/222,637,ISS,DR n	1
1	167015	MST,40TDMT,174/360,637,ISS,DR	1
1	167495	MAST,40TD-MT120/222,6R 37 ISS	1
1	167496	MAST,40TD-MT139/250,6R 37 ISS	1
1	167497	MAST,40TD-MT154/272,6R 37 ISS	1
1	167498	MAST,40TD-MT161/288,6R 37 ISS	1
1	167499	MAST,40TD-MT178/312,6R 37 ISS	1
1	167500	MAST,40TD-MT199/360,6R 37 ISS	1
1	168303	MAST,40TD-MT141/272,646 ISS	1
1	169051	MAST,40TD-MT133/250,637,ISSFP	1
1	171561	MAST,40TDMT178/312,637,ISS,CR	1

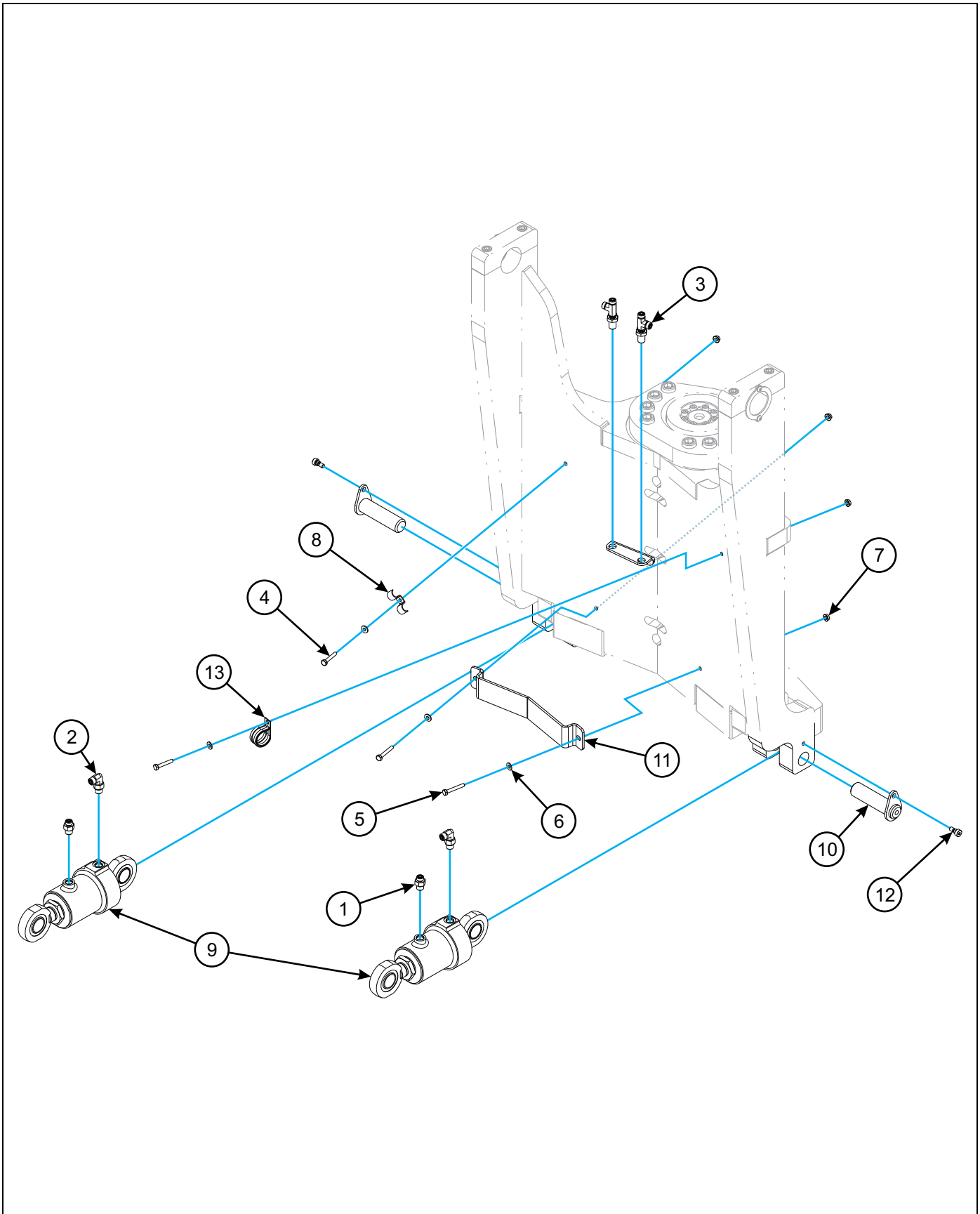


Figure 1-48: Tilt Cylinder Installation

## Tilt Cylinder Installation

ITEM	PART NUMBER	DESCRIPTION	QTY.
1	0018108	ADAPTER VALVE REAR TILT	2
2	0018109	ADAPTER VALVE FOREWARD TILT	2
3	0018126	FITTING BULKHEAD TEE TILTS	2
4	1-654-010047-08	SCREW HX CP,1/4-20UNCX1-1/2G5	2
5	1-654-010047-09	SCREW,HX CP,1/4-20UNCX1-3/4G5	2
6	1-861-010032-06	WASHER, FLAT 1/4 N ZP/CD	4
7	108417	NUT SPIRAL 1/4-20HX FG	4
8	109099	CLAMP, 5/8 DOUBLE TUBE	1
9	138077	CYLINDER, BT-HLFT TILT <b>(SEE PAGE 1-68)</b>	2
10	144587	PIN,TILT CYL WLDMT, B3 MAST	2
11	167443	WEB BOL FRT OTR RH 835-CON	1
12	169760	SCREW HEX SHLDR 3/8 X 1/4	2
13	239-9076-009	CLAMP, HOSE 1-1/4,LOOM	1

# Operator's Compartment

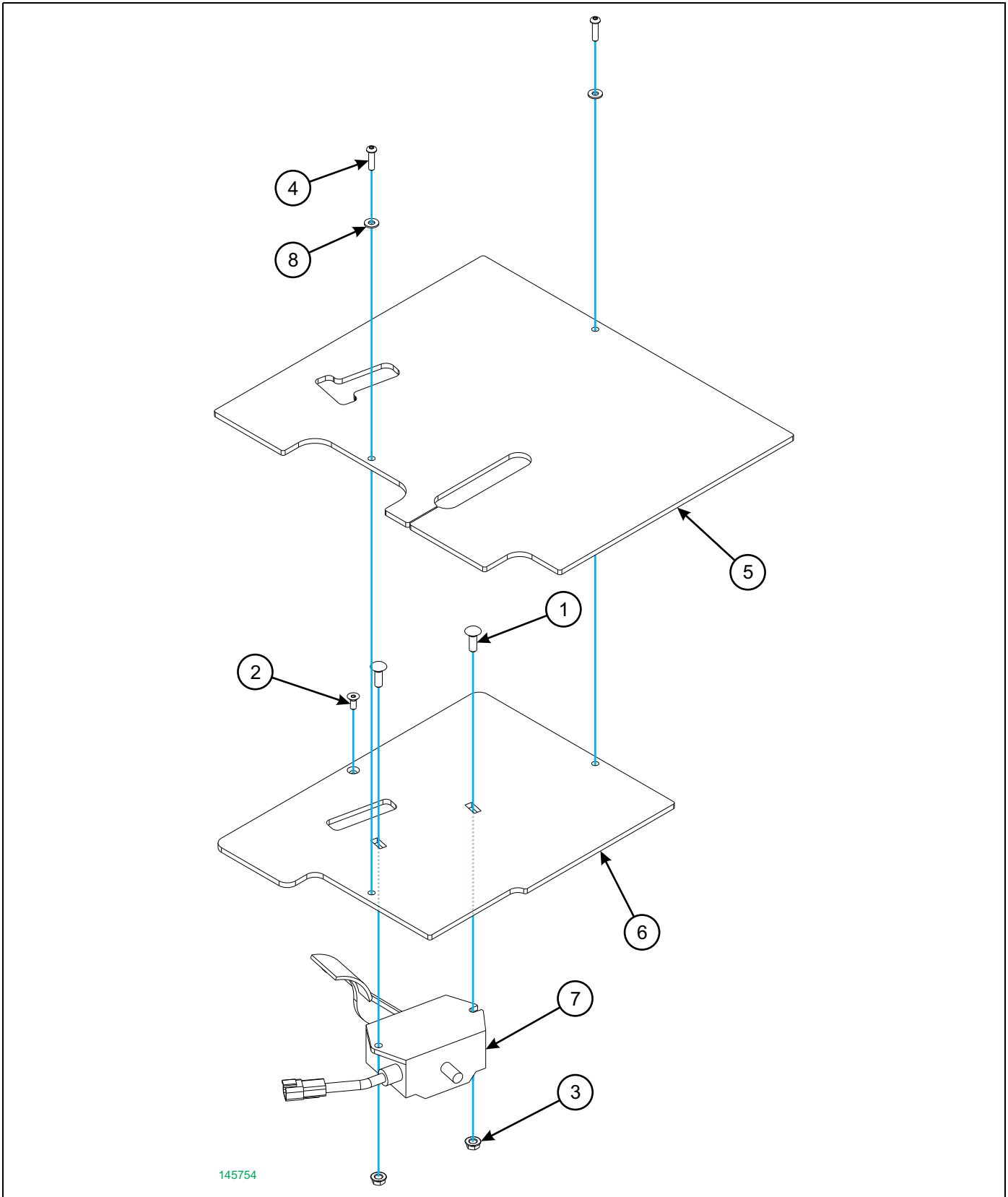


Figure 1-49: Accelerator Assembly

## Accelerator Assembly

ITEM	PART NUMBER	DESCRIPTION	QTY.
	145754	ACLTR ASSY, B3-4	
1	104031	SCREW,RDHD,SQNK 5/16-18X1 GR5	2
2	127356	SCREW HXSKT CTSK1/4-20UNCX5/8	1
3	1-510-010004-03	NUT HX FLANGE, 5/16-18 GR8	2
4	108610	SCREW BHSC 1/4-20UNCX1	2
5	145751	MAT, B3-4 FLOOR	1
6	145753	PLATE, B3-4 RH FLOOR	1
7	151471	ACCEL,CURTIS FP6 W/ PLUG	1
8	1-861-010032-06	WASHER, FLAT 1/4 N ZP/CD	2



## Control Levers Installation

ITEM	PART NUMBER	DESCRIPTION	QTY.
1	1-512-010004-05	NUT HEX 1/4-20 SELF-LK, GRA	6
2	1-512-010005-03	NUT HEX SLFLKG GRB 5/16-18	2
3	1-654-010049-06	SCREW, H/CAP, 5/16-18UNCX1-1/4	2
4	1-861-010032-08	WASHER, FLAT 5/16 ZP	2
5	1-861-010032-18	WASHER, FLAT 5/8 N ZP/CD	2
6	101967	NUT, HEX JAM M10X1.5 GR2 ZP	3
7	107199	KNOB, TAPERED BLACK	3
8	110-2760	BOLT, CARRIAGE 1/4-20X3/4	6
9	114067	PIN, 1/16X1/2 COTTER	3
10	119547	RING, RETAINING, EXT, E, 3/8	6
11	119548	RING, RETAINING, EXT, E, 5/8	2
12	121421	CONTROL VALVE TILT ROD	1
13	121571	LEVER, CNTL LIFT/SIDE SHIFT	2
14	151409	PIN, BT/AC HYD LEVER PIVOT	1
15	151412	WASHER, BT/AC OTR HYD LVR SPCR	2
16	153235	BEARING, BT/AC VALVE LEVER	6
17	153253	BEARING, BT/AC VALVE LINK	3
18	153303	BEARING, BT/AC VALVE LK THRUST	3
19	153457	WASHER, BT/AC INR HYD LVR SPCR	2
20	153458	BLOCK, BT/AC HYD LVR ROCKER	3
21	153467	LINK, BT/AC HUSCO VLV LEVER	3
22	153496	PIN, BT/AC UPR VALVE LINK	3
23	154004	VALVE, 3SPL HUSCO AX30454-180 <b>(SEE PAGE 1-56)</b>	1
24	160417	PIN, 3/16 X 5/8 CLEVIS ZP	3
25	160520	PLATE, LINKAGE LWR LSC	3

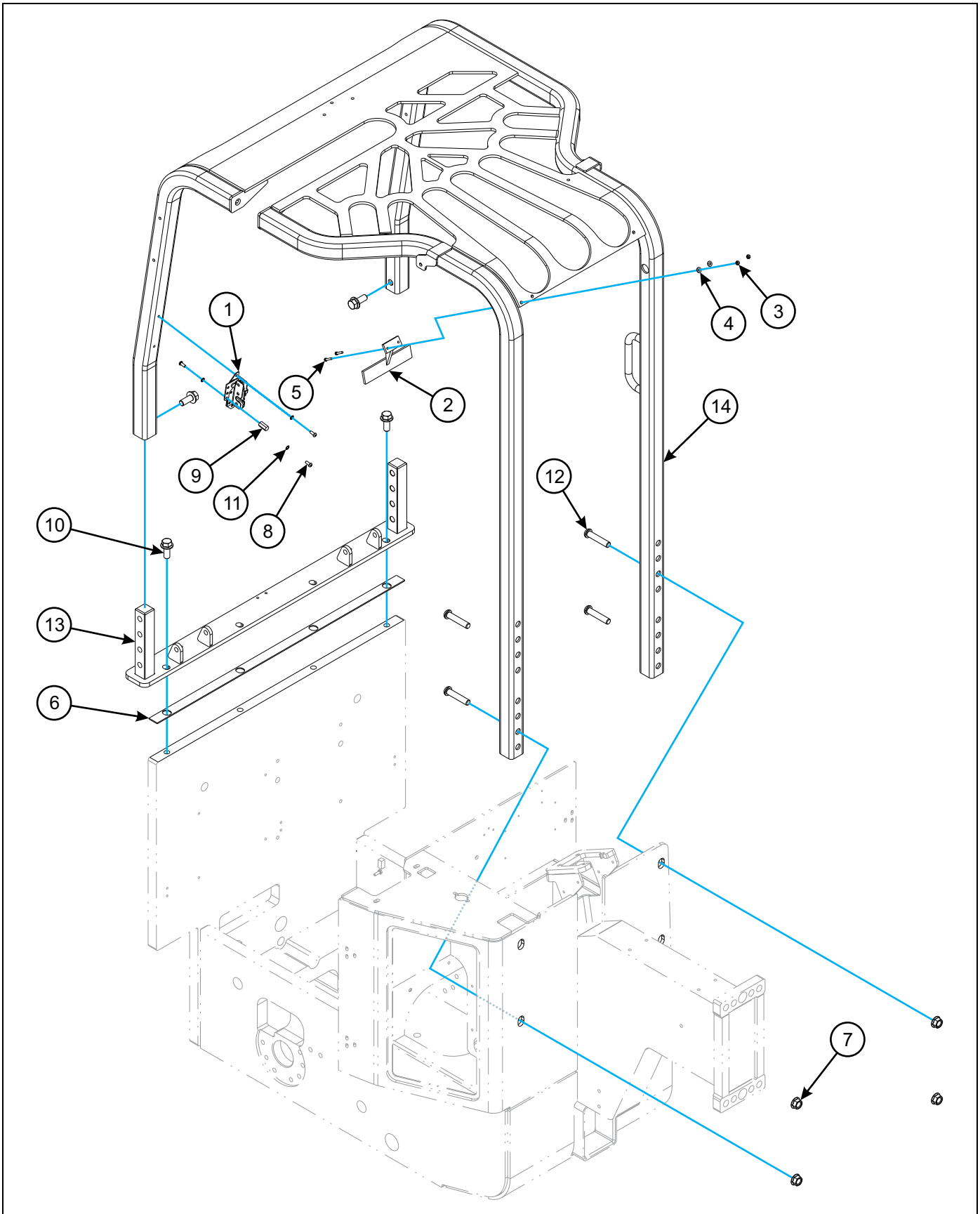


Figure 1-51: Overhead Guard Installation



---

## Overhead Guard Installation

---

ITEM	PART NUMBER	DESCRIPTION	QTY.
1	0010931	LATCH, COVER HOLD-UP	1
2	0011269	MIRROR REAR VIEW	1
3	1-512-010003-05	NUT HEX SLFLKG W/NYL 10-32	2
4	1-861-010032-04	WASHER,FLAT 3/16 ZP	2
5	10-32X1	SCREW MACH HEX SLOT HEAD STL	2
6	101909	SHIM, BT SERIES III OHG	1
7	106534	NUT,HEX FLG 5/8-11,GR8, ZP	4
8	106954	SCREW,BHSC 1/4-20UNCX5/8	3
9	107920	LATCH RELEASE KNOB	1
10	108151	SCREW 5/8-11 UNCX1-1/2 FLG HD	4
11	108797	WASHER 1/4 LKG INT TOOTH	3
12	111360	SCREW BHSC 5/8-11UNCX3	4
13	118710	BASE WLDMT, B40-4 OHG	1
14	156266	OHG WELDMENT, BT/AC	1

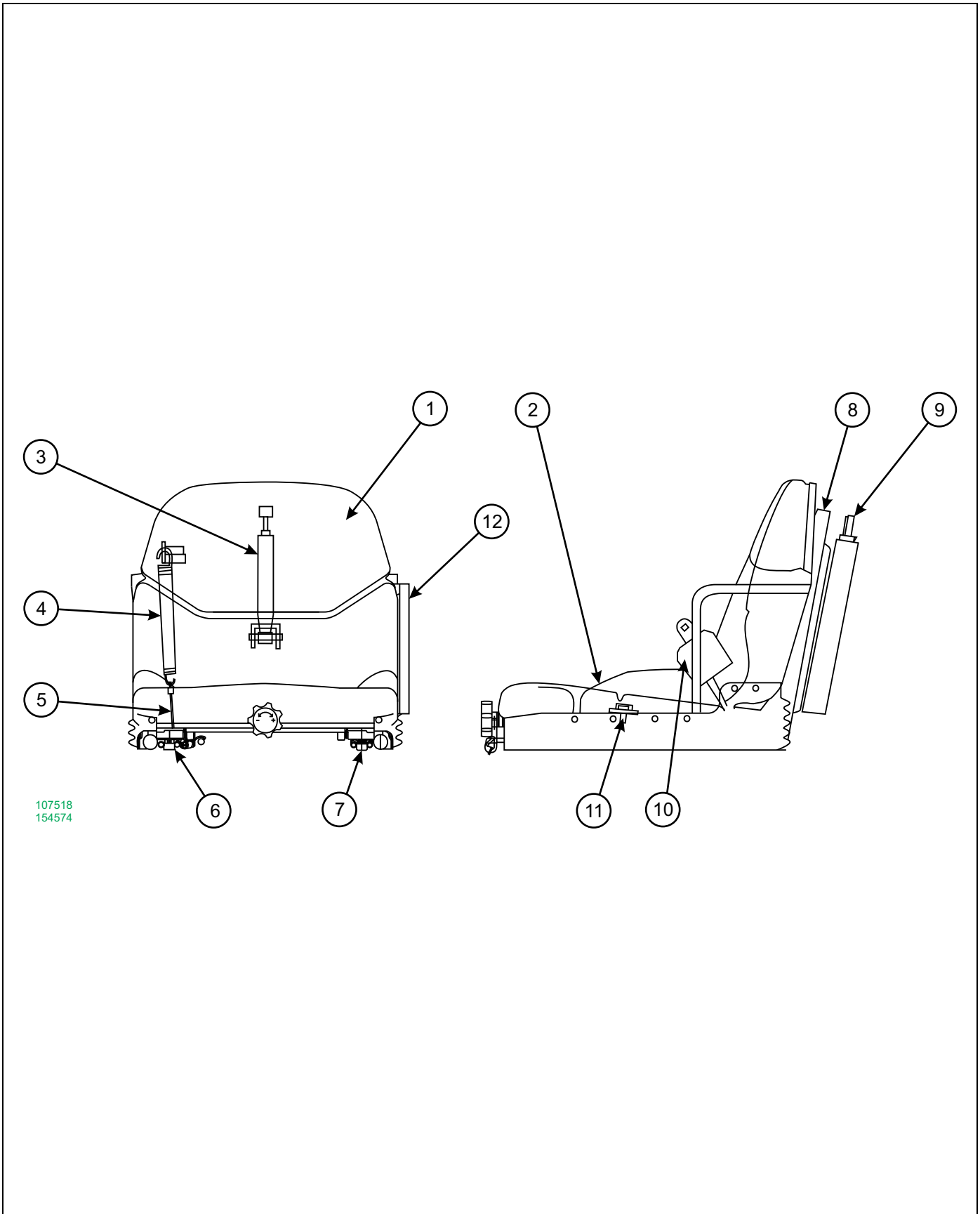


Figure 1-52: Seat Assembly, Cloth

**Seat Assembly, Cloth**

ITEM	PART NUMBER	DESCRIPTION	QTY.
	107518	SEAT,CLOTH LO-RIDER SRS	
	154574	SEAT, SEARS CLOTH BT-4.5	
1	111708	CUSHION ASSY,BACK CLOTH	1
2	111710	CUSHION ASSY,SEAT CLOTH	1
3	111712	SHOCK ABSORBER, SEAT	1
4	111713	SPRING, SEAT (S7911-000B)	2
5	111714	CABLE,SPRING ADJ	2
6	111715	SLIDE & HANDLE ASSY	1
7	111716	SLIDE, LOCKING	1
8	111717	COVER, REAR	1
9	111718	BOOK BOX, SEAT	1
10	111719	SEAT BELT (S32557)	1
11	111720	SWITCH, SEAT	1
12	120047	LH HIP RESTRAINT	1

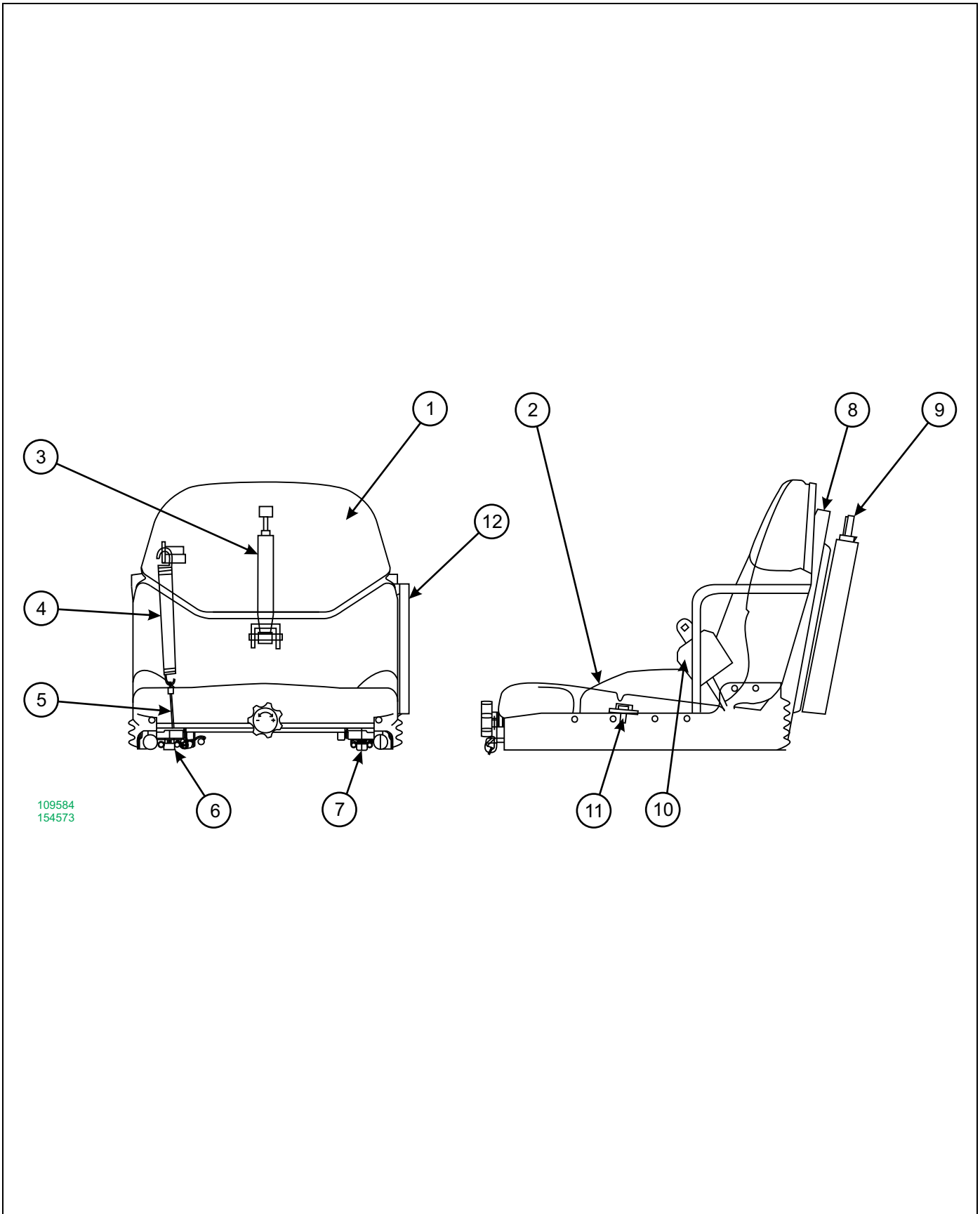


Figure 1-53: Seat Assembly, Vinyl

**Seat Assembly, Vinyl**

ITEM	PART NUMBER	DESCRIPTION	QTY.
	109584	SEAT,VINYL LO-RIDER	
	154573	SEAT, SEARS VINYL BT-4.5	
1	111709	CUSHION ASSY,BACK VINYL	1
2	111711	CUSHION ASSY,SEAT VINYL	1
3	111712	SHOCK ABSORBER, SEAT	1
4	111713	SPRING, SEAT (S7911-000B)	2
5	111714	CABLE,SPRING ADJ	2
6	111715	SLIDE & HANDLE ASSY	1
7	111716	SLIDE, LOCKING	1
8	111717	COVER, REAR	1
9	111718	BOOK BOX, SEAT	1
10	111719	SEAT BELT (S32557)	1
11	111720	SWITCH, SEAT	1
12	120047	LH HIP RESTRAINT	1

# ILLUSTRATED PARTS LIST

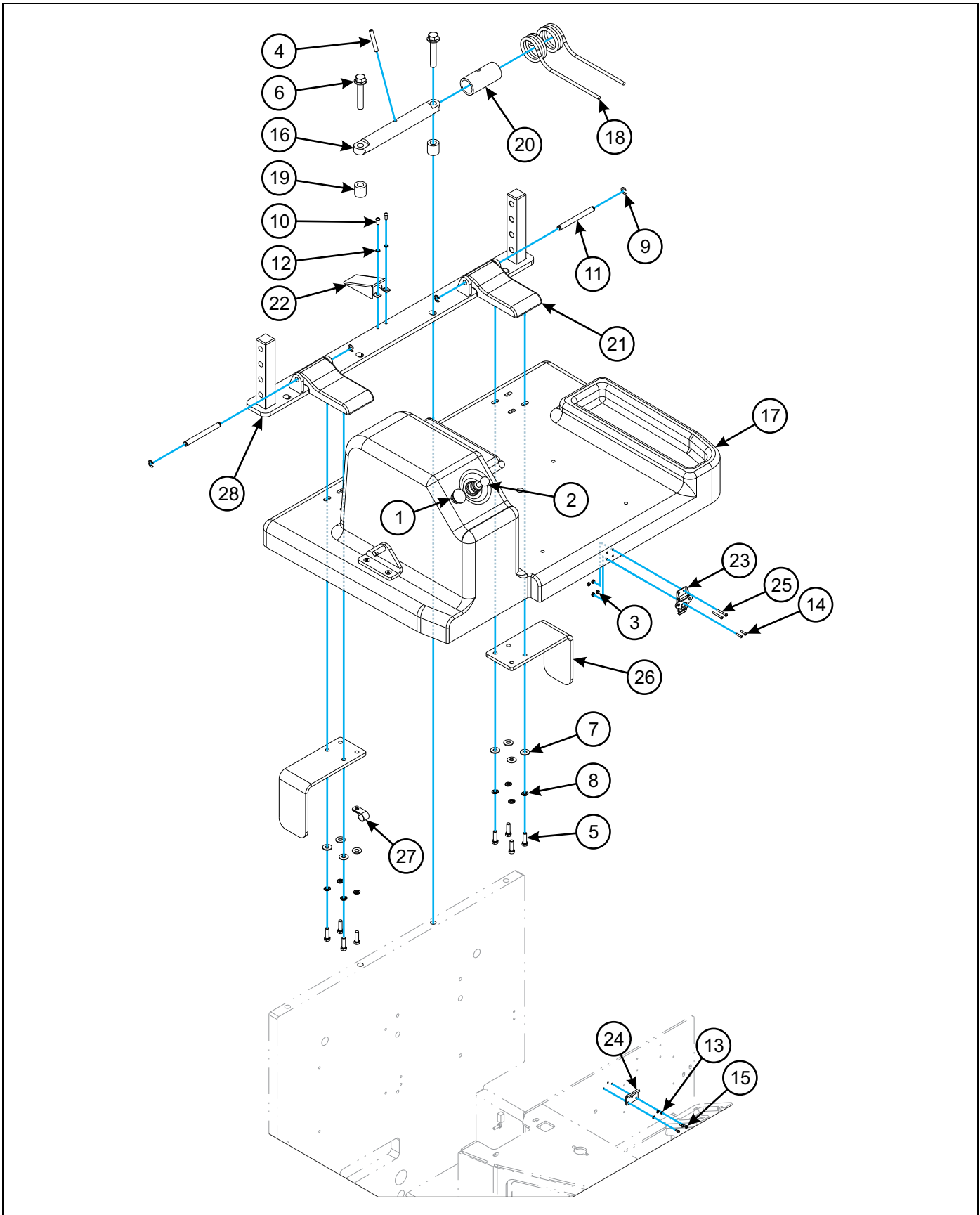


Figure 1-54: Seat Base Installation

## Seat Base Installation

ITEM	PART NUMBER	DESCRIPTION	QTY.
1	0030011	SWITCH,HORN BUTTON,BENDI 48	1
2	0030033	SWITCH F/R COLD STORAGE	1
3	1-512-010003-06	NUT,HEX,SLFLKG W/NLY 10-24	4
4	1-647-010004257	PIN,SPRING,SLOTTED 3/8X2-1/2	1
5	1-654-010051-06	SCREW,HEX CAP 3/8-16UNCX1-1/4	8
6	1-655-010002-11	SCREW FLANGE HD 5/8-11X3-1/2	2
7	1-861-010032-11	WASHER, FLAT 3/8 W ZP/CD	8
8	1-861-010034-11	WASHER, LKG HLCL SPR, 3/8	8
9	106240	RING,RETANING,EXT,E,1/2	4
10	106954	SCREW,BHSC 1/4-20UNCX5/8	2
11	107750	PIN, TOP COVER HINGE	2
12	108797	WASHER 1/4 LKG INT TOOTH	2
13	109392	WASHER,#10 LKG,INTERNAL TOOTH	3
14	109410	SCREW, BHSC #10-24UNCX314	2
15	114849	SCREW,BHSC #10-24UNCX3/8	3
16	117136	SHAFT, SEAT SPRING	1
17	120123	COVER, BATTERY B30-4	1
18	126685	SPRING, BAT COVER, TORSIONAL	1
19	127080	SPACER,B40-4 SEAT SPRING	2
20	127082	BUSHING,B40-4 SEAT SPRING	1
21	127084	HINGE,B40-4 SEAT BASE	2
22	127640	COVER, REAR CAST WIRE, BT-4	1
23	127919	LATCH, FLAT CAM, S.S.	1
24	127920	KEEPER PLATE, LATCH, S.S.	1
25	131339	SCREW,BHSC #10-24UNCX1-1/2	2
26	156356	BRACKET,HORZ BAT REST, B30AC	2
27	40-0717-02	CLAMP,HYD HOSE SUPPORT	1
28	118710	BASE WLDMT, B40-4 OHG	1

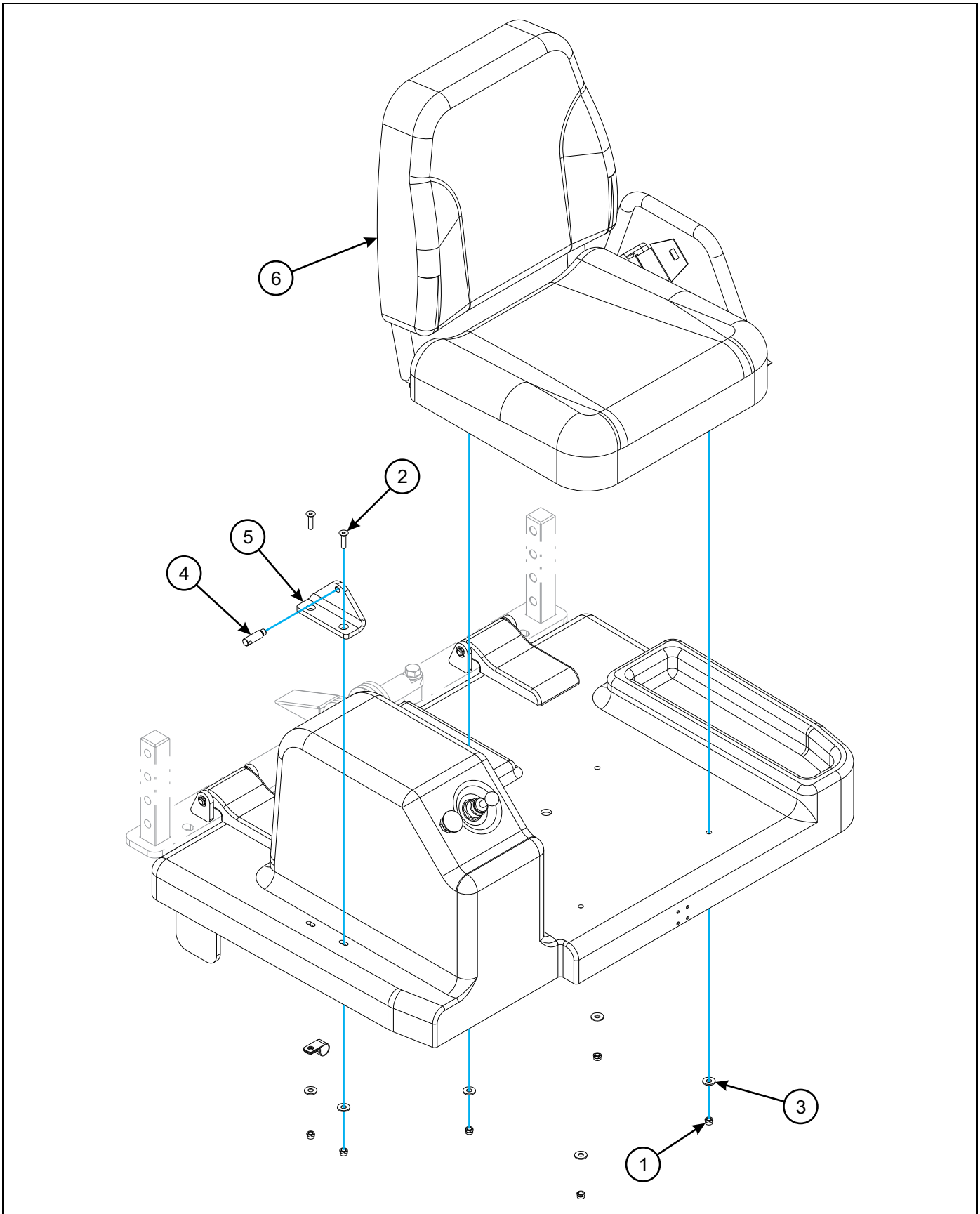
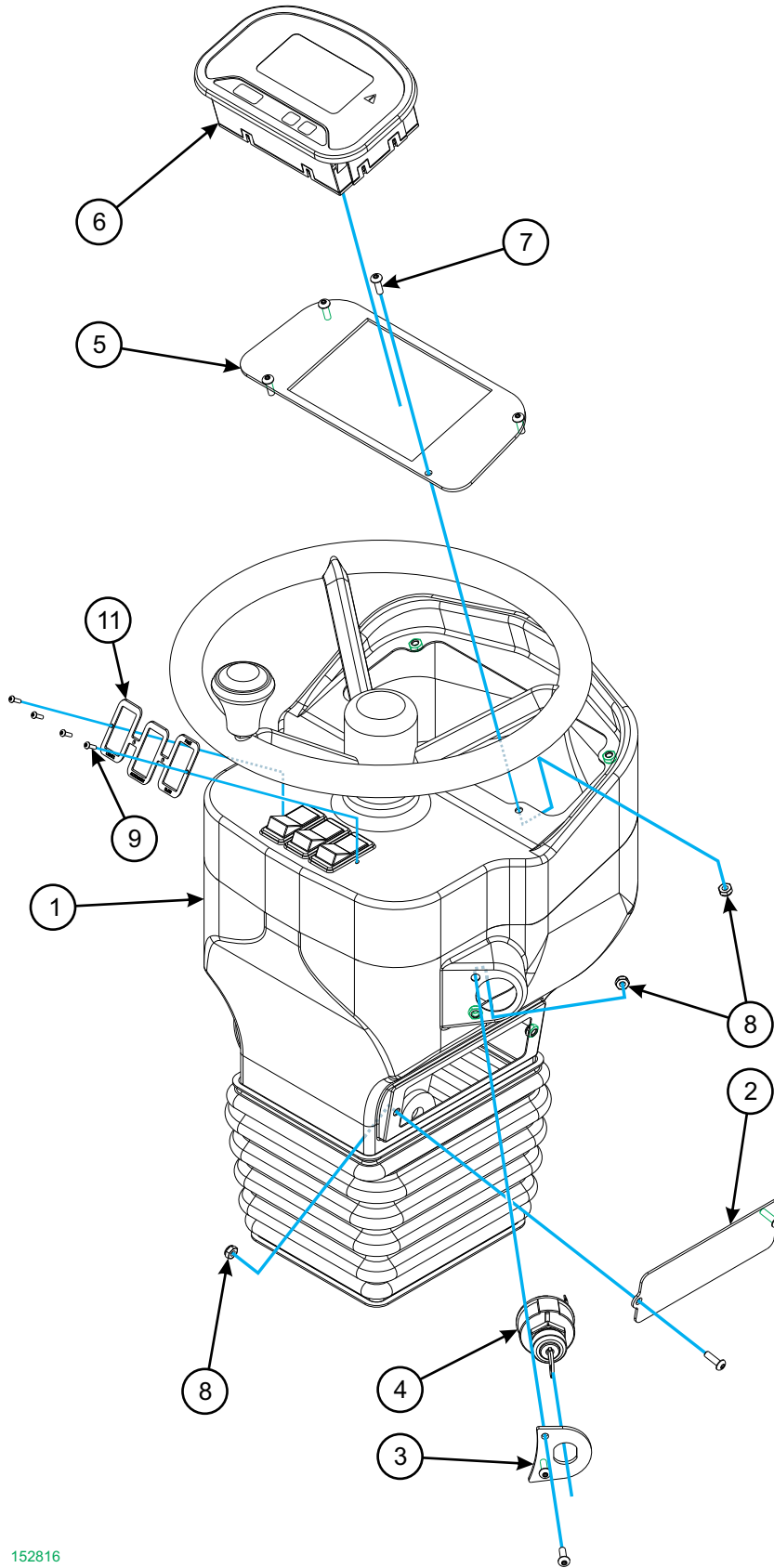


Figure 1-55: Seat Installation



## Seat Installation

ITEM	PART NUMBER	DESCRIPTION	QTY.
1	1-512-010005-03	NUT HEX SLFLKG GRB 5/16-18	6
2	1-654-010121-06	SCREW HEX SKT CTSK,5/16X1-1/4	2
3	1-861-010032-09	WASHER, FLAT 5/16 W ZP/CD	6
4	123391	PIN,COVER HOLD-UP SHORT	1
5	127083	BRACKET,B40-4 SEAT BASE LATCH	1
6	107518	SEAT,CLOTH LO-RIDER SRS (SEE PAGE 1-88)	1
6	109584	SEAT,VINYL LO-RIDER (SEE PAGE 1-90)	1
6	154573	SEAT, SEARS VINYL BT-4.5 (SEE PAGE 1-90)	1
6	154574	SEAT, SEARS CLOTH BT-4.5 (SEE PAGE 1-88)	1



152816

Figure 1-56: Steering Column and Dash Display Assembly

---

## Steering Column and Dash Display Assembly

---

ITEM	PART NUMBER	DESCRIPTION	QTY.
	152816	STEERING COLUMN ASSY,BT-AC	
1	126193	STEERING COLUMN, I/C ( <b>SEE PAGE 1-98</b> )	1
2	129626	MOUNT,CIRCUIT BRK BLANK BT-4	1
3	135568	PLATE BT HEAVY DUTY KEYSWITCH	1
4	135617	KEYSWITCH,2POSITION,HEAVYDUTY	1
5	146057	PANEL, ENGAGE IV DASH	1
6	146297	DISPLAY, ENGAGE IV DASH	1
7	169764	SCREW B4SC 10-32X.600 ZP	8
8	1-512-010003-05	NUT HEX SLFLKG W/NYL 10-32	8
9	107539	SCREW PNHD 6-32X1/2 SSHK	4
10	151398	HARNESS, SER V DASH ( <b>NOT SHOWN</b> )	1
11	153310	PLACARD,BT-4.5 COLUMN SWITCH	1



## Steering Column Assembly

ITEM	PART NUMBER	DESCRIPTION	QTY.
	126193	STEERING COLUMN, I/C	
1	128093	SWITCH (0058-0346) N	1
2	128082	ROCKER BUTTON (0011-0618)	1
3	128083	SWITCH (0058.0345) N	1
4	128084	ROCKER BUTTON (0011-0638)	1
5	128085	SWITCH (0058-0310) N	1
6	128086	ROCKER BUTTON (0011-0610)	1
7	128088	MAIN SHAFT (0034.0785)	1
8	128089	UPPER CLUSTER (0052.1396)	1
9	128090	LH COVER (0052.1367)	1
10	128091	RH COVER (0052.1368)	1
11	128092	RUBBER CLADDING (0046.0130)	1
12	138570	HANDLE, COBO COLUMN TILT	1
13	139806	HARDWARE KIT FOR TC01.E503 <b>(INCLUDES PLUGS/CONNECTORS FOR SWITCHES)</b>	REF

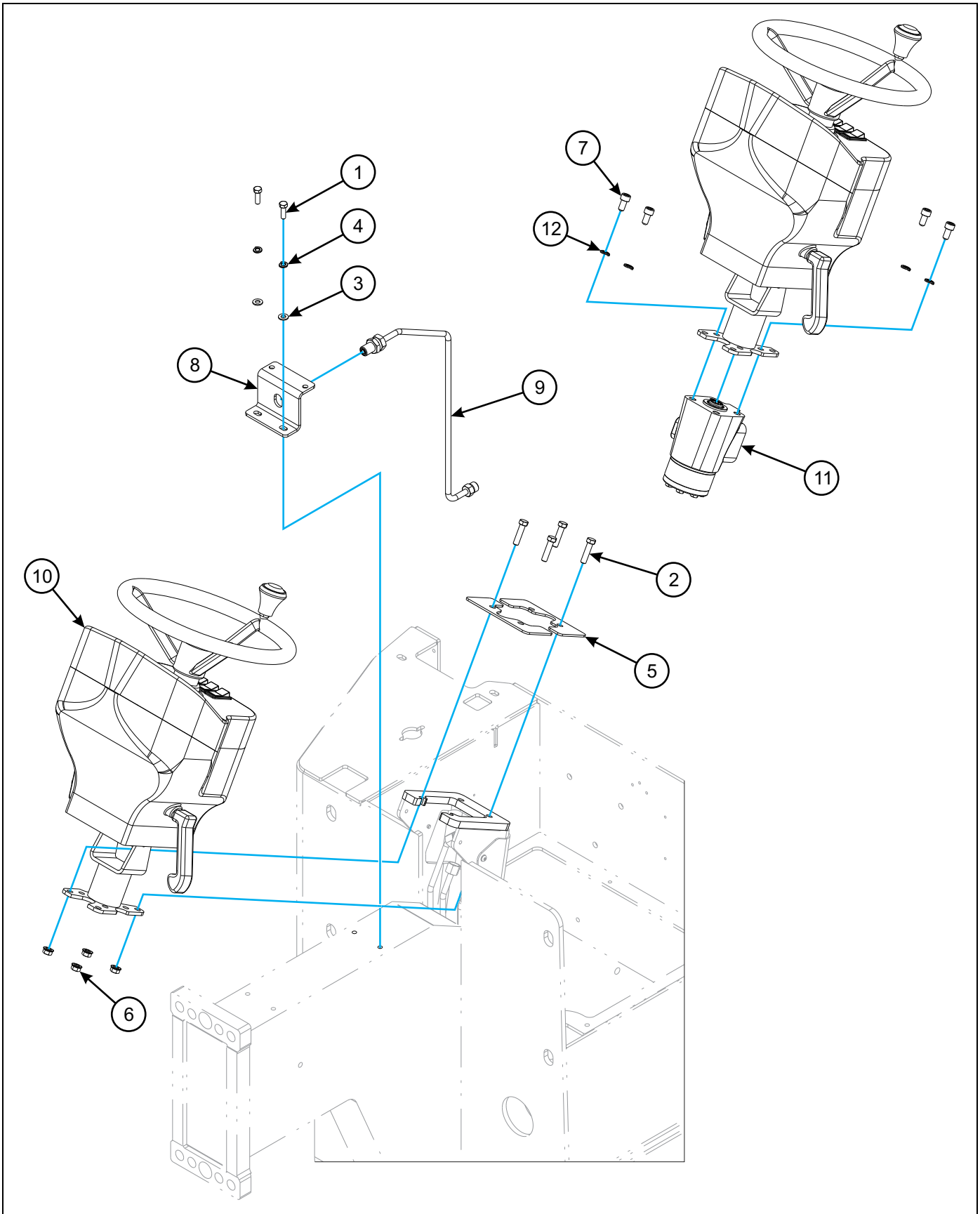


Figure 1-58: Steering Column and Orbital Installation

## Steering Column and Orbital Installation

ITEM	PART NUMBER	DESCRIPTION	QTY.
1	1-654-010049-05	SCREW HX CP 5/16-18UNCX1 GR5	2
2	1-654-010051-07	SCREW,HEX CAP,3/8-16UNCX1-1/2	4
3	1-861-010032-08	WASHER,FLAT 5/16 ZP	2
4	1-861-010034-10	WASHER,LKG 5/16	2
5	100006	PLATE,STRGCOLUMN BELLOWS RTNR	2
6	107470	NUT,SPIRALOCK 3/8-16HX	4
7	131015	SCREW,HXSKT CAP M10-1.50X20ZP	4
8	145740	BRACKET, B3-4 STRG BLKHED/HORN	1
9	145742	TUBE, B3-4 ACTR P2 INTMD COLUM	1
10	152816	STEERING COLUMN ASSY,BT-AC <b>(SEE PAGE 1-96)</b>	1
11	154539	TUBE,BT/AC ORBITAL LDSEN DOWN	1
12	168316	ORBITAL, B3 ACTR LOAD SENSING <b>(SEE PAGE 1-66)</b>	1
13	M10SLW ZP	WASHER,SPLIT LK METRIC 10MMZP	4

Powertrain

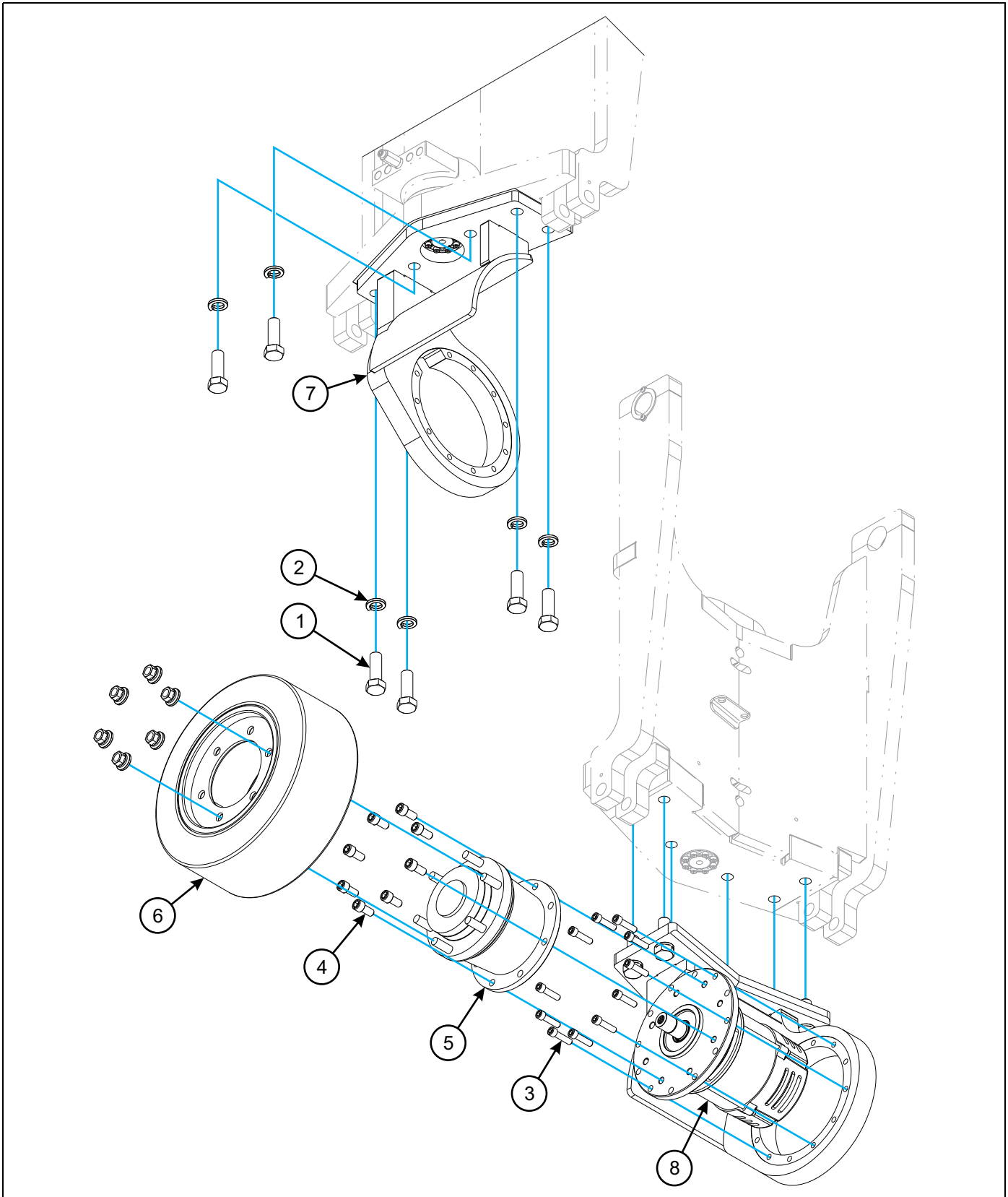


Figure 1-59: Drive Installation



## Drive Installation

ITEM	PART NUMBER	DESCRIPTION	QTY.
1	1-654-010125-09	SCREW,HXCP 1-8UNCX3 GR8	6
2	1-861-010034-21	WASHER, LKG HEL SPRG 1IN	6
3	119119	SCREW HEX SKT 1/2-20X2-1/2	11
4	131848	SCREW,HX SKT M16-2.0X35,12.9	8
5	142229	GEARBOX,BREVINI 29:1 <b>(SEE PAGE 1-105)</b>	1
6	145805	WHEEL,FRONT 7" SM POLY B3-2 <b>(SEE PAGE 1-104)</b>	1
7	145864	MOUNT WLDMT, B3-4 DRV MTR/GRBX	1
8	157539	MOTOR, AC B3 DRIVE <b>(SEE PAGE 1-44)</b>	1

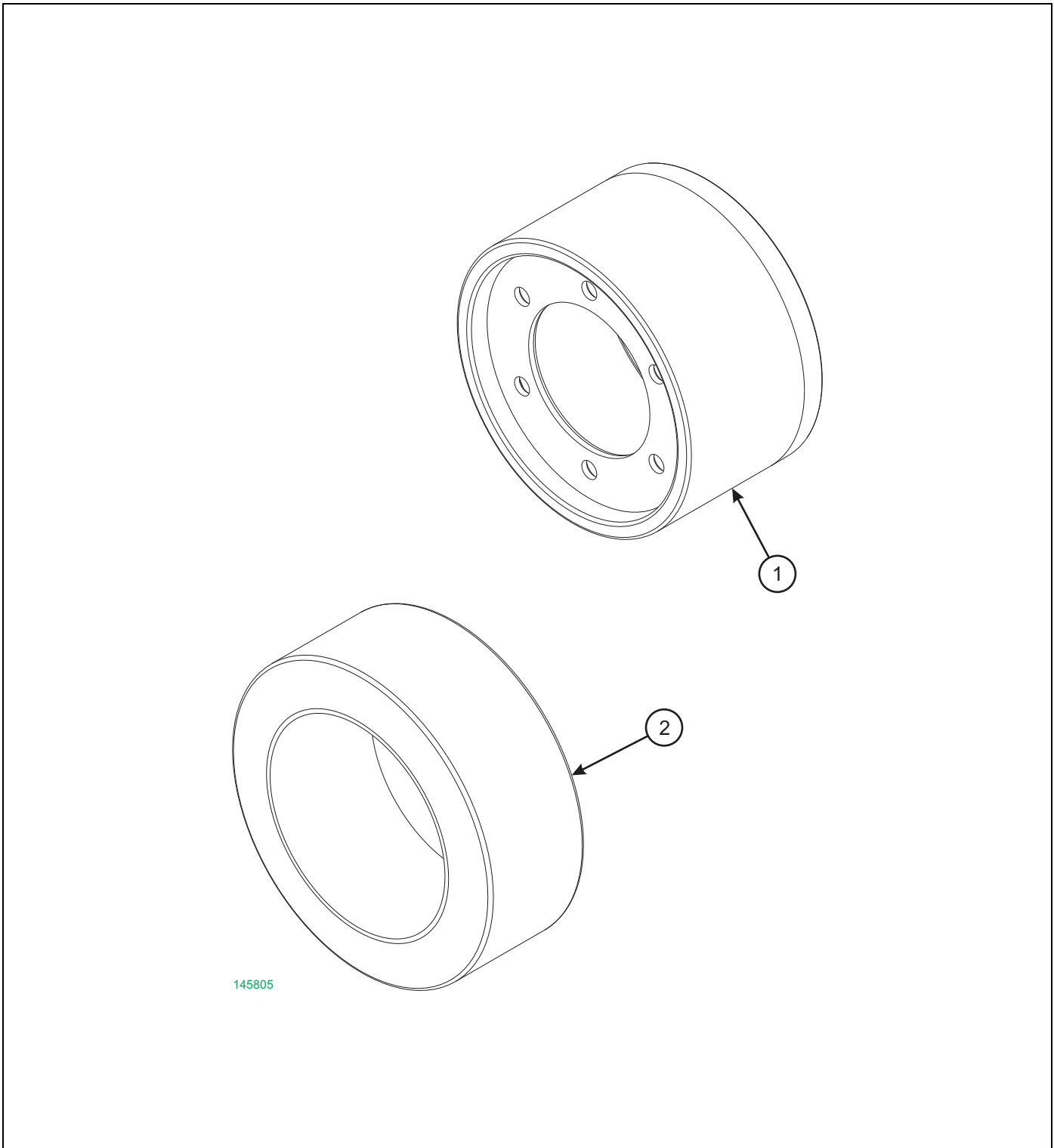


Figure 1-60: Drive Wheel Assembly

### Drive Wheel Assembly

ITEM	PART NUMBER	DESCRIPTION	QTY.
	145805	WHEEL,FRONT 7" SM POLY B3-2	
1	145019	WHEEL BREVINI 7" B3-2	1
2	0012566	TIRE,PRESS-ON,POLY,18X7	1

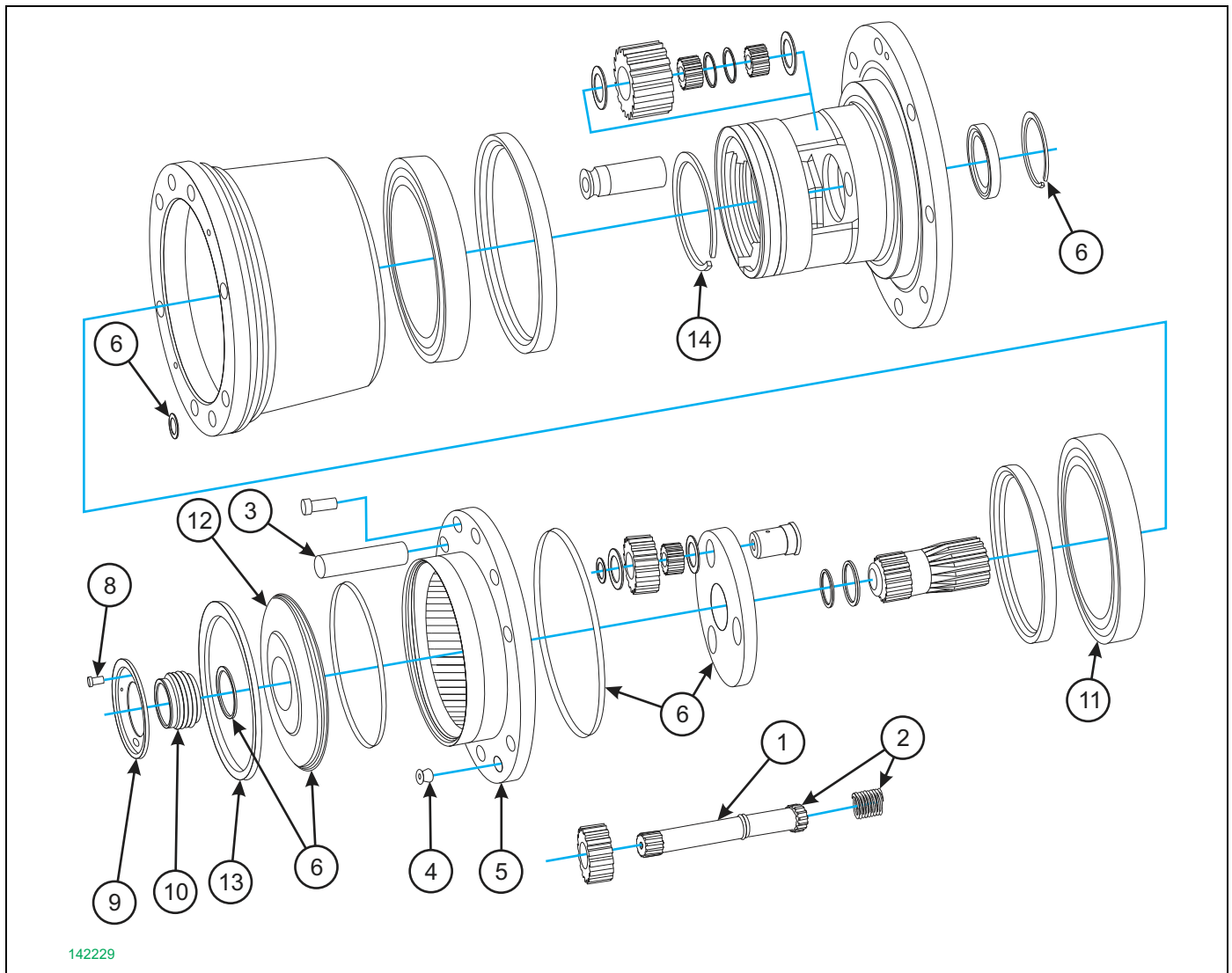


Figure 1-61: Gearbox Assembly, 29:1 In-Line, Brevini

### Gearbox Assembly, 29:1 In-Line, Brevini

ITEM	PART NUMBER	DESCRIPTION	QTY.
	142229	GEARBOX,BREVINI 29:1	
1	127519	SHAFT,BREVINI GEARBOX DRIVE	1
2	131075	TRANSFER SHAFT W/SPRING	1
3	131076	STUD M18X1.5 (37002840000)	6
4	131077	PLUG M10X1 DIN908	1
5	131078	WASHER-DIN7603-A 10X15-CU	1
6	131079	SEAL KIT FOR P/N 124201 <b>(DOES NOT INCLUDE ITEM 11)</b>	REF
7	131455	LUG NUT,BREVINI M18X1.5 <b>(NOT SHOWN)</b>	6
8	136304	SCREW, COVER, GEARBOX	2
9	136305	COVER, GEARBOX CENTER CIRCLIP	1
10	136306	THRUST PLUG, GEARBOX CENTER	1
11	148080	OIL SEAL FOR 124201 GEAR BOX	1
12	148954	COVER	1
13	148955	RING	1
14	149546	CIRCLIP	1

## Options

## Accessories

---

ITEM	PART NUMBER	DESCRIPTION	QTY.
1			
2			
2			
3			
3			
4			
5			

---

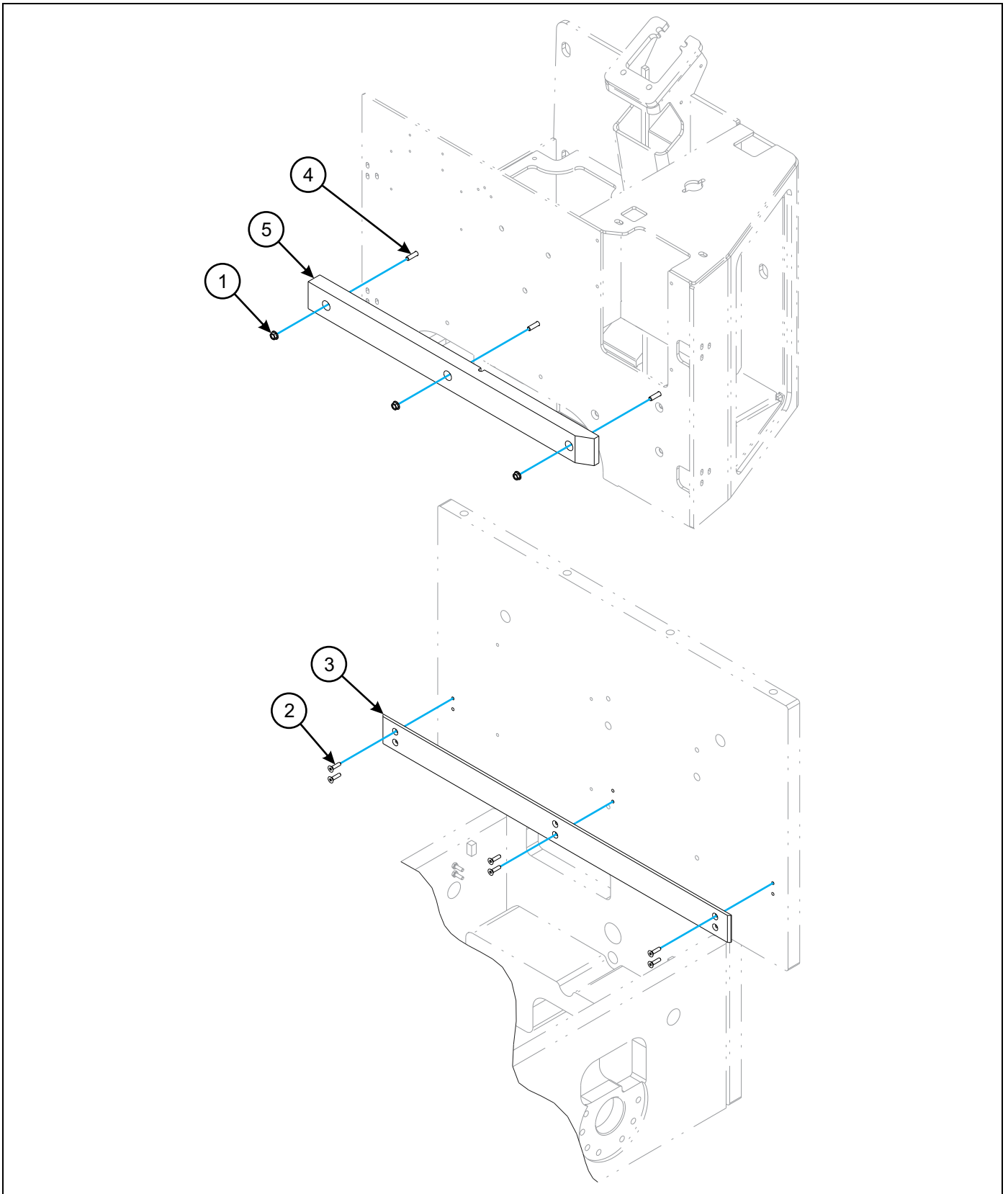


Figure 1-62: Battery Guides Installation

## Battery Guides Installation

ITEM	PART NUMBER	DESCRIPTION	QTY.
1	1-510-010004-03	NUT HX FLANGE, 5/16-18 GR8	3
2	1-654-010079-6	SCREW SKT FL C/SUNK 1/4-20X1	6
2	1-654-010079-9	SCREW SKT CTSK 1/4-20X1-3/4 <b>(26" BATTERY OPTION ONLY)</b>	6
3	108456	BAR,B30 RR UHMW BATTERY GUIDE	1
3	118708	BAR, B30 B&Q UHMW BATTGUIDE <b>(26" BATTERY OPTION ONLY)</b>	1
4	131206	SCREW,BHSC 5/16-18UNCX1-1/4	3
5	153282	BAR,BT-4.5 FRT UHMW FRT GUIDE	1

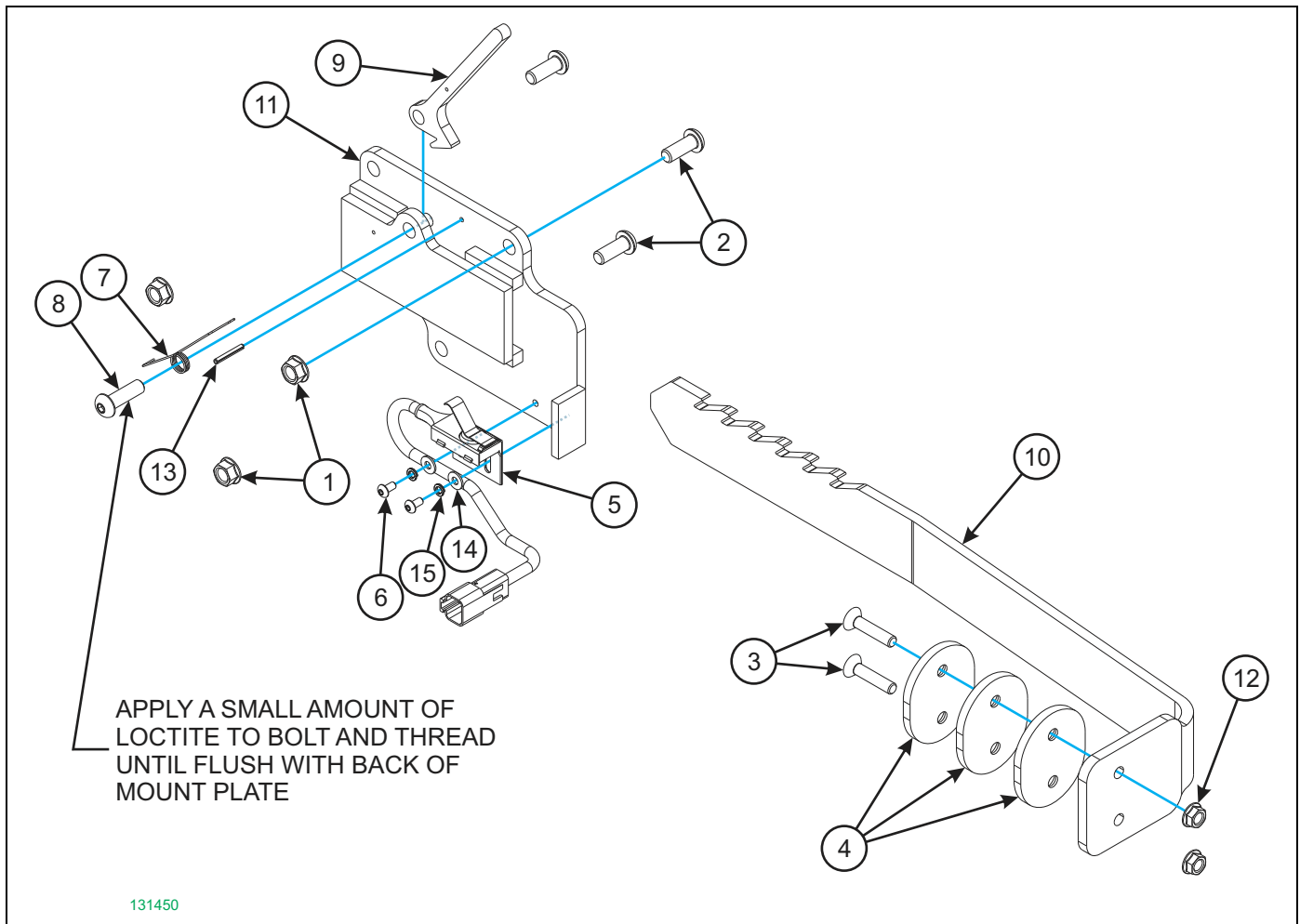


Figure 1-63: Battery Restraint Assembly

## Battery Restraint Assembly

ITEM	PART NUMBER	DESCRIPTION	QTY.
	131450	RESTRAINT ROLLOUT BAT BT	
1	107470	NUT, SPIRALOCK 3/8-16HX	3
2	108336	SCREW SKT BTN 3/8-16X1	3
3	108407	SCREW, HXSKT CTSK 5/16-18X1.5	2
3	111311	SCREW HX SKTCTSK, 5/16-18X3/42 (NOT SHOWN) (USED WHEN LESS SPACERS ARE USED)	2
4	108408	PLATE, ROLLOUT BTRY SPACER	3
5	109520	SWITCH, ROLLOUT REST LIM	1
6	114849	SCREW, BHSC #10-24UNCX3/8	2
7	127769	SPRING, TORSION	1
8	130405	SCREW, BHSC 3/8-16UNCX1-1/4	1
9	131429	CATCH ROLLOUT BAT RST BT	1
10	131430	ARM ROLLOUT BAT RST BT	1
11	131449	MOUNT ROLLOUT BAT RST BT WLD	1
12	1-510-010004-03	NUT HX FLANGE, 5/16-18 GR8	2
13	1-647-010004117	SPRING PIN, SLOTTED 1/8X1	1
14	1-861-010032-03	WASHER, FLAT #10 ZP/CD	2
15	1-861-010034-07	WASHER, LKG, HLCL SPR, NO 10	2

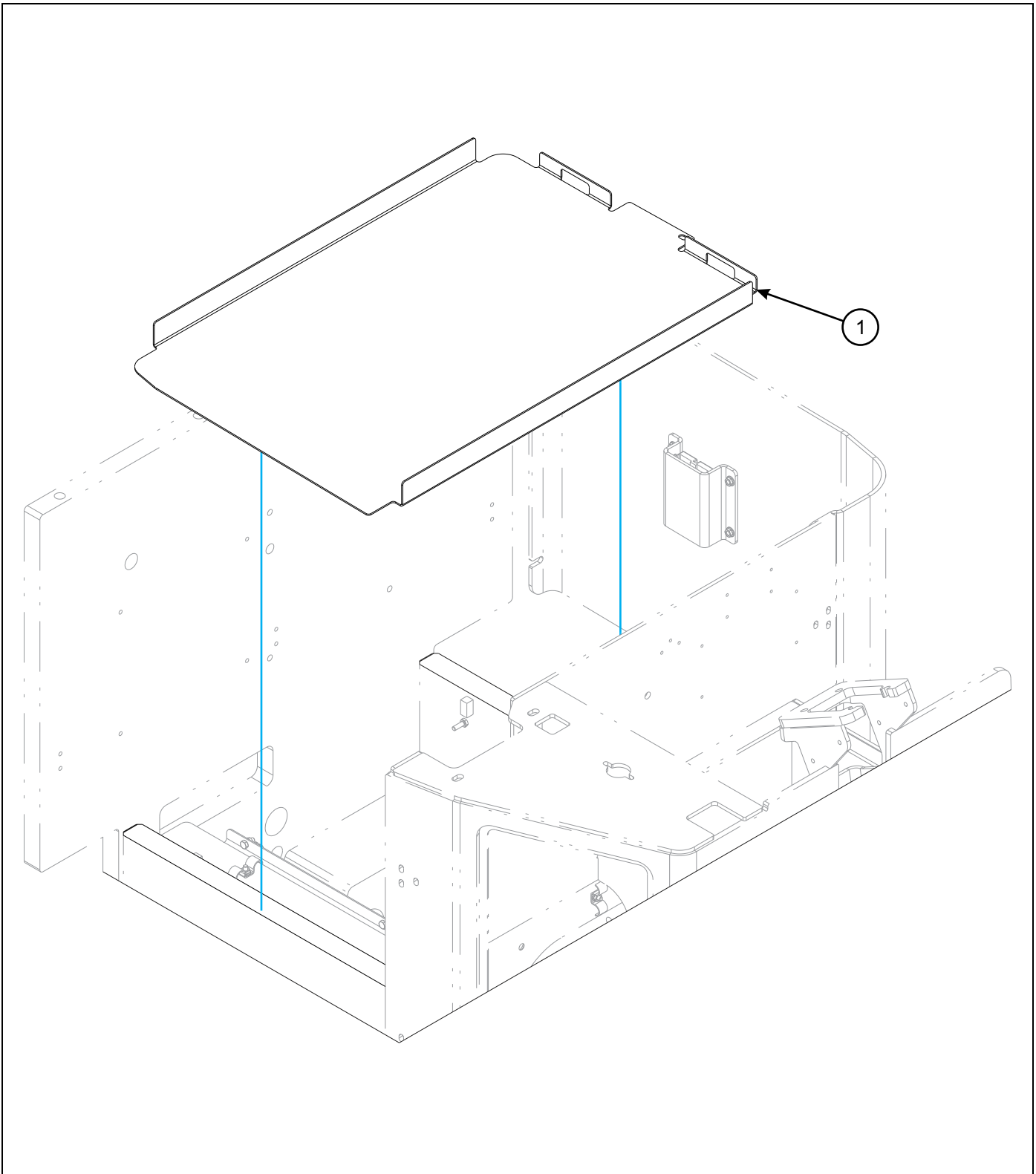
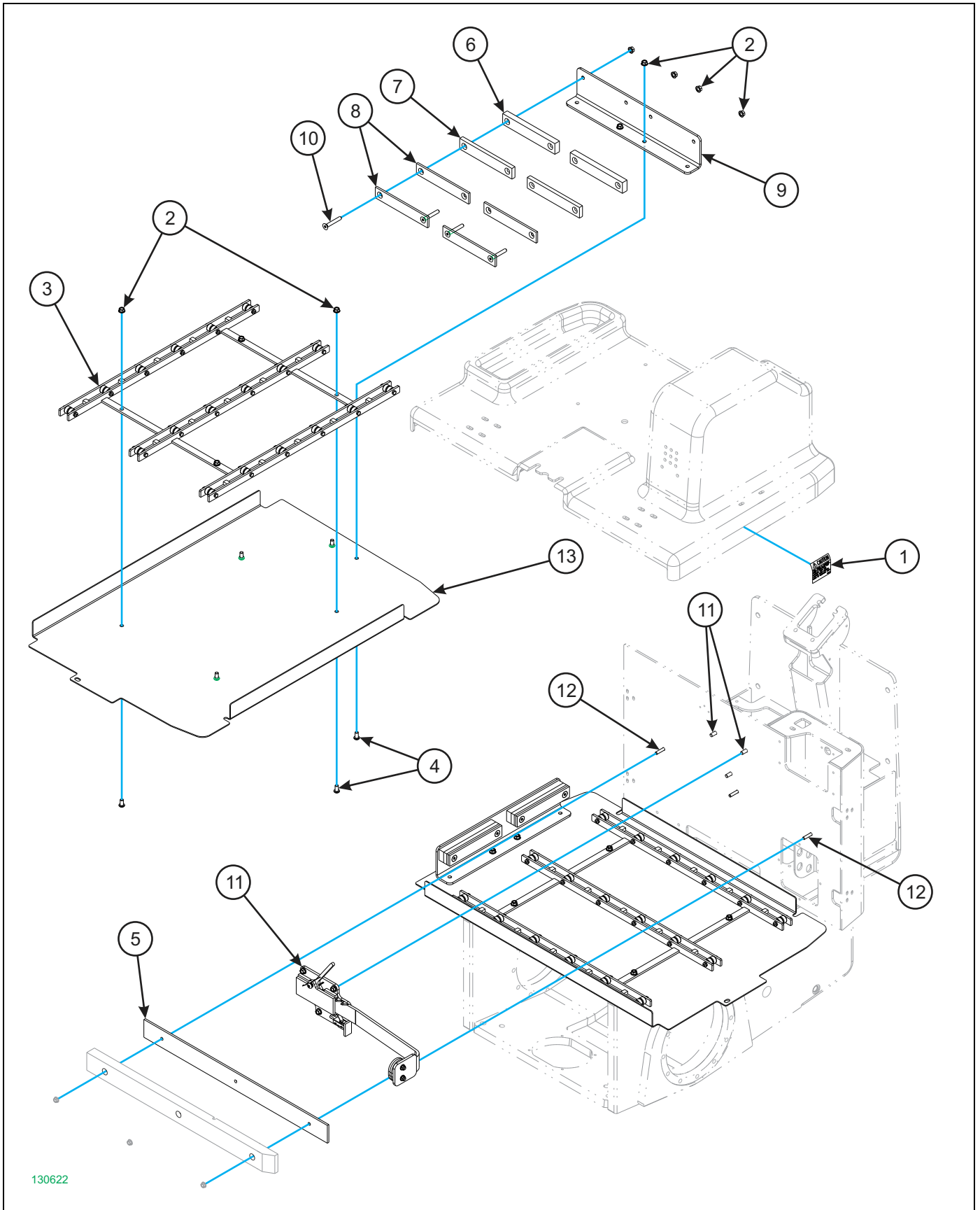


Figure 1-64: Battery Tray, Lift Out

## Battery Tray, Lift Out

ITEM	PART NUMBER	DESCRIPTION	QTY.
1	130621	TRAY SERIES 4, B30 LIFTOUT	1





130622

Figure 1-65: Battery Tray Assembly, Roll Out

**Battery Tray Assembly, Roll Out**

ITEM	PART NUMBER	DESCRIPTION	QTY.
	130622	OPTION,ROLLOUT BAT TRAY,42-4	
1	102159	DECAL, CAUTION ROLLOUT BATT.	1
2	107470	NUT,SPIRALOCK 3/8-16HX	10
3	111762	TRAY, B30B ROLLER	1
4	111899	SCREW,BHSC 3/8-16UNCX3/4	6
5	126618	BAR,ROLLOUT FRT BATT SPCR,BT4	1
6	131395	SHIM 3/4 BATT REST BT	AR
7	131396	SHIM 1/2 BATT REST BT	AR
8	131397	SHIM 1/4 BATT REST BT	AR
9	131398	RESTRAINT LH ROLLOUT BAT	1
10	131427	SCREW HXSKT CTSK 3/8-16X2-1/2	4
11	131450	RESTRAINT ROLLOUT BAT BT <b>(SEE PAGE 1-109)</b>	1
12	133917	SCREW,BHSC 5-16-18UNCX1-1/2	3
13	135638	TRAY WLDMT B30-4 ROLLOUT BAT	1

**NOTE: NUMBER OF SHIMS AND SPACER PLATES (ITEMS 6-8) VARIES DEPENDING UPON CUSTOMER BATTERIES.**

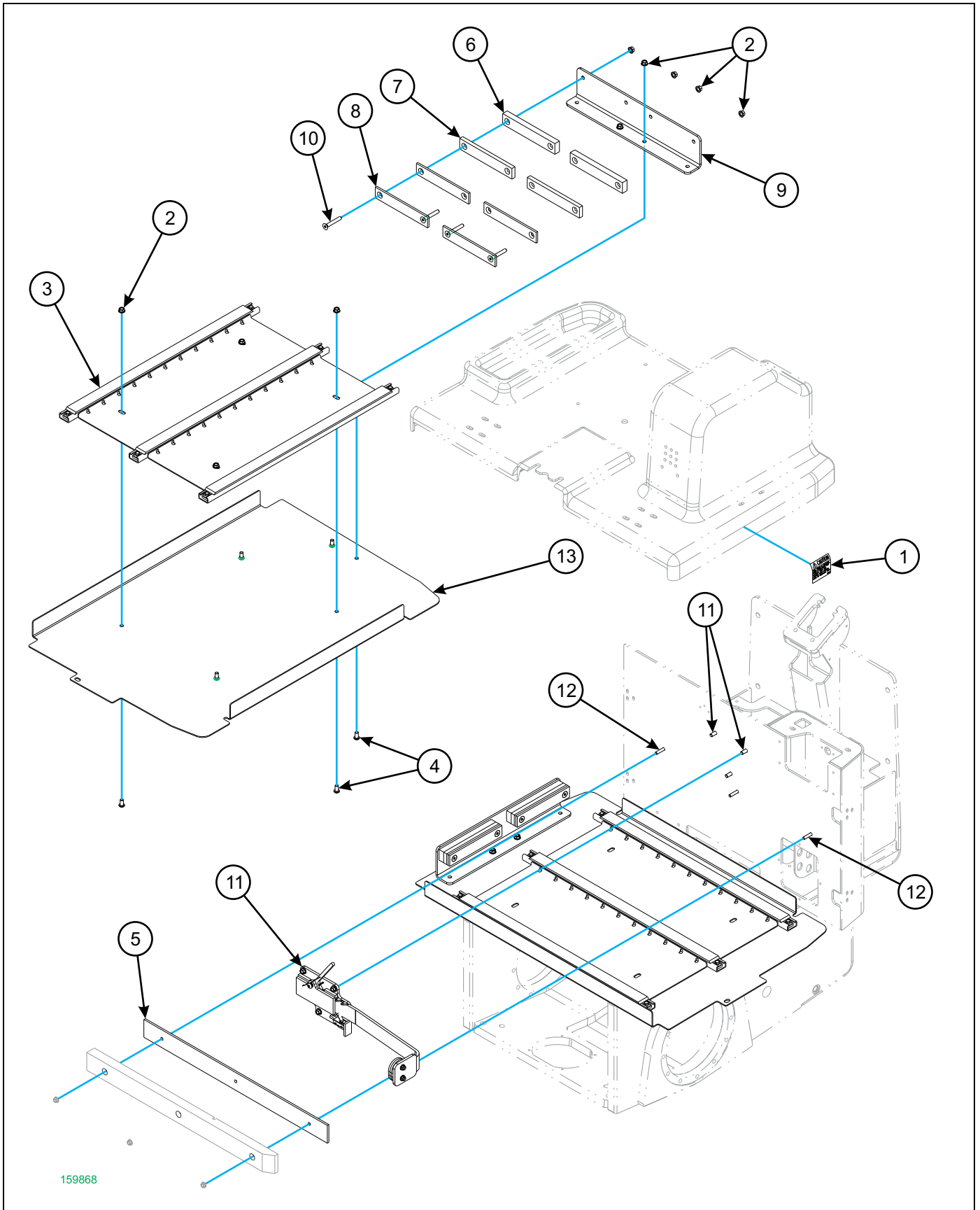


Figure 1-66: Battery Tray Assembly, Slide Out

**Battery Tray Assembly, Slide Out**

ITEM	PART NUMBER	DESCRIPTION	QTY.
	159868	OPTION,SLIDEOUT BATT 42-4	
1	102159	DECAL, CAUTION ROLLOUT BATT.	1
2	107470	NUT,SPIRALOCK 3/8-16HX	10
3	159862	ASSY,31"X24" 3 RAIL BAT SLIDE	1
4	111899	SCREW,BHSC 3/8-16UNCX3/4	6
5	126618	BAR,ROLLOUT FRT BATT SPCR,BT4	1
6	131395	SHIM 3/4 BATT REST BT	AR
7	131396	SHIM 1/2 BATT REST BT	AR
8	131397	SHIM 1/4 BATT REST BT	AR
9	131398	RESTRAINT LH ROLLOUT BAT	1
10	131427	SCREW HXSKT CTSK 3/8-16X2-1/2	4
11	131450	RESTRAINT ROLLOUT BAT BT <b>(SEE PAGE 1-109)</b>	1
12	133917	SCREW,BHSC 5-16-18UNCX1-1/2	3
13	135638	TRAY WLDMT B30-4 ROLLOUT BAT	1

**NOTE: NUMBER OF SHIMS AND SPACER PLATES (ITEMS 6-8) VARIES DEPENDING UPON CUSTOMER BATTERIES.**

## Service Tools

### Software Programs, Cables, Handsets, and Documents

ITEM	PART NUMBER	DESCRIPTION	QTY.
1	145405	KIT, CURTIS 1314 OEM PROG <b>(REPLACED BY ITEM 8)</b>	
2	0018152	GAUGE KIT, HYDRAULIC PRESSURE	
3	128554	DEUTSCH SERVICE KIT	
4	161364	KIT,MINI DEUTSCH CONN	
5	143837	PROGRAMMER, CURTIS 1311 SERV V	
6	168284	DONGLE, CURTIS USB W/OUT MOLEX <b>(FOR DEALERS WITH 1314 SOFTWARE) (FOR USE WITH ITEM 7)</b>	
7	171548	CONNECTOR, CURTIS MOLEX <b>(FOR DEALERS WITH 1314 SOFTWARE) (FOR USE WITH ITEM 6)</b>	
8	171549	KIT, CURTIS 1314 USB OEM PROG <b>(INCLUDES USB DONGLE)</b>	



## Numerical Index

### Numerics

0010931	1-87	1-007-010025	1-61
0011269	1-87	101375	1-41
0012200	1-9	101864	1-15
0012212	1-9	101909	1-87
0012214	1-9	101967	1-85
0012215	1-9	101988	1-9
0012566	1-104	102048	1-55, 1-59
0013512	1-15	102159	1-35, 1-112, 1-114
0018108	1-81	10-32X1	1-87
0018109	1-81	104031	1-83
0018110	1-53	104077	1-23
0018117	1-61	104382	1-59
0018119	1-53, 1-61	104399	1-15
0018120	1-61, 1-65	104582	1-61
0018126	1-81	104877	1-23
0018136	1-61	105494	1-41
0018149	1-53, 1-63	106100	1-41
0018152	1-115	106240	1-93
0018160	1-65	106429	1-53
0019039	1-11	106487	1-12
0022016	1-11	106534	1-87
0030010	1-45	106954	1-87, 1-93
0030011	1-93	106955	1-17, 1-23, 1-37, 1-73, 1-77
0030024	1-37	107-0002	1-41
0030033	1-93	107-0754	1-61
0050002	1-9	107-0762	1-15
100006	1-101	107-0984	1-41
100131	1-9	107-1001	1-9
		107199	1-85

## NUMERICAL INDEX

---

107470	1-15, 1-17, 1-41, 1-53, 1-59, 1-101, 1-109, 1-112, 1-114	111630	1-29
107518	1-89, 1-95	111708	1-89
107539	1-23, 1-97	111709	1-91
107750	1-93	111710	1-89
107920	1-87	111711	1-91
107940	1-19	111712	1-89, 1-91
108151	1-87	111713	1-89, 1-91
108336	1-29, 1-55, 1-109	111714	1-89, 1-91
108337	1-73	111715	1-89, 1-91
108407	1-109	111716	1-89, 1-91
108408	1-109	111717	1-89, 1-91
108409	1-37	111718	1-89, 1-91
108417	1-7, 1-23, 1-25, 1-29, 1-37, 1-41, 1-49, 1-81	111719	1-89, 1-91
108456	1-108	111720	1-89, 1-91
108610	1-29, 1-37, 1-83	111762	1-112
108797	1-17, 1-23, 1-29, 1-73, 1-77, 1-87, 1-93	111899	1-23, 1-112, 1-114
109042	1-19	112643	1-69
109099	1-25, 1-29, 1-81	112866	1-15
109394	1-37	112876	1-62
109520	1-109	113089	1-9
109548	1-15	113510	1-15
109584	1-91, 1-95	113535	1-15
109874	1-61	114067	1-85
10K2	1-7	114849	1-109
110-2760	1-85	115668	1-17
110289	1-37	115673	1-17
110427	1-23	115849	1-37
110467	1-37	115958	1-23
110470	1-37	115963	1-29
110578	1-59	116144	1-49
110-7389	1-19	117136	1-93
110843	1-23	117437	1-9
111271	1-15	117997	1-37
111311	1-109	118180	1-74
111340	1-17	118575	1-43
111341	1-15, 1-23	118577	1-3
111360	1-87	118631	1-29
		118708	1-108



118710	1-87, 1-93	128082	1-99
119119	1-103	128083	1-99
119547	1-85	128084	1-99
119548	1-85	128085	1-99
119734	1-23, 1-29, 1-55	128086	1-99
119741	1-17	128088	1-99
120047	1-89, 1-91	128089	1-99
120123	1-93	128090	1-99
121421	1-85	128091	1-99
121422	1-23, 1-35	128092	1-99
121526	1-23	128093	1-99
121571	1-85	128174	1-77
122187	1-41	128305	1-61
123391	1-95	128306	1-17
123763	1-77	128554	1-115
123909	1-61	128757	1-17
123910	1-50	128859	1-29
125056	1-50	128861	1-17
125892	1-73	129421	1-61
125894	1-37	129608	1-61, 1-63, 1-65
126088	1-55	129609	1-7
126193	1-97, 1-99	129610	1-7
126618	1-112, 1-114	129626	1-97
126685	1-93	129635	1-61, 1-62
127080	1-93	129677	1-61
127082	1-93	129909	1-67
127083	1-95	130149	1-61
127084	1-93	130345	1-23
127090	1-29	130405	1-17, 1-109
127356	1-29, 1-83	130406	1-17
127519	1-105	130412	1-17
127621	1-53	130413	1-17
127627	1-23	130414	1-17
127640	1-93	130415	1-17
127644	1-69	130595	1-61
127759	1-55	130602	1-35
127769	1-109	130603	1-35
127991	1-37	130604	1-17

## NUMERICAL INDEX

---

130621	1-110	138749	1-77
130622	1-112	139806	1-99
131015	1-101	141808	1-9
131075	1-105	142229	1-103, 1-105
131076	1-105	1422701	1-4, 1-5
131077	1-105	143491	1-19
131078	1-105	143492	1-19
131079	1-105	143516	1-77
131080	1-17	143521	1-11, 1-12
131206	1-108	143542	1-41
131395	1-112, 1-114	143547	1-41
131396	1-112, 1-114	143573	1-37
131397	1-112, 1-114	143837	1-115
131398	1-112, 1-114	144587	1-81
131427	1-112, 1-114	144599	1-44, 1-46
131429	1-109	145019	1-104
131430	1-109	145405	1-115
131449	1-109	145406	1-41
131450	1-109, 1-112, 1-114	145726	1-23
131455	1-105	145728	1-7
131519	1-69	145729	1-61
131520	1-69	145736	1-55
131808	1-61	145737	1-55
131827	1-63	145738	1-61
131828	1-63	145739	1-55
131829	1-63	145740	1-65, 1-101
131848	1-103	145741	1-73
133917	1-112, 1-114	145742	1-101
135032	1-55	145743	1-65
135568	1-97	145744	1-65
135617	1-97	145745	1-65
135638	1-112, 1-114	145751	1-83
136304	1-105	145753	1-83
136305	1-105	145754	1-23, 1-83
136306	1-105	145755	1-23
136969	1-23	145805	1-103, 1-104
138077	1-68, 1-81	145817	1-37
138570	1-99	145847	1-65

145848	1-65	149416	1-79
145849	1-73	149443	1-59
145850	1-73	149546	1-105
145851	1-49	149560	1-62
145853	1-53	149561	1-62
145854	1-53	149562	1-62
145855	1-53	149563	1-62
145857	1-49	150494	1-79
145859	1-23	150665	1-46
145863	1-23	150666	1-46
145864	1-103	150669	1-46
145901	1-15	150670	1-46
145962	1-49	150673	1-44
146056	1-37	150674	1-44
146057	1-97	150753	1-68
146061	1-41	1-510-010004-03	1-15, 1-83, 1-108, 1-109
146067	1-37	1-511-010002-05	1-49
146072	1-41	151201	1-68
146160	1-37	1-512-010003-03	1-15, 1-49
146162	1-15	1-512-010003-05	1-87, 1-97
146259	1-79	1-512-010003-06	1-37
146260	1-79	1-512-010003-09	1-15, 1-37, 1-49
146261	1-79	1-512-010004-05	1-85
146262	1-79	1-512-010005-03	1-85, 1-95
146263	1-79	1-512-010005-05	1-59
146291	1-74	1-512-010007-07	1-9
146295	1-43	151202	1-68
146296	1-43	151203	1-68
146297	1-97	151204	1-68
146364	1-79	151398	1-97
146386	1-73, 1-77	151409	1-85
146613	1-43	151412	1-85
146632	1-41	151430	1-35
146676	1-59	151471	1-83
148080	1-105	151507	1-62
148954	1-105	152144	1-41
148955	1-105	152816	1-97, 1-101
149321	1-12	152870	1-35

## NUMERICAL INDEX

---

153231	1-9	159642	1-79
153232	1-9	159862	1-114
153235	1-85	159868	1-114
153238	1-79	160417	1-85
153253	1-85	160442	1-49
153282	1-108	160520	1-85
153283	1-53	161318	1-79
153284	1-53	161364	1-115
153303	1-85	161412	1-23
153309	1-79	162248	1-23
153310	1-97	162290	1-7
153457	1-85	162580	1-65
153458	1-85	162581	1-65
153466	1-23	162582	1-65
153467	1-85	162583	1-65
153496	1-85	162667	1-79
154004	1-53, 1-56, 1-85	163857	1-35
154015	1-59	163960	1-46, 1-59
154016	1-59	1-647-010004117	1-109
154179	1-37	1-647-010004255	1-23
154180	1-37	1-647-010004257	1-93
154539	1-65, 1-101	1-654-010047-03	1-25
154541	1-53	1-654-010047-04	1-25, 1-49
154542	1-53	1-654-010047-05	1-23
154573	1-91, 1-95	1-654-010047-06	1-15
154574	1-89, 1-95	1-654-010047-08	1-81
155677	1-23	1-654-010047-09	1-81
155689	1-9	1-654-010049-05	1-49, 1-61, 1-101
156260	1-56	1-654-010049-06	1-85
156266	1-87	1-654-010049-07	1-15
156301	1-61	1-654-010049-08	1-15
156356	1-93	1-654-010051-05	1-7, 1-47
157345	1-25	1-654-010051-06	1-93
157521	1-71	1-654-010051-07	1-9, 1-101
157539	1-44, 1-103	1-654-010079-6	1-108
157542	1-59	1-654-010079-9	1-108
158471	1-37	1-654-010100028	1-37
158958	1-35	1-654-010104315	1-3

1-654-010121-06	1-95	169336	1-73
1-654-010125-09	1-103	169337	1-71
1-654-010125-13	1-19	169760	1-81
1-654-010125-18	1-19	169763	1-17
1-654-010166-04	1-43	169764	1-97
1-655-010002-11	1-93	170122	1-44
1-655-010003-05	1-61	170123	1-44
1-656-010003034	1-49	170124	1-44, 1-46
165738	1-59	170127	1-44, 1-46
167015	1-79	170128	1-44
167016	1-9	170129	1-46
167017	1-7, 1-9	170130	1-44, 1-46
167018	1-9	170134	1-46
167022	1-9	170135	1-46
167072	1-15	170136	1-46
167443	1-81	170137	1-46
167495	1-79	170138	1-46
167496	1-79	170139	1-46
167497	1-79	170140	1-46
167498	1-79	170141	1-46
167499	1-79	170597	1-71
167500	1-79	170611	1-71
167736	1-59	170612	1-71, 1-73
168219	1-56	170637	1-23
168220	1-56	171548	1-115
168221	1-56	171549	1-115
168222	1-56	171561	1-79
168223	1-56	173698	1-35
168284	1-115	173927	1-59
168303	1-79	174269	1-44
168312	1-71	174270	1-44
168316	1-65, 1-67, 1-101	174271	1-44
168318	1-71	174272	1-44
168584	1-62	18062	1-3, 1-5
169051	1-79	1-861-010032-01	1-41
169067	1-71	1-861-010032-02	1-49
169104	1-37	1-861-010032-03	1-9, 1-41, 1-109
169112	1-17	1-861-010032-04	1-87



# Chapter 3

## Glossary

For clarity this glossary of industry standard abbreviations and their definitions are provided.

For additional information, See "Instructions for Ordering Parts" on page 1-1.

### A

**ASSY** ..... Assembly

### B

**BATT** ..... Battery  
**BHSC** ..... Button Head Socket Cap  
**BLK** ..... Black  
**BLKHD** ..... Bulkhead  
**BLNCE** ..... Balance  
**BRK** ..... Brake  
**BTN** ..... Button

### C

**CB** ..... Carriage Bolt  
**CD** ..... Cadmium  
**COMPSTR** ..... Compensator  
**CONN** ..... Connector  
**CP** ..... Cap  
**CRG** ..... Carriage  
**CTSK** ..... Countersunk  
**CTWT** ..... Counterweight  
**CVR** ..... Cover  
**CYD OR CYL** ..... Cylinder

### D

**DBL** ..... Double  
**DEG** ..... Degree  
**DIA** ..... Diameter

### E

**ENCLSD** ..... Enclosed

### F

**FHCS** ..... Flanged Head Cap Screw  
**FHHCS** ..... Flanged Hex Head Cap Screw  
**FL OR FLG** ..... Flange  
**FLT** ..... Flat  
**FRT** ..... Front

### G

**GA** ..... Gauge  
**GR5** ..... Grade 5  
**GR8** ..... Grade 8

### H

**HHCS** ..... Hex Head Cap Screw  
**HCS** ..... High Carbon Steel  
**HD** ..... Head  
**HLCL OR HEL** ..... Helical  
**HCSKT** ..... Hex Socket  
**HSFC** ..... Hex Socket Flat Countersunk  
**HX** ..... Hex  
**HYD** ..... Hydraulic

### I

**I/C** ..... Internal Combustion  
**ID** ..... Inside Diameter  
**IND** ..... Indicator  
**INT** ..... Interior

## GLOSSARY

---

### J

---

**JIC** ..... Joint Industry Council

### L

---

**LD** ..... Lead  
**LH** ..... Lefthand  
**LIM** ..... Limit  
**LKG OR LOCK** ..... Locking  
**LWR** ..... Lower

### M

---

**MACH** ..... Machined  
**MANF** ..... Manifold  
**MNT** ..... Mount  
**MTR** ..... Motor

### N

---

**NK** ..... Neck  
**NRW** ..... Narrow  
**NSS** ..... Not Serviced Separately  
**NYL** ..... Nylon

### O

---

**OD** ..... Outside Diameter  
**OHG** ..... Overhead Guard  
**ORFS OR ORS** ..... O-Ring Seal  
**ORP OR ORB** ..... O-Ring Boss

### P

---

**P-STEER** ..... Power Steering  
**POT** ..... Potentiometer  
**PTFE** ..... Polytetrafluoroethylene (Teflon)

### R

---

**REFLECTV** ..... Reflective  
**RH** ..... Righthand  
**RND OR RD** ..... Round  
**ROT** ..... Rotation  
**RTNR** ..... Retainer

### S

---

**SAE** ..... Society of Automobile Engineers  
(Imperial System)  
**SER** ..... Series  
**SGL** ..... Single  
**SHCS** ..... Socket Head Cap Screw  
**SHLD** ..... Shield  
**SKT** ..... Socket  
**SLFLKG** ..... Selflocking  
**SOC** ..... Socket  
**SOL** ..... Solenoid  
**SPDT** ..... Single Pole Double Throw  
**SPR** ..... Spring  
**SQ** ..... Square  
**SRTD** ..... Serrated  
**SSCR** ..... Setscrew  
**SST** ..... Stainless Steel  
**STD** ..... Standard  
**STRG** ..... Steering  
**STRN** ..... Strain  
**SWVL** ..... Swivel

### T

---

**TRAC** ..... Traction

### U

---

**UNC** ..... Unified Coarse Thread  
**UNF** ..... Unified Fine Thread  
**UPR** ..... Upper

### W

---

**WHL** ..... Wheel  
**WLD OR WLDMT** ..... Weldment  
**WSHR** ..... Washer

### Z

---

**ZP** ..... Zinc Plate



**Document Control Revision Log:**

Date	Revision	Improvement(s) Description and Comments
10/25/12	F-663-R1	Initial Release
nn/nn/nn	F-	
nn/nn/nn	F-	



**Intertek**

Equipment from Landoll Corporation is built to exacting standards ensured by ISO 9001 registration at all Landoll manufacturing facilities.

# **Model B3/30 AC DS Electric Narrow Aisle Actuated Forklift Parts Manual**

Re-Order Part Number F-663-R1

**LANDOLL CORPORATION**

1900 North Street

Marysville, Kansas 66508

(785) 562-5381

**800-428-5655 ~ WWW.LANDOLL.COM**



Copyright 2012. Landoll Corporation

“All rights reserved, including the right to reproduce this material or portions thereof in any form.”