



BEST QUALITY &
VALUE WITHOUT COMPROMISE

DIESEL FORKLIFT



AGRISON PREMIUM
RANGE OF FORKLIFTS

AGD30T

Agrison Australia

2098-2108 Hume Highway, Campbellfield VIC 3061

PO BOX 352 Somerton VIC 3062

☎ Tel: 1300 651 830 Fax: 1300 854 830 **Local: (03) 9357 8867**

www.agrison.com.au

Mobile: 0420 449 080

www.facebook.com/AgrisonTractor

MODEL		AGD30T	Performance		
Load Capacity	(Kg)	3000	Speed	Max travelling Full/No load	Km/hr 18/19.5
Load Centre	(mm)	500		Lifting Full/No load	mm/s 450/500
Power Type		Diesel		Lowering Full/No load	mm/s 450/450
Operator Type		Driver/Seat	Max drawbar pull	Power Shift T/M	Kg 1500/1000
Tyre		Pneumatic		Full/No load	
Wheel	Front/rear	2/2	Gradeability at 1.6km/hr	Power Shift T/M Full/No load	% 18/20
Dimension			Frame		
Max lifting height	(mm)	4500	Tyres	Number	Front/rear 2/2
Free lift	(mm)	150		Model	Front axle 28x9-15-12PR
Fork Size	L x W x H (mm)	1070 x 125 x 45			Rear axle 6.50-10-10PR
Tilt range	Mast forward/backward (Deg)	6/12	Tyre Type		Pneumatic
Overall length (without fork)		2705	Wheel Base		1700
Total Width		1225	Tread	Front/rear	mm 1000/970
Mast height (fork lowering)		2075	Ground clearance	At lowest point (mast)	mm 120
Overall height fork raised		4250		Frame	mm 135
Height to head guard		2140	Brake	Service Brake	Hydraulic foot-pedal
Turning radius (outside)		2445		Parking Brake	Mechanical hand-lever
Front face of fork to front axle		480	Engine		
Min right angle stacking aisle	Without load Length & clearance	2925	Battery	Voltage/capacity	V/AH 12/80
			Engine	Model	Xinchai C490
				Rated Power	Kw/rpm 45/2650
				Rated Torque	N.m/rpm 186/1800
				Number of Cylinders	4
				Placement	L 3.168
				Fuel Tank Capacity	L 70
			Transmission	Speed Forward/Backward	Power Shift T/M 1-1 Power Shift T/M
			Operating Pressure	Hydraulic System Pressure	Kg/cm3 180
Weight					
Truck weight	(Kg)	4380			
Weight Distribution	Full load Front/rear (Kg)	6490/890			
	No load Front/rear (Kg)	1670/2700			

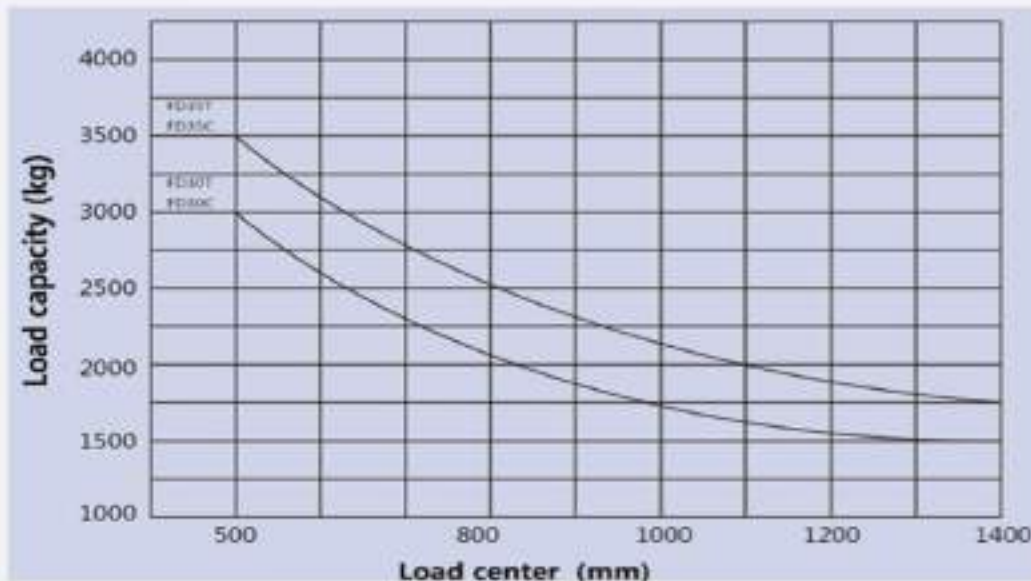


Agrison 3 Tonne Diesel Forklift AGD30T

The Agrison Diesel Forklift range is yet another complimentary success to its already in-demand diesel range of machinery such as tractors, wheel loaders and diesel generators. Given low operating costs, make the Agrison Diesel Forklifts the first choice when it comes to efficiency and performance.

Each forklift is designed to offer the optimum in comfort and ease of operator use. Equipped with a superior hydraulic system, and a broad range of functions to tackle your handling requirements in the warehouse.

Similar to all other Agrison diesel machinery, the Agrison Diesel Forklift range offers you the highest quality and value without compromise.

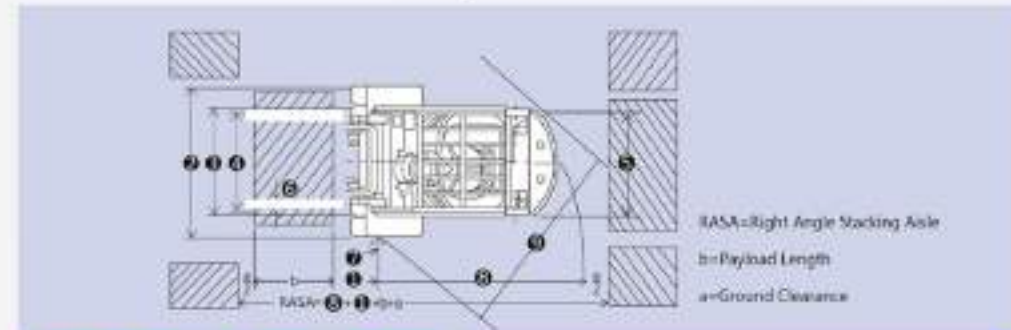


Note: The vertical axis represents load capacity, Horizontal axis represents load centre. Load centre is determined from the front face of the fork. Capacity is based on 1000mm cube load configuration with the centre of gravity at the true centre of the cube, and standard fork. The load capacity will reduce while the mast tilt forward or loading with long fork or lifting transformable width of goods. Getting the load capacities at the various load centres via the load curve.

Agrison reserves the right to update specifications without prior notice. The data in this brochure is determined based on standard testing conditions. The performance may vary depending on the actual specifications and condition of the vehicle as well as the condition of the operating area. Availability and specifications depend on various factors and are subject to change without notice. Due to photography and printing, colour of the actual vehicle may vary from that is shown in this brochure. All rights reserved by Agrison.

Key Features:

- **3000 KG Capacity**
- **4500mm 3 Stage Container Mast with Side Shift**
- **55HP Diesel Engine, Automatic Transmission**
- **Pneumatic Tyres**
- **1070 Fork Tynes**
- **LED Lights**
- **2 Year / 2000 Hour Warranty**



Specifications (front single tyres):

Model	AGD30T
1-Front overhang	480mm
2-Total Width	1225mm
3-Front Track	1000mm
4-Front spread (outside)	250-1090mm
5-Rear Track	970mm
6-Fork Width	125mm
7-Turning Radius (inside)	200mm
8-Turning Radius (outside)	2445mm
9-Right Angle Turning Aisle	2155mm

Agrison Australia

2098-2108 Hume Highway, Campbellfield VIC 3061
PO BOX 352 Somerton VIC 3062

Tel: 1300 651 830 Fax: 1300 854 830 Local: (03) 9357 8867

Mobile: 0420 449 080

www.agrison.com.au

www.facebook.com/AgrisonTractor