

T3571

**S/N 3628 11001
& above**

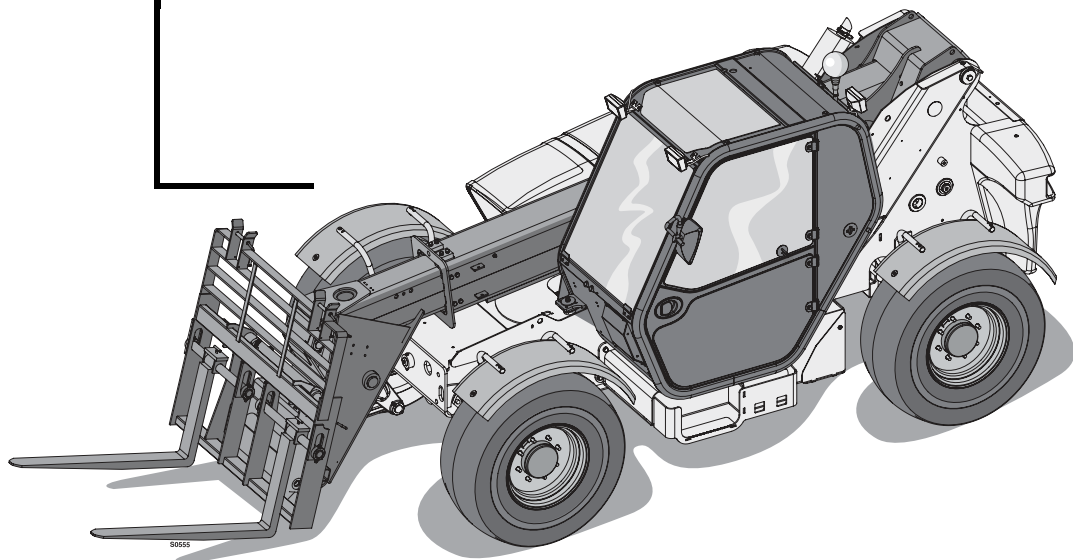
T3571L

**S/N 3629 11001
& above**



Bobcat[®]

PARTS MANUAL



GENERAL INFORMATION

When using the machine serial number (S/N), use the complete number.

In the serial number column S/N ranges are displayed as follows:

S/N 3632 11001 & above : range starting from and including S/N 3632 11001

S/N 3632 11001 & below : range up to and including S/N 3632 11001

3632 11001 thru 3632 11059 : from S/N 3632 11001 up to and including S/N 3632 11059

The number shown in the quantity column in this manual is the number of parts needed for the illustration on the page.

For some parts an "x" will be shown in the quantity column. This "x" indicates that the quantity to be used is "As Needed".

When references L.H. and R.H. are used in this manual, it is done from the operator's seat in the forward operating position.

Some of the illustrations and information found in this parts manual were supplied to Bobcat by machine component companies.

ABBREVIATIONS & SYMBOLS

NAP: Not Available as Parts

NSS: Not Serviced Separately

* : Changed or added pages or lines

Qty: Quantity

Pos.: See position .. on illustration

Order: Order now the following part number for this part.

See page .. for details: Refers to a page where more details on this part can be found.

CONTENTS

MAIN FRAME

Chassis	3
Ballast	7
Fuel Tank Installation	9
Engine Cover	11
Engine Sound Proofing	15
Engine Basket	17
Cab & Fixations	19
Cab Assy	21
Cab Assy II	25
Seat & Suspension	29
Heating/ventilation Installation	31
Heating/ventilation Fan Assy	33
Pedals Installation	35
Steering Column Installation	37
Cowling Installation	39
Control Panel Switches	41
Door Assy	45
Rear Window Installation	49
Wiper Installation	51
Parking Brake Lever - 3628 11135 & below + 3629 11015 & below	53
Parking Brake Lever - 3628 11136 & above + 3629 11016 & above	55
Fixed Boom Assy	57
End Boom Assy	59
Manual Quick Attach Lock	61

DRIVE SYSTEM

Axle Installation	63
Cardan Shaft	65
Hub Reduction - Front Axle / Rear Axle - quantities are per axle	67
Reducer Box - Front Axle	69
Housing - Front Axle	71
Differential - Front Axle	75
Steering - Front Axle	77
Brakes - Front Axle	81
Housing - Rear Axle	83
Differential - Rear Axle	85
Steering - Rear Axle	87

HYDRAULIC SYSTEM

Boom Hydraulic Installation	91
Boom Hydraulic Supply	97
Lift & Compensation Cylinder Installation	99
Steering Hoses & Fittings (without damper)	101
Steering Hoses & Fittings (with damper)	103
Steering Hydraulics Cab	105
Joystick Installation (without AMA)	107
Joystick Installation (with AMA)	109
AMA - Installation	111
Service Brake Hydraulic Installation	113

Parking Brake Hydraulic Installation	115
Parking Brake Hydraulic Installation (accumulator)	117
Quick Attach Installation	119
Hydraulic Tank Installation	121
Frame Level Installation	125
Lift Cylinder	127
Compensating Cylinder	129
Telescope Cylinder - 6912582	131
Telescope Cylinder - 6913007	133
Tilt Cylinder	135
Quick Attach Cylinder	137
Frame Level Cylinder	139
Hydraulic Motor - for cooler fan	141
Hydraulic Pump Installation	143
Hydraulic Pump Assy	145
Hydraulic Control Valve Fixations	147
Hydraulic Control Valve Installation	149
Hydraulic Control Valve: In- and Outlet	155
Hydraulic Control Valve Lift Section	157
Hydraulic Control Valve Tilt Section	159
Hydraulic Control Valve Telescope Section	161
Hydraulic Control Valve Auxiliary Hydraulics Section	163

HYDROSTATIC SYSTEM

Hydrostatic Hoses and Fittings	165
Hydrostatic Pump Assy - 6910533 3628 11091 & below + 3629 11008 & below	169
Hydrostatic Pump Assy - 6913565 3628 11092 & above + 3629 11009 & above	173
Hydrostatic Motor Assy	179

ELECTRICAL SYSTEM

Electrical Circuit Chassis	183
Electrical Circuit Cab	187
Electrical Circuit Engine	189
Ventilation Reverse Electrical	191
Joystick	193
Joystick / Susmic Installation	195
Security Circuit	197

POWER UNIT

Engine Installation	199
Exhaust System	205
Cooling System Installation	207
Cooling Fan Circuit	211
Cooling Fan Circuit (with optional reverse)	213
Cylinder Block	215
Crankshaft - Pistons	219
Flywheel and Drive Pulley	221
Cylinder Head	223
Rocker Shaft	227
Timing Gear	229
Oil Sump - Oil Pump	231
Fuel Injection Equipment	233
Fuel Feeding	237
Cylinder Head Cover	239
Oil Cooler and Filter	241
Water Pump and Thermostat	243

Turbocharger	245
Alternator	249
Flywheel Housing and Starter	251
Engine Gaskets Sets	253

ACCESSORIES & OPTIONS

Air Conditioning Installation	255
DUNLOP 400/80-R24 153B Wheels	261
DUNLOP 400/80-R24 156B Wheels	263
TITAN 400/70-R20 Wheels	265
DUNLOP 405/70-R20 SPT9 Wheels	267
MICHELIN 440/70 XM37 Wheels	269
BFGOODRICH 400/70-20 Wheels	271
Mudguard 20"	273
Mudguard 24"	275
Tow Valve Installation	277
Wheel Wedge Option	279
Valve Braking Switch Option	281
Matriculation Plate Option	283
Trailer Plug	285
Tow Hitch	287
Rear View Mirror	289
Backup Alarm	291
Windshield Protection Grill	293
2nd Hydraulic Function On Boom	297
Rear Hydraulic Function	299
Rear Hydraulic Hook	303
Hook	307
Trailer Brake	309
Bobcat Decals	311
Germany Version	313
Italy Version	315
Italy Version with hook	317
Fuel Pre-Filter Kit	319
Hydraulic Tank Filling Kit	321
Damper Kit	323
Kit Boom Head Reinforcement at "Z" Bar Pin	325
Kit Boom Head Reinforcement at Carriage Connection	327
Pression Retaining Kit for Rear Hydr Function	329
Lift Cylinder Accumulator Kit	331
Tool Adaptor Kit	333
Concrete Bucket	335
Jig + Hook	337
Floating Pallet Forks	339
Bales Pikes - Narrow Quick Attach	341
Rigid Forks Holder - Narrow Quick Attach	343
Toothless Buckets - Narrow Quick Attach	345
Toothed Bucket - Narrow Quick Attach	347

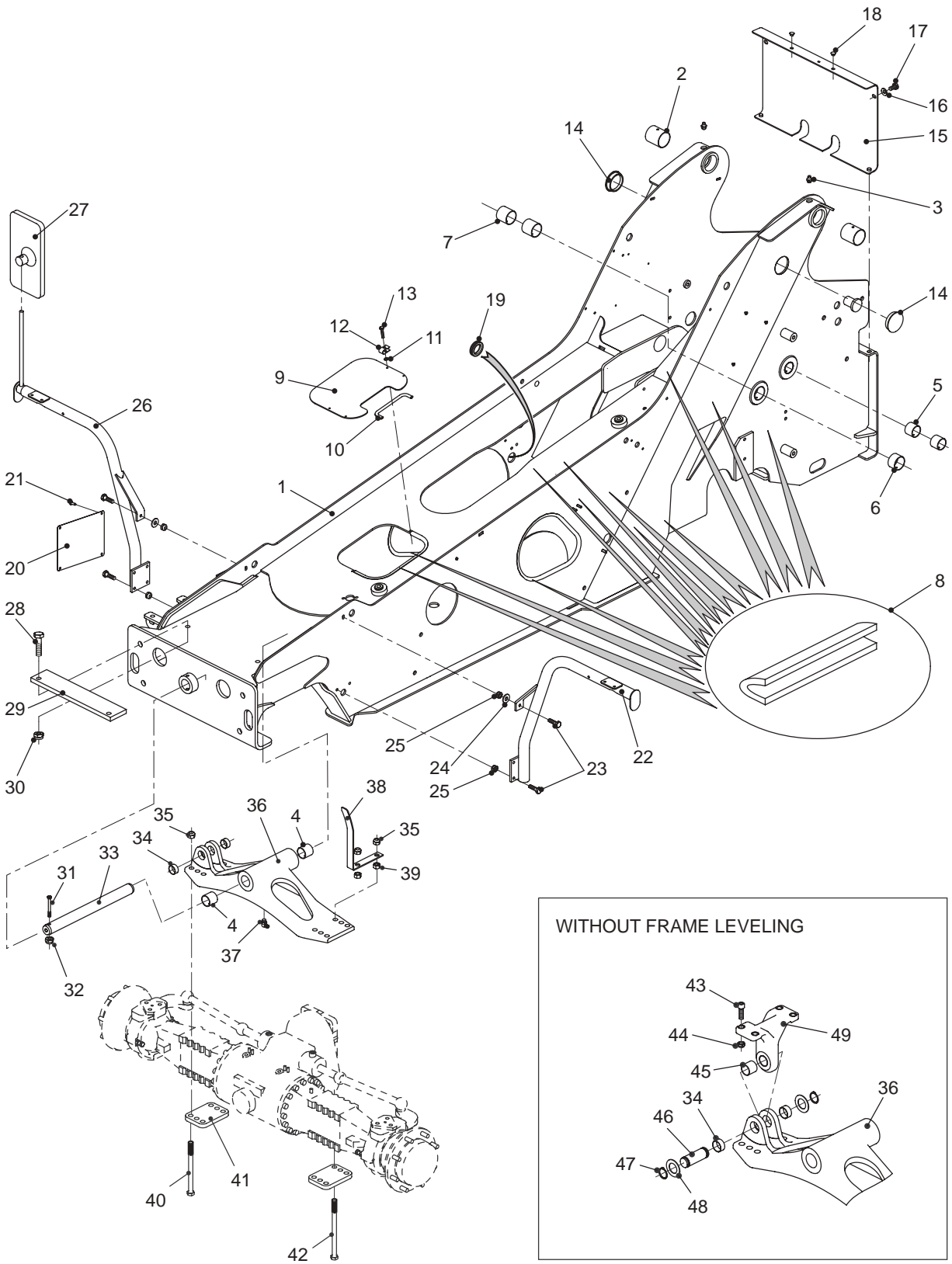
Intentionally left blank

T3571(L) Telescopic Handlers

S/N 3628 11001 & above

S/N 3629 11001 & above

Chassis



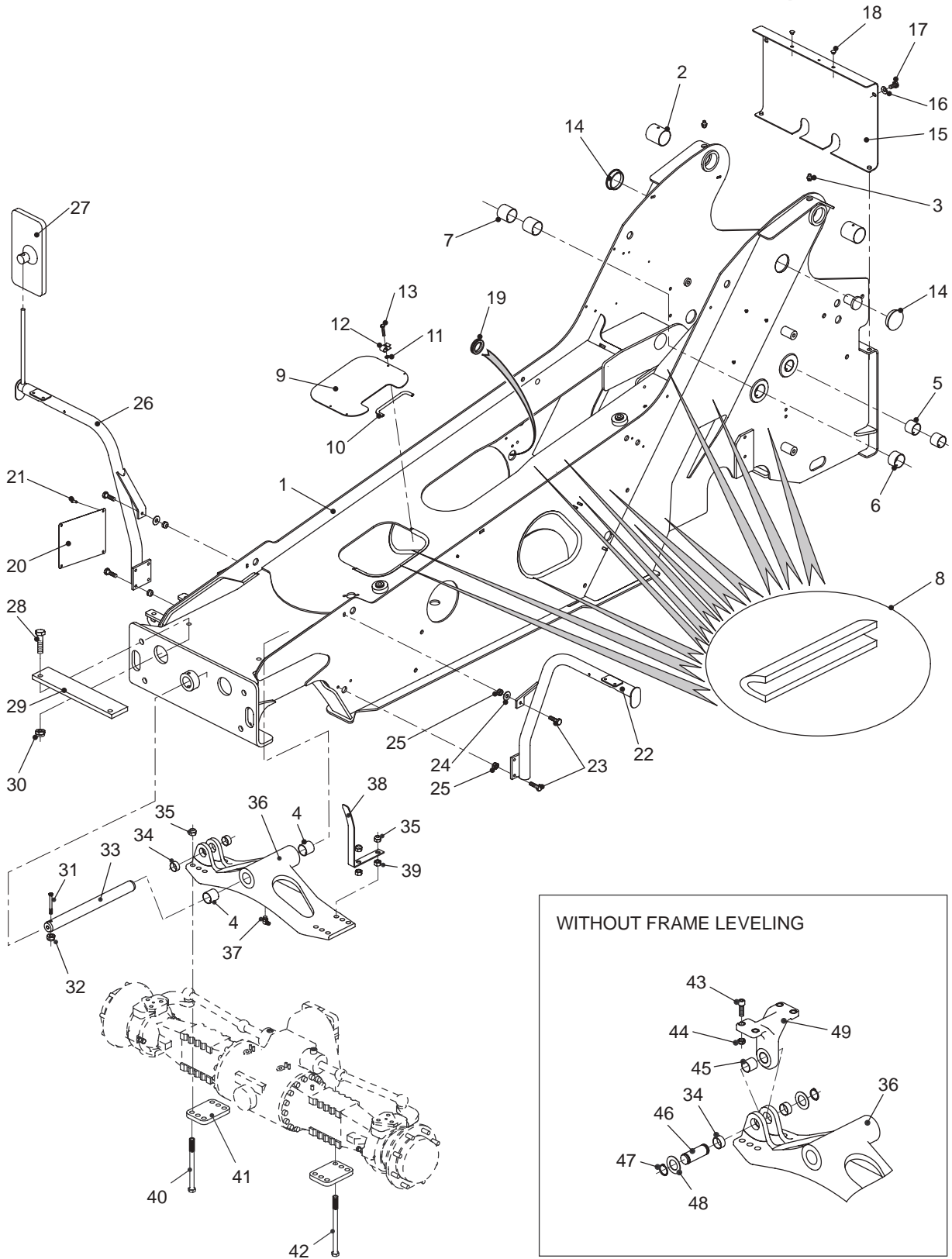
SPC001033

Chassis

Item	Part Number	Denomination	Remarks	Serial Number	Qty
1	6915048	Frame	Was 6914714		1
2	77380.4	Boom Pivot Bushing			2
3	01775.6	Grease Nipple			2
4	70811.5	Bush	Was 70811.5		2
5	6909439	Bush			2
6	77261.6	Bush	If necessary		1
7	70811.5	Bush			2
8	80919.4	Bush			3
9	79123.6	Plate			1
10	79129.3	Seal			1
11	13415.5	Washer			2
12	79124.4	Nut			2
13	010338-02X	Screw			2
14	6909712	Plug			2
15	6908248	Plate			1
16	01719.4	Washer			2
17	01604.8	Screw			2
18	57702.3	Plug			2
19	79288.7	Rubber mounting			2
20	95632.6	Serial No. plate			1
21	43824.2	Rivet			4
22	92088.4	Bracket, LH			1
23	01607.1	Screw			6
24	000350-21R	Washer			2
25	100345-09A	Nut			6
26	92085.0	Support			1
27	100432-51C	Mirror			1
28	01608.9	Screw			2
29	6913019	Arm stop			1
30	100345-09A	Nut			2
31	65397.2	Screw			1

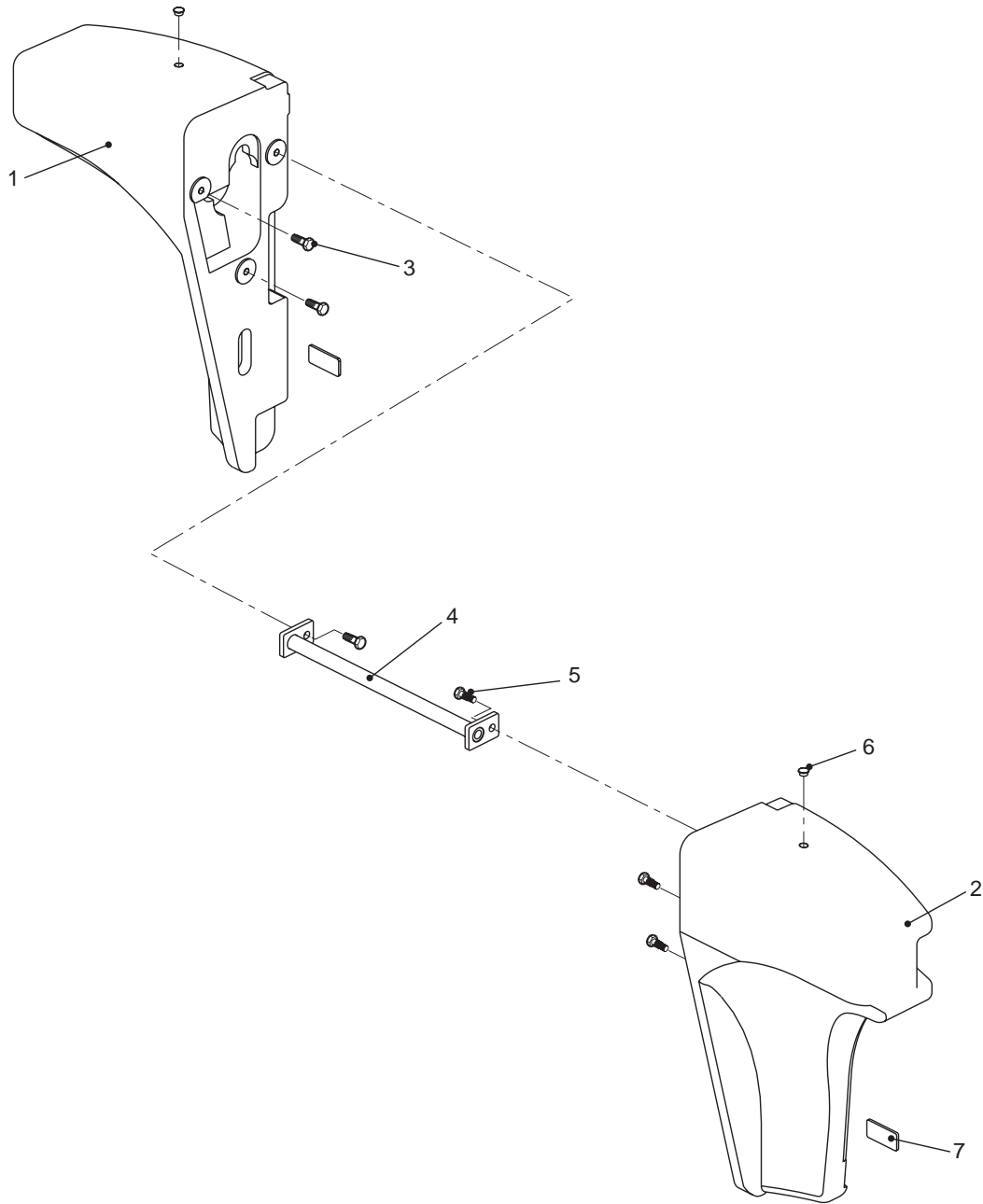
Chassis

Recurrence of previous drawing



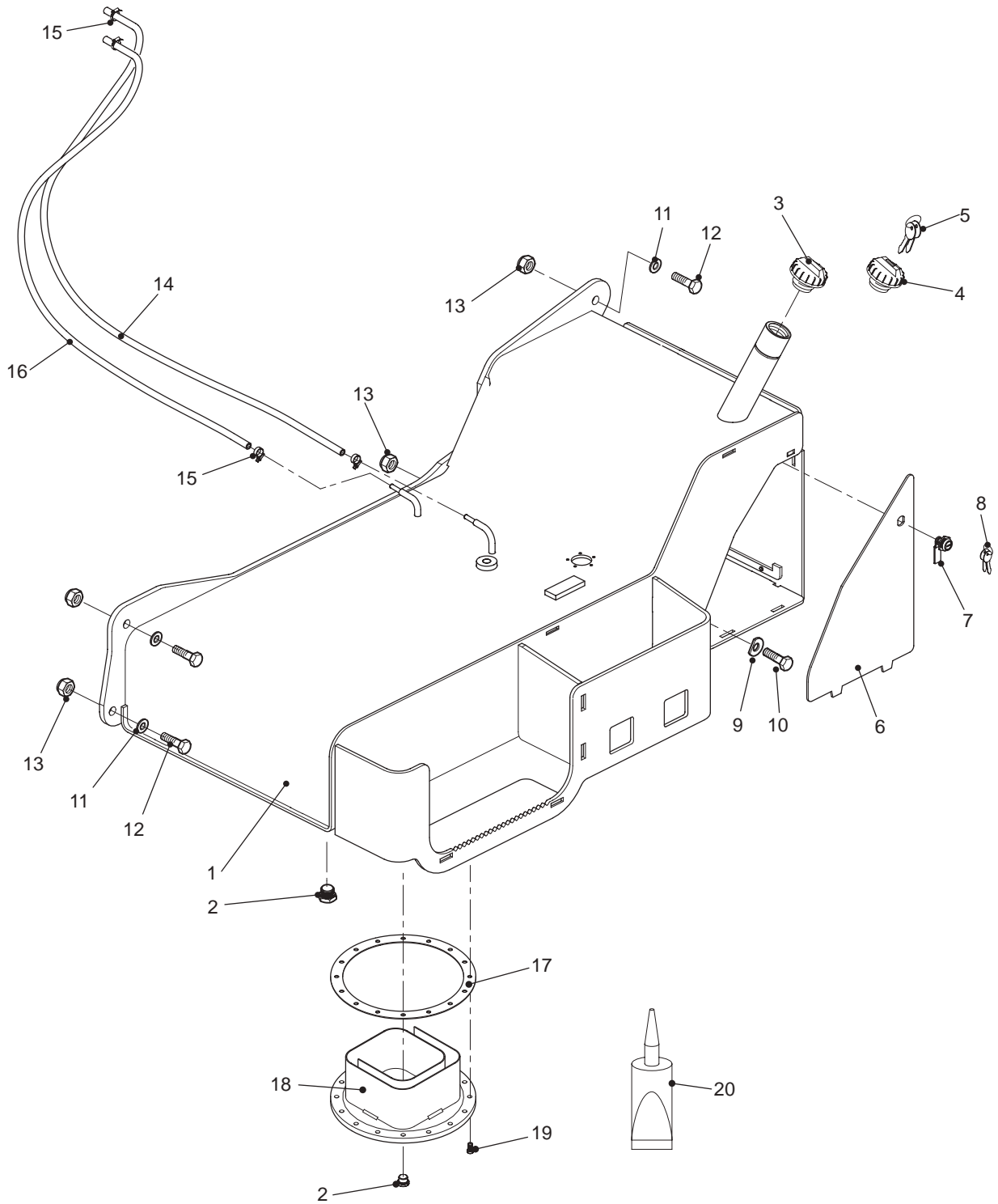
SPC001033

Ballast



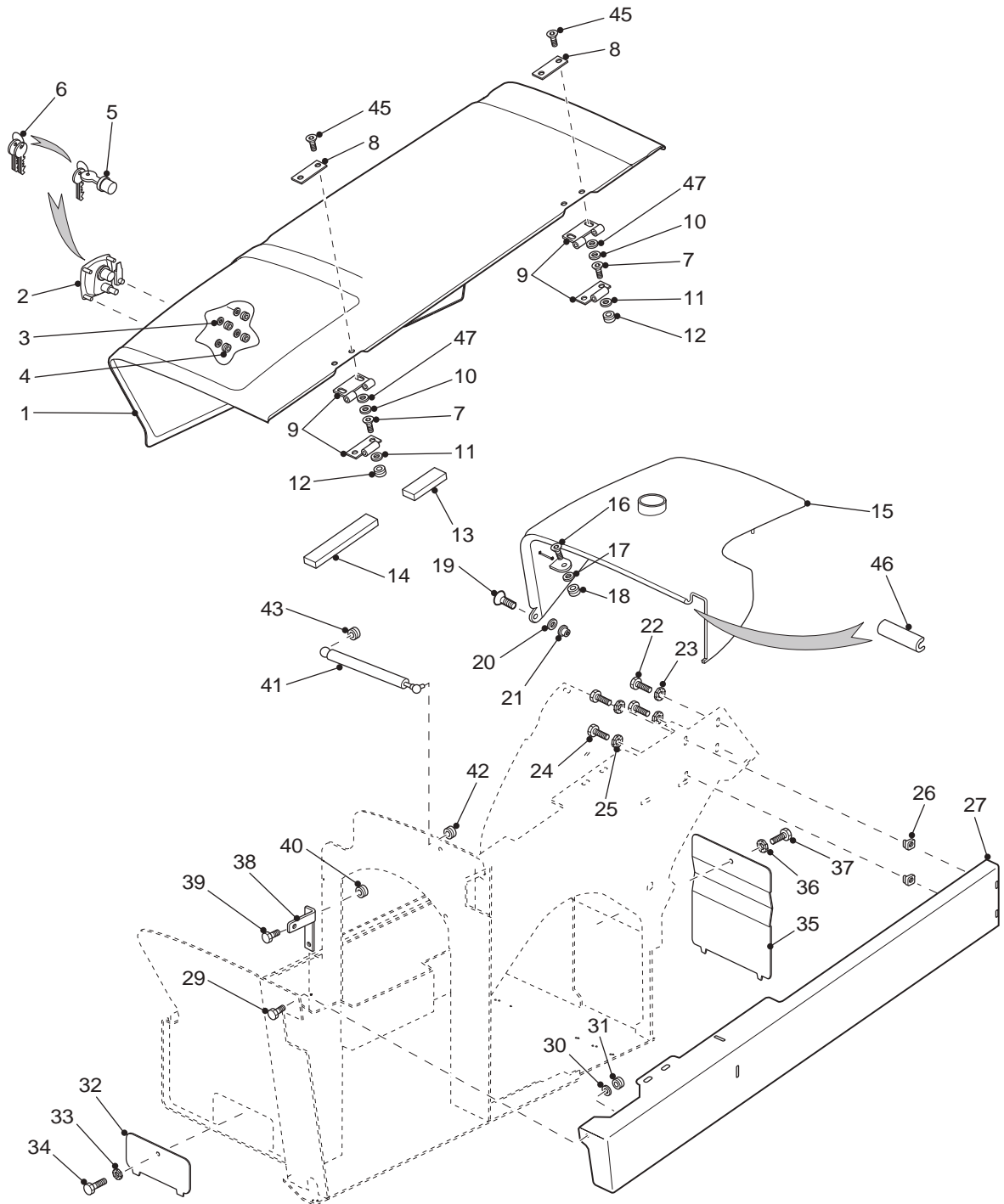
SPC001034

Fuel Tank Installation



SPC001035

Engine Cover



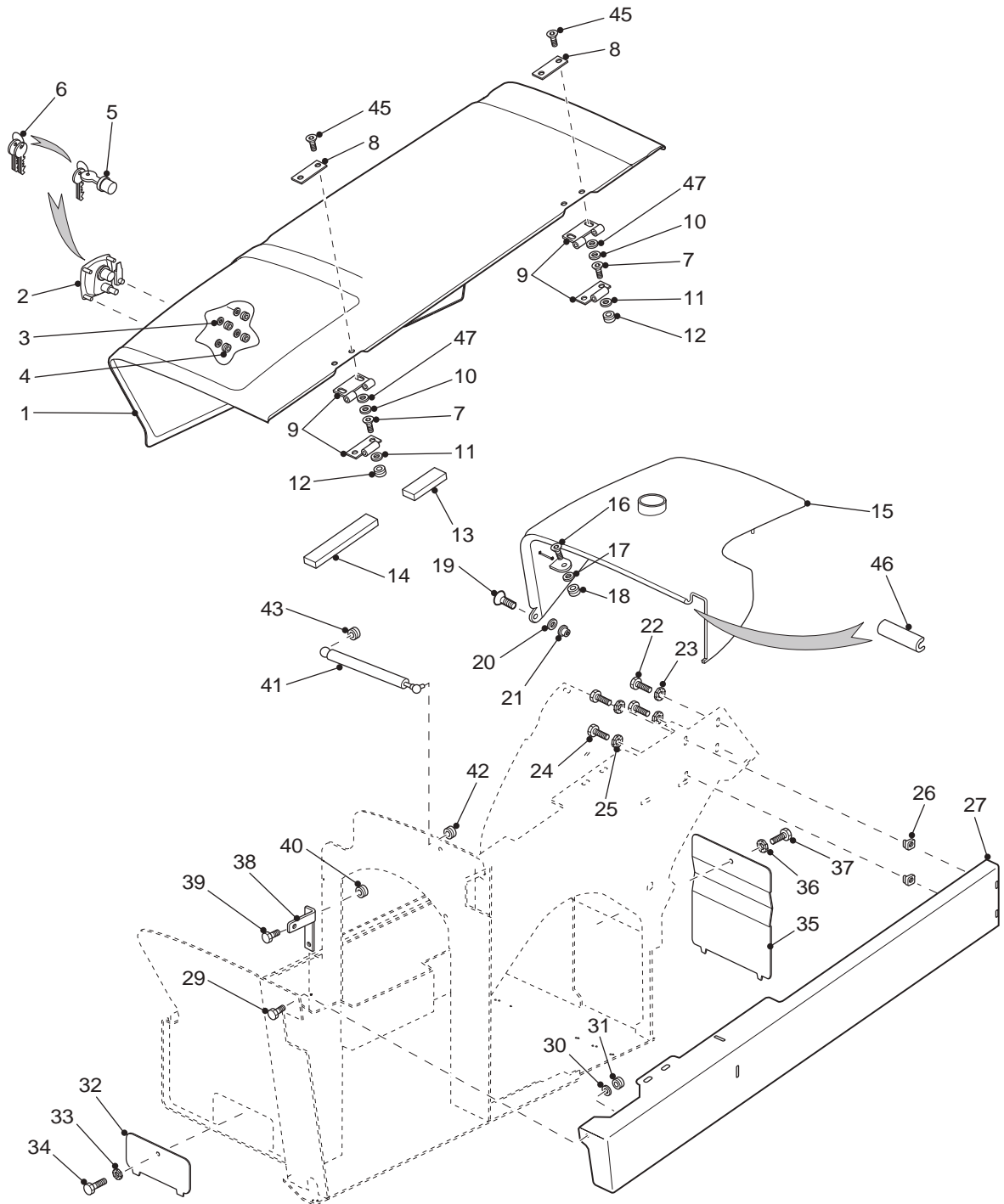
SPC001005

Engine Cover

Item	Part Number	Denomination	Remarks	Serial Number	Qty
1	98765.1	Engine cover	Pos. 1 + 2 + 8 + 9 + 45 ; Was 6910149 ; For details, see page 15		1
2	6909609	Lock, engine cover			1
3	13416.3	Washer			4
4	01666.7	Nut			4
5	NAP	Lock cylinder	Order now 6910557 ; Order Pos. 2		1
6	57189.3	Set of keys (ignition)			1
7	000324-65N	Screw			8
8	6909020	Plate			2
9	6912485	Hinge			2
10	01682.4	Nut			4
11	000350-03W	Washer			4
12	100345-09A	Nut			4
13	6914748	Seal	Was 6912496		1
14	6914748	Seal	Was 6912495		1
15	98777.6	Cover	Pos. 15 ; For details, see page 15		1
16	01597.4	Screw			1
17	000350-02V	Washer			1
18	51851.4	Nut			1
19	71825.4	Screw			1
20	000350-02V	Washer			1
21	51851.4	Nut			1
22	01597.4	Screw			2
23	01718.6	Washer			2
24	01597.4	Screw			2
25	01718.6	Washer			2
26	015369-50X	Nut			2
27	6911253	Sill plate			1
29	01597.4	Screw			1
30	000350-02V	Washer			1
31	51851.4	Nut			1
32	6908165	Plate, engine basket, rear			1

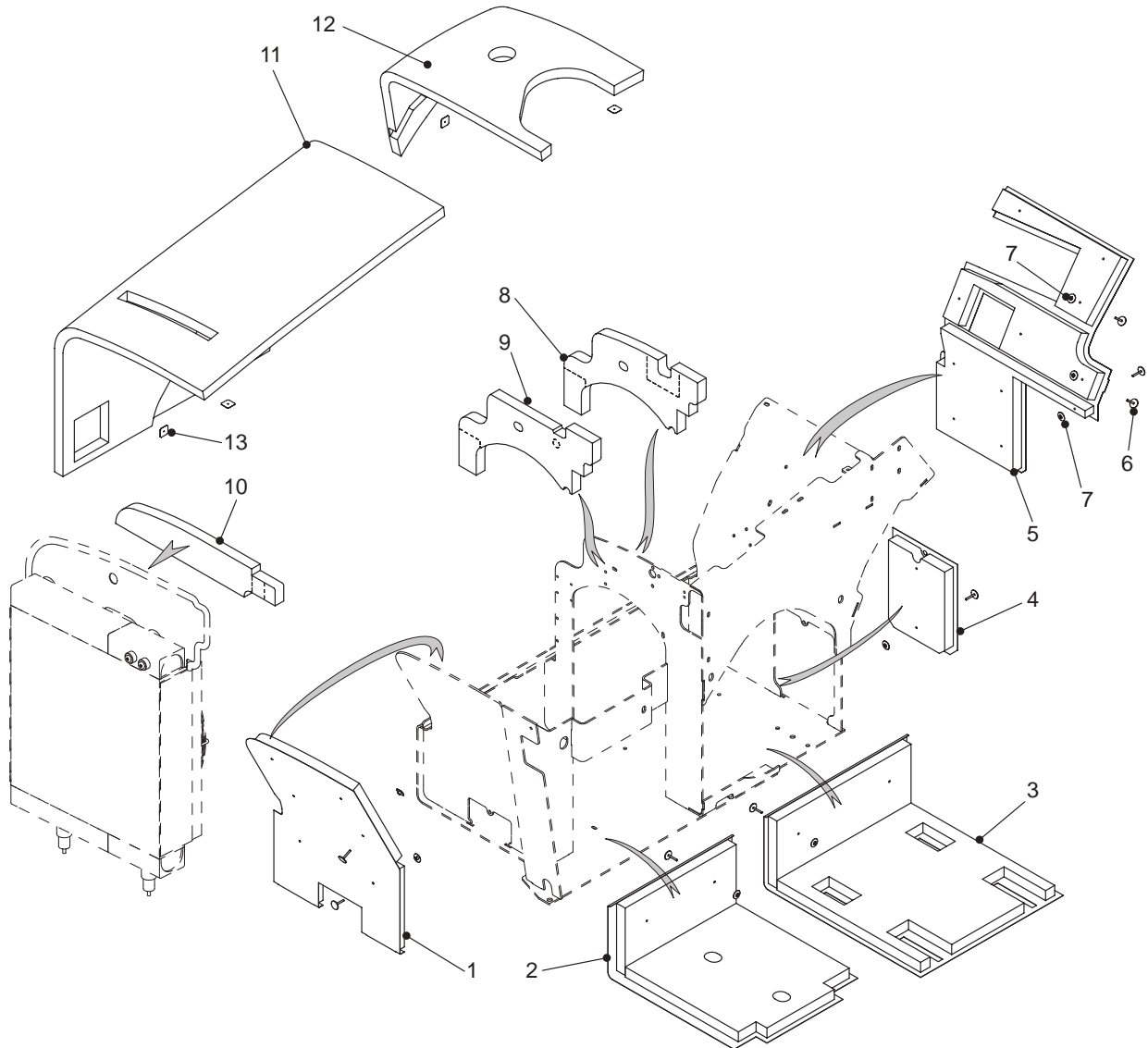
Engine Cover

Recurrence of previous drawing



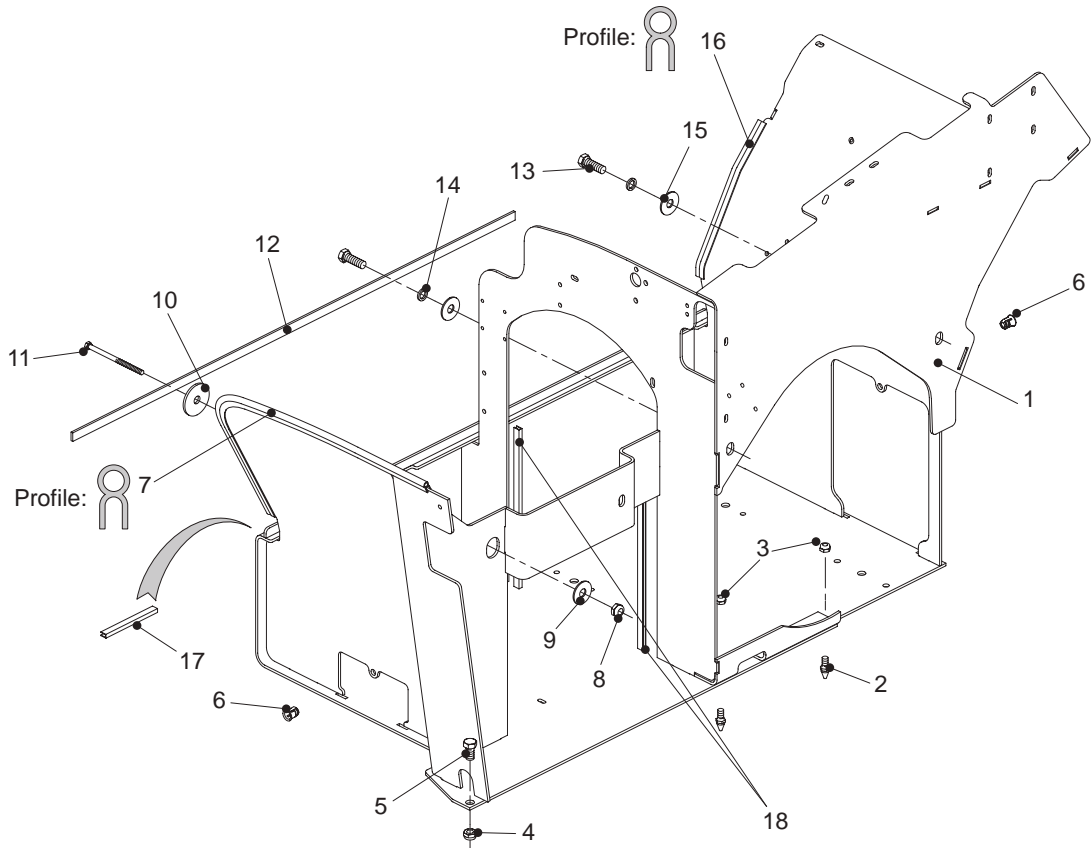
SPC001005

Engine Sound Proofing



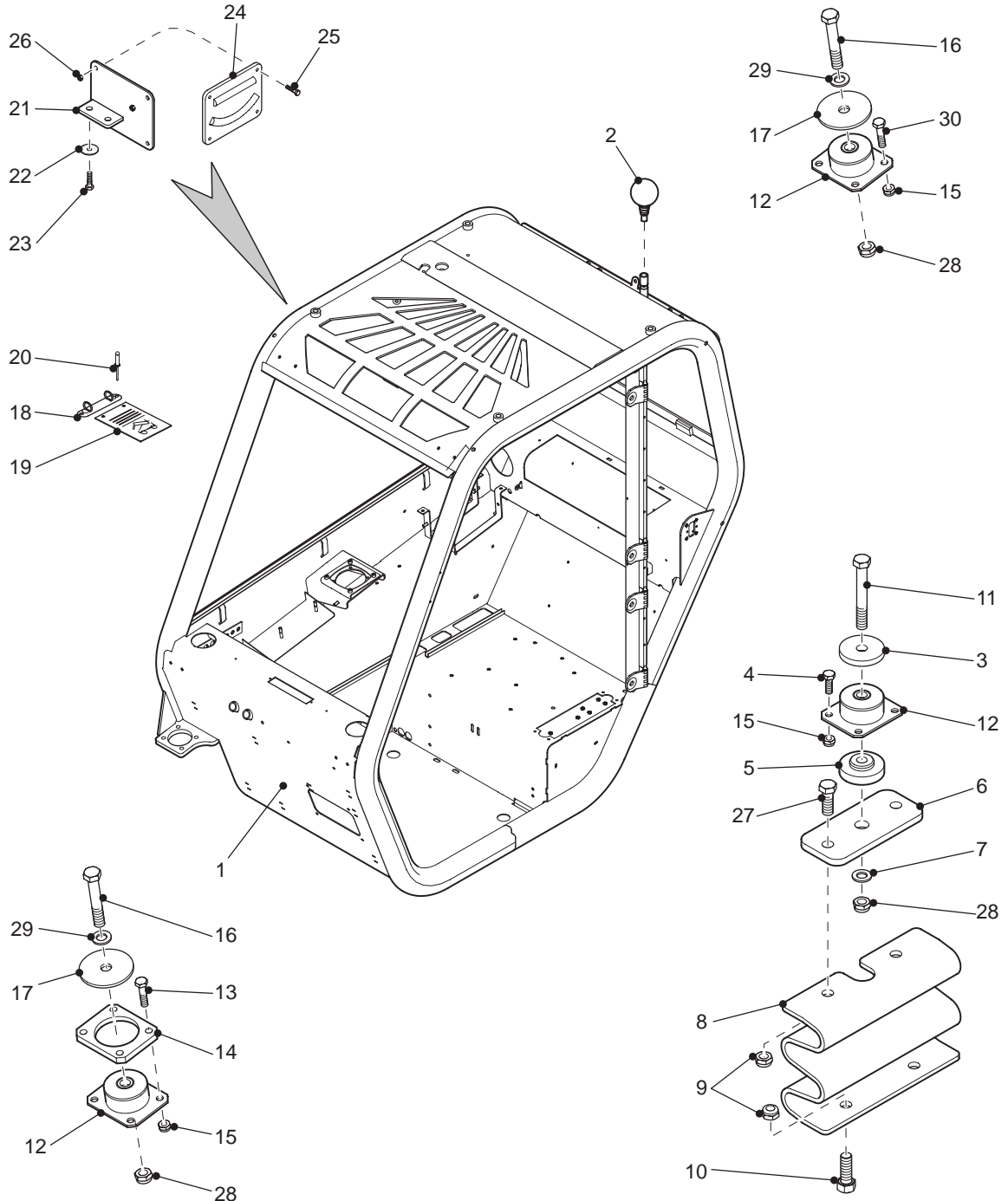
SPC001006

Engine Basket



SPC001007

Cab & Fixations

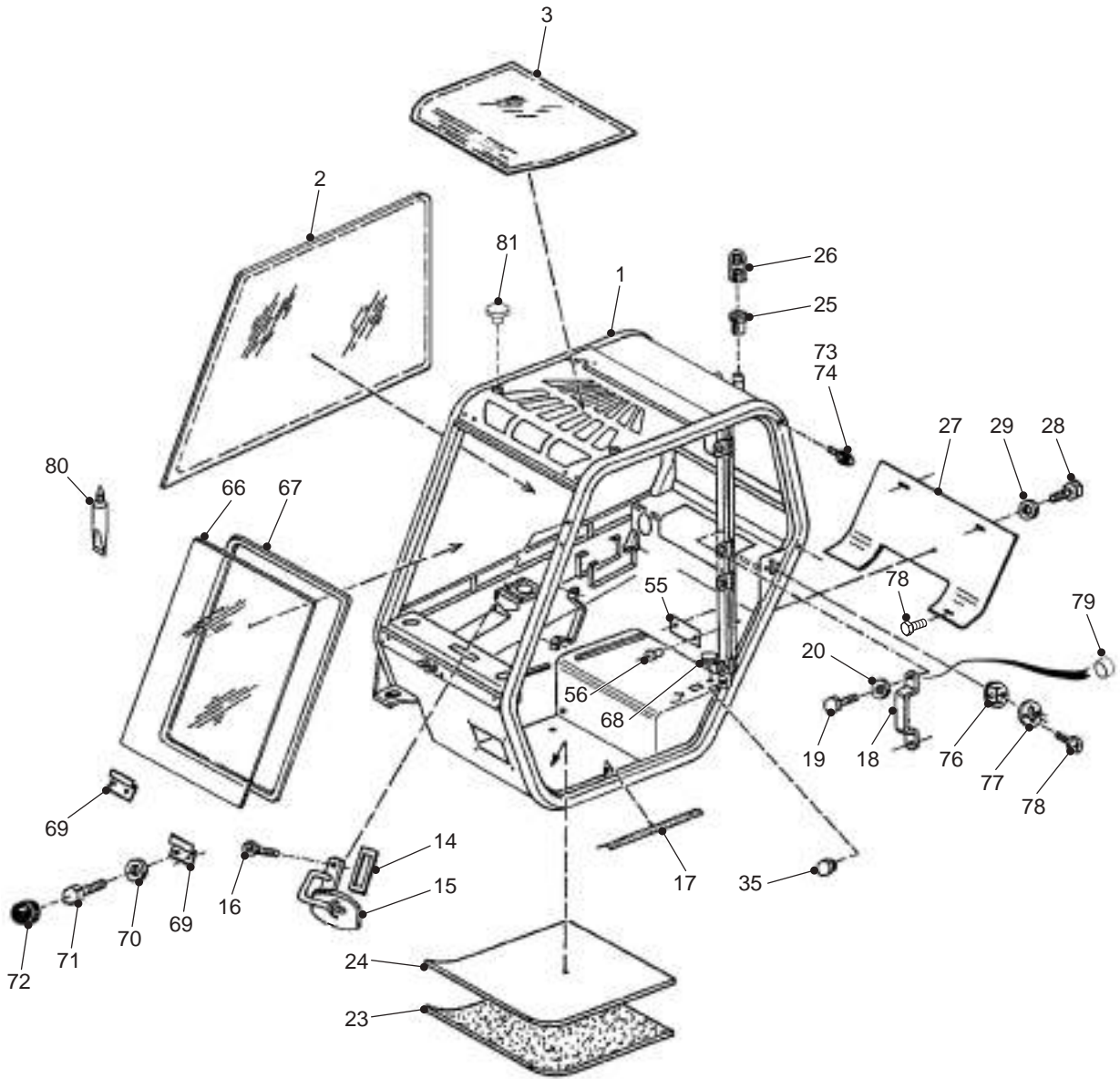


SPC001045

Cab & Fixations

Item	Part Number	Denomination	Remarks	Serial Number	Qty
1		Cab			1
2	78817.4	Rotating Beacon Light	Option		1
3	79879.3	Washer			1
4	01606.3	Screw			8
5	79872.8	Spacer			1
6	78867.9	Support			1
7	01701.2	Washer			1
8	78856.2	Plate			1
9	100345-16H	Nut			4
10	01547.9	Screw			2
11	100338-07M	Screw			1
12	78021.3	Shock Absorber			3
13	79868.6	Shim			1
14	10944.7	Screw			4
15	100345-09A	Nut			12
16	66716.2	Screw			2
17	95704.3	Washer			2
18	78863.8	Support			1
19		Index card			1
20	79864.5	Screw			2
21	92303.7	Bracket	Only with frame leveling		1
22	94574.1	Washer	Only with frame leveling		2
23	15354.4	Screw	Only with frame leveling		2
24	100416-32S	Inclinometer	Only with frame leveling		1
25	01657.6	Screw	Only with frame leveling		3
26	100345-04U	Nut	Only with frame leveling		3
27	01549.5	Screw			2
28	100345-15G	Nut			3
29	01701.2	Washer			3
30	01607.1	Screw			4

Cab Assy



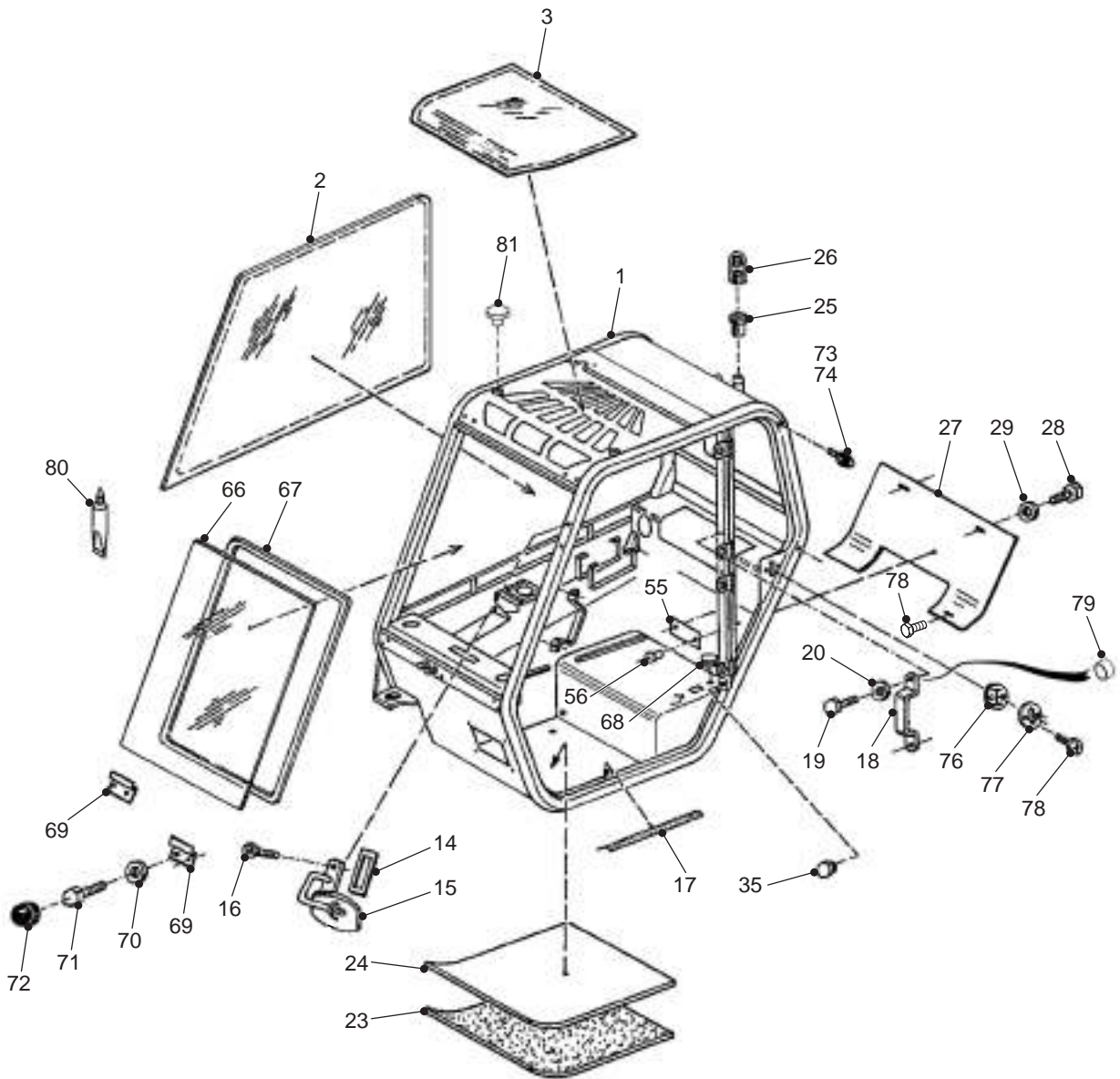
SPC001009

Cab Assy

Item	Part Number	Denomination	Remarks	Serial Number	Qty
1	6963094	Frame			1
2	6908788	Glass, right side			1
3	6908786	Glass, roof			1
14	NSS	Connection	Order now 6910557 ; Order Pos. 15		1
15	79903.1	Mirror LH	Pos. 14 + 15		1
16	6909997	Screw			2
17	6915508	Non-skid	Was 6564833		1
18	63349.5	Handle			2
19	01591.7	Screw			4
20	94574.1	Washer			4
23	6915519	Mat	Was 97089.7		1
24	97088.9	Mat			1
25	78818.2	Connection			1
26	78819.0	Gyrolight plug			1
27	96074.0	Cover			1
28	01590.9	Screw			3
29	29272.2	Washer			3
35	6910931	Plug			1
55	6809599	Plate			1
56	6909959	Rivet			2
66	6908790	Windshield			1
67	75944.9	Seal			1
68	6910930	Guide			1
69	6971665	Support			2
70	01696.4	Washer			4
71	01590.9	Screw			4
72	63332.1	Cap			4
73	6910542	Rubber stop			2
74	6910932	Nut			2
76	6910933	Spacer			1
77	6910934	Plate			1

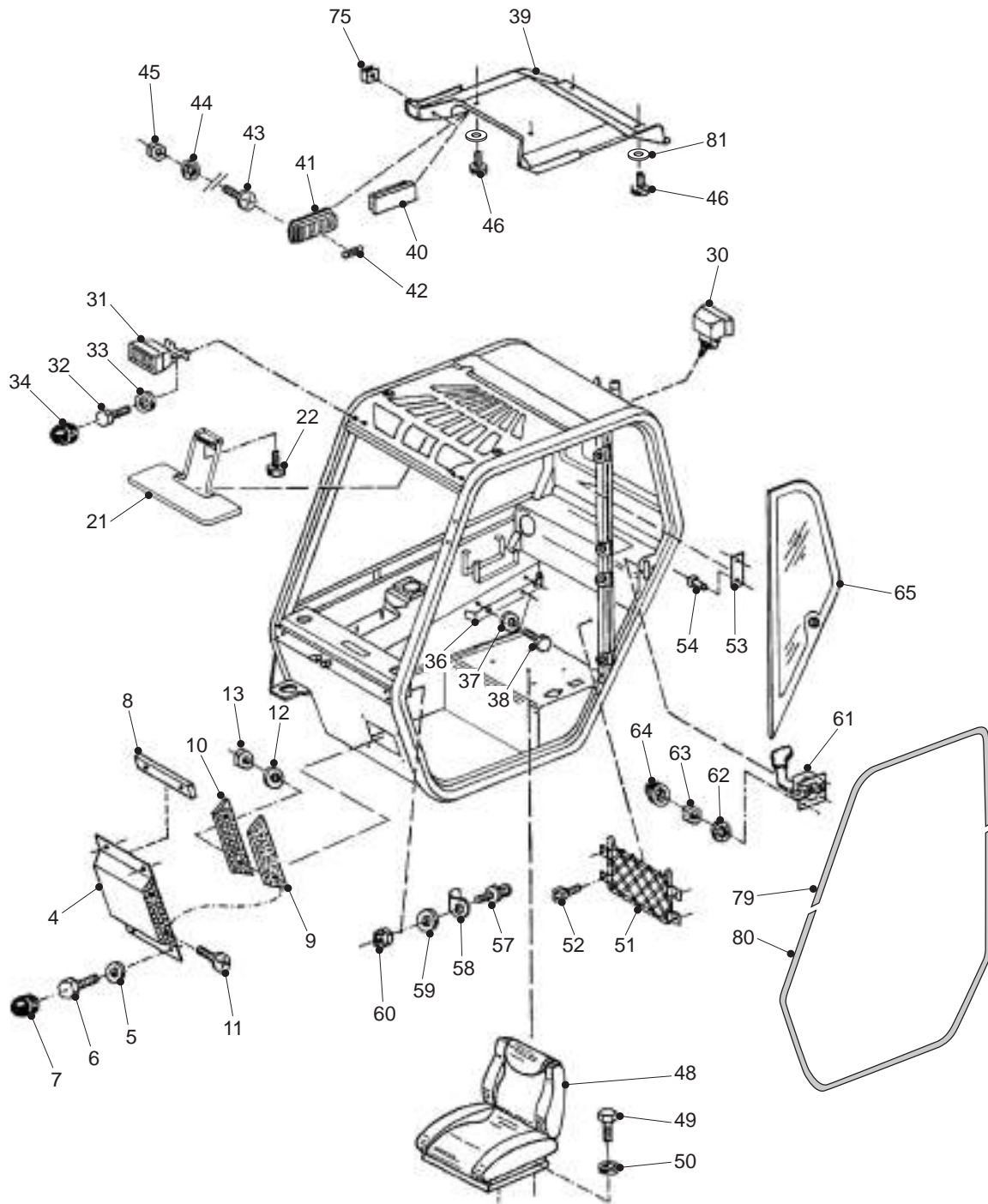
Cab Assy

Recurrence of previous drawing



SPC001009

Cab Assy II



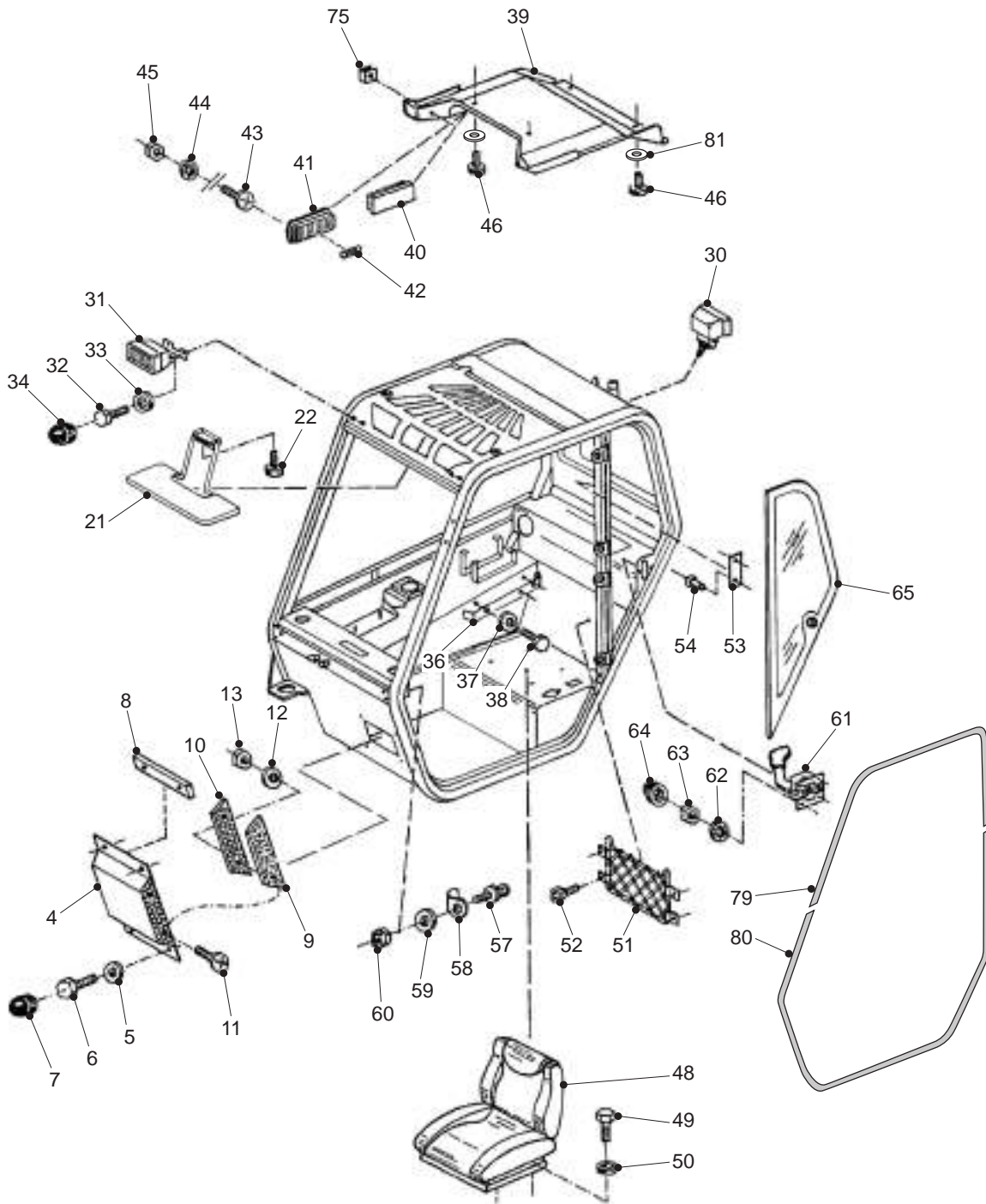
SPC001010

Cab Assy II

Item	Part Number	Denomination	Remarks	Serial Number	Qty
4	6910503	Box filter			1
5	01696.4	Washer			4
6	01590.9	Screw			4
7	63332.1	Cap			4
8	6910504	Seal			1.00m
9	6910502	Cab filter			2
10	6910929	Internal grille			2
11	6910505	Screw			4
12	61378.6	Washer			4
13	01664.2	Nut			4
21	79902.3	Sunshade			1
22	6910697	Screw			1
30	78816.6	Rear Worklight	Was 6909970		1
31	78815.8	Front worklight	Was 6909971		2
	58446.6	Bulb			3
32	01591.7	Screw			4
33	29272.2	Washer			4
34	63332.1	Cap			4
36	97504.5	Bracket			1
37	01717.8	Washer			2
38	100338-23F	Screw			2
39	6910878	Roof cowling			1
40	79581.5	Cover			1
41	101438-93V	Dome Light			1
42	01443.1	Bulb			1
43	6910505	Screw			2
44	007346-02F	Washer			2
45	100345-04U	Nut			2
46	34214.7	Screw			5
48	6911769	Seat assy	For details, see page 29		1
49	01596.6	Screw			4

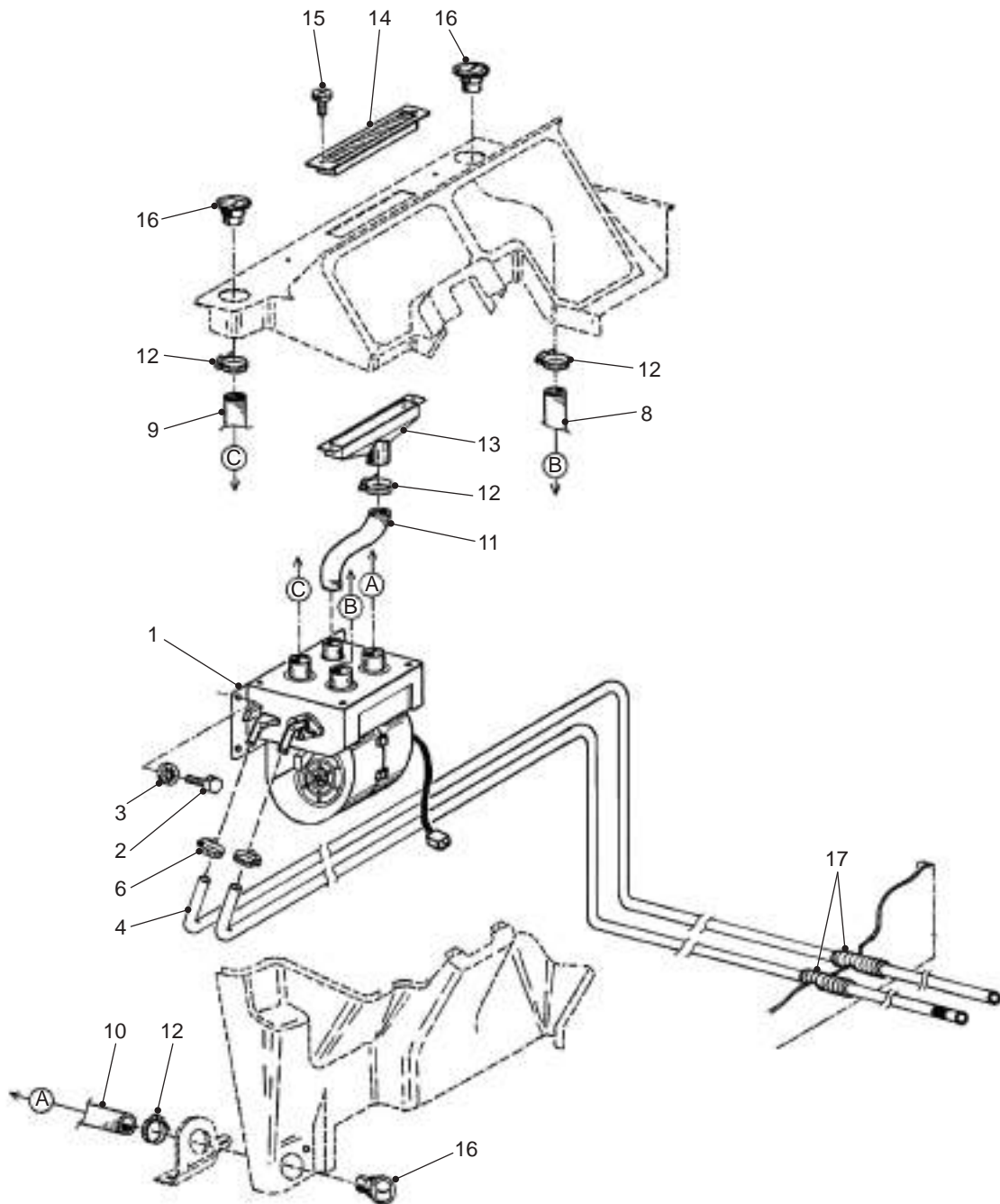
Cab Assy II

Recurrence of previous drawing



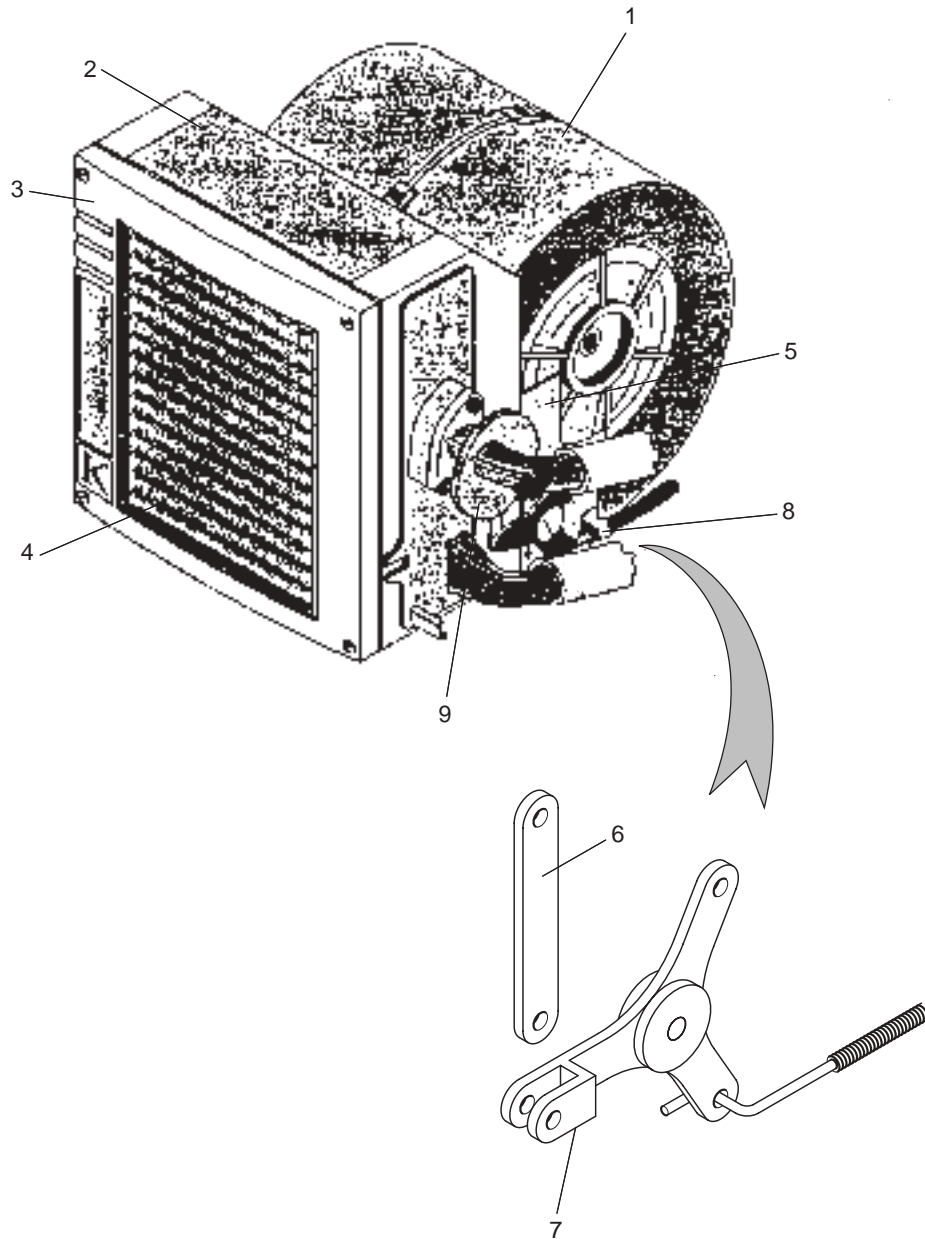
SPC001010

Heating/ventilation Installation



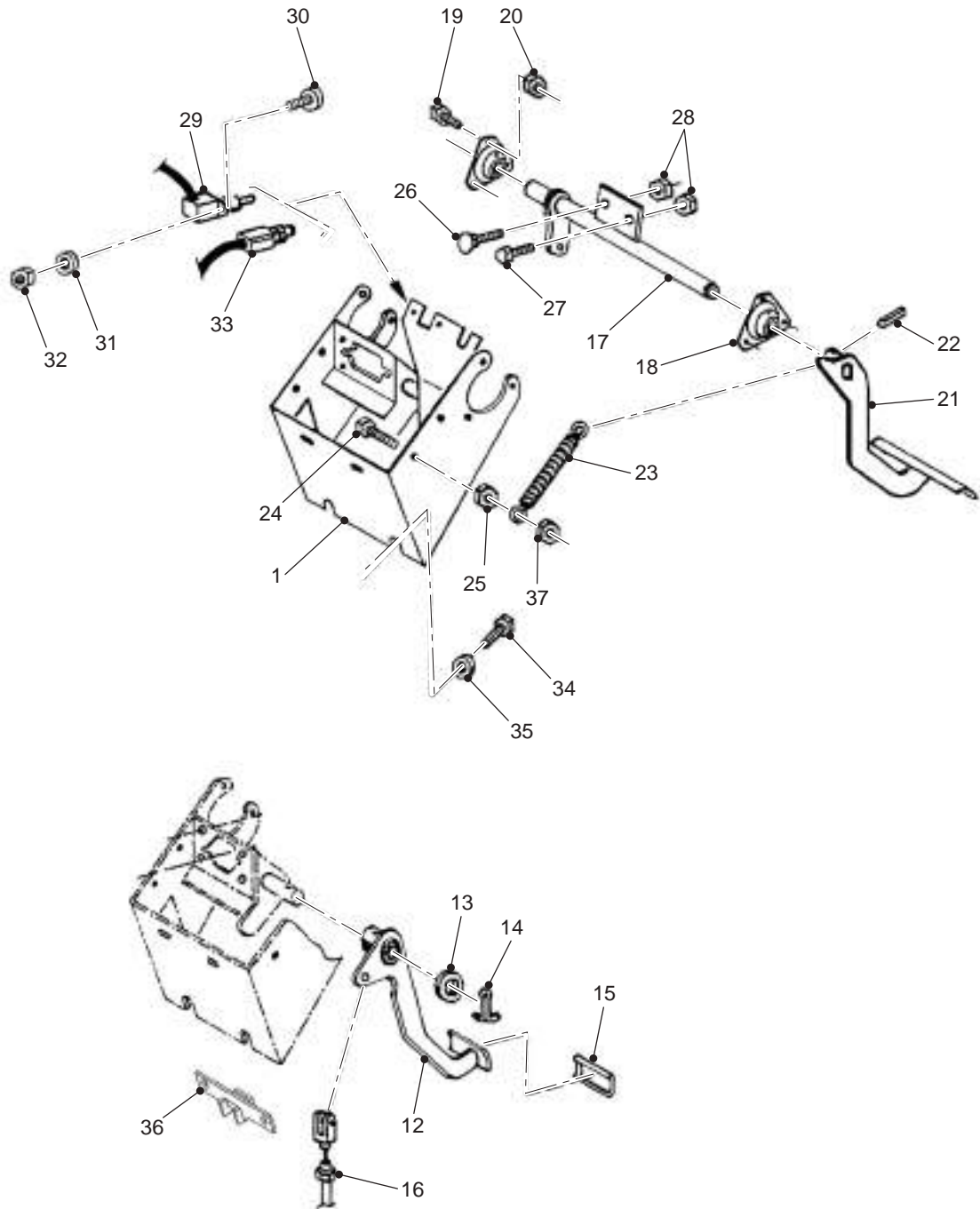
SPC001012

Heating/ventilation Fan Assy



SPC001013

Pedals Installation

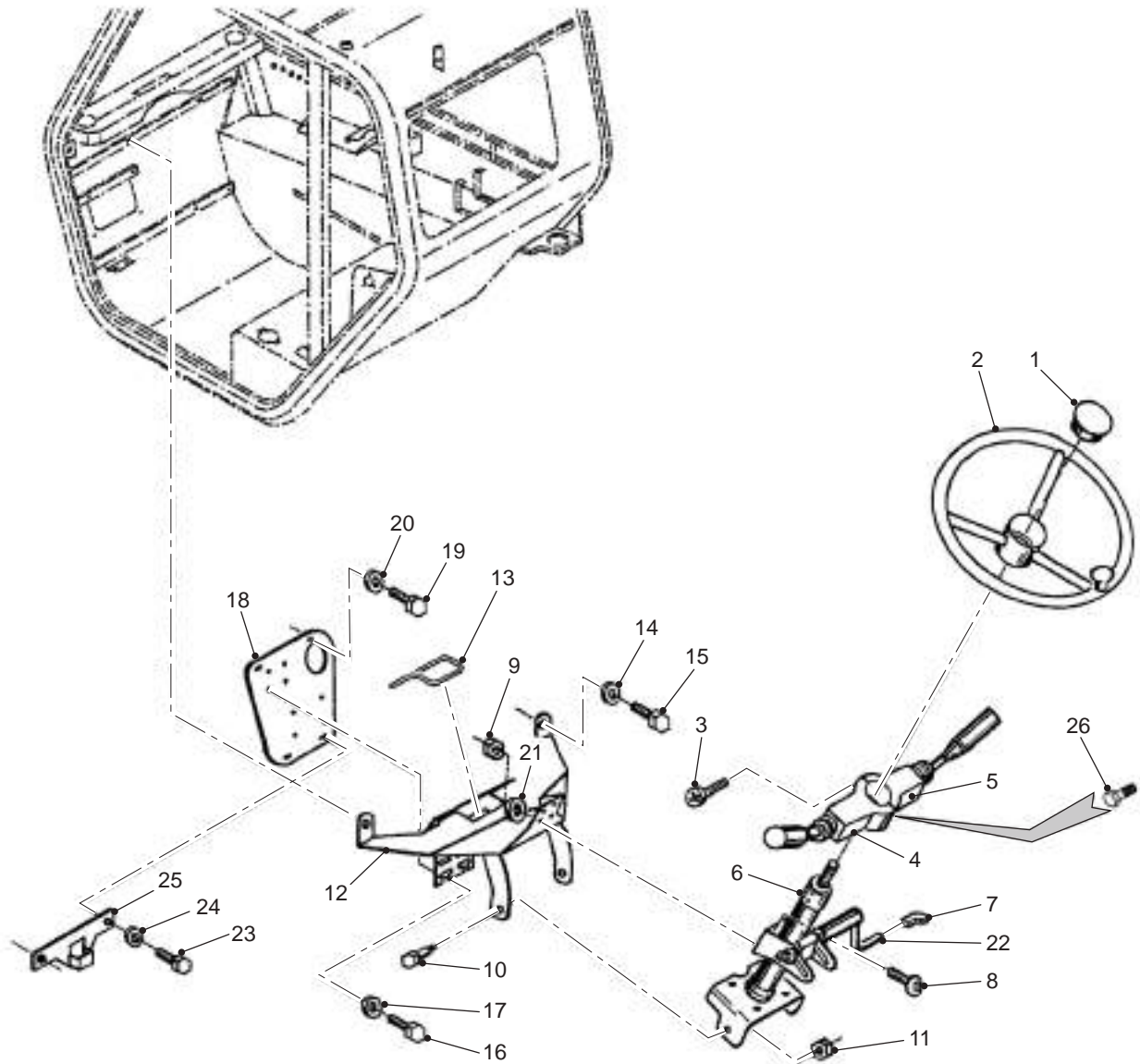


SPC001014

Pedals Installation

Item	Part Number	Denomination	Remarks	Serial Number	Qty
1	96089.8	Support			1
	01596.6	Screw			4
	01697.2	Washer			4
12	6908480	Pedal			1
13	000350-08C	Washer			1
14	01754.1	Pin			1
15	59893.8	Brake pedal pad			1
16	98240.5	Throttle Cable			1
17	6908479	Pedal shaft			1
18	77919.9	Bracket			2
19	01605.5	Screw			6
20	100345-09A	Nut			6
21	6908478	Brake pedal			1
22	01736.8	Pin			1
23	01124.7	Spring			1
24	01608.9	Screw			1
25	01669.1	Nut			1
26	62185.4	Screw			1
27	01597.4	Screw			1
28	51851.4	Nut			2
29	6909383	Inching switch (detector)			1
30	01478.7	Screw			2
31	6910952	Washer			2
32	100345-05V	Nut			2
33	6909324	Service brake switch			1
34	01596.6	Screw			4
35	01697.2	Washer			4
36	6910649	Abutment			1
37	100345-09A	Nut			1

Steering Column Installation

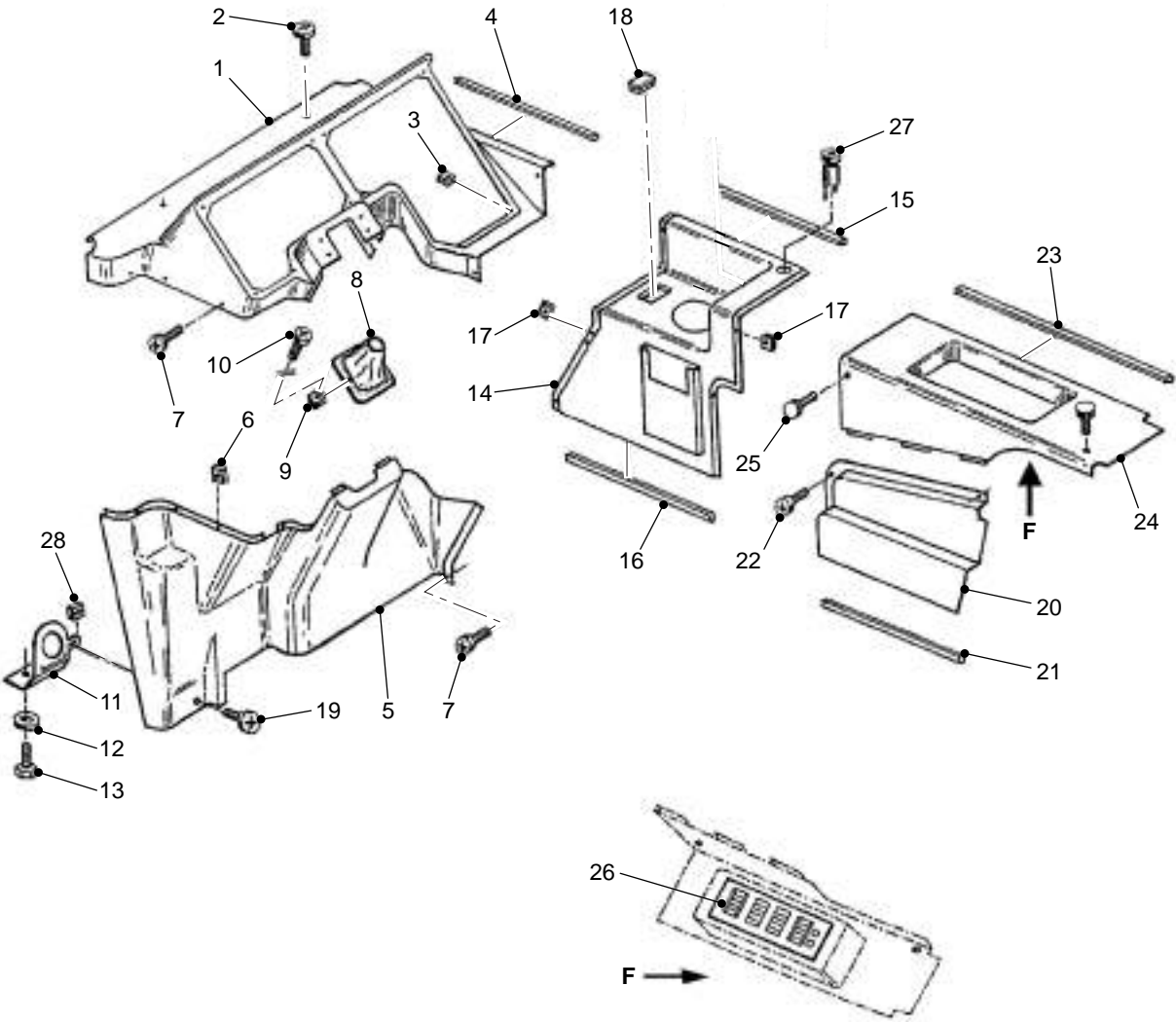


SPC001015

Steering Column Installation

Item	Part Number	Denomination	Remarks	Serial Number	Qty
1	94018.9	Steering wheel cap			1
2	6908477	Steering wheel			1
3	6909993	Screw			2
4	98241.3	Reverser			1
5	98242.9	Drive/lighting control lever			1
6	6908476	Steering column			1
7	97502.9	Knob, steering column adjust			1
8	63359.4	Screw			4
9	51851.4	Nut			4
10	97210.9	Pin			2
11	51851.4	Nut			2
12	6915747	Support	Was 97503.7		1
13	6909935	Seal			1
14	01697.2	Washer			2
15	01596.6	Screw			2
16	01596.6	Screw			4
17	01697.2	Washer			4
18	6909977	Plate			1
19	01596.6	Screw			4
20	01697.2	Washer			4
21	01697.2	Washer			4
22	97501.1	Handle, steering column adjustment			1
23	01597.4	Screw			2
24	01697.2	Washer			2
25	6910649	Abutment			1
26	6909993	Screw			2

Cowling Installation

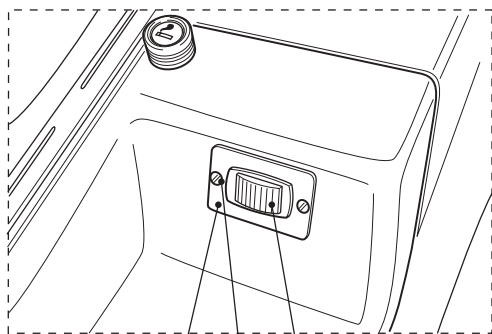
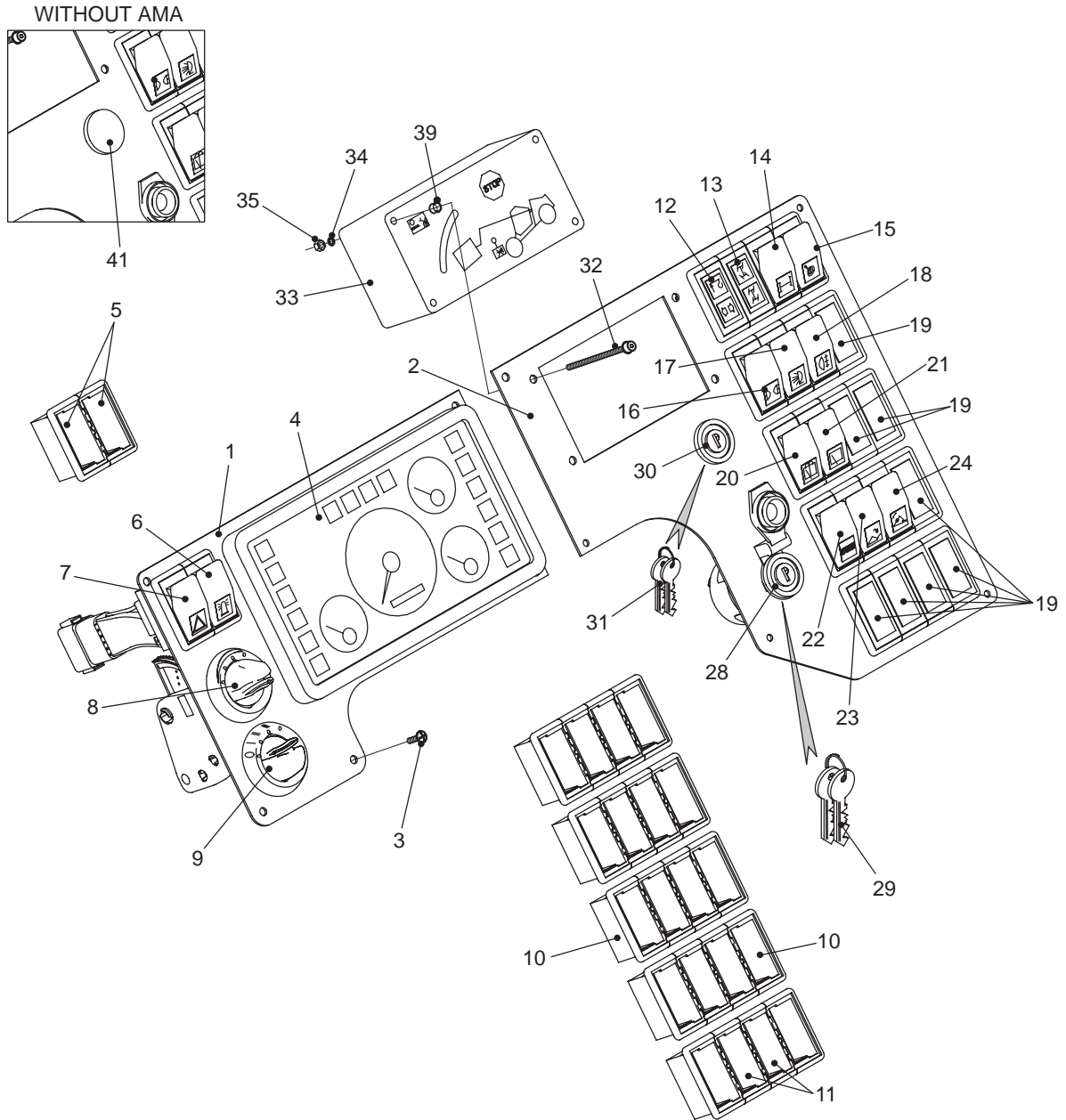


SPC001016

Cowling Installation

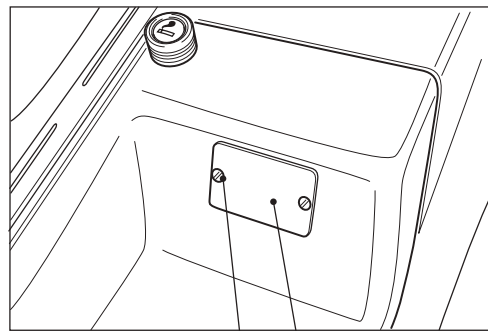
Item	Part Number	Denomination	Remarks	Serial Number	Qty
1	6910882	Dash cowling			1
2	79864.5	Screw			3
3	6909903	Clip			10
4	6909930	Seal			1
5	6910883	Steering column cowling			1
6	6909903	Clip			9
7	6910505	Screw			9
8	6909973	Bellow steering column			1
9	6909903	Clip			2
10	6909995	Screw			2
11	6914561	Lower support	Was 6909974		1
12	05698.6	Washer			2
13	01590.9	Screw			2
14	6912458	Joystick cowling			1
15	6909931	Seal			1
16	6909933	Seal			1
17	6909903	Clip			5
18	6909904	Cover			1
19	100331-01U	Screw			1
20	6910881	Fuse panel side cowling			1
21	6909932	Seal			1
22	6910505	Screw			2
23	6909934	Seal			1
24	6910879	Fuse panel top cowling			1
25	6909910	Button			2
26	6912455	Adhesive			1
27	97096.2	Cigarette Lighter			1
28	6914086	Nut			1

Control Panel Switches



36 37 38

WITHOUT FRAME LEVELING



37 40

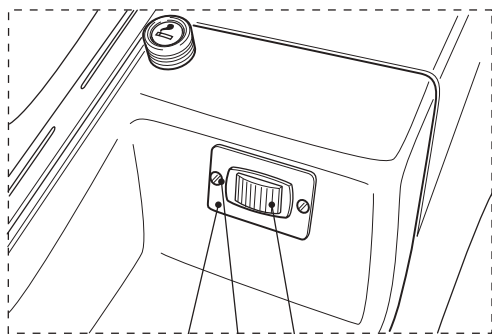
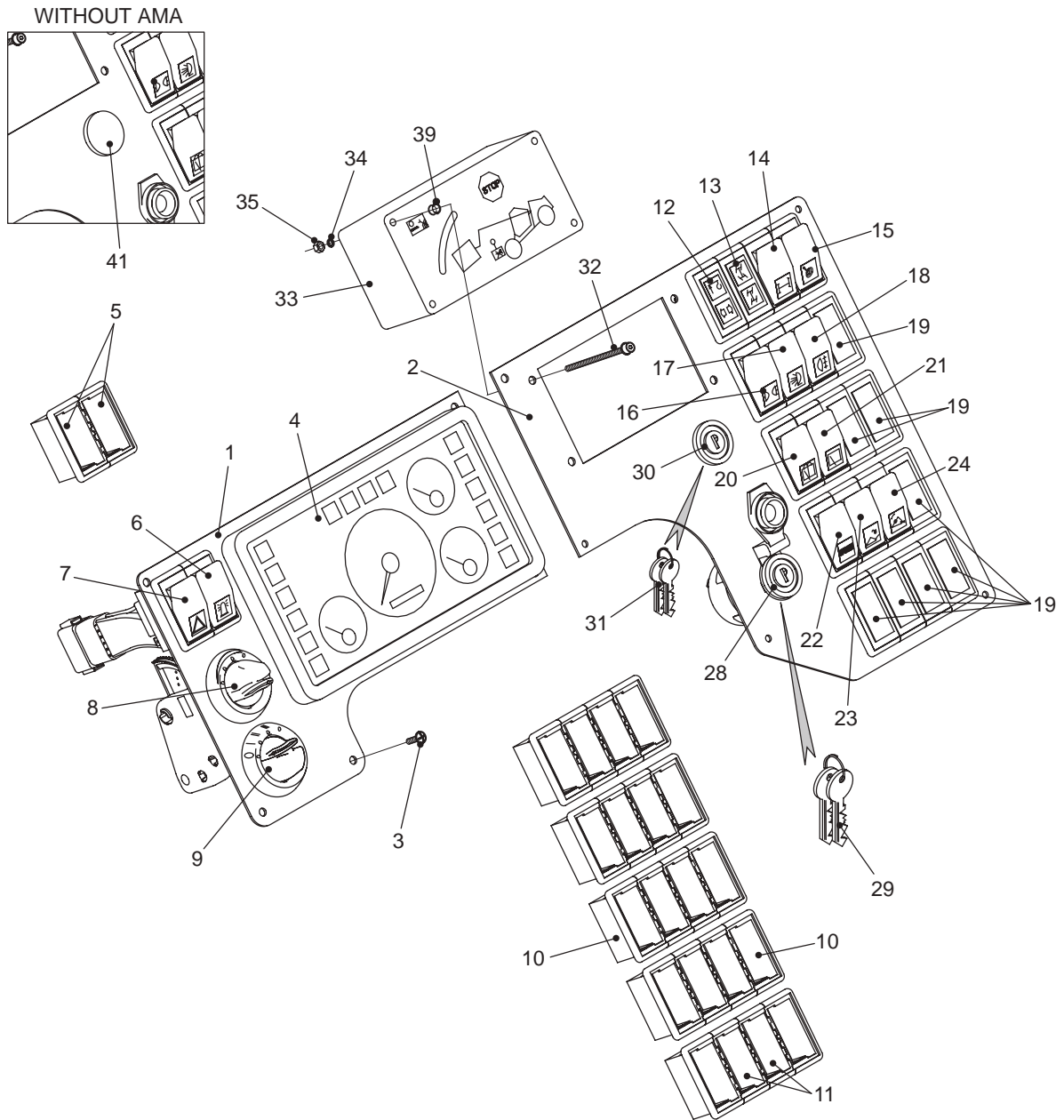
SPC001046

Control Panel Switches

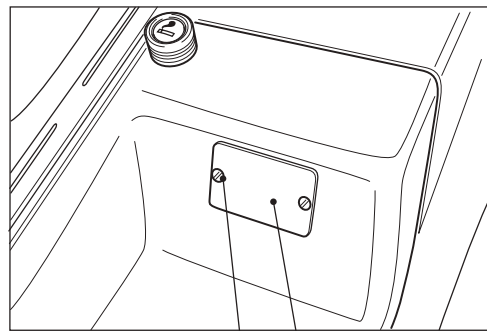
Item	Part Number	Denomination	Remarks	Serial Number	Qty
1	96080.7	L.H. control panel plate			1
2	6914170	R.H. control panel plate	Was 6910511		1
3	6910505	Screw			10
4	6909356	Instrument panel			1
5	80220.7	Bezel	Pos. 6 + 7		2
6	96591.3	Switch, beacon light			1
7	96590.5	Warning Switch			1
8	96609.3	Heating Control Valve			1
9	96608.5	Fan Speed Switch			1
10	80220.7	Bezel	For outer left and right positions		10
11	80221.5	Bezel	For middle positions		10
12	96595.4	Trailer turn indicator			1
13	96594.7	Steering mode indicator			1
14	96593.9	Steering mode switch			1
15	96592.1	Lever Switch			1
16	96600.2	Switch, head lamp			1
17	96601.0	Working light switch			1
18	96597.0	Fog light switch			1
19	65784.1	Blank Plug			8
20	96602.8	Switch, rear wiper/washer			1
21	96603.6	Switch, roof wiper	Option		1
22	97519.3	Switch, transmission mode			1
23	6911728	Locking switch	Was 96606.9		1
24	6910895	Switch, aux. hydr.			1
28	55438.6	Ignition Switch	Pos. 28 + 29		1
29	57189.3	Set of keys (ignition)			1
30	97885.8	Knob block	Pos. 30 + 31		1
	97886.6	Knob head			1
31	97054.1	Set of keys			1
32	68566.9	Screw			4
33	6913764	Stability indicator and wire harness	Was 6913047		1

Control Panel Switches

Recurrence of previous drawing



WITHOUT FRAME LEVELING

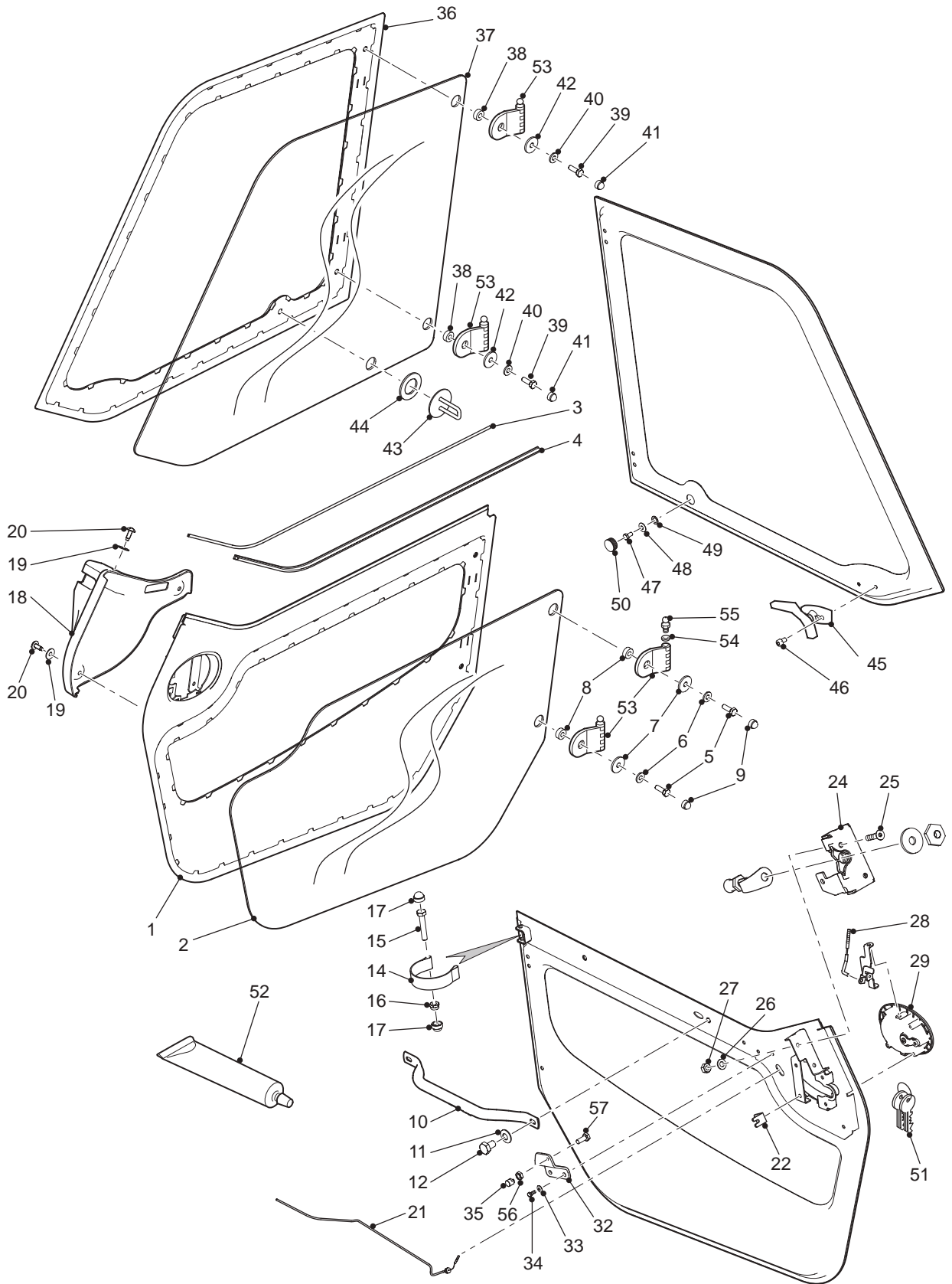


SPC001046

Control Panel Switches

Item	Part Number	Denomination	Remarks	Serial Number	Qty
34	13415.5	Washer			4
35	01665.9	Nut			4
36	6914586	Support for frame leveling knob			1
37	6910951	Screw			2
38	90930.9	Control Knob	Includes knob + cable + connector		1
39	6910953	Spacer			4
40	6910313	Plate			1
41	92299.7	Plug			1

Door Assy



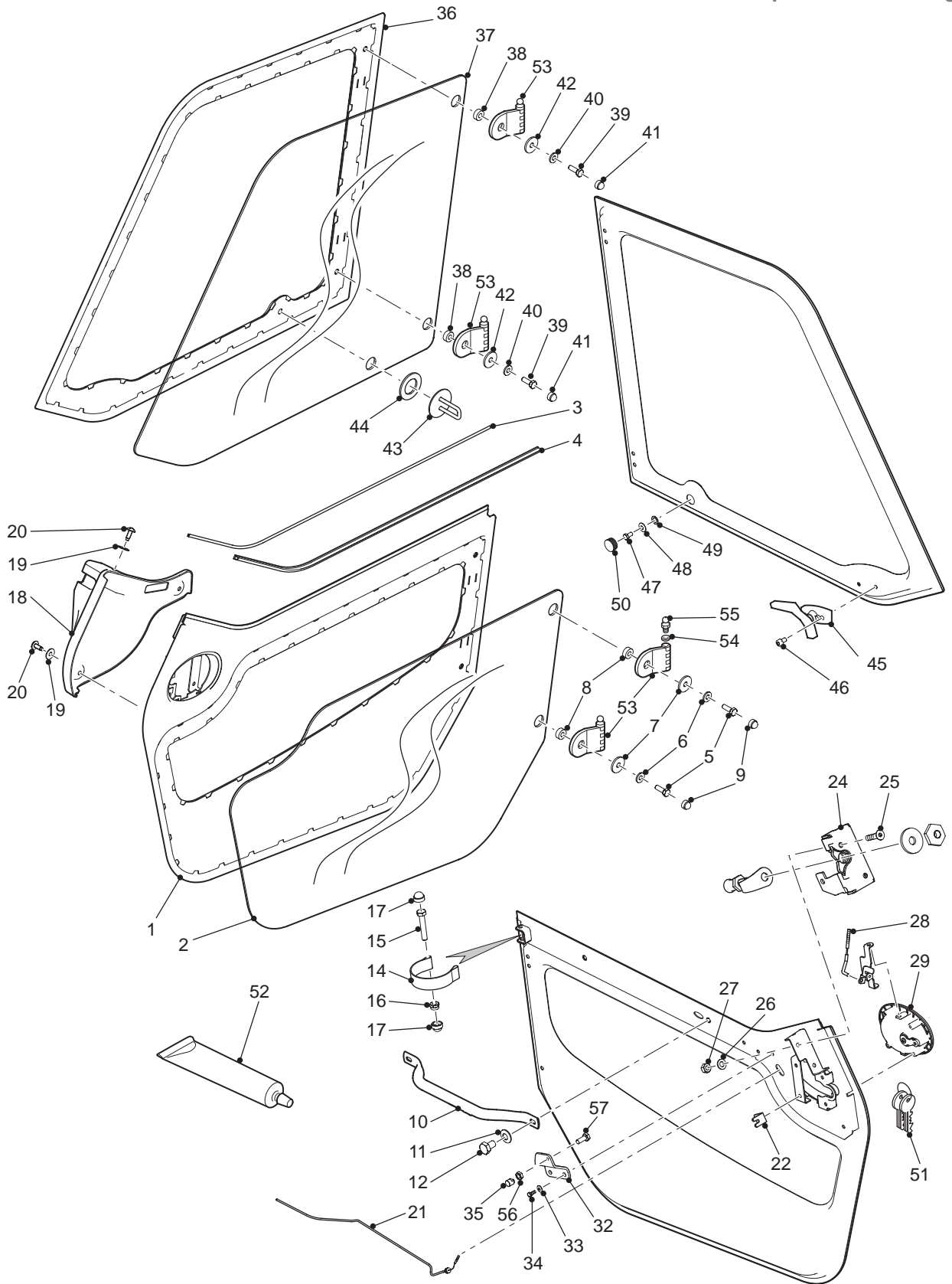
SPC001018

Door Assy

Item	Part Number	Denomination	Remarks	Serial Number	Qty
	6910733	Upper door assy	Pos. 36 to 50 ; Was 6909925		1
	6910736	Lower door assy	Pos. 1 to 4 + 8 to 35 + 51+52 ; Was 6909923		1
	6910738	Lower door and glass	Pos. 1 + 2		1
1	6910737	Lower door	Was 6910510		1
2	6908791	Glass, lower part door			1
3	6911000	Seal			1
4	6911001	Seal			1
5	01606.3	Screw			2
6	6910991	Washer			2
7	6910990	Washer			2
8	6910989	Spacer			2
9	63334.7	Nut cap			2
10	6910543	Handle			1
11	01719.4	Washer			2
12	01603.0	Screw			2
13	63334.7	Nut cap			2
14	97360.2	Door Strap			1
15	01579.2	Screw			2
16	51851.4	Nut			2
17	63333.9	Nut cap			4
18	6910994	Lock cover			1
19	29272.2	Washer			3
20	6910996	Screw			3
21	6910544	Cable			1
22	6914942	Cable stop			1
23	63334.7	Nut cap			2
24	6910546	Lock			1
25	6910997	Screw			2
26	01697.2	Washer			2
27	01668.3	Nut			2
28	6910545	Cable			1

Door Assy

Recurrence of previous drawing

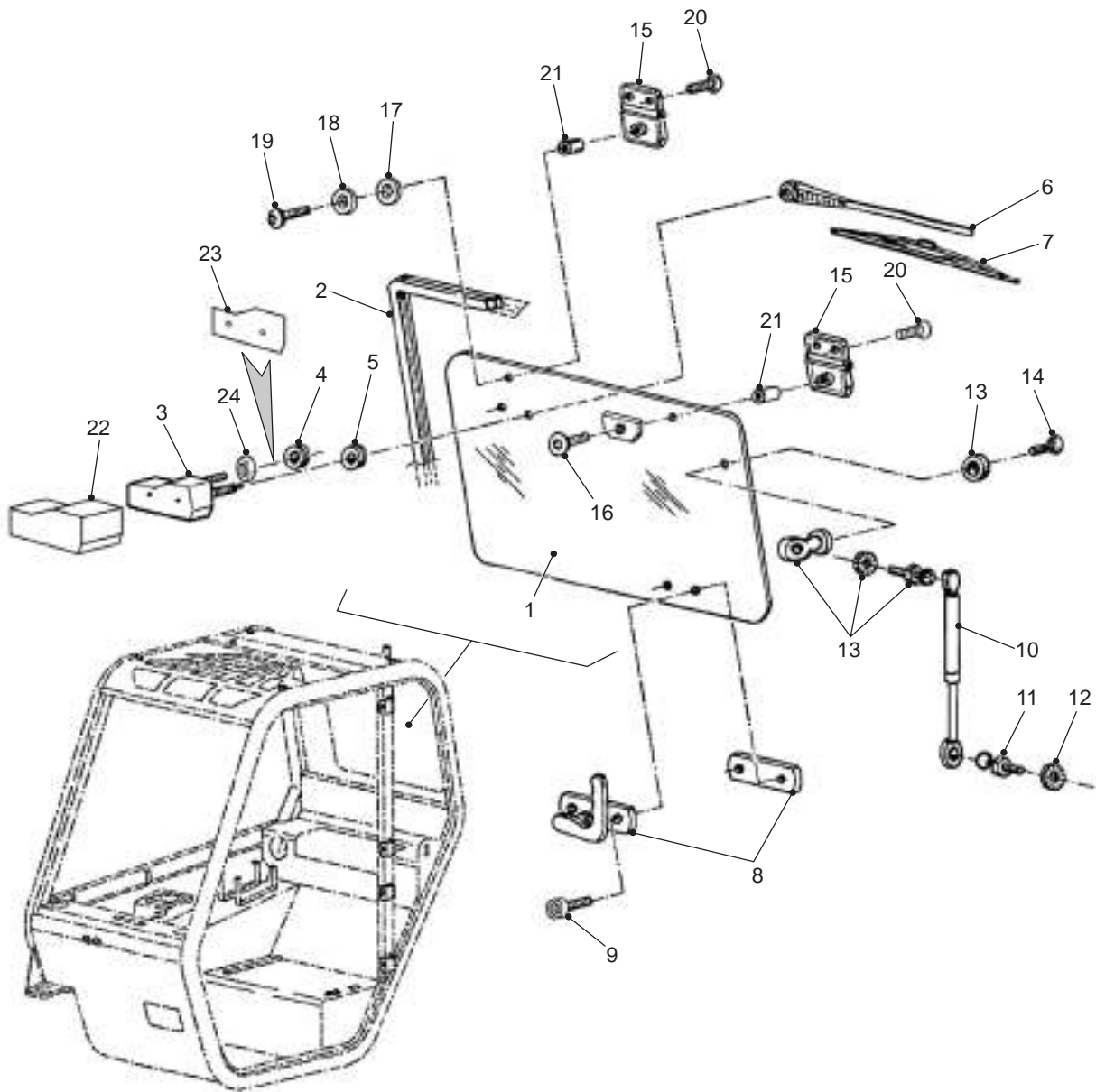


SPC001018

Door Assy

Item	Part Number	Denomination	Remarks	Serial Number	Qty
29	6910540	Handle with key			1
30	01696.4	Washer			4
31	01575.0	Screw			4
32	6910993	Hook			1
33	01717.8	Washer			2
34	01590.9	Screw			2
35	6910992	Nut cap			1
	6910735	Upper door and glass	Pos. 36 + 37		1
36	6910734	Upper door	Was 6910509		1
37	6908792	Glass, upper part door			1
38	6910989	Spacer			2
39	01606.3	Screw			2
40	6910991	Washer			2
41	63334.7	Nut cap			2
42	6910990	Washer			2
43	6910547	Hook			1
44	6910984	Spacer			1
45	6910539	Handle			1
46	32397.2	Screw			2
47	01595.8	Screw			1
48	01718.6	Washer			1
49	6910988	Washer			1
50	79297.8	Cap			1
51	57189.3	Set of keys (ignition)			1
52	64509.3	Glue			1
53	6910554	Hinge assy			4
54		Washer			4
55		Grease nipple			4
56	01666.7	Nut			1
57	01590.9	Screw			1

Rear Window Installation

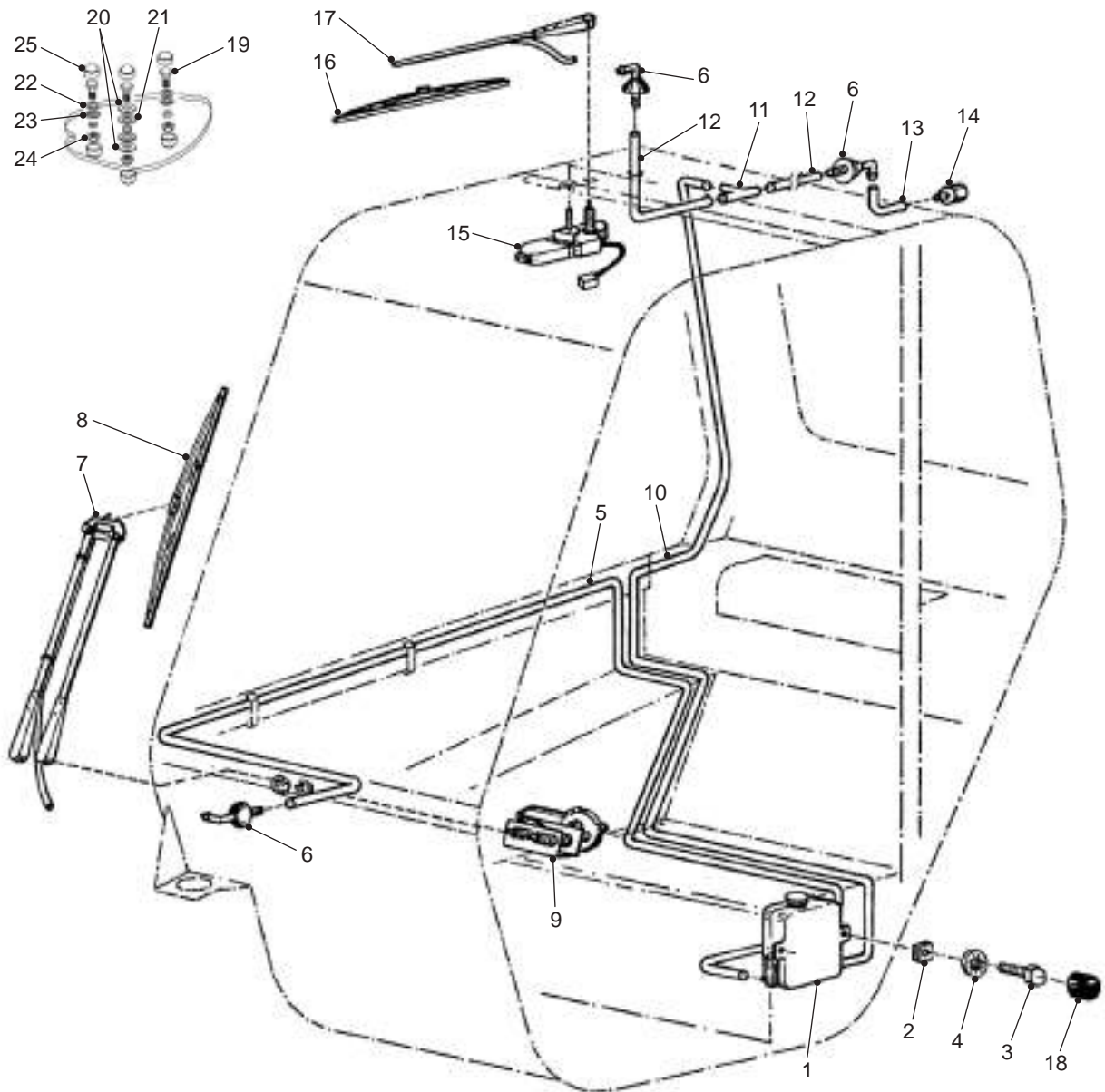


SPC001019

Rear Window Installation

Item	Part Number	Denomination	Remarks	Serial Number	Qty
1	6908787	Glass, rear cab			1
2	75956.3	Seal			1
3	6915534	Motor, rear wiper	Was 6909922		1
4	6910978	Guide			1
5	6910979	Guide			1
6	75900.1	Rear wiper arm			1
7	75896.1	Roof wiper blade			1
8	71162.2	Rear window handle			1
9	32397.2	Screw			2
10	75940.7	Cylinder			1
11	75935.7	Pivot Pin			1
12	000348-12P	Washer			1
13	81284.2	Screw			1
14	37469.4	Screw			1
15	75903.5	Hinge			2
16	37469.4	Screw			4
17	6910977	Washer			1
18	6910976	Washer			1
19	95502.1	Screw			1
20	37469.4	Screw			4
21	6910975	Spacer			2
22	NAP	Protector	Only with old wiper motor 6909922 ; Was 6914317		1
23	NAP	Cover	Only with old wiper motor 6909922 ; Was 6914318		1
24	01681.6	Nut			1

Wiper Installation

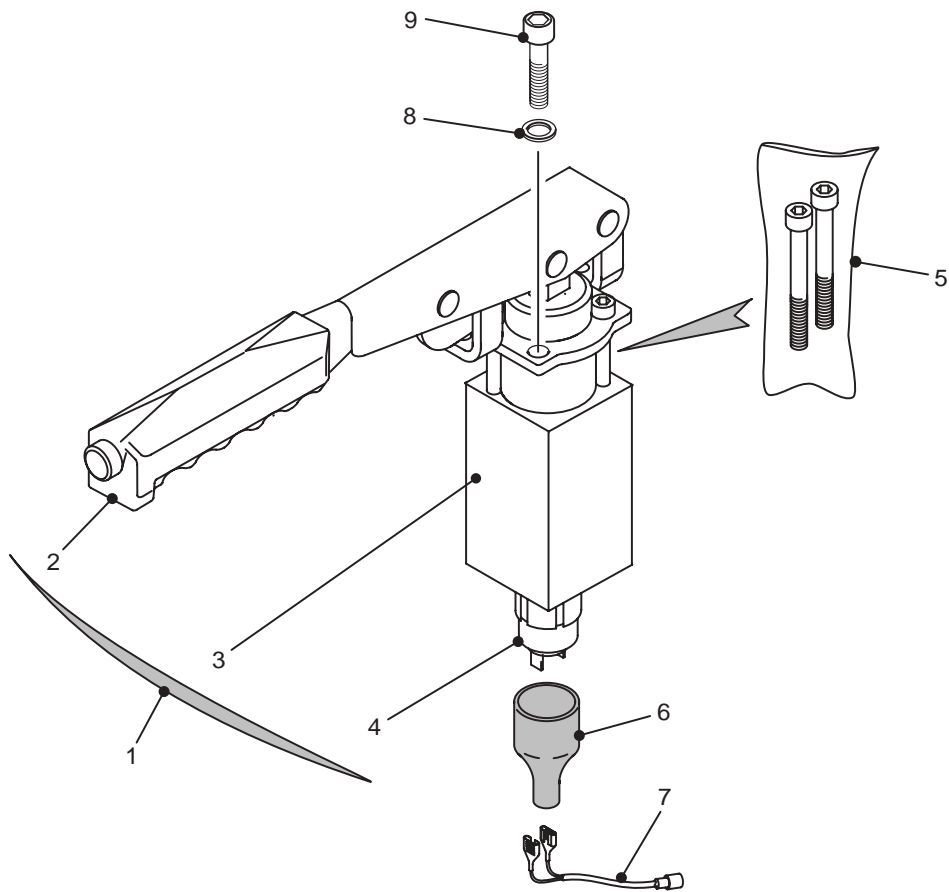


SPC001020

Wiper Installation

Item	Part Number	Denomination	Remarks	Serial Number	Qty
1	97196.0	Windshield spray reservoir			1
2	6909903	Clip			2
3	6910505	Screw			2
4	01717.8	Washer			2
5	6910981	Washer pipe			1
6	75926.6	Adapter			3
7	75898.7	Windshield wiper arm			1
8	75895.3	Front Wiper Blade			1
9	6916061	Windshield Wiper Motor	Was 75920.9		1
10	97212.5	Hose			1
11	63848.6	T- union			1
12	6910982	Washer pipe			2
13	6910983	Washer pipe			1
14	97217.4	Jet			1
15	6915535	Roof wiper motor	Option ; Was 63856.9		1
16	75896.1	Roof wiper blade	Option ; Was 6911713		1
17	6911006	Roof wiper arm	Option ; Was 6911712		1
18	63332.1	Cap			2
19	01596.6	Screw	Without roof windscreen wiper		3
20	6910976	Washer	Without roof windscreen wiper		2
21	6909964	Washer	Without roof windscreen wiper		2
22	000350-20Q	Washer	Without roof windscreen wiper		2
23	6909963	Washer	Without roof windscreen wiper		2
24	01668.3	Nut	Without roof windscreen wiper		3
25	63333.9	Nut cap	Without roof windscreen wiper		6

Parking Brake Lever

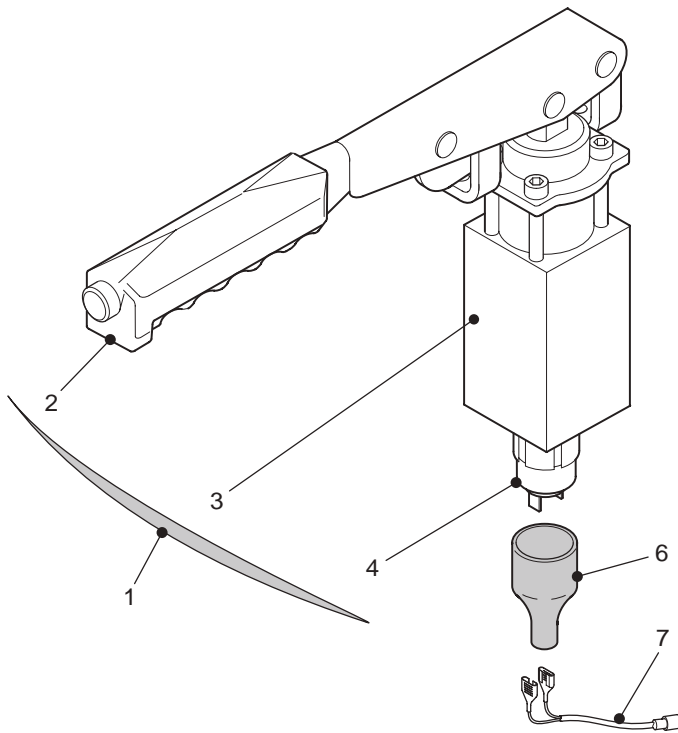


SPC001021

Parking Brake Lever

Item	Part Number	Denomination	Remarks	Serial Number	Qty
1	NAP	Lever assy	Order now 6915524 ; Pos. 2 to 4 ; Was 6909330	3628 11135 & below + 3629 11015 & below	1
2	93233.5	Lever and grip			1
3	NAP	Lever Body	Order now 6915524 ; Was 93232.7		1
4	93115.4	Pressure Switch			1
5	93227.7	Screw			1
6	6910557	Bellows and connection	Pos. 6 + 7		1
7	NSS	Connection	Order now 6910557		1
8	13416.3	Washer			2
9	10167.5	Screw			2

Parking Brake Lever

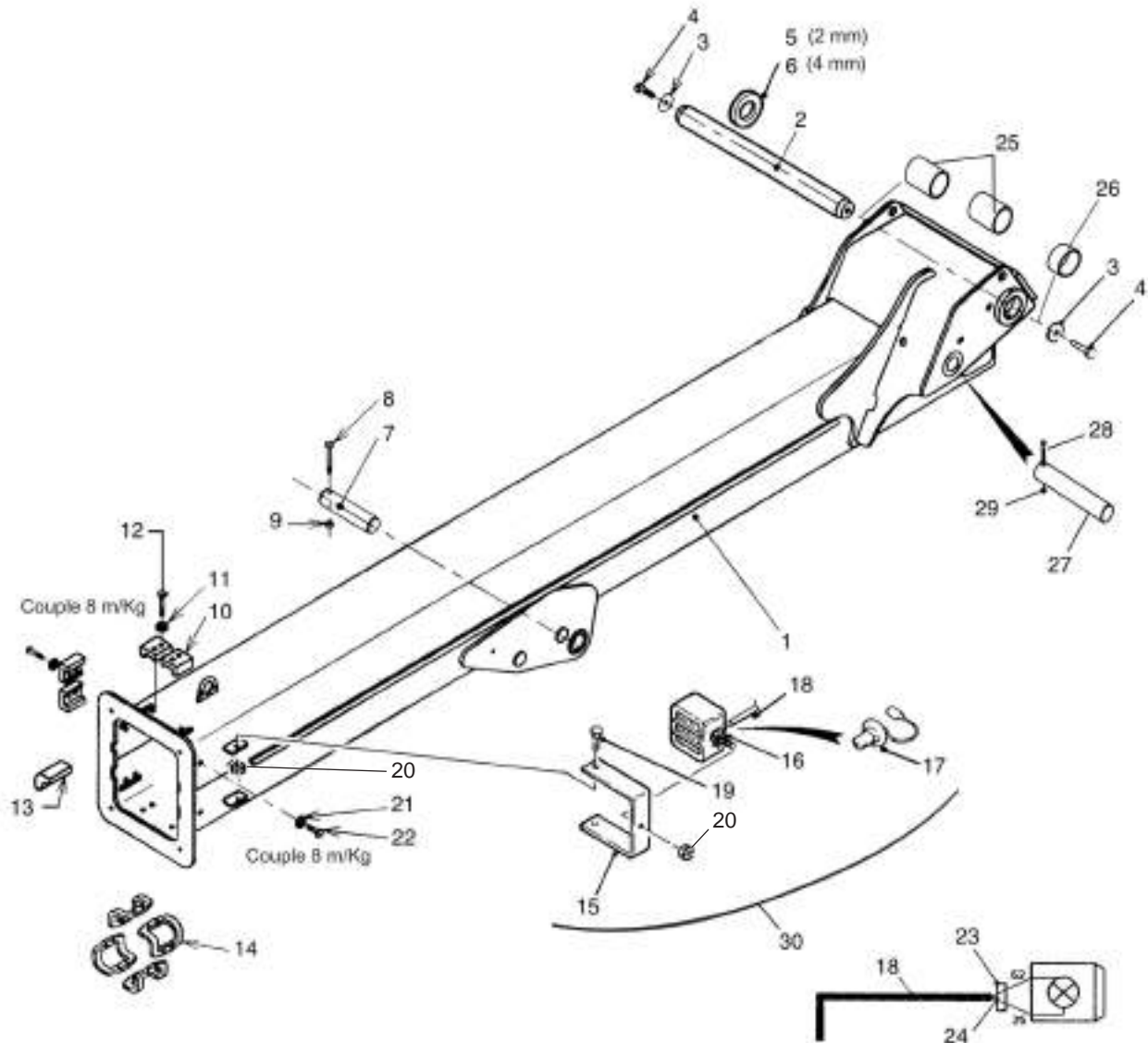


SPC001022

Parking Brake Lever

Item	Part Number	Denomination	Remarks	Serial Number	Qty
1	6915524	Lever assy	Pos. 2 to 4	3628 11136 & above + 3629 11016 & above	1
2	6912102	Grip	Including screws		1
3	6912103	Lever body	Including switch		1
4	6912104	Switch			1
6	6910557	Bellows and connection	Pos. 6 + 7		1
7	NSS	Connection	Order now 6910557		1

Fixed Boom Assy

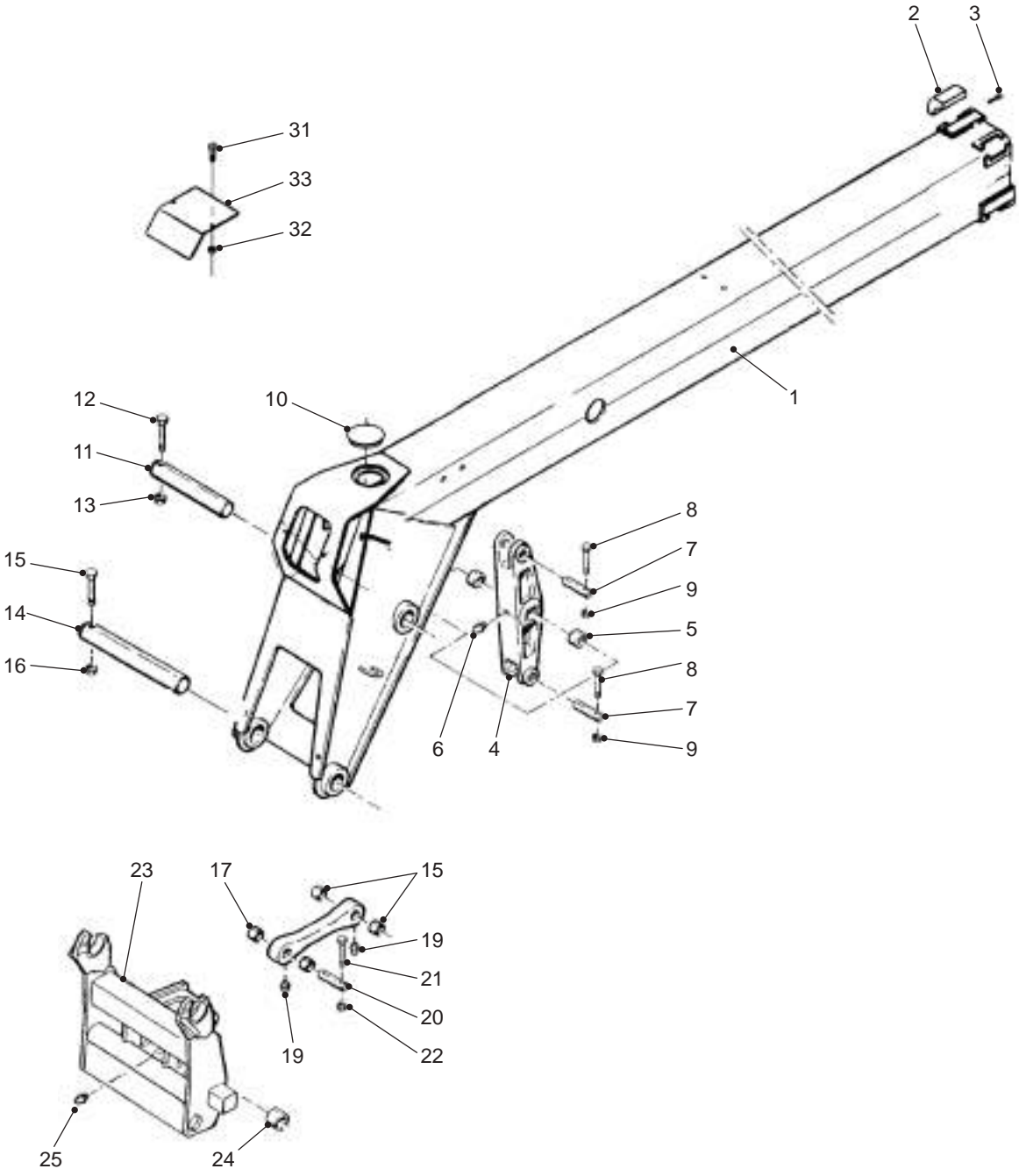


SPC001036

Fixed Boom Assy

Item	Part Number	Denomination	Remarks	Serial Number	Qty
1	6913187	Outer boom section			1
2	89328.9	Locating Pin			1
3	77430.7	Washer			2
4	44001.6	Screw			2
5	79428.9	Washer	Thickness : 2 mm		1
6	79429.7	Washer	Thickness : 4 mm		1
7	77419.0	Pin, lift cyl mounting			1
8	65397.2	Screw			1
9	100345-09A	Nut			1
10	88404.9	Mounting Block			4
11	89332.1	Washer			8
12	88497.3	Screw			8
13	88403.1	Wear Pad			4
14	88401.5	Shoe			4
15	84675.8	Bracket			1
16	79908.0	Light			1
17	58446.6	Bulb			1
18	78920.6	Wire harness			1
19	01605.5	Screw			2
20	100345-09A	Nut			2
21	89332.1	Washer			8
22	01616.2	Screw			8
23	79906.4	Connector			1
24	12940.3	Clip			2
25	77380.4	Boom Pivot Bushing			2
26	89323.0	Bush			1
27	77425.7	Locating Pin			1
28	65397.2	Screw			1
29	100345-09A	Nut			1
30		Working light option	Pos. 15 to 20 + 23 + 24		1

End Boom Assy

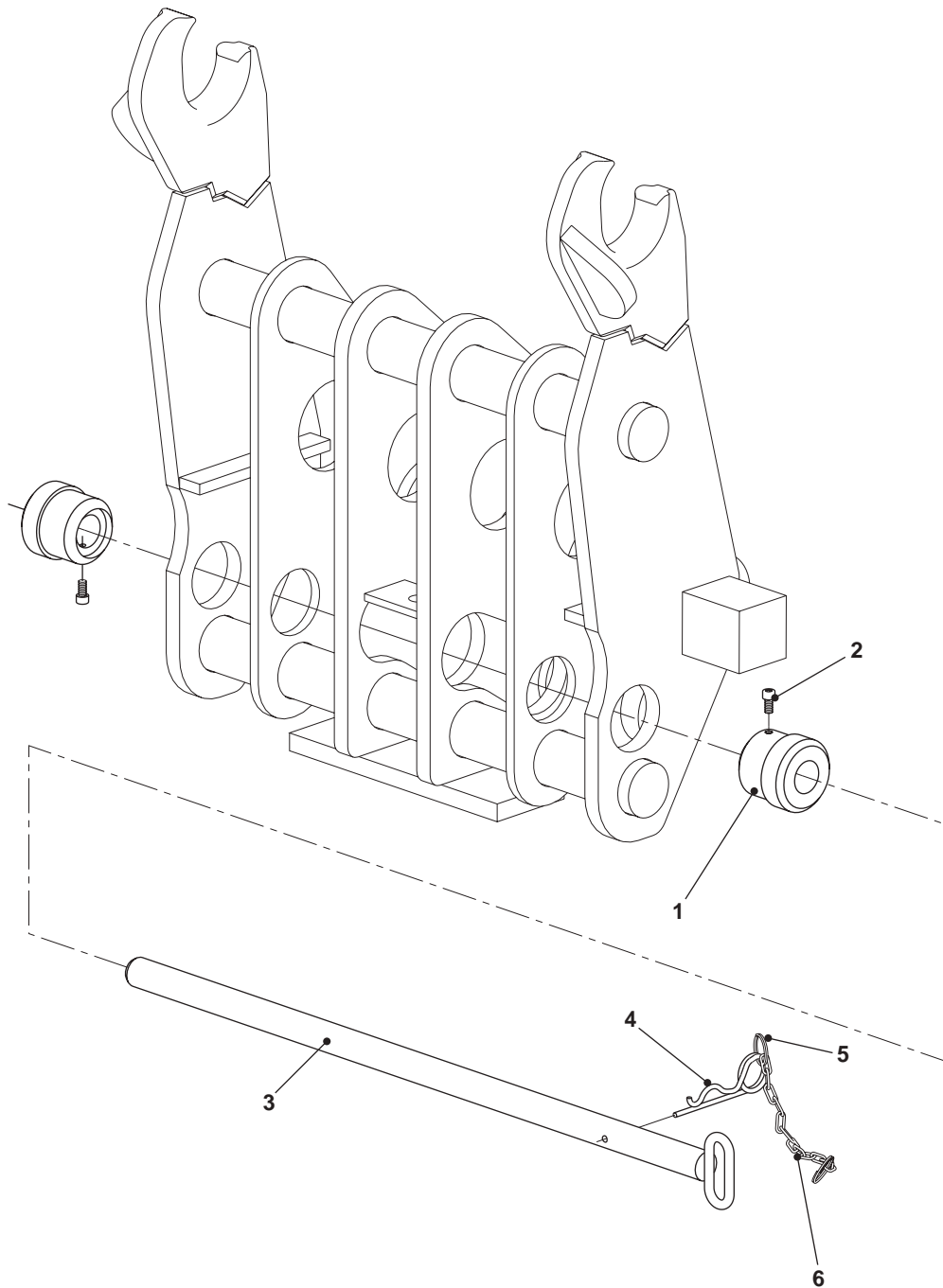


SPC001037

End Boom Assy

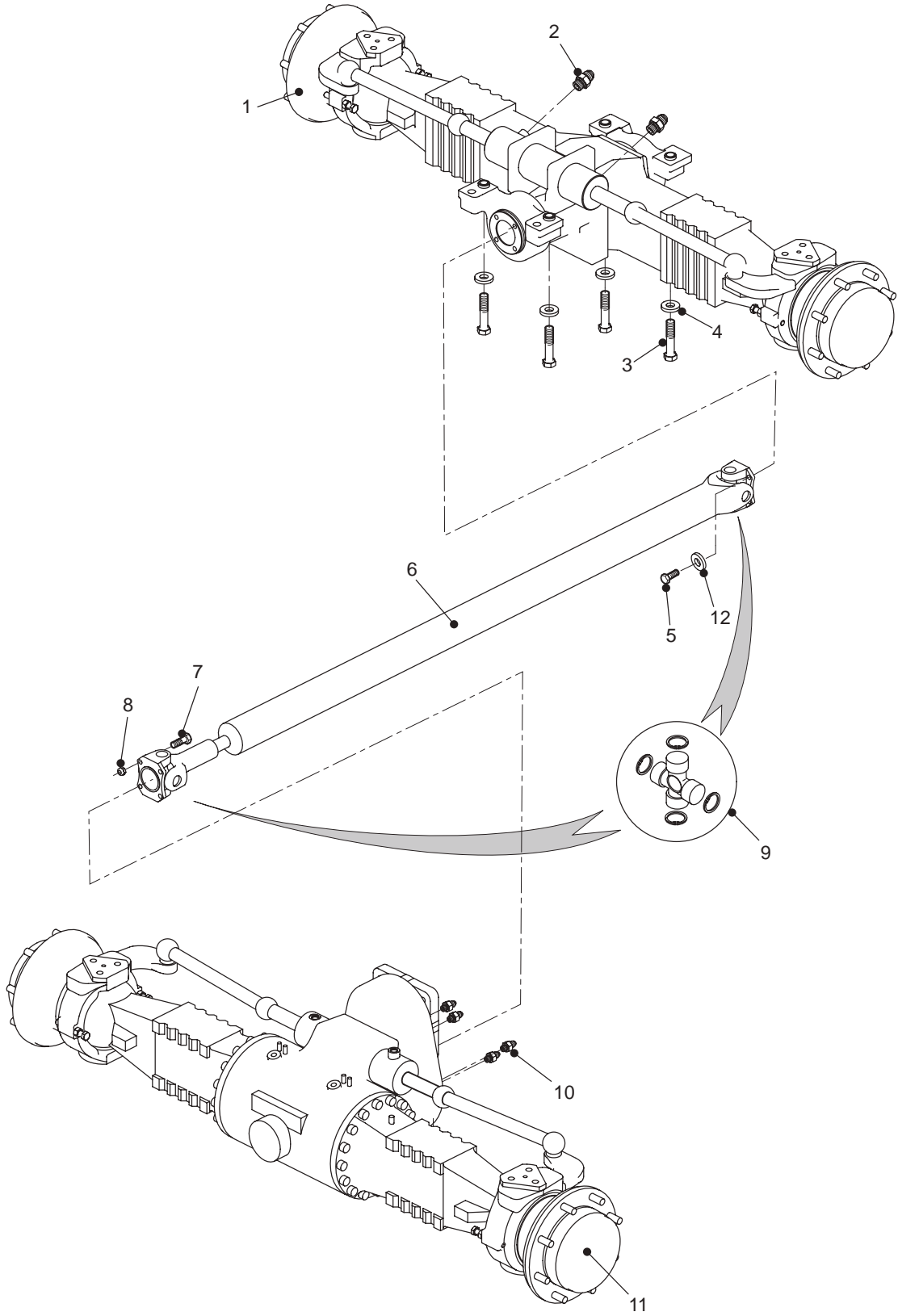
Item	Part Number	Denomination	Remarks	Serial Number	Qty
1	6913193	Inner boom			1
2	88403.1	Wear Pad			4
3	88540.0	Screw			4
4	6913192	"Z" bar link (cast iron)	Pos. 4 + 5 ; Optional		1
	79308.3	"Z" bar link (welded)	Pos. 4 + 5 ; Optional		1
5	77380.4	Boom Pivot Bushing			2
6	01775.6	Grease Nipple			1
7	77411.7	Locating Pin			2
8	65397.2	Screw			2
9	100345-09A	Nut			2
10	79137.6	Plug			1
11	77422.4	Locating Pin			1
12	82459.9	Screw			1
13	100345-09A	Nut			1
14	77421.6	Pin			1
15	82459.9	Screw			1
16	100345-09A	Nut			1
17	84632.9	Connecting Arm (cast iron)	Pos. 17 + 18 ; Optional		1
	6915025	Connecting arm (machined)	Pos. 17 + 18 ; Optional		1
18	72347.8	Bushing			4
19	01775.6	Grease Nipple			2
20	77411.7	Locating Pin			1
21	65397.2	Screw			1
22	100345-09A	Nut			1
23	80631.5	Carriage	Was 88457.7		1
24	77380.4	Boom Pivot Bushing			2
25	01775.6	Grease Nipple			1
31	01597.4	Screw			2
32	51851.4	Nut			2
33	85466.1	Cover Plate			1

Manual Quick Attach Lock



SPC001043

Axle Installation

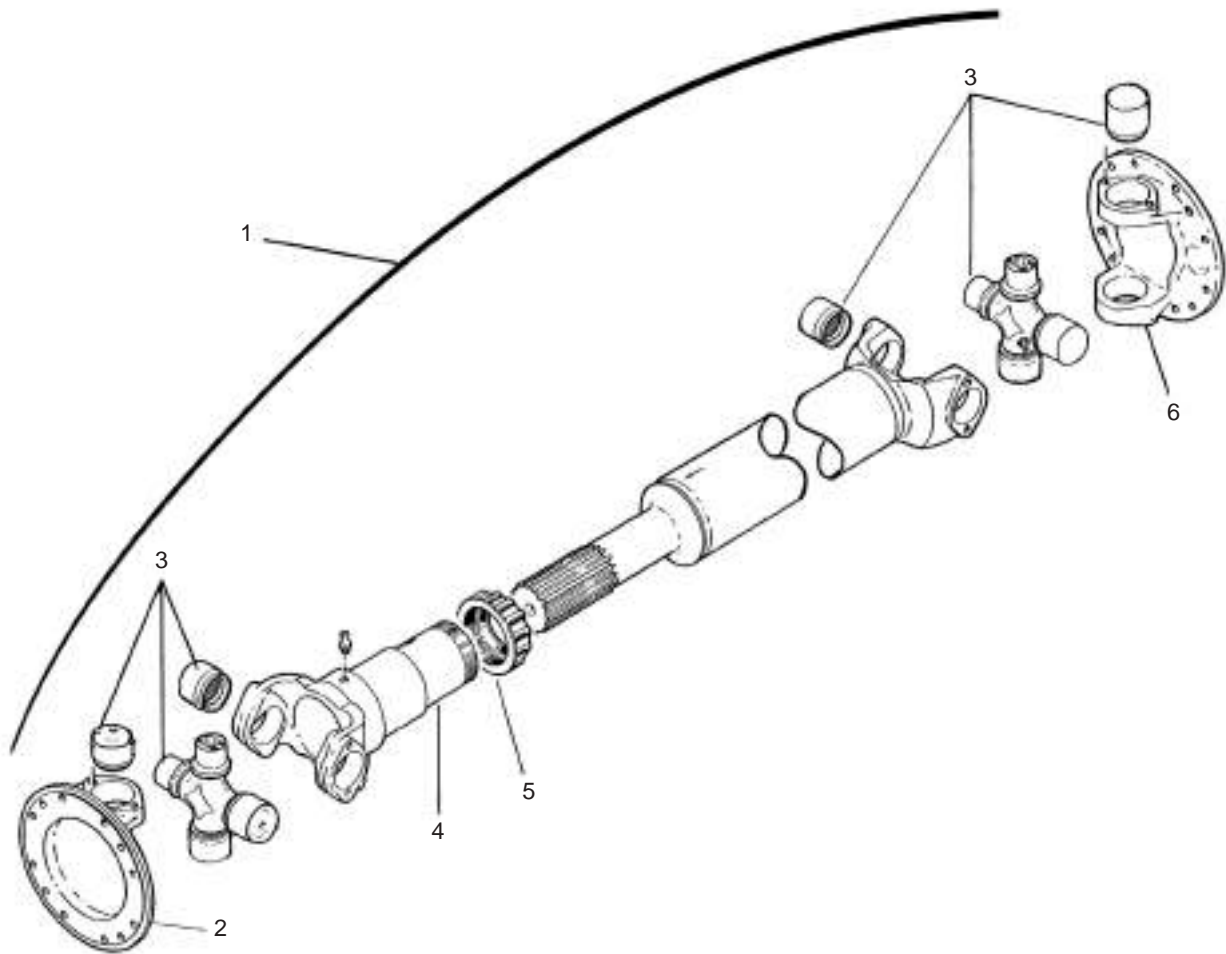


SPC002012

Axle Installation

Item	Part Number	Denomination	Remarks	Serial Number	Qty
1	94670.7	Rear axle			1
2	89503.7	Adapter			2
3	57734.6	Screw			4
4	33107.4	Washer			4
5	66425.0	Screw			4
6	84169.2	Cardan shaft			1
7	100338-15V	Screw			4
8	100345-11C	Nut			4
9	75658.5	U-joint			1
10	100375-71D	Adapter			4
11	NAP	Front axle	Order now 6913223 ; Was 88197.9	3628 11096 & below + 3629 11008 & below	1
	6913223	Front axle	Was 88197.9	3628 11097 & above + 3629 11009 & above	1
12	89517.7	Washer			4

Cardan Shaft



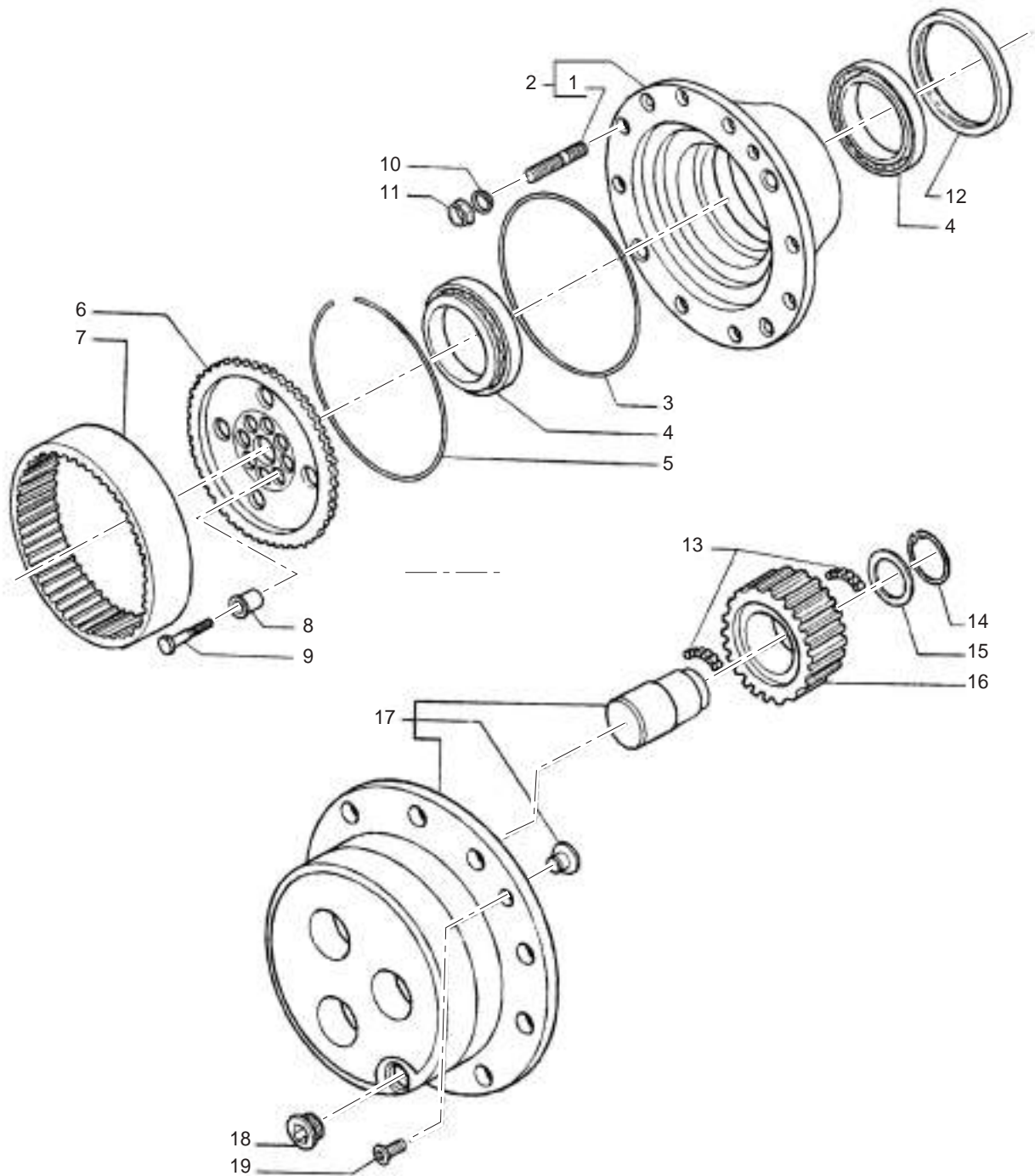
SPC002002

Cardan Shaft

Item	Part Number	Denomination	Remarks	Serial Number	Qty
1	84169.2	Cardan shaft	Pos. 2 to 6		1
2	97420.4	Flange			1
3	75658.5	U-joint			2
4	97418.8	Shaft			1
5	97416.2	Seal			1
6	97420.4	Flange			1

Hub Reduction - Front Axle / Rear Axle

quantities are per axle



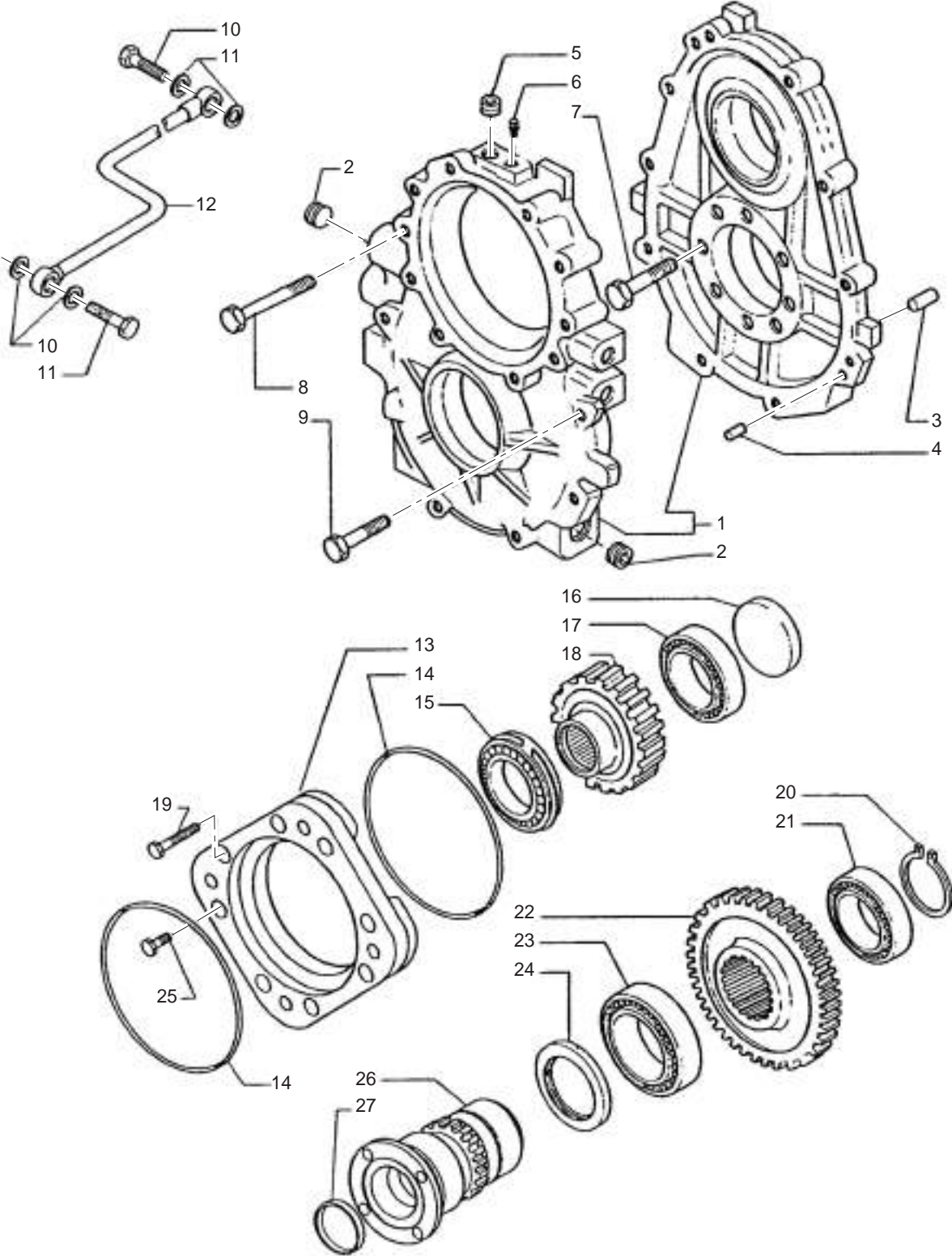
SPC002003

Hub Reduction - Front Axle / Rear Axle

quantities are per axle

Item	Part Number	Denomination	Remarks	Serial Number	Qty
1	75822.7	Stud			16
2	6912585	Hub	Pos. 1 + 2 ; Was 97413.9		2
3	75277.4	O-ring			2
4	6912931	Bearing	Was 100398-15S		4
5	75824.3	Lock Ring			2
6	75825.0	Support			2
7	75826.8	Toothed Ring			2
8	89963.3	Sleeve			16
9	89964.1	Screw			16
10	100349-02C	Washer			16
11	100345-41K	Wheel Nut			16
12	97414.7	Seal	150 mm x 180 mm x 16 mm		2
13	75834.2	Needle Bearing	Set of 10 needles		34
14	75831.8	Retaining Ring			6
15	75832.6	Washer			6
16	75833.4	Gear			6
17	75830.0	Pinion carrier			2
18	100374-32C	Plug			2
19	100324-04M	Screw			2

Reducer Box - Front Axle

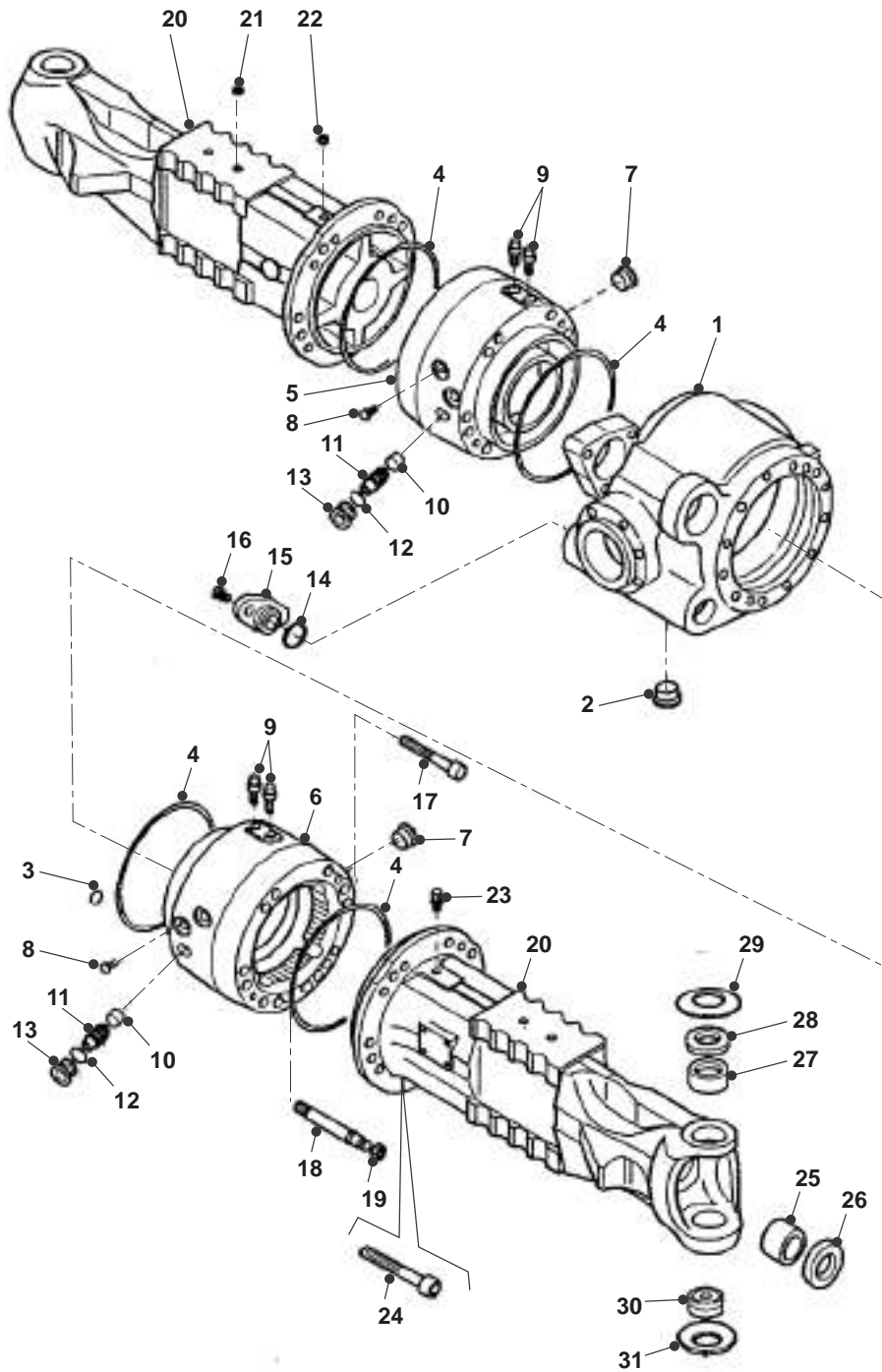


SPC002006

Reducer Box - Front Axle

Item	Part Number	Denomination	Remarks	Serial Number	Qty
1	75835.9	Housing			1
2	75505.8	Plug			2
3	75836.7	Pin			1
4	75713.8	Pin			2
5	75839.1	Plug			1
6	75717.9	Breather		3628 11096 & below + 3629 11008 & below	1
	100505-24H	Breather		3628 11097 & above + 3629 11009 & above	1
7	75840.9	Screw			8
8	75841.7	Screw			2
9	75842.5	Screw			6
10	75843.3	Screw			2
11	75844.1	Washer			4
12	75845.8	Tube			1
13	75846.6	Bracket			1
14	75847.4	O-ring			2
15	75848.2	Bearing			1
16	75849.0	Plug			1
17	75850.8	Bearing			1
18	75851.6	Gear		3628 11096 & below + 3629 11008 & below	1
	6912905	Gear		3628 11097 & above + 3629 11009 & above	1
19	75852.4	Screw			2
20	75853.2	Clip			1
21	75854.0	Bearing			1
22	75855.7	Gear		3628 11096 & below + 3629 11008 & below	1
	6912906	Gear		3628 11097 & above + 3629 11009 & above	1
23	75856.5	Bearing			1
24	75857.3	Seal			1
25	75858.1	Screw			6
26	75859.9	Pin			1
27	75860.7	Plug			1

Housing - Front Axle



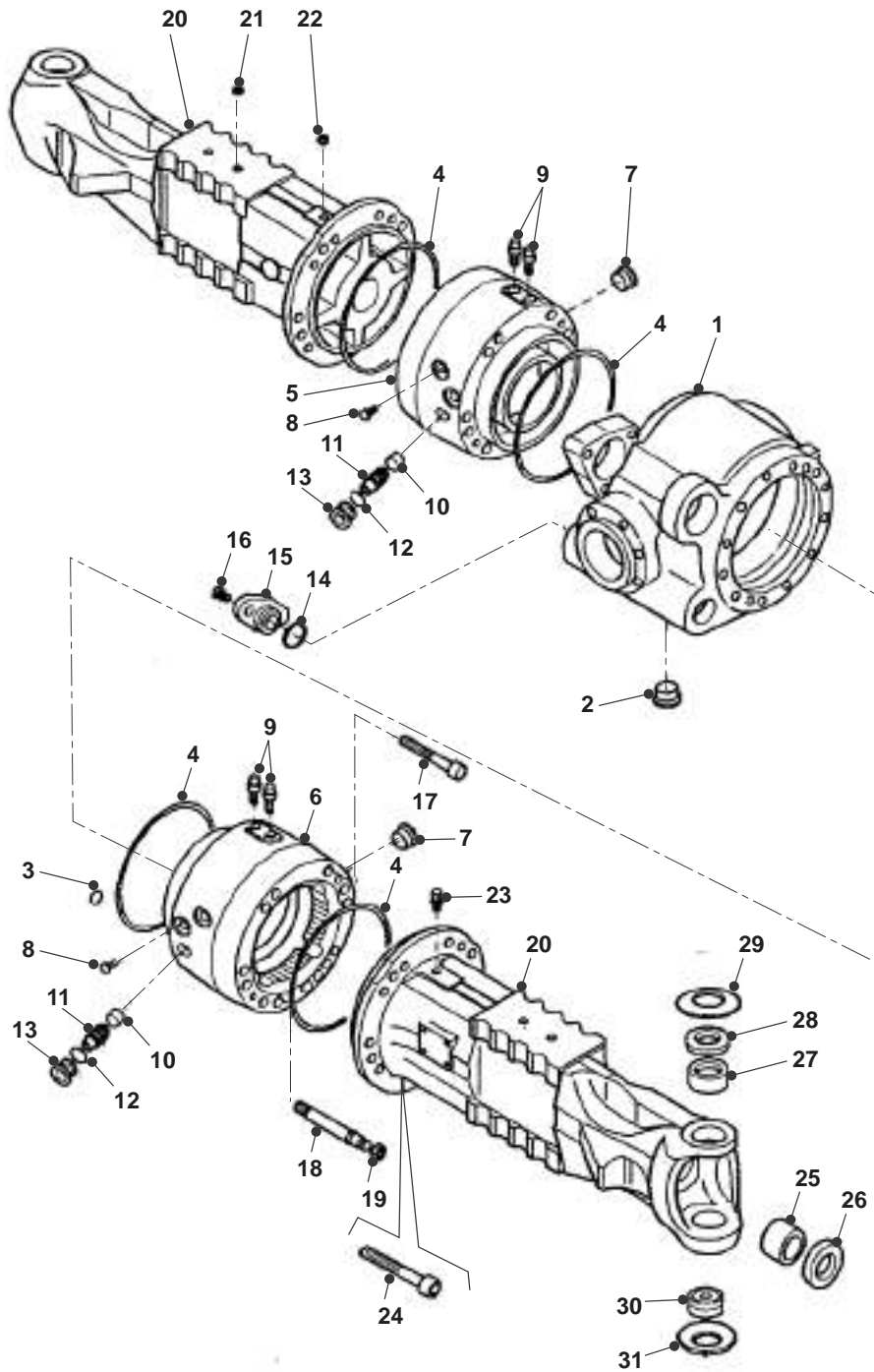
SPC002013

Housing - Front Axle

Item	Part Number	Denomination	Remarks	Serial Number	Qty
1	89955.9	Housing			1
2	100374-32C	Plug			1
3	93084.2	O-ring			2
4	75710.4	O-ring			4
5	89905.4	Support			1
6	89916.1	Support			1
7	100374-32C	Plug			2
8	64842.8	Plug			2
9	63238.0	Breather			4
10	89917.9	Pin CDS=sleeve			6
11	89908.8	Valve			6
12	89915.3	O-ring			6
13	89913.8	Bushing			6
14	75709.6	O-ring			1
15	75708.8	Cover Plate			1
16	01597.4	Screw			2
17	75716.1	Screw			2
18	89914.6	Stud			2
19	89912.0	Nut			2
20	98661.2	Housing			2
21	92608.9	Plug			4
22	75838.3	Grease Nipple	Was 100458-02A		1
23	75717.9	Breather		3628 11096 & below + 3629 11008 & below	1
	100505-24H	Breather		3628 11097 & above + 3629 11009 & above	1
24	75715.3	Screw			22
25	100288-63N	Washer			2
26	98660.4	Bushing			2
27	101288-35D	Bushing		3628 11096 & below + 3629 11008 & below	2
28	71131.7	Washer		3628 11096 & below + 3629 11008 & below	2
	6912908	Washer		3628 11097 & above + 3629 11009 & above	2
29	66011.8	Washer			2

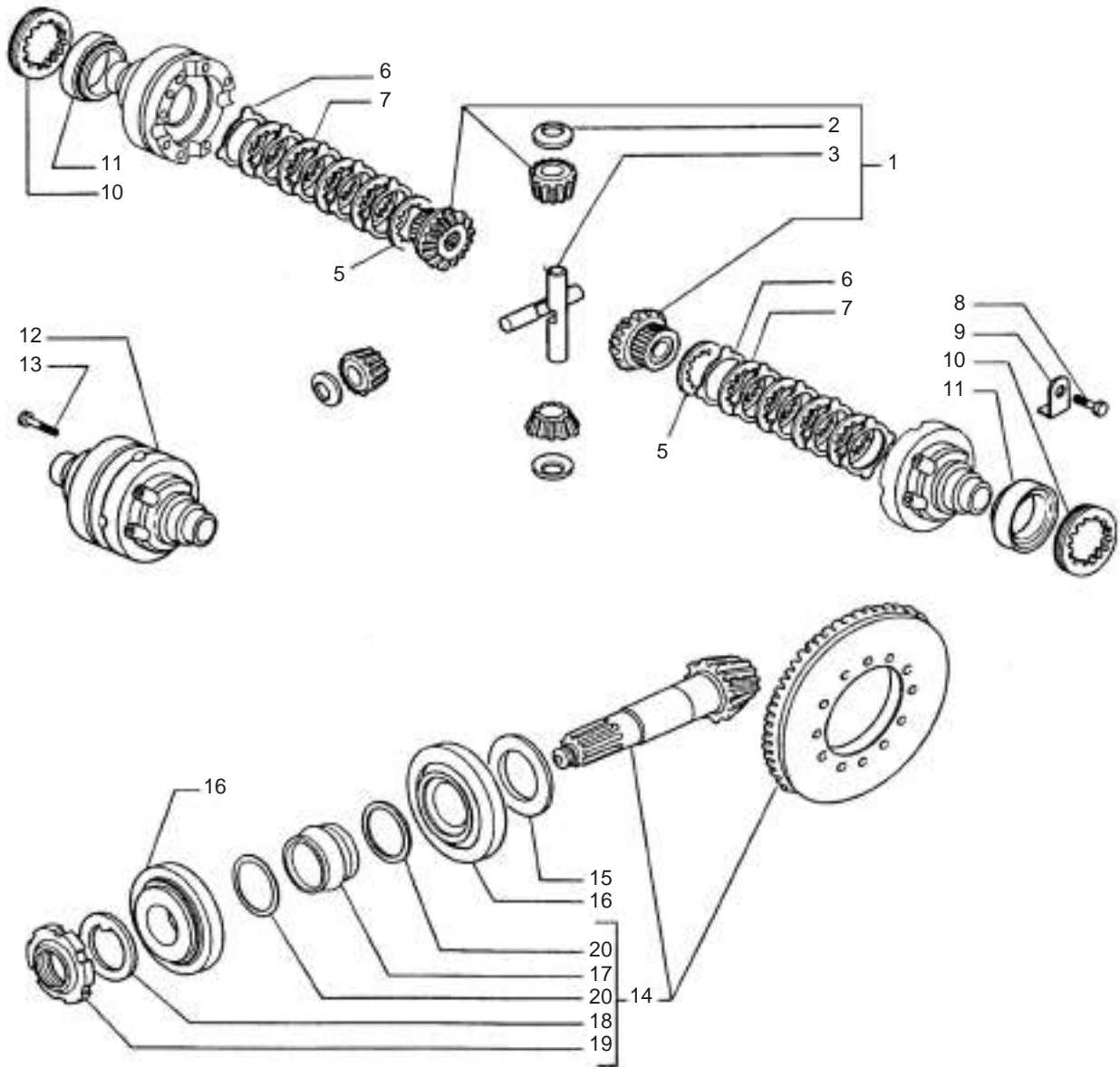
Housing - Front Axle

Recurrence of previous drawing



SPC002013

Differential - Front Axle

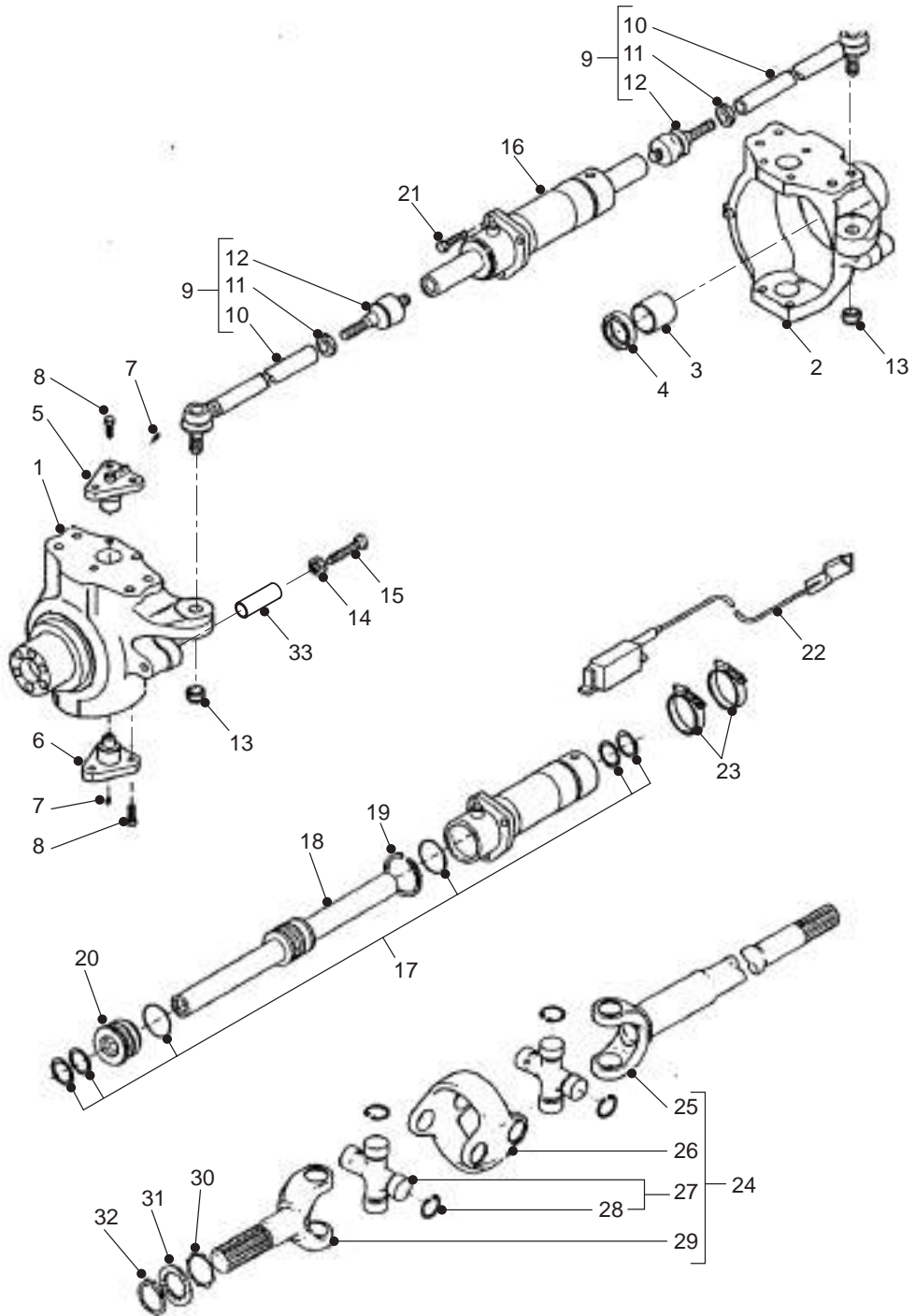


SPC002005

Differential - Front Axle

Item	Part Number	Denomination	Remarks	Serial Number	Qty
1	89957.5	Differential, Complete			1
2	100485-56T	Washer			4
3	100485-55S	Pin	See 89957.4		2
5	64855.0	Disc			2
6	64856.8	Counter Disc			10
7	75774.0	Disc	Was 64857.6		8
8	66048.0	Screw			2
9	75793.0	Plate			2
10	100345-40J	Clamp			2
11	00909.2	Bearing	Was 000398-08U		2
12	92601.4	Housing		3628 11096 & below + 3629 11008 & below	1
	89921.1	Housing		3628 11097 & above + 3629 11009 & above	1
13	100338-39W	Screw			12
14	75778.1	Bevel Gear			1
15	75779.9	Shim 2.50mm	Thickness 2.50 mm		1
	75780.7	Shim 2.60mm	Thickness 2.60 mm		1
	75781.5	Shim 2.70mm	Thickness 2.70 mm		1
	75782.3	Shim 2.80mm	Thickness 2.80 mm		1
	75783.1	Shim 2.90mm	Thickness 2.90 mm		1
	75784.9	Shim 3.00mm	Thickness 3.00 mm		1
	75785.6	Shim 3.10mm	Thickness 3.10 mm		1
	75786.4	Shim 3.20mm	Thickness 3.20 mm		1
	75787.2	Shim 3.30mm	Thickness 3.30 mm		1
	75788.0	Shim 3.40mm	Thickness 3.40 mm		1
16	07187.8	Bearing			1
17	101288-39H	Spacer			1
18	100348-06X	Washer			1
19	100345-37F	Nut			1
20	64851.9	Washer			1

Steering - Front Axle



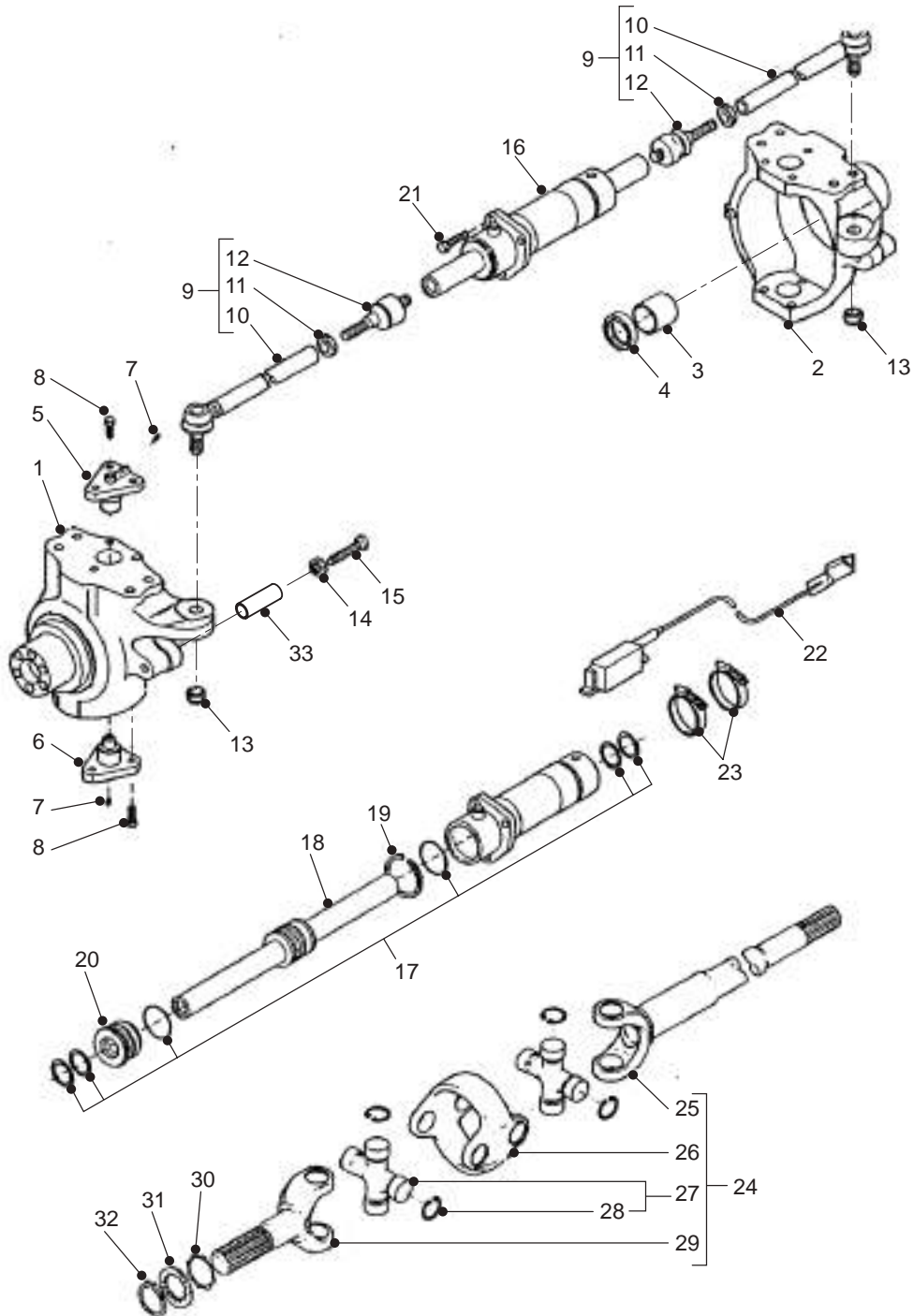
SPC002014

Steering - Front Axle

Item	Part Number	Denomination	Remarks	Serial Number	Qty
1	98669.5	Pivot			1
2	98668.7	Pivot			1
3	75296.4	Bushing			2
4	98645.5	Seal			2
5	66013.4	Pin			2
6	66014.2	Pin			2
7	006458-01H	Grease Nipple			4
8	64833.7	Screw			12
9	75723.7	Tie Rod Assembly			2
10	75722.9	Tie Rod End			2
11	66044.9	Nut			2
12	63225.7	Connecting Rod			2
13	63252.1	Nut			2
14	81514.2	Nut			4
15	75297.2	Screw		3628 11096 & below + 3629 11008 & below	4
	6912909	Screw		3628 11097 & above + 3629 11009 & above	4
16	75725.2	Steering Cylinder			1
17	75762.5	Seal Kit			1
18	81515.9	Rod			1
19	6912587	Rubber band	Was 89920.3	3628 11096 & below + 3629 11008 & below	1
	6912108	Rubber band		3628 11097 & above + 3629 11009 & above	1
20	75726.0	Cylinder head			1
21	75724.5	Screw			3
22	75727.8	Detector			1
23	75728.6	Clamp			2
24	92604.8	Universal Drive Assembly		3628 11096 & below + 3629 11008 & below	2
	6912911	Universal Drive Assembly		3628 11097 & above + 3629 11009 & above	2
25	93619.5	Long Axle Shaft			1
26	93618.7	U-joint			2
27	93616.1	Housing			1
28	93617.9	Clip			8

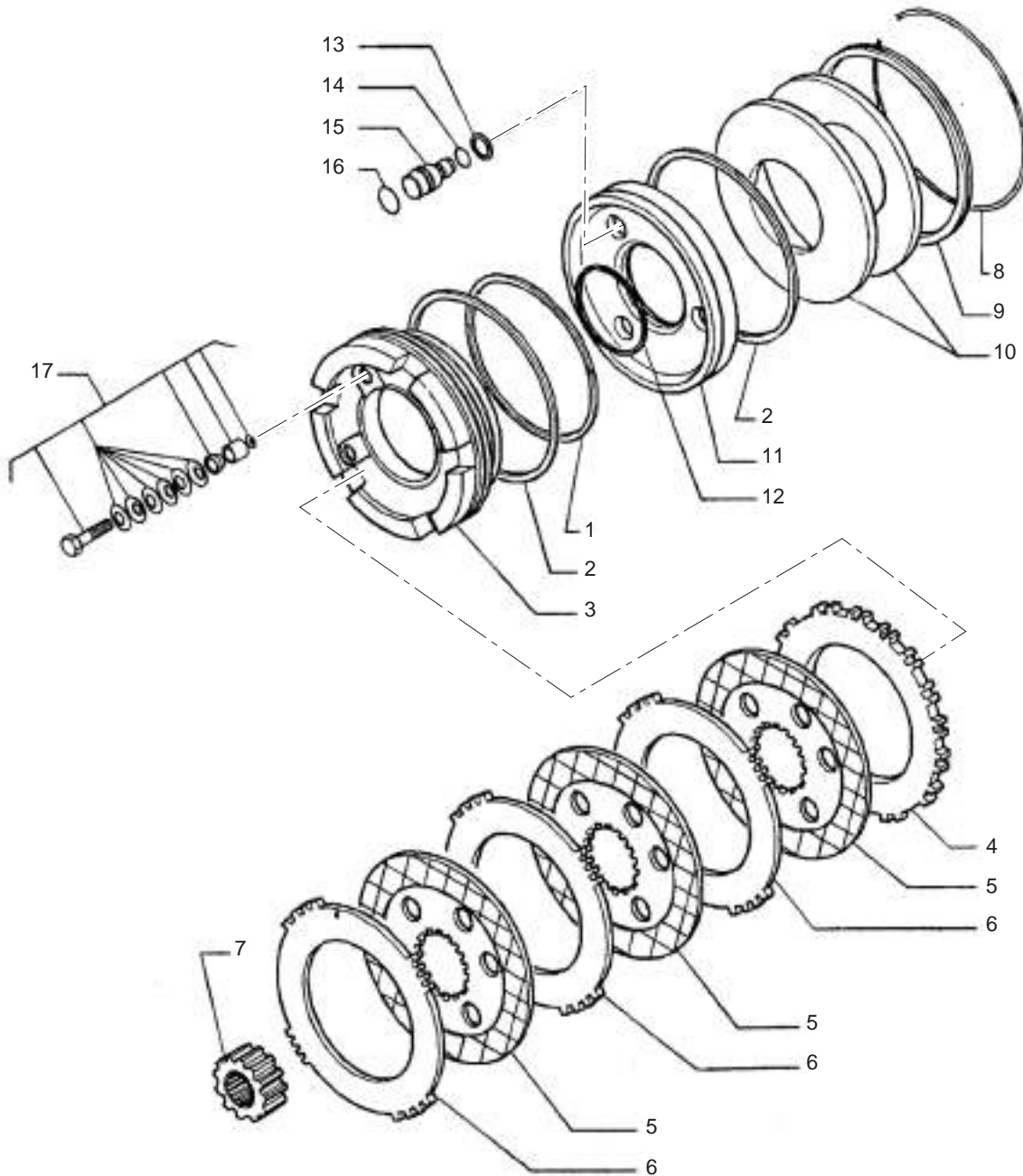
Steering - Front Axle

Recurrence of previous drawing



SPC002014

Brakes - Front Axle

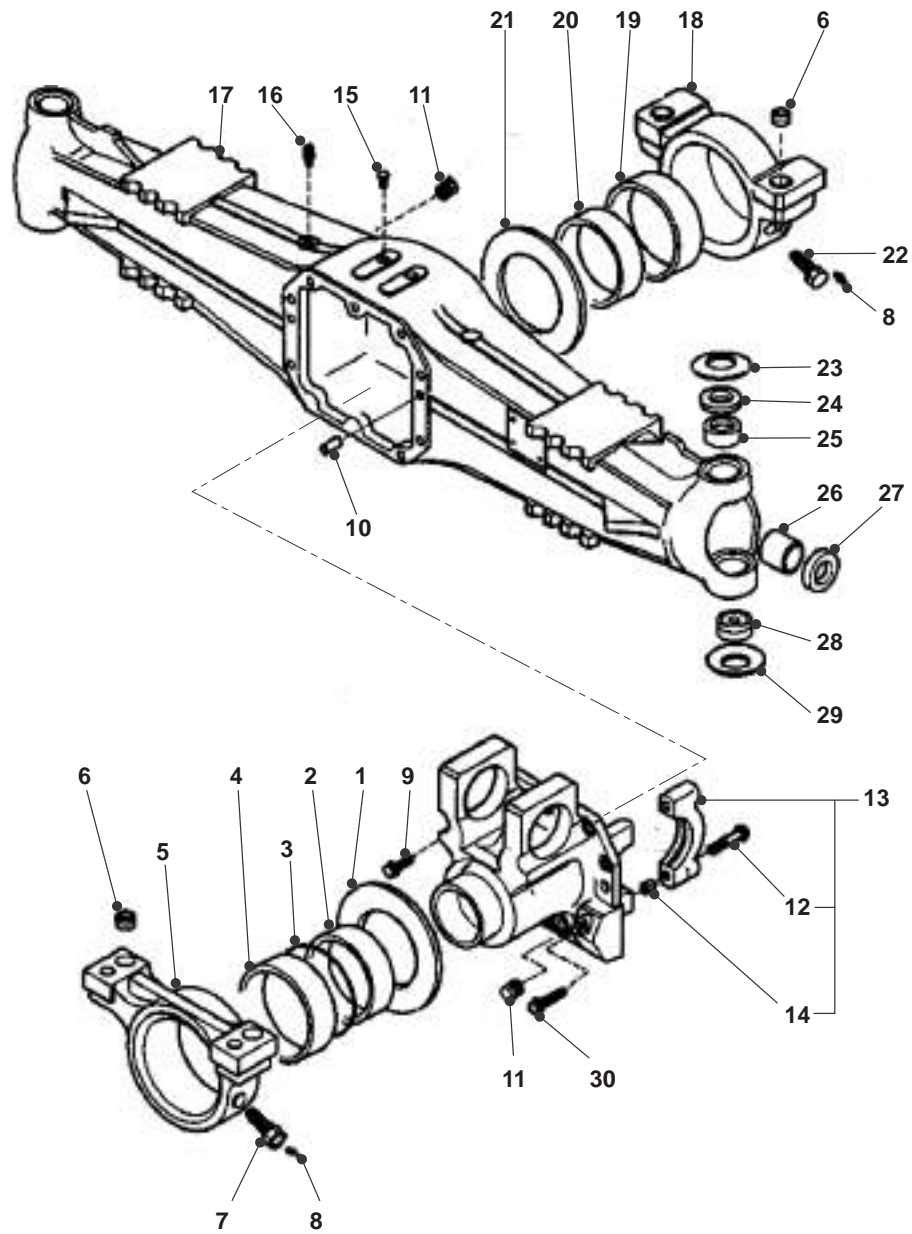


SPC002007

Brakes - Front Axle

Item	Part Number	Denomination	Remarks	Serial Number	Qty
1	93088.3	O-ring			2
2	93086.7	O-ring			4
3	89924.5	Flange			2
4	89925.2	Counter Disc			2
5	89926.0	Disc			6
6	89927.8	Counter Disc			6
7	89928.6	Hub			2
8	89929.4	Seal			2
9	89936.9	Hub			2
10	89934.4	Washer			4
11	89937.7	Housing			2
12	93087.5	O-ring			2
13	6912577	Washer	Was 89935.1		6
14	93085.9	O-ring			6
15	6912576	Spindle			6
16	93084.2	O-ring			6
17	89930.2	Screw Assembly			2

Housing - Rear Axle

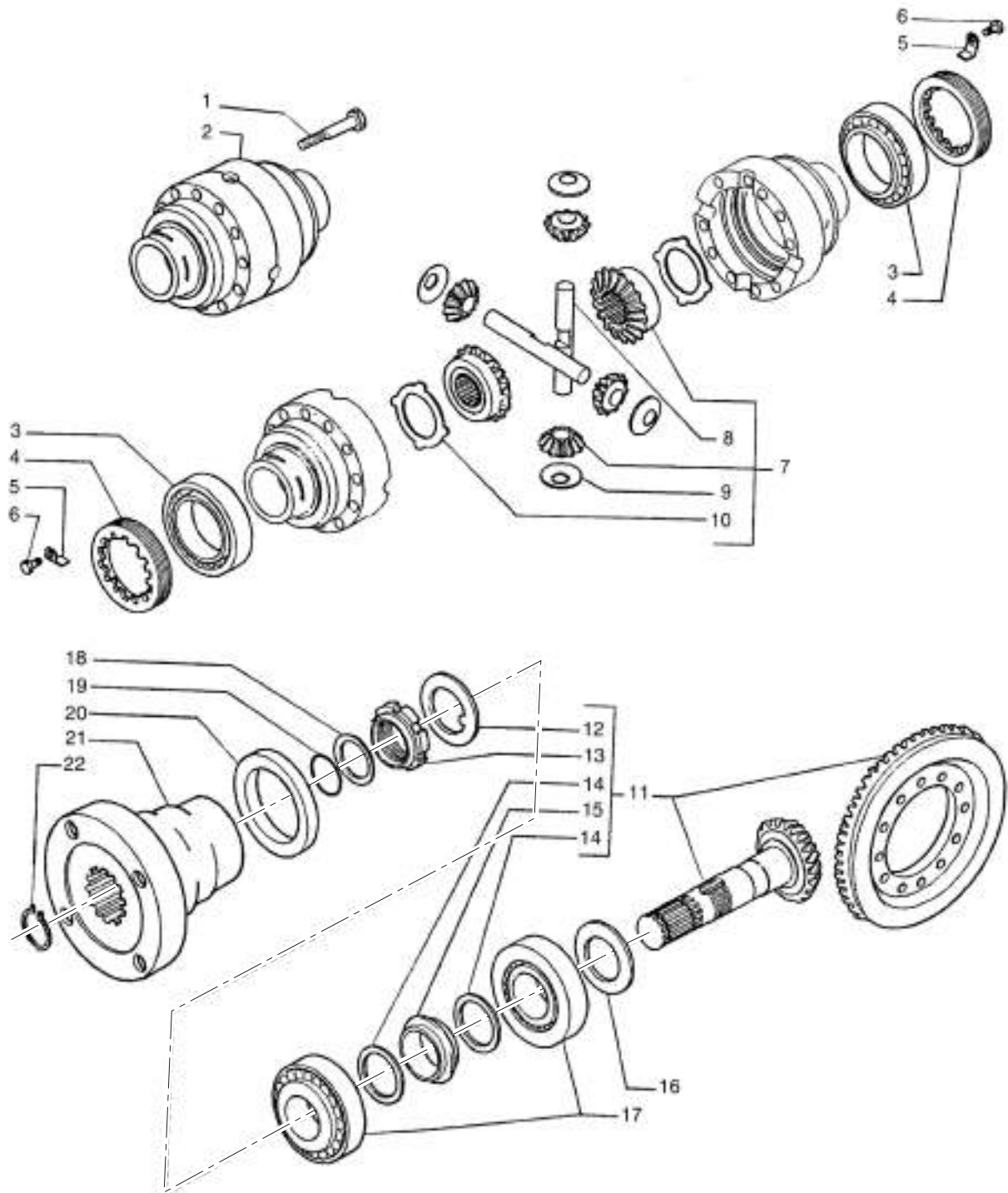


SPC002015

Housing - Rear Axle

Item	Part Number	Denomination	Remarks	Serial Number	Qty
	94670.7	Rear Axle			1
1	75739.3	Washer			1
2	64827.9	Bushing			1
3	64829.5	O-ring			1
4	64828.7	Bushing			1
5	64830.3	Support			1
6	64824.6	Sleeve			4
7	64831.1	Screw			1
8	64823.8	Grease Nipple			2
9	100338-42A	Screw			5
10	100273-25R	Safety Pin			2
11	100374-20P	Plug			2
12	89959.1	Screw			4
13	81544.9	Support			1
14	101288-10B	Bushing			4
15	64842.8	Plug			2
16	100505-24H	Breather			1
17	98662.0	Housing			1
18	75746.8	Support			1
19	75747.6	Bushing			1
20	75748.4	Bushing			1
21	75749.2	Washer			1
22	64822.0	Screw			1
23	66011.8	Washer			2
24	71131.7	Washer			2
25	101288-35D	Bushing			2
26	100288-63N	Washer			2
27	98660.4	Bushing			
28	100400-19P	Bushing			2
29	66010.0	Washer			2
30	89885.8	Screw			5

Differential - Rear Axle

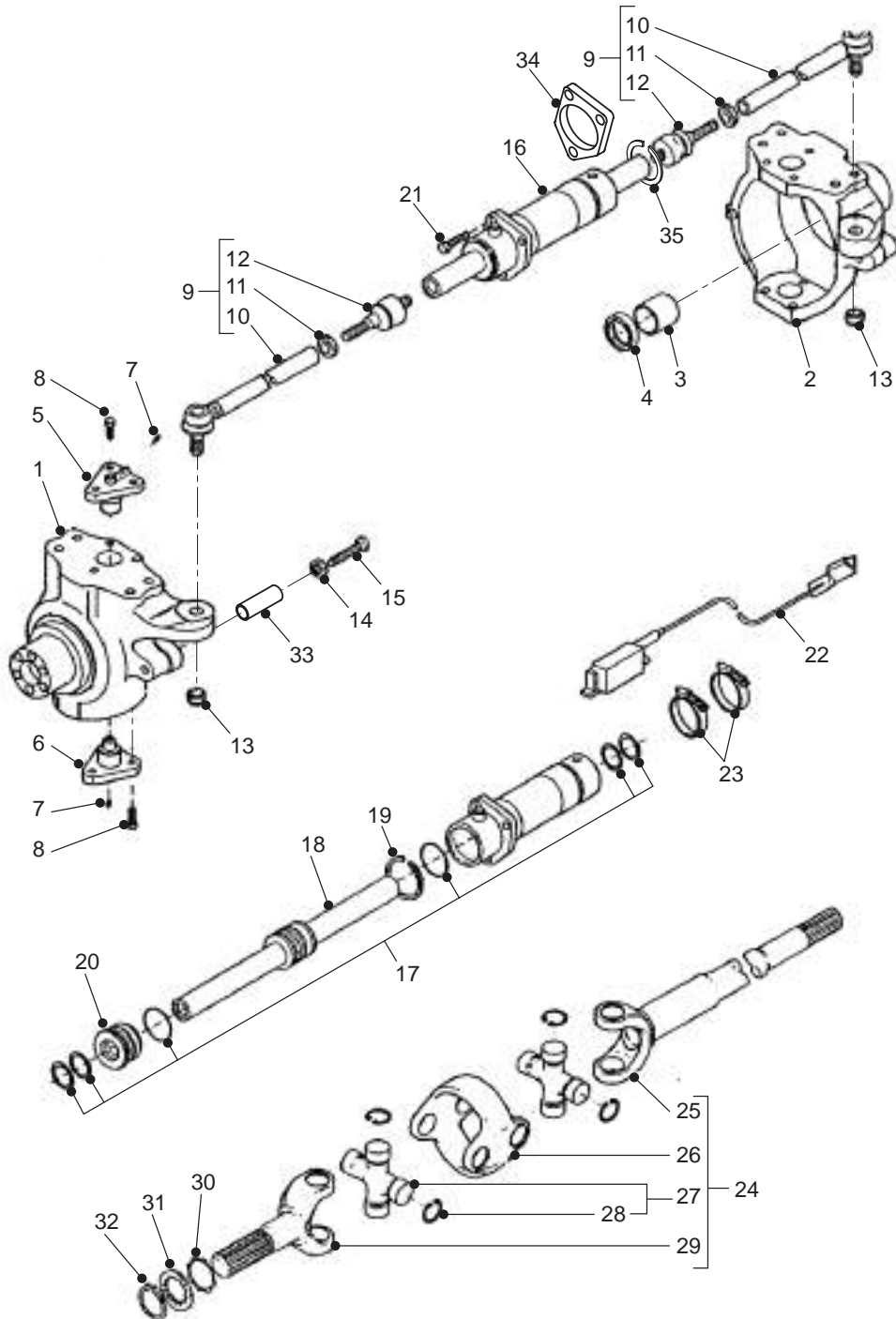


SPC002010

Differential - Rear Axle

Item	Part Number	Denomination	Remarks	Serial Number	Qty
1	100338-39W	Screw			12
2	92601.4	Housing			1
3	00909.2	Bearing			2
4	100345-40J	Clamp			2
5	75775.7	Stop Plate			2
6	66048.0	Screw			2
7	71209.1	Differential Assembly	Pos. 7 to 10		1
8	100485-55S	Pin	See 71209.1		2
9	100485-56T	Washer			4
10	75789.8	Washer			2
11	75791.4	Ring Gear	Pos. 11 to 15		1
12	100348-06X	Washer			1
13	100345-37F	Nut			1
14	64851.9	Washer			2
15	101288-39H	Spacer			1
16	75779.9	Shim 2.50mm	Thickness: 2.50 mm		2
	75780.7	Shim 2.60mm	Thickness: 2.60 mm		2
	75781.5	Shim 2.70mm	Thickness: 2.70 mm		2
	75782.3	Shim 2.80mm	Thickness: 2.80 mm		2
	75783.1	Shim 2.90mm	Thickness: 2.90 mm		2
	75784.9	Shim 3.00mm	Thickness: 3.00 mm		2
	75785.6	Shim 3.10mm	Thickness: 3.10 mm		2
	75786.4	Shim 3.20mm	Thickness: 3.20 mm		2
	75787.2	Shim 3.30mm	Thickness: 3.30 mm		2
	75788.0	Shim 3.40mm	Thickness: 3.40 mm		2
17	07187.8	Bearing			2
18	75802.9	Washer			1
19	75728.6	Clamp			1
20	97410.5	Seal			1
21	75806.0	Bracket			1
22	75805.2	Clip			1

Steering - Rear Axle



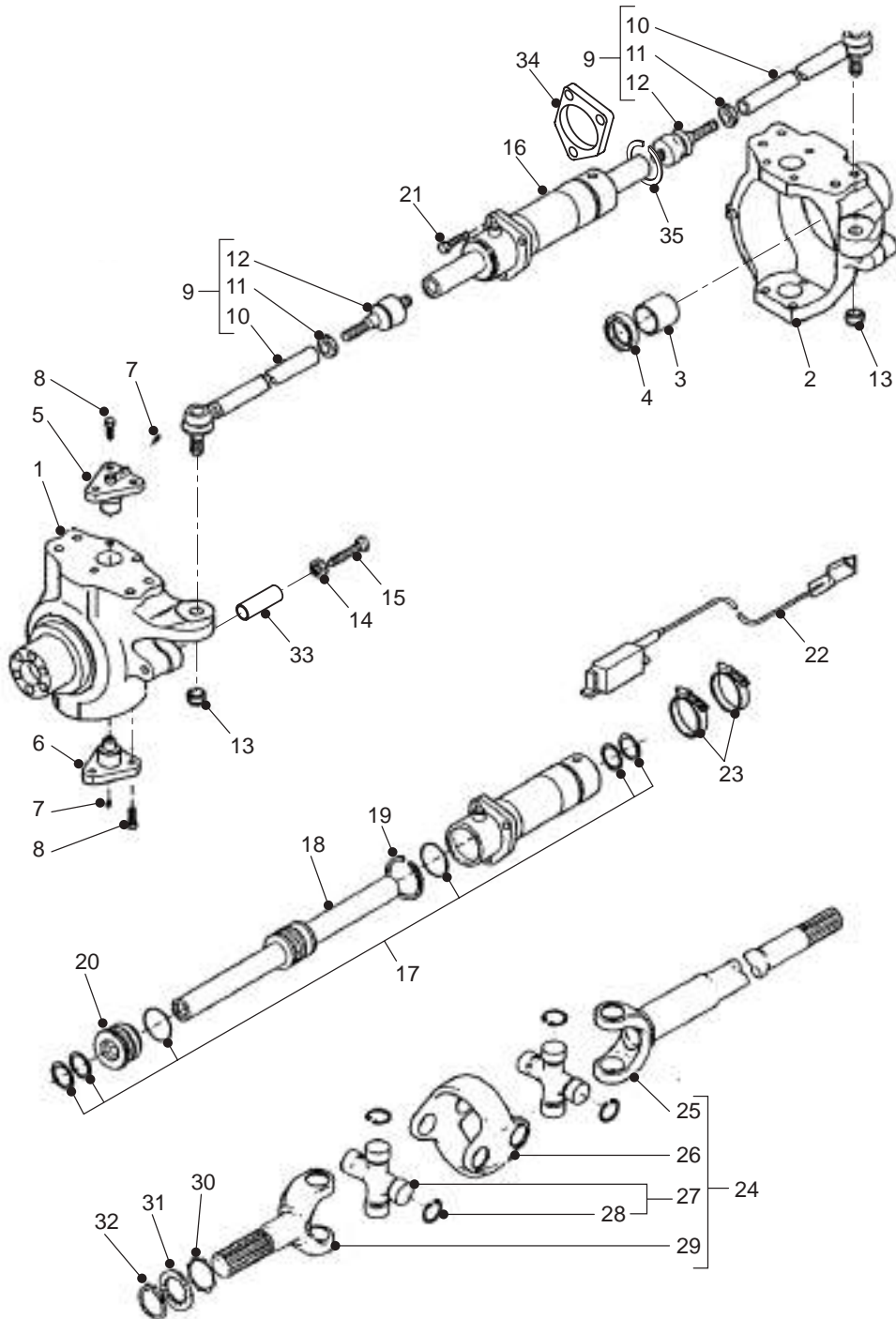
SPC002016

Steering - Rear Axle

Item	Part Number	Denomination	Remarks	Serial Number	Qty
1	98669.5	Pivot			1
2	98668.7	Pivot			1
3	75296.4	Bushing			2
4	98645.5	Seal			2
5	66013.4	Pin			2
6	66014.2	Pin			2
7	006458-01H	Grease Nipple			4
8	64833.7	Screw			12
9	75723.7	Tie Rod Assembly			2
10	75722.9	Tie Rod End			2
11	66044.9	Nut			2
12	63225.7	Connecting Rod			2
13	63252.1	Nut			2
14	81514.2	Nut			4
15	75297.2	Screw			4
16	75758.3	Steering Cylinder			1
17	75762.5	Seal Kit			1
18	81515.9	Rod			1
19	6912587	Rubber band	Was 89920.3		1
20	75726.0	Cylinder head			1
22	75760.9	Detector			1
23	75728.6	Clamp			2
24	92604.8	Universal Drive Assembly			2
25	93619.5	Long Axle Shaft			1
26	93616.1	Housing			1
27	93618.7	U-joint			2
28	93617.9	Clip			8
29	93615.3	Stub Axle			1
30	75734.4	Washer			2
31	6912903	Washer	Was 75735.1		2
32	89918.7	Retaining Ring			2

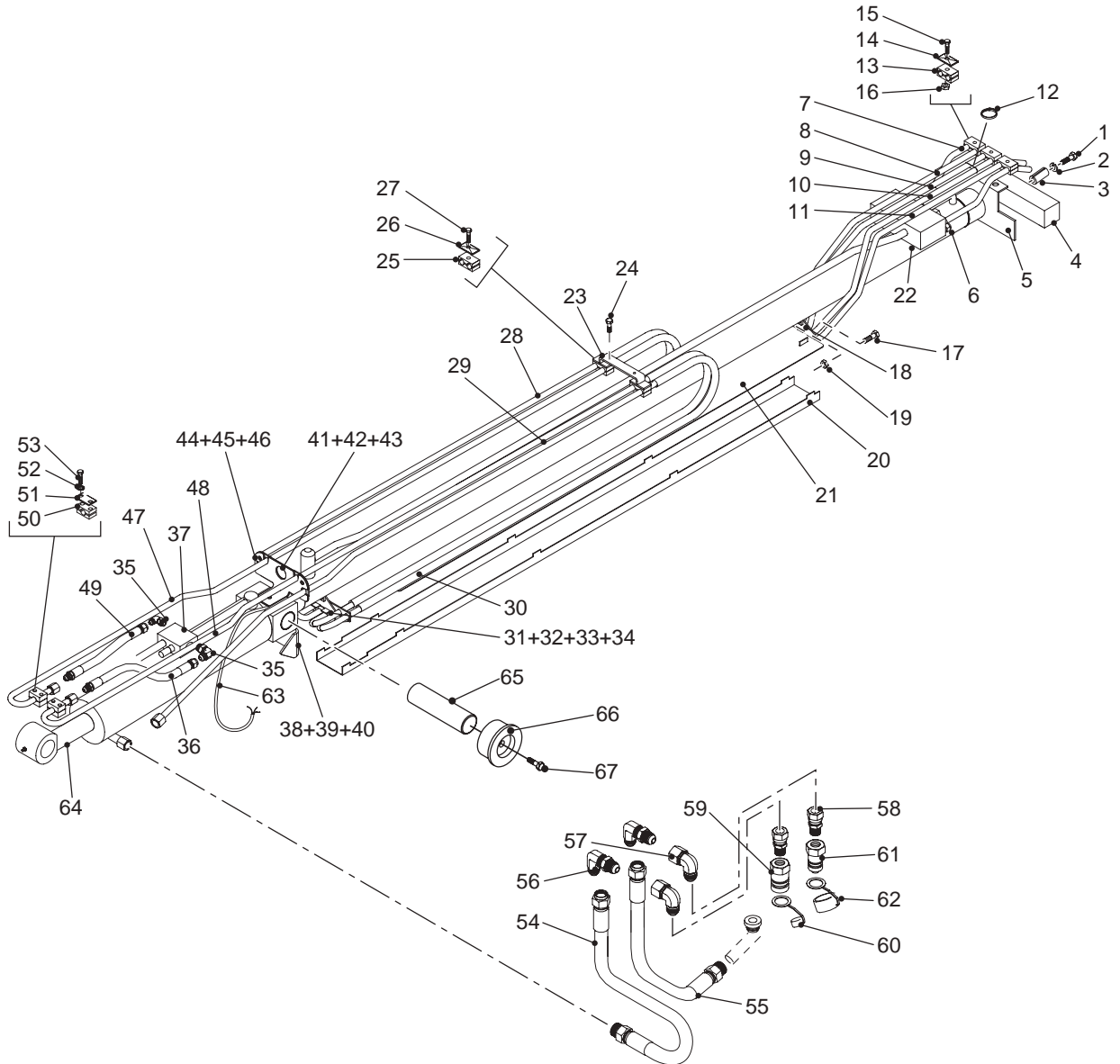
Steering - Rear Axle

Recurrence of previous drawing



SPC002016

Boom Hydraulic Installation



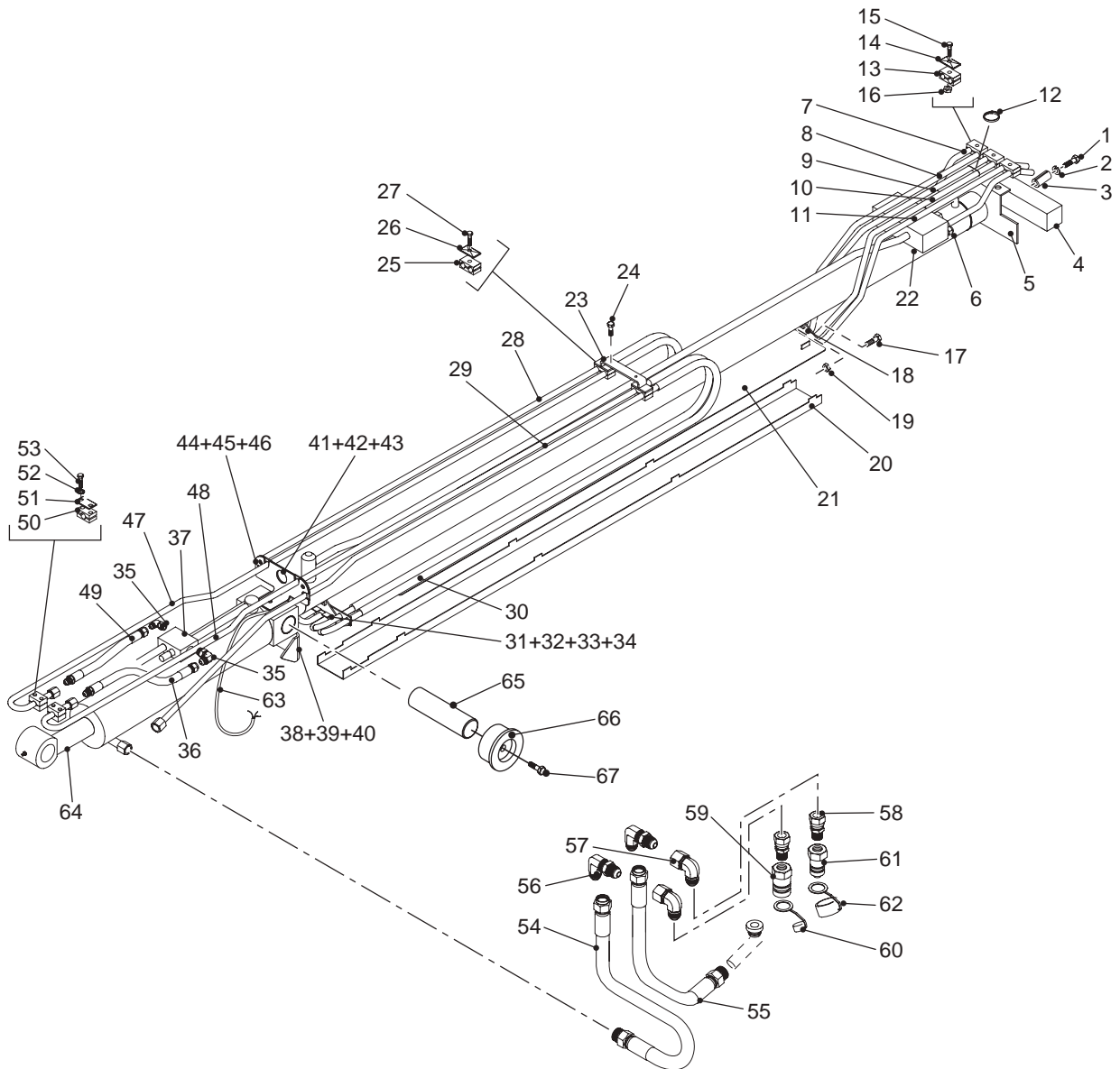
SPC003038

Boom Hydraulic Installation

Item	Part Number	Denomination	Remarks	Serial Number	Qty
1	77492.7	Screw			1
2	89518.5	Washer			1
3	100357-03X	Pin			1
4	77798.7	Support			1
5	88523.8	Support			1
6	014375-30H	Adapter			2
7	77792.0	Hydraulic pipe			2
8	77386.1	Tube			1
9	77387.9	Tube			1
10	77388.7	Tube			1
11	77389.5	Tube			1
12	01275.7	Clamp			11
13	55932.8	Clamp			3
14	54215.9	Plate			3
15	01508.1	Screw			3
16	51851.4	Nut			3
17	01604.8	Screw			1
18	77791.2	Spacer			1
19	100345-09A	Nut			1
20	77396.0	Support			1
21	77652.6	Panel			1
22	6912582	Telescope cyl assy	For details, see page 131		1
	6913007	Telescope cyl assy	For details, see page 133		1
23	89390.9	Bracket			1
24	01595.8	Screw			2
25	55932.8	Clamp			2
26	54215.9	Plate			2
27	01578.4	Screw			2
28	77777.1	Hose			1
29	77778.9	Hose			1
30	77397.8	Hose			4

Boom Hydraulic Installation

Recurrence of previous drawing



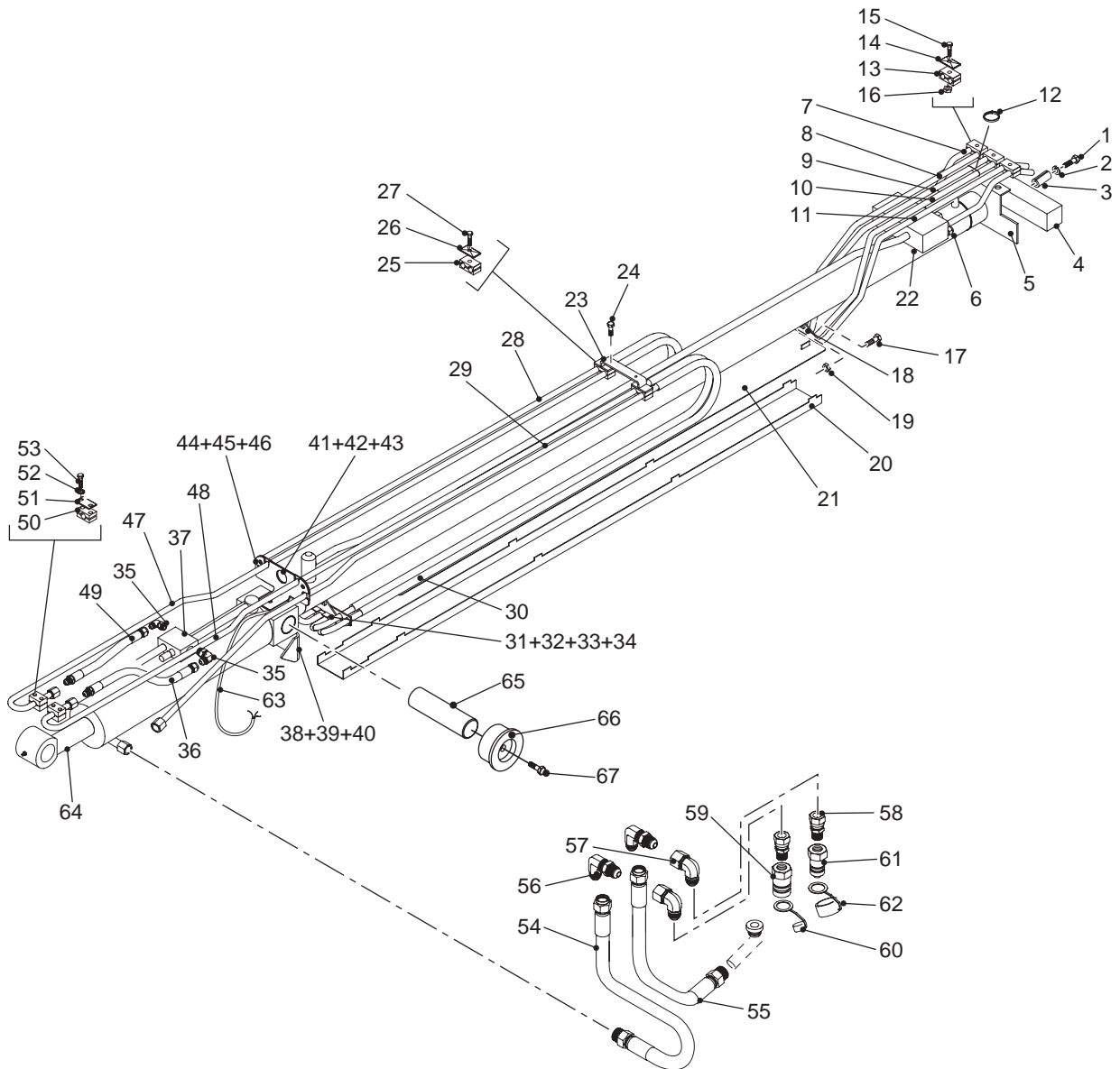
SPC003038

Boom Hydraulic Installation

Item	Part Number	Denomination	Remarks	Serial Number	Qty
31	77655.9	Pin			1
32	77402.6	Support			1
33	01604.8	Screw			1
34	100345-09A	Nut			1
35	65285.9	Elbow			2
36	94414.0	Hose			1
38	77794.6	Support			1
39	89516.9	Washer			1
40	01604.8	Screw			1
41	77784.7	Support			1
42	89516.9	Washer			1
43	01604.8	Screw			1
44	77394.5	Bracket			2
45	32090.3	Screw			2
46	100345-09A	Nut			2
47	90180.1	Tube			1
48	90179.3	Tube			1
49	80407.0	Hose			1
50	61358.8	Collar			2
51	61357.0	Welding plate			2
52	01717.8	Washer			4
53	001338-08T	Screw			4
54	76367.2	Hose			1
55	77398.6	Hose			1
56	010370-57L	Elbow			2
57	010370-90W	Elbow			2
58	022375-06W	Adapter			2
59	95993.2	Female Coupling			1
60	96514.5	Cap			1
61	95994.0	Male coupling			1
62	96513.7	Cap			1

Boom Hydraulic Installation

Recurrence of previous drawing



SPC003038