

M-3B Terratrak Forklift

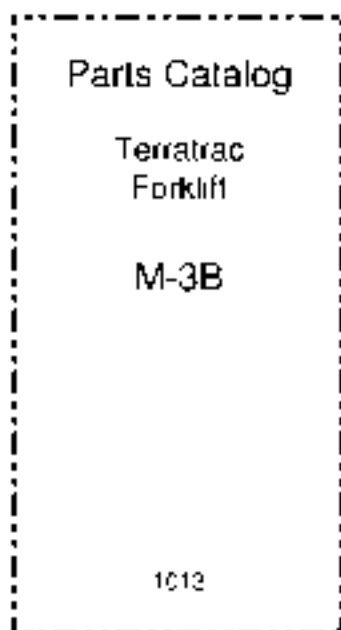
Parts Catalog

1013

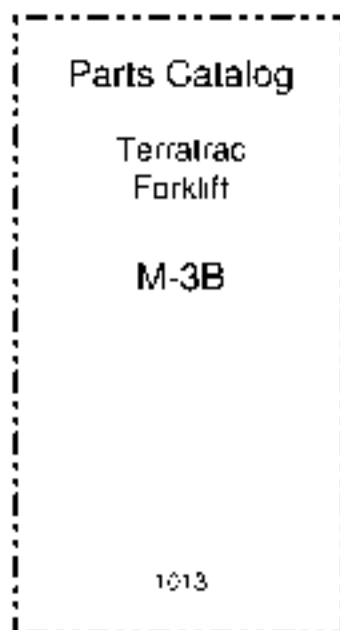
Reprinted

CASE

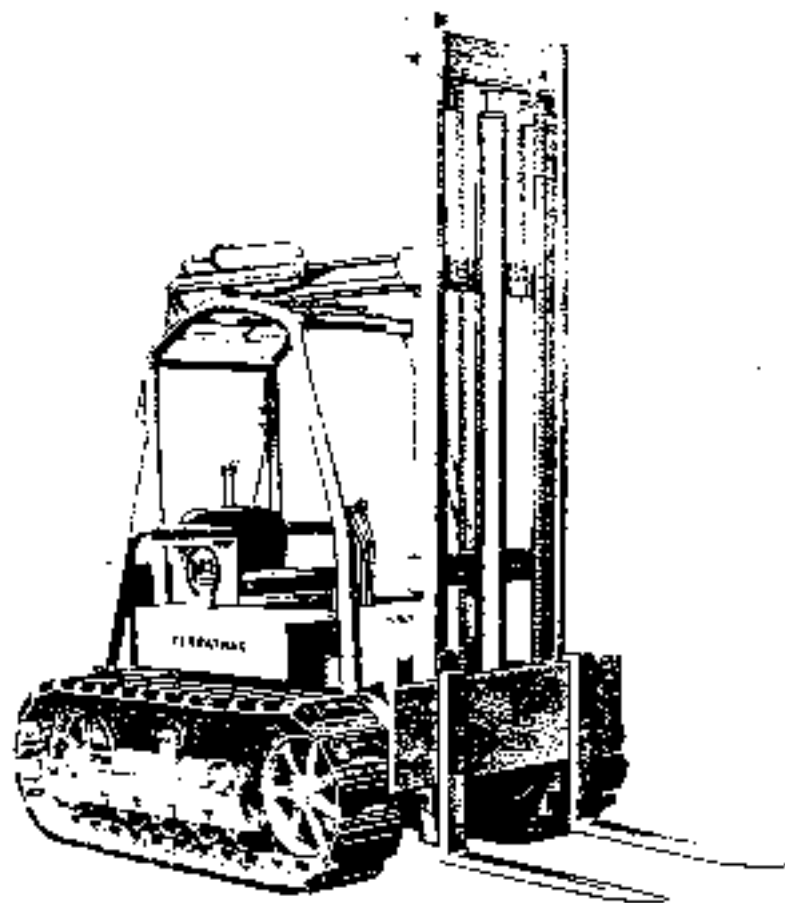




1. Trim along the dotted line
2. Slide into the pocket on the Binder spine



1. Trim along the dotted line
2. Slide into the pocket on the Binder spine



MODEL M-3B TERRATRAC FORK LIFT

PARTS CATALOG
No. 1013



J. I. CASE CO.

Est. 1842 Racine, Wisconsin, U. S. A.

PARTS CATALOG

No. 1013

MODEL M-3B TERRATRAC FORK LIFT



J. I. CASE CO.

Est. 1842 Racine, Wisconsin, U. S. A.

SELL GENUINE CASE PARTS

Emergency stocks of Genuine CASE Parts and Supplies carried for quick distribution at the following Branches:

ADVANCE FREIGHT will be added to the price of goods delivered from Branch Houses marked (*)

BRANCH HOUSES

California.....*Oakland	New York.....Syracuse
Georgia.....Atlanta	Ohio.....Columbus
Indiana.....Indianapolis	Oregon.....*Portland
Maryland.....Baltimore	Texas.....Dallas
Minnesota.....Minneapolis	Tennessee.....Memphis
Missouri.....Kansas City	Wisconsin.....Racine

CANADA

Alberta.....Calgary
 Manitoba.....Winnipeg
 Ontario.....Toronto

IMPORTANT — Read Carefully

INSTRUCTIONS FOR ORDERING CASE PARTS

DO NOT FAIL to order by correct Part Number.

ORDER EARLY - Do not delay ordering until you are about to use the parts.

Orders should plainly specify: Quantity, Number and Description of Part, Post Office Address, Shipping Station, County and State, Manner of Shipment - Parcel Post, Express or Freight. Sign all orders plainly.

If unable to locate number of part to be replaced or if uncertain as to the correct number, send old part to Branch as a sample, transportation charges prepaid, and marked plainly with your name and address so that it may be readily identified.

If it is not practical to send old part to Branch, be sure to give a good description of it and also give the numbers of some of the principal cast parts on the same machine; this will help to identify the part.

I N F O R M A T I O N

To make it simple as possible to locate the number of parts to be replaced, the parts catalog is divided into sections or groups. Use the index to locate the group in which you would assume the part would be listed. The numerical index at rear of catalog will indicate the page on which the part number is described.

Look for the number on the old part and notice if the printed description of the number conforms to the part to be replaced.

Parts are listed in order by reference number of illustration, followed by a full description, part number and quantity required per tractor.

The illustrations are "Exploded Views" of each unit showing the individual parts clearly and in their normal relationship to one another. This method of illustrating makes it easy to locate parts, whether they are ordered by description or by part number. Reference numbers only are shown in the illustrations. These numbers correspond to those in the reference number column in the list of parts which follows each exploded view.

When ordering parts be sure to include the correct part number, (not the reference number) the description and quantity desired along with the model, serial number and motor number of the tractor.

UTILITY CODE

Apjaa	Ship on first car.	Ctoba	Parcel post special delivery.
Atpda	Not in stock.	Ctrda	Mail our dealer at.....
Bibga	If not in stock, wire Works to ship.	Ctsea	Mark dealer order number on shipping tags and invoices.
Bifka	Freight.....at.....charge us.	Ctufa	Truck open our dealer at.....
Bigla	Express.....charge us.	Habha	We have your telegram.
Bjdba	Mail.....charge us.	Haoca	We have your letter.
Bjgea	Mail open account.	Hapda	See our letter.
Bkdba	Add charges.	Harea	See our telegram.
Bnkga	Express our dealer at.....	Hasfa	Advise us by wire.
Bnlha	Freight our dealer at.....	Hatga	Advise us by mail.
Crfsa	Wire, if for any reason immediate shipment cannot be made.	Hdkya	See your letter.
Csmza	Charge through account of dealer at.....	Hdlza	See your telegram.

ALPHABETICAL INDEX

- A -

ACCELERATOR.....	53
ACCELERATOR LINKAGE.....	63
AIR CLEANER.....	71
AMMETER.....	67
AXLE SHAFT.....	17

- B -

BATTERY.....	65
BATTERY HOLD DOWN.....	65
BEARINGS - engine connecting rods.....	27
BEARINGS - engine main.....	27
BUCKET INSTALLATION.....	111
BUSHING - camshaft.....	31
BUSHING - piston pin.....	27

- C -

CABLES - spark plug.....	43
CAMSHAFT - engine.....	31
CEMENT BUCKET.....	125
CARBURETOR - engine.....	37
CHOKE.....	65
CLUTCH.....	45
COIL - engine.....	43
CONNECTING RODS - engine.....	27
COUNTERWEIGHT.....	7
CRANKCASE - engine.....	21
CRANKCASE GUARD.....	101
CRANKSHAFT - engine.....	27
CYLINDER - bucket dump.....	111 & 131
CYLINDER - load clamp.....	127 & 135
CYLINDER - mast tilt.....	51 & 53
CYLINDER - terrallogger lift.....	115 & 133

- D -

DASH PANNEL.....	67
DECALS.....	95
DISTRIBUTOR - engine.....	43
DOZER.....	123

- E -

ENGINE - camshaft & oil pump.....	31
ENGINE - carburetor.....	37
ENGINE - crankcase & head.....	21
ENGINE - crankshaft & pistons.....	27
ENGINE - electrical parts.....	43
ENGINE - fuel pump.....	35
ENGINE - kits.....	108
ENGINE - governor.....	39
ENGINE - oil filter.....	41
ENGINE - water pump.....	33
EXTENSIONS - mast.....	115

- F -

FENDER & TANK.....	65
FILTER - engine oil.....	41
FILTER - hydraulic oil.....	55
FINAL DRIVE.....	17
FLOOR PLATE.....	63
FLYWHEEL.....	29
FLYWHEEL HOUSING.....	25
FORKS - mast.....	107
FRAME - engine.....	7
FRONT END PLATE - engine.....	21
FUEL LINES.....	69
FUEL PUMP.....	35
FUEL STRAINER.....	69

- G -

GAUGE STICK & CAP - hyd. oil.....	65
GAUGE STICK - oil.....	21
GEAR COVER - engine.....	21
GENERATOR.....	43
GOVERNOR - engine.....	39
GREASE GUN.....	95 & 101
GUARD - crankcase.....	101
GUARD - overhead.....	51
GUARDS - rock.....	105

- H -

HEAD LIGHTS.....	87
HEAT INDICATOR.....	67
HOOD - engine.....	73
HOOR METER.....	99
HYD. SYSTEM - bucket.....	113
HYD. SYSTEM - load clamp.....	129
HYD. SYSTEM - standard tractor.....	55
HYD. SYSTEM - terrallogger.....	117

- I -

IGNITION SWITCH.....	67
----------------------	----

- K -

KITS - engine.....	108
--------------------	-----

- L -

LEVERS - brake.....	63
LEVERS - hydraulic.....	63
LIGHT SWITCH - head.....	67
LIGHT SWITCH - tail.....	67
LOAD CLAMP.....	127
LOADER INSTALLATION.....	111

ALPHABETICAL INDEX (Continued)

5

- M -

MANIFOLD - engine.....	23
MAST EXTENSIONS.....	119
MAST FORKS.....	107
MAST - part I.....	87
MAST - part II.....	89
MAST - part III.....	91
MAST - part IV.....	93
MOUNTING PLATE - mast.....	19
MUD PAN - track.....	75
MUFFLER.....	73

- O -

OIL FILTER - engine.....	41
OIL FILTER - hydraulic.....	55
OIL PRESSURE - gauge.....	67
OIL PUMP - engine.....	31
OVERHEAD GUARD.....	51

- P -

PEDAL - clutch.....	15
PINS - piston.....	27
PISTON - engine.....	27
PIVOT BAR.....	19
PIVOT BLOCK - track.....	75
PRESSURE SWITCH.....	99
PULL HOOK.....	83
PULLEY - fan.....	27
PUMP - engine oil.....	31
PUMP - fuel.....	31
PUMP - hydraulic.....	55 & 59
PUMP - water.....	33

- R -

RADIATOR.....	73
RADIATOR SHROUD.....	73
RAIN CAP.....	73
RECOIL SPRING.....	75
RECOIL SPRING HOUSING.....	75
RING GEAR - flywheel.....	29
RINGS - piston.....	29
ROCK GUARDS.....	105

- S -

SEAT.....	65
SEAT CUSHIONS.....	65
SIDE PLATE.....	19
SOLENOID SWITCH.....	43
SPACER TUBES - $\frac{E}{d}$	13
SPARK PLUG.....	43
SPROCKET - tractor drive.....	83
STARTER.....	43

-S- (CONT'D)

STARTER SWITCH.....	67
STEERING RODS.....	65
SUPPORT - engine.....	7

- T -

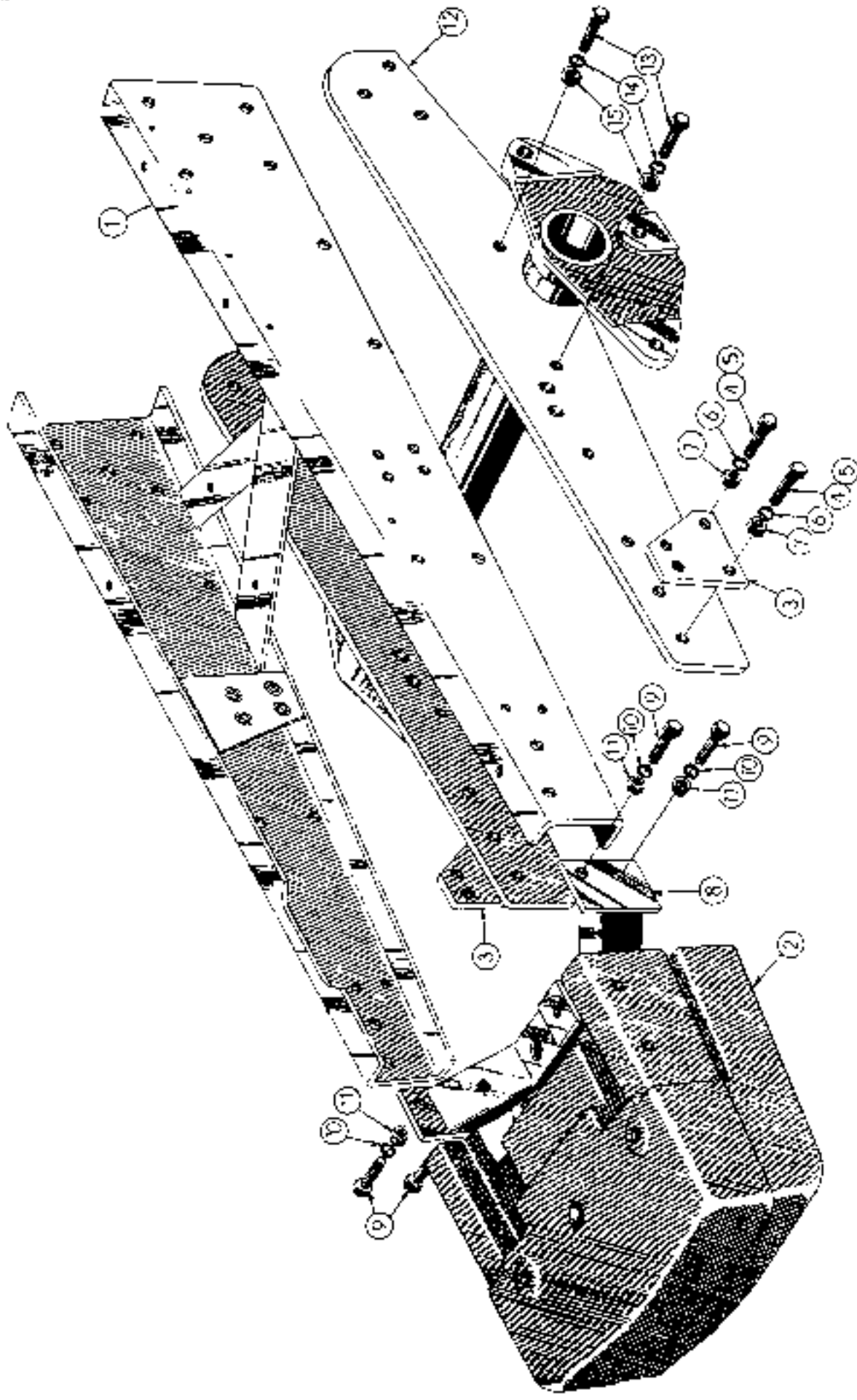
TAIL LIGHTS.....	73
TANK & FENDER - hyd. & fuel.....	65
TAPPETS - valve.....	31
TERRALOGGER.....	115
THERMOSTAT.....	43
TOOLS & EQUIPMENT.....	95
TORQUE CONVERTER.....	45
TORQUE TUBE.....	7
TRACK CHAIN.....	85
TRACK FRAME.....	75
TRACK FRONT IDLER.....	81
TRACK ROLLERS.....	77
TRACK SHOES.....	103
TRACK SUPPORT IDLERS.....	79
TRANSMISSION - part I.....	9
TRANSMISSION - part II.....	11

- V -

VALVE - engine.....	31
VALVE - hydraulic.....	55 & 61
VALVE COVER.....	67
VALVE COVER - engine.....	23
VALVE GUIDES - engine.....	31
VALVE SPRINGS - engine.....	31
VOLTAGE REGULATOR.....	43

- W -

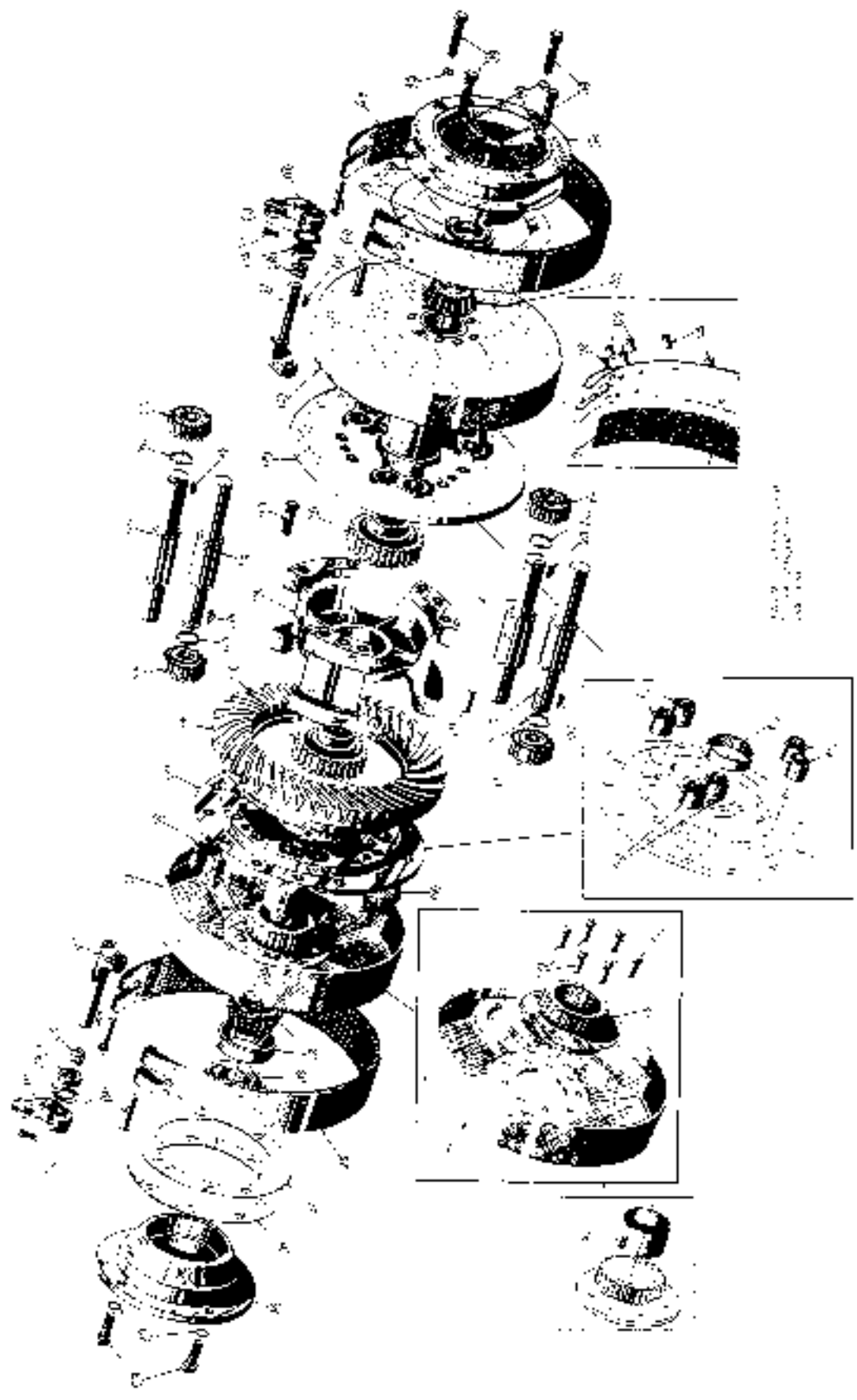
WATER PUMP.....	33
WRENCHES.....	95
WIRING HARNESS.....	67



ENGINE FRAME, COUNTERWEIGHT, & TORQUE TUBE INSTALLATION

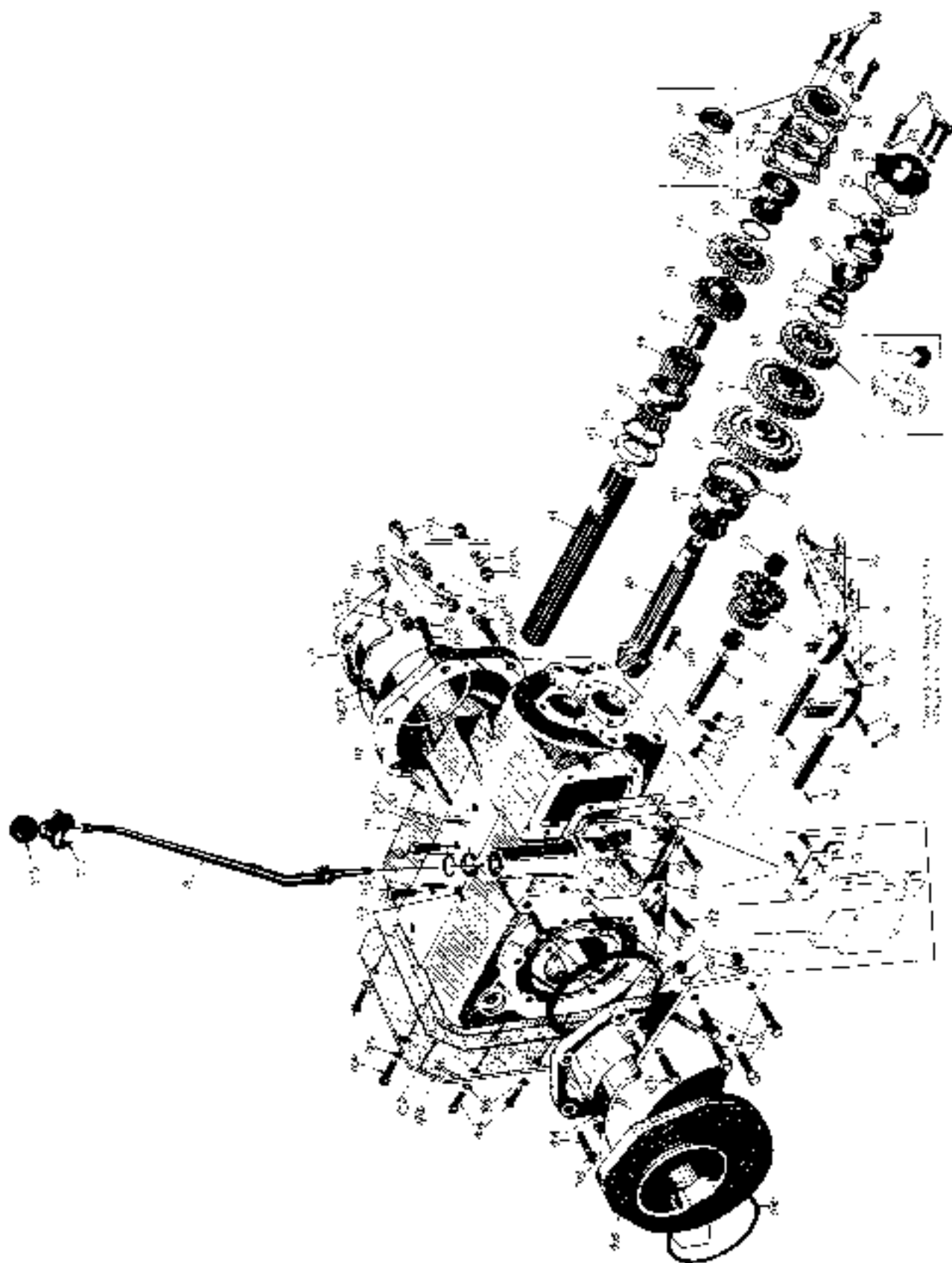
ENGINE FRAME, COUNTERWEIGHT & TORQUE TUBE INSTALLATION

<u>REF.</u>	<u>PART NO.</u>	<u>DESCRIPTION</u>	<u>REQ'D.</u>
1	D20193	FRAME ASS'Y, - engine.....	1
2	60753	COUNTERWEIGHT - (1000 lbs.).....	1
3	D20187	PLATE - attaching.....	2
4	14-1272	HECS - 3/4-16 NF x 4 1/2 (60753 & D20187 mt'g.)..... (45794) ..	2
5	14-1280	HECS - 3/4-16 NF x 5 (70753 & D20187 mt'g.)..... (45795) ..	2
6	92-12	WASHER - med, sec, lock..... (48452) ..	4
7	25-1112	NUT - reg. SF hex (3/4-16 NF)..... (48107) ..	4
8	30470	BRACKET - engine support.....	1
9	14-832	HECS - 1/2-20 NF x 2 (30470 mt'g.)..... (45710) ..	4
10	92-8	WASHER - med, sec, lock..... (48448) ..	4
11	25-118	NUT - reg. SF hex (1/2-20 NF)..... (48104) ..	4
12	D20175	TUBE ASS'Y, - torque.....	-
13	14-1028	HECS - 5/8-18 NF x 1 3/4 (D20175)..... (45759) ..	4
14	92-10	WASHER - med, sec, lock..... (48450) ..	4
15	25-1110	NUT - reg. SF hex (5/8-18 NF)..... (48106) ..	4



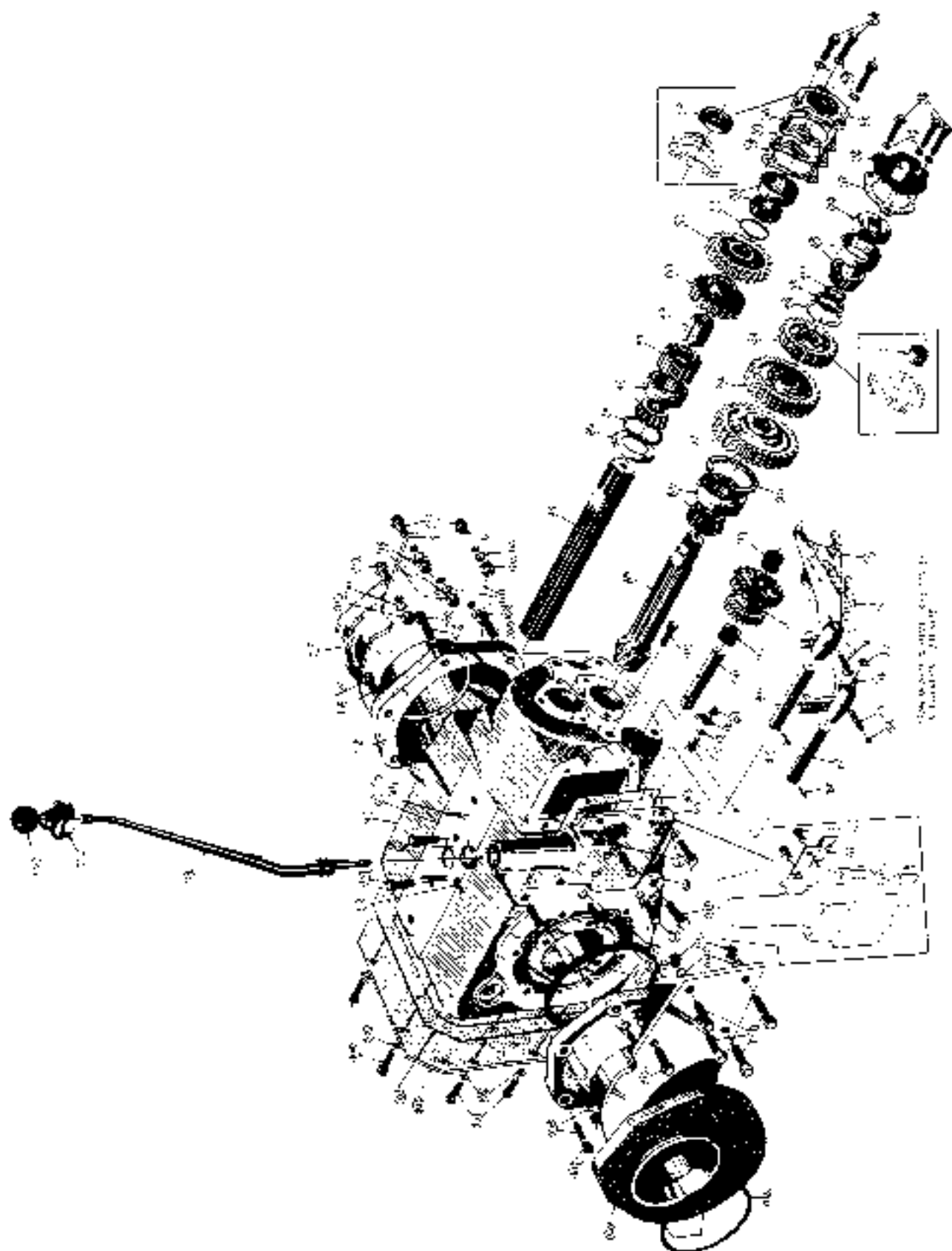
TRANSMISSION & FINAL DRIVE SPACER INSTALLATION

<u>REF.</u>	<u>PART NO.</u>	<u>DESCRIPTION</u>	<u>REQ'D.</u>
	D20301	TRANSMISSION ASS'Y. - complete.....	1
	D20533	DIFFERENTIAL & DRUM ASS'Y.....	1
3	D20535	DRUM, GEAR & BUSHING ASS'Y. - brake.....	2
4	14935	DRUM - brake.....	1
5	D20534	GEAR & BUSHING ASS'Y.....	1
6	11288	BUSHING - gear.....	1
7	14934	RIVET - brake drum.....	10
8	11412	HOUSING ASS'Y. - differential. R.H.....	1
9	11410	HOUSING ASS'Y. - differential. L.H.....	1
10	11414	BUSHING - planet pin.....	6
11	11415	BUSHING - axle shaft gear.....	1
12	11417	GEAR - ring.....	1
13	D20538	GEAR - axle shaft.....	2
14	11423	HOUSING - center member.....	1
15	11424	SCREW - differential center member.....	12
	11416	WIRE - lock, center member screw.....	6
16	11421	SCREW - ring gear.....	12
	11416	WIRE - lock, center member screw.....	1
17	D20536	GEAR - planet.....	6
18	D20537	PINION - planet.....	6
19	11455	RING - snap. planet gear.....	6
20	126-16	KEY - #9 Woodruff..... (48755)	6
21	11422	DOWEL - differential center member.....	6
22	11445	BEARING ASS'Y. - differential.....	2
23	14927	BAND & LINING ASS'Y. - brake.....	2
24	14928	LINING - brake band.....	1
25	11436	RIVET - brake band lining.....	18
26	14930	RIVET - brake band.....	6
27	11438	CAM - brake band.....	2
28	11439	SPRING - brake cam.....	2
29	11431	SEAL - oil, brake cam.....	2
30	11440	WASHER - brake cam.....	2
31	11441	LEVER - brake, outside.....	2
32	11433	SCREW - adj. arm & end fork.....	2
33	48760	KEY - #11 Woodruff.....	2
34	11432	PIN - brake band to cam.....	4
	132-26	PIN - cotter. 3/32 dia. x 3/4..... (48683)	4
	11416	WIRE - lock, adjustment wire.....	2
35	11430	SEAL - oil, differential.....	2
36	11425	CARRIER - differential bearing.....	2
37	11426	SKIM - differential bearing carrier (.010).....	U&R
38	11427	SKIM - differential bearing carrier (.005).....	2
39	13-820	NUTS - 1/2-13 NC x 1 1/4 (11425 mt'g.)..... (45107)	6
40	92-8	WASHER - med. sec. lock..... (48448)	8



TRANSMISSION & FINAL DRIVE SPACER INSTALLATION

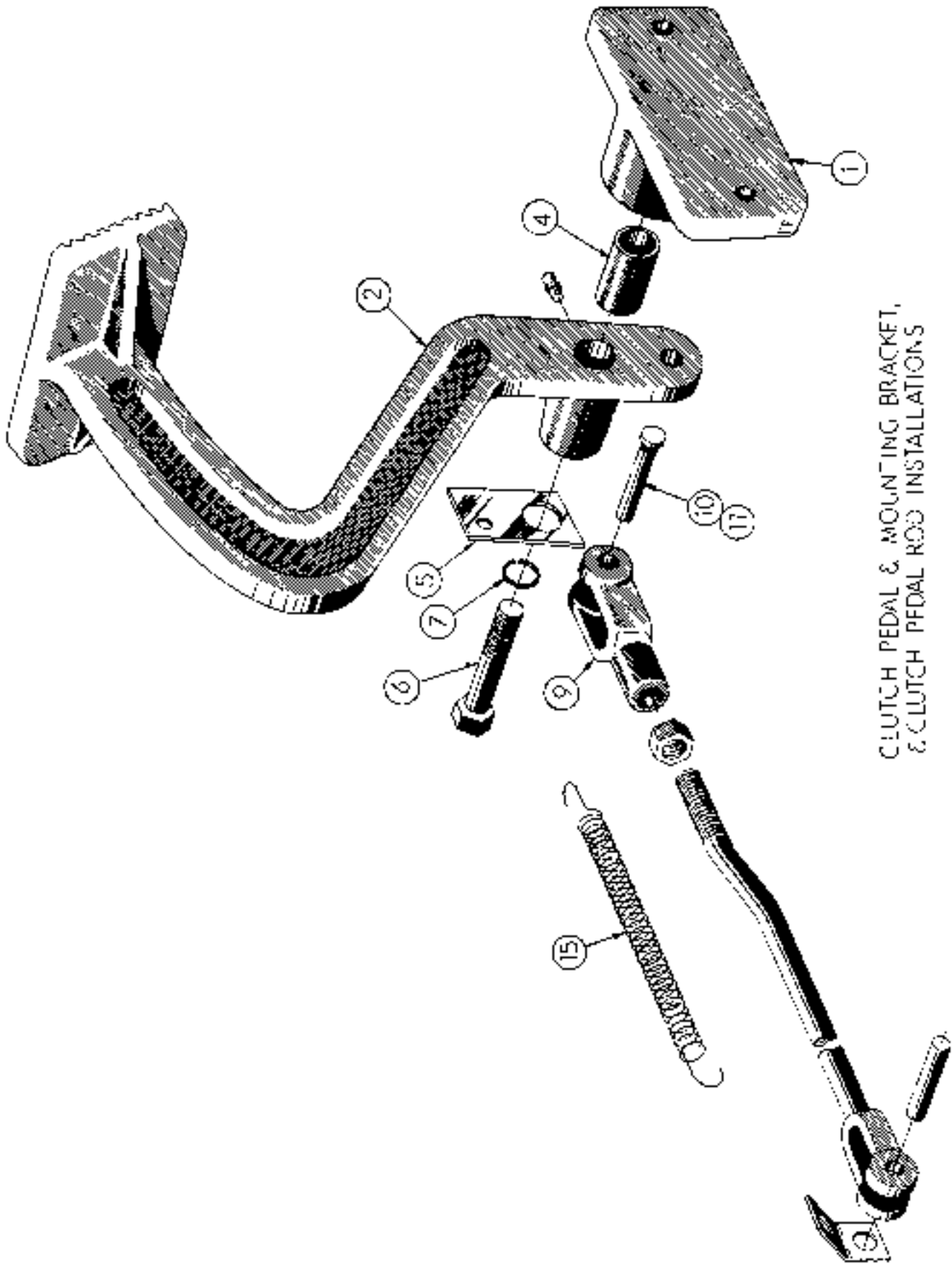
REF.	PART NO.	DESCRIPTION	REQ'D.
	D20301	TRANSMISSION ASS'Y, - complete (cont'd.)	1
41	11361	CASE ASS'Y, - transmission	1
42	11451	RING - snap, c/s rear bearing	1
	41823	PLUG - pipe, case drain & oil level (not shown)	3
43	41825	PLUG - pipe, case filler	1
44	11362	MAINSHAFT	1
45	11371	CUP - oil, m/s rear bearing	1
46	11453	RING - snap, m/s rear bearing	1
47	11449	BEARING ASS'Y, - m/s rear	1
48	11363	GEAR - m/s low & reverse	1
49	35130	SPACER - m/s gear	1
50	11365	GEAR - m/s 2nd speed	1
51	11366	GEAR - m/s constant mesh	1
52	VT2111	RING - snap, m/s	1
53	11449	BEARING ASS'Y, - m/s front	1
54	11382	GASKET - m/s front bearing cap	1
55	11367	SHIM - m/s front bearing	UAR
56	11368	SHIM - m/s front bearing	UAR
	D20541	SHIM - m/s front bearing (not shown)	UAR
57	11369	CAP & OIL SEAL - (inc. ref. # 59)	1
58	23016	NUTS & LOCKWASHER - 3/8-16 NC x 1"	3
59	11370	SEAL - oil, m/s front bearing	1
60	11372	COUNTERSHAFT & BEVEL PINION	1
61	11448	BEARING ASS'Y, - c/shaft rear	1
62	11373	GEAR - c/s 1st & reverse	1
63	11374	GEAR - sliding, 2nd & 3rd	2
64	11375	GEAR & BUSHING ASS'Y, - 3rd	1
65	11376	BUSHING - c/s 3rd gear	1
66	11379	RING - snap, c/s front brg	1
67	11378	WASHER - retaining, c/s 3rd gear	1
68	11377	WASHER - spring, c/s 3rd gear	1
69	11448	BEARING ASS'Y, - c/s front	1
70	11380	NUT - adjusting, c/s front bearing	1
71	11382	GASKET - c/s front bearing cap	1
72	11381	CAP - c/s front bearing	1
73	D20542	SCREW - c/s front bearing cap	3
74	34592	SHAFT ASS'Y, - reverse idler (inc. ref. # 80)	1
75	11450	BEARING - reverse idler	2
76	11383	GEAR - reverse idler	1
77	11385	LOCK - reverse idler shaft	1
78	13-610	NUTS - 1/8-16 NC x 5/8 (45053)	1
79	193-10	WASHER - lock, shakeproof (48526)	1
80	D20543	PLUG - reverse idler shaft hole	1
81	11396	ROD - shift, 1st & reverse	1
82	11397	ROD - shift, 2nd & 3rd	1
83	11398	PIN - lock, shift rod, short	1
84	11399	PIN - lock, shift rod, long	1
85	11400	FORK - shift, 1st & reverse	1
86	11401	FORK - shift, 2nd & 3rd	1
87	11403	SPRING - mesh lock	2
88	VT4913	BALL - mesh lock	2
89	11456	SPACER - 1st & reverse shift fork	1
90	37237	COVER & GUIDE ASS'Y, - control	1
91	11389	PLATE - guide	1
92	11390	RIVET - shift guide plate	2
93	11392	GASKET - control cover	1
94	13-614	NUTS - 1/8-16 NC x 7/8 (37911 mt'g.) (45055)	4
95	92-6	WASHER - med. sec. lock (48446)	4
96	11393	WASHER - pivot, gear shift lever	1
97	11454	RING - snap, gear shift lever	1



TRANSMISSION & FINAL DRIVE SPACER INSTALLATION

23

<u>REF.</u>	<u>PART NO.</u>	<u>DESCRIPTION</u>	<u>REQ'T.</u>
98	37238	LEVER - gear shift.....	1
99	31365	PIN - stake, gear shift lever.....	1
100	VC2D17	COVER - dust, gear shift lever.....(11394)..	1
101	O3501AD	KNOB - gear shift lever.....(11395)..	1
102	11429	GASKET - hsq, cover plate.....	1
103	32258	PLATE - hsq, cover.....	1
104	13-720	HNCS - 7/16-14 NC x 1 1/4 (32258 mt'g.).....(45092)..	11
105	92-7	WASHER - med, sec, lock.....(48447)..	11
106	60766	TUBE ASS'Y, - final drive spacer, R.H.....	1
107	60767	TUBE ASS'Y, - final drive spacer, L.H.....	1
108	46505	STUD - 9/16-18 NF x 2 1/2 (D20301 mt'g.).....	12
109	11933	NUT - lock (9/16-18 NF).....	12
110	13-916	HNCS - 9/16-12 NC x 1" (top plug).....(45131)..	4
111	13-1020	HNCS - 5/8-11 NC x 1 1/4 (front plug).....(45157)..	1
112	13-1220	HNCS - 3/4-10 NC x 1 1/4 (side plug).....(45182)..	4
	D20340	STUD - transmission case filler (front).....	4
113	14-1048	HNCS - 5/8-18 NF x 3 (60766 & 60767 mt'g.).....(45764)..	5
	14-1056	HNCS - 5/8-18 NF x 3 1/2 (60766 & 60767 mt'g.).....(45766)..	1
	14-1036	HNCS - 5/8-18 NF x 2 1/4 (60766 & 60767 mt'g.).....(45761)..	1
	14-1028	HNCS - 5/8-18 NF x 1 3/4 (60766 & 60767 mt'g.).....(45759)..	3
114	92-10	WASHER - med, sec, lock.....(48450)..	10
115	25-1110	NUT - reg, SF hex (5/8-18 NF).....(48106)..	10
116	11938	SEAL - "O" ring, f/d outer flange.....	2
117	32369	SEAL - flange to transmission.....	2



CLUTCH PEDAL & MOUNTING BRACKET,
& CLUTCH PEDAL ROD INSTALLATIONS

CLUTCH PEDAL & MT'G. BRACKET INSTALLATION

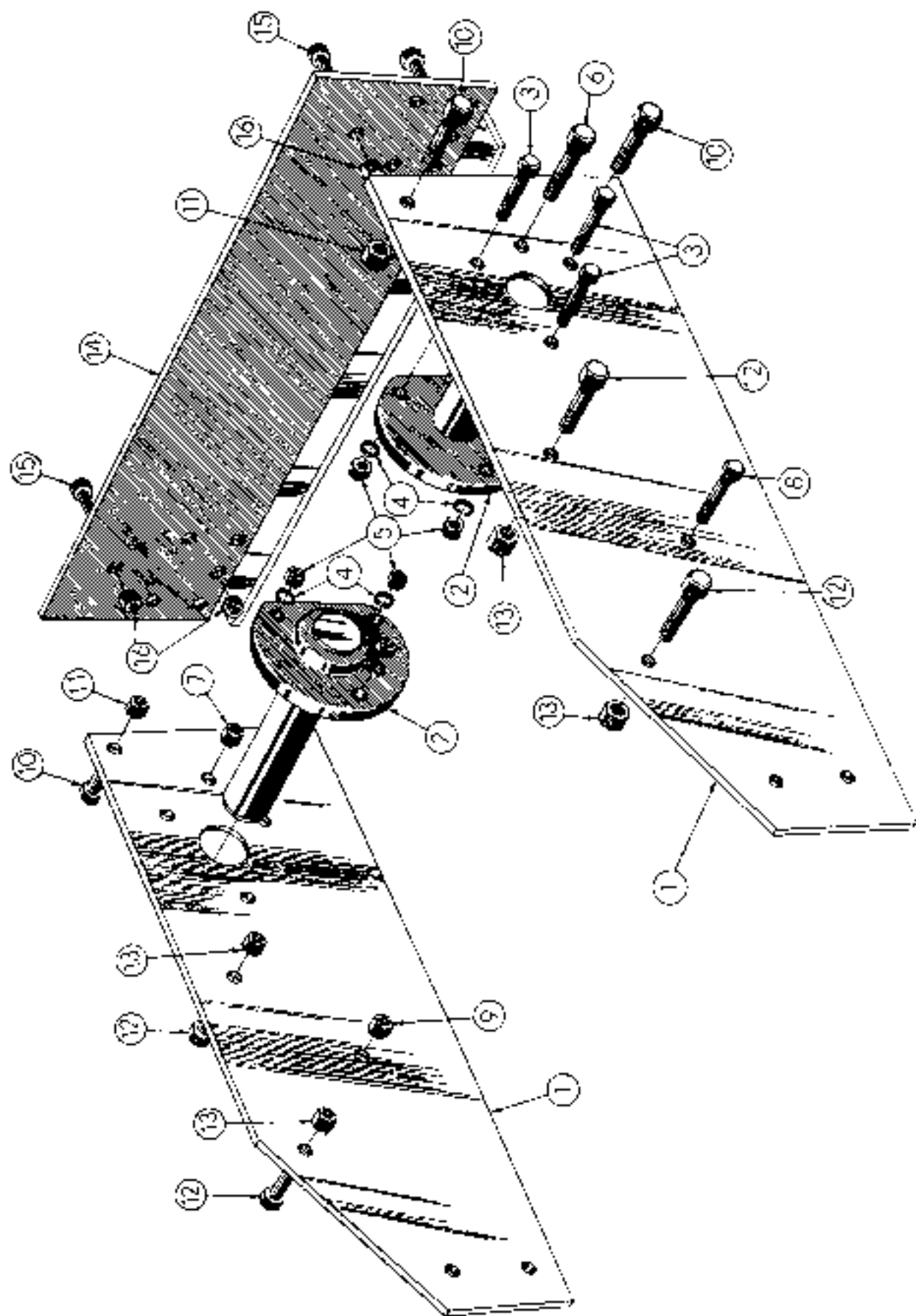
15

<u>REF.</u>	<u>PART NO.</u>	<u>DESCRIPTION</u>	<u>REQ'D.</u>
1	60557	BRACKET - clutch pedal mounting.....	1
2	D20160	PEDAL - clutch.....	1
3	40275	FITTING - straight drive type grease.....	1
4	11031	BUSHING - clutch pedal.....	1
5	11470	ANCHOR - spring.....	1
6	13-1040	SCREWS - 5/8-11 NC x 2 1/2 (D20160 mt'g.)..... (45162) ...	1
7	92-10	WASHER - med. sec. lock..... (48450) ...	1
8	D20162	ROD ASS'Y. - clutch.....	1
9	02701AB	YOKE - adjustable.....	1
10	02499AB1	PIN - yoke.....	2
11	132-48	PIN - cotter. 1/8 dia. x 1..... (48695) ...	2
12	30623	PIN - yoke.....	2
13	132-48	PIN - cotter 1/8 dia. x 1..... (48695) ...	1
14	30622	RETAINER.....	2
15	11469	SPRING - clutch pedal return.....	1
16	25-118	NUT - reg. SP hex (1/2-20 NF)..... (49104) ...	1

FINAL DRIVE & AXLE SHAFT INSTALLATION

17

<u>REF.</u>	<u>PART NO.</u>	<u>DESCRIPTION</u>	<u>REQ'D.</u>
1	11845	SHAFT - axle.....	2
2	11821	COUPLING - final drive.....	2
	11808	FINAL DRIVE ASS'Y. - R.H.....	1
	11809	FINAL DRIVE ASS'Y. - L.H.....	1
3	11816	HOUSING - final drive R.H. inner.....	1
	11817	HOUSING - final drive L.H. inner.....	1
4	11823	HOUSING - final drive outer.....	1
5	40002	BEARING - ball.....	2
6	11822	PINION - final drive.....	1
7	40003	BEARING - ball.....	1
8	11813	GEAR - final drive.....	1
9	11853	SHAFT - final drive.....	1
10	40019	BEARINGS - ball.....	1
11	40610	SEAL - oil.....	1
12	11824	SPACER - final drive shaft.....	1
13	11826	GASKET - seal retainer.....	1
14	11827	RETAINER - seal.....	1
15	13-620	NHCS - 3/8-16 KC x 1 1/4 (11827 mt'g.)..... (45057) ..	6
16	92-6	WASHER - med, sec, lock..... (48446) ..	6
17	47704	NHCS - 7/16-20 NF x 1 5/8 (11822 to 11816-7).....	12
	14-740	NHCS - 7/16-20 NF x 2 1/2 (11823 to 11816-7) ... (45687) ..	5
18	92-7	WASHER - med, sec, lock..... (48447) ..	17
19	25-117	NUT - req, SF hex (7/16-20 NF)..... (48103) ..	17
20	221-24	FLUG - pipe, cls'k, sq. hd., 1/2 NF..... (41838) ..	2
21	11916	STUD - 5/8-18 NF x 1 1/2 NC x 2 1/2 (11808-09 mt'g.).....	8
22	11934	NUT - lock (5/8-18 NF).....	8

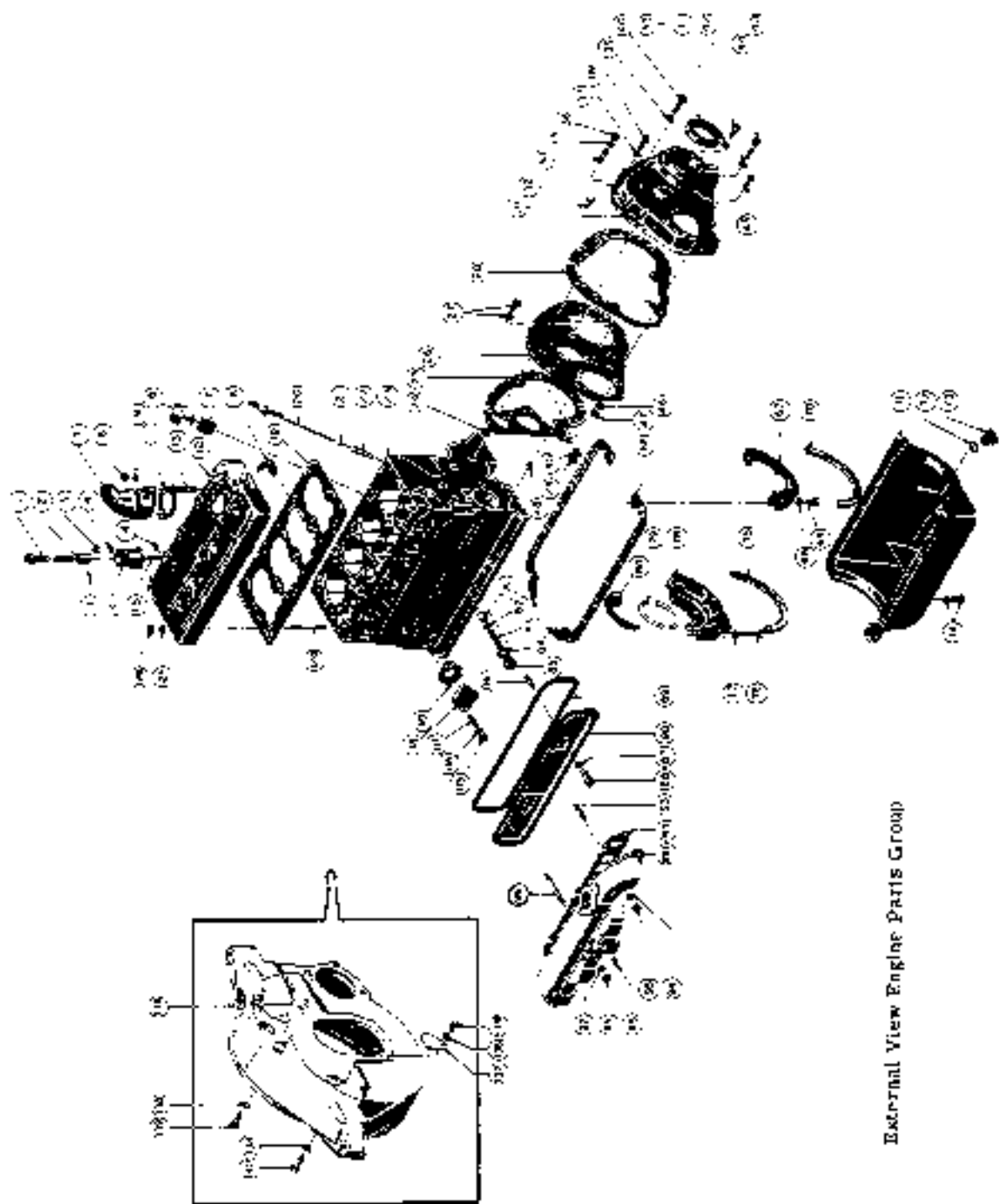


SIDE PLATE & PIVOT BAR, & MOUNTING PLATE INSTALLATION

SIDE PLATE, PIVOT BAR, MT'G, PARTS

19

<u>REF.</u>	<u>PART NO.</u>	<u>DESCRIPTION</u>	<u>REQ'D.</u>
1	60764	PLATE - side.....	2
2	33067	BAR - pivot.....	2
3	14-1240	HECS - 3/4-16 NF x 2 1/2 (33067 mt'g.)..... (45767) ..	6
4	92-12	WASHER - med. sec. lock..... (48452) ..	6
5	25-1112	NUT - reg. SF hex (3/4-16 NF)..... (48107) ..	6
6	14-1040	HECS - 5/8-18 NF x 2 1/2 (60764 mt'g.)..... (45762) ..	2
7	129-498	NUT - lock (5/8-18 NF)..... (11934) ..	2
8	14-1244	HECS - 3/4-16 NF x 2 3/4 (60764 mt'g.)..... (45788) ..	2
9	11935	NUT - hi.....	2
10	33046	BOLT - body fit (60764 mt'g.).....	4
11	129-498	NUT - hi..... (11934) ..	4
12	33047	BOLT - body fit (60764 mt'g.).....	4
13	11937	NUT - hi.....	4
14	60661	PLATE ASS'Y, - mounting.....	1
15	14-1236	HECS - 3/4-16 NF x 2 1/4 (60661 mt'g.)..... (45786) ..	4
16	11935	NUT - hi.....	4



External View Engine Parts Group

GASOLINE ENGINE INSTALLATION

CRANKCASE, CYLINDER HEAD, GEAR COVER, OIL PAN

REF.	PART NO.	DESCRIPTION	REQ'D.
1	10572	SHAFT - distributor drive.....	1
	N28	SHAFT - distributor drive.....	1
2	10573	COUPLING - distributor drive.....	1
3	10574	PIN - drive coupling.....	1
4	10571	ADAPTER - distributor.....	1
5	30438	NUT - hex (3/8-16 NC).....	1
6	92-6	WASHER - med, sec, lock..... (48446) ..	1
7	11071	ELBOW - water outlet.....	1
8	47861	NUT - hex (5/16-18 NC).....	2
9	48465	WASHER - heavy sec, lock.....	2
10		RESERVED.....	
11	10453	GASKET - water outlet elbow (see page #108 for kits).....	1
12	34026	HEAD - cylinder.....	1
13	10082	STUD - 5/16-18 NC x 2 1/8.....	2
14	221-24	PLUG - pipe, cts'k, hd., 1/2 NP..... (41838) ..	1
15	G11304	STUD - 3/8-16 NC x 1 3/8..... (10077) ..	1
16	10406	CAP ASS'Y. - oil filler.....	1
17	221-260	NIPPLE - pipe oil filler..... (41406) ..	1
18	11073	DRAINCOCK - water.....	1
19	34017	GASKET - cylinder head (see page #108 for kits).....	1
20	10411	ROD ASS'Y. - oil gauge.....	1
	N58	ROD - oil gauge.....	1
21	10416	FELT - oil gauge rod.....	1
22	10412	SUPPORT - oil gauge rod.....	1
23	34838	CYLINDER & CRANKCASE ASS'Y. - (stripped).....	1
	6021	CYLINDER & CRANKCASE ASS'Y. - (complete) [optional to 34838] ..	1
24	10312	DOWEL - ring gear cover to case.....	1
25	10315	GASKET - front end plate (see page #108 for kits).....	1
26	10311	PLATE - crankcase front end.....	1
27	10314	EHCS & LOCKWASHER ASS'Y. - (5/16-18 NC x 3/4).....	1
28	10301	GASKET - gear cover (see page #108 for kits).....	1
29	47863	NUT - hex (7/16-14 NC).....	1
30	92-7	WASHER - med, sec, lock..... (48447) ..	1
31	11069	SCREW - dowel.....	1
32	32547	COVER ASS'Y. - gear.....	1
	N58	COVER - gear.....	1
33	10972	SEAL - c/shaft oil & dust (see page #104 for kits).....	1
34	VT4521	STUD - 3/8-16 NC x 1 11/16..... (10089) ..	2
35	92-6	WASHER - med, sec, lock..... (48446) ..	2
36	30438	NUT - hex (3/8-16 NC).....	2
37	92-6	WASHER - med, sec, lock..... (48446) ..	1
38	10295	EHCS - 3/8-16 NC x 1 1/8.....	1
39	92-7	WASHER - med, sec, lock..... (48447) ..	1
40	13-724	EHCS - 7/16-14 NC x 1 1/2..... (45083) ..	1
41	10298	WASHER - copper.....	1
42	11067	EHCS & LOCKWASHER ASS'Y. - (3/8-16 NC x 1 1/8).....	2
43	13-632	EHCS - 3/8-16 NC x 2..... (45060) ..	1
44	10298	WASHER - copper.....	1
45	10295	EHCS - 3/8-16 NC x 1 1/8.....	1
46	92-6	WASHER - med, sec, lock..... (48446) ..	1
47	30438	NUT - hex (3/8-16 NC).....	1
48	10294	DOWEL - ring.....	1
49 thru 65		RESERVED.....	
66	10362	GASKET - oil pan (see page #108 for kits).....	2
67	10101	BLOCK - filler, front.....	1
68	48525	WASHER - lock, shakeproof.....	2
69	10107	EHCS - 5/16-18 NC x 7/8.....	2
70	10015	GASKET - front filler block (see page #108 for kits).....	1
71	32678	PAN ASS'Y. - oil.....	1
72	VT4520	GASKET - oil pan drain plug (see page #108 for kits).....	1

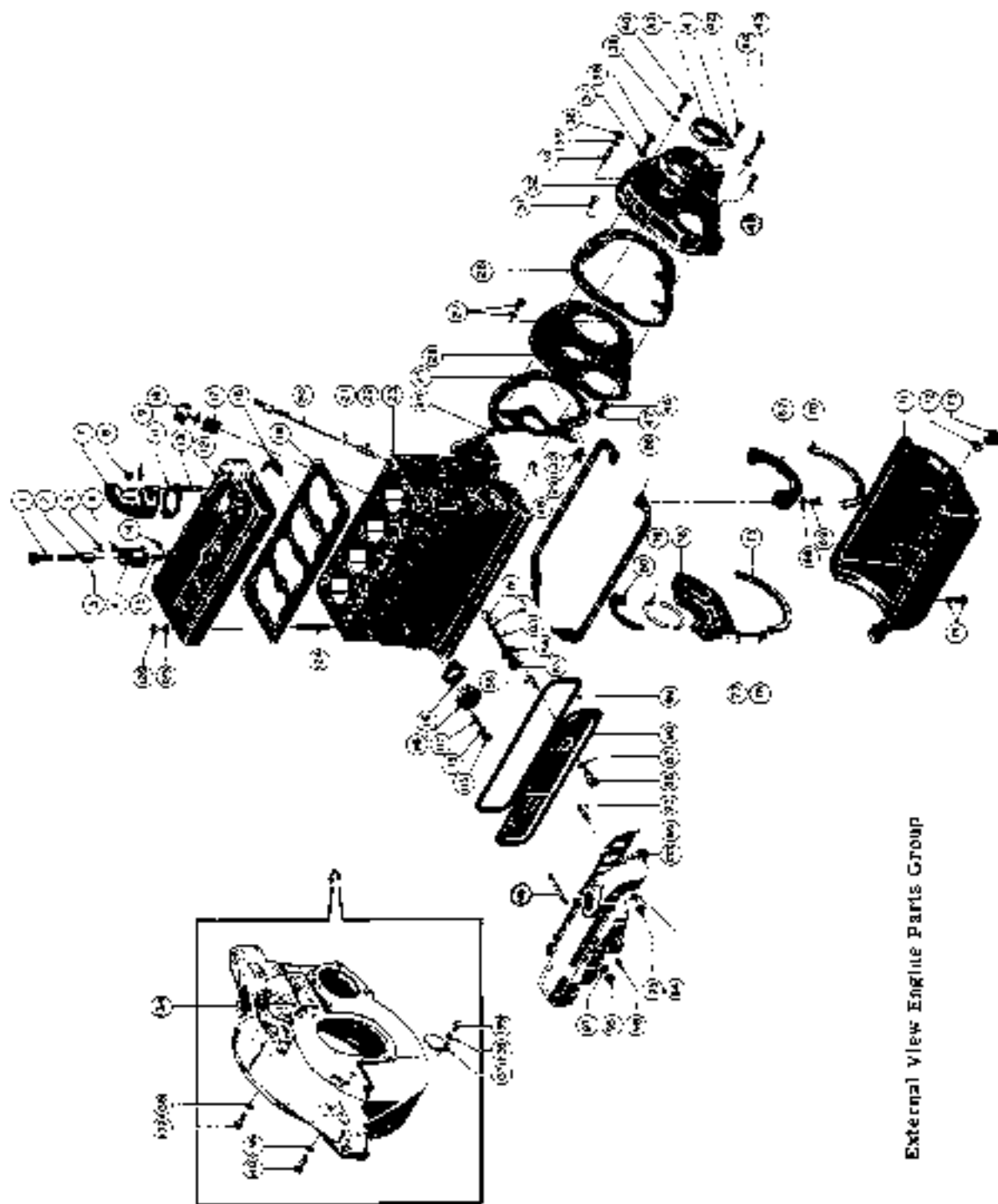
GASOLINE ENGINE INSTALLATION

CRANKCASE, CYLINDER HEAD, GEAR COVER, OIL PAN

REF.	PART NO.	DESCRIPTION	REQ'D.
73	VT4521	PLUG - oil pan drain.....(10363)	1
74	10314	SCREW & LOCKWASHER ASS'Y.....	14
75	10015	GASKET - front filler block (see page #108 for kits).....	1
76	10106	SCREW - 5/16-18 NC x 2 5/8.....	2
77	48525	WASHER - lock, shakeproof.....	2
78	10105	BLOCK - filler, rear.....	1
79	11574	SEAL - filler block, rear (see page #108 for kits).....	2
80	10109	GUARD - oil, rear bearing.....	1
81	10421	VALVE - oil pressure relief.....	1
82	11057	WASHER - relief valve adjusting.....	OAR
83	VT3354	SPRING - oil relief valve.....(10422)	1
84	10424	GASKET - oil relief valve plug.....	1
85	10423	PLUG - oil relief valve.....	1
86	10073	STUD - 1/4-20 NC x 1 3/8.....	2
87	10356	GASKET - chamber cover studs.....	2
88	11058	NUT - (1/4-20 NC).....	2
89	10357	GASKET - valve chamber cover (see page #106 for kits).....	1
90	10370	COVER ASS'Y, - valve chamber.....	1
91		RESERVED.....	
92		RESERVED.....	
93	VT4501	STUD - 3/8-16 NC x 1 11/16.....(10089)	6
94	10096	WASHER - plain.....	6
95	10452	NUT - brass (3/8-16 NC).....	7
96	11159	STUD - 3/8-16 NC x 5 1/2.....	1
97	10454	WASHER - plain.....	4
98	221-11	PLUG - pipe, ext, sq. hd., 1/8 NF.....(41820)	1
99	VT3394	GASKET - intake & exhaust manifold (see page #106 for kits)...	1
100	33371	MANIFOLD - intake & exhaust.....	2
101 thru 114		RESERVED.....	
115	47861	NUT - hex (5/16-18 NC) (shipping only).....	2
116	48465	WASHER - heavy sec. lock (shipping only).....	2
117	31173	STUD - 5/16-18 NC x 1 1/2 (shipping only).....	2
118	10121	COVER - fuel pump hole (shipping only).....	1
119	10123	GASKET - hole cover (shipping only).....	1
120 thru 123		RESERVED.....	
124	10078	STUD - 7/16-20 NF x 3 15/32.....	15
125	10143	WASHER - plain.....	15
126	10142	NUT - hex (7/16-20 NF).....	15
127 thru 133		RESERVED.....	
134	31120	HOUSING - flywheel.....	1
135	13-610	NUTS - 3/8-16 NC x 5/8.....(45053)	1
136	42-6	WASHER - med. sec. lock.....(48446)	1
137	10133	COVER - flywheel timing hole.....	1
138	48487	WASHER - light sec. lock.....	5
139	10038	SCREW - 7/16-14 NC x 1 1/8.....	3
140	10037	SCREW - dowel (7/16-14 NC x 1 7/16).....	2

PARTS NOT SHOWN

10134	FELT - flywheel timing hole cover.....	1
11580	STUD - 3/8-16 NC x 2 3/4 (manifold to c/case).....	2
11101	CRAB - (manifold to c/case).....	1
10095	PLATE - manifold cover.....	1
10067	GASKET - cover plate.....	2
30329	STUD - 3/8-16 NC x 1 5/8 (manifold cover plate mt'g.).....	2
10452	NUT - hex (3/8-16 NC) (manifold cover plate mt'g.).....	2
11067	SCREW & LOCKWASHER ASS'Y, - 3/8-16 NC x 1 1/8 (gear cover mounting).....	1
10565	FELT - rear brg, oil guard.....	1
221-11	PLUG - pipe, ext, sq. hd., 1/8 NF (oil pressure gauge hole in c/case).....(41820)	1

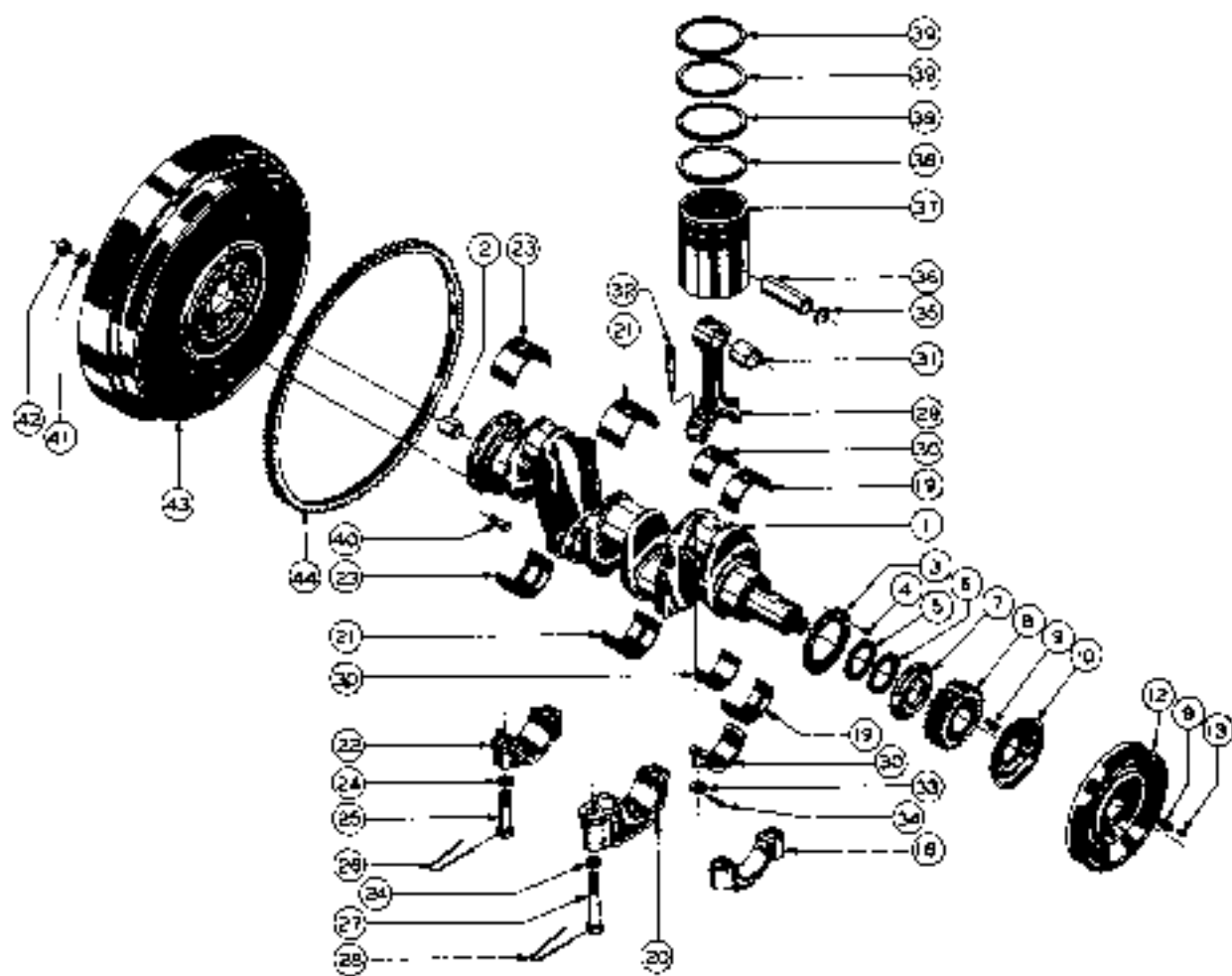


External View Engine Parts Group

GASOLINE ENGINE INSTALLATION
CRANKCASE, CYLINDER HEAD, GEAR COVER, OIL PAN

25

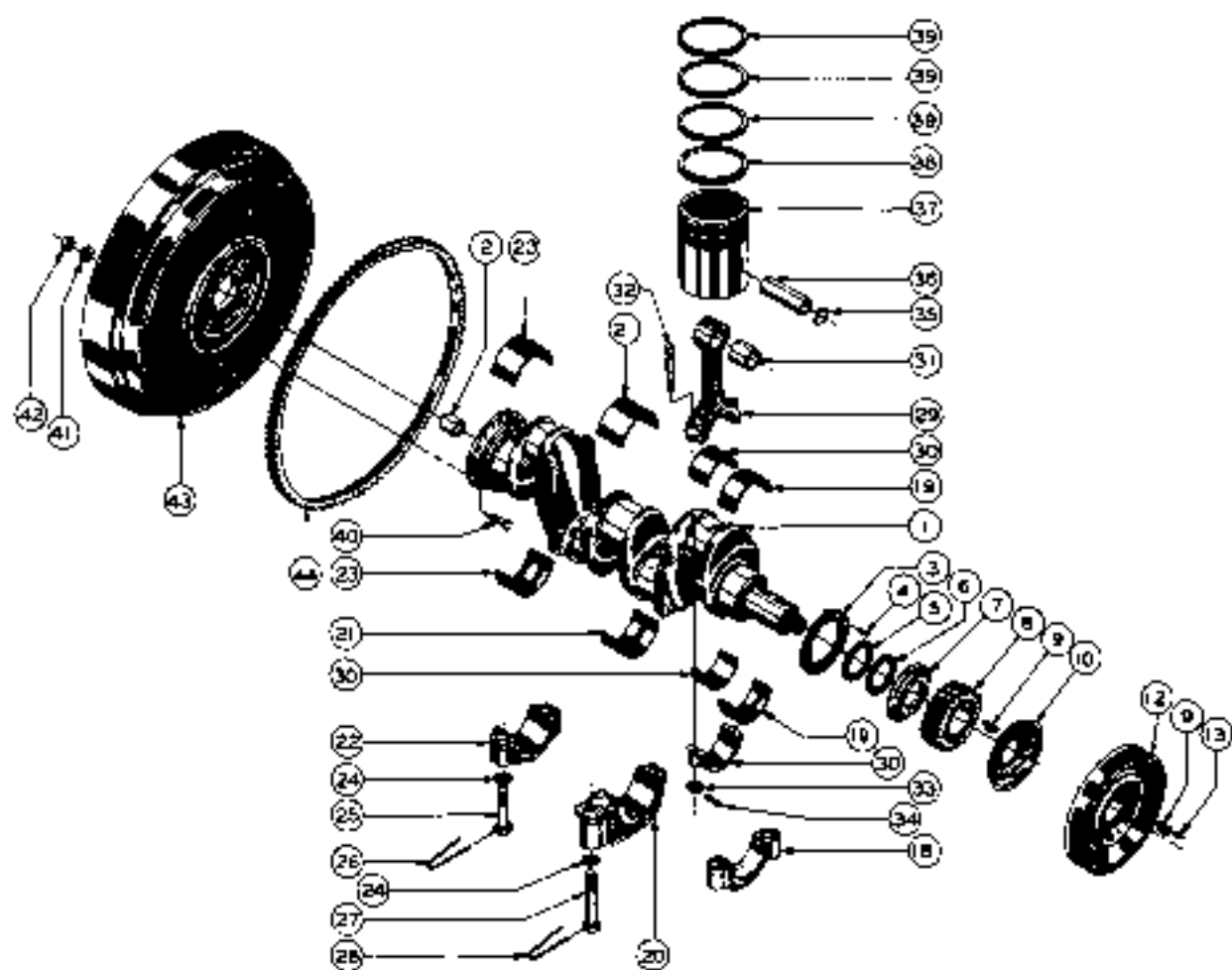
<u>REF.</u>	<u>PART NO.</u>	<u>DESCRIPTION</u>	<u>REQ'D.</u>
	VT1395	PLUG - pipe, special 1/4 NP (c/case oil header)...(10085)..	2
	VT22152	PLUG - hubbard, 1 1/2 dia. (camshaft bushing rear)(10622)..	1
	10617	PLUG - hubbard, 1 1/8 dia. (cyl. core hole in c/case rear),	1
	10618	PLUG - hubbard, 1 3/8 dia. (cyl. core hole in c/case side),	2
	221-12	PLUG - pipe, ext. sq. hd., 1/4 NP (cyl. water jacket drain)	1



GASOLINE ENGINE INSTALLATION

CRANKCASE, CYLINDER HEAD, GEAR COVER, OIL PAN

REF.	PART NO.	DESCRIPTION	REQ'D.
1	10161	CRANKSHAFT ASS'Y.....	1
	NSS	CRANKSHAFT.....	1
2	VT3370	BUSHING - c/shaft pilot..... (10163) ..	1
3	VT3376	WASHER - c/shaft thrust..... (10165) ..	2
4	VT3364	PIN - dowel, 5/32 dia. x 1/2..... (10087) ..	3
5	VT3367	SHIM - c/shaft thrust..... (10166) ..	8
6	VT3368	SHIM - c/shaft thrust..... (10167) ..	8
7	10171	PLATE - c/shaft thrust.....	1
8	10282	GEAR - c/shaft timing.....	1
9	26-66	KEY - #15 woodruff..... (48764) ..	2
10	10168	THROWER - c/shaft oil.....	1
11		RESERVED.....	
12	31515	PULLEY - c/shaft.....	1
13	10542	PLUG - c/shaft pulley keyway.....	1
14 thru 17		RESERVED.....	
18	10091	CAP - c/shaft front bearing.....	1
19	10181	BEARING ASS'Y. - front main (upper & lower) (see page # 109 for kits).....	1
20	10092	CAP - c/shaft center brg.....	1
21	10182	BEARING ASS'Y. - center main (upper & lower) (see page # 109 for kits).....	1
22	10093	CAP - c/shaft rear bearing.....	1
23	10193	BEARING ASS'Y. - rear main (upper & lower) (see page # 108 for kits).....	1
24	VT3359	WASHER - plain..... (10090) ..	6
25	10071	SCREW - 1/2-13 NC x 2 5/8.....	4
26	10376	WIRE - lock, #19 dia. x 10.....	2
27	10070	SCREW - 1/2-13 NC x 3 1/4.....	2
28	10377	WIRE - lock #19 dia. x 12.....	1
29	10195	ROD ASS'Y. - connecting (cyl. 1 & 3).....	2
	10200	ROD ASS'Y. - connecting (cyl. 2 & 4).....	2
	NSS	ROD & CAP - connecting.....	2
30	10211	BEARING - conn rod (cyl. 1 & 3) (see page #108 for kits) ..	2
	10212	BEARING - conn rod (cyl. 2 & 4) (see page #108 for kits) ..	2
31	10786	BUSHING - piston pin (see page #108 for kits).....	2
32	VT3374	BOLT - conn rod..... (10205) ..	2
33	48312	NUT - slotted hex (3/8-24 NF).....	2
34	132-26	PIN - cotter, 3/32 dia. x 3/4..... (48683) ..	8
	R10856	PISTON ASS'Y. - (with rings) (optional to 34019).....	4
	34019-020	PISTON ASS'Y. - (.020 oversize) (optional to 34019).....	4
	34019	PISTON ASS'Y.....	4
35	10252	RING - piston pin retaining.....	2
36	34015	PIN - piston.....	1
37	NSS	PISTON.....	1
	R2074-020	RING KIT - piston (rebore) (.020 oversize) (optional to R2075) ..	1
	5949-030	RING KIT - piston (2 in 1) (.030 oversize) (optional to R2075) ..	1
	R2074-040	RING KIT - piston (rebore) (.040 oversize) (optional to R2075) ..	1
	5949	RING KIT - piston (2 in 1) (std. brg.) (optional to R2075) ..	1
	R2075-030	RING KIT - piston (std. brg.) (.030 oversize) (optional to R2075) ..	1
	R2075-020	RING KIT - piston (std. brg.) (.020 oversize) (optional to R2075) ..	1
	R2075	RING KIT - piston (std. brg.) (standard).....	1
38	NSS	RING - piston.....	4
39	NSS	RING - piston.....	4
	NSS	RING - piston.....	8
40	10995	BOLT - flywheel housing.....	6
41	48526	WASHER - lock, shakeproof.....	6
42	48162	NUT - light sq hex (3/8-24 NF).....	6
	31119	FLYWHEEL ASS'Y.....	1
43	NSS	FLYWHEEL.....	1



29

GASOLINE ENGINE INSTALLATION
CRANKSHAFT, FLYWHEEL, CONNECTING RODS, PISTONS, RINGS

<u>REF.</u>	<u>PART NO.</u>	<u>DESCRIPTION</u>	<u>REQ'D.</u>
44	11561	CBAR - ring.....	1

PARTS NOT SHOWN

10373	WASHER - c/shaft pulley mounting.....	1
10374	NUT - c/shaft pulley mounting.....	1
10623	PLUG - cork, flywheel balance hole.....	U&R

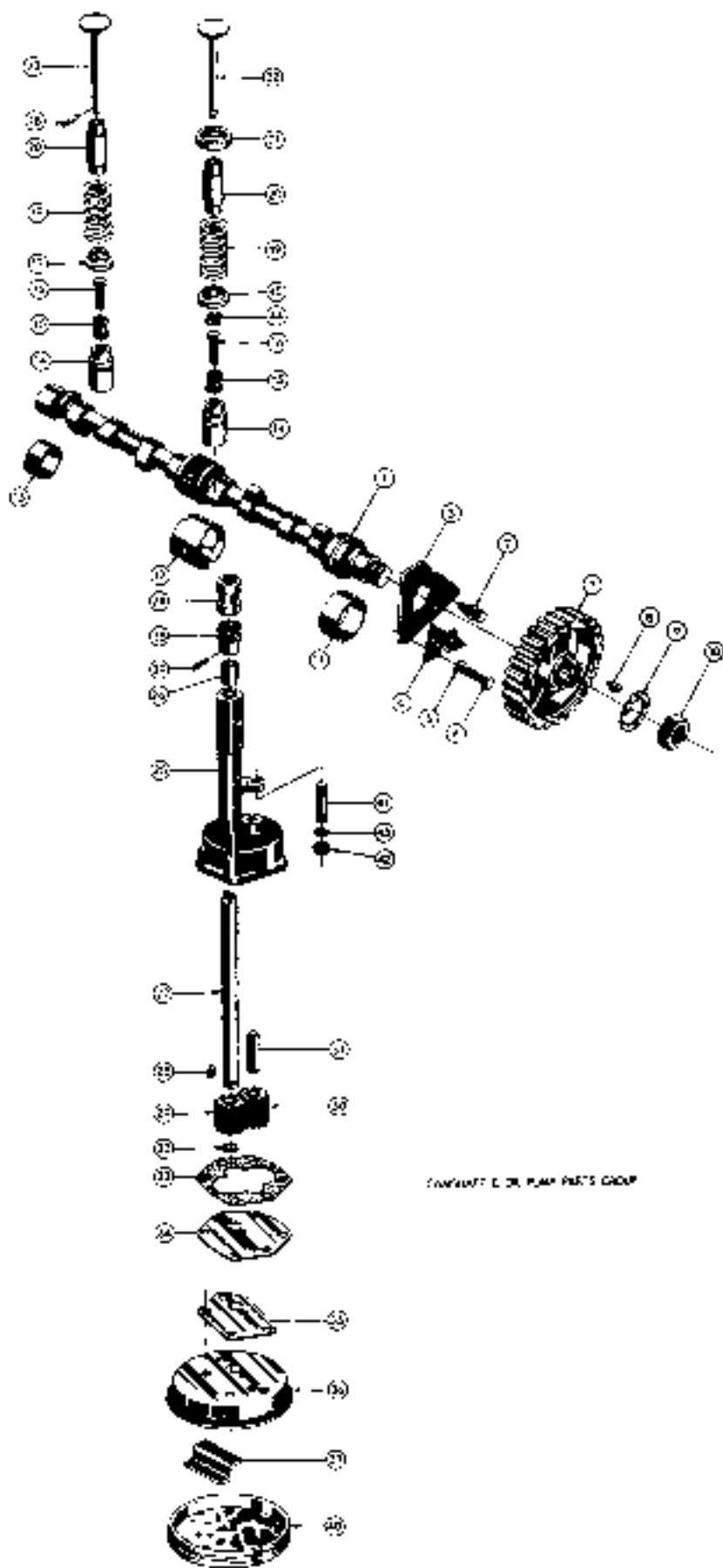
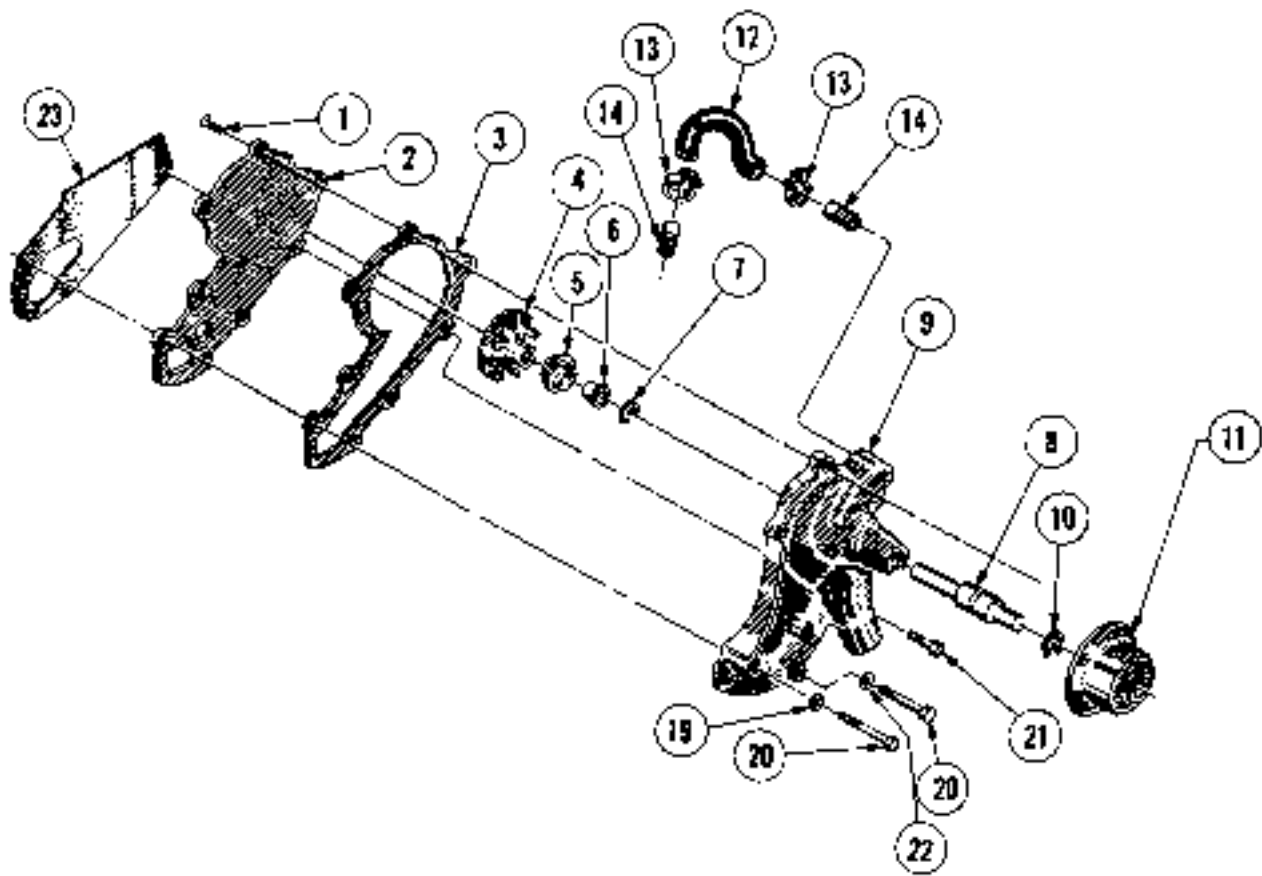


FIGURE 1. OIL PUMP PARTS GROUP

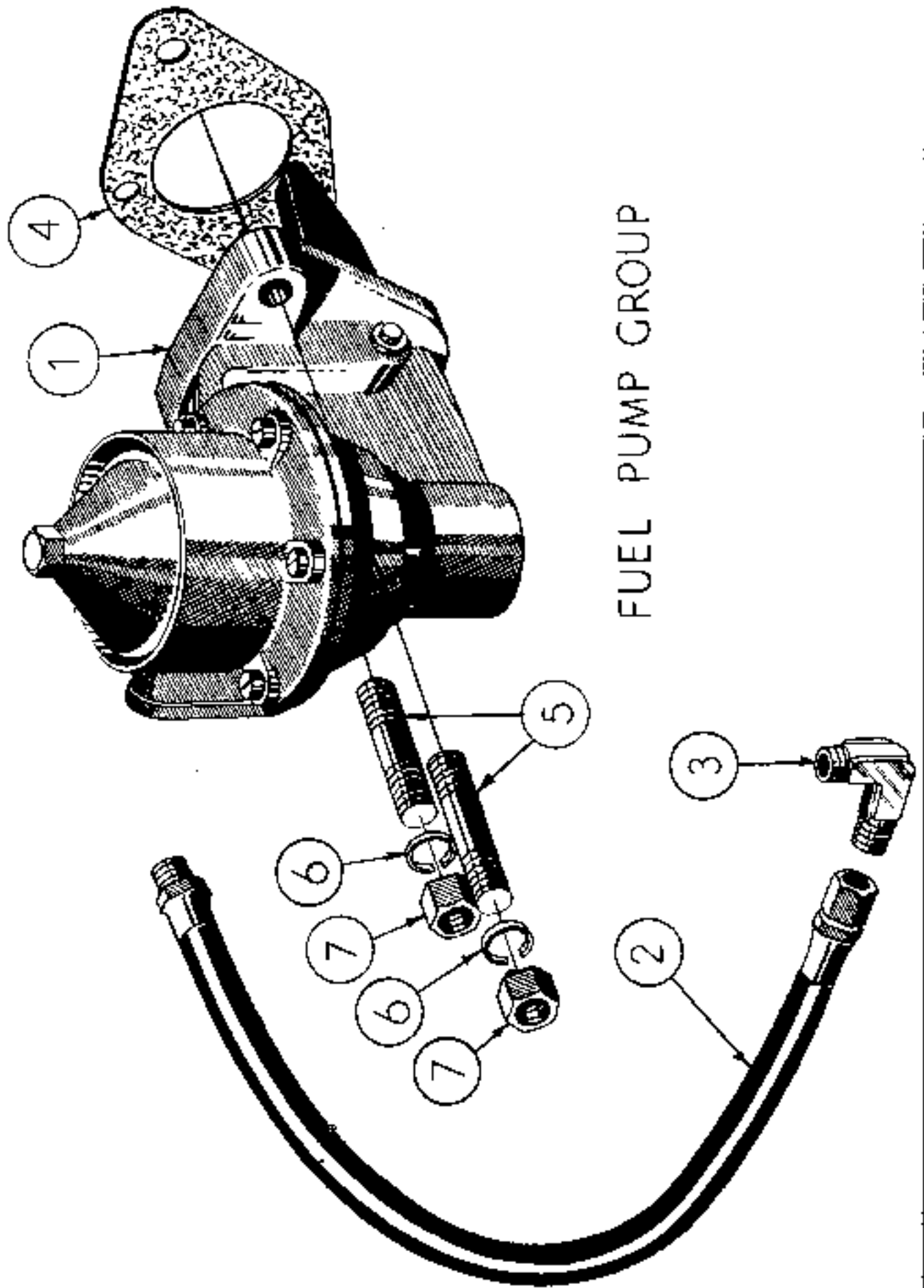
GASOLINE ENGINE INSTALLATION CAMSHAFT, OIL PUMP, VALVES, SPRINGS, GUIDES

REF.	PART NO.	DESCRIPTION	REQ'D.
1	10021	CAMSHAFT.....	1
2	10264	SCREW & LOCKWASHER ASS'Y. - 1/8-16 NC x 7/8.....	2
3	10262	PLATE - camshaft thrust.....	1
4	10283	PLATE - timing gear oiler.....	1
5	92-7	WASHER - med. sec. lock..... (48447) ..	1
6	13-72C	WIKS - 7/16-14 NC..... (45092) ..	1
7	10281	GEAR - camshaft timing.....	1
8	126-12	KEY - #6 woodruff..... (48756) ..	1
9	10285	LOCK - camshaft nut.....	1
10	10284	NUT - hex (3/4-16 NF).....	1
	R2073	KIT - camshaft bushing.....	1
11	N55	BUSHING - camshaft front.....	1
12	N55	BUSHING - camshaft center.....	1
13	N55	BUSHING - camshaft rear.....	1
	5990	KIT - valve tappet.....	1
	10341	TAPPET ASS'Y. - valve.....	8
14	N55	TAPPET - valve.....	1
15	10345	NUT - lock.....	1
16	10344	SCREW - adjusting.....	1
	5988	KIT - seat & lock.....	1
17	N55	RETAINER - valve spring.....	4
18	N55	LOCK - valve spring retainer.....	4
	5986	KIT - valve spring.....	4
19	N55	SPRING - valve.....	2
	5992	KIT - valve guide.....	1
20	N55	GUIDE - valve.....	8
21	VT-3387	INSERT - exhaust valve.....	4
22	34595	VALVE - exhaust (roto).....	4
	5984	KIT - intake valve.....	1
23	N55	VALVE - intake.....	4
24	10065	BUSHING - oil pump drive shaft.....	1
	R10855	PUMP ASS'Y. - oil (complete).....	1
	10382	BODY ASS'Y. - oil pump.....	1
25	N55	BODY - oil pump.....	1
26	10384	BUSHING.....	1
27	10285	SHAFT - oil pump drive.....	1
28	126-9	KEY - #3 Woodruff..... (48753) ..	1
29	10290	GEAR - oil pump driver.....	1
30	10291	GEAR - idler.....	1
31	10292	STUD - idler.....	1
32	10386	RING - snap.....	1
33	10395	GASKET - cover (see page #108 for kits).....	1
34	10394	COVER ASS'Y. - oil pump.....	1
35	10397	GASKET - cover to strainer frame [see page #108 for kits].....	1
36	10396	FRAME - oil pump strainer.....	1
37	10398	SPACER - strainer screen.....	1
38	10443	GEAR - oil pump drive.....	1
39	11577	PIN - 3/16 dia. x 7/8.....	1
40	10399	SCREEN ASS'Y. - oil strainer.....	1
	11067	SCREW & LOCKWASHER ASS'Y. - (not shown).....	6
41	10283	STUD - 3/8-16 NC x 1 5/8.....	1
42	3043E	NUT - hex (3/8-16 NC).....	1
43	92-6	WASHER - med. sec. lock..... (48446) ..	1
44	34597	LOCK - roto valve.....	8
45	34596	CAP ASS'Y. - roto valve.....	4
PARTS NOT SHOWN			
	11578	WASHER - plain (between brg. cap & oil pump).....	1



**GASOLINE ENGINE INSTALLATION
WATER PUMP PARTS**

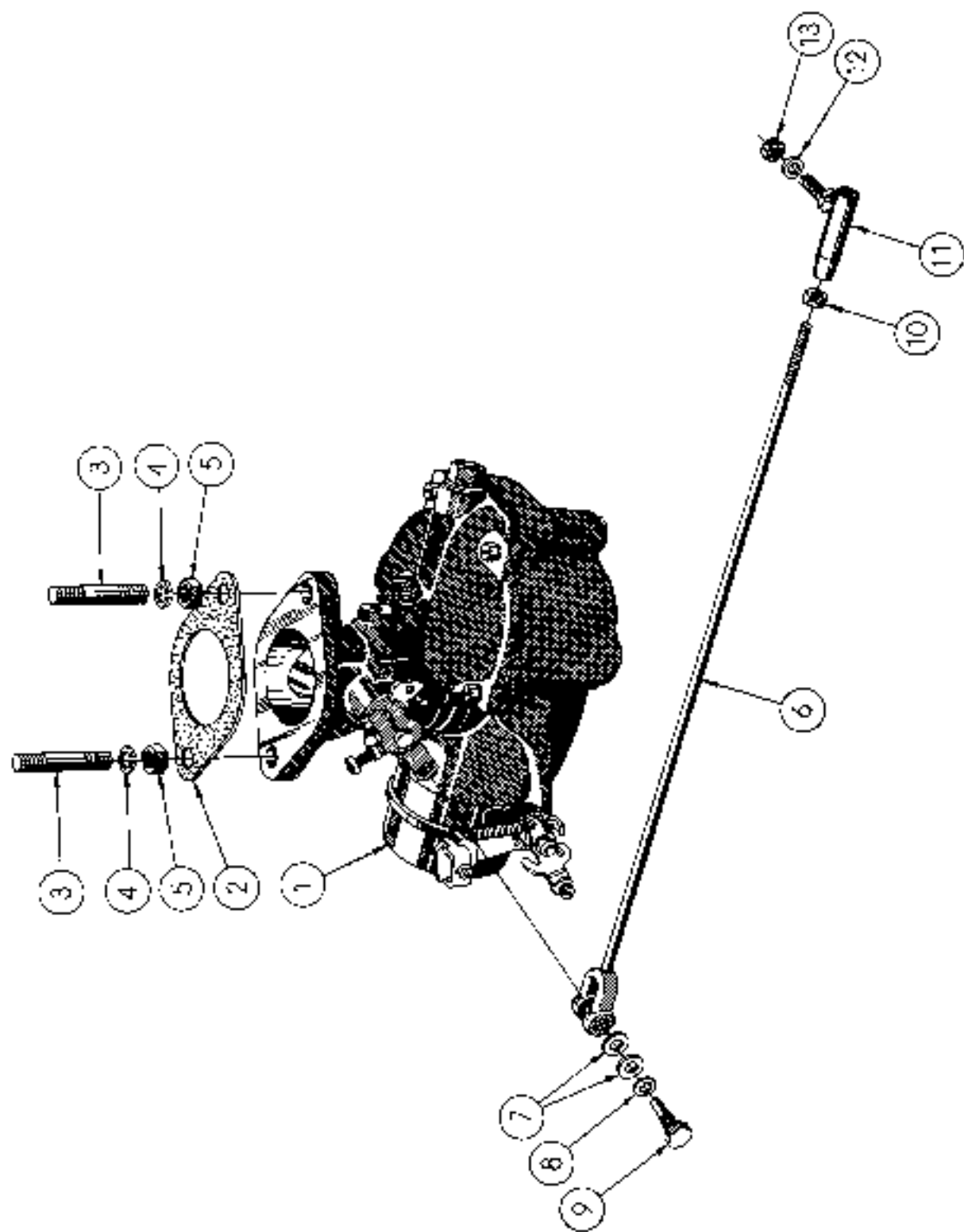
<u>REF.</u>	<u>PART NO.</u>	<u>DESCRIPTION</u>	<u>REQ'D.</u>
	31175	PUMP ASS'Y. - water (complete).....	1
1	10506	SCREW - cover to body.....	4
2	32682	COVER - water pump.....	1
3	32683	GASKET - water pump cover (see page #108 for kits).....	1
4	10502	IMPELLER - water pump.....	1
5	10503	SEAL - water pump (see page #108 for kits).....	1
6	10505	SHEDDER - water.....	1
7	10509	RING - brg. seat.....	7
8	10501	SHAFT - water pump.....	1
9	32681	BODY - water pump.....	1
10	10504	RETAINER - water pump.....	1
11	10592	HUB - fan.....	1
12	11072	HOSE - w/p to water outlet elbow.....	1
13	10615	CLAMP - hose.....	2
14	10628	NIPPLE - pipe, 3/8 NP.....	2
15		RESERVED.....	
16		RESERVED.....	
17		RESERVED.....	
18		RESERVED.....	
19	92-6	WASHER - med. sec. lock..... (48446) ..	3
20	13-636	NUTS - 3/8-16 NC x 2 1/4..... (45061) ..	1
21	11065	SCREW & LOCKWASHER ASS'Y. - 3/8-16 NC x 1 1/4.....	1
22	10298	WASHER - copper.....	1
23	10523	GASKET - w/p to c/case (see page #108 for kits).....	1
PARTS NOT SHOWN			
	11066	SCREW & LOCKWASHER ASS'Y. - 3/8-16 NC x 2 1/4.....	2
	6050	KIT - w/p repair.....	1



FUEL PUMP GROUP

**GASOLINE ENGINE INSTALLATION
FUEL PUMP PARTS**

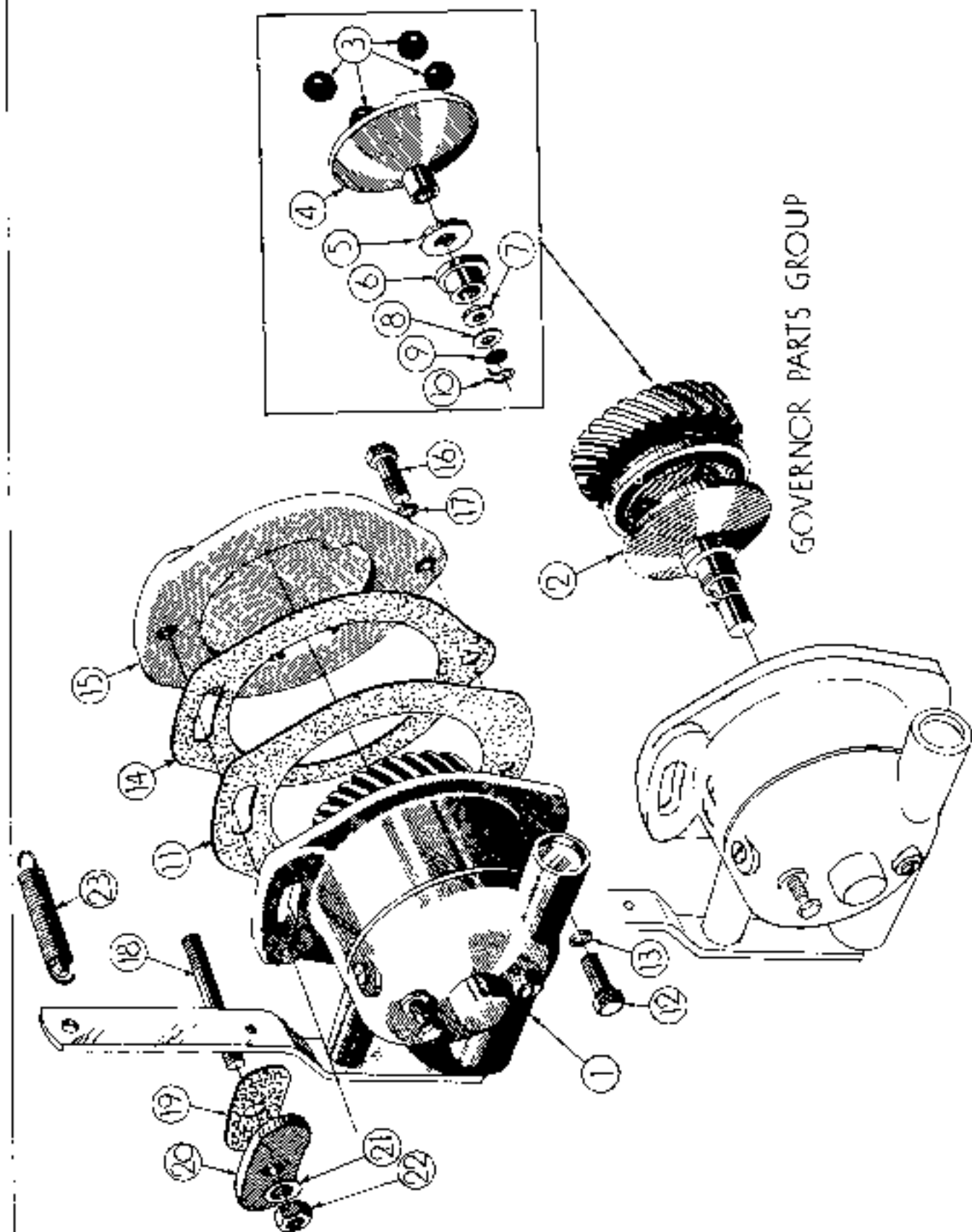
<u>REF.</u>	<u>PART NO.</u>	<u>DESCRIPTION</u>	<u>REQ'D.</u>
1	10023	PUMP - fuel.....	1
2	10026	HOSE ASS'Y, - fuel pump to carburetor.....	1
3	50464	ELBOW - 90° street, 1/8 NP.....	1
4	10123	GASKET - fuel pump (see page #108 for kits).....	1
5	31173	STUD - 5/16-18 NC x 1 1/2 (10023 mt'g.).....	2
6	48465	WASHER - heavy sec, lock.....	2
7	47861	NUT - light SF hex (5/16-18 NC).....	2



CARBURETOR PARTS GROUP

**GASOLINE ENGINE INSTALLATION
CARBURETOR PARTS GROUP**

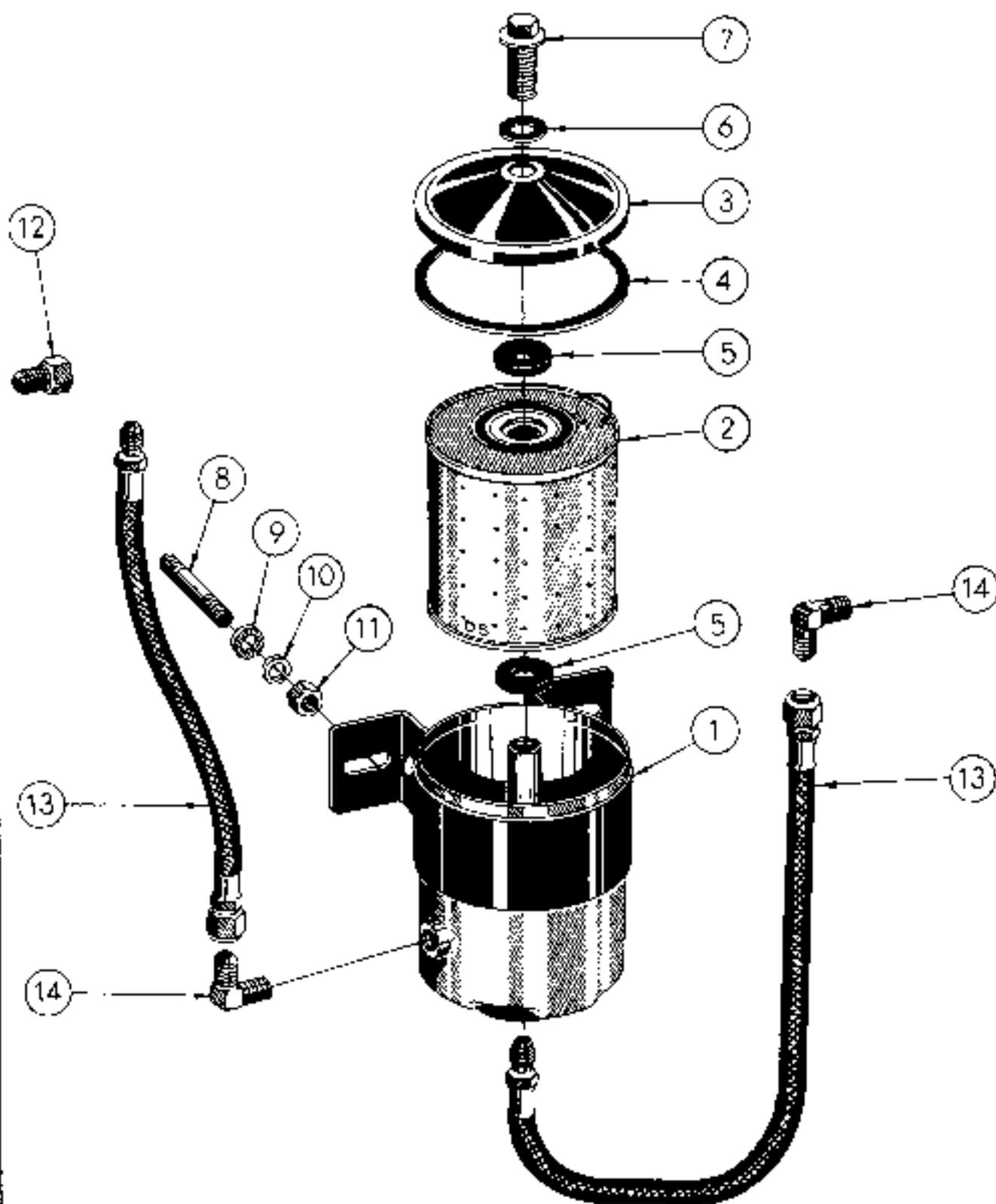
<u>REF.</u>	<u>PART NO.</u>	<u>DESCRIPTION</u>	<u>REQ'D.</u>
1	11174	CARBURETOR ASS'Y.....	1
2	30160	GASKET - carburetor to manifold [see page #108 for kits].....	1
3	10227	STUD - 3/8-16 NC x 1 7/16 (11174 mt'g.).....	2
4	92-6	WASHER - med. sec. lock..... (48446) ..	2
5	30438	NUT - hex (3/8-16 NC).....	2
6	10127	ROD ASS'Y. - governor to carburetor.....	1
7	10032	WASHER - plain.....	2
8	48525	WASHER - lock.....	1
9	10029	SCREW - yoke end.....	1
10	25-114	NUT - reg. SF hex (1/4-28 NF)..... (48100) ..	1
11	10031	JOINT - ball.....	1
12	92-4	WASHER - med. sec. lock..... (48444) ..	1
13	25-114	NUT - reg. SF hex (1/4-28 NF)..... (48100) ..	1



GASOLINE ENGINE INSTALLATION

GOVERNOR PARTS

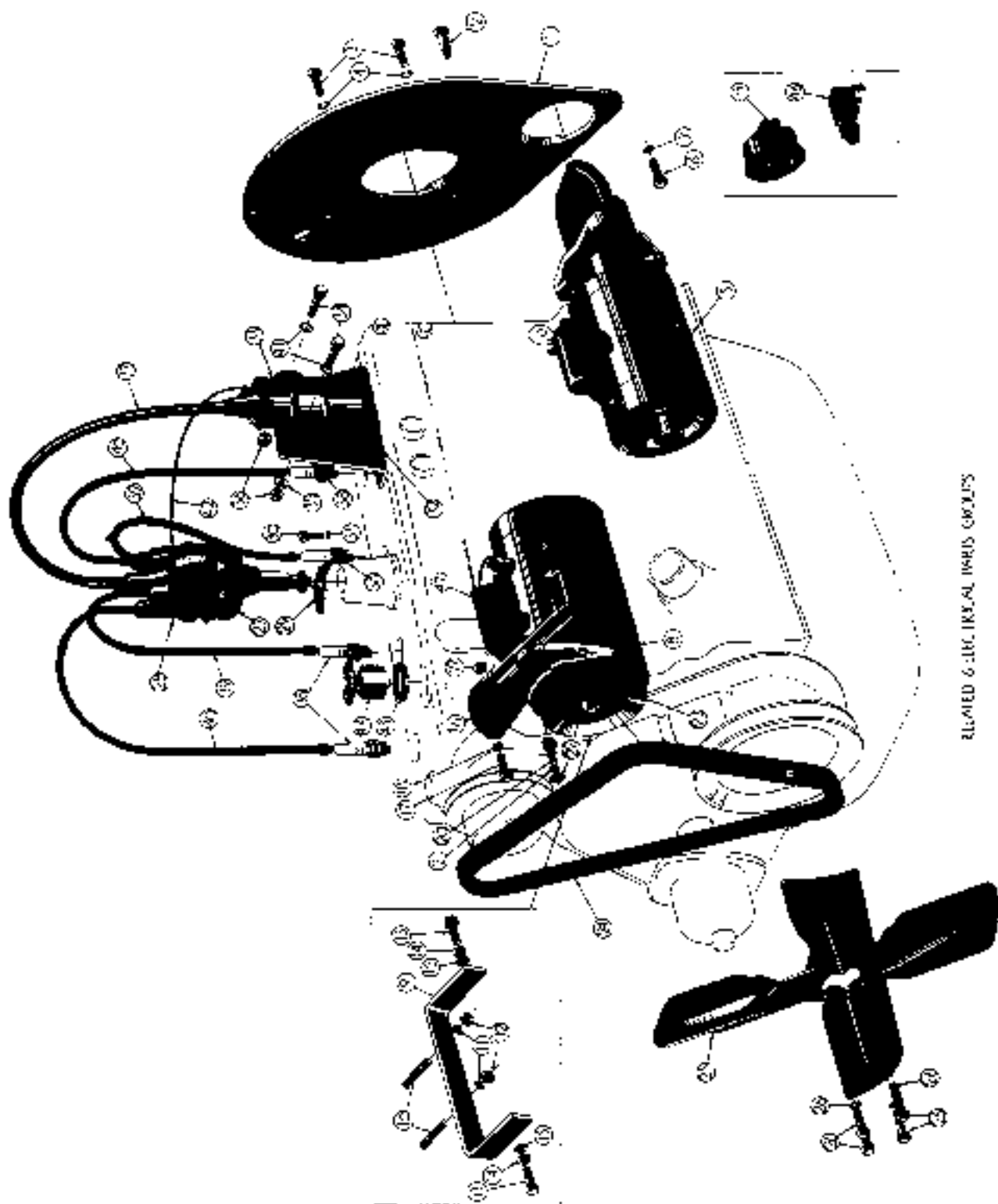
<u>QTY.</u>	<u>PART NO.</u>	<u>DESCRIPTION</u>	<u>REQ'D.</u>
1	10456	GOVERNOR ASS'Y.....	1
2	1045E	WORKS ASS'Y, - governor.....	1
2	VT3268	BALL - governor, 3/4 dia..... (10474) ..	4
4	10465	RACE - upper.....	1
5	10466	BEARINGS - thrust.....	1
6	10467	BASE - governor lever fork.....	1
7	10468	WASHER - thrust, lever fork base.....	1
8	10469	WASHER - thrust, lever fork base.....	1
9	10472	PLATE - thrust.....	1
10	1047C	CLIP - governor works retaining.....	1
11	1048C	GASKET - governor (see page #108 for kits).....	1
12	10295	SCREW - 3/8-16 NC x 1 1/8 (10456 mt'g.).....	1
13	92-6	WASHER - med, sec, lock..... (48446) ..	1
14	VT3694	GASKET - mag, hole cover (see page #109 for kits) ... (10324) ..	1
15	10321	COVER - mag, hole.....	1
16	10323	WCS - 3/8-16 NC x 1 3/8 (10321 mt'g.).....	1
17	92-6	WASHER - med, sec, lock..... (48446) ..	1
18	10322	STUD - 3/8-16 NC x 3 7/8 (10456 mt'g.).....	1
19	10482	GASKET - governor flange (see page #108 for kits).....	1
20	10481	PLATE - governor gasket.....	1
21	10498	WASHER - copper.....	1
22	30438	NUT - hex (3/8-16 NC).....	1
23	10022	SPRING ASS'Y, - governor.....	1



OIL FILTER PARTS GROUP

**GASOLINE ENGINE INSTALLATION
OIL FILTER PARTS**

<u>REF.</u>	<u>PART NO.</u>	<u>DESCRIPTION</u>	<u>REQ'D.</u>
	31176	OIL FILTER ASS'Y.....	1
1		RESERVED.....	
2	10017	CARTRIDGE - oil filter.....	1
3	10047	COVER - oil filter.....	1
4	10048	GASKET - oil filter cover.....	1
5	10049	GASKET - oil filter cartridge.....	2
6	10054	GASKET - oil filter cover screw.....	1
7	11321	SCREW - oil filter cover.....	1
8	10619	STUD - 5/16-18 NC x 1 (31176 mt'g.).....	2
9	10620	WASHER - plain, oil filter mt'g. stud.....	2
10	92-5	WASHER - mod. sec. lock..... (4B445)...	2
11	47861	NUT - hex, oil filter mt'g. stud.....	2
12	41640	BUSHING - 1/4 to 1/0.....	1
13	10621	EDGE - flexible oil.....	2
14	50464	ELBOW - 90°, 1/8 NP to 1/4 JIC.....	2



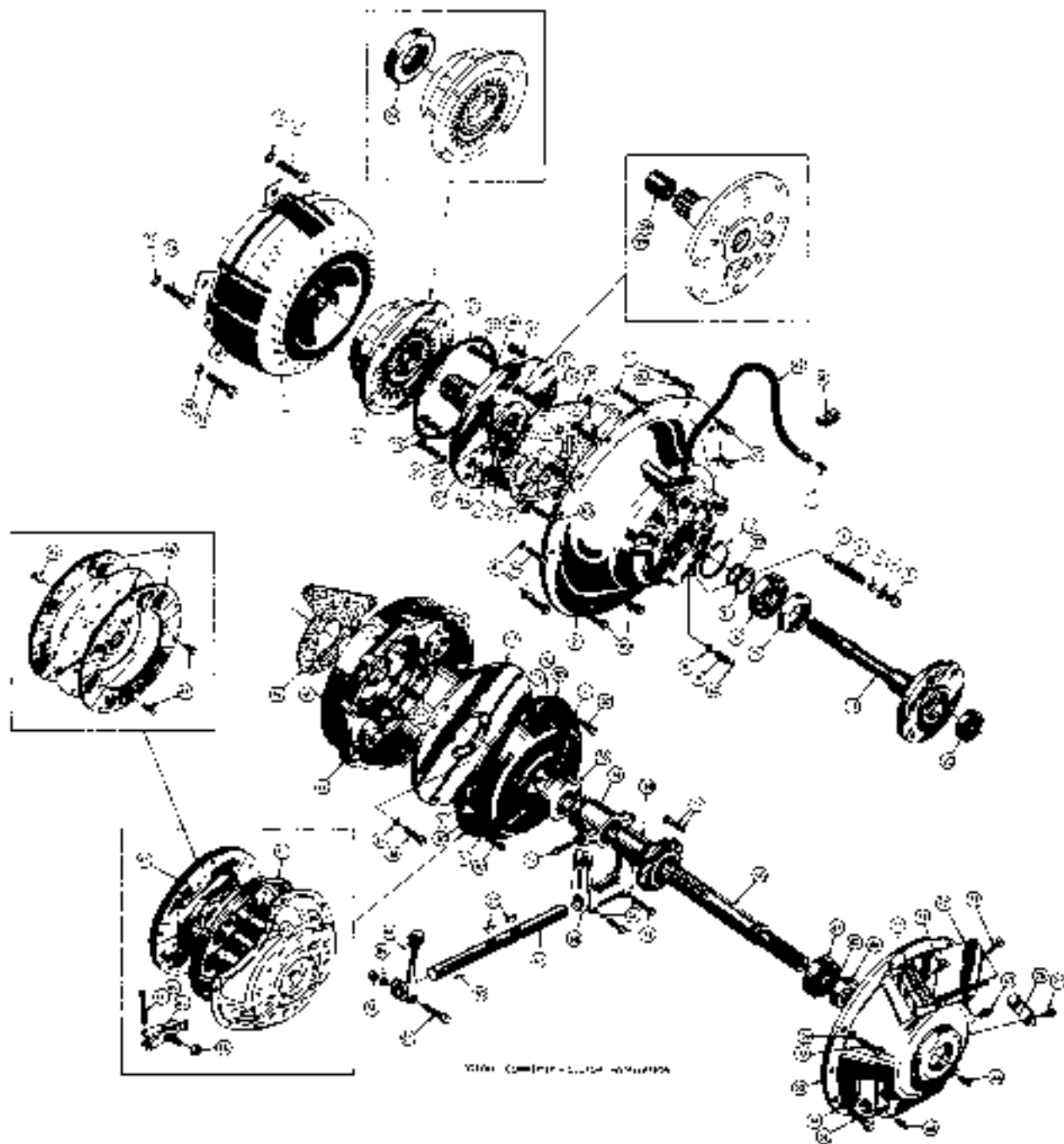
RUMED 6-1/2HP. IRYAL INRIS GROUPS

GASOLINE ENGINE INSTALLATION RELATED & ELECTRICAL PARTS

REF.	PART NO.	DESCRIPTION	REQ'D.
1 thru 4		RESERVED.....	
5	11173	STARTER ASS'Y.....	1
		SWITCH - solenoid starter.....	1
6	31174	STUD - 3/8-16 NC x 2 1/2 (11173 mt'g.).....	3
7	92-6	WASHER - med. sec. lock..... (48446) ..	3
	30438	NUT - hex (3/8-16 NC).....	3
8	30455	GENERATOR ASS'Y. - (inc. ref. # 47).....	1
9	10027	BRACKET - generator.....	1
10	VT4508	STUD - 3/8-16 NC x 1 1/4 (10027 mt'g.)..... (10075) ..	2
11	92-6	WASHER - med. sec. lock..... (48446) ..	2
12	30438	NUT - hex (3/8-16 NC).....	2
13	10033	SCREW - special. 5/16-24 NF x 1 1/8 (30455 mt'g.).....	2
14	48161	NUT - light SF hex (5/16-24 NF).....	2
15	30362	NUT - pal. 5/16.....	2
16	30461	STRAP - generator adjusting.....	1
17	13-616	EMCS - 3/8-16 NC x 1 (30461 mt'g.)..... (45056) ..	1
18	92-6	WASHER - med. sec. lock..... (48446) ..	1
19	30438	NUT - hex (3/8-16 NC).....	1
20	13-516	EMCS - 5/16-18 NC x 1 (30455 mt'g.)..... (45031) ..	1
21	48465	WASHER - heavy sec. lock.....	1
22		RESERVED.....	
23	30454	PULLEY - generator.....	1
24	11585	BELT - fan drive.....	1
25	VT2180	FAN.....	1
26	10314	SCREW & LOCKWASHER ASS'Y.....	4
27	10012	DISTRIBUTOR ASS'Y.....	1
28		RESERVED.....	
29	10580	ARM ASS'Y. - distributor advance.....	1
30	13-410	WCS - 1/4-20 NC x 5/8 (10580 mt'g.)..... (45003) ..	1
31	92-4	WASHER - med. sec. lock..... (48444) ..	1
32	10034	SUPPORT ASS'Y. - coil.....	1
33	10007	COIL ASS'Y.....	1
34	13-48	EMCS - 1/4-20 NC x 1/2 (10007 mt'g.)..... (45002) ..	2
35	95-4	WASHER - plain..... (48404) ..	2
36	47860	NUT - light SF hex (1/4-20 NC).....	2
37	10100	CABLE - coil to distributor.....	1
38	10008	SPARK PLUG.....	4
	10099	SPARK PLUG - (hot spark) (optional to 10008).....	4
39	10041	CABLE - dist. to spark plug (short).....	2
40	10040	CABLE - dist. to spark plug (long).....	2
41	92-4	WASHER - med. sec. lock..... (48444) ..	2
42	10019	WIRE ASS'Y. - dist. to coil.....	1
43	10562	RING - thermostat adapter.....	1
44	10561	THERMOSTAT ASS'Y.....	1
45	REF.	AMMETER ASS'Y. - (see page # 67).....	1
46	REF.	SWITCH - push button starter (see page #67).....	1
47	10019	REGULATOR ASS'Y. - voltage.....	1

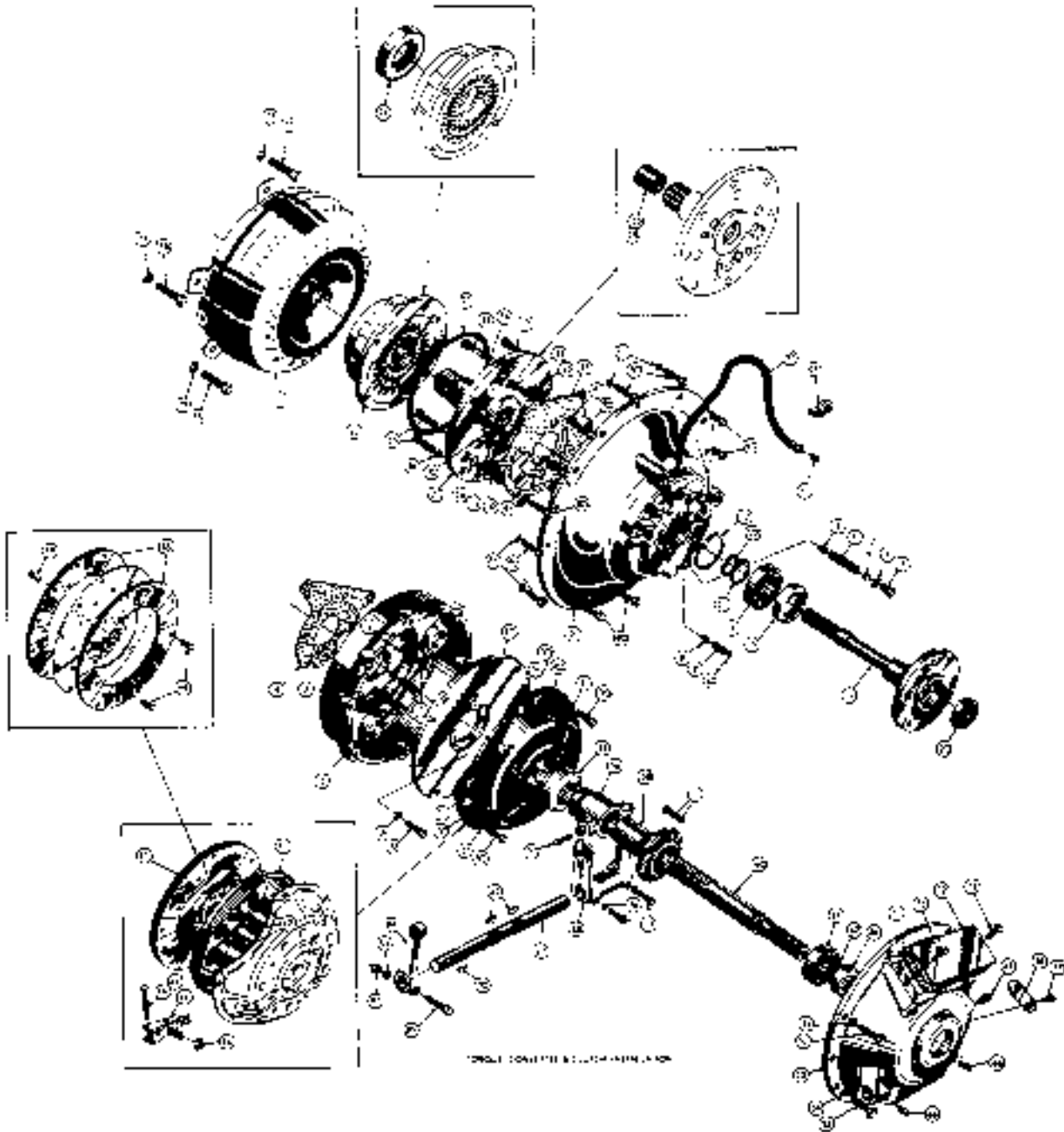
PARTS NOT SHOWN

30360	CLIP - gen. adj. strap.....	1
11482	SPACER - starter mounting.....	1
60766	SPACER - engine mt'g., front.....	1
92-10	WASHER - med. sec. lock (engine mt'g.)..... (48450) ..	1
13-1028	EMCS - 5/8-11 NC x 1 3/4 (engine mt'g.)..... (45159) ..	1
13-824	EMCS - 1/2-13 NC x 1 1/2 (engine mt'g.)..... (45108) ..	8
92-8	WASHER - med. sec. lock (engine mt'g.)..... (48448) ..	8



TORQUE CONVERTER & CLUTCH INSTALLATION

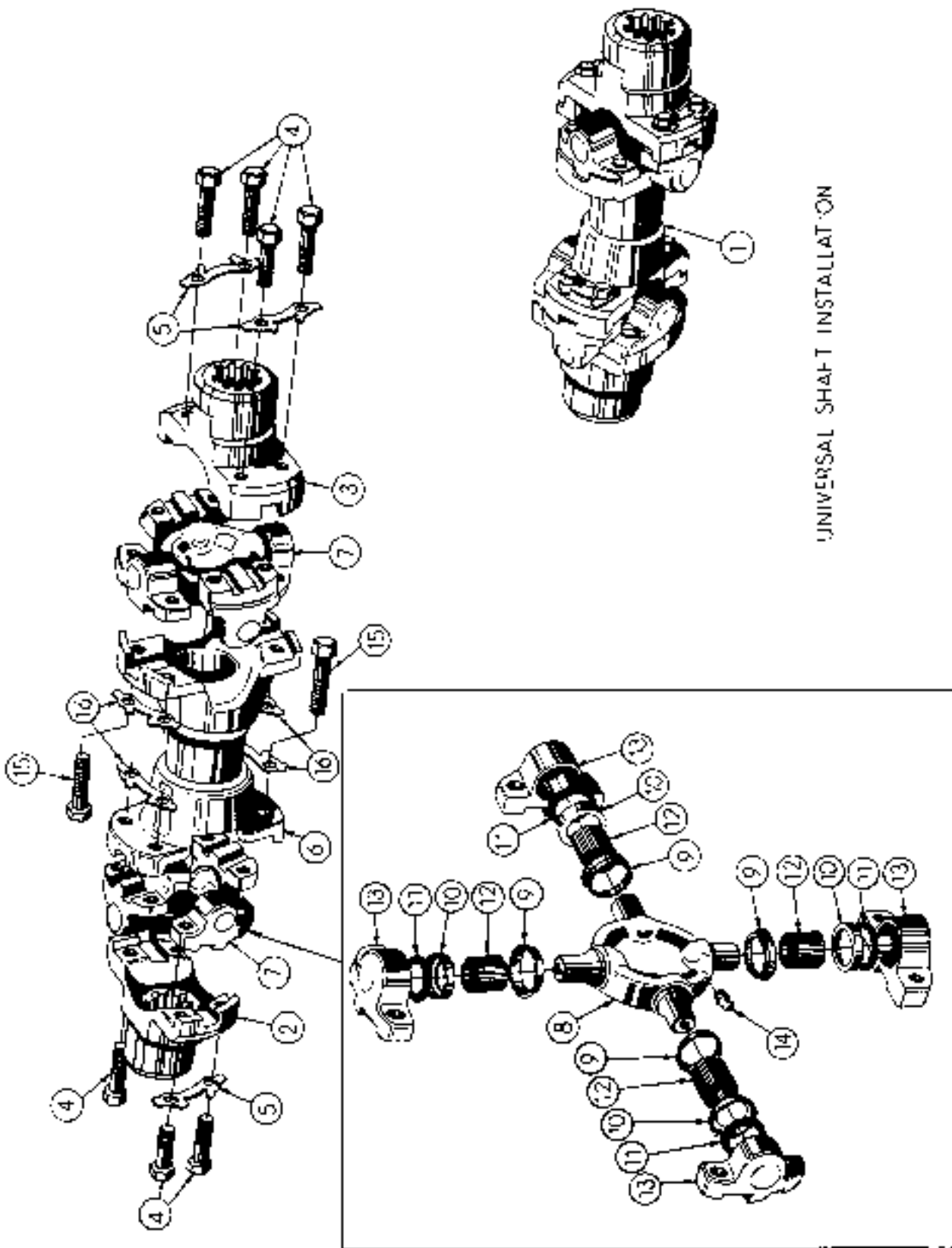
REF.	PART NO.	DESCRIPTION	REQ'D.
	30609	CONVERTER & CLUTCH ASS'Y. - (complete).....	1
1	32238	CONVERTER ASS'Y. - (biscuit).....	1
2	72742	HOUSING - converter.....	1
3	31222	VALVE - pressure relief.....	1
4	31221	SPRING - pressure relief valve.....	1
5	71752	RETAINER - pressure relief valve spring.....	1
6	31233	WASHER - relief valve plug.....	1
7	31234	PLUG - pressure relief valve.....	1
8	31235	BALL - cooler by-pass.....	1
9	31220	SPRING - cooler by-pass.....	1
10	31236	RETAINER - spring.....	1
11	71753	PLUG - pipe.....	1
12	31241	RING - snap.....	OAR
13	31181	HOUSING - intermediate.....	1
14	31238	BEARING ASS'Y.....	1
15	40652	SEAL - oil.....	1
16	31187	GASKET - intermediate housing.....	1
17	13-616	HRCS - 3/8-16 NC x 1 (31181 to 72742)..... (45056) ..	8
18	92-6	WASHER - med. sec. lock..... (48446) ..	8
19	31192	SHAFT - turbine output.....	1
20	31250	BEARING ASS'Y.....	1
21	31239	RING - snap.....	1
22	31218	RING - piston.....	1
	31195	PUMP & COLLECTOR RING ASS'Y.....	1
23	31243	PUMP ASS'Y.....	1
24	40619	SEAL - oil.....	1
25	31244	SEAL - "O" ring.....	1
26	31245	SEAL - "O" ring.....	1
27	31190	HUB STATOR REACTION & OIL PUMP COL.....	1
28	31216	BUSHING.....	1
29	33189	PLUG - pipe (not shown).....	1
30	47364	SHCS - 1/4-20 NC x 1 (31243 to 31190).....	1
31	92-4	WASHER - med. sec. lock..... (48444) ..	1
32	61-512	SHCS - 5/16-18 NC x 3/4 (31243 to 31190).....	4
33	92-5	WASHER - med. sec. lock..... (48445) ..	4
34	31188	GASKET - collector ring to converter hsg.....	1
35	47379	SHCS - 5/16-18 NC x 1 (31195 mt'g.).....	8
36	92-5	WASHER - med. sec. lock..... (48445) ..	8
37	31199	PLATE - backing, clutch.....	1
38	14-512	HRCS - 5/16-24 NF x 3/4 (31198 mt'g.)..... (45629) ..	6
39	92-5	WASHER - med. sec. lock..... (48445) ..	6
40	31224	CLUTCH ASS'Y.....	1
41	31003	PLATE - pressure.....	1
42	31004	SPRING - pressure.....	12
43	31006	LEVER ASS'Y.....	3
44	31005	PIN - lever.....	3
45	132-25	PIN - cotter. 3/32 dia. x 5/8..... [48692] ..	3
46	11008	NUT.....	3
47	32606	MEMBER ASS'Y. - clutch driven.....	1
48	31032	FACING - clutch.....	2
49	11016	RIVET - tublar.....	20
50	13-512	HRCS - 5/16-18 NC x 3/4 (31224 mt'g.)..... (45029) ..	6
51	92-5	WASHER - med. sec. lock..... (48445) ..	6
52	31225	HOUSING - clutch.....	1
53	13-616	HRCS - 3/8-16 NC x 1 (31225 mt'g.)..... (45056) ..	8
54	92-6	WASHER - med. sec. lock..... (48446) ..	8
55	31203	BEARING - clutch release.....	1
56	31185	SLEEVE - release.....	1
57	31201	FITTING - grease. ext. straight.....	1
58	31183	RETAINER - brg.....	1



TORQUE CONVERTER & CLUTCH INSTALLATION

47

<u>REF.</u>	<u>PART NO.</u>	<u>DESCRIPTION</u>	<u>REQ'D.</u>
59	31205	BOLT & LOCKWASHER ASS'Y. - 5/16-18 NC x 3/4.....	4
60	31196	SHAFT - turbine output.....	1
61	40018	BEARING ASS'Y.....	1
62	31204	RING - snap.....	2
63	40658	SEAL - oil.....	2
65	49202	FITTING - grease.....	1
66	49275	FITTING - grease.....	2
67	31202	SHAFT - cross, clutch.....	1
68	31184	YOKE - clutch.....	1
69	31209	KEY - #15 Woodruff.....	2
70	126-26	KEY - #16 Woodruff.....(48762) ..	1
71	31208	GASKET - top cover.....	1
72	31207	COVER - top.....	1
73	14-616	NHCS - 3/8-24 NF x 1 (31184 mt'g.).....(45656) ..	2
74	92-6	WASHER - med, sec, lock.....(48446) ..	2
75	34934	SCREW - top cover mt'g.....	2
76	31210	COVER - side.....	1
77	173-95	SCREW - button head, #10-24 NC x 3/8.....(46905) ..	1
78	13-516	NHCS - 5/16-18 NC x 1 (32238 mt'g.).....(45031) ..	6
79	92-5	WASHER - med, sec, lock.....(48445) ..	6
80	13-616	NHCS - 3/8-16 NC x 1 (72742 mt'g.).....(45056) ..	12
81	92-6	WASHER - med, sec, lock.....(48446) ..	12
82	33891	HOSE ASS'Y. - pressure check.....	-
83	49838	CLAMP - hose.....	-
84	31619	LEVER - clutch, outside.....	1
85	14-632	NHCS - 3/8-24 NF x 2 (31619 mt'g.).....(45660) ..	1
86	92-6	WASHER - med, sec, lock.....(48446) ..	1
87	25-116	NUT - reg, SF hex (3/8-24 NF).....(48102) ..	1
	221-106	NIPPLE - pipe, 1/8 NP x 1 1/2 (pressure check) (not shown) ...	1
	221-421	TEE - pipe, 1/8 NP (pressure check) (not shown).....	1
	221-1	PLUG - pipe, ext, sq, hd., 1/8 NP (pressure check) (not shown)	1

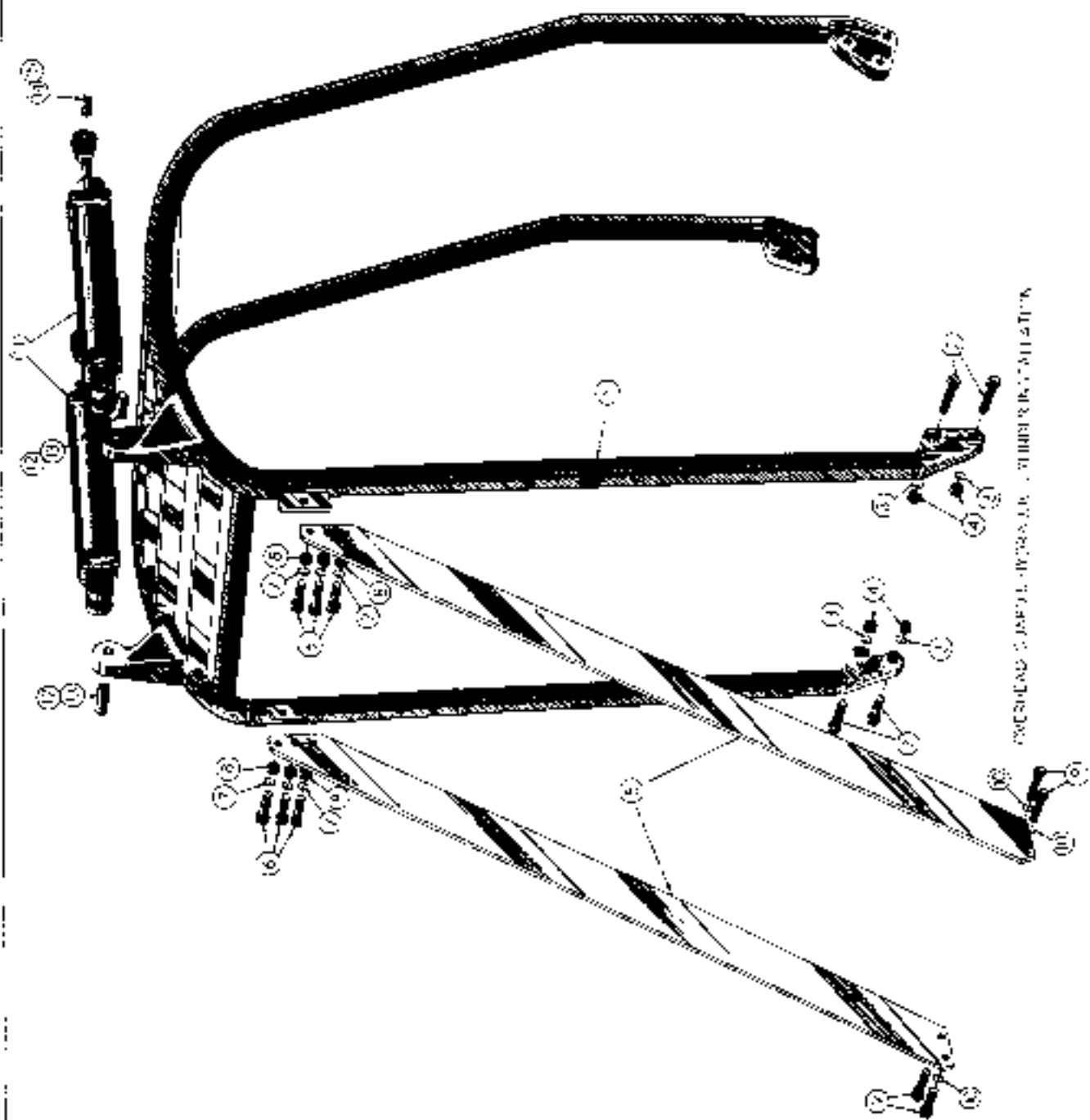


UNIVERSAL SHAFT INSTALLATION

UNIVERSAL SHAFT INSTALLATION

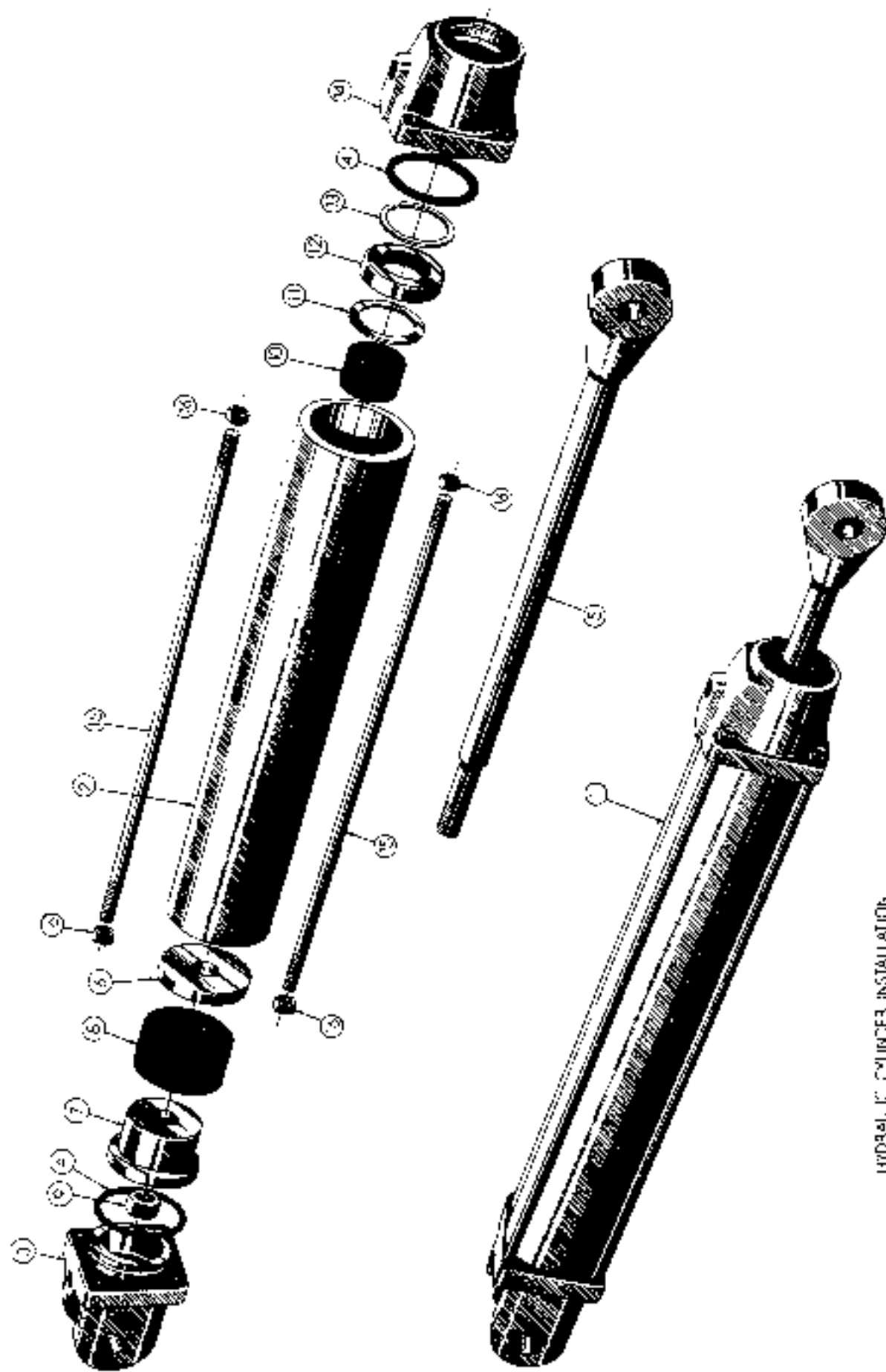
45

<u>REF.</u>	<u>PART NO.</u>	<u>DESCRIPTION</u>	<u>REQ'D.</u>
1	34632	SHAFT ASS'Y. - universal (complete).....	1
2	31728	YOKE - end fitting.....	1
3	31729	YOKE - end fitting.....	1
4	31725	SCREW - cap (31728 & 31729 mt'g.).....	8
5	31726	PLATE - lock.....	4
6	31727	TUBE ASS'Y. - universal.....	1
7	5996	BEARING & JOURNAL KIT.....	2
8	31717	SPIDER - universal.....	1
	19329	BEARING ASS'Y. - universal.....	4
9	NSS	SHIELD - dust.....	1
10	NSS	RETAINER - bearing.....	1
11	NSS	WASHER - cork.....	1
12	NSS	ROLLER - bearing.....	25
13	NSS	BEARING - universal.....	1
14	31724	FITTING - grease.....	1
15	31725	SCREW - cap (5996 mt'g.).....	8
16	31726	PLATE - lock.....	4
	132-80	PIN - cotter, 5/32 dia. x 2 1/2.....(48714)..	1



OVERHEAD GUARD & HYDRAULIC CYLINDER INSTALLATION 51

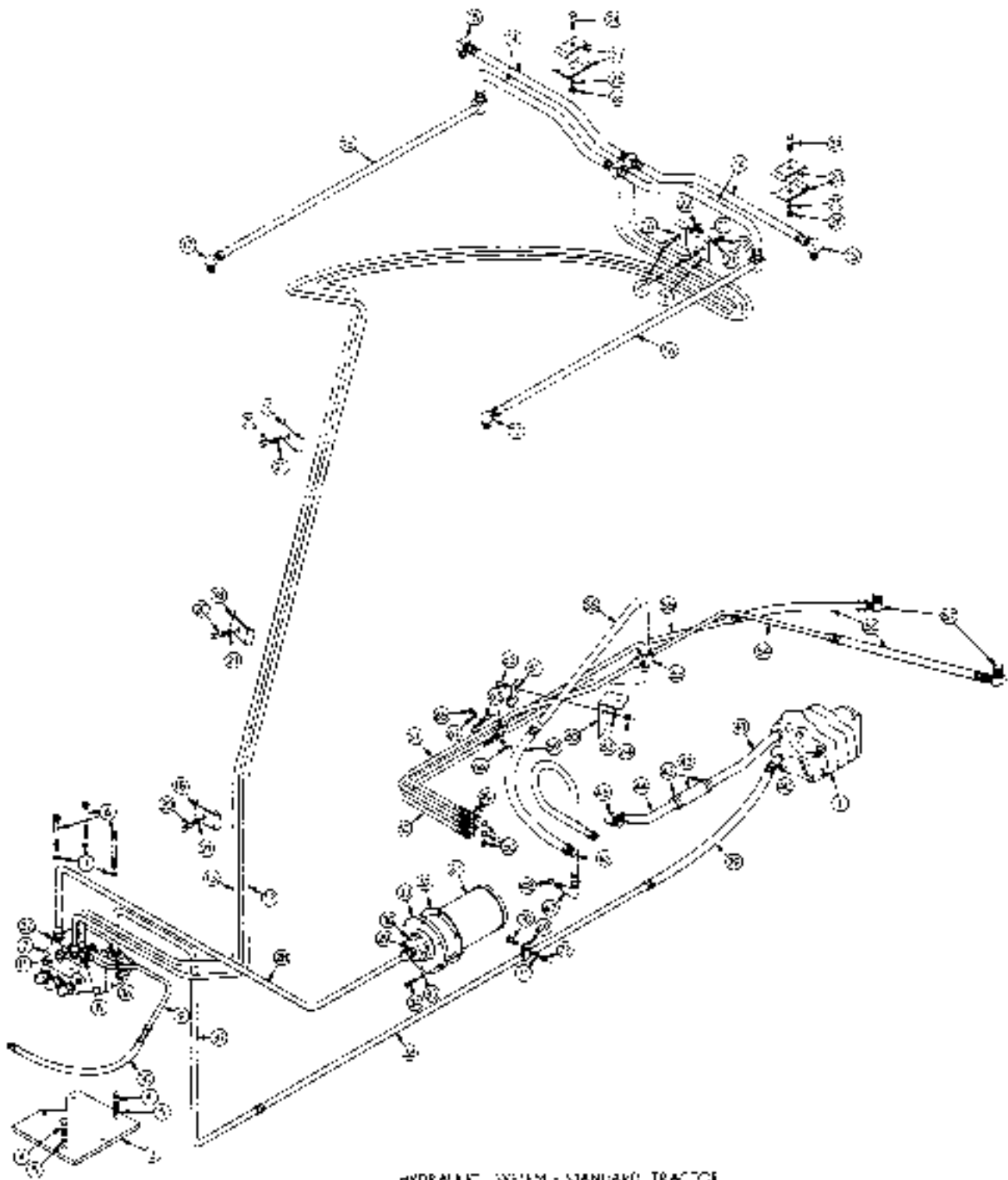
<u>REF.</u>	<u>PART NO.</u>	<u>DESCRIPTION</u>	<u>SEQ'N.</u>
1	60850	GUARD ASS'Y. - overhead.....	1
2	14-1040	HHCS - 5/8-18 NF x 2 1/2 (60850 mt'g.)..... (45762) ..	4
3	92-10	WASHER - med. sec. lock..... (48450) ..	4
4	25-1110	NUT - reg. SF hex (5/8-18 NF)..... (48106) ..	4
5	60867	STRAP - support.....	2
6	14-828	HHCS - 1/2-20 NF x 1 3/4 (60867 mt'g.)..... (45709) ..	6
7	92-8	WASHER - med. sec. lock..... (48448) ..	6
8	25-118	NUT - reg. SF hex (1/2-20 NF)..... (48104) ..	6
9	14-1224	HHCS - 3/4-16 NF x 1 1/2 (60867 mt'g.)..... (45703) ..	4
10	92-10	WASHER - med. sec. lock..... (48452) ..	4
11	60898	CYLINDER ASS'Y. - hyd. (see page # 53 for breakdown).....	2
12	18743	PIN - cylinder mt'g.....	2
13	132-152	PIN - cotter. 1/4 dia. x 1 3/4..... (48738) ..	4
14	16726	PIN - cylinder mt'g.....	2
15	132-152	PIN - cotter. 1/4 dia. x 1 3/4..... (48738) ..	4
	17631	BUSHING - cylinder mt'g., rod end (not shown).....	2



HYDRAULIC CYLINDER INSTALLATION

HYDRAULIC CYLINDER ASSEMBLY - MAST TILT

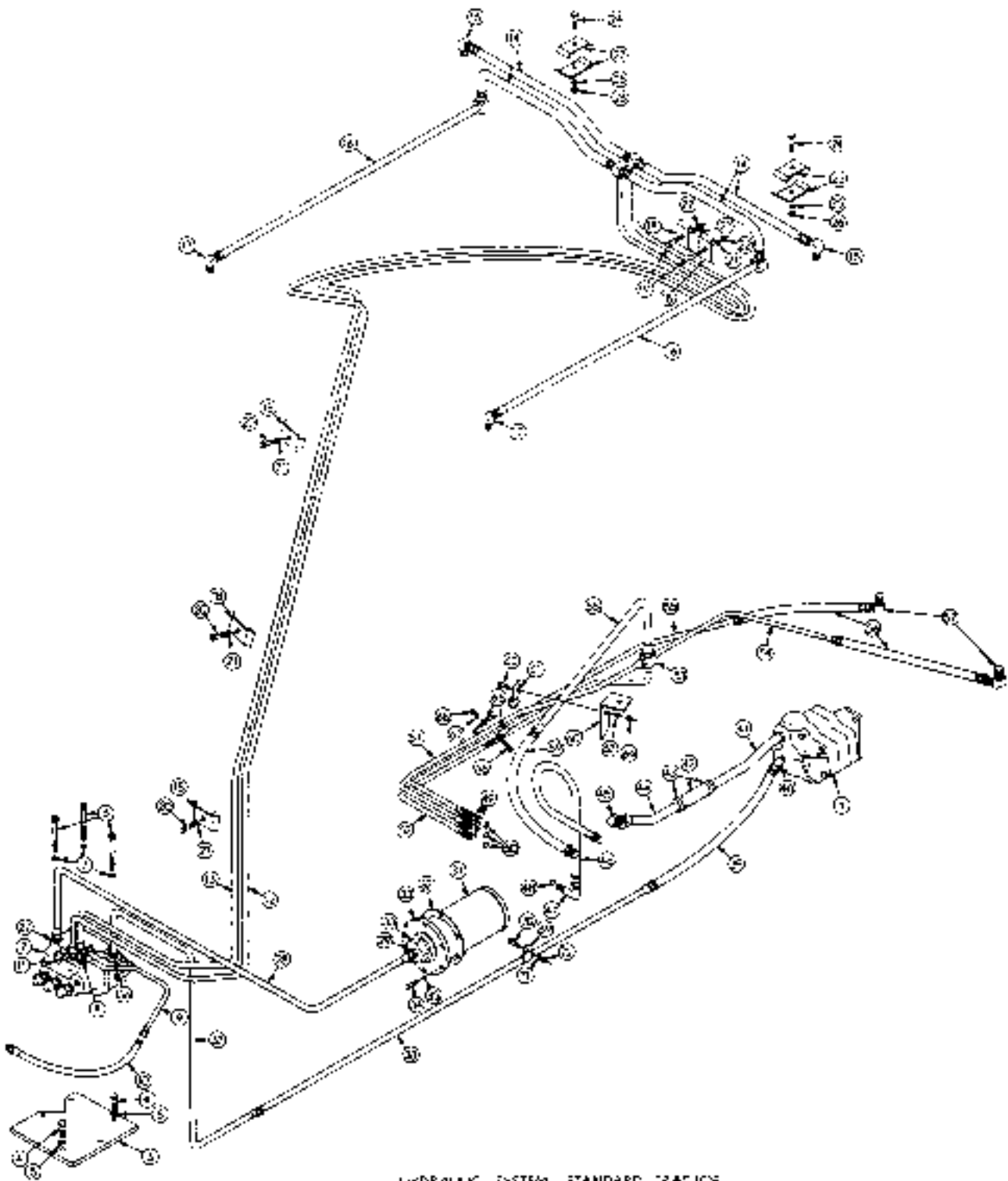
<u>REF.</u>	<u>PART NO.</u>	<u>DESCRIPTION</u>	<u>REQ'D.</u>
1	60899	CYLINDER ASS'Y. - hydraulic.....	2
2	60904	TUBE - hydraulic cylinder.....	1
3	17591	END - cylinder.....	1
4	49382	SEAL - "O" ring.....	2
5	60899	END YOKE & PISTON ROD ASS'Y.....	1
6	30630	WASHER - retaining.....	1
7	30631	BLOCK - spacer.....	1
8	17598	PACKING - piston.....	1
9	131-368	NUT - lock (3/4-16 NF)..... (17605) ..	1
10	17597	PACKING - rod.....	1
11	17602	WASHER - packing.....	1
12	17603	SEAL - wiper.....	1
13	17604	RING - snap.....	1
14	17592	CAP - end.....	1
15	60905	ROD - tie.....	4
16	131-366	NUT - lock (3/8-24 NF)..... (17606) ..	8



HYDRAULIC SYSTEM - STANDARD TRACTOR

HYDRAULIC SYSTEM - STANDARD TRACTOR

REF.	PART NO.	DESCRIPTION	REQ'D.
1	16860	PUMP ASS'Y. - hyd. (see page #59 for breakdown)	1
2	16600	VALVE ASS'Y. - hyd. (see page #61 for breakdown)	1
3	60647	PLATE - valve mounting	1
4	13-920	NHCS - 9/16-12 NF x 1 1/4 (60647 mt'g.) (45132)	2
5	92-9	WASHER - med. sec. lock (48449)	2
6	47404	NHCS - 3/8-16 NF x 3 1/2 (16600 mt'g.)	3
7	92-6	WASHER - med. sec. lock (48446)	3
8	218-493	ELBOW - 90° male, 1/2 JIC to 1/2 NP (50112)	1
9	D20397	TUBE ASS'Y. - valve to mast cylinder	1
10	18993	HOSE ASS'Y. - valve to mast cylinder	1
11	218-456	CONNECTOR - male, 1/2 JIC to 1/2 NP (50022)	2
12	35355	TUBE ASS'Y. - valve to tilt cylinders	1
13	35356	TUBE ASS'Y. - valve to tilt cylinders	1
14	37219	HOSE ASS'Y. - valve to tilt cylinders	4
15	218-493	ELBOW - 90° male, 1/2 JIC to 1/2 NP (50022)	2
16	35672	TUBE ASS'Y. - to tilt cylinders front ports	2
17	218-493	ELBOW - 90° male, 1/2 JIC to 1/2 NP (50112)	2
18	32978	PLATE - clamp (35355 & 35356 mt'g.)	5
19	14-524	NHCS - 5/16-24 NF x 1 1/2 (32978 mt'g.) (45633)	2
20	14-516	NHCS - 5/16-24 NF x 1 (32978 mt'g.) (45631)	3
21	92-5	WASHER - med. sec. lock (48445)	5
22	25-115	NUT - reg. SF hex (5/16-24 NF) (48101)	2
23	32978	PLATE - clamp (37219 mt'g.)	4
24	14-524	NHCS - 5/16-24 NF x 1 1/2 (32978 mt'g.) (45633)	2
25	92-5	WASHER - med. sec. lock (48445)	2
26	25-115	NUT - reg. SF hex (5/16-24 NF) (48101)	2
27	218-446	CONNECTOR - male, 3/4 JIC to 3/4 NP (50026)	1
28	D20238	TUBE ASS'Y. - valve to tank	1
29	218-446	CONNECTOR - male, 3/4 JIC to 3/4 NP (50026)	1
30	221-69	BUSHING - outside hex, 1 1/4 NP to 3/4 NP (41659)	1
31	36442	FILTER ASS'Y.	1
32	36321	GASKET - filter inlet cap	1
33	38266	CAP ASS'Y. - filter inlet	1
34	14-616	NHCS - 3/8-24 NF x 1 (38266 mt'g.) (45656)	6
35	92-6	WASHER - med. sec. lock (48446)	6
36	218-458	CONNECTOR - male, 3/4 JIC to 1/2 NP (50027)	1
37	18970	TUBE ASS'Y. - valve to pump	1
38	36586	TUBE ASS'Y. - valve to pump	1
39	36570	HOSE ASS'Y. - valve to pump	1
40	218-538	ELBOW - 45° male, 3/4 JIC to 3/4 NP (50146)	1
41	33726	TUBE ASS'Y. - pump to tank	1
42	32796	HOSE - low pressure	1
43	49766	CLAMP - hose	2
44	D20236	TUBE ASS'Y. - pump to tank	1
45	218-488	ELBOW - 90° male, 1" JIC to 1" NP (50119)	1
46	D20193	HOSE ASS'Y. - tank to torque converter	1
47	D20071	ELBOW - special	1
48	49401	SEAL - "O" ring	1
49	50871	CONNECTOR - male, special	3
50	49400	SEAL - "O" ring	3
51	19216	TUBE ASS'Y. - torque converter to tee	1
52	19215	TUBE ASS'Y. - torque converter to tee	1
53	50000	CROSS - JIC	1
54	D20165	TUBE ASS'Y. - tee to radiator	1
55	D20163	TUBE ASS'Y. - torque converter to radiator	1
56	36724	HOSE ASS'Y. - to radiator	2
57	218-483	ELBOW - 90° male, 3/8 JIC to 1/4 NP (50106)	2
58	D20293	TUBE ASS'Y. - tee to tank	1
59	D20195	HOSE ASS'Y. - tee to tank	1
60	D20191	BRACKET - clamp support	1

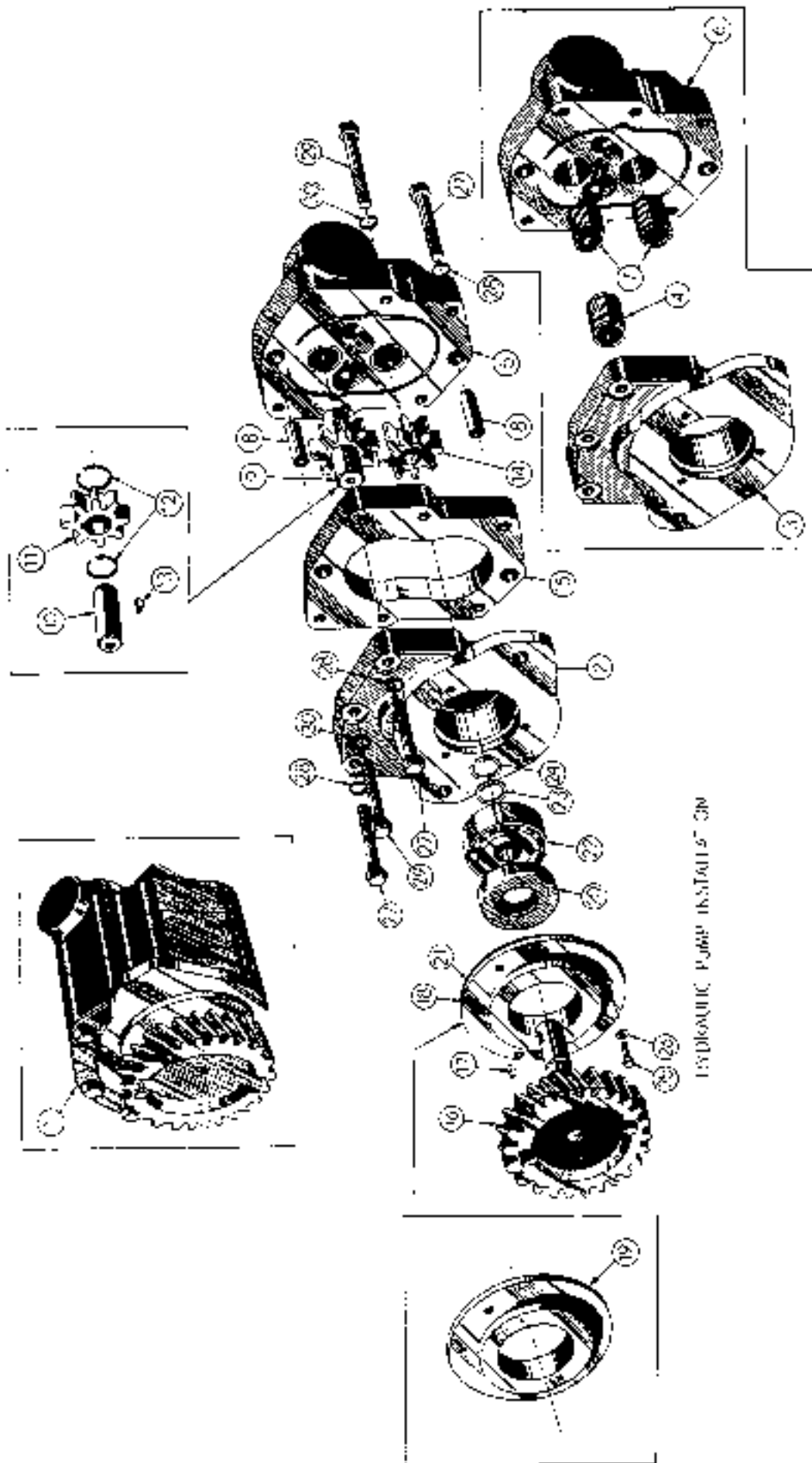


HYDRAULIC SYSTEM STANDARD TRACTOR

HYDRAULIC SYSTEM - STANDARD TRACTOR

57

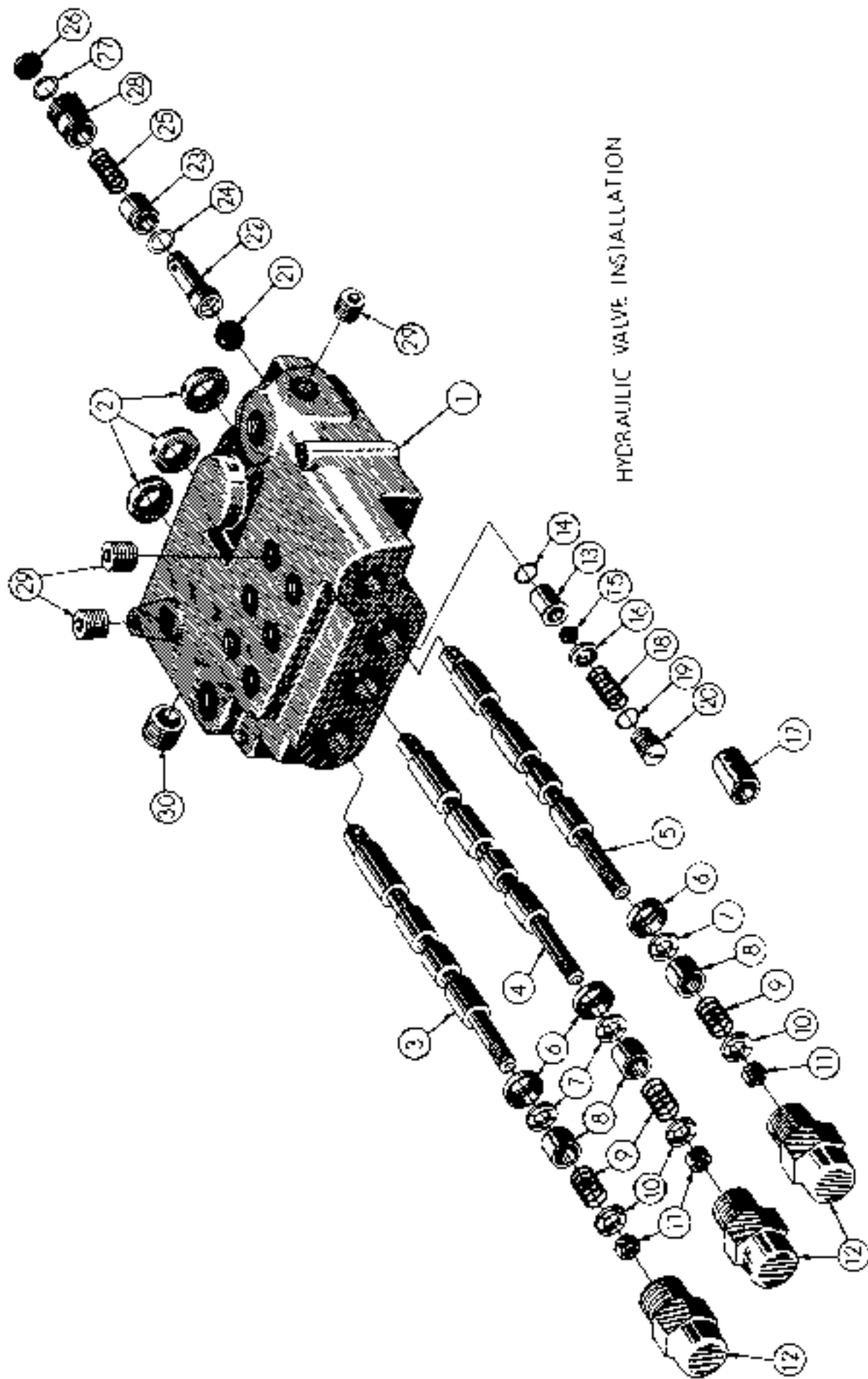
<u>REF.</u>	<u>PART NO.</u>	<u>DESCRIPTION</u>	<u>REQ'D.</u>
61	49789	CLAMP - tube (D20299 mt'g.).....	1
62	14-412	NUTS - 1/4-28 NF x 3/4 (49789 mt'g.)..... (45604) ..	1
63	92-4	WASHER - med. sec. lock..... (48444) ..	1
64	25-114	NUT - reg. SF hex (1/4-28 NF)..... (48100) ..	1
65	D20234	CLAMP - plate (19216 & D20163 mt'g.).....	2
66	14-520	NUTS - 5/16-24 NF x 1 1/4..... (45632) ..	1
67	92-5	WASHER - med. sec. lock..... (48445) ..	1
68	25-115	NUT - reg. SF hex (5/16-24 NF)..... (48101) ..	1
69	49855	CLAMP - tube (36586 mt'g.).....	1
70	14-516	NUTS - 5/16-24 NF x 1 (49855 mt'g.)..... (45631) ..	1
71	92-5	WASHER - med. sec. lock..... (48445) ..	1
72	25-115	NUT - reg. SF hex (5/16-24 NF)..... (48101) ..	1



HYDRAULIC PUMP INSTALLATION

59

<u>REF.</u>	<u>PART NO.</u>	<u>DESCRIPTION</u>	<u>REQ'D.</u>
1	16860	PUMP ASS'Y. - hydraulic.....	1
2	33184	BODY ASS'Y. - pump.....	1
3	33185	BODY - pump.....	1
4	14228	BEARING - needle.....	1
5	33187	COVER ASS'Y. - pump.....	1
6	33188	COVER - pump.....	1
7	14228	BEARING - needle.....	2
8	14208	PIN - dowel.....	2
9	36382	GEAR & SHAFT ASS'Y. - idler.....	1
10	34451	SHAFT - idler.....	1
11	38434	GEAR - idler.....	2
12	14217	RING - retaining.....	2
13	14215	KEY - woodruff.....	1
14	38383	GEAR - drive.....	1
15	38436	PLATE - gear.....	1
16	14258	GEAR & SHAFT - drive.....	1
17	34455	KEY - woodruff.....	1
18	14220	PLATE ASS'Y. - pilot.....	1
19	14222	PLATE - pilot.....	1
20	Q10983AB	SEAL - oil.....	1
21	14221	GASKET - pilot plate.....	1
22	MT2041S	BEARING - ball.....	1
23	14218	WASHER - shim.....	1
24	14217	RING - retaining.....	1
25	14234	NUTS.....	3
26	48523	WASHER - lock, shakeproof.....	3
27	14202	NUTS.....	6
28	14203	WASHER - lock.....	6
29	14201	NUTS.....	2
30	14204	WASHER - lock.....	2



HYDRAULIC VALVE INSTALLATION

HYDRAULIC VALVE INSTALLATION

<u>REF.</u>	<u>PART NO.</u>	<u>DESCRIPTION</u>	<u>REQ'D.</u>
	16600	VALVE ASS'Y, - hydraulic,.....	1
1	NSS	BODY - hydraulic valve,.....	1
2	16894	SEAL - valve,.....	3
3	16895	SPOOL - type D,.....	1
4	16896	SPOOL - type S,.....	1
5	16897	SPOOL - type P,.....	1
6	16898	GASKET - cap,.....	3
7	16899	WASHER - hydraulic valve,.....	3
8	16900	SPACER - hydraulic valve,.....	3
9	16901	SPRING - centering,.....	3
10	16899	WASHER - hydraulic valve,.....	3
11	16902	NUT - lock,.....	3
12	16903	CAP - hydraulic valve,.....	3
13	16904	SEAT - ball check,.....	1
14	16905	RING - seal, ball check seat,.....	1
15	16906	BALL - check,.....	1
16	16907	FOLLOWER - ball check,.....	1
17	16908	SLEEVE - ball check,.....	1
18	16909	SPRING - ball check,.....	1
19	16910	RING - sealing, ball check cap,.....	1
20	16911	CAP - ball check,.....	1
21	16912	BALL - pressure relief,.....	1
22	16913	PLUNGER - relief valve,.....	1
23	16914	SLEEVE - pressure relief,.....	1
24	16915	RING - sealing, pressure relief spring,.....	1
25	16916	SPRING - pressure relief,.....	1
26	16917	SHIM - pressure relief spring,.....	1
27	16918	RING - sealing, pressure relief cap,.....	1
28	16919	CAP - pressure relief,.....	1
29	41871	PLUG - pipe, sts'k, allen hd., 1/2 NP,.....	3
30	41867	PLUG - pipe, sts'k, allen hd., 3/4 NP,.....	1

FLOOR PLATE & STEERING INSTALLATION

REF.	PART NO.	DESCRIPTION	REQ'D.
1	D20155	PLATE ASS'Y. - floor, front.....	1
2	D20156	PLATE ASS'Y. - floor, rear.....	1
3	14-616	NUTS - 3/8-24 NF x 1 (D20155 & 56 mt'g.)..... (45656)	9
4	92-6	WASHER - med, sec, lock..... (48446)	9
5	25-116	NUT - reg, SF hex (3/8-24 NF)..... (48102)	6
6	D20157	PLATE - ratchet.....	1
7	14-816	NUTS - 1/2-20 NF x 1 (D20157 mt'g.)..... (45706)	2
8	92-8	WASHER - med, sec, lock..... (48448)	2
9	25-118	NUT - reg, SF hex (1/2-20 NF)..... (48104)	2
10	60672	SHAFT & LEVER ASS'Y. - brake.....	2
11	33603	SPACER - brake shaft.....	2
12	31387	LEVER ASS'Y. - brake.....	2
13	48816	KEY - square, 1/4 x 1.....	2
14	33604	RATCHET - brake lever.....	2
15	60973	CLIP - ratchet catch.....	2
16	14-624	NUTS - 3/8-24 NF x 1 1/2 (33604 & 60973 mt'g.)..... (45658)	2
17	25-157	NUT - hex jam (3/8-24 NF)..... (48192)	2
18	31400	GRIP - rubber.....	2
19	48603	YOKE - adjustable.....	2
20	141-4	PIN - yoke..... (48663)	2
21	132-26	PIN - cotter, 3/32 dia, x 3/4..... (48683)	2
22	25-116	NUT - reg, SF hex (3/8-24 NF)..... (48102)	2
23	60180	ROD - steering.....	2
24	11471	NUT - steering rod.....	2
25	11469	SPRING - brake lever return.....	2
26	60679	BRACKET - valve levers pivot.....	2
27	14-616	NUTS - 3/8-24 NF x 1 (60679 mt'g.)..... (45656)	2
28	92-6	WASHER - med, sec, lock..... (48446)	2
29	25-116	NUT - reg, SF hex (3/8-24 NF)..... (48102)	2
30	60673	LEVER ASS'Y. - hydraulic.....	1
31	60674	LEVER ASS'Y. - hydraulic.....	1
32	60675	LEVER ASS'Y. - hydraulic.....	1
33	31375	BALL - grip.....	3
34	60680	SHAFT - pivot.....	1
35	132-71	PIN - cotter, 5/32 dia, x 1 1/4..... (48707)	3
36	48603	YOKE - adjustable.....	3
37	141-4	PIN - yoke..... (48663)	3
38	132-26	PIN - cotter, 3/32 dia, x 3/4..... (48683)	3
39	25-116	NUT - reg, SF hex (3/8-24 NF)..... (48102)	3
40	60682	ROD - connecting.....	3
41	132-26	PIN - cotter, 3/32 dia, x 3/4..... (48683)	3
42	D20216	ACCELERATOR ASS'Y.....	1
43	14-614	NUTS - 3/8-24 NF x 7/8 (D20216 mt'g.)..... (45655)	2
44	95-6	WASHER - plain..... (48406)	2
45	92-6	WASHER - med, sec, lock..... (48446)	2
46	48601	YOKE - adjustable.....	1
47	48661	PIN - yoke.....	1
48	132-7	PIN - cotter, 1/16 dia, x 3/4..... (48674)	1
49	25-114	NUT - reg, SF hex (1/4-28 NF)..... (48103)	1
50	D20218	ROD ASS'Y. - throttle.....	1
51	11469	SPRING - throttle return.....	1
52	60659	GUIDE - throttle.....	1

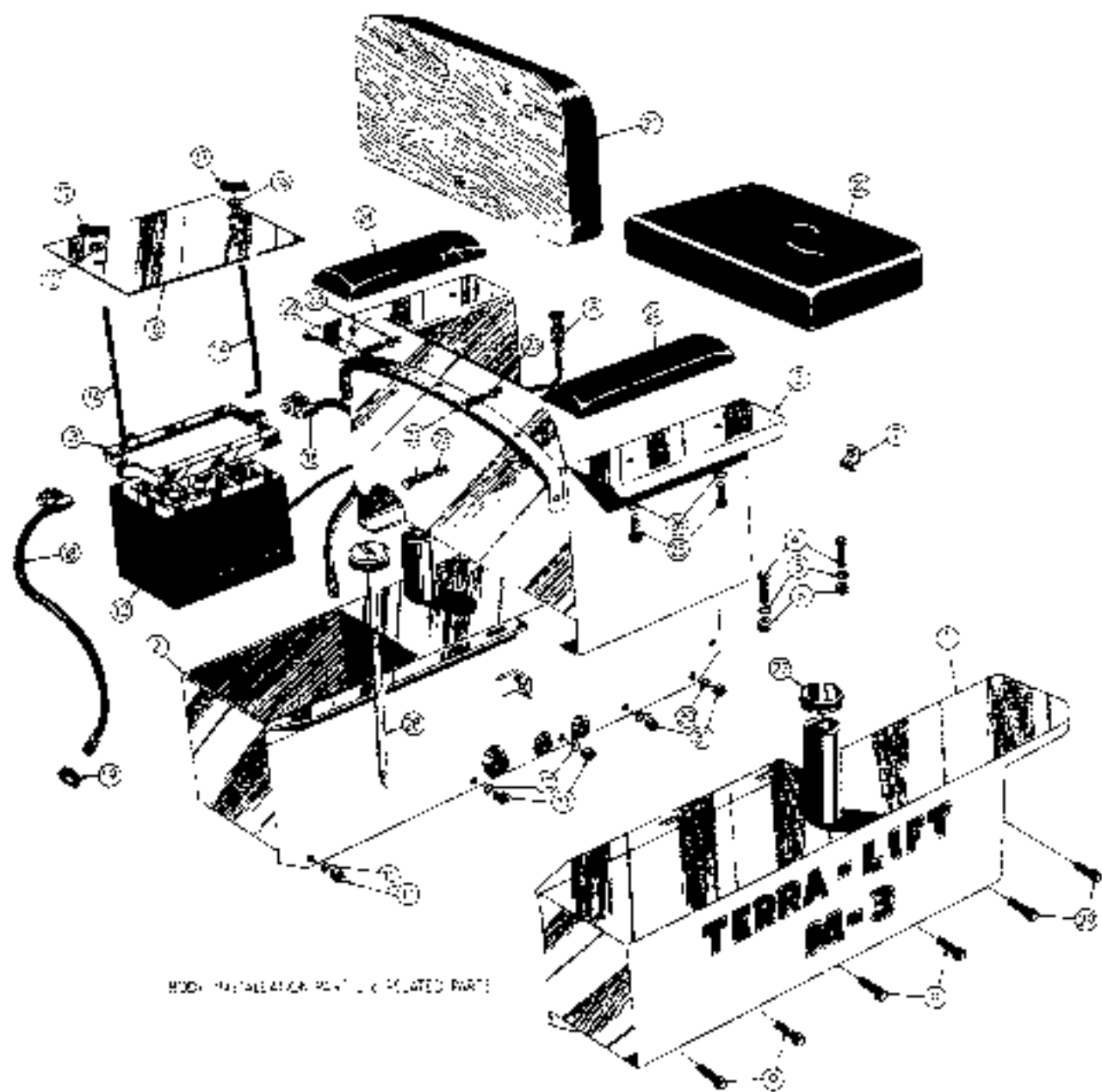


FIG. 1. TERRA-LIFT M-3 LIFT MECHANISM

SEAT, TANK AND BATTERY INSTALLATION

65

<u>REF.</u>	<u>PART NO.</u>	<u>DESCRIPTION</u>	<u>REQ'D.</u>
1	60685	FENDER & TANK ASS'Y. - R.H.	1
2	D20199	FENDER & TANK ASS'Y. - L.H.	1
3	D20232	SEAT ASS'Y.	1
4	14-616	WASHER - 3/8-24 NF x 1 (D20232 mt'g.) (45656)	4
5	92-6	WASHER - med. sec. lock (48446)	4
6	25-116	NUT - reg. SF hex (3/8-24 NF) (48102)	4
7	49774	CLAMP - wire	1
8	60997	CONTROL ASS'Y. - carburetor choke	1
9	14-824	HECS - 1/2-20 NF x 1 1/2 (60685 & D20199 mt'g.) (45708)	4
	14-816	HECS - 1/2-20 NF x 1 (60685 & D20199 mt'g.) (45706)	2
10	92-8	WASHER - med. sec. lock (48448)	6
11	25-118	NUT - reg. SF hex (1/2-20 NF) (48104)	6
12	08934AB	BATTERY - dry type	1
13	60782	HOLD DOWN ASS'Y. - battery	1
14	33547	BOLT - angle, battery hold down	2
15	60727	LIP - battery inspection	1
16	95-5	WASHER - plain (48405)	2
17	129-405	NUT - wing (5/16-18 NC) (48056)	2
18	36983	CABLE ASS'Y. - battery	2
19	49562	GROMMET - rubber, battery cable	2
20	13530	CUSHION - seat	1
21	13533	CUSHION - seat back	1
22	13-412	HECS - 1/4-20 NC x 3/4 (13533 mt'g.) (45004)	3
23	92-4	WASHER - med. sec. lock (48444)	3
24	13532	CUSHION - arm rest	2
25	13-412	HECS - 1/4-20 NC x 3/4 (13532 mt'g.) (45004)	4
26	92-4	WASHER - med. sec. lock (48444)	4
27	10731	CAP - fuel tank	1
28	35073	CAP & GAUGE STICK ASS'Y. - hydraulic tank	1
29	14-616	HECS - 3/8-24 NF x 1 (60685 & D20199 mt'g.) (45656)	4
30	92-6	WASHER - med. sec. lock (48446)	4
31	25-116	NUT - reg. SF hex (3/8-24 NF) (48102)	4

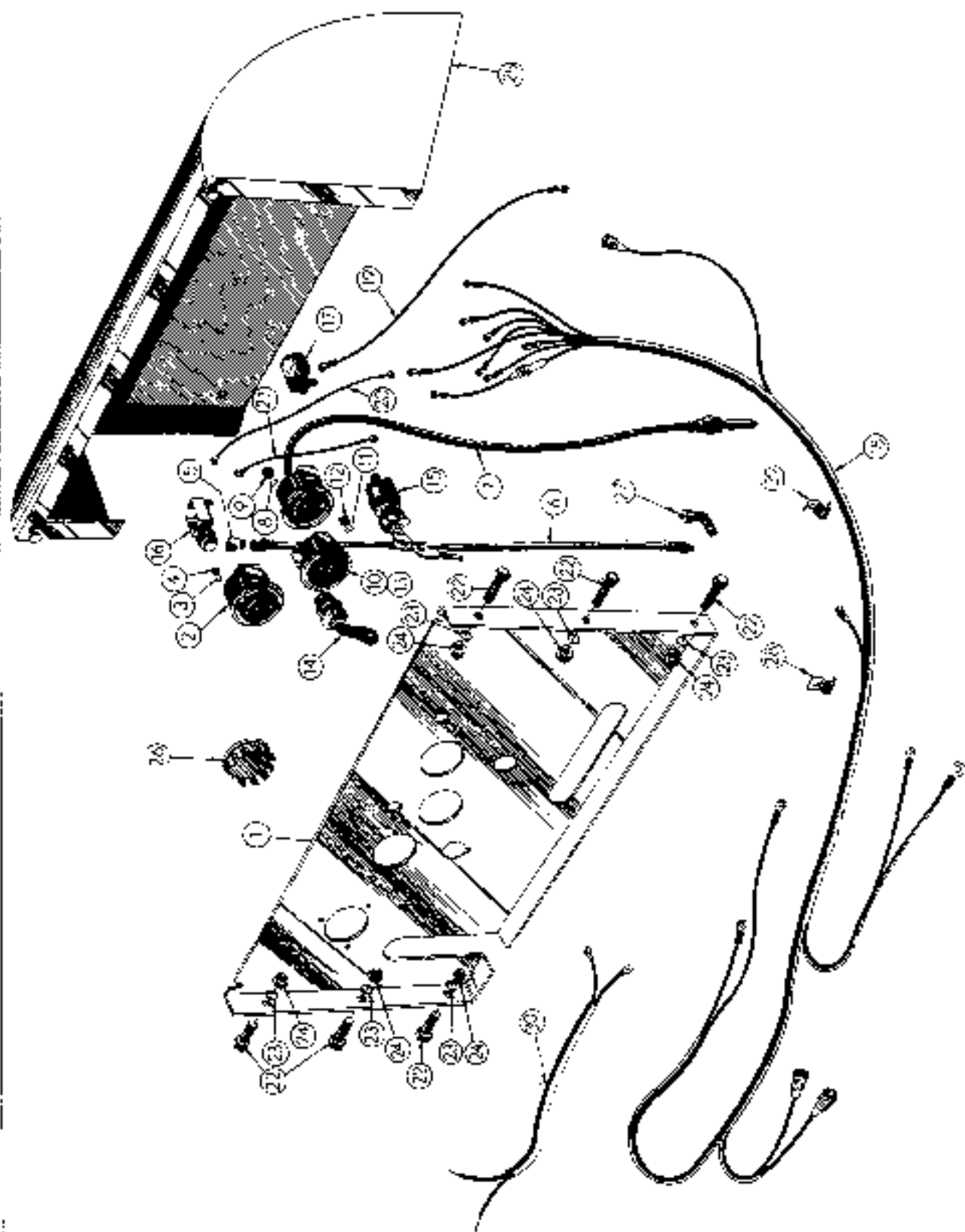
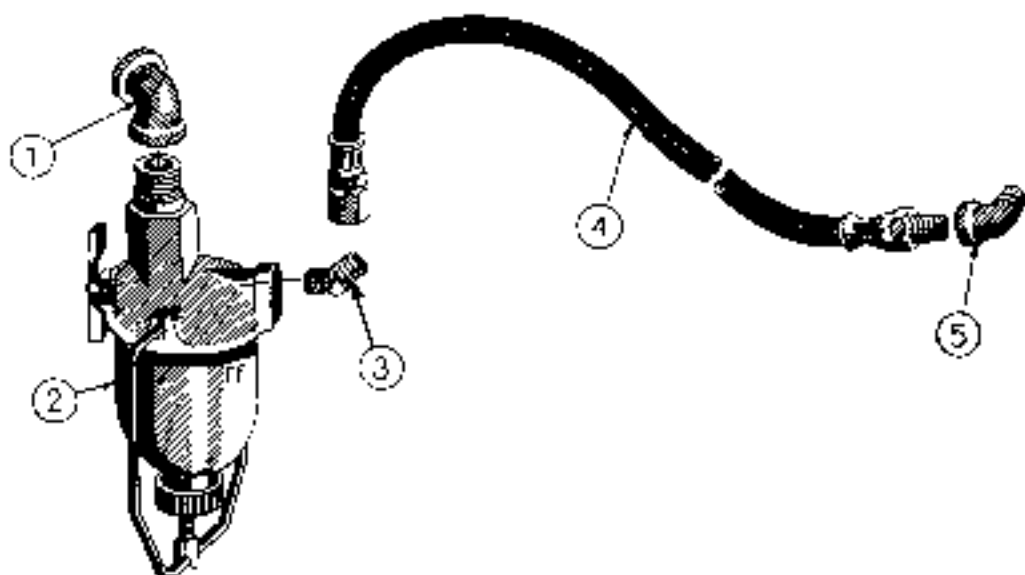


FIG. 1. METAL CABINET - PART II. ELECTRICAL PARTS

DASH PANNEL & INSTRUMENTS

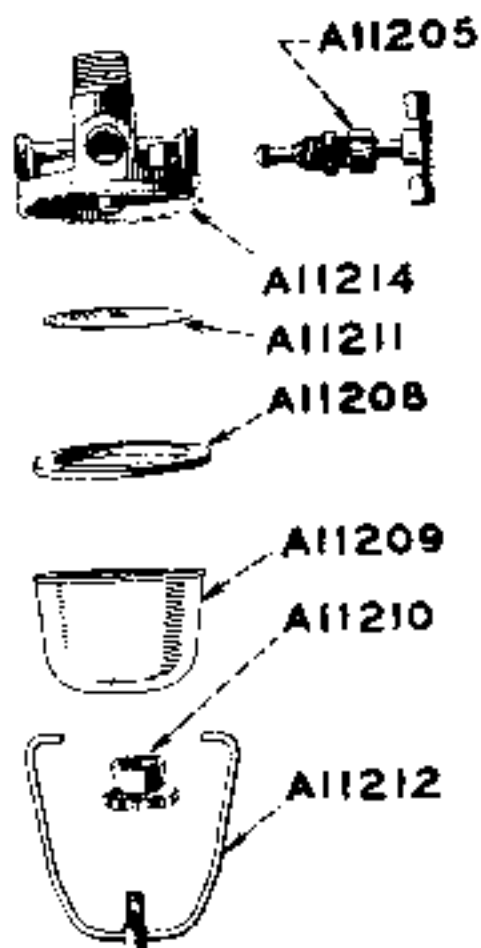
67

REF.	PART NO.	DESCRIPTION	REQ'D.
1	60646	PANNEL - Dash.....	1
2	10818	GAUGE ASS'Y, - Oil pressure.....	1
3	92-3	WASHER - med, sec, lock..... (48443) ..	2
4	48080	NUT - reg, SF hex.....	2
5	50478	ELBOW - 90° female, 1/4 JIC to 1/8 NP.....	1
6	36564	HOSE ASS'Y.....	1
7	10039	INDICATOR ASS'Y, - heat.....	1
8	92-3	WASHER - med, sec, lock..... (48443) ..	3
9	48080	NUT - reg, SF hex.....	2
10	10860	AMMETER ASS'Y	1
11	48502	WASHER - lock, shakeproof.....	2
12	48357	NUT - hex, brass.....	2
13	10859	WASHER - insulation.....	2
14	10855	SWITCH ASS'Y, - headlights.....	1
15	10868	SWITCH ASS'Y, - ignition lock.....	1
16	10864	SWITCH ASS'Y, - push button starter.....	1
17	10849	SWITCH ASS'Y, - tail light.....	1
18	30867	HARNESS ASS'Y, - wiring (inc. ref. #17 & 18).....	1
19	60751	WIRE - jumper, tail light.....	1
20	30863	WIRE - jumper.....	1
21	30864	WIRE - jumper.....	2
22	14-612	NUTS - 3/8-24 NF x 3/4 [60646 mt'g.]..... (45654) ..	6
23	92-6	WASHER - med, sec, lock..... (48446) ..	6
24	25-116	NUT - reg, SF hex (3/8-24 NF)..... (48102) ..	6
25	62087	COVER ASS'Y, - valve.....	1
26	30842	PLUG - button (hour meter hole).....	1
27	221-411	ELBOW - 90° street, 1/8 NP..... (41670) ..	1
28	49778	CLIP - wiring.....	1
29	49876	CLIP - wiring.....	2
30	D20409	WIRING ASS'Y, - tail light.....	1



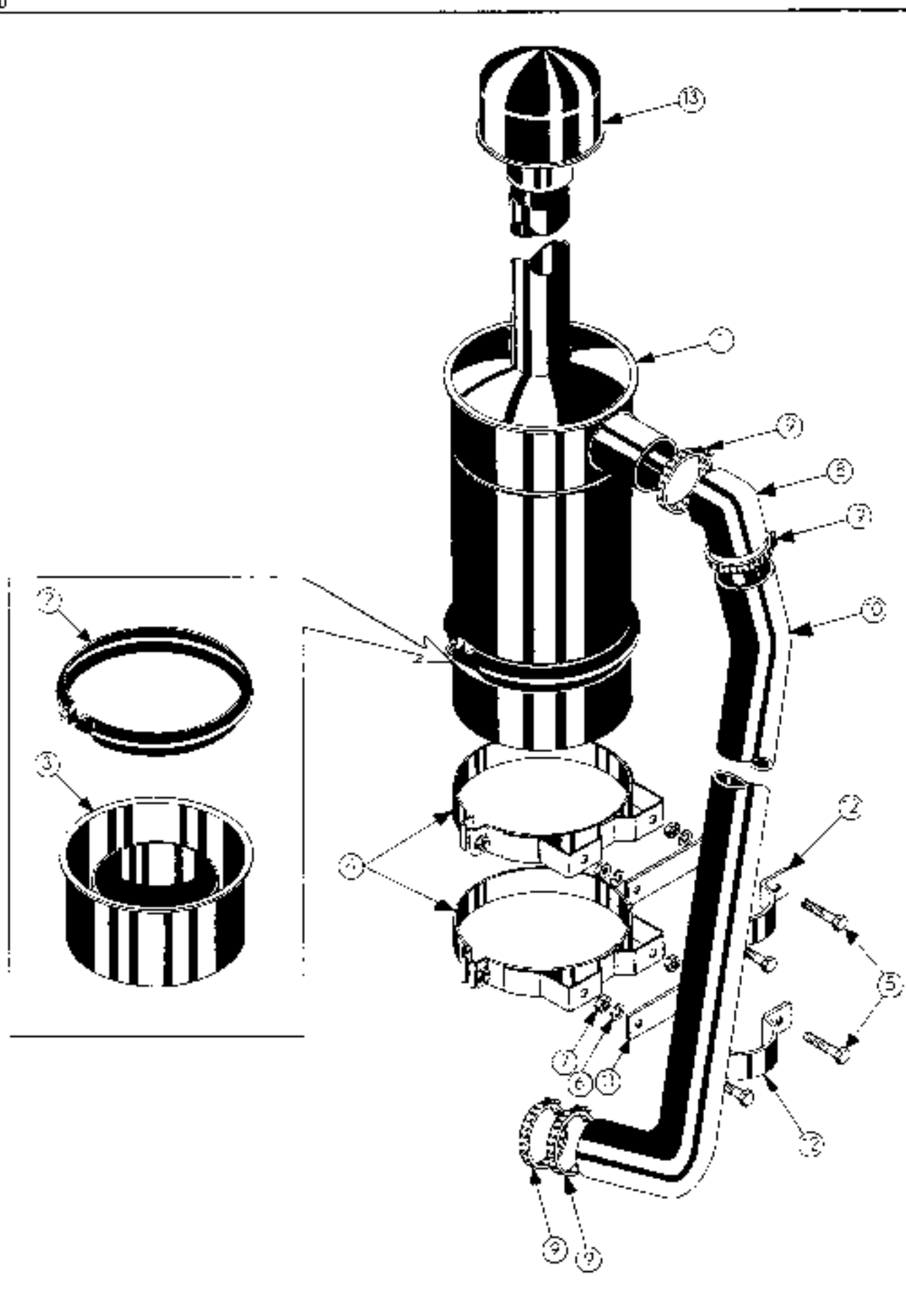
FUEL LINE & STRAINER INSTALLATION

FUEL STRAINER PARTS



FUEL LINE & STRAINER INSTALLATION

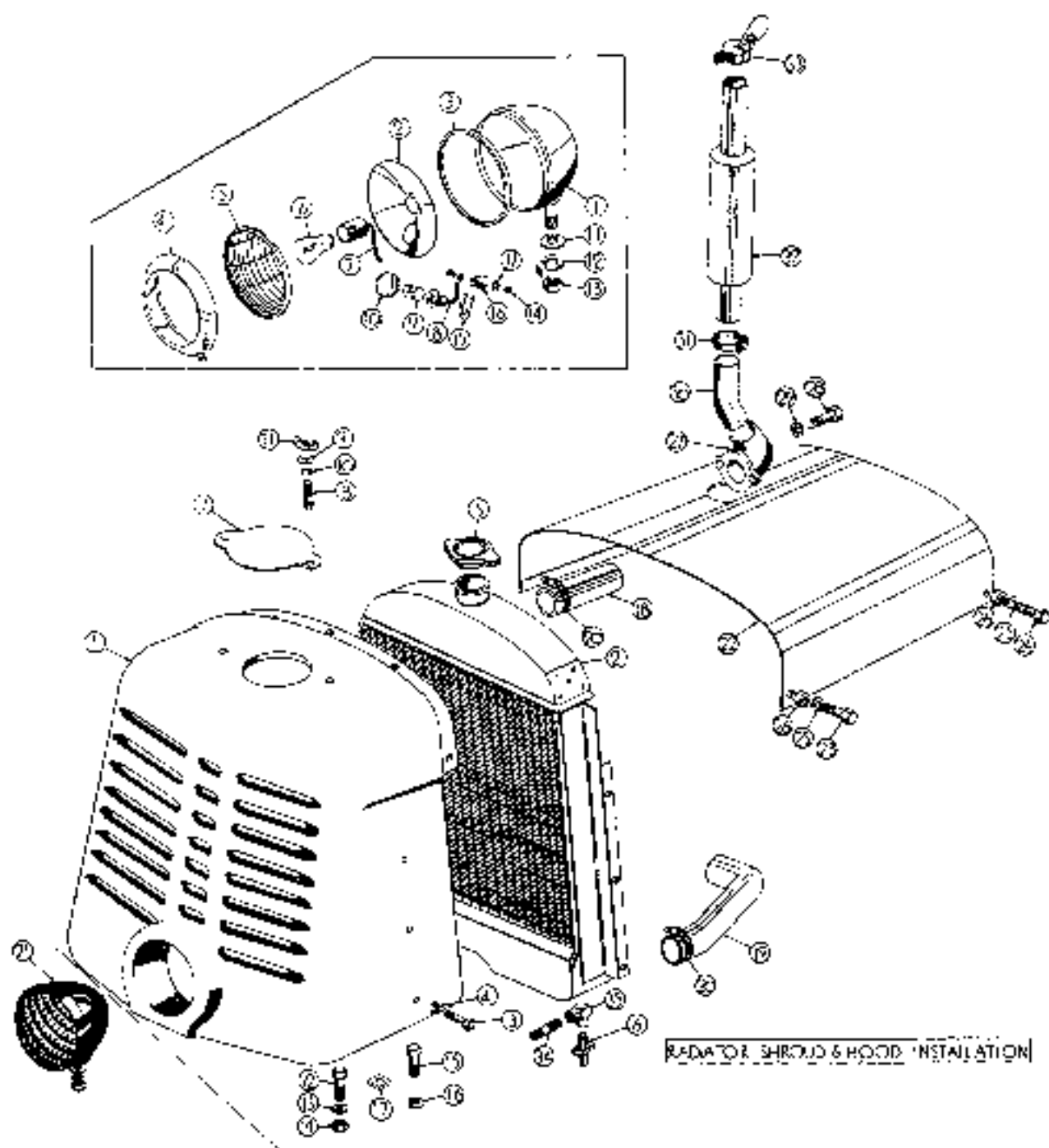
<u>QTY.</u>	<u>PART NO.</u>	<u>DESCRIPTION</u>	<u>REQ'D.</u>
1	221-376	ELBOW - 90° female, 3/8 NP.....(41662)..	1
2	C3990AB1	STRAINER ASS'Y. - fuel.....	1
3	218-531	ELBOW - 45° male, 1/8 NP x 7/16-20 NF.....(50132)..	1
4	36566	HOSE ASS'Y. - fuel line.....	1
5	221-411	ELBOW - 90° street, 1/8 NP.....(41670)..	1
FUEL STRAINER ASS'Y. (C3990AB1)			
	A11205	VALVE - shut off.....	1
	A11208	GASKET - bowl.....	1
	A11209	BOWL - glass (optional to A11213).....	1
	A11210	CUP & NUT - bail.....	1
	A11211	SCREEN - strainer.....	1
	A11212	BAIL - bowl.....	1
	A11213	BOWL - metal (optional to A11209).....	1
	A11214	HEAD.....	1



AIR CLEANER INSTALLATION

71

<u>REF.</u>	<u>PART NO.</u>	<u>DESCRIPTION</u>	<u>REQ'D.</u>
1	34346	AIR CLEANER ASS'Y.....	1
2		CLAMP - oil cup retaining.....	1
3		CUP ASS'Y, - oil.....	1
4	34347	BAND - air cleaner mt'g.....	2
5	14-528	NHCS - 5/16-24 NF x 1 3/4 [34347 mt'g.]..... (45634) ..	4
6	92-5	WASHER - med. sec. lock..... (48445) ..	4
7	25-115	NUT - reg. SF hex (5/16-24 NF)..... (48101) ..	4
8	33315	ELBOW - hose.....	2
9	G10807	CLAMP - hose.....	4
10	D20212	TUBE - air cleaner.....	1
11	D20214	STRAP.....	2
12	D20213	CLAMP - air cleaner tube.....	2
13	34386	CAP - air cleaner inlet.....	1



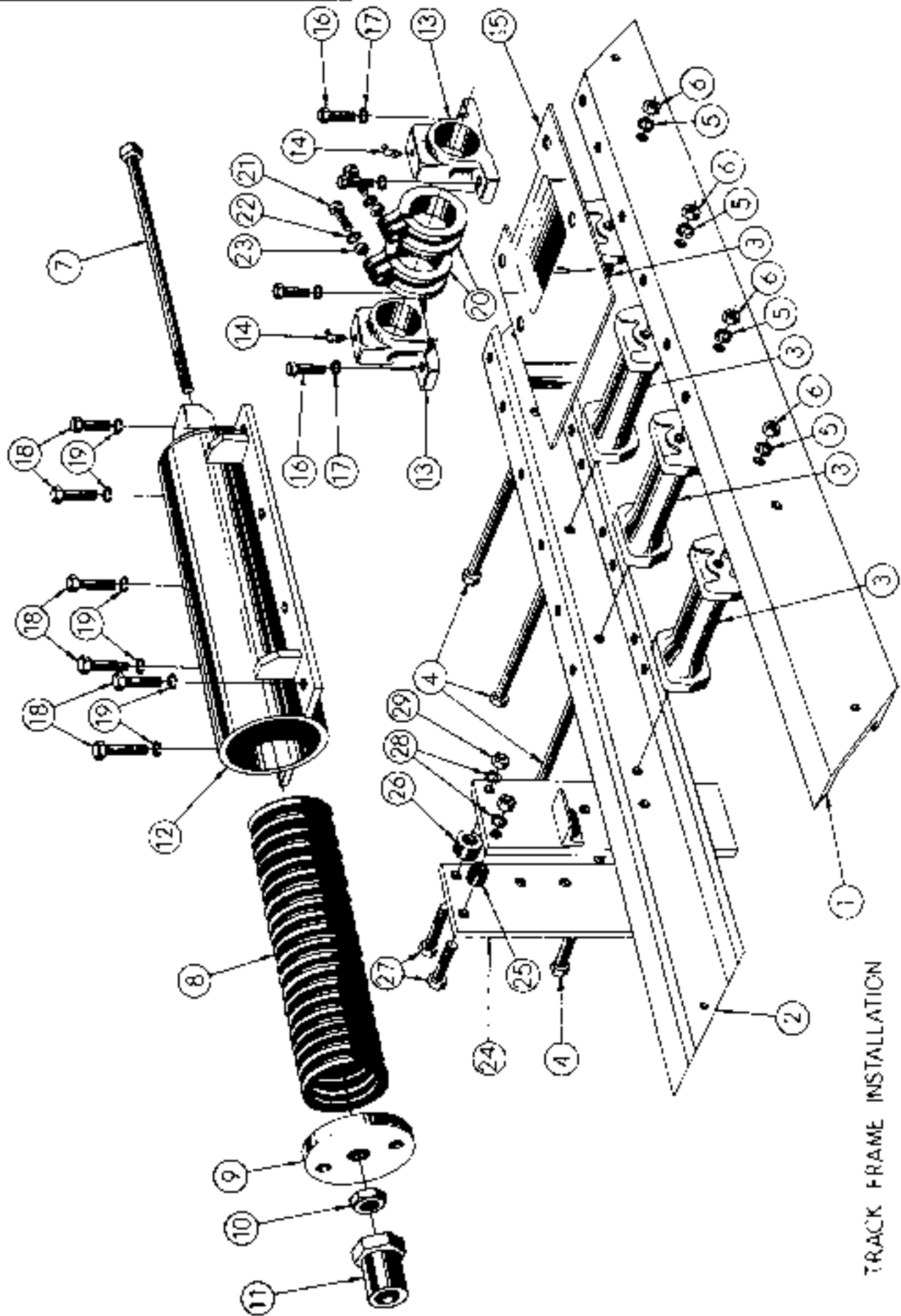
RADIATOR SHROUD & HOOD INSTALLATION

RADIATOR SHROUD & HOOD INSTALLATION

REF.	PART NO.	DESCRIPTION	REQ'D.
1	60432	SHROUD - radiator.....	1
2	34617	RADIATOR ASS'Y.....	1
3	13-516	NHCS - 5/16-18 NC x 1 (34617 mt'g.)..... (45031) ..	6
4	92-5	WASHER - med. sec. lock..... (48445) ..	6
5	31988	CAP - radiator pressure.....	1
6	217-92	DRAINCOCK - special.....	1
7	10717	PLATE - cover.....	1
8	13-520	NHCS - 5/16-18 NC x 1 1/4 (10717 mt'g.)..... (45032) ..	2
9	195-21	WASHER -plain..... (48425) ..	2
10	92-5	WASHER - med. sec. lock..... (48445) ..	2
11	123-405	NUT - wing (5/16-18 NC)..... (48056) ..	2
12	14-1288	NHCS - 3/4-16 NF x 5 1/2 (60432 mt'g.)..... (45796) ..	2
13	195-45	WASHER - plain..... (48432) ..	2
14	131-368	NUT - lock (3/4-16 NF)..... (17605) ..	2
15	14-836	NHCS - 1/2-20 NF x 2 1/4..... (45711) ..	2
16	131-156	NUT - lock (1/2-20 NF)..... (17586) ..	2
17	60552	SPACER - c/weight mt'g. top.....	2
18	31116	HOSE - radiator inlet.....	1
19	30739	HOSE - radiator outlet.....	1
20	510807	CLAMP - hose.....	4
21	10914	LIGHT ASS'Y. - tail.....	1
22	D20171	HOOD - engine.....	1
23	14-616	NHCS - 3/8-24 NF x 1 (D20171 mt'g.)..... (45656) ..	5
24	14-612	NHCS - 3/8-24 NF x 3/4 (D20171 mt'g.)..... (45654) ..	5
25	92-6	WASHER - med. sec. lock..... (48446) ..	10
26	25-116	NUT - reg. 5P hex (3/8-24 NF)..... (48102) ..	10
27	33311	ELBOW - exhaust.....	1
28	13-632	NHCS - 3/8-16 NC x 2 (33311 mt'g.)..... (45060) ..	2
29	92-6	WASHER - med. sec. lock..... (48446) ..	2
30	39147	PIPE - exhaust.....	1
31	G13184	CLAMP - exhaust.....	2
32	39148	MUFFLER ASS'Y.....	1
33	10944	CAP - rear, exhaust.....	1
34	221-141	NIPPLE - pipe, 1/4 NF x 4..... (41463) ..	3
35	221-375	ELBOW - 90° female, 1/4 NF..... (41551) ..	1

TAIL LIGHT ASS'Y.

	10914	LIGHT ASS'Y. - tail.....	1
1	10918	BODY ASS'Y.....	1
2	10917	REFLECTOR ASS'Y.....	1
3	10915	GASKET ASS'Y.....	1
4	10896	MOULDING ASS'Y.....	1
5	10895	LENS.....	1
6	10916	BULB.....	1
7	10919	WIRE ASS'Y.....	1
8	10920	SOCKET & WIRE ASS'Y.....	2
9	10921	BULB.....	1
10	10922	JEWEL ASS'Y.....	1
11	10923	WASHER - bearing.....	1
12	10924	WASHER - lock.....	1
13	10925	NUT - hex.....	1
14	10926	SCREW.....	4
15	10927	SPRING.....	2
16	10928	PLATE.....	2
17	10929	WASHER.....	4
18	10934	SCREW.....	1

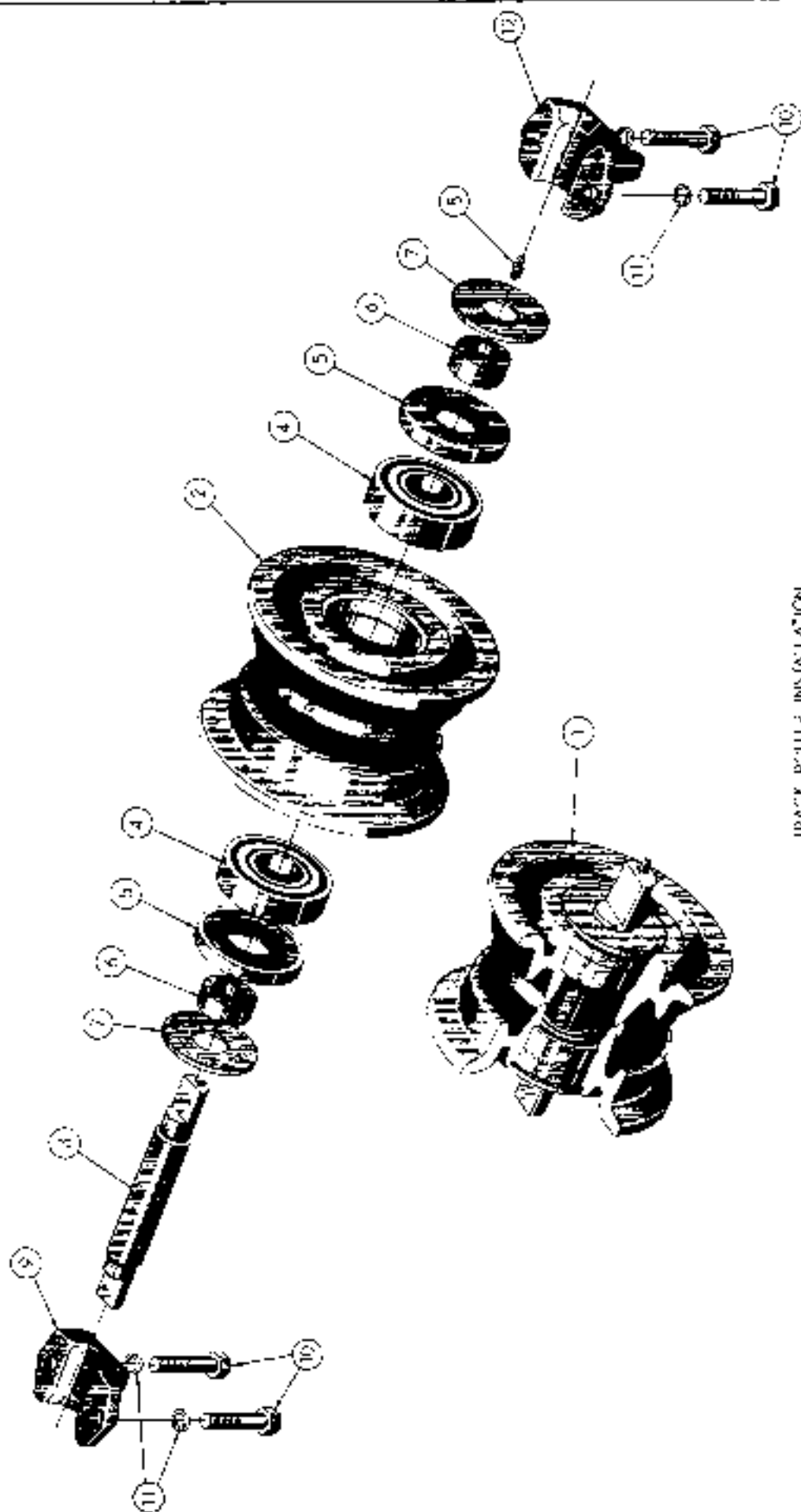


TRACK FRAME INSTALLATION

TRACK FRAME INSTALLATION

75

<u>REF.</u>	<u>PART NO.</u>	<u>DESCRIPTION</u>	<u>REQ'D.</u>
1	31832	CHANNEL - track, outer, R.E.....	1
	31833	CHANNEL - track, outer, L.E.....	1
2	33945	CHANNEL ASS'Y. - track, inner, R.E.....	1
	33946	CHANNEL ASS'Y. - track, inner, L.E.....	1
3	32093	SPACER - track frame.....	8
4	46493	HHMB - 3/4-16 NF x 10 7/8.....	8
5	92-12	WASHER - med. sec. lock..... (48452) ..	8
6	25-1112	NUT - reg. SF hex (3/4-16 NF)..... (46107) ..	8
	60896	SPRING ASS'Y. - recoil.....	2
7	32094	BOLT - track adjusting.....	1
8	12088	SPRING - recoil.....	1
9	32096	NUT - tension adjusting.....	1
10	25-1516	NUT - hex jam (1-14 NF)..... (48199) ..	1
11	32095	NUT - track adjusting.....	1
12	60787	HOUSING ASS'Y. - recoil.....	1
13	15082	BLOCK - pivot.....	4
14	219-49	FITTING - grease. 67 1/2°, 1/4 NF..... (49232) ..	4
15	32542	PAN - mud.....	2
16	14-1228	HRCS - 3/4-16 NF x 1 3/4 (15082 mt'g.)..... (45784) ..	8
17	92-12	WASHER - med. sec. lock..... (48452) ..	8
18	14-1024	HRCS - 5/8-18 NF x 1 1/2 (60896 mt'g.)..... (45758) ..	12
19	92-10	WASHER - med. sec. lock..... (48450) ..	12
20	15101	CLAMP - track mt'g.....	4
21	14-1048	HRCS - 5/8-18 NF x 3 (15101 mt'g.)..... (45764) ..	4
22	92-10	WASHER - med. sec. lock..... (48450) ..	4
23	25-1110	NUT - reg. SF hex (5/8-18 NF)..... (48106) ..	4
24	32181	PLATE - track support.....	2
25	12182	SPACER.....	6
26	12332	SPACER.....	2
27	14-1048	HRCS - 5/8-18 NF x 3 (32181 mt'g.)..... (45764) ..	8
28	92-10	WASHER - med. sec. lock..... (48450) ..	8
29	25-1110	NUT - reg. SF hex (5/8-18 NF)..... (48106) ..	8

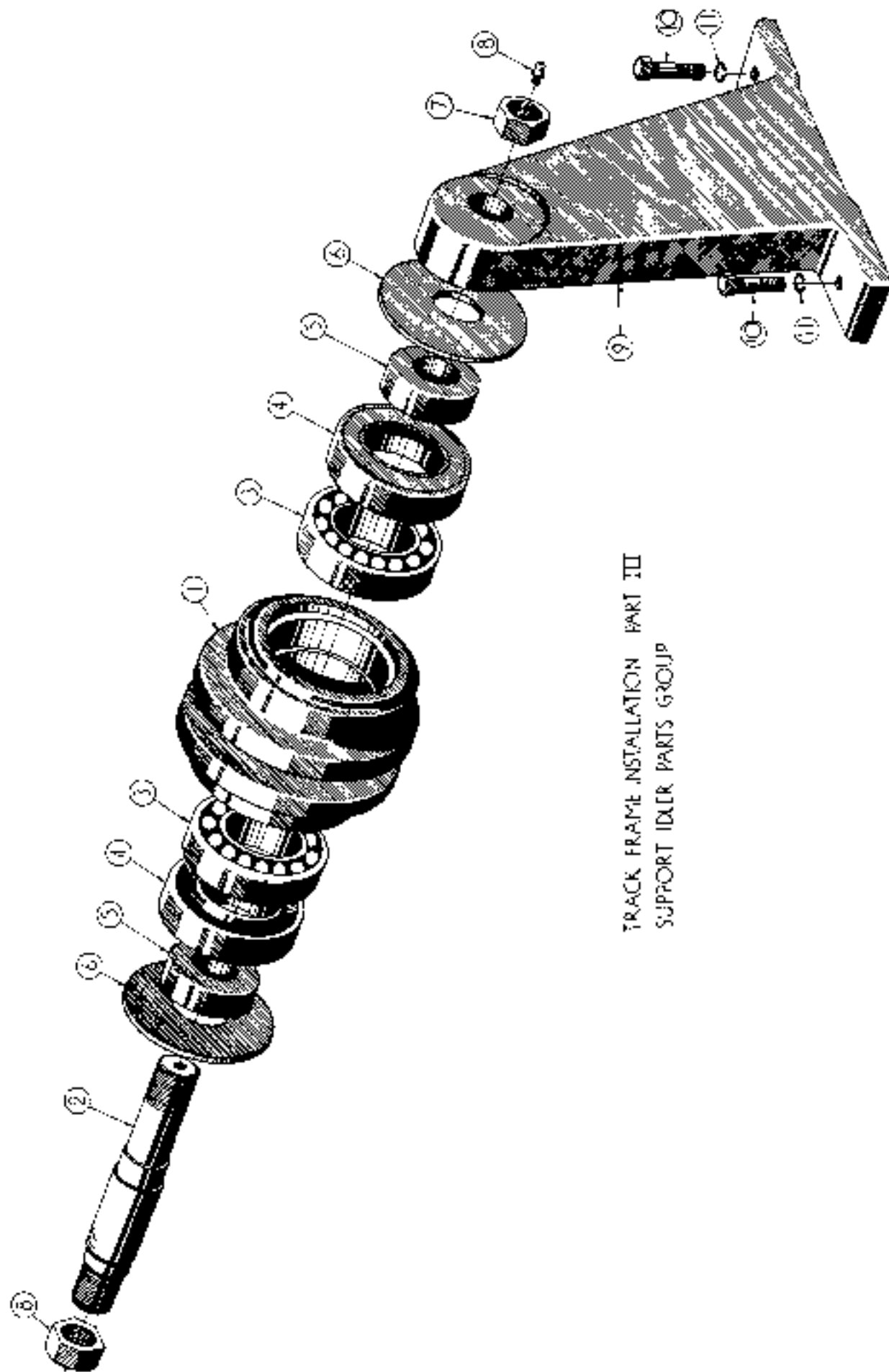


TRACK ROLLER INSULATION

TRACK ROLLER ASS'Y.

77

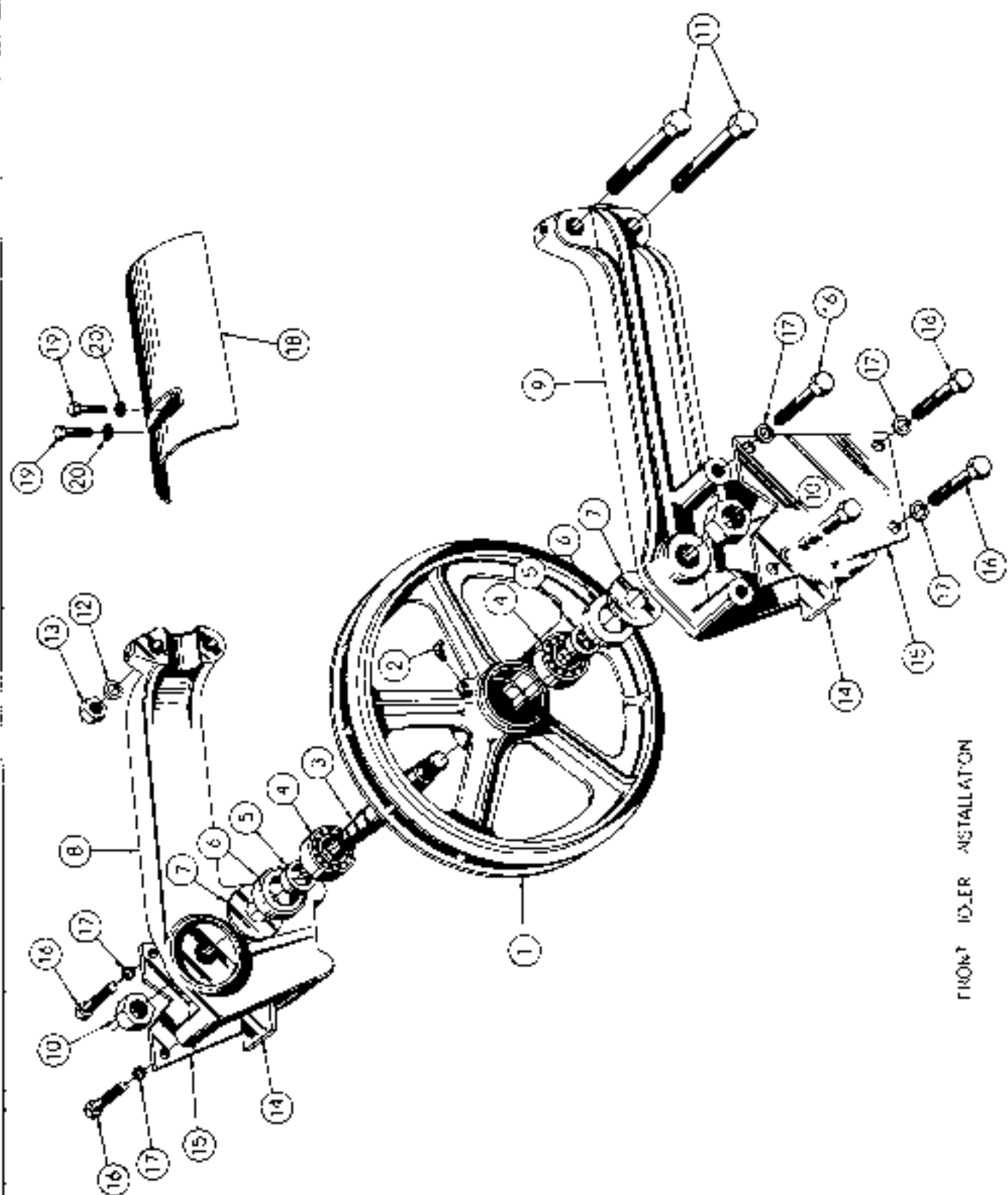
<u>REF.</u>	<u>PART NO.</u>	<u>DESCRIPTION</u>	<u>REQ'D.</u>
1	32032	ROLLER ASS'Y, - track.....	8
2	32076	HUB ASS'Y, - track roller.....	1
3	32056	SHAFT - track roller.....	1
4	VT2893	BEARING - ball.....	2
5	40633	SEAL - oil.....	2
6	32051	SPACER - track roller.....	2
7	30704	SHIELD - track roller.....	2
8	119-1	FITTING - straight grease, 1/8 NF.....(49200) ..	1
9	32055	BOX - track roller.....	8
10	14-624	NUTS - 1/2-20 NF x 1 1/2.....(4570B) ..	32
11	92-8	WASHER - med. sec. lock.....(4844B) ..	32
12	33830	BOX - track roller.....	8



TRACK FRAME INSTALLATION PART III
SUPPORT IDLER PARTS GROUP

TRACK SUPPORT IDLER INSTALLATION

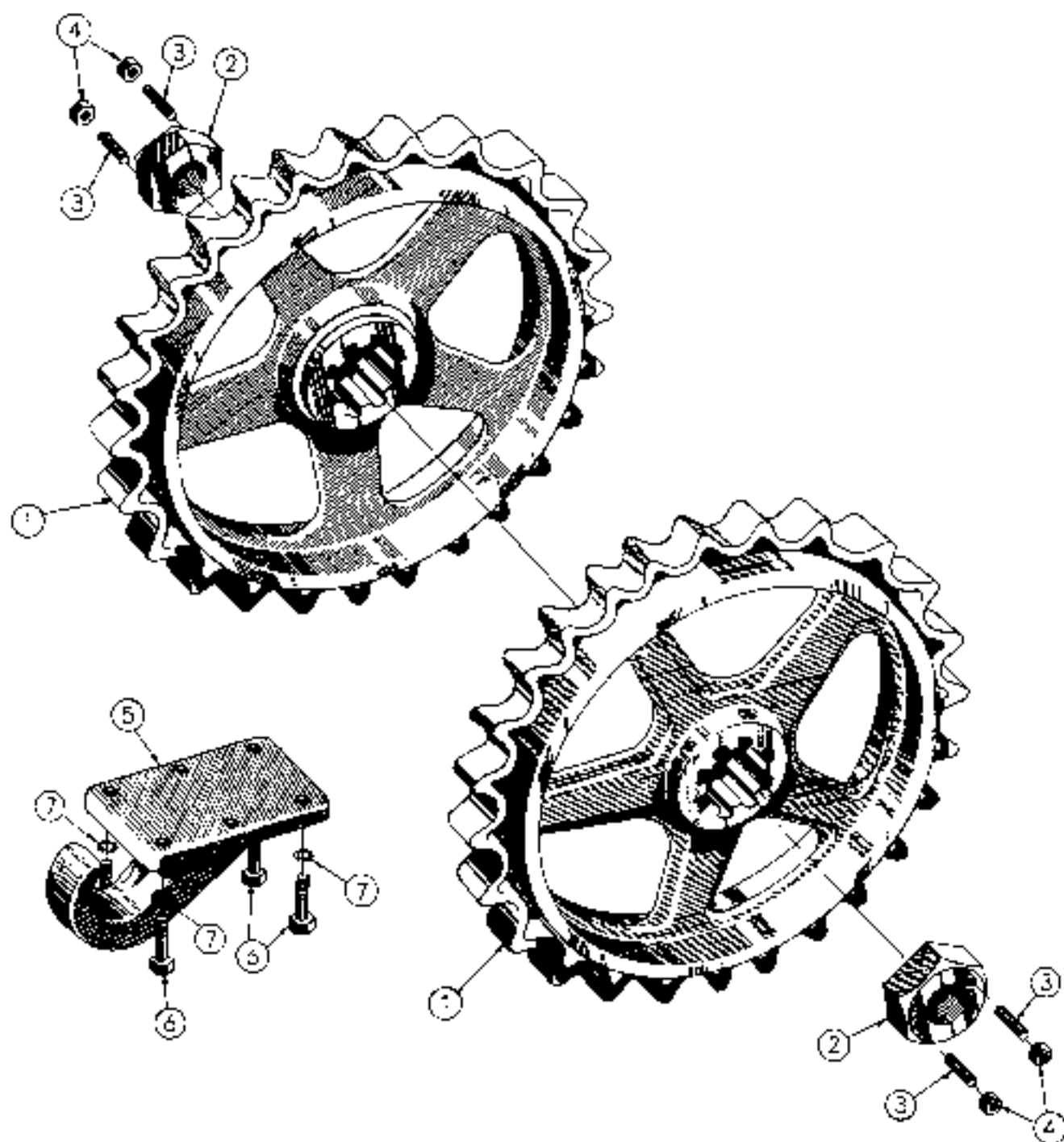
<u>REF.</u>	<u>PART NO.</u>	<u>DESCRIPTION</u>	<u>REQ'D.</u>
	31987	IDLER ASS'Y. - track support.....	2
1	31163	HUB ASS'Y. - support idler.....	1
2	30707	SHAFT - support idler.....	1
3	VT2B93	BEARING - ball.....	2
4	40633	SEAL - oil.....	2
5	32051	SPACER - support idler.....	2
6	30704	SHIELD - support idler.....	2
7	131-300	NUT - lock (1"-14 NF).....(17585) ..	1
8	219-1	FITTING - straight grease, 1/8 NF.....(49200) ..	1
9	60768	BRACKET - support idler.....	2
10	14-1028	HRCS - 5/8-18 NF x 1 3/4 (60768 mt'g.).....(45759) ..	4
11	92-10	WASHER - med. sec. lock.....(48450) ..	4



FRONT IDLER INSTALLATION

FRONT IDLER INSTALLATION

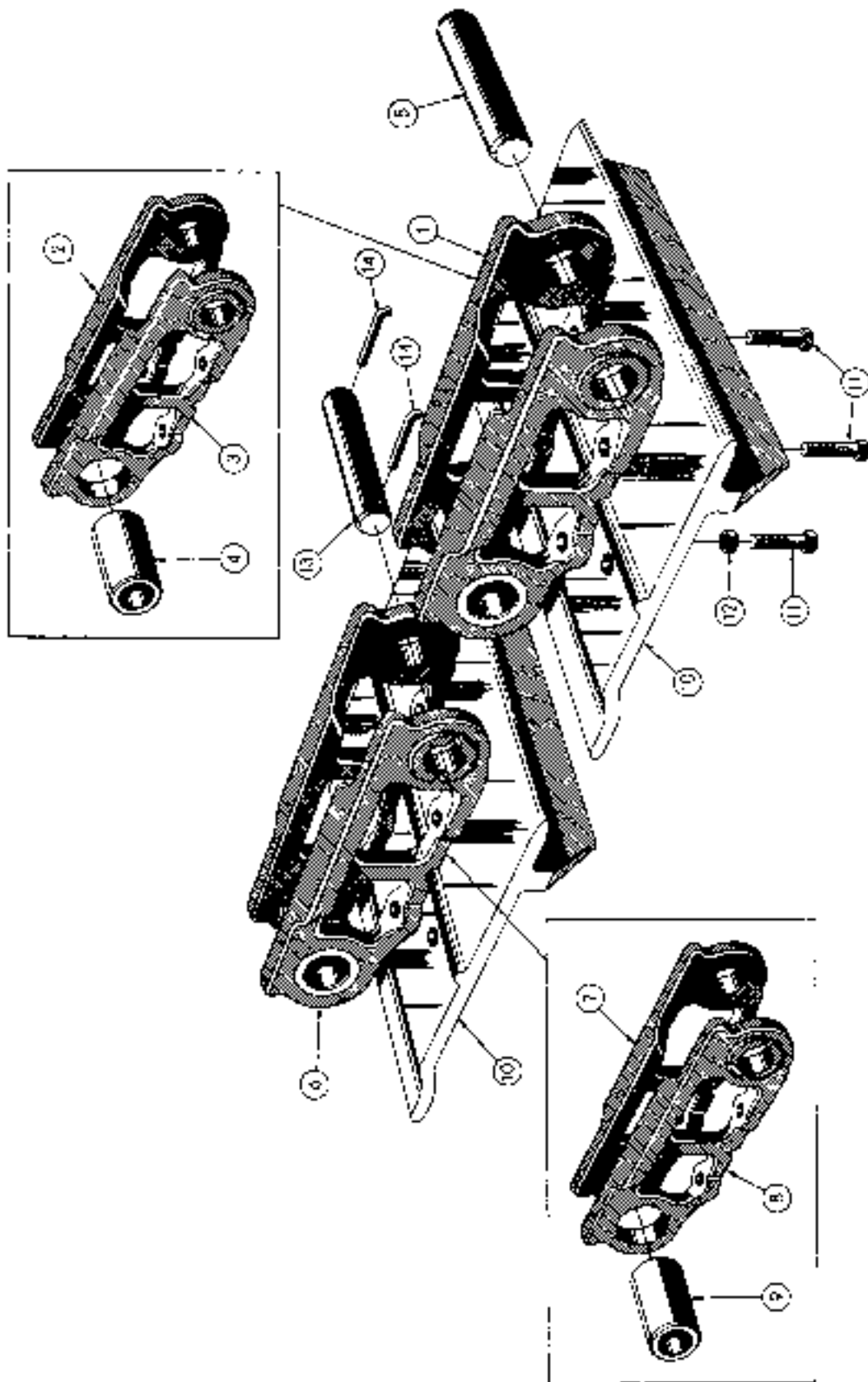
<u>REF.</u>	<u>PART NO.</u>	<u>DESCRIPTION</u>	<u>REQ'D.</u>
1	32060	WHEEL - idler.....	2
2	219-49	FITTING - grease, 67 1/2°, 1/4 NF..... (49232) ..	2
3	32066	SHAFT.....	2
4	VT2853	BEARING - ball.....	4
5	32051	SPACER.....	4
6	40633	SEAL - oil.....	4
7	30704	SHIELD.....	4
8	31794	BRACKET - idler wheel, R.H.....	2
9	31795	BRACKET - idler wheel, L.H.....	2
10	131-300	NUT - lock (1"-14 NF)..... (17585) ..	4
11	14-1060	HHCS - 5/8-18 NF x 3 3/4 (31794 to 31795)..... (45767) ..	4
12	92-10	WASHER - med. sec. lock..... (49450) ..	4
13	25-1110	NUT - reg. 5F hex (5/8-18 NF)..... (49106) ..	4
14	31797	PLATE - wear.....	4
15	31796	PLATE - box.....	4
16	14-824	HHCS - 1/2-20 NF x 1 1/2 (31796 mt'g.)..... (45708) ..	6
17	92-B	WASHER - med. sec. lock..... (48448) ..	16
18	32074	SHIELD - sliding.....	2
19	14-6B	HHCS - 1/8-24 NF x 1/2 (32074 mt'g.)..... (45652) ..	4
20	92-C	WASHER - med. sec. lock..... (48446) ..	4



SPROCKET & PULL HOOK INSTALLATION

SPROCKET & PULL HOOK INSTALLATION

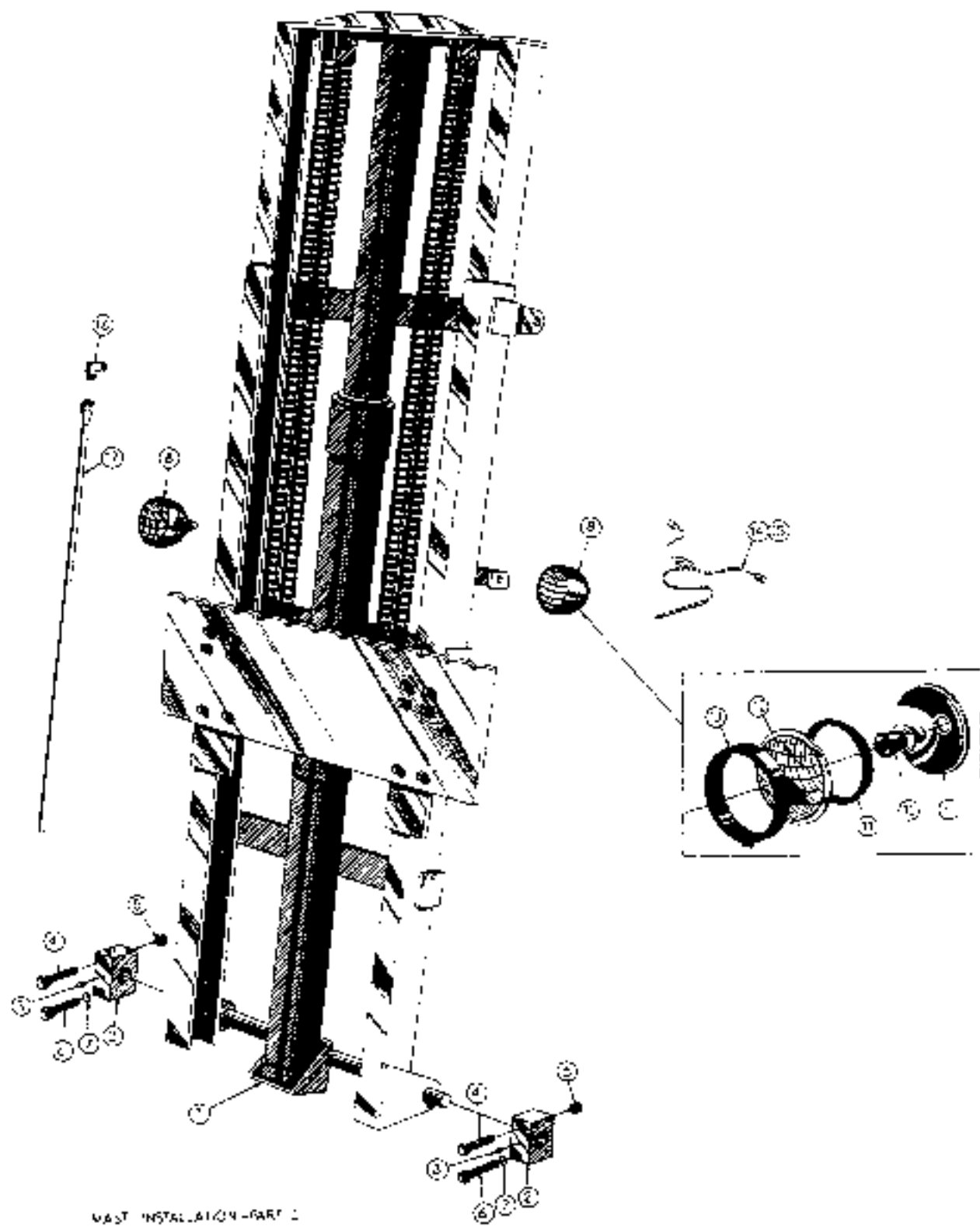
<u>REF.</u>	<u>PART NO.</u>	<u>DESCRIPTION</u>	<u>REQ'D.</u>
1	60786	SPROCKET - final drive.....	2
2	11851	NUT - lock.....	2
3	83-616	SCREW - set, 3/8-16 NC x 1".....(47301)..	4
4	25-106	NUT - reg, 5F hex (3/8-16 NC).....(47802)..	4
5	10940	HOOK - pull.....	1
6	13-820	HCBS - 1/2-13 NC x 1 1/4 (10940 mt'g.).....(45107)..	4
7	92-8	WASHER - mod, sec. lock.....(48448)..	4



TRACK CHAIN INSTALLATION

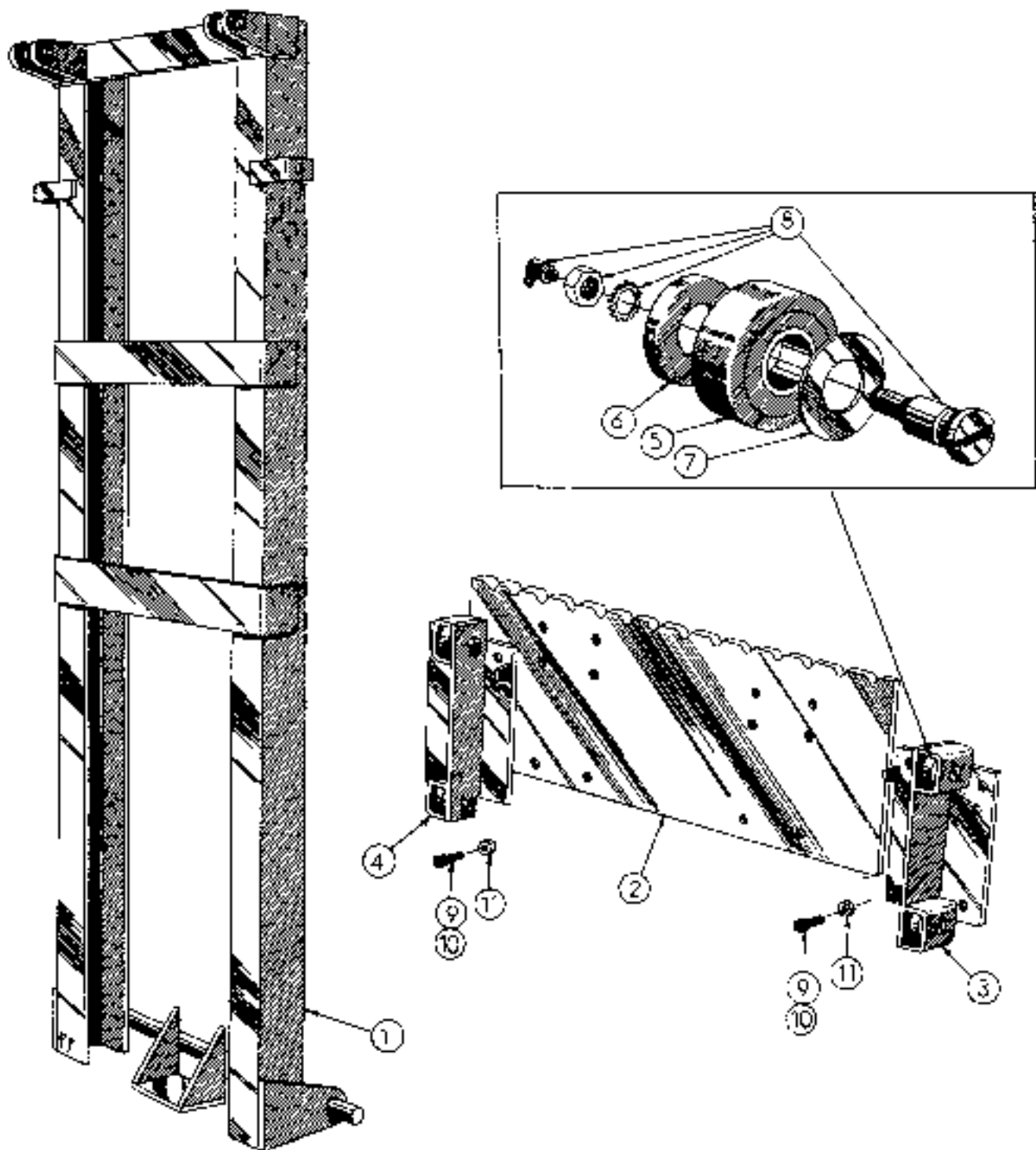
TRACK CHAIN INSTALLATION

<u>REF.</u>	<u>PART NO.</u>	<u>DESCRIPTION</u>	<u>REQ'd.</u>
1	34589	UNIT ASS'Y, - track chain.....	58
2	30638	LINK - track, R.H.....	1
3	30639	LINK - track, L.H.....	1
4	32830	BUSHING - track.....	1
5	32831	PIN - track.....	58
6	34571	UNIT ASS'Y, - track chain master.....	4
7	33285	LINK - track master, R.H.....	1
8	33286	LINK - track master, L.H.....	1
9	32830	BUSHING - track.....	1
10	32881	GROUSER - track, 12".....	62
11	46944	HICS - special (32881 mt'g.).....	248
12	48092	NUT - lock.....	248
13	32994	PIN - track master.....	4
14	32995	LOCK - track master pin.....	8



MAST INSTALLATION - PART I

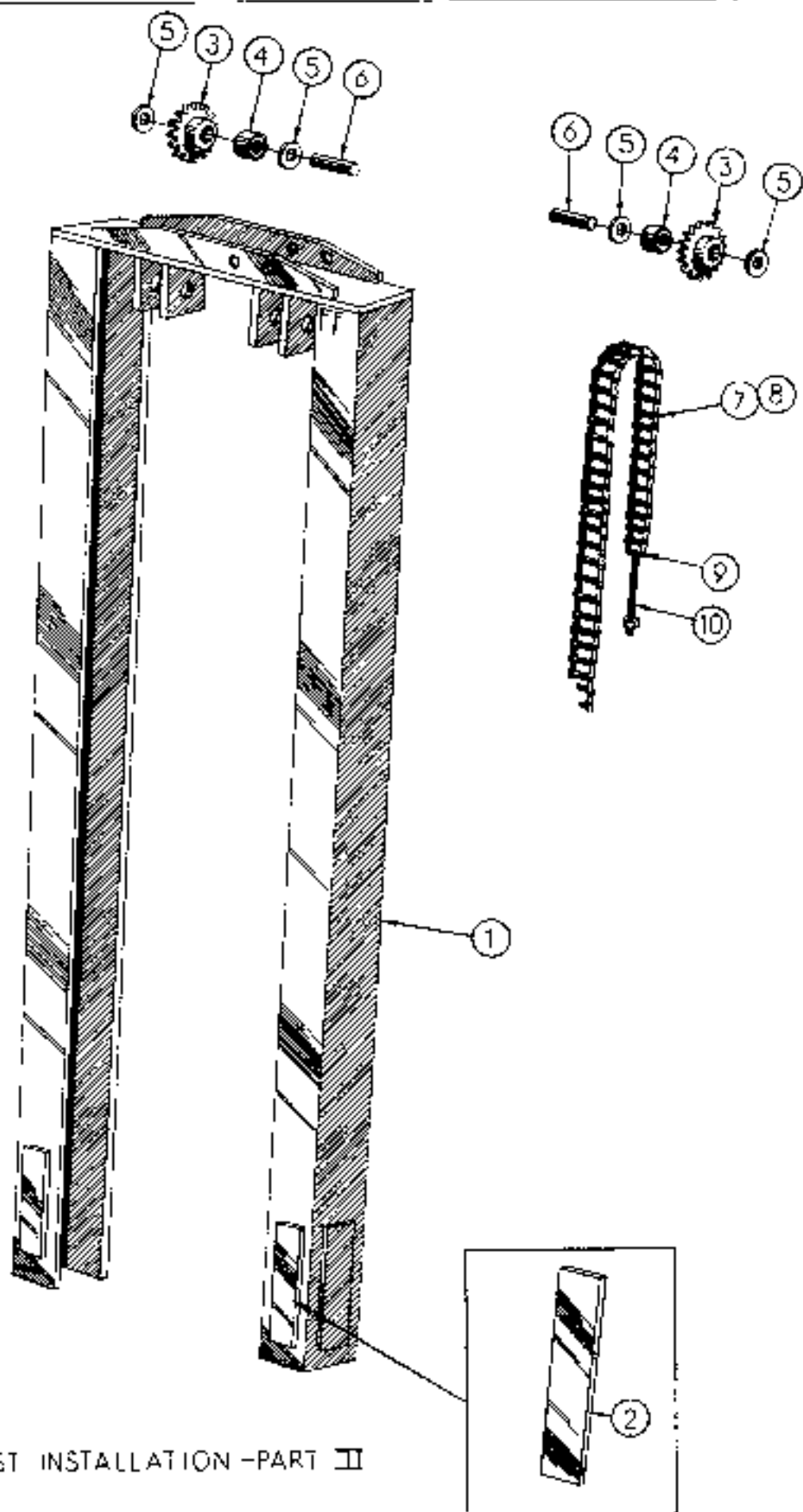
<u>REF.</u>	<u>PART NO.</u>	<u>DESCRIPTION</u>	<u>REQ'D.</u>
1	60879	MAST ASS'Y, - complete, 9 ft.....	1
	60880	MAST ASS'Y, - complete, 12 ft, 6 in. (optional to 60879).....	1
	60882	MAST ASS'Y, - complete, 14 ft, 3 in. (optional to 60879).....	1
	60883	MAST ASS'Y, - complete, 16 ft, (optional to 60879).....	1
2	16045	BLOCK - trunnion.....	2
3	219-1	FITTING - straight grease, 1/8 NF.....(49200) ..	2
4	14-1280	HHCS - 3/4-16 NF x 5 (16045 mt'g.).....(45795) ..	2
5	11935	NUT - lock (3/4-16 NF).....	2
6	14-1264	HHCS - 3/4-16 NF x 4 (16045 mt'g.).....(45793) ..	2
7	92-12	WASHER - med. sec. lock.....(48452) ..	2
8	10890	LIGHT ASS'Y, - head.....	2
9	10893	REFLECTOR - lamp.....	1
10	30891	BULB - lamp.....	1
11	10894	GASKET - lamp.....	1
12	10895	LENS - lamp.....	1
13	10596	MOULDING ASS'Y, - lamp.....	1
14	D20408	WIRING ASS'Y, - head light.....	1
15	32395	BULLET - wiring.....	2
16	218-1031	ELBOW - 90° male.....	1
17	35666	TUBE ASS'Y, - 9 ft. mast.....	1
	36667	TUBE ASS'Y, - 12 ft, 6 in. mast.....	1
	35668	TUBE ASS'Y, - 14 ft, 3 in. mast.....	1
	35669	TUBE ASS'Y, - 16 ft. mast.....	1



MAST INSTALLATION - PART II

MAST INSTALLATION - PART II

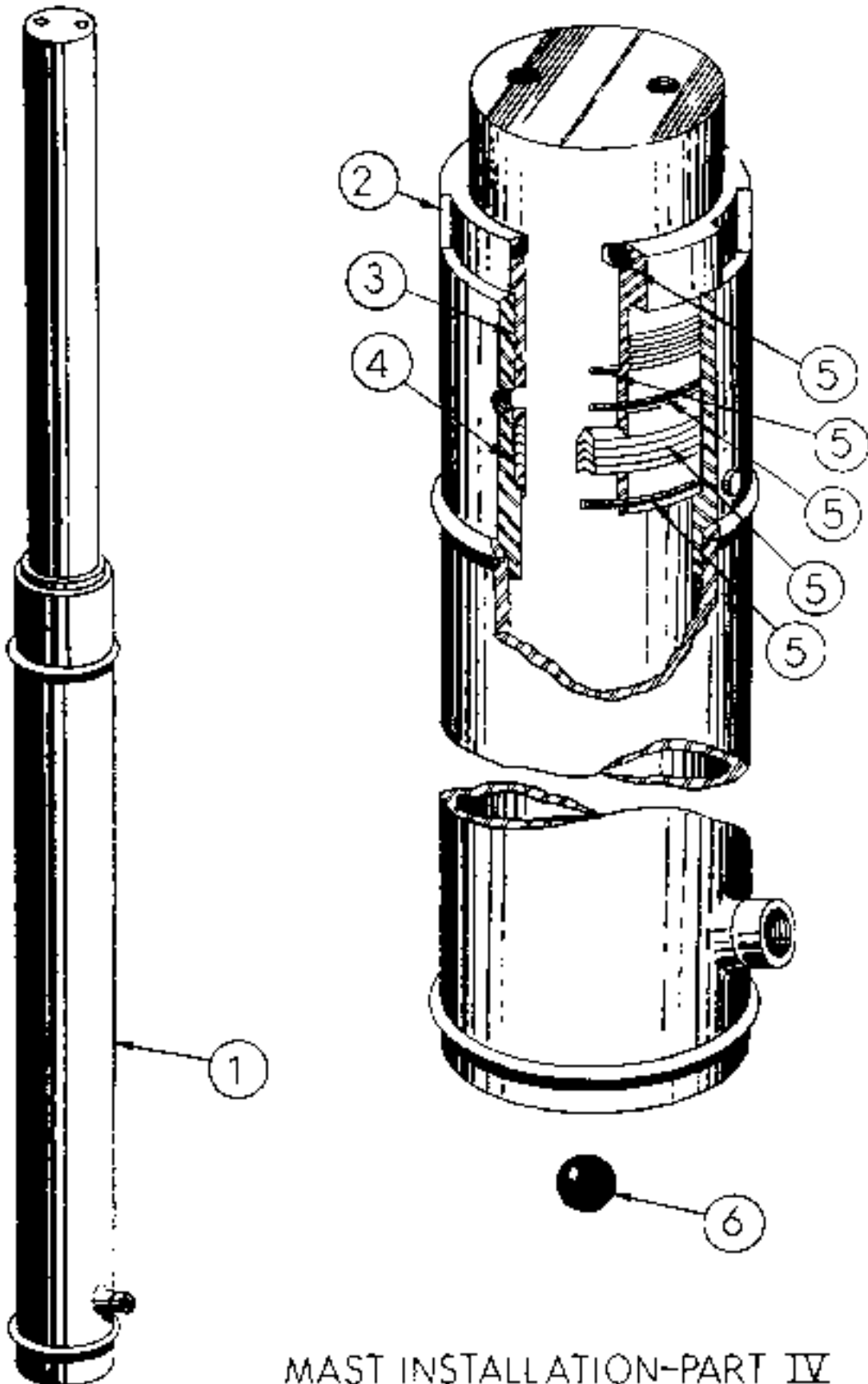
REF.	PART NO.	DESCRIPTION	REQ'D.
	60879	MAST INSTALLATION - complete (cont'd.)	1
1	60949	CHANNEL ASS'Y. - outer	1
2	60945	PLATE - backing, fork	1
3	60940	CARRIAGE ASS'Y. - R.H.	1
4	60941	CARRIAGE ASS'Y. - L.H.	1
5	60915	ROLLER ASS'Y. - load	2
6	60916	WASHER - spacer, load roller	2
7	60917	WASHER - thrust, load roller	2
8	60914	AXLE ASS'Y. - load roller	2
9	47319	SCREW - allen head, 1/2-13 NC x 1 1/4 (60945 mt'g.)	6
10	47320	SCREW - allen head, 1/2-13 NC x 1 3/4 (60945 mt'g.)	6
11	25-148	NUT - hex jam (1/2-13 NC) (47894)	10
	60880	MAST INSTALLATION - complete (cont'd.) (optional to 60879)	1
1	60950	CHANNEL ASS'Y. - outer	1
2	60945	PLATE - backing, fork	1
3	60940	CARRIAGE ASS'Y. - R.H.	1
4	60941	CARRIAGE ASS'Y. - L.H.	1
5	60915	ROLLER ASS'Y. - load	2
6	60916	WASHER - spacer, load roller	2
7	60917	WASHER - thrust, load roller	2
8	60914	AXLE ASS'Y. - load roller	2
9	47319	SCREW - allen head, 1/2-13 NC x 1 1/4 (60945 mt'g.)	6
10	47320	SCREW - allen head, 1/2-13 NC x 1 3/4 (60945 mt'g.)	6
11	25-148	NUT - hex jam (1/2-13 NC) (47894)	10
	60882	MAST INSTALLATION - complete (cont'd.) (optional to 60879)	1
1	60951	CHANNEL ASS'Y. - outer	1
2	60945	PLATE - backing, fork	1
3	60940	CARRIAGE ASS'Y. - R.H.	1
4	60941	CARRIAGE ASS'Y. - L.H.	1
5	60915	ROLLER ASS'Y. - load	2
6	60916	WASHER - spacer, load roller	2
7	60917	WASHER - thrust, load roller	2
8	60914	AXLE ASS'Y. - load roller	2
9	47319	SCREW - allen head, 1/2-13 NC x 1 1/4 (60945 mt'g.)	6
10	47320	SCREW - allen head, 1/2-13 NC x 1 3/4 (60945 mt'g.)	6
11	25-148	NUT - hex jam (1/2-13 NC) (47894)	10
	60883	MAST INSTALLATION - complete (cont'd.) (optional to 60879)	1
1	60952	CHANNEL ASS'Y. - outer	1
2	60945	PLATE - backing, fork	1
3	60940	CARRIAGE ASS'Y. - R.H.	1
4	60941	CARRIAGE ASS'Y. - L.H.	1
5	60915	ROLLER ASS'Y. - load	2
6	60916	WASHER - spacer, load roller	2
7	60917	WASHER - thrust, load roller	2
8	60914	AXLE ASS'Y. - load roller	2
9	47319	SCREW - allen head, 1/2-13 NC x 1 1/4 (60945 mt'g.)	6
10	47320	SCREW - allen head, 1/2-13 NC x 1 3/4 (60945 mt'g.)	6
11	25-148	NUT - hex jam (1/2-13 NC) (47894)	10



MAST INSTALLATION -PART II

MAST INSTALLATION - PART III

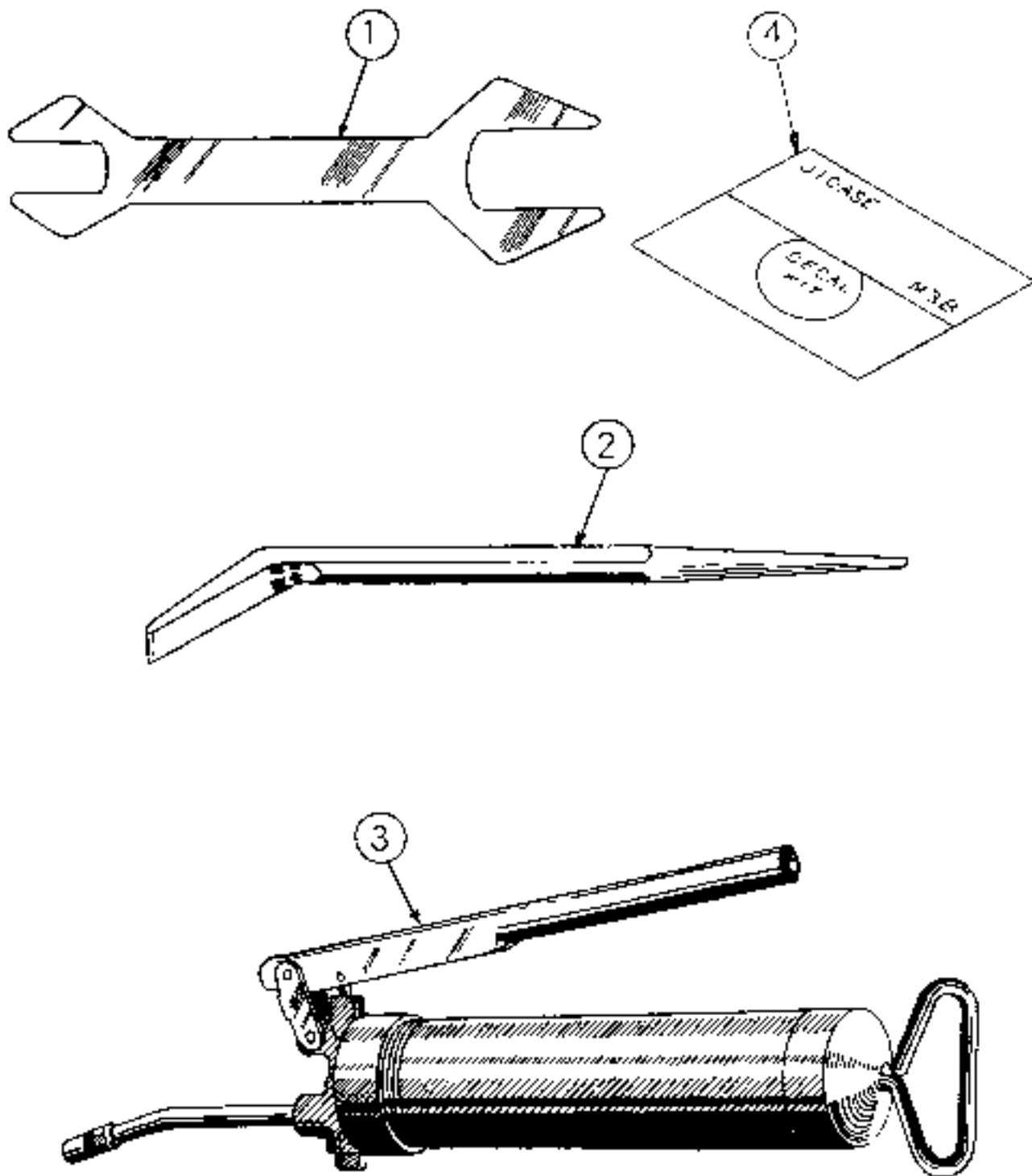
<u>REP.</u>	<u>PART NO.</u>	<u>DESCRIPTION</u>	<u>REQ'D.</u>
	60879	MAST ASS'Y. - complete (cont'd.).....	1
1	60956	CHANNEL ASS'Y. - inner.....	1
2	60972	STRIP - wear, bronze.....	6
3	60942	SPROCKET - mast chain.....	2
4	60943	BEARING ASS'Y. - sprocket.....	2
5	60944	WASHER - thrust, sprocket.....	4
6	60939	PIN - sprocket.....	2
7	60946-86	CHAIN ASS'Y. - lift.....	2
8	60946	LINK - chain.....	86
9	60947	LINK - connector, chain.....	1
10	60948	BOLT - eye, chain anchor.....	1
	60880	MAST ASS'Y. - complete (cont'd.) (optional to 60879).....	1
1	60957	CHANNEL ASS'Y. - inner.....	1
2	60972	STRIP - wear, bronze.....	6
3	60942	SPROCKET - mast chain.....	2
4	60943	BEARING ASS'Y. - sprocket.....	2
5	60944	WASHER - thrust, sprocket.....	4
6	60939	PIN - sprocket.....	2
7	60946-100	CHAIN ASS'Y. - lift.....	2
8	60946	LINK - chain.....	100
9	60947	LINK - connector, chain.....	1
10	60948	BOLT - eye, chain anchor.....	1
	60882	MAST ASS'Y. - complete (cont'd.) (optional to 60879).....	1
1	60958	CHANNEL ASS'Y. - inner.....	1
2	60972	STRIP - wear, bronze.....	6
3	60942	SPROCKET - mast chain.....	2
4	60943	BEARING ASS'Y. - sprocket.....	2
5	60944	WASHER - thrust, sprocket.....	4
6	60939	PIN - sprocket.....	2
7	60946-120	CHAIN ASS'Y. - lift.....	2
8	60946	LINK - chain.....	120
9	60947	LINK - connector, chain.....	1
10	60948	BOLT - eye, chain anchor.....	1
	60883	MAST ASS'Y. - complete (cont'd.) (optional to 60879).....	1
1	60959	CHANNEL ASS'Y. - inner.....	1
2	60972	STRIP - wear, bronze.....	6
3	60942	SPROCKET - mast chain.....	2
4	60943	BEARING ASS'Y. - sprocket.....	2
5	60944	WASHER - thrust, sprocket.....	4
6	60939	PIN - sprocket.....	2
7	60946-120	CHAIN ASS'Y. - lift.....	2
8	60946	LINK - chain.....	120
9	60947	LINK - connector, chain.....	1
10	60948	BOLT - eye, chain anchor.....	1



MAST INSTALLATION-PART IV

MAST INSTALLATION - PART IV

<u>REF.</u>	<u>PART NO.</u>	<u>DESCRIPTION</u>	<u>REQ'D.</u>
	60879	MAST INSTALLATION - complete (cont'd.)	1
1	60967	CYLINDER ASS'Y, - lift	1
2	60955	NUT - packing, mast cylinder	1
3	60953	SLEEVE - upper	1
4	60954	SLEEVE - lower	1
5	6010	KIT - packing	1
6	60960	BALL - 5/8 dia.	1
	60880	MAST INSTALLATION - complete (cont'd.) (optional to 70879)	1
1	60968	CYLINDER ASS'Y, - lift	1
2	60955	NUT - packing, mast cylinder	1
3	60953	SLEEVE - upper	1
4	60954	SLEEVE - lower	1
5	6010	KIT - packing	1
6	60960	BALL - 5/8 dia.	1
	60882	MAST INSTALLATION - complete (cont'd.) (optional to 60879)	1
1	60969	CYLINDER ASS'Y, - lift	1
2	60955	NUT - packing mast cylinder	1
3	60953	SLEEVE - upper	1
4	60954	SLEEVE - lower	1
5	6010	KIT - packing	1
6	60960	BALL - 5/8 dia.	1
	60883	MAST INSTALLATION - complete (cont'd.) (optional to 60879)	1
1	60970	CYLINDER ASS'Y, - lift	1
2	60955	NUT - packing, mast cylinder	1
3	60953	SLEEVE - upper	1
4	60954	SLEEVE - lower	1
5	6010	KIT - packing	1
6	60960	BALL - 5/8 dia.	1



TOOLS & EQUIPMENT

TOOLS & EQUIPMENT

<u>REP.</u>	<u>PART NO.</u>	<u>DESCRIPTION</u>	<u>REQ'D.</u>
1	13756	WRENCH - end.....	1
2	13757	BAR - pinch.....	1
3	13759	GUN - grease.....	1
4	R2079	KIT - deci.....	1

OPTIONAL EQUIPMENT

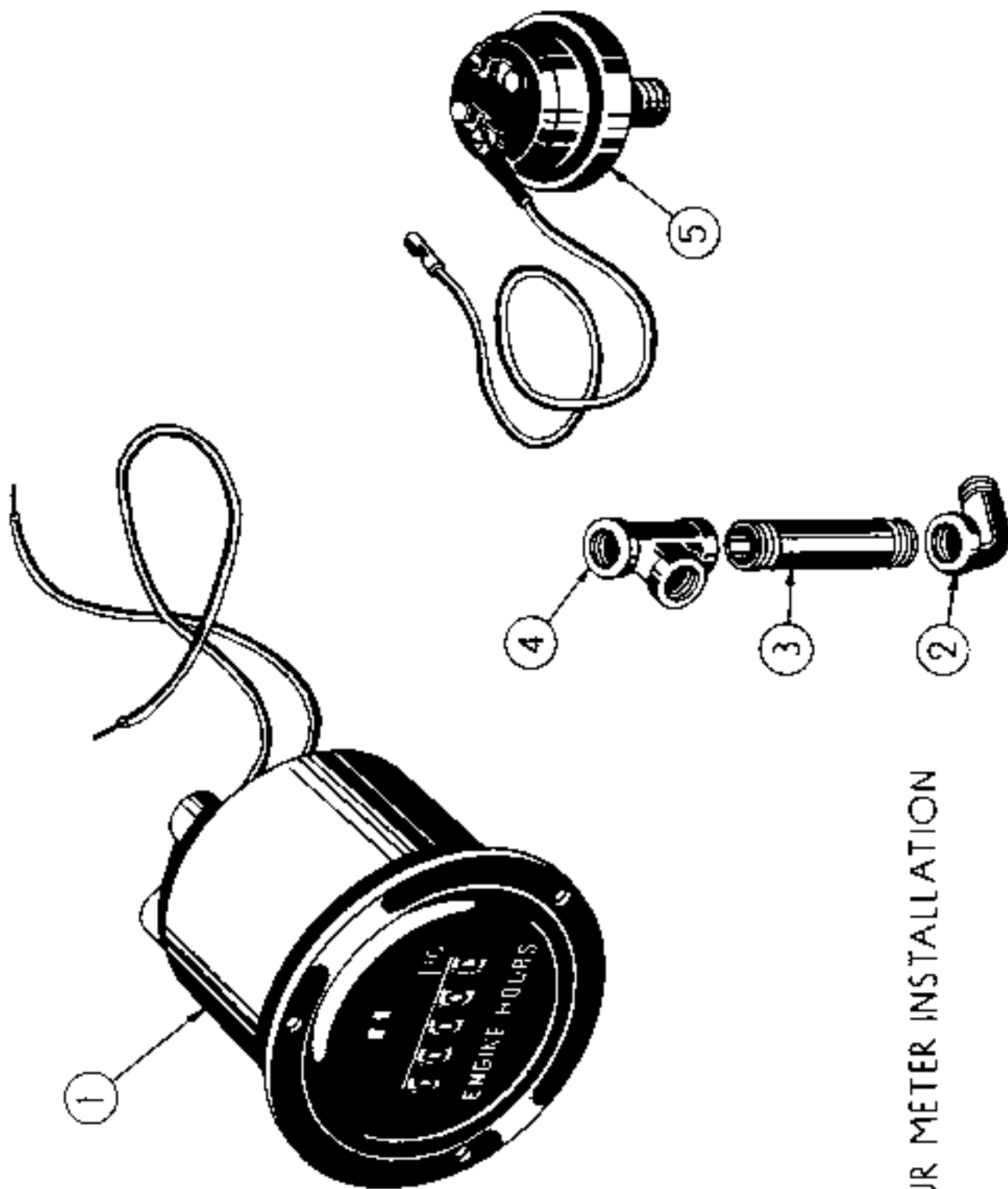
HOUR METER

ROCK GUARDS

GREASE GUN

CRANKCASE GUARD

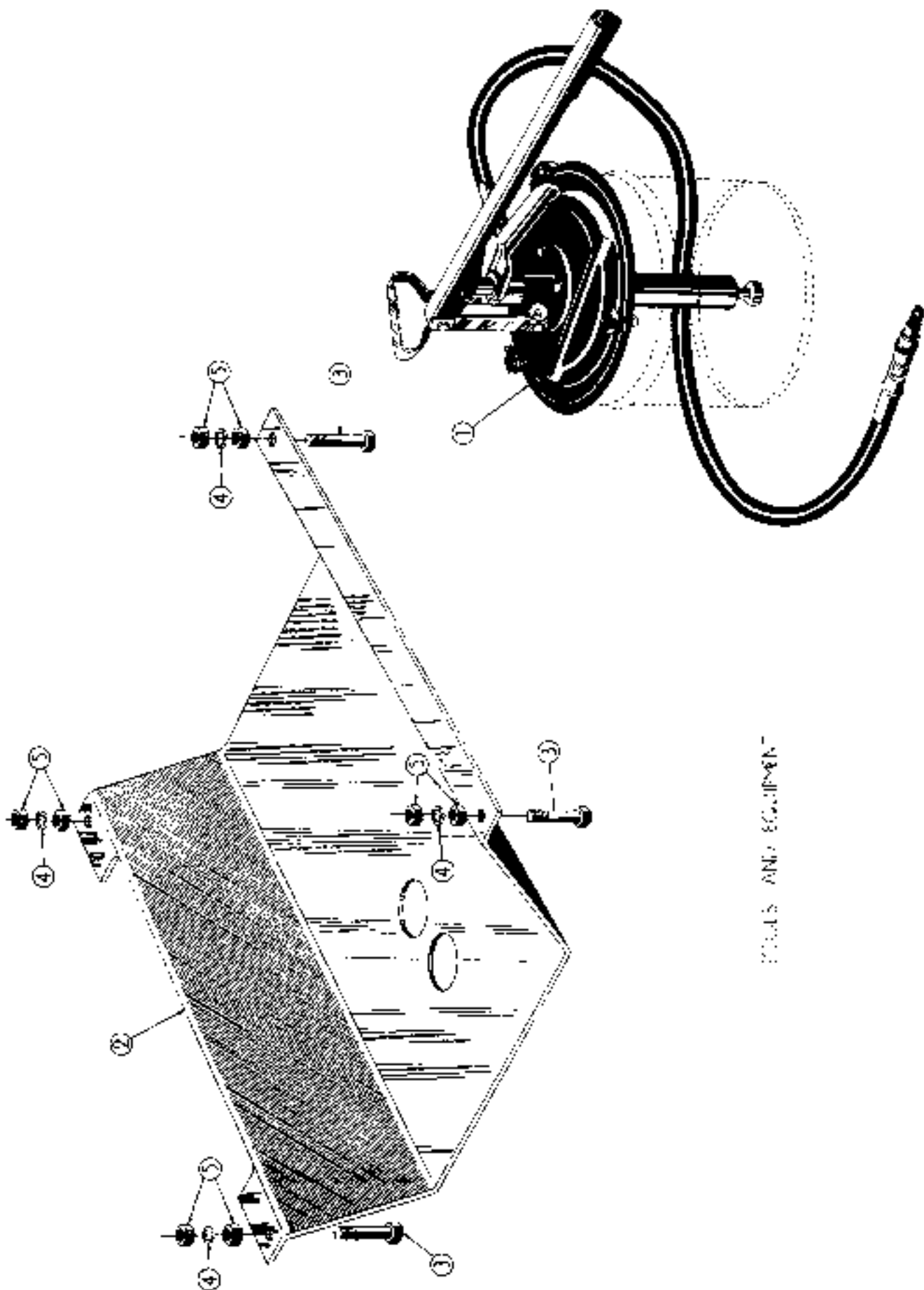
MAST FORKS



HOUR METER INSTALLATION

HOUR METER INSTALLATION

<u>REF.</u>	<u>PART NO.</u>	<u>DESCRIPTION</u>	<u>REQ'D.</u>
	6045	METER INSTALLATION - hour.....	1
1	33257	METER ASS'Y. - hour (6 volt).....	1
2	41670	ELBOW - 90° street, 1/8 NP.....	1
3	41415	NIPPLE - pipe, 1/8 NP x 1 1/2.....	1
4	41580	TEE - pipe, 1/8 NP.....	1
5	08179AB	SWITCH ASS'Y. - pressure.....	1
	32395	BULLET - wiring (not shown).....	1

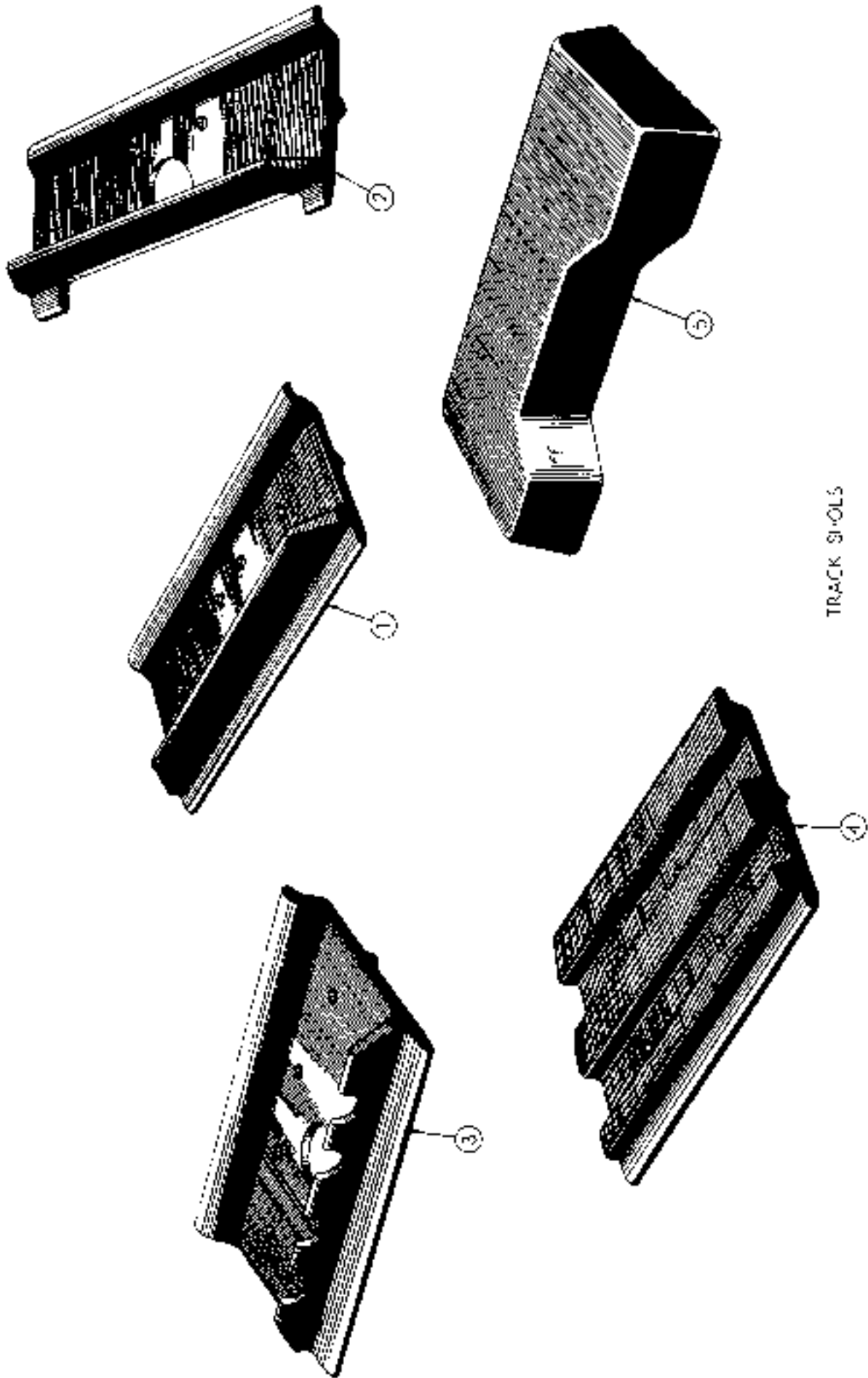


TOOLS AND EQUIPMENT

OPTIONAL EQUIPMENT

101

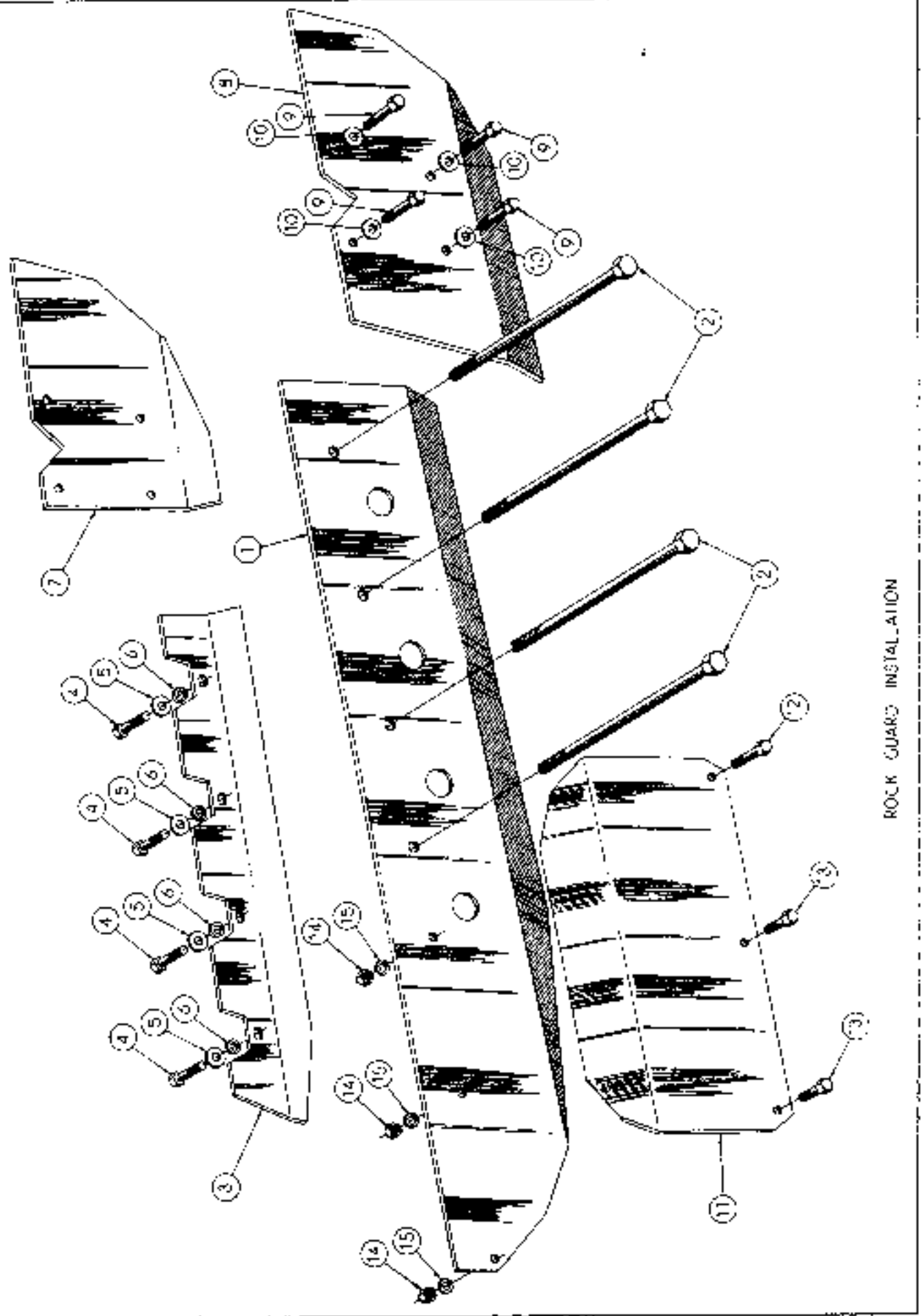
<u>REF.</u>	<u>PART NO.</u>	<u>DESCRIPTION</u>	<u>REQ'D.</u>
1	1375B	GUN - grease.....	1
	5710	GUARD INSTALLATION - crankcase.....	1
2	31294	GUARD - crankcase, rear.....	1
3	14-B24	HKCS - 1/2-20 NF x 1 1/2 (31294 mt'g.).....(45708) ..	4
4	52-8	WASHER - med. sec. lock.....(48448) ..	4
5	25-118	NUT - reg. SF hex (1/2-20 NF).....(48104) ..	8



TRACK SHOES

103

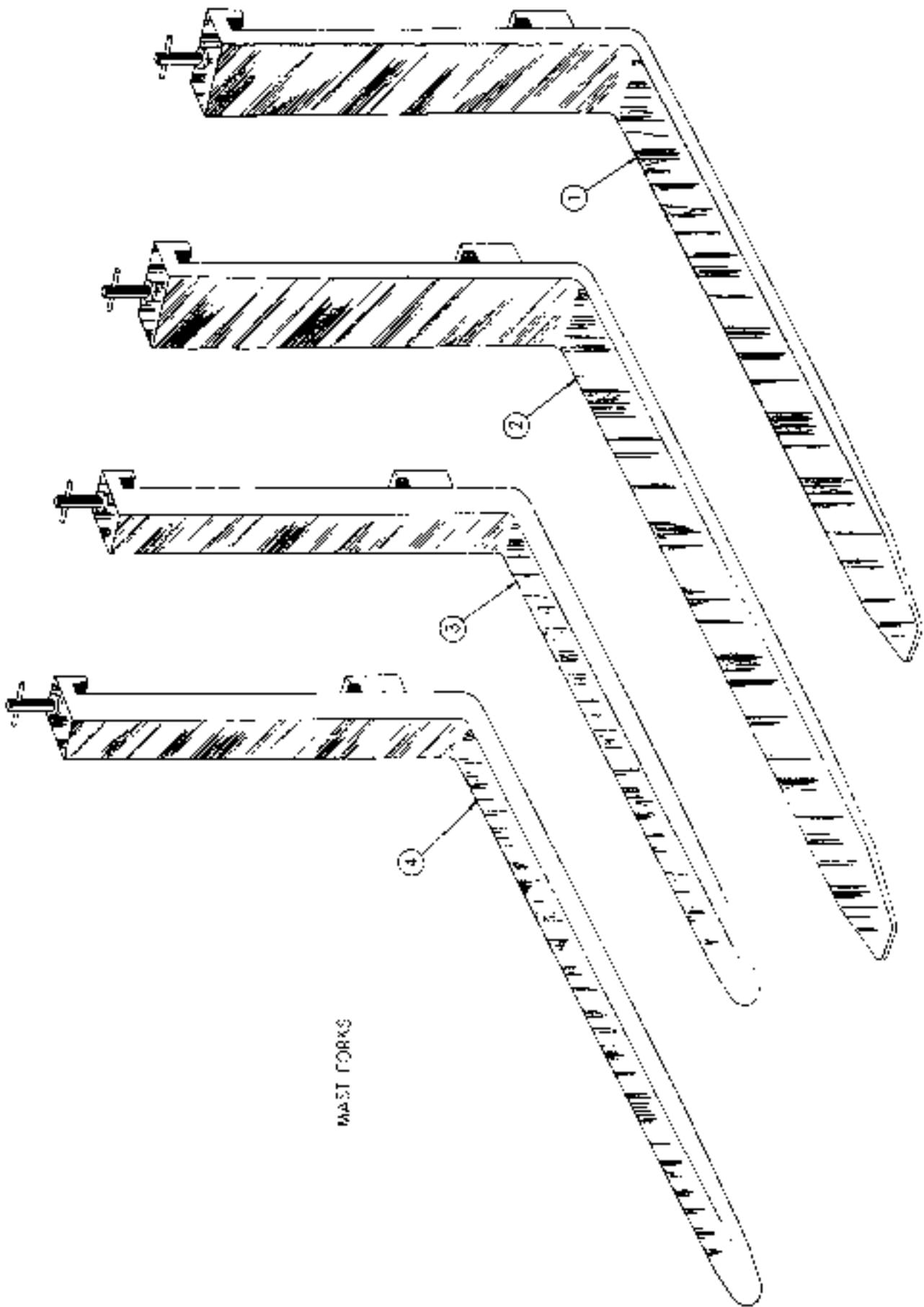
<u>REF.</u>	<u>PART NO.</u>	<u>DESCRIPTION</u>	<u>REQ'D.</u>	
1	32890	GROUSER PLATE - 10 inch.....	62	
	31894	GROUSER PLATE - 10 inch (heat treated).....	62	
	32849	GROUSER PLATE - 11 inch.....	62	
	31885	GROUSER PLATE - 11 inch (heat treated).....	62	
	32881	GROUSER PLATE - 12 inch.....	62	
	31886	GROUSER PLATE - 12 inch (heat treated).....	62	
	31887	GROUSER PLATE - 13 inch (heat treated).....	62	
	32882	GROUSER PLATE - 14 inch.....	62	
	31888	GROUSER PLATE - 14 inch (heat treated).....	62	
	32883	GROUSER PLATE - 16 inch.....	62	
	31889	GROUSER PLATE - 16 inch (heat treated).....	62	
	32998	GROUSER PLATE - 18 inch.....	62	
	32556	GROUSER PLATE - 18 inch (heat treated).....	62	
	32999	GROUSER PLATE - 20 inch.....	62	
	32557	GROUSER PLATE - 20 inch (heat treated).....	62	
	2	32981	OPEN GROUSER PLATE - 10 inch.....	62
		31891	OPEN GROUSER PLATE - 10 inch (heat treated).....	62
32982		OPEN GROUSER PLATE - 11 inch.....	62	
31892		OPEN GROUSER PLATE - 11 inch (heat treated).....	62	
32983		OPEN GROUSER PLATE - 12 inch.....	62	
31893		OPEN GROUSER PLATE - 12 inch (heat treated).....	62	
32984		OPEN GROUSER PLATE - 13 inch.....	62	
31894		OPEN GROUSER PLATE - 13 inch (heat treated).....	62	
32985		OPEN GROUSER PLATE - 14 inch.....	62	
31895		OPEN GROUSER PLATE - 14 inch (heat treated).....	62	
32986		OPEN GROUSER PLATE - 16 inch.....	62	
31896		OPEN GROUSER PLATE - 16 inch (heat treated).....	62	
32554		OPEN GROUSER PLATE - 18 inch (heat treated).....	62	
32555	OPEN GROUSER PLATE - 20 inch (heat treated).....	62		
3	32988	SNOW & ICE PLATE - 10 inch.....	62	
	32989	SNOW & ICE PLATE - 11 inch.....	62	
	32990	SNOW & ICE PLATE - 12 inch.....	62	
	32991	SNOW & ICE PLATE - 13 inch.....	62	
4	32977	STREET PLATE - 10 inch.....	62	
	31877	STREET PLATE - 10 inch (heat treated).....	62	
	32848	STREET PLATE - 11 inch.....	62	
	31878	STREET PLATE - 11 inch (heat treated).....	62	
	32913	STREET PLATE - 12 inch.....	62	
	31879	STREET PLATE - 12 inch (heat treated).....	62	
	32914	STREET PLATE - 13 inch.....	62	
	31880	STREET PLATE - 13 inch (heat treated).....	62	
	32915	STREET PLATE - 14 inch.....	62	
	31881	STREET PLATE - 14 inch (heat treated).....	62	
	32916	STREET PLATE - 16 inch.....	62	
	31882	STREET PLATE - 16 inch (heat treated).....	62	
32558	STREET PLATE - 18 inch (heat treated).....	62		
5	32838	SHOE - track, rubber.....	62	



ROCK GUARD INSTALLATION

ROCK GUARD INSTALLATION

<u>REF.</u>	<u>PART NO.</u>	<u>DESCRIPTION</u>	<u>REQ'D.</u>
	6123	ROCK GUARD INSTALLATION.....	1
1	33952	ROCK GUARD - outer, R.H.....	1
	33953	ROCK GUARD - outer, L.H.....	1
2	46495	HHMB - 3/4-16 NF x 11 5/8 (33952 & 33953 mt'g.).....	8
3	33950	ROCK GUARD - inner, R.H.....	1
	33951	ROCK GUARD - inner, L.H.....	1
4	14-824	INCS - 1/2-20 NF x 1 1/2 (33950 & 33951 mt'g.)..(45708)..	8
5	195-33	WASHER - plain.....(48428)..	8
6	92-8	WASHER - med. sec. lock.....(48448)..	8
7	33892	ROCK GUARD - inner, idler R.H.....	1
	33893	ROCK GUARD - inner, idler L.H.....	1
8	33890	ROCK GUARD - outer, idler R.H.....	1
	33891	ROCK GUARD - outer, idler L.H.....	1
9	14-832	HHCS - 1/2-20 NF x 2 (33890 & 33891 mt'g.).....(45710)..	8
10	195-33	WASHER - plain.....(48428)..	8
11	32296	PLATE - sprocket guard.....	2
12	14-828	HHCS - 1/2-20 NF x 1 3/4 (32296 mt'g.).....(45709)..	2
13	14-820	HHCS - 1/2-20 NF x 1 1/4 (32296 mt'g.).....(45707)..	4
14	25-118	NUT - reg. SF hex (1/2-20 NF).....(48104)..	6
15	92-8	WASHER - med. sec. lock.....(48448)..	6



MAST FORKS

<u>REF.</u>	<u>PART NO.</u>	<u>DESCRIPTION</u>	<u>REQ'D.</u>
1	60371	FORK ASS'Y, - lift, 36 inch.....	2
2	60372	FORK ASS'Y, - lift, 42 inch.....	2
3	60849	FORK ASS'Y, - cement block, 32 inch.....	3
4	60848	FORK ASS'Y, - cement block, 39 inch.....	2
	61032	FORK - cement block, 48 inch.....	2

ENGINE KITS

<u>PART NO.</u>	<u>DESCRIPTION</u>
R2006	GASKET SET - engine service
5953	BEARING KIT - crankshaft main
5951	BEARING KIT - connecting rod
R2074	RING KIT - piston (rebore)
5949	RING KIT - piston (2 in 1)
R2075	RING KIT - piston (standard bearing)
R2073	BUSHING KIT - camshaft
5990	TAPPET KIT - valve
5988	SEAT & LOCK KIT - valve
5986	SPRING KIT - valve
5992	GUIDE KIT - valve
5964	VALVE KIT - intake
6050	REPAIR KIT - water pump
5962	GASKET KIT - valve grind
R2087	GASKET KIT - oil pan
R2088	REPAIR KIT - oil pump

ALLIED EQUIPMENT

BUCKETS

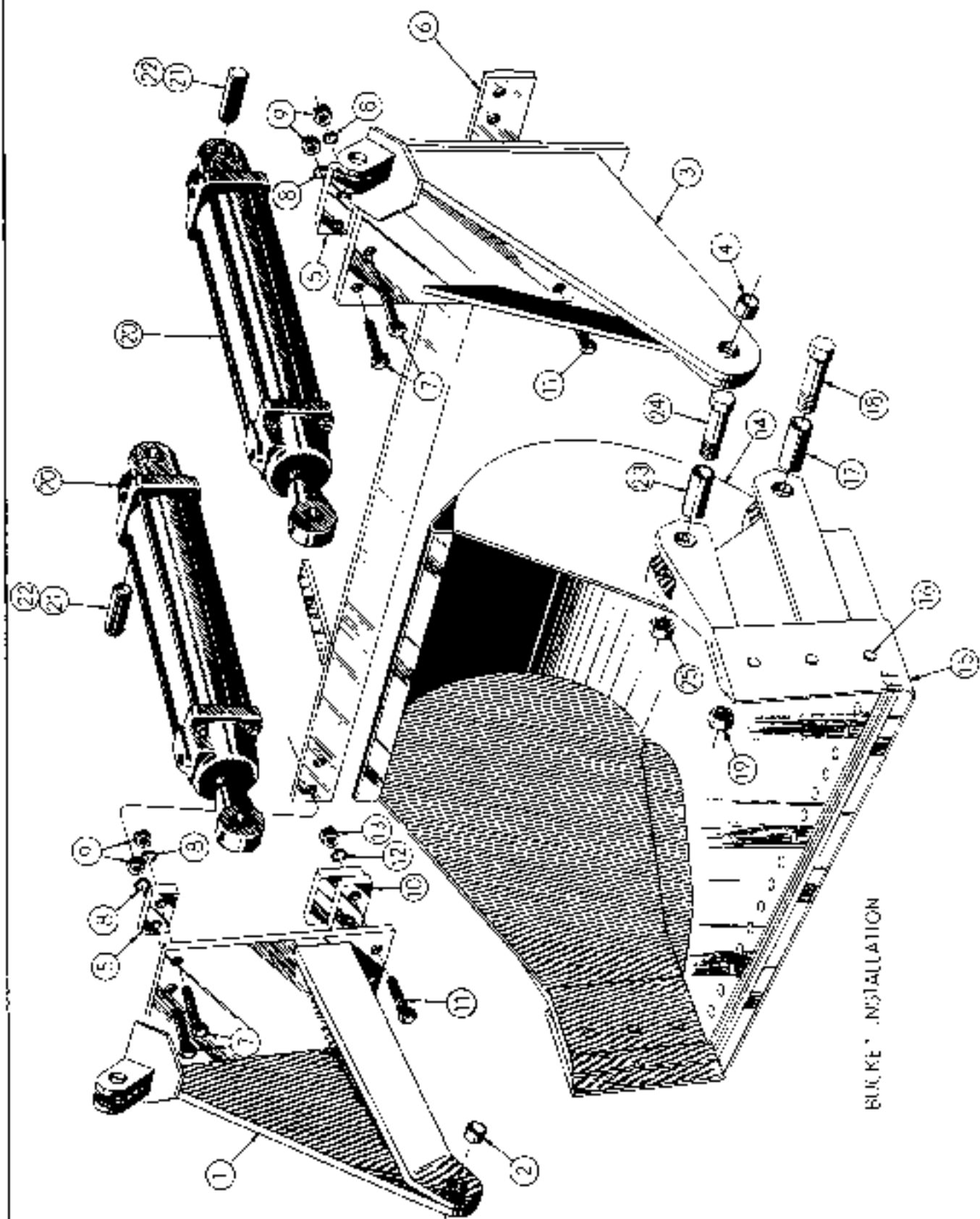
LOGGER

MAST EXTENSION

DOZER

CEMENT BUCKETS

LOAD CLAMP

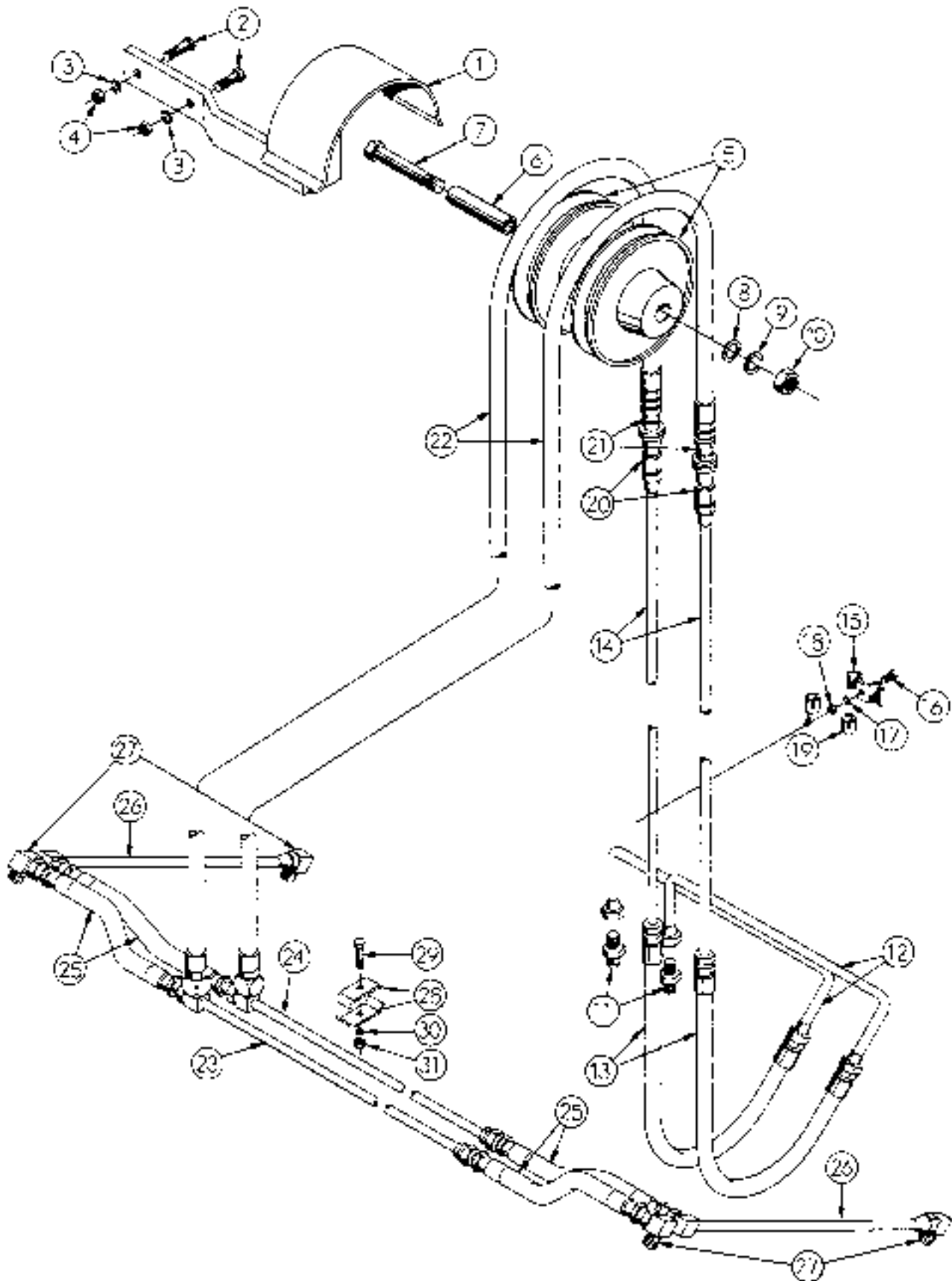


BUCKE" INSTALLATION

BUCKET INSTALLATION

111

<u>REF.</u>	<u>PART NO.</u>	<u>DESCRIPTION</u>	<u>REQ'D.</u>
1	R10867	ARM ASS'Y, - lift R.H.....	1
2	31149	BUSHING.....	1
3	R10868	ARM ASS'Y, - lift L.H.....	1
4	31149	BUSHING.....	1
5	60526	BLOCK - spacer.....	2
6	60991	PLATE ASS'Y, - stiffener.....	1
7	14-124B	NHCS - 3/4-16 NF x 3 (60526 & 60991 mt'g.).....(45789) ..	4
8	92-12	WASHER - med, sec, lock.....(48452) ..	4
9	25-1112	NUT - reg, SF hex (3/4-16 NF).....(48107) ..	4
10	61035	CLAMP ASS'Y.....	2
11	14-1240	NHCS - 3/4-16 NF x 2 1/2 (61035 mt'g.).....(45787) ..	4
12	92-12	WASHER - med, sec, lock.....(48452) ..	4
13	25-1112	NUT - reg, SF hex (3/4-16 NF).....(48107) ..	4
14	32650	BUCKET ASS'Y.....	1
15	30889	EDGE - cutting.....	1
16	46-826	RIVET - 1/2 dia, x 1 5/8.....(49821) ..	21
17	32599	PIN - (32650 mt'g.).....	2
18	14-864	NHCS - 1/2-20 NF x 4 (32599 mt'g.).....(45718) ..	2
19	131-156	NUT - lock (1/2-20 NF).....(17586) ..	2
20	33772	CYLINDER ASS'Y, - hydraulic (see page #131 for breakdown) ...	2
21	31715	PIN - (33772 mt'g.).....	2
22	132-152	PIN - cotter, 1/4 dia, x 1 3/4.....(48738) ..	4
23	32598	PIN - (33772 mt'g.).....	2
24	14-664	NHCS - 3/8-24 NF x 4 (32598 mt'g.).....(45668) ..	2
25	131-366	NUT - lock (3/8-24 NF).....(17606) ..	2

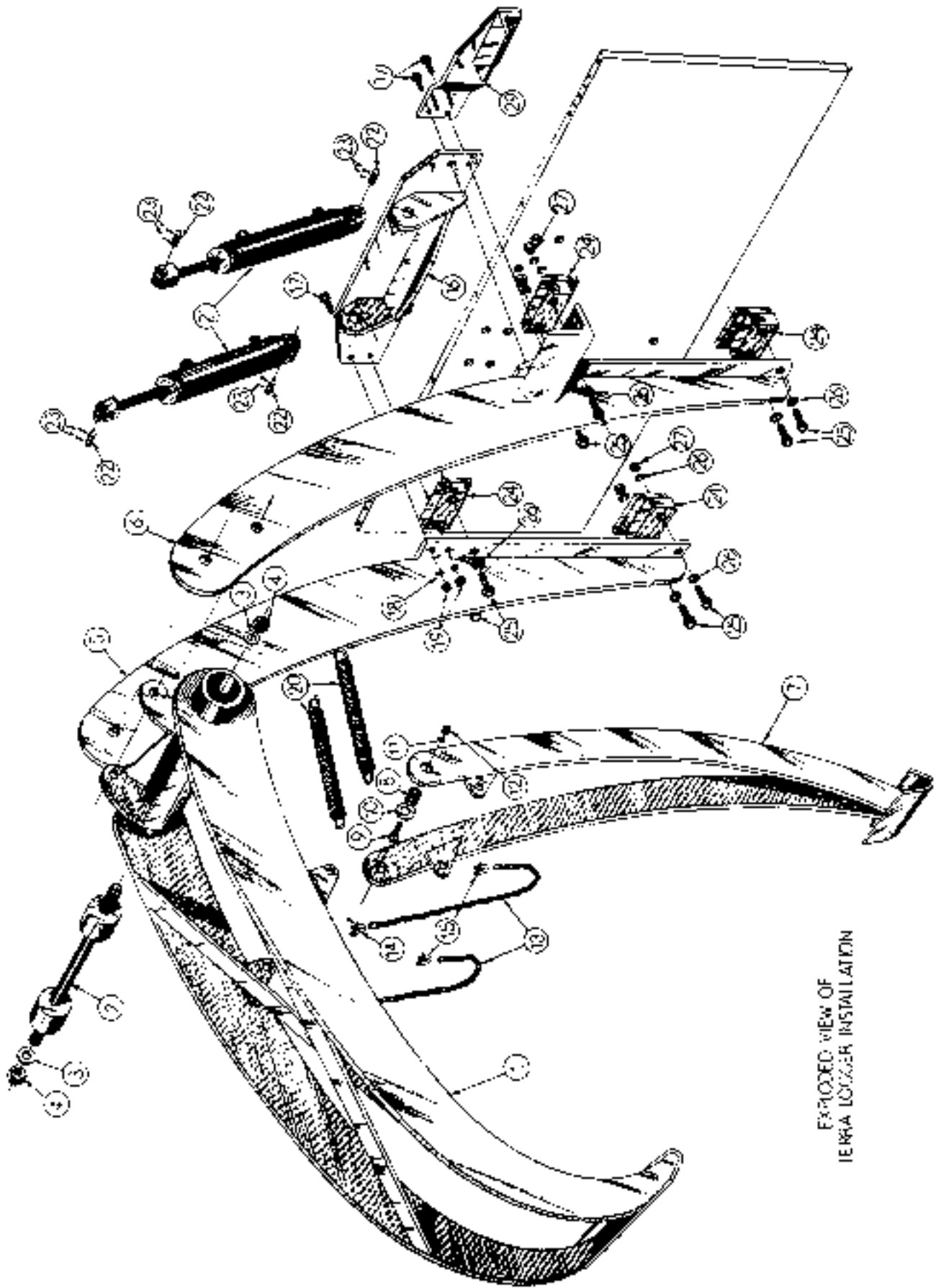


BUCKET HYDRAULIC SYSTEM.

BUCKET HYDRAULIC SYSTEM

113

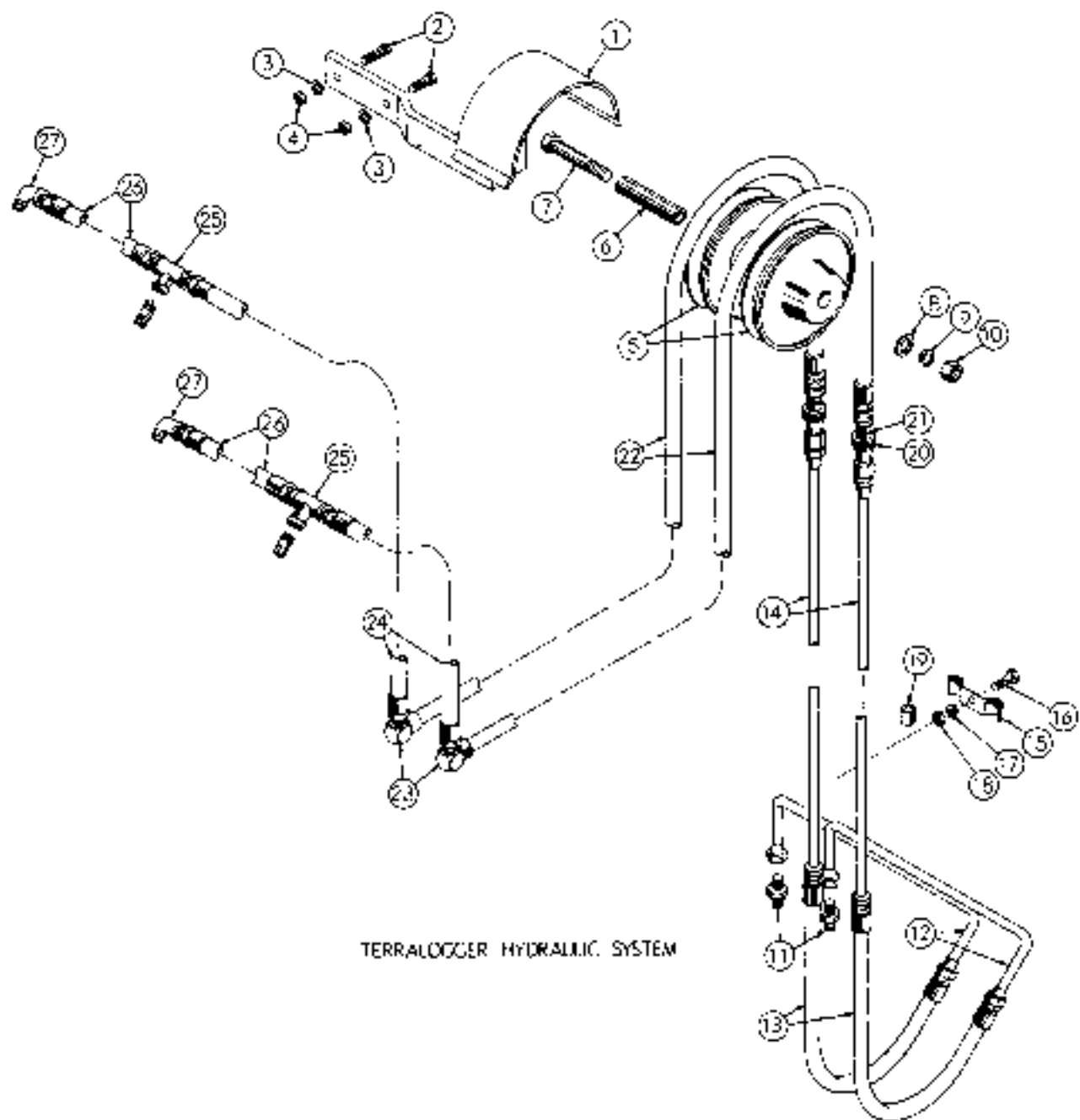
<u>REF.</u>	<u>PART NO.</u>	<u>DESCRIPTION</u>	<u>REQ'D.</u>
1	60585	SUPPORT ASS'Y. - pulley.....	1
2	14-828	HKCS - 1/2-20 NF x 1 3/4 (60585 mt'g.)..... (45709) ..	2
3	92-8	WASHER - med. sec. lock..... (48448) ..	2
4	25-118	NUT - req. SF hex (1/2-20 NF)..... (48104) ..	2
5	60451	PULLEY.....	2
6	60584	SLEEVE - pulley.....	1
7	14-872	HKCS - 1/2-20 NF x 4 1/2 (6045) mt'g.)..... (45719) ..	1
8	95-8	WASHER - plain..... (48408) ..	1
9	92-8	WASHER - med. sec. lock..... (48448) ..	1
10	25-118	NUT - req. SF hex (1/2-20 NF)..... (48104) ..	1
11	218-456	CONNECTOR - male, 1/2 JIC to 1/2 NP..... (50022) ..	2
12	35236	TUBE ASS'Y. - valve to mast.....	2
13	35230	HOSE ASS'Y. - valve to mast.....	2
14	38856	TUBE ASS'Y. - valve to mast, 9' mast.....	2
	38858	TUBE ASS'Y. - valve to mast, 12'6" mast.....	2
	35234	TUBE ASS'Y. - valve to mast, 14'3" mast.....	2
	38862	TUBE ASS'Y. - valve to mast 16' mast.....	2
15	17179	CLAMP - tube.....	2
16	14-516	HKCS - 5/16-24 NF x 1" (17179 mt'g.)..... (45633) ..	2
17	92-5	WASHER - med. sec. lock..... (48445) ..	2
18	25-115	NUT - req. SF hex (5/16-24 NF)..... (48101) ..	2
19	35546	GROMMET - rubber.....	2
20	41912	SOCKET - quick disconnect.....	2
21	41913	PLUG - quick disconnect.....	2
22	18979	HOSE ASS'Y. - 9' mast.....	2
	18980	HOSE ASS'Y. - 12'6" mast.....	2
	18981	HOSE ASS'Y. - 14'3" mast.....	2
23	35687	TUBE ASS'Y. - manifold for dump cylinder rear ports.....	1
24	35685	TUBE ASS'Y. - manifold for dump cylinder front ports.....	1
25	35689	HOSE ASS'Y. - manifold to dump cylinders.....	4
26	35691	TUBE ASS'Y. - to dump cylinder front ports.....	2
27	218-493	ELBOW - 90° male, 1/2 JIC to 1/2 NP..... (50112) ..	4
28	32978	CLAMP - tube (35685 & 35687 mt'g.).....	2
29	14-524	HKCS - 5/16-24 NF x 1 1/2 (32978 mt'g.)..... (45633) ..	2
30	92-5	WASHER - med. sec. lock..... (48445) ..	2
31	25-115	NUT - req. SF hex..... (48101) ..	2



EXPLODED VIEW OF
TERRA LOGGER INSTALLATION

TERRALOGGER INSTALLATION

<u>REF.</u>	<u>PART NO.</u>	<u>DESCRIPTION</u>	<u>REQ'D.</u>
1	60631	ARM ASS'Y. - alligator.....	1
2	60479	TIE ROD & BLOCK ASS'Y.....	1
3	195-53	WASHER - plain..... (48436) ..	2
4	129-300	NUT - lock (1"-14 NF)..... (11937) ..	2
5	60472	BRACKET ASS'Y. - pivot support, R.H.....	1
6	60473	BRACKET ASS'Y. - pivot support, L.H.....	1
7	60489	ARM ASS'Y. - sweep.....	1
8	60490	SPACER - sweep arm ass'y.....	2
9	14-1240	HHCS - 3/4-16 NF x 2 1/2 (60490 mt'g.)..... (45787) ..	2
10	195-45	WASHER - plain..... (48432) ..	2
11	92-12	WASHER - med. sec. lock..... (48452) ..	2
12	25-1112	NUT - reg. SF hex (3/4-16 NF)..... (48107) ..	2
13	60632	CHAIN - sweep arm (14 links).....	2
14	20064	SHACKLE - chain joining.....	2
15	20064	SHACKLE - chain joining.....	2
16	60486	ANCHOR ASS'Y. - cylinder.....	1
17	14-852	HHCS - 1/2-20 NF x 2 (60486 mt'g.)..... (45710) ..	4
18	92-8	WASHER - med. sec. lock..... (48448) ..	4
19	25-118	NUT - reg. SF hex (1/2-20 NF)..... (48164) ..	4
20	60516	SPRING.....	2
21	17590	CYLINDER ASS'Y. - hydraulic (see page #133 for breakdown) ..	2
22	18743	PIN - cylinder mt'g.....	4
23	132-152	PIN - cotter, 1/4 dia. x 2 3/4..... (48738) ..	8
24	61035	CLAMP ASS'Y.....	4
25	14-1236	HHCS - 3/4-16 NF x 2 1/4 (60524 mt'g.)..... (45786) ..	8
26	92-12	WASHER - med. sec. lock..... (48452) ..	8
27	25-1112	NUT - reg. SF hex (3/4-16 NF)..... (48107) ..	8

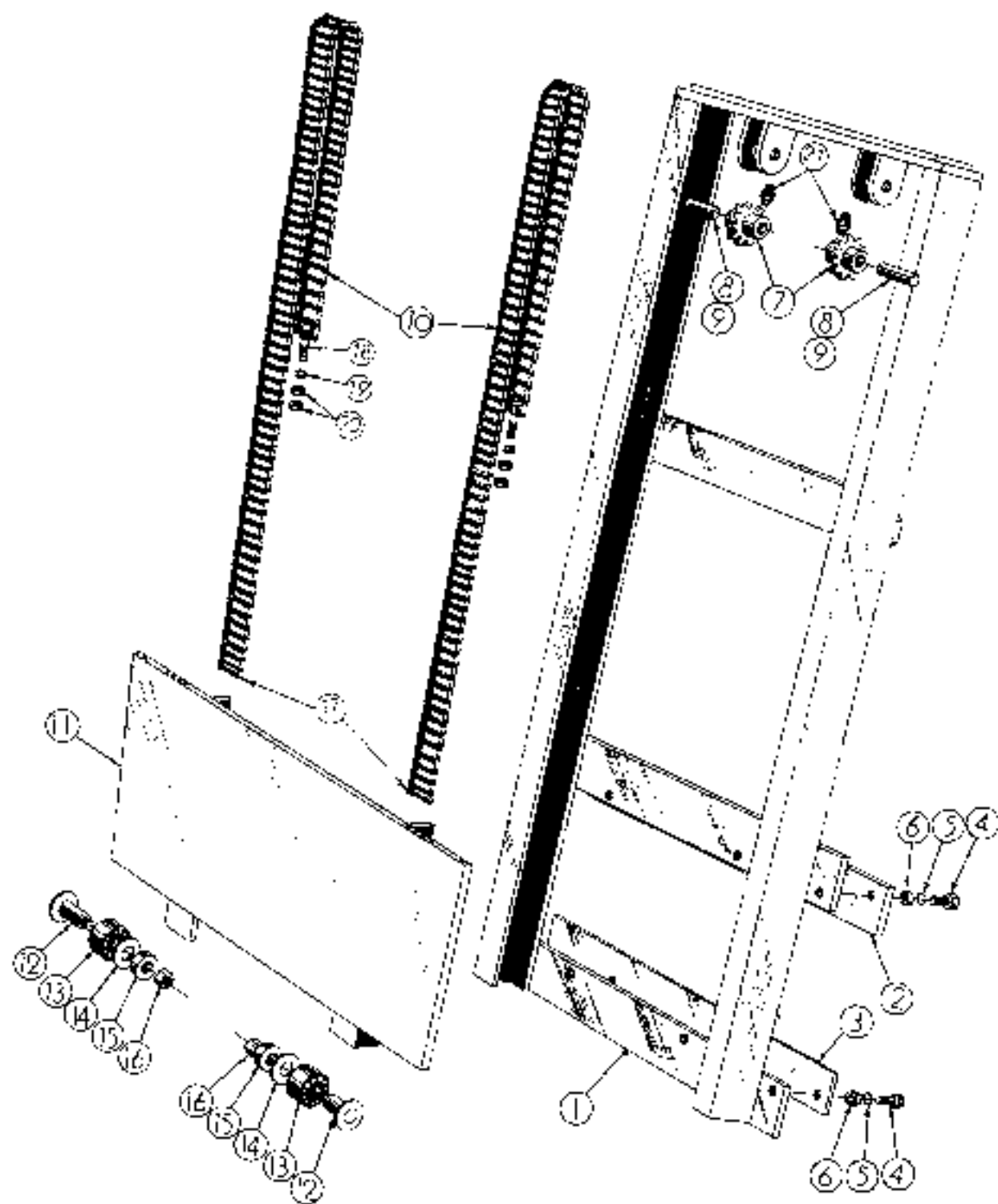


TERRALOCGER HYDRAULIC SYSTEM

TERRALOGGER HYDRAULIC SYSTEM

117

<u>REF.</u>	<u>PART NO.</u>	<u>DESCRIPTION</u>	<u>REQ'D.</u>
1	60585	SUPPORT ASS'Y, - pulley.....	1
2	14-828	WASHER - 1/2-20 NF x 1 3/4 {60585 mt'g.}..... (45709) ..	2
3	92-8	WASHER - med. sec. lock..... (48448) ..	2
4	25-118	NUT - reg. SF hex..... (48104) ..	2
5	60451	PULLEY.....	2
6	60584	SLEEVE - pulley.....	1
7	14-872	WASHER - 1/2-20 NF x 4 1/2 {60451 mt'g.}..... (45719) ..	1
8	95-8	WASHER - plait..... (48408) ..	1
9	92-8	WASHER - med. sec. lock..... (48448) ..	1
10	25-118	NUT - reg. SF hex (1/2-20 NF)..... (48104) ..	1
11	218-456	CONNECTOR - male, 1/2 JIC to 1/2 NP..... (50022) ..	2
12	35236	TUBE ASS'Y, - valve to mast.....	2
13	35230	HOSE ASS'Y, - valve to mast.....	2
14	38856	TUBE ASS'Y, - valve to mast, 9' mast.....	2
	38858	TUBE ASS'Y, - valve to mast, 12'6" mast.....	2
	35234	TUBE ASS'Y, - valve to mast, 14'3" mast.....	2
	38862	TUBE ASS'Y, - valve to mast, 16' mast.....	2
15	17179	CLAMP - tube.....	2
16	14-516	WASHER - 5/16-24 NF x 1" (17179 mt'g.)..... (45631) ..	2
17	92-5	WASHER - med. sec. lock..... (48445) ..	2
18	25-115	NUT - reg. SF hex (5/16-24 NF)..... (48101) ..	2
19	35546	GROMMET - rubber.....	2
20	41912	SOCKET - quick disconnect.....	2
21	41913	PLUG - quick disconnect.....	2
22	18979	HOSE ASS'Y, - 9' mast.....	2
	18980	HOSE ASS'Y, - 12'6" mast.....	2
	18981	HOSE ASS'Y, - 14'3" mast.....	2
	18982	HOSE ASS'Y, - 16' mast.....	2
23	221-376	ELBOW - 90° male, 3/8 NP..... (41552) ..	2
24	51010-24	HOSE ASS'Y.....	2
25	221-423	TEE - pipe, 3/8 NP..... (41582) ..	2
26	51010-12	HOSE ASS'Y.....	2
27	221-413	ELBOW - 90° street, 3/8 NP..... (41672) ..	2

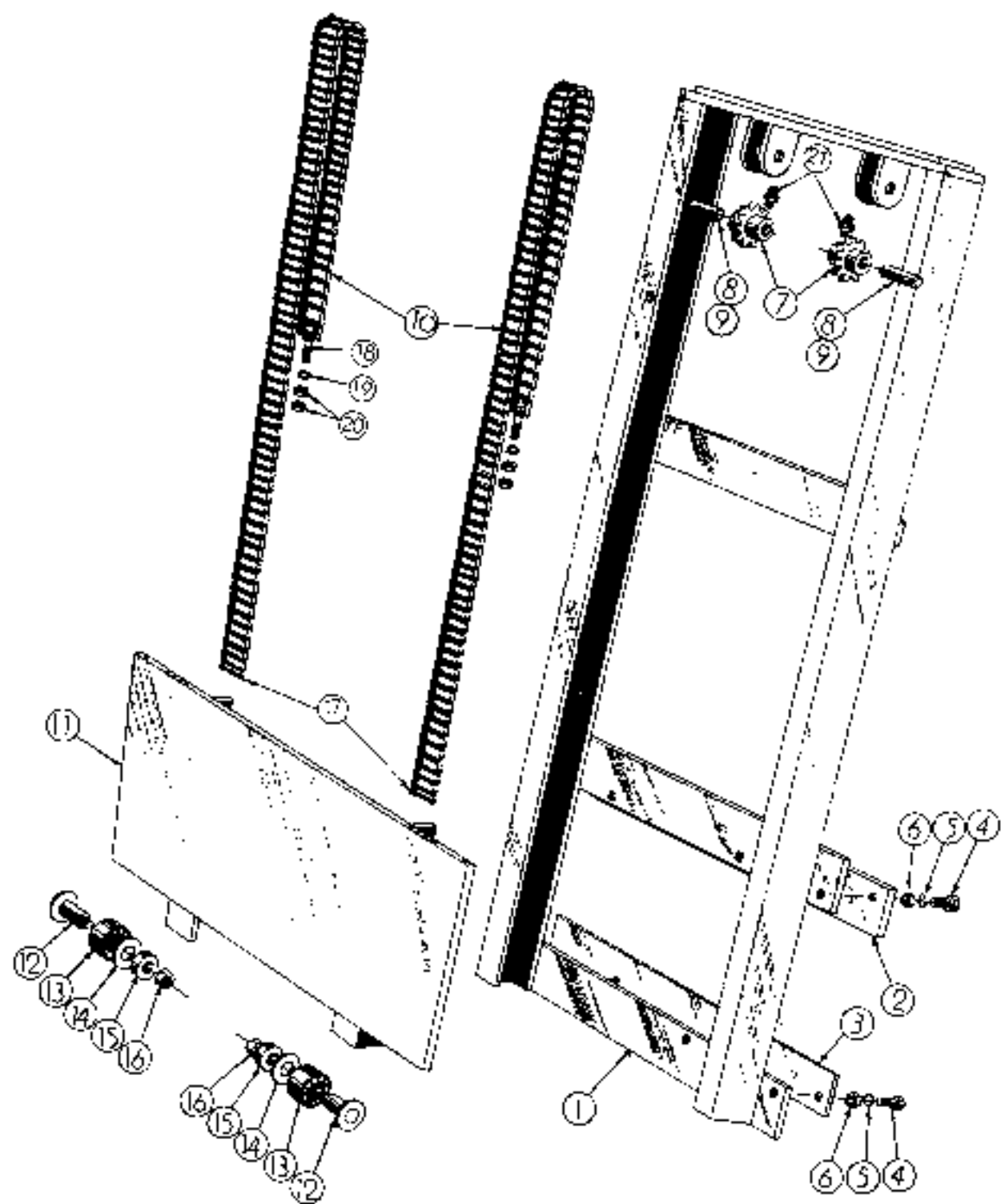


MAST EXTENSION INSTALLATION

MAST EXTENSIONS

119

REF.	PART NO.	DESCRIPTION	QTY
MAST EXTENSION - 82"			
1	60792	FRAME ASS'Y, - mast extension.....	1
2	60892	PLATE - mounting, upper.....	1
3	60893	PLATE - mounting, lower.....	1
4	14-1032	EHCS - 5/8-18 NF x 2 (60792 mt'g.)..... (45760)	4
	14-1036	EHCS - 5/8-18 NF x 2 1/4 (60792 mt'g.)..... (45761)	4
5	92-10	WASHER - med, sec, lock..... (48450)	8
6	25-1110	NUT - reg, SF hex (5/8-18 NF)..... (48106)	8
7	60840	SPROCKET ASS'Y.....	2
8	60998	SHAFT - sprocket.....	2
9	132-157	PIN - cotter, 1/4 dia, x 2 1/2..... (48741)	2
10	60842	CHAIN - mast.....	2
	60804	TROLLEY ASS'Y.....	1
11	60894	PLATE ASS'Y, - trolley.....	1
12	60816	SHAFT & WASHER ASS'Y.....	2
13	40200	BEARING ASS'Y.....	2
14	60814	WASHER - special.....	2
15	12071	SPACER.....	2
16	47869	NUT - light SF hex (1" - 8 NC).....	2
17	60961	LINK - connecting.....	2
18	60841	BOLT - eye.....	2
19	92-10	WASHER - med, sec, lock..... (48450)	2
20	25-1110	NUT - reg, SF hex (5/8-18 NF)..... (48106)	4
21	219-1	FITTING - straight grease, 1/8 NP..... (49200)	2
MAST EXTENSION - 104"			
1	60978	FRAME ASS'Y, - mast extension.....	1
2	60892	PLATE - mounting, upper.....	1
3	60893	PLATE - mounting, lower.....	1
4	14-1032	EHCS - 5/8-18 NF x 2 (60792 mt'g.)..... (45760)	4
	14-1036	EHCS - 5/8-18 NF x 2 1/4 (60792 mt'g.)..... (45761)	4
5	92-10	WASHER - med, sec, lock..... (48450)	8
6	25-1110	NUT - reg, SF hex (5/8-18 NF)..... (48106)	8
7	60840	SPROCKET ASS'Y.....	2
8	60998	SHAFT - sprocket.....	2
9	132-157	PIN - cotter, 1/4 dia, x 2 1/2..... (48741)	2
10	60910	CHAIN - mast.....	2
	60804	TROLLEY ASS'Y.....	1
11	60894	PLATE ASS'Y, - trolley.....	1
12	60816	SHAFT & WASHER ASS'Y.....	2
13	40200	BEARING ASS'Y.....	2
14	60814	WASHER - special.....	2
15	12071	SPACER.....	2
16	47869	NUT - light SF hex (1" - 8 NC).....	2
17	60961	LINK - connecting.....	2
18	60841	BOLT - eye.....	2
19	92-10	WASHER - med, sec, lock..... (48450)	2
20	25-1110	NUT - reg, SF hex (5/8-18 NF)..... (48106)	4
21	219-1	FITTING - straight grease, 1/8 NP..... (49200)	2
MAST EXTENSION - 115"			
1	60792	FRAME ASS'Y, - mast extension.....	1
2	60892	PLATE - mounting, upper.....	1
3	60893	PLATE - mounting, lower.....	1
4	14-1032	EHCS - 5/8-18 NF x 2 (60792 mt'g.)..... (45760)	4
	14-1036	EHCS - 5/8-18 NF x 2 1/4 (60792 mt'g.)..... (45761)	4
5	92-10	WASHER - med, sec, lock..... (48450)	8
6	25-1110	NUT - reg, SF hex (5/8-18 NF)..... (48106)	8
7	60840	SPROCKET ASS'Y.....	2
8	60998	SHAFT - sprocket.....	2

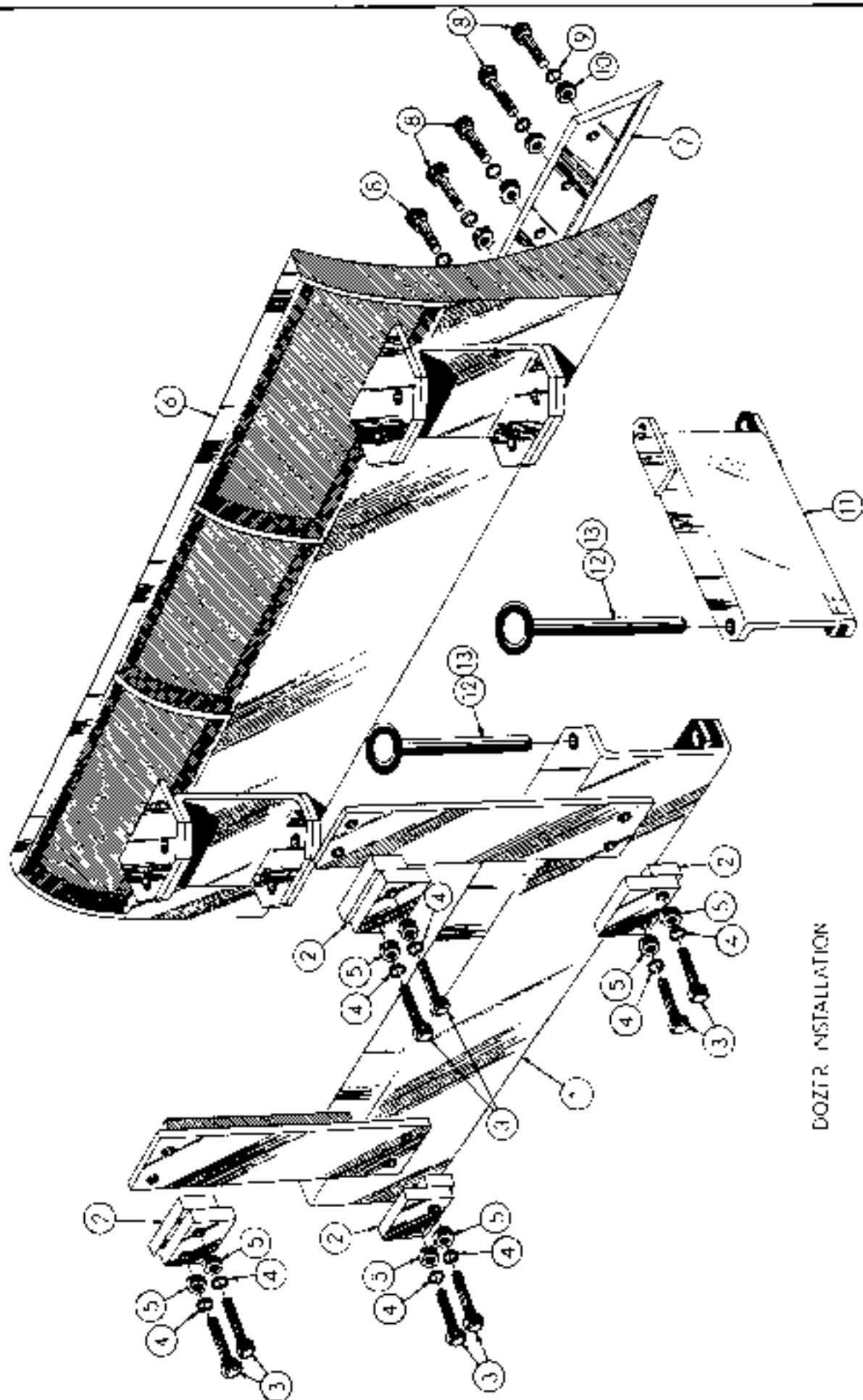


MAST EXTENSION INSTALLATION

MAST EXTENSIONS

121

<u>REF.</u>	<u>PART NO.</u>	<u>DESCRIPTION</u>	<u>REQ'D.</u>
9	132-157	PIN - cotter, 1/4 dia, x 2 1/2,.....(48741)..	2
10	60837	CHAIN - mast,.....	2
	60804	TROLLEY ASS'Y,.....	1
11	60994	PLATE ASS'Y, - trolley,.....	1
12	60816	SHAFT & WASHER ASS'Y,.....	2
13	40200	BEARING ASS'Y,.....	2
14	60914	WASHER - special,.....	2
15	12071	SPACER,.....	2
16	47869	NUT - light SF hex (1" - 8 NF),.....	2
17	60961	LINK - connecting,.....	2
18	60841	BOLT - eye,.....	2
19	92-10	WASHER - med, sec, lock,.....(48450)..	2
20	25-1110	NUT - req, SF hex (5/8-18 NF),.....(48106)..	4
21	219-1	FITTING - straight grease, 1/8 NF,.....(49200)..	2

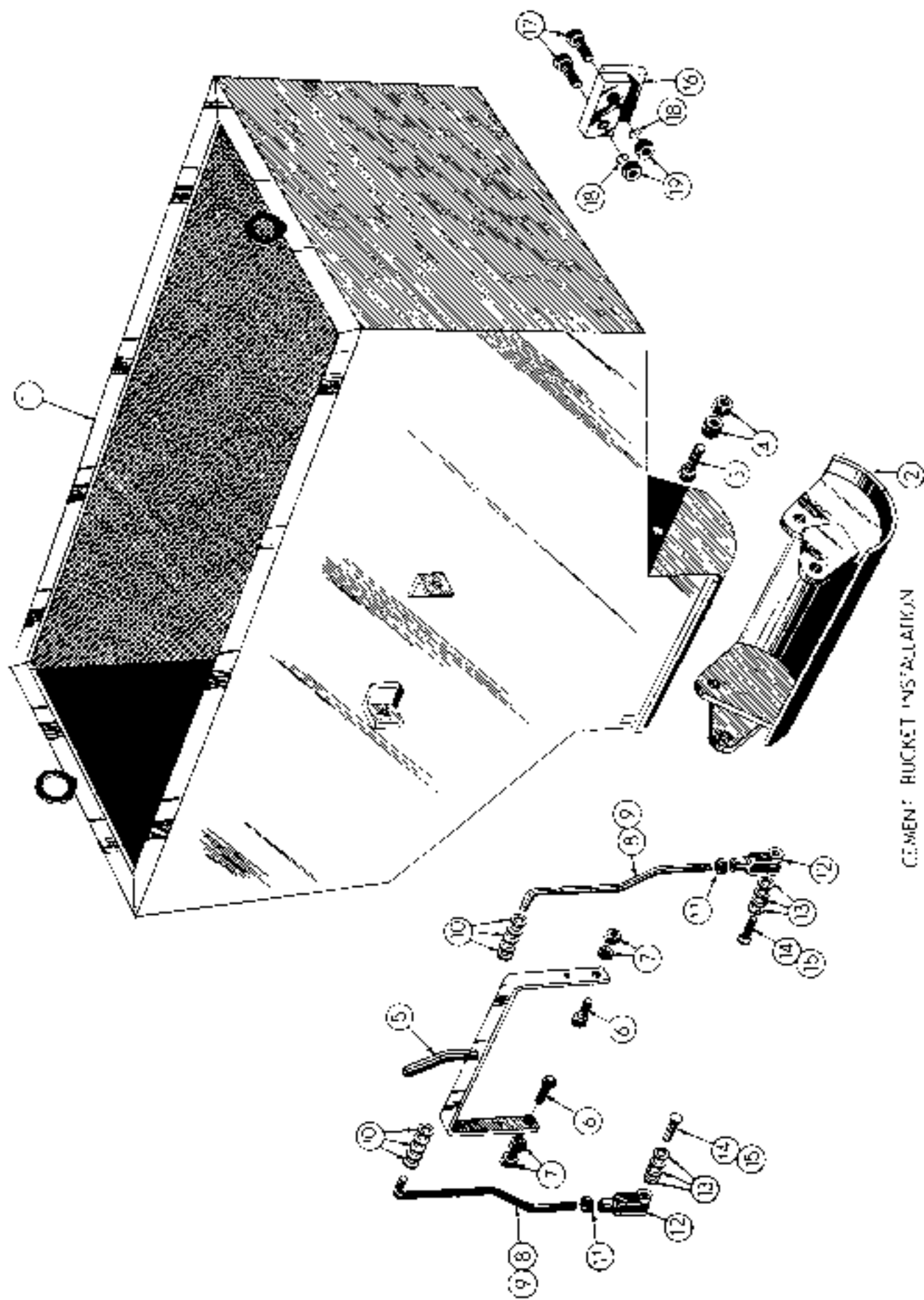


DOZTR INSTALLATION

DOZER INSTALLATION

123

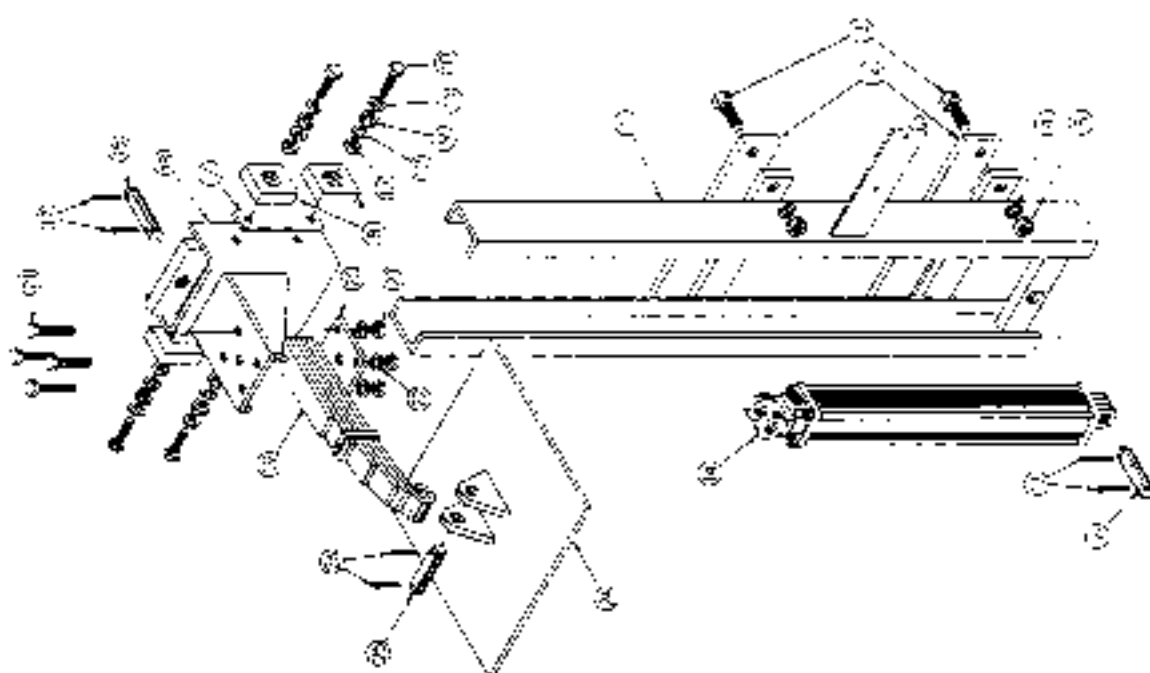
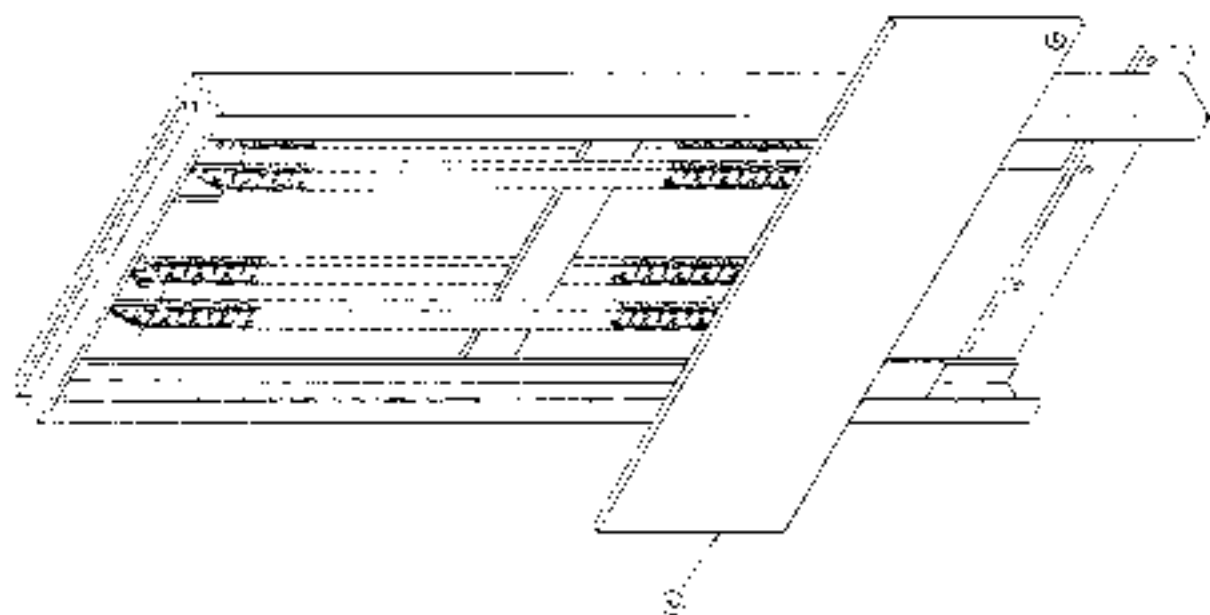
<u>REF.</u>	<u>PART NO.</u>	<u>DESCRIPTION</u>	<u>REQ'D.</u>
1	60400	BRACE ASS'Y. - mounting.....	1
2	61035	CLAMP ASS'Y.....	4
3	14-1248	HHCS - 3/4-16 NF x 3 (61035 mt.'g.)..... (45789) ..	8
4	92-11	WASHER - med, sec, lock..... (48452) ..	8
5	25-1112	NUT - reg, SF hex (3/4-16 NF)..... (48107) ..	8
6	60405	BLADE ASS'Y. - dozer.....	1
7	60407	EDGE - cutting.....	1
8	19-828	BOLT - plow, 1/2-13 NC x 1 3/4..... (46707) ..	16
9	92-8	WASHER - med, sec, lock..... (48448) ..	16
10	25-108	NUT - reg, SF hex (1/2-13 NC)..... (47804) ..	16
11	60393	ARM ASS'Y.....	1
12	60455	PIN ASS'Y.....	3
13	132-254	PIN - cotter, 1/4 dia, x 2..... (48739) ..	3



CEMENT BUCKET INSTALLATION

125

<u>SEQ.</u>	<u>PART NO.</u>	<u>DESCRIPTION</u>	<u>REQ'D.</u>
1	61027	BUCKET ASS'Y, - cement (1/2 yd.)	1
	61026	BUCKET ASS'Y, - cement (1/3 yd.)	1
2	65293	SCOOP ASS'Y	1
3	14-1232	NHCS - 3/4-16 NF x 2 (65293 mt'g.) (45785)	2
4	61005	BUSHING & SPACER	2
5	195-53	WASHER - plain (48436)	2
6	95-12	WASHER - plain (48412)	2
7	92-12	WASHER - med. sec. lock (48452)	2
8	25-1112	NUT - reg. SF hex (3/4-16 NF) (48107)	2
9	65294	HANDLE ASS'Y	1
10	31383	BOLT - shoulder (65294 mt'g.)	2
11	92-6	WASHER - med. sec. lock (48446)	2
12	25-116	NUT - reg. SF hex (3/8-24 NF) (48102)	2
13	31400	GRIP - rubber	1
14	65295	ROD - scoop control	2
15	132-48	PIN - cutter, 1/8 dia. x 1" (48695)	2
16	195-33	WASHER - plain (48428)	4
17	25-118	NUT - reg. SF hex (1/2-20 NF) (48104)	2
18	02701AB	YOKE - adjustable (48605)	2
19	02499AB1	PIN - yoke	2
20	132-48	PIN - cutter, 1/8 dia. x 1" (48695)	2
21	61035	CLAMP ASS'Y	2
22	14-1252	NHCS - 3/4-16 NF x 3 1/4 (61035 mt'g.) (45790)	4
23	92-12	WASHER - med. sec. lock (48452)	4
24	25-1112	NUT - reg. SF hex (3/4-16 NF) (48107)	4

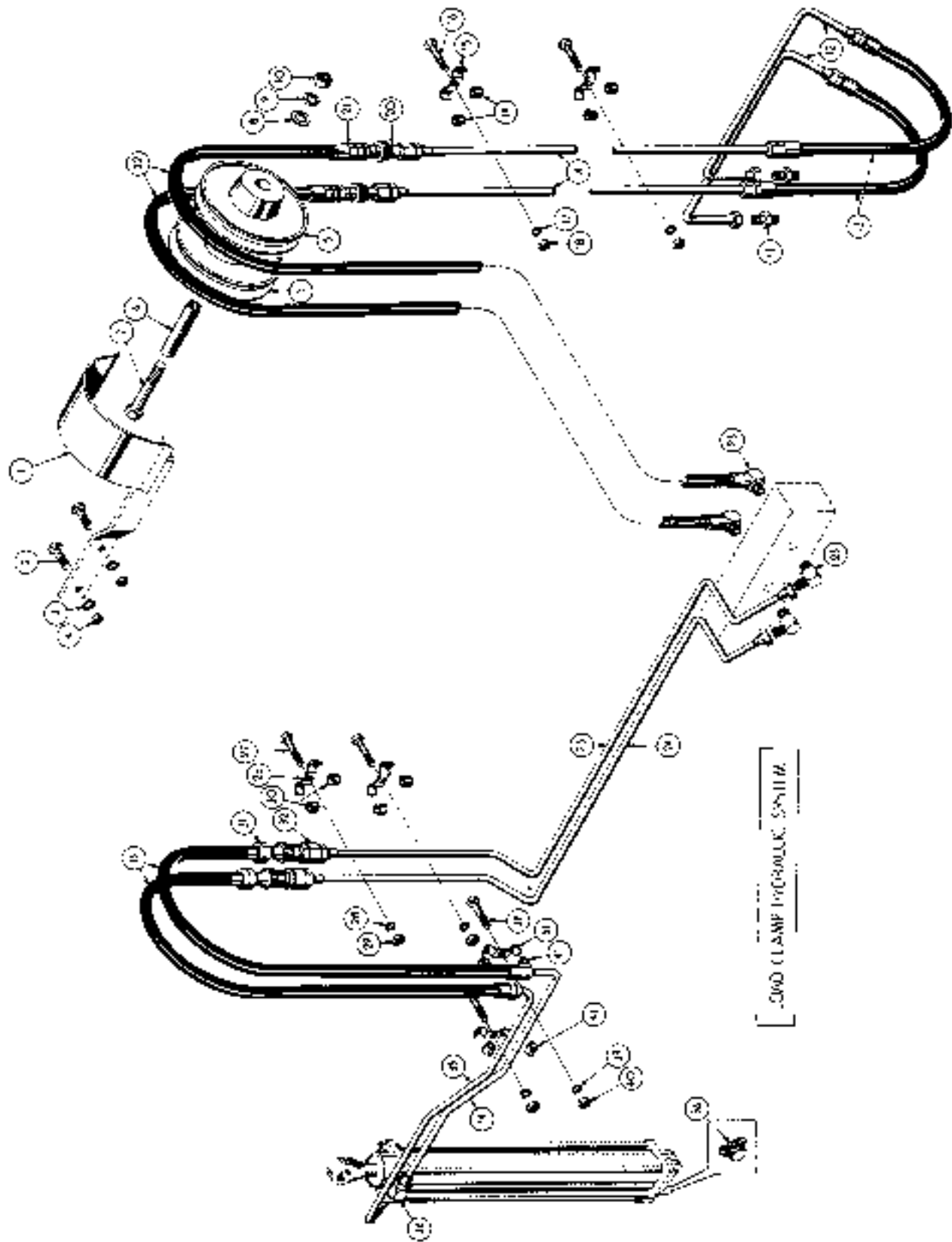


10340 01092 KM6.14.00A

LOAD CLAMP INSTALLATION

127

<u>REF.</u>	<u>PART NO.</u>	<u>DESCRIPTION</u>	<u>REQ'D.</u>
1	35320	FRAME ASS'Y.....	1
2	35323	PLATE ASS'Y, - clamp.....	2
3	14-1236	SHCS - 3/4-16 NF x 2 1/4 (35323 mt'g.).....(45786)..	4
4	92-12	WASHER - med. sec. lock.....(48452)..	4
5	25-1112	NUT - reg. SF hex (3/4-16 NF).....(48107)..	4
6	60793	EXTENSION ASS'Y, - mast (see page #129 for breakdown).....	1
7	35333	PLATE - spacer.....	2
8	35334	BLOCK - slide.....	4
9	35335	SPACER.....	4
10	14-832	SHCS - 1/2-20 NF x 2 (35334 mt'g.).....(45710)..	4
11	95-8	WASHER - plain.....(48403)..	4
12	92-8	WASHER - med. sec. lock.....(48440)..	4
13	25-118	NUT - reg. SF hex (1/2-20 NF).....(48104)..	4
14	35307	CYLINDER ASS'Y, - hydraulic (see page #135 for breakdown)...	1
15	16726	PIN - cylinder mt'g.....	1
16	18743	PIN - cylinder mt'g.....	1
17	132-152	PIN - cotter, 1/4 dia, x 1 3/4.....(48738)..	4
18	35325	TROLLEY ASS'Y.....	1
19	35329	SPRING ASS'Y.....	1
20	35357	PLATE - spring mounting.....	1
21	14-856	SHCS - 1/2-20 NF x 3 1/2 (35329 & 35357 mt'g.).....(45716)..	4
22	92-8	WASHER - med. sec. lock.....(48448)..	4
23	25-118	NUT - reg. SF hex (1/2-20 NF).....(48104)..	4
24	35317	PLATE ASS'Y, - clamp.....	1
25	16726	PIN - clamp plate mt'g.....	1
26	132-152	PIN - cotter, 1/4 dia, x 1 3/4.....(48738)..	2

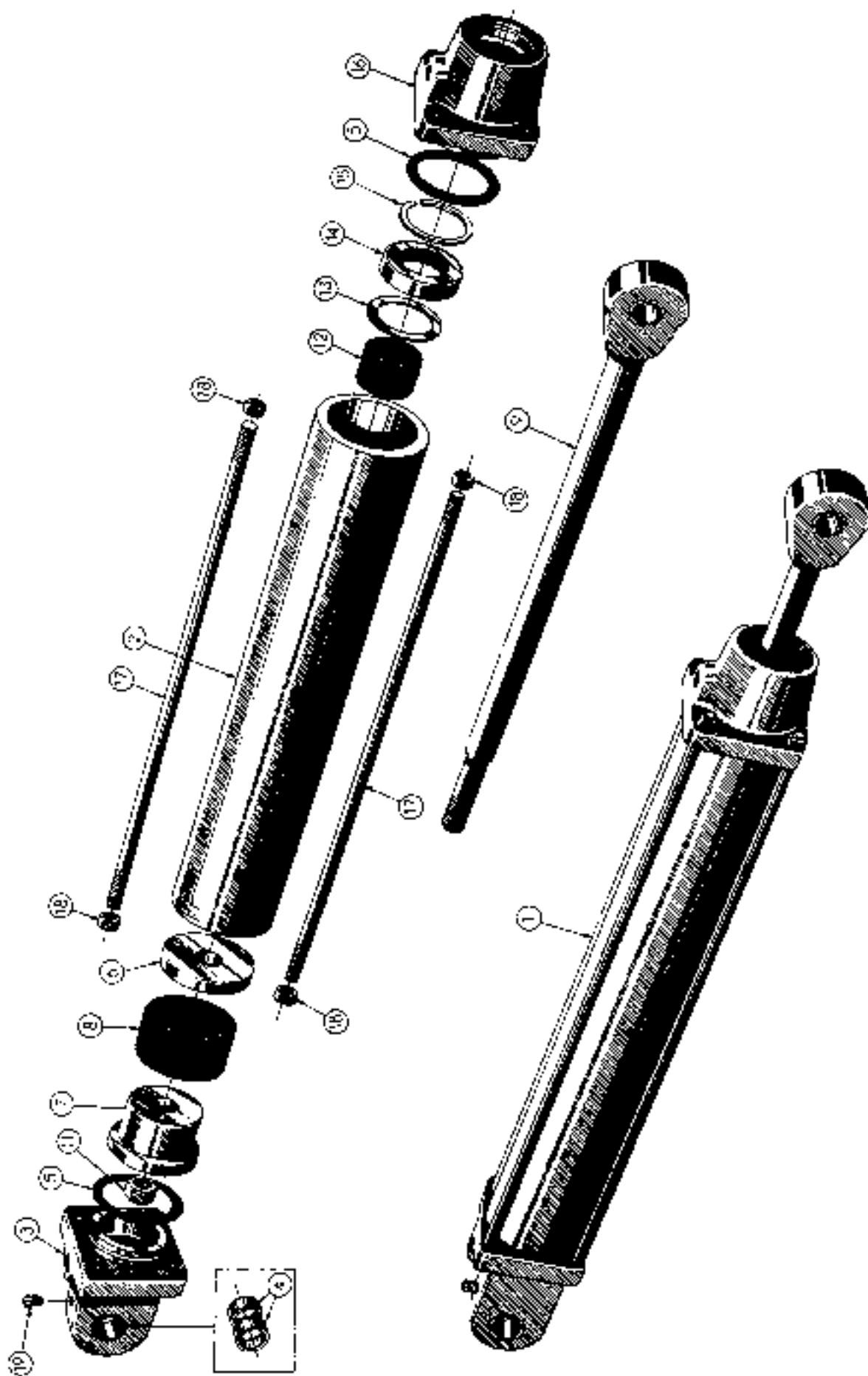


.500 CLAMP HYDRAULIC SYSTEM

LOAD CLAMP HYDRAULIC SYSTEM

129

<u>REF.</u>	<u>PART NO.</u>	<u>DESCRIPTION</u>	<u>REQ'D.</u>
1	60585	SUPPORT ASS'Y, - pulley.....	1
2	14-028	HECS - 1/2-20 NF x 1 3/4 (60505 mt'g.).....(45709) ..	2
3	92-8	WASHER - med, sec. lock.....(48448) ..	2
4	25-118	NUT - reg, SF hex (1/2-20 NF).....(46104) ..	2
5	60451	PULLEY.....	2
6	60584	SLEEVE - pulley.....	1
7	14-872	HECS - 1/2-20 NF x 4 1/2 (60451 mt'g.).....(45719) ..	1
8	95-8	WASHER - plain.....(48408) ..	1
9	92-8	WASHER - med, sec. lock.....(48448) ..	1
10	25-118	NUT - reg, SF hex (1/2-20 NF).....(48104) ..	1
11	218-456	CONNECTOR - male, 1/2 JIC to 1/2 NP.....(50022) ..	2
12	35236	TUBE ASS'Y, - valve to mast.....	2
13	35230	HOSE ASS'Y, - valve to mast.....	2
14	35234	TUBE ASS'Y, - valve to mast.....	2
15	17179	CLAMP - tube.....	2
16	14-516	HECS - 5/16-24 NF x 1" (17179 mt'g.).....(45631) ..	2
17	92-5	WASHER - med, sec. lock.....(48445) ..	2
18	25-115	NUT - reg, SF hex (5/16-24 NF).....(48101) ..	2
19	35546	GROMMET - rubber.....	4
20	41912	SOCKET - quick disconnect.....	2
21	41913	PLUG - quick disconnect.....	2
22	18981	HOSE ASS'Y, - 14'3" mast.....	2
23	218-493	ELBOW - 90° male, 1/2 JIC to 1/2 NP.....(50112) ..	4
24	35240	TUBE ASS'Y, - manifold to disconnect.....	1
25	35242	TUBE ASS'Y, - manifold to disconnect.....	1
26	17179	CLAMP - tube.....	2
27	14-516	HECS - 5/16-24 NF x 1" (17179 mt'g.).....(45631) ..	2
28	92-5	WASHER - med, sec. lock.....(48445) ..	2
29	25-115	NUT - reg, SF hex (5/16-24 NF).....(48101) ..	2
30	35546	GROMMET - rubber.....	4
31	41912	SOCKET - quick disconnect.....	2
32	41913	PLUG - quick disconnect.....	2
33	35228	HOSE ASS'Y, - disconnect to load clamp.....	2
34	35361	TUBE ASS'Y, - hose to cylinder.....	1
35	35362	TUBE ASS'Y, - hose to cylinder.....	1
36	218-493	ELBOW - 90° male.....(50112) ..	2
37	17179	CLAMP - tube.....	2
38	14-516	HECS - 5/16-24 NF x 1" (17179 mt'g.).....(45631) ..	2
39	92-5	WASHER - med, sec. lock.....(48445) ..	2
40	25-115	NUT - reg, SF hex (5/16-24 NF).....(48101) ..	2
41	35546	GROMMET - rubber.....	4

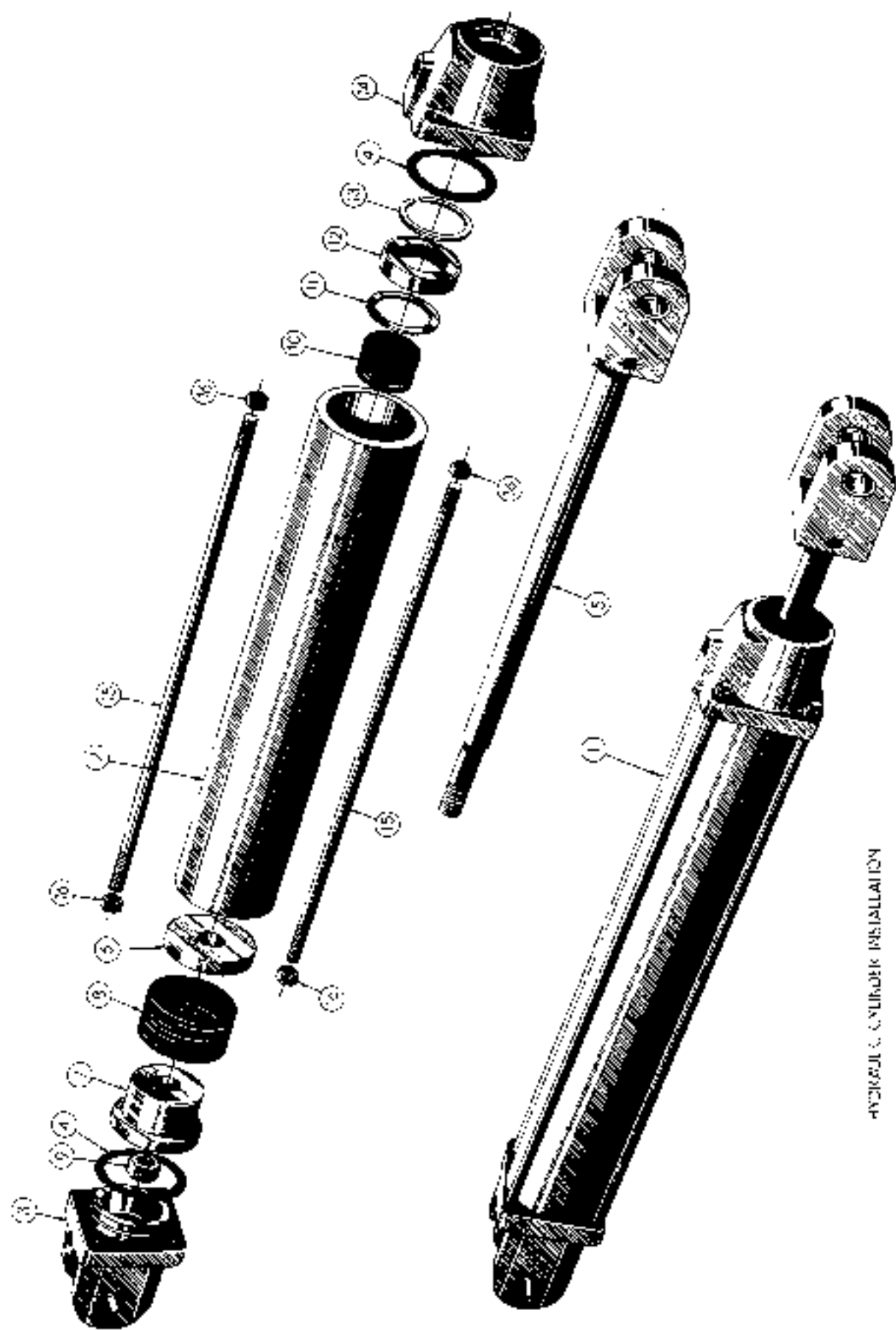


HYDRAULIC CYLINDER INSULATION

BUCKET DUMP CYLINDER

131

<u>REF.</u>	<u>PART NO.</u>	<u>DESCRIPTION</u>	<u>REQ'T.</u>
1	33772	CYLINDER ASS'Y. - hydraulic.....	2
2	33771	TUBE - hydraulic cylinder.....	1
3	D20038	END ASS'Y. - cylinder.....	1
4	30634	BUSHING.....	2
5	49382	SEAL - "O" ring.....	2
6	30630	WASHER - retainer.....	1
7	30631	BLOCK - piston.....	1
8	17598	PACKING - piston.....	1
9	33768	END YOKE & PISTON ROD ASS'Y.....	1
10		RESERVED.....	
11	131-152	NUT - lock (3/4-16 NF).....(48070) ..	1
12	17597	PACKING - rod.....	1
13	36259	WASHER - packing.....	1
14	17603	SEAL - wiper.....	1
15	49482	RING - snap.....	1
16	30628	CAP - end.....	1
17	33769	ROD - tie.....	4
18	131-366	NUT - lock (3/8-24 NF).....(17606) ..	8
19	215-55	FITTING - 90° grease. 1/8 NF.....(47217) ..	1

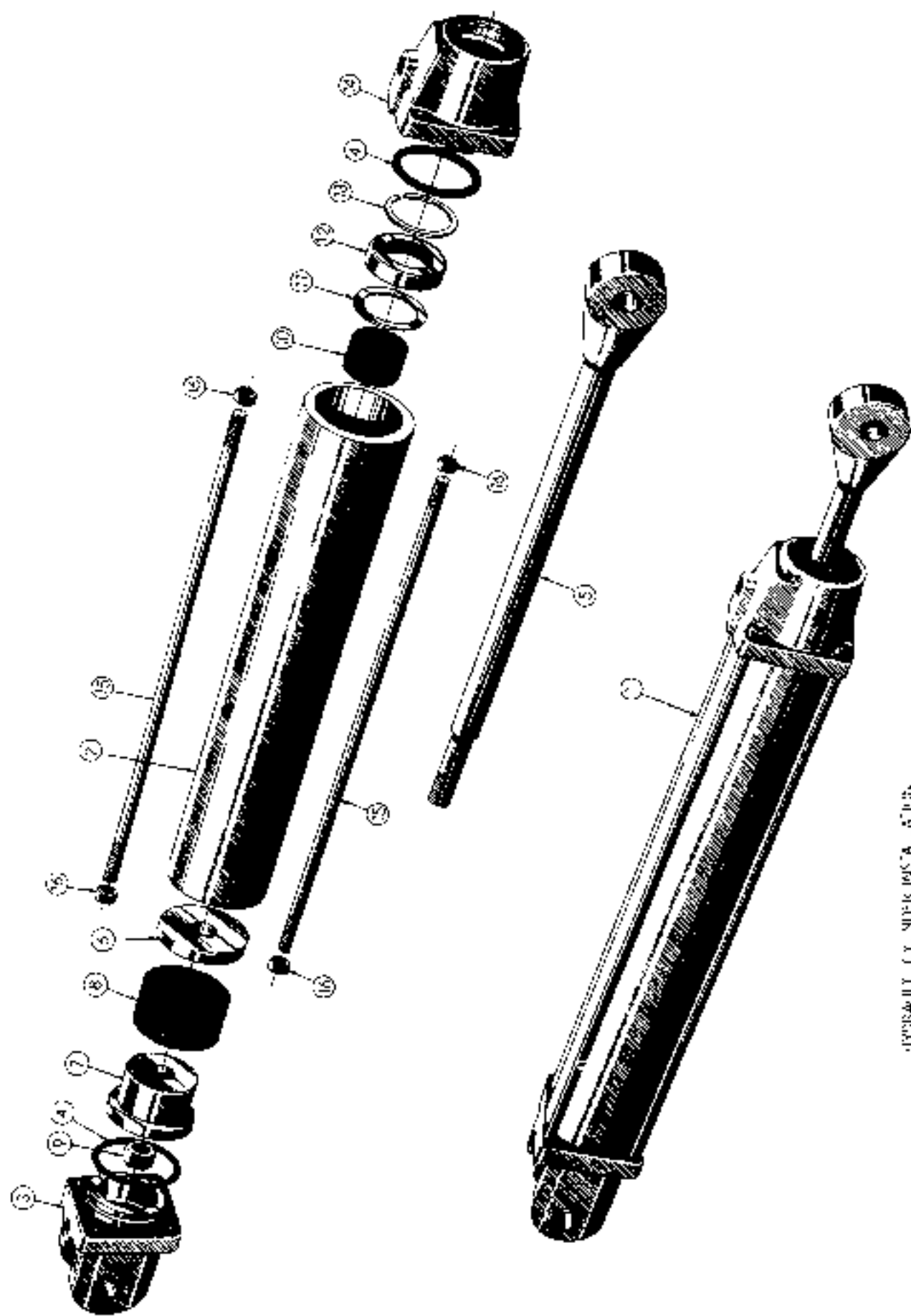


HYDRAULIC CYLINDER INSTALLATION

TERRALOGGER HYDRAULIC CYLINDER

133

<u>REF.</u>	<u>PART NO.</u>	<u>DESCRIPTION</u>	<u>REQ'D.</u>
1	17608	CYLINDER ASS'Y, - hydraulic (2 1/2 dia., 8" stroke).....	2
2	17593	TOBE - cylinder.....	1
3	17591	END - cylinder.....	1
4	49382	SEAL - "O" ring.....	2
5	17610	END YOKE & PISTON ROD ASS'Y.....	1
6	30630	WASHER - retainer.....	1
7	30631	BLOCK - piston.....	1
8	17598	PACKING - piston.....	1
9	131-368	NUT - hex, hydraulic cylinder..... (17605) ..	1
10	17597	PACKING - rod.....	1
11	36259	WASHER - packing.....	1
12	17603	SEAL - wiper.....	1
13	17604	RING - snap.....	1
14	17592	CAF - end.....	1
15	17594	ROD - tie.....	4
16	131-366	NUT - lock, 3/8-24 NF)..... (17606) ..	2



HYDRAULIC CO. MADE IN U.S.A. 57124

LOAD CLAMP HYDRAULIC CYLINDER

135

<u>REF.</u>	<u>PART NO.</u>	<u>DESCRIPTION</u>	<u>REQ'D.</u>
1	35307	CYLINDER ASS'Y, - hydraulic.....	1
2	16046	TUBE - hydraulic cylinder.....	1
3	17591	END - cylinder.....	1
4	49362	SEAL - "O" ring.....	2
5	35371	END YOKE & PISTON ROD ASS'Y.....	1
6	10610	WASHER - retainer.....	1
7	30631	BLOCK - piston.....	1
8	17598	PACKING - piston.....	1
9	131-152	NUT - lock (3/4-16 NF)..... (48070) ..	1
10	17597	PACKING - rod.....	1
11	36259	WASHER - packing.....	1
12	17603	SEAL - wiper.....	1
13	49482	RING - snap.....	1
14	17592	CAP - end.....	1
15	16043	ROD - tie.....	4
16	131-162	NUT - lock (3/8-24 NF)..... (17606) ..	8

NUMERICAL INDEX

PART NO.	PAGE NO.	REF. NO.	PART NO.	PAGE NO.	REF. NO.	PART NO.	PAGE NO.	REF. NO.
5710	101		10123	35	4	10421	23	81
5949	27		10127	37	6	10423	23	85
5949	108		10133	23	137	10424	23	84
5951	108		10134	23		10444	23	47
5953	108		10142	23	126	10453	23	
5962	108		10143	23	125	10452	23	95
5984	31		10161	27		10454	23	97
5984	108		10168	27	10	10456	39	1
5986	31		10171	27	7	10458	39	2
5986	108		10181	27	19	10465	39	4
5988	31		10182	27	21	10466	39	5
5988	108		10183	27	23	10467	39	6
5990	31		10195	27	29	10468	39	7
5990	108		10200	27		10469	39	8
5992	31		10211	27	30	10470	39	10
5992	108		10212	27		10472	39	9
5996	49	7	10227	37	3	10480	39	11
6010	93	5	10252	27	33	10481	39	20
6011	21		10262	31	3	10482	39	19
6045	99		10264	31	2	10498	39	21
6050	33		10281	31	7	10501	33	8
6050	108		10283	27	8	10502	33	4
6123	105		10283	31	4	10503	33	5
10007	43	33	10284	31	10	10504	33	10
10008	43	38	10285	31	9	10505	33	6
10012	43	27	10294	21	48	10506	33	1
10015	21	70	10295	21	38	10509	33	7
10015	23	75	10295	21	45	10523	33	23
10017	41	2	10295	39	12	10542	27	13
10018	43	42	10298	21	41	10553	21	15
10019	43	47	10298	21	44	10561	43	44
10021	31	1	10298	33	22	10562	43	43
10022	39	23	10301	21	28	10565	23	
10023	351		10311	31	26	10571	21	4
10026	35	2	10312	21	24	10572	21	1
10027	43	9	10314	21	27	10573	21	2
10029	37	9	10314	23	74	10574	21	3
10031	37	11	10314	43	26	10580	43	29
10032	37	7	10315	21	25	10592	33	11
10033	43	13	10321	39	15	10615	33	13
10034	43	32	10322	39	18	10617	25	
10037	23	140	10323	39	16	10618	25	
10038	23	139	10341	31		10619	41	8
10040	43	40	10344	31	16	10620	41	9
10041	43	39	10345	31	15	10621	41	13
10043	21	38	10356	23	87	10623	29	
10047	41	3	10357	23	89	10628	33	14
10048	41	4	10362	21	66	10670	27	27
10049	41	5	10370	23	90	10717	73	7
10054	41	6	10373	29		10731	65	27
10065	31	24	10374	29		10786	27	31
10067	23		10376	27	26	10818	67	2
10071	27	25	10377	27	28	10839	67	7
10073	23	86	10382	31		10849	67	17
10078	23	124	10384	31	26	10855	67	14
10082	21	13	10385	31	27	10859	67	13
10083	31	41	10386	31	32	10860	67	10
10091	27	18	10390	31	29	10864	67	16
10092	27	20	10391	31	30	10868	67	15
10093	27	22	10392	31	31	10890	87	8
10095	23		10394	31	34	10893	87	9
10096	23	94	10395	31	33	10894	87	11
10099	43		10396	31	36	10895	73	5
10100	43	37	10397	31	35	10895	87	12
10101	21	67	10398	31	37	10896	73	4
10105	23	78	10399	31	40	10896	87	13
10106	23	76	10406	21	16	10914	73	
10107	21	69	10411	21	20	10914	73	21
10109	23	80	10412	21	22	10915	73	3
10121	23	118	10416	21	21	10916	73	6
10123	23	119	10416	21	21	10917	73	2

NUMERICAL INDEX (Continued)

PART NO.	PAGE NO.	REF. NO.	PART NO.	PAGE NO.	REF. NO.	PAGE NO.	PAGE NO.	REF. NO.
10918	73	1	11412	9	8	12088	75	8
10919	73	7	11414	9	10	12530	65	20
10920	73	8	11415	9	11	13532	65	24
10921	73	9	11416	9		13533	65	21
10922	73	10	11416	9		13756	95	1
10923	73	11	11417	9	12	13757	95	2
10924	73	12	11421	9	16	13758	101	1
10925	73	13	11422	9	21	13759	95	3
10926	73	14	11423	9	14	14201	59	29
10927	73	15	11424	9	15	14202	59	27
10928	73	16	11425	9	36	14201	59	28
10929	73	17	11426	9	37	14204	59	30
10934	73	18	11427	9	38	14208	59	8
10944	73	33	11429	13	102	14215	59	13
10972	21	33	11430	9	35	14217	59	12
10995	27	40	11431	9	29	14217	59	34
11008	45	46	11432	9	34	14218	59	23
11016	45	49	11433	9	32	14220	59	18
11031	15	4	11436	9	25	14221	59	21
11057	23	82	11438	9	27	14222	59	19
11058	23	88	11439	9	28	14224	59	25
11061	61	31	11440	9	30	14228	59	4
11065	33	21	11441	9	31	14258	59	16
11066	33		11445	9	22	14927	9	23
11067	21	42	11446	11	61	14928	9	24
11067	23		11448	11	69	14930	9	26
11069	21	31	11449	11	47	14934	9	7
11071	21	7	11449	11	53	14935	9	4
11072	33	12	11450	11	75	15082	75	13
11073	21	18	11451	11	42	15101	75	20
11101	23		11453	11	46	16043	135	15
11159	23	96	11454	11	97	16045	87	2
11159	23	96	11455	9	19	16046	135	2
11173	43	5	11456	11	89	16600	55	2
11174	37	1	11469	15	15	16600	61	
11288	9	6	11469	63	25	16726	51	14
11361	11	41	11469	63	51	16726	127	15
11362	11	44	11470	15	6	16726	127	25
11363	11	48	11471	63	24	16860	55	1
11365	11	50	11482	43		16060	59	1
11366	11	51	11561	29	44	16894	61	2
11367	11	53	11574	23	79	16895	61	3
11368	11	56	11577	31	39	16896	61	4
11369	11	57	11578	31		16897	61	5
11370	11	59	11580	23		16898	61	6
11371	11	45	11585	43	13	16099	61	7
11372	11	60	11808	17		16899	61	10
11373	11	62	11809	17		16900	61	8
11374	11	63	11816	17	1	16901	61	9
11375	11	64	11817	17		16902	61	11
11376	11	65	11823	17	4	16903	61	12
11377	11	68	11824	17	12	16904	61	13
11378	11	67	11827	17	14	16905	61	14
11379	11	66	11828	17	13	16906	61	15
11380	11	70	11831	17	2	16907	61	16
11381	11	72	11832	17	6	16908	61	17
11382	11	54	11833	17	8	16909	61	18
11382	11	71	11845	17	1	16910	61	19
11383	11	76	11851	17	2	16911	61	20
11385	11	77	11853	17	9	16912	61	21
11389	11	91	11916	17	21	16913	61	22
11390	11	92	11921	41	7	16914	61	23
11391	11	93	11933	13	109	16915	61	24
11393	11	96	11934	17	22	16916	61	25
11396	11	81	11935	19	9	16917	61	26
11397	11	82	11935	19	16	16917	61	26
11398	11	83	11935	19	5	16918	61	27
11399	11	84	11937	19	13	16919	61	28
11400	11	85	11938	13	116	17179	113	15
11401	11	86	12071	119	15	17179	117	15

NUMERICAL INDEX (Continued)

PART NO.	PAGE NO.	REF. NO.	PART NO.	PAGE NO.	REF. NO.	PART NO.	PAGE NO.	REF. NO.
17179	129	15	30631	131	7	31365	13	99
17179	129	26	30631	133	7	31378	63	33
17590	115	21	30631	135	7	31385	125	10
17591	53	3	30634	131	4	31387	63	12
17591	133	3	30638	85	2	31400	63	19
17591	135	3	30639	85	3	31400	125	13
17592	53	14	30704	77	7	31515	27	12
17592	133	14	30704	79	6	31619	47	64
17592	135	14	30704	81	7	31715	111	21
17593	133	2	30707	79	2	31717	49	8
17594	133	15	30739	73		31724	49	14
17594	53	10	30842	67	26	31725	49	4
17597	131	12	30863	67	20	31725	49	15
17597	133	10	30864	67	21	31726	49	5
17597	135	10	30867	67	18	31726	49	16
17598	53	8	30889	111	15	31727	49	6
17598	131	8	30891	87	10	31728	49	2
17598	133	8	31003	45	41	31729	49	3
17598	135	8	31004	45	42	31794	81	9
17602	53	11	31005	45	44	31795	81	9
17603	53	12	31006	45	43	31796	81	15
17603	131	14	31032	45	48	31797	81	14
17603	133	12	31116	73	18	31832	75	1
17603	135	12	31119	27		31833	75	
17604	53	13	31120	23	134	31877	103	
17604	133	13	31149	111	2	31878	103	
17608	133	1	31163	79	1	31879	103	
17610	133	5	31173	23	117	31880	103	
18743	51		31173	35	5	31881	103	
18743	51	12	31174	43	6	31882	103	
18743	115	22	31175	33		31884	103	
18743	127	16	31176	41		31885	103	
18970	55	37	31181	45	13	31886	103	
18979	113	32	31183	45		31887	103	
18979	117	22	31184	47	68	31888	103	
18980	113		31185	45	56	31889	103	
18980	117		31187	45	16	31891	103	
18981	113		31188	45	14	31892	103	
18981	117		31190	45	27	31893	103	
18981	129	22	31192	45	19	31894	103	
18982	117		31195	45		31895	103	
18992	55	10	31196	47	60	31896	103	
19215	55	52	31198	45	37	31957	79	
19216	55	52	31201	45	57	31988	73	5
19329	49		31202	47	67	32032	77	:
20064	115	15	31203	45	55	32051	77	6
23016	11	58	31204	47	62	32051	79	5
30160	37	2	31205	47	59	32051	81	5
30329	23		31207	47	72	32055	77	9
30360	43		31208	47	71	32056	77	3
30362	43	15	31209	47	69	32060	81	1
30438	21	5	31210	47	76	32068	81	3
30438	21	36	31216	45	28	32074	81	18
30438	21	47	31218	45	22	32076	77	2
30438	31	42	31220	45	9	32093	75	3
30438	37	5	31221	45	4	32094	75	7
30438	39	22	31222	45	3	32095	75	11
30438	43		31224	45	40	32096	75	9
30454	43	23	31225	45	52	32181	75	24
30455	43	8	31233	45	6	32182	75	25
30461	43	16	31234	45	7	32239	45	1
30470	7	8	31235	45	8	32258	13	103
30609	45		31236	45	10	32296	105	11
30622	15	14	31238	45	14	32332	75	26
30623	15	12	31239	45	21	32369	13	117
30628	131	16	31241	45	12	32395	87	15
30630	53	6	31243	45	23	32395	99	
30630	131	6	31244	45	25	32530	117	13
30630	133	6	31245	45	26	32542	75	15
30630	135	6	31250	45	20	32554	103	
30631	53	7	31294	105	2	32555	103	

NUMERICAL INDEX (Continued)

PART NO.	PAGE NO.	REF. NO.	PART NO.	PAGE NO.	REF. NO.	PART NO.	PAGE NO.	REF. NO.
32556	103		33690	105	8	36259	133	11
32557	103		33691	105		36259	135	11
32558	103		33892	105	7	36321	55	32
32598	111	23	33893	105		36442	55	31
32599	111	17	33945	75	2	36564	67	6
32606	45	47	33946	75		36566	69	4
32647	21	32	33950	105		36570	55	39
32650	111	14	33951	105		36586	55	38
32678	21	71	33952	105	1	36724	55	56
32681	43	9	33953	105		36983	65	18
32682	33	2	34015	27	36	37219	55	14
32683	33	3	34017	21	14	37238	13	98
32798	56	42	34019	27		38266	55	33
32830	85	4	34026	21	12	38382	59	9
32830	85	9	34346	71	1	38383	59	14
32831	85	5	34347	71	4	38434	59	11
32838	103	5	34386	71	13	38436	59	15
32848	103		34451	59	10	38856	113	14
32849	103		34455	59	17	38856	117	14
32880	103	1	34571	85	6	38958	113	
32881	85	10	34589	85	1	38858	117	
32881	103		34595	31	22	38862	113	
32882	103		34596	31	45	38862	117	
32883	103		34597	31	44	39147	73	30
32913	103		34617	73	2	39149	73	32
32914	103		34632	49	1	40002	17	5
32915	103		34838	21	23	40003	17	7
32916	103		34914	47	75	40018	47	61
32977	103	4	35073	65	28	40039	17	10
32978	55	18	35228	129	33	40205	119	13
32978	55	23	35230	113	13	40200	121	13
32978	113	28	35230	129	13	40610	17	11
32981	103	2	35234	113		40619	45	24
32982	103		35234	117		40633	77	5
32983	103		35234	129	14	40633	79	4
32984	103		35236	113	13	40633	81	6
32985	103		35236	117	12	40652	45	15
32986	103		35236	129	12	40658	47	63
32988	103	3	35240	129	24	41415	99	5
32989	103		35242	129	25	41580	99	4
32990	103		35307	127	14	41640	41	12
32991	103		35307	135	1	41670	99	2
32994	85	13	35317	127	24	41823	11	
32995	85	14	35320	127	1	41825	11	43
32998	103		35323	127	2	41867	61	30
32999	103		35325	127	18	41871	61	29
33046	19	10	35329	127	20	41912	113	20
33047	19	12	35333	127	7	41912	117	20
33067	19	2	35334	127	8	41912	129	20
33184	59	7	35335	127	9	41912	129	31
33185	59	3	35355	55	12	41913	113	21
33187	59	5	35356	55	13	41913	117	21
33188	59	6	35357	127	20	41913	129	21
33189	45	29	35361	129	34	41913	129	32
33267	99	1	35362	129	35	45762	51	2
33285	85	7	35371	135	5	46493	75	4
33286	85	8	35371	135	5	46495	105	2
33311	73	27	35546	113	19	46505	13	108
33315	71	9	35546	117	19	46944	85	11
33321	23	100	35546	129	19	47319	89	9
33547	65	14	35546	129	30	47320	89	10
33603	63	11	35546	129	41	47364	45	30
33604	63	14	35666	87	17	47379	45	35
33726	55	41	35667	87		47404	55	6
33768	131	9	35668	87		47704	17	17
33769	131	17	35669	87		47860	43	36
33771	131	2	35672	55	10	47861	21	8
33772	111	20	35685	113	24	47861	23	115
33772	131	1	35687	113	23	47861	35	7
33930	77	12	35689	113	25	47861	41	11
33981	47	82	35691	113	26	47863	21	29

NUMERICAL INDEX (Continued)

PART NO.	PAGE NO.	REF. NO.	PART NO.	PAGE NO.	REF. NO.	PART NO.	PAGE NO.	REF. NO.
47869	119	16	60552	73	17	60896	95	
47869	121	16	60557	15	1	60898	51	11
48080	67	4	60594	113	6	60898	53	1
48080	67	9	60594	117	6	60999	53	5
48092	85	12	60584	129	6	60904	53	2
48161	43	14	60595	113	:	60905	53	15
48162	27	42	60585	117	:	60910	119	10
48312	77	33	60585	129	:	60914	89	8
48357	67	12	60631	115	1	60915	89	5
48465	21	9	60632	115	13	60916	89	6
48465	23	110	60646	67	:	60917	89	7
40465	35	6	60647	55	3	60939	91	6
48465	43	21	60659	63	52	60940	89	3
48467	23	138	60661	19	14	60941	89	4
48502	67	11	60672	63	10	60942	91	3
48523	59	26	60673	63	30	60943	91	4
48525	21	58	60674	63	31	60944	91	5
48525	73	77	60675	63	32	60945	89	2
48525	37	8	60679	63	26	60946	91	8
48526	27	41	60680	63	34	60946-86	91	7
48601	63	46	60682	63	40	60946-100	91	7
48603	63	19	60685	63	1	60946-120	91	7
48603	63	36	60727	65	15	60947	91	9
48661	63	47	60751	67	19	60948	91	10
48760	9	33	60753	7	2	60949	89	1
48816	63	13	60764	19	1	60950	89	1
49202	47	65	60766	13	106	60951	89	1
49275	47	66	60766	43		60952	89	1
49302	63	4	60767	13	107	60953	93	3
49382	131	5	60768	79	9	60954	93	4
49382	133	4	60782	65	13	60955	93	2
49382	135	4	60786	63	1	60956	91	1
49400	55	30	60787	75	12	60957	91	1
49401	55	48	60792	119	1	60959	91	1
49482	131	15	60793	119	1	60959	91	1
49482	135	13	60793	127	6	60960	93	6
49562	65	19	60604	119		60961	119	17
49766	55	43	60804	121		60961	121	17
49774	65	7	60614	119	14	60967	93	1
49778	67	28	60814	121	14	60969	93	1
49789	57	61	60816	119	12	60969	93	1
49838	47	83	60837	121	10	60970	93	1
49855	57	69	60840	119	7	60972	91	2
49876	67	29	60641	119	18	60973	63	15
50000	35	53	60841	121	19	60978	119	1
50464	35	5	60842	119	10	60991	111	6
50464	41	14	60848	107	4	60997	65	0
50476	67	5	60849	107	3	60998	119	8
50871	55	49	60850	51	1	61005	125	4
51010-12	117	26	60867	51	5	61026	125	
51010-24	117	24	60879	87	1	61027	125	1
60180	63	23	60879	89		61032	107	
60371	107	1	60879	91		61035	111	10
60372	107	2	60879	93		61035	115	24
60393	123	11	60880	87		61035	123	2
60400	123	1	60880	89		61035	125	21
60405	123	6	60880	91		62087	67	25
60407	123	7	60880	93		65295	125	2
60432	73	1	60882	87		65294	125	9
60451	113	5	60882	89		65295	125	14
60451	117	5	60882	91		71752	45	5
60451	129	5	60882	93		71753	45	11
60455	123	12	60883	87		72742	45	2
60472	115	5	60883	89		13-46	43	34
60473	115	6	60893	91		13-410	43	30
60479	115	2	60883	93		13-512	45	50
60486	115	13	60892	119	2	13-516	43	20
60489	115	7	60893	119	3	13-516	47	78
60490	115	6	60894	119	11	13-520	73	8
60516	115	20	60994	121	11	13-610	11	78
60526	111	5	60894	121	12	13-610	23	135

NUMERICAL INDEX (Continued)

141

PART NO.	PAGE NO.	REF. NO.	PART NO.	PAGE NO.	REF. NO.	PART NO.	PAGE NO.	REF. NO.
14-516	57	70	14-1235	19	15	129-405	73	9
13-610	23	135	14-1236	115	25	129-492	111	25
13-614	11	94	14-1236	127	3	129-490	19	7
13-616	43	17	14-1240	19	3	129-500	115	4
13-616	45	17	14-1240	111	11	131-152	131	11
13-616	47	80	14-1240	115	9	131-156	73	16
13-620	17	15	14-1244	19	8	131-156	111	19
13-632	31	43	14-1248	111	7	131-300	79	7
13-632	73	28	14-1248	123	3	131-300	81	10
13-636	39	20	14-1252	125	22	131-366	13	16
13-720	13	104	14-1264	87	6	131-366	131	18
13-720	11	6	14-1272	7	4	131-368	53	9
13-724	21	40	14-1280	7	5	131-368	73	14
13-820	9	39	14-1280	87	4	132-7	63	48
13-820	83	6	14-1288	73	12	132-25	46	45
13-824	43		19-828	123	8	132-26	9	
13-916	13	110	25-106	83	4	132-26	27	14
13-920	65	4	25-108	123	10	132-26	63	38
13-1020	13	111	25-114	37	10	132-46	15	11
13-1028	43		25-114	57	64	132-46	125	15
13-1040	15	6	25-114	63	49	132-48	125	20
13-1060	81	11	25-115	57	68	132-71	63	35
13-1220	13	112	25-115	129	18	132-80	49	
14-68	91	19	25-116	67	87	132-152	51	13
14-412	57	62	25-116	63	22	132-152	111	22
14-512	45	38	25-116	125	12	132-152	127	17
14-516	55	20	25-117	17	19	132-154	123	13
14-516	117	16	25-118	7	11	132-157	119	9
14-520	57	66	25-118	15	16	132-157	121	9
14-524	55	19	25-118	127	13	141-4	63	20
14-524	55	24	25-148	89	11	141-4	63	37
14-528	71	5	25-157	63	17	173-95	47	77
14-612	67	22	25-1110	7	15	193-10	11	79
14-612	73	24	25-1110	13	115	195-21	73	9
14-614	63	43	25-1110	119	6	195-33	105	5
14-616	47	23	25-1112	7	7	195-33	125	16
14-616	63	3	25-1117	75	6	195-45	73	13
14-616	65	4	25-1112	125	8	195-45	115	10
14-632	47	85	25-1516	75	10	195-53	125	5
14-664	111	24	46-826	111	16	217-92	73	6
14-740	17		81-616	63	3	218-446	55	27
14-824	65	9	92-3	67	3	218-456	55	11
14-824	77	10	92-4	37	12	218-456	113	11
14-824	105	4	92-4	43	31	218-456	129	11
14-828	51	6	92-5	41	10	218-459	56	36
14-828	105	12	92-5	129	17	218-483	55	57
14-828	117	2	92-6	11	95	218-488	55	45
14-832	7	9	92-6	47	74	218-493	55	6
14-832	105	9	92-6	125	11	218-493	129	23
14-832	115	17	92-7	13	105	218-536	55	40
14-836	73	15	92-7	31	5	218-1051	87	16
14-856	127	21	92-8	7	10	219-1	77	0
14-872	113	7	92-8	123	9	219-1	119	21
14-872	117	7	92-8	127	12	219-49	75	14
14-872	129	7	92-10	7	14	219-49	61	2
14-1024	75	18	92-10	51	3	219-55	131	19
14-1028	7	13	92-10	119	19	221-11	43	98
14-1028	13		92-12	7	6	221-11	47	
14-1028	79	10	92-12	87	7	221-12	25	
14-1032	119	4	92-12	125	7	221-24	17	20
14-1036	13	13	95-4	43	35	221-24	21	14
14-1036	119		95-6	63	44	221-69	55	30
14-1040	19	6	95-8	117	8	221-106	47	87
14-1048	13	113	95-8	127	11	221-141	73	34
14-1048	75	21	95-12	125	6	221-260	21	17
14-1048	75	27	126-9	31	28	221-367	117	23
14-1066	13		126-12	31	8	221-375	73	15
14-1324	51	9	126-16	9	20	221-376	69	1
14-1228	75	16	126-26	47	70	221-411	67	27
14-1232	125	3	126-66	27	9	221-411	69	5

NUMERICAL INDEX (Continued)

PART NO.	PAGE NO.	REF. NO.	PART NO.	PAGE NO.	REF. NO.	PART NO.	PAGE NO.	REF. NO.
221-413	127	27						
221-421	47							
221-423	127	25						
222-752	69	3						
G35C1A3	13	101						
G11204	31	15						
R2073	31							
R2073	108							
R2074	108							
R2074-020	27							
R2075	27							
R2075	108							
R2075-020	27							
R2075-C30	27							
R2074-C40	27							
R2079	95	4						
R2086	108							
R2087	109							
R2088	108							
R10855	31							
R10856	27							
R10867	111	1						
R10868	111	3						
VT-2017	13	101						
VT-2180	43	25						
VT-2893	82	4						
VT-3208	39	3						
VT-3354	23	83						
VT-3359	27	24						
VT-3364	27	4						
VT-3367	27	5						
VT-3368	27	6						
VT-3370	27	2						
VT-3374	27	32						
VT-3376	27	3						
VT-3394	25							
VT-3694	39	14						
VT-4501	21	34						
VT-4501	23	93						
VT-4508	43	10						
VT-4520	21	72						
VT-4521	23	73						
VT-22152	25							

Printed in U.S.A.

CASE CORPORATION
700 STATE STREET
RACINE, WI 53404 U.S.A.

CASE CANADA CORPORATION
3350 SOUTH SERVICE ROAD
BURLINGTON, ON L7N 3N6 CANADA