

Soosung

Product Catalogue



SOOSUNG LIFT MFG. CO., LTD.

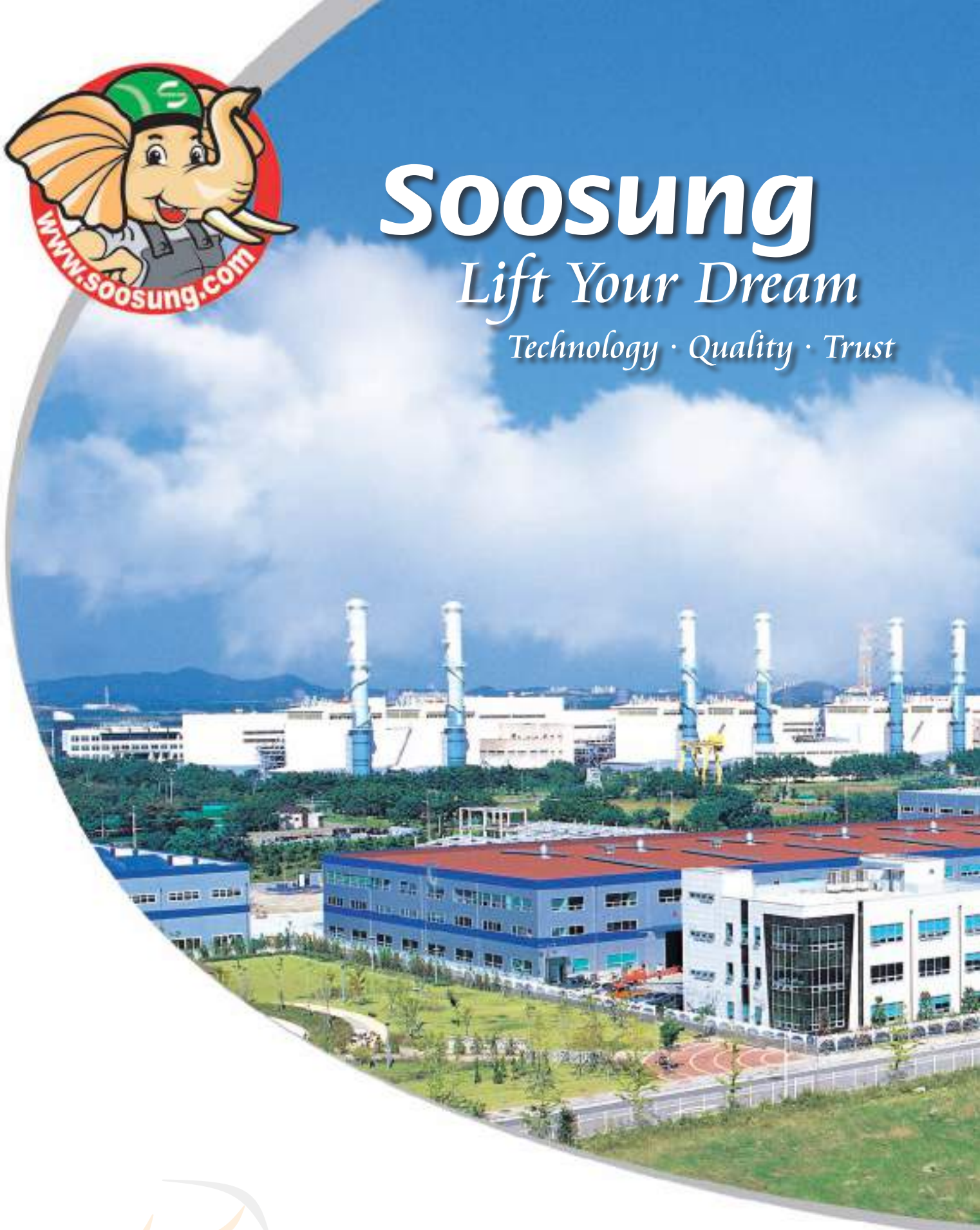
<https://forklift-manuals.jimdofree.com>



Soosung

Lift Your Dream

Technology · Quality · Trust



Contents

Total Moving System

Electric Forklift Truck (SBF-A Series)	4
Electric Forklift Truck (SBF-G Series)	6
Electric Forklift Stand Up Type (SBR Series)	7
Electric Forklift Truck-Walkie Reach Type (SWR Series)	8
Electric Forklift Truck Walkie Type (SWC / SWS Series)	9
Electric Pallet Truck (SWP-1300 / 2000 Series)	10
Electric Pallet Truck (SWP 2500 / 3000 Series)	11
Electric Rider Pallet Mover / Hand Pallet Truck (SRP Series / SHP Series)	12
Electric Tow Tractor (STT / SCT Series)	13
Electric Tow Tractor (SST Series)	14
Electric Platform Truck (SPT Series)	15
Hydraulic Stacker / Electric DC Stacker (SFH Series / SFE Series)	16
Drum Handling Equipment (SDL-300 Series / SDP-300F Series)	17
Electric Self-Propelled Elevating Work Platform (SSL Series)	18

Total Cleaning System

Industrial Scrubber & Sweeper (JS7 / JS5)	20
Industrial Scrubber & Sweeper (S650S / W1100R)	21

Custom Ordered Equipments

22

ELECTRIC FORKLIFT TRUCK



SBF-A SERIES



■ AC Drive Motor

- ▶ With AC Drive motor, powerful acceleration in up-hill drive.

■ Safety

- ▶ With motor and controller protection, drive control is safe.

■ Simple and Easy LCD

- ▶ Any signs will show to the operator to inform the statuses of the vehicle.



■ Specifications

Model		Unit	SBF-15A	SBF-18A	SBF-20A	SBF-25A
Load Capacity		kg	1500	1800	2000	2500
Max. Lifting Height		mm	3000	3000	3300	3300
Tilting Angle		Degrees	6 degrees forward / 12 degrees backward			
Free Lift		mm	155			
Lifting Speed	With / Without Load	mm/sec	270 / 450	270 / 450	280 / 490	260 / 490
Travel Speed	With / Without Load	km/h	16/15	16/15	15/14	15/14
Outside Turning Radius		mm	1930		2065	2065
Grade Clearance (Loaded)		%	17	15	16	15
Overall Length with Fork		mm	3200	3200	3453	3453
Overall Width		mm	1070		1150	
Overhead guard height		mm	2160		2130	
Overall Height Mast Lowered		mm	1995		2150	
Max. Mast height		mm	4030		4330	
Fork Length		mm	35t x 100 x 1070		40t x 122 x 1070	
Load Distance		mm	425		483	483
Weight (Incl. Battery)		kg	3000	3080	4050	4200
Wheel Base		mm	1370		1515	
Tires	Front	-	6.5-10		7.00-12	
	Rear	-	5.00-8		18 x 7-8	
Control	Drive	-	MOSFET (CURTIS BRAND)			
	Hydraulic	-				
Motor	Drive	kw	8.0 (AC)		11.1 (AC)	
	Hydraulic	kw	7.5 (DC)		10.5 (DC)	
Battery		-	48V 400Ah	48V 450Ah	48V 600Ah	
Battery Charger		-	3φ x 220V / 380V / 400V x 50 or 60Hz			

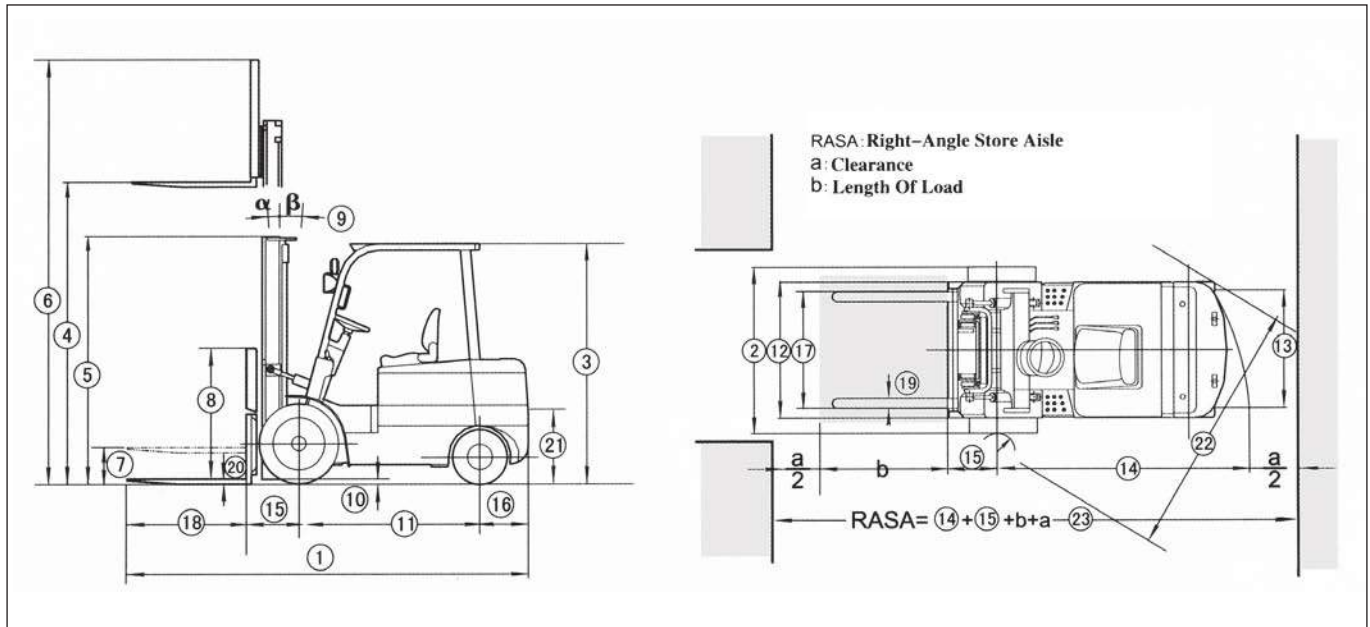
※ The above appearance and specifications are subject to change without prior notice.

ELECTRIC FORKLIFT TRUCK



SBF-A SERIES

■ DRAWING



■ DIMENSION

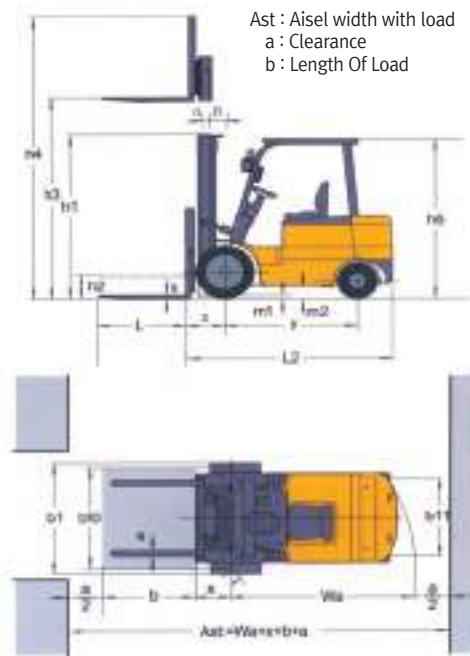
Model	Unit	NO	SBF-15A	SBF-18A	SBF-20A	SBF-25A
Length With Fork	mm	1	3200		3453	
Overall Width	mm	2	1070		1150	
Overhead Guard Height	mm	3	2160		2130	
Lift Height	mm	4	3000		3300	
Mast Lowered Height	mm	5	1995		2150	
Mast Extended Height	mm	6	4030		4330	
Free Lift	mm	7		155		
Backrest Height	mm	8		1000		
Mast Tilt Angle F/R	°	9		6° / 12°		
Ground Clearance	mm	10	110		140	
Wheel Base	mm	11	1370		1515	
Tread (Center Of Tire) Front	mm	12	890		960	
Tread (Center Of Tire) Rear	mm	13	920		950	
Outside Turning Radius	mm	14	1930		2065	
Load Distance	mm	15	425		483	
Rear Overhang	mm	16	335		385	
Fork Extended (Min./Max.)	mm	17	200~950		245~1020	
Fork Length	mm	18	1070		1070	
Fork Width	mm	19	100		122	
Fork Thick	mm	20	35		40	
Connect Link High	mm	21	335		355	
Right Angle Store Aisle	mm	22	1980		2235	
Right Stack Aisle Width (Pallet Size 1000x1000, Clearance 200)	mm	23	3555		3748	3748
Right Stack Aisle Width (Pallet Size 1200x1200, Clearance200)	mm	23	3755		3948	3948

※ The above appearance and specifications are subject to change without prior notice.

ELECTRIC FORKLIFT TRUCK



SRE-G SERIES



Specifications

Specification		MARK	UNIT	CPD30	CPD35	
Performance	Rated Capacity		kg	3000	3500	
	Load Center		mm	500		
	Fork	Max. lifting height	h3	mm	3000	
		Free lift height	h2	mm	145	150
		Lifting Speeds	With load	mm/sec	280	250
			Without load	mm/sec	450	440
		Loweing Speeds	With load	mm/sec	500	500
	Dimensions (LxWxT)		mm	1070 x 125 x 45	1070 x 125 x 50	
	Mast	Tilting angles (forward/backward)	α / β	°	6/10	
		Overall max.lifting height (with backrest)	h4	mm	4182	4177
Height mast retracted (upright)		h1	mm	2075	2180	
Equipment	Max. Traveling speeds	With load	Km/h	15	14.5	
		Without load	Km/h	15.5	15	
	Max. Negotiable Gradient	With load	°(%)	(15)	(12)	
	Outside turning radius	wa	mm	2210	2270	
General Info	Weight		kg	4810	5500	
	Overall length (without forks)	L2	mm	2485	2550	
	Overall width	b1	mm	1225		
	Overall height (overhead guard)	h6	mm	2215		
	Min. ground clearance under mast	m1	mm	135	135	
	Wheel base	y	mm	1680		
	Tread	Front	b10	mm	1055	
Rear		b11	mm	980		
Motor	Drive		Kw	AC 16.6		
	Hydraulic		Kw	DC 13		
Battery	Voltage		V	80		
	Capacity		AH	500		
Tyres	Front		-	28 x 9-15		
	Rear		-	18 x 7-8		

☆ Based on the rated load center.

※ The above appearance and specifications are subject to change without prior notice.

ELECTRIC FORKLIFT STAND UP TYPE



SBR SERIES

Comfortable operation without noise by hydraulic control system.
Smooth speed control for your safe working condition.
Built-in battery exchange unit.



EXPERIENCE THE NEW AC POWER!



Specifications

Model		Unit	SBR-16	SBR-18	SBR-20	SBR-25
Load Capacity ☆		kg	1600	1800	2000	2500
Load Center		mm	500	500	500	500
Max. Lifting Height		mm	3000	3000	3000	3000
Free Lift		mm	340	340	340	340
Lifting Speed (With / Without Load)		mm/s	250/320	250/320	250/320	250/320
Travel Speed (With / Without Load)		km	9.5 / 10.5	9.5 / 10.5	9.5 / 10.5	9.5 / 10.5
Turning Radius		mm	1895	1895	1920	2080
Reach Stroke		mm	620	620	620	620
Overall Length		mm	2377	2377	2403	2513
Overall Width		mm	1090	1090	1140	1140
Overall Height	Overhead Guard	mm	2255	2255	2255	2255
	Mast Lowered	mm	2052	2052	2052	2052
	Mast Lifted	mm	4030	4030	4030	4030
Wheel Base		mm	1542	1542	1542	1542
Fork Length		mm	1030	1030	1030	1030
Weight (Incl. Battery)		kg	2300	2400	2740	2860
Wheel	Front	mm	ure ϕ 250 x 114 x 2EA			
	Rear	mm	ure ϕ 320 x 145 x 1EA			
	Caster	mm	ure ϕ 178 x 74 x 2EA			
Control	Drive	-	F.E.T Control Type			
	Hydraulic	-	F.E.T Control Type			
Motor	Drive	kw	AC 5.3			
	Hydraulic	kw	DC 6.3			
	Steering	kw	0.3 (EPS)			
Battery	Voltage	-	DC48V			
	Capacity	-	201Ah	268Ah (288Ah)	335Ah	
Battery Charger	System	-	Digital			
	Input Power Source	-	3 ϕ x 220V / 380V, 50/60Hz			

☆ Based on the rated load center.

※ The above appearance and specifications are subject to change without prior notice.

ELECTRIC FORKLIFT TRUCK-WALKIE REACH TYPE



SWR SERIES



Smaller warehouses require smaller lift trucks. The SW series walkie stackers are the excellent alternative to bigger forklift trucks in small areas. The compact size of the SW series are highly maneuverable, efficient and easy to use.



► Combined discharge indicator & Hour meter



► Tiller Head and Controls
Easy operation with the tiller in the upright position

■ Specifications

Model	Unit	SWR-1300	SWR-1300L	SWR-1500L
Load Capacity ☆	kg	1300	1300	1500
Load Center	mm	500		
Max. Lifting Height	mm	1500	2500	2500
Gradeability	%	10		
Reach Stroke	mm	550		
Overall Length	mm	2300	2317	2364
Overall Width	mm	1039	1039	1039
Overall Height	mm	1999	1859	1859
Wheel Base	mm	1379	1379	1379
Fork Length & Width	mm	1030 x 100		
Fork Spread Min./Max.	mm	216~740		
Weight (Incl. Battery)	kg	1542	1650	1770
Turning Radius	With / Without footstep	mm		
	Footstep on	mm		
Travel Speed	With / Without Load	km/hr		
		3~4 / 4~5		
Motor	Driving Motor	kw		
	Hydraulic Motor	kw		
Lifting Speed	With / Without Load	mm/sec		
Battery		24V x 268Ah / 5Hr		
Battery Charger		AC1ϕ x 220V, 50 / 60Hz		
Control	Drive	-		
	Hydraulic	-		
		F.E.T Control Type		
		Magnetic Contactor Type		

☆ Based on the rated load center.

※ The above appearance and specifications are subject to change without prior notice.

※ Available up to 3stage, 4500mm.

ELECTRIC FORKLIFT TRUCK WALKIE TYPE



SWC / SWS SERIES

■ Specifications

Model		Unit	SWC-1000	SWC-1000L
Load Capacity ☆		kg	1000	1000
Load Center		mm	400	400
Max. Lifting Height		mm	1500	2500
Gradeability		%	10	10
Overall Length	With footstep	mm	2479	2511
	Without footstep	mm	2395	2427
Overall Width		mm	900	900
Overall Height		mm	1999	1859
Wheel Base		mm	1195	1195
Fork Length		mm	830	830
Fork Spread Min./Max.		mm	216~660	216~660
Weight (Incl. Battery)		kg	1525	1585
Turning Radius		mm	1464	1464
Travel Speed	With Load	km/hr	3~4	
	Without Load	km/hr	4~5	
Motor	Drive	kw	DC 24V x 1.1kw / AC Optional	
	Hydraulic	kw	DC 24V x 2.0kw	
Battery		-	24V x 268Ah / 5Hr	
Battery Charger		-	AC1ϕ x 220V, 50 / 60Hz	
Control	Drive	-	F.E.T Control Type	
	Hydraulic	-	Magnetic Contactor Type	

☆ Based on the rated load center.

※ The above appearance and specifications are subject to change without prior notice.

※ Available up to 2stage, 4000mm.

■ Specifications

Model		Unit	SWS-1000P	SWS-1000LP
Load Capacity ☆		kg	1000	1000
Load Center		mm	500	500
Max. Lifting Height		mm	1500	2500
Gradeability		%	10	10
Overall Length		mm	2102	2122
Overall Width		mm	740	740
Overall Height		mm	2041	1885
Wheel Base		mm	1386	1386
Fork Length		mm	1150	1150
Fork Spread (optional)		mm	550 / 680	550 / 680
Weight (Incl. Battery)		kg	930	1000
Turning Radius		mm	1626	1626
Travel Speed	With Load	km/hr	3~4	
	Without Load	km/hr	4~5	
Motor	Drive	kw	DC 24V x 1.1kw	
	Hydraulic	kw	DC 24V x 2.0kw	
Battery		-	24V x 170Ah / 5Hr	
Battery Charger		-	AC1ϕ x 220V, 50 / 60Hz	
Control	Drive	-	F.E.T Control Type	
	Hydraulic	-	Magnetic Contactor Type	

☆ Based on the rated load center.

※ The above appearance and specifications are subject to change without prior notice.

※ Available up to 2stage, 4000mm.



▲ SWC- 1000



▲ SWS- 1000P

ELECTRIC PALLET TRUCK



SWP-1300 / 2000 SERIES



▲ SWP- 1300

▲ SWP- 2000

Demonstrate the superior ability to work in a small space.

■ Features

- Compact design combined with new technology, making this product ideal for narrow, cramped aisles. The shortest head length among competitors gives the best possible maneuverability.
- Smooth speed control with advanced technology.
- Powerful traction battery.
- DC driving motor.
- Drive unit with electromagnetic brake.
- Battery charger installed (Built-in type)



▶ Combined discharge indicator & Hour meter



▶ Tiller Head and Controls
Easy operation with the tiller in the upright position

■ Specifications

Model		Unit	SWP-1300	SWP-2000
Load Capacity ☆		kg	1300	2000
Load Center		mm	600	600
Max. Lifting Height		mm	205	205
Min. Lifting Height		mm	85	85
Gradeability		%	10	10
Overall Length		mm	1698	1937
Overall Width		mm	688	730
Overall Height		mm	1192	1270
Wheel Base		mm	1140	1150
Fork Width		mm	150	175
Fork Spread		mm	520 or 680	680
Weight	With / Without Battery	kg	240 / 198	570 / 412
Turning Radius		mm	1548	1740
Travel Speed	With / Without Load	km / hr	3~4 / 5~6	3~4 / 5~6
Lifting Speed	With / Without Load	mm / s	15 / 20	70 / 80
Motor	Drive	kw	DC 24V x 0.9kw	DC 24V x 1.1kw
	Hydraulic	kw	DC 24V x 0.8kw	DC 24V x 2.0kw
Battery		-	12V 85Ah (2EA)	24V x 170Ah/5Hr (158kg x 1EA)
Battery Charger		-	1φ x 220V, 50 / 60Hz (Built-in type)	1φ x 220V, 50 / 60Hz
Control	Drive	-	F.E.T Control Type	F.E.T Control Type
	Hydraulic	-	Magnetic Contactor Type	Magnetic Contactor Type

☆ Based on the rated load center.

※ The above appearance and specifications are subject to change without prior notice.

ELECTRIC PALLET TRUCK



SWP 2500 / 3000 SERIES



The most powerful unit in SWP Series.



► Tiller Head and Controls
Easy operation with the tiller in the upright position

■ Specifications

Model		Unit	SWP-2500	SWP-3000
Load Capacity ☆		kg	2500	3000
Load Center		mm	575	575
Max. Lifting Height		mm	205	205
Min. Lifting Height		mm	85	85
Gradeability		%	10	10
Overall Length		mm	2091	2149
Overall Width		mm	750	750
Overall Height		mm	1360	1360
Wheel Base		mm	1150	1150
Fork Spread		mm	680	680
Weight (Incl. Battery)		kg	625	660
Turning Radius		mm	1870	1929
Travel Speed	With / Without Load	km / hr	3~4 / 5~6	
Motor	Drive	kw	DC 24V x 1.1kw / AC Optional	
	Hydraulic	kw	DC24V x 2.0kw	
Battery		-	24V x 170Ah/5Hr	24V x 268Ah / 5Hr
Battery Charger		-	AC1ϕ x 220V, 50 / 60Hz	
Control	Drive	-	F.E.T Control Type	
	Hydraulic	-	Magnetic Contactor Type	

☆ Based on the rated load center.

※ The above appearance and specifications are subject to change without prior notice.

▼ Powder Coating



▼ Fork house modification



▼ Stainless steel fork for Clean room



ELECTRIC RIDER PALLET MOVER / HAND PALLET TRUCK



SRP SERIES

- The best solution for long distance transportation of heavy pallet loads, even in narrow pathways.
- Can be widely used in distribution centers, factories, supermarkets, warehouses and freight terminals.
- Safe, fast and easy operation, for even the untrained operators

Specifications

Model		Unit	SRP-3000
Load Capacity ☆		kg	2200
Lift Height		mm	85~205
Load Center		mm	1209
Fork Length		mm	2419
Turning Radius		mm	2955
Wheel Base		mm	2387
Overall Length		mm	3568
Overall Height		mm	1432
Overall Width		mm	906
Cylinder		mm	∅70 x 125st
Lifting Speed	With / Without Load	mm/sec	70 / 80
	Drive	-	DC 24V x 1.1kw
Motor	Hydraulic	-	DC 24V x 2.0kw
Battery		-	24V x 268Ah / Hr
Battery Charger		-	AC1∅ x 220V, 50 / 60Hz
Color		-	STANDARD

☆ Based on the rated load center.
 ※ The above appearance and specifications are subject to change without prior notice.



SHP SERIES



※ Customized order is only available with S-Type .



Specifications

Model	UNIT	SHP-1500	SHP-2500	SHP-3500	SHP-1500	SHP-2500
		S-Type			C-Type	
Load Capacity	kg	1500	2500	3500	1500	2500
Max. Fork Height	mm	205	205	205	205	205
Min. Fork Height	mm	85	85	85	85	85
Length	mm	1430	1530	1600	1430	1530
Width	mm	550	680	680	550	680
Height	mm	1200	1200	1200	1200	1200
Fork length	mm	1050	1140	1200	1050	1140
Fork width	mm	550	680	680	550	680
Weight	kg	85	90	130	85	90

※ The above appearance and specifications are subject to change without prior notice.

ELECTRIC TOW TRACTOR



STT / SCT SERIES

The STT and the SCT are ideal choices wherever large quantities of goods have to be moved. Soosung Tow Tractors can easily transport goods from one point to another.

▼ STT-2000



▼ SCT-2000N



■ Specifications

Model		Unit	STT-2000	SCT-2000N
Towing Capacity		kg	2000	2000
Towing Power		kg	50	50
Drawbar Height (Lifted / Lowered)		mm	325 / 200	290 / 181
Drawbar		mm	∅30 x 60L	∅30 x 60L
Gradeability		%	10	10
Overall Length		mm	1385	1565
Overall Width		mm	750	750
Overall Height		mm	1390	1458
Weight		kg	680	630
Turning Radius		mm	1150	1260
Travel Speed	With / Without Load	km/hr	4~5 / 5~6	3~4 / 5~6
Motor	Drive	kw	DC 24V x 1.1kw	
	Hydraulic	kw	DC24V x 2.0kw	
Battery		-	24V x 170Ah / 5Hr	
Battery Charger		-	AC1∅ x 220V, 50 / 60Hz	
Control	Drive	-	F.E.T Control Type	
	Hydraulic	-	Magnetic Contactor Type	

※ The above appearance and specifications are subject to change without prior notice.

※ Option added, delivery will be changed.

▼ For clean room



▼ In textile company



▼ Sit-down type SCT



ELECTRIC TOW TRACTOR



SST SERIES



▲ SST-4000 (3-wheel)

- Suitable for large volumes and various types of cargo transportation.
- Suitable for trailer, bulky and heavy cargo (load) as well.
- Easy operation, even for the inexperienced operator.
- Electrically powered cart, using AC motor, enables the users to enjoy a non-polluting noise free and pleasant working condition.
- SST-4000 & SST-6000 EPS (Electric Power Steering) system available.



SST-8000 (4-wheel) ►

■ Specifications

Model		Unit	SST-4000	SST-6000	SST-8000	SST-12000	
Steering System		kg	EPS (Optional)	EPS (Optional)	HPS	HPS	
Towing Load		kg	4000	6000	8000	12000	
Towing Power		kg	100	150	200	300	
Hook Height		mm	290	290	325	350	
Overall Length		mm	2277	2436	2443	2320	
Overall Width		mm	1100			1154	
Overall Height		mm	1458	1458	1585	1594	
Weight		kg	1260	1436	1723 / 1742	2320	
Wheel Base		mm	1398	1532	1384	1350	
Turning Radius		mm	1724	1858	2593 / 2660	2131	
Travel Speed	With / Without Load	km/hr	6 / 10	6 / 10	8 / 12	8 / 12	
Driving Motor		kw	AC 30V, 5.3kw	AC 30V, 5.3kw	DC48V, 5kw / AC 30V, 8kw	DC48V, 10.3kw	
Hydraulic Motor (Steering)		kw	N/A			DC48V, 6.3kw	DC48V, 6.3kw
Battery	Capacity	-	48V x 201A/5HR	48V x 335A/5HR	48V x 320A/5HR	48V x 500A/5HR	
Charger	Power	-	AC1ϕ x 220V, 60Hz	AC1ϕ x 220V, 60Hz	AC1ϕ x 220V, 60Hz	AC1ϕ x 220V, 60Hz	
Control System		-	F.E.T Control Type				
Tire	Type	-	Solid Tire	Solid Tire	Pneumatic Tire	Pneumatic Tire	
	Front	(no.)	ϕ343 x 140 (1)	ϕ343 x 140 (1)	5.00-8 (2)	500-8 10PR (2)	
	Rear	(no.)	4.00-8 (2)	5.00-8 (2)	6.50-10PR (2)	7.00-12-12 PR (2)	

※ Option added, Price and Delivery will be changed.

※ Subject to change without prior notice

▼ The previous SST model

▼ Cabin with warning light

▼ Lift-type towing hook

▼ Cabin installed

▼ Cabin installed



ELECTRIC PLATFORM TRUCK



SPT SERIES

The SPT platform truck and tow tractor are ideal choices wherever large quantities of goods have to be moved. Soosung Platform Trucks can easily transport goods from one point to another.



▲ SPT-1000 (3-wheel)



▲ SPT-2000 (3-wheel)

■ Specifications

Model		Unit	SPT-1000 (3Wheel)	SPT-2000 (3Wheel)
Load Capacity		kg	1000	2000
Cargo Deck	Length	mm	1700	1400
	Width	mm	1140	1100
	Height	mm	454	550
Overall Length		mm	3115	3031
Overall Width		mm	1140	1170
Overall Height		mm	1898	1480
Weight		kg	782	1383
Wheel Base		mm	2007	1982
Turning Radius		mm	2689	2308
Travel Speed	With / Without Load	km/hr	10 / 15	6 / 10
Driving Motor		kw	DC 48, 3.9kw	AC 30V, 5.3kw
Battery		-	48V (6 x 8V 190Ah)	DC48V x 201Ah/5Hr
Battery Charger		-	AC1ϕ x 220V, 50 / 60Hz	AC1ϕ x 220V, 50 / 60Hz
Control System		-	F.E.T Control Type	F.E.T Control Type
Tire	Type	-	Solid Tire	Solid Tire
	Front	(no.)	4.00-8 (1)	ϕ343 x 140 (1)
	Rear	(no.)	4.00-8 (2)	5.00-8 (2)

※ The above appearance and specifications are subject to change without prior notice.

※ Option added, delivery will be changed.

▼ Crane attached Hyundai Powertec



▼ Cabin installed



▼ Reel pump & hose installed



HYDRAULIC STACKER / ELECTRIC DC STACKER



SFH SERIES

SFH helps you to perform the jobs safely and quickly in narrow spaces.



■ Specifications

Model	Unit	SFH-500	SFH-1000
Load Capacity ☆	kg	500	1000
Load Center	mm	350	
Lifting Height	mm	1500	
Fork Length	mm	700	
Overall Length	mm	1126	1124
Overall Width	mm	878	1028
Overall Height	mm	1950	2040
Fork Spread (Min/Max)	mm	162~840	219~990
Outside Straddle Width	mm	650	700
Wheel	Front	mm ϕ 80	
	Rear (Rotating)	mm ϕ 150	
Weight	kg	150	220

☆ Based on the rated load center.

※ The above appearance and specifications are subject to change without prior notice.

SFE SERIES



■ Specifications

Model	Unit	SFE-500	SFE-500L	SFE-1000	SFE-1000L
Load Capacity ☆	kg	500		1000	
Load Center	mm	350			
Lifting Height	mm	1500	2500	1500	2500
Fork Length	mm	700			
Overall Length	mm	1260		1314	
Overall Width	mm	878	860	1028	910
Overall Height	mm	2030	1890	2040	1900
Fork Spread (Min/Max)	mm	162~840	162~670	216~990	216~670
Outside Straddle Width	mm	650	850	700	900
Battery		12V x 100Ah / 5Hr		12V x 140Ah / 5Hr	
Battery Charger		1 ϕ x 220V x 50 / 60Hz			
Wheel	Front	mm ϕ 80			
	Rear (Rotating)	mm ϕ 200			
Weight	kg	240	280	320	340

☆ Based on the rated load center.

※ The above appearance and specifications are subject to change without prior notice.

DRUM HANDLING EQUIPMENT



SDL-300 SERIES



◀ SDL-300E Series

■ Specifications

Model	Unit	SDL-300H	SDL-300HL	SDL-300E	SDL-300EL
Load Capacity	kg	300		300	
Max. Drum Lifting Height		1470	2460	1470	2460
Drum Size	mm	φ600x900L		φ600x900L	
Drum Turning Angle	mm	360		360	
Overall Length	mm	1390		1407	
Overall Width	mm	1080	1095	1080	1095
Overall Height	mm	2065	1990	2065	1990
Wheel	Front	φ250		φ250	
	Rear (Rotating)	φ150		φ200	
Battery		N / A		12V x 100Ah / 5Hr	
Battery Charger		(Manual Type)		1φ x 220V x 50/60Hz	
Weight	kg	205	250	250	300

※ The above appearance and specifications are subject to change without prior notice.

SDP-300F SERIES



▼ Clamping



▼ Clamping and Lifting by Footstep



■ Specifications

Model	Unit	SDP-300F	SDP-300FS
Load Capacity	kg	300	300
Max. Drum Lifting Height	mm	310~330	370~390
Drum Size	mm	φ600x900L	
Overall Length	mm	1061	1100
Overall Width	mm	892	892
Overall Height	mm	1135	1185
Wheel	Front	φ250	
	Rear (Rotating)	φ150	
Weight	kg	90	100

※ The above appearance and specifications are subject to change without prior notice.

ELECTRIC SELF-PROPELLED ELEVATING WORK PLATFORM



SSL SERIES

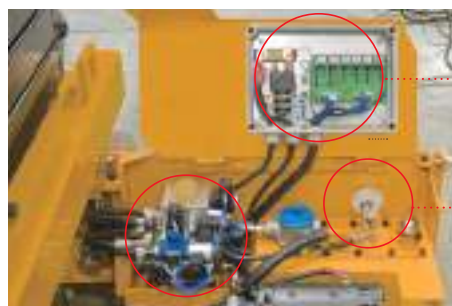


▲ SSL-3370
Max. Platform Height 10M
(Max. Working Height 12M)

Designed for working in the high places such as building maintenance, machinery maintenance, construction, cleaning, and photography / cinematography / broadcasting shooting. Soosung's electric scissor lifts provide the most stable work platform for various applications.

■ SSL- 1932/ 2646/ 3370

- Roll-out deck extension (Standard)
- Tight turning radius
- 110/220 volt AC outlet on platform
- 24V battery and built-in battery charger
- Automatic parking brake
- One-hand joystick with proportional controls
- Emergency stop switch & Manual lowering valve



▶ Hydraulic Valve

- Hydraulic and electric control system
- Control box designed for easy maintenance



▶ Electric Control System



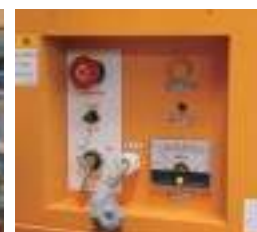
▶ Emergency Lowering Valve



▶ Drum Brake applied



▶ Joystick provides precise and simultaneous travel control



· Battery	· Built-in Charger	· Safety Level Sensor	· Electric Outlet Socket

ELECTRIC SELF-PROPELLED ELEVATING WORK PLATFORM



SSL SERIES



SSL-1932 ▶
Max. Platform Height 5.8M
(Max. Working Height 7.8M)



◀ SSL-2646
Max. Platform Height 7.9M
(Max. Working Height 9.9M)

■ Specifications

Model		SSL-1432	SSL-1932	SSL-2046	SSL-2646	SSL-3370	SSL-4070
Height	Working:Max	6.49m	7.8m	8.07m	9.9m	12m	14m
	Platform:Max	4.49m	5.8m	6.07m	7.9m	10m	12m
	Platform:Min	0.9m	1.02m	1.02m	1.16m	1.65m	1.87m
	Guardrail Height	1.1m	1.1m	1.1m	1.1m	1.1m	1.1m
Overall Length		1.85m	1.85m	2.39m	2.39m	3.51m	3.51m
Overall Width		0.82m	0.82m	1.17m	1.17m	1.73m	1.73m
Platform	Size (L x W)	0.73 x 1.6m		1.14 x 2.16m		1.49 x 3.29m	
	Length of Ext. Platform	0.85m	0.85m	0.85m	0.85m	1.2m	1.2m
Load Capacity	Main Platform	270kg	227kg	450kg	390kg	600kg	300kg
	Ext. Platform	113kg	113kg	136kg	136kg	156kg	156kg
Wheelbase		1.32m		1.73m		2.55m	
Wheel Tread		0.72m		1.04m		1.48m	
Ground Clearance		0.08m		0.08m		0.15m	
No. of boarding allowed /Person(80kg.)		1		2		3	
Turning Radius	Inside Curve	1.44m		2.12m		3.22m	
	Outside Curve	1.74m		2.74m		4.3m	
Travel Speed	Elevated	0.8km/Hr		0.8km/Hr		0.9km/Hr	
	Low	2km/Hr		1.8km/Hr		0.9km/Hr	
	High	3km/Hr		2.5km/Hr		2.8km/Hr	
	Gradeability	20%					
Lift/Lower Speed (Max Load)		20/48 Sec	25/52 Sec	40/54 Sec	49/56 Sec	60/50 Sec	63/54 Sec
Battery		24V (4 x 6V 220Ah)		24V (8 x 6V 220Ah)		24V (8 x 6V 220Ah)	
Battery Charger		1 Ø x 220V, 50 / 60Hz (30amp)		1 Ø x 220V, 50 / 60Hz (40amp)		1 Ø x 220V, 50 / 60Hz (40amp)	
Tire (Solid Tires)		3.00-8		4.00-8		27 x 10 - 12	
Drive System		Hydraulic Front-drive		Hydraulic Front-drive		DC Geared Motor Rear-drive	
Brake		Hydraulic					
Weight (Incl. Battery)		1,204kg	1,267kg	2,174kg	2,375kg	3,970kg	4,200kg

※ The above appearance and specifications are subject to change without prior notice.

INDUSTRIAL SCRUBBER & SWEEPER



JS7

RIDE-ON SCRUBBER (CYLINDER BRUSH TYPE)

- Cylinder fitted with a brush and dust tray, wet and dry cleaning is available at the same time.
- Excellent cleaning ability by attaching two powerful suction motors and cylinder brush.
- Brush selection is available in accordance with the floor type.
- Equipped with non-marking tires.



Lithium battery option available in all models.

Specifications

Technical Data		Unit	JS7
Battery	Voltage	V	36 (6V X 6EA)
	Capacity	Ah	420
Motor Power	Traction	W	1,400
	Brush	W	1,600 (800 X 2EA)
	Vacuum	W	1,120 (560 X 2EA)
Productivity Rate		m ² /h	8,250
Working Width		mm	1,100
Suction Width		mm	1,300
Max. Speed		km/h	7.5
Running Time		h	3 (420Ah Battery)
Tank Capacity	Solution	ℓ	270
	Recovery	ℓ	270
Cylinder Brush Diameter		mm	220 X 2EA
Brush Speed		rpm	600
Dimension (L X W X H)		mm	1,915 x 1,300 x 1,415
Weight w/o Battery		kg	350
Weight w/ Battery		kg	690

※ The above appearance and specifications are subject to change without prior notice.

JS5

RIDE-ON SCRUBBER

- Vertical type traction provides motor protection and durability.
- Select 3 different types of brush is available by the floor type.
- Brush selection is available with 3 types in accordance with the floor type.
- Equipped with non-marking tires.
- Eco-friendly brush disk.



Lithium battery option available in all models.

Specifications

Technical Data		Unit	JS5
Battery	Voltage	V	36 (6V X 6EA)
	Capacity	Ah	315
Motor Power	Traction	W	1,200
	Brush	W	1,200
	Vacuum	W	560
Productivity Rate		m ² /h	6,300
Working Width		mm	840
Suction Width		mm	930
Sound Pressure Level		dB(A)	75
Max. Speed		km/h	7.5
Running Time		h	3 (315Ah Battery)
Tank Capacity	Solution	ℓ	140
	Recovery	ℓ	140
Brush Diameter		mm	410 X 2EA
Max. Brush Pressure		kg	100
Brush Speed		rpm	250
Dimension (L X W X H)		mm	1,680 x 930 x 1,350
Weight w/o Battery		kg	240
Weight w/ Battery		kg	500

※ The above appearance and specifications are subject to change without prior notice.

INDUSTRIAL SCRUBBER & SWEEPER



S650S

STAND-ON SCRUBBER

- Vertical type traction proves motor protection and durability.
- Brush selection is available with 3 types in accordance with the floor type.
- Brush Deck and Squeegee Deck in Stainless to improve corrosion resistance.
- Equipped with non-marking tires.
- Eco-friendly brush disk.



Lithium battery option available in all models.

Specifications

Technical Data		Unit	S650S
Battery	Voltage	V	36 (12V X 3EA)
	Capacity	Ah	215
Motor Power	Traction	W	600
	Brush	W	400
	Vacuum	W	560
Productivity Rate		m ² /h	4,080
Working Width		mm	680
Suction Width		mm	860
Max. Speed		km/h	6
Running Time		h	3 (215Ah Battery)
Tank Capacity	Solution	ℓ	110
	Recovery	ℓ	110
Brush Diameter		mm	340 X 2EA
Brush Pressure		kg	60
Brush Speed		rpm	250
Dimension (L X W X H)		mm	1,385 x 875 x 1,390
Weight w/o Battery		kg	170
Weight w/ Battery		kg	340

※ The above appearance and specifications are subject to change without prior notice.

W1100R

RIDE-ON SWEEPER

- Vertical type traction provides motor protection and durability.
- Equipped with HEPA filter reduces scattering dust.
- Equipped with non-marking tires.
- Reduces cleaning time in large areas with 2 side brushes.



Lithium battery option available in all models.

Specifications

Technical Data		Unit	W1100R
Battery	Voltage	V	36 (12V X 3EA)
	Capacity	Ah	215
Motor Power	Traction	W	1,200
	Brush	W	500
	Vacuum	W	560
Productivity Rate		m ² /h	8,800
Working Width		mm	1,100
Max. Speed		km/h	8
Running Time		h	3 (215Ah Battery)
Filter Area		m ²	3.5
Tank Capacity		ℓ	60 (30 X 2EA)
Main Brush Diameter		mm	590
Side Brush Diameter		mm	400 X 2EA
Brush Speed		rpm	550
Dimension (L X W X H)		mm	1,850 x 1,010 x 1,260
Weight w/o Battery		kg	250
Weight w/ Battery		kg	415

※ The above appearance and specifications are subject to change without prior notice.

CUSTOM ORDERED EQUIPMENTS



1	2	3	4	5	6
	7	8	9	10	11
12	13	14	15	16	17
18	19	20	21	22	
23	24	25	26	27	28
29	30	31	32	33	34
	35	36	37	38	39
40	41	42	43	44	
45	46	47	48	49	50
51	52	53	54	55	

CUSTOM ORDERED EQUIPMENTS



56	57	58	59	60	61
	62	63	64	65	
66	67	68	69	70	71
72	73	74		75	76
77	78	79	80	81	82
83	84	85	86	87	88
89	90	91	92	93	94
	95	96	97	98	99
100	101	102	103	104	105
106	107	108	109	110	111

World-Wide Export



The World's Best Technology & Quality

ARGENTINA	CHINA	GUATEMALA	KUWAIT	OMAN	SINGAPORE	UKRAINE
ARMENIA	COLOMBIA	INDIA	LEBANON	PAKISTAN	SPAIN	UZBEKISTAN
AUSTRALIA	COSTA RICA	INDONESIA	LIBYA	PANAMA	SRI LANKA	VENEZUELA
BANGLADESH	CYPRUS	IRAN	MALAYSIA	PERU	SYRIA	VIETNAM
BELARUS	DENMARK	ISRAEL	MEXICO	PHILIPPINES	TAIWAN	
BRAZIL	EGYPT	ITALY	MYANMAR	PORTUGAL	THAILAND	
CAMBODIA	EL SALVADOR	JAPAN	MOLDOVA	QATAR	TURKEY	
CANADA	FRANCE	JORDAN	NICARAGUA	RUSSIA	U.A.E.	
CHILE	GERMANY	KAZAKHSTAN	NIGERIA	SAUDI ARABIA	U.S.A.	



SOOSUNG LIFT MFG. CO., LTD.

Head office · Factory : 46-39, Robotland-Ro, 249 Beon-Gil, Seo-Gu, Incheon, Korea (Gyeongseo-Dong)

TEL : 82-32-820-5137 FAX : 82-32-582-7513

website : www.soosung.com

e-mail : soosung@soosung.com

<https://forklift-manuals.jimdofree.com>