



台勵福

PARTS LIST

零件手冊

*FD/FG 15/18/20/25/30/35*

*TCP/FL 15/18/20/25/30/35*



台勵福7L/TCP系列堆高機

Tailift 7L/TCP Series Forklift Trucks

---

TAILIFT CO., LTD.

DEC044/13 2012

# 零件手冊使用說明

## INTRODUCTION

一. 本零件手冊適用於台勵福(股)公司所生產之1.5~3.5噸之FD\FG\FD(C)\FG(C)\LPG 7L系列堆高機。

編制如下：系統索引、組件索引、編號、新碼、舊碼、規格、零件互換性、應用日期、數量、適用機型、機號等，以使用戶做為識別或更換零件時之參考依據。

I. This part manual is Tailift Company Forklift Trucks of Model FD\FG\FD(C)\FG(C)\LPG 7L Series 1.5~3.5 ton. It is categorized as index No, ASSY No., Part No., Old Part No., Part Name, Specification, changeable, applied date, Q' TY, Model, Series Number, and Reference.

二. 用戶欲訂購或更換零(組)件時，請務必詳細說明以下各項明細：

1. 堆高機之機種型式、編號及製造日期。
2. 零(組)件之零件號碼及詳細名稱、數量。
3. 交貨之相關需求、交貨方式及交貨地點。

II. As placing parts orders. Please specify details of the following items.

1. Model, serial numbers and dates of manufacturing.
2. Parts number, parts name, and quantity.
3. Delivery requirements.

三. 用戶欲訂購或更換零(組)件時，請務必使用《台勵福之原廠零件》非使用《台勵福之原廠零件》做為更換或維修之用，則其機器發生，將不在台勵福(股)公司之品質保證範圍內。

III. Be sure to use 《Tailift genuine parts》 when purchasing or replacing parts. If non-《Tailift genuine parts》 are used for replacement or maintenance, forklift failure is not under our quality warranty.

四. 本手冊為最新版『零件手冊』，其中包含所有已設變、增修、刪改手冊內容及說明。

IV. The latest version covers the history of version in the old versions.

五. 舊版零件手冊已不適用於目前台勵福(股)公司所生產之各系列堆高不再使用所有舊版零件手冊做為參考依據。

V. We cannot meet the request for the old versions because they are out of use.

六. 本手冊依據中華民國101年01月後出廠編制，日後產品結構及相關零件，若有設變修改時，本手冊將再版補充。

VI. This parts manual is applicable to models manufactured after January 2012. If there is any modification, we will issue a new edition.

七. 編制者經歷有限，手冊內容雖經再三校對，但疏漏繆誤之處在所難祈諸位同業先進不吝指正，俾再版時得以修訂，不勝感幸！

VII. Due to my limited experience, though having revised repeatedly, I am afraid that still some errors exist. Therefore I wish those advancer would be so generous as giving me any corrections needed, so as that next publication of this manual could reach more perfect. I am very grateful for your help.

八. 查詢正確的零件號碼、名稱……等

IX Locating part number, part name.

A: 查詢零件號碼(當已知零件名稱、外觀、使用位置等)

A: To know part number

(When the shape, name and location of part are known.)

準備適用於『待查詢零件』之零件手冊及該項零件樣品  
Prepare “parts manual” for applicable model.



找出相關之機構系統圖或零件明細頁  
Find out relevant page by illus. index or table of contents.



確認零件樣品是否與機構系統圖上相符  
Identify shape of part with illustrations.



找出『待查詢零件』在機構系統圖上之相關裝配位置及所使用之編號  
Locate item No. of parts list section using item No. in illustration.



將機構系統圖上所使用之編號對照零件明細頁即可看到待查詢之零件號碼  
Confirm serial No. in machine drawing to know part number

B: 查詢零件名稱、外觀、使用位置等(當已知零件號碼)

B: To know part name, shape and location

(When part number is know)

翻至零件號碼索引頁即可得知頁次  
Part number reference please turn at back  
of manual for corrected page.



找出此零件號碼之相關機構系統圖或零件明細頁  
Locate relevant page or machine drawing



確認零件手冊上之零件號碼即可知零件名稱及使用  
數量或適用機型  
Confirm part No. by parts list. To know  
part name, quantity, and applicable.



將零件明細頁上之零件編號對照機構系統圖上所  
使用之編號即可知零件外觀及使用位置  
Confirm part No. by parts list. To know  
part shape and location.

九. 正確的使用零件明細(表)頁

IX. How to use parts list.

前輪軸

A302-1

DRIVE AXLE

B

前輪軸系統

A302

DRIVE AXLE SYSTEM

A

編號 NO.	零件名稱 PART NAME C													機號	備註 REMARK																	
	新碼 NEW PART NO.	舊碼 OLD PART NO.	規格 SPECIFICA TION	互換性 I T C	應用日期 APPLIED DATE	數量 Q T Y	FD			FG			FD〔C〕			FG〔C〕																
							1	1	2	2	3	3	1	1	2	2	3	3	1	1	2	2	3	3	1	1	2	2	3	3		
							5	8	0	5	0	5	5	8	0	5	0	5	5	8	0	5	0	5	5	8	0	5	0	5		
							A	B	C	D	E	F	G	H	I	J	K	L	M	N	O	P	Q	R	S	T	U	V	W	X		

D E F G H I J K L M

註解A：機構名稱。

Note A：Mechanism name.

註解B：組件名稱。

Note B：Part unit.

註解C：各零(組)件之名稱。

Note C：Part name.

註解D：機構系統圖上所使用之編號。

Note D：Serial No. In machine drawing.

註解E：新零件號碼。

Note E：New Part NO.

註解F：舊零件號碼。新、舊碼可互相對照，但客戶需以新零件號碼為基準。

Note F：Old part NO. Old part number can be contrast with the new part number. Please use new part number list for standard.

註解G：市購件規格。

Note G：Specification.

註解H：新、舊零件可互換性。

Note H：Old and new part is changeable.

註解I：此零件啟用日期。

Note I：Applied date.

註解J：各單元機構所需使用之數量(皆以一台份計之)。

Note J：Quantity.

註解K：各零(組)件之適用機型。

Note K：Part for applicable model.

註解L：啟用車台號碼。

Note L：Body No.

註解M：備註。

Note M：Remark.

# 機構排序

## MECHANISM ORDER

順序 I	大機構 SYSTEM	小機構 ASSY
A301	變速箱系統 TRANSMISSION SYSTEM	A301-1手排變速箱組 (MT)TRANSMISSION
		A301-2手排撥桿組 (MT)GEARSHIFT LEVER ASSY
		A301-3手排傳動齒輪組 (MT)TRANSMISSION GEAR SET
		A301-4手排差速器組 (MT)DIFFERENTIAL ASSY
		A301-5手排離合器箱組 (MT)CLUTCH HOUSING
		A301-6自排差速器組 (AT)DIFFERENTIAL ASSY
		A301-7自排變速齒輪箱組 (AT)TRANSMISSION GEAR BOX
		A301-8自排變速箱體組 (AT)TRANSMISSION CASE ASSY
		A301-9自排油泵組 (AT)TRANSMISSION OIL PUMP
		A301-10自排離合器組 (AT)TRANSMISSION CLUTCH ASSY
		A301-11自排控制閥組 (AT)CONTROL VALVE ASSY
A301-11A電子式自排控制閥組 (AT)ELECTRIC CONTROL VALVE		
A302	前輪軸系統 DRIVE AXLE SYSTEM	A302-1前輪軸 DRIVE AXLE
		A302-2煞車襯板組 WHEEL BRAKE ASSY
		A302-3輪胎組 TIRE ASSY
A303	轉向系統 STEERING SYSTEM	A303-1後輪樑組 STEERING AXLE ASSY
		A303-2轉向油壓缸組 STEERING CYLINDER
		A303-3懸吊組 STEERING WHEEL
		A303-4油壓方向機 POWER STEERING

# 機構排序

## MECHANISM ORDER

順序 I	大機構 SYSTEM	小機構 ASSY
A304	引擎系統 ENGINE SYSTEM	A304-1引擎組 ENGINE ISUZU C240
		A304-1A引擎組 ENGINE ISUZU 4JG2-PE.4JG2PJ03.4CG2
		A304-1B引擎組 ENGINE NISSAN H20.H25
		A304-1C引擎組 ENGINE GM3.0
		A304-1D引擎組 ENGINE NISSAN K21.K25
		A304-1E引擎組 ENGINE YANMAR 4TNE92-BRTL.4TNE98-URTL
		A304-1O引擎組 ENGINE Perkins 404D-22T
		A304-2散熱器組 RADIATOR
		A304-2A散熱器組 RADIATOR GM3.0
		A304-2B散熱器組 RADIATOR Perkins 404D-22T
		A304-3消音器組 EXHAUST
		A304-3A消音器組 EXHAUST GM3.0
		A304-3D消音器組 EXHAUST Perkins 404D-22T
		A304-4空氣濾清器組 AIR CLEANER
		A304-4A空氣濾清器組 AIR CLEANER GM3.0
		A305
A305-1D車身與配件組 CAR BODY & FITTING (7L II)		
A305-2引擎蓋與配重組 ENGINE HOOD & COUNTERWEIGHT		
A305-2D引擎蓋與配重組 ENGINE HOOD & COUNTERWEIGHT (7L II)		
A305-3駕駛座椅組 DRIVER SEAT		
A305-4加速器連桿組 ACCELERATOR LINK		



# 機構排序

## MECHANISM ORDER

順序 I	大機構 SYSTEM	小機構 ASSY
A306	制動系統 BRAKE SYSTEM	A306-1手煞車組 PARKING BRAKE
		A306-2手排臥式煞車組 (MT)HORIZONTAL-BRAKE PEDAL ASSY
		A306-3自排臥式含煞車輔助器組 (AT)HORIZONTAL-BRAKE AUXILIARY ASSY
		A306-3A自排臥式煞車組 (AT)HORIZONTAL-BRAKE PEDAL ASSY
A307	操縱系統 CONTROL SYSTEM	A307-1自排排檔開關組 (AT)SHIFT LEVER SWITCH
		A307-1A電子式自排排檔開關組 (AT)ELECTRIC SHIFT LEVER SWITCH
		A307-1C電子式自排排檔開關組 (AT)ELECTRIC SHIFT LEVER SWITCH (7L II)
		A307-2操作桿組 LINKAGE LEVER ASSY
A308	升降系統 MAST SYSTEM	A308-1二截式桅桿配件組 MAST FITTING (DUPLX)
		A308-1A二截式貨櫃型桅桿配件組 MAST FITTING (FULL FREE)
		A308-1B三截式桅桿配件組 MAST FITTING (TRIPLEX)
		A308-2滑軌組 MAST ASSY
		A308-3傾斜缸組 TILT CYLINDER
		A308-4二.三截式升降缸組(右) LIFT CYLINDER (DUPLX&TRIPLEX)(R.H.)
		A308-4A二.三截式升降缸組(左) LIFT CYLINDER (DUPLX&TRIPLEX)(L.H.)
		A308-4B二.三截式貨櫃型油壓缸組 LIFT CYLINDER (FULL FREE&TRIPLEX)
		A308-4C二截式貨櫃型升降缸組(右) LIFT CYLINDER (FULL FREE)(R.H.)
		A308-4D二截式貨櫃型升降缸組(左) LIFT CYLINDER (FULL FREE)(L.H.)
		A308-5二截式升降缸配管組 LIFT CYLINDER FITTING (DUPLX)
		A308-5A二截式貨櫃型升降缸配管組 LIFT CYLINDER FITTING (FULL FREE)
A308-5B三截式升降缸配管組 LIFT CYLINDER FITTING (TRIPLEX)		

# 機構排序

## MECHANISM ORDER

順序 I	大機構 SYSTEM	小機構 ASSY
A308	升降系統 MAST SYSTEM	A308-6二截式貨叉架組 LIFT BRACKET (DUPLEX)
		A308-6A二.三截式貨櫃型貨叉架組 LIFT BRACKET (FULL FREE&TRIPLEX)
		A308-7油壓管路組 HYDRAULIC LINE
		A308-7A油壓管路組 HYDRAULIC LINE GM3.0
A309	附件系統 ACCESSORY SYSTEM	A309-1儀錶與開關 METER & SWITCH
		A309-2工具箱組 TOOLS BOX ASSY
		A309-3銘牌與貼紙 PLATE & STICKER
A310	選配配件系統 CHOOSE ACCESSORY SYSTEM	A310-1側移組 SIDE SHIFT
		A310-2傾卸組 HINGED FORK
		A310-3二截式側移配管組 HOSE & ROLL FOR SIDE SHIFT (DUPLEX)
		A310-3A二截式貨櫃型側移配管組 HOSE & ROLL FOR SIDE SHIFT (FULL FREE)
		A310-3B三截式側移配管組 HOSE & ROLL FOR SIDE SHIFT (TRIPLEX)
		A310-3C二截式傾卸配管組 HOSE & ROLL FOR HINGED FORK (DUPLEX)
		A310-3D二截式貨櫃型傾卸配管組 HOSE & ROLL FOR HINGED FORK (FULL FREE)
		A310-3E三截式傾卸配管組 HOSE & ROLL FOR DHINGED FORK (TRIPLEX)
		A310-3F三截式四排配管組 HOSE & ROLL OF FOUR-ROW (TRIPLEX)
		A310-3G二截式四排配管組 HOSE & ROLL OF FOUR-ROW (DUPLEX)
		A310-3H二截式貨櫃型四排配管組 HOSE & ROLL OF FOUR-ROW (FULL FREE)
		A310-4選附配件組 CHOOSE ACCESSORY OVERALL
		A310-4A選附座艙組 CHOOSE ACCESSORY COCKPIT
		A310-5立式向上排氣管組 EXHAUST PIPE

# 機構排序

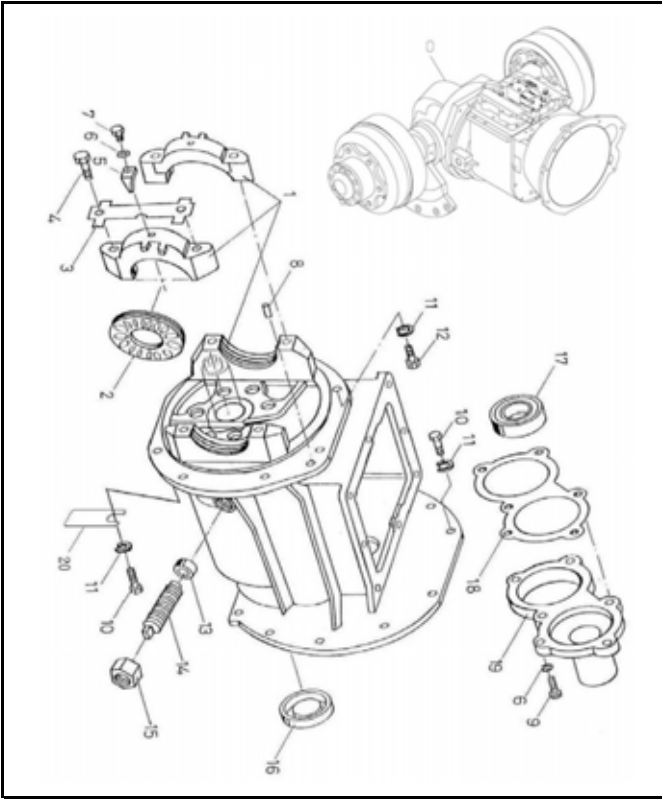
## MECHANISM ORDER

順序 I	大機構 SYSTEM	小機構 ASSY
A310	選配配件系統 CHOOSE ACCESSORY SYSTEM	A310-5A向上排氣管組 UPWARD EXHAUST PIPE
		A310-5B向上排氣管組 UPWARD EXHAUST PIPE (7L II)
		A310-6背式瓦斯桶架 CARRYING LPG TANK BRACKET ASSEMBLY
		A310-6A立式瓦斯桶架 UPRINGHT LPG TANK BRACKET ASSEMBLY
		A310-7雙燃料瓦斯轉換器組 LPG & GASOLING-FUEL SUPPLY SYSTEM
		A310-7A單燃料瓦斯轉換器組 LPG-FUEL SUPPLY SYSTEM
A311	修理包系統 REPAIR KIT SYSTEM	A311-1過濾器 FILTER & LOCK-OFF VALVE
		A311-2轉換器 LPG CONVERTER
		A311-3修理包總覽 REPAIR KIT OVERALL

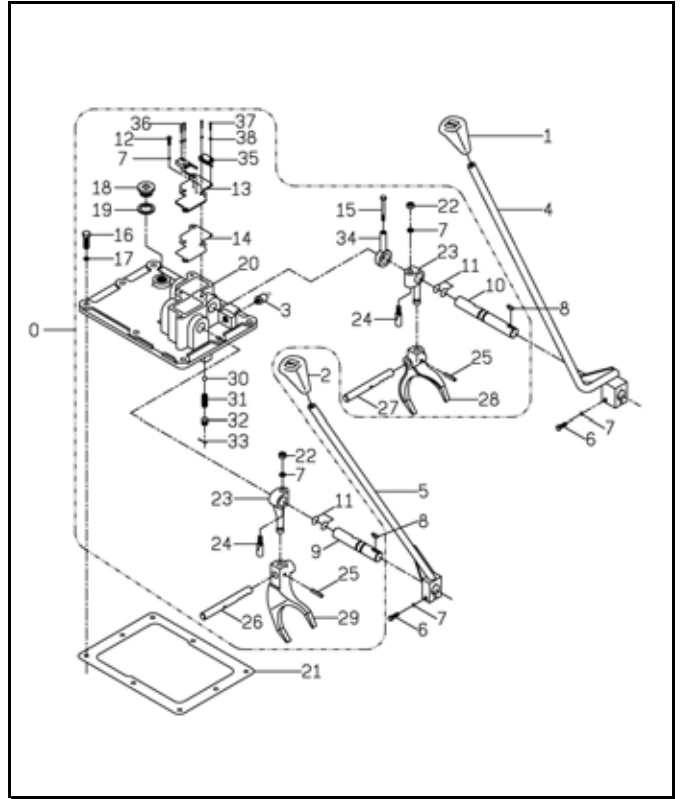
圖解索引

ILLUSTRATION INDEX

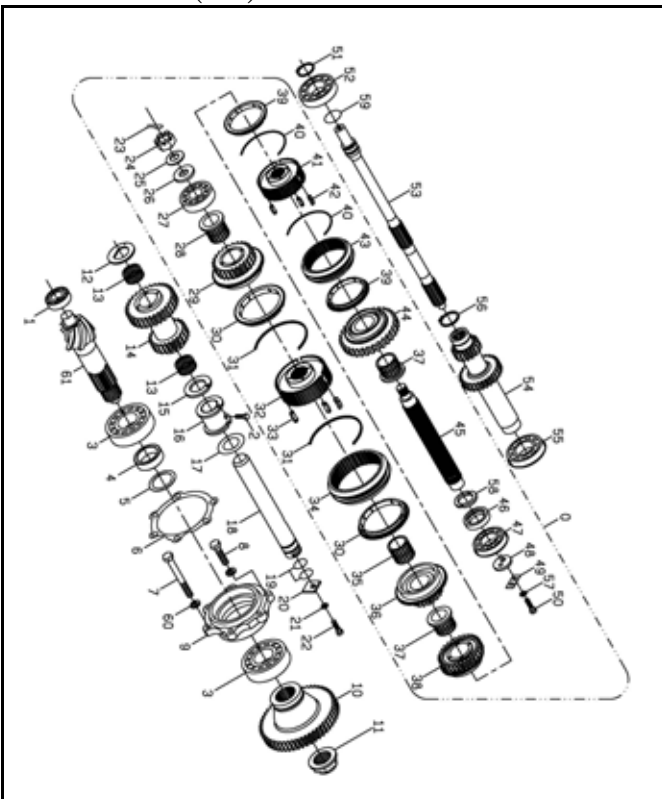
變速箱系統 A301 TRANSMISSION SYSTEM



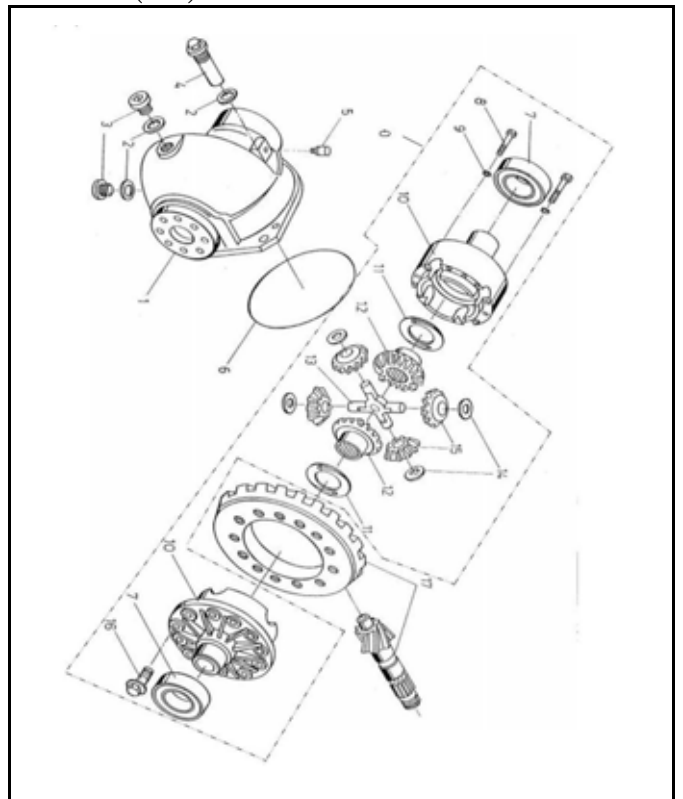
手排變速箱組  
A301-1  
(MT)TRANSMISSION



手排撥桿組  
A301-2  
(MT)GEARSHIFT LEVER ASSY



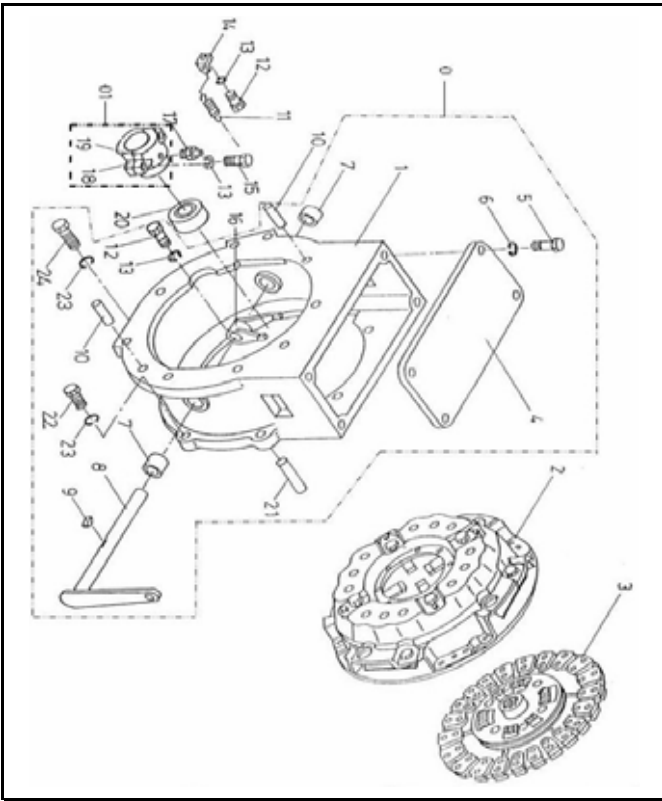
手排傳動齒輪組  
A301-3  
(MT)TRANSMISSION GEAR SET



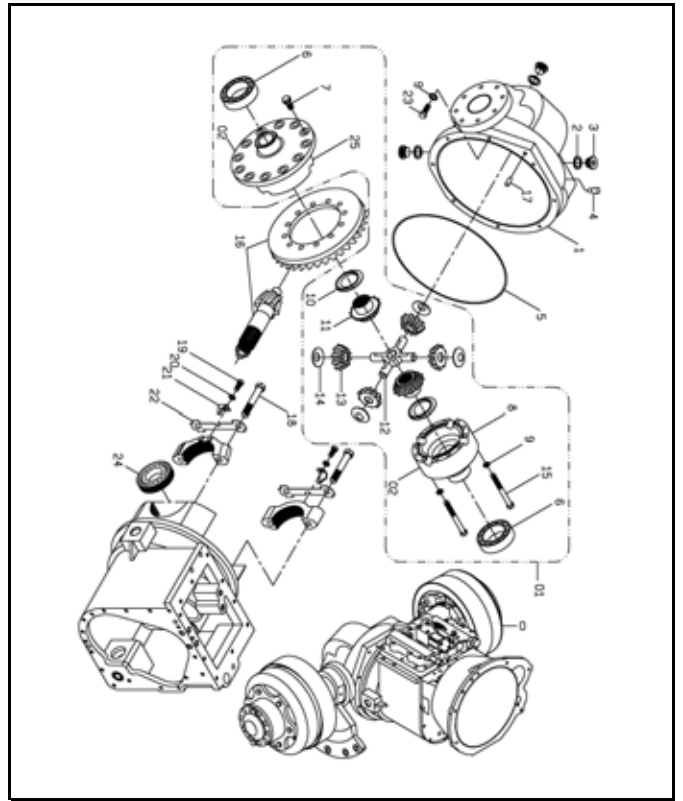
手排差速器組  
A301-4  
(MT)DIFFERENTIAL ASSY

圖解索引  
ILLUSTRATION INDEX

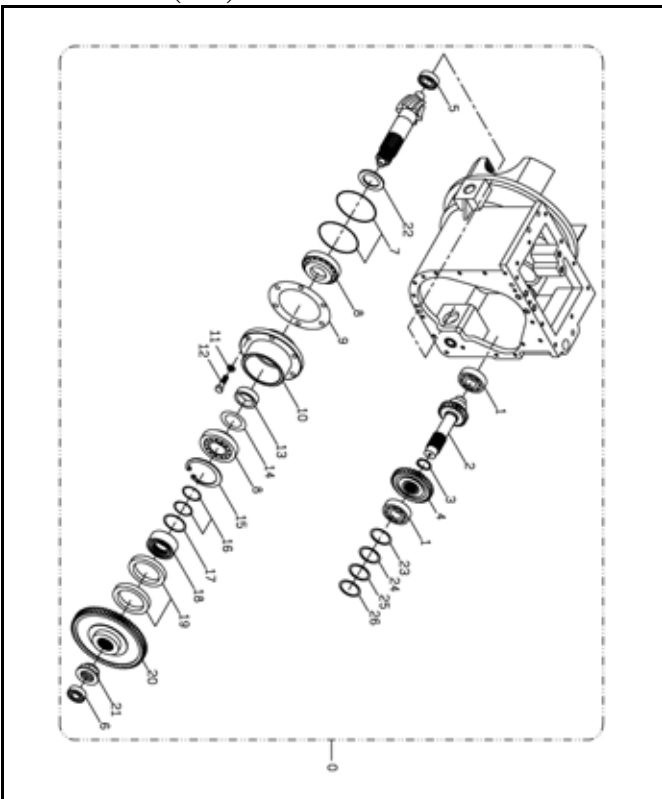
變速箱系統 A301 TRANSMISSION SYSTEM



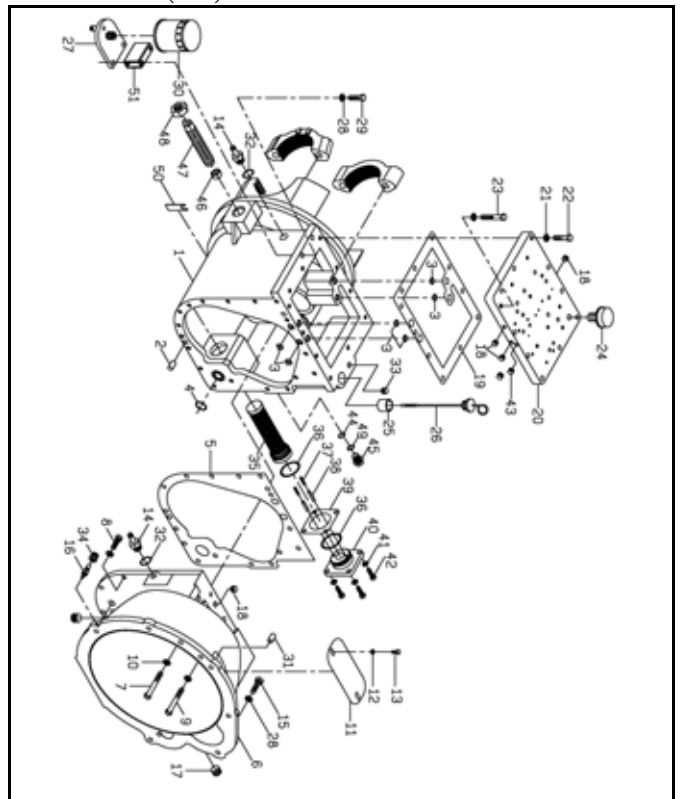
手排離合器箱組  
A301-5  
(MT)CLUTCH HOUSING



自排差速器組  
A301-6  
(AT)DIFFERENTIAL ASSY



自排變速齒輪箱組  
A301-7  
(AT)TRANSMISSION GEAR BOX

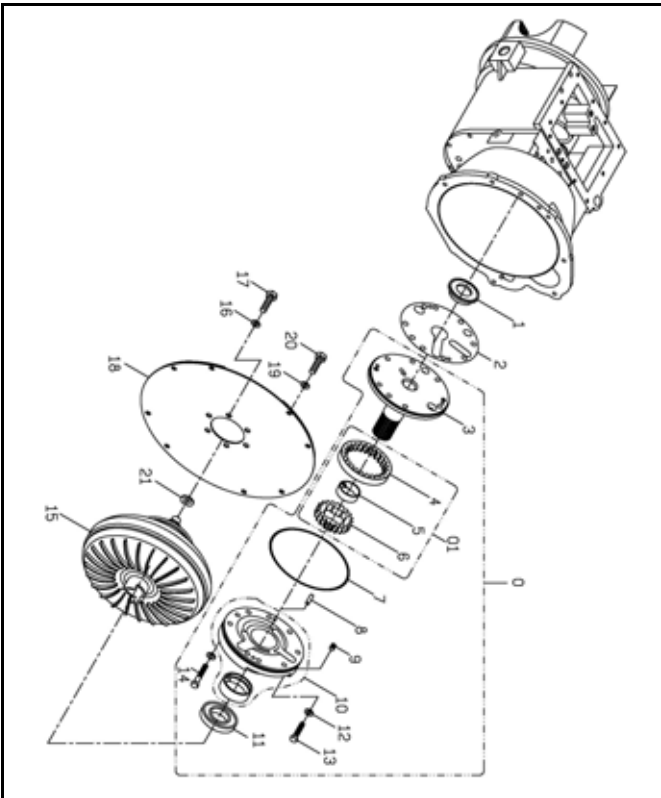


自排變速箱體組  
A301-8  
(AT)TRANSMISSION CASE ASSY

圖解索引

ILLUSTRATION INDEX

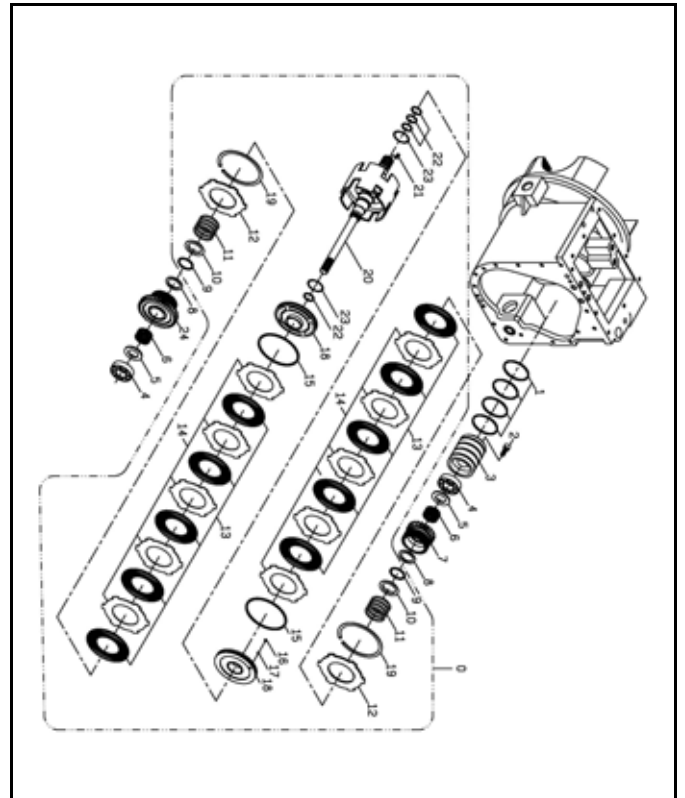
變速箱系統 A301 TRANSMISSION SYSTEM



自排油泵組

A301-9

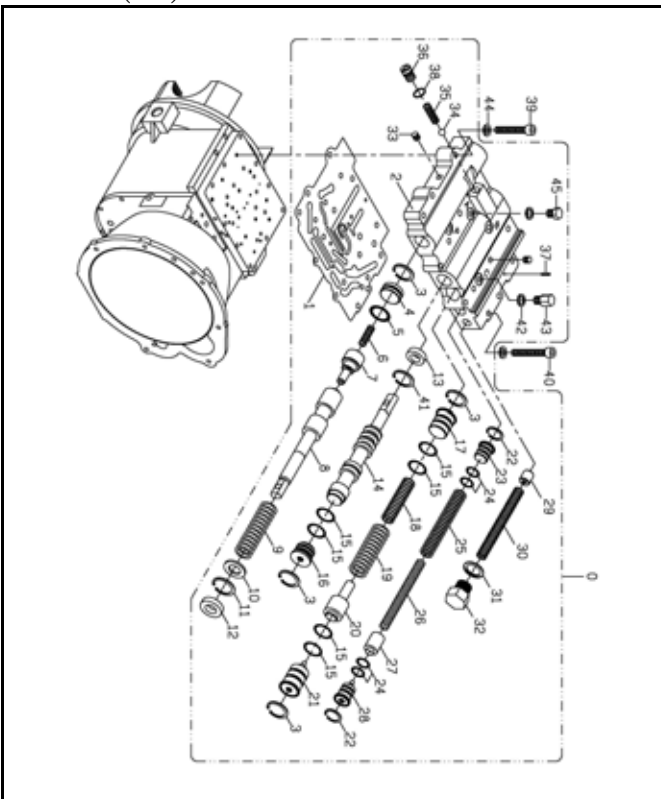
(AT)TRANSMISSION OIL PUMP



自排離合器組

A301-10

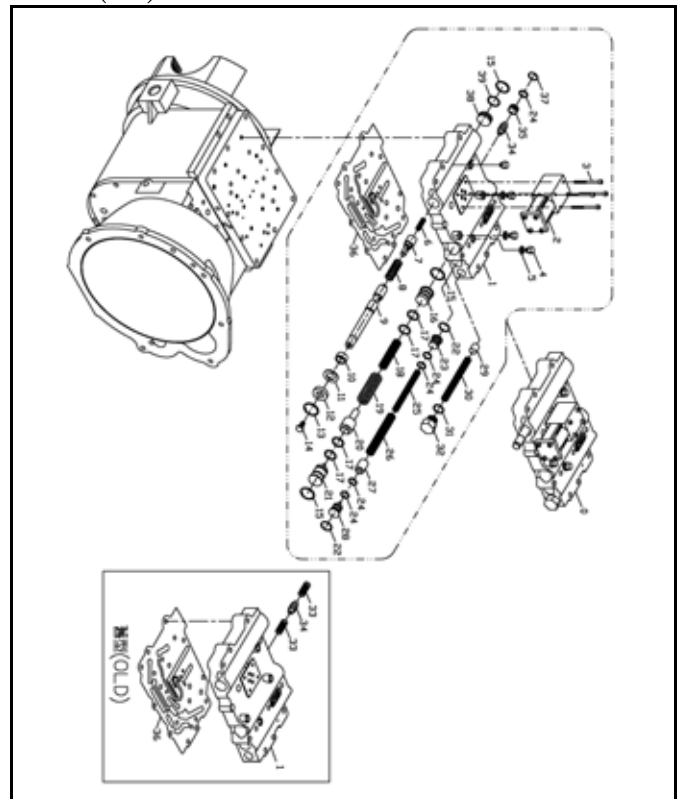
(AT)TRANSMISSION CLUTCH ASSY



自排控制閥組

A301-11

(AT)CONTROL VALVE ASSY



電子式自排控制閥組

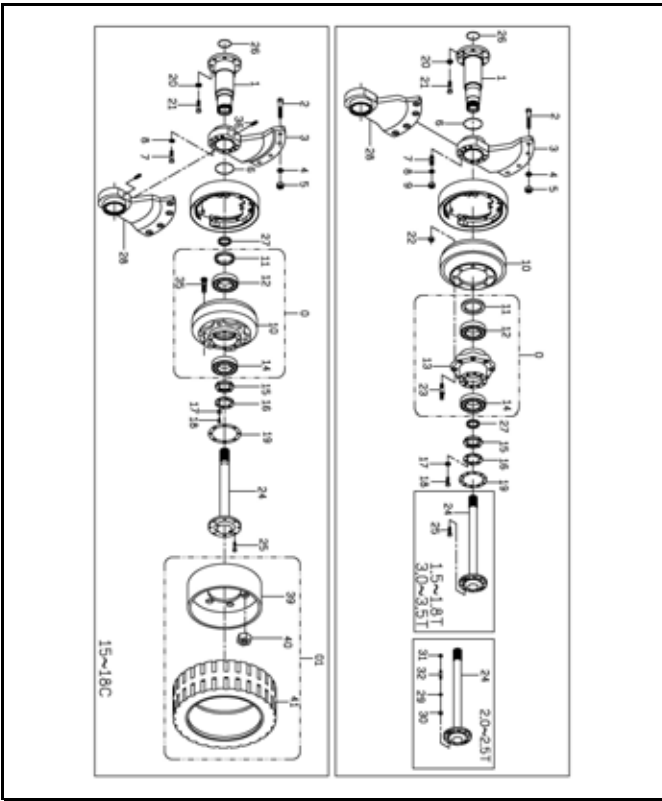
A301-11A

(AT)ELECTRIC CONTROL VALVE

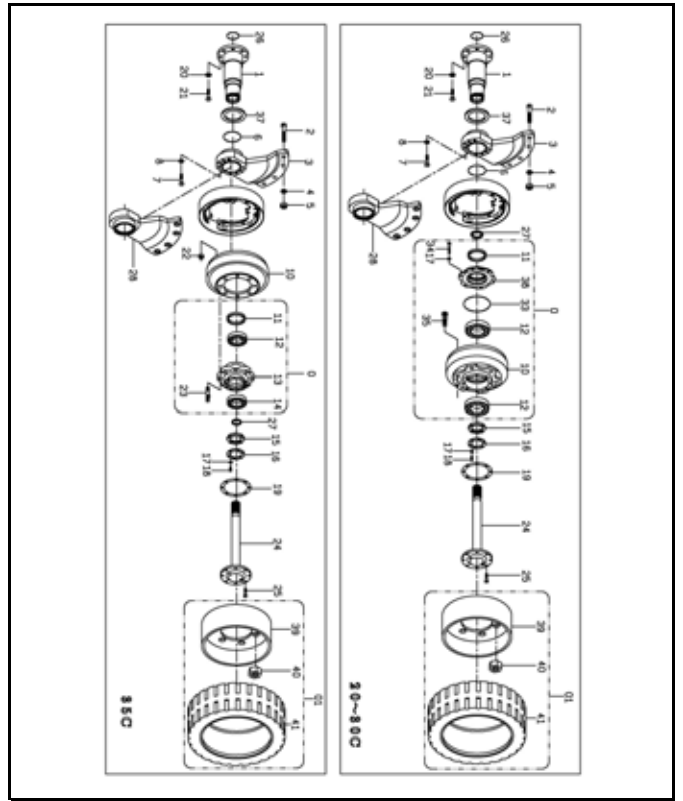
圖解索引

ILLUSTRATION INDEX

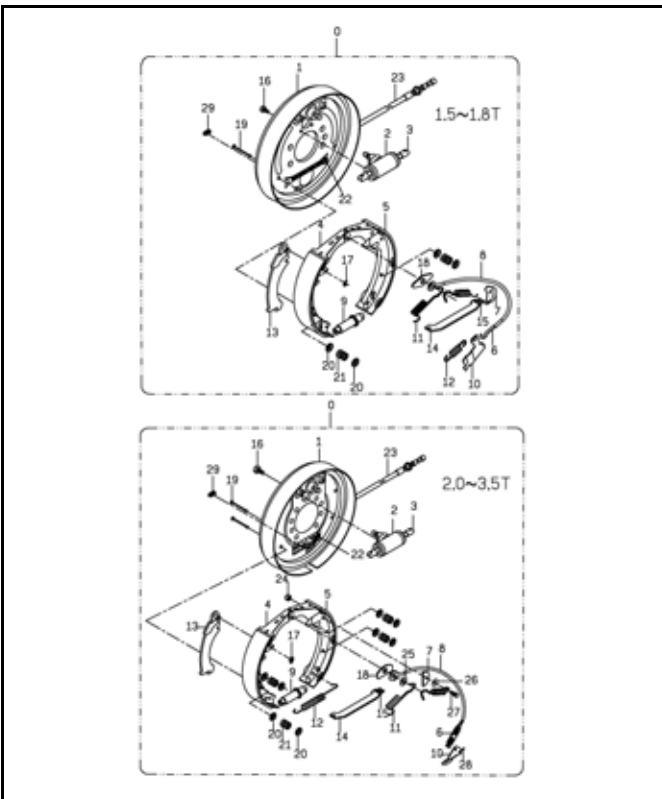
前輪軸系統 A302 DRIVE AXLE SYSTEM



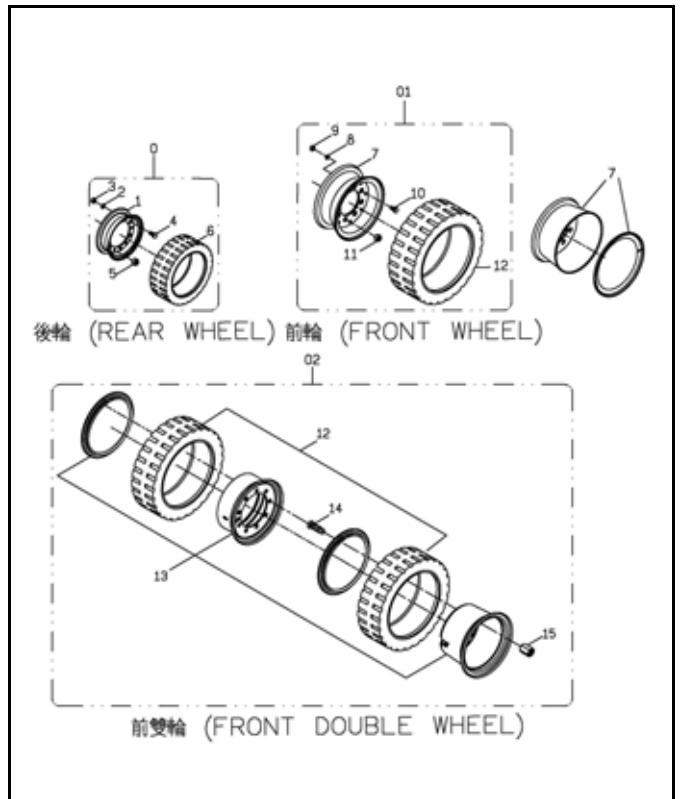
前輪軸  
A302-1  
DRIVE AXLE



前輪軸  
A302-1  
DRIVE AXLE



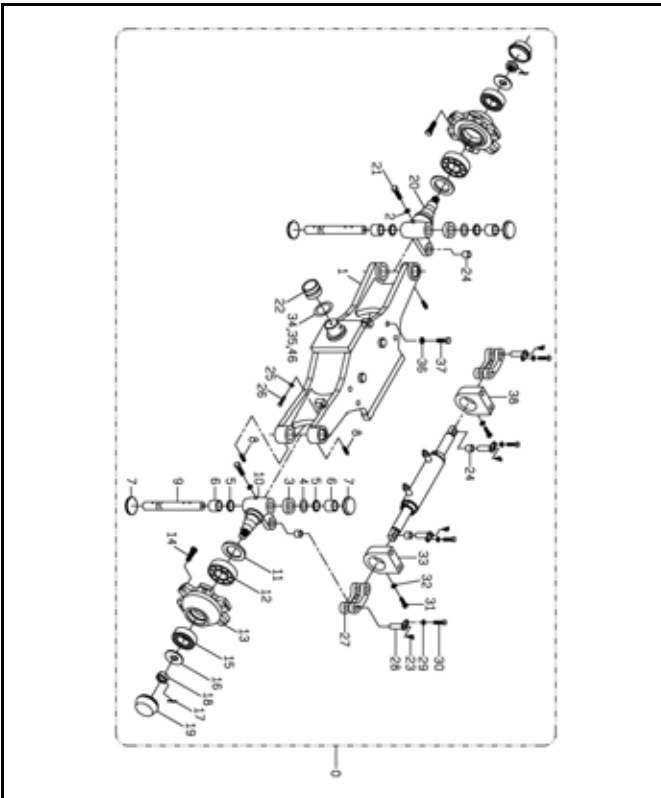
煞車襯板組  
A302-2  
WHEEL BRAKE ASSY



輪胎組  
A302-3  
TIRE ASSY

圖解索引  
ILLUSTRATION INDEX

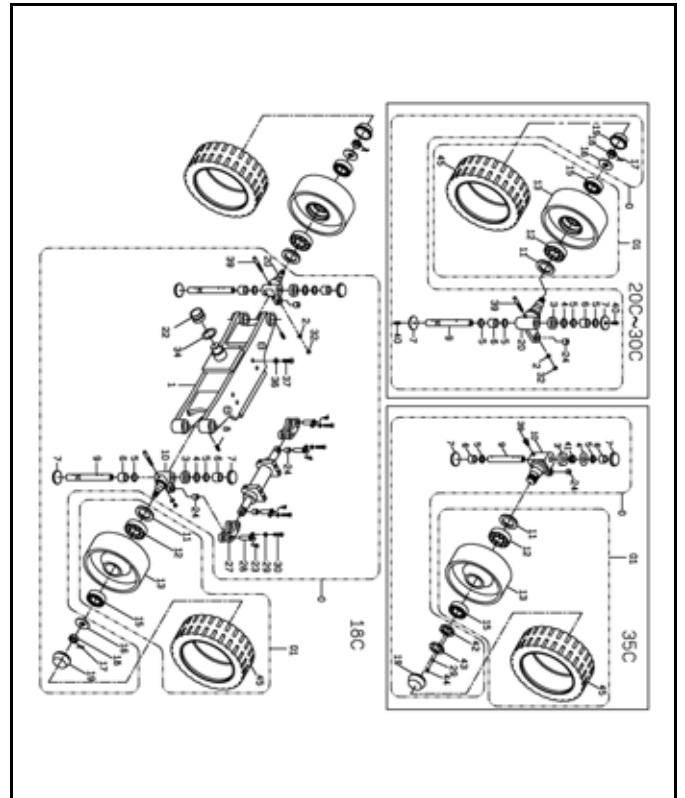
轉向系統 A303 STEERING SYSTEM



後輪樑組

A303-1

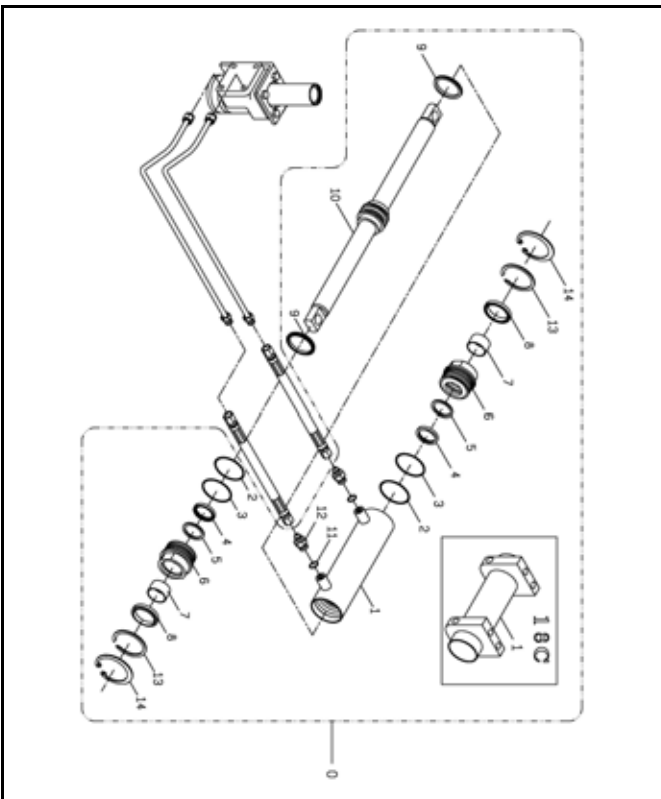
STEERING AXLE ASSY



後輪樑組

A303-1

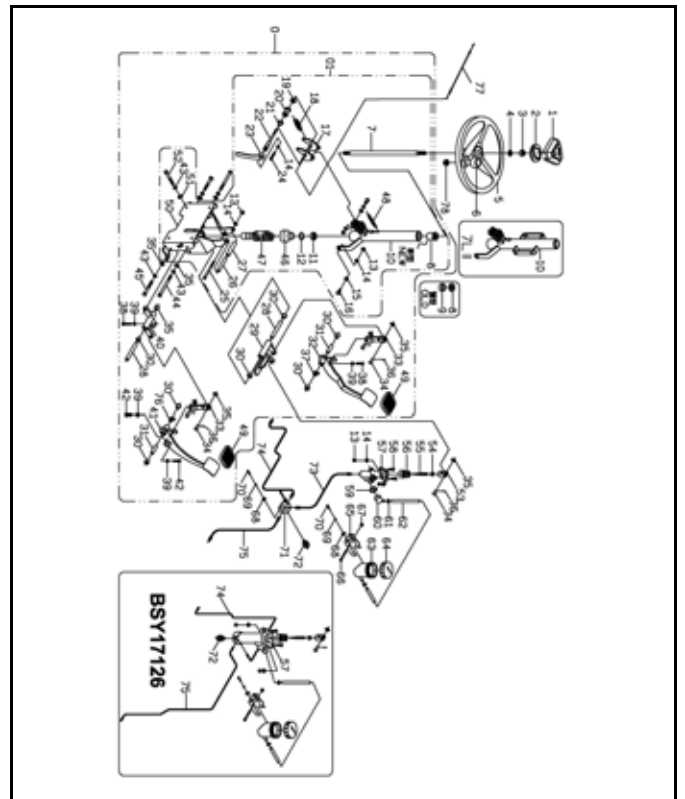
STEERING AXLE ASSY



轉向油壓缸組

A303-2

STEERING CYLINDER



懸吊組

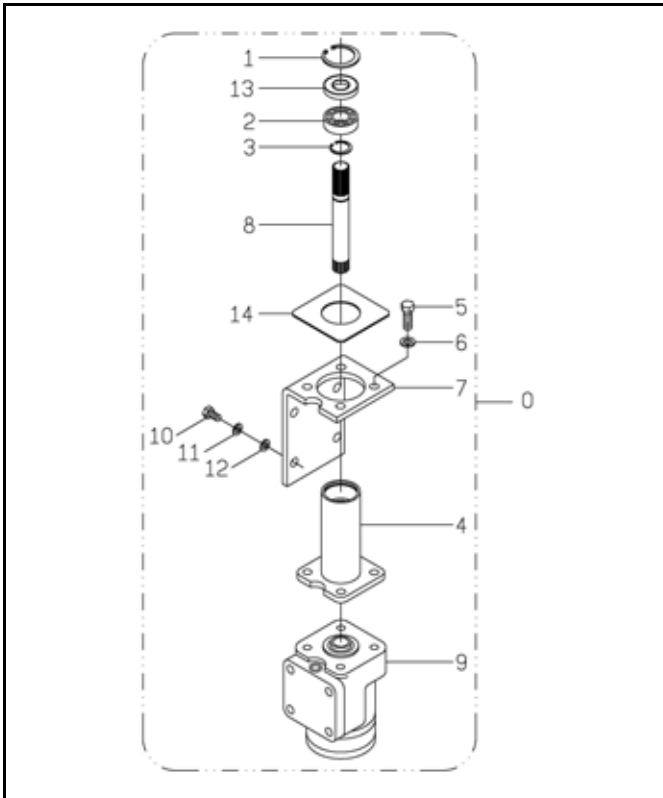
A303-3

STEERING WHEEL



圖解索引  
ILLUSTRATION INDEX

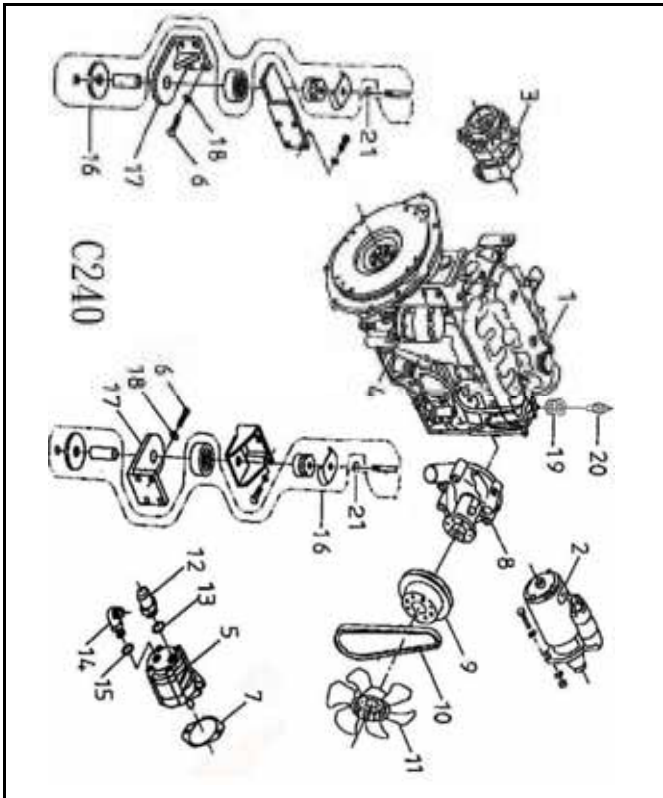
轉向系統 A303 STEERING SYSTEM



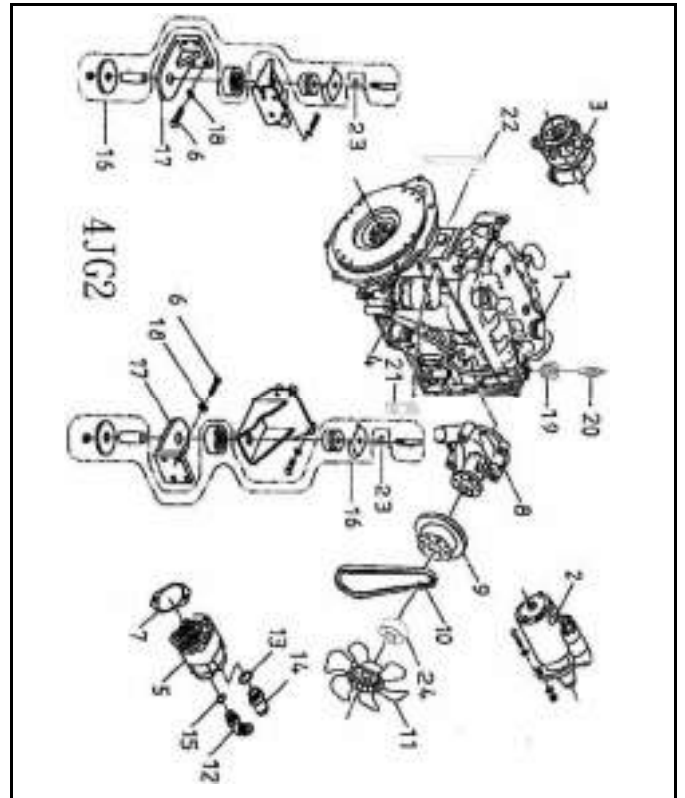
油壓方向機  
A303-4  
POWER STEERING

圖解索引  
ILLUSTRATION INDEX

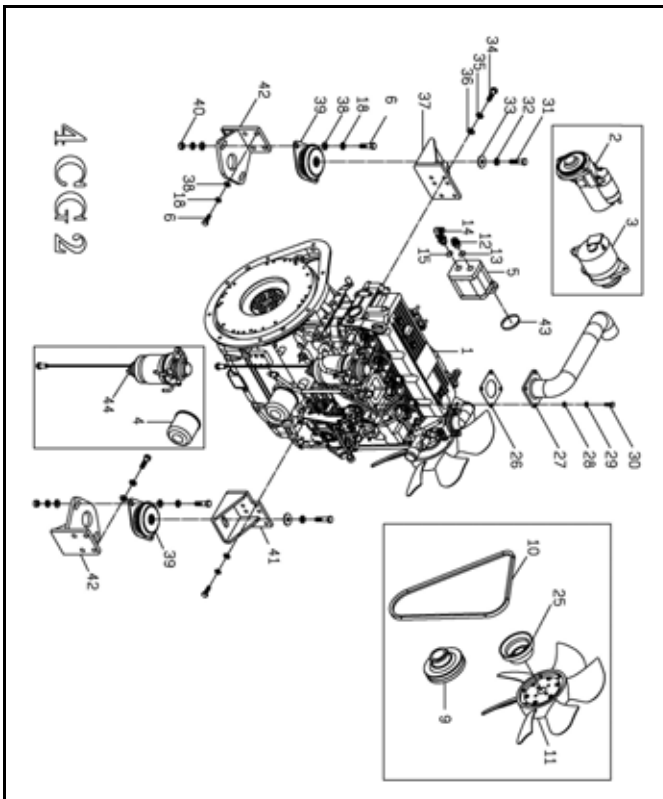
引擎系統 A304 ENGINE SYSTEM



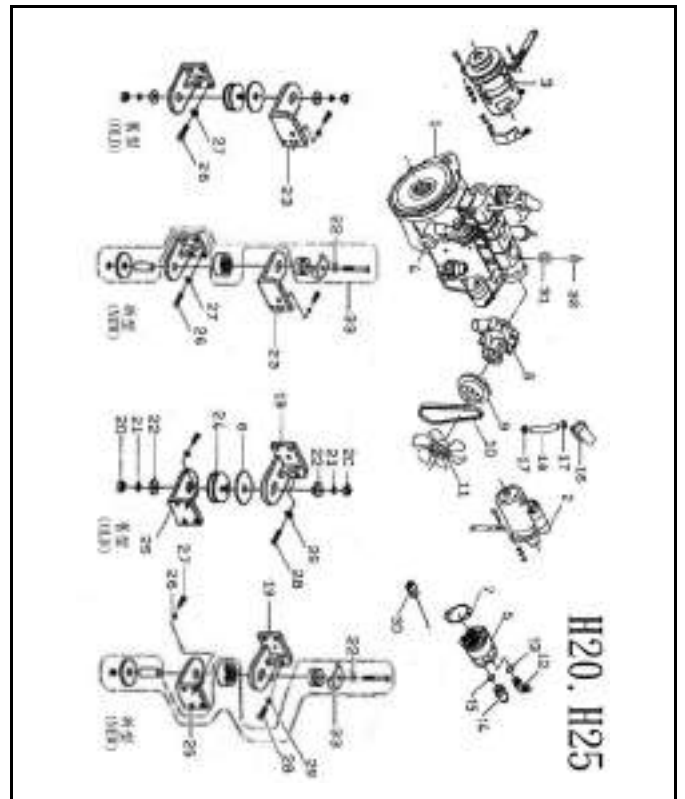
引擎組  
A304-1  
ENGINE ISUZU C240



引擎組  
A304-1A  
ENGINE ISUZU 4JG2-PE.4JG2PJ03.4CG2



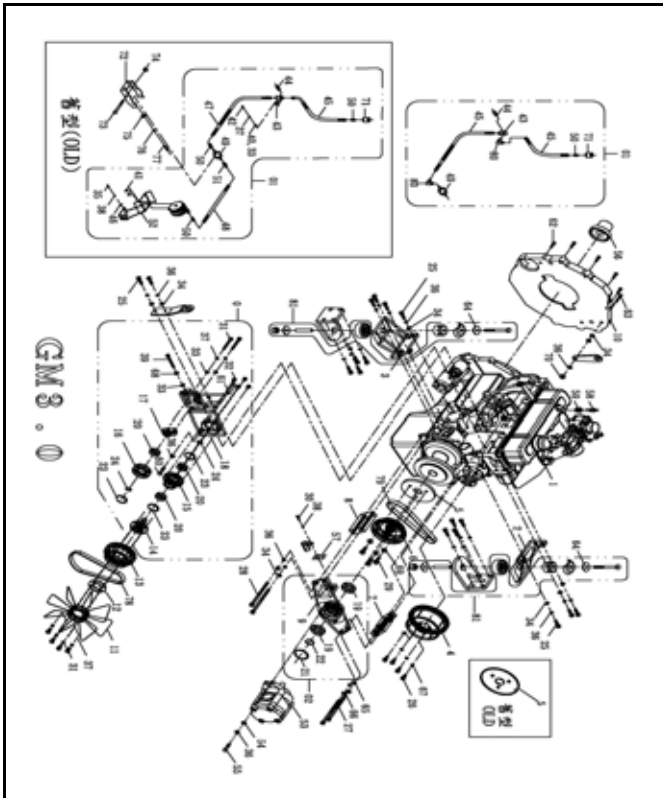
引擎組  
A304-1A  
ENGINE ISUZU 4JG2-PE.4JG2PJ03.4CG2



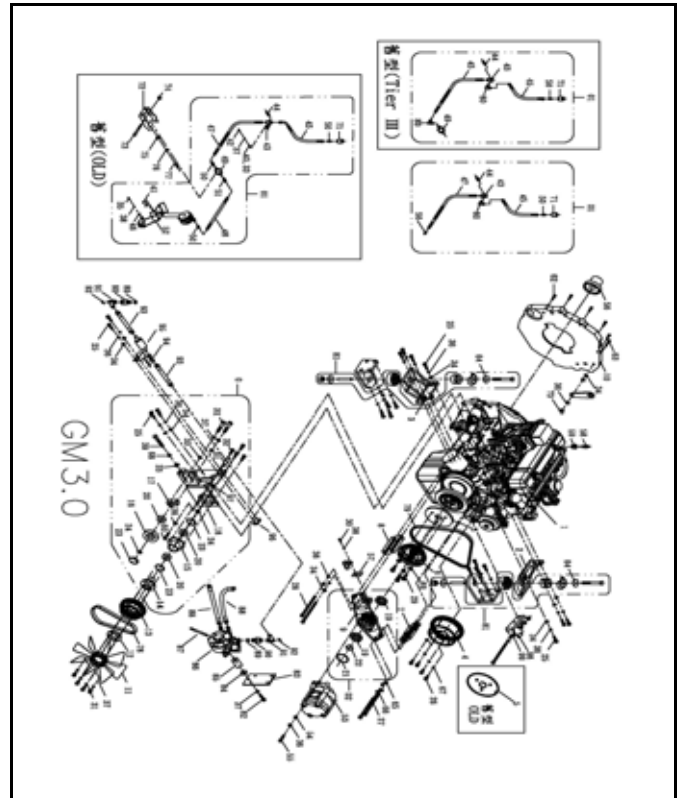
引擎組  
A304-1B  
ENGINE NISSAN H20.H25

圖解索引  
ILLUSTRATION INDEX

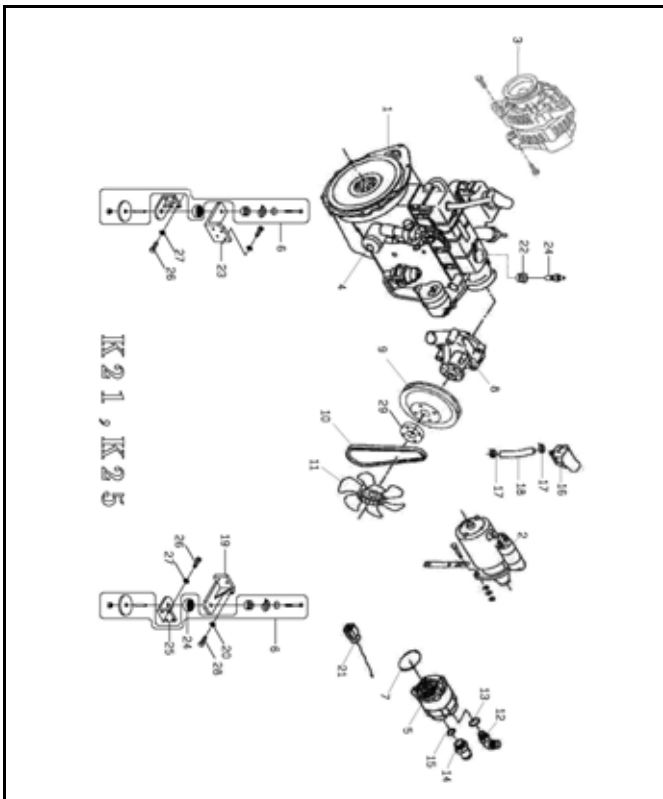
引擎系統 A304 ENGINE SYSTEM



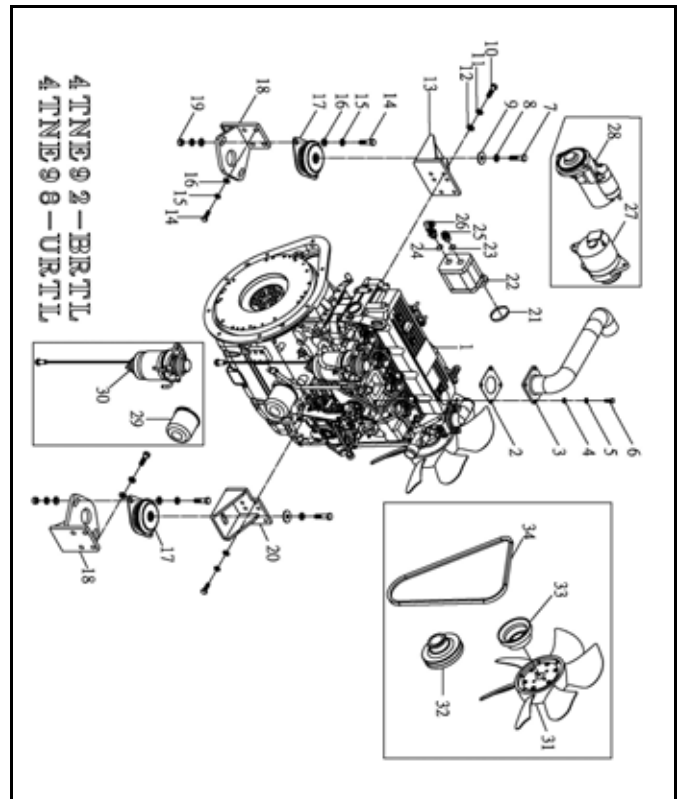
引擎組  
A304-1C  
ENGINE GM3.0



引擎組  
A304-1C  
ENGINE GM3.0



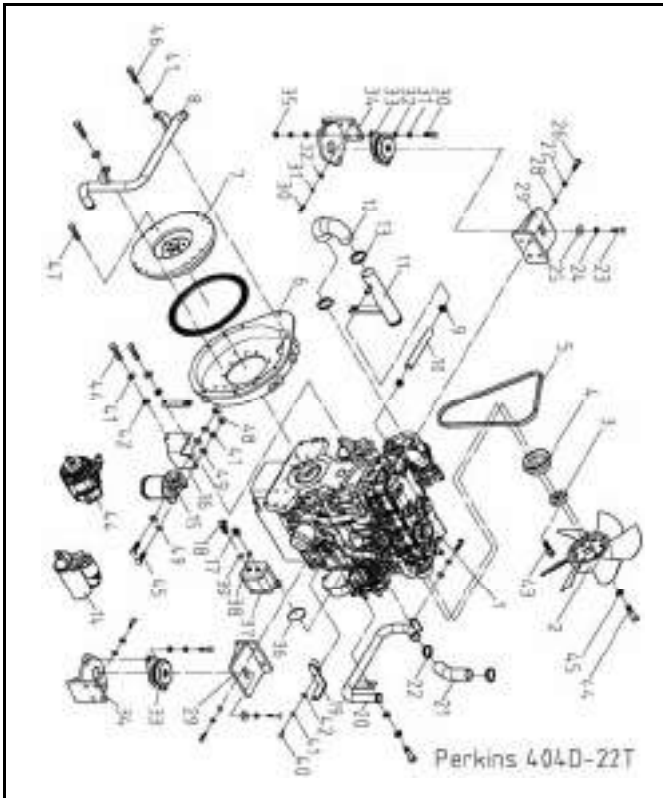
引擎組  
A304-1D  
ENGINE NISSAN K21.K25



引擎組  
A304-1E  
ENGINE YANMAR 4TNE92-BRTL.4TNE98-URTL

圖解索引  
ILLUSTRATION INDEX

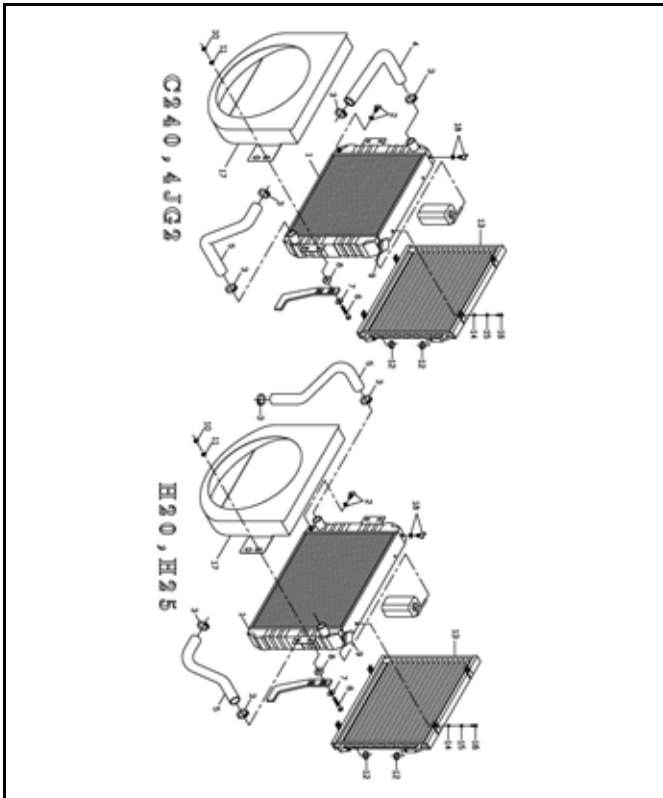
引擎系統 A304 ENGINE SYSTEM



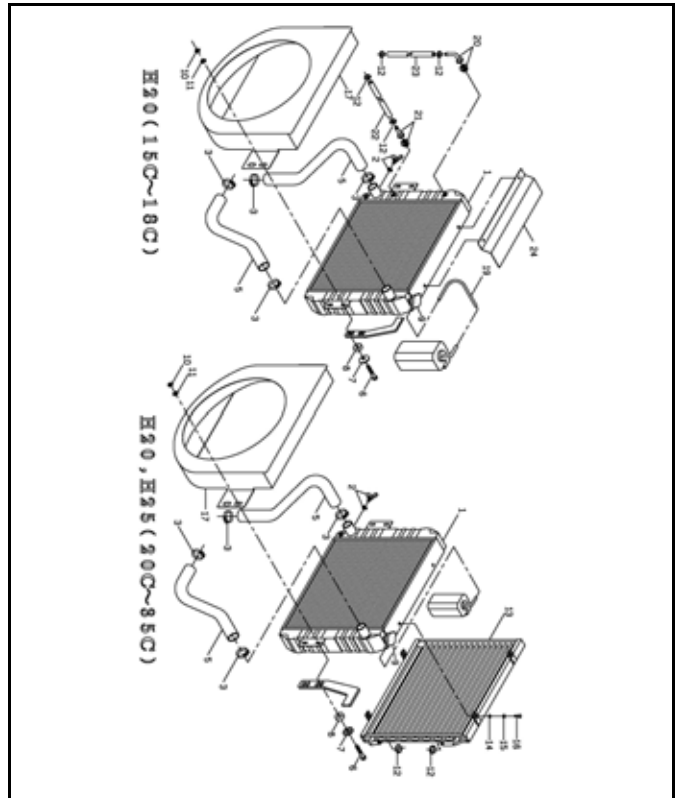
引擎組  
A304-10  
ENGINE Perkins 404D-22T

圖解索引  
ILLUSTRATION INDEX

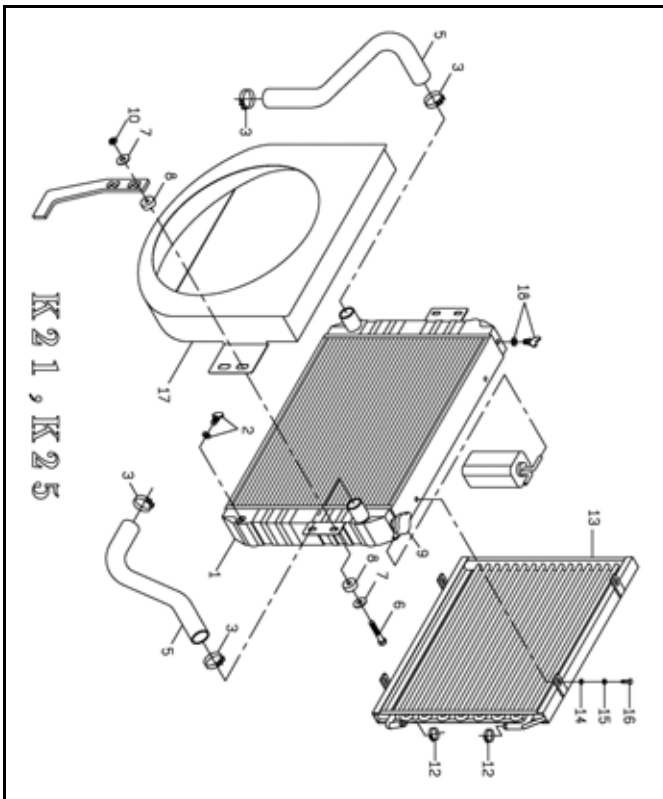
引擎系統 A304 ENGINE SYSTEM



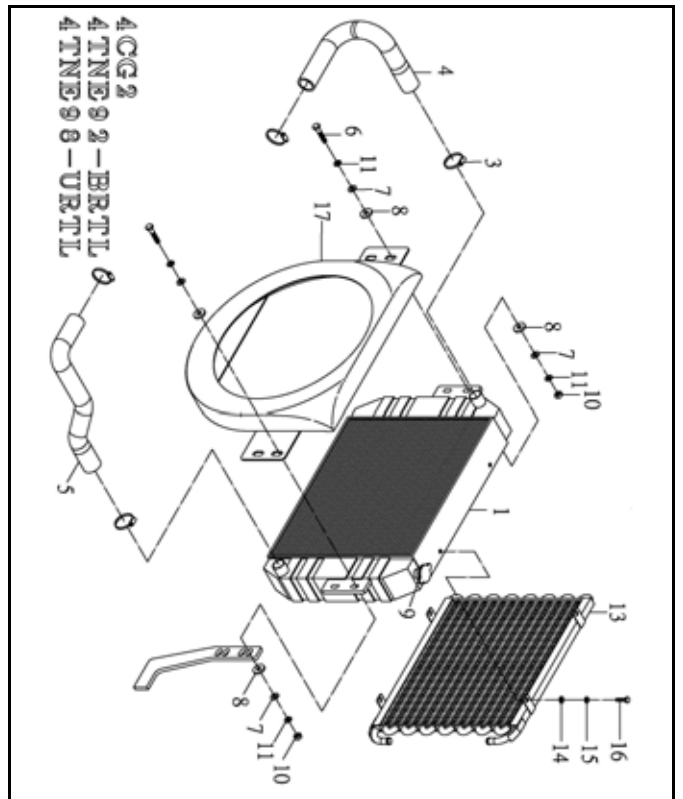
散熱器組  
A304-2  
RADIATOR



散熱器組  
A304-2  
RADIATOR



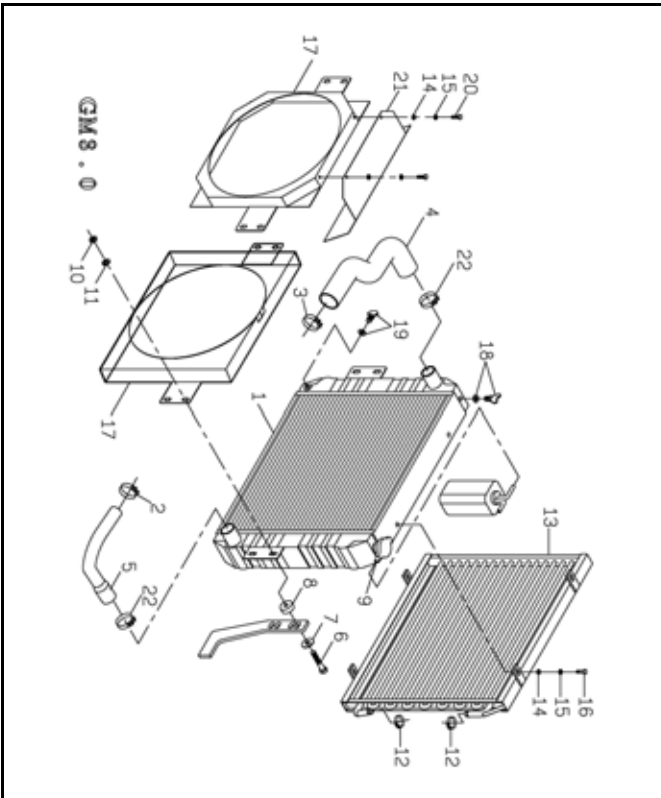
散熱器組  
A304-2  
RADIATOR



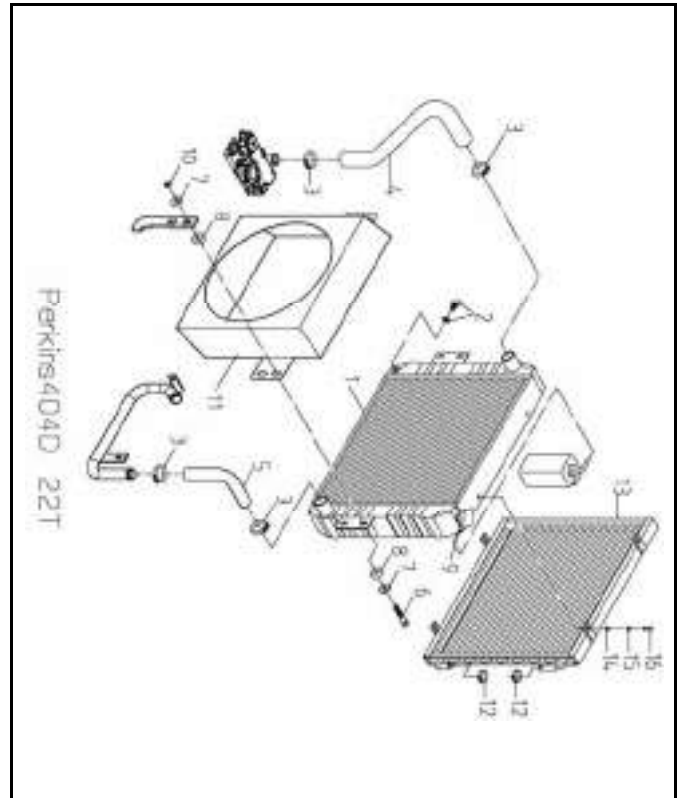
散熱器組  
A304-2  
RADIATOR

圖解索引  
ILLUSTRATION INDEX

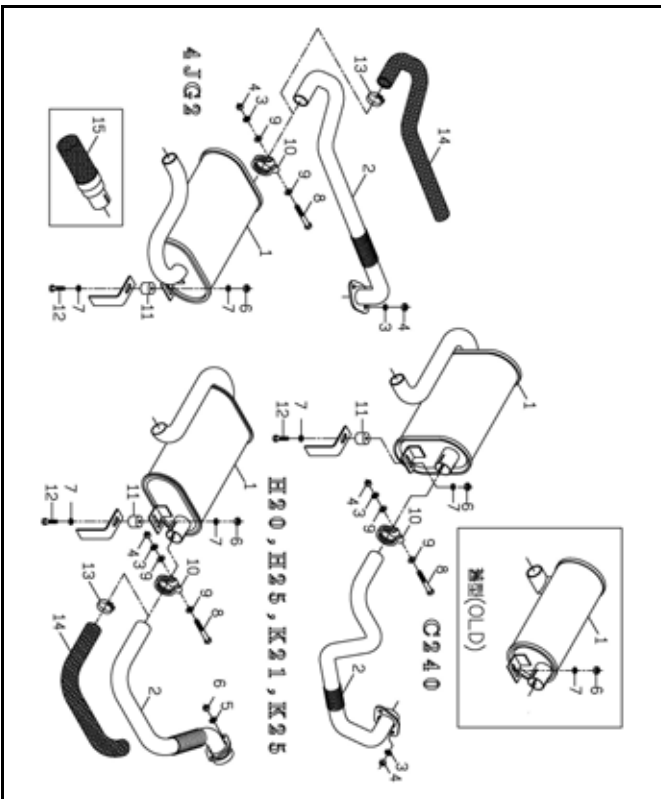
引擎系統 A304 ENGINE SYSTEM



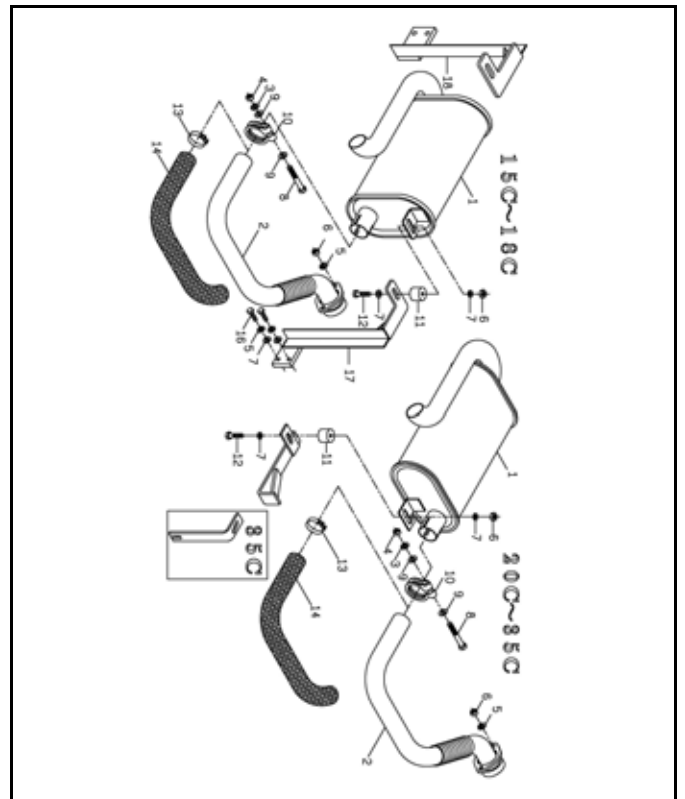
散熱器組  
A304-2A  
RADIATOR GM3.0



散熱器組  
A304-2B  
RADIATOR Perkins 404D-22T



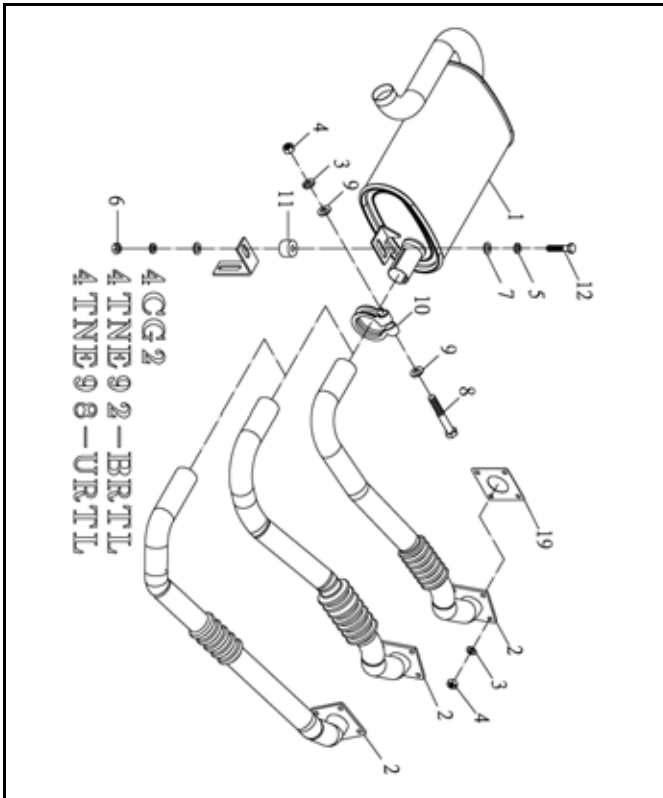
消音器組  
A304-3  
EXHAUST



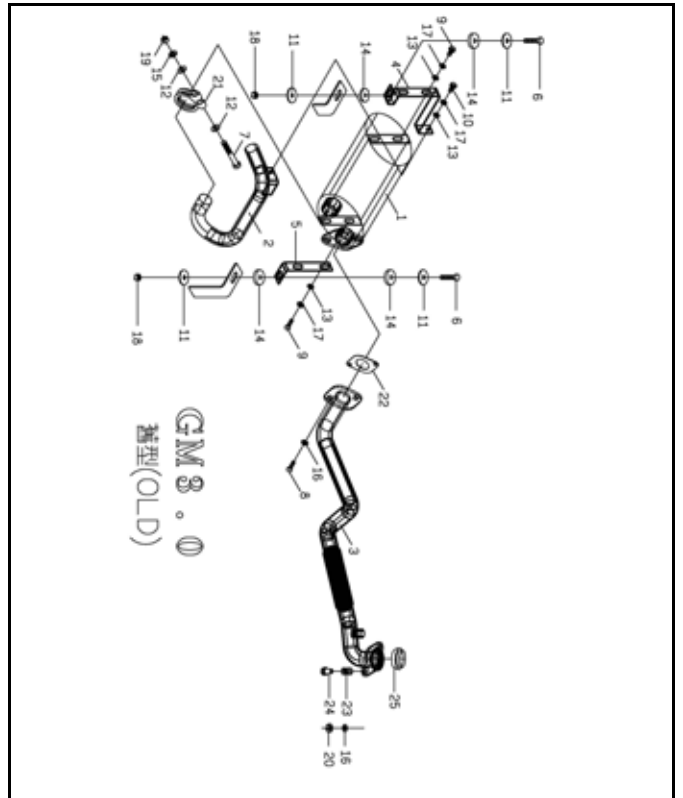
消音器組  
A304-3  
EXHAUST

圖解索引  
ILLUSTRATION INDEX

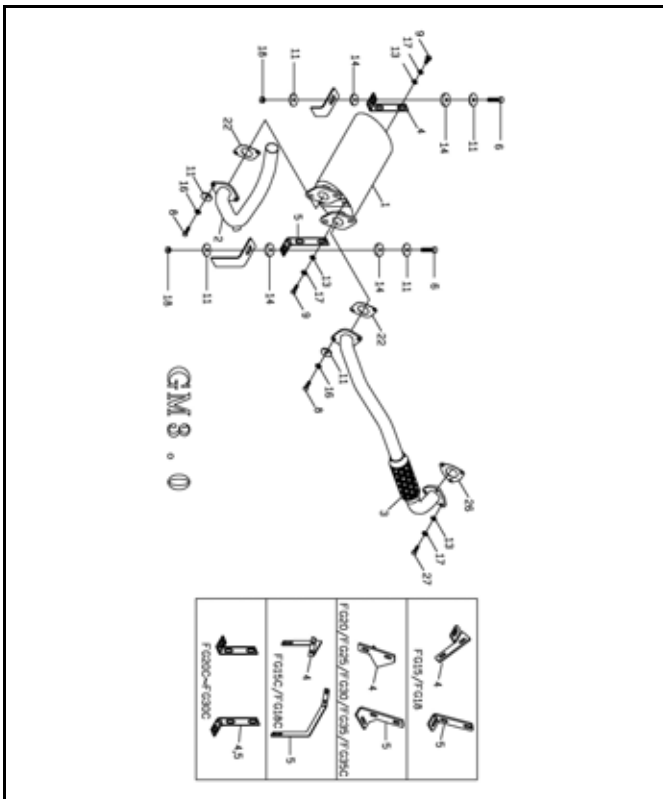
引擎系統 A304 ENGINE SYSTEM



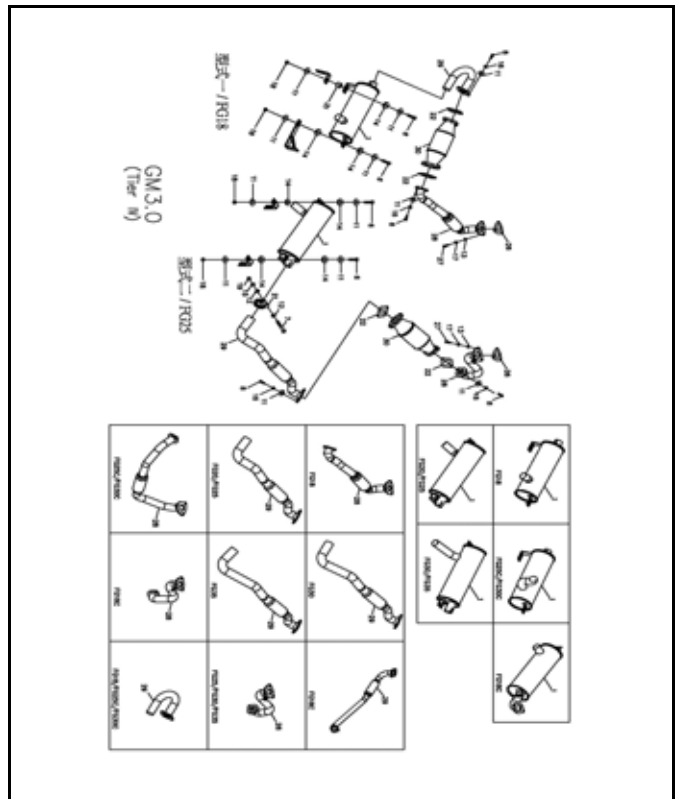
消音器組  
A304-3  
EXHAUST



消音器組  
A304-3A  
EXHAUST GM3.0



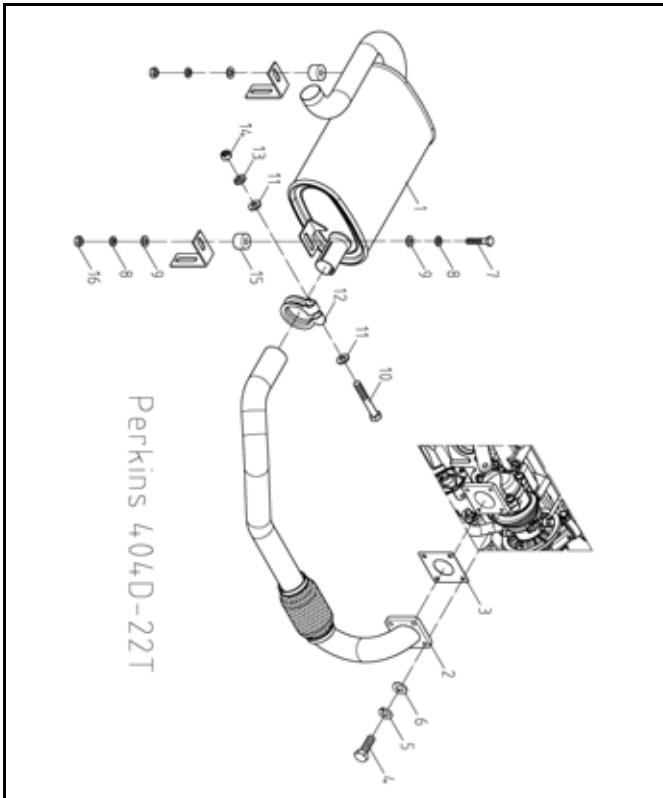
消音器組  
A304-3A  
EXHAUST GM3.0



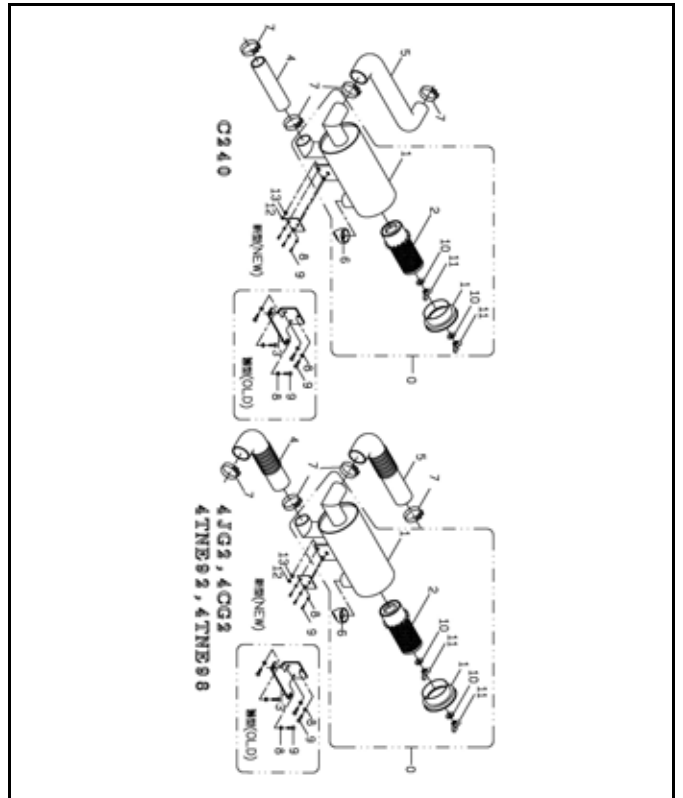
消音器組  
A304-3A  
EXHAUST GM3.0

圖解索引  
ILLUSTRATION INDEX

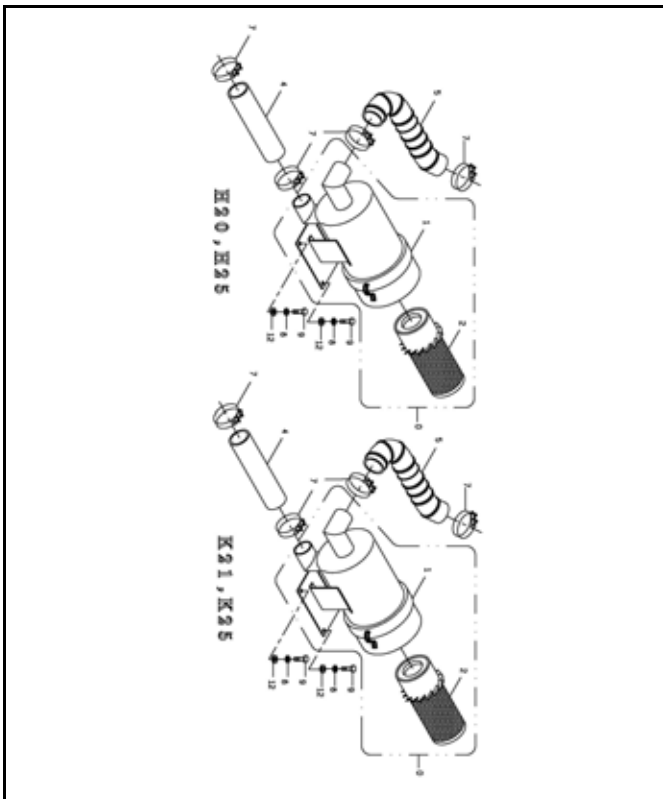
引擎系統 A304 ENGINE SYSTEM



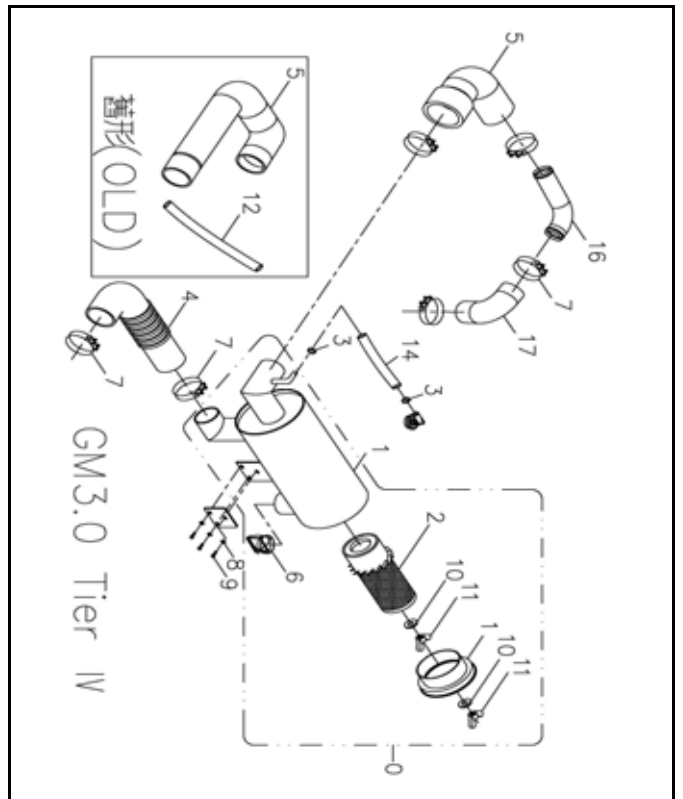
消音器組  
A304-3D  
EXHAUST Perkins 404D-22T



空氣濾清器組  
A304-4  
AIR CLEANER



空氣濾清器組  
A304-4  
AIR CLEANER



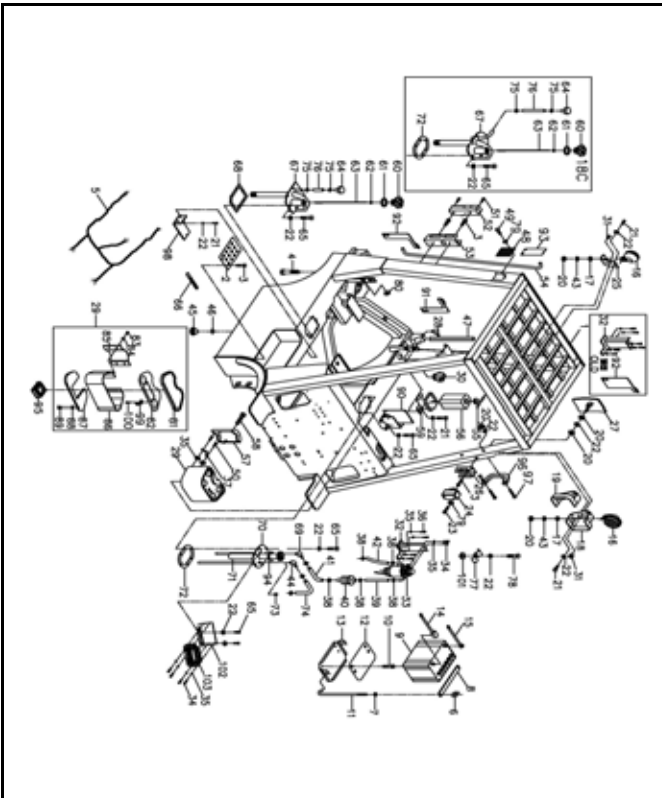
空氣濾清器組  
A304-4A  
AIR CLEANER GM3.0



圖解索引

ILLUSTRATION INDEX

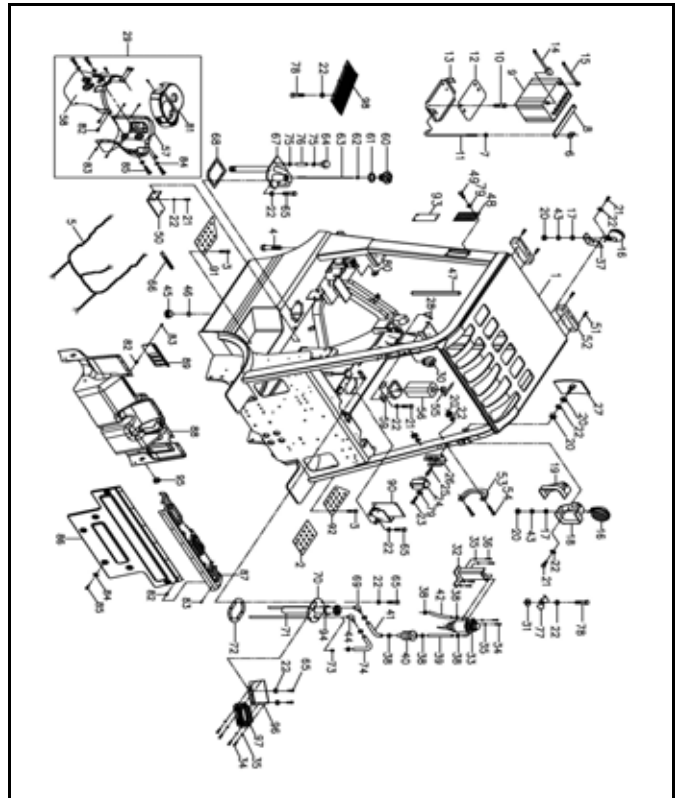
車身配件系統 A305 CHASSIS FITTING SYSTEM



車身與配件組

A305-1

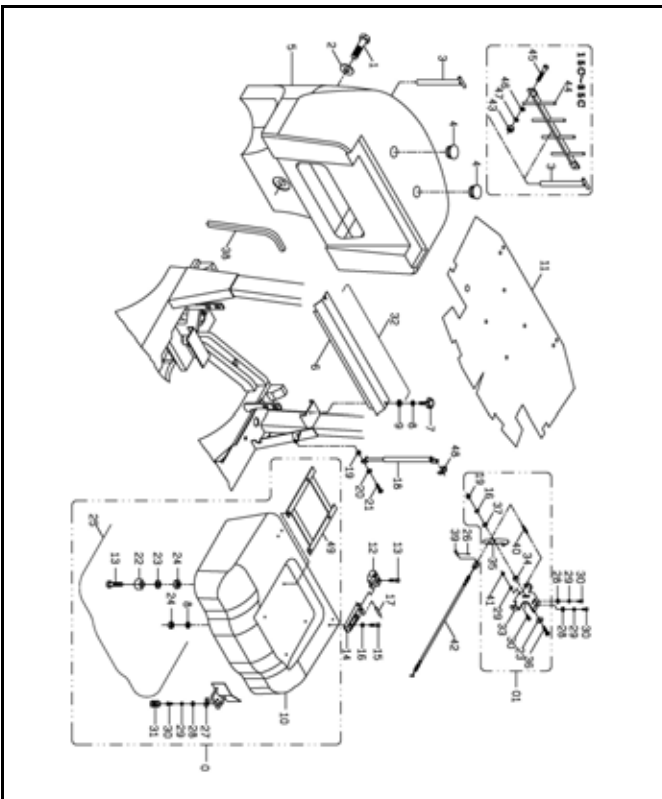
CAR BODY & FITTING



車身與配件組

A305-1D

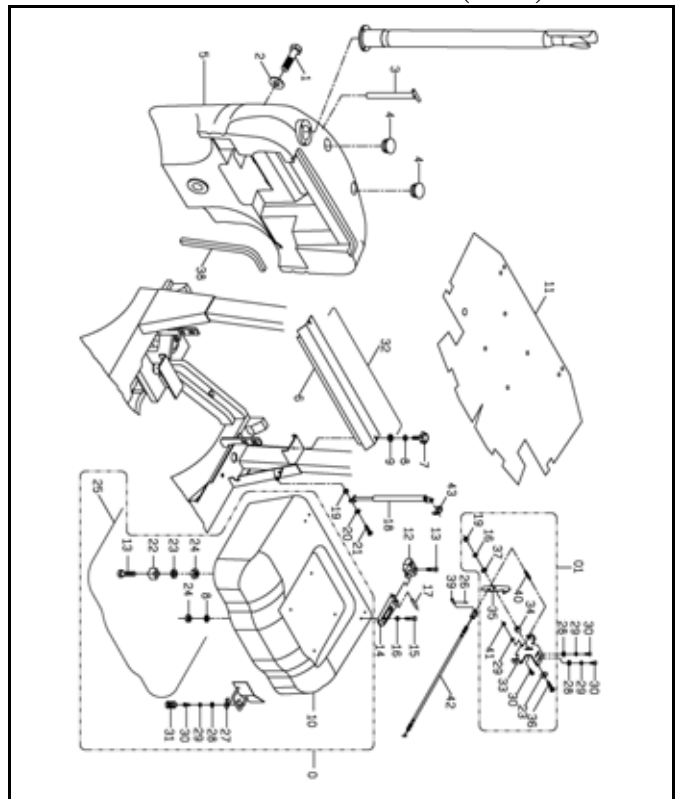
CAR BODY & FITTING (7L II)



引擎蓋與配重組

A305-2

ENGINE HOOD & COUNTERWEIGHT



引擎蓋與配重組

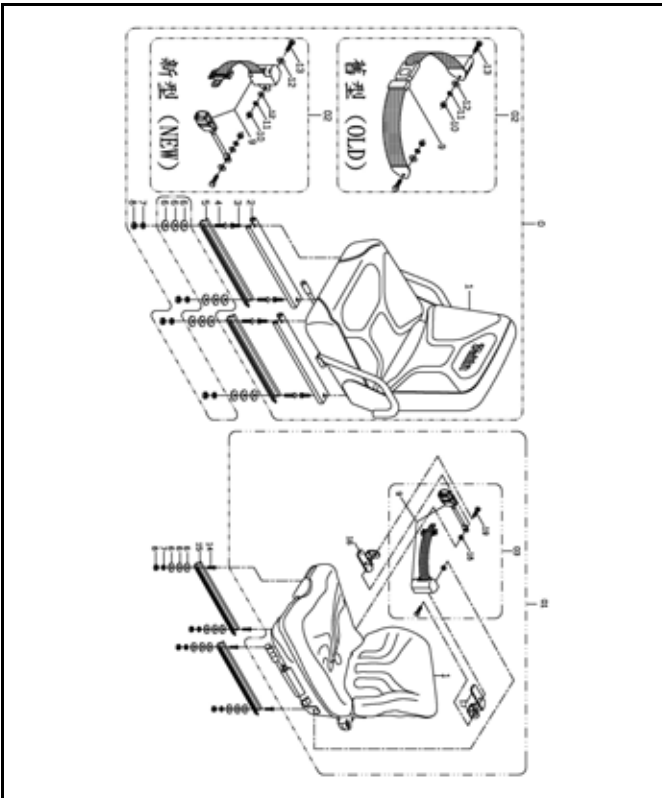
A305-2D

ENGINE HOOD & COUNTERWEIGHT (7L II)

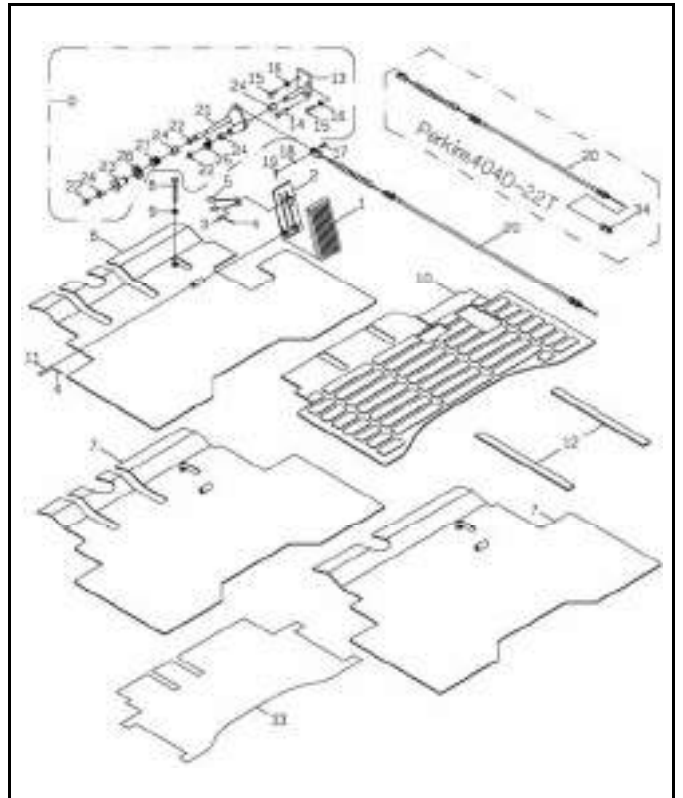
圖解索引

ILLUSTRATION INDEX

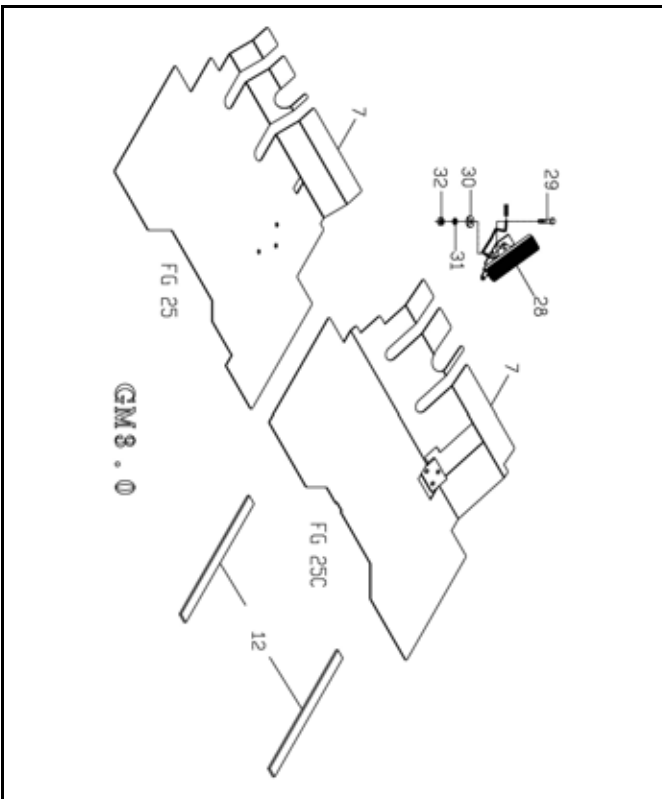
車身配件系統 A305 CHASSIS FITTING SYSTEM



駕駛座椅組  
A305-3  
DRIVER SEAT



加速器連桿組  
A305-4  
ACCELERATOR LINK

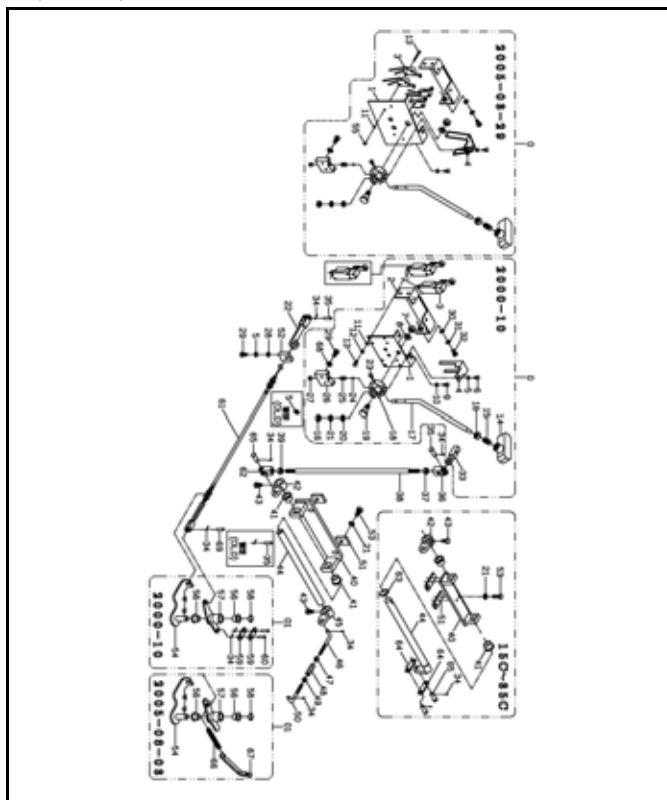


加速器連桿組  
A305-4  
ACCELERATOR LINK



圖解索引  
ILLUSTRATION INDEX

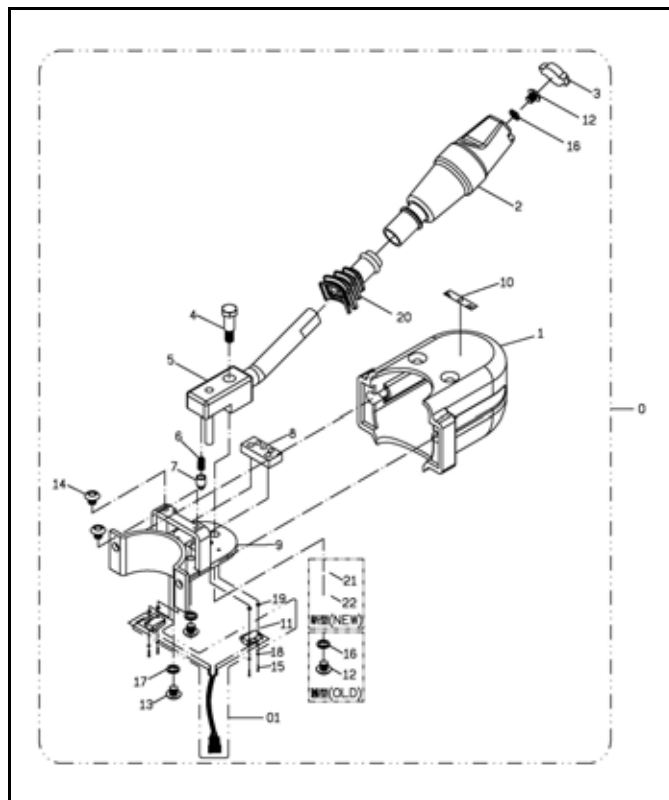
操縱系統 A307 CONTROL SYSTEM



自排排檔開關組

A307-1

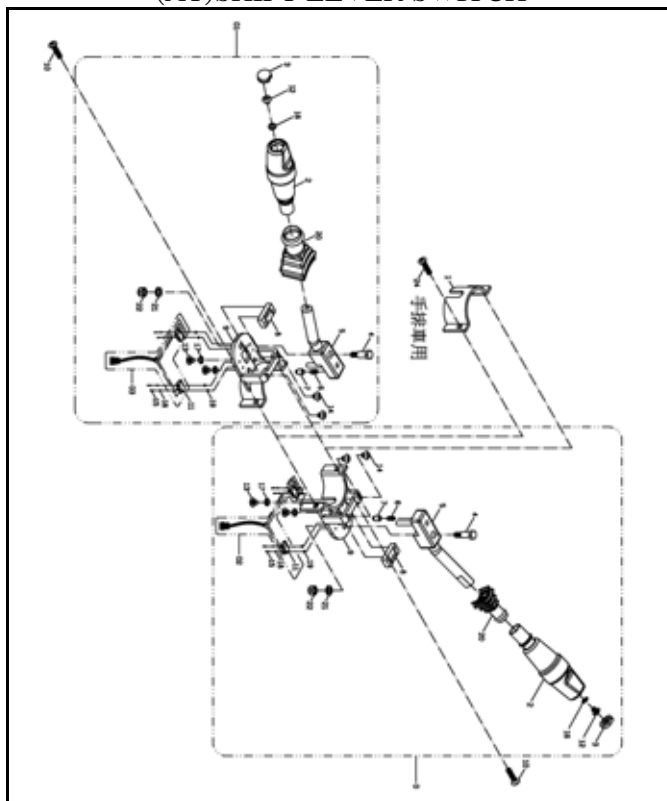
(AT)SHIFT LEVER SWITCH



電子式自排排檔開關組

A307-1A

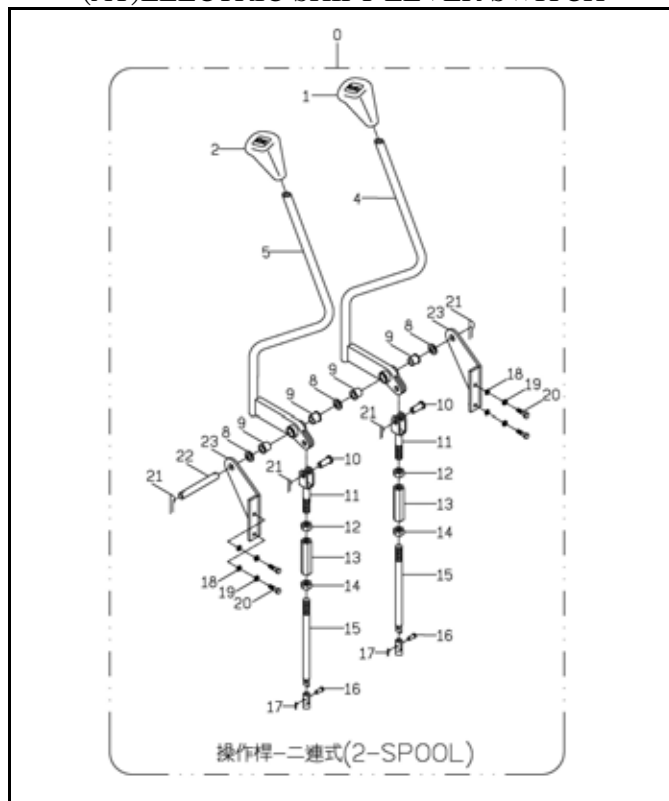
(AT)ELECTRIC SHIFT LEVER SWITCH



電子式自排排檔開關組

A307-1C

(AT)ELECTRIC SHIFT LEVER SWITCH (7L II)



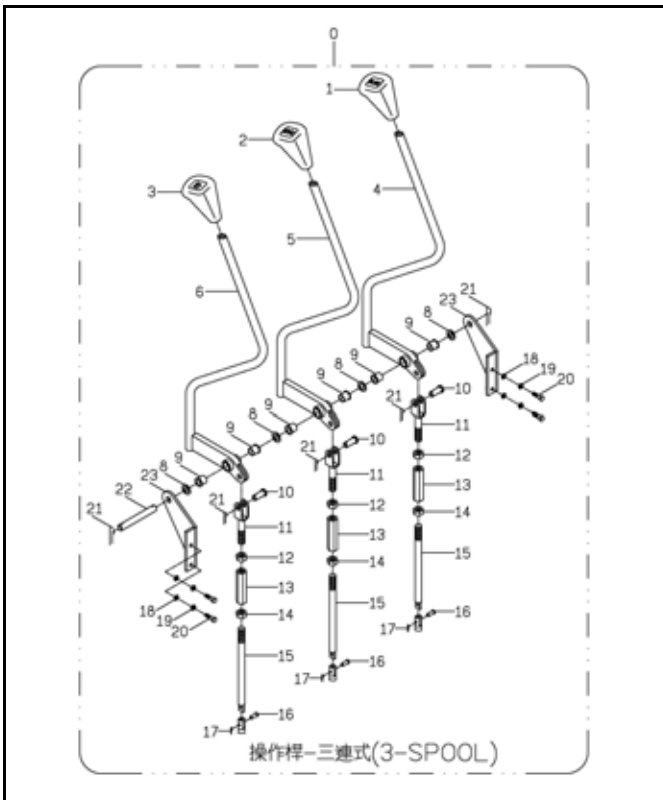
操作桿組

A307-2

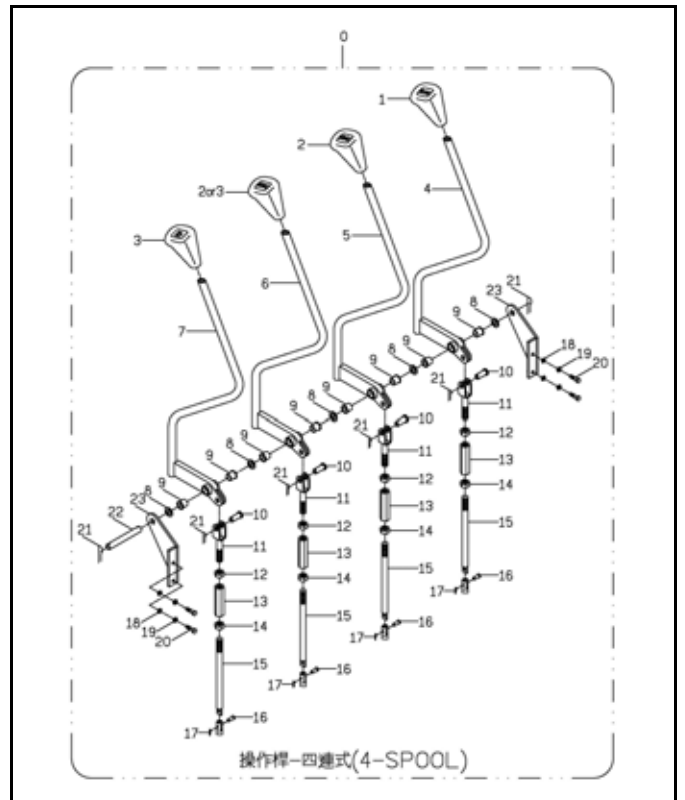
LINKAGE LEVER ASSY

圖解索引  
ILLUSTRATION INDEX

操縱系統 A307 CONTROL SYSTEM



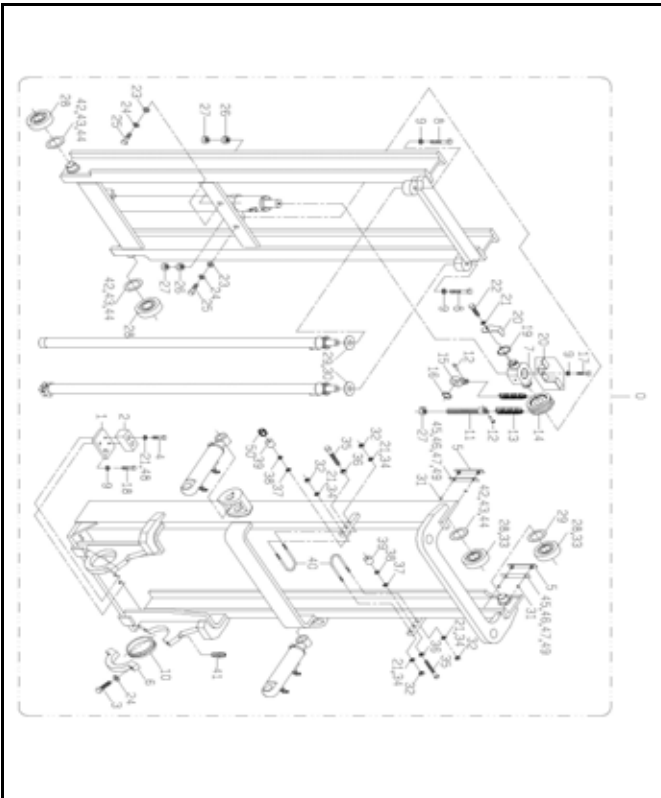
操作桿組  
A307-2  
LINKAGE LEVER ASSY



操作桿組  
A307-2  
LINKAGE LEVER ASSY

圖解索引  
ILLUSTRATION INDEX

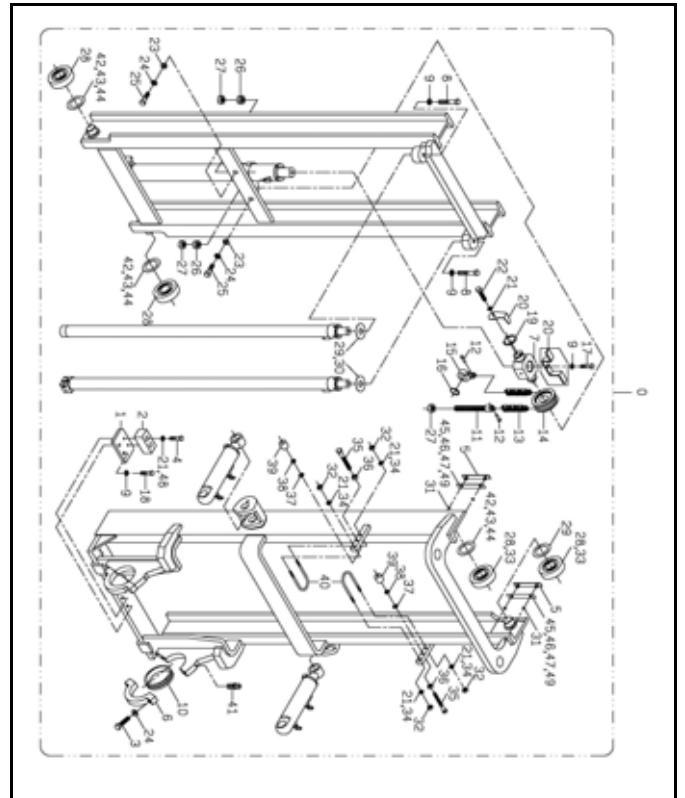
升降系統 A308 MAST SYSTEM



二截式桅桿配件組

A308-1

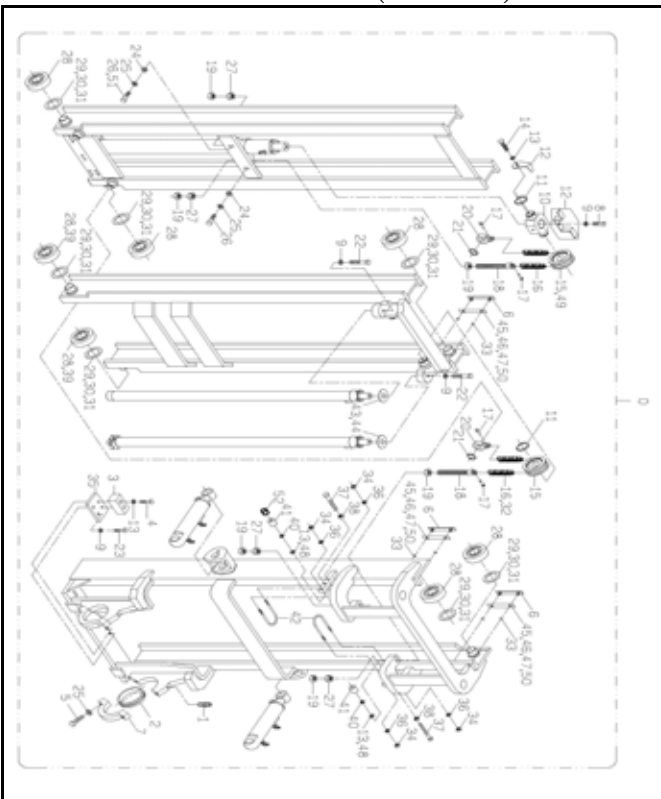
MAST FITTING (DUPLEX)



二截式貨櫃型桅桿配件組

A308-1A

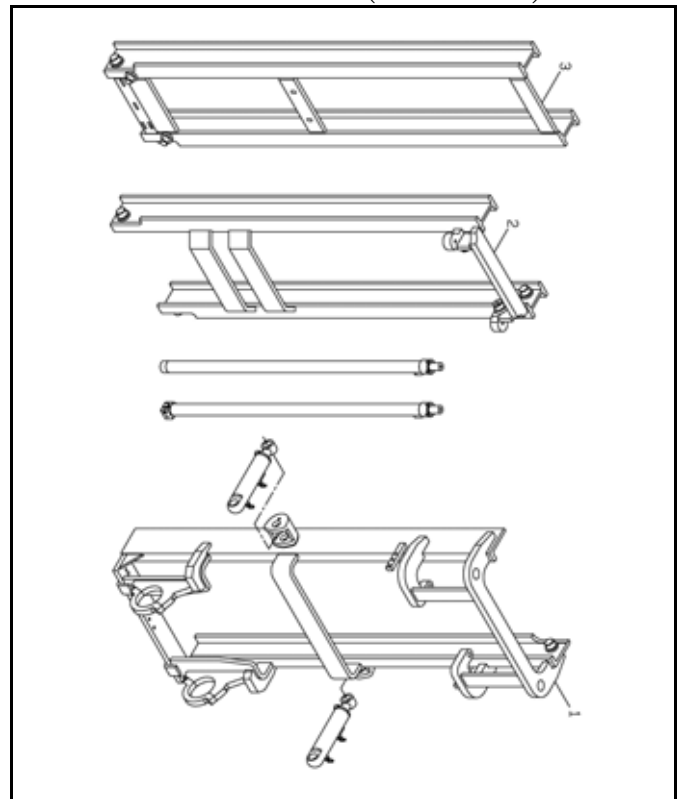
MAST FITTING (FULL FREE)



三截式桅桿配件組

A308-1B

MAST FITTING (TRIPLEX)



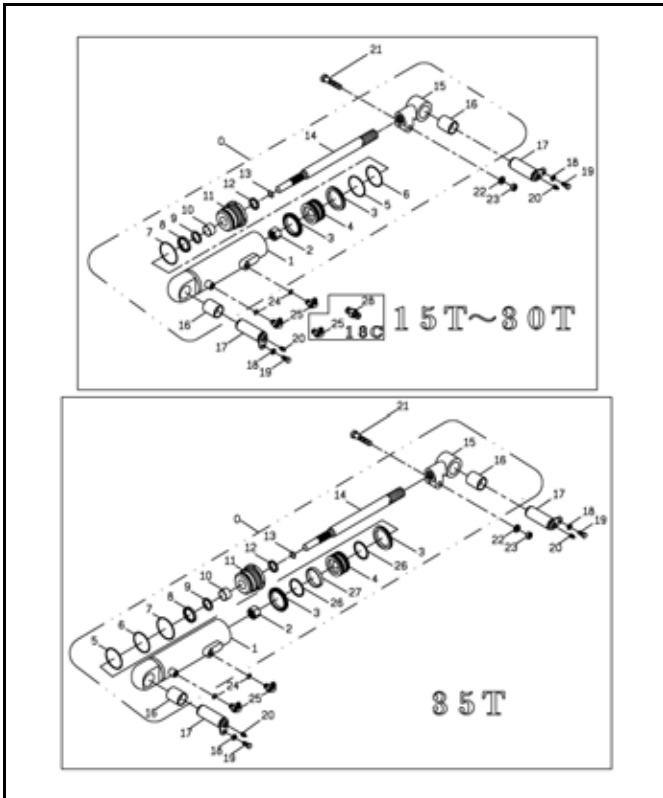
滑軌組

A308-2

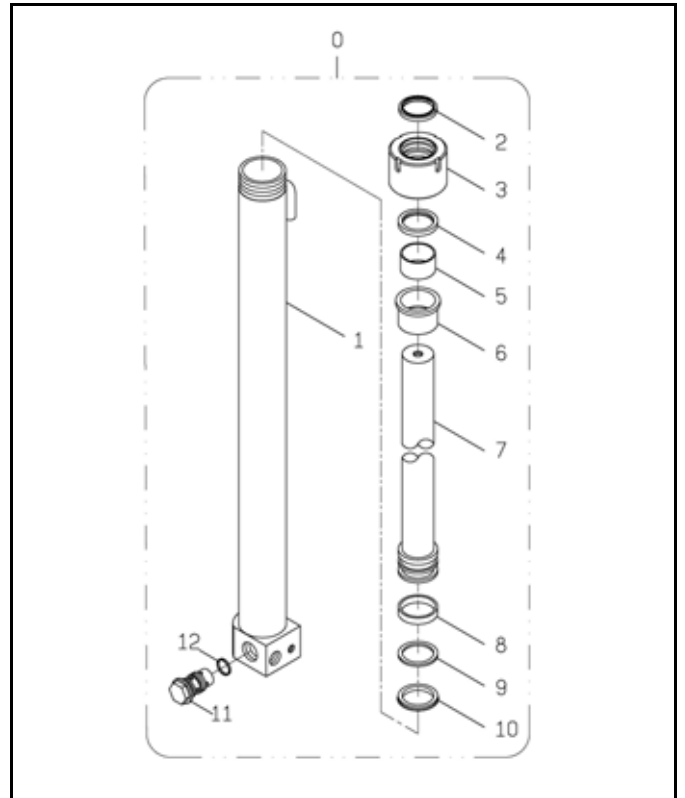
MAST ASSY

圖解索引  
ILLUSTRATION INDEX

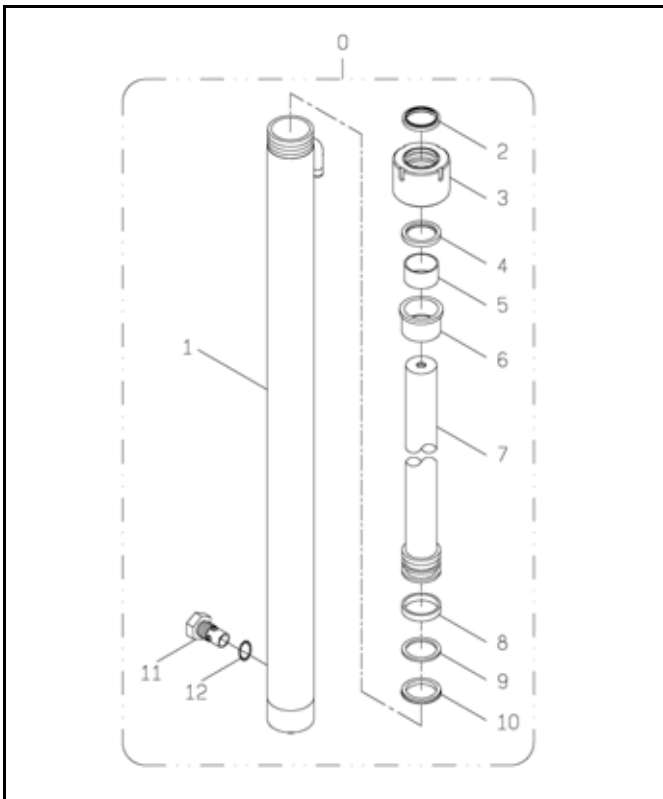
升降系統 A308 MAST SYSTEM



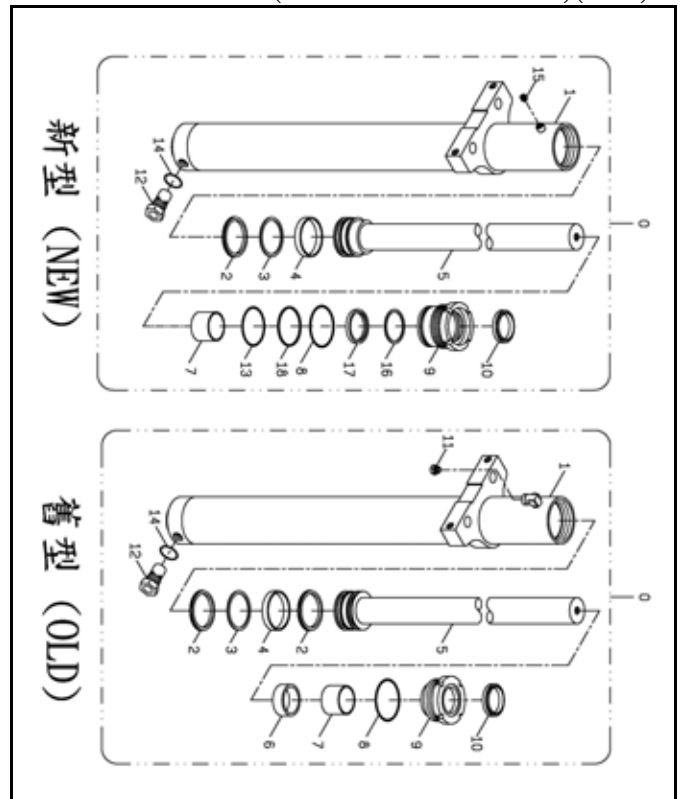
傾斜缸組  
A308-3  
TILT CYLINDER



二、三截式升降缸組(右)  
A308-4  
LIFT CYLINDER (DUPLEX & TRIPLEX)(R.H.)



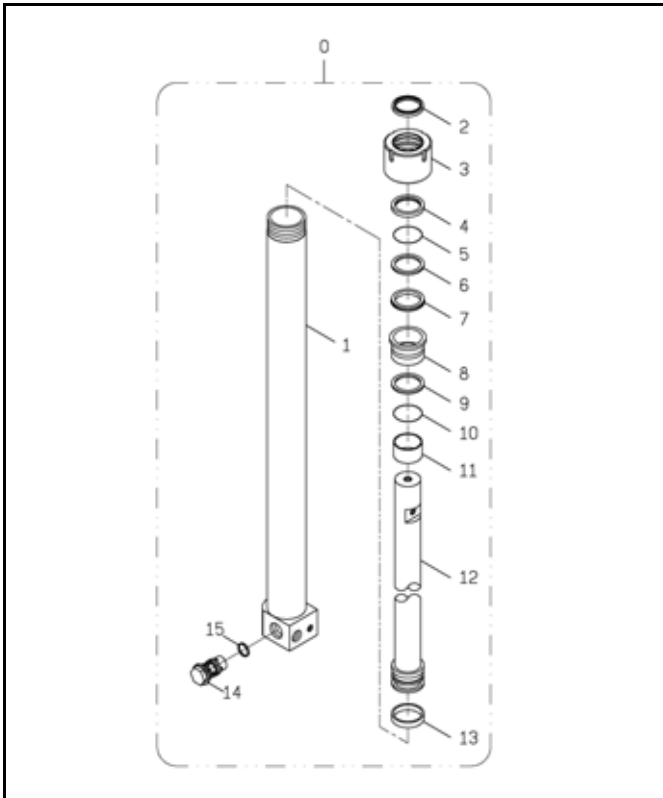
二、三截式升降缸組(左)  
A308-4A  
LIFT CYLINDER (DUPLEX & TRIPLEX)(L.H.)



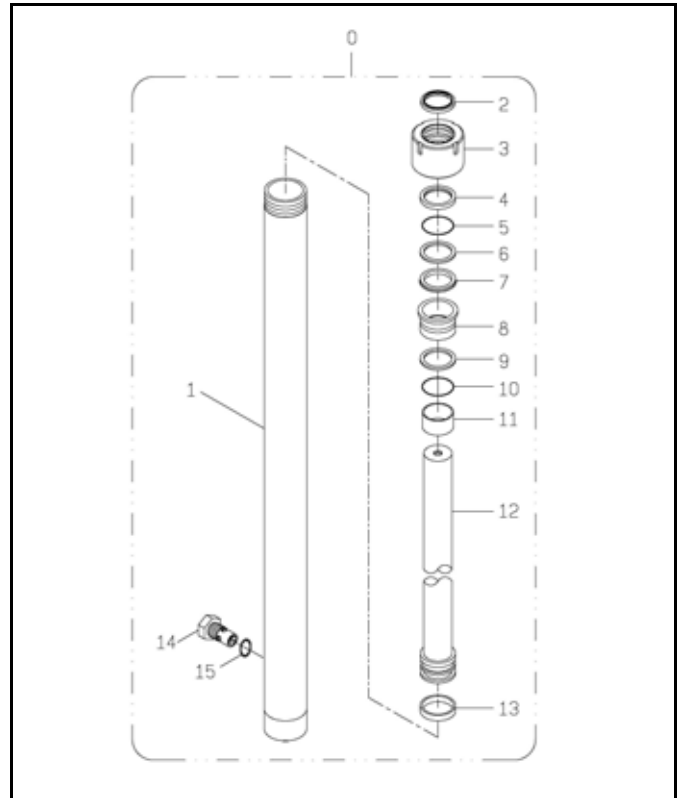
二、三截式貨櫃型油壓缸組  
A308-4B  
LIFT CYLINDER (FULL FREE & TRIPLEX)

圖解索引  
ILLUSTRATION INDEX

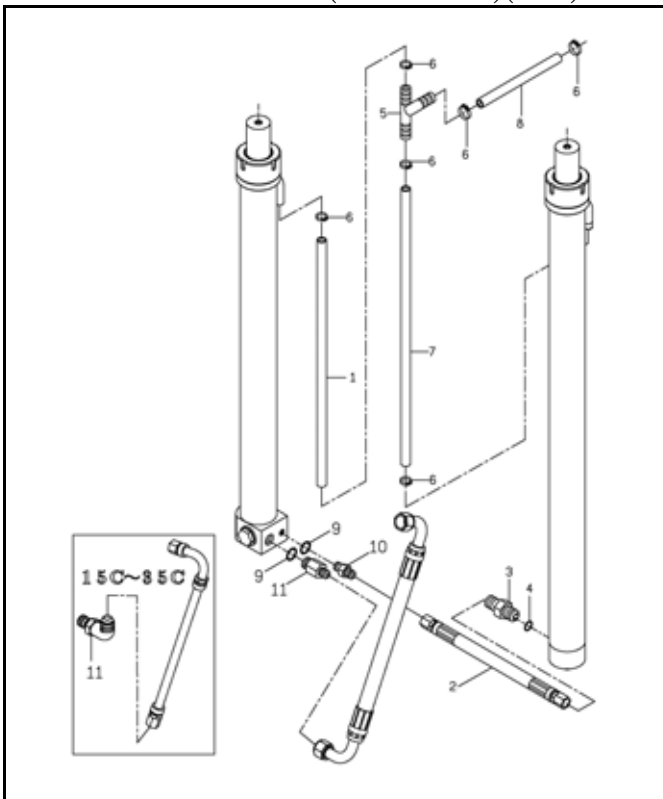
升降系統 A308 MAST SYSTEM



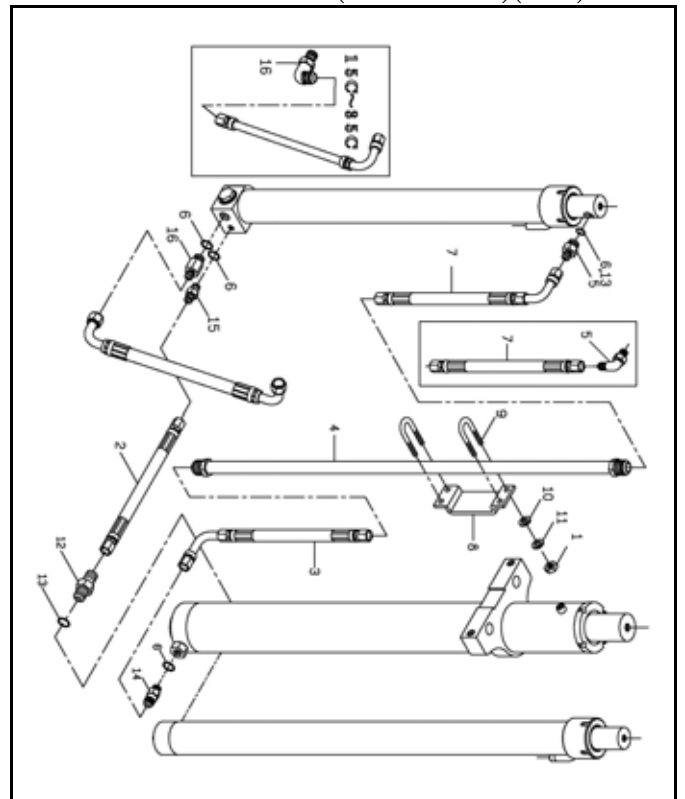
二截式貨櫃型升降缸組(右)  
A308-4C  
LIFT CYLINDER (FULL FREE)(R.H.)



二截式貨櫃型升降缸組(左)  
A308-4D  
LIFT CYLINDER (FULL FREE)(L.H.)



二截式升降缸配管組  
A308-5  
LIFT CYLINDER FITTING (DUPLEX)

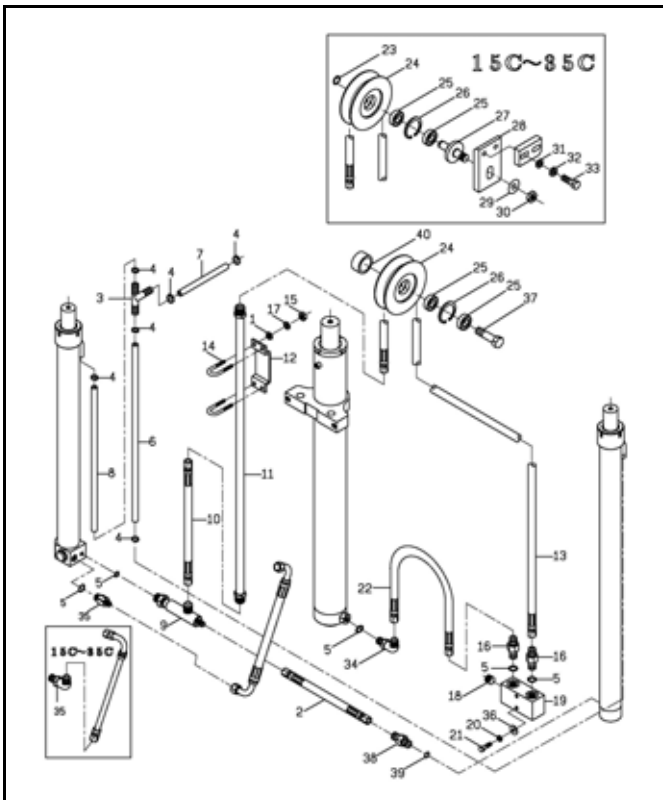


二截式貨櫃型升降缸配管組  
A308-5A  
LIFT CYLINDER FITTING (FULL FREE)



圖解索引  
ILLUSTRATION INDEX

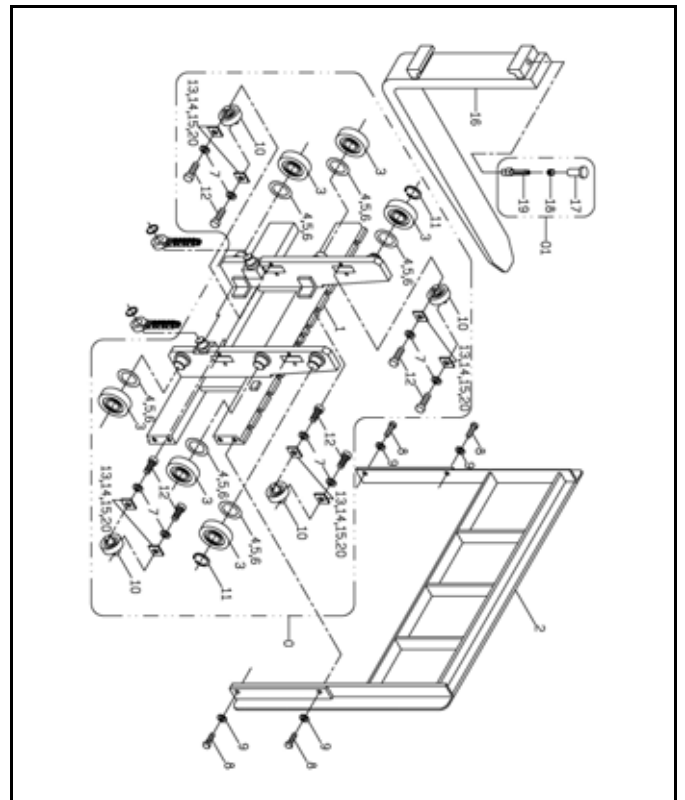
升降系統 A308 MAST SYSTEM



三截式升降缸配管組

A308-5B

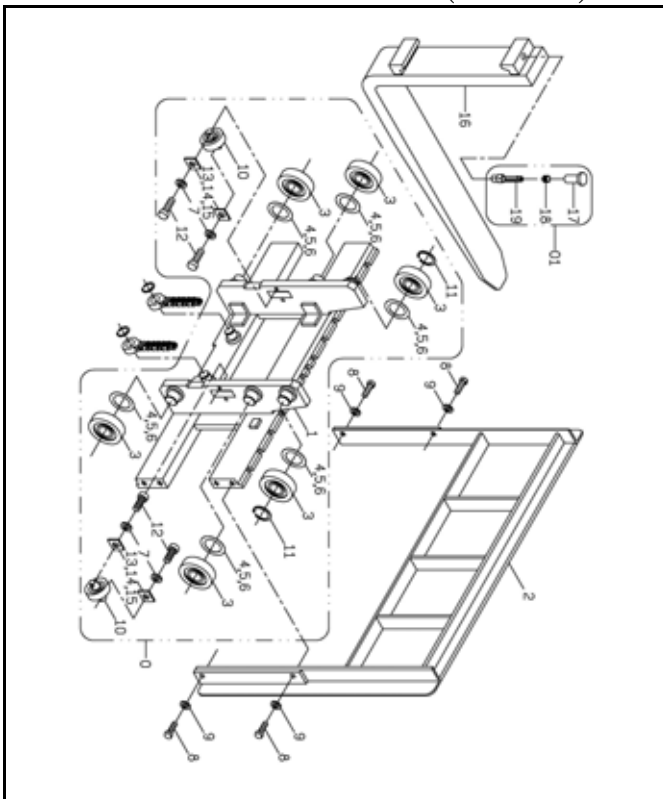
LIFT CYLINDER FITTING (TRIPLEX)



二截式貨叉架組

A308-6

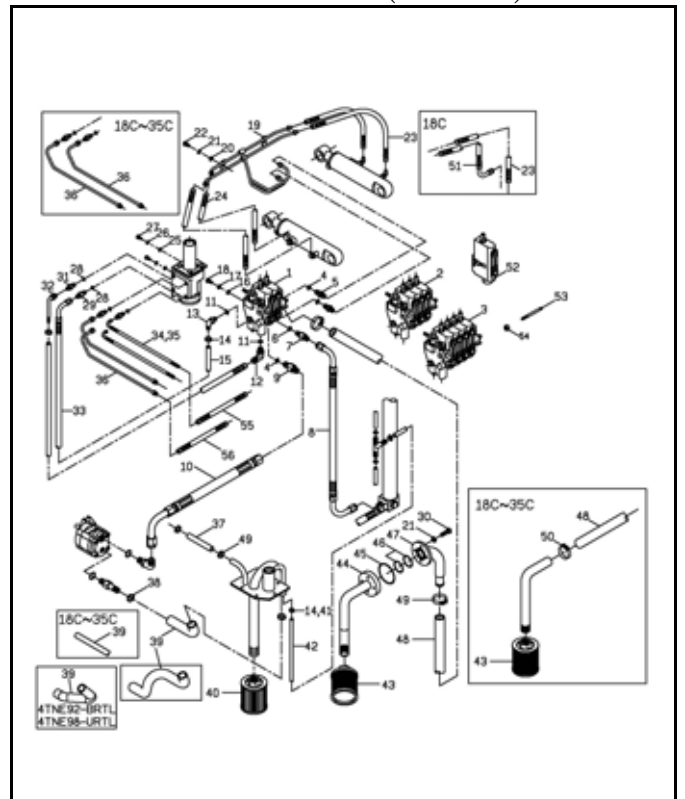
LIFT BRACKET (DUPLEX)



二.三截式貨櫃型貨叉架組

A308-6A

LIFT BRACKET (FULL FREE & TRIPLEX)



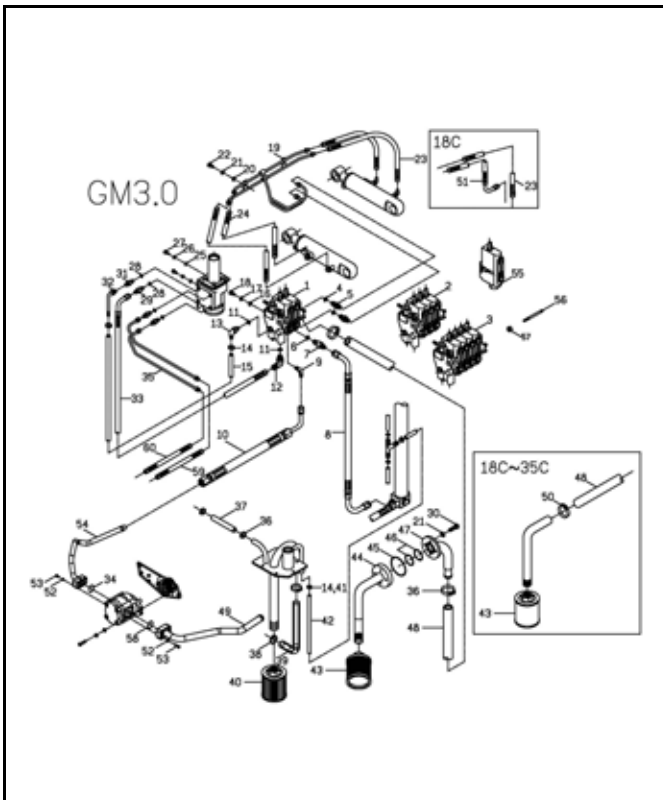
油壓管路組

A308-7

HYDRAULIC LINE

圖解索引  
ILLUSTRATION INDEX

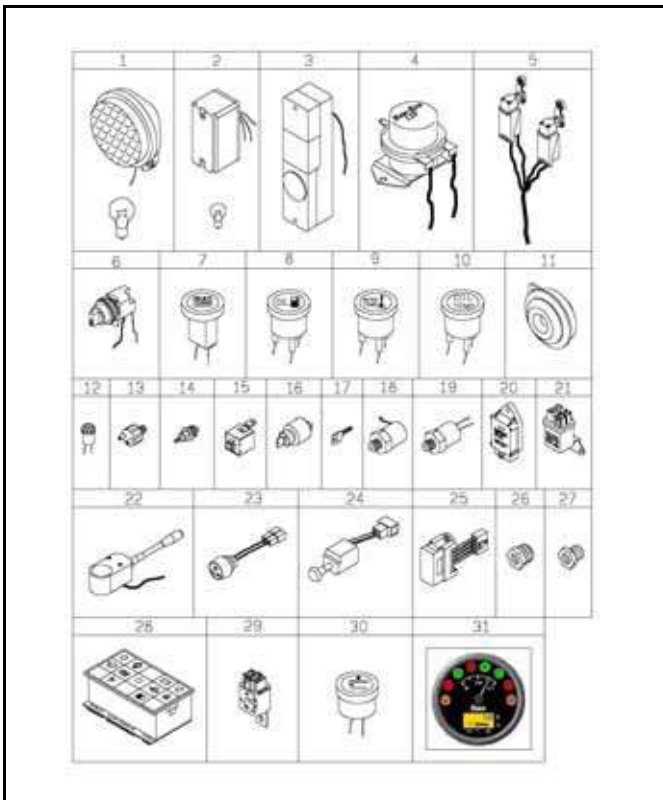
升降系統 A308 MAST SYSTEM



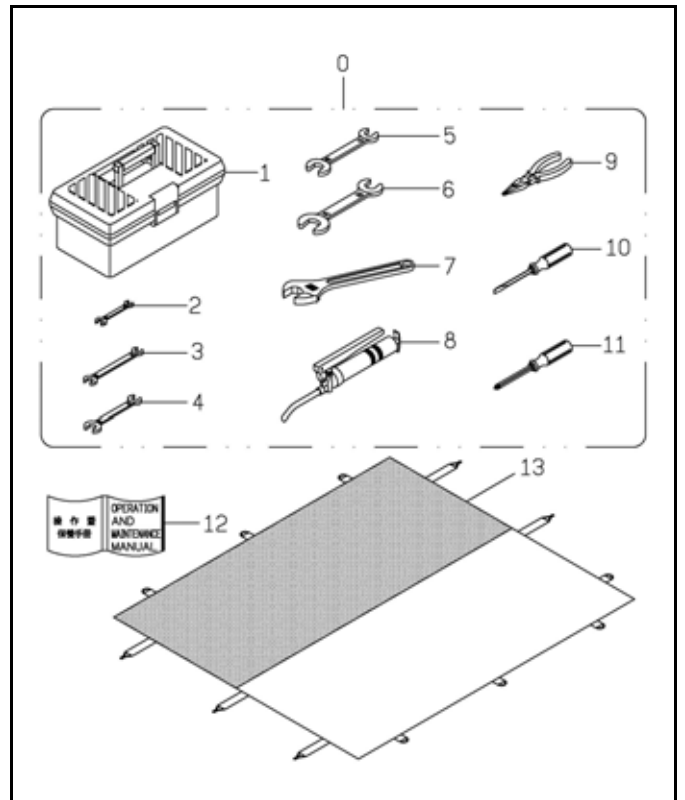
油壓管路組  
A308-7A  
HYDRAULIC LINE GM3.0

# 圖解索引 ILLUSTRATION INDEX

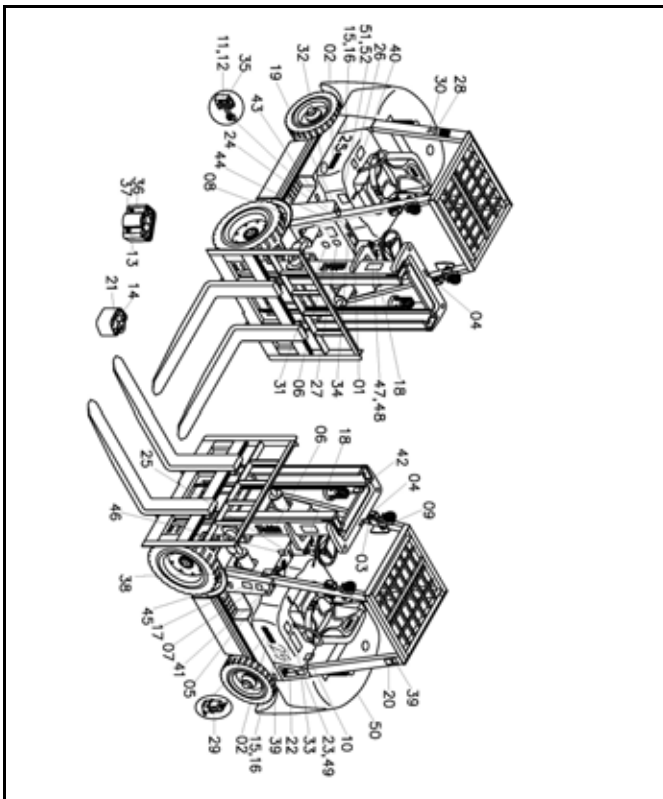
## 附件系統 A309 ACCESSORY SYSTEM



儀錶與開關  
A309-1  
METER & SWITCH



工具箱組  
A309-2  
TOOLS BOX ASSY



銘牌與貼紙  
A309-3  
PLATE & STICKER



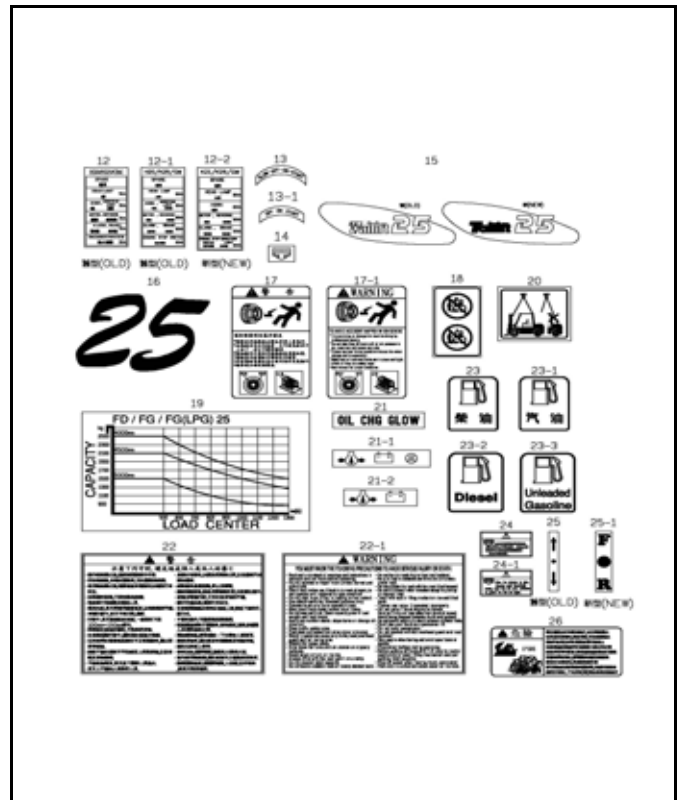
銘牌與貼紙  
A309-3  
PLATE & STICKER

# 圖解索引 ILLUSTRATION INDEX

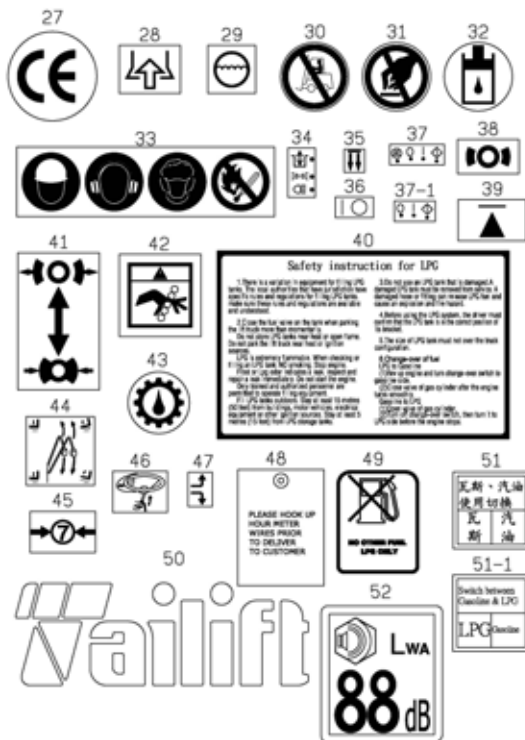
## 附件系統 A309 ACCESSORY STSTEM



銘牌與貼紙  
A309-3  
PLATE & STICKER



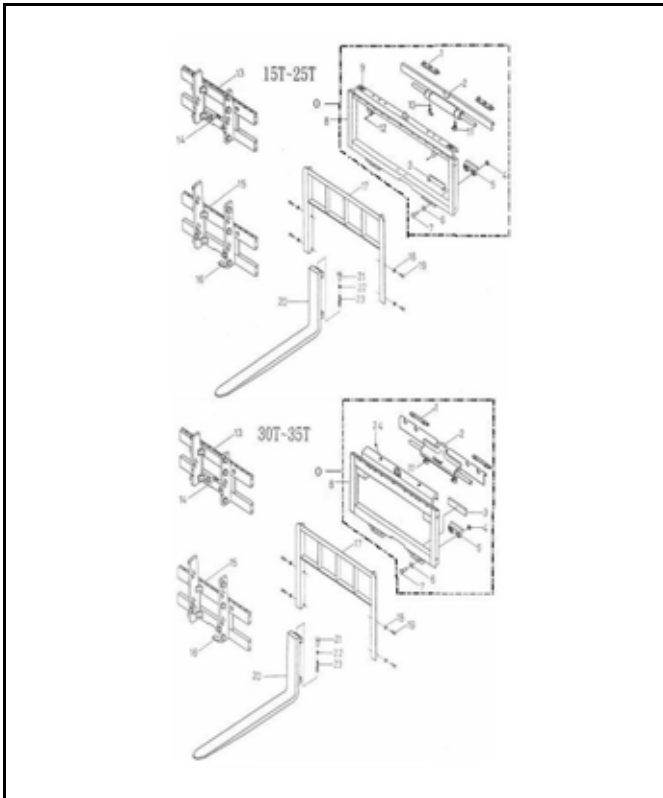
銘牌與貼紙  
A309-3  
PLATE & STICKER



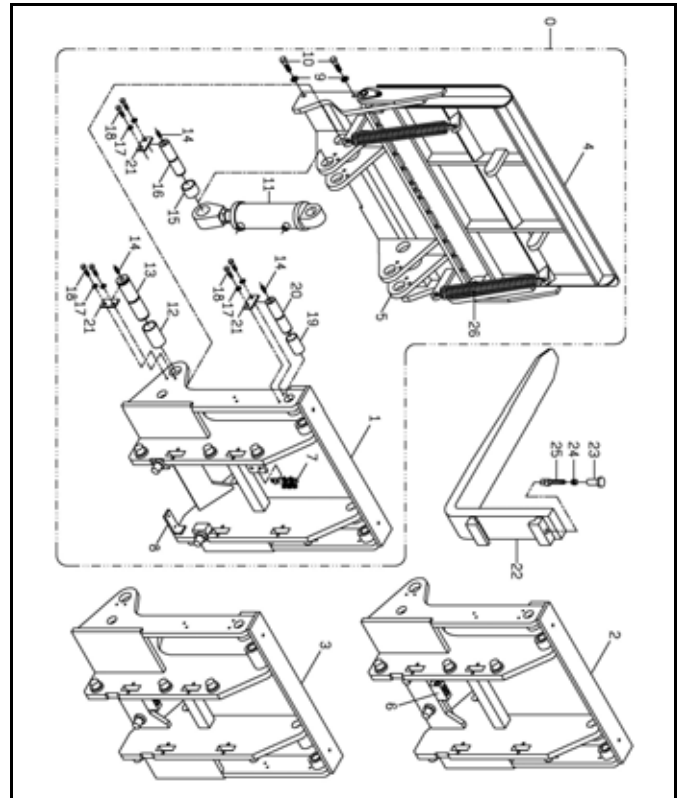
圖解索引

ILLUSTRATION INDEX

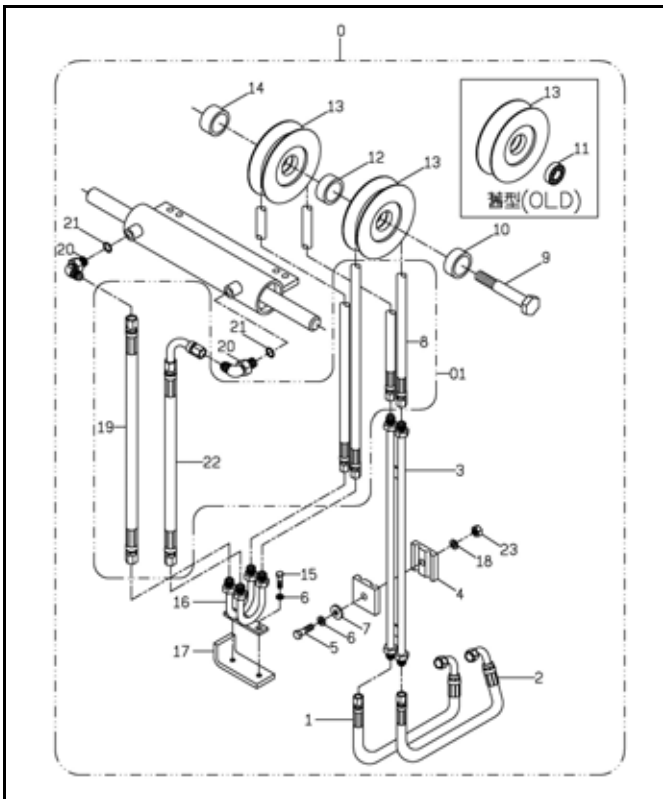
選配配件系統 A310 CHOOSE ACCESSORY SYSTEM



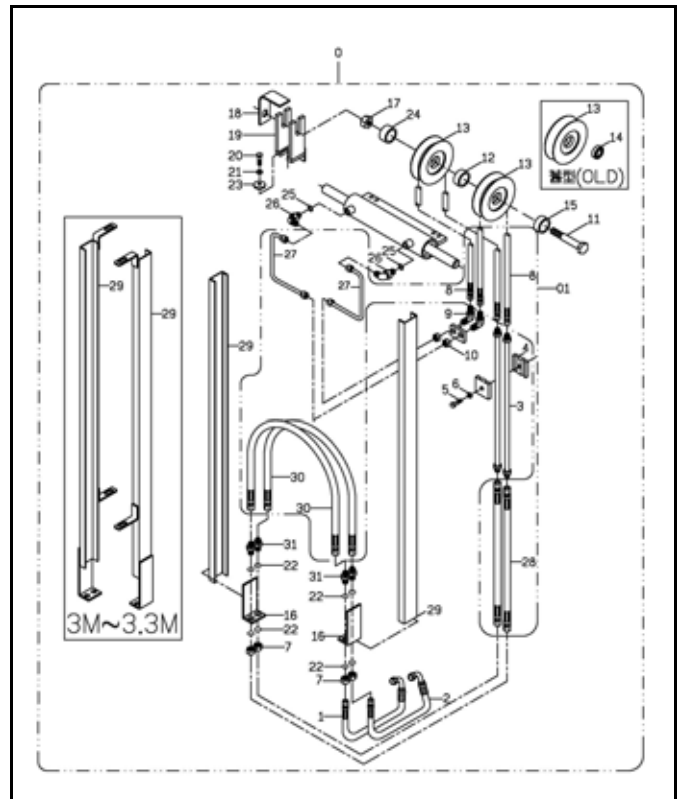
側移組  
A310-1  
SIDE SHIFT



傾卸組  
A310-2  
HINGED FORK



二截式側移配管組  
A310-3  
HOSE & ROLL FOR SIDE SHIFT (DUPLEX)

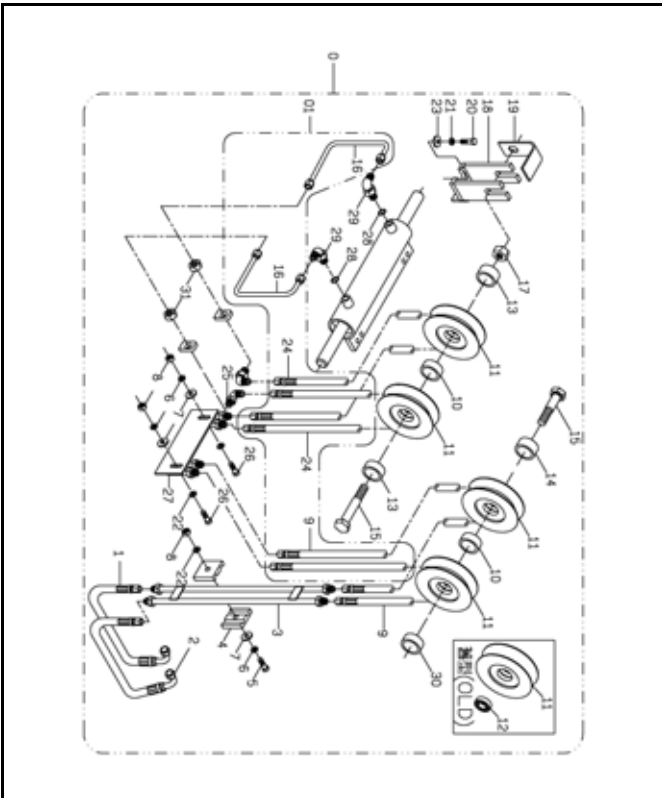


二截式貨櫃型側移配管組  
A310-3A  
HOSE & ROLL FOR SIDE SHIFT (FULL FREE)

圖解索引

ILLUSTRATION INDEX

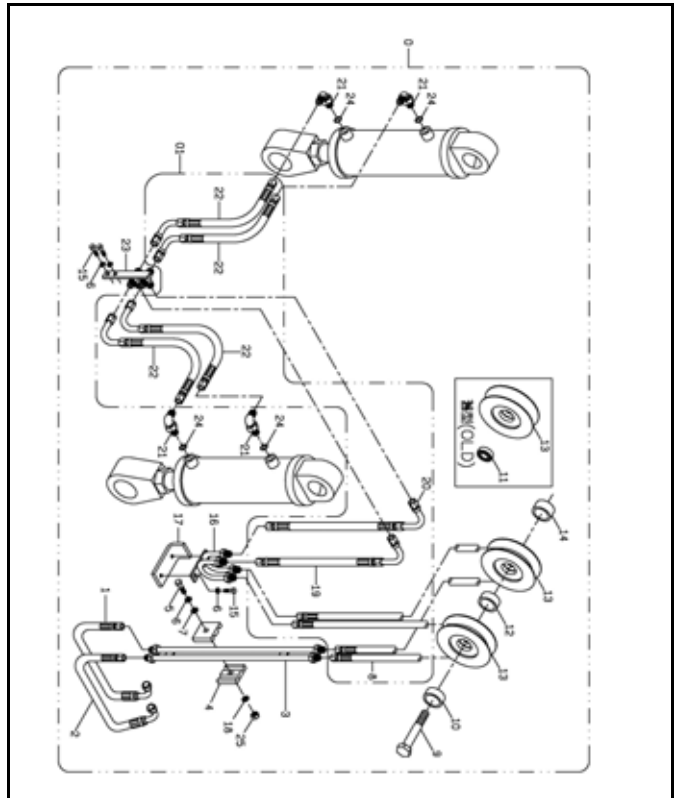
選配配件系統 A310 CHOOSE ACCESSORY SYSTEM



三截式側移配管組

A310-3B

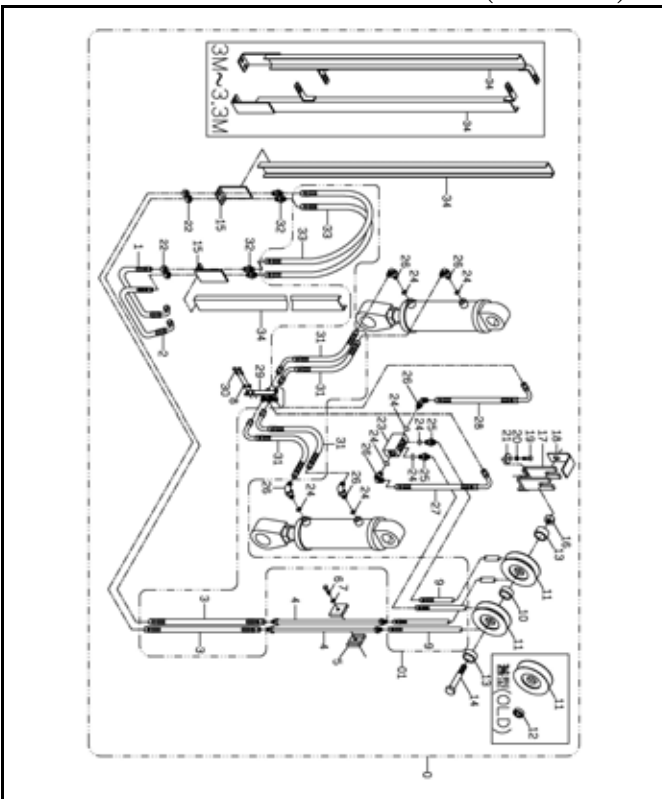
HOSE & ROLL FOR SIDE SHIFT (TRIPLEX)



二截式傾卸配管組

A310-3C

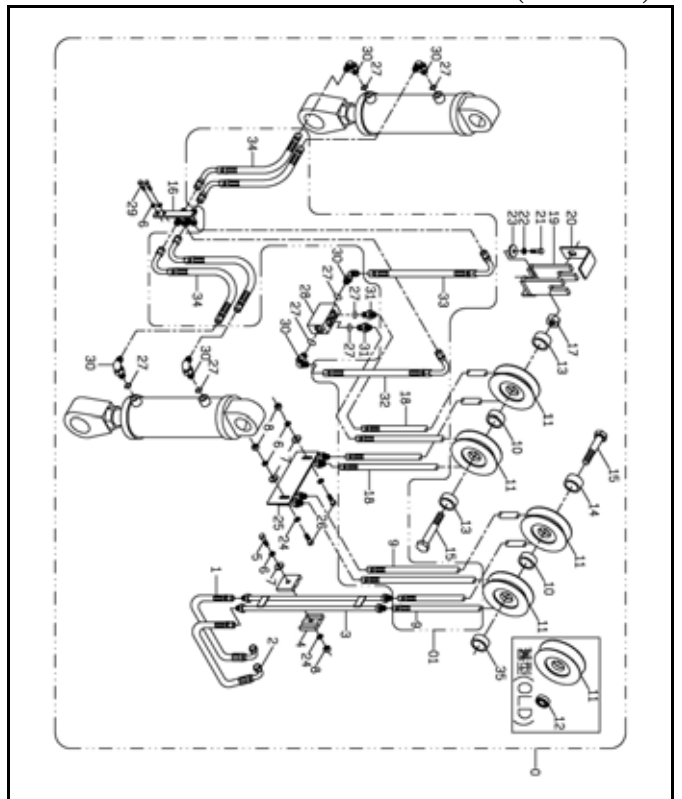
HOSE & ROLL FOR HINGED FORK (DUPLEX)



二截式真真空傾卸配管組

A310-3D

HOSE & ROLL FOR HINGED FORK (FULL  
VACUUM)



三截式傾卸配管組

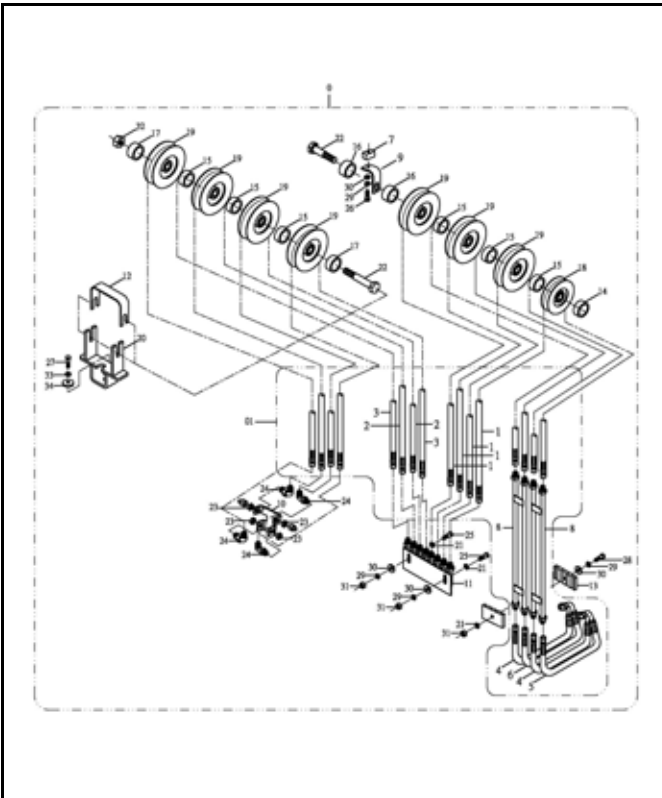
A310-3E

HOSE & ROLL FOR HINGED FORK (TRIPLEX)

圖解索引

ILLUSTRATION INDEX

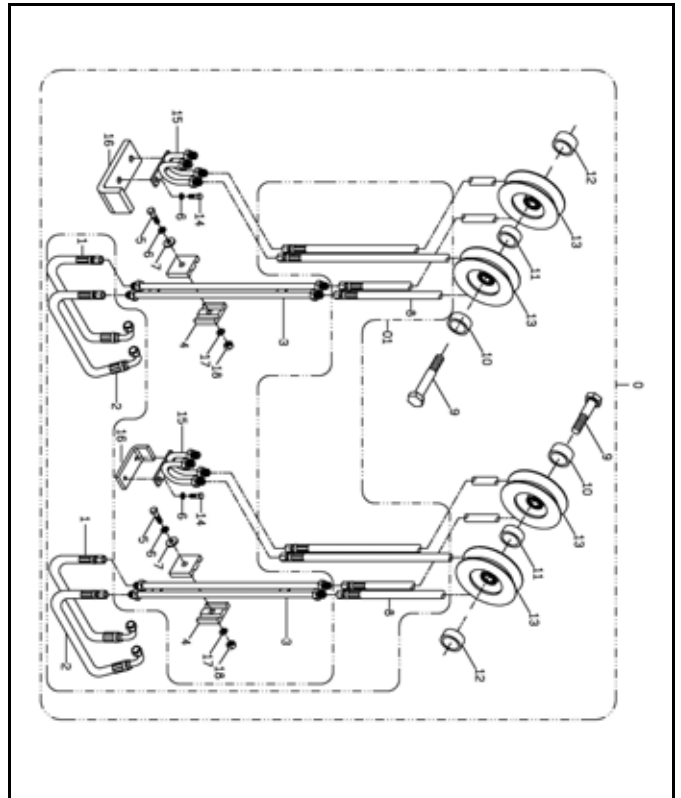
選配配件系統 A310 CHOOSE ACCESSORY SYSTEM



三截式四排配管組

A310-3F

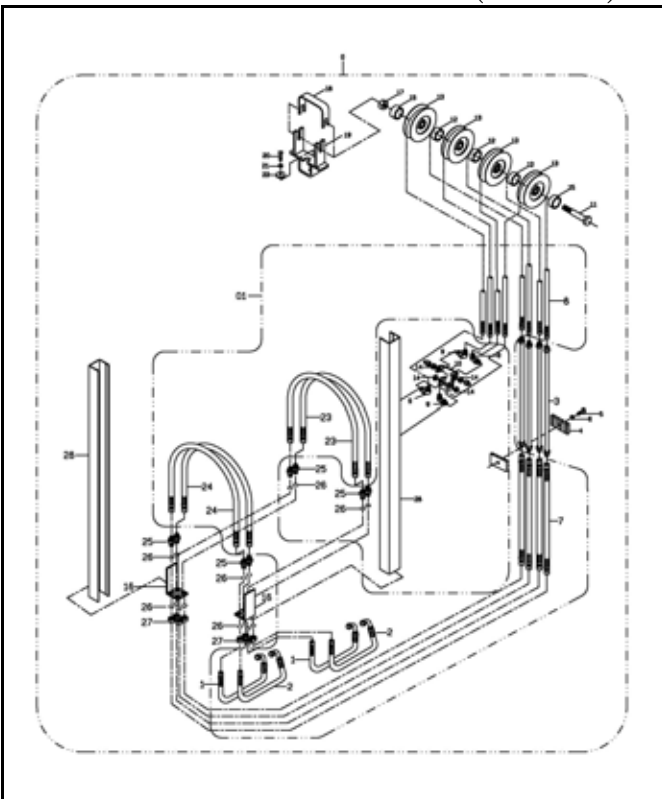
HOSE & ROLL OF FOUR-ROW (TRIPLEX)



二截式四排配管組

A310-3G

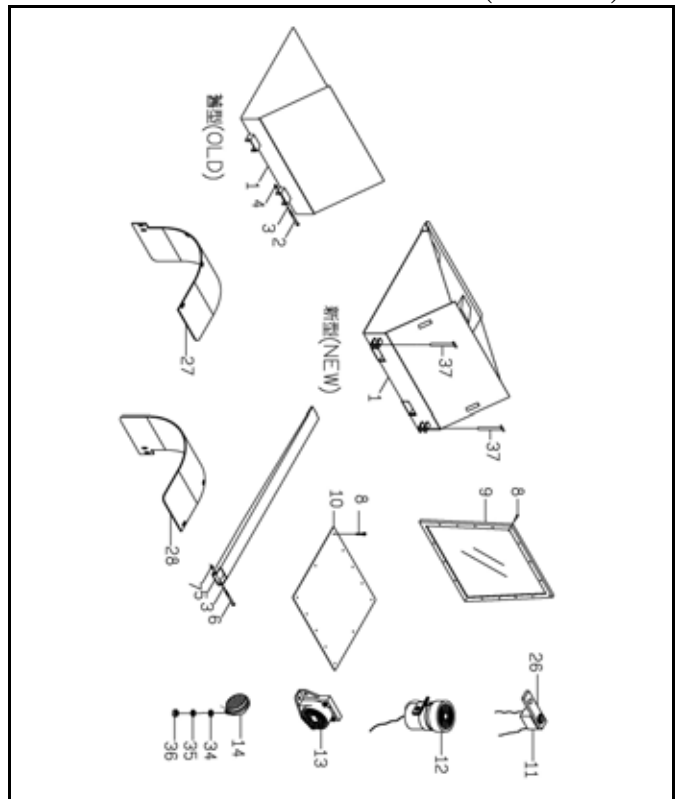
HOSE & ROLL OF FOUR ROW (DUPLEX)



二截式貨櫃型四排配管組

A310-3H

HOSE & ROLL OF FOUR ROW (FULL FREE)



選附配件組

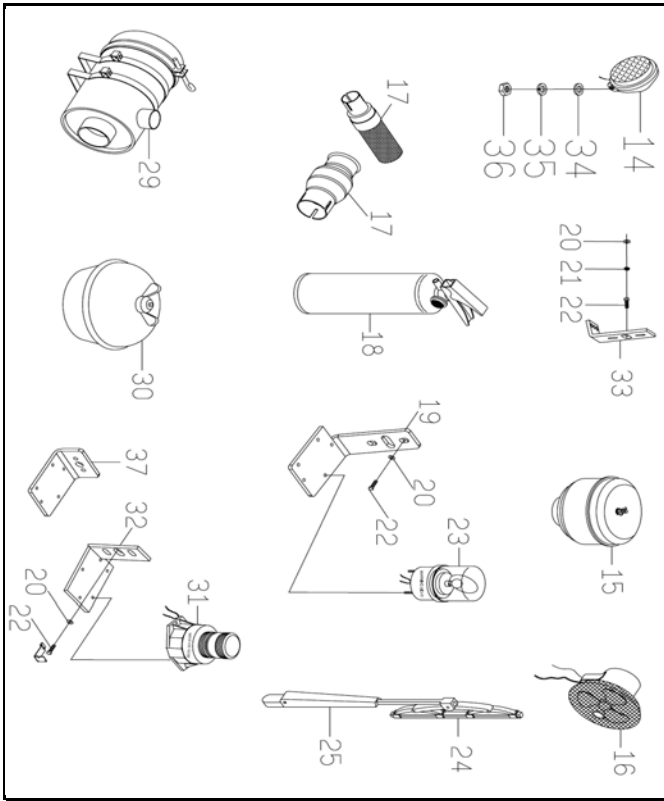
A310-4

CHOOSE ACCESSORY OVERALL

圖解索引

ILLUSTRATION INDEX

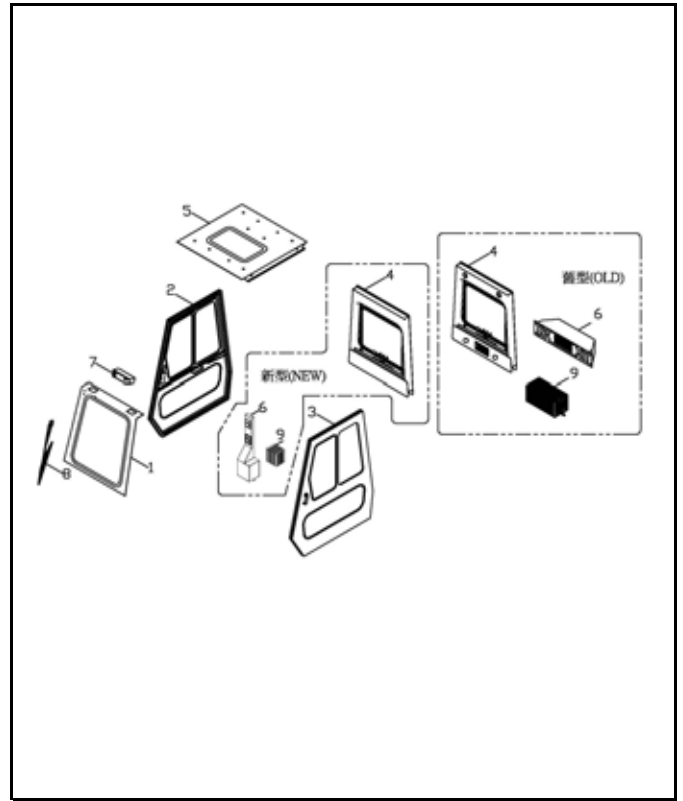
選配配件系統 A310 CHOOSE ACCESSORY SYSTEM



選附配件組

A310-4

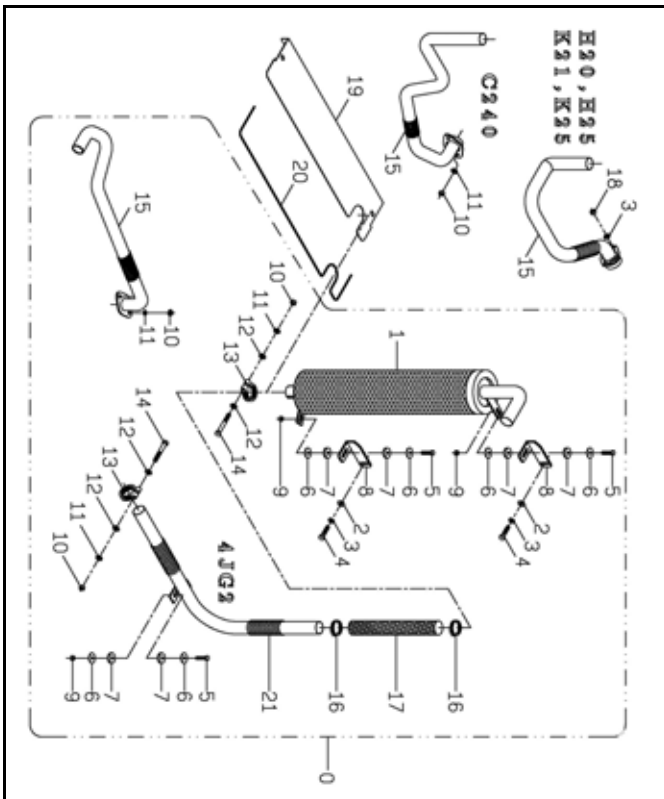
CHOOSE ACCESSORY OVERALL



選附座艙組

A310-4A

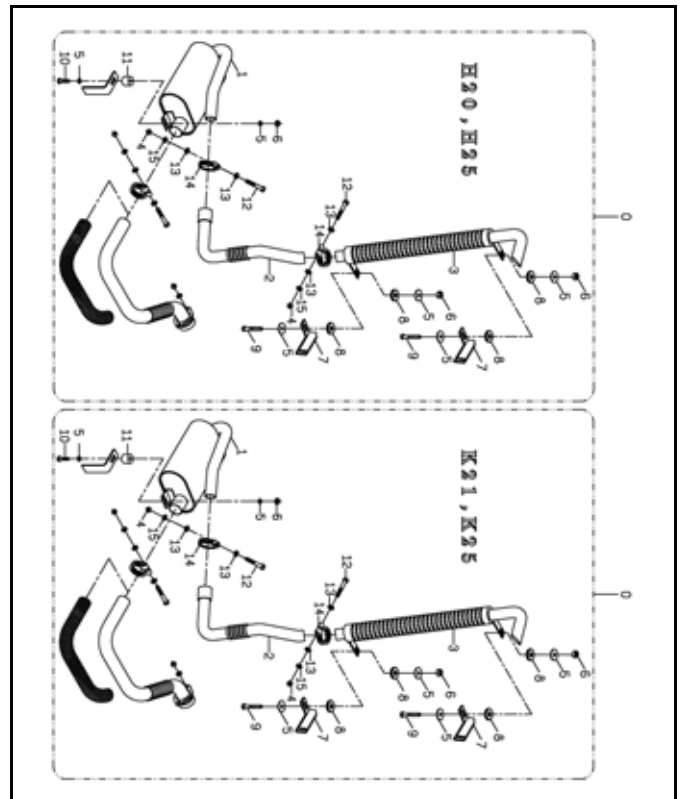
CHOOSE ACCESSORY COCKPIT



立式向上排氣管組

A310-5

EXHAUST PIPE



向上排氣管組

A310-5A

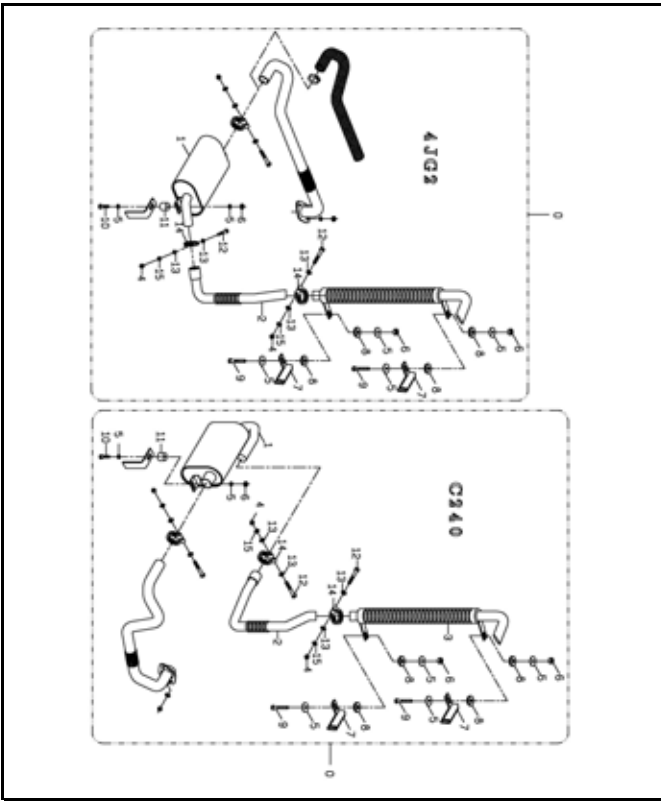
UPWARD EXHAUST PIPE



圖解索引

ILLUSTRATION INDEX

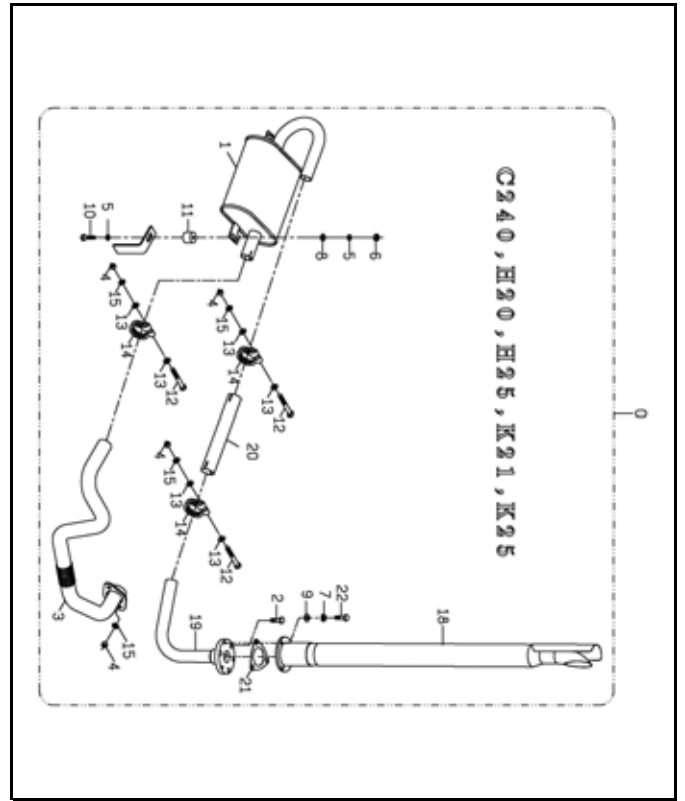
選配配件系統 A310 CHOOSE ACCESSORY SYSTEM



向上排氣管組

A310-5A

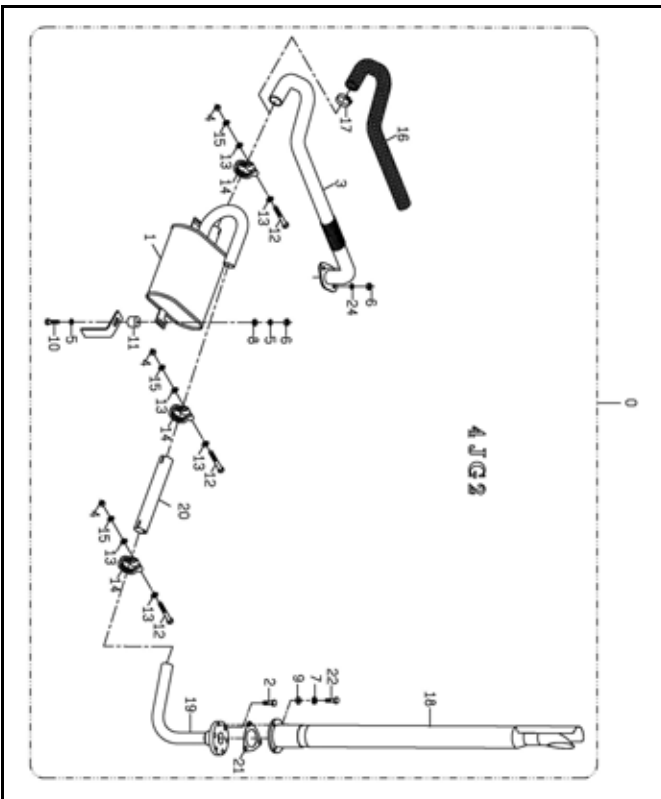
UPWARD EXHAUST PIPE



向上排氣管組

A310-5B

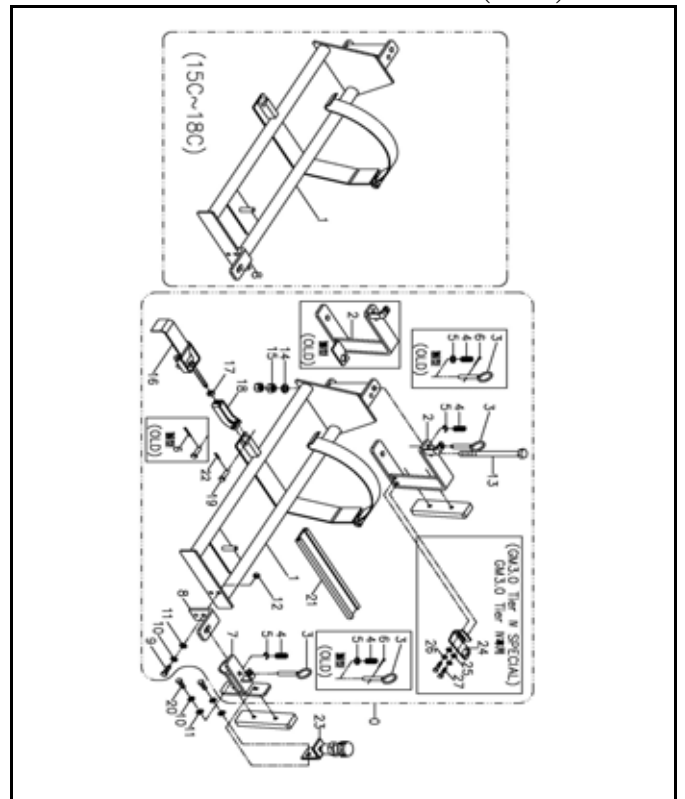
UPWARD EXHAUST PIPE (7L II)



向上排氣管組

A310-5B

UPWARD EXHAUST PIPE (7L II)



背式瓦斯桶架

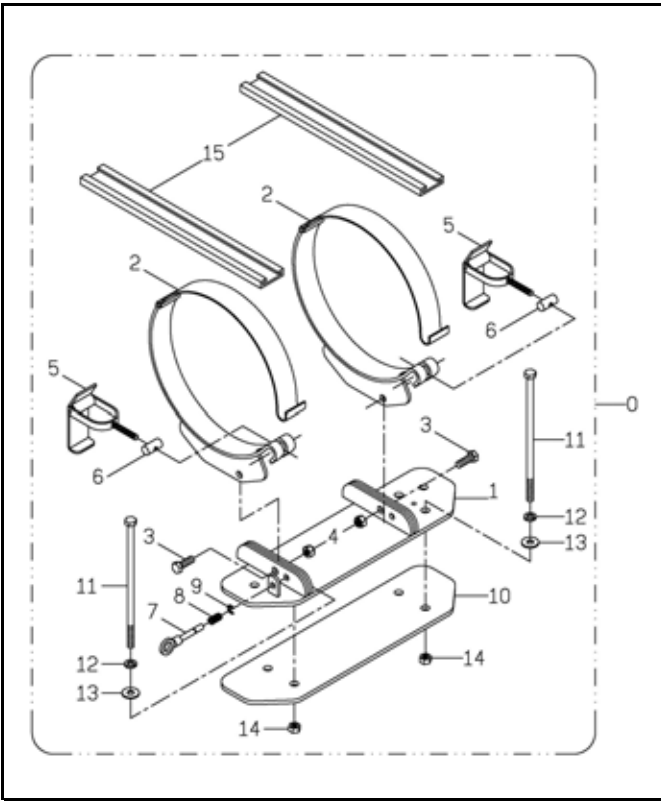
A310-6

CARRYING LPG TANK BRACKET ASSEMBLY

圖解索引

ILLUSTRATION INDEX

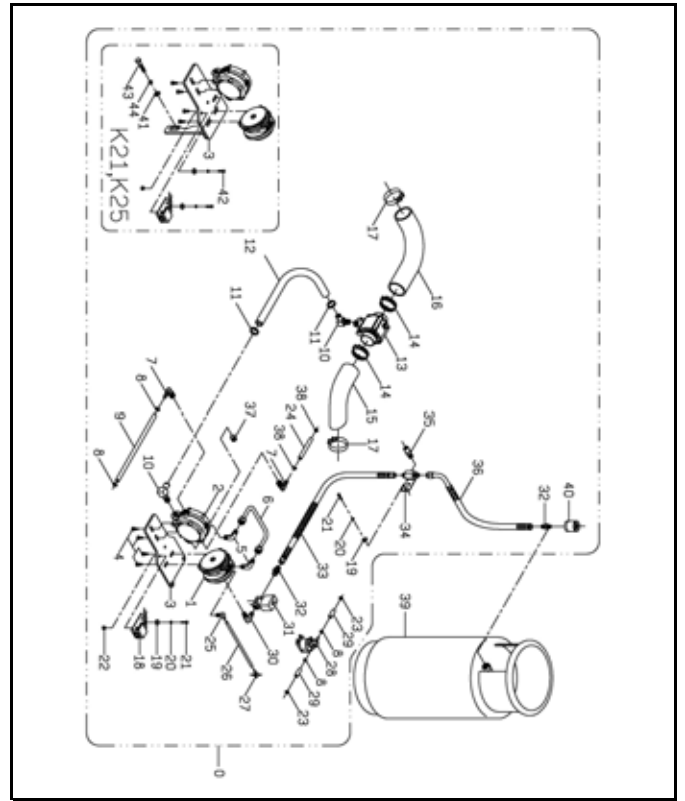
選配配件系統 A310 CHOOSE ACCESSORY SYSTEM



立式瓦斯桶架

A310-6A

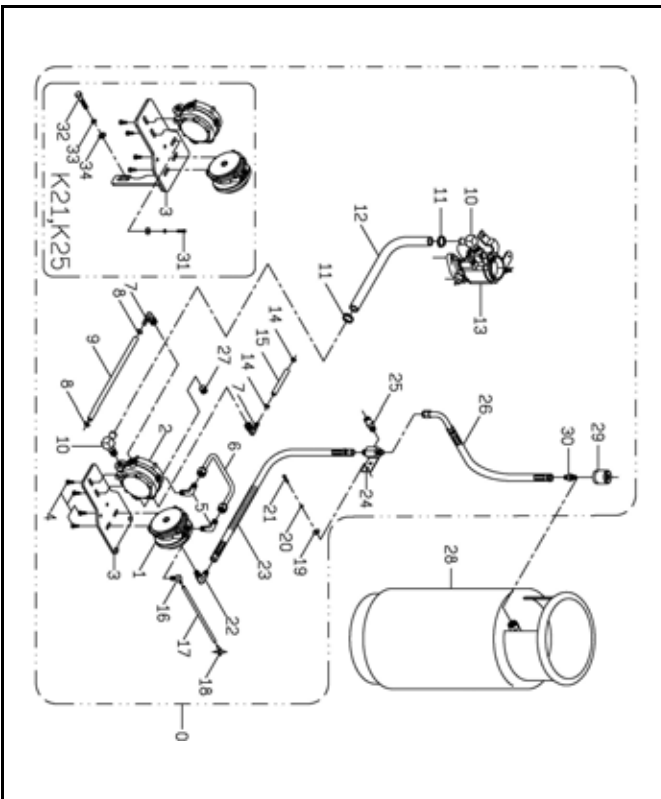
UPRINGHT LPG TANK BRACKET ASSEMBLY



雙燃料瓦斯轉換器組

A310-7

LPG & GASOLING-FUEL SUPPLY SYSTEM



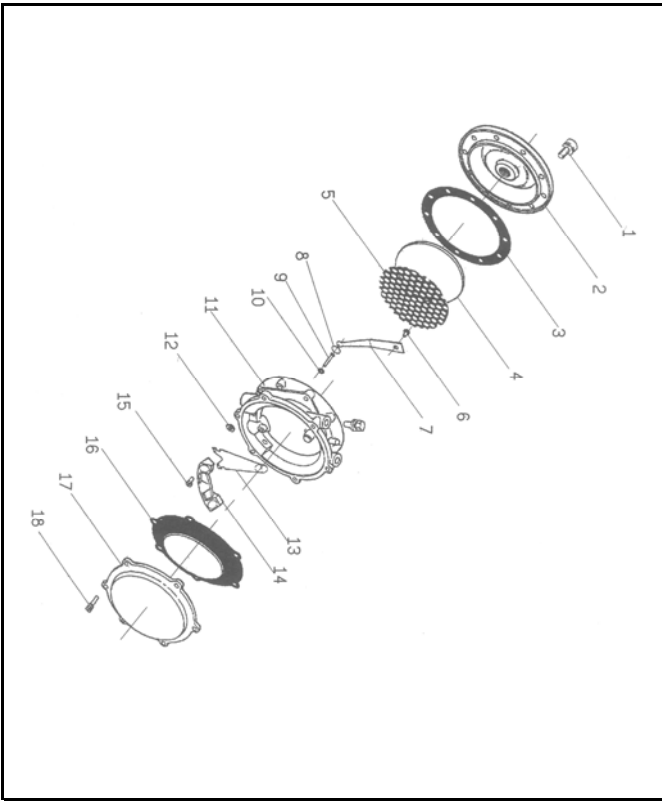
單燃料瓦斯轉換器組

A310-7A

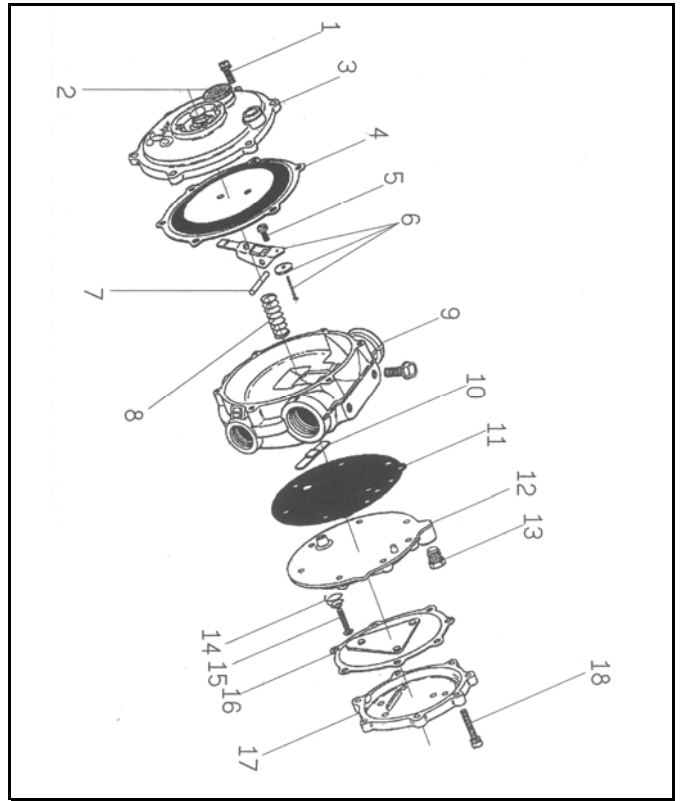
LPG-FUEL SUPPLY SYSTEM

圖解索引  
ILLUSTRATION INDEX

修理包系統 A311 REPAIR KIT SYSTEM



過濾器  
A311-1  
FILTER & LOCK-OFF VALVE



轉換器  
A311-2  
LPG CONVERTER

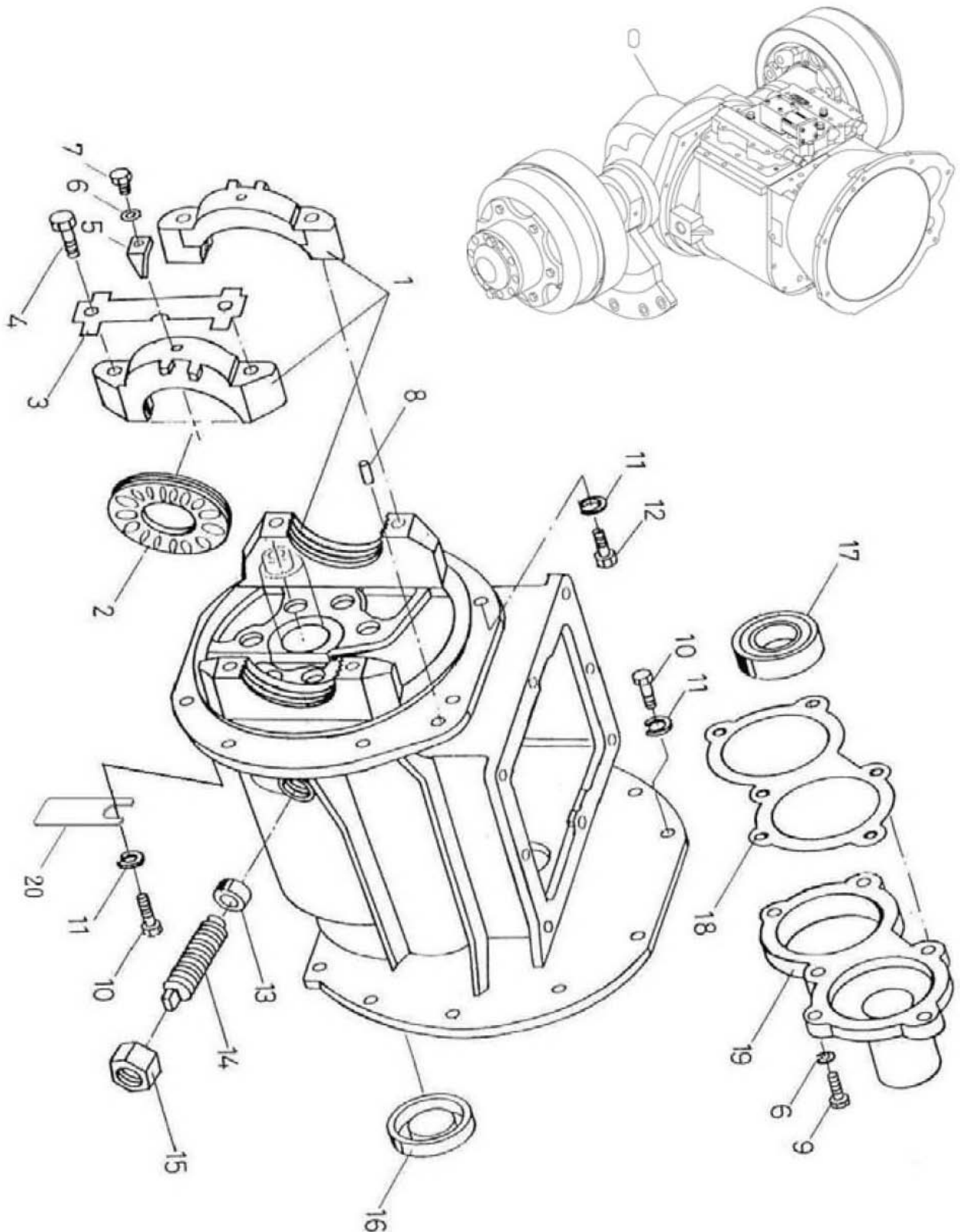


修理包總覽  
A311-3  
REPAIR KIT OVERALL

變速箱系統  
A301  
TRANSMISSION  
SYSTEM

# 變速箱系統 A301 TRANSMISSION SYSTEM

手排變速箱組  
A301-1  
(MT) TRANSMISSION



A301-1-1

# 變速箱系統 A301 TRANSMISSION SYSTEM

手排變速箱組

A301-1

(MT)TRANSMISSION

編號 NO.	零件名稱 PART NAME														機號 BODY NO.	備註 REMARK				
	新碼 NEW PART NO.	舊碼 OLD PART NO.	規格 SPECIFICATION	互換性 I T C	應用日期 APPLIED DATE	數量 Q T Y	FD			FG			FD (C)				FG (C)			
							1	2	3	1	2	3	1	2			3	1	2	3
0	<b>手排變速箱總成(MT)(TRANSMISSION GEAR BOX ASSY)</b>																			
	B350767					1	A	B		G	H									
	B350768					1		C	D		I	J								
	B350769					1			E	F			K	L						
1	<b>變速箱(TRANSMISSION GEAR BOX)</b>																			
	32001	31501001				1	A	B		G	H									
	32002	32501001				1		C	D		I	J								
	32003	33001001				1			E	F			K	L						
2	<b>調整螺絲(BOLT, ADJUSTING)</b>																			
	32004	32501012A				2	A	B	C	D	G	H	I	J						
	32005	33001012A				2			E	F			K	L						
3	<b>防鬆片(PLATE, LOCK)</b>																			
	32006	32501011				2	A	B	C	D	G	H	I	J						
	32007	33001011				2			E	F			K	L						
4	<b>帶梢螺栓(BOLT)</b>																			
	32008	92501010A				4	A	B	C	D	E	F	G	H	I	J	K	L		
5	<b>固定壓板(PLATE)</b>																			
	32009	32501013				2	A	B	C	D	G	H	I	J						
	32010	33001013				2			E	F			K	L						
6	<b>彈簧墊圈(SPRING WASHER)</b>																			
	M1605-M8	92501019				9	A	B	C	D	E	F	G	H	I	J	K	L		
7	<b>六角頭螺栓(BOLT)</b>																			
	M1424-M8*16	92501014				2	A	B	C	D	E	F	G	H	I	J	K	L		
8	<b>平行銷(PIN)</b>																			
	M1301-10*45	92501025				1	A	B	C	D	E	F	G	H	I	J	K	L		
9	<b>六角頭螺栓(BOLT)</b>																			
	32011	92560414				7	A	B	C	D	E	F	G	H	I	J	K	L		
10	<b>六角頭螺栓(BOLT)</b>																			
	M1424013	92501020				12	A	B	C	D	E	F	G	H	I	J	K	L		
11	<b>彈簧墊圈(SPRING WASHER)</b>																			
	M1605-M12	92501024				16	A	B	C	D	E	F	G	H	I	J	K	L		
12	<b>合金螺栓(BOLT)</b>																			
	32012	92501006A				4	A	B	C	D	E	F	G	H	I	J	K	L		
13	<b>固定套(SLEEVE)</b>																			
	32013	32501017				1	A	B	C	D	E	F	G	H	I	J	K	L		
14	<b>固定螺桿(ANCHOR, STUD)</b>																			
	32014	32501015				1	A	B	C	D	E	F	G	H	I	J	K	L		

# 變速箱系統 A301 TRANSMISSION SYSTEM

手排變速箱組

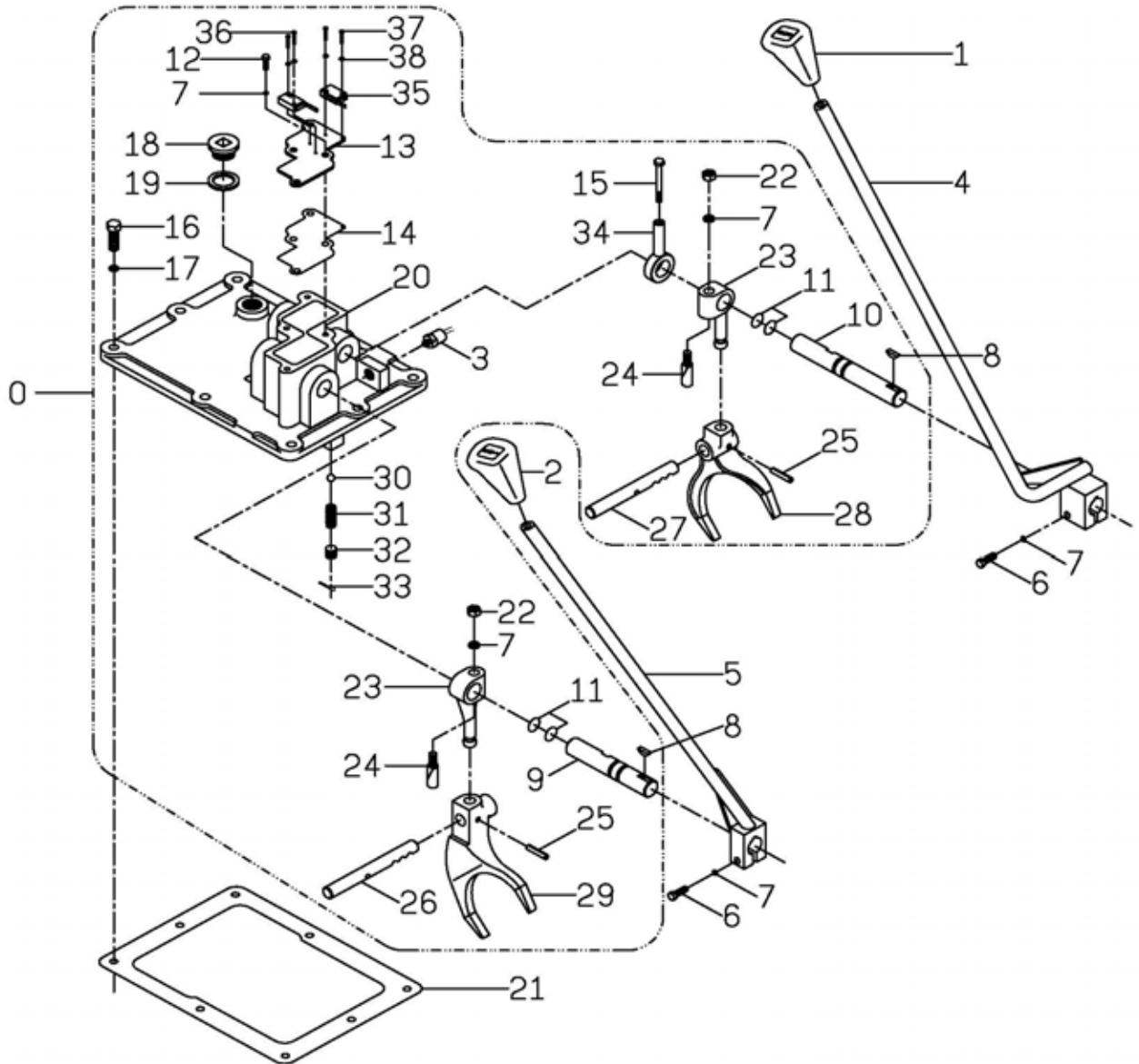
A301-1

(MT)TRANSMISSION

編號 NO.	零件名稱 PART NAME														機號 BODY NO.	備註 REMARK									
	新碼 NEW PART NO.	舊碼 OLD PART NO.	規格 SPECIFICATION	互換性 I T C	應用日期 APPLIED DATE	數量 Q T Y	FD				FG						FD (C)				FG (C)				
							1	2	2	3	3	1	2	2			3	3	1	2	2	3	3	1	2
5	8	0	5	0	5	8	0	5	0	5	8	0	5	0	5	8	0	5	0	5	8	0	5	0	5
A	B	C	D	E	F	G	H	I	J	K	L	M	N	O	P	Q	R	S	T	U	V	W	X		
15	<b>止動螺帽(NUT)</b>																								
	32015	92501016				1	A	B	C	D	E	F	G	H	I	J	K	L							
16	<b>油蓋(COVER)</b>																								
	32016	32501005				1	A	B	C	D	E	F	G	H	I	J	K	L							
17	<b>油封(OIL SEAL)</b>																								
	M0702028	92501018				1	A	B	C	D	E	F	G	H	I	J	K	L							
18	<b>防油墊片(GASKET)</b>																								
	32017	32501007				1	A	B	C	D	E	F	G	H	I	J	K	L							
19	<b>齒輪蓋(GEAR BOX COVER)</b>																								
	32019	32501008A				1	A	B	C	D	E	F													
	32018	31501008				1							G	H	I	J	K	L							
20	<b>鋼索固定片(STEEL FIXING)</b>																								
	34843	92512130A			2006/09	1	A	B	C	D	E	F	G	H	I	J	K	L							

變速箱系統  
A301  
TRANSMISSION SYSTEM

手排撥桿組  
A301-2  
(MT)GEARSHIFT LEVER ASSY





# 變速箱系統 A301 TRANSMISSION SYSTEM

手排撥桿組

A301-2

(MT)GEARSHIFT LEVER ASSY

編號 NO.	零件名稱 PART NAME														機號 BODY NO.	備註 REMARK				
	新碼 NEW PART NO.	舊碼 OLD PART NO.	規格 SPECIFICATION	互換性 I T C	應用日期 APPLIED DATE	數量 Q T Y	FD			FG			FD (C)				FG (C)			
							1	2	3	1	2	3	1	2			3	1	2	3
0	<b>手排變速箱蓋組(MANUAL TRANSMISSION ASSY)</b>																			
	B350002					1	A	B	C	D	E	F	G	H	I	J	K	L		
1	<b>把頭(KNOB, FORWARD &amp; REVERSE SHIFT)</b>																			
	32020	32501136				1	A	B	C	D	E	F	G	H	I	J	K	L		
2	<b>把頭(KNOB, H-L SHIFT)</b>																			
	32021	32501137				1	A	B	C	D	E	F	G	H	I	J	K	L		
3	<b>倒車開關(SWITCH, BACKWARD)</b>																			
	E1612001	92513011				1	A	B	C	D	E	F	G	H	I	J	K	L		停用(NOT USED)
4	<b>前後變速桿(LEVER, FORWARD &amp; REVERSE SHIFT)</b>																			
	32022	32501126				1	A	B	C	D	E	F	G	H	I	J	K	L		
5	<b>變速桿(1, 2檔)(LEVER, SHIFT, H-L)</b>																			
	32023	32501103A				1	A	B	C	D	E	F	G	H	I	J	K	L		
6	<b>六角頭螺栓(BOLT)</b>																			
	M1424-M8*35	92501009				2	A	B	C	D	E	F	G	H	I	J	K	L		
7	<b>彈簧墊圈(SPRING WASHER)</b>																			
	M1605-M8	92501019				8	A	B	C	D	E	F	G	H	I	J	K	L		
8	<b>半圓鍵(KEY, WOODRUFF)</b>																			
	33644	92501132				2	A	B	C	D	E	F	G	H	I	J	K	L		
9	<b>變速桿心軸(短)(LEVER, T/M CONTROL)(SHORTER)</b>																			
	32024	32501129A				1	A	B	C	D	E	F	G	H	I	J	K	L		
10	<b>變速桿心軸(長)(LEVER, T/M CONTROL)(LONGER)</b>																			
	32025	32501108B				1	A	B	C	D	E	F	G	H	I	J	K	L		
11	<b>O形環(O-RING)</b>																			
	M0801-P18	92501107				4	A	B	C	D	E	F	G	H	I	J	K	L		
12	<b>六角頭螺栓(BOLT)</b>																			
	M1424-M8*25	92501104				4	A	B	C	D	E	F	G	H	I	J	K	L		
13	<b>護蓋(COVER)</b>																			
	32026	32501105A				1	A	B	C	D	E	F	G	H	I	J	K	L		
14	<b>防油墊片(GASKET)</b>																			
	32027	92501109				1	A	B	C	D	E	F	G	H	I	J	K	L		
15	<b>六角承窩頭螺栓(BOLT)</b>																			
	M1401-M6*55					1	A	B	C	D	E	F	G	H	I	J	K	L		
16	<b>六角頭螺栓(BOLT)</b>																			
	M1424004	92501102				8	A	B	C	D	E	F	G	H	I	J	K	L		
17	<b>彈簧墊圈(SPRING WASHER)</b>																			
	M1605-M10	92501218				8	A	B	C	D	E	F	G	H	I	J	K	L		
18	<b>油塞(OIL PLUG)</b>																			
	32028	32501113A				1	A	B	C	D	E	F	G	H	I	J	K	L		

# 變速箱系統 A301 TRANSMISSION SYSTEM

手排撥桿組

A301-2

(MT)GEARSHIFT LEVER ASSY

編號 NO.	零件名稱 PART NAME														機號 BODY NO.	備註 REMARK				
	新碼 NEW PART NO.	舊碼 OLD PART NO.	規格 SPECIFICATION	互換性 I T C	應用日期 APPLIED DATE	數量 Q T Y	FD			FG			FD (C)				FG (C)			
							1	2	3	1	2	3	1	2			3	1	2	3
19	<b>鋁墊圈(WASHER)</b>																			
	32029	32501114				1	A	B	C	D	E	F	G	H	I	J	K	L		
20	<b>變速箱蓋(COVER, TRANSMISSION CASE)</b>																			
	32030	32501111B				1	A	B	C	D	E	F	G	H	I	J	K	L		
21	<b>墊片(WASHER)</b>																			
	32031	32501130A				1	A	B	C	D	E	F	G	H	I	J	K	L		
22	<b>六角螺帽(NUT)</b>																			
	M1501-M8	92501115				2	A	B	C	D	E	F	G	H	I	J	K	L		
23	<b>搖桿(LEVER, SHIFT)</b>																			
	32032	32501117A				2	A	B	C	D	E	F	G	H	I	J	K	L		
24	<b>特殊螺栓(BOLT)</b>																			
	32033	32501118				2	A	B	C	D	E	F	G	H	I	J	K	L		
25	<b>彈簧銷(SPRING PIN)</b>																			
	M1305-6*30	92501119				2	A	B	C	D	E	F	G	H	I	J	K	L		
26	<b>撥叉軸(長)(SHAFT)(RAIL, SHIFT)(H-L)</b>																			
	32034	32501133				1	A	B	C	D	E	F	G	H	I	J	K	L		
27	<b>撥叉軸(短)(SHAFT)(RAIL, SHIFT)(F-R)</b>																			
	32035	32501121A				1	A	B	C	D	E	F	G	H	I	J	K	L		
28	<b>變速叉(大)(FORK, SHIFT)(F-R)</b>																			
	32036	32501120A				1	A	B	C	D	E	F	G	H	I	J	K	L		
29	<b>變速叉(小)(FORK, SHIFT)(H-L)</b>																			
	32037	32501127B				1	A	B	C	D	E	F	G	H	I	J	K	L		
30	<b>鋼珠(STEEL BALL)</b>																			
	M1323028	92501122				2	A	B	C	D	E	F	G	H	I	J	K	L		
31	<b>定位彈簧(SPRING)</b>																			
	32038	92501123B				2	A	B	C	D	E	F	G	H	I	J	K	L		
32	<b>沉頭螺絲(SCREW, SET)</b>																			
	32039	92501124A				2	A	B	C	D	E	F	G	H	I	J	K	L		
33	<b>開口銷(PIN, COTTER)</b>																			
	M1307001	92501125				2	A	B	C	D	E	F	G	H	I	J	K	L		
34	<b>變速箱蓋檔桿(BRACKET)</b>																			
	32040	32501140A				1	A	B	C	D	E	F	G	H	I	J	K	L		
35	<b>微動開關(MICRO SWITCH)</b>																			
	E0901019					3	A	B	C	D	E	F	G	H	I	J	K	L		
36	<b>十字有槽螺釘(BOLT)</b>																			
	M1414-M3*25					2	A	B	C	D	E	F	G	H	I	J	K	L		
37	<b>十字有槽螺釘(BOLT)</b>																			
	M1414-M3*15					2	A	B	C	D	E	F	G	H	I	J	K	L		

# 變速箱系統 A301 TRANSMISSION SYSTEM

手排撥桿組

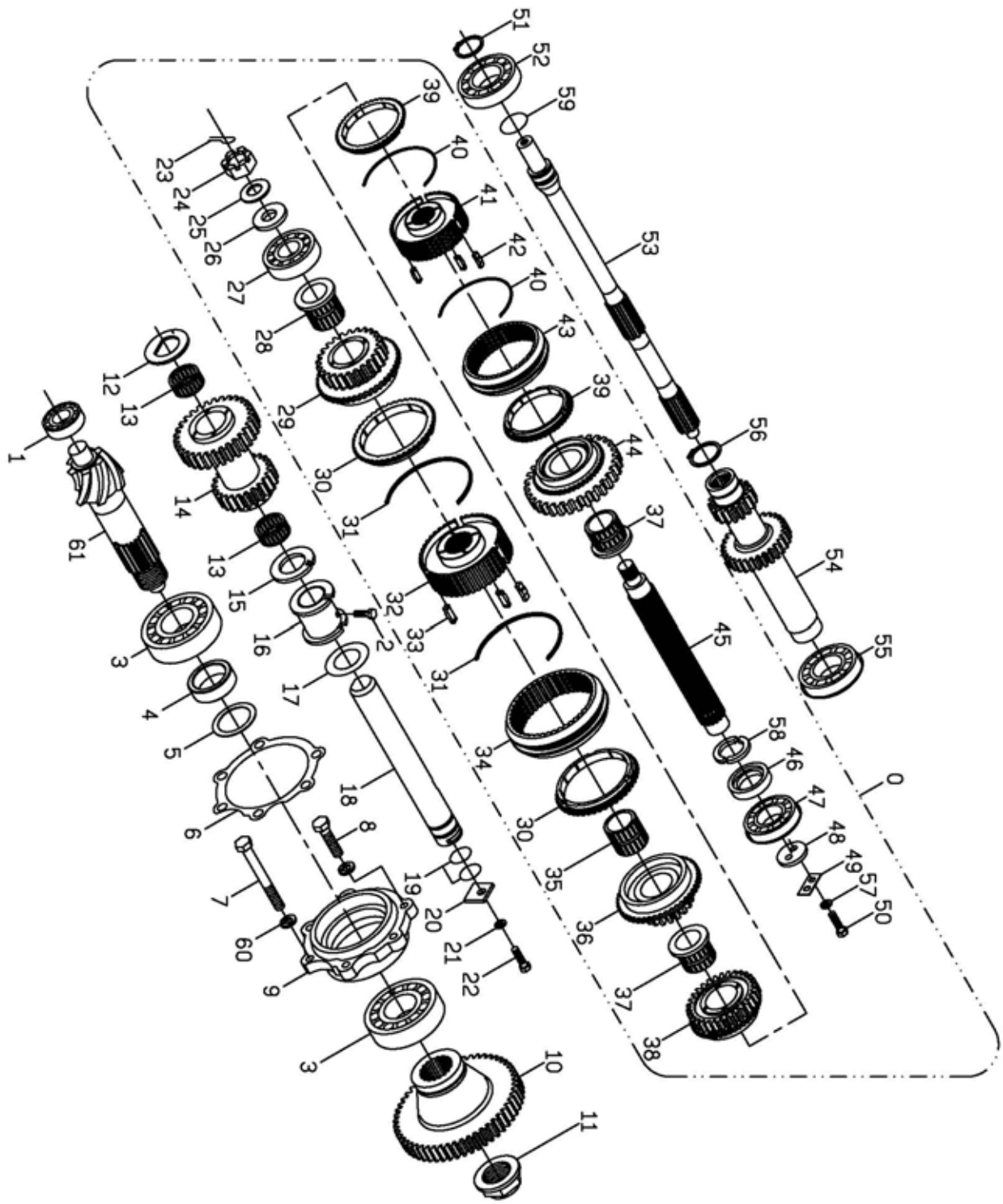
A301-2

(MT)GEARSHIFT LEVER ASSY

編號 NO.	零件名稱 PART NAME																									機號 BODY NO.	備註 REMARK
	新碼 NEW PART NO.	舊碼 OLD PART NO.	規格 SPECIFICATION	互換性 I T C	應用日期 APPLIED DATE	數量 Q T Y	FD				FG				FD (C)				FG (C)								
							1	2	3	3	1	2	3	3	1	2	3	3	1	2	3	3	1	2	3		
38	<b>彈簧墊圈 (SPRING WASHER)</b>																										
	M1606-M3					2	A	B	C	D	E	F	G	H	I	J	K	L									

變速箱系統  
A301  
TRANSMISSION SYSTEM

手排傳動齒輪組  
A301-3  
(MT)TRANSMISSION GEAR SET



# 變速箱系統 A301 TRANSMISSION SYSTEM

手排傳動齒輪組

A301-3

(MT)TRANSMISSION GEAR SET

編號 NO.	零件名稱 PART NAME														機號 BODY NO.	備註 REMARK				
	新碼 NEW PART NO.	舊碼 OLD PART NO.	規格 SPECIFICATION	互換性 I T C	應用日期 APPLIED DATE	數量 Q T Y	FD			FG			FD (C)				FG (C)			
							1	2	3	1	2	3	1	2			3	1	2	3
0	<b>手排變檔齒輪組(MANUAL SHIFT GEAR)</b>																			
	B350003					1	A	B		G	H									
	B350329					1		C	D	E	F	I	J	K	L					
1	<b>圓柱滾子軸承(BEARING)</b>																			
	M0904-NJ304	91501201				1	A	B		G	H									
	M0904-MUB5205UM	92501201				1		C	D	E	F	I	J	K	L					
2	<b>六角頭螺栓(BOLT)</b>																			
	M1424-M8*12					1	A	B	C	D	E	F	G	H	I	J	K	L		
3	<b>圓錐滾子軸承(BEARING)</b>																			
	M0909-30309D	92560207				2	A	B	C	D	E	F	G	H	I	J	K	L		
4	<b>隔圈(SPACER)</b>																			
	32041	31501204				1	A	B		G	H									
	32042	32501204A				1		C	D	E	F	I	J	K	L					
5	<b>填隙片(SHIM)</b>																			
	32043	32501205				N	A	B	C	D	E	F	G	H	I	J	K	L		
	35272				2007/04	N	A	B	C	D	E	F	G	H	I	J	K	L		0.05t
6	<b>軸承座間隙片(SPACER)</b>																			
	32044	32501255				N	A	B	C	D	E	F	G	H	I	J	K	L		
7	<b>六角頭螺栓(BOLT)</b>																			
	M1423003	92501212				4	A	B	C	D	E	F	G	H	I	J	K	L		
8	<b>六角頭螺栓(BOLT)</b>																			
	M1423034	92515021				2	A	B	C	D	E	F	G	H	I	J	K	L		
9	<b>軸承座(BEARING SEAT)</b>																			
		32501206				1		C	D	E	F	I	J	K	L					
	32045	31501206				1	A	B		G	H									
	32046	32501206A			2005/12	1		C	D	E	F	I	J	K	L					
10	<b>齒輪(GEAR)</b>																			
	32047	32501207				1	A	B	C	D	E	F	G	H	I	J	K	L		
11	<b>特殊螺帽(NUT)</b>																			
	32048	32501208				1	A	B	C	D	E	F	G	H	I	J	K	L		
12	<b>銅墊圈(WASHER "Cu")</b>																			
	32049	32501209A				1	A	B	C	D	E	F	G	H	I	J	K	L		
13	<b>滾針軸承(BEARING)</b>																			
	M0905-KT354220	92501210				2	A	B	C	D	E	F	G	H	I	J	K	L		
14	<b>雙層齒輪(GEAR)</b>																			
	32050	32501211				1	A	B	C	D	E	F	G	H	I	J	K	L		
15	<b>銅墊圈(WASHER "Cu")</b>																			
	32051	32501213A				1	A	B	C	D	E	F	G	H	I	J	K	L		

# 變速箱系統 A301 TRANSMISSION SYSTEM

手排傳動齒輪組

A301-3

(MT)TRANSMISSION GEAR SET

編號 NO.	零件名稱 PART NAME														機號 BODY NO.	備註 REMARK								
	新碼 NEW PART NO.	舊碼 OLD PART NO.	規格 SPECIFICATION	互換性 I T C	應用日期 APPLIED DATE	數量 Q T Y	FD				FG						FD (C)				FG (C)			
							1	2	3	3	1	2	3	3			1	2	3	3	1	2	3	3
16	<b>隔圈 (SPACER)</b>																							
	32052	32501214				1	A	B	C	D	E	F	G	H	I	J	K	L						
17	<b>間隙片 (SPACER)</b>																							
	32053	92501254				N	A	B	C	D	E	F	G	H	I	J	K	L						
18	<b>心軸 (SPINDLE)</b>																							
	32054	32501215C				1	A	B	C	D	E	F	G	H	I	J	K	L						
19	<b>O形環 (O-RING)</b>																							
	M0801-P28	92501216				2	A	B	C	D	E	F	G	H	I	J	K	L						
20	<b>止動板 (PLATE)</b>																							
	32055	32501217				1	A	B	C	D	E	F	G	H	I	J	K	L						
21	<b>彈簧墊圈 (SPRING WASHER)</b>																							
	M1605-M10	92501218				1	A	B	C	D	E	F	G	H	I	J	K	L						
22	<b>六角頭螺栓 (BOLT)</b>																							
	M1424002	92501219				1	A	B	C	D	E	F	G	H	I	J	K	L						
23	<b>開口銷 (PIN, COTTER)</b>																							
	M1307002	92501220				1	A	B	C	D	E	F	G	H	I	J	K	L						
24	<b>堡型螺帽 (NUT)</b>																							
	32056	32501221				1	A	B	C	D	E	F	G	H	I	J	K	L						
25	<b>盤型墊圈 (WASHER)</b>																							
	32057	92501256				1	A	B	C	D	E	F	G	H	I	J	K	L						
26	<b>墊圈 (WASHER)</b>																							
	32058	32501222				1	A	B	C	D	E	F	G	H	I	J	K	L						
27	<b>深槽滾珠軸承 (BEARING)</b>																							
	M0901-6306	92501223			2000/10	1	A	B	C	D	E	F	G	H	I	J	K	L				停用 (NOT USED)		
		925020309			2003/02	1	A	B	C	D	E	F	G	H	I	J	K	L						
28	<b>齒輪套筒 (長) (SLEEVE)</b>																							
	32059	32501225				1	A	B	C	D	E	F	G	H	I	J	K	L						
29	<b>齒輪 (GEAR)</b>																							
	32060	32501226B				1	A	B	C	D	E	F	G	H	I	J	K	L						
30	<b>調速銅錐環 (RING)</b>																							
	32061	32501227A				2	A	B	C	D	E	F	G	H	I	J	K	L						
31	<b>特殊扣環 (SNAP RING)</b>																							
	32062	32501228				2	A	B	C	D	E	F	G	H	I	J	K	L						
32	<b>離合齒 (GEAR)</b>																							
	32063	32501229				1	A	B	C	D	E	F	G	H	I	J	K	L						
33	<b>調速鍵 (KEY, SYNCHRONIZER)</b>																							
	32064	32501231				3	A	B	C	D	E	F	G	H	I	J	K	L						

# 變速箱系統 A301 TRANSMISSION SYSTEM

手排傳動齒輪組

A301-3

(MT)TRANSMISSION GEAR SET

編號 NO.	零件名稱 PART NAME														機號 BODY NO.	備註 REMARK				
	新碼 NEW PART NO.	舊碼 OLD PART NO.	規格 SPECIFICATION	互換性 I T C	應用日期 APPLIED DATE	數量 Q T Y	FD			FG			FD (C)				FG (C)			
							1	2	3	1	2	3	1	2			3	1	2	3
34	<b>離合齒套(SLEEVE, TRANSMISSION CLUTCH)</b>																			
	32065	32501230				1	A	B	C	D	E	F	G	H	I	J	K	L		
35	<b>齒輪套筒(無緣)(SLEEVE)</b>																			
	32066	32501233				1	A	B	C	D	E	F	G	H	I	J	K	L		
36	<b>齒輪(GEAR)</b>																			
	32067	32501232A				1	A	B	C	D	E	F	G	H	I	J	K	L		
37	<b>齒輪套筒(短)(SLEEVE)</b>																			
	32068	32501234				2	A	B	C	D	E	F	G	H	I	J	K	L		
38	<b>齒輪(GEAR)</b>																			
	32069	31501235A				1	A	B					G	H						
	32070	32501235B				1		C	D	E	F			I	J	K	L			
39	<b>調速銅錐環(RING)</b>																			
	32071	32501236A				2	A	B	C	D	E	F	G	H	I	J	K	L		
40	<b>特殊扣環(SNAP RING)</b>																			
	32072	32501237				2	A	B	C	D	E	F	G	H	I	J	K	L		
41	<b>離合齒(GEAR)</b>																			
	32073	32501238				1	A	B	C	D	E	F	G	H	I	J	K	L		
42	<b>調速鍵(KEY, SYNCHRONIZER)</b>																			
	32074	32501252				3	A	B	C	D	E	F	G	H	I	J	K	L		
43	<b>離合齒套(SLEEVE, TRANSMISSION CLUTCH)</b>																			
	32075	32501239A				1	A	B	C	D	E	F	G	H	I	J	K	L		
44	<b>齒輪(GEAR)</b>																			
	32076	31501240A				1	A	B					G	H						
	32077	32501240A				1		C	D	E	F			I	J	K	L			
45	<b>傳動心軸(SPINDLE, MAIN)</b>																			
	32078	32501224				1	A	B	C	D	E	F	G	H	I	J	K	L		
46	<b>隔圈(SPACER)</b>																			
	32079	32501241				1	A	B	C	D	E	F	G	H	I	J	K	L		
47	<b>深槽滾珠軸承(BEARING)</b>																			
	M0901-6306NR	92501242				1	A	B	C	D	E	F	G	H	I	J	K	L		
48	<b>止推墊(THRUST WASHER)</b>																			
	32080	32501243				1	A	B	C	D	E	F	G	H	I	J	K	L		
49	<b>止推板(THRUST PLATE)</b>																			
		32501244				1	A	B	C	D	E	F	G	H	I	J	K	L		停用(NOT USED)
50	<b>六角頭螺栓(BOLT)</b>																			
	M1424-M8*20	92504208				2	A	B	C	D	E	F	G	H	I	J	K	L		

# 變速箱系統 A301 TRANSMISSION SYSTEM

手排傳動齒輪組

A301-3

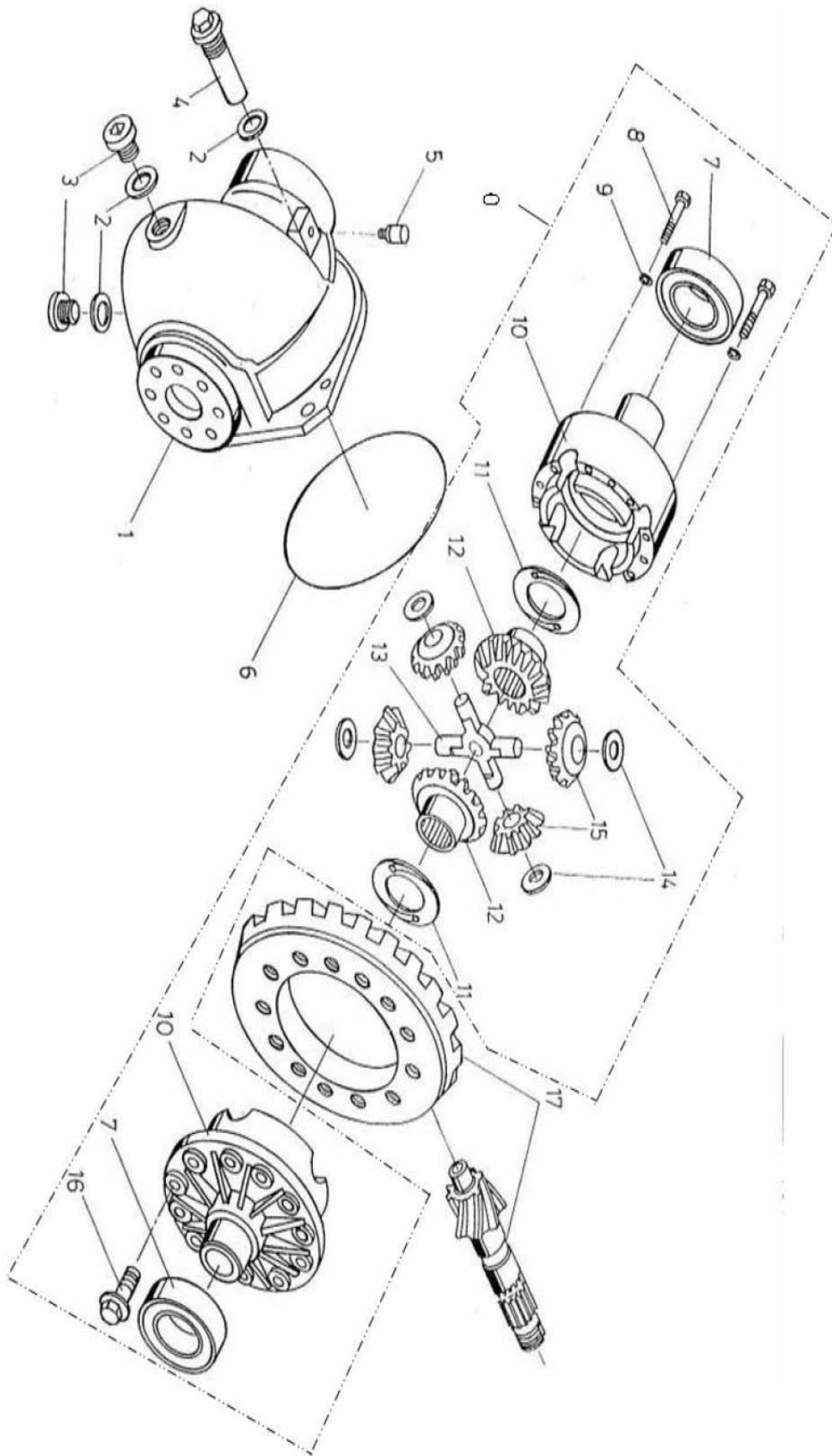
(MT)TRANSMISSION GEAR SET

編號 NO.	零件名稱 PART NAME														機號 BODY NO.	備註 REMARK								
	新碼 NEW PART NO.	舊碼 OLD PART NO.	規格 SPECIFICATION	互換性 I T C	應用日期 APPLIED DATE	數量 Q T Y	FD				FG						FD (C)				FG (C)			
							1	2	2	3	3	1	1	2			2	3	3	1	1	2	2	3
51	<b>扣環(SNAP RING)</b>																							
	M1312-S30	92501246				1	A	B	C	D	E	F	G	H	I	J	K	L						
52	<b>深槽滾珠軸承(BEARING)</b>																							
	M0901-6208					1	A	B	C	D	E	F	G	H	I	J	K	L						
53	<b>輸入軸(INPUT SHAFT)</b>																							
	32081	32501248B				1	A	B	C	D	G	H	I	J										
	32082	33001248				1				E	F			K	L									
54	<b>變速軸(GEAR, INPUT)</b>																							
	31975	31501249B				1	A	B					G	H										
	32083	32501249B				1		C	D	E	F			I	J	K	L							
55	<b>深槽滾珠軸承(BEARING)</b>																							
		92501250			2000/10	1	A	B	C	D	E	F	G	H	I	J	K	L						停用(NOT USED)
	M0901-6208NR	92501247			2003/02	1	A	B	C	D	E	F	G	H	I	J	K	L						
56	<b>扣環(SNAP RING)</b>																							
	M1312-S40	92501251				1	A	B	C	D	E	F	G	H	I	J	K	L						停用(NOT USED)
57	<b>彈簧墊圈(SPRING WASHER)</b>																							
	M1605-M8	92501019				2	A	B	C	D	E	F	G	H	I	J	K	L						
58	<b>傳動心軸扣環(SNAP RING)</b>																							
	32084	32501258				1	A	B	C	D	E	F	G	H	I	J	K	L						
59	<b>特殊扣環(SNAP RING)</b>																							
	32085	32501260				1	A	B	C	D	E	F	G	H	I	J	K	L						
60	<b>彈簧墊圈(SPRING WASHER)</b>																							
	M1605-M12	92501024				6	A	B	C	D	E	F	G	H	I	J	K	L						
61	<b>主動弧齒錐齒輪(GEAR)</b>																							
	31962	71501202			2000/10	1	A	B					G	H										
	31963	72501202			2000/10	1		C	D					I	J									
	31964	73001202			2000/10	1				E	F				K	L								



變速箱系統  
A301  
TRANSMISSION SYSTEM

手排差速器組  
A301-4  
(MT)DIFFERENTIAL ASSY



A301-4-1

# 變速箱系統 A301 TRANSMISSION SYSTEM

手排差速器組  
A301-4

(MT)DIFFERENTIAL ASSY

編號 NO.	零件名稱 PART NAME														機號 BODY NO.	備註 REMARK				
	新碼 NEW PART NO.	舊碼 OLD PART NO.	規格 SPECIFICATION	互換性 I T C	應用日期 APPLIED DATE	數量 Q T Y	FD			FG			FD (C)				FG (C)			
							1	2	3	1	2	3	1	2			3	1	2	3
0	<b>差速器總成(DIFFERENTIAL ASSY)</b>																			
	B350004	21502020				1	A	B		G	H									
	B350005	22502020				1		C	D		I	J								
	B350006	23002020				1			E	F			K	L						
01	<b>差速器殼組(DIFFERENTIAL CASE ASSY)</b>																			
	B350634					1	A	B		G	H									
	B350635					1		C	D		I	J								
	B350636					1			E	F			K	L						
1	<b>差速箱(HOUSING, DIFFERENTIAL)</b>																			
	32086	31502001				1	A	B		G	H							停用(NOT USED)		
	32124	31560101B			2005/09	1	A	B		G	H									
	32087	32502001				1		C	D		I	J								
	32088	33002001B				1			E	F			K	L						
2	<b>油塞墊圈(WASHER, OIL PLUG)</b>																			
	32029	32501114				3	A	B	C	D	E	F	G	H	I	J	K	L		
3	<b>螺栓油塞(SCREW PLUG)</b>																			
	32089	32502003				2	A	B	C	D	E	F	G	H	I	J	K	L		
4	<b>特殊螺栓(BOLT)</b>																			
	32090	31502005A				1	A	B		G	H									
	32091	32502005A				1		C	D	E	F		I	J	K	L				
5	<b>透氣栓(BREATHER BOLT)</b>																			
	32092	92502010A				1	A	B	C	D	E	F	G	H	I	J	K	L		
6	<b>O形環(O-RING)</b>																			
	M0801-AS275	91502004				1	A	B		G	H									
	M0801-AS277	92502004				1		C	D		I	J								
	M0801-AS279	93002004				1			E	F			K	L						
7	<b>圓錐滾子軸承(BEARING)</b>																			
	M0909-33013	92502006				2	A	B	C	D		G	H	I	J					
	M0909001	93002006				2			E	F			K	L						
8	<b>六角頭螺栓(BOLT)</b>																			
	M1424001	92502007				12	A	B	C	D		G	H	I	J					
	M1423002	93002007				12			E	F			K	L						
9	<b>彈簧墊圈(Spring Washer)</b>																			
	M1605-M10	92501218				12	A	B	C	D		G	H	I	J					
	M1605-M12	92501024				12			E	F			K	L						

# 變速箱系統 A301 TRANSMISSION SYSTEM

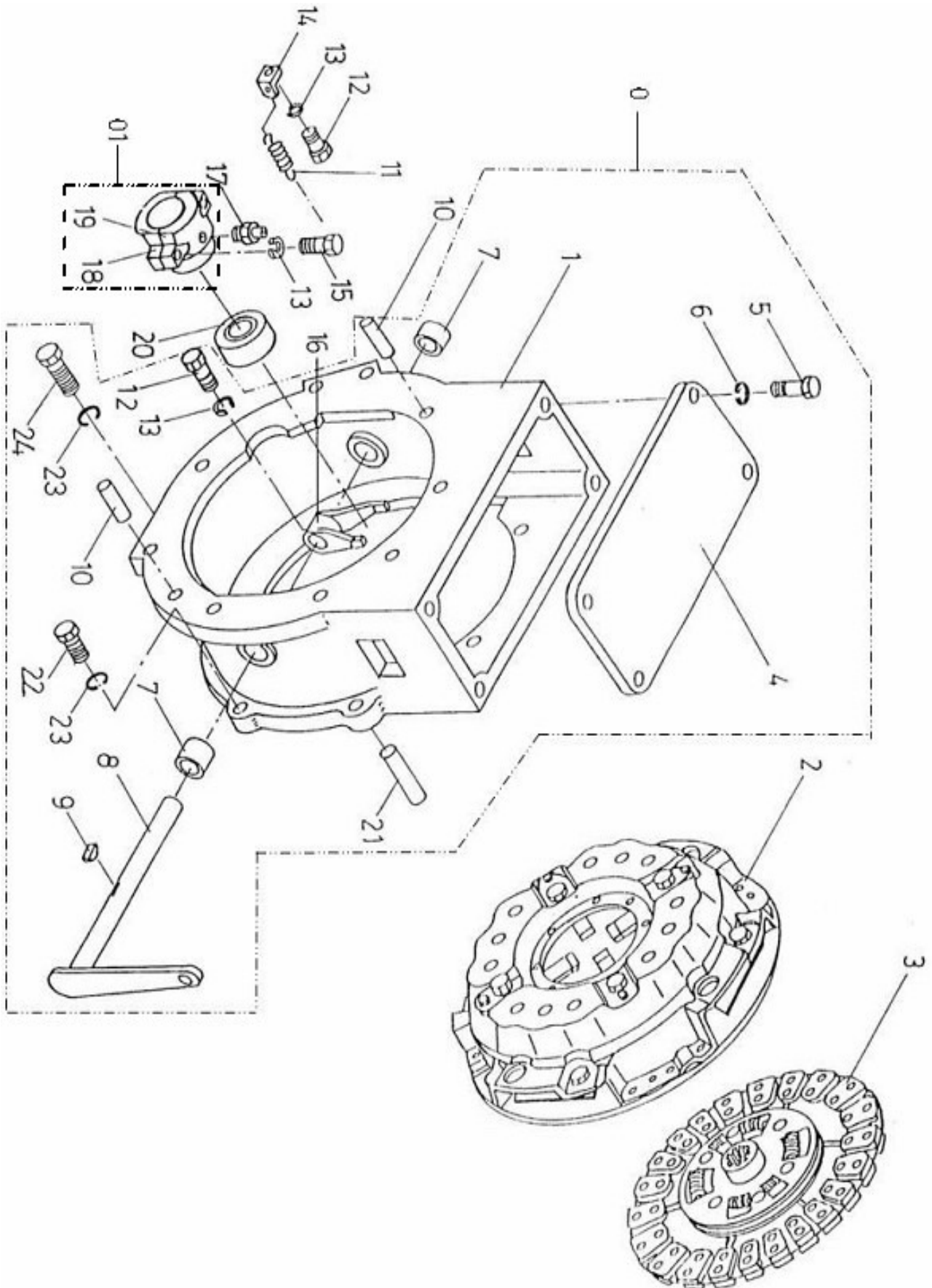
手排差速器組  
A301-4

(MT)DIFFERENTIAL ASSY

編號 NO.	零件名稱 PART NAME														機號 BODY NO.	備註 REMARK																
	新碼 NEW PART NO.	舊碼 OLD PART NO.	規格 SPECIFICATION	互換性 I T C	應用日期 APPLIED DATE	數量 Q T Y	FD			FG			FD (C)				FG (C)															
							1	2	3	1	2	3	1	2			3	1	2	3												
5	8	0	5	0	5	5	8	0	5	0	5	5	8	0	5	0	5	5	8	0	5	0	5									
							A	B	C	D	E	F	G	H	I	J	K	L	M	N	O	P	Q	R	S	T	U	V	W	X		
10	<b>差速器殼(小)(DIFFERENTIAL CASE)</b>																															
	32093	31502012				1	A	B				G	H																	停用(NOT USED)		
	32094	32502012				1		C	D				I	J															停用(NOT USED)			
	32095	33002012B				1			E	F				K	L														停用(NOT USED)			
	32093A				2007/08	1	A	B				G	H																			
	32094A				2007/08	1		C	D				I	J																		
	32095A				2007/08	1			E	F				K	L																	
11	<b>銅墊片(WASHER "Cu")</b>																															
	32096	32502009				2	A	B	C	D		G	H	I	J																	
	32097	33002009				2			E	F				K	L																	
12	<b>傘型齒輪(大)(GEAR)</b>																															
	32098	32502017				2	A	B	C	D		G	H	I	J																	
	32099	33002017A				2			E	F				K	L																	
13	<b>十字軸(SPIDER)</b>																															
	32100	32502016A				1	A	B	C	D		G	H	I	J																	
	32101	33002016A				1			E	F				K	L																	
14	<b>止推墊(THRUST WASHER)</b>																															
	32102	32502014				4	A	B	C	D		G	H	I	J																	
	32103	33002014				4			E	F				K	L																	
15	<b>傘型齒輪(小)(PINION)</b>																															
	32104	32502015				4	A	B	C	D		G	H	I	J																	
	32105	33002015A				4			E	F				K	L																	
16	<b>帶帽螺栓(BOLT)</b>																															
	32108	93002008				12			E	F				K	L														停用(NOT USED)			
	32106	91502008				12	A	B				G	H																			
	32107	92502008				12		C	D				I	J																		
	32108A				2007/05	12			E	F				K	L																	
17	<b>鞍齒輪組(HYPOID GEAR SET)</b>																															
	B350007	71502013				1	A	B				G	H																			
	B350008	72502013				1		C	D				I	J																		
	B350009	73002013				1			E	F				K	L																	
18	<b>差速器殼(大)(DIFFERENTIAL CASE)</b>																															
	31976	31502018				1	A	B				G	H																停用(NOT USED)			
	31977	32502018				1		C	D				I	J															停用(NOT USED)			
	31978	33002018B				1			E	F				K	L														停用(NOT USED)			
	31976A				2007/08	1	A	B				G	H																			
	31977A				2007/08	1		C	D				I	J																		
	31978B				2007/08	1			E	F				K	L																	

變速箱系統  
A301  
TRANSMISSION SYSTEM

手排離合器箱組  
A301-5  
(MT)CLUTCH HOUSING



A301-5-1

# 變速箱系統 A301 TRANSMISSION SYSTEM

手排離合器箱組

A301-5

(MT)CLUTCH HOUSING

編號 NO.	零件名稱 PART NAME														機號 BODY NO.	備註 REMARK						
	新碼 NEW PART NO.	舊碼 OLD PART NO.	規格 SPECIFICATION	互換性 I T C	應用日期 APPLIED DATE	數量 Q T Y	FD			FG			FD (C)				FG (C)					
							1	2	3	1	2	3	1	2			3	1	2	3		
0	<b>離合器箱組立 (CLUTCH HOUSING)</b>																					
	B350011	32503032	H20, H25			1				G	H	I	J	K	L						修改(MODIFY)	
	B350010	32503031	C240, 4JG2			1	A	B	C	D	E	F										
	B350011	32503032	K21		2008/08	1				G	H	I	J							TA01926		
	B350011	32503032	K25		2007/10	1				I	J	K	L							TA01192		
01	<b>釋放軸承座組 (BEARING SEAT)</b>																					
	B350558		H20, H25			1				G	H	I	J	K	L						修改(MODIFY)	
	B350557		C240, 4JG2			1	A	B	C	D	E	F										
	B350558		K21		2008/08	1				G	H	I	J							TA01926		
	B350558		K25		2007/10	1				I	J	K	L							TA01192		
1	<b>離合器箱 (CLUTCH HOUSING)</b>																					
	32110	32503023	H20, H25			1				G	H	I	J	K	L						修改(MODIFY)	
	32109	32503022	C240, 4JG2			1	A	B	C	D	E	F										
	32110	32503023	K21, K25			1				G	H	I	J	K	L							
2	<b>壓板組 (CLUTCH COVER)</b>																					
	32111	72503200				1	A	B	C	D	E	F	G	H	I	J	K	L				
3	<b>離合器片 (CLUTCH, DISK)</b>																					
	32112	72503100				1	A	B	C	D	G	H	I	J	K	L						停用(NOT USED)
	32113	72503300				1	A	B	C	D	E	F	G	H	I	J	K	L				
4	<b>離合箱蓋 (COVER)</b>																					
	32115	32503025	H20, H25			1				G	H	I	J	K	L						修改(MODIFY)	
	32114	32503002	C240, 4JG2			1	A	B	C	D	E	F										
	32115	32503025	K21, K25			1				G	H	I	J	K	L							
5	<b>六角頭螺栓 (BOLT)</b>																					
	M1424002	92501219				4	A	B	C	D	E	F	G	H	I	J	K	L				
6	<b>彈簧墊圈 (SPRING WASHER)</b>																					
	M1605-M10	92501218				4	A	B	C	D	E	F	G	H	I	J	K	L				
7	<b>滾針軸承 (BEARING)</b>																					
	M0905-TA2230Z	92503005				2	A	B	C	D	E	F	G	H	I	J	K	L				
8	<b>離合桿組立 (SHAFT, CLUTCH)</b>																					
	32116	22503006				1	A	B	C	D	E	F	G	H	I	J	K	L				
9	<b>半圓鍵 (KEY, WOODRUFF)</b>																					
	32733	92503007				1	A	B	C	D	E	F	G	H	I	J	K	L				
10	<b>平行銷 (PIN)</b>																					
	M1301-12*30	92503008				2	A	B	C	D	E	F	G	H	I	J	K	L				停用(NOT USED)
	M1301-12*28					2	A	B	C	D	E	F	G	H	I	J	K	L				
11	<b>拉伸彈簧 (SPRING)</b>																					
	32117	92503009A				1	A	B	C	D	E	F	G	H	I	J	K	L				

# 變速箱系統 A301 TRANSMISSION SYSTEM

手排離合器箱組

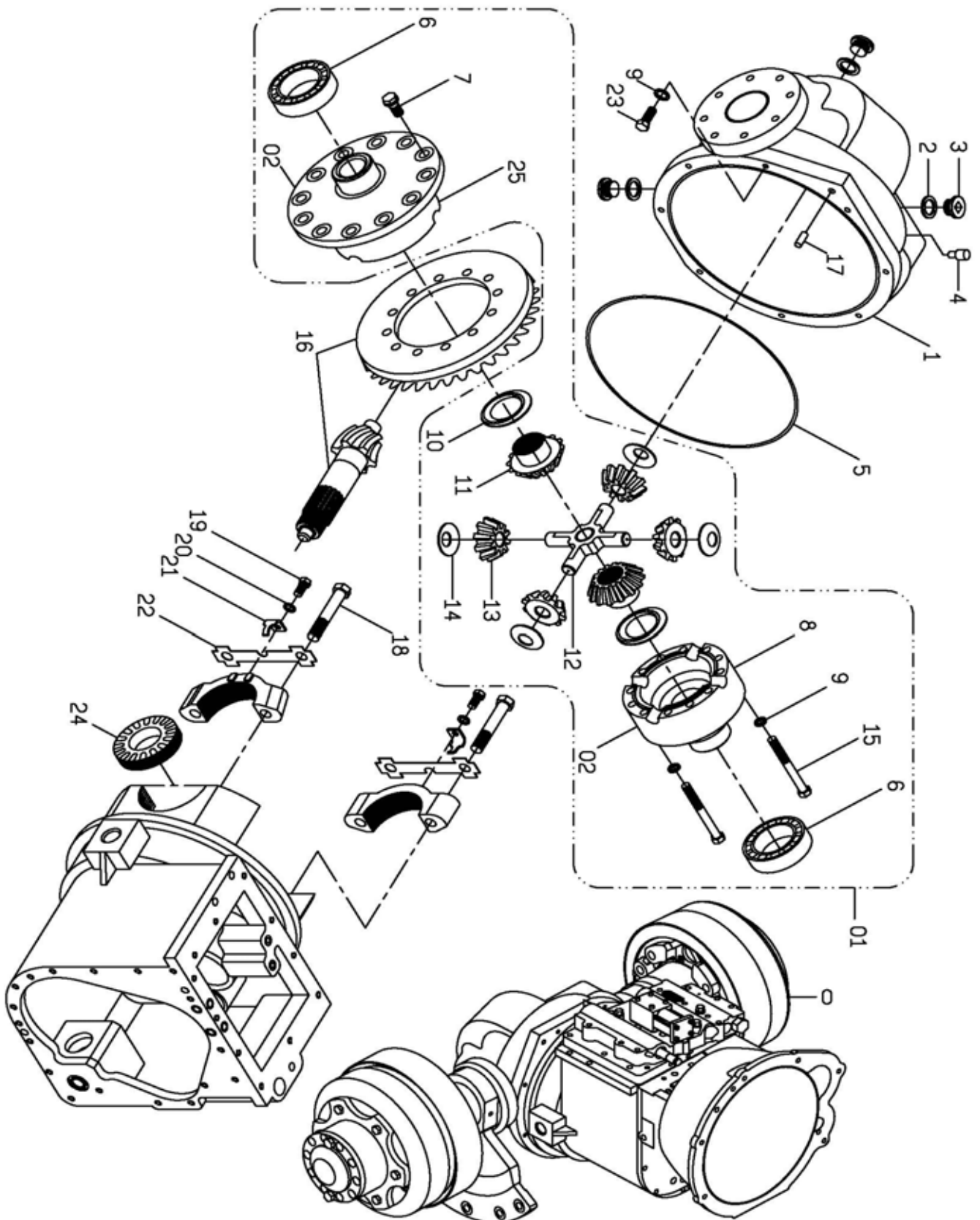
A301-5

(MT)CLUTCH HOUSING

編號 NO.	零件名稱 PART NAME														機號 BODY NO.	備註 REMARK															
	新碼 NEW PART NO.	舊碼 OLD PART NO.	規格 SPECIFICATION	互換性 I T C	應用日期 APPLIED DATE	數量 Q T Y	FD				FG						FD (C)				FG (C)										
							1	2	3	3	1	2	3	3			1	2	3	3	1	2	3	3							
5	8	0	5	0	5	5	8	0	5	0	5	5	8	0	5	0	5	5	8	0	5	0	5								
								A	B	C	D	E	F	G	H	I	J	K	L	M	N	O	P	Q	R	S	T	U	V	W	X
12	<b>六角頭螺栓(BOLT)</b>																														
	M1424-M8*30	92503010				10	A	B	C	D	E	F	G	H	I	J	K	L													
13	<b>彈簧墊圈(SPRING WASHER)</b>																														
	M1605-M8	92501019				13	A	B	C	D	E	F	G	H	I	J	K	L													
14	<b>彈簧固定板(SPRING HOLDER)</b>																														
	32118	32503012A				1	A	B	C	D	E	F	G	H	I	J	K	L													
15	<b>六角頭螺栓(BOLT)</b>																														
	M1424-M8*35	92501009				3	A	B	C	D	E	F	G	H	I	J	K	L													
16	<b>釋放叉(RELEASE FORK)</b>																														
	32119	32503014				1	A	B	C	D	E	F	G	H	I	J	K	L													
17	<b>黃油嘴(GREASE NIPPLE)</b>																														
	M1321-M10	92503015				1	A	B	C	D	E	F	G	H	I	J	K	L													
18	<b>釋放軸承座(BEARING SEAT)</b>																														
	32121	32503026	H20, H25			1							G	H	I	J	K	L													
	32120	32503016	C240, 4JG2			1	A	B	C	D	E	F																			
	32121	32503026	K21, K25			1							G	H	I	J	K	L													
19	<b>釋放軸承座(BEARING SEAT)</b>																														
	32123	32503027	H20, H25			1							G	H	I	J	K	L													
	32122	32503017	C240, 4JG2			1	A	B	C	D	E	F																			
	32123	32503027	K21, K25			1							G	H	I	J	K	L													
20	<b>釋放軸承(BEARING)</b>																														
	M0921001	92503018				1	A	B	C	D	E	F	G	H	I	J	K	L													
21	<b>平行銷(PIN)</b>																														
	M1301-10*30	92503019				2	A	B	C	D	E	F	G	H	I	J	K	L													
	M1301-10*28					2	A	B	C	D	E	F	G	H	I	J	K	L													
22	<b>六角承窩頭螺栓(BOLT)</b>																														
	M1401006	92503020				6	A	B	C	D	E	F	G	H	I	J	K	L													
23	<b>彈簧墊圈(SPRING WASHER)</b>																														
	M1605-M12	92501024				8	A	B	C	D	E	F	G	H	I	J	K	L													
24	<b>六角頭螺栓(BOLT)</b>																														
	M1424013	92501020				2	A	B	C	D	E	F	G	H	I	J	K	L													

變速箱系統  
A301  
TRANSMISSION SYSTEM

自排差速器組  
A301-6  
(AT)DIFFERENTIAL ASSY



A301-6-1

# 變速箱系統 A301 TRANSMISSION SYSTEM

自排差速器組  
A301-6

(AT)DIFFERENTIAL ASSY

編號 NO.	零件名稱 PART NAME										FD			FG			FD (C)			FG (C)			機號 BODY NO.	備註 REMARK												
	新碼	舊碼	規格	互換性 I T C	應用日期 APPLIED DATE	數量 Q T Y	1	2	3	3	1	2	3	3	1	2	3	3	1	2	3	3														
	NEW PART NO.	OLD PART NO.	SPECIFICATION				A	B	C	D	E	F	G	H	I	J	K	L	M	N	O	P			Q	R	S	T	U	V	W	X				
0	自排變速箱總成((AT)TRANSMISSION GEAR BOX ASSY)																																			
	B350770					1	A	B				G	H																							
	B350771					1		C	D				I	J																						
	B350772					1			E					K																						
	B350773					1				F					L																					
	B350780					1																	S	T												
	B350781					1																		U	V	W										
	B350782					1																					X									
01	差速器總成(DIFFERENTIAL ASSY)																																			
	B350012	21560110				1	A	B				G	H									S	T										停用(NOT USED)			
	B350498					1			E	F				K	L										W	X							停用(NOT USED)			
	B350004	21502020				1	A	B				G	H									S	T													
	B350013	22560110				1		C	D					I	J																					
	B350006	23002020				1			E	F				K	L										U	V	W	X								
02	差速器殼組(DIFFERENTIAL CASE ASSY)																																			
	B350634					1	A	B				G	H									S	T													
	B350640					1		C	D				I	J																						
	B350636					1			E	F				K	L										U	V	W	X								
1	差速器箱(HOUSING, DIFFERENTIAL)																																			
		32560101			2000/10	1		C	D	E	F			I	J	K	L																			
	32124	31560101B				1	A	B				G	H									S	T													
	32125	32560101C			2003/02	1		C	D	E	F			I	J	K	L								U	V	W	X								
2	油塞墊圈(WASHER, OIL PLUG)																																			
	32029	32501114				3	A	B	C	D	E	F	G	H	I	J	K	L					S	T	U	V	W	X								
3	螺栓油塞(SCREW PLUG)																																			
	32089	32502003				3	A	B	C	D	E	F	G	H	I	J	K	L					S	T	U	V	W	X								
4	透氣栓(BREATHER BOLT)																																			
	32092	92502010A				1	A	B	C	D	E	F	G	H	I	J	K	L					S	T	U	V	W	X								
5	O形環(O-RING)																																			
	M0801-AS277	92502004				1	A	B				G	H									S	T													
	M0801-AS279	93002004				1		C	D	E	F			I	J	K	L							U	V	W	X									
6	圓錐滾子軸承(BEARING)																																			
	M0909-33013	92502006				2	A	B				G	H									S	T													
	M0909001	93002006				2		C	D	E	F			I	J	K	L							U	V	W	X									
7	帶帽螺栓(BOLT)																																			
	32108	93002008				12		C	D	E	F			I	J	K	L							U	V	W	X									停用(NOT USED)
	32106	91502008				12	A	B				G	H									S	T													
	35273				2007/04	12		C	D	E	F			I	J	K	L							U	V	W	X									



# 變速箱系統 A301 TRANSMISSION SYSTEM

自排差速器組  
A301-6

(AT)DIFFERENTIAL ASSY

編號 NO.	零件名稱 PART NAME														機號 BODY NO.	備註 REMARK									
	新碼 NEW PART NO.	舊碼 OLD PART NO.	規格 SPECIFICATION	互換性 I T C	應用日期 APPLIED DATE	數量 Q T Y	FD			FG			FD (C)				FG (C)								
							1	2	3	1	2	3	1	2			3	1	2	3					
8	<b>差速器殼(小)(DIFFERENTIAL CASE)</b>																								
	32126	31502104				1	A	B		G	H				S	T		停用(NOT USED)							
	32093	31502012				1	A	B		G	H				S	T		停用(NOT USED)							
	31990	32560102B				1		C	D		I	J				U	V	停用(NOT USED)							
	32095	33002012B				1			E	F			K	L			W	X	停用(NOT USED)						
	32128	33060103				1			E	F			K	L			W	X	停用(NOT USED)						
	32093A				2007/08	1	A	B		G	H				S	T									
	31990A				2007/08	1		C	D		I	J													
	32095A				2007/08	1			E	F			K	L			U	V	W	X					
9	<b>彈簧墊圈(Spring Washer)</b>																								
	M1605-M10	92501218				20	A	B		G	H				S	T									
	M1605-M12	92501024				20		C	D	E	F		I	J	K	L		U	V	W	X				
10	<b>銅墊片(WASHER "Cu")</b>																								
	32096	32502009				2	A	B	C	D	G	H	I	J			S	T							
	32097	33002009				2			E	F			K	L				U	V	W	X				
11	<b>傘型齒輪(大)(GEAR)</b>																								
	32098	32502017				2	A	B	C	D	G	H	I	J			S	T							
	32099	33002017A				2			E	F			K	L				U	V	W	X				
12	<b>十字軸(SPIDER)</b>																								
	32100	32502016A				1	A	B	C	D	G	H	I	J			S	T							
	32101	33002016A				1			E	F			K	L				U	V	W	X				
13	<b>傘型齒輪(小)(PINION)</b>																								
	32104	32502015				4	A	B	C	D	G	H	I	J			S	T							
	32105	33002015A				4			E	F			K	L				U	V	W	X				
14	<b>止推墊(THRUST WASHER)</b>																								
	32102	32502014				4	A	B	C	D	G	H	I	J			S	T							
	32103	33002014				4			E	F			K	L				U	V	W	X				
15	<b>六角頭螺栓(BOLT)</b>																								
	M1424001	92502007				12	A	B		G	H				S	T									
	M1423002	93002007				12		C	D	E	F		I	J	K	L		U	V	W	X				
16	<b>盆型齒輪組(HYPOID GEAR SET)</b>																								
		71560206			2000/10	1	A	B		G	H								停用(NOT USED)						
		72560206			2000/10	1		C	D	E	F		I	J	K	L			停用(NOT USED)						
	B350014	71560205			2003/02	1	A	B		G	H				S	T									
	B350015	72560205			2003/02	1		C	D	E		I	J	K				U	V	W					
	B350016	73560205			2003/02	1			F			L							X						
17	<b>平行銷(PIN)</b>																								
	M1301-10*45	92501025				1	A	B	C	D	E	F	G	H	I	J	K	L		S	T	U	V	W	X

# 變速箱系統 A301 TRANSMISSION SYSTEM

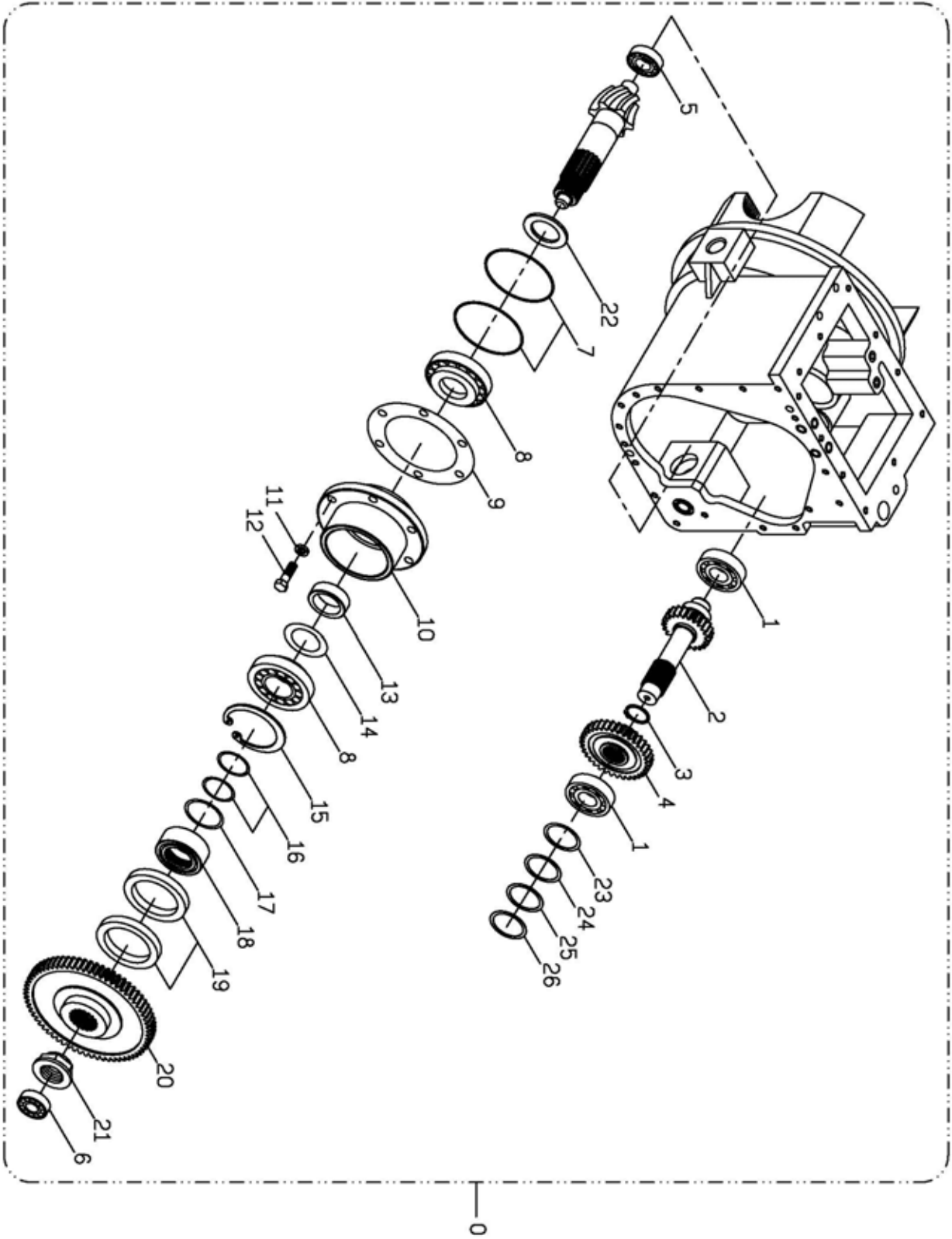
自排差速器組  
A301-6

(AT)DIFFERENTIAL ASSY

編號 NO.	零件名稱 PART NAME														機號 BODY NO.	備註 REMARK												
	新碼 NEW PART NO.	舊碼 OLD PART NO.	規格 SPECIFICATION	互換性 I T C	應用日期 APPLIED DATE	數量 Q T Y	FD			FG			FD (C)				FG (C)											
							1	2	3	1	2	3	1	2			3	1	2	3								
18	<b>帶梢螺栓(BOLT)</b>																											
	32008	92501010A				4	A	B	C	D	E	F	G	H	I	J	K	L			S	T	U	V	W	X		
19	<b>六角頭螺栓(BOLT)</b>																											
	M1424-M8*16	92501014				2	A	B	C	D	E	F	G	H	I	J	K	L			S	T	U	V	W	X		
20	<b>彈簧墊圈(Spring Washer)</b>																											
	M1605-M8	92501019				2	A	B	C	D	E	F	G	H	I	J	K	L			S	T	U	V	W	X		
21	<b>固定壓板(PAWL)</b>																											
	32009	32501013				2	A	B		F	G	H		L					S	T		X						
	32010	33001013				2		C	D	E		I	J	K						U	V	W						
22	<b>防鬆片(PLATE, LOCK)</b>																											
	32006	32501011				2	A	B			G	H							S	T								
	32007	33001011				2		C	D	E	F		I	J	K	L				U	V	W	X					
23	<b>六角頭螺栓(BOLT)</b>																											
		92560106			2000/10	8	A	B	C	D	E	F	G	H	I	J	K	L										停用(NOT USED)
	M1424013	92501020			2003/02	8	A	B	C	D	E	F	G	H	I	J	K	L			S	T	U	V	W	X		
24	<b>調整螺帽(NUT, ADJUSTING)</b>																											
	32004	32501012A				2	A	B			G	H							S	T								
	32005	33001012A				2		C	D	E	F		I	J	K	L				U	V	W	X					
25	<b>差速器殼(大)(DIFFERENTIAL CASE)</b>																											
	31976	31502018				1	A	B			G	H							S	T							停用(NOT USED)	
	32127	32560103B				1		C	D			I	J						U	V							停用(NOT USED)	
	31978	33002018B				1			E	F			K	L							W	X					停用(NOT USED)	
	31976A				2007/08	1	A	B			G	H							S	T								
	32127B				2007/08	1		C	D			I	J															
	31978B				2007/08	1			E	F			K	L						U	V	W	X					

變速箱系統  
A301  
TRANSMISSION SYSTEM

自排變速齒輪箱組  
A301-7  
(AT)TRANSMISSION GEAR BOX



# 變速箱系統 A301 TRANSMISSION SYSTEM

自排變速齒輪箱組

A301-7

(AT)TRANSMISSION GEAR BOX

編號 NO.	零件名稱 PART NAME														機號 BODY NO.	備註 REMARK												
	新碼 NEW PART NO.	舊碼 OLD PART NO.	規格 SPECIFICATION	互換性 I T C	應用日期 APPLIED DATE	數量 Q T Y	FD				FG						FD (C)				FG (C)							
							1	2	3	4	1	2	3	4			1	2	3	4	1	2	3	4				
0	<b>變速齒輪箱總成(TRANSMISSION ASSY)</b>																											
	B350017	21560200				1	A	B			G	H					S	T										
	B350018	22560200				1		C	D	E	F		I	J	K	L			U	V	W	X						
1	<b>深槽滾珠軸承(BEARING)</b>																											
	M0901-6306	92520309				2	A	B	C	D	E	F	G	H	I	J	K	L			S	T	U	V	W	X		
2	<b>惰輪軸-慢速22齒(IDLER SHAFT, SLOW-22T)</b>																											
		32560220			2000/10	1	A	B	C	D	E	F	G	H	I	J	K	L										
2	<b>惰輪軸-標準23齒(IDLER SHAFT, STANDARD-23T)</b>																											
	32129	32560202D			2003/02	1	A	B	C	D	E	F	G	H	I	J	K	L			S	T	U	V	W	X		
3	<b>扣環(SNAP RING)</b>																											
		92560203			2000/10	1	A	B	C	D	E	F	G	H	I	J	K	L										停用(NOT USED)
	M1312-S35	92512419			2003/02	1	A	B	C	D	E	F	G	H	I	J	K	L			S	T	U	V	W	X		
4	<b>惰齒輪(GEAR)</b>																											
	32130	32560204A				1	A	B	C	D	E	F	G	H	I	J	K	L			S	T	U	V	W	X		
5	<b>圓柱滾子軸承(BEARING)</b>																											
	M0904-NJ304	91501201				2	A	B			G	H					S	T										
	M0904-MUB5205UM	92501201				2		C	D	E	F		I	J	K	L			U	V	W	X						
6	<b>深槽滾珠軸承(BEARING)</b>																											
		92560219			2000/10	1	A	B	C	D	E	F	G	H	I	J	K	L										停用(NOT USED)
	M0901-6304	42560219			2003/02	1	A	B	C	D	E	F	G	H	I	J	K	L			S	T	U	V	W	X		
7	<b>O形環(O-RING)</b>																											
	M0801-G110	92560206				2	A	B	C	D	E	F	G	H	I	J	K	L			S	T	U	V	W	X		
8	<b>圓錐滾子軸承(BEARING)</b>																											
	M0909-30309D	92560207				2	A	B	C	D	E	F	G	H	I	J	K	L			S	T	U	V	W	X		
9	<b>軸承座填隙片(SHIM)</b>																											
		32560208				N	A	B	C	D	E	F	G	H	I	J	K	L			S	T	U	V	W	X		停用(NOT USED)
10	<b>軸承座(BEARING SEAT)</b>																											
	32131	32560209B				1	A	B	C	D	E	F	G	H	I	J	K	L			S	T	U	V	W	X		
11	<b>彈簧墊圈(SPRING WASHER)</b>																											
	M1605-M12	92501024				6	A	B	C	D	E	F	G	H	I	J	K	L			S	T	U	V	W	X		
12	<b>合金螺栓(BOLT)</b>																											
	32012	92501006A				6	A	B	C	D	E	F	G	H	I	J	K	L			S	T	U	V	W	X		
13	<b>間隔圈(SPACER)</b>																											
	32042	32501204A				1	A	B	C	D	E	F	G	H	I	J	K	L			S	T	U	V	W	X		
14	<b>套筒填隙片(SHIM, SLEEVE)</b>																											
		32560212			2000/10	1	A	B	C	D	E	F	G	H	I	J	K	L										停用(NOT USED)
	32043	32501205			2003/02	1	A	B	C	D	E	F	G	H	I	J	K	L			S	T	U	V	W	X		0.1~0.5t
	35272				2007/04	1	A	B	C	D	E	F	G	H	I	J	K	L			S	T	U	V	W	X		0.05t

# 變速箱系統 A301 TRANSMISSION SYSTEM

自排變速齒輪箱組

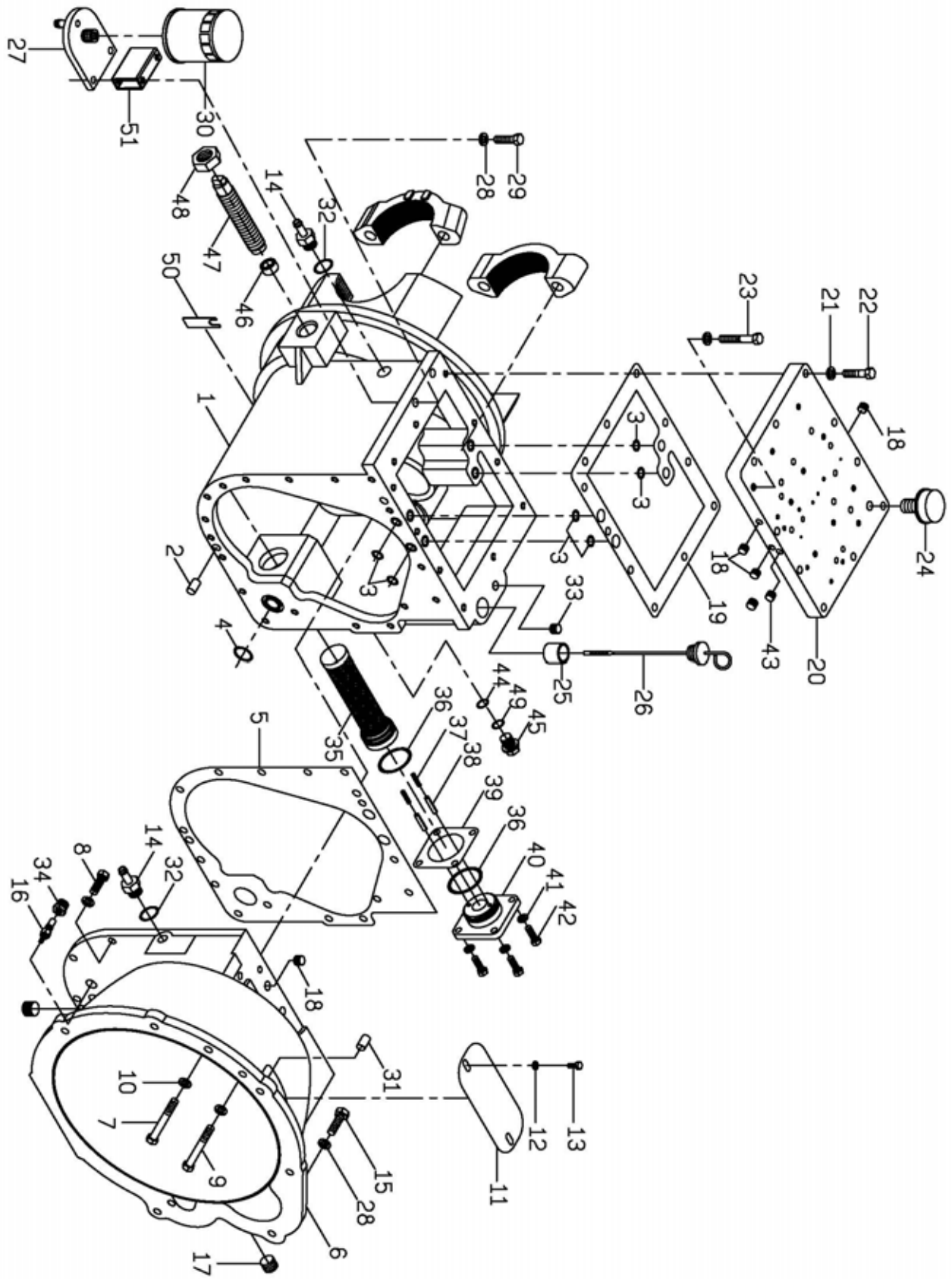
A301-7

(AT)TRANSMISSION GEAR BOX

編號 NO.	零件名稱 PART NAME														機號 BODY NO.	備註 REMARK												
	新碼 NEW PART NO.	舊碼 OLD PART NO.	規格 SPECIFICATION	互換性 I T C	應用日期 APPLIED DATE	數量 Q T Y	FD				FG						FD (C)				FG (C)							
							1	2	2	3	3	1	2	2			3	3	1	2	2	3	3	1	2	2	3	3
5	8	0	5	0	5	5	8	0	5	0	5	5	8	0	5	0	5	5	8	0	5	0	5					
A	B	C	D	E	F	G	H	I	J	K	L	M	N	O	P	Q	R	S	T	U	V	W	X					
15	<b>扣環(SNAP RING)</b>																											
	M1312-R100	92560213				1	A	B	C	D	E	F	G	H	I	J	K	L				S	T	U	V	W	X	
16	<b>O形環(O-RING)</b>																											
	M0801-P45	92560214				2	A	B	C	D	E	F	G	H	I	J	K	L				S	T	U	V	W	X	
17	<b>O形環(O-RING)</b>																											
	M0801-G55	92560215				1	A	B	C	D	E	F	G	H	I	J	K	L				S	T	U	V	W	X	
18	<b>套筒(SLEEVE)</b>																											
	32132	32560216A				1	A	B	C	D	E	F	G	H	I	J	K	L				S	T	U	V	W	X	
19	<b>油封(OIL SEAL)</b>																											
	M0701008	92560217				2	A	B	C	D	E	F	G	H	I	J	K	L				S	T	U	V	W	X	
20	<b>輸出齒輪-面速68齒(OUTPUT GEAR, SLOW-68T)</b>																											
		32560221			2000/10	1	A	B	C	D	E	F	G	H	I	J	K	L										
20	<b>輸出齒輪-標準67齒(OUTPUT GEAR, STANDARD-67T)</b>																											
	32133	32560218A			2003/02	1	A	B	C	D	E	F	G	H	I	J	K	L				S	T	U	V	W	X	
21	<b>特殊螺帽(NUT)</b>																											
	32048	32501208				1	A	B	C	D	E	F	G	H	I	J	K	L				S	T	U	V	W	X	
22	<b>齒輪填隙片(SHIM)</b>																											
	32134	31560222				1	A	B					G	H														停用(NOT USED)
	34909	31560225A			2006/10	1	A	B					G	H														
23	<b>墊片(WASHER)</b>																											
	34662	32560203				N	A	B	C	D	E	F	G	H	I	J	K	L				S	T	U	V	W	X	0.2t
24	<b>墊片(WASHER)</b>																											
	34663					N	A	B	C	D	E	F	G	H	I	J	K	L				S	T	U	V	W	X	0.5t
25	<b>墊片(WASHER)</b>																											
	34664					N	A	B	C	D	E	F	G	H	I	J	K	L				S	T	U	V	W	X	0.1t
26	<b>墊片(WASHER)</b>																											
	34665					N	A	B	C	D	E	F	G	H	I	J	K	L				S	T	U	V	W	X	1t

變速箱系統  
A301  
TRANSMISSION SYSTEM

自排變速箱體組  
A301-8  
(AT)TRANSMISSION CASE ASSY



# 變速箱系統 A301 TRANSMISSION SYSTEM

自排變速箱體組

A301-8

(AT)TRANSMISSION CASE ASSY

編號 NO.	零件名稱 PART NAME														機號 BODY NO.	備註 REMARK									
	新碼 NEW PART NO.	舊碼 OLD PART NO.	規格 SPECIFICATION	互換性 I T C	應用日期 APPLIED DATE	數量 Q T Y	FD			FG			FD (C)				FG (C)								
							1	2	3	1	2	3	1	2			3	1	2	3					
1	<b>變速箱體(TRANSMISSION CASE)</b>																								
	32135	31560301A				1	A	B		G	H				S	T									
	32136	32560301A				1		C	D	E	F	I	J	K	L		U	V	W	X					
2	<b>平行銷(PIN)</b>																								
	M1301-12*32					2	A	B	C	D	E	F	G	H	I	J	K	L		S	T	U	V	W	X
3	<b>O形環(O-RING)</b>																								
	M0801-P11	94012995				6	A	B	C	D	E	F	G	H	I	J	K	L		S	T	U	V	W	X
4	<b>O形環(O-RING)</b>																								
	M0801-P24	92509052				1	A	B	C	D	E	F	G	H	I	J	K	L		S	T	U	V	W	X
5	<b>密封墊(GASKET)</b>																								
		32560305			2000/10	1	A	B	C	D	E	F	G	H	I	J	K	L							停用(NOT USED)
		32560305A			2003/02	1	A	B	C	D	E	F	G	H	I	J	K	L		S	T	U	V	W	X
	32137	32560305B			2006/02	1	A	B	C	D	E	F	G	H	I	J	K	L		S	T	U	V	W	X
6	<b>變矩器箱體(TORQUE CONVERTER)</b>																								
		32560306			2000/10	1	A	B	C	D	E	F	G	H	I	J	K	L							停用(NOT USED)
	32138	32560306A			2003/02	1	A	B	C	D	E	F	G	H	I	J	K	L		S	T	U	V	W	X
7	<b>六角頭螺栓(BOLT)</b>																								
	M1424001	92502007				1	A	B	C	D	E	F	G	H	I	J	K	L		S	T	U	V	W	X
8	<b>六角頭螺栓(BOLT)</b>																								
	M1424004	92501102				13	A	B	C	D	E	F	G	H	I	J	K	L		S	T	U	V	W	X
9	<b>六角頭螺栓(BOLT)</b>																								
	M1424015	M1424-M10*55*P1.25				4	A	B	C	D	E	F	G	H	I	J	K	L		S	T	U	V	W	X
10	<b>彈簧墊圈(SPRING WASHER)</b>																								
	M1605-M10	92501218				18	A	B	C	D	E	F	G	H	I	J	K	L		S	T	U	V	W	X
11	<b>變速箱側蓋(COVER)</b>																								
		32560311			2000/10	1	A	B	C	D	E	F	G	H	I	J	K	L							停用(NOT USED)
	32139	32560311A			2003/02	1	A	B	C	D	E	F	G	H	I	J	K	L		S	T	U	V	W	X
	32139A				2007/02	1	A	B	C	D	E	F	G	H	I	J	K	L		S	T	U	V	W	X
12	<b>彈簧墊圈(SPRING WASHER)</b>																								
	M1605-M6	92503218				2	A	B	C	D	E	F	G	H	I	J	K	L		S	T	U	V	W	X
13	<b>六角頭螺栓(BOLT)</b>																								
	M1423-M6*16	92512513				2	A	B	C	D	E	F	G	H	I	J	K	L		S	T	U	V	W	X
14	<b>回油接頭(CONNECTOR)</b>																								
	32140	32560314				2	A	B	C	D	E	F	G	H	I	J	K	L		S	T	U	V	W	X
15	<b>六角頭螺栓(BOLT)</b>																								
	M1424007	92550105			2003/02	9	A	B	C	D	E	F	G	H	I	J	K	L		S	T	U	V	W	X
	M1424015	M1424-M10*55*P1.25			2006/01	9	A	B	C	D	E	F	G	H	I	J	K	L		S	T	U	V	W	X





# 變速箱系統 A301 TRANSMISSION SYSTEM

自排變速箱體組

A301-8

(AT)TRANSMISSION CASE ASSY

編號 NO.	零件名稱 PART NAME														機號 BODY NO.	備註 REMARK												
	新碼 NEW PART NO.	舊碼 OLD PART NO.	規格 SPECIFICATION	互換性 I T C	應用日期 APPLIED DATE	數量 Q T Y	FD				FG						FD (C)				FG (C)							
							1	2	2	3	3	1	2	2			3	3	1	2	2	3	3	1	2	2	3	
30	<b>濾油器(OIL FILTER)</b>																											
31	<b>平行銷(PIN)</b>																											
	M1301-12*30	92503008				2	A	B	C	D	E	F	G	H	I	J	K	L			S	T	U	V	W	X		
	32148	92560328				1	A	B	C	D	E	F	G	H	I	J	K	L			S	T	U	V	W	X		
32	<b>O形環(O-RING)</b>																											
	M0801-P16	92505211				2	A	B	C	D	E	F	G	H	I	J	K	L			S	T	U	V	W	X		
33	<b>內六角塞頭(PLUG)</b>																											
	M0604008	M0604-PT3/8"				1	A	B	C	D	E	F	G	H	I	J	K	L			S	T	U	V	W	X		
34	<b>油溫器座(SEAT, OIL TEMPERATURE SENSOR)</b>																											
		92520317			2000/10	1	A	B	C	D	E	F	G	H	I	J	K	L										停用(NOT USED)
	32149	92520317A			2003/02	1	A	B	C	D	E	F	G	H	I	J	K	L			S	T	U	V	W	X		停用(NOT USED)
	34970				2006/11	1	A	B	C	D	E	F	G	H	I	J	K	L			S	T	U	V	W	X		
35	<b>濾網(ELEMENT)</b>																											
	32150	32560601				1	A	B	C	D	E	F	G	H	I	J	K	L			S	T	U	V	W	X		
36	<b>O形環(O-RING)</b>																											
	M0801-P44	92560602				2	A	B	C	D	E	F	G	H	I	J	K	L			S	T	U	V	W	X		
37	<b>彈簧(Spring)</b>																											
	32151	92560603				2	A	B	C	D	E	F	G	H	I	J	K	L			S	T	U	V	W	X		
38	<b>彈簧銷(Spring Pin)</b>																											
	M1305-5*30	92560612				2	A	B	C	D	E	F	G	H	I	J	K	L			S	T	U	V	W	X		
39	<b>密封墊(GASKET)</b>																											
	32152	32560605				1	A	B	C	D	E	F	G	H	I	J	K	L			S	T	U	V	W	X		
40	<b>濾油器蓋(COVER)</b>																											
	32153	32560607A				1	A	B	C	D	E	F	G	H	I	J	K	L			S	T	U	V	W	X		
41	<b>彈簧墊圈(Spring Washer)</b>																											
	M1605-M8	92501019				4	A	B	C	D	E	F	G	H	I	J	K	L			S	T	U	V	W	X		
42	<b>六角頭螺栓(BOLT)</b>																											
	M1424-M8*20	92504208				4	A	B	C	D	E	F	G	H	I	J	K	L			S	T	U	V	W	X		
43	<b>內六角塞頭(PLUG)</b>																											
	M0604007	92560409				1	A	B	C	D	E	F	G	H	I	J	K	L			S	T	U	V	W	X		
44	<b>O形環(O-RING)</b>																											
	M0801-P14	92516406				1	A	B	C	D	E	F	G	H	I	J	K	L			S	T	U	V	W	X		
45	<b>放油塞(PLUG, DRAIN)</b>																											
	32154	92560611A				1	A	B	C	D	E	F	G	H	I	J	K	L			S	T	U	V	W	X		
46	<b>固定套(SLEEVE)</b>																											
	32013	32501017				1		C	D	E	F		I	J	K	L					U	V	W	X				

# 變速箱系統 A301 TRANSMISSION SYSTEM

自排變速箱體組

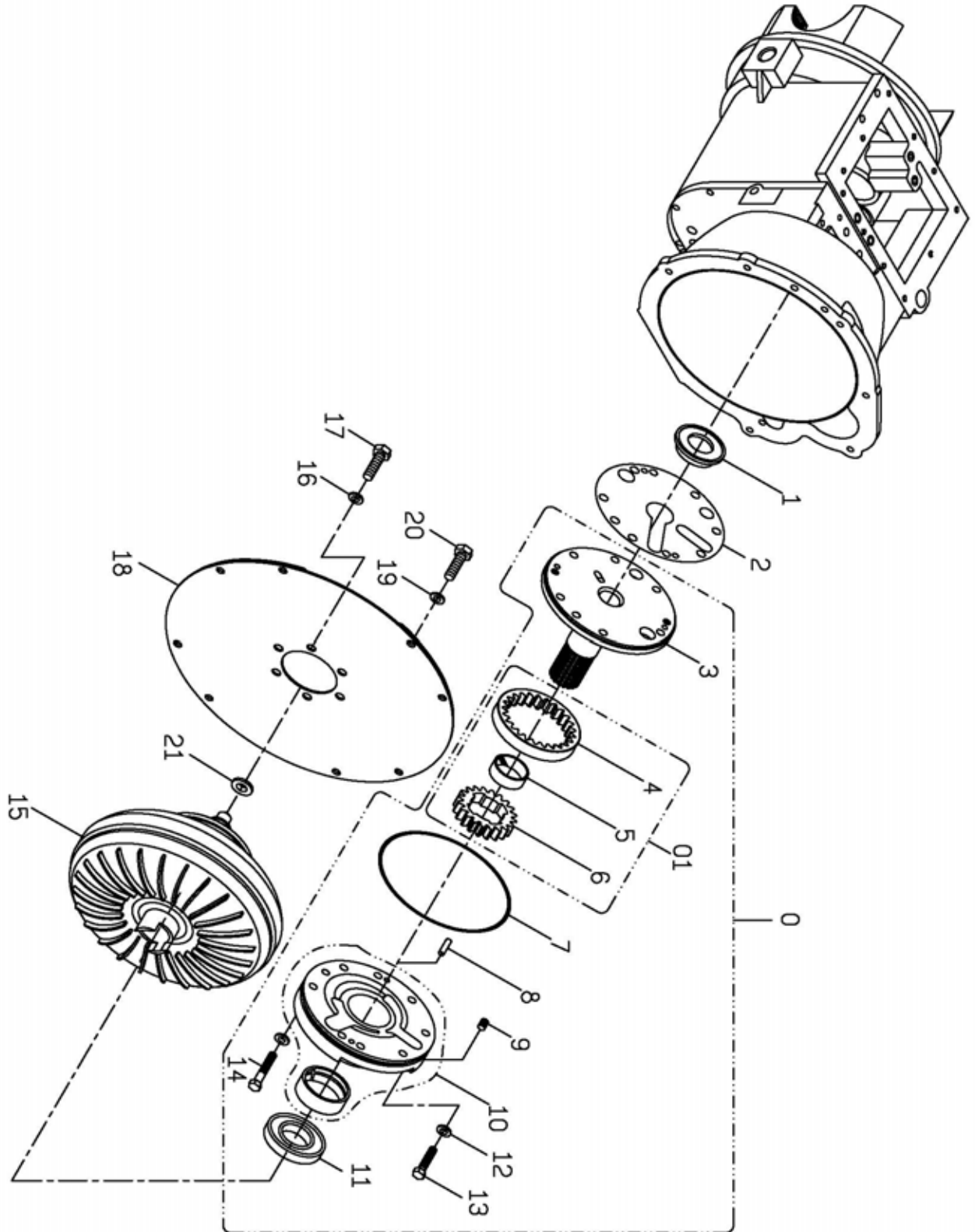
A301-8

(AT)TRANSMISSION CASE ASSY

編號 NO.	零件名稱 PART NAME																				機號 BODY NO.	備註 REMARK						
	新碼 NEW PART NO.	舊碼 OLD PART NO.	規格 SPECIFICATION	互換性 I T C	應用日期 APPLIED DATE	數量 Q T Y	FD				FG				FD (C)				FG (C)									
							1	2	3	3	1	2	3	3	1	2	3	3	1	2			3	3	1	2	3	3
47	<b>固定螺桿(ANCHOR NUT)</b>																											
	32014	32501015				1	C	D	E	F	I	J	K	L					U	V	W	X						
48	<b>止動螺帽(NUT)</b>																											
	32015	92501016				1	C	D	E	F	I	J	K	L					U	V	W	X						
49	<b>銅墊圈(WASHER "Cu")</b>																											
	34771	32560610			2006/10	1	A	B	C	D	E	F	G	H	I	J	K	L			S	T	U	V	W	X		
50	<b>鋼索固定片(STEEL FIXING)</b>																											
	34843	92512130A			2006/09	1	A	B	C	D	E	F	G	H	I	J	K	L			S	T	U	V	W	X		
51	<b>濾油器固定座(OIL FILTER BRACKET)</b>																											
	35562				2007/06	1															V	W						

變速箱系統  
A301  
TRANSMISSION SYSTEM

自排油泵組  
A301-9  
(AT)TRANSMISSION OIL PUMP



A301-9-1

# 變速箱系統 A301 TRANSMISSION SYSTEM

自排油泵組

A301-9

(AT)TRANSMISSION OIL PUMP

編號 NO.	零件名稱 PART NAME														機號 BODY NO.	備註 REMARK												
	新碼 NEW PART NO.	舊碼 OLD PART NO.	規格 SPECIFICATION	互換性 I T C	應用日期 APPLIED DATE	數量 Q T Y	FD			FG			FD (C)				FG (C)											
							1	2	3	1	2	3	1	2			3	1	2	3								
0	<b>泵浦總成(OIL PUMP ASSY)</b>																											
	B350019	22560422				1	A	B	C	D	E	F	G	H	I	J	K	L			S	T	U	V	W	X		
01	<b>油泵齒輪組(GEAR, OIL PUMP ASSY)</b>																											
	B351679				2008/08	1	A	B	C	D	E	F	G	H	I	J	K	L			S	T	U	V	W	X		
1	<b>鋼套(STEEL SLEEVE)</b>																											
	32155	32560401D				1	A	B	C	D	E	F	G	H	I	J	K	L			S	T	U	V	W	X		
2	<b>密封墊(GASKET)</b>																											
	32156	32560402				1	A	B	C	D	E	F	G	H	I	J	K	L			S	T	U	V	W	X		
3	<b>扭力轉換器油泵輪(SHAFT STARTER)</b>																											
	32157	32560403B				1	A	B	C	D	E	F	G	H	I	J	K	L			S	T	U	V	W	X		
4	<b>油泵內齒輪(ANNULAR GEAR, OIL PUMP)</b>																											
	32158	32560404A				1	A	B	C	D	E	F	G	H	I	J	K	L			S	T	U	V	W	X		
5	<b>自潤軸承(SELF-LUBRICATING BEARING)</b>																											
	32159	32560405A				1	A	B	C	D	E	F	G	H	I	J	K	L			S	T	U	V	W	X		
6	<b>油泵外齒輪(EXTERNAL GEAR, OIL PUMP)</b>																											
	32160	32560406A				1	A	B	C	D	E	F	G	H	I	J	K	L			S	T	U	V	W	X		
7	<b>O形環(O-RING)</b>																											
	M0801011	92560407				1	A	B	C	D	E	F	G	H	I	J	K	L			S	T	U	V	W	X		
8	<b>平行銷(PIN)</b>																											
	M1301-6*19.8	92560408				2	A	B	C	D	E	F	G	H	I	J	K	L			S	T	U	V	W	X	停用(NOT USED)	
	M1301-6*20	92560408				2	A	B	C	D	E	F	G	H	I	J	K	L			S	T	U	V	W	X		
9	<b>內六角塞頭(PLUG)</b>																											
	M0604007	92560409				1	A	B	C	D	E	F	G	H	I	J	K	L			S	T	U	V	W	X		
10	<b>油泵體(PUMP BODY)+自潤軸承(BEARING)</b>																											
	B350020					1	A	B	C	D	E	F	G	H	I	J	K	L			S	T	U	V	W	X		
11	<b>油封(OIL SEAL)</b>																											
	M0713001	92560412				1	A	B	C	D	E	F	G	H	I	J	K	L			S	T	U	V	W	X		
12	<b>防油銅墊片(WASHER "Cu" OIL PROOF)</b>																											
	32161	32560413				8	A	B	C	D	E	F	G	H	I	J	K	L			S	T	U	V	W	X		
13	<b>六角頭螺栓(BOLT)</b>																											
	M1424-M8*35	92501009				2	A	B	C	D	E	F	G	H	I	J	K	L			S	T	U	V	W	X		
14	<b>六角頭螺栓(BOLT)</b>																											
	M1424-M8*45	92560416				6	A	B	C	D	E	F	G	H	I	J	K	L			S	T	U	V	W	X		
15	<b>變矩器(TORQUE CONVERTER)</b>																											
	32162	22560417				1	A	B	C	D	E	F	G	H	I	J	K	L			S	T	U	V	W	X		
16	<b>彈簧墊圈(SPRING WASHER)</b>																											
	M1605-M10	92501218				6	A	B	C	D	E	F	G	H	I	J	K	L			S	T	U	V	W	X		

# 變速箱系統 A301 TRANSMISSION SYSTEM

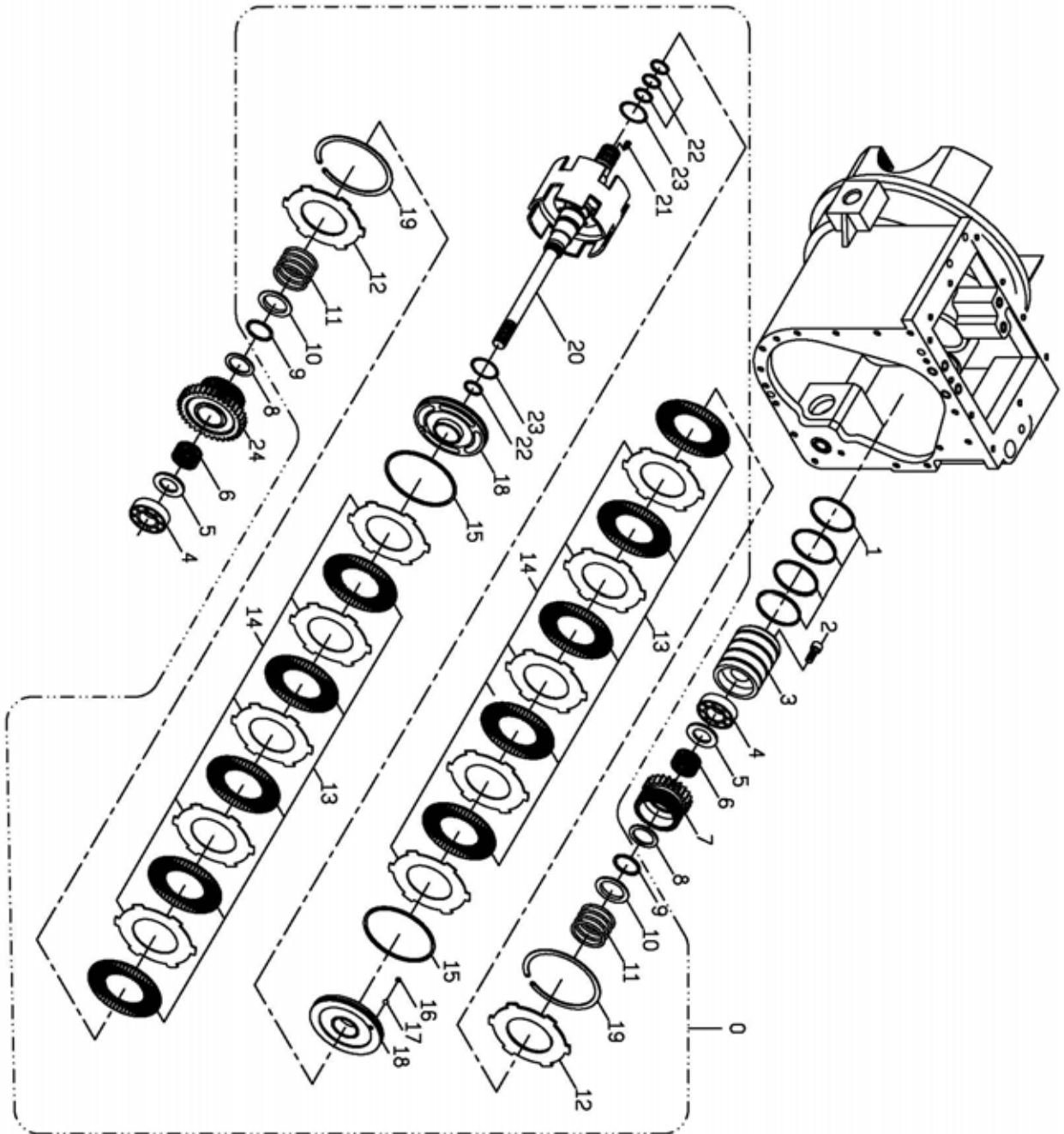
自排油泵組  
A301-9

(AT)TRANSMISSION OIL PUMP

編號 NO.	零件名稱 PART NAME														機號 BODY NO.	備註 REMARK																
	新碼 NEW PART NO.	舊碼 OLD PART NO.	規格 SPECIFICATION	互換性 I T C	應用日期 APPLIED DATE	數量 Q T Y	FD			FG			FD (C)				FG (C)															
							1	2	3	1	2	3	1	2			3	1	2	3												
							5	8	0	5	5	5	5	8	0	5	5	5	5	8	0	5	5	5								
							A	B	C	D	E	F	G	H	I	J	K	L	M	N	O	P	Q	R	S	T	U	V	W	X		
17	<b>六角頭螺栓(BOLT)</b>																															
	M1424002	92501219				6	A	B	C	D	E	F	G	H	I	J	K	L				S	T	U	V	W	X					
18	<b>撓性板總成(FLEXIBLE PLATE ASSY)</b>																															
	32164	22560421	H20, H25			1							G	H	I	J	K	L				S	T	U	V	W	X		修改(MODIFY)			
	32163	22560420	C240, 4JG2			1	A	B	C	D	E	F																				
	32164	22560421	K21, K25			1							G	H	I	J	K	L				S	T	U	V	W	X					
	31589A		GM3.0			1							H	I	J	K	L					T	U	V	W	X						
19	<b>彈簧墊圈(Spring Washer)</b>																															
		92520129			2000/10	8	A	B	C	D	E	F	G	H	I	J	K	L												停用(NOT USED)		
	M1605-M8	92501019			2003/02	8	A	B	C	D	E	F	G	H	I	J	K	L				S	T	U	V	W	X					
20	<b>六角頭螺栓(BOLT)</b>																															
		92520128			2000/10	8	A	B	C	D	E	F	G	H	I	J	K	L												停用(NOT USED)		
	M1424-M8*16	92501014			2003/02	8	A	B	C	D	E	F	G	H	I	J	K	L				S	T	U	V	W	X					
21	<b>心軸套(SLEEVE, SPINDLE)</b>																															
	31470					1	A	B	C	D	E	F	G	H	I	J	K	L				S	T	U	V	W	X		停用(NOT USED)			

變速箱系統  
A301  
TRANSMISSION SYSTEM

自排離合器組  
A301-10  
(AT)TRANSMISSION CLUTCH ASSY



# 變速箱系統 A301 TRANSMISSION SYSTEM

自排離合器組

A301-10

(AT)TRANSMISSION CLUTCH ASSY

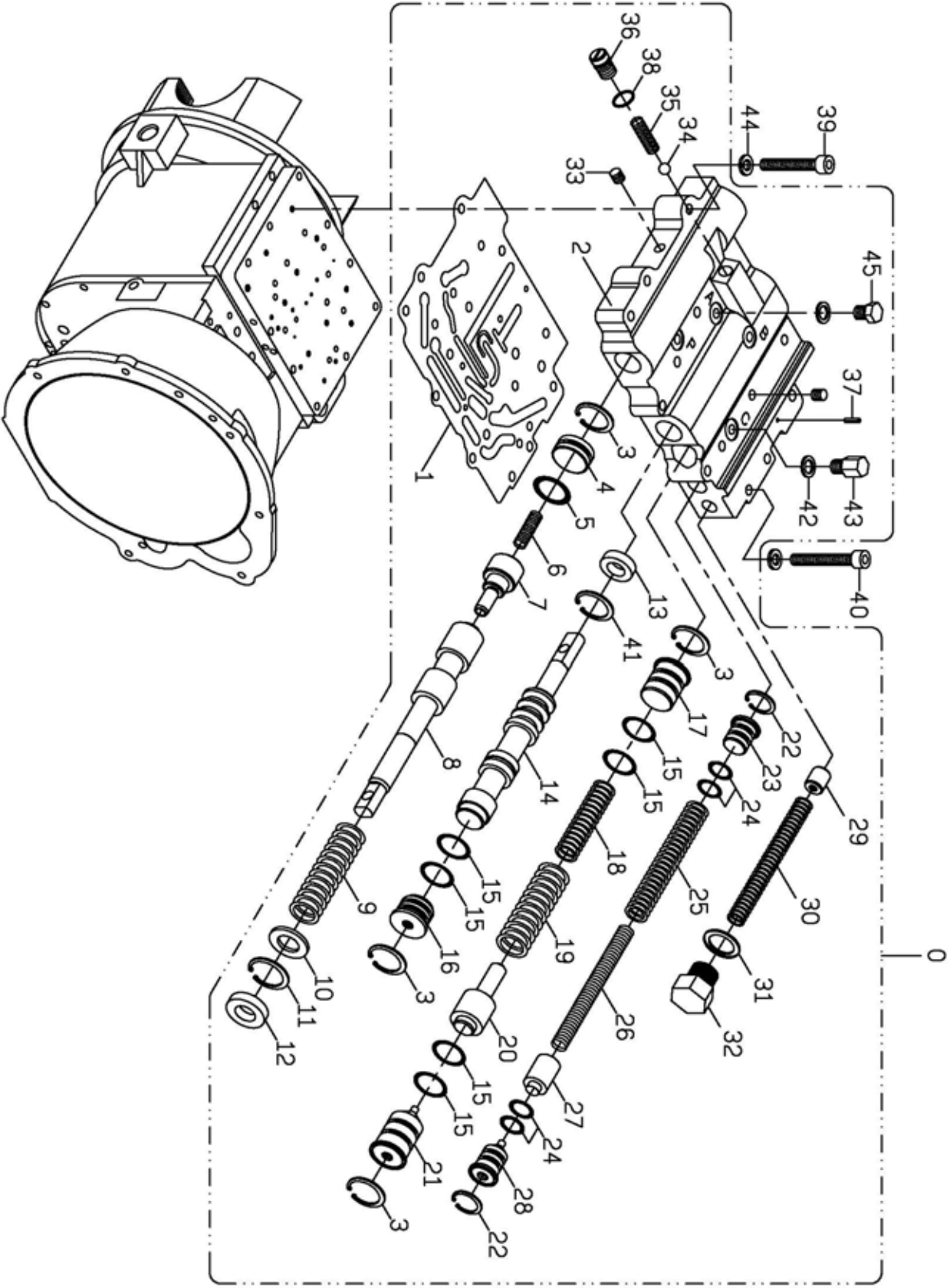
編號 NO.	零件名稱 PART NAME														機號 BODY NO.	備註 REMARK									
	新碼 NEW PART NO.	舊碼 OLD PART NO.	規格 SPECIFICATION	互換性 I T C	應用日期 APPLIED DATE	數量 Q T Y	FD			FG			FD (C)				FG (C)								
							1	2	3	1	2	3	1	2			3	1	2	3					
0	<b>輸入軸總成(INPUT SHAFT ASSY)</b>																								
	B350021	21560530				1	A	B		G	H				S	T									
	B350022	22560530				1		C	D	E	F	I	J	K	L	U	V	W	X						
1	<b>O形環(O-RING)</b>																								
	M0801-G70	93006038				4	A	B	C	D	E	F	G	H	I	J	K	L	S	T	U	V	W	X	
2	<b>六角承窩頭螺栓(BOLT)</b>																								
	M1401-M10*25	92560502				2	A	B	C	D	E	F	G	H	I	J	K	L	S	T	U	V	W	X	
3	<b>輸入軸端套(SLEEVE, INPUT SHAFT)</b>																								
		32560503			2000/10	1	A	B	C	D	E	F	G	H	I	J	K	L							停用(NOT USED)
	32165	32560503C			2003/02	1	A	B	C	D	E	F	G	H	I	J	K	L	S	T	U	V	W	X	
4	<b>深槽滾珠軸承(BEARING)</b>																								
	M0901-6206	92560504				2	A	B	C	D	E	F	G	H	I	J	K	L	S	T	U	V	W	X	
5	<b>止推墊(THRUST WASHER)</b>																								
	32166	32560505				2	A	B	C	D	E	F	G	H	I	J	K	L	S	T	U	V	W	X	
6	<b>滾針軸承(BEARING)</b>																								
	M0905-KT354220	92501210				2	A	B	C	D	E	F	G	H	I	J	K	L	S	T	U	V	W	X	
7	<b>齒輪-22齒(GEAR-22T)</b>																								
		32560527			2000/10	1	A	B	C	D	E	F	G	H	I	J	K	L							停用(NOT USED)
7	<b>齒輪-23齒(GEAR-23T)</b>																								
	32167	32560507A			2003/02	1	A	B	C	D	E	F	G	H	I	J	K	L	S	T	U	V	W	X	
8	<b>止推墊(THRUST WASHER)</b>																								
	32168	32560508				2	A	B	C	D	E	F	G	H	I	J	K	L	S	T	U	V	W	X	
9	<b>特殊扣環(SNAP RING)</b>																								
	32169	32560509				2	A	B	C	D	E	F	G	H	I	J	K	L	S	T	U	V	W	X	
10	<b>套筒(SLEEVE)</b>																								
	32170	32560510				2	A	B	C	D	E	F	G	H	I	J	K	L	S	T	U	V	W	X	
11	<b>壓縮彈簧(SPRING)</b>																								
	32171	92560511				2	A	B	C	D	E	F	G	H	I	J	K	L	S	T	U	V	W	X	
12	<b>磨擦壓片(PLATE, PRESSURE)</b>																								
	32172	32560512C				2	A	B	C	D	E	F	G	H	I	J	K	L	S	T	U	V	W	X	
13	<b>內磨擦片(PLATE, FRICTION)</b>																								
	32173	32560513C				8	A	B		G	H				S	T									
	32173	32560513C				10		C	D	E	F	I	J	K	L	U	V	W	X						
14	<b>外磨擦片(PLATE, MATING)</b>																								
	32174	32560514D				8	A	B		G	H				S	T									
	32174	32560514D				10		C	D	E	F	I	J	K	L	U	V	W	X						
15	<b>離合器活塞環(CLUTCH PISTON RING)</b>																								
	32175	32560515A				2	A	B	C	D	E	F	G	H	I	J	K	L	S	T	U	V	W	X	





變速箱系統  
A301  
TRANSMISSION SYSTEM

自排控制閥組  
A301-11  
(AT)CONTROL VALVE ASSY



A301-11-1

# 變速箱系統 A301 TRANSMISSION SYSTEM

自排控制閥組  
A301-11  
(AT)CONTROL VALVE ASSY

編號 NO.	零件名稱 PART NAME														機號 BODY NO.	備註 REMARK							
	新碼 NEW PART NO.	舊碼 OLD PART NO.	規格 SPECIFICATION	互換性 I T C	應用日期 APPLIED DATE	數量 Q T Y	FD			FG			FD (C)				FG (C)						
							1	2	3	1	2	3	1	2			3	1	2	3			
0	<b>操縱閥總成(CONTROL VALVE ASSY)</b>																						
	B350023	22560700				1	A	B	C	D	E	F	G	H	I	J	K	L			STUVWX		停用(NOT USED)
1	<b>密封墊(GASKET)</b>																						
	32185	32560701				1	A	B	C	D	E	F	G	H	I	J	K	L			STUVWX		停用(NOT USED)
2	<b>操縱閥體(CONTROL VALVE BODY)</b>																						
	32186	32560702				1	A	B	C	D	E	F	G	H	I	J	K	L			STUVWX		停用(NOT USED)
3	<b>扣環(SNAP RING)</b>																						
	M1312-R28	92560703				4	A	B	C	D	E	F	G	H	I	J	K	L			STUVWX		停用(NOT USED)
4	<b>閥孔塞(PLUG, VALVE HOLE)</b>																						
	32187	32560704				1	A	B	C	D	E	F	G	H	I	J	K	L			STUVWX		停用(NOT USED)
5	<b>O形環(O-RING)</b>																						
	M0801-P24	92509052				1	A	B	C	D	E	F	G	H	I	J	K	L			STUVWX		停用(NOT USED)
6	<b>寸動彈簧(SPRING, INCHING VALVE)</b>																						
	32188	92560706				1	A	B	C	D	E	F	G	H	I	J	K	L			STUVWX		停用(NOT USED)
7	<b>彈簧柱塞(PLUNGER, SPRING)</b>																						
	32189	32560707				1	A	B	C	D	E	F	G	H	I	J	K	L			STUVWX		停用(NOT USED)
8	<b>寸動閥桿(PLUNGER, INCHING VALVE)</b>																						
	32190	32560708				1	A	B	C	D	E	F	G	H	I	J	K	L			STUVWX		停用(NOT USED)
9	<b>寸動主彈簧(SPRING, MAIN INCHING VALVE)</b>																						
	32191	92560709				1	A	B	C	D	E	F	G	H	I	J	K	L			STUVWX		停用(NOT USED)
10	<b>墊片(WASHER)</b>																						
	32192	32560710				1	A	B	C	D	E	F	G	H	I	J	K	L			STUVWX		停用(NOT USED)
11	<b>扣環(SNAP RING)</b>																						
	M1312-R30	92560711				1	A	B	C	D	E	F	G	H	I	J	K	L			STUVWX		停用(NOT USED)
12	<b>油封(OIL SEAL)</b>																						
	M0702057	92560712				1	A	B	C	D	E	F	G	H	I	J	K	L			STUVWX		停用(NOT USED)
13	<b>油封(OIL SEAL)</b>																						
	M0702056	92560713				1	A	B	C	D	E	F	G	H	I	J	K	L			STUVWX		停用(NOT USED)
14	<b>操縱桿(LEVER, CONTROL)</b>																						
	32193	32560714				1	A	B	C	D	E	F	G	H	I	J	K	L			STUVWX		停用(NOT USED)
15	<b>O形環(O-RING)</b>																						
	M0801-P21	92560715				6	A	B	C	D	E	F	G	H	I	J	K	L			STUVWX		停用(NOT USED)
16	<b>操縱管塞(PLUG, CONTROL TUBE)</b>																						
	32194	32560716				1	A	B	C	D	E	F	G	H	I	J	K	L			STUVWX		停用(NOT USED)
17	<b>蓄壓閥塞(PLUG, ACCUMULATOR VALVE)</b>																						
	32195	32560717				1	A	B	C	D	E	F	G	H	I	J	K	L			STUVWX		停用(NOT USED)
18	<b>蓄壓彈簧(SPRING, ACCUMULATOR)</b>																						
	32196	92560718				1	A	B	C	D	E	F	G	H	I	J	K	L			STUVWX		停用(NOT USED)

# 變速箱系統 A301 TRANSMISSION SYSTEM

自排控制閥組  
A301-11  
(AT)CONTROL VALVE ASSY

編號 NO.	零件名稱 PART NAME														機號 BODY NO.	備註 REMARK							
	新碼 NEW PART NO.	舊碼 OLD PART NO.	規格 SPECIFICATION	互換性 I T C	應用日期 APPLIED DATE	數量 Q T Y	FD			FG			FD (C)				FG (C)						
							1	2	3	1	2	3	1	2			3	1	2	3			
19	<b>蓄壓主彈簧 (SPRING, MAIN ACCUMULATOR)</b>																						
	32197	92560719				1	A	B	C	D	E	F	G	H	I	J	K	L			STUVWX		停用 (NOT USED)
20	<b>彈簧座 (SEAT SPRING, ACCUMULATOR)</b>																						
	32198	92560720				1	A	B	C	D	E	F	G	H	I	J	K	L			STUVWX		停用 (NOT USED)
21	<b>圓錐滾子塞 (PLUG CONICAL, ACCUMULATOR)</b>																						
	32199	32560721				1	A	B	C	D	E	F	G	H	I	J	K	L			STUVWX		停用 (NOT USED)
22	<b>扣環 (SNAP RING)</b>																						
	M1312-R22	92560722				2	A	B	C	D	E	F	G	H	I	J	K	L			STUVWX		停用 (NOT USED)
23	<b>調壓閥塞 (PLUG, RELIEF VALVE)</b>																						
	32200	32560723				1	A	B	C	D	E	F	G	H	I	J	K	L			STUVWX		停用 (NOT USED)
24	<b>O形環 (O-RING)</b>																						
	M0801-P14	92516406				4	A	B	C	D	E	F	G	H	I	J	K	L			STUVWX		停用 (NOT USED)
25	<b>調壓主彈簧 (SPRING, MAIN RELIEF)</b>																						
	32202	92560726B				1	A	B	C	D	E	F	G	H	I	J	K	L			STUVWX		停用 (NOT USED)
26	<b>調壓彈簧 (SPRING, RELIEF)</b>																						
	32201	92560725B				1	A	B	C	D	E	F	G	H	I	J	K	L			STUVWX		停用 (NOT USED)
27	<b>調壓閥活塞 (RELIEF VALVE PISTON)</b>																						
	32203	32560727				1	A	B	C	D	E	F	G	H	I	J	K	L			STUVWX		停用 (NOT USED)
28	<b>圓錐滾子塞 (CONICAL PLUG, RELIEF)</b>																						
	32204	32560728				1	A	B	C	D	E	F	G	H	I	J	K	L			STUVWX		停用 (NOT USED)
29	<b>彈簧座 (SPRING SEAT, DECOMPRESSION)</b>																						
	32205	32560729				1	A	B	C	D	E	F	G	H	I	J	K	L			STUVWX		停用 (NOT USED)
30	<b>釋放彈簧 (SPRING, DECOMPRESSION)</b>																						
	32206	92560730				1	A	B	C	D	E	F	G	H	I	J	K	L			STUVWX		停用 (NOT USED)
31	<b>墊圈 (WASHER)</b>																						
	32207	32560731				1	A	B	C	D	E	F	G	H	I	J	K	L			STUVWX		停用 (NOT USED)
32	<b>彈簧螺塞 (PLUG, SPRING)</b>																						
	32208	32560732				1	A	B	C	D	E	F	G	H	I	J	K	L			STUVWX		停用 (NOT USED)
33	<b>內六角塞頭 (PLUG)</b>																						
	M0604007	92560409				5	A	B	C	D	E	F	G	H	I	J	K	L			STUVWX		停用 (NOT USED)
34	<b>鋼珠 (STEEL BALL)</b>																						
	M1323028	92560734				1	A	B	C	D	E	F	G	H	I	J	K	L			STUVWX		停用 (NOT USED)
35	<b>定位彈簧 (SPRING)</b>																						
	32209	92560735				1	A	B	C	D	E	F	G	H	I	J	K	L			STUVWX		停用 (NOT USED)
36	<b>定位螺栓 (BOLT)</b>																						
	32210	32560736				1	A	B	C	D	E	F	G	H	I	J	K	L			STUVWX		停用 (NOT USED)
37	<b>平行銷 (PIN)</b>																						
	M1301-3*13	92560737				1	A	B	C	D	E	F	G	H	I	J	K	L			STUVWX		停用 (NOT USED)

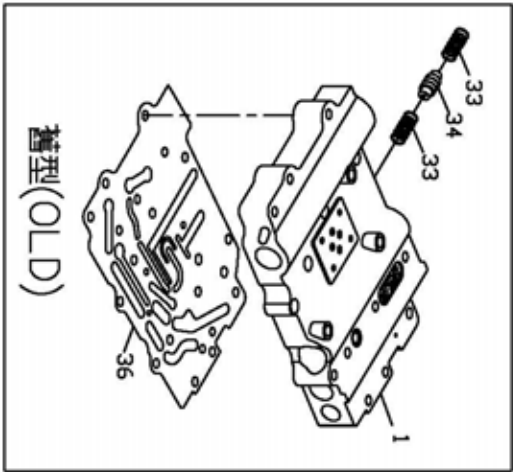
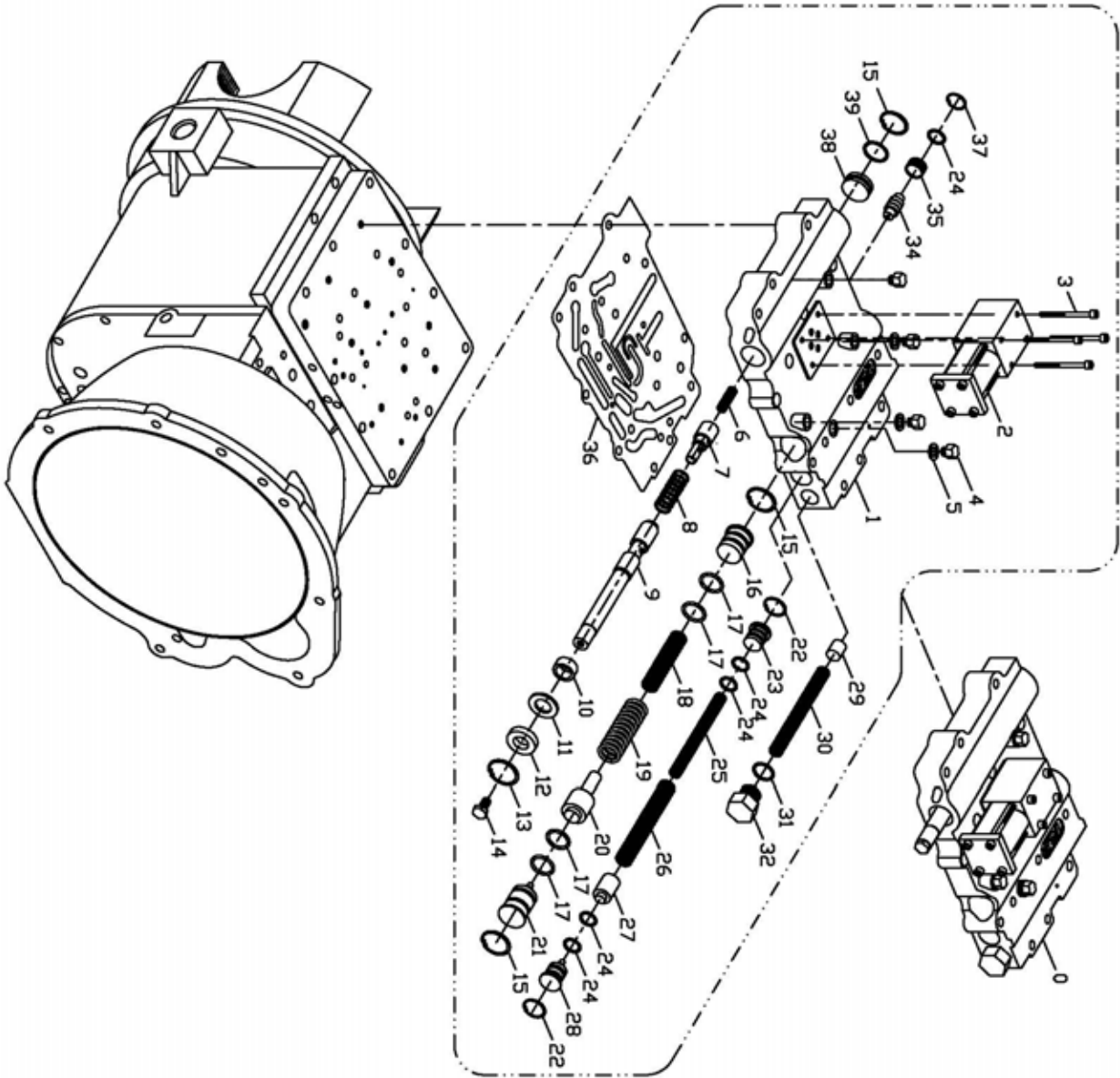
# 變速箱系統 A301 TRANSMISSION SYSTEM

自排控制閥組  
A301-11  
(AT)CONTROL VALVE ASSY

編號 NO.	零件名稱 PART NAME														機號 BODY NO.	備註 REMARK					
	新碼 NEW PART NO.	舊碼 OLD PART NO.	規格 SPECIFICATION	互換性 I T C	應用日期 APPLIED DATE	數量 Q T Y	FD			FG			FD (C)				FG (C)				
							1	2	3	1	2	3	1	2			3	1	2	3	
38	<b>O形環(O-RING)</b>																				
	M0801-P10	92520909				1	A	B	C	D	E	F	G	H	I	J	K	L			停用(NOT USED)
39	<b>六角承窩頭螺栓(BOLT)</b>																				
	M1401-M8*45	92560739				7	A	B	C	D	E	F	G	H	I	J	K	L			停用(NOT USED)
40	<b>六角承窩頭螺栓(BOLT)</b>																				
	M1401-M8*50	92560740				7	A	B	C	D	E	F	G	H	I	J	K	L			停用(NOT USED)
41	<b>扣環(SNAP RING)</b>																				
	M1312-R25	92560741				1	A	B	C	D	E	F	G	H	I	J	K	L			停用(NOT USED)
42	<b>銅墊片(WASHER "Cu")</b>																				
	32211	32560742C				4	A	B	C	D	E	F	G	H	I	J	K	L			停用(NOT USED)
43	<b>測壓孔螺栓(BOLT)</b>																				
	32212	32560743D				3	A	B	C	D	E	F	G	H	I	J	K	L			停用(NOT USED)
44	<b>彈簧墊圈(SPRING WASHER)</b>																				
	M1605-M8	92501019				14	A	B	C	D	E	F	G	H	I	J	K	L			停用(NOT USED)
45	<b>測壓孔螺栓(BOLT)</b>																				
	32213	32560745				1	A	B	C	D	E	F	G	H	I	J	K	L			停用(NOT USED)

# 變速箱系統 A301 TRANSMISSION SYSTEM

電子式自排控制閥組  
A301-11A  
(AT)ELECTRIC CONTROL VALVE



# 變速箱系統 A301 TRANSMISSION SYSTEM

電子式自排控制閥組

A301-11A

(AT)ELECTRIC CONTROL VALVE

編號 NO.	零件名稱 PART NAME														機號 BODY NO.	備註 REMARK											
	新碼 NEW PART NO.	舊碼 OLD PART NO.	規格 SPECIFICATION	互換性 I T C	應用日期 APPLIED DATE	數量 Q T Y	FD			FG			FD (C)				FG (C)										
							1	2	3	1	2	3	1	2			3	1	2	3							
0	<b>操縱閥組(CONTROL VALVE ASSY)</b>																										
	B350024	31646			2004/09	1	A	B	C	D	E	F	G	H	I	J	K	L		S	T	U	V	W	X	315944B	停用(NOT USED)
	B350024A				2007/11	1	A	B	C	D	E	F	G	H	I	J	K	L		S	T	U	V	W	X	TA01511	
1	<b>操縱閥體(CONTROL VALVE BODY)</b>																										
	31505				2004/09	1	A	B	C	D	E	F	G	H	I	J	K	L		S	T	U	V	W	X	315944B	停用(NOT USED)
	31505A				2007/05	1	A	B	C	D	E	F	G	H	I	J	K	L		S	T	U	V	W	X		停用(NOT USED)
	31505B				2007/11	1	A	B	C	D	E	F	G	H	I	J	K	L		S	T	U	V	W	X	TA01511	
2	<b>電磁閥(ELECTROMAGNETIC VALVE)</b>																										
	31645				2004/09	1	A	B	C	D	E	F	G	H	I	J	K	L		S	T	U	V	W	X	315944B	
3	<b>六角承窩頭螺栓(BOLT)</b>																										
	M1401-M5*45				2004/09	4	A	B	C	D	E	F	G	H	I	J	K	L		S	T	U	V	W	X	315944B	
4	<b>測壓孔螺栓(BOLT)</b>																										
	32213	32560745			2004/09	4	A	B	C	D	E	F	G	H	I	J	K	L		S	T	U	V	W	X	315944B	
5	<b>銅墊片(WASHER "Cu")</b>																										
	32211	32560742C			2004/09	4	A	B	C	D	E	F	G	H	I	J	K	L		S	T	U	V	W	X	315944B	
6	<b>寸動彈簧(SPRING, INCHING VALVE)</b>																										
	31637				2004/09	1	A	B	C	D	E	F	G	H	I	J	K	L		S	T	U	V	W	X	315944B	
7	<b>寸動彈簧柱塞(PLUNGER, INCHING VALVE SPRING)</b>																										
	31636				2004/09	1	A	B	C	D	E	F	G	H	I	J	K	L		S	T	U	V	W	X	315944B	
8	<b>寸動主彈簧(SPRING, MAIN INCHING VALVE)</b>																										
	31635				2004/09	1	A	B	C	D	E	F	G	H	I	J	K	L		S	T	U	V	W	X	315944B	
9	<b>寸動閥桿(PLUNGER, INCHING VALVE)</b>																										
	31634A				2004/09	1	A	B	C	D	E	F	G	H	I	J	K	L		S	T	U	V	W	X	315944B	
10	<b>寸動滑套(SLEEVE, INCHING VALVE)</b>																										
	31640				2004/09	1	A	B	C	D	E	F	G	H	I	J	K	L		S	T	U	V	W	X	315944B	
11	<b>墊片(WASHER)</b>																										
	32192	32560710			2004/09	1	A	B	C	D	E	F	G	H	I	J	K	L		S	T	U	V	W	X	315944B	
12	<b>油封(OIL SEAL)</b>																										
	M0702057	92560712			2004/09	1	A	B	C	D	E	F	G	H	I	J	K	L		S	T	U	V	W	X	315944B	
13	<b>扣環(SNAP RING)</b>																										
	M1312-R30	92560711			2004/09	1	A	B	C	D	E	F	G	H	I	J	K	L		S	T	U	V	W	X	315944B	
14	<b>六角頭螺栓(BOLT)</b>																										
	M1402-M8*20				2004/09	1	A	B	C	D	E	F	G	H	I	J	K	L		S	T	U	V	W	X	315944B	
15	<b>扣環(SNAP RING)</b>																										
	M1312-R28	92560703			2004/09	3	A	B	C	D	E	F	G	H	I	J	K	L		S	T	U	V	W	X	315944B	
16	<b>蓄壓閥塞(PLUG, ACCUMULATOR VALVE)</b>																										
	32195	32560717			2004/09	1	A	B	C	D	E	F	G	H	I	J	K	L		S	T	U	V	W	X	315944B	

# 變速箱系統 A301 TRANSMISSION SYSTEM

電子式自排控制閥組

A301-11A

(AT)ELECTRIC CONTROL VALVE

編號 NO.	零件名稱 PART NAME														機號 BODY NO.	備註 REMARK							
	新碼 NEW PART NO.	舊碼 OLD PART NO.	規格 SPECIFICATION	互換性 I T C	應用日期 APPLIED DATE	數量 Q T Y	FD			FG			FD (C)				FG (C)						
							1	2	3	1	2	3	1	2			3	1	2	3			
17	<b>0形環(O-RING)</b>																						
	M0801-P21	92560715			2004/09	4	A	B	C	D	E	F	G	H	I	J	K	L			STUVWX	315944B	
18	<b>蓄壓彈簧 (SPRING, ACCUMULATOR)</b>																						
	32196	92560718			2004/09	1	A	B	C	D	E	F	G	H	I	J	K	L			STUVWX	315944B	
19	<b>蓄壓主彈簧 (SPRING, MAIN ACCUMULATOR)</b>																						
	32197	92560719			2004/09	1	A	B	C	D	E	F	G	H	I	J	K	L			STUVWX	315944B	
20	<b>彈簧座 (SEAT SPRING, ACCUMULATOR)</b>																						
	32198	92560720			2004/09	1	A	B	C	D	E	F	G	H	I	J	K	L			STUVWX	315944B	
21	<b>錐型塞 (PLUG CONICAL, ACCUMULATOR)</b>																						
	32199	32560721			2004/09	1	A	B	C	D	E	F	G	H	I	J	K	L			STUVWX	315944B	
22	<b>扣環 (SNAP RING)</b>																						
	M1312-R22	92560722			2004/09	2	A	B	C	D	E	F	G	H	I	J	K	L			STUVWX	315944B	
23	<b>調壓閥塞 (PLUG, RELIEF VALVE)</b>																						
	32200	32560723			2004/09	1	A	B	C	D	E	F	G	H	I	J	K	L			STUVWX	315944B	
24	<b>0形環(O-RING)</b>																						
	M0801-P14	92516406			2004/09	5	A	B	C	D	E	F	G	H	I	J	K	L			STUVWX	315944B	
25	<b>調壓彈簧 (SPRING, RELIEF)</b>																						
	32201	92560725B			2004/09	1	A	B	C	D	E	F	G	H	I	J	K	L			STUVWX	315944B	
26	<b>調壓主彈簧 (SPRING, MAIN RELIEF)</b>																						
	32202	92560726B			2004/09	1	A	B	C	D	E	F	G	H	I	J	K	L			STUVWX	315944B	
27	<b>調壓閥活塞 (RELIEF VALVE PISTON)</b>																						
	32203	32560727			2004/09	1	A	B	C	D	E	F	G	H	I	J	K	L			STUVWX	315944B	
28	<b>圓錐滾子塞 (PLUG CONICAL, ACCUMULATOR)</b>																						
	32204	32560728			2004/09	1	A	B	C	D	E	F	G	H	I	J	K	L			STUVWX	315944B	
29	<b>彈簧座 (SPRING SEAT, DECOMPRESSION)</b>																						
	32205	32560729			2004/09	1	A	B	C	D	E	F	G	H	I	J	K	L			STUVWX	315944B	
30	<b>釋放彈簧 (SPRING, DECOMPRESSION)</b>																						
	32206	92560730			2004/09	1	A	B	C	D	E	F	G	H	I	J	K	L			STUVWX	315944B	
31	<b>0形環(O-RING)</b>																						
	M0801-P18	92501107			2004/09	1	A	B	C	D	E	F	G	H	I	J	K	L			STUVWX	315944B	
32	<b>彈簧螺塞 (PLUG, SPRING)</b>																						
	32208	32560732			2004/09	1	A	B	C	D	E	F	G	H	I	J	K	L			STUVWX	315944B	
33	<b>操縱活塞彈簧 (CONTROL PISTON SPRING)</b>																						
	31638				2004/09	2	A	B	C	D	E	F	G	H	I	J	K	L			STUVWX	315944B	停用 (NOT USED)
	31638A				2007/02	2	A	B	C	D	E	F	G	H	I	J	K	L			STUVWX		停用 (NOT USED)

# 變速箱系統 A301 TRANSMISSION SYSTEM

電子式自排控制閥組

A301-11A

(AT)ELECTRIC CONTROL VALVE

編號 NO.	零件名稱 PART NAME														機號 BODY NO.	備註 REMARK												
	新碼 NEW PART NO.	舊碼 OLD PART NO.	規格 SPECIFICATION	互換性 I T C	應用日期 APPLIED DATE	數量 Q T Y	FD				FG						FD (C)				FG (C)							
							1	2	3	3	1	2	3	3			1	2	3	3	1	2	3	3				
34	<b>操縱活塞(CONTROL PISTON)</b>																											
	31639				2004/09	1	A	B	C	D	E	F	G	H	I	J	K	L			S	T	U	V	W	X	315944B	停用(NOT USED)
	31639A				2007/02	1	A	B	C	D	E	F	G	H	I	J	K	L			S	T	U	V	W	X		停用(NOT USED)
	31639B				2007/11	1	A	B	C	D	E	F	G	H	I	J	K	L			S	T	U	V	W	X		停用(NOT USED)
	31639C				2007/11	1	A	B	C	D	E	F	G	H	I	J	K	L			S	T	U	V	W	X	TA01511	
35	<b>操縱管塞(PLUG, CONTROL TUBE)</b>																											
	31641				2004/09	1	A	B	C	D	E	F	G	H	I	J	K	L			S	T	U	V	W	X	315944B	
36	<b>密封墊(GASKET)</b>																											
	31504				2004/09	1	A	B	C	D	E	F	G	H	I	J	K	L			S	T	U	V	W	X	315944B	停用(NOT USED)
	31504A				2007/05	1	A	B	C	D	E	F	G	H	I	J	K	L			S	T	U	V	W	X		停用(NOT USED)
	31504B				2007/11	1	A	B	C	D	E	F	G	H	I	J	K	L			S	T	U	V	W	X	TA01511	
37	<b>扣環(SNAP RING)</b>																											
	M1312-R18				2004/09	1	A	B	C	D	E	F	G	H	I	J	K	L			S	T	U	V	W	X	315944B	
38	<b>閥孔塞(PLUG, VALVE HOLE)</b>																											
	32187	32560704			2004/09	1	A	B	C	D	E	F	G	H	I	J	K	L			S	T	U	V	W	X	315944B	
39	<b>O形環(O-RING)</b>																											
	M0801-P24	92509052			2004/09	1	A	B	C	D	E	F	G	H	I	J	K	L			S	T	U	V	W	X	315944B	



前輪軸系統

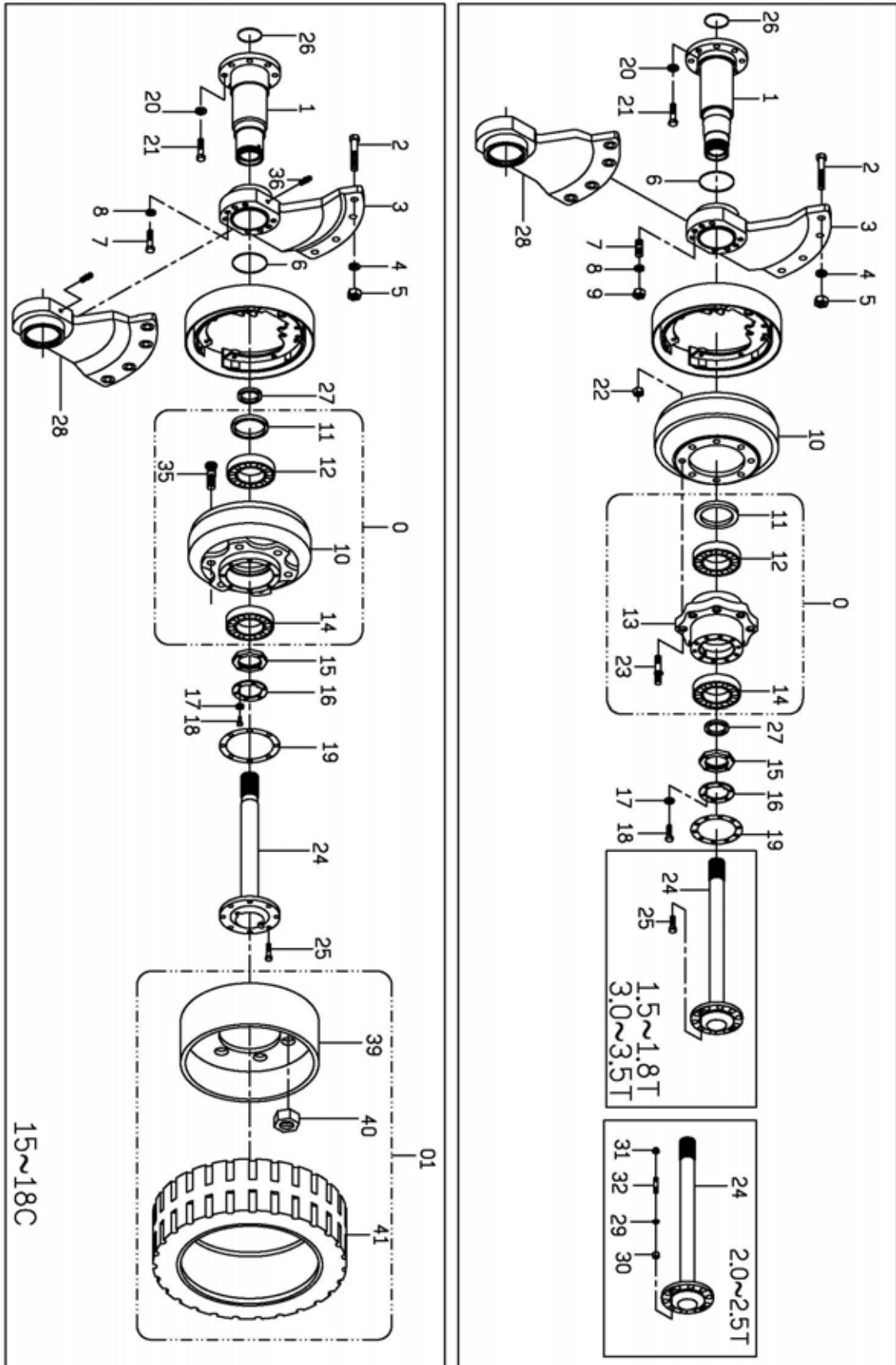
A302

DRIVE AXLE

SYSTEM

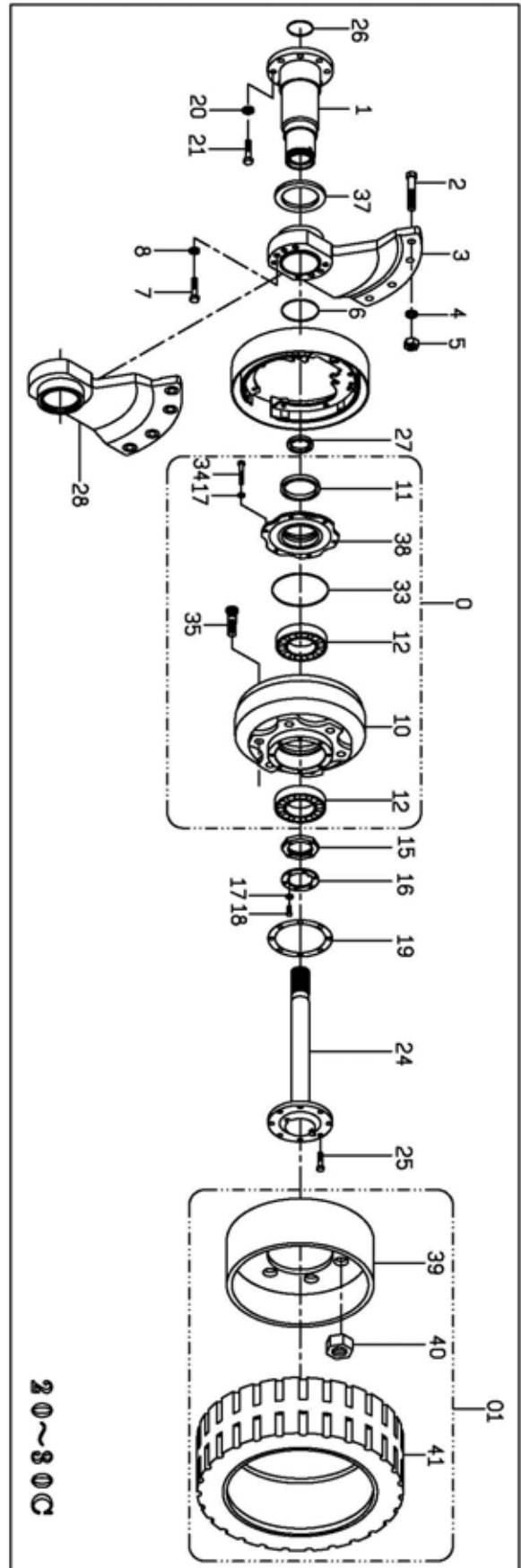
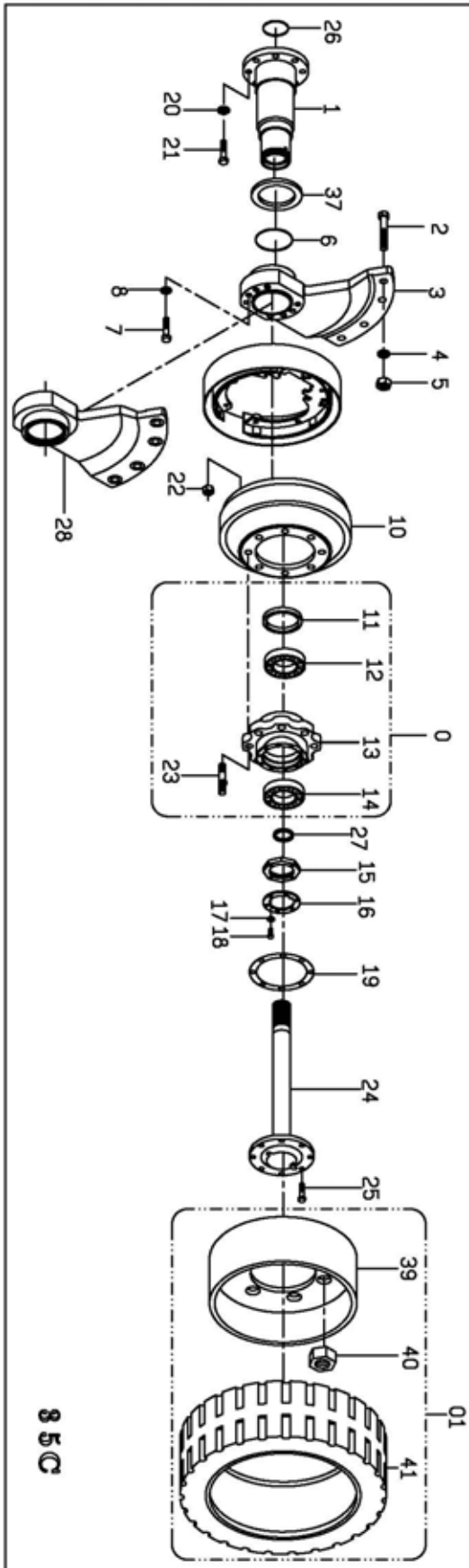
# 前輪軸系統 A302 DRIVE AXLE SYSTEM

前輪軸  
A302-1  
DRIVE AXLE



# 前輪軸系統 A302 DRIVE AXLE SYSTEM

前輪軸  
A302-1  
DRIVE AXLE



# 前輪軸系統 A302 DRIVE AXLE SYSTEM

前輪軸  
A302-1  
DRIVE AXLE

編號 NO.	零件名稱 PART NAME													機號 BODY NO.	備註 REMARK					
	新碼 NEW PART NO.	舊碼 OLD PART NO.	規格 SPECIFICATION	互換性 I T C	應用日期 APPLIED DATE	數量 Q T Y	FD			FG			FD (C)			FG (C)				
							1	2	3	1	2	3	1			2	3	1	2	3
0	<b>前輪鼓總成(FRONT DRUM ASSY)</b>																			
	B350025					1	A	B		G	H									
	B350026					1		C	D		I	J								
	B350027					1			E	F		K	L							
	B350028					1								S	T					
	B350029					1									U	V	W			
	B350030					1											X			
01	<b>實心輪胎總成(CUSHION SOLID TIRE ASSY)</b>																			
	B350506					2								S	T					
	B350507					2									U	V				
	B350508					2										W				
	B350509					2											X			
1	<b>前輪基軸(HOUSING, DRIVE AXLE)</b>																			
	32214	31506043				2	A	B		G	H									
	32215	32506001A				2		C	D		I	J								
	32216	33006041B				2			E	F		K	L							
	32217	51506001				2								S	T					
	32218	52506001				2									U	V	W			
	32219	53506001				2											X			
2	<b>六角頭螺栓(BOLT)</b>																			
	32220	32506002				8	A	B	C	D	E	F	G	H	I	J	K	L		
	M1423024	52506046				8									S	T	U	V	W	X
3	<b>前輪托架(右)(SUPPORT)(R. H.)</b>																			
	32221	31506003				1	A	B		G	H									
	32222	32506051A				1		C	D		I	J								
	32223	33006051				1			E	F		K	L							
	32224	51506003				1								S	T					
	32225	52506003A				1									U	V	W	X		
4	<b>彈簧墊圈(SPRING WASHR)</b>																			
	M1605-M18	92506004				8	A	B	C	D	E	F	G	H	I	J	K	L		
														S	T	U	V	W	X	
5	<b>六角螺帽(NUT)</b>																			
	M1513006	92506005				8	A	B	C	D	E	F	G	H	I	J	K	L		
														S	T	U	V	W	X	
6	<b>O形環(O-RING)</b>																			
	M0801-G75	42515305				2	A	B		G	H			S	T					
	M0801-G90	92506040				2		C	D		I	J								
	M0801-G95	93006040				2			E	F		K	L			U	V	W	X	
7	<b>六角頭螺栓(BOLT)</b>																			
	M1423004	92506042				16	A	B	C	D	E	F	G	H	I	J	K	L		
														S	T	U	V	W	X	



# 前輪軸系統 A302 DRIVE AXLE SYSTEM

前輪軸  
A302-1  
DRIVE AXLE

編號 NO.	零件名稱 PART NAME														機號 BODY NO.	備註 REMARK									
	新碼 NEW PART NO.	舊碼 OLD PART NO.	規格 SPECIFICATION	互換性 I T C	應用日期 APPLIED DATE	數量 Q T Y	FD			FG			FD (C)				FG (C)								
							1	2	3	1	2	3	1	2			3	1	2	3					
15	<b>六角螺帽(NUT)</b>																								
	32236	31506046				2	A	B		G	H														
	32237	32506015A				2		C	D		I	J													
	32238	33006015B				2			E	F			K	L		U	V	W	X						
	32239	51506046				2									S	T									
16	<b>止動環(RING, LOCK)</b>																								
	32240	31506047				2	A	B		G	H				S	T									
	32241	32506016				2		C	D		I	J													
	32242	33006016				2			E	F			K	L		U	V	W	X						
17	<b>彈簧墊圈(Spring Washer)</b>																								
	M1605-M8	92501019				8	A	B	C	D	E	F	G	H	I	J	K	L							
	M1605-M8	92501019				4										S	T	U	V	W	X				
18	<b>六角頭螺栓(BOLT)</b>																								
		92520922			2000/10	4									S	T	U	V	W	X	停用(NOT USED)				
	M1424-M8*16	92501014				8	A	B	C	D		G	H	I	J										
	M1424-M8*12				2003/02	4			E	F			K	L		S	T	U	V	W	X				
19	<b>防油襯墊(GASKET)</b>																								
	32243	72506019				2	A	B	C	D		G	H	I	J		S	T							
	32244	73006019A				2			E	F				K	L					X					
	32245	52506019				2										U	V	W							
20	<b>彈簧墊圈(Spring Washer)</b>																								
	M1605-M14	92506020				16	A	B	C	D	E	F	G	H	I	J	K	L		S	T	U	V	W	X
21	<b>六角頭螺栓(BOLT)</b>																								
		92506021			2000/10	16	A	B	C	D	E	F	G	H	I	J	K	L							停用(NOT USED)
	M1423004	92506042			2003/02	16	A	B	C	D	E	F	G	H	I	J	K	L		S	T	U	V	W	X
22	<b>六角螺帽(NUT)</b>																								
		91504026			2000/10	12	A	B					G	H										停用(NOT USED)	
	M1513004	92504026			2003/02	12	A	B					G	H											
	M1513005	92506022				16			C	D	E	F			I	J	K	L						X	
23	<b>固定螺椿(BOLT, WHEEL)</b>																								
	32246	31506023A				12	A	B					G	H											
	32247	32506023				16			C	D	E	F			I	J	K	L						X	
24	<b>前輪軸(DRIVE AXLE)</b>																								
	32248	31506048B				2	A	B					G	H											
	32249	32506024A				2			C	D				I	J										
	32250	33006048B				2			E	F				K	L										

# 前輪軸系統 A302 DRIVE AXLE SYSTEM

前輪軸  
A302-1  
DRIVE AXLE

編號 NO.	零件名稱 PART NAME														機號 BODY NO.	備註 REMARK				
	新碼 NEW PART NO.	舊碼 OLD PART NO.	規格 SPECIFICATION	互換性 I T C	應用日期 APPLIED DATE	數量 Q T Y	FD			FG			FD (C)				FG (C)			
							1	2	3	1	2	3	1	2			3	1	2	3
24	<b>前輪軸(DRIVE AXLE)</b>																			
	32251	51506024				2										ST				
	32252	52506024				2										UVW				
	32253	53506024				2										X				
25	<b>六角頭螺栓(BOLT)</b>																			
		32506049			2000/10	20	A B C D		G H I J											
	32254	32506049A			2003/02	20	A B		G H							ST		停用(NOT USED)		
	32255	33006049				20		E F		K L										
	M1424-M12*40	94010156				16										UVWX				
26	<b>O形環(O-RING)</b>																			
	M0801-G65	92506038				2	A B C D E F		G H I J K L							STUVWX				
27	<b>油封(OIL SEAL)</b>																			
	M0702018	91506050				2	A B		G H							ST				
	M0702019	92506044				2		C D		I J										
	M0702045	93006035				2			E F		K L						X			
	32256	52506006				2										UVW				
28	<b>前輪托架(左)(SUPPORT)(L. H.)</b>																			
	32257	31506037				1	A B		G H											
	32258	32506052A				1		C D		I J										
	32259	33006052				1			E F		K L									
	32260	51506037				1										ST				
	32261	52506037A				1										UVWX				
29	<b>彈簧墊圈(SPRING WASHER)</b>																			
	M1605-M10	92501218				20		C D		I J										
30	<b>六角螺帽(NUT)</b>																			
	M1502001	92504016				20		C D		I J										
31	<b>錐形墊圈(WASHER)</b>																			
	32262	32506025				20		C D		I J										
32	<b>螺栓(BOLT)</b>																			
	32263	32506026				20		C D		I J										
33	<b>O形環(O-RING)</b>																			
	M0801-G145	52506047				2										UVW				
34	<b>六角頭螺栓(BOLT)</b>																			
	M1424-M8*20	92504208				12										UVW				
35	<b>車輪螺栓(BOLT, WHEEL)</b>																			
	32264	51506023A				12										ST				
	32265	52506023				12										UVW				

前輪軸系統  
A302  
DRIVE AXLE SYSTEM

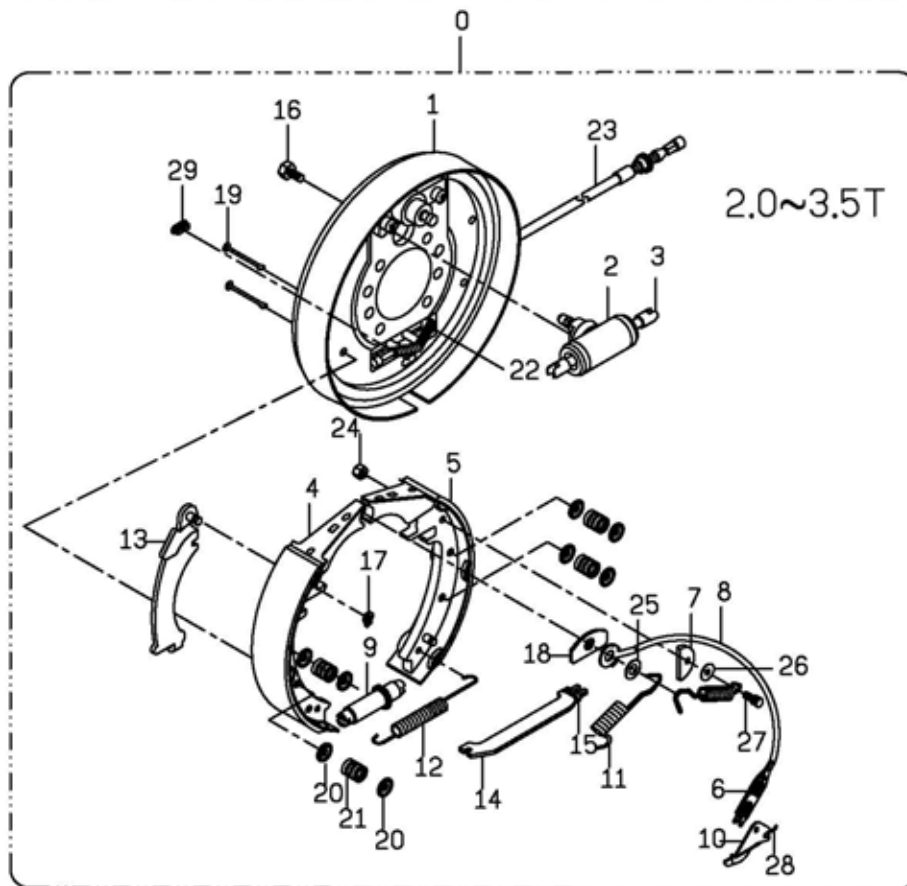
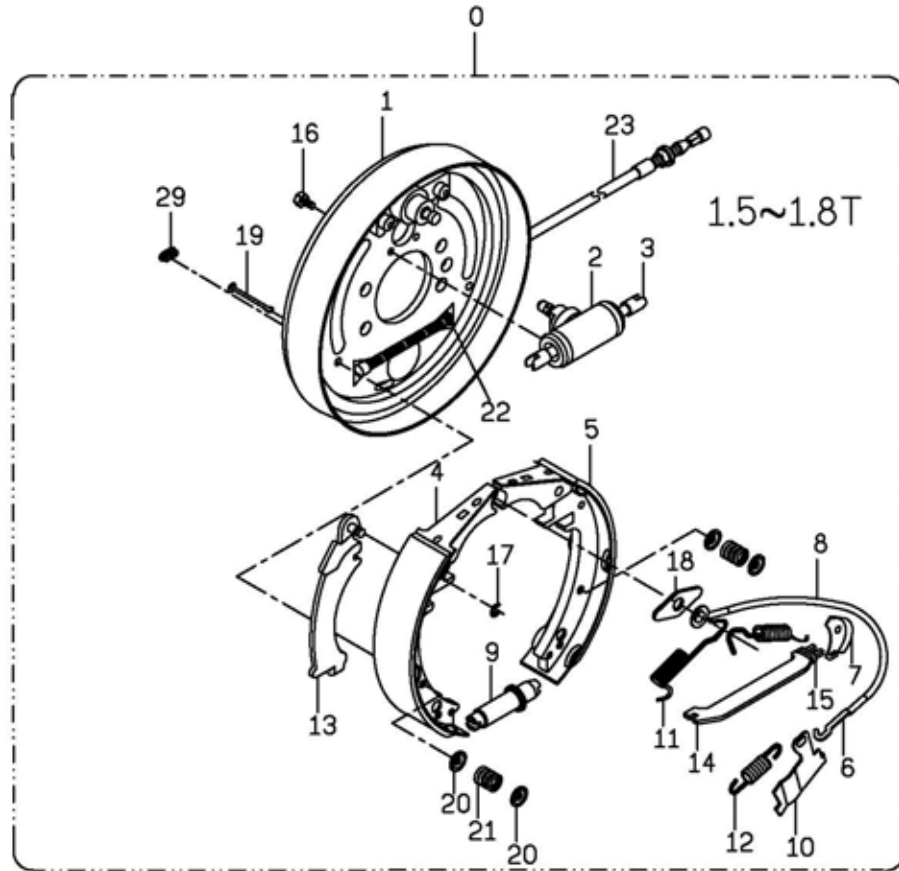
前輪軸  
A302-1  
DRIVE AXLE

編號 NO.	零件名稱 PART NAME														機號 BODY NO.	備註 REMARK								
	新碼 NEW PART NO.	舊碼 OLD PART NO.	規格 SPECIFICATION	互換性 I T C	應用日期 APPLIED DATE	數量 Q T Y	FD			FG			FD (C)				FG (C)							
							1	2	3	1	2	3	1	2			3	1	2	3				
5	8	0	5	5	8	0	5	5	8	0	5	5	8	0	5	8	0							
A	B	C	D	E	F	G	H	I	J	K	L	M	N	O	P	Q	R	S	T	U	V	W	X	
36	<b>黃油嘴(GREASE NIPPLE)</b>																							
	M1321-M10	92503015				2													ST					
37	<b>定位環(RING, FOR SUPPORTING)</b>																							
	32266	52506045				2													UVWX					
38	<b>前輪轂防塵蓋(DUST COVER)</b>																							
	32267	52506010				2													UVW					
39	<b>前輪鋼圈(RIM, FRONT WHEEL)</b>																							
	32268	51506030A				2													ST					
	32269	52506030				2													UV					
	32270	53006030				2													W					
	32271	53506030				2													X					
40	<b>特殊螺帽(NUT)</b>																							
	32272	31506033				12													ST					停用(NOT USED)
	32344	32504021				12													ST					
	32273	52506033				12													UVW					
	32274	32506033				12													X					
41	<b>實心輪胎(CUSHION SOLID TIRE, FRONT WHEEL)</b>																							
	32275	51506021				2													ST					
	32276	52506021				2													UV					
	32277	53006021				2													W					
	32278	53506021				2													X					



前輪軸系統  
A302  
DRIVE AXLE SYSTEM

煞車襯板組  
A302-2  
WHEEL BRAKE ASSY



A302-2-1

前輪軸系統  
A302  
DRIVE AXLE SYSTEM

煞車襯板組

A302-2

WHEEL BRAKE ASSY

編號 NO.	零件名稱 PART NAME														機號 BODY NO.	備註 REMARK										
	新碼 NEW PART NO.	舊碼 OLD PART NO.	規格 SPECIFICATION	互換性 I T C	應用日期 APPLIED DATE	數量 Q T Y	FD			FG			FD (C)				FG (C)									
							1	2	3	1	2	3	1	2			3	1	2	3						
0	<b>煞車襯板總成(右)(WHEEL BRAKE ASSY)(R. H.)</b>																									
	B350032	42506006				1	C	D	E	F	I	J	K	L			U	V	W	X		停用(NOT USED)				
	B350031	41506006				1	A	B			G	H				S	T									
	B350032A				2007/07	1	C	D	E	F	I	J	K	L			U	V	W	X						
0	<b>煞車襯板總成(左)(WHEEL BRAKE ASSY)(L. H.)</b>																									
	B350034	42506039				1	C	D	E	F	I	J	K	L			U	V	W	X		停用(NOT USED)				
	B350033	41506039				1	A	B			G	H				S	T									
	B350034A				2007/07	1	C	D	E	F	I	J	K	L			U	V	W	X						
1	<b>煞車襯板(左)(BACKP-LATE)(L. H.)</b>																									
		71506039				1	A	B			G	H				S	T					停用(NOT USED)				
		72506039				1	C	D	E	F	I	J	K	L			U	V	W	X		停用(NOT USED)				
	32280	72506201				1	C	D	E	F	I	J	K	L			U	V	W	X		停用(NOT USED)				
	32279	71506201				1	A	B			G	H				S	T									
	32280A				2007/07	1	C	D	E	F	I	J	K	L			U	V	W	X						
1	<b>煞車襯板(右)(BACKP-LATE)(R. H.)</b>																									
		71506006				1	A	B			G	H				S	T					停用(NOT USED)				
		72506006				1	C	D	E	F	I	J	K	L			U	V	W	X		停用(NOT USED)				
	32282	72506232				1	C	D	E	F	I	J	K	L			U	V	W	X		停用(NOT USED)				
	32281	71506232				1	A	B			G	H				S	T									
	32282A				2007/07	1	C	D	E	F	I	J	K	L			U	V	W	X						
2	<b>煞車分泵(CYLINDER)</b>																									
	32283	91506102				2	A	B			G	H				S	T									
	32284	92506202				2	C	D	E	F	I	J	K	L			U	V	W	X						
3	<b>頂桿(COCKET)</b>																									
	32285	32506207				4	A	B	C	D	E	F	G	H	I	J	K	L			S	T	U	V	W	X
4	<b>煞車蹄片(前)(SHOE &amp; LINING)(FRONT)</b>																									
	32286	91506128				4	A	B			G	H				S	T									
	32287	92506210				2	C	D	E	F	I	J	K	L			U	V	W	X						
5	<b>煞車蹄片(後-左)(SHOE &amp; LINING)(REAR-L. H.)</b>																									
	32288	92506211				1	C	D	E	F	I	J	K	L			U	V	W	X						
5	<b>煞車蹄片(後-右)(SHOE &amp; LINING)(REAR-R. H.)</b>																									
	32289	92506233				1	C	D	E	F	I	J	K	L			U	V	W	X						
6	<b>裝配彈簧(Spring &amp; Connector)</b>																									
	32290	91506113				2	A	B			G	H				S	T									
	32291	92506213				2	C	D	E	F	I	J	K	L			U	V	W	X						
7	<b>引導板(GUIDE BOARD)</b>																									
	32292	91506241				2	A	B			G	H				S	T									
	32293	92506241				2	C	D	E	F	I	J	K	L			U	V	W	X						

A302-2-2

前輪軸系統  
A302  
DRIVE AXLE SYSTEM

煞車襯板組

A302-2

WHEEL BRAKE ASSY

編號 NO.	零件名稱 PART NAME													機號 BODY NO.	備註 REMARK					
	新碼 NEW PART NO.	舊碼 OLD PART NO.	規格 SPECIFICATION	互換性 I T C	應用日期 APPLIED DATE	數量 Q T Y	FD			FG			FD (C)			FG (C)				
							1	2	3	1	2	3	1			2	3	1	2	3
8	引導桿(GUIDE)																			
	32294	91506212				2	A	B		G	H				S	T				
	32295	92506212				2		C	D	E	F	I	J	K	L		U	V	W	X
9	調整具(左)(ADJUSTER)(L. H.)																			
	32297	92506214				1		C	D	E	F	I	J	K	L		U	V	W	X
	32296	91506114				1	A	B		G	H				T					
	32297A				2007/07	1		C	D	E	F	I	J	K	L		U	V	W	X
9	調整具(右)(ADJUSTER)(R. H.)																			
	32299	92506234				1		C	D	E	F	I	J	K	L		U	V	W	X
	32298	91506134				1	A	B		G	H				T					
	32299A				2007/07	1		C	D	E	F	I	J	K	L		U	V	W	X
10	引動板(左)(LEVER)(L. H.)																			
	32300	91506115				1	A	B		G	H				T					
	32301	92506215				1		C	D	E	F	I	J	K	L		U	V	W	X
10	引動板(右)(LEVER)(R. H.)																			
	32302	91506135				1	A	B		G	H				T					
	32303	92506235				1		C	D	E	F	I	J	K	L		U	V	W	X
11	彈簧(左)(SPRING)(L. H.)																			
	32304	91506117				2	A	B		G	H				T					
	32305	92506217				2		C	D	E	F	I	J	K	L		U	V	W	X
11	彈簧(右)(SPRING)(R. H.)																			
	32306	91506237				2	A	B		G	H				T					
	32307	92506237				2		C	D	E	F	I	J	K	L		U	V	W	X
12	彈簧(SPRING)																			
	32308	91506118				2	A	B		G	H				T					
	32309	92506218				2		C	D	E	F	I	J	K	L		U	V	W	X
13	調整板(左)(LEVER)(L. H.)																			
	32310	91506119				1	A	B		G	H				T					
	32311	92506219				1		C	D	E	F	I	J	K	L		U	V	W	X
13	調整板(右)(LEVER)(R. H.)																			
	32312	91506138				1	A	B		G	H				T					
	32313	92506238				1		C	D	E	F	I	J	K	L		U	V	W	X
14	支桿(左)(STRUT)(L. H.)																			
	32314	91506120				1	A	B		G	H				T					
	32315	92506220				1		C	D	E	F	I	J	K	L		U	V	W	X
14	支桿(右)(STRUT)(R. H.)																			
	32316	91506139				1	A	B		G	H				T					
	32317	92506239				1		C	D	E	F	I	J	K	L		U	V	W	X

前輪軸系統  
A302  
DRIVE AXLE SYSTEM

煞車襯板組

A302-2

WHEEL BRAKE ASSY

編號 NO.	零件名稱 PART NAME														機號 BODY NO.	備註 REMARK									
	新碼 NEW PART NO.	舊碼 OLD PART NO.	規格 SPECIFICATION	互換性 I T C	應用日期 APPLIED DATE	數量 Q T Y	FD			FG			FD (C)				FG (C)								
							1	2	3	1	2	3	1	2			3	1	2	3					
15	彈簧 (SPRING)																								
	32318	92506250				2	A	B		G	H				S	T									
	32319	92506221				2		C	D	E	F	I	J	K	L		U	V	W	X					
16	螺栓 (BOLT)																								
	32320	92561010				4	A	B		G	H				S	T									
16	六角頭螺栓 (BOLT)																								
	M1424-M8*20	92504208				4		C	D	E	F	I	J	K	L		U	V	W	X					
17	扣環 (SNAP RING)																								
	32321	92506125				2	A	B		G	H				S	T									
	32322	92506224				2		C	D	E	F	I	J	K	L		U	V	W	X					
18	墊板 (PLATE)																								
	32323	92506122				2	A	B		G	H				S	T									
	32324	92506225				2		C	D	E	F	I	J	K	L		U	V	W	X					
19	銷 (PIN)																								
	32325	92506113				4	A	B		G	H				S	T									
	32326	92506226				8		C	D	E	F	I	J	K	L		U	V	W	X					
20	蓋 (COVER)																								
	32327	92506227				8	A	B	C	D	E	F	G	H	I	J	K	L		S	T	U	V	W	X
21	彈簧 (SPRING)																								
	32328	92506228				4	A	B	C	D	E	F	G	H	I	J	K	L		S	T	U	V	W	X
22	E形扣環 (E-RING)																								
	32329	92506230				2	A	B	C	D	E	F	G	H	I	J	K	L		S	T	U	V	W	X
	32330	92512120				1	A	B		G	H				S	T									
	32331A			2008/09		1		C	D	E	F	I	J	K	L		U	V	W	X					
23	手煞車線(左)(PARKING CABLE)(L. H.)																								
	32331	92512128A				1		C	D	E	F	I	J	K	L		U	V	W	X	停用 (NOT USED)				
23	手煞車線(右)(PARKING CABLE)(R. H.)																								
	32333	92512129A				1		C	D	E	F	I	J	K	L		U	V	W	X	停用 (NOT USED)				
	32332	92512121				1	A	B		G	H				S	T									
	32333A			2008/09		1		C	D	E	F	I	J	K	L		U	V	W	X					
24	六角螺帽 (NUT)																								
	32334	92506242				1		C	D	E	F	I	J	K	L										
25	平墊圈 (WASHER)																								
	32335	92506243				1		C	D	E	F	I	J	K	L										
26	平墊圈 (WASHER)																								
	32336	92506244				1		C	D	E	F	I	J	K	L										
27	螺栓 (BOLT)																								
	32337	92506245				1		C	D	E	F	I	J	K	L										