



台勵福

PARTS LIST

零件手冊

FB 15/18/20/25/30

FB 15C/18C/20C/25C



台勵福7L系列電動堆高機

Tailift 7L Series Electric Forklift Trucks

TAILIFT CO., LTD.

DEC039/06 2012

零件手冊使用說明

INTRODUCTION

- 一. 本零件手冊適用於台勵福(股)公司所生產7L系列之FB15~30、FB15C~25C 電動堆高機。
編制如下：系統索引、組件索引、編號、新碼、舊碼、規格、零件名稱、互換性、應用日期、數量、適用機型、機號等，以使用戶做為識別及維修或更換零件時之參考依據。
 - I . This part manual is Tailift Company Electric Forklift Trucks of Model 7L Series FB15~30 ton FB15C~25C ton . It is categorized as Index No., ASSY No., Part No., Old Part No., Specification, Part name, interchangeability, date of applied, quantity, suitable Model and series number ...etc. These references are relating to identify, repair and change forklift's part information for customer.
- 二. 用戶欲訂購或更換零(組)件時，請務必詳細說明以下各項明細：
 - 1.堆高機之機種型式、編號及製造日期。
 - 2.零(組)件之零件號碼及詳細名稱、數量。
 - 3.交貨之相關需求、交貨方式及交貨地點。
 - II . As placing for parts order and change. Please specify details of the following items.
 - 1.Forklift model, serial number and date of manufacture.
 - 2.Parts number, name and quantity.
 - 3.Delivery requirements, ways and location.
- 三. 用戶欲訂購或更換零(組)件時，請務必使用《台勵福之原廠零件》。若非使用《台勵福之原廠零件》做為更換或維修之用，則其機器發生故障時，將不在台勵福(股)公司之品質保證範圍內。
 - III . Be sure to use <Tailift genuine parts> when purchasing or repairing parts. If non- <Tailift genuine parts> are used for repair or maintenance. When the forklift failure will not be under our quality warranty.

四. 本手冊為最新版『零件手冊』，其中包含所有已設變、增修、刪改之零件手冊內容及說明。

IV. This latest part manual is including with all of renewing information and explanation.

五. 舊版零件手冊已不適用於目前台勵福工業(股)公司所生產之各系列堆高機，故不再使用所有舊版零件手冊做為參考依據。

V. The old part manual is out of using reference that cannot supply any new model forklifts by Tailift products.

六. 本手冊依據中華民國101年01月後出廠編制，日後產品結構及相關零(組)件，若有設變修改時，本手冊將再版補充。

VI. This part manual is applied for models manufacture after January 2012. If there have any modification, we will issue a new edition.

七. 編制者經歷有限，手冊內容雖經再三校對，但疏漏繆誤之處在所難免，敬祈諸位同業先進不吝指正，俾再版時得以修訂，不勝感幸！

VII. Due to, my limited experience, thought had revised repeatedly, I am afraid that might still have some errors exist. Therefore, I would really glad to get any advice and correction when you find any errors. Please don't inhibit contact with us.

八. 查詢正確的零件號碼、名稱.....等

VIII. Searching correct part number and name ...etc.

A: 查詢零件號碼(當已知零件名稱、外觀、使用位置等)

A: Searching part number

(When the name, shape and location of using are known.)

準備適用於『待查詢零件』之零件手冊及該項零件
樣品

Preparing the part sample, which you would like
to know and then see "Part manual".



找出相關之機構系統圖或零件明細頁
Find out related page by illustration index or
table of contents.



確認零件樣品是否與機構系統圖上相符
I identify shape of part is the same as related
page or not.



找出『待查詢零件』在機構系統圖上之相關裝配位
置及所使用之編號

Find out the location of part installed picture
and gives item No.



將機構系統圖上所使用之編號對照零件明細頁即可
看到待查詢之零件號碼

Confirm serial No. in the machine drawing and
know part number.

B: 查詢零件名稱、外觀、使用位置等(當已知零件號碼)
B: Searching part name, shape and location of using
(When the part number is known.)

翻至零件號碼索引頁即可得知頁次
Check the index of part number and turn it
back to manual corrected page.



找出此零件號碼之相關機構系統圖或零件明細頁
Find out the part number page and related
pictures.



確認零件手冊上之零件號碼即可知零件名稱及使用
數量或適用機型
Confirm part No. in the part list and gain part
name, quantity of using and applied model.



將零件明細頁上之零件編號對照機構系統圖上所使
用之編號即可知零件外觀及使用位置
Confirm part No. in the installed picture and
gain part shape and location.

九. 正確的使用零件明細(表)頁

IX. How to use parts list.

輪胎組

前輪軸系統

A332-5

A332

TIRE ASSY B

DRIVE AXLE SYSTEM A

編號 NO.	零件名稱 PART NAME C										FB				FB [C]		機號 BODY NO.	備註 REMARK
	新碼 NEW PART NO.	舊碼 OLD PART NO.	規格 SPECIFICATION	正 換 件 代 碼 T C	應用日期 APPLIED DATE	數 量 Q T Y	1	1	2	2	3	1	1	2	2			
							5	8	0	5	0	5	8	0	5			
A	B	C	D	E	F	G	H	I										

D E F G H I J K L M

註解A：機構名稱。

Note A : Mechanism name.

註解B：組件名稱。

Note B : Part unit.

註解C：各零(組)件之名稱。

Note C : Part name.

註解D：機構系統圖上所使用之編號。

Note D : Serial No. In machine drawing.

註解E：新零件號碼。

Note E : New Part NO.

註解F：舊零件號碼。新、舊碼可互相對照，但客戶需以新零件號碼為基準。

Note F : Old part NO. Old part number can be contrast with the new part number. Please use new part number list for standard.

註解G：市購件規格。

Note G : Specification.

註解H：新、舊零件可互換性。

Note H : Old and new part is changeable.

註解I：此零件啟用日期。

Note I : Applied date.

註解J：各單元機構所需使用之數量(皆以一台份計之)。

Note J : Quantity.

註解K：各零(組)件之適用機型。

Note K : Part for applicable model.

註解L：啟用車台號碼。

Note L : Body No.

註解M：備註。

Note M : Remark.

機構排序

MECHANISM ORDER

順序 I	大機構 SYSTEM	小機構 ASSY
A331	變速箱系統 TRANSMISSION SYSTEM	A331-3傳動齒輪箱 TRANSMISSION GEAR BOX
		A331-4差速器組立 DIFFERENTIAL ASSEMBLY
A332	前輪軸系統 DRIVE AXLE SYSTEM	A332-3前輪傳動軸 WHEEL DRIVE AXLE
		A332-4煞車襯板組 WHEEL BRAKE ASSY
		A332-5輪胎組 TIRE ASSY
A333	轉向系統 STEERING SYSTEM	A333-4後輪樑組 STEERING AXLE ASSY
		A333-5轉向油壓缸組 STEERING CYLINDER ASSY
		A333-6懸吊組 STEERING WHEEL ASSY
		A333-7油壓方向機 POWER STEERING
A334	控制器系統 CONTROLLER SYSTEM	A334-3控制器 CONTROLLER (GE DC) 停用(NOT USED)
		A334-3A控制器 CONTROLLER (SEVCON DC) 停用(NOT USED)
		A334-3B控制器 CONTROLLER (SME AC)
		A334-4馬達與泵浦 MOTOR & PUMP (GE DC) 停用(NOT USED)
		A334-4A馬達與泵浦 MOTOR & PUMP (SEVCON DC) 停用(NOT USED)
		A334-4B馬達與泵浦 MOTOR & PUMP (SME AC)
		A334-5電路系統 ELECTRICAL SYSTEM (GE DC & SEVCON DC) 停用(NOT USED)
		A334-5A電路系統 ELECTRICAL SYSTEM (SME AC)
A335	車身配件系統 CHASSIS FITTING SYSTEM	A335-5車身與配件組 CAR BODY & FITTING (GE DC & SEVCON DC) 停用(NOT USED)
		A335-5A車身與配件組 CAR BODY & FITTING (SME AC)
		A335-5B車身與配件組-內充式 CAR BODY & FITTING-EMBEDDED (SME AC)

機構排序

MECHANISM ORDER

順序 I	大機構 SYSTEM	小機構 ASSY
A335	車身配件系統 CHASSIS FITTING SYSTEM	A335-6電池箱蓋與配重組 BATTERY HOOD & COUNTERWEIGHT
		A335-6A電池箱蓋與配重組-內充式 BATTERY HOOD & COUNTERWEIGHT-EMBEDDED
		A335-7駕駛座椅組 DRIVER SEAT ASSY
		A335-8加速器連桿組 停用(NOT USED) ACCELERATOR LEVER ASSY (GE DC & SEVCON DC)
		A335-8A加速器連桿組 ACCELERATOR LEVER ASSY (SME AC)
A336	煞車系統 BRAKE SYSTEM	A336-3手煞車組 PARKING BRAKE ASSY
		A336-4腳煞車組 FOOT-PARKING BRAKE ASSY
A337	操縱系統 CONTROL SYSTEM	A337-3轉向系統 停用(NOT USED) STEERING SYSTEM
		A337-3A電子式自排排檔開關組 (AT)ELECTRIC SHIFT LEVER SWITCH ASSY
		A337-4操作桿組 OPERATION LEVER ASSY
A338	升降系統 MAST SYSTEM	A338-8二截式桅桿配件組 MAST FITTING (DUPLEX)
		A338-8A二截式貨櫃型桅桿配件組 MAST FITTING (FULL FREE)
		A338-8B三截式桅桿配件組 MAST FITTING (TRIPLEX)
		A338-9滑軌組 MAST ASSY
		A338-10傾斜缸組 TILT CYLINDER ASSY
		A338-11二.三截式升降缸組(右) LIFT CYLINDER (DUPLEX & TRIPLEX)(R.H.)
		A338-11A二.三截式升降缸組(左) LIFT CYLINDER (DUPLEX & TRIPLEX)(L.H.)
		A338-11B二.三截式貨櫃型油壓缸組 LIFT CYLINDER (FULL FREE & TRIPLEX)
		A338-11C二截式貨櫃型升降缸組(右) LIFT CYLINDER (FULL FREE)(R.H.)
A338-11D二截式貨櫃型升降缸組(左) LIFT CYLINDER (FULL FREE)(L.H.)		

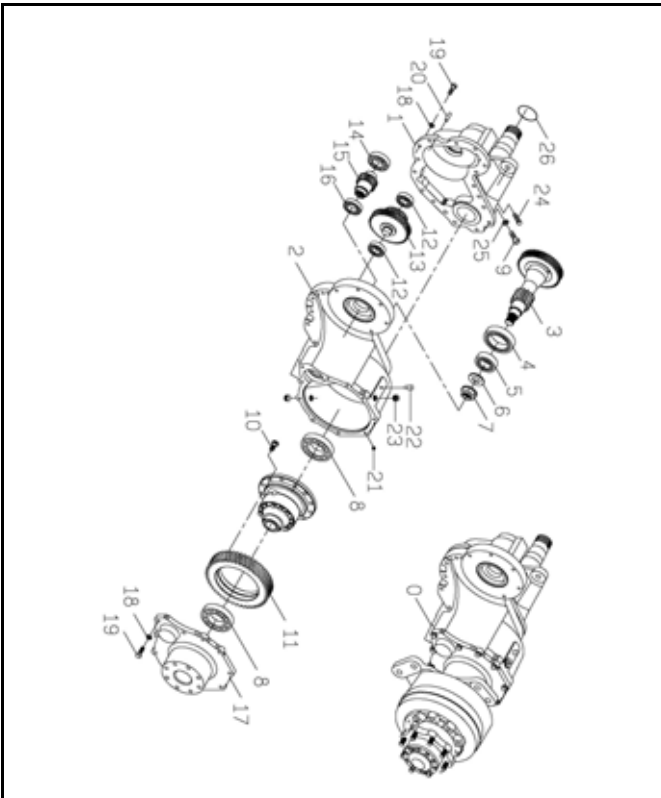
機構排序

MECHANISM ORDER

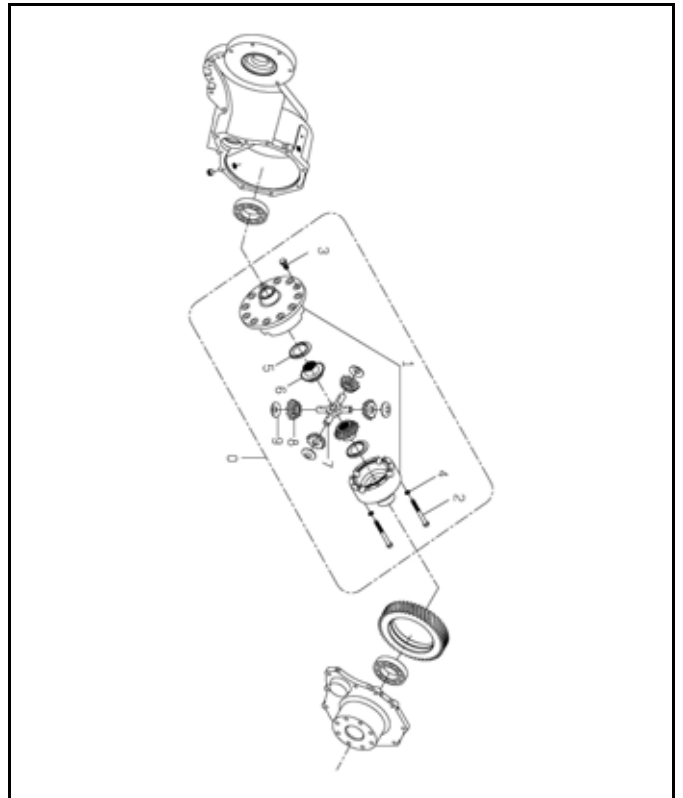
順序 I	大機構 SYSTEM	小機構 ASSY
A338	升降系統 MAST SYSTEM	A338-12二截式升降缸配管組 LIFT CYLINDER FITTING (DUPLEX)
		A338-12A二截式貨櫃型升降缸配管組 LIFT CYLINDER FITTING (FULL FREE)
		A338-12B三截式升降缸配管組 LIFT CYLINDER FITTING (TRIPLEX)
		A338-13二截式貨叉架組 LIFT BRACKET (DUPLEX)
		A338-13A二.三截式貨櫃型貨叉架組 LIFT BRACKET (FULL FREE & TRIPLEX)
		A338-14油壓管路組 HYDRAULIC PIPE ASSY
		A339
		A339-5工具箱組 TOOLS BOX ASSY
		A339-6銘牌與貼紙 PLATE & STICKER
A340	選配配件系統 OPTIONAL ACCESSORY SYSTEM	A340-3側移組 SIDE SHIFT ASSY
		A340-4二截式側移配管組 HOSE & ROLL FOR SIDE SHIFT (DUPLEX)
		A340-4A二截式貨櫃型側移配管組 HOSE & ROLL FOR SIDE SHIFT (FULL FREE)
		A340-4B三截式側移配管組 HOSE & ROLL FOR SIDE SHIFT (TRIPLEX)
		A340-4C二截式四排配管組 HOSE & ROLL OF FOUR-ROW (DUPLEX)
		A340-4D二截式貨櫃型四排配管組 HOSE & ROLL OF FOUR-ROW (FULL FREE)
		A340-4E三截式四排配管組 HOSE & ROLL OF FOUR-ROW (TRIPLEX)
A341	修理包系統 REPAIR KIT SYSTEM	A341-2修理包總覽 REPAIR KIT OVERALL

圖解索引
ILLUSTRATION INDEX

變速箱系統 A331 TRANSMISSION SYSTEM



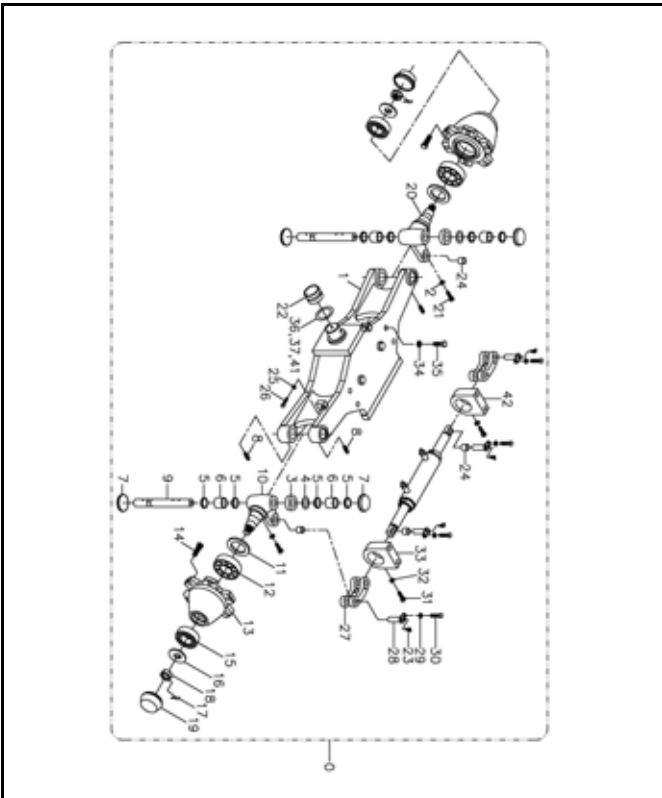
傳動齒輪箱
A331-3
TRANSMISSION GEAR BOX



差速器組立
A331-4
DIFFERENTIAL ASSEMBLY

圖解索引
ILLUSTRATION INDEX

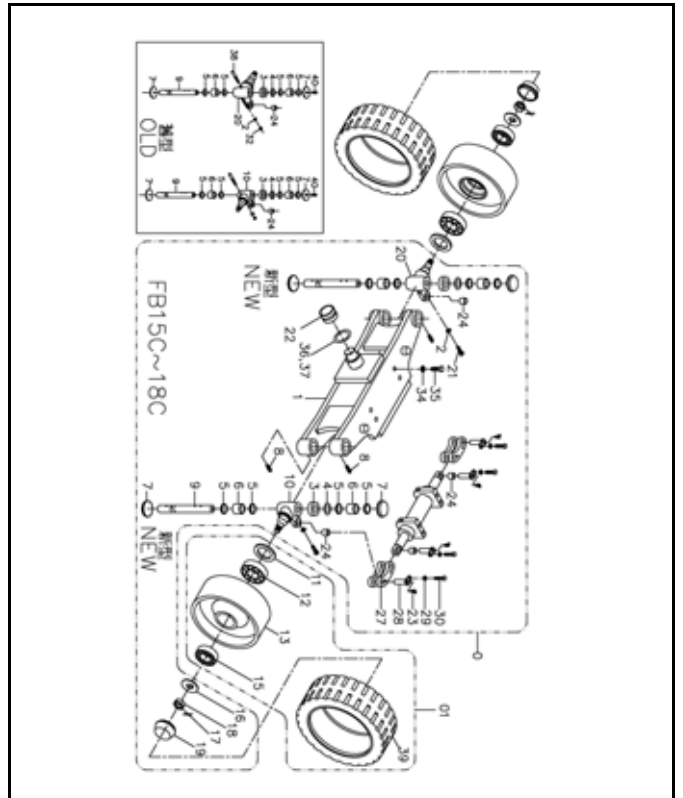
轉向系統 A333 STEERING SYSTEM



後輪樑組

A333-4

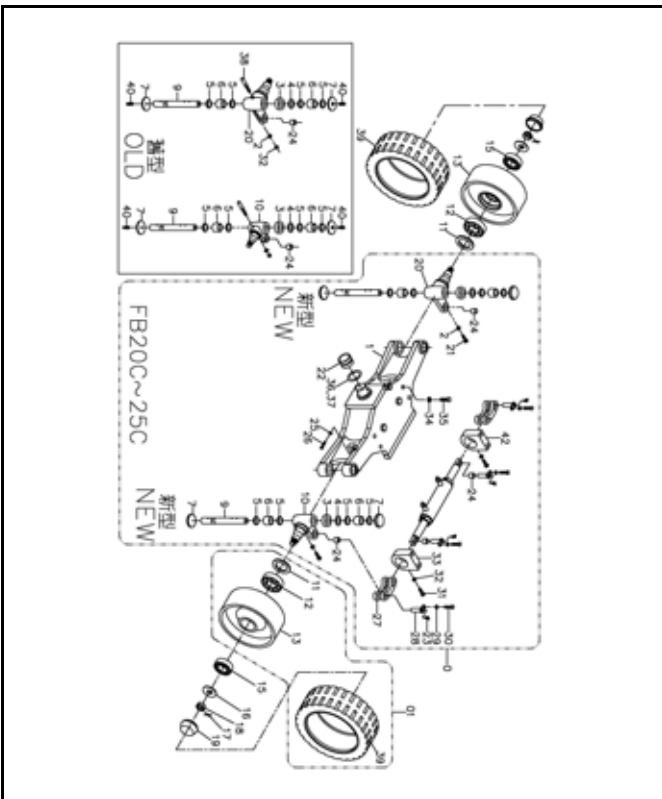
STEERING AXLE ASSY



後輪樑組

A333-4

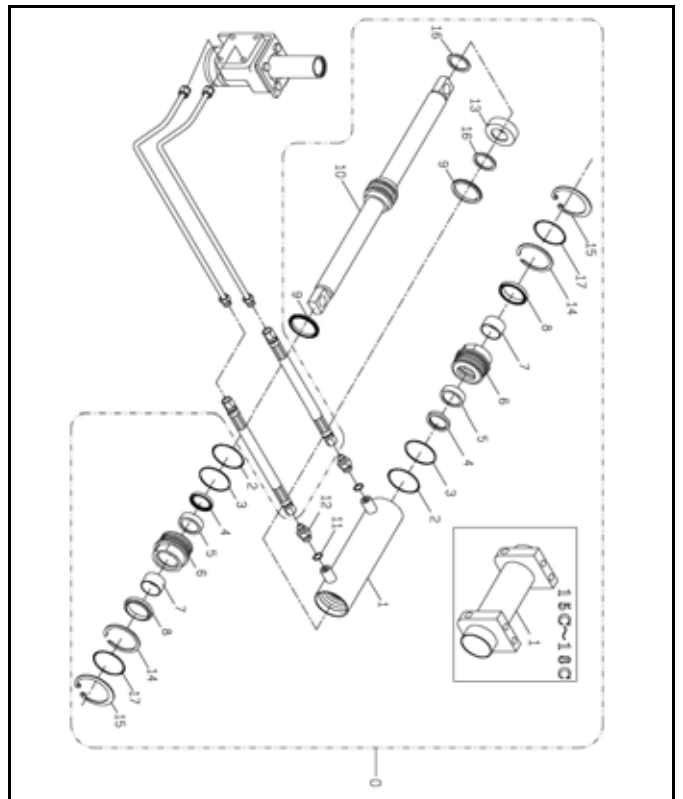
STEERING AXLE ASSY



後輪樑組

A333-4

STEERING AXLE ASSY



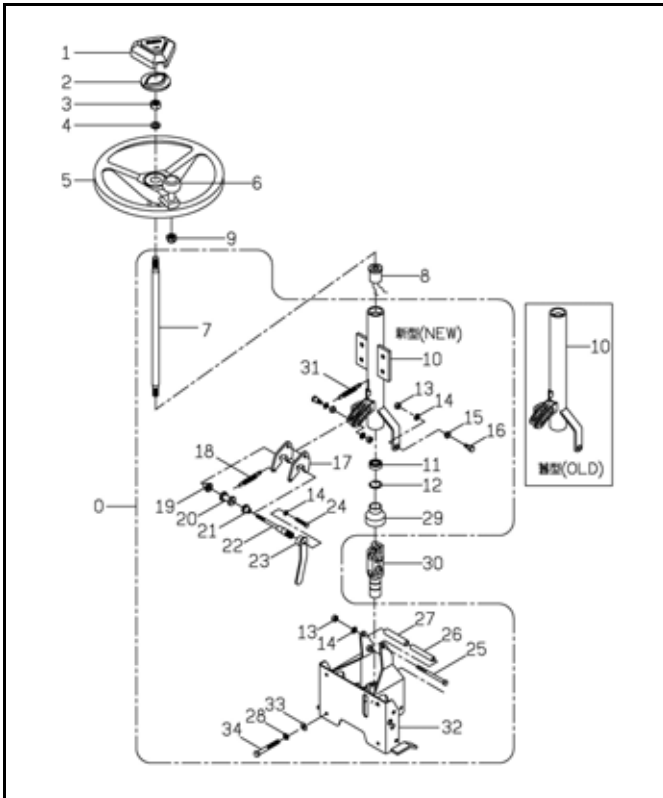
轉向油壓缸組

A333-5

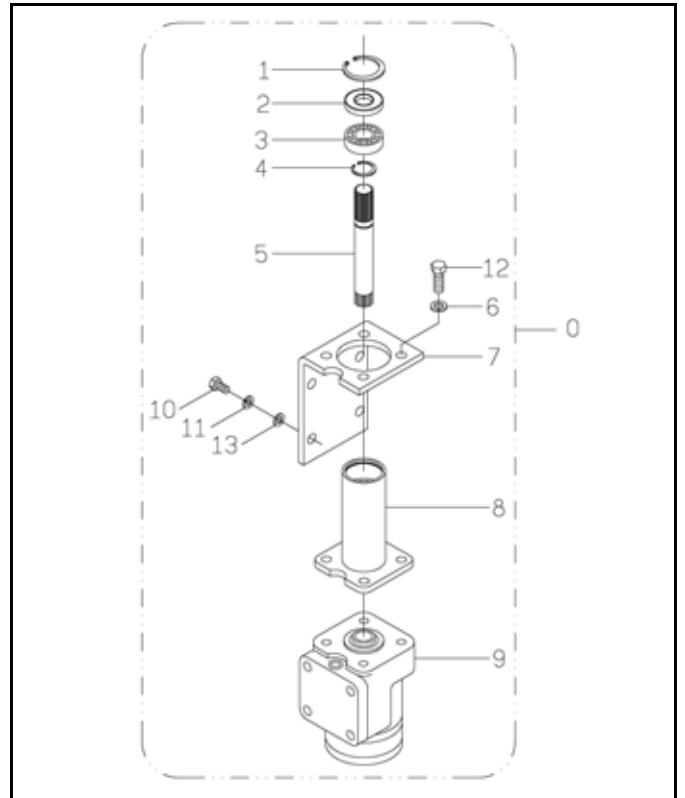
STEERING CYLINDER ASSY

圖解索引
ILLUSTRATION INDEX

轉向系統 A333 STEERING SYSTEM



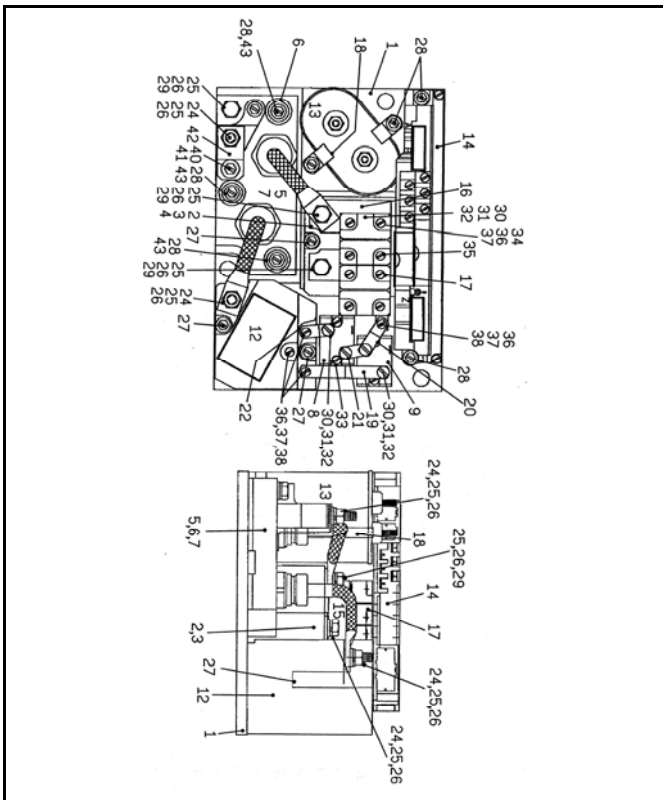
懸吊組
A333-6
STEERING WHEEL ASSY



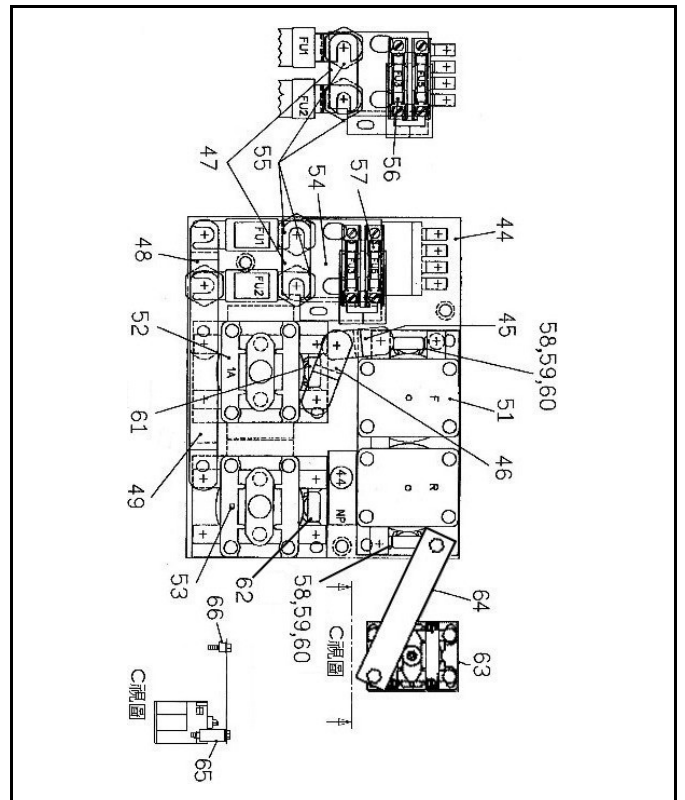
油壓方向機
A333-7
POWER STEERING

圖解索引
ILLUSTRATION INDEX

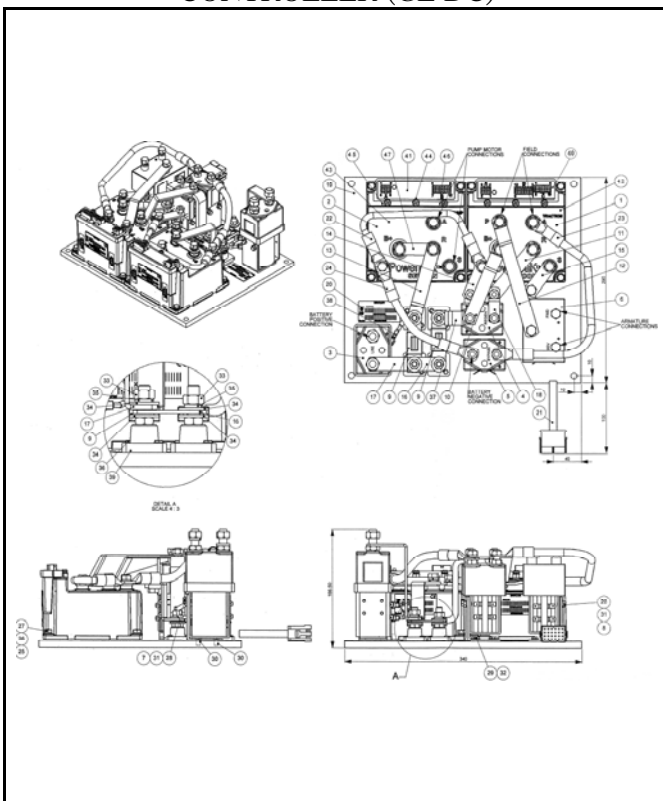
控制器系統 A334 CONTROLLER SYSTEM



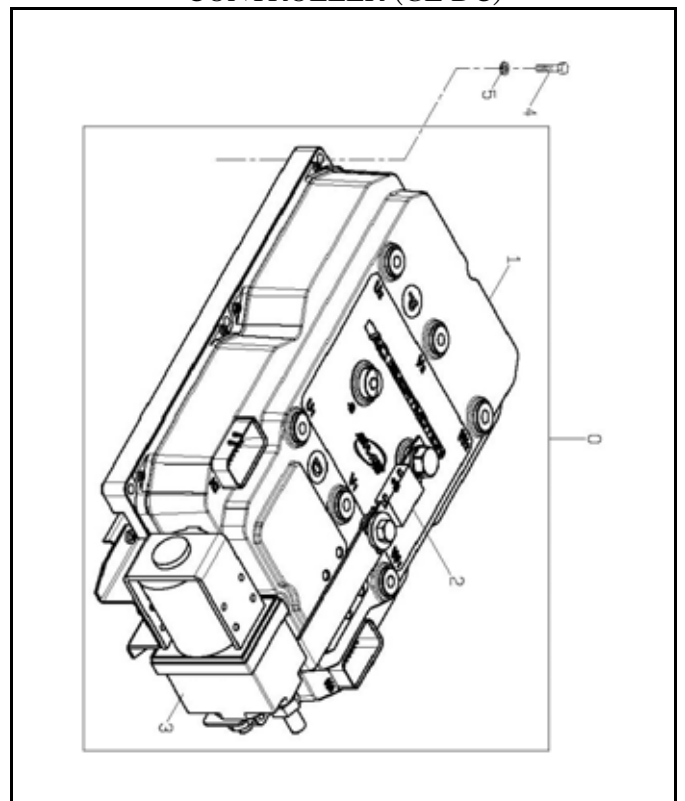
控制器
A334-3 停用(NOT USED)
CONTROLLER (GE DC)



控制器
A334-3 停用(NOT USED)
CONTROLLER (GE DC)



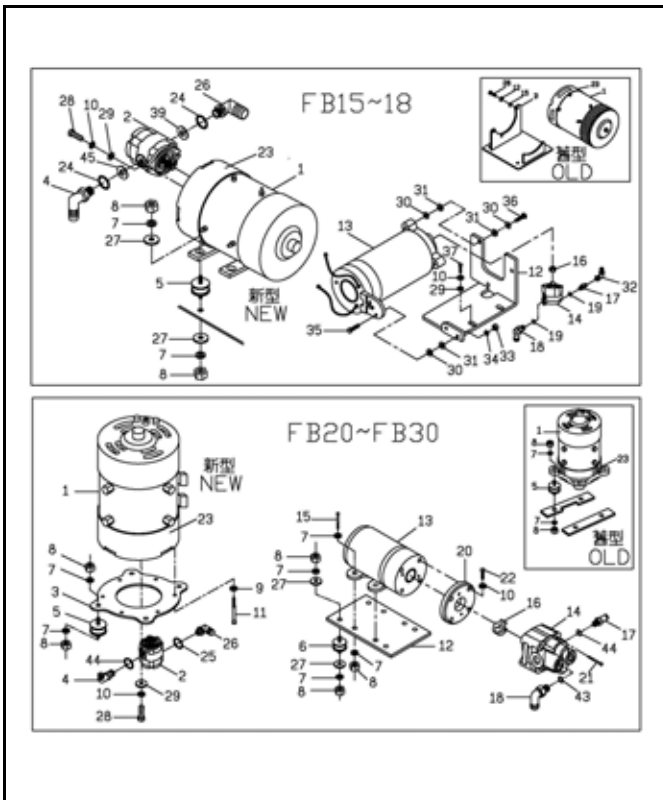
控制器
A334-3A 停用(NOT USED)
CONTROLLER (SEVCON DC)



控制器
A334-3B
CONTROLLER (SME AC)

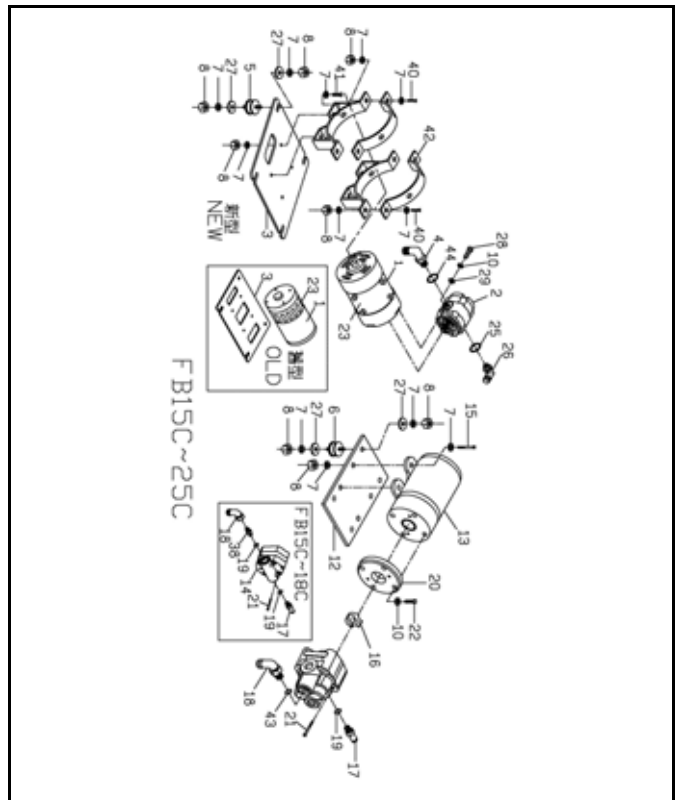
圖解索引
ILLUSTRATION INDEX

控制器系統 A334 CONTROLLER SYSTEM



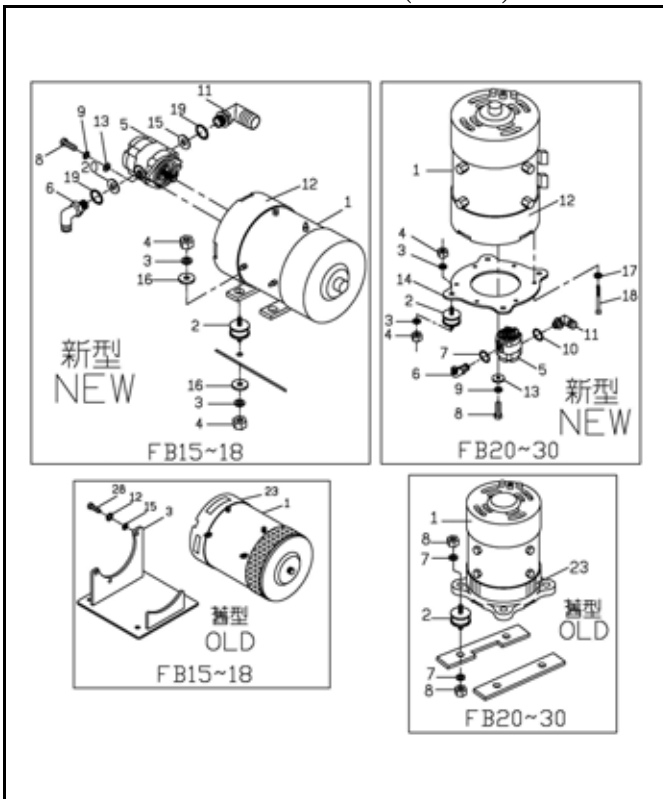
馬達與泵浦

A334-4 停用(NOT USED)
MOTOR & PUMP (GE DC)



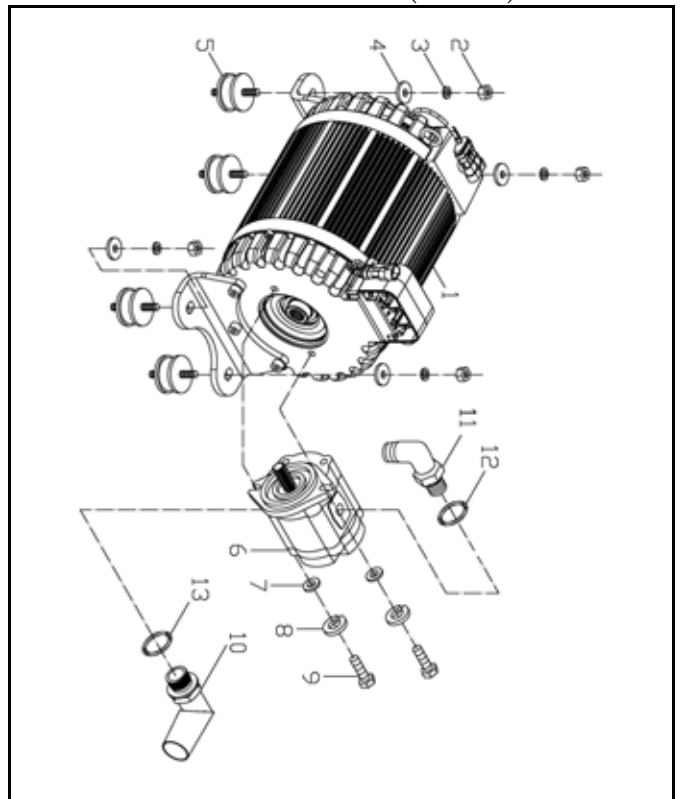
馬達與泵浦

A334-4 停用(NOT USED)
MOTOR & PUMP (GE DC)



馬達與泵浦

A334-4A 停用(NOT USED)
MOTOR & PUMP (SEVCON DC)



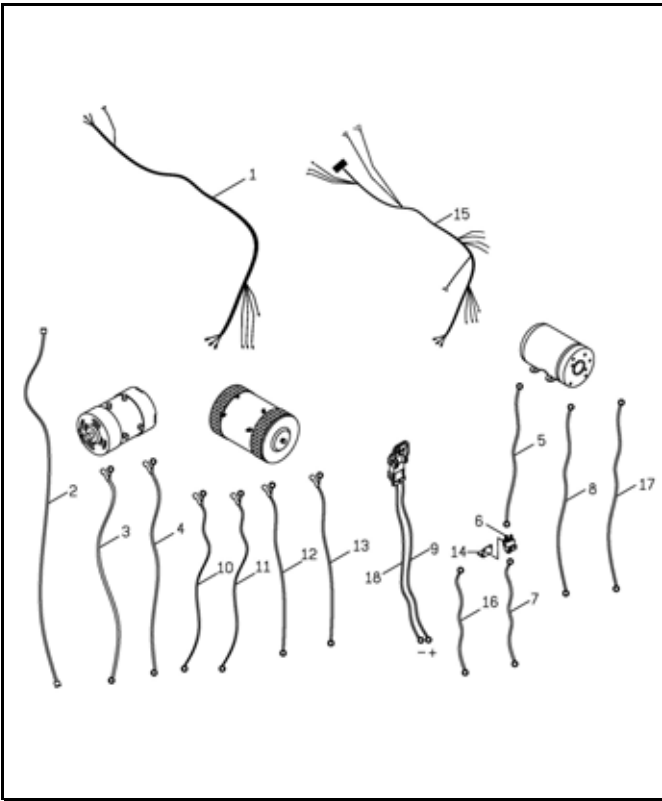
馬達與泵浦

A334-4B
MOTOR & PUMP (SME AC)

圖解索引

ILLUSTRATION INDEX

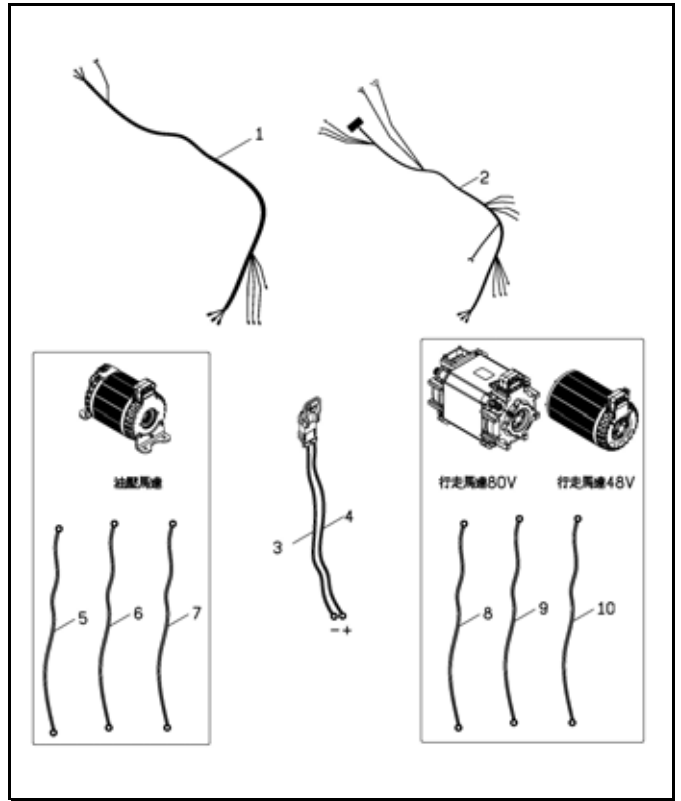
控制器系統 A334 CONTROLLER SYSTEM



電路系統

A334-5 停用(NOT USED)

ELECTRICAL SYSTEM (GE DC & SEVCON DC)



電路系統

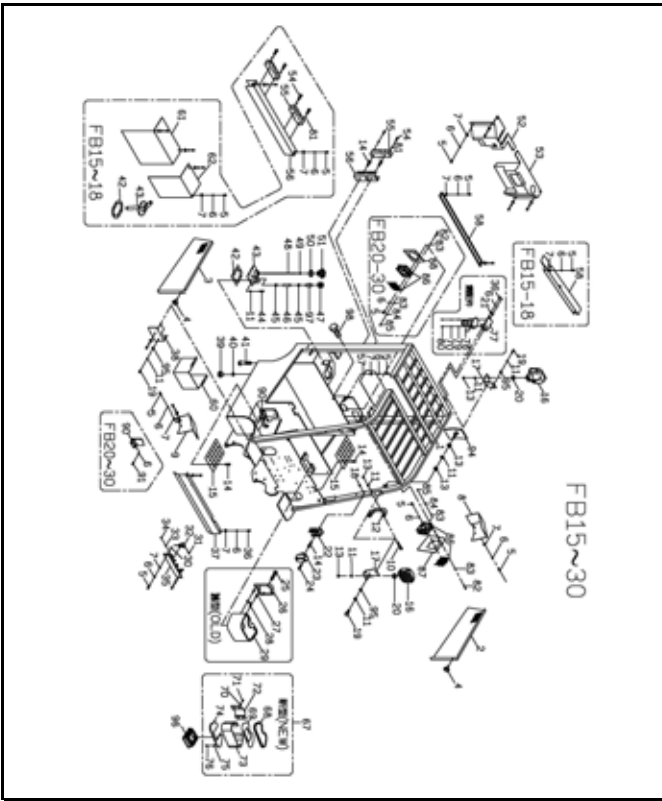
A334-5A

ELECTRICAL SYSTEM (SME AC)

圖解索引

ILLUSTRATION INDEX

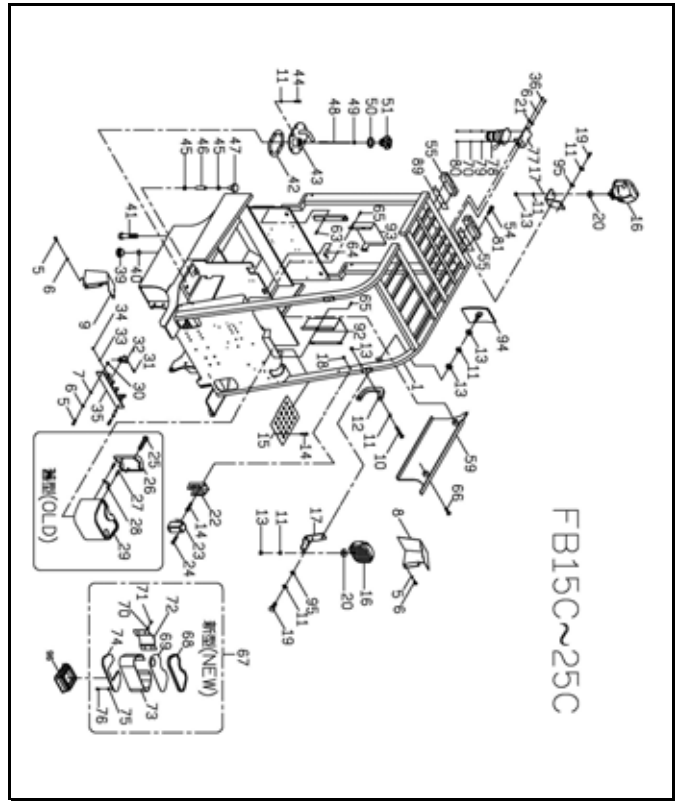
車身配件系統 A335 CHASSIS FITTING SYSTEM



車身與配件組

A335-5 停用(NOT USED)

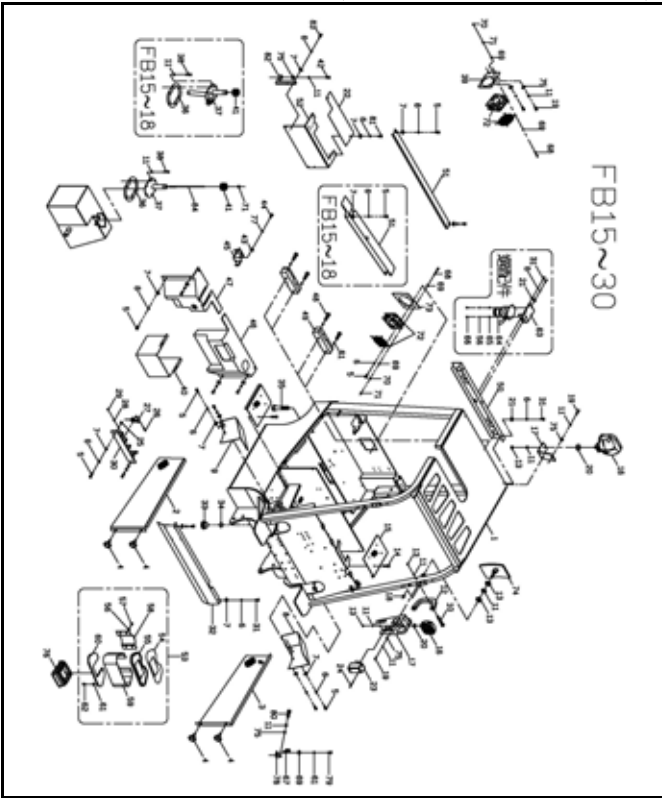
CAR BODY & FITTING (GE DC & SEVCON DC)



車身與配件組

A335-5 停用(NOT USED)

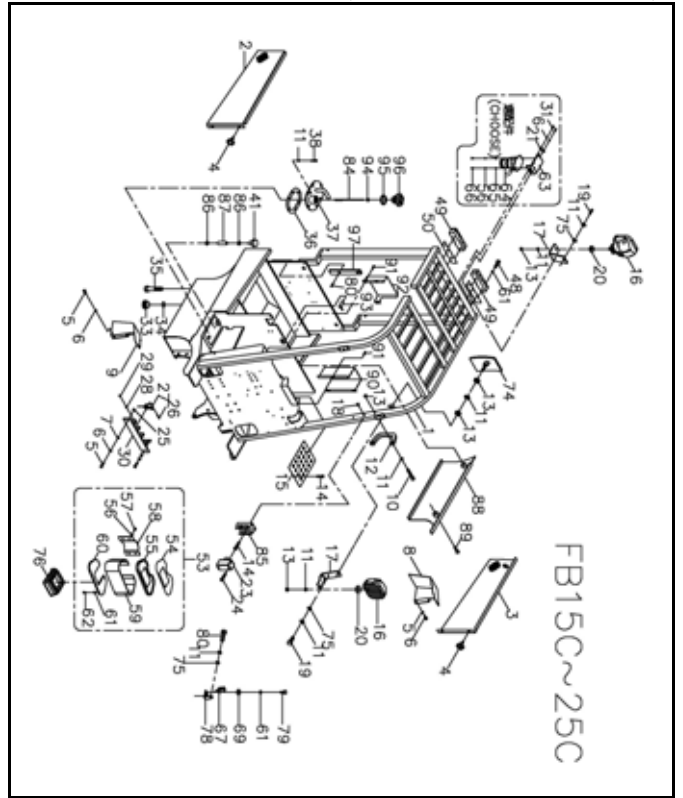
CAR BODY & FITTING (GE DC & SEVCON DC)



車身與配件組

A335-5A

CAR BODY & FITTING (SME AC)



車身與配件組

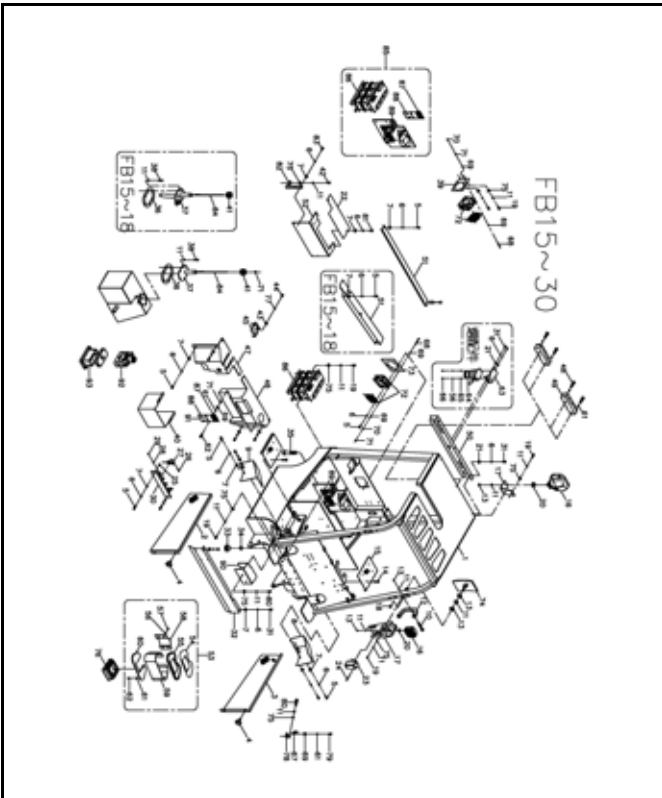
A335-5A

CAR BODY & FITTING (SME AC)

圖解索引

ILLUSTRATION INDEX

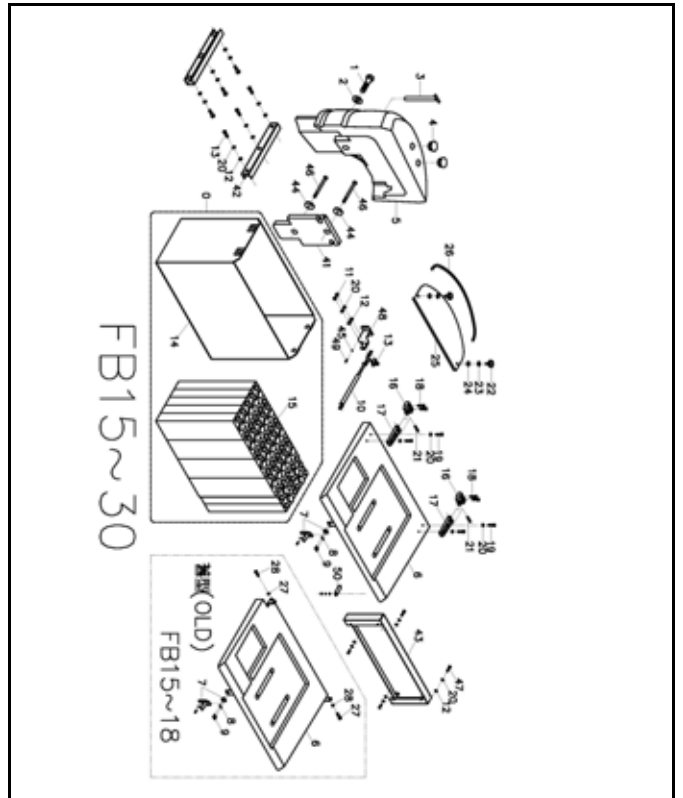
車身配件系統 A335 CHASSIS FITTING SYSTEM



車身與配件組-內充式

A335-5B

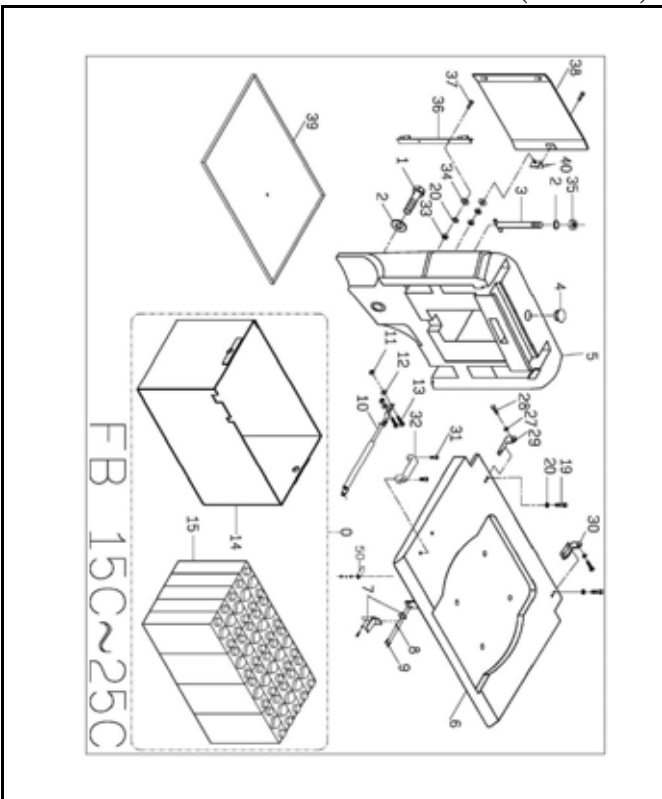
CAR BODY & FITTING-EMBEDDED (SME AC)



電池箱蓋與配重組

A335-6

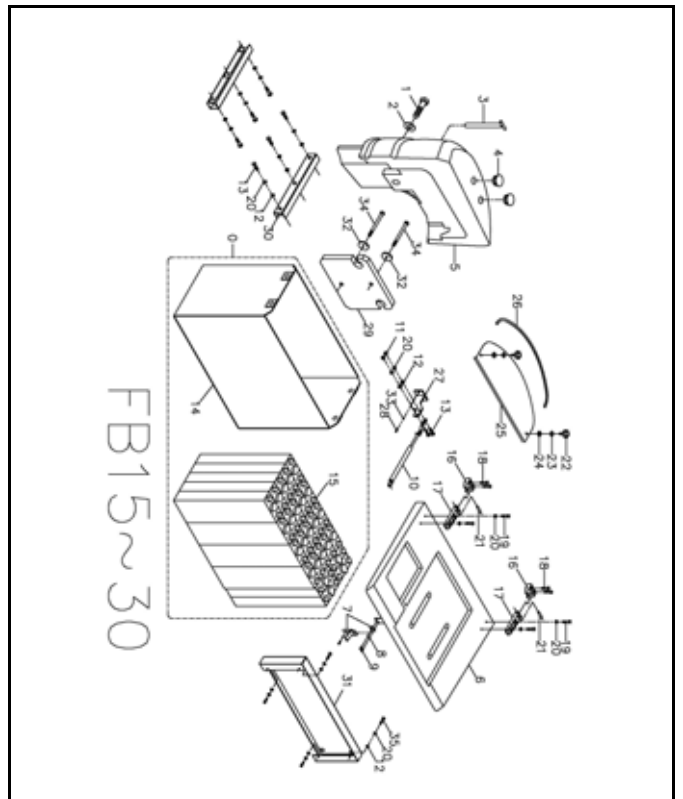
BATTERY HOOD & COUNTERWEIGHT



電池箱蓋與配重組

A335-6

BATTERY HOOD & COUNTERWEIGHT



電池箱蓋與配重組-內充式

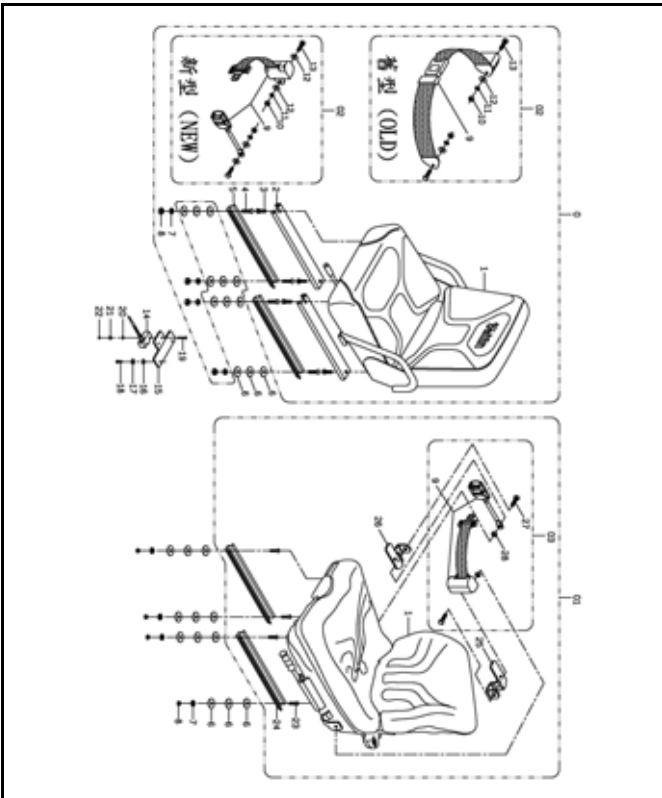
A335-6A

BATTERY HOOD & COUNTERWEIGHT-EMBEDDED

圖解索引

ILLUSTRATION INDEX

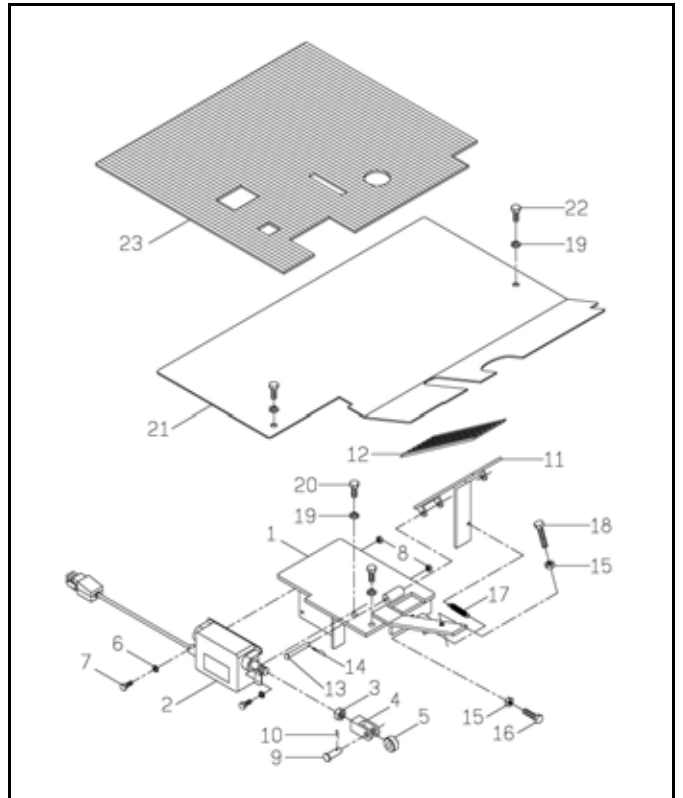
車身配件系統 A335 CHASSIS FITTING SYSTEM



駕駛座椅組

A335-7

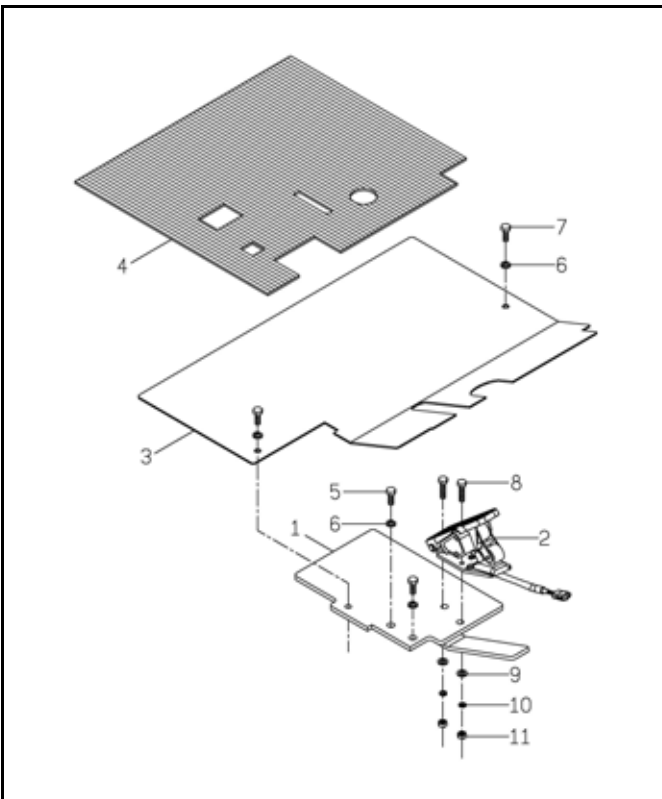
DRIVER SEAT ASSY



加速器連桿組

A335-8 停用(NOT USED)

ACCELERATOR LEVER ASSY (GE DC & SEVCON DC)



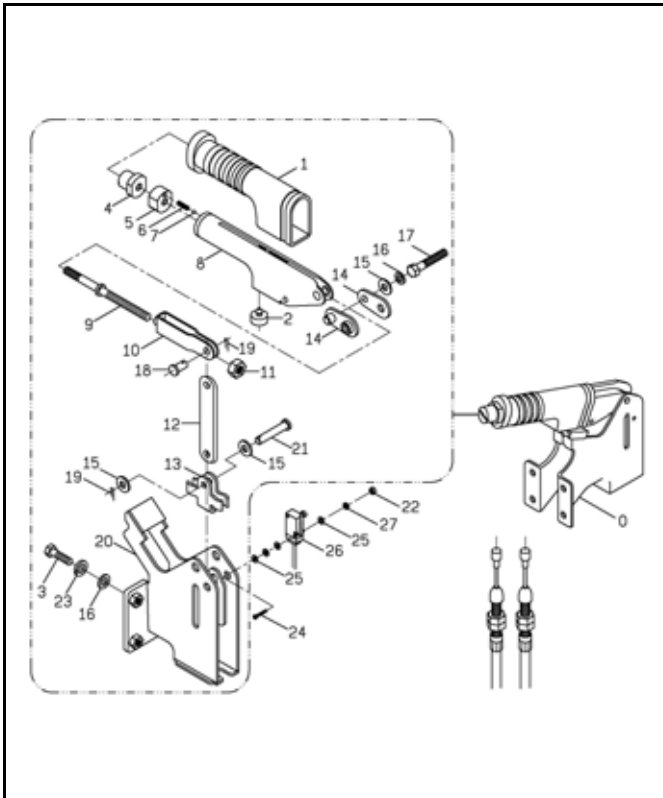
加速器連桿組

A335-8A

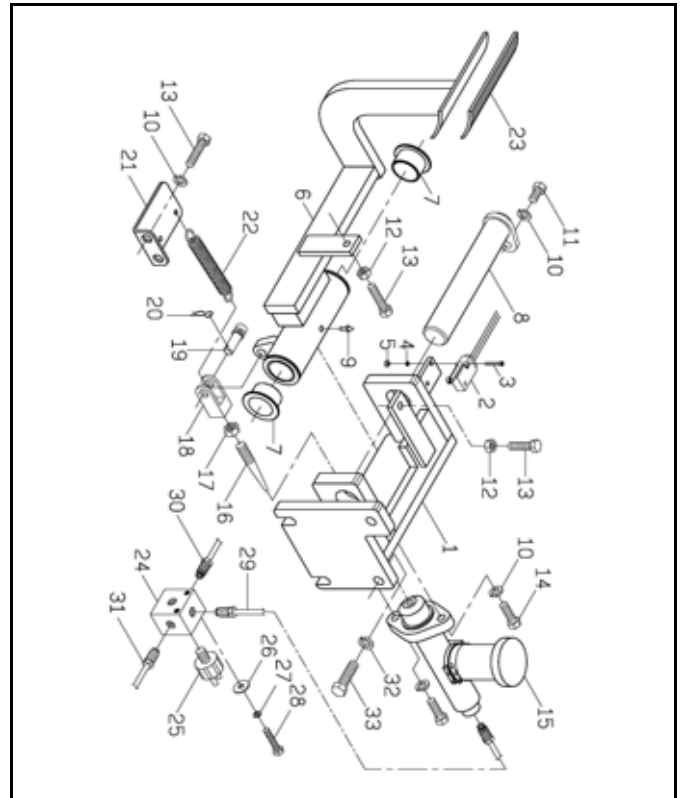
ACCELERATOR LEVER ASSY (SME AC)

圖解索引
ILLUSTRATION INDEX

煞車系統 A336 BRAKE SYSTEM



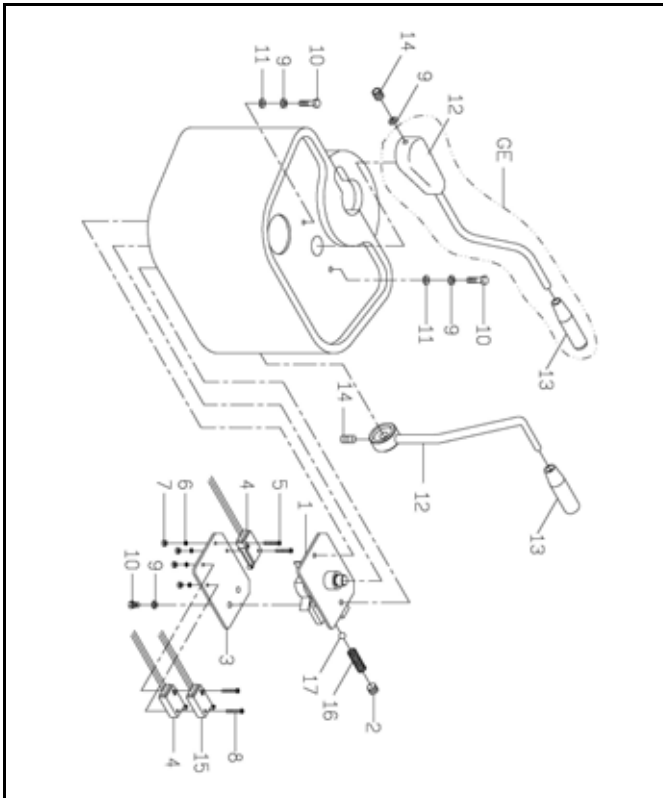
手煞車組
A336-3
PARKING BRAKE ASSY



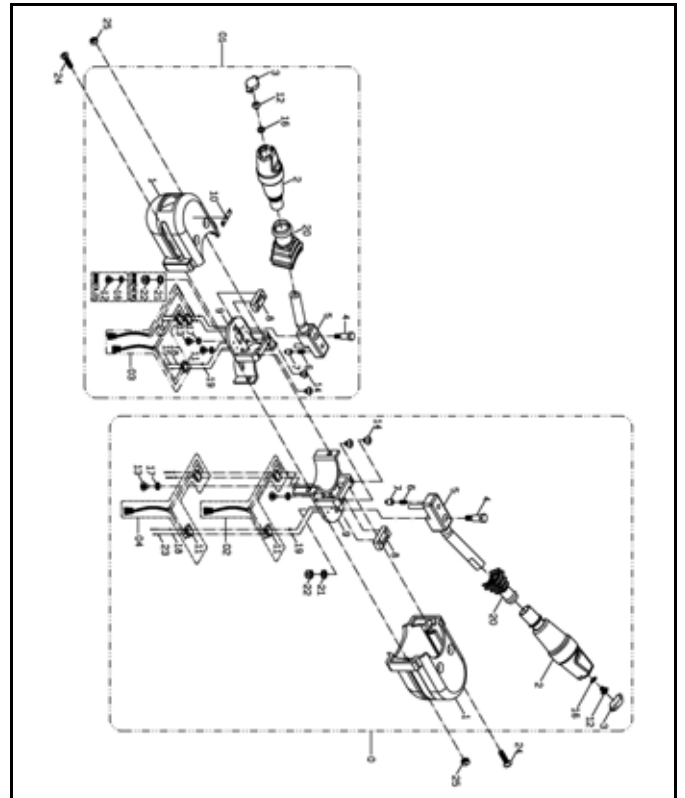
腳煞車組
A336-4
FOOT-PARKING BRAKE ASSY

圖解索引
ILLUSTRATION INDEX

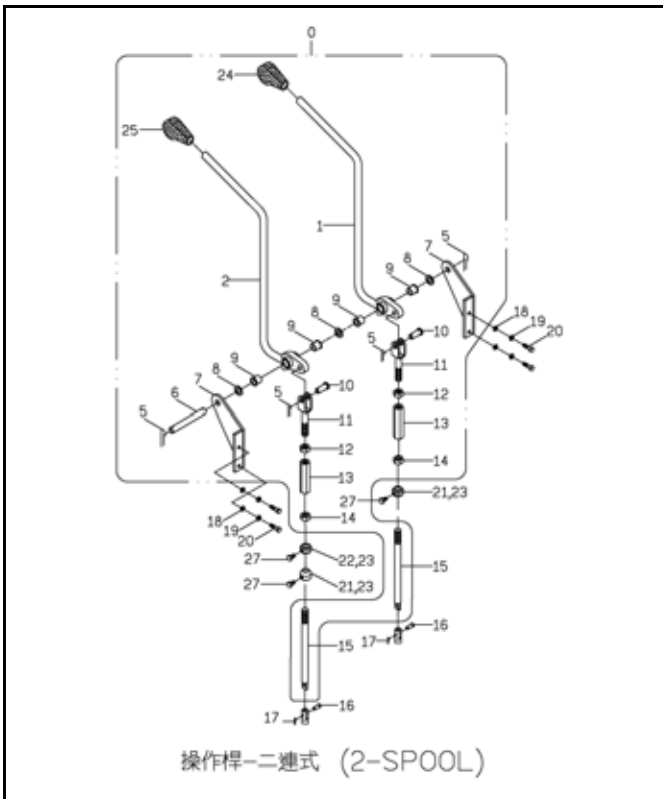
操縱系統 A337 CONTROL SYSTEM



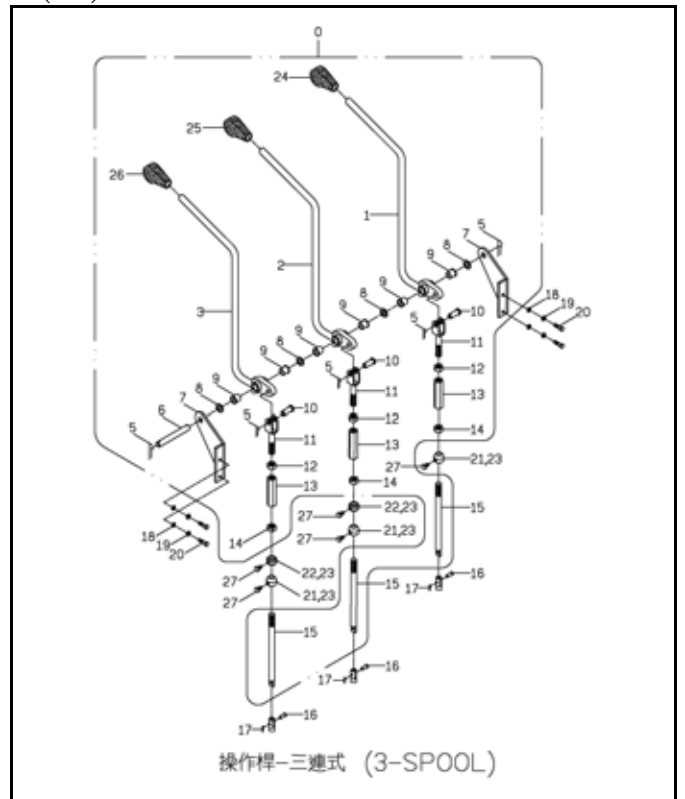
轉向系統
A337-3 停用(NOT USED)
STEERING SYSTEM



電子式自排排檔開關組
A337-3A
(AT)ELECTRIC SHIFT LEVER SWITCH ASSY



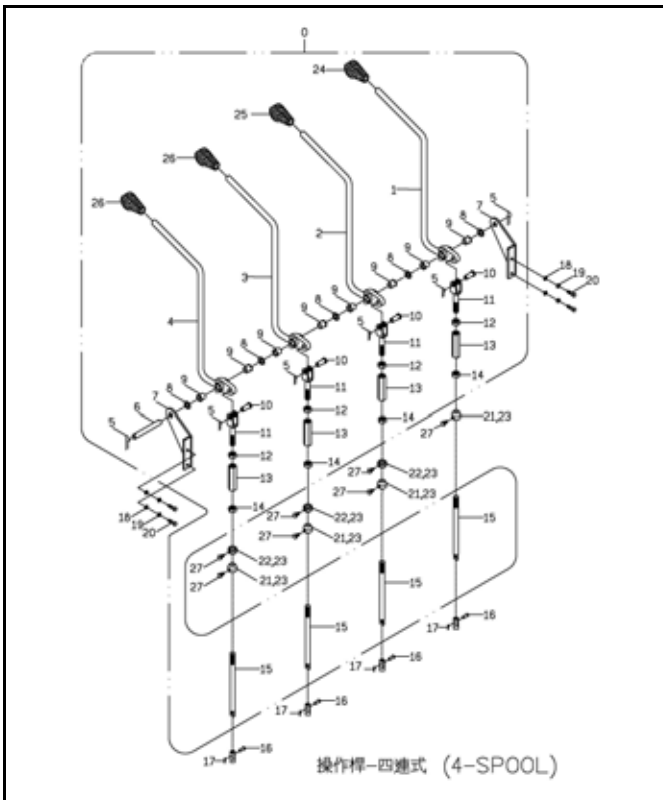
操作桿組
A337-4
OPERATION LEVER ASSY



操作桿組
A337-4
OPERATION LEVER ASSY

圖解索引
ILLUSTRATION INDEX

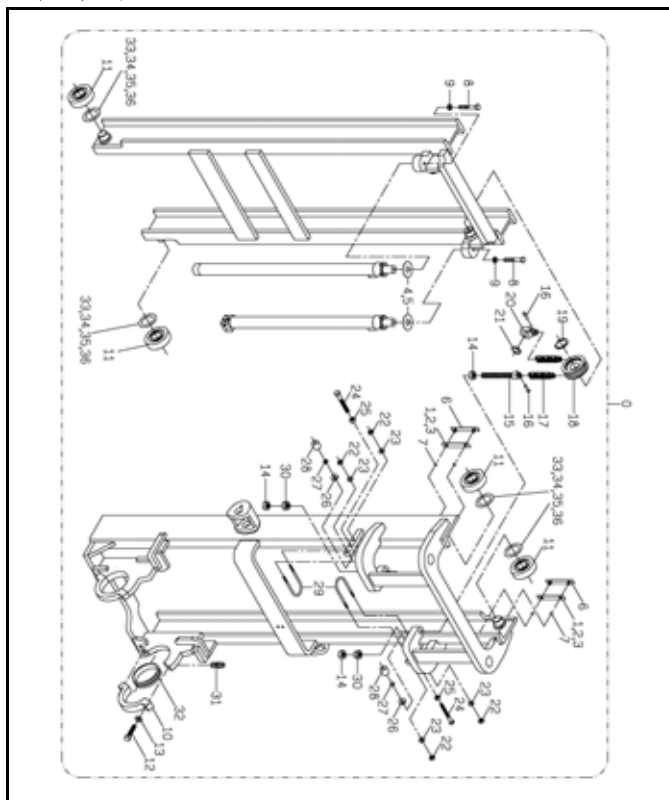
操縱系統 A337 CONTROL SYSTEM



操作桿組
A337-4
OPERATION LEVER ASSY

圖解索引 ILLUSTRATION INDEX

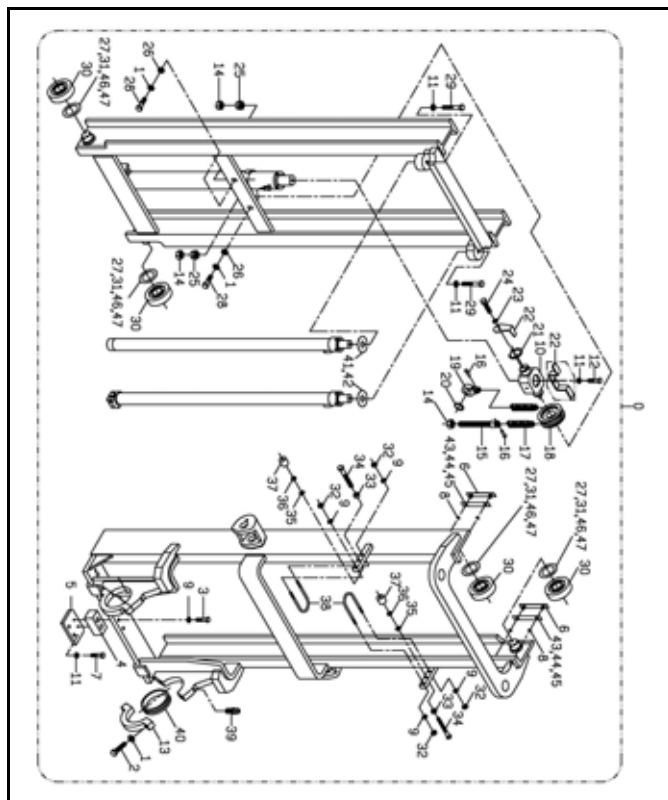
升降系統 A338 MAST SYSTEM



二截式桅桿配件組

A338-8

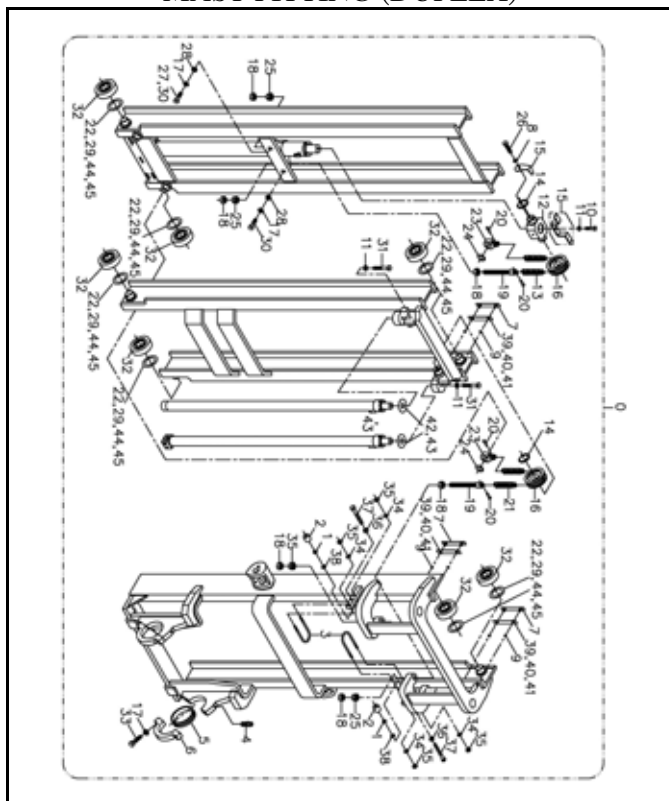
MAST FITTING (DUPLEX)



二截式貨櫃型桅桿配件組

A338-8A

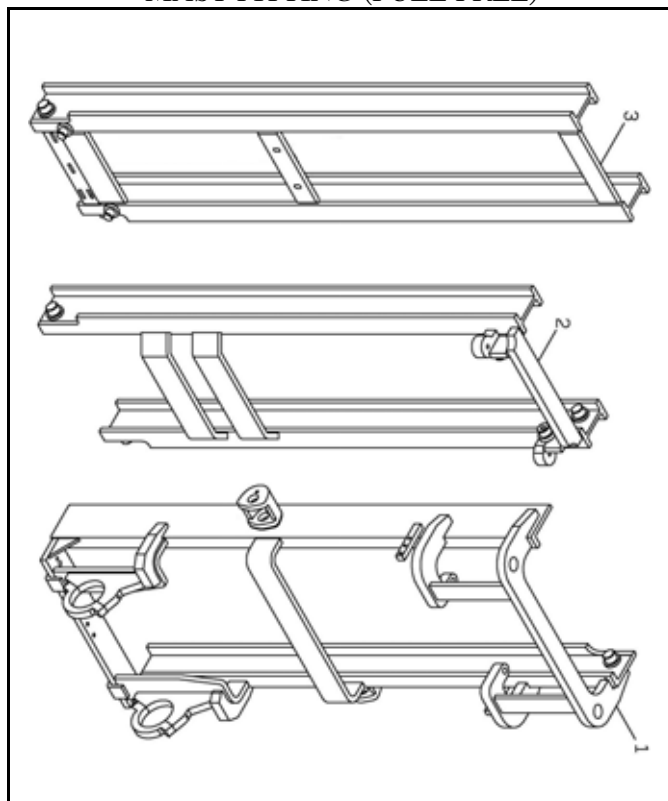
MAST FITTING (FULL FREE)



三截式桅桿配件組

A338-8B

MAST FITTING (TRIPLEX)



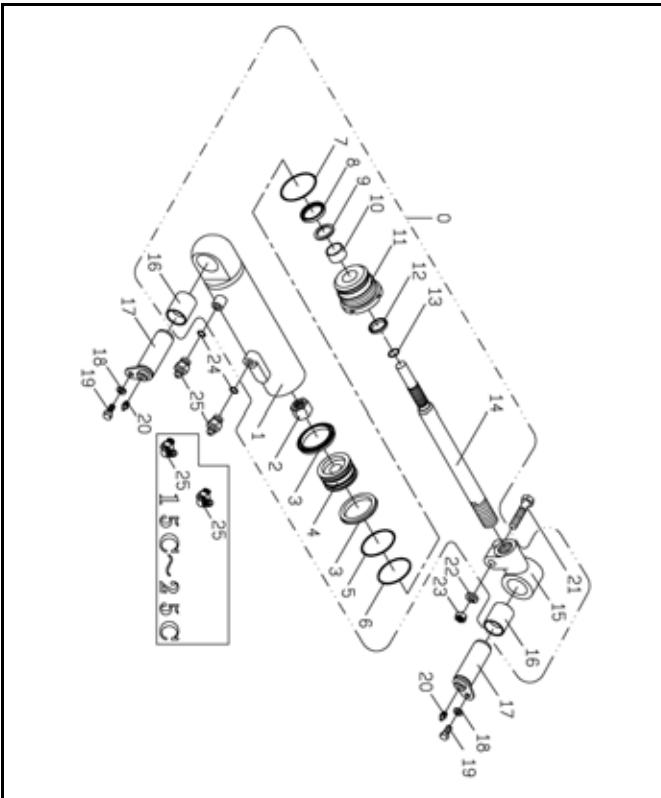
滑軌組

A338-9

MAST ASSY

圖解索引
ILLUSTRATION INDEX

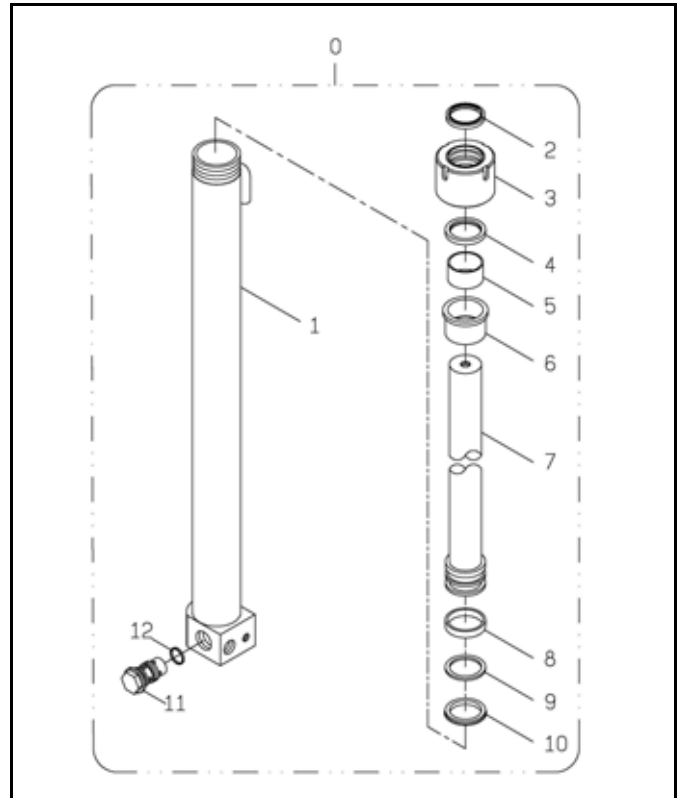
升降系統 A338 MAST SYSTEM



傾斜缸組

A338-10

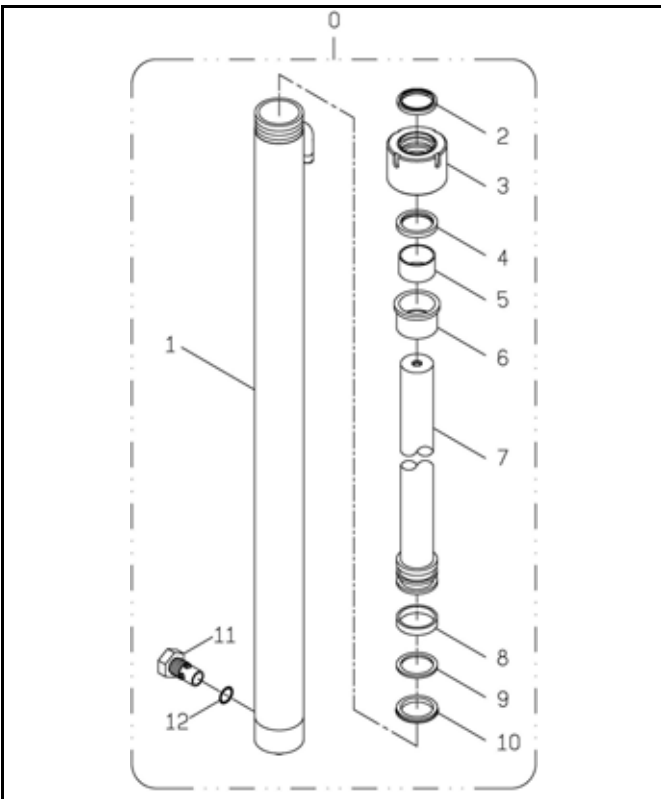
TILT CYLINDER ASSY



二、三截式升降缸組(右)

A338-11

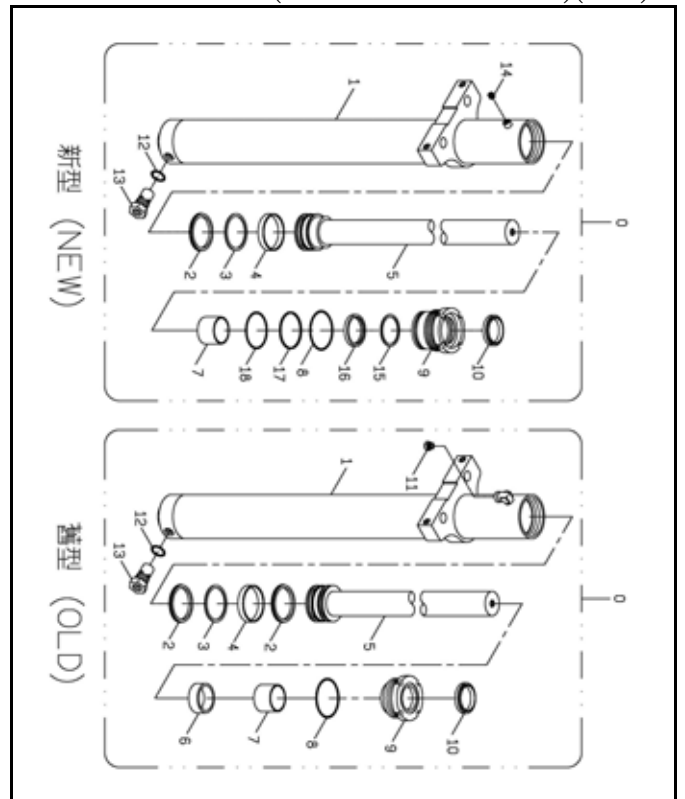
LIFT CYLINDER (DUPLEX & TRIPLEX)(R.H.)



二、三截式升降缸組(左)

A338-11A

LIFT CYLINDER (DUPLEX & TRIPLEX)(L.H.)



二、三截式貨櫃型油壓缸組

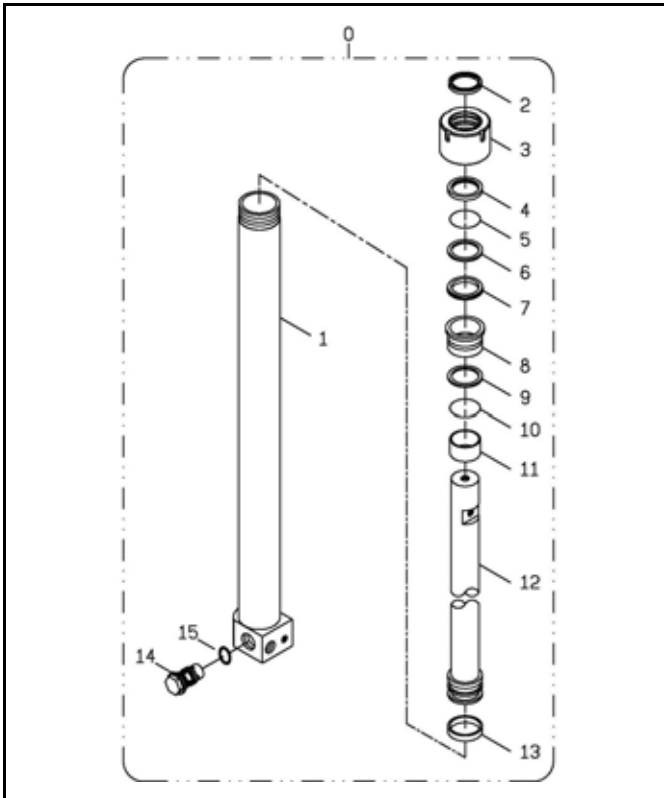
A338-11B

LIFT CYLINDER (FULL FREE & TRIPLEX)

圖解索引

ILLUSTRATION INDEX

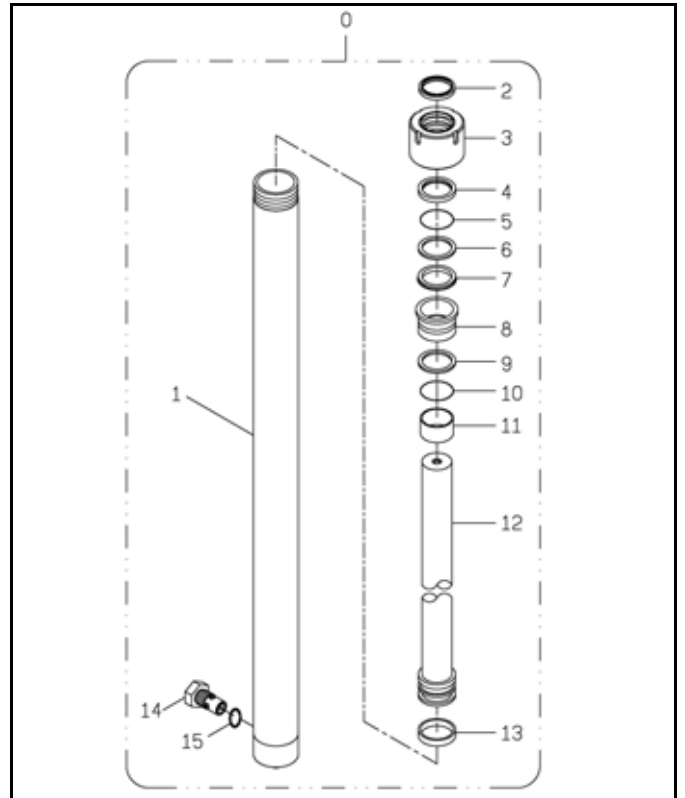
升降系統 A338 MAST SYSTEM



二截式貨櫃型升降缸組(右)

A338-11C

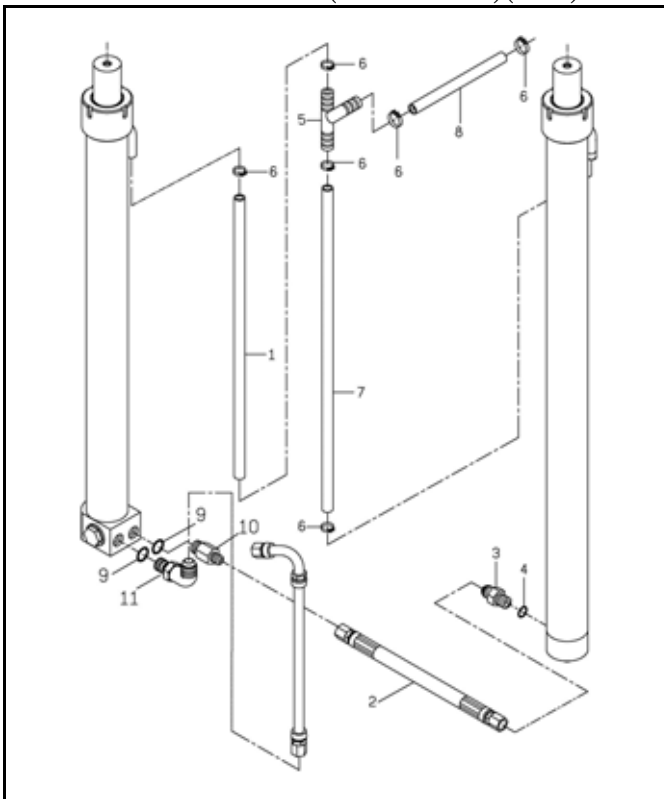
LIFT CYLINDER (FULL FREE)(R.H.)



二截式貨櫃型升降缸組(左)

A338-11D

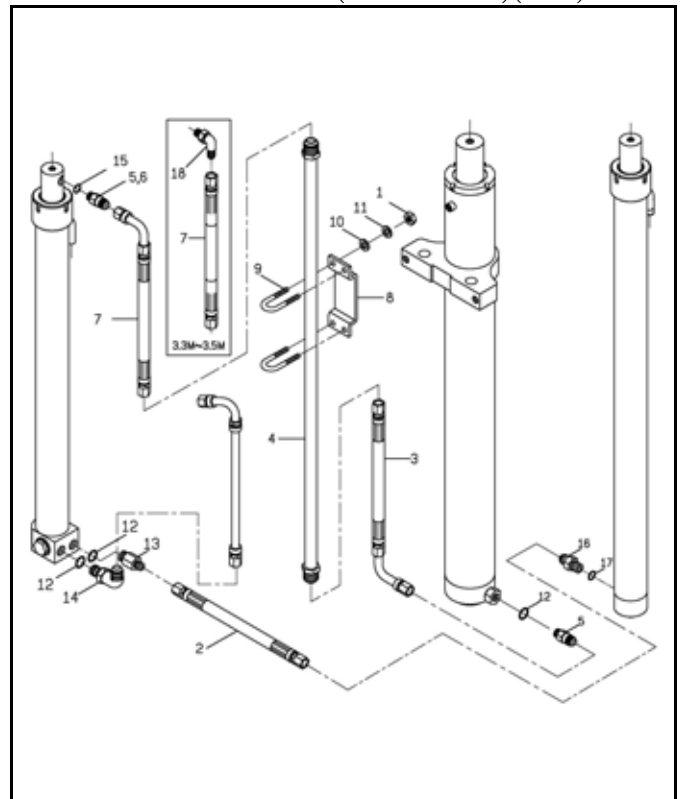
LIFT CYLINDER (FULL FREE)(L.H.)



二截式升降缸配管組

A338-12

LIFT CYLINDER FITTING (DUPLEX)



二截式貨櫃型升降缸配管組

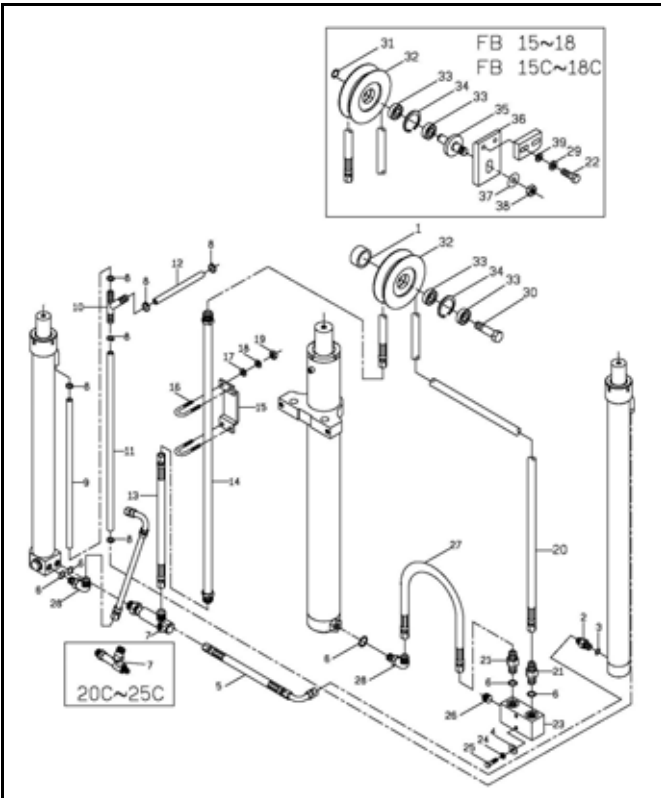
A338-12A

LIFT CYLINDER FITTING (FULL FREE)

圖解索引

ILLUSTRATION INDEX

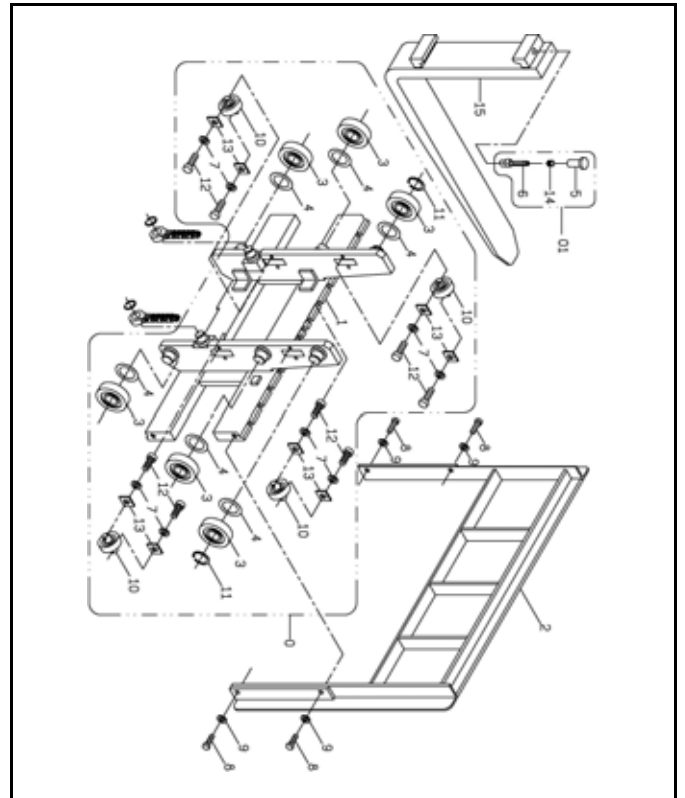
升降系統 A338 MAST SYSTEM



三截式升降缸配管組

A338-12B

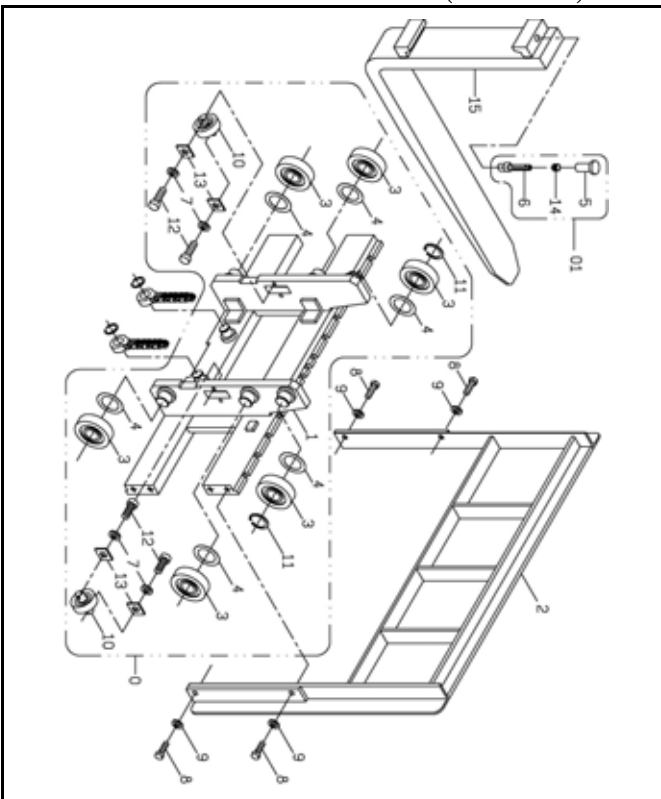
LIFT CYLINDER FITTING (TRIPLEX)



二截式貨叉架組

A338-13

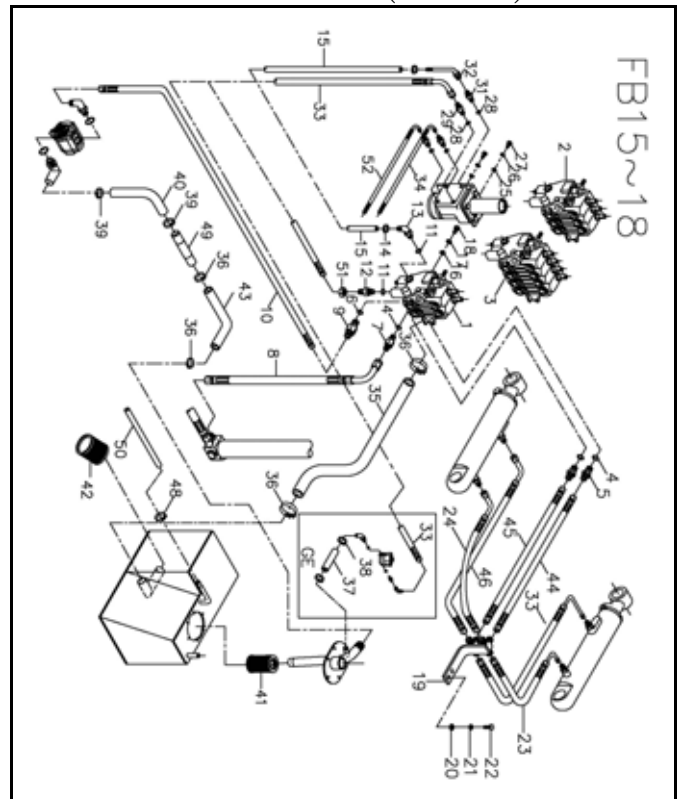
LIFT BRACKET (DUPLEX)



二.三截式貨櫃型貨叉架組

A338-13A

LIFT BRACKET (FULL FREE & TRIPLEX)



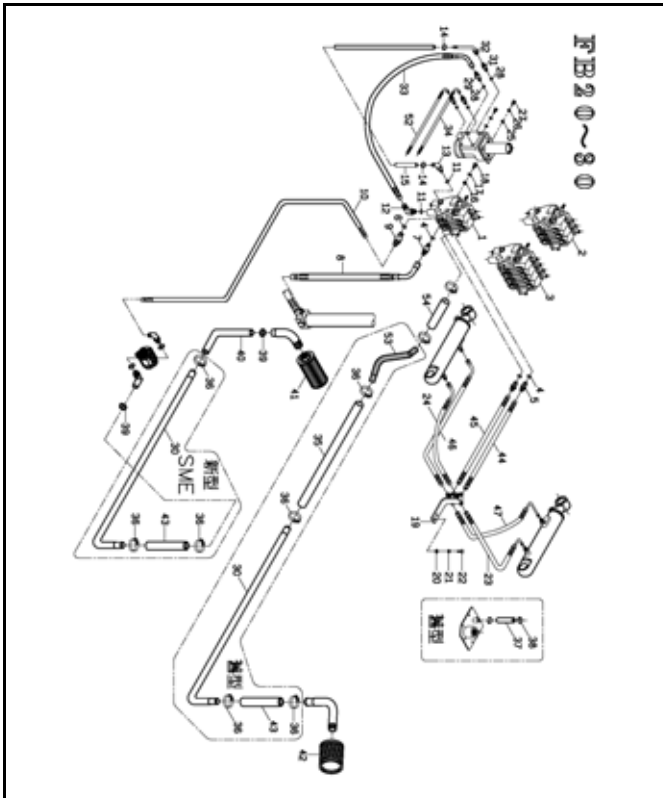
油壓管路組

A338-14

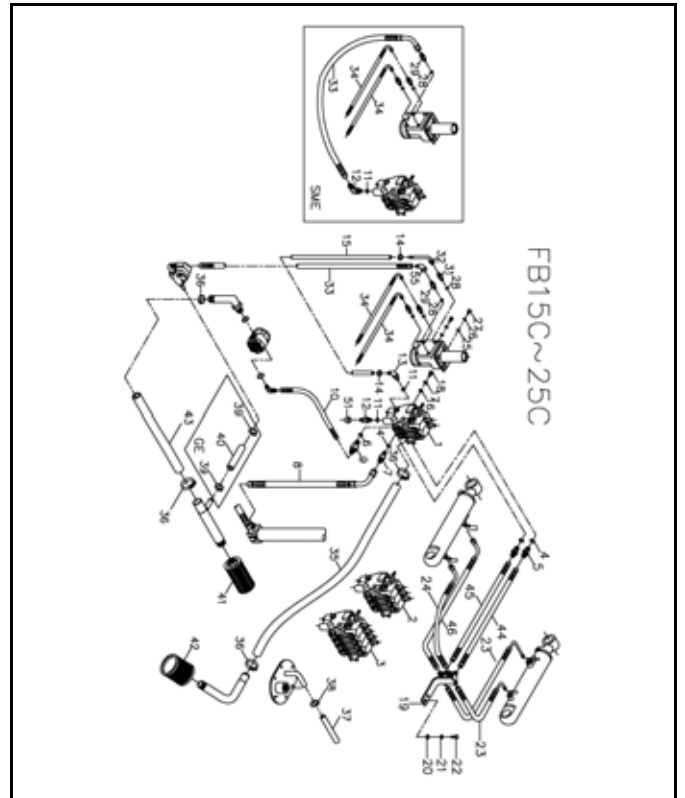
HYDRAULIC PIPE ASSY

圖解索引
ILLUSTRATION INDEX

升降系統 A338 MAST SYSTEM



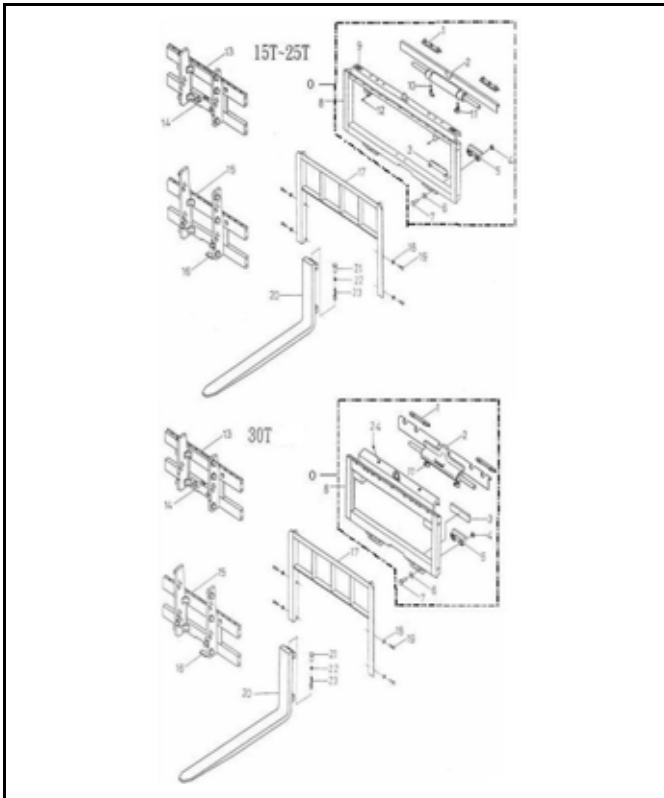
油壓管路組
A338-14
HYDRAULIC PIPE ASSY



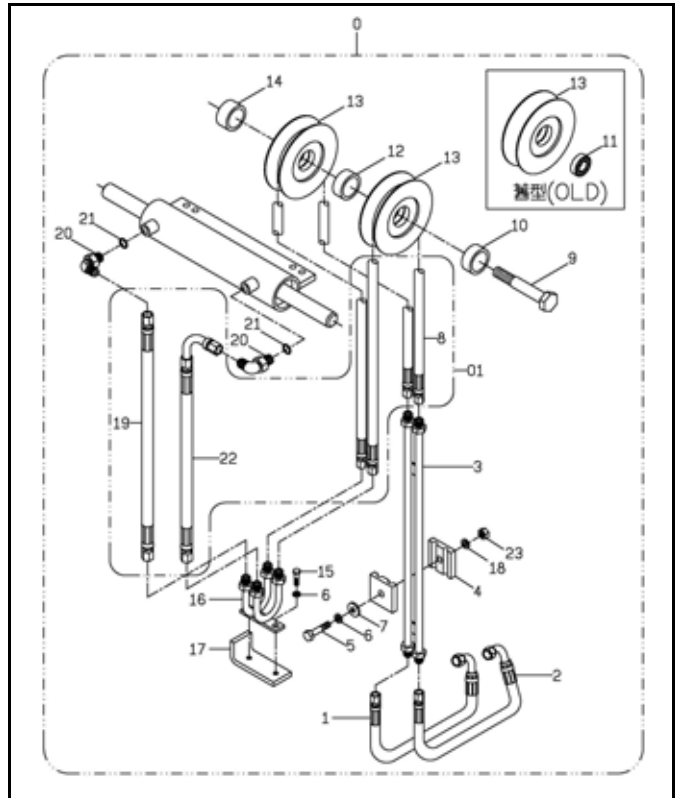
油壓管路組
A338-14
HYDRAULIC PIPE ASSY

圖解索引
ILLUSTRATION INDEX

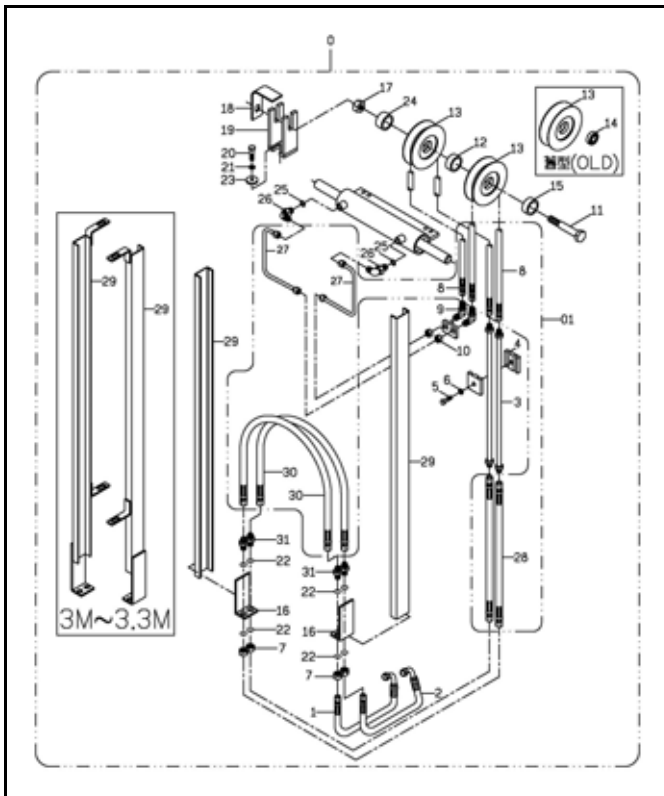
選配配件系統 A340 OPTIONAL ACCESSORY SYSTEM



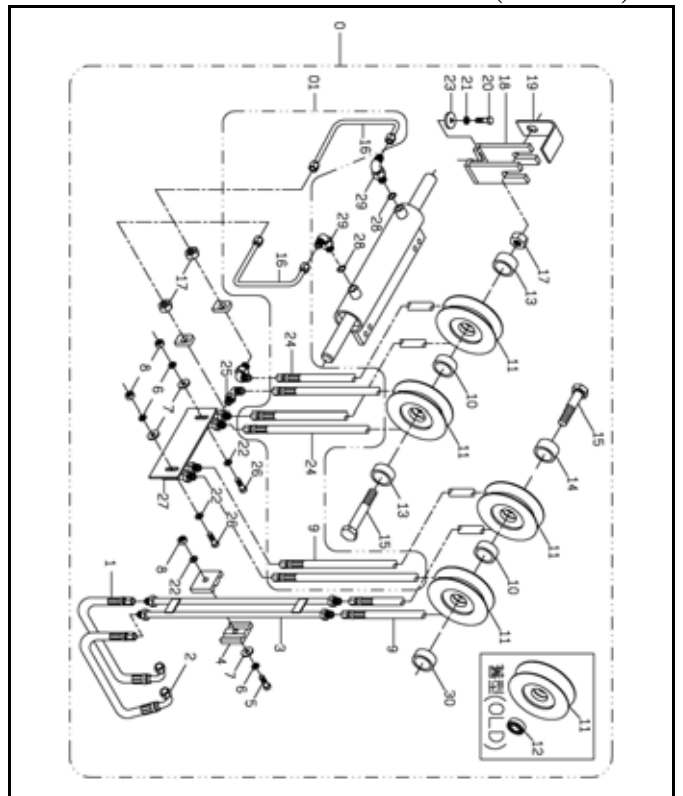
側移組
A340-3
SIDE SHIFT ASSY



二截式側移配管組
A340-4
HOSE & ROLL FOR SIDE SHIFT (DUPLEX)



二截式貨櫃型側移配管組
A340-4A
HOSE & ROLL FOR SIDE SHIFT (FULL FREE)

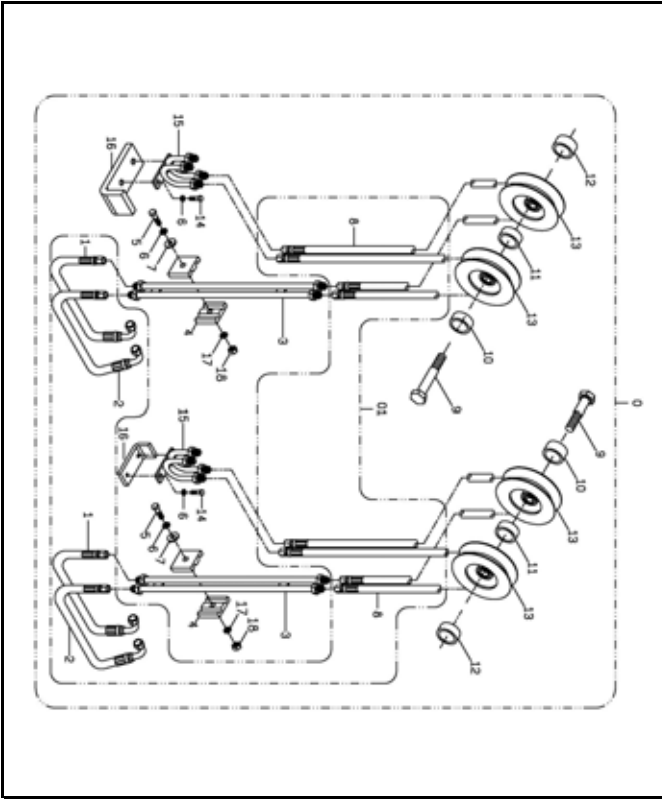


三截式側移配管組
A340-4B
HOSE & ROLL FOR SIDE SHIFT (TRIPLEX)

圖解索引

ILLUSTRATION INDEX

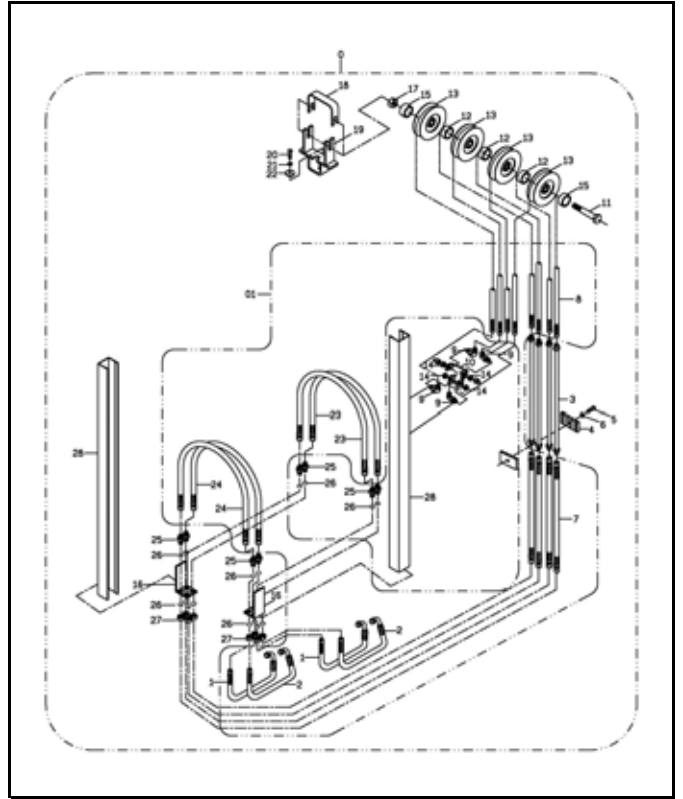
選配配件系統 A340 OPTIONAL ACCESSORY SYSTEM



二截式四排配管組

A340-4C

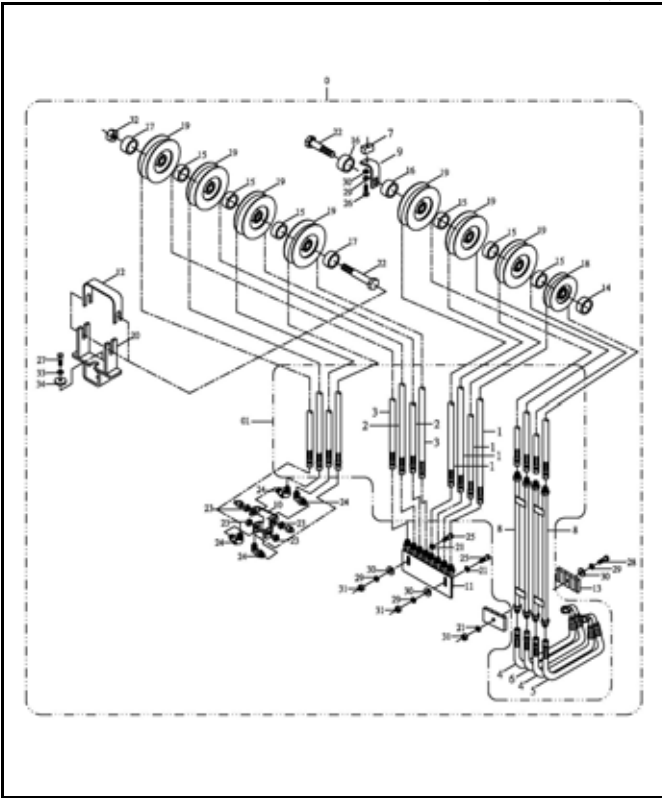
HOSE & ROLL OF FOUR-ROW (DUPLEX)



二截式貨櫃型四排配管組

A340-4D

HOSE & ROLL OF FOUR-ROW (FULL FREE)



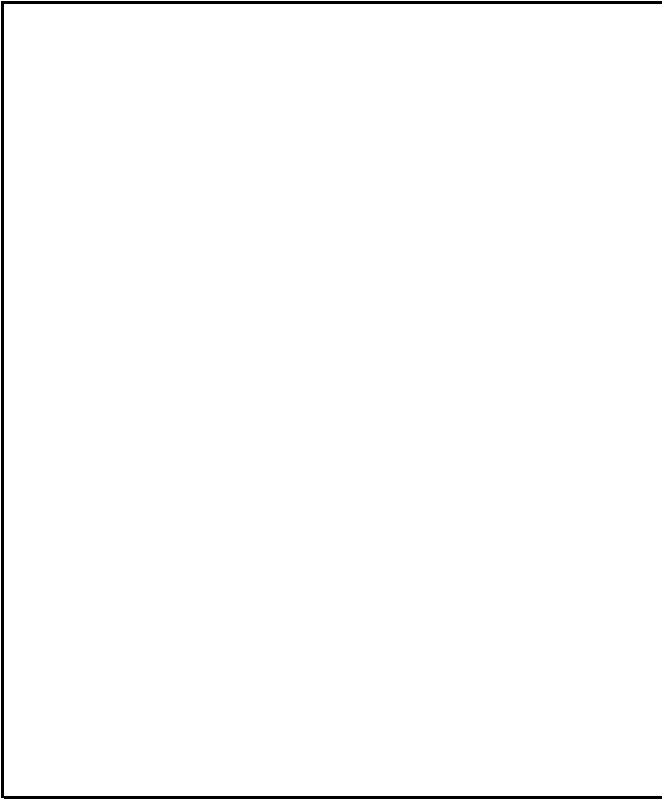
三截式四排配管組

A340-4E

HOSE & ROLL OF FOUR-ROW (TRIPLEX)

圖解索引
ILLUSTRATION INDEX

修理包系統 A341 REPAIR KIT SYSTEM

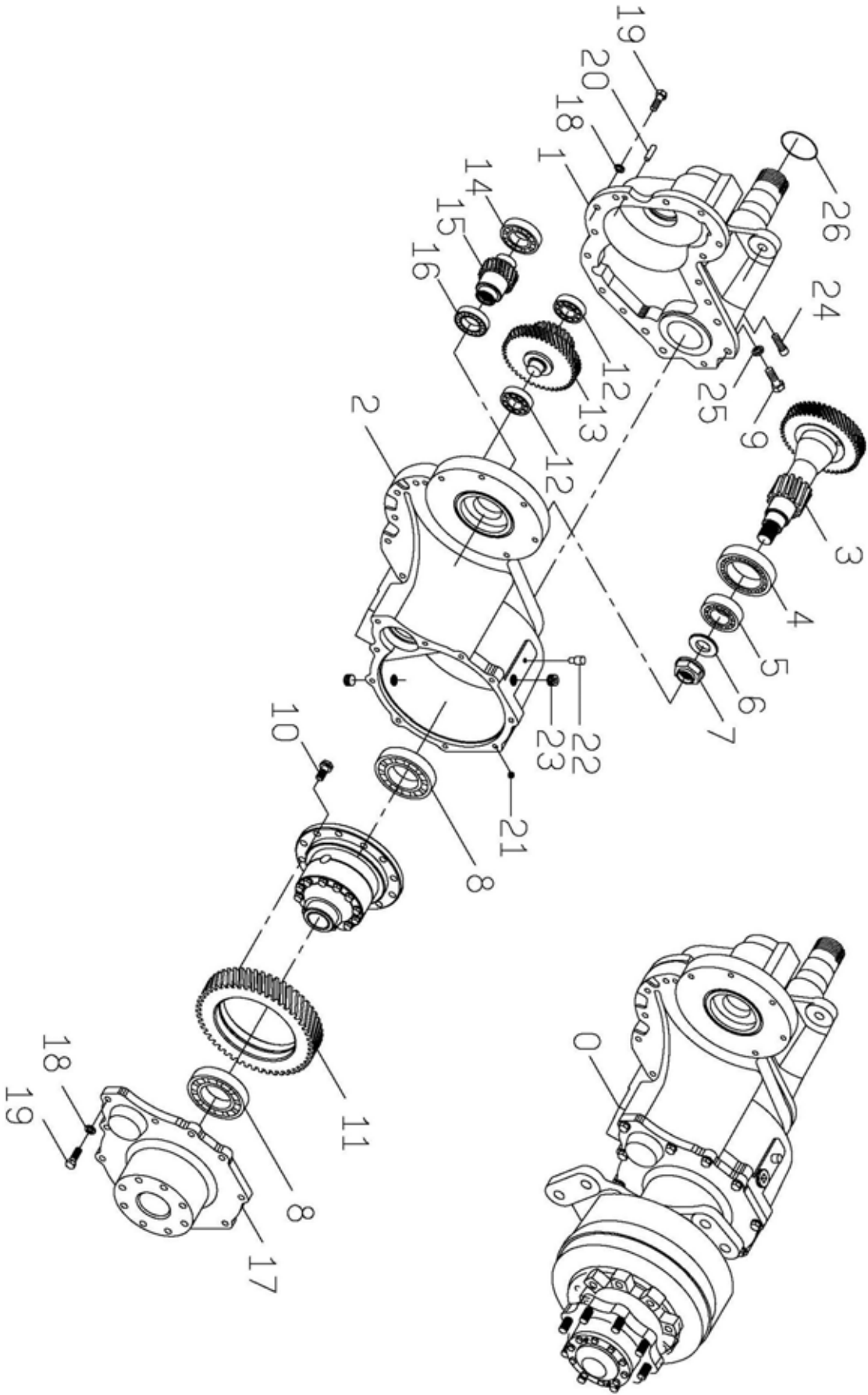


修理包總覽
A341-2
REPAIR KIT OVERALL

變速箱系統
A331
TRANSMISSION
SYSTEM

變速箱系統
A331
TRANSMISSION SYSTEM

傳動齒輪箱
A331-3
TRANSMISSION GEAR BOX



變速箱系統 A331 TRANSMISSION SYSTEM

傳動齒輪箱

A331-3

TRANSMISSION GEAR BOX

編號 NO.	零件名稱 (PARE NAME)				FB					FB (C)			機號 BODY NO.	備註 REMARK			
	新碼	舊碼	規格	互換性 I T C	應用日期	數量 Q T Y	1	1	2	2	3	1			1	2	2
	NEW PART NO.	OLD PART NO.	SPECIFICATION		APPLIED DATE		A	B	C	D	E	F			G	H	I
0	變速箱總成(TRANSMISSION GEAR BOX ASSY)																
	B350785					1	A	B								停用 (NOT USED)	
	B350786					1			C	D						停用 (NOT USED)	
	B350787					1					E					停用 (NOT USED)	
	B350788					1						F	G			停用 (NOT USED)	
	B350790					1								H	I	停用 (NOT USED)	
	B351707				2008/10	1	A	B								SME	
	B351708				2008/10	1			C	D						SME	
	B351778				2008/12	1					E					SME	
	B352397				2010/05	1						F	G			SME	
	B352398				2010/05	1								H	I	SME	
1	左軸側蓋(LEFT SIDE COVER)																
	30430					1	A	B									
	30878					1			C	D							
	31012					1					E						
	30836					1						F	G				
	31087					1								H	I		
2	變速箱體(TRANSMISSION CASE)																
	31132					1					E					停用 (NOT USED)	
	30985A					1	A	B	C	D	E	F	G			停用 (NOT USED)	
	30431				2007/09	1	A	B	C	D	E	F	G			停用 (NOT USED)	
	30431B				2009/02	1	A	B	C	D	E	F	G			停用 (NOT USED)	
	31444					1								H	I	停用 (NOT USED)	
	31444A				2009/02	1								H	I	停用 (NOT USED)	
	30431C				2009/04	1	A	B	C	D	E	F	G	H	I	SME	
3	傳導齒輪(GEAR)																
	30432B					1	A	B	C	D	E	F	G	H	I	修改 (MODIFY)	
	30432B					1	A	B				F	G			SME	
	3000380					1			C	D	E			H	I	SME	
4	圓錐滾子軸承(BEARING)																
	M0909-32015	92506012				1	A	B	C	D	E	F	G	H	I		
5	圓錐滾子軸承(BEARING)																
	M0909-32208					1	A	B	C	D	E	F	G	H	I		
6	鎖緊墊圈(WASHER)																
	30433					1	A	B	C	D	E	F	G	H	I		
7	特殊螺帽(NUT)																
	30434					1	A	B	C	D	E	F	G	H	I		
8	深槽滾珠軸承(BEARING)																
	M0901-6213					2	A	B	C	D	E	F	G	H	I		

變速箱系統 A331 TRANSMISSION SYSTEM

傳動齒輪箱

A331-3

TRANSMISSION GEAR BOX

編號 NO.	零件名稱 (PARE NAME)										機號 BODY NO.	備註 REMARK					
	新碼 NEW PART NO.	舊碼 OLD PART NO.	規格 SPECIFICATION	互換性 I T C	應用日期 APPLIED DATE	數量 Q T Y	FB						FB (C)				
							1	1	2	2			3	1	1	2	2
5	8	0	5	0	5	8	0	5									
9	六角頭螺栓(BOLT)																
	M1423004	92506042				12	A	B	C	D	E	F	G	H	I		
10	帶帽螺栓(BOLT)																
	32107	92502008				12	A	B	C	D	E	F	G	H	I		
11	盤型齒輪(HYPOID GEAR SET)											修改(MODIFY) SME SME					
	30436A					1	A	B	C	D	E		F	G	H	I	
	30436B			2010/10		1	A	B					F	G			
	3000381			2009/01		1		C	D	E					H	I	
12	深槽滾珠軸承(BEARING)																
	M0901-6206	92560504				2	A	B	C	D	E	F	G	H	I		
13	中間齒輪(GEAR)											停用(NOT USED) 停用(NOT USED) SME SME					
	30437A					1	A	B	C	D	E		F	G	H	I	
	3000382			2009/01		1		C	D	E					H	I	
	3000179			2008/10		1	A	B					F	G			
	3000382A			2011/11		1		C	D	E					H	I	
14	深槽滾珠軸承(BEARING)																
	M0901-6208					1	A	B	C	D	E	F	G	H	I		
15	主動齒輪(GEAR)											GE, 停用(NOT USED) SEVCON, 停用(NOT USED) GE, 停用(NOT USED) SEVCON, 停用(NOT USED) SME, 停用(NOT USED) GE, 停用(NOT USED) GE, 停用(NOT USED) SME, 停用(NOT USED) SME, 停用(NOT USED) SME SME					
	30438					1	A	B									
	31810B			2007/02		1	A	B									
	31108					1		C	D	E							
	31778					1		C	D	E							
	3000383			2009/01		1		C	D	E							
	30893A					1					F		G				
	31109					1									H	I	
	3000178			2008/10		1	A	B			F		G				
	3000383B			2010/01		1		C	D	E					H	I	
	3000178A			2010/10		1	A	B			F		G				
	3000383C			2010/10		1		C	D	E				H	I		
16	深槽滾珠軸承(BEARING)																
	M0901-6008					1	A	B	C	D	E	F	G				
	M0901-6010					1								H	I		
17	右軸側蓋(RIGHT SIDE COVER)																
	30439					1	A	B	C	D	E	F	G	H	I		
18	彈簧墊圈3號(SPRING WASHER)																
	M1605-M12	92501024				24	A	B	C	D	E	F	G	H	I		
19	六角頭螺栓(BOLT)																
	M1424012					24	A	B	C	D	E	F	G	H	I		

變速箱系統
A331
TRANSMISSION SYSTEM

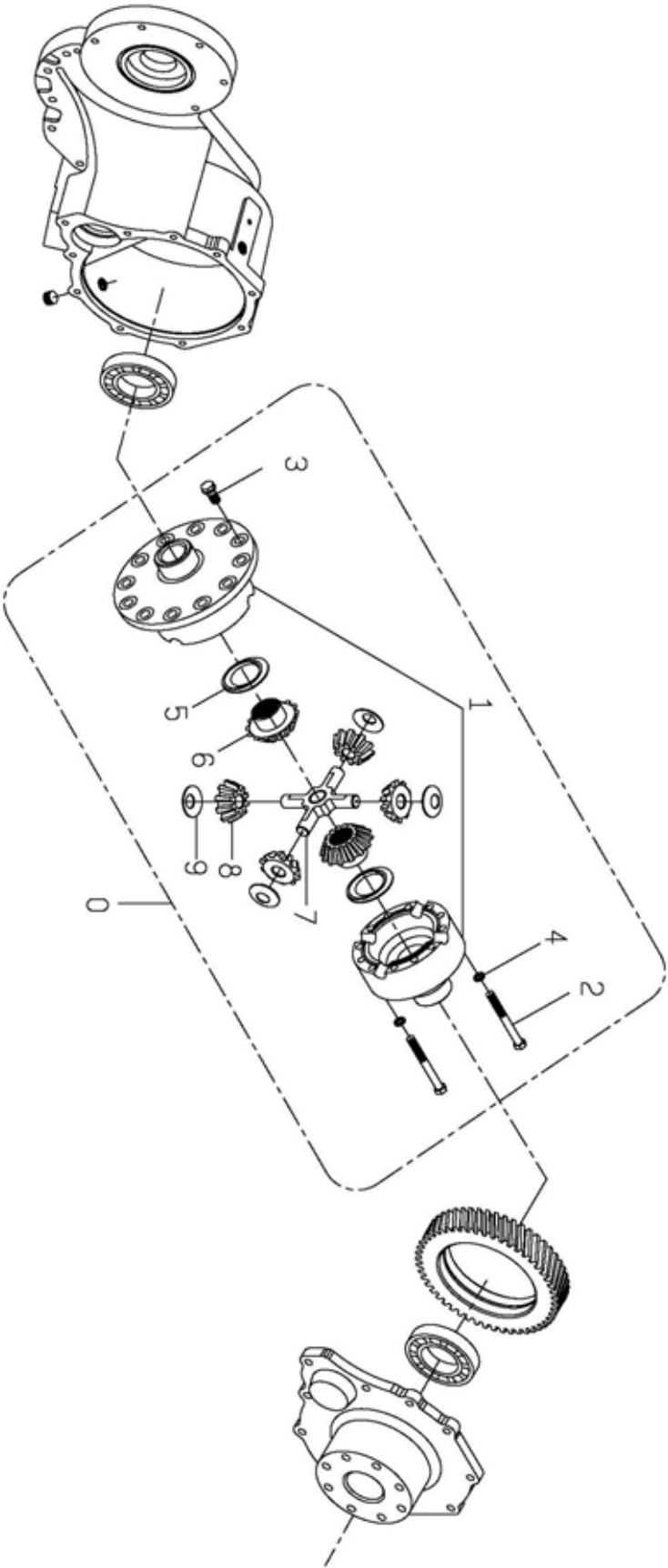
傳動齒輪箱
A331-3

TRANSMISSION GEAR BOX

編號 NO.	零件名稱 (PART NAME)										機號 BODY NO.	備註 REMARK					
	新碼 NEW PART NO.	舊碼 OLD PART NO.	規格 SPECIFICATION	互換性 I T C	應用日期 APPLIED DATE	數量 Q T Y	FB						FB (C)				
							1	1	2	2			3	1	1	2	2
5	8	0	5	0	5	8	0	5									
20	銷(PIN)																
	M1325-10*35					2	A	B	C	D	E	F	G	H	I		
21	內六角塞頭(PLUG)																
	M0604007	92560409				1	A	B	C	D	E	F	G	H	I		
22	透氣栓(BREATHE BOLT)																
	32092	92502010A				1	A	B	C	D	E	F	G	H	I		
23	塞頭(PLUG)											停用(NOT USED)					
	M1401005					2	A	B	C	D	E		F	G	H	I	
	M0614001					2	A	B	C	D	E	F	G	H	I		
24	六角承窩頭螺栓(BOLT)																
	M1401006	92503020				1	A	B	C	D	E	F	G	H	I		
25	彈簧墊圈3號(SPRING WASHER)											停用(NOT USED)					
	M1606-M20					5	A	B	C	D	E		F	G	H	I	
	M1605-M14	92506020				5	A	B	C	D	E	F	G	H	I		
26	O形環(O-RING)																
	M0801-G70	93006038				1	A	B				F	G				
	M0801-G80	92508213				1			C	D							
	M0801-G85	43015305				1				E			H	I			

變速箱系統
A331
TRANSMISSION SYSTEM

差速器組立
A331-4
DIFFERENTIAL ASSEMBLY



變速箱系統
A331
TRANSMISSION SYSTEM

差速器組立

A331-4

DIFFERENTIAL ASSEMBLY

編號 NO.	零件名稱 (PARE NAME)				FB					FB (C)			機號 BODY NO.	備註 REMARK			
	新碼 NEW PART NO.	舊碼 OLD PART NO.	規格 SPECIFICATION	互換性 I T C	應用日期 APPLIED DATE	數量 Q T Y	1	1	2	2	3	1			1	2	2
							A	B	C	D	E	F			G	H	I
0	差速器總成(DIFFERENTIAL ASSY)																
	B351375					1	A	B	C	D		F	G				
	B351376					1				E			H	I			
1	差速器殼(DIFFERENTIAL CASE)																
	30440					1	A	B	C	D		F	G				
	31013					1				E			H	I			
2	六角頭螺栓(BOLT)																
	M1424001	92502007				12	A	B	C	D	E	F	G	H	I		
3	帶帽螺栓(BOLT)																
	32108A					12	A	B	C	D	E	F	G	H	I		
	32107	92502008				12	A	B	C	D	E	F	G	H	I		
4	彈簧墊圈3號(SPRING WASHER)																
	M1605-M10	92501218				12	A	B	C	D	E	F	G	H	I		
5	銅墊片(WASHER "CU")																
	32096	32502009				2	A	B	C	D		F	G				
	31016	33002102				2				E			H	I			
6	傘型齒輪(GEAR)																
	32098	32502017				2	A	B	C	D		F	G				
	31015	33002103				2				E			H	I			
7	十字軸(SPIDER)																
	32100	32502016A				1	A	B	C	D	E	F	G	H	I		
8	傘形齒輪(小)(GEAR)																
	32104	32502015				4	A	B	C	D	E	F	G	H	I		
9	止推墊圈(WASHER)																
	32102	32502014				4	A	B	C	D	E	F	G	H	I		

前輪軸系統

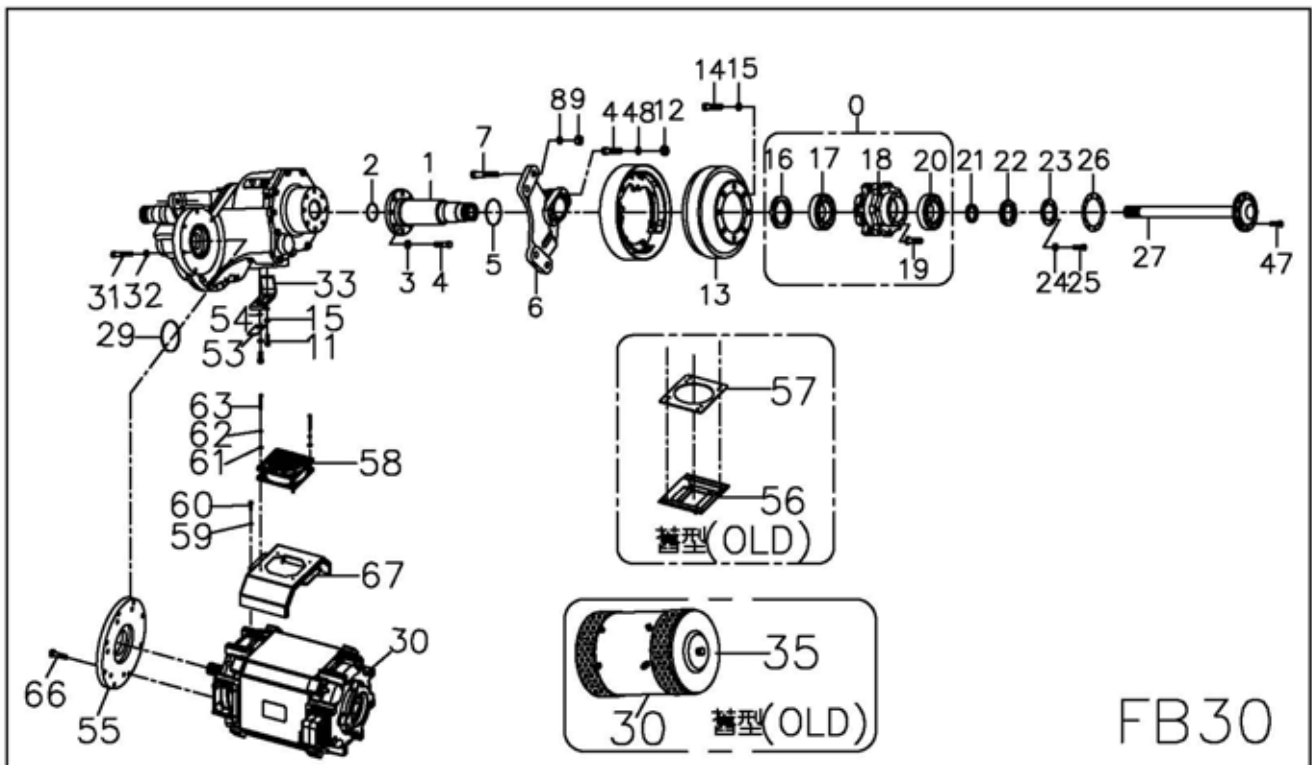
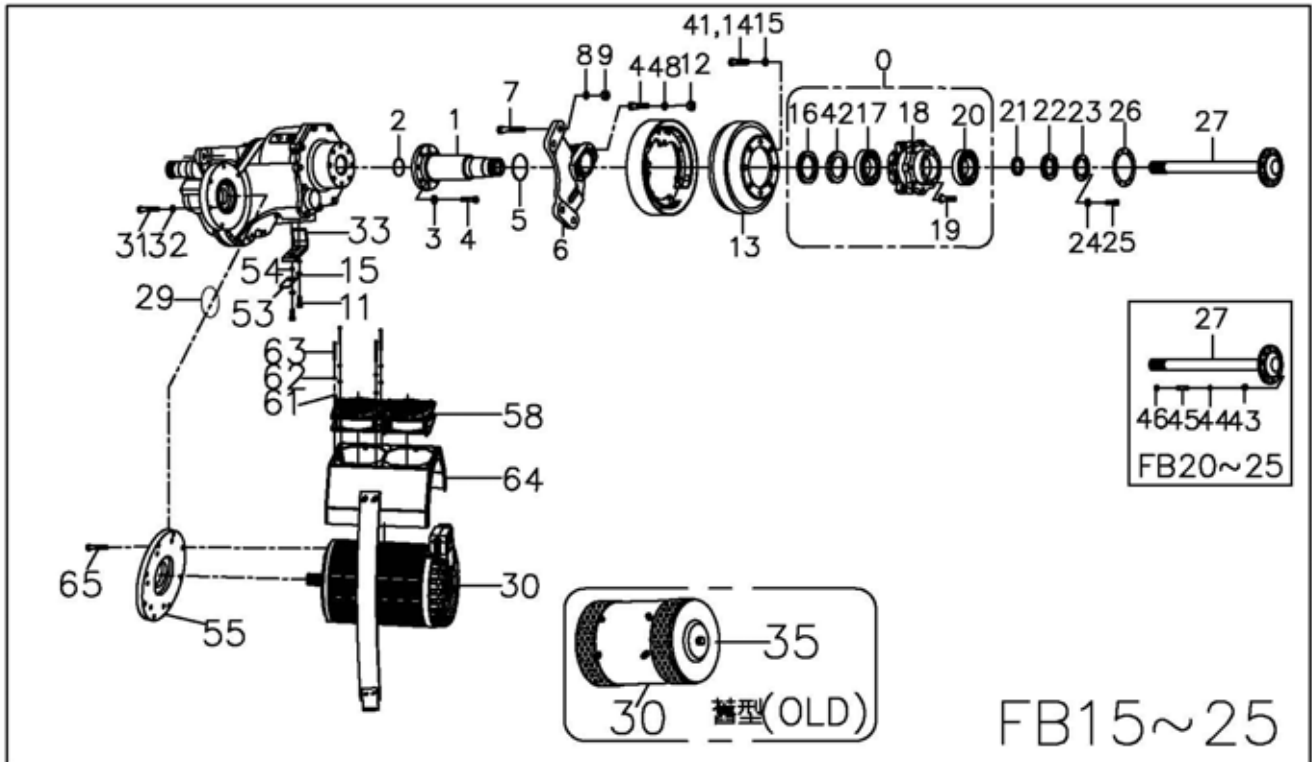
A332

DRIVE AXLE

SYSTEM

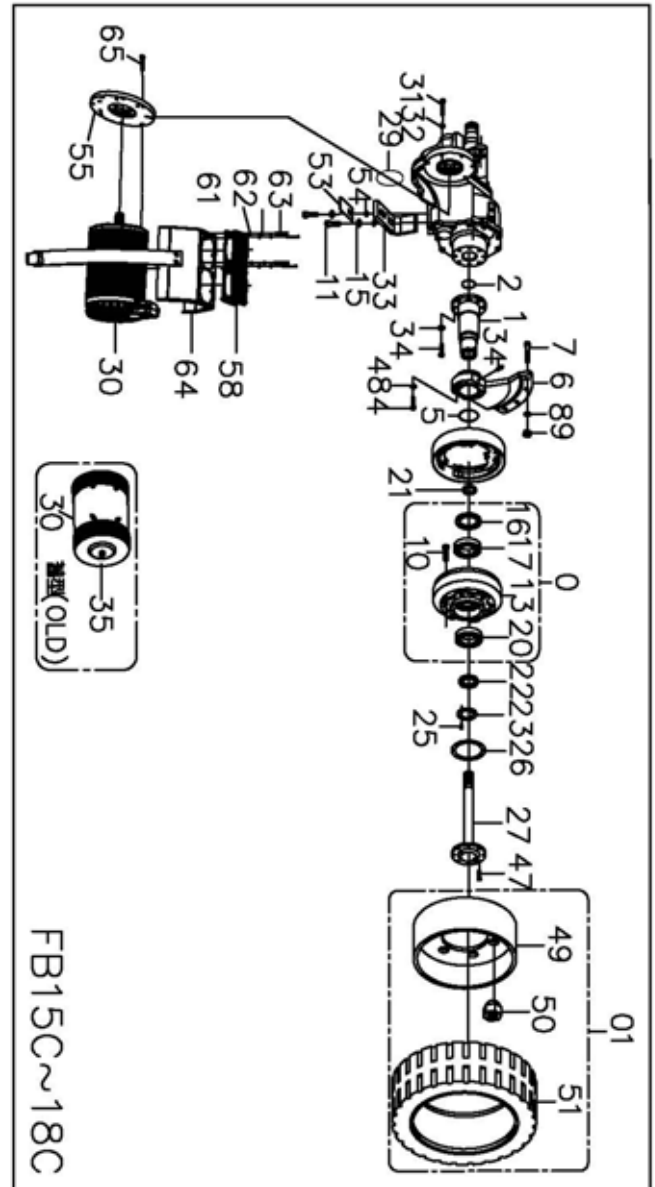
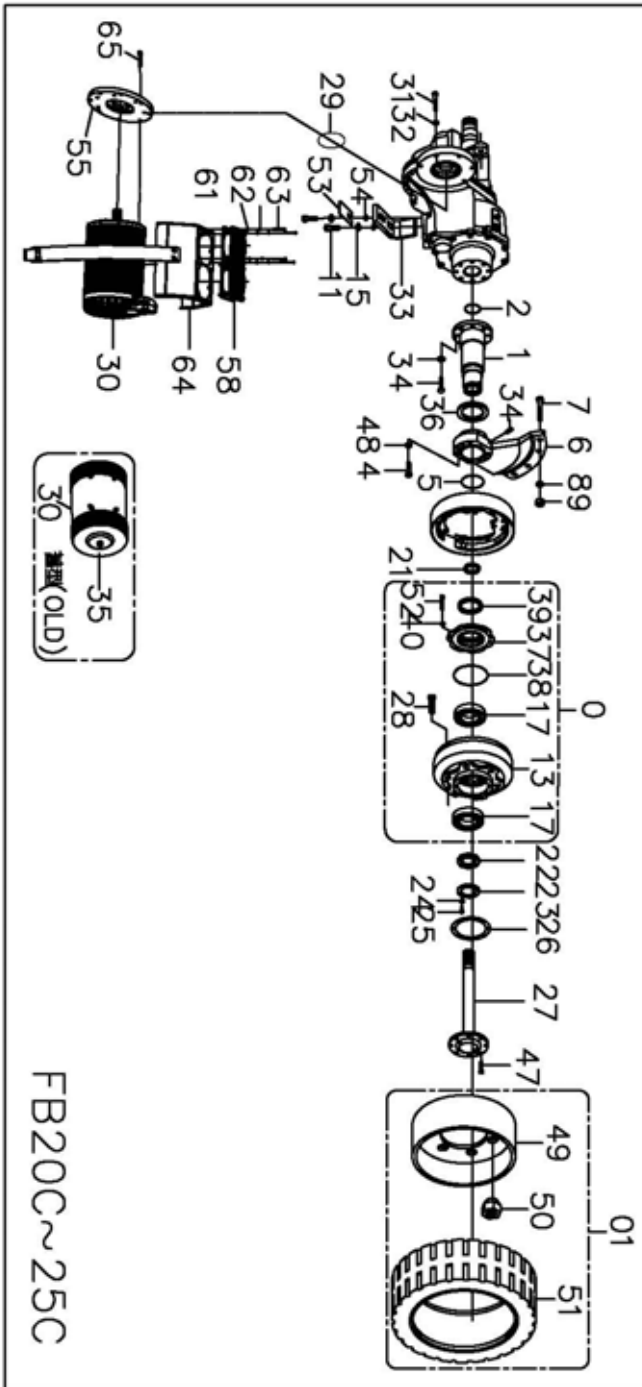
前輪軸系統 A332 DRIVE AXLE SYSTEM

前輪傳動軸
A332-3
WHEEL DRIVE AXLE



前輪軸系統 A332 DRIVE AXLE SYSTEM

前輪傳動軸
A332-3
WHEEL DRIVE AXLE



前輪軸系統
A332
DRIVE AXLE SYSTEM

前輪傳動軸

A332-3

WHEEL DRIVE AXLE

編號 NO.	零件名稱 (PARE NAME)										機號 BODY NO.	備註 REMARK					
	新碼 NEW PART NO.	舊碼 OLD PART NO.	規格 SPECIFICATION	互換性 I T C	應用日期 APPLIED DATE	數量 Q T Y	FB						FB (C)				
							A	B	C	D			E	F	G	H	I
0	前輪殼總成(FRONT DRUM ASSY)																
	B351377					1	A	B									
	B351378					1			C	D							
	B351379					1					E						
	B350028					1						F	G				
	B350029					1								H	I		
01	實心胎總成(SOLID TIRE ASSY)																
	B350506					2						F	G				
	B350507					2								H	I		
1	前輪基軸(HOUSING, DRIVE AXLE)																
	32214	31506043				1	A	B									
	32215	32506001A				1			C	D							
	31010					1					E						
	32217	51506001				1						F	G				
	31086					1								H	I		
2	O形環(O-RING)																
	M0801-G65	92506038				1	A	B	C	D	E	F	G	H	I		
3	彈簧墊圈3號(SPRING WASHER)																
	M1605-M14	92506020				16	A	B	C	D	E	F	G	H	I		
4	六角頭螺栓(BOLT)																
	M1423004	92506042				16	A	B	C	D	E	F	G	H	I		
5	O形環(O-RING)																
	M0801-G75	42515305				1	A	B				F	G				
	M0801-G90	92506040				1			C	D							
	M0801-G95	93006040				1					E			H	I		
6	前輪托架(右)(SUPPORT)(R)																
	30879					1				C	D						停用(NOT USED)
	32224	51506003A				1						F	G				停用(NOT USED)
	30420					1	A	B									
	30879A					1			C	D							
	31009					1					E						
	35635					1						F	G				
	32225	52506003A				1								H	I		
7	銷螺栓(BOLT)																
	M1423024	52506046				8								H	I		停用(NOT USED)
	32220	32506002				8	A	B	C	D	E	F	G	H	I		
8	彈簧墊圈3號(SPRING WASHER)																
	M1605-M18	92506004				8	A	B	C	D	E	F	G	H	I		

前輪軸系統
A332
DRIVE AXLE SYSTEM

前輪傳動軸

A332-3

WHEEL DRIVE AXLE

編號 NO.	零件名稱 (PARE NAME)				FB					FB (C)			機號 BODY NO.	備註 REMARK	
	新碼 NEW PART NO.	舊碼 OLD PART NO.	規格 SPECIFICATION	互換性 I T C	應用日期 APPLIED DATE	數量 Q T Y	1 A	1 B	2 C	2 D	3 E	1 F			1 G
9	六角螺帽(NUT)														
	M1513006	92506005				8	A	B	C	D	E	F	G	H	I
10	車輪螺栓(BOLT)														
	32264	51506023A				12						F	G		
11	六角頭螺栓(BOLT)														
	M1424010	92512810				2	A	B	C	D	E	F	G	H	I
12	六角螺帽(NUT)														
	M1501029	92506009				10	A	B							
	M1501029	92506009				16			C	D	E				
13	煞車鼓(DRUM, BRAKE)														
	30422					2	A	B							
	30882A					2			C	D	E				
	32230	51506013B				2						F	G		
	32231	52506013				2								H	I
14	六角螺栓(BOLT)														
	30885					16			C	D	E				
15	彈簧墊圈3號(SPRING WASHER)														
	M1605-M12	92501024				18	A	B				F	G	H	I
	M1605-M16	92504212				18			C	D	E				
	M1605-M12	92501024				2	A	B	C	D	E	F	G	H	I
16	油封(OIL SEAL)														
	32256	52506006				2								H	I
	M0706001	91506011				2	A	B				F	G		
	M0706002	92506011				2			C	D					
	M0706003	93006011				2					E				
17	圓錐滾子軸承(BEARING)														
	M0909-33013	92502006				2	A	B	C	D		F	G		
	M0909-32012	91506045				2					E				
	M0909-33013A	91506012				2	A	B							
	M0909-30215	52506014				2			C	D					
	M0909-32016	93006012				2						E			
	M0909-32013	51506045				2							F	G	
	M0909-30215	52506014				4								H	I
18	前輪殼(HUB, DRIVE AXLE)														
	30424A					2	A	B							
	30880C					2			C	D					
	31007					2					E				
19	特殊螺栓(BOLT)														
	30425B					16	A	B	C	D	E				

前輪軸系統
A332
DRIVE AXLE SYSTEM

前輪傳動軸
A332-3
WHEEL DRIVE AXLE

編號 NO.	零件名稱 (PARE NAME)										機號 BODY NO.	備註 REMARK					
	新碼 NEW PART NO.	舊碼 OLD PART NO.	規格 SPECIFICATION	互換性 I T C	應用日期 APPLIED DATE	數量 Q T Y	FB						FB (C)				
							1	1	2	2			3	1	1	2	2
5	8	0	5	0	5	8	0	5									
20	圓錐滾子軸承(BEARING)																
	M0909-33013	92502006				2		C	D			停用 (NOT USED)					
	M0909-32012	91506045				2	A	B		F	G						
	M0909-33013A	91506012				2		C	D								
	M0909-32015	92506012				2			E								
21	塑膠油封(SEAL)																
	M0702018	91506050				2	A	B		F	G						
	M0702019	92506044				2		C	D								
	M0702045	93006035				2			E	H	I						
22	鎖定螺帽(NUT)																
	32239	51506046				2	A	B		F	G						
	32237	32506015A				2		C	D								
	32238	33006015B				2			E	H	I						
23	止動環(RING, STOP)																
	32240	31506047				2	A	B		F	G						
	32241	32506016				2		C	D								
	32242	33006016				2			E	H	I						
24	彈簧墊圈3號(SPRING WASHER)																
	M1605-M18	92506004				8	A	B	C	D	E	停用 (NOT USED) 停用 (NOT USED)					
	M1605-M12	92501024				18					H		I				
	M1605-M8	92501019				8		C	D								
25	六角頭螺栓(BOLT)																
	M1424-M8*16	92501014				8	A	B	C	D	E	停用 (NOT USED) 停用 (NOT USED) 停用 (NOT USED)					
		92520922				8				F	G						
		92520922				4					H		I				
	M1424-M8*12					4	A	B		E	F		G	H	I		
	M1424-M8*16	92501014				4		C	D								
26	防油襯墊(GASKET)																
	30426					2	A	B				停用 (NOT USED)					
	32243	72506019				2		C	D	F	G						
	31181					2			E								
	32245B					2				H	I						
27	前輪軸(DRIVE AXLE)																
	30427A					2	A	B									
	32249	32506024A				2		C	D								
	31011					2			E								
	32251	51506024				2				F	G						
	31448					2				H	I						

前輪軸系統
A332
DRIVE AXLE SYSTEM

前輪傳動軸
A332-3
WHEEL DRIVE AXLE

編號 NO.	零件名稱 (PARE NAME)										機號 BODY NO.	備註 REMARK				
	新碼 NEW PART NO.	舊碼 OLD PART NO.	規格 SPECIFICATION	互換性 I T C	應用日期 APPLIED DATE	數量 Q T Y	FB						FB〔C〕			
							A	B	C	D			E	F	G	H
28	車輪螺栓(BOLT)															
	32265	52506023				12					H	I				
29	O形環(O-RING)															
	M0801-G125					1	A	B	C	D	E	F	G	H	I	
30	行走馬達(TRACTION MOTOR)															
	E2106001	30428	48V			1	A	B				F	G			停用(NOT USED)
	E2106011		80V			1			C	D	E					停用(NOT USED)
	E2106019		45V			1	A	B								停用(NOT USED)
	E2106020		80V			1			C	D	E					停用(NOT USED)
	E2106015		48V			1						F	G			停用(NOT USED)
	E2106023		48V			1								H	I	停用(NOT USED)
	E2102006		48V			1	A	B	C	D	F	G	H	I		SME
	E2102007		80V			1				E						SME
31	六角頭螺栓(BOLT)															
	32254	32506049A				5	A	B	C	D	E	F	G	H	I	
32	彈簧墊圈3號(SPRING WASHER)															
	M1605-M10	92501218				5	A	B	C	D	E	F	G	H	I	
33	馬達支撐板(FIXED PLANK)															
	30429					1	A	B				F	G			停用(NOT USED)
	30429A				2008/05	1	A	B				F	G			停用(NOT USED)
	31019					1			C	D	E			H	I	停用(NOT USED)
	31019A					1	A	B	C	D	E	F	G	H	I	停用(NOT USED)
	30429B				2009/06	1	A	B				F	G			
	31019B				2008/05	1			C	D	E			H	I	
34	黃油嘴(GREASE, NIPPLE)															
	M1321-M10	92503015				1						F	G	H	I	
35	碳刷(CARBON BRUSH)															
	E2106001P01	30421				4	A	B				F	G			停用(NOT USED)
	E2106019P01					4	A	B								停用(NOT USED)
	E2106020P02					4			C	D	E					停用(NOT USED)
	E2106023P01	31893				4								H	I	停用(NOT USED)
36	定位環(RING, FOR SUPPORTING)															
	32266	52506045				1								H	I	
37	前車殼防塵蓋(COVER)															
	32267	52506010				2								H	I	
38	O形環(O-RING)															
	M0801-G145	52506047				2								H	I	
39	油封(OIL SEAL)															
	M0706004	52506007				2								H	I	

前輪軸系統
A332
DRIVE AXLE SYSTEM

前輪傳動軸

A332-3

WHEEL DRIVE AXLE

編號 NO.	零件名稱 (PARE NAME)				FB					FB (C)			機號 BODY NO.	備註 REMARK			
	新碼 NEW PART NO.	舊碼 OLD PART NO.	規格 SPECIFICATION	互換性 I T C	應用日期 APPLIED DATE	數量 Q T Y	1	1	2	2	3	1			1	2	2
							A	B	C	D	E	F			G	H	I
40	彈簧墊圈3號(SPRING WASHER)																
	M1605-M8	92501019				12							H	I			
41	六角頭螺栓(BOLT)																
	M1424-M12*40	94010156				16	A	B									
42	油封固定環(FIXED RING)																
	30423					2	A	B							停用(NOT USED)		
43	六角螺帽(NUT)																
	M1502001	92504016				20			C	D							
44	彈簧墊圈3號(SPRING WASHER)																
	M1605-M10	92501218				20			C	D							
45	六角頭螺栓(BOLT)																
	32263	32506026				20			C	D							
46	錐形墊圈(WASHER)																
	32262	32506025				20			C	D							
47	六角頭螺栓(BOLT)																
	M1424-M12*40	94010156				16							H	I	停用(NOT USED)		
	32255	33006049				20			E								
	32254	32506049A				20				F	G						
	M1424-M12*40	94010156				20							H	I			
48	盤形華司(SPRING WASHER)																
	32226	32506008A				10	A	B			F	G					
	32226	32506008A				16			C	D	E		H	I			
49	前輪鋼圈(RIM, FRONT WHEEL)																
	32268	51506030A				2					F	G					
	32269	52506030				2							H	I			
50	特殊螺帽(NUT)																
	32272	31506033				2					F	G			停用(NOT USED)		
	32344	32504021				2					F	G					
	32273	52506033				2							H	I			
51	實心輪胎(SOLID TIRE, FRONT WHEEL)																
	32275	51506021				2					F	G					
	32276	52506021				2							H	I			
52	六角頭螺栓(BOLT)																
	M1424-M8*20	92504208				12							H	I			
53	鋼索固定片(STEEL FIXING)																
	34843	92512130A				1	A	B	C	D	E	F	G	H	I		
54	平墊圈(WASHER)																
	M1602021	92512812				2	A	B	C	D	E	F	G	H	I		

前輪軸系統
A332
DRIVE AXLE SYSTEM

前輪傳動軸

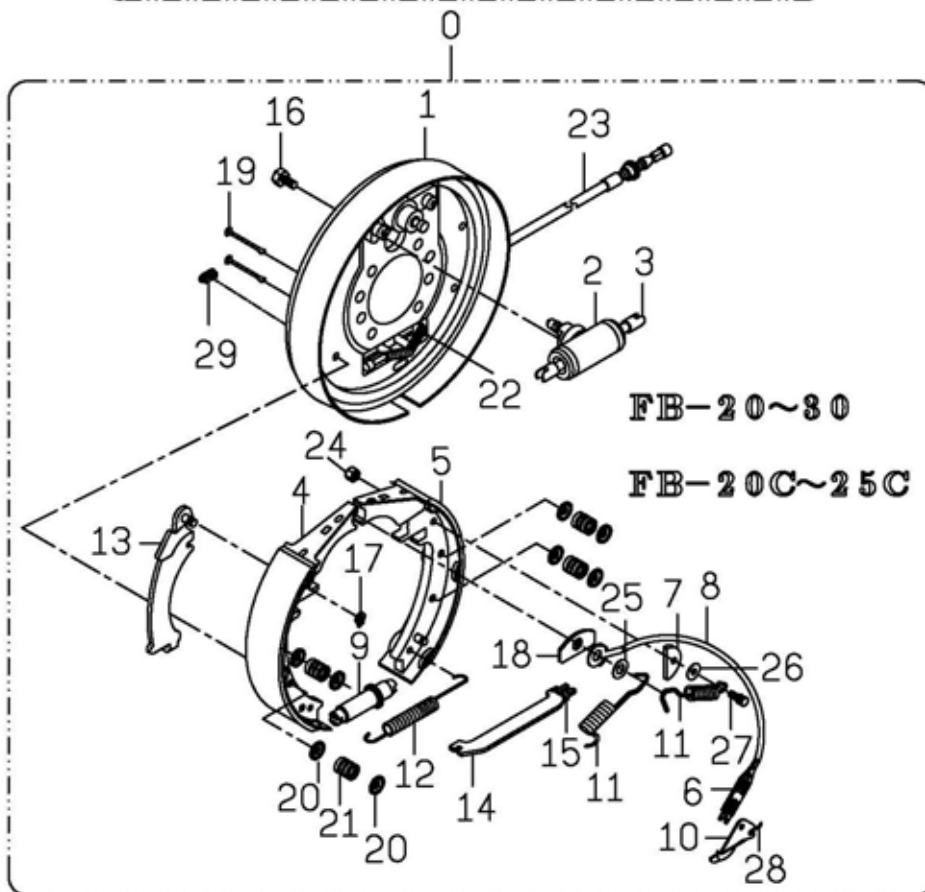
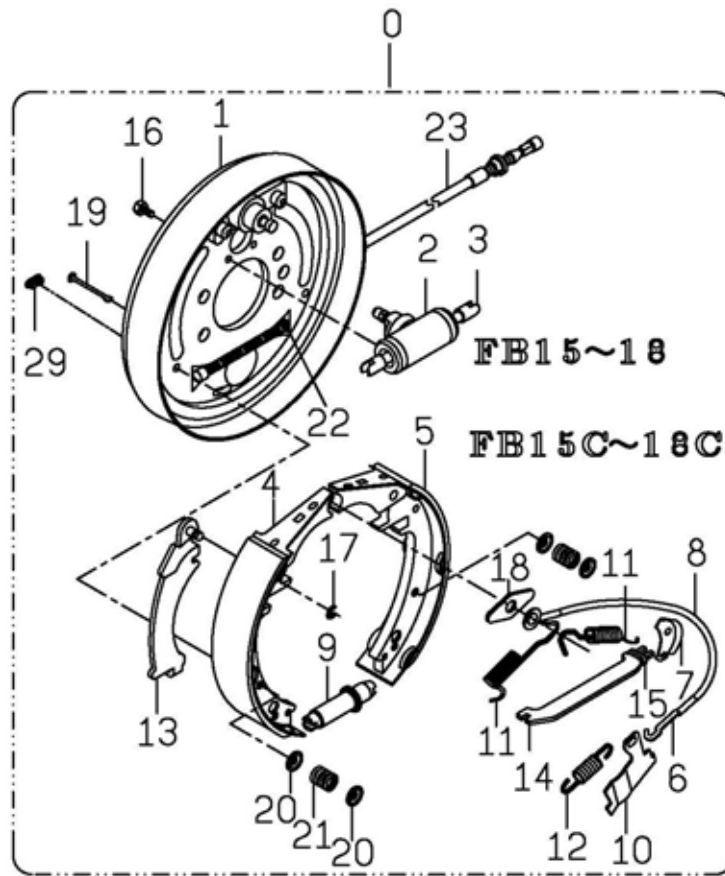
A332-3

WHEEL DRIVE AXLE

編號 NO.	零件名稱 (PARE NAME)				FB					FB (C)			機號 BODY NO.	備註 REMARK			
	新碼	舊碼	規格	互換性 I T C	應用日期	數量 Q T Y	1	1	2	2	3	1			1	2	2
	NEW PART NO.	OLD PART NO.	SPECIFICATION		APPLIED DATE		A	B	C	D	E	F			G	H	I
55	間隔板(CLEARANCE SFEEL)																
	3000394		48V			1	A	B	C	D	F	G	H	I			
	3000390		80V			1				E							
56	風罩(SHROUD, FAN)																
	3000639		80V			1				E					停用(NOT USED)		
57	風扇底板(BOARD, FAN)																
	3000640		80V			1				E					停用(NOT USED)		
58	風扇(方型)(FAN)																
	E3805003		48V			2	A	B	C	D	F	G	H	I			
	E3805003		48V			1				E							
59	彈簧墊圈3號(SPRING WASHER)																
	M1605-M6	92503218				4				E							
60	六角承窩頭螺栓(BOLT)																
	M1401-M6*16					4				E							
61	平墊圈(WASHER)																
	M1602-M4-2					8	A	B	C	D	F	G	H	I			
	M1602-M4-2					4				E							
62	平墊圈(WASHER)																
	M1602-M4					8	A	B	C	D	F	G	H	I			
	M1602-M4					4				E							
63	十字有槽螺釘(BOLT)																
	M1414-M4*50					8	A	B	C	D	F	G	H	I			
	M1414-M4*50					4				E							
64	風罩(SHROUD, FAN)																
	3000626		48V			1	A	B	C	D	F	G	H	I			
65	六角頭螺栓(BOLT)																
	M1401034					8	A	B	C	D	F	G	H	I			
66	六角承窩頭螺栓(BOLT)																
	M1401026-25					8				E							
67	風扇底板(BOARD, FAN)																
	3001554				2009/11	1				E					停用(NOT USED)		
	3001554A				2011/02	1				E					停用(NOT USED)		
	3001554B				2011/04	1				E							

前輪軸系統
A332
DRIVE AXLE SYSTEM

煞車襯板組
A332-4
WHEEL BRAKE ASSY



前輪軸系統
A332
DRIVE AXLE SYSTEM

煞車襯板組
A332-4
WHEEL BRAKE ASSY

編號 NO.	零件名稱 (PARE NAME)										機號 BODY NO.	備註 REMARK				
	新碼 NEW PART NO.	舊碼 OLD PART NO.	規格 SPECIFICATION	互換性 I T C	應用日期 APPLIED DATE	數量 Q T Y	FB						FB (C)			
							1	1	2	2			3	1	1	2
A	B	C	D	E	F	G	H	I								
0	煞車襯板總成(左)(WHEEL BRAKE ASSY)(L)											停用 (NOT USED)				
	B350034	42506039				1		C	D	E			H	I		
	B350033	41506039				1	A	B			F		G			
	B350034A					1		C	D	E			H	I		
0	煞車襯板總成(右)(WHEEL BRAKE ASSY)(R)											停用 (NOT USED)				
	B350032	42506006				1		C	D	E			H	I		
	B350031	41506006				1	A	B			F		G			
	B350032A					1		C	D	E			H	I		
1	煞車襯板(左)(BACKP-LATE)(L)											停用 (NOT USED)				
	32280	72506201				1		C	D	E			H	I		
	32279	71506201				1	A	B			F		G			
	32280A					1		C	D	E			H	I		
1	煞車襯板(右)(BACKP-LATE)(R)											停用 (NOT USED)				
	32282	72506232				1		C	D	E			H	I		
	32281	71506232				1	A	B			F		G			
	32282A					1		C	D	E			H	I		
2	煞車分泵(BRAKE CYLINDER)															
	32283	91506102				2	A	B			F		G			
	32284	92506202				2		C	D	E			H	I		
3	頂桿(LINK)															
	32285	32506207				4	A	B	C	D	E		F	G	H	I
4	煞車蹄片(前)(BRAKE SHOELINING ASSY, F)															
	32286	91506128				4	A	B			F		G			
	32287	92506210				2		C	D	E			H	I		
5	煞車蹄片(後-左)(BRAKE SHOELINING, REAR-L)															
	32288	92506211				1		C	D	E			H	I		
5	煞車蹄片(後-右)(BRAKE SHOELINING, REAR-R)															
	32289	92506233				1		C	D	E			H	I		
6	裝配彈簧(Spring & Connector)															
	32290	91506113				2	A	B			F		G			
	32291	92506213				2		C	D	E			H	I		
7	引導板(GUIDE BOARD)															
	32292	91506241				2	A	B			F		G			
	32293	92506241				2		C	D	E			H	I		
8	引導桿(GUIDE)															
	32294	91506212				2	A	B			F		G			
	32295	92506212				2		C	D	E			H	I		

前輪軸系統
A332
DRIVE AXLE SYSTEM

煞車襯板組
A332-4
WHEEL BRAKE ASSY

編號 NO.	零件名稱 (PART NAME)										機號 BODY NO.	備註 REMARK				
	新碼 NEW PART NO.	舊碼 OLD PART NO.	規格 SPECIFICATION	互換性 I T C	應用日期 APPLIED DATE	數量 Q T Y	FB						FB (C)			
							1	1	2	2			3	1	1	2
A	B	C	D	E	F	G	H	I								
9	調整具(左)(ADJUSTER TOOL)(L)											停用 (NOT USED)				
	32297	92506214				1		C	D	E			H	I		
	32296	91506114				1	A	B			F		G			
	32297A					1		C	D	E			H	I		
9	調整具(右)(ADJUSTER TOOL)(R)											停用 (NOT USED)				
	32299	92506234				1		C	D	E			H	I		
	32298	91506134				1	A	B			F		G			
	32299A					1		C	D	E			H	I		
10	引動板(左)(LEVER)(L)															
	32300	91506115				1	A	B			F		G			
	32301	92506215				1		C	D	E			H	I		
10	引動板(右)(LEVER)(R)															
	32302	91506135				1	A	B			F		G			
	32303	92506235				1		C	D	E			H	I		
11	彈簧(左)(SPRING)(L)															
	32304	91506117				2	A	B			F		G			
	32305	92506217				2		C	D	E			H	I		
11	彈簧(右)(SPRING)(R)															
	32306	91506237				2	A	B			F		G			
	32307	92506237				2		C	D	E			H	I		
12	彈簧 (SPRING)															
	32308	91506118				2	A	B			F		G			
	32309	92506218				2		C	D	E			H	I		
13	調整板(左)(LEVER)(L)															
	32310	91506119				1	A	B			F		G			
	32311	92506219				1		C	D	E			H	I		
13	調整板(右)(LEVER)(R)															
	32312	91506138				1	A	B			F		G			
	32313	92506238				1		C	D	E			H	I		
14	支桿(左)(SUPPORT ROD)(L)															
	32314	91506120				1	A	B			F		G			
	32315	92506220				1		C	D	E			H	I		
14	支桿(右)(SUPPORT ROD)(R)															
	32316	91506139				1	A	B			F		G			
	32317	92506239				1		C	D	E			H	I		
15	彈簧 (SPRING)															
	32318	92506250				2	A	B			F		G			
	32319	92506221				2		C	D	E			H	I		

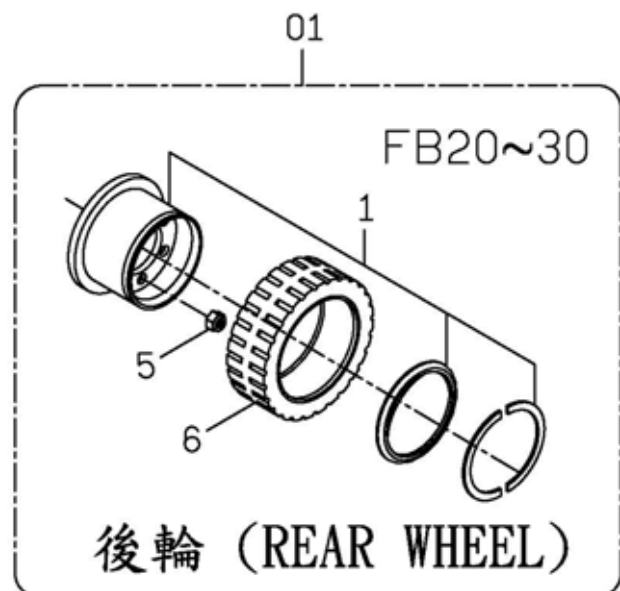
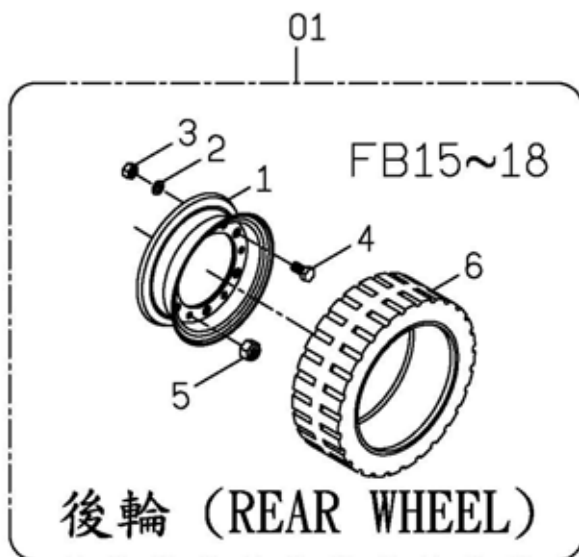
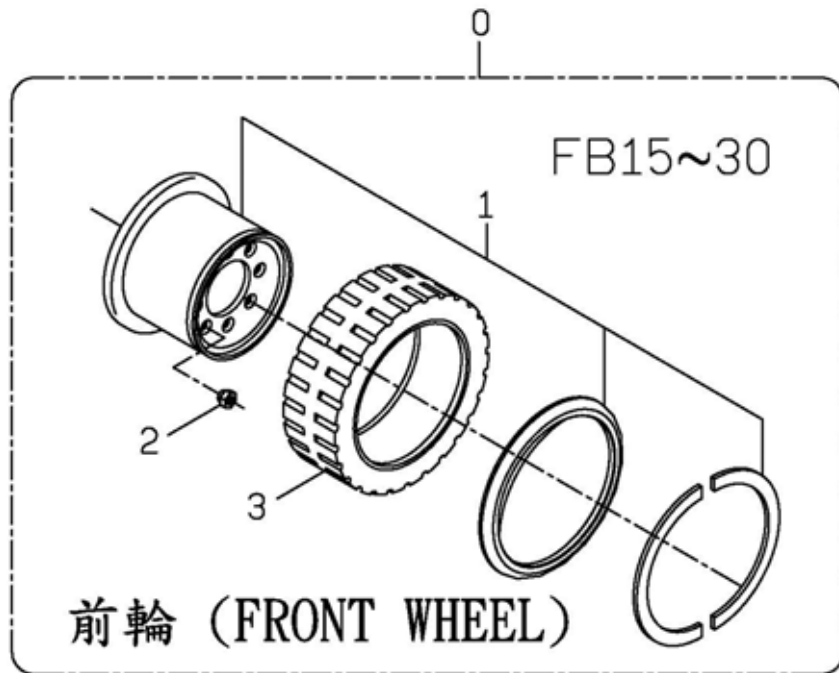
前輪軸系統
A332
DRIVE AXLE SYSTEM

煞車襯板組
A332-4
WHEEL BRAKE ASSY

編號 NO.	零件名稱 (PARE NAME)				FB					FB (C)			機號 BODY NO.	備註 REMARK			
	新碼	舊碼	規格	互換性 I T C	應用日期 APPLIED DATE	數量 Q T Y	1	1	2	2	3	1			1	2	2
	NEW PART NO.	OLD PART NO.	SPECIFICATION				A	B	C	D	E	F			G	H	I
16	六角頭螺栓(BOLT)																
	32320	92561010				4	A	B			F	G					
	M1424-M8*20	92504208				4		C	D	E		H	I				
17	扣環(SNAP RING)																
	32321	92506125				2	A	B			F	G					
	32322	92506224				2		C	D	E		H	I				
18	墊板(PLATE)																
	32323	92506122				2	A	B			F	G					
	32324	92506225				2		C	D	E		H	I				
19	銷(PIN)																
	32325	92506113				4	A	B			F	G					
	32326	92506226				8		C	D	E		H	I				
20	蓋(CAP)																
	32327	92506227				8	A	B	C	D	E	F	G	H	I		
21	彈簧(SPRING)																
	32328	92506228				4	A	B	C	D	E	F	G	H	I		
22	E形扣環(SNAP RING "E")																
	32329	92506230				2	A	B	C	D	E	F	G	H	I		
23	手煞車線(左)(PARKING CABLE)(L)																
	32330	92512120				1	A	B			F	G					
	32331	92512128A				1		C	D	E		H	I				
23	手煞車線(右)(PARKING CABLE)(R)																
	32332	92512121				1	A	B			F	G					
	32333	92512129A				1		C	D	E		H	I				
24	螺帽(NUT)																
	32334	92506242				1		C	D	E		H	I				
25	平墊圈(WASHER)																
	32335	92506243				1		C	D	E		H	I				
26	平墊圈(WASHER)																
	32336	92506244				1		C	D	E		H	I				
27	螺栓(BOLT)																
	32337	92506245				1		C	D	E		H	I				
28	彈簧(左)(SPRING)(L)																
	32338	92506216				2		C	D	E		H	I				
28	彈簧(右)(SPRING)(R)																
	32339	92506236				2		C	D	E		H	I				
29	煞車孔塞(PLUG)																
	34867	92506229			2006/09	2	A	B	C	D	E	F	G	H	I		

前輪軸系統
A332
DRIVE AXLE SYSTEM

輪胎組
A332-5
TIRE ASSY



前輪軸系統
A332
DRIVE AXLE SYSTEM

輪胎組
A332-5
TIRE ASSY

編號 NO.	零件名稱 (PARE NAME)				FB					FB (C)			機號 BODY NO.	備註 REMARK			
	新碼 NEW PART NO.	舊碼 OLD PART NO.	規格 SPECIFICATION	互換性 I T C	應用日期 APPLIED DATE	數量 Q T Y	1	1	2	2	3	1			1	2	2
						A	B	C	D	E	F	G			H	I	
前輪 FRONT WHEEL																	
0	氣胎總成(PNEUMATIC TIRE ASSY)																
	B350886					2	A	B									
	B350887					2			C	D							
	B350888					2				E							
0	實心輪胎總成(SOLID TIRE ASSY)																
	B350889					2	A	B									
	B350826					2			C	D							
	B350894					2				E							
1	前輪鋼圈(RIM FRONT WHEEL)																
	30441					2	A	B									
	30881					2			C	D							
	31008					2				E							
2	特殊螺帽(NUT)																
	30442					16	A	B	C	D	E						
3	氣胎(PNEUMATIC TIRE, FRONT WHEEL)																
	M1211007					2	A	B									
	M1211005					2			C	D	E						
3	實心輪胎(SOLID TIRE, FRONT WHEEL)																
	M1211008					2	A	B									
	M1211009					2			C	D	E						

前輪軸系統
A332
DRIVE AXLE SYSTEM

輪胎組
A332-5
TIRE ASSY

編號 NO.	零件名稱 (PART NAME)				FB					FB (C)			機號 BODY NO.	備註 REMARK			
	新碼 NEW PART NO.	舊碼 OLD PART NO.	規格 SPECIFICATION	互換性 I T C	應用日期 APPLIED DATE	數量 Q T Y	1	1	2	2	3	1			1	2	2
							A	B	C	D	E	F			G	H	I
後輪 REAR WHEEL																	
01	氣胎總成(PNEUMATIC TIRE ASSY)																
	B350035					2	A	B									
	B350859					2			C	D	E						
01	實心輪胎總成(SOLID TIRE ASSY)																
	B350038					2	A	B									
	B350827					2			C	D	E						
1	後輪鋼圈(RIM REAR WHEEL)																
	32340	31504025				2	A	B									
	30884					2			C	D	E			雙合式(DOUBLE COMBINE RIM)			
2	彈簧墊圈3號(SPRING WASHER)																
	M1605-M10	92501218				12	A	B									
3	六角螺帽(NUT)																
	M1502001	92504016				12	A	B									
4	特殊螺栓(BOLT)																
	M1424003	92520301				12	A	B						停用(NOT USED)			
	34588	91504029				12	A	B									
5	特殊螺帽(NUT)																
	32343	31504021A				12	A	B									
	32344	32504021				12			C	D	E						
6	氣胎(PNEUMATIC TIRE, REAR WHEEL)																
	32345	91504030				2	A	B									
	M1211006					2			C	D	E						
6	實心輪胎(SOLID TIRE, FRONT WHEEL)																
	M1211013					2	A	B									
	M1211010					2			C	D	E						

轉向系統

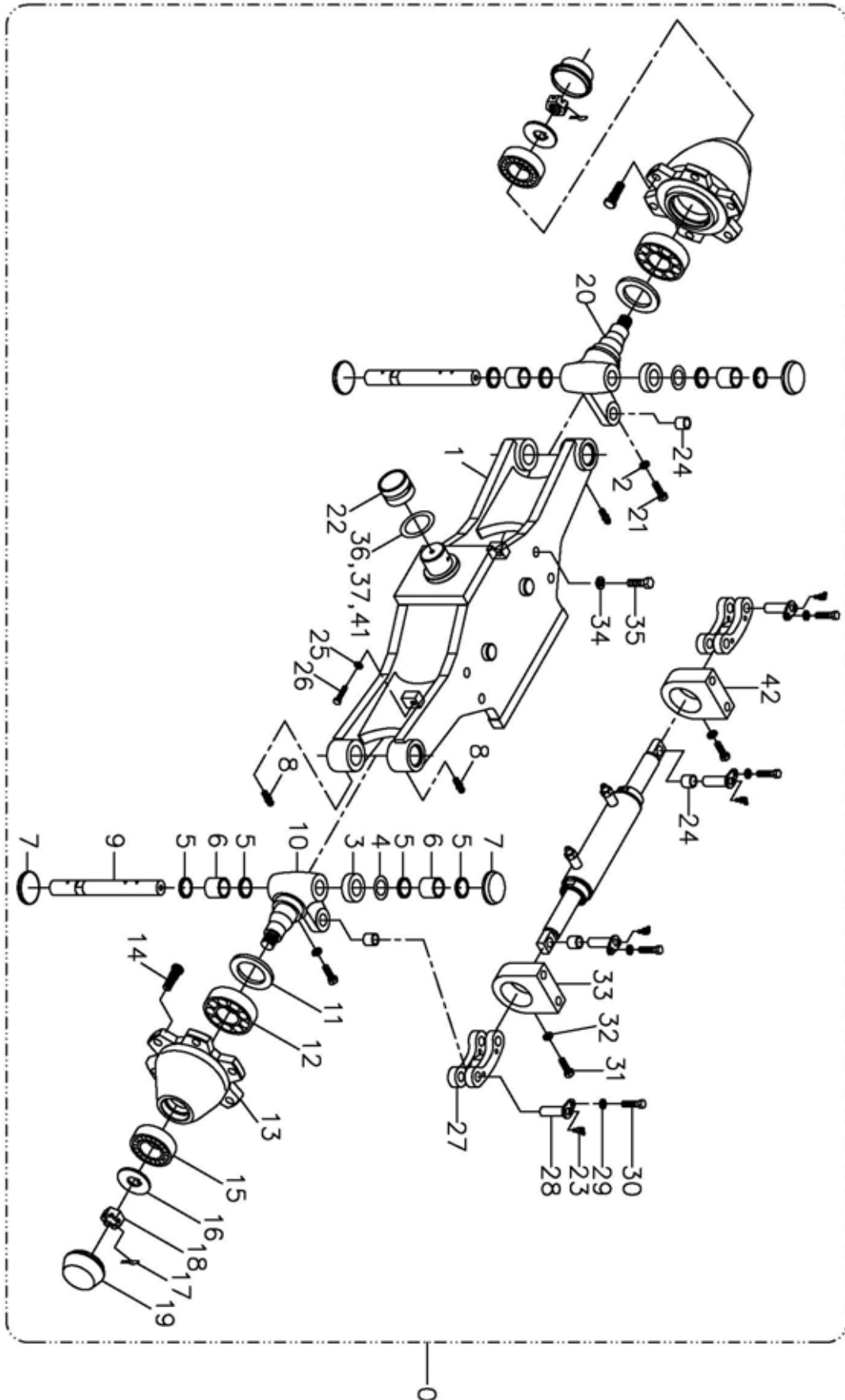
A333

STEERING

SYSTEM

轉向系統
A333
STEERING SYSTEM

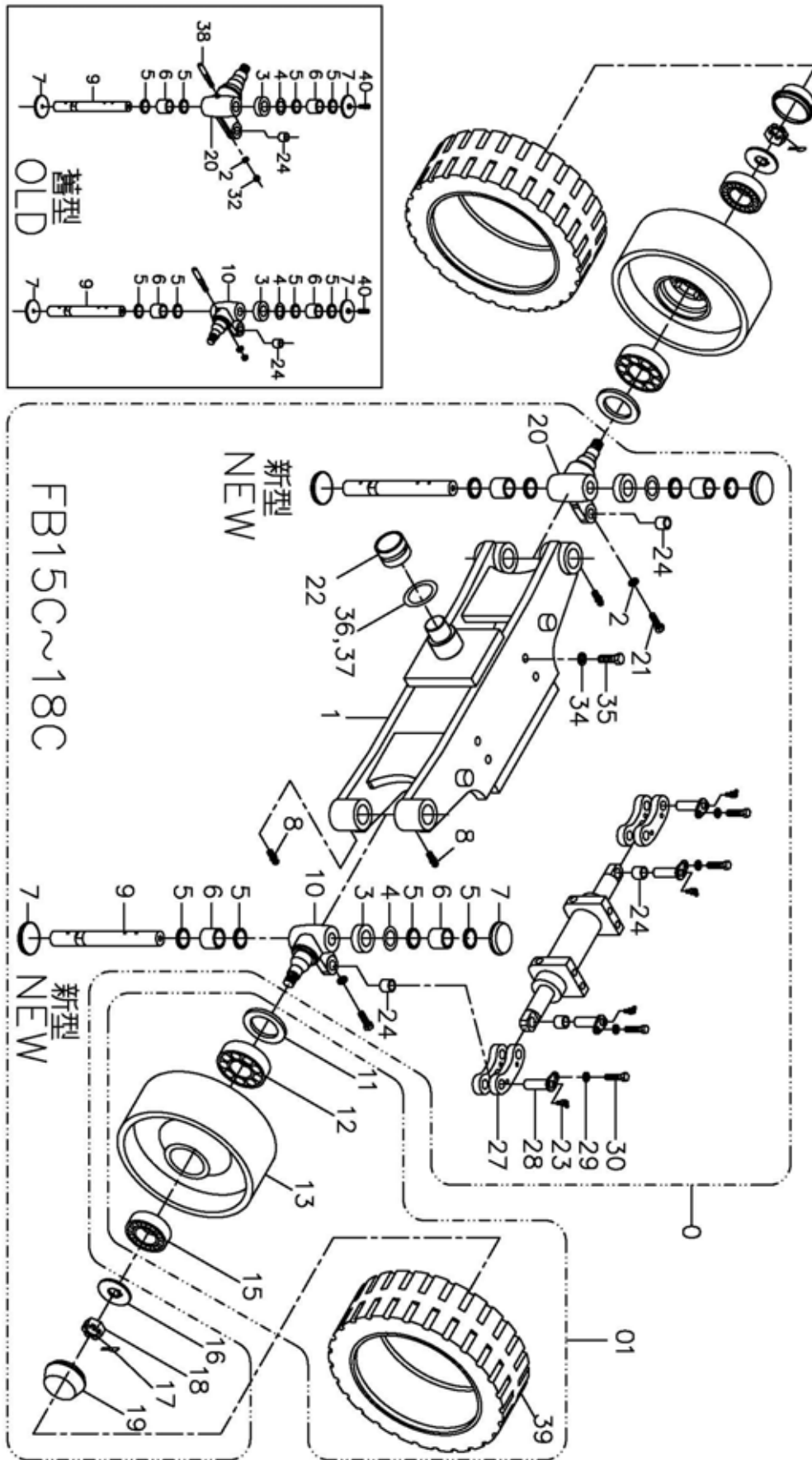
後輪樑組
A333-4
STEERING AXLE ASSY



A333-4-1

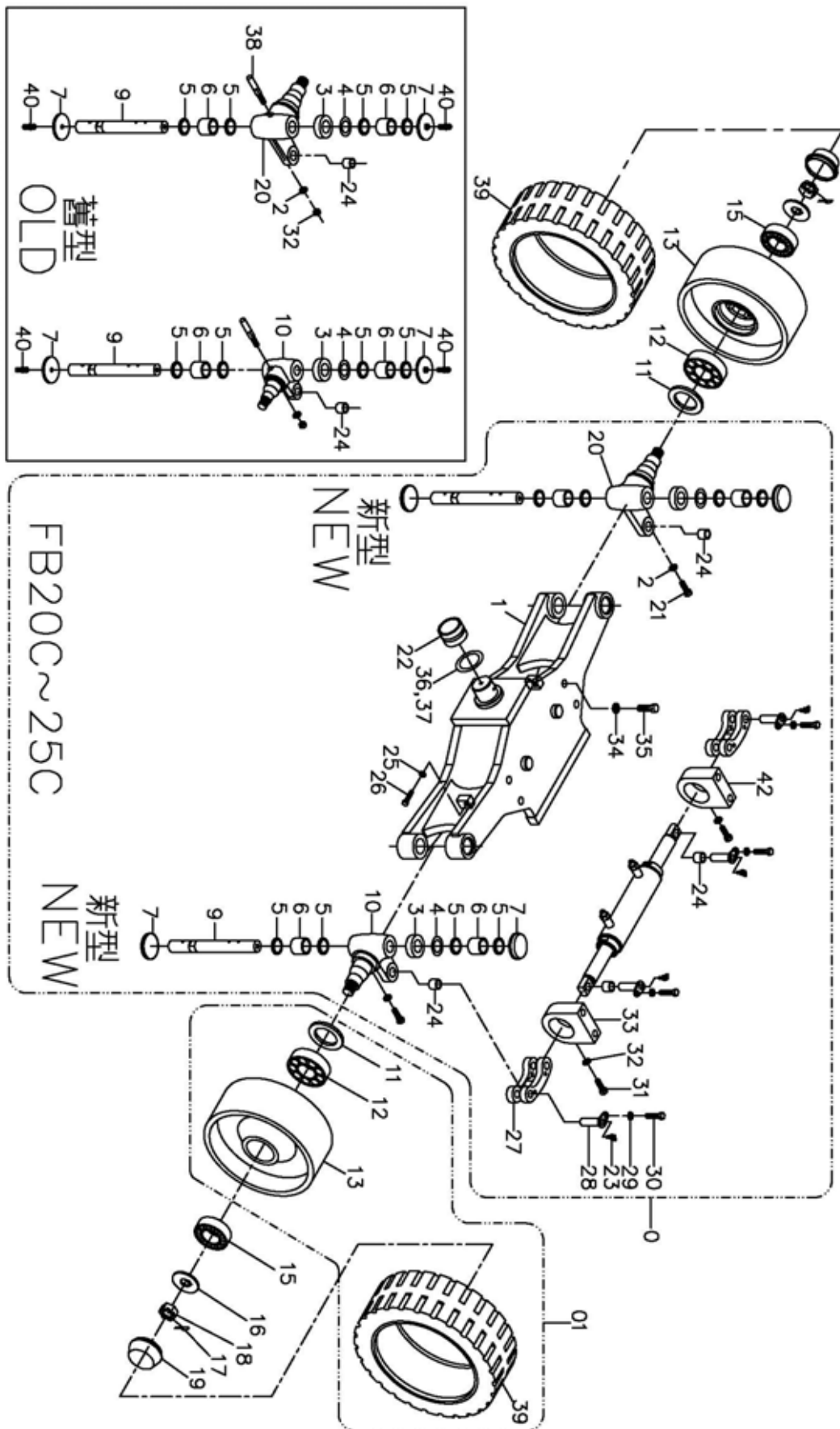
轉向系統 A333 STEERING SYSTEM

後輪樑組
A333-4
STEERING AXLE ASSY



轉向系統 A333 STEERING SYSTEM

後輪樑組
A333-4
STEERING AXLE ASSY



轉向系統
A333
STEERING SYSTEM

後輪樑組

A333-4

STEERING AXLE ASSY

編號 NO.	零件名稱 (PARE NAME)				FB					FB (C)			機號 BODY NO.	備註 REMARK			
	新碼 NEW PART NO.	舊碼 OLD PART NO.	規格 SPECIFICATION	互換性 I T C	應用日期 APPLIED DATE	數量 Q T Y	1	1	2	2	3	1			1	2	2
	A	B	C	D	E	F	G	H	I								
0	後輪樑總成(STEERING AXLE ASSY)																
	B350045	21504220				1	A	B									
	B351477					1		C	D	E							
	B350048					1					F	G					
	B350049					1						H	I				
01	實心輪胎總成組(SOLID TIRE ASSY)																
	B350041					2					F	G					
	B350911					2						H	I				
1	後輪樑座(AXLE, REAR)																
	32369	22504300				1		C	D	E							
	32368	21504300A				1	A	B									
	32369A				2011/03	1		C	D	E							
	32370	51504001				1					F	G					
	32371	52504001				1						H	I				
2	彈簧墊圈3號(SPRING WASHER)																
	M1605-M10	92501218				2	A	B	C	D	E						
		92504017				2						F	G	H	I		
3	止推滾子軸承(BEARING)																
	M0907002	42504002				2	A	B	C	D	E	F	G	H	I		
4	填隙片(WASHER)																
	32373	42504003				2	A	B	C	D	E	F	G	H	I		
5	油封(OIL SEAL)																
	M0702027	42504005				8	A	B	C	D	E	F	G	H	I		
6	滾針軸承(BEARING)																
	M0905-TA2830Z	42504004				4	A	B	C	D	E	F	G	H	I		
7	防塵蓋(DUST COVER)																
	32378					4						H	I				
	32376	42504023				4	A	B	C	D	E		H	I			
	32377	51504207				4						F	G				
8	黃油嘴(GREASE, NIPPLE)																
	M1321-M10	92503015				4	A	B	C	D	E						
	M1321-M6	92512609				4						F	G				
9	轉向主軸(PIN, BELL CRANK)																
	32380	51504006				2						F	G				
	32381	32504006				2							H	I			
	32381A				2007/02	2							H	I			
	32379	42504024				2	A	B	C	D	E	F	G	H	I		

轉向系統
A333
STEERING SYSTEM

後輪樑組

A333-4

STEERING AXLE ASSY

編號 NO.	零件名稱 (PARE NAME)				FB					FB (C)			機號 BODY NO.	備註 REMARK			
	新碼	舊碼	規格	互換性 I T C	應用日期 APPLIED DATE	數量 Q T Y	1	1	2	2	3	1			1	2	2
	NEW PART NO.	OLD PART NO.	SPECIFICATION				A	B	C	D	E	F			G	H	I
0	後輪樑總成(STEERING AXLE ASSY)																
	B350045	21504220				1	A	B									
	B351477					1			C	D	E						
	B350048					1						F	G				
	B350049					1								H	I		
01	實心輪胎總成組(SOLID TIRE ASSY)																
	B350041					2						F	G				
	B350911					2								H	I		
1	後輪樑座(AXLE, REAR)																
	32369	22504300				1			C	D	E						
	32368	21504300A				1	A	B									
	32369A				2011/03	1			C	D	E						
	32370	51504001				1						F	G				
	32371	52504001				1								H	I		
2	彈簧墊圈3號(SPRING WASHER)																
	M1605-M10	92501218				2	A	B	C	D	E						
		92504017				2						F	G	H	I		
3	止推滾子軸承(BEARING)																
	M0907002	42504002				2	A	B	C	D	E	F	G	H	I		
4	填隙片(WASHER)																
	32373	42504003				2	A	B	C	D	E	F	G	H	I		
5	油封(OIL SEAL)																
	M0702027	42504005				8	A	B	C	D	E	F	G	H	I		
6	滾針軸承(BEARING)																
	M0905-TA2830Z	42504004				4	A	B	C	D	E	F	G	H	I		
7	防塵蓋(DUST COVER)																
	32378					4								H	I		
	32376	42504023				4	A	B	C	D	E				H		
	32377	51504207				4						F	G				
8	黃油嘴(GREASE, NIPPLE)																
	M1321-M10	92503015				4	A	B	C	D	E						
	M1321-M6	92512609				4						F	G				
9	轉向主軸(PIN, BELL CRANK)																
	32380	51504006				2						F	G				
	32381	32504006				2								H	I		
	32381A				2007/02	2								H	I		
	32379	42504024				2	A	B	C	D	E	F	G	H	I		

轉向系統 A333 STEERING SYSTEM

後輪樑組

A333-4

STEERING AXLE ASSY

編號 NO.	零件名稱 (PARE NAME)				FB					FB (C)			機號 BODY NO.	備註 REMARK			
	新碼	舊碼	規格	互換性 I T C	應用日期 APPLIED DATE	數量 Q T Y	1	1	2	2	3	1			1	2	2
	NEW PART NO.	OLD PART NO.	SPECIFICATION				A	B	C	D	E	F			G	H	I
10	轉向軸(左羊角)(KNUCKLE)(L)																
	32383	41504217				1	A	B									
	32384	42504217				1			C	D	E						
	32385	51504201A				1						F	G				
	32386	52504201				1								H	I		
11	防塵油封(DUST SEAL)																
	M0703001	92504011				2	A	B	C	D	E	F	G				
	31967	52504214				2								H	I		
12	圓錐滾子軸承(BEARING)																
	M0909-30209	91504012				2	A	B				F	G				
	M0909-32209	92504012				2			C	D	E			H	I		
13	後輪殼(HUB, REAR)																
	32388	31504019				2	A	B									
	32388A				2011/07	2	A	B									
	30883					2			C	D	E						
	32390	51504019				2						F	G				
	31467					2								H	I		
14	特殊螺栓(BOLT)																
	32394	31504018				12	A	B									
	32395	32504018				12			C	D	E						
15	圓錐滾子軸承(BEARING)																
	M0909-30306	92504020				2	A	B				F	G				
	M0909-32207	42504020				2			C	D	E						
	M0909-30207	52504005				2								H	I		
16	固定華司(WASHER)																
	32396	32504022				2	A	B	C	D	E	F	G	H	I		
17	開口銷(PIN, COTTER)																
	M1307003	92504024				2	A	B	C	D	E	F	G	H	I		
18	堡型螺帽(NUT)																
	32397	32504023				2	A	B	C	D	E	F	G	H	I		
19	防塵蓋(DUST COVER)																
	32398	32504027				2	A	B	C	D	E						
	32399	52504006				2						F	G	H	I		
20	轉向軸(右羊角)(KNUCKLE)(R)																
	32401	41504218				1	A	B									
	32402	42504218				1			C	D	E						
	32403	51504202A				1						F	G				
	32404	52504202				1								H	I		

轉向系統
A333
STEERING SYSTEM

後輪樑組

A333-4

STEERING AXLE ASSY

編號 NO.	零件名稱 (PARE NAME)				FB					FB (C)			機號 BODY NO.	備註 REMARK			
	新碼	舊碼	規格	互換性 I T C	應用日期 APPLIED DATE	數量 Q T Y	1	1	2	2	3	1			1	2	2
	NEW PART NO.	OLD PART NO.	SPECIFICATION				A	B	C	D	E	F			G	H	I
21	六角頭螺栓(BOLT)																
	32406	92504219				2	A	B	C	D	E	F	G	H	I		
22	電木軸承套(BAKELITE SLEEVE)																
	32407	32504001				2	A	B	C	D	E	F	G	H	I		
	32407A				2010/09	2	A	B	C	D	E	F	G	H	I		
23	黃油嘴(GREASE, NIPPLE)																
	M1321-M6*45	92504214				4	A	B	C	D	E	F	G	H	I		
24	軸承套(BUSHING)																
		92504204	Ø20			4						F	G	H	I		
	32408	42504204	Ø18			4	A	B	C	D	E	F	G	H	I		
25	六角螺帽(NUT)																
	M1501-M12	94004014				2	A	B	C	D	E		H	I			
26	六角頭螺栓(BOLT)																
	M1402-M12*50	94004013				2	A	B	C	D	E		H	I			
27	油壓連桿(JOINT ROD, CYLINDER)																
	32410	42504205B				2	A	B	C	D	E						
	34386	52504205				2						F	G	H	I		
28	支撐銷(PIN)																
		32504206	Ø20			4						F	G	H	I		
	32412	42504206	Ø18			4	A	B	C	D	E	F	G	H	I		
29	彈簧墊圈3號(SPRING WASHER)																
		92504207				4							H	I			
	M1605-M8	92501019				4	A	B	C	D	E	F	G	H	I		
30	六角頭螺栓(BOLT)																
	M1424-M8*20	92504208				4	A	B	C	D	E	F	G	H	I		
31	六角頭螺栓(BOLT)																
		92504209				2							H	I			
	M1424004	92501102				2	A	B	C	D	E		H	I			
32	六角螺帽(NUT)																
		92504210				2							H	I			
	M1502001	92504016				2	A	B	C	D	E		H	I			
33	油壓缸固定座-左(FASTENING SEAT, CYLINDER)(L)																
	32414	32504211A				1	A	B	C	D	E		H	I			
	32414A				2007/09	1	A	B	C	D	E		H	I			
34	彈簧墊圈3號(SPRING WASHER)																
	M1605-M16	92504212				4	A	B	C	D	E	F	G	H	I		
35	六角頭螺栓(BOLT)																
	M1423-M16*50	94004213				4							H	I			
	M1423022	92504213				4	A	B	C	D	E	F	G	H	I		

A333-4-6

轉向系統
A333
STEERING SYSTEM

後輪樑組

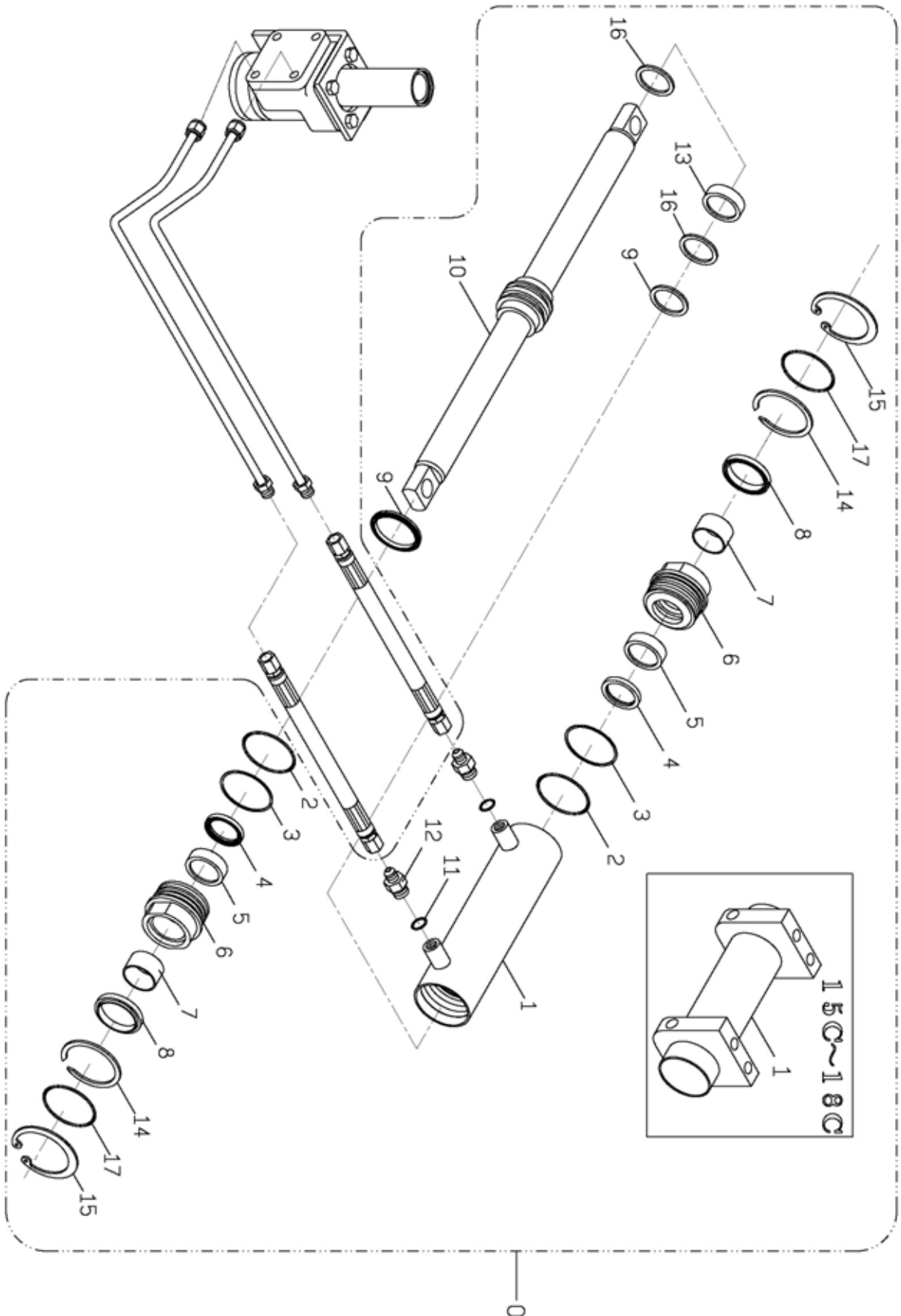
A333-4

STEERING AXLE ASSY

編號 NO.	零件名稱 (PARE NAME)										機號 BODY NO.	備註 REMARK				
	新碼 NEW PART NO.	舊碼 OLD PART NO.	規格 SPECIFICATION	互換性 I T C	應用日期 APPLIED DATE	數量 Q T Y	FB						FB (C)			
							1	1	2	2			3	1	1	2
5	8	0	5	0	5	8	0	5								
A	B	C	D	E	F	G	H	I								
36	填隙片(WASHER)															
	32415	32504015				N	A	B	C	D	E	F	G	H	I	0.5t
37	填隙片(WASHER)															
	32416	32504055				N	A	B	C	D	E					1t
38	定位軸銷(PIN KING PIN LOCK)															
	32417	32504010				2						F	G	H	I	停用(NOT USED)
39	實心輪胎(SOLID TIRE, REAR WHEEL)															
	32422	51504010				2						F	G			
	32423	52504010				2								H	I	
40	黃油嘴(GREASE, NIPPLE)															
		92504007				4								H	I	停用(NOT USED)
41	填隙片(WASHER)															
	34608					N	A	B	C	D	E					2t
42	油壓缸固定座-右(FASTENING SEAT, CYLINDER)(R)															
	35683					1	A	B	C	D	E			H	I	

轉向系統
A333
STEERING SYSTEM

轉向油壓缸組
A333-5
STEERING CYLINDER ASSY



A333-5-1

轉向系統 A333 STEERING SYSTEM

轉向油壓缸組

A333-5

STEERING CYLINDER ASSY

編號 NO.	零件名稱 (PARE NAME)				FB					FB (C)			機號 BODY NO.	備註 REMARK			
	新碼	舊碼	規格	互換性 I T C	應用日期 APPLIED DATE	數量 Q T Y	1	1	2	2	3	1			1	2	2
	NEW PART NO.	OLD PART NO.	SPECIFICATION				A	B	C	D	E	F			G	H	I
0	轉向油壓缸組(CYLINDER, STEERING ASSY)																
	B351512					1	A	B				H	I				
	B351366					1		C	D	E							
	B351513					1					F	G					
1	轉向油壓缸體(CYLINDER BODY)																
	32426	42505201				1	A	B				H	I				
	32427	43005201				1		C	D	E							
	32428	51505201				1					F	G					
2	O形環(O-RING)																
	M0801-G65B	42505204				2	A	B			F	G	H	I			
	M0801-G70B	44005220				2		C	D	E							
3	背托環(BRACKET RING)																
	M0802010	42505205				2	A	B			F	G	H	I			
	M0802011	44005205				2		C	D	E							
4	油封(OIL SEAL)																
	M0803004	42505203				2	A	B	C	D	E	F	G	H	I		
5	背托環(BRACKET RING)																
	M0802005	42505219				2	A	B	C	D	E	F	G	H	I		
6	軸蓋(COLLAR, ROD)																
	32429	42505206				2	A	B				H	I				
	32430	43005206				2		C	D	E							
	32431	51505206				2					F	G					
7	自潤軸套(SLEEVE)																
	32432	42505202				2	A	B	C	D	E	F	G	H	I		
8	防塵油封(DUST SEAL)																
	M0807005	42505207				2	A	B	C	D	E	F	G	H	I		
9	油封(OIL SEAL)																
	M0803007	42505209				2	A	B			F	G	H	I			
	M0803008	42507403				2		C	D	E							
10	油壓缸心軸(SPINDLE, CYLINDER)																
	32433	41505208				1	A	B				H	I				
	31422					1		C	D	E							
	32436	51505208				1					F	G					
11	O形環(O-RING)																
	M0801-P12	92507304				2	A	B	C	D	E		H	I			
	M0801-P16	92505211				2					F	G					
	M0801-AS906					2	A	B	C	D	E	F	G	H	I		

轉向系統
A333
STEERING SYSTEM

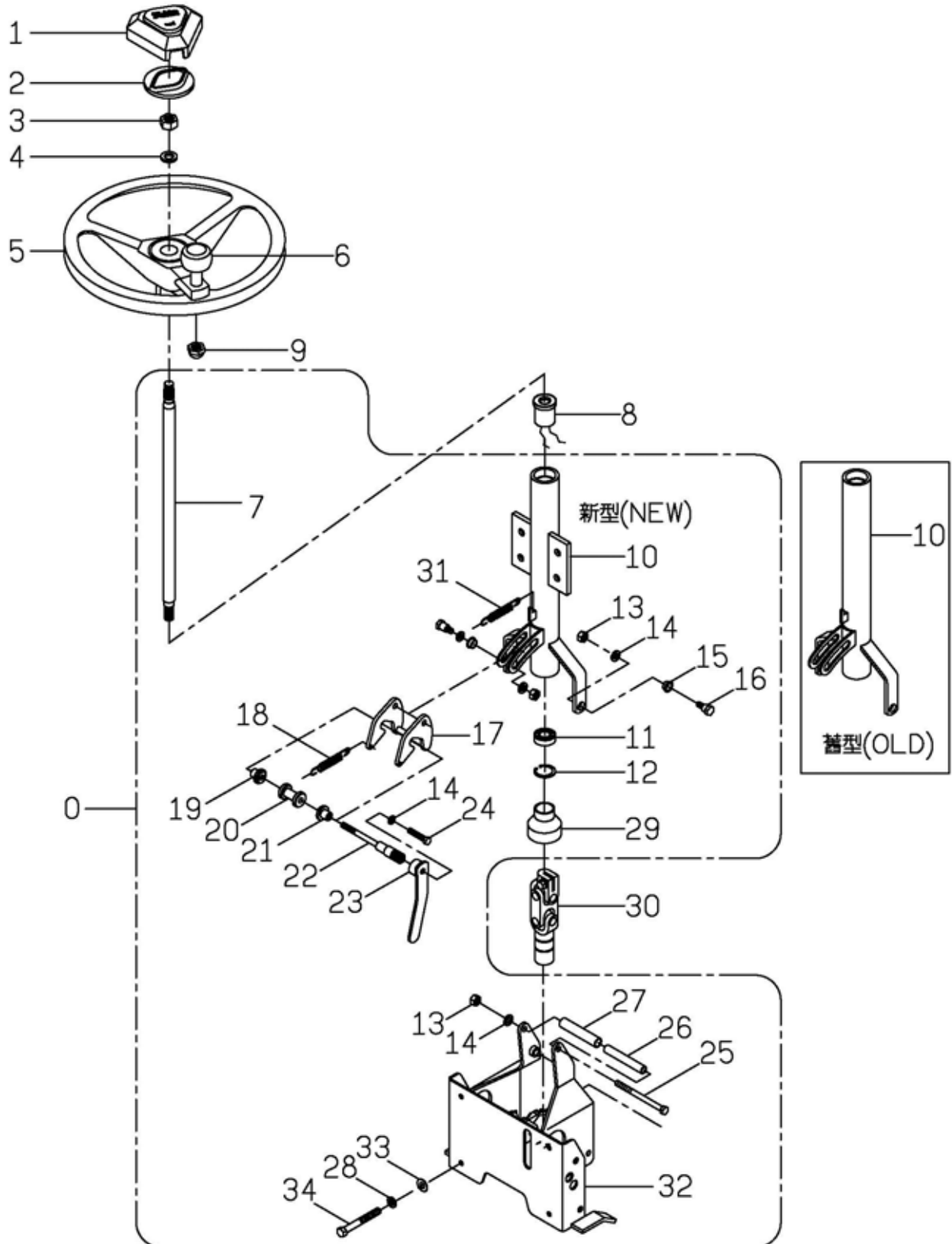
轉向油壓缸組
A333-5

STEERING CYLINDER ASSY

編號 NO.	零件名稱 (PARE NAME)				FB					FB (C)			機號 BODY NO.	備註 REMARK			
	新碼 NEW PART NO.	舊碼 OLD PART NO.	規格 SPECIFICATION	互換性 I T C	應用日期 APPLIED DATE	數量 Q T Y	1	1	2	2	3	1			1	2	2
							A	B	C	D	E	F			G	H	I
12	接頭(CONNECTOR)																
	32437	92508019A				2	A	B	C	D	E		H	I			
	32438	32505212				2						F	G				
13	耐磨環(RING, WEARPROOF)																
	30990					1			C	D	E						
	M0923015					1	A	B				F	G	H	I		
14	彈簧扣環(SNAP RING)																
		51505219				2						F	G				
15	C形扣環(SNAP RING "C")																
		44005223				2						F	G				
16	背托環(BRACKET RING)																
	M0802028					2	A	B					H	I			
17	O形環(O-RING)																
	M0801-S62					2						F	G				

轉向系統 A333 STEERING SYSTEM

懸吊組
A333-6
STEERING WHEEL ASSY



轉向系統 A333 STEERING SYSTEM

懸吊組

A333-6

STEERING WHEEL ASSY

編號 NO.	零件名稱 (PARE NAME)										機號 BODY NO.	備註 REMARK					
	新碼 NEW PART NO.	舊碼 OLD PART NO.	規格 SPECIFICATION	互換性 I T C	應用日期 APPLIED DATE	數量 Q T Y	FB						FB (C)				
							1	1	2	2			3	1	1	2	2
							A	B	C	D	E	F	G	H	I		
0	懸吊組(STEERING WHEEL ASSY)																
	B350089	22512491				1	A	B	C	D	E	F	G	H	I		停用(NOT USED)
	B350765	22512494				1	A	B	C	D	E	F	G	H	I		停用(NOT USED)
	B352396					1	A	B	C	D	E	F	G	H	I		SME
1	方向盤護蓋(COVER)																
	32439	92512481				1	A	B	C	D	E	F	G	H	I		停用(NOT USED)
	34156	32512481				1	A	B	C	D	E	F	G	H	I		
2	橡膠墊片(RUBBER SPACER)																
	32440	32512487				1	A	B	C	D	E	F	G	H	I		
3	六角螺帽(NUT)																
	M1502003	92507428				1	A	B	C	D	E	F	G	H	I		
4	彈簧墊圈3號(SPRING WASHER)																
	M1605-M14	92506020				1	A	B	C	D	E	F	G	H	I		
5	方向盤(STEERING WHEEL)																
	32441	92512482				1	A	B	C	D	E	F	G	H	I		
6	方向盤把頭(KNOB STEERING WHEEL)																
	32442	92512480				1	A	B	C	D	E	F	G	H	I		
7	方向盤心軸(SPINDLE)																
	32443					1	A	B	C	D	E	F	G	H	I		停用(NOT USED)
	34847					1	A	B	C	D	E	F	G	H	I		
8	防塵套筒(SLEEVE)																
	32444	92512405				1	A	B	C	D	E	F	G	H	I		
9	六角蓋形螺帽(NUT)																
	34157	92512479				1	A	B	C	D	E	F	G	H	I		
10	方向套管組(SLEEVE ASSY)																
	32446	32512484				1	A	B	C	D	E	F	G	H	I		停用(NOT USED)
	34846					1	A	B	C	D	E						停用(NOT USED)
	3000230				2008/11	1	A	B	C	D	E						SME
	34846					1						F	G	H	I		
11	深槽滾珠軸承(BEARING)																
	M0901-6003ZZ	92516414				1	A	B	C	D	E	F	G	H	I		
12	扣環(SNAP RING)																
	M1312-R35					1	A	B	C	D	E	F	G	H	I		
13	六角螺帽(NUT)																
		92512436				3	A	B	C	D	E	F	G	H	I		
14	彈簧墊圈3號(SPRING WASHER)																
	M1605-M8	92501019				6	A	B	C	D	E	F	G	H	I		
15	套筒(SLEEVE)																
	32447	32512409				2	A	B	C	D	E	F	G	H	I		

轉向系統
A333
STEERING SYSTEM

懸吊組

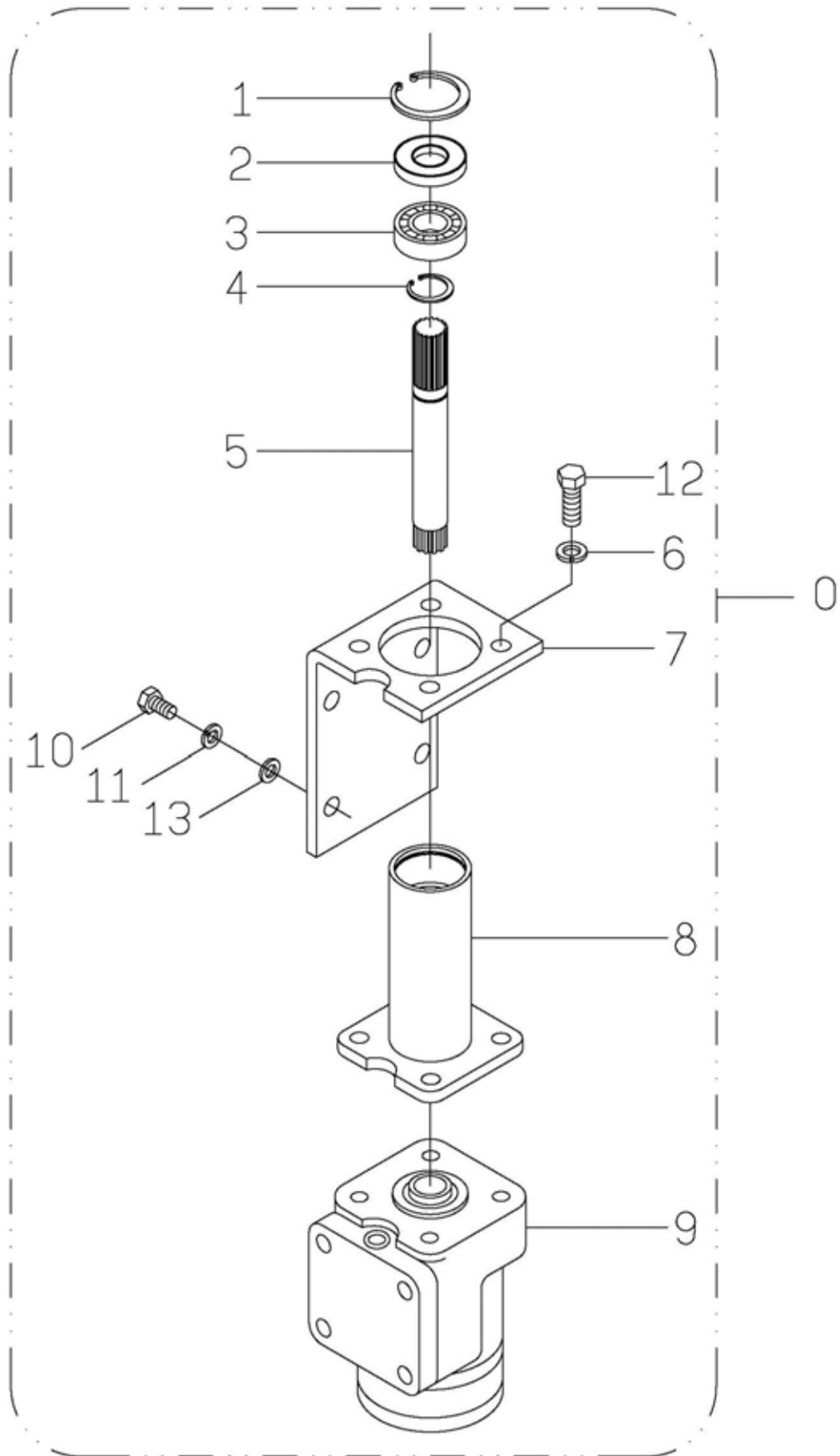
A333-6

STEERING WHEEL ASSY

編號 NO.	零件名稱 (PARE NAME)				FB					FB (C)			機號 BODY NO.	備註 REMARK			
	新碼	舊碼	規格	互換性 I T C	應用日期 APPLIED DATE	數量 Q T Y	1	1	2	2	3	1			1	2	2
	NEW PART NO.	OLD PART NO.	SPECIFICATION				A	B	C	D	E	F			G	H	I
16	螺栓(BOLT)																
	35526					4	A	B	C	D	E	F	G	H	I		
17	固定夾(CLAMP)																
	32448	92512439				1	A	B	C	D	E	F	G	H	I		
18	拉力彈簧(SPRING)																
	32449	92512468				1	A	B	C	D	E	F	G	H	I		
19	固定螺帽(NUT)																
	32450	32512411				1	A	B	C	D	E	F	G	H	I		
20	套筒(SLEEVE)																
	32451	32512412				1	A	B	C	D	E	F	G	H	I		
21	固定套筒(SLEEVE)																
	32452	32512413				1	A	B	C	D	E	F	G	H	I		
22	固定螺栓(BOLT)																
	32453	32512414				1	A	B	C	D	E	F	G	H	I		
23	把手(固定)(HANDLE)																
	32454	32512415				1	A	B	C	D	E	F	G	H	I		
24	六角頭螺栓(BOLT)																
	M1424-M8*16	92501014				1	A	B	C	D	E	F	G	H	I		
25	六角頭螺栓(BOLT)																
	32455	92512434				1	A	B	C	D	E	F	G	H	I		
26	套管(BUSHING)																
	32456	32512437				1	A	B	C	D	E	F	G	H	I		
27	塑膠管(HOSE)																
	32457	92512438				1	A	B	C	D	E	F	G	H	I		
28	彈簧墊圈3號(SPRING WASHER)																
	M1605-M10	92501218				8	A	B	C	D	E	F	G	H	I		
29	方向盤護套(CAP)																
	32467	32512478				1	A	B	C	D	E	F	G	H	I		
30	萬向接頭(UNIVERSAL JOINT)																
	32468	92512422				1	A	B	C	D	E	F	G	H	I		
31	拉力彈簧(SPRING)																
	32469	92512469A				1	A	B	C	D	E	F	G	H	I		
32	懸吊本體(HANGING BRACKET)																
	32471	32512433				1	A	B	C	D	E	F	G	H	I		
33	平墊圈(WASHER)																
	M1602013	92520420				4	A	B	C	D	E	F	G	H	I		
34	六角頭螺栓(BOLT)																
	M1424009	92512470				4	A	B	C	D	E	F	G	H	I		

轉向系統
A333
STEERING SYSTEM

油壓方向機
A333-7
POWER STEERING



A333-7-1

轉向系統
A333
STEERING SYSTEM

油壓方向機
A333-7
POWER STEERING

編號 NO.	零件名稱 (PARE NAME)				FB					FB (C)			機號 BODY NO.	備註 REMARK	
	新碼 NEW PART NO.	舊碼 OLD PART NO.	規格 SPECIFICATION	互換性 I T C	應用日期 APPLIED DATE	數量 Q T Y	1 5 A	1 8 B	2 0 C	2 5 D	3 0 E	1 5 F			1 8 G
0	轉向閥組(STEERING VALVE ASSY)														
	B351368					1	A	B	C	D	E				
	B351369					1						F	G		
	B351518					1							H	I	
1	扣環(SNAP RING)														
	M1312-R42	92512801				1	A	B	C	D	E	F	G	H	I
2	油封(OIL SEAL)														
	M0702026	32512813				1	A	B	C	D	E	F	G	H	I
3	深槽滾珠軸承(BEARING)														
	M0901-6004VV	92512802				1	A	B	C	D	E	F	G	H	I
4	扣環(SNAP RING)														
	M1312-S19	92512803				1	A	B	C	D	E	F	G	H	I
5	心軸(SPINDLE)														
	32487	72512804B				1	A	B	C	D	E	F	G	H	I
6	彈簧墊圈3號(SPRING WASHER)														
	M1605-M10	92501218				4	A	B	C	D	E	F	G	H	I
7	固定座(FIXED SEAT)														
	30592					1	A	B	C	D	E				
	30592B					1	A	B	C	D	E				
	30875					1						F	G	H	I
8	心軸座(SPINDLE SEAT)														
	32485	32512808C				1	A	B	C	D	E	F	G	H	I
9	方向控制閥(STEER ORBITAL VALVE)														
	31103					1						F	G		
	M1214002	51512809				1	A	B	C	D	E		H	I	
	M1214001					1						F	G		
10	六角頭螺栓(BOLT)														
	M1424010	92512810				4	A	B	C	D	E	F	G	H	I
11	彈簧墊圈3號(SPRING WASHER)														
	M1605-M12	92501024				4	A	B	C	D	E	F	G	H	I
12	六角頭螺栓(BOLT)														
		92510312				4	A	B	C	D	E	F	G	H	I
13	平墊圈(WASHER)														
	M1602021	92512812				4	A	B	C	D	E	F	G	H	I

控制器系統

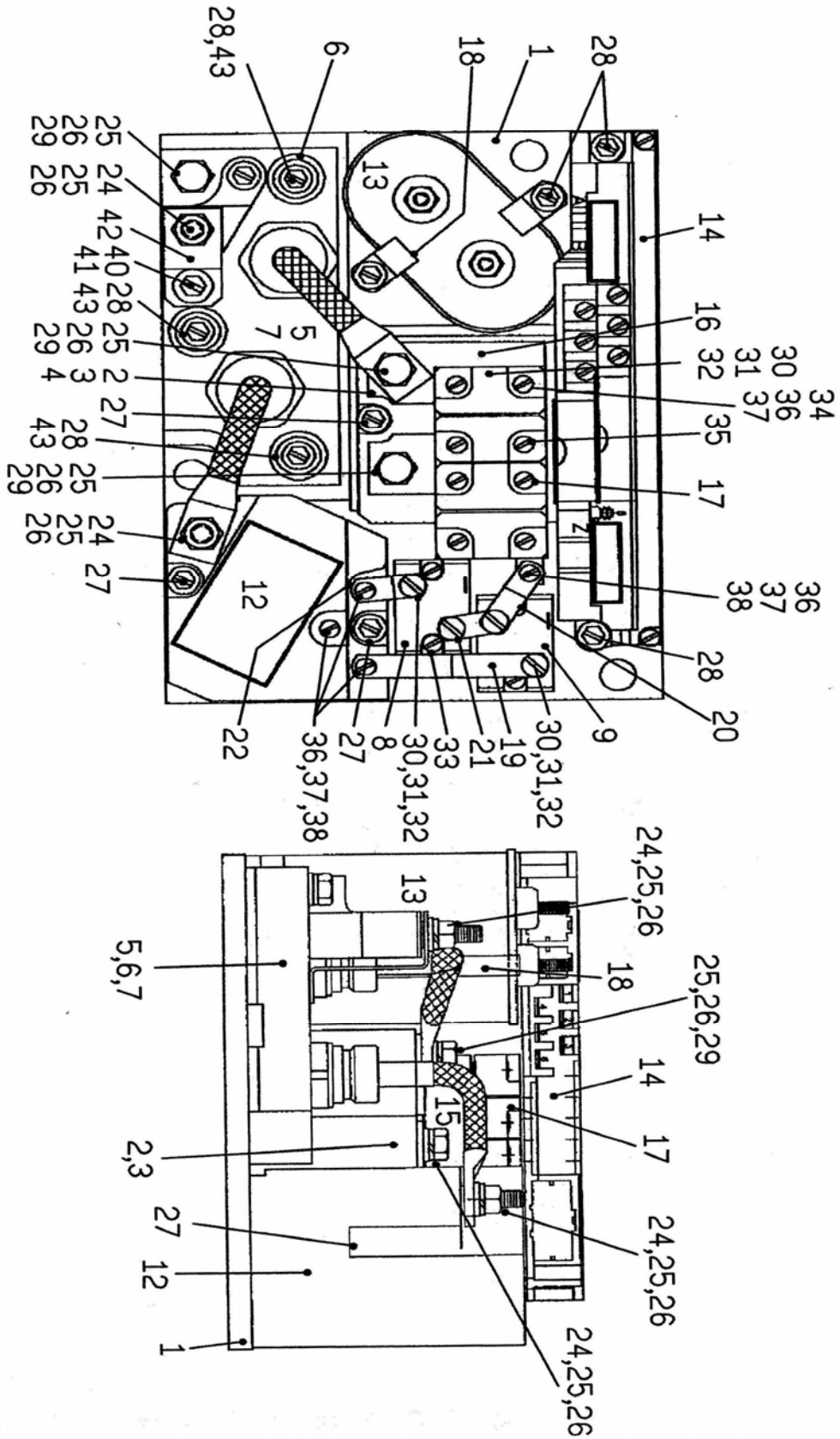
A334

CONTROLLER

SYSTEM

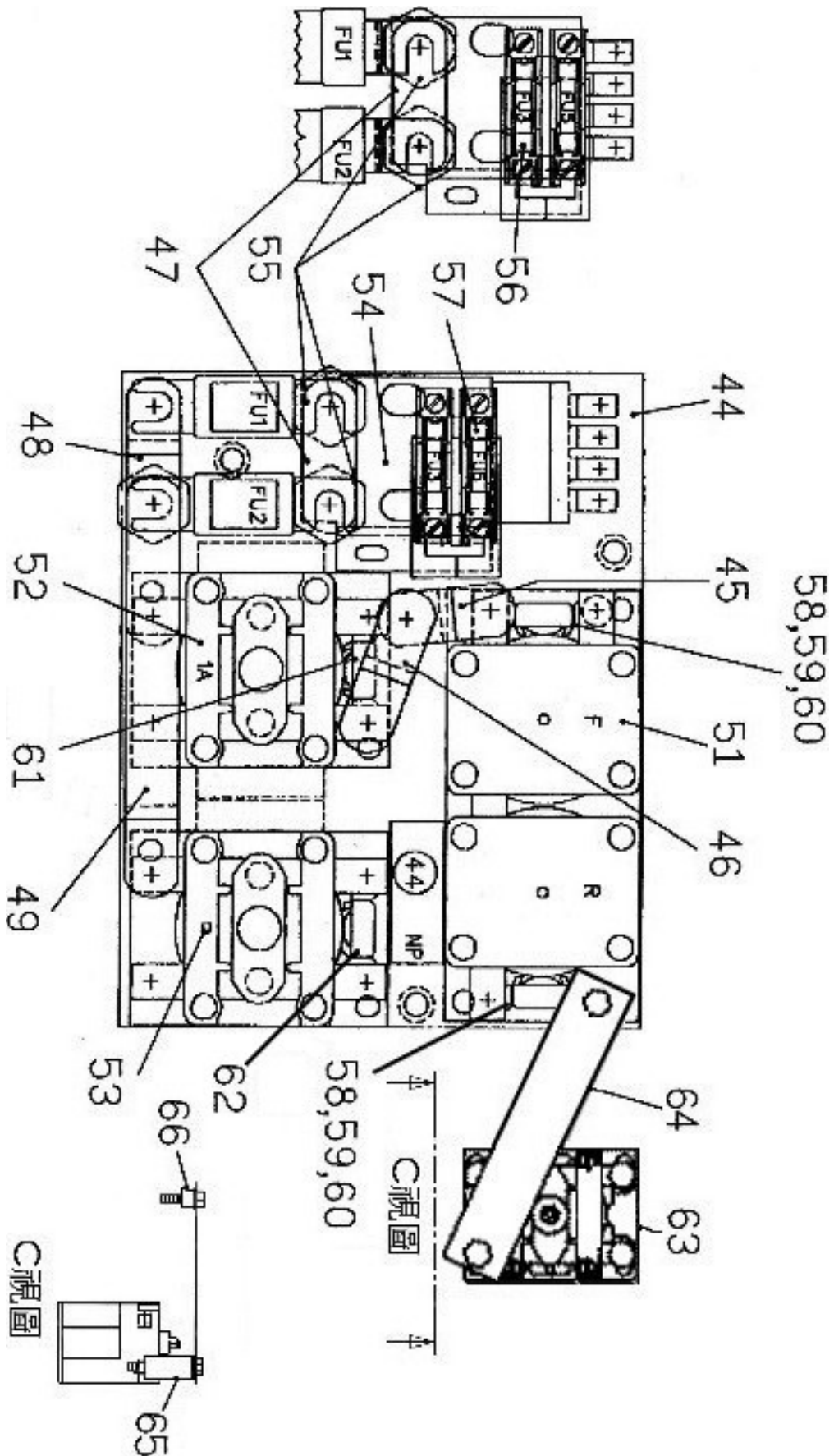
控制器系統
A334
CONTROLLER SYSTEM

控制器
A334-3
CONTROLLER (GE DC)



控制器系統
A334
CONTROLLER SYSTEM

控制器
A334-3
CONTROLLER (GE DC)



控制器系統 A334 CONTROLLER SYSTEM

控制器
A334-3

CONTROLLER (GE DC)

編號 NO.	零件名稱 (PARE NAME)										機號 BODY NO.	備註 REMARK					
	新碼 NEW PART NO.	舊碼 OLD PART NO.	規格 SPECIFICATION	互換性 I T C	應用日期 APPLIED DATE	數量 Q T Y	FB						FB (C)				
							1	1	2	2			3	1	1	2	2
5	8	0	5	0	5	8	0	5									
0	控制器總成(CONTROLLER ASSY)																
	E1905003					1	A	B	C	D	E	F	G	H	I		停用(NOT USED)
1	基板(BASE DETAIL)																
	E1907001					1	A	B	C	D	E	F	G	H	I		停用(NOT USED)
2	1 REC. 低電壓部份(1 REC ASSEMBLY LOW POWER)																
	E1907002					1	A	B	C	D	E	F	G	H	I		停用(NOT USED)
3	1 REC. 高電壓部份(1 REC ASSEMBLY HIGH POWER)																
	E1907003					1	A	B	C	D	E	F	G	H	I		停用(NOT USED)
4	絕緣體(INSULATOR)																
	E1907004					1	A	B	C	D	E	F	G	H	I		停用(NOT USED)
5	3 REC和4 REC組(3 AND 4 REC. ASM)																
	E1907005					1	A	B	C	D	E	F	G	H	I		停用(NOT USED)
6	絕緣環(INSULATING BUSHING)																
	E1907006					3	A	B	C	D	E	F	G	H	I		停用(NOT USED)
7	絕緣體(INSULATOR)																
	E1907007					1	A	B	C	D	E	F	G	H	I		停用(NOT USED)
8	整流器(COMMUTATOR)(SCR 2REC)																
	E1907008					1	A	B	C	D	E	F	G	H	I		停用(NOT USED)
9	整流器(COMMUTATOR)(SCR 5REC)																
	E1907009					1	A	B	C	D	E	F	G	H	I		停用(NOT USED)
10	電容警告標籤(CAP. "WARNING" LABEL)																
	E1907010					1	A	B	C	D	E	F	G	H	I		停用(NOT USED)
11	EV-100標識牌(EV-100 LOGO LABEL)																
	E1907011					1	A	B	C	D	E						停用(NOT USED)
12	動力組合(REACTOR ASSEMBLY)																
	E1907012					1	A	B	C	D	E	F	G	H	I		停用(NOT USED)
13	150MF電容(CAP MT FILM 150MF 25)																
	E1907013					1	A	B	C	D	E	F	G	H	I		停用(NOT USED)
14	邏輯卡(LOGIC CARD)																
	E1907014					1	A	B	C	D	E	F	G	H	I		停用(NOT USED)
15	(SPIDER AND WIRE ASM)																
	E1907015					1	A	B	C	D	E	F	G	H	I		停用(NOT USED)
16	電熱調節器組(THERMISTOR ASM)																
	E1907016					1	A	B	C	D	E	F	G	H	I		停用(NOT USED)
17	緩衝組(CUSHION ASSY)																
	E1907017					4	A	B	C	D	E	F	G	H	I		停用(NOT USED)
18	電容固定架(CAPACITOR MTG. STRAP)																
	E1907018					2	A	B	C	D	E	F	G	H	I		停用(NOT USED)

控制器系統 A334 CONTROLLER SYSTEM

控制器
A334-3

CONTROLLER (GE DC)

編號 NO.	零件名稱 (PARE NAME)										機號 BODY NO.	備註 REMARK					
	新碼 NEW PART NO.	舊碼 OLD PART NO.	規格 SPECIFICATION	互換性 I T C	應用日期 APPLIED DATE	數量 Q T Y	FB						FB (C)				
							1	1	2	2			3	1	1	2	2
5	8	0	5	0	5	8	0	5									
19	匯流排(BUS BAR)																
	E1907019					1	A	B	C	D	E	F	G	H	I		停用(NOT USED)
20	匯流排(BUS BAR)																
	E1907020					1	A	B	C	D	E	F	G	H	I		停用(NOT USED)
21	匯流排(BUS BAR)																
	E1907021					1	A	B	C	D	E	F	G	H	I		停用(NOT USED)
22	匯流排(BUS BAR)																
	E1907022					1	A	B	C	D	E	F	G	H	I		停用(NOT USED)
23	(WIRE HARNESS)																
	E1907023					1	A	B	C	D	E	F	G	H	I		停用(NOT USED)
24	螺帽(NUT)																
	E1907024					2	A	B	C	D	E	F	G	H	I		停用(NOT USED)
25	平墊圈(WASHER)																
	E1907025					5	A	B	C	D	E	F	G	H	I		停用(NOT USED)
26	彈簧墊圈(SPRING WASHER)																
	E1907026					5	A	B	C	D	E	F	G	H	I		停用(NOT USED)
27	螺栓(BOLT)																
	E1907027					4	A	B	C	D	E	F	G	H	I		停用(NOT USED)
28	螺栓(BOLT)																
	E1907028					7	A	B	C	D	E	F	G	H	I		停用(NOT USED)
29	螺栓(BOLT)																
	E1907029					3	A	B	C	D	E	F	G	H	I		停用(NOT USED)
30	螺栓(BOLT)																
	E1907030					5	A	B	C	D	E	F	G	H	I		停用(NOT USED)
31	彈簧墊圈(SPRING WASHER)																
	E1907031					5	A	B	C	D	E	F	G	H	I		停用(NOT USED)
32	彈簧墊圈(SPRING WASHER)																
	E1907032					5	A	B	C	D	E	F	G	H	I		停用(NOT USED)
33	螺栓(BOLT)																
	E1907033					4	A	B	C	D	E	F	G	H	I		停用(NOT USED)
34	螺栓(BOLT)																
	E1907034					1	A	B	C	D	E	F	G	H	I		停用(NOT USED)
35	螺栓(BOLT)																
	E1907035					8	A	B	C	D	E	F	G	H	I		停用(NOT USED)
36	彈簧墊圈(SPRING WASHER)																
	E1907036					6	A	B	C	D	E	F	G	H	I		停用(NOT USED)
37	彈簧墊圈(SPRING WASHER)																
	E1907037					6	A	B	C	D	E	F	G	H	I		停用(NOT USED)

控制器系統 A334 CONTROLLER SYSTEM

控制器

A334-3

CONTROLLER (GE DC)

編號 NO.	零件名稱 (PARE NAME)										機號 BODY NO.	備註 REMARK					
	新碼 NEW PART NO.	舊碼 OLD PART NO.	規格 SPECIFICATION	互換性 I T C	應用日期 APPLIED DATE	數量 Q T Y	FB						FB (C)				
							1	1	2	2			3	1	1	2	2
							A	B	C	D	E	F	G	H	I		
38	螺栓(BOLT)																
	E1907038					6	A	B	C	D	E	F	G	H	I		停用(NOT USED)
39	螺栓(BOLT)																
	E1907039					2	A	B	C	D	E	F	G	H	I		停用(NOT USED)
40	螺栓(BOLT)																
	E1907040					1	A	B	C	D	E	F	G	H	I		停用(NOT USED)
41	螺栓(BOLT)																
	E1907041					1	A	B	C	D	E	F	G	H	I		停用(NOT USED)
42	匯流排組(BUS BAR ASSY)																
	E1907042					1	A	B	C	D	E	F	G	H	I		停用(NOT USED)
43	彈簧墊圈(SPRING WASHER)																
	E1907043					3	A	B	C	D	E	F	G	H	I		停用(NOT USED)
44	基板(BASE)																
	E1907044					1	A	B	C	D	E	F	G	H	I		停用(NOT USED)
45	匯流排(BUS BAR)																
	E1907045					1	A	B	C	D	E	F	G	H	I		停用(NOT USED)
46	匯流排(BUS BAR)																
	E1907046					1	A	B	C	D	E	F	G	H	I		停用(NOT USED)
47	匯流排(BUS BAR)																
	E1907047					1	A	B	C	D	E	F	G	H	I		停用(NOT USED)
48	匯流排(BUS BAR)																
	E1907048					1	A	B	C	D	E	F	G	H	I		停用(NOT USED)
49	匯流排(BUS BAR)																
	E1907049					1	A	B	C	D	E	F	G	H	I		停用(NOT USED)
50	SCR 控制器(SCR CONTROLLER)																
	E1907050					1	A	B	C	D	E	F	G	H	I		停用(NOT USED)
51	F/R 接觸器(F/R CONTACTOR)																
	E1907051					1	A	B	C	D	E	F	G	H	I		停用(NOT USED)
52	1A 接觸器(1A CONTACTOR)																
	E1907052					1	A	B	C	D	E	F	G	H	I		停用(NOT USED)
53	P 接觸器(P CONTACTOR)																
	E1907053					1	A	B				F	G	H	I		停用(NOT USED)
	E4001039					1			C	D	E						停用(NOT USED)
54	保險座(FUSE SEAT)																
	E1907054					1	A	B	C	D	E	F	G	H	I		停用(NOT USED)
55	絕緣體(INSULATOR)																
	E1907055					3	A	B	C	D	E	F	G	H	I		停用(NOT USED)
56	保險絲(FUSE)																
	E1907056					2	A	B	C	D	E	F	G	H	I		停用(NOT USED)

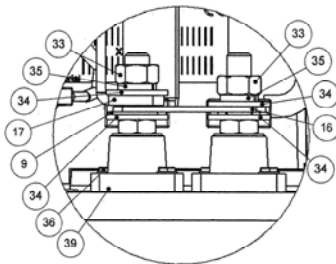
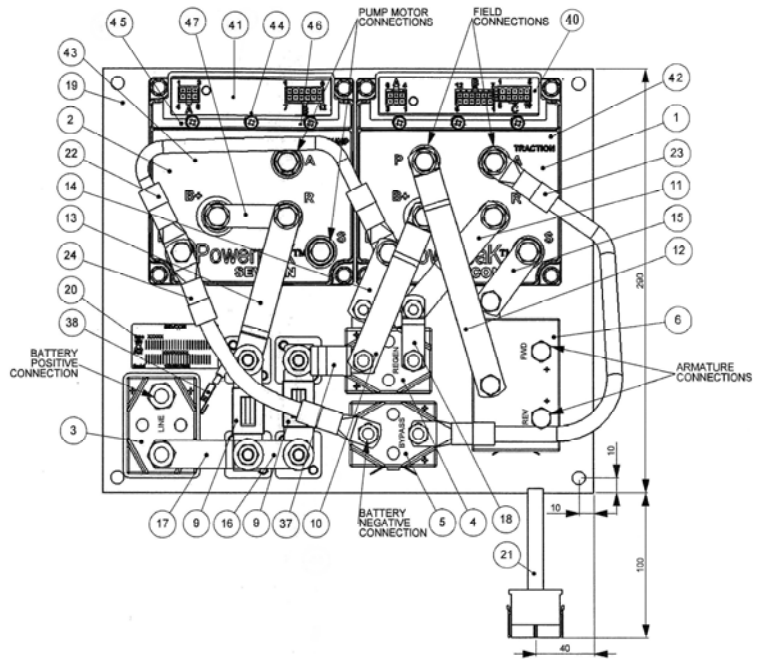
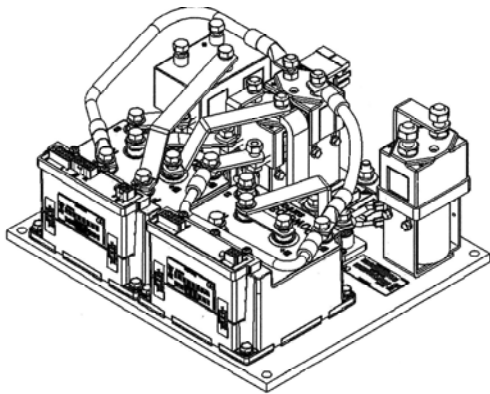
控制器系統
A334
CONTROLLER SYSTEM

控制器
A334-3
CONTROLLER (GE DC)

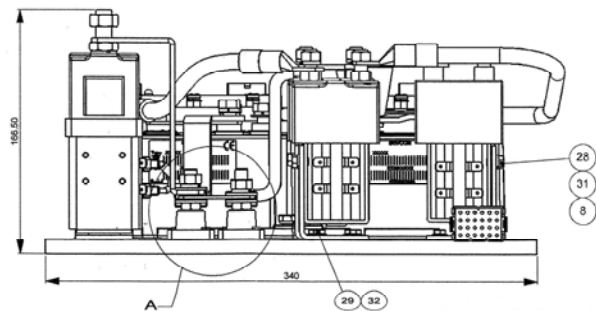
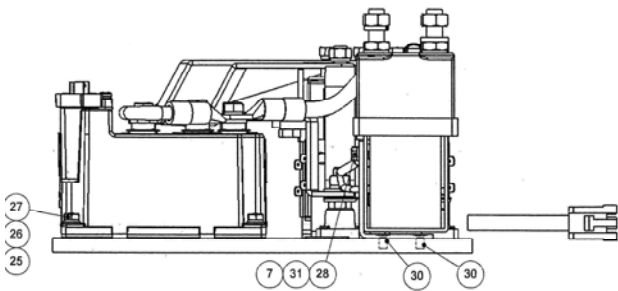
編號 NO.	零件名稱 (PARE NAME)										機號 BODY NO.	備註 REMARK					
	新碼 NEW PART NO.	舊碼 OLD PART NO.	規格 SPECIFICATION	互換性 I T C	應用日期 APPLIED DATE	數量 Q T Y	FB						FB (C)				
							1	1	2	2			3	1	1	2	2
5	8	0	5	0	F	G	H	I									
57	保險塊(FUSE BLOCK)																
	E1907057					1	A	B	C	D	E	F	G	H	I		停用 (NOT USED)
58	F/R消除器(F/R SUPPRESSOR)																
	E1907058					2	A	B	C	D	E	F	G	H	I		停用 (NOT USED)
59	F/R消除器(F/R SUPPRESSOR)																
	E1907059					2	A	B	C	D	E	F	G	H	I		停用 (NOT USED)
60	F/R消除器(F/R SUPPRESSOR)																
	E1907060					2	A	B	C	D	E	F	G	H	I		停用 (NOT USED)
61	1A 消除器(1A SUPPRESSOR)																
	E1907061					1	A	B	C	D	E	F	G	H	I		停用 (NOT USED)
62	P 消除器(P SUPPRESSOR)																
	E1907062					1	A	B	C	D	E	F	G	H	I		停用 (NOT USED)
63	P接觸器(P CONTACTOR)																
	E1907063					1	A	B	C	D	E	F	G	H	I		停用 (NOT USED)
64	電阻器(RESISTOR)																
	E1907064					1						F	G	H	I		停用 (NOT USED)
65	傳導套(SLEEVE)																
	31000					1						F	G	H	I		停用 (NOT USED)
66	銅套筒(SLEEVE)																
	35434	E1907065				1						F	G	H	I		停用 (NOT USED)

控制器系統 A334 CONTROLLER SYSTEM

控制器
A334-3A
CONTROLLER (SEVCON DC)



DETAIL A
SCALE 4:3



控制器系統 A334 CONTROLLER SYSTEM

控制器
A334-3A

CONTROLLER (SEVCON DC)

編號 NO.	零件名稱 (PARE NAME)										機號 BODY NO.	備註 REMARK				
	新碼 NEW PART NO.	舊碼 OLD PART NO.	規格 SPECIFICATION	互換性 I T C	應用日期 APPLIED DATE	數量 Q T Y	FB						FB (C)			
							1	1	2	2			3	1	1	2
5	8	0	5	0	5	8	0	5								
0	控制器總成(CONTROLLER ASSY)															
	E1905002	632F46241	48V			1	A	B				停用(NOT USED)				
	E1905005	632F86221	80V			1		C	D	E		停用(NOT USED)				
1	行走控制器總成(TRACTION CONTROLLER ASSY)															
	E1913002	632T46224	48V			1	A	B				停用(NOT USED)				
	E1909044	632T86221	80V			1		C	D	E		停用(NOT USED)				
2	泵浦控制器總成(PUMP CONTROLLER ASSY)															
	E1913006	632P46530	48V			1	A	B				停用(NOT USED)				
	E1909042	632P86521	80V			1		C	D	E		停用(NOT USED)				
3	連續接觸器(CONTACTOR, CONTINUOUS)															
	E1913007	828-46008				1	A	B				停用(NOT USED)				
	E1909019	828-67010				1		C	D	E		停用(NOT USED)				
	E1913007A	828-57036			2007/08	1	A	B				停用(NOT USED)				
	E1909019A	828-67014			2007/12	1		C	D	E		停用(NOT USED)				
4	啟動接觸器(CONTACTOR, STARTER)															
	E1913004	PRO-50013				1	A	B				停用(NOT USED)				
	E1909010	828-66301				1		C	D	E		停用(NOT USED)				
	E1913004A	828-56304			2007/12	1	A	B				停用(NOT USED)				
	E1909010A	828-66017			2007/12	1		C	D	E		停用(NOT USED)				
5	間歇接觸器(CONTACTOR, INTERMITTENT)															
	E1913005	828-46003				1	A	B				停用(NOT USED)				
	E1909018	828-67011				1		C	D	E		停用(NOT USED)				
	E1913005A	828-57035			2007/12	1	A	B				停用(NOT USED)				
	E1909018A	828-67013			2007/12	1		C	D	E		停用(NOT USED)				
6	前進後退接觸器(CONTACTOR, FORWARD/BACKWARD)															
	E1913008	828-46415				1	A	B				停用(NOT USED)				
	E1909011	828-67425				1		C	D	E		停用(NOT USED)				
	E1913008A	828-57412			2007/08	1	A	B				停用(NOT USED)				
	E1909011A	828-67427			2007/12	1		C	D	E		停用(NOT USED)				
7	接觸器托架(CONTACTOR MOUNTING BRACKET)															
	E1913009	101-15112				1	A	B	C	D	E	停用(NOT USED)				
8	接觸器托架(CONTACTOR MONNTING BRACKET)															
	E1909017	101-82900				4	A	B	C	D	E	停用(NOT USED)				
9	保險絲(FUSE)															
	E1909007	858-81990				2	A	B	C	D	E	停用(NOT USED)				
10	銅連桿(JOINTROD, COPPER)															
		121-57440				1	A	B				停用(NOT USED)				
	E1909013	121-50961				1	A	B	C	D	E	停用(NOT USED)				

控制器系統 A334 CONTROLLER SYSTEM

控制器
A334-3A

CONTROLLER (SEVCON DC)

編號 NO.	零件名稱 (PARE NAME)				FB					FB (C)			機號 BODY NO.	備註 REMARK			
	新碼	舊碼	規格	互換性 I T C	應用日期 APPLIED DATE	數量 Q T Y	1	1	2	2	3	1			1	2	2
	NEW PART NO.	OLD PART NO.	SPECIFICATION				A	B	C	D	E	F			G	H	I
11	銅連桿(JOINTROD, COPPER)																
		121-57443				1	A	B							停用(NOT USED)		
	E1909015	121-50962				1	A	B	C	D	E				停用(NOT USED)		
12	銅連桿(JOINTROD, COPPER)																
		121-57451				1	A	B							停用(NOT USED)		
	E1909012	121-50963				1	A	B	C	D	E				停用(NOT USED)		
13	銅連桿(JOINTROD, COPPER)																
	E1909036	121-50966				1	A	B	C	D	E				停用(NOT USED)		
14	銅連桿(JOINTROD, COPPER)																
		121-51973				1	A	B							停用(NOT USED)		
	E1909014	121-50965				1	A	B	C	D	E				停用(NOT USED)		
15	銅連桿(JOINTROD, COPPER)																
		121-51974				1	A	B							停用(NOT USED)		
	E1909016	121-50964				1	A	B	C	D	E				停用(NOT USED)		
16	銅連桿(JOINTROD, COPPER)																
	E1909039	121-50967				1	A	B	C	D	E				停用(NOT USED)		
17	銅連桿(JOINTROD, COPPER)																
	E1909037	121-50545				1	A	B	C	D	E				停用(NOT USED)		
18	銅連桿(JOINTROD, COPPER)																
	E1909038	121-57478				1	A	B	C	D	E				停用(NOT USED)		
19	基座板(BASE PLATE)																
		PRO-50012				1	A	B							停用(NOT USED)		
	E1909001					1			C	D	E				停用(NOT USED)		
	E1909001A	130-14301			2007/12	1	A	B	C	D	E				停用(NOT USED)		
20	產品標籤(PRODUCT LABEL)																
		136-51003				1	A	B							停用(NOT USED)		
	E1909021					1			C	D	E				停用(NOT USED)		
	E1909021A	136-51387			2007/12	1	A	B	C	D	E				停用(NOT USED)		
21	接頭(CONNECTOR)																
	E1913010	184-21861				1	A	B	C	D	E				停用(NOT USED)		
22	動力電纜(POWER CABLE)																
	E1909035	191-31416				1	A	B	C	D	E				停用(NOT USED)		
23	電纜線(CABLE)																
	E1909023	191-31418				1	A	B	C	D	E				停用(NOT USED)		
24	電纜線(CABLE)																
	E1909045	191-31415				1	A	B	C	D	E				停用(NOT USED)		
25	平墊圈(WASHER)																
	E1909024	570-50506				8	A	B	C	D	E				停用(NOT USED)		

控制器系統 A334 CONTROLLER SYSTEM

控制器
A334-3A

CONTROLLER (SEVCON DC)

編號 NO.	零件名稱 (PARE NAME)				FB					FB (C)			機號 BODY NO.	備註 REMARK			
	新碼	舊碼	規格	互換性 I T C	應用日期	數量 Q T Y	1	1	2	2	3	1			1	2	2
	NEW PART NO.	OLD PART NO.	SPECIFICATION		APPLIED DATE		A	B	C	D	E	F			G	H	I
26	平墊圈(WASHER)																
	E1909025	572-12306				8	A	B	C	D	E				停用 (NOT USED)		
27	螺栓(BOLT)																
	E1909026	501-12610				8	A	B	C	D	E				停用 (NOT USED)		
28	螺栓(BOLT)																
	E1909028	501-12505				10	A	B	C	D	E				停用 (NOT USED)		
29	螺栓(BOLT)																
	E1909033	507-32531				8	A	B	C	D	E				停用 (NOT USED)		
30	螺栓(BOLT)																
	E1913011	538-32531				2	A	B	C	D	E				停用 (NOT USED)		
31	彈簧墊圈 (SPRING WASHER)																
	E1909027	572-12305				10	A	B	C	D	E				停用 (NOT USED)		
32	擺動枝樣 (SHAKE PROOF)																
	E1909029	573-12305				8	A	B	C	D	E				停用 (NOT USED)		
33	螺帽 (NUT)																
	E1909009	550-10309				4	A	B	C	D	E				停用 (NOT USED)		
34	平墊圈 (WASHER)																
	E1909006	570-30308				8	A	B	C	D	E				停用 (NOT USED)		
35	彈簧墊圈 (SPRING WASHER)																
	E1909008	572-12308				4	A	B	C	D	E				停用 (NOT USED)		
36	螺栓 (BOLT)																
	E1909005	507-32332				8	A	B	C	D	E				停用 (NOT USED)		
37	帶狀電線 (TERMINAL MOUNTING BLOCK)																
	E1909020	677-51024				1	A	B	C	D	E				停用 (NOT USED)		
38	飛輪二極體 (DIODE)																
	E1913012	694-20070				1	A	B	C	D	E				停用 (NOT USED)		
39	端點固定塊 (TERMINAL MOUNTING BLOCK)																
	E1909004	695-24042				4	A	B	C	D	E				停用 (NOT USED)		
40	行走控制邏輯卡 (TRACTION LOGIC CARD)																
	E1913001	PRO-50017	48V			1	A	B							停用 (NOT USED)		
	E1909002	662T86221	80V			1			C	D	E				停用 (NOT USED)		
41	泵浦控制邏輯卡 (PUMP LOGIC CARD)																
	E1913003	PRO-50016				1	A	B							停用 (NOT USED)		
	E1909003	662P86521				1			C	D	E				停用 (NOT USED)		
42	行走控制器 (TRACTION CONTROLLER)																
	E1913013	632T46227				1	A	B							停用 (NOT USED)		
	E1909040	639-90019				1			C	D	E				停用 (NOT USED)		

控制器系統
A334
CONTROLLER SYSTEM

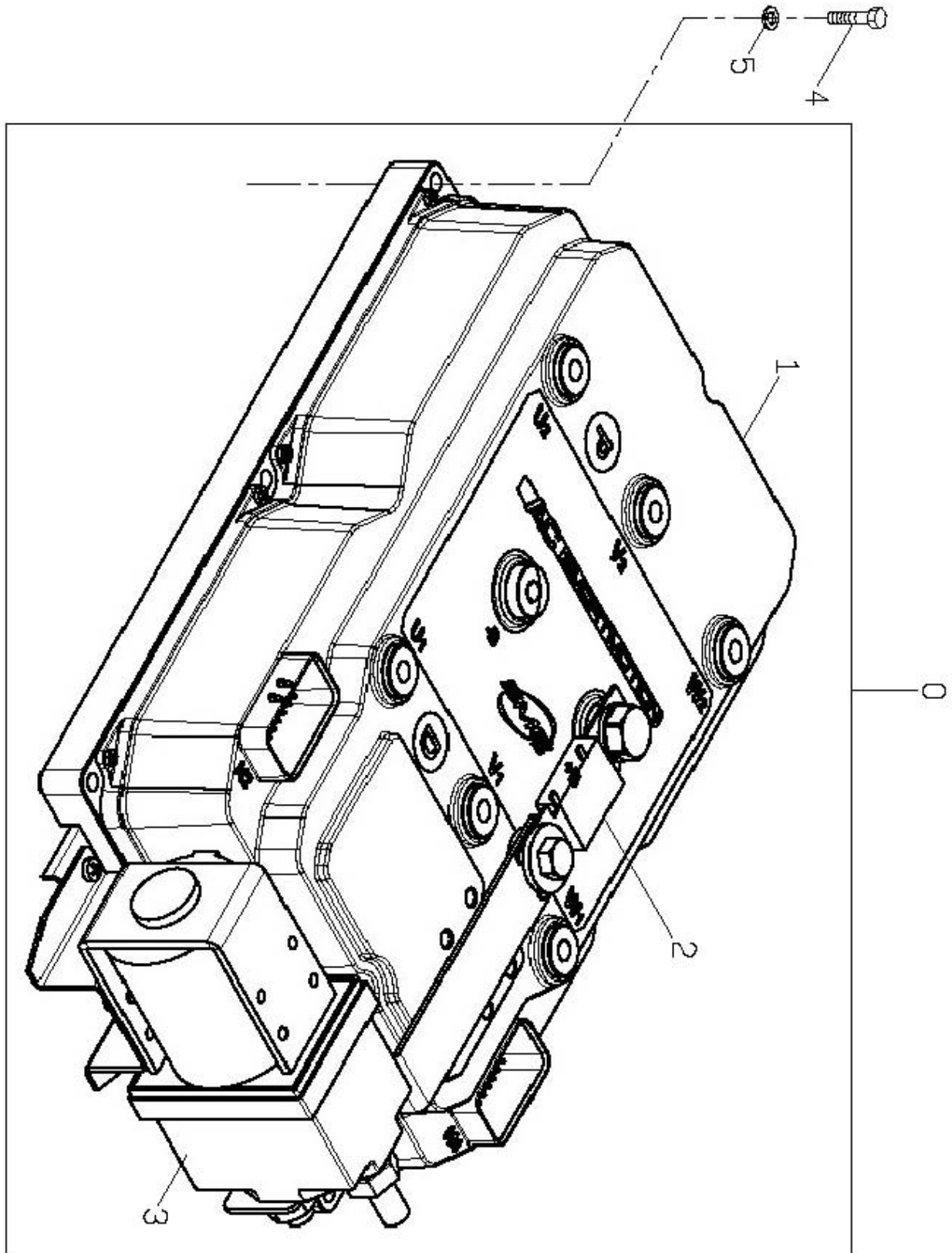
控制器
A334-3A

CONTROLLER (SEVCON DC)

編號 NO.	零件名稱 (PARE NAME)										機號 BODY NO.	備註 REMARK				
	新碼 NEW PART NO.	舊碼 OLD PART NO.	規格 SPECIFICATION	互換性 I T C	應用日期 APPLIED DATE	數量 Q T Y	FB						FB (C)			
							1	1	2	2			3	1	1	2
A	B	C	D	E	F	G	H	I								
43	泵浦控制器(PUMP CONTROLLER)															
	E1913014	150-15521	48V			1	A	B					停用(NOT USED)			
	E1909041	639-90007	80V			1		C	D	E			停用(NOT USED)			
44	螺栓(BOLT)															
	E1913015	570-20304				3	A	B	C	D	E		停用(NOT USED)			
45	螺栓(BOLT)															
	E1913016	535-12409				3	A	B	C	D	E		停用(NOT USED)			
46	螺栓(BOLT)															
	E1913017	572-12304				3	A	B	C	D	E		停用(NOT USED)			
47	銅連桿(JOINTROD, COPPER)															
	E1913018	121-51982				1	A	B	C	D	E		停用(NOT USED)			

控制器系統
A334
CONTROLLER SYSTEM

控制器
A334-3B
CONTROLLER (SME AC)



A334-3B-1

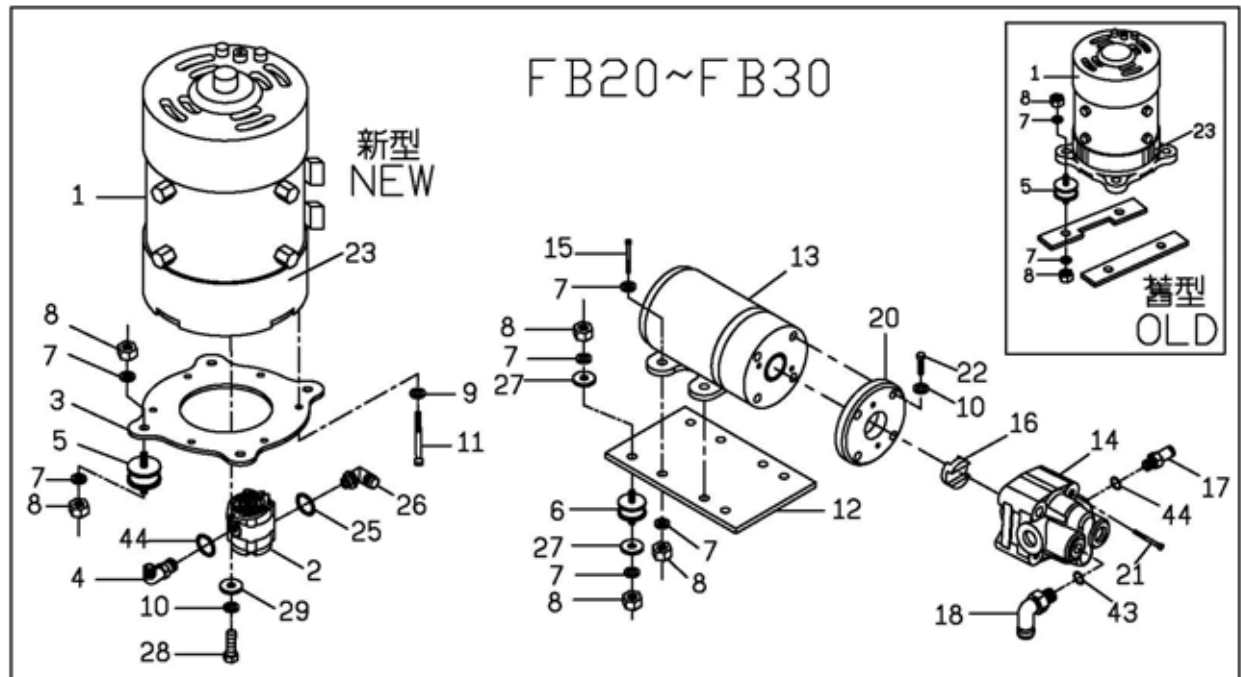
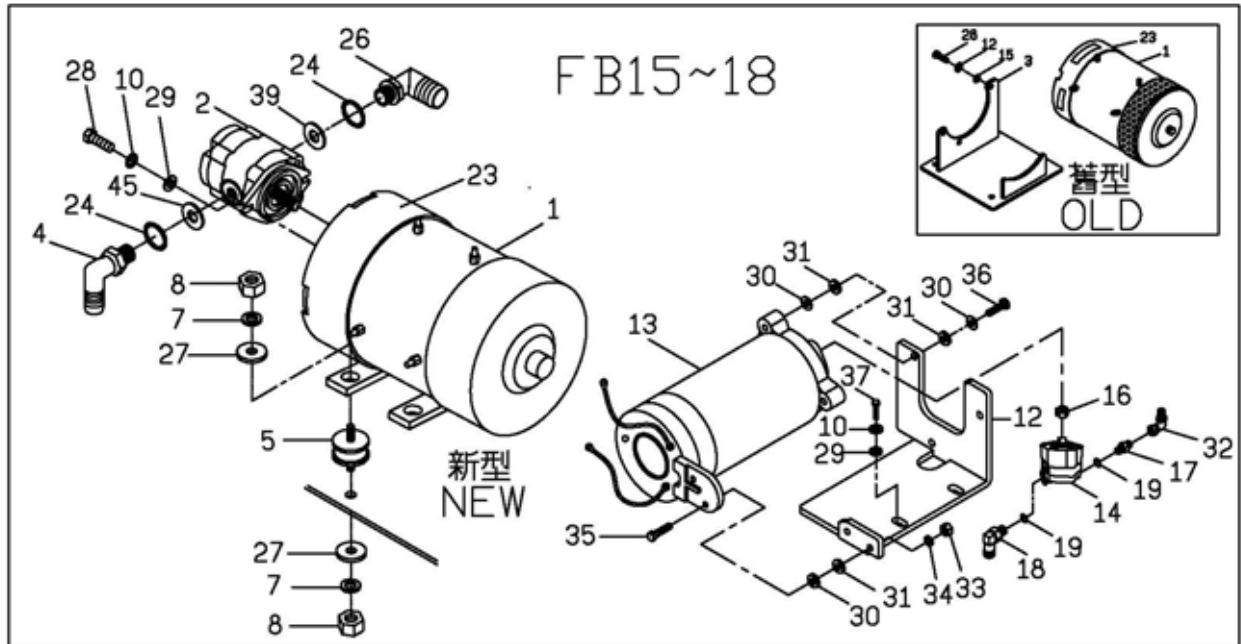
控制器系統
A334
CONTROLLER SYSTEM

控制器
A334-3B
CONTROLLER (SME AC)

編號 NO.	零件名稱 (PARE NAME)										機號 BODY NO.	備註 REMARK					
	新碼 NEW PART NO.	舊碼 OLD PART NO.	規格 SPECIFICATION	互換性 I T C	應用日期 APPLIED DATE	數量 Q T Y	FB						FB (C)				
							1	1	2	2			3	1	1	2	2
5	8	0	5	0	5	8	0	5									
A	B	C	D	E	F	G	H	I									
0	控制器總成(CONTROLLER ASSY)																
	E1905010	B001V985B00	48V			1	A	B	C	D	F	G	H	I			
	E1905011	B001V996B00	80V			1				E							
1	控制器(CONTROLLER)																
	E1905010P01	ROOKIV985B00				1	A	B	C	D	F	G	H	I			
	E1905011P01	ROOKIV997B00				1				E							
2	保險絲(FUSE)																
	E1905009P04	744EFCNN700				1	A	B	C	D	F	G	H	I			
	E1905011P02	744EFCNL400				1				E							
3	接觸器(CONTACTOR)																
	E1905010P02	747SW200230				1	A	B	C	D	E	F	G	H	I		
4	六角承窩頭螺栓(BOLT)																
	M1401-M6*25					6	A	B	C	D	F	G	H	I			
	M1401-M6*35					6				E							
5	彈簧墊圈2號(SPRING WASHER)																
	M1606-M6					6	A	B	C	D	E	F	G	H	I		

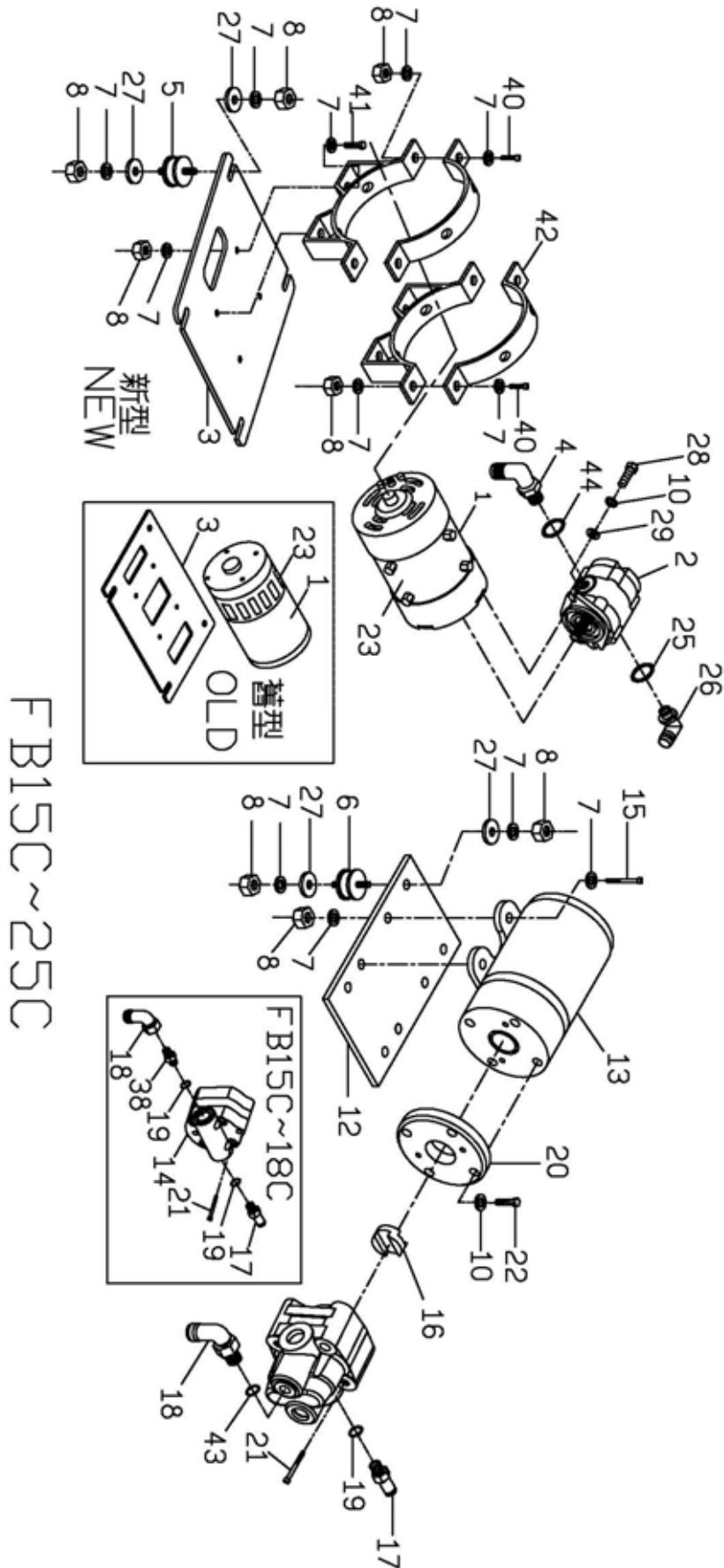
控制器系統 A334 CONTROLLER SYSTEM

馬達與泵浦
A334-4
MOTOR & PUMP (GE DC)



控制器系統 A334 CONTROLLER SYSTEM

馬達與泵浦
A334-4
MOTOR & PUMP (GE DC)



控制器系統 A334 CONTROLLER SYSTEM

馬達與泵浦

A334-4

MOTOR & PUMP (GE DC)

編號 NO.	零件名稱 (PARE NAME)										機號 BODY NO.	備註 REMARK						
	新碼 NEW PART NO.	舊碼 OLD PART NO.	規格 SPECIFICATION	互換性 I T C	應用日期 APPLIED DATE	數量 Q T Y	FB						FB (C)					
							1	1	2	2			3	1	1	2	2	
							A	B	C	D	E	F	G	H	I			
1	舉升馬達(MOTOR)																	
	E2106002		48V			1	A	B									EY316994	停用 (NOT USED)
	E2106021		45V		2003/03	1	A	B									EY316994	停用 (NOT USED)
	E2106012		80V			1			C	D	E						EY316994	停用 (NOT USED)
	E2106022		75V		2003/03	1			C	D	E						EY316994	停用 (NOT USED)
	E2106016		48V			1						F	G				EY316994	停用 (NOT USED)
	E2106023		48V			1								H	I		EY316994	停用 (NOT USED)
	E2106024		48V			1								H	I		EY316994	停用 (NOT USED)
2	油壓泵浦(HYDRAULIC PUMP)																	
	M0305017					1	A	B						H	I			停用 (NOT USED)
	M0305022					1	A	B										停用 (NOT USED)
	M0305018	30964				1			C	D	E							停用 (NOT USED)
	M0305016					1						F	G					停用 (NOT USED)
3	固定板(FIXED BOARD)																	
	30988					1	A	B										停用 (NOT USED)
	31903					1			C	D	E							停用 (NOT USED)
	31045					1						F	G					停用 (NOT USED)
	31449A					1								H	I			停用 (NOT USED)
4	接頭(CONNECTOR)																	
	31057					1	A	B										停用 (NOT USED)
	35390					1	A	B										停用 (NOT USED)
	30558					1			C	D	E							停用 (NOT USED)
	30724					1			C	D	E	F	G	H	I			停用 (NOT USED)
	31093					1						F	G	H	I			停用 (NOT USED)
5	避震墊(SHOCK PAD)																	
	30557					4	A	B	C	D	E							停用 (NOT USED)
	30557A					4	A	B	C	D	E	F	G	H	I			停用 (NOT USED)
6	避震墊(SHOCK PAD)																	
	31039					8						F	G	H	I			停用 (NOT USED)
	31039					4			C	D	E	F	G	H	I			停用 (NOT USED)
7	彈簧墊圈3號(SPRING WASHER)																	
	M1605-M12	92501024				N	A	B	C	D	E	F	G	H	I			停用 (NOT USED)
8	六角螺帽(NUT)																	
	M1513002	92504014				8	A	B	C	D	E							停用 (NOT USED)
	M1502-M8	92509013				12			C	D	E							停用 (NOT USED)
	M1502-M8	92509013				28						F	G	H	I			停用 (NOT USED)
9	彈簧墊圈3號(SPRING WASHER)																	
	M1605-M8	92501019				6			C	D	E							停用 (NOT USED)

控制器系統 A334 CONTROLLER SYSTEM

馬達與泵浦

A334-4

MOTOR & PUMP (GE DC)

編號 NO.	零件名稱 (PART NAME)										機號 BODY NO.	備註 REMARK					
	新碼 NEW PART NO.	舊碼 OLD PART NO.	規格 SPECIFICATION	互換性 I T C	應用日期 APPLIED DATE	數量 Q T Y	FB						FB (C)				
							1	1	2	2			3	1	1	2	2
							A	B	C	D	E	F	G	H	I		
10	彈簧墊圈3號(SPRING WASHER)																
	M1606-M10	34010208				4	A	B									停用(NOT USED)
	M1605-M10	92501218				6			C	D	E	F	G	H	I	停用(NOT USED)	
11	六角承窩頭螺栓(BOLT)																
	M1401-M8*75					6			C	D	E					停用(NOT USED)	
12	馬達固定架(FIXED PLANK)																
	30920A					1	A	B								停用(NOT USED)	
	31042					1			C	D	E	F	G	H	I	停用(NOT USED)	
13	轉向馬達(STEERING MOTOR)																
	E2106006	30734	48V			1	A	B								停用(NOT USED)	
	E2103005					1			C	D	E					停用(NOT USED)	
	E2106018		72V			1			C	D	E					停用(NOT USED)	
	E2106017		48V			1						F	G	H	I	停用(NOT USED)	
14	方向泵浦(STEERING PUMP)																
	30735					1	A	B				F	G			停用(NOT USED)	
	M0305020					1			C	D	E		H	I		停用(NOT USED)	
	M0305036				2005/03	1							H	I		停用(NOT USED)	
15	六角頭螺栓(BOLT)																
	M1424-M8*40	92512467				4			C	D	E	F	G	H	I	停用(NOT USED)	
16	聯結塊(CONNECTION BOARD)																
	30736	B1508001				1	A	B								停用(NOT USED)	
	31469					1			C	D	E		H	I		停用(NOT USED)	
	31043					1						F	G			停用(NOT USED)	
17	接頭(CONNECTOR)																
	31004					1	A	B								停用(NOT USED)	
	33836	92508101				1	A	B								停用(NOT USED)	
	31416					1			C	D	E					停用(NOT USED)	
	31046					1						F	G	H	I	停用(NOT USED)	
18	接頭(CONNECTOR)																
	33639	92508104				1	A	B								停用(NOT USED)	
	31004					1	A	B				F	G	H	I	停用(NOT USED)	
	31426					1			C	D	E		H	I		停用(NOT USED)	
	35382					1						F	G			停用(NOT USED)	
19	O形環(O-RING)																
	M0801-P16	92505211				2	A	B				F	G			停用(NOT USED)	
	M0801-P16	92505211				1							H	I		停用(NOT USED)	

控制器系統
A334
CONTROLLER SYSTEM

馬達與泵浦

A334-4

MOTOR & PUMP (GE DC)

編號 NO.	零件名稱 (PARE NAME)										機號 BODY NO.	備註 REMARK				
	新碼 NEW PART NO.	舊碼 OLD PART NO.	規格 SPECIFICATION	互換性 I T C	應用日期 APPLIED DATE	數量 Q T Y	FB						FB (C)			
							1	1	2	2			3	1	1	2
A	B	C	D	E	F	G	H	I								
20	連接盤(CONNECT DISH)															
	31408					1		C	D	E			停用(NOT USED)			
	31041					1					F	G	停用(NOT USED)			
	31511					1						H	I	停用(NOT USED)		
21	六角承窩頭螺栓(BOLT)															
	M1401-M8*60					1		C	D	E	F	G	H	I	停用(NOT USED)	
22	六角頭螺栓(BOLT)															
	M1423012					4		C	D	E	F	G	H	I	停用(NOT USED)	
23	碳刷(CARBON BRUSH)															
	30559					4	A	B							停用(NOT USED)	
	E2106019P01					4	A	B							停用(NOT USED)	
	E2106006P01	30967				4			C	D	E				停用(NOT USED)	
	E2106020P02					4			C	D	E				停用(NOT USED)	
	E2106016P01					4						F	G		停用(NOT USED)	
	E2106023P01	31893				4							H	I	停用(NOT USED)	
	E2106024P01	31697				4							H	I	停用(NOT USED)	
24	O形環(O-RING)															
	M0801-P30	94008226				1	A	B				F	G	H	I	停用(NOT USED)
	M0801019					2	A	B								停用(NOT USED)
	M0801-P24	92509052				1			C	D	E	F	G	H	I	停用(NOT USED)
25	O形環(O-RING)															
	M0801-P18	92501107				1	A	B				F	G	H	I	停用(NOT USED)
	M0801-P30	94008226				1			C	D	E	F	G	H	I	停用(NOT USED)
	M0801-P28	92501216				1			C	D	E	F	G	H	I	停用(NOT USED)
26	接頭(CONNECTOR)															
	30558					1	A	B				F	G	H	I	停用(NOT USED)
	35381					1	A	B								停用(NOT USED)
	30965					1			C	D	E					停用(NOT USED)
	31057					1			C	D	E			H	I	停用(NOT USED)
	35383					1						F	G			停用(NOT USED)
27	平墊圈(WASHER)															
	M1602028					8	A	B								停用(NOT USED)
	M1602009	92511016				8			C	D	E					停用(NOT USED)
	M1602009	92511016				16						F	G	H	I	停用(NOT USED)
28	六角頭螺栓(BOLT)															
	M1423-M10*35	34010207				2	A	B				F	G	H	I	停用(NOT USED)
	32254	32506049A				2			C	D	E					停用(NOT USED)

控制器系統 A334 CONTROLLER SYSTEM

馬達與泵浦

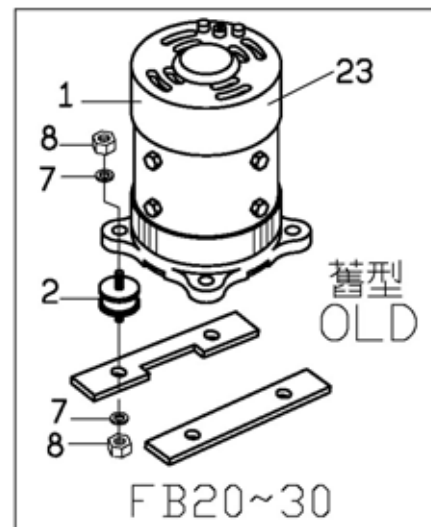
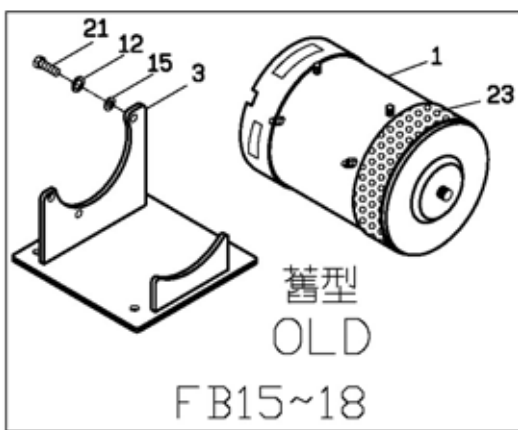
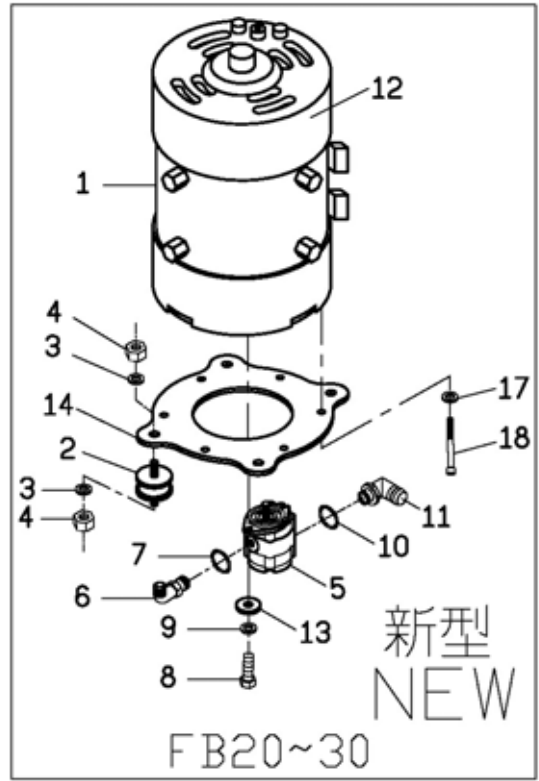
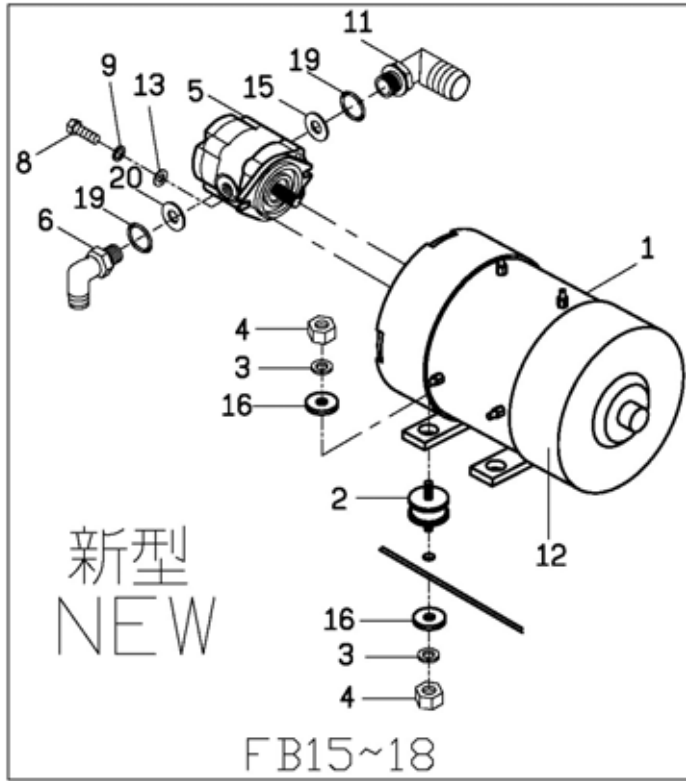
A334-4

MOTOR & PUMP (GE DC)

編號 NO.	零件名稱 (PARE NAME)										機號 BODY NO.	備註 REMARK				
	新碼 NEW PART NO.	舊碼 OLD PART NO.	規格 SPECIFICATION	互換性 I T C	應用日期 APPLIED DATE	數量 Q T Y	FB						FB (C)			
							1	1	2	2			3	1	1	2
5	8	0	5	0	5	8	0	5								
29	平墊圈(WASHER)															
	M1602012	92511111				4	A	B				停用 (NOT USED)				
	M1602012	92511111				2		C	D	E	F	G	H	I	停用 (NOT USED)	
30	平墊圈(WASHER)															
	M1602010	92507027				8	A	B				停用 (NOT USED)				
31	墊圈(WASHER)															
	32715	92511035				8	A	B				停用 (NOT USED)				
32	接頭(CONNECTOR)															
	35388	30690				1	A	B				停用 (NOT USED)				
33	六角螺帽(NUT)															
	M1501-M6					2	A	B				停用 (NOT USED)				
34	彈簧墊圈3號(SPRING WASHER)															
	M1605-M6	92503218				2	A	B				停用 (NOT USED)				
35	六角頭螺栓(BOLT)															
	M1402-M6*40					2	A	B				停用 (NOT USED)				
36	六角頭螺栓(BOLT)															
	M1402-M8*40					3	A	B				停用 (NOT USED)				
37	六角頭螺栓(BOLT)															
	M1402-M10*20					2	A	B				停用 (NOT USED)				
38	接頭(CONNECTOR)															
	35392	92507303				1					F	G		停用 (NOT USED)		
39	墊片(WASHER)															
	34452		Tailift motor			1	A	B				停用 (NOT USED)				
40	六角頭螺栓(BOLT)															
	M1424-M8*30	92503010				4					F	G	H	I	停用 (NOT USED)	
41	六角頭螺栓(BOLT)															
	M1424-M8*25	92501104				2					F	G	H	I	停用 (NOT USED)	
42	束環(RING CLAMP)															
	31405					2						H	I	停用 (NOT USED)		
	31044					2					F	G	H	I	停用 (NOT USED)	
43	O形環(O-RING)															
	M0801-P14	92516406				1		C	D	E		H	I	停用 (NOT USED)		
44	O形環(O-RING)															
	M0801-P18	92501107				2		C	D	E				停用 (NOT USED)		
	M0801-P18	92501107				1					F	G	H	I	停用 (NOT USED)	
45	墊片(WASHER)															
	35394		Tailift motor			1	A	B				停用 (NOT USED)				

控制器系統 A334 CONTROLLER SYSTEM

馬達與泵浦
A334-4A
MOTOR & PUMP (SEVCON DC)



控制器系統 A334 CONTROLLER SYSTEM

馬達與泵浦

A334-4A

MOTOR & PUMP (SEVCON DC)

編號 NO.	零件名稱 (PARE NAME)										機號 BODY NO.	備註 REMARK					
	新碼 NEW PART NO.	舊碼 OLD PART NO.	規格 SPECIFICATION	互換性 I T C	應用日期 APPLIED DATE	數量 Q T Y	FB						FB (C)				
							1	1	2	2			3	1	1	2	2
5	8	0	5	0	5	8	0	5									
1	舉升馬達(MOTOR)																
	E2106002		48V			1	A	B									停用 (NOT USED)
	E2106021		45V		2003/03	1	A	B						EY316994			停用 (NOT USED)
	E2106012		80V			1			C	D	E						停用 (NOT USED)
	E2106022		75V		2003/03	1			C	D	E			EY316994			停用 (NOT USED)
2	避震墊(SHOCK PAD)																
	30557					4	A	B	C	D	E						停用 (NOT USED)
	30557A					4	A	B	C	D	E						停用 (NOT USED)
3	彈簧墊圈3號(SPRING WASHER)																
	M1605-M12	92501024				8	A	B	C	D	E						停用 (NOT USED)
4	六角螺帽(NUT)																
	M1513002	92504014				8	A	B	C	D	E						停用 (NOT USED)
5	油壓泵浦(HYDRAULIC PUMP)																
	M0305017					1	A	B									停用 (NOT USED)
	M0305022					1	A	B									停用 (NOT USED)
	M0305018	30964				1			C	D	E						停用 (NOT USED)
6	接頭(CONNECTOR)																
	31057					1	A	B									停用 (NOT USED)
	35390					1	A	B									停用 (NOT USED)
	30558					1			C	D	E						停用 (NOT USED)
	30724					1			C	D	E						停用 (NOT USED)
7	O形環(O-RING)																
	M0801-P18	92501107				1			C	D	E						停用 (NOT USED)
8	六角頭螺栓(BOLT)																
	M1423-M10*35	34010207				2	A	B									停用 (NOT USED)
	32254	32506049A				2			C	D	E						停用 (NOT USED)
9	彈簧墊圈3號(SPRING WASHER)																
	M1606-M10	34010208				2	A	B									停用 (NOT USED)
	M1605-M10	92501218				2			C	D	E						停用 (NOT USED)
10	O形環(O-RING)																
	M0801-P28	92501216				1			C	D	E						停用 (NOT USED)
11	接頭(CONNECTOR)																
	30558					1	A	B									停用 (NOT USED)
	35381					1	A	B									停用 (NOT USED)
	30965					1			C	D	E						停用 (NOT USED)
	31057					1			C	D	E						停用 (NOT USED)

控制器系統
A334
CONTROLLER SYSTEM

馬達與泵浦

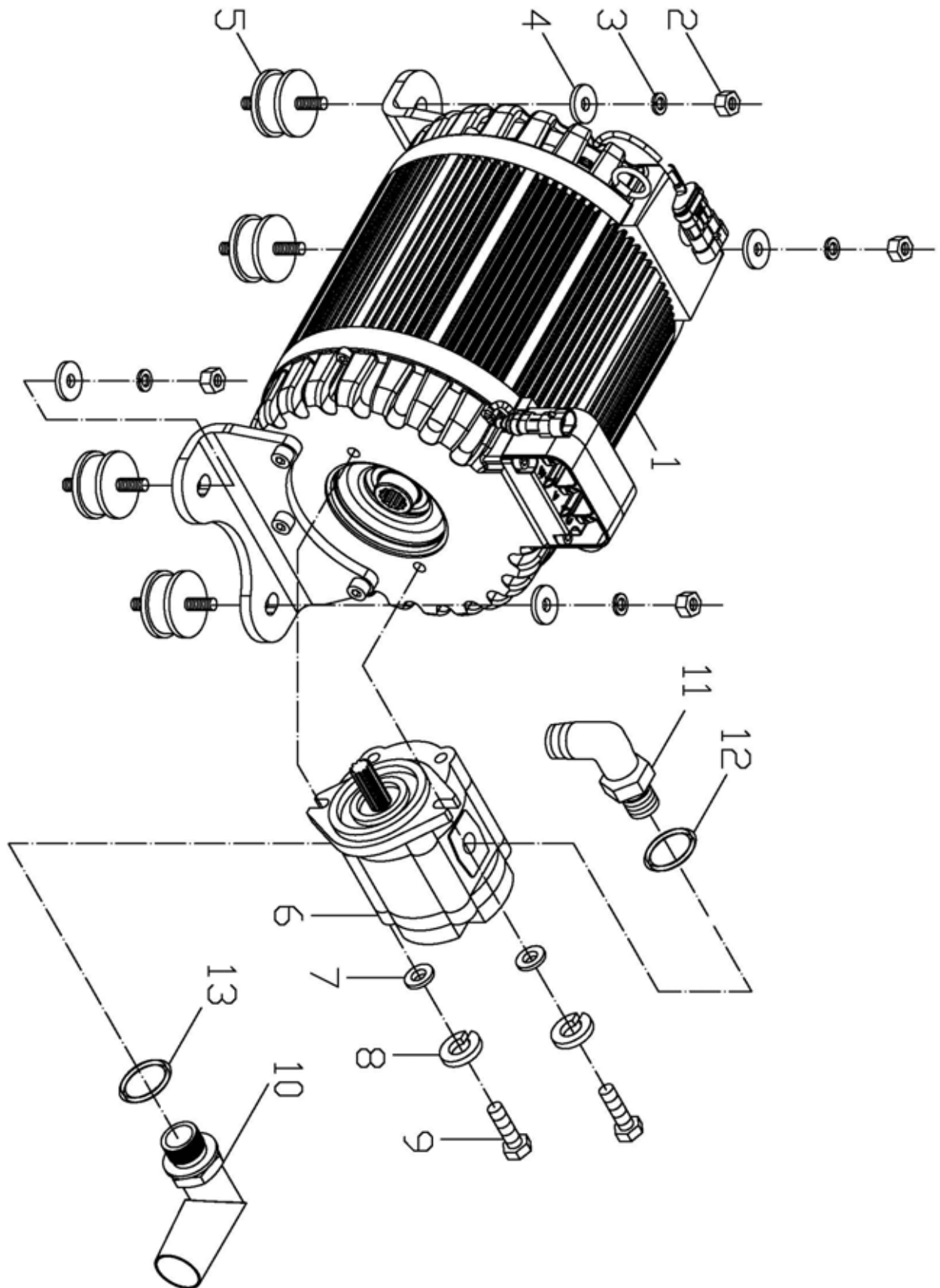
A334-4A

MOTOR & PUMP (SEVCON DC)

編號 NO.	零件名稱 (PARE NAME)				FB					FB (C)			機號 BODY NO.	備註 REMARK	
	新碼 NEW PART NO.	舊碼 OLD PART NO.	規格 SPECIFICATION	互換性 I T C	應用日期 APPLIED DATE	數量 Q T Y	1 5 A	1 8 B	2 0 C	2 5 D	3 0 E	1 5 F			1 8 G
12	碳刷(CARBON BRUSH)														
	30559					4	A	B							停用(NOT USED)
	E2106019P01					4	A	B							停用(NOT USED)
	E2106006P01	30967				4			C	D	E				停用(NOT USED)
	E2106020P02					4			C	D	E				停用(NOT USED)
13	平墊圈(WASHER)														
	M1602012	92511111				1	A	B	C	D	E				停用(NOT USED)
14	固定板(FIXED BOARD)														
	30988					1	A	B							停用(NOT USED)
	31903					1			C	D	E				停用(NOT USED)
15	墊片(WASHER)														
	34452		Tailift motor			1	A	B							停用(NOT USED)
16	平墊圈(WASHER)														
	M1602028					8	A	B							停用(NOT USED)
17	彈簧墊圈3號(SPRING WASHER)														
	M1605-M8	92501019				6			C	D	E				停用(NOT USED)
18	六角承窩頭螺栓(BOLT)														
	M1401-M8*75					6			C	D	E				停用(NOT USED)
19	O形環(O-RING)														
	M0801019					2	A	B							停用(NOT USED)
20	墊片(WASHER)														
	35394		Tailift motor			1	A	B							停用(NOT USED)
21	六角頭螺栓(BOLT)														
	M1423-M10*35	34010207				2	A	B							停用(NOT USED)

控制器系統
A334
CONTROLLER SYSTEM

馬達與泵浦
A334-4B
MOTOR & PUMP (SME AC)



A334-4B-1

控制器系統
A334
CONTROLLER SYSTEM

馬達與泵浦

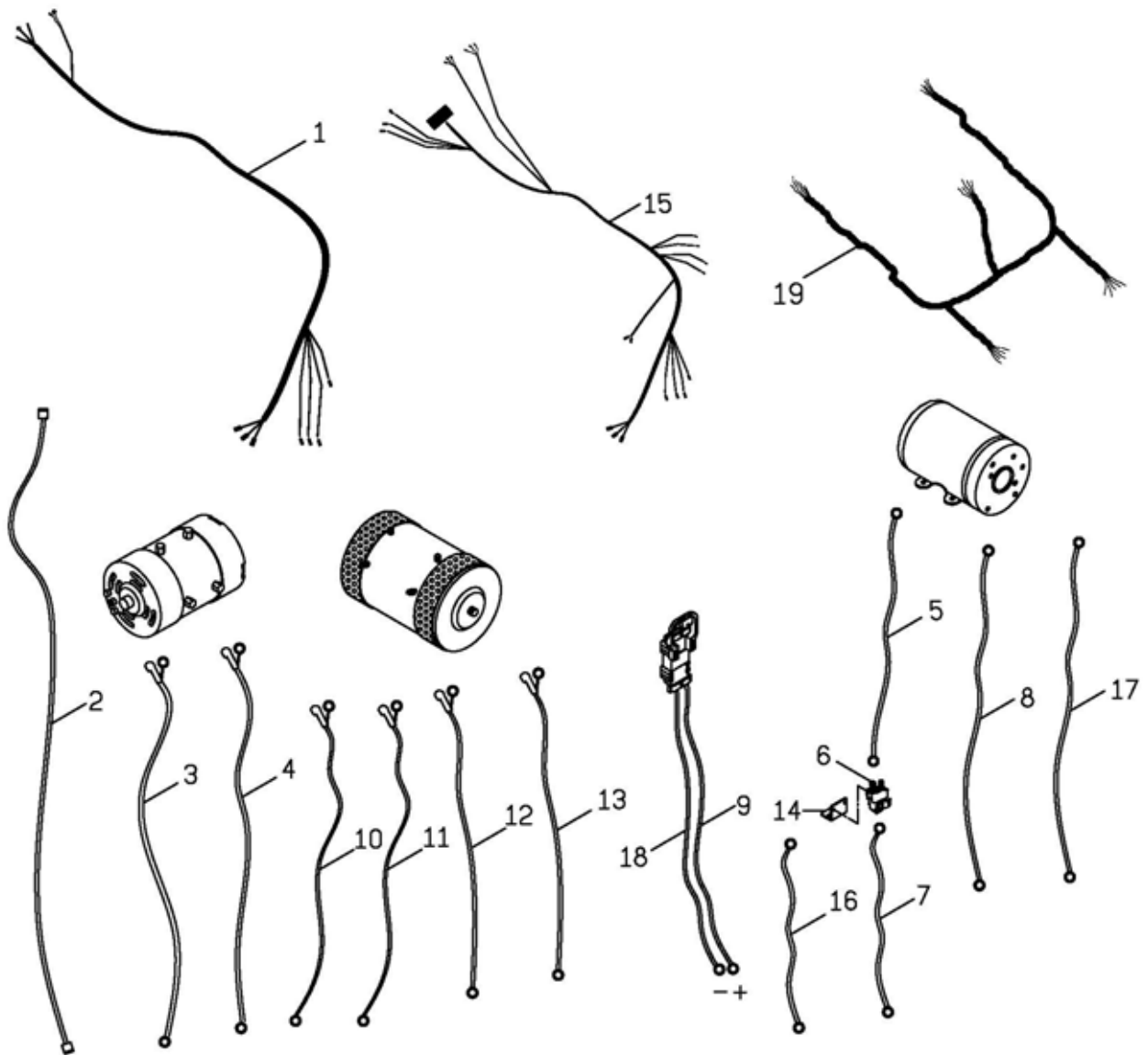
A334-4B

MOTOR & PUMP (SME AC)

編號 NO.	零件名稱 (PARE NAME)										機號 BODY NO.	備註 REMARK				
	新碼 NEW PART NO.	舊碼 OLD PART NO.	規格 SPECIFICATION	互換性 I T C	應用日期 APPLIED DATE	數量 Q T Y	FB						FB (C)			
							1	1	2	2			3	1	1	2
5	8	0	5	0	5	8	0	5								
1	舉升馬達(MOTOR)											停用 (NOT USED)				
	E2106026		80V		2008/05	1				E						
	E2106025		48V		2008/05	1	A	B	C	D	F		G	H	I	
	E2106026A		80V		2009/02	1					E					
2	六角螺帽(NUT)															
	M1502-M8	92509013				4	A	B	C	D	E		F	G	H	I
3	彈簧墊圈3號(SPRING WASHER)															
	M1605-M8	92501019				4	A	B	C	D	E		F	G	H	I
4	平墊圈(WASHER)															
	M1602006	92507009				4	A	B	C	D	E		F	G	H	I
5	避震墊(SHOCK PAD)											停用 (NOT USED)				
	31039					4	A	B	C	D	E		F	G	H	I
	31039A				2011/10	4	A	B	C	D	E		F	G	H	I
6	油壓泵浦(HYDRAULIC PUMP)											停用 (NOT USED)				
	3000287				2008/11	1	A	B			F		G			
	3000287A				2010/03	1	A	B			F		G			
	3000389				2009/03	1			C	D	E			H	I	
7	平墊圈(WASHER)															
	M1602013	92520420				2	A	B	C	D	E		F	G	H	I
8	彈簧墊圈3號(SPRING WASHER)															
	M1605-M10	92501218				2	A	B	C	D	E		F	G	H	I
9	六角頭螺栓(BOLT)															
	M1424004	92501102				2	A	B	C	D	E		F	G	H	I
10	接頭(CONNECTOR)															
	31057					1	A	B	C	D	E		F	G	H	I
11	接頭(CONNECTOR)															
	30724					1	A	B	C	D	E		F	G	H	I
12	O形環(O-RING)															
	M0801019					1	A	B	C	D	E		F	G	H	I
13	O形環(O-RING)															
	M0801-P28	92501216				1	A	B	C	D	E		F	G	H	I

控制器系統
A334
CONTROLLER SYSTEM

電路系統
A334-5
ELECTRICAL SYSTEM (GE DC & SEVCON DC)



控制器系統 A334 CONTROLLER SYSTEM

電路系統
A334-5

ELECTRICAL SYSTEM (GE DC & SEVCON DC)

編號 NO.	零件名稱 (PARE NAME)										機號 BODY NO.	備註 REMARK				
	新碼 NEW PART NO.	舊碼 OLD PART NO.	規格 SPECIFICATION	互換性 I T C	應用日期 APPLIED DATE	數量 Q T Y	FB						FB (C)			
							1	1	2	2			3	1	1	2
A	B	C	D	E	F	G	H	I								
1	控制器電線總成(CONTROLLER WIRING ASSY)															
	E0105024		48V			1	A	B				停用 (NOT USED)				
	E0105026		24V			1		C	D	E		停用 (NOT USED)				
	E0105007		48V			1					F	G	H	I	停用 (NOT USED)	
2	儀錶線(CONSOLE WIRE)															
	E0105127					1	A	B				停用 (NOT USED)				
	E0105128					1		C	D	E		停用 (NOT USED)				
	E0105008					1					F	G	H	I	停用 (NOT USED)	
3	電源線(PA)(POWER CABLE)(PA)															
	E0105009					1					F	G			停用 (NOT USED)	
	E0105047					1						H	I		停用 (NOT USED)	
4	電源線(PB)(POWER CABLE)(PB)															
	E0105010					1					F	G			停用 (NOT USED)	
	E0105048					1						H	I		停用 (NOT USED)	
5	電源線(+)(POWER CABLE)(+)															
	E0105011					1					F	G			停用 (NOT USED)	
	E0105049					1						H	I		停用 (NOT USED)	
6	繼電器(SP)(RELAY)															
	E0212005					1					F	G	F	I	停用 (NOT USED)	
7	電源線(POWER CABLE)															
	E0105012					1					F	G	H	I	停用 (NOT USED)	
8	電源線(-)(POWER CABLE)(-)															
	E0105013					1					F	G			停用 (NOT USED)	
	E0105051					1						H	I		停用 (NOT USED)	
9	電源線(+)(POWER CABLE)(+)															
	E0105182					1	A	B				停用 (NOT USED)				
	E0105183					1		C	D	E		停用 (NOT USED)				
	E0105014					1					F	G			停用 (NOT USED)	
	E0105052					1						H	I		停用 (NOT USED)	
10	電源線(D2)(POWER CABLE)(D2)															
	E0105015					1					F	G			停用 (NOT USED)	
	E0105053					1						H	I		停用 (NOT USED)	
11	電源線(A2)(POWER CABLE)(A2)															
	E0105016					1					F	G			停用 (NOT USED)	
	E0105054					1						H	I		停用 (NOT USED)	
12	電源線(D1)(POWER CABLE)(D1)															
	E0105017					1					F	G			停用 (NOT USED)	
	E0105055					1						H	I		停用 (NOT USED)	

控制器系統
A334
CONTROLLER SYSTEM

電路系統
A334-5

ELECTRICAL SYSTEM (GE DC & SEVCON DC)

編號 NO.	零件名稱 (PART NAME)										機號 BODY NO.	備註 REMARK				
	新碼 NEW PART NO.	舊碼 OLD PART NO.	規格 SPECIFICATION	互換性 I T C	應用日期 APPLIED DATE	數量 Q T Y	FB						FB (C)			
							1	1	2	2			3	1	1	2
A	B	C	D	E	F	G	H	I								
13	電源線(A1)(POWER CABLE)(A1)															
	E0105018					1					F G		停用 (NOT USED)			
	E0105056					1					H I		停用 (NOT USED)			
14	固定架(FIXED PLANK)															
	31067					1					F G H I		停用 (NOT USED)			
15	燈光電線總成(LIGHT WIRING ASSY)															
	E0105025		48V			1	A B						停用 (NOT USED)			
	E0105027		24V			1	C D E						停用 (NOT USED)			
	E0105058		48V			1					F G H I		停用 (NOT USED)			
16	電源線(POWER CABLE)															
	E0105188					1					F G H I		停用 (NOT USED)			
17	電源線(1A)(POWER CABLE)(1A)															
	E0105189					1					F G H I		停用 (NOT USED)			
18	電源線(-)(POWER CABLE)(-)															
	E0105184					1	A B						停用 (NOT USED)			
	E0105185					1	C D E						停用 (NOT USED)			
	E0105186					1					F G		停用 (NOT USED)			
	E0105187					1					H I		停用 (NOT USED)			
19	全車線總成(CABLE SUB-ASSY)															
	E0105290					1					I		停用 (NOT USED)			

控制器系統 A334 CONTROLLER SYSTEM

電路系統
A334-5A
ELECTRICAL SYSTEM (SME AC)

