

# ACE

# FORKLIFTS

Capacity : 25 - 35 tonnes

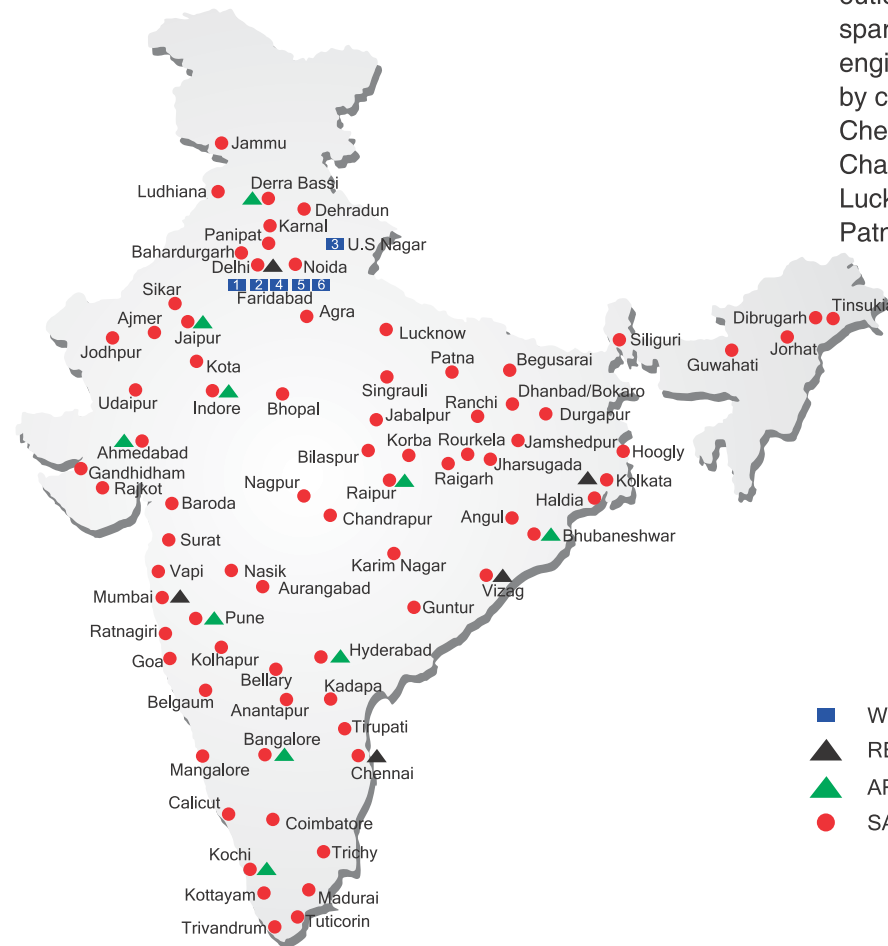
High Performance, rugged Forklift Trucks.

**ACE** INDIA'S NO. 1  
MOBILE & TOWER CRANE CO.



Nothing beats an **ACE**

## ALL INDIA NETWORK



### SPARE PARTS & SERVICE

ACE has all India Sales and Service network operating out of all the major cities. These outlets are fully equipped to provide genuine spare parts and services by company trained engineers. These outlets are further supported by company officials based at Delhi, Mumbai, Chennai, Kolkatta, Ahmedabad, Pune, Jaipur, Chandigarh, Ranchi, Raipur, Indore, Bhubneshwar, Lucknow, Hyderabad, Bangalore, Guwahati, Patna, Vizag & Cochin.

- WORKS
- ▲ REGIONAL OFFICES
- ▲ AREA OFFICES
- SALES AND SERVICE DEALERS

#### MARKETING H.Q.

5 th Floor, "TDI Center", Jasola , New Delhi - 25  
Ph.: +91-11-40549900 (30 Lines) Fax : 40549922  
E-mail: marketing@ace-cranes.com

#### FORKLIFT DIVISION HQ/DELHI OFFICE

7, Pocket-H, IInd Floor, L.S.C., Sarita Vihar, New Delhi - 76  
Ph.: +91-11-49390000 (30 Lines) Fax: 49390099  
E-mail: forklifts@ace-cranes.com, forkliftsnorth@ace-cranes.com

#### MUMBAI OFFICE

401, Shrikant Chamber, S. T. Road, Next to R.K. Studio, Chembur, Mumbai - 400 071  
Telefax: +91-22-25207068  
E-mail: acemumbai@ace-cranes.com, forkliftswest@ace-cranes.com

#### KOLKATA OFFICE

"Fomra Towers" 84-A, Second Floor, AJC Bose Road, Kolkatta - 14. Ph. 033-32578307, Telefax: 22274428  
E-mail: acekolkatta@ace-cranes.com, forkliftseast@ace-cranes.com

#### CHENNAI OFFICE

1st Floor, "Alsa Regency", 165, Eldams Road, Alwar Pet, Chennai - 18  
Ph.: 044 - 24314253 Telefax : 24314252  
E-mail: acechennai@ace-cranes.com, forkliftssouth@ace-cranes.com



# ACE

**Action Construction Equipment Ltd.**

Contact:

**CVI**  
CERTIFIED  
MANAGEMENT SYSTEM  
**ISO 9001**

ACE reserves the right to alter any specifications without prior notice. Dimensions, weights & capacities mentioned herein are variable by ± 10%. Accessories if shown are not part of the Standard Equipment.



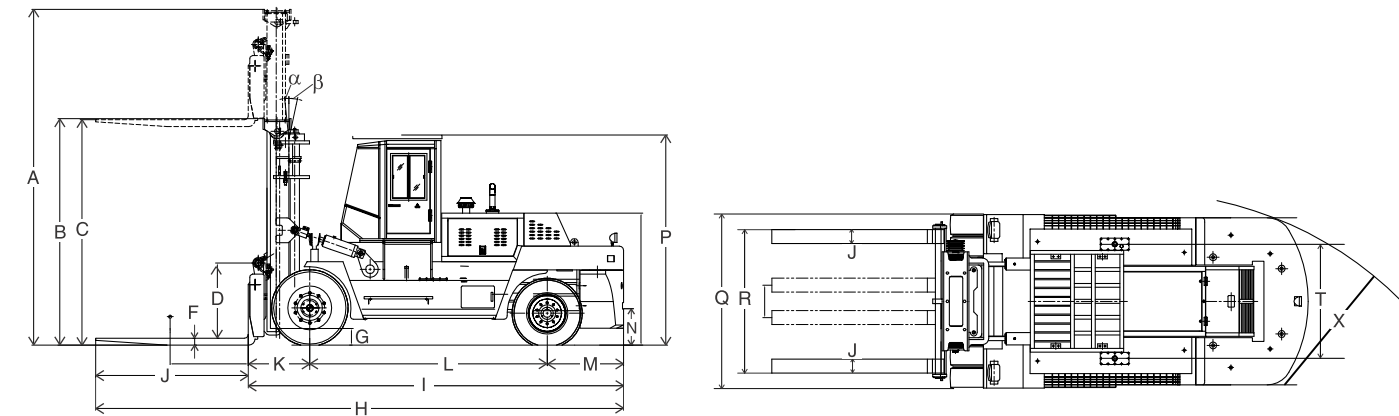
www.ace-cranes.com

AF 2500-AF 3500D/4/13



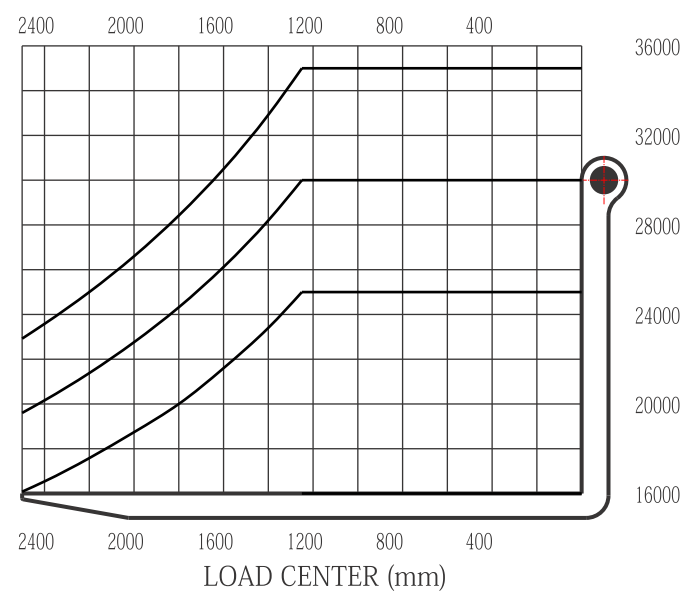
### SPECIFICATIONS

Model	Unit	AF 250D	AF 300D	AF 350D		
Load Capacity	Kg.	25000	30000	35000		
Load Center	mm	1220	1220	1220		
Power		Diesel				
Tyres	Front / Rear	Pneumatic				
Wheel (s)	Front / Rear	4/2				
Fork Size (LxWxT)	mm	2440X280X110	2440X320X110	2440X340X125		
Tilt Angle (α - β)	deg	6° - 12°				
Turning Radius (Outside)	mm	6500	7200	7200		
Right Angle Stacking Aisle Width (Add Load length and Clearance)	mm	9940	10840	10955		
Speed (s)	Travel (Fwd / Rvs)	With Load	Km/h	24	24	25
		Without Load	Km/h	28	28	30
	Lifting	With Load	mm/s	220	230	230
		Without Load	mm/s	280	280	280
	Lowering	With Load	mm/s	≤500	≤500	≤500
		Without Load	mm/s	≤500	≤500	≤500
Gradeability	With / Without Load	%	20	20	20	
Total Weight	Kg	33000	39500	43000		
Weight Distribution	With Load	Front	Kg	52200	63000	71300
		Rear	Kg	5000	6500	6700
	Without Load	Front	Kg	15000	18500	19200
		Rear	Kg	18000	21000	23800
Tyre Sizes	Front		4x14.00-24/28PR	4x14.00-24/28PR	4x16.00-25/32PR	
	Rear		2x14.00-24/28PR	2x14.00-24/28PR	2x16.00-25/28PR	
Brake (s)	Service		Caliper disc brake			
	Parking		inside expanding manual brake			
Battery	Voltage / Capacity	V / AH	2x12V/120			
Engine	Rated Horsepower	bhp/r.p.m	240 hp @ 2200	260 hp @ 2200	260 hp @ 2200	
	Rated Torque	N.m(Kg.m)/r.p.m	1029/1500	1025/1400	1025/1400	
	Number of Cylinders	Nos.	6	6	6	
	Displacement	Ltrs.	8.3	8.3	8.3	
	Fuel Tank Capacity	Ltrs.	300	350	350	
Transmission	Number of Speeds - Fwd / Rvs		2F/1R			
Operating Pressure	For Attachment	Kg / cm <sup>2</sup>	180			



### STANDARD DIMENSIONS

Model	AF 250D	AF 300D	AF 350D
	mm	mm	mm
A. Overall height fork raised	5380	5770	5820
B. Max. fork height (Standard Model)	3500		
C. Overall height fork lowered	3610	4000	4050
D. Backrest height (from upper face of forks)	1035	1290	1290
E. Free lift	—	—	—
F. Fork thickness	110	110	125
G. Min. clearance (bottom of mast)	250	400	400
H. Overall length (with forks)	9070	9690	9705
I. Overall length (without forks)	6630	7250	7265
J. Fork length	2440	2440	2440
K. Front overhang	1000	1110	1125
L. Wheel base	4400	4800	4800
M. Rear overhang	1275	1340	1340
N. Coupler height	1845	1940	2100
O. Overhead guard clearance (from face of seat)	1050	1050	1050
P. Overall height (overhead guard)	3580	3700	3760
Q. Overall width	3020	3200	3300
R. Lateral fork adjustment	852-2270	930-2620	970-2800
S. Tread (front)	2200	2490	2490
T. Tread (rear)	2390	2450	2450
U. Fork width	280	320	340
V. Inside turning radius	1220	1590	1540
W. Outside turning radius	6500	7300	7400
X. Min. intersecting aisle	5600	5800	6000
Y. Tilting angles (α - β)	6° - 12°		



\*RASA = Right Angle Stacking Aisle, a = Clearance, b = Load Length