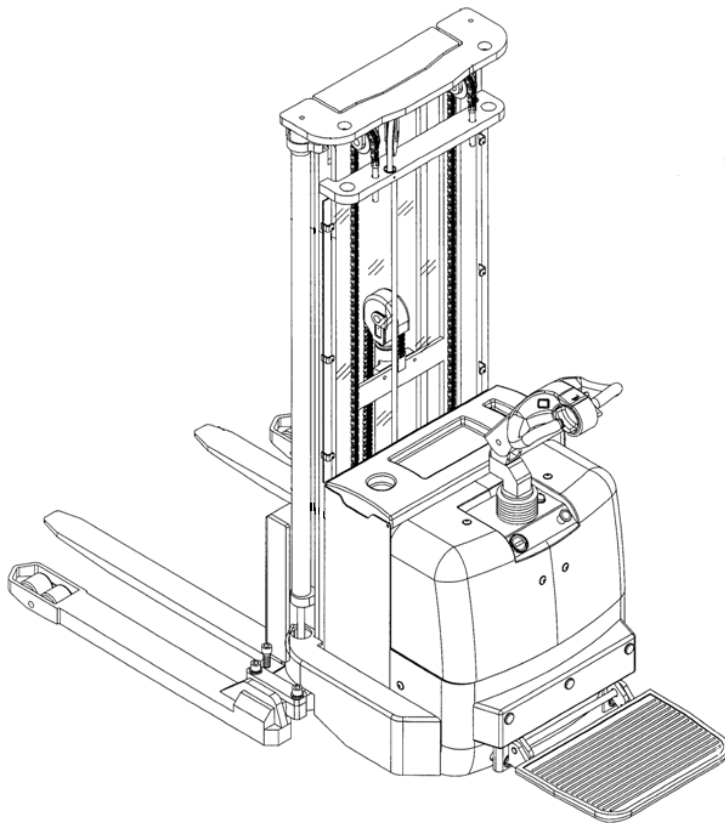


CS15IIIIM-BPT-003\_EN



# Parts & Components Manual

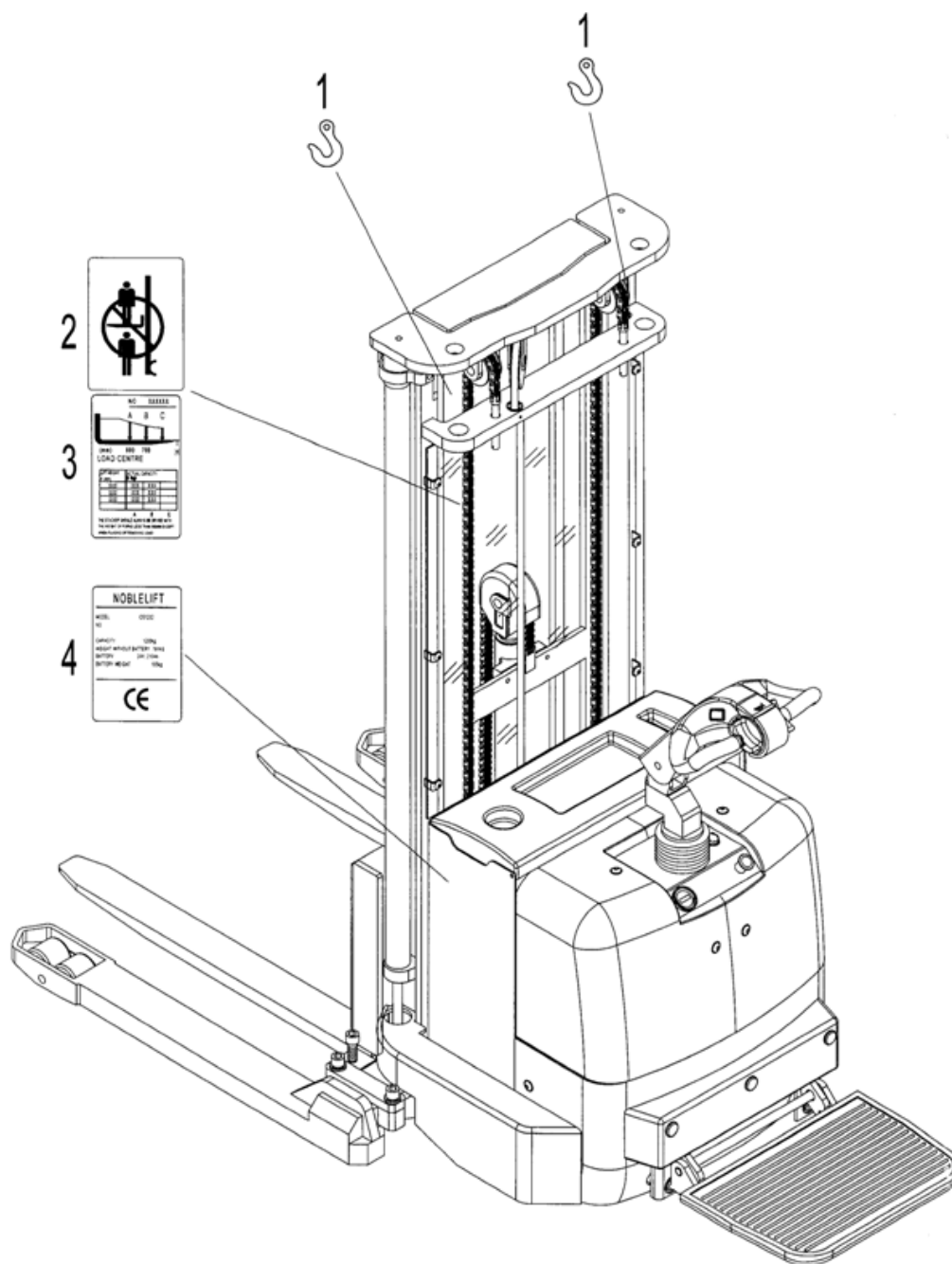
## CS15IIIIM

Publication: 2013.05

# Table of Content

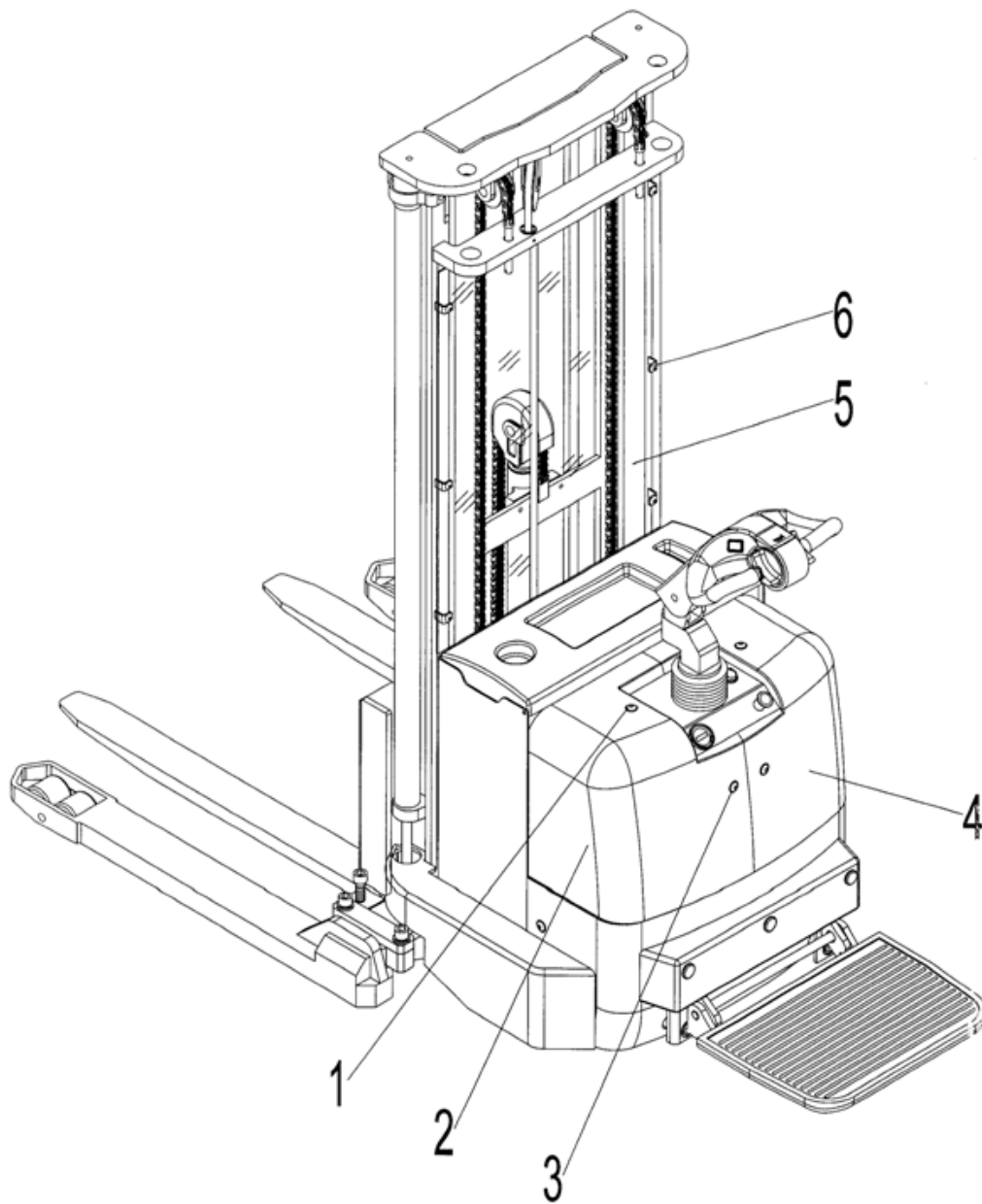
Figure 1 Label .....	1
Figure 2 Appearance .....	2
Figure 3 Battery Case.....	3
Figure 4 Chassis System .....	4
Figure 5 Switchboard .....	5
Figure 6 Driving Wheel Carrier .....	6
Figure 7 Driving Wheel (6ELDC-D) .....	8
Figure 8 Driving wheel (6ELDC- E) .....	11
Figure 9 Steering Wheel .....	13
Figure 10 Double load wheel.....	14
Figure 11 Single load wheel .....	15
Figure 12 Noblelift Handle .....	16
Figure 13 CANBUS Handle .....	18
Figure 14 Handle spindle .....	20
Figure 15 Swinging Handle Spindle (Optional) .....	21
Figure 16 Exploded view of Master Line .....	22
Figure 17 Exploded view of Master Line (with pump function) .....	23
Figure 18 Domestic Handle Control Harness .....	24
Figure 19 CANBUS Handle Control Harness .....	25
Figure 20 CANBUS Handle Control Harness (with pump function) .....	26
Figure 21 Universal Parts for Entire Unit .....	27
Figure 22 CANBUS Handle Controller Assembly .....	29
Figure 23 General Controller Assembly .....	31
Figure 24 Handle Controller Assembly (with pump function) .....	33
Figure 25 Pipeline System .....	35
Figure 26 Outer Cylinder .....	37
Figure 27 Inner Cylinder Sealing Parts.....	38
Figure 28 Pump System .....	39
Figure 29 Main Frame.....	41
Figure 30 Chain System .....	42
Figure 31 Other Accessories of Main Frame.....	44
Figure 32 Pallet Bracket .....	45
Figure 33 Foot Pedal .....	46
Figure 34 Protective Arm .....	47
Figure 35 Load Back-rest.....	48

**Figure 1 Label**



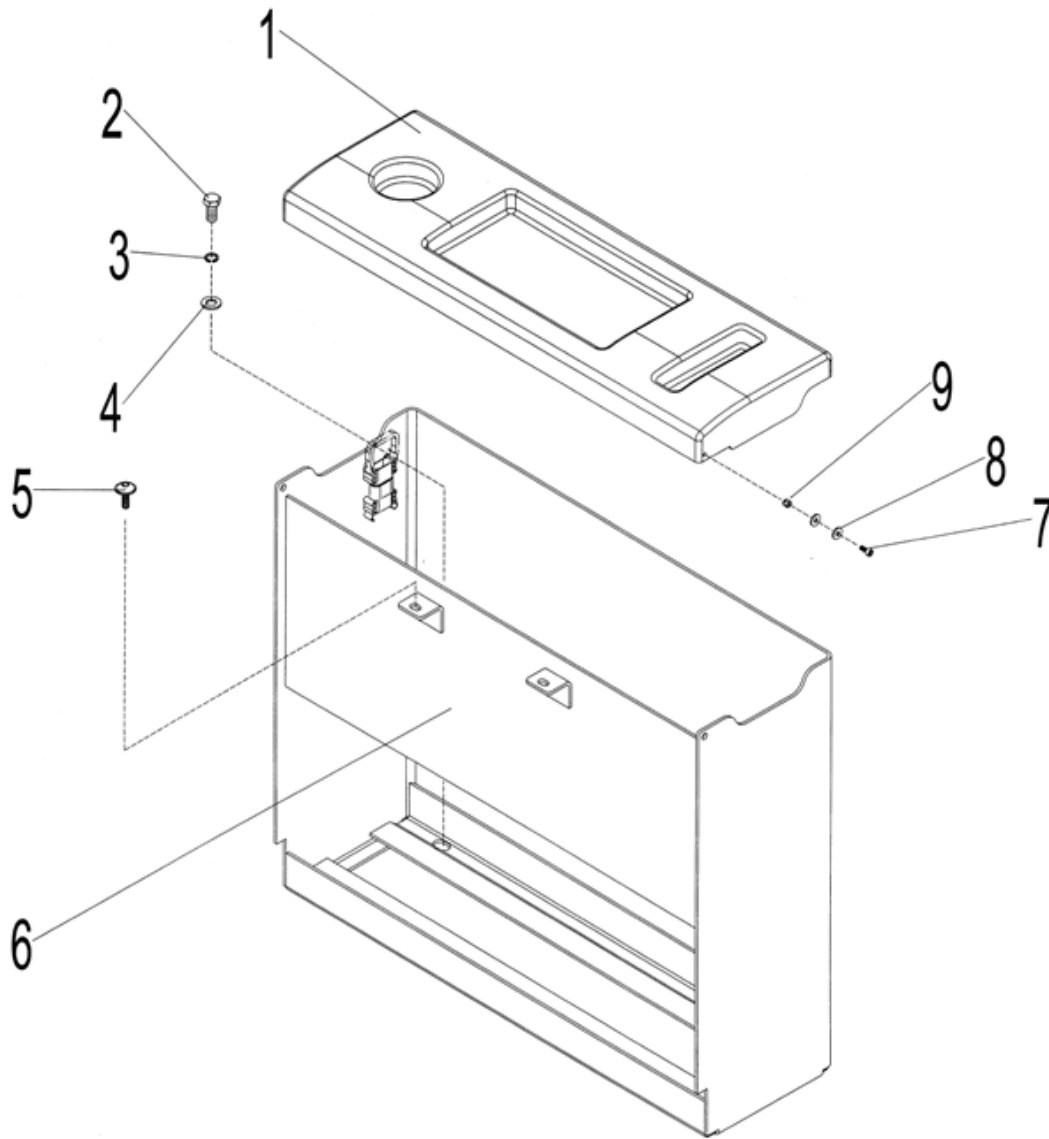
No.	Description	Quantity	Remarks
1	Hook label	2	
2	Warning label	2	
3	Curve graph label	2	
4	Nameplate label	2	

**Figure 2 Appearance**



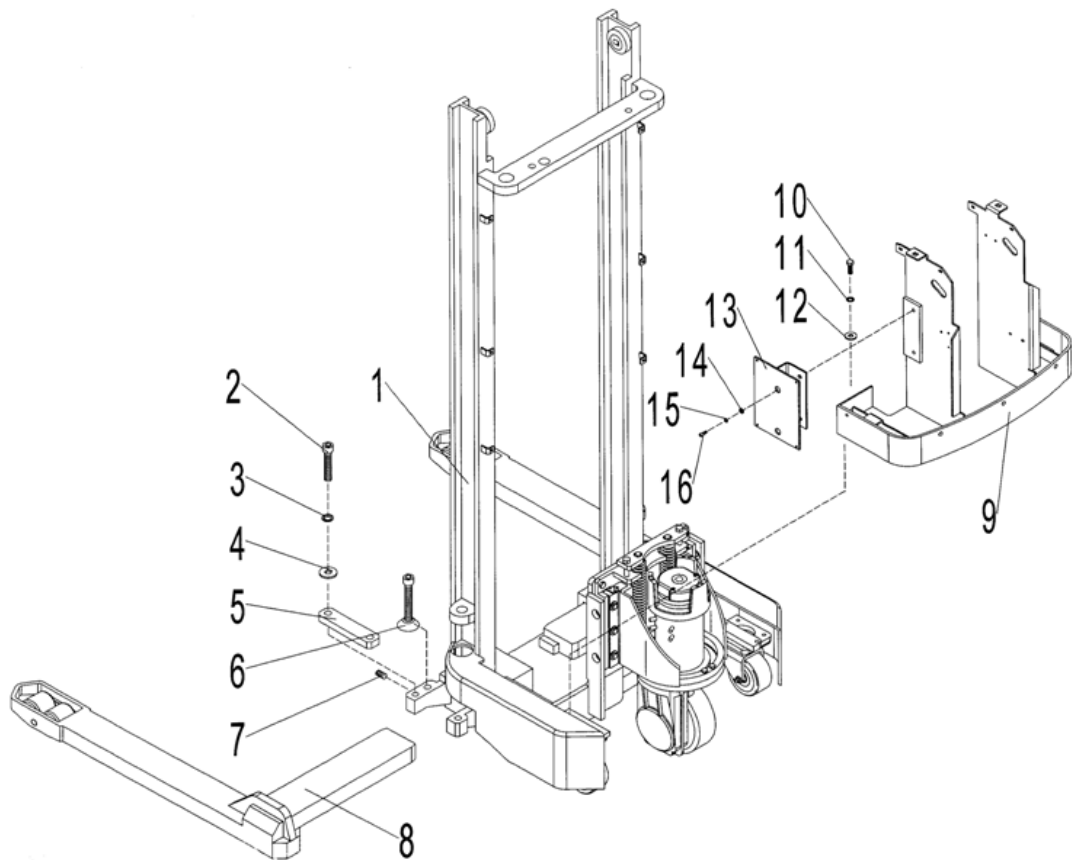
No.	Part Number	Item	Quantity	Remarks
1	1000423001	Screw	2	
2	2000403002	Left electric box cover	1	
3	1000423003	Screw	2	
4	2000403003	Right electric box cover	1	
5	2040603003	Protective shield	1	680X1020
6	2040623001	Nylon rivet	6	

**Figure 3 Battery Case**



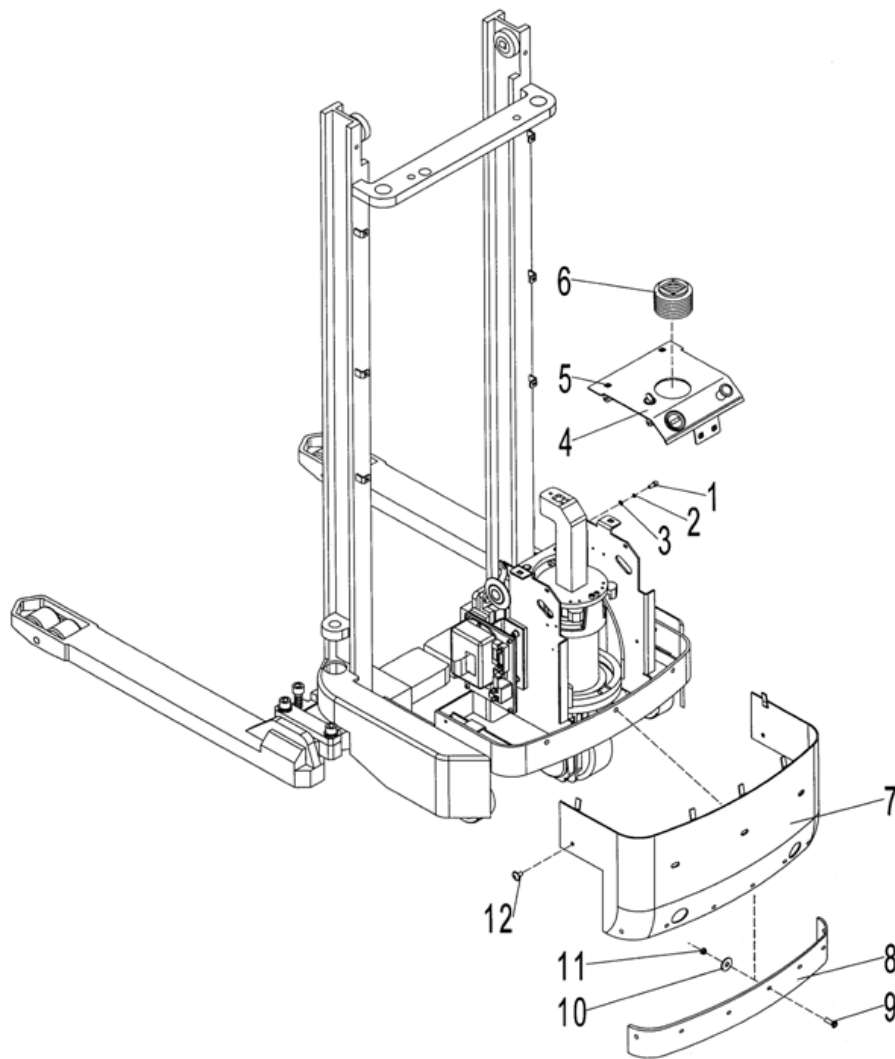
No.	Part Number	Item	Quantity	Remarks
1	2040403001	Battery case cover	1	
2	0000023101	Bolt	4	
3	0000025024	Spring washer	4	
4	0000025032	Flat washer	4	
5	1000423001	Screw	2	
6	2040401006	Battery case	1	
7	0000023107	Screw	2	
8	0000025014	Flat washer	4	
9	0000024007	Nut	2	

**Figure 4 Chassis System**



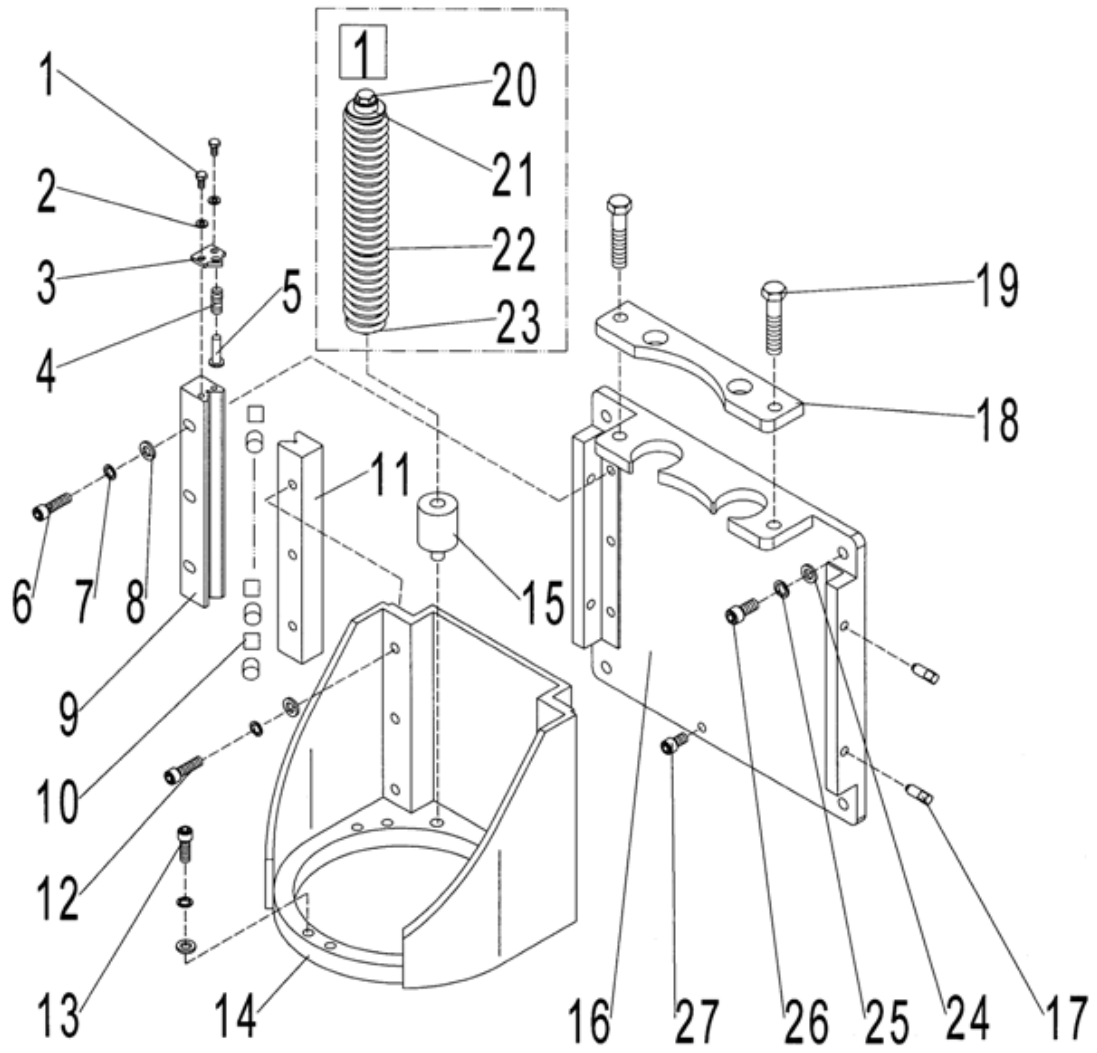
No.	Part Number	Item	Quantity	Remarks
1	2050601002	Chassis	1	
2	0000023453	Screw	4	
3	0000025031	Flat washer	4	
4	0000025033	Spring washer	4	
5	2030402001	Pressure plate	2	
6	2050402002	Supporting assembly	2	
7	0000023490	Screw	4	
8	2050401002	Left leg	1	
	2050401001	Right leg	1	
9	2040401002	Distribution box	1	
10	0000023082	Bolt	4	
11	0000025024	Spring washer	4	
12	0000025025	Big washer	4	
13	2040401003	Controller board	1	
14	0000025002	Flat washer	2	
15	0000023006	Spring washer	2	
16	0000023080	Screw	2	

**Figure 5 Switchboard**



No.	Part Number	Item	Quantity	Remarks
1	0000023044	Screw	4	
2	0000025001	Spring washer	4	
3	0000025011	Flat washer	4	
4	2000401012	Control panel	1	
5	1000424001	Nut	4	
6	1020118001	Protective cover	1	
7	2040401001	External cover	1	
8	2040418001	Rubber for external cover	1	
9	0000023084	Screw	7	
10	0000025036	Big washer	7	
11	0000024003	Nut	7	
12	2000423001	Screw	2	

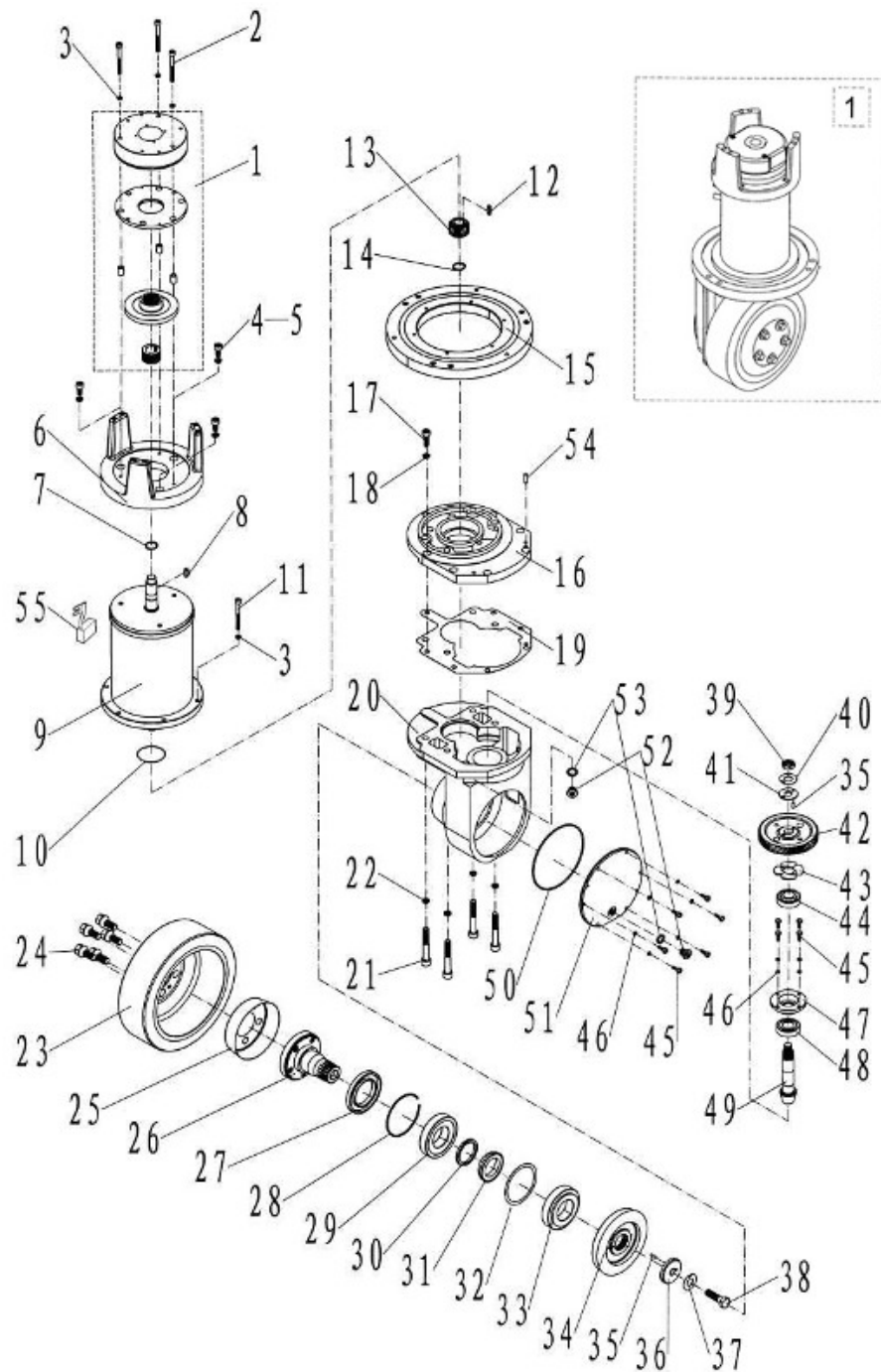
Figure 6 Driving Wheel Carrier





No.	Part Number	Item	Quantity	Remarks
1	0000023042	Screw	8	
2	0000025010	Spring washer	8	
3	2000202006	End cover	4	
4	2000231001	Spring	4	
5	2000207001	Spring spindle	4	
6	0000023099	Screw	6	
7	0000023006	Spring washer	18	
8	0000025002	Flat washer	18	
9	2000202004	External V-block	2	
10	2000202008	Roller	24	
11	2000202005	Internal V-block	2	
12	0000023025	Screw	6	
13	0000023029	Screw	6	
14	2000201005	Wheel carrier	1	
15	2000202003	Cushion block	2	
16	2000201004	Supporting carrier	1	
17	0090000408	Screw	4	
18	2000202002	Top plate	1	
19	0000023095	Bolt	2	
20	2000223001	Bolt	2	
21	2000208001	Spring guide sleeve	2	
22	2000231002	Spring	2	
23	2000212001	Spring guide rod	2	
24	0000025032	Flat washer	4	
25	0000025024	Spring washer	4	
26	0000023096	Bolt	4	
27	0000023098	Screw	1	
①	2000200003	Spring assembly	2	

**Figure 7 Driving Wheel (6ELDC-D)**

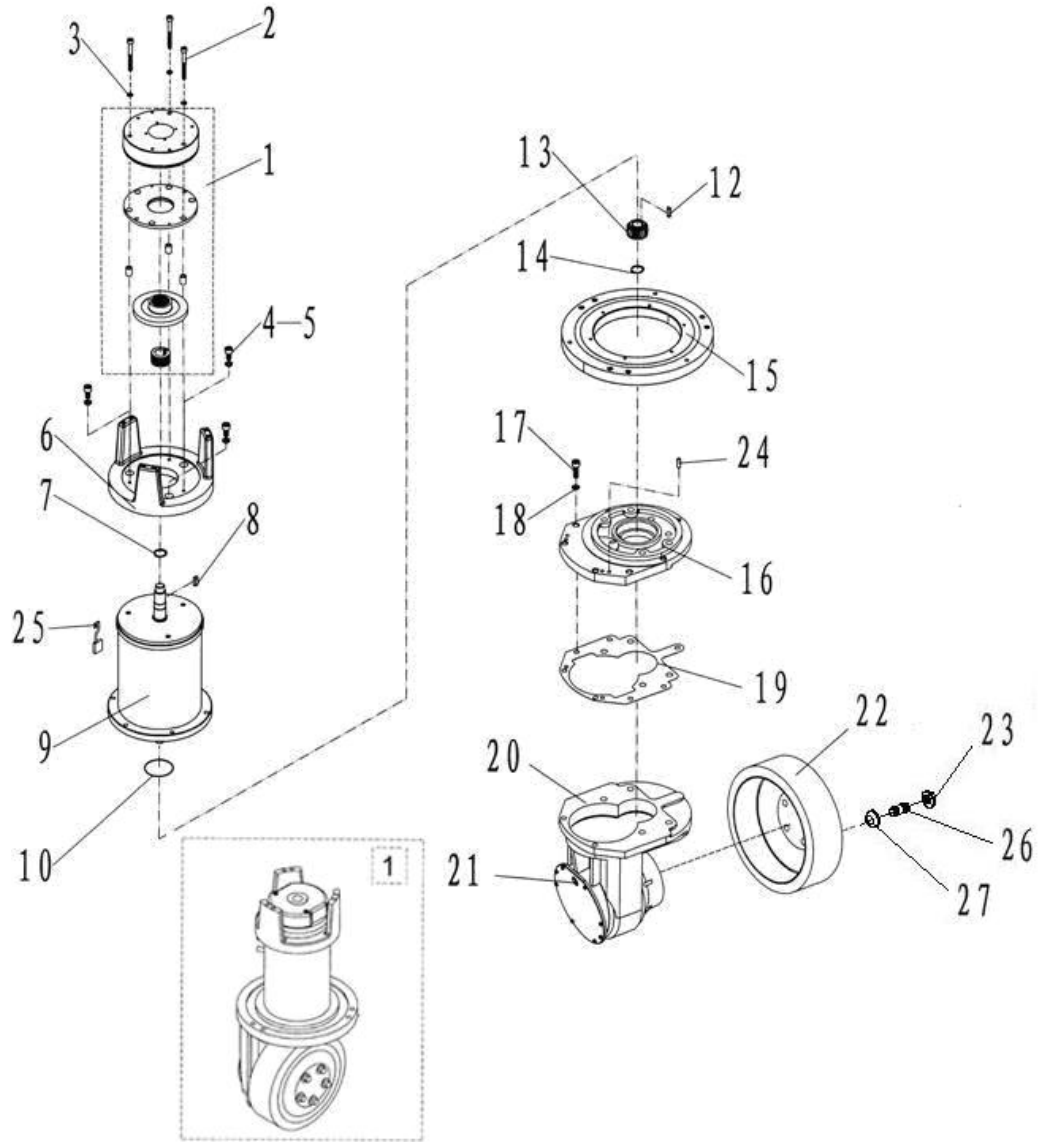


No.	Part Number	Item	Quantity	Remarks
1	9000000247	Brake	1	
2	0000023196	Bolt	3	
3	0000025006	Washer	9	
4	0000023202	Screw	4	
5	0000025004	Washer	4	

6	1020237002	Bracket	1	
7	0000026003	Retaining ring	1	
8	0000036003	Flat pin	1	
9	9000000246	Motor	1	
10	0000022038	O-ring	1	
11	0000023193	Screw	6	
12	0000023195	Flat pin	1	
13	1020237004	Small gear	1	
14	0000026019	Retaining ring	1	
15	1020237005	Rotation support	1	
16	1020237006	Upper cover	1	▲▲▲
17	0000023061	Screw	7	
18	0000025004	Washer	7	
19	1020237007	Paper washer	1	▲▲▲
20	1020237008	Box body	1	▲▲▲
21	0000023203	Screw	4	
22	0000025065	Washer	4	
23	1020237009	Driving wheel	1	
24	1020237010	Screw	5	
25	1020237011	Dust bushing	1	
26	1020237012	Driving shaft	1	▲▲▲
27	1020237026	Framework oil seal	1	FP-G-50X80X8
28	1020237013	Retaining ring	1	▲▲▲
29	0000027032	Bearing	1	
30	1020237014	Spacer bush	1	▲▲▲
31	1020237015	Washer	1	▲▲▲
32	1020237016	Adjusting washer	2	▲▲▲
33	0000027031	Bearing	1	
34	1020237017	Gear	1	▲▲▲
35	0000028028	Cylindrical pin	2	
36	1020237018	Retaining ring	1	▲▲▲
37	0000025063	Washer	1	▲▲▲
38	0000023190	Bolt	1	
39	0000024034	Nut	1	
40	0000025066	Washer	1	▲▲▲
41	1020237019	Washer	1	
42	1020237024	Big gear	1	▲▲▲
43	1020237020	Lubricative ring	1	▲▲▲
44	0000027030	Bearing	1	

45	0000023204	Screw	10	
46	0000025012	Washer	10	
47	1020237021	Seat of bearing	1	▲▲▲
48	0000027029	Bearing	1	
49	1020237022	Gear	1	▲▲▲
50	0000022037	O-ring	1	
51	1020237023	Side cover	1	▲▲▲
52	0000023189	Plug	3	
53	0000022036	Washer	3	
54	0000028027	Cylindrical pin	1	
55	9000000248	Motor carbon brush	1	
①	9000000231	Driving wheel	1	Homebred 1.85 KW

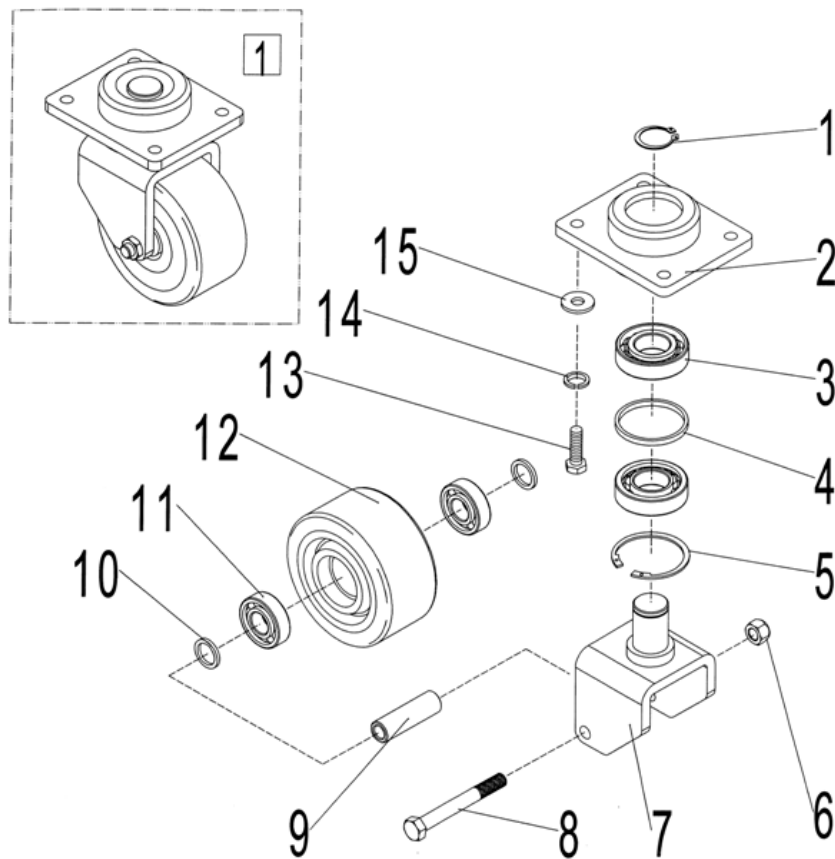
**Figure 8 Driving wheel (6ELDC- E)**



No.	Part Number	Item	Quantity	Remarks
1	9000000247	Brake	1	
2	0000023196	Bolt	3	
3	0000025006	Washer	3	

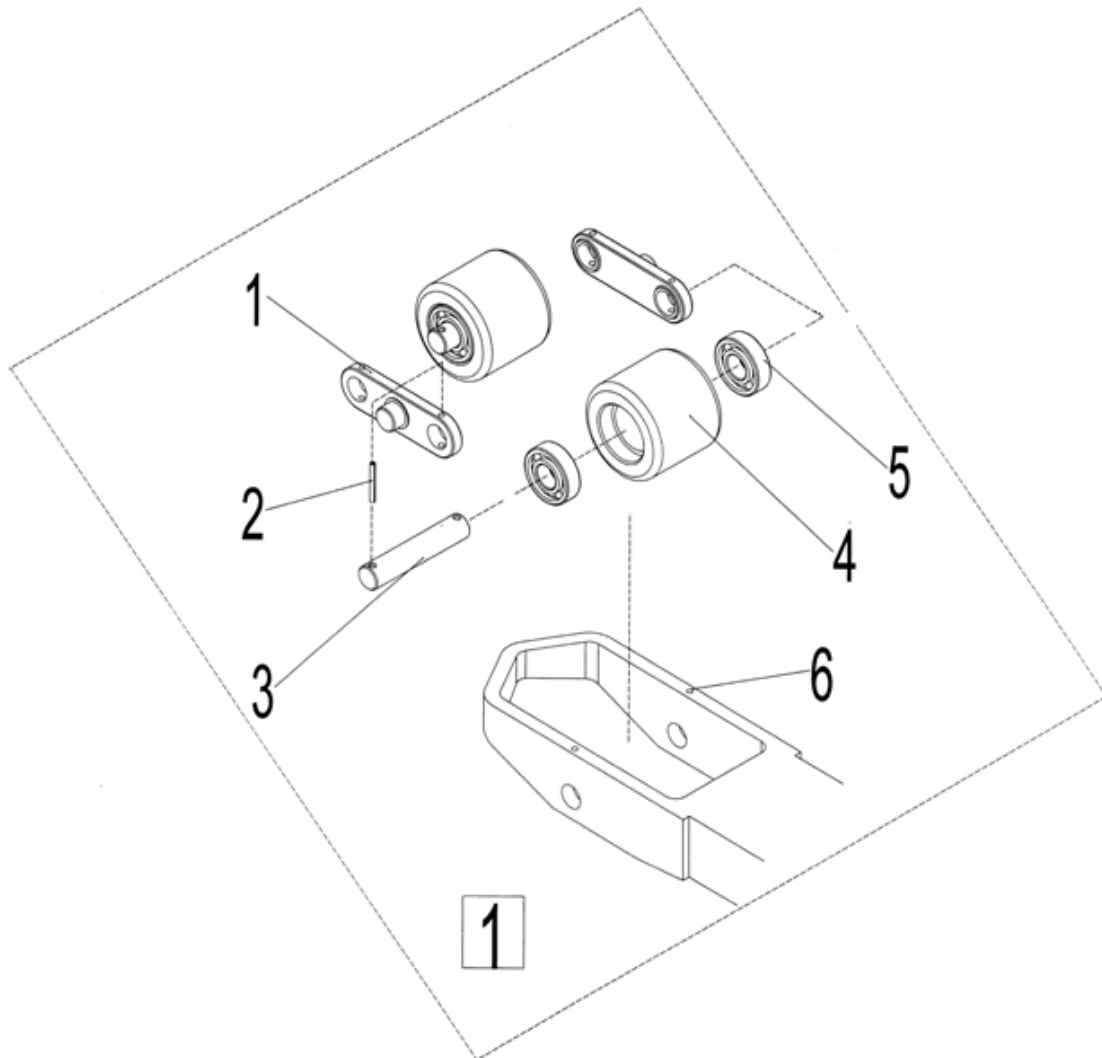
4	0000023202	Screw	4	
5	0000025004	Washer	4	
6	1020237002	Bracket	1	
7	0000026003	Retaining ring	1	
8	0000036003	Flat pin	1	
9	9000000249	Motor	1	
10	0000022038	O-ring	1	
12	0000036004	Flat pin	1	
13	1020237028	Small gear	1	
14	0000026019	Retaining ring	1	
15	1020237029	Rotation support	1	
16	1020237030	Upper cover	1	▲▲▲
17	0000023061	Screw	8	▲▲▲
18	0000025004	Washer	8	▲▲▲
19	1020237031	Paper washer	1	▲▲▲
20	1020237032	Box body	1	▲▲▲
21	0000023206	Plug	2	▲▲▲
22	1020237009	Driving wheel	1	
23	9000000241	Wheel nut	5	
24	0000028027	Cylindrical pin	1	
25	9000000248	Motor carbon brush	1	
26	9000000242	Wheel bolts	5	
27	9000000243	Spring clip	5	
①	9000000232	Driving wheel	1	Import 1.85kw

**Figure 9 Steering Wheel**



No.	Part Number	Item	Quantity	Remarks
1	0000026008	Spring washer for shaft	1	
2	2000405001	Bearing block	1	
3	0000027013	Bearing	2	
4	2000413001	Spacer washer	1	
5	0000026010	Spring washer for hole	1	
6	0000024015	Nut	1	
7	2000401007	Wheel carrier	1	
8	0000023111	Bolt	1	
9	2000413002	Shaft sleeve	1	
10	1000525001	Washer	2	
11	0000027001	Bearing	2	
12	2020416001	Wheel	1	
13	0000023029	Screw	4	
14	0000023006	Spring washer	4	
15	0000025002	Flat washer	4	
①	2040400001	Steering wheel assembly	2	

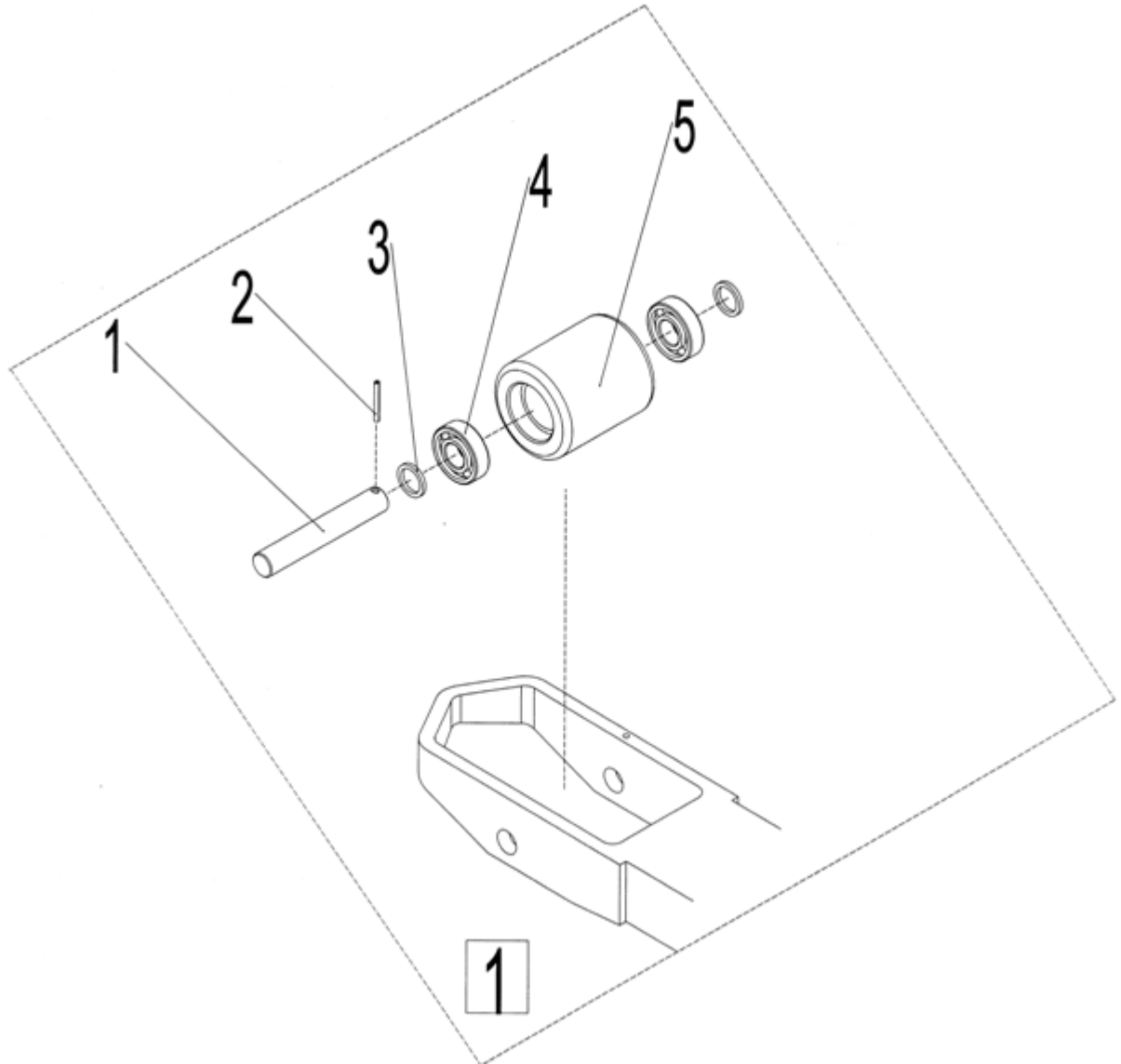
**Figure 10 Double load wheel**



No.	Part Number	Item	Quantity	Remarks
1	2000405002	Connecting plate	2	
2	0000028009	Spring shaft	4	
3	2000407001	Pinion shaft	2	
4	2000416002	Rollers	2	
5	0000027001	Bearing	4	
6	0000030001	Oil cup	2	
①	2000600001	Double wheel assembly	2	

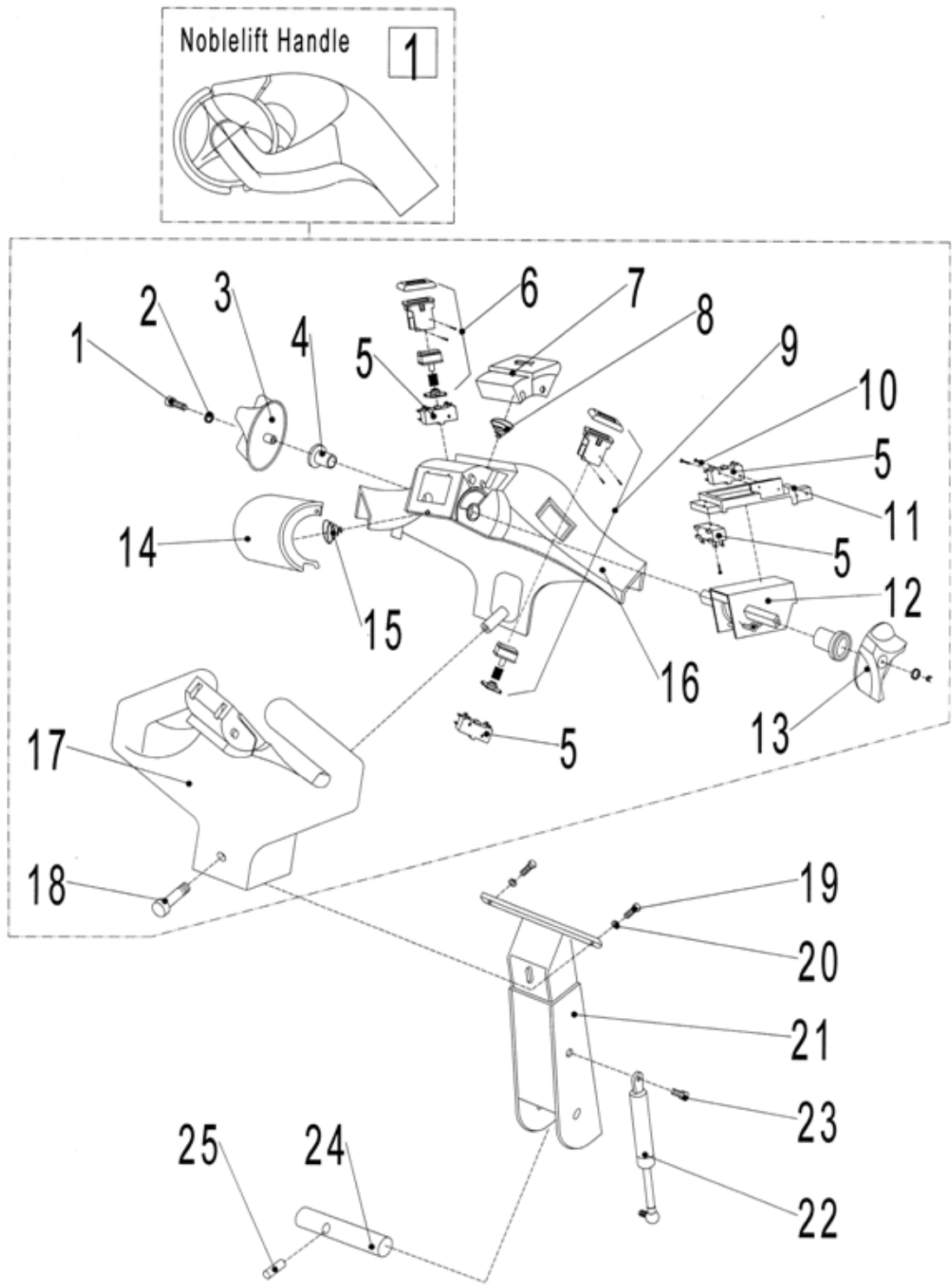


**Figure 11 Single load wheel**



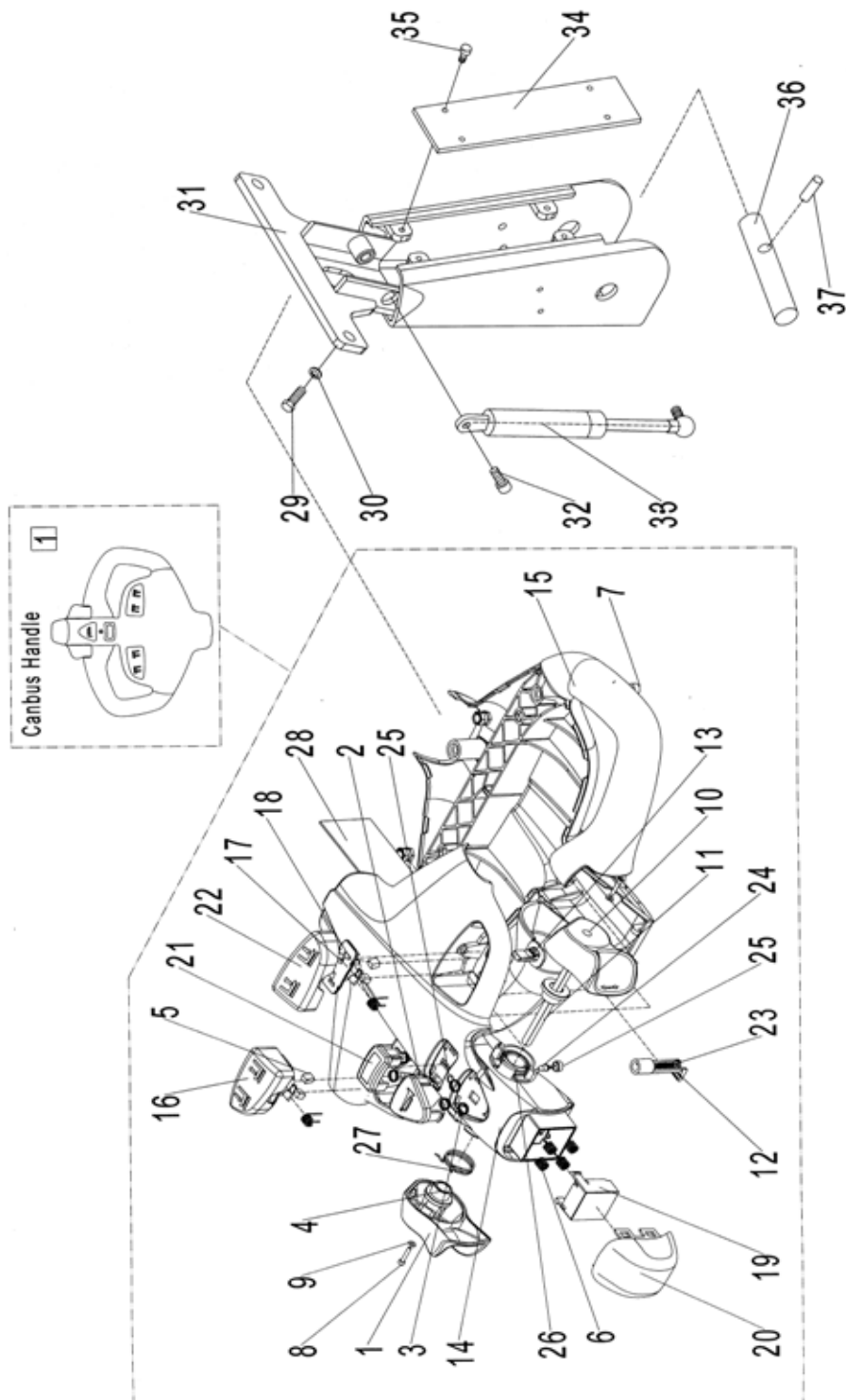
No.	Part Number	Item	Quantity	Remarks
1	2000407004	Front wheel axle	1	
2	0000028013	Spring shaft	1	
3	1000525001	Washer	2	
4	0000027001	Bearing	2	
5	2000416003	Rollers	1	
①	2000600002	Single wheel assembly	2	

Figure 12 Noblelift Handle



No.	Part Number	Item	Quantity	Remarks
1	0000023008	Screw	2	
2	0000025003	Spring washer	2	
3	1000114004	Left driving knob	1	
4	1000113002	Shaft sleeve	2	
5	1000134002	Micro-switch	4	
6	1000100015	Lowering button installation rack	1	
7	1000114001	Horn button	1	
8	1000131001	Horn button spring	1	
9	1000100016	Lifting button installation rack	1	
10	0000023009	Screw	8	
11	1000103004	Circuit board	1	
12	1000134003	accelerator	1	
13	1000114003	Right driving knob	1	
14	1000114002	Emergency changeover button	1	
15	1000131002	Emergency changeover button spring	1	
16	1000103001	Upper part of handle	1	
17	1000103003	Lower part of handle	1	
18	0000023053	Screw	3	
19	0000023046	Bolt	2	
20	0000025001	Spring washer	2	
21	2240101001	Handle Bar	1	Short handle
	2240101006	Handle Bar	1	Long handle
22	2240121001	Gas spring (250N)	1	Short handle
	1000121001	Gas spring (450N)	1	Long handle
23	1000123001	Screw	1	
24	1000107001	Handle spindle	1	
25	0000028003	Elastic cylindrical pin	1	
①	1000100008	Handle head assembly	1	made in China

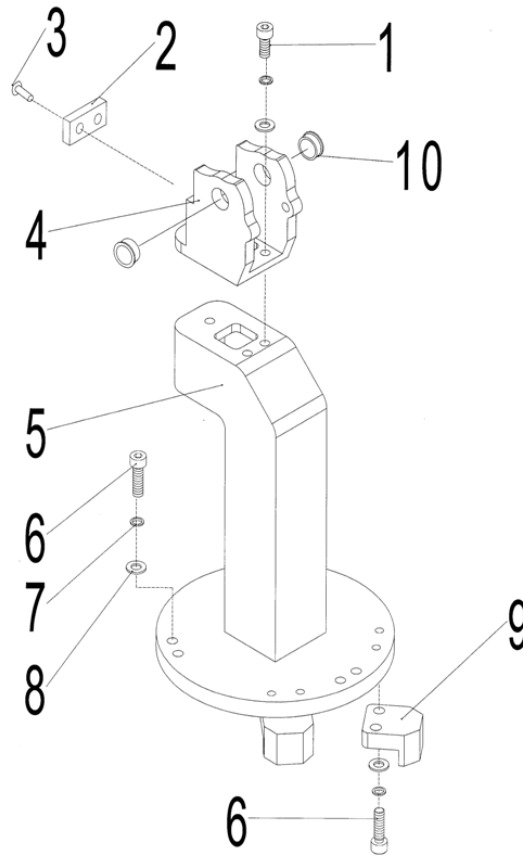
Figure 13 CANBUS Handle



No.	Part Number	Item	Quantity	Remarks
1	1000114014	Left driving knob	1	
2	1000114015	Horn button	1	
3	1000131009	Horn button spring	5	

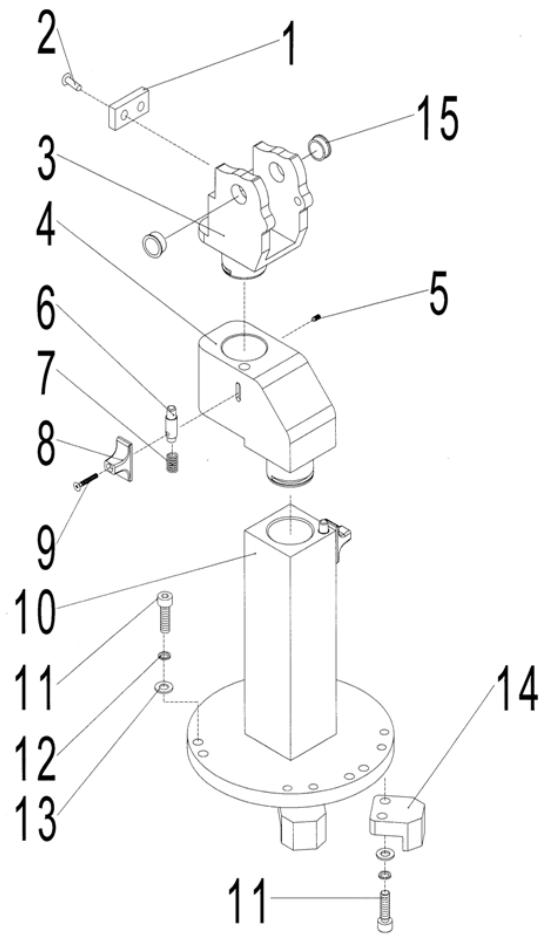
4	1000113004	Camshaft bush	2	
5	1000137001	Magnetic body	4	
6	1000131010	Emergency changeover button spring	4	
7	0000023058	Screw	3	
8	0000023057	Screw	2	
9	0000025017	Flat washer	2	
10	1000114016	Right driving knob	1	
11	1000107002	Driving knob axle	1	
12	1000137002	PCB board clip	1	
13	1000134005	Sensor	2	
14	1000103012	Upper part of handle	1	
15	1000103013	Lower part of handle	1	
16	1000114017	Left button	1	
17	1000137003	Magnetic body retaining seat	2	
18	1000131011	Torsion spring	2	
19	1000114018	Emergency changeover button base	1	
20	1000114020	External cover for emergency changeover button	1	
21	1000114021	External cover for elector switch	1	
22	1000114022	Right button	1	
23	0000023060	Screw	1	
24	1000134006	LED bi-colour light	1	
25	1000103014	LED bi-colour light socket	1	
26	1000131012	Right driving knob torsion spring	1	
27	1000131013	Left driving knob torsion spring	1	
28	1000134007	PCB	1	
29	0000023047	Screw	2	
30	0000025001	Spring washer	2	
31	2240101002	Handle Bar	1	Short handle
	2240101003	Handle Bar	1	Long handle
32	1000123001	Screw	1	
33	1000121002	Gas spring (330N)	1	Short handle
	1000121001	Gas spring (450N)	1	Long handle
34	2240102001	Cover plate	1	Short handle
	1000104013	Cover plate	1	Long handle
35	1000123003	Screw	4	
36	1000107001	Handle spindle	1	
37	0000028003	Elastic cylindrical pin	1	
①	1000100009	Canbus handle	1	
	2040100001	Canbus handle B	1	With pump function

**Figure 14 Handle spindle**



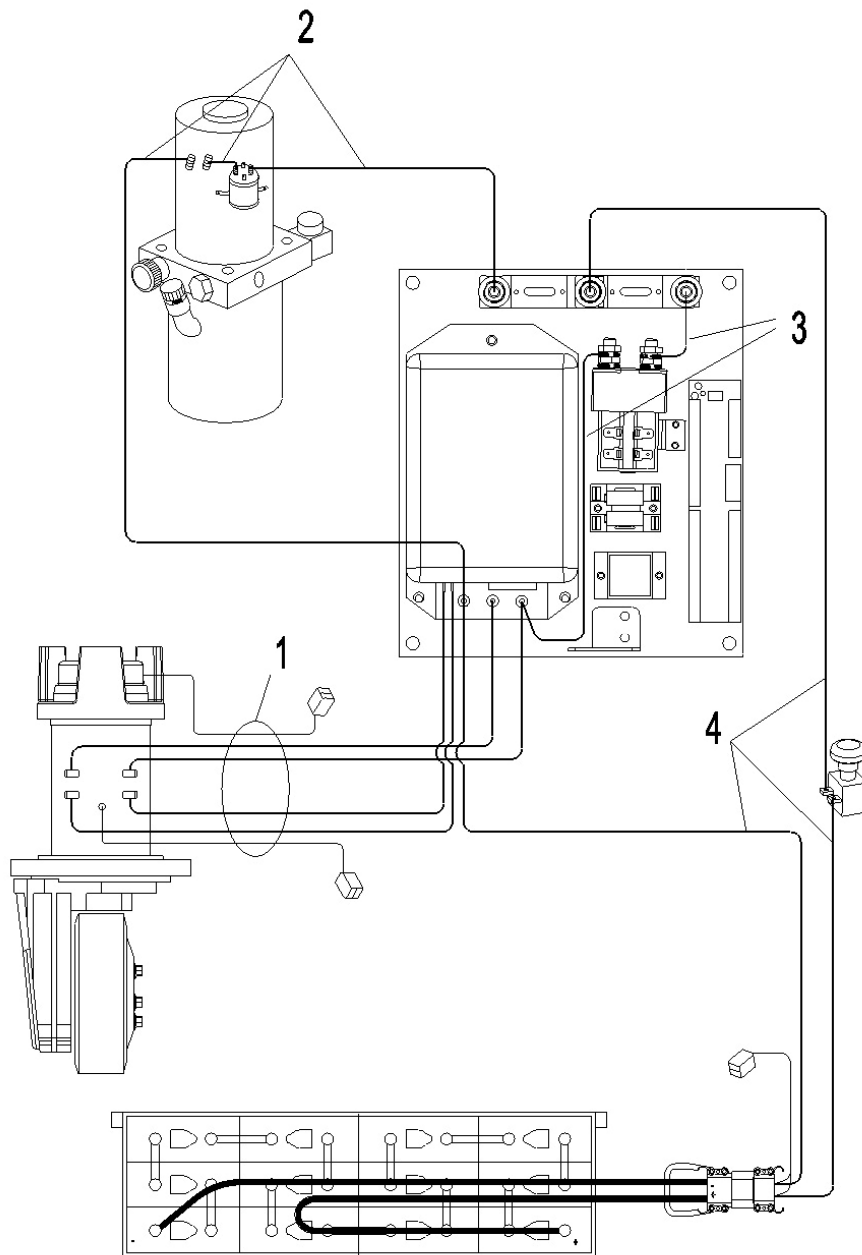
No.	Part Number	Item	Quantity	Remarks
1	0000023044	Screw	3	
2	1020119001	Shake proof pad	1	
3	0000023042	Screw	2	
4	1020137001	Handle coupling head	1	
5	2000201003	Handle spindle	1	
6	0000023172	Screw	10	
7	0000025001	Spring washer	13	
8	0000025011	Flat washer	13	
9	2000202001	Stop block	2	
10	1000113001	Shoulder harness	2	

**Figure 15 Swinging Handle Spindle (Optional)**



No.	Part Number	Item	Quantity	Remarks
1	1020119001	Shake proof pad	1	
2	0000023042	Screw	2	
3	1020137003	Handle connector	1	
4	1020137002	Handle spindle head	1	
5	0000023173	Screw	1	
6	1020102001	Sliding shaft	2	
7	1020131001	Spring	2	
8	1020114001	Button	2	
9	0000023174	Screw	2	
10	2000201001	Handle spindle	1	
11	0000023172	Screw	10	
12	0000025001	Spring washer	6	
13	0000025011	Flat washer	6	
14	2000202001	Stop block	2	
15	1000113001	Shoulder harness	2	

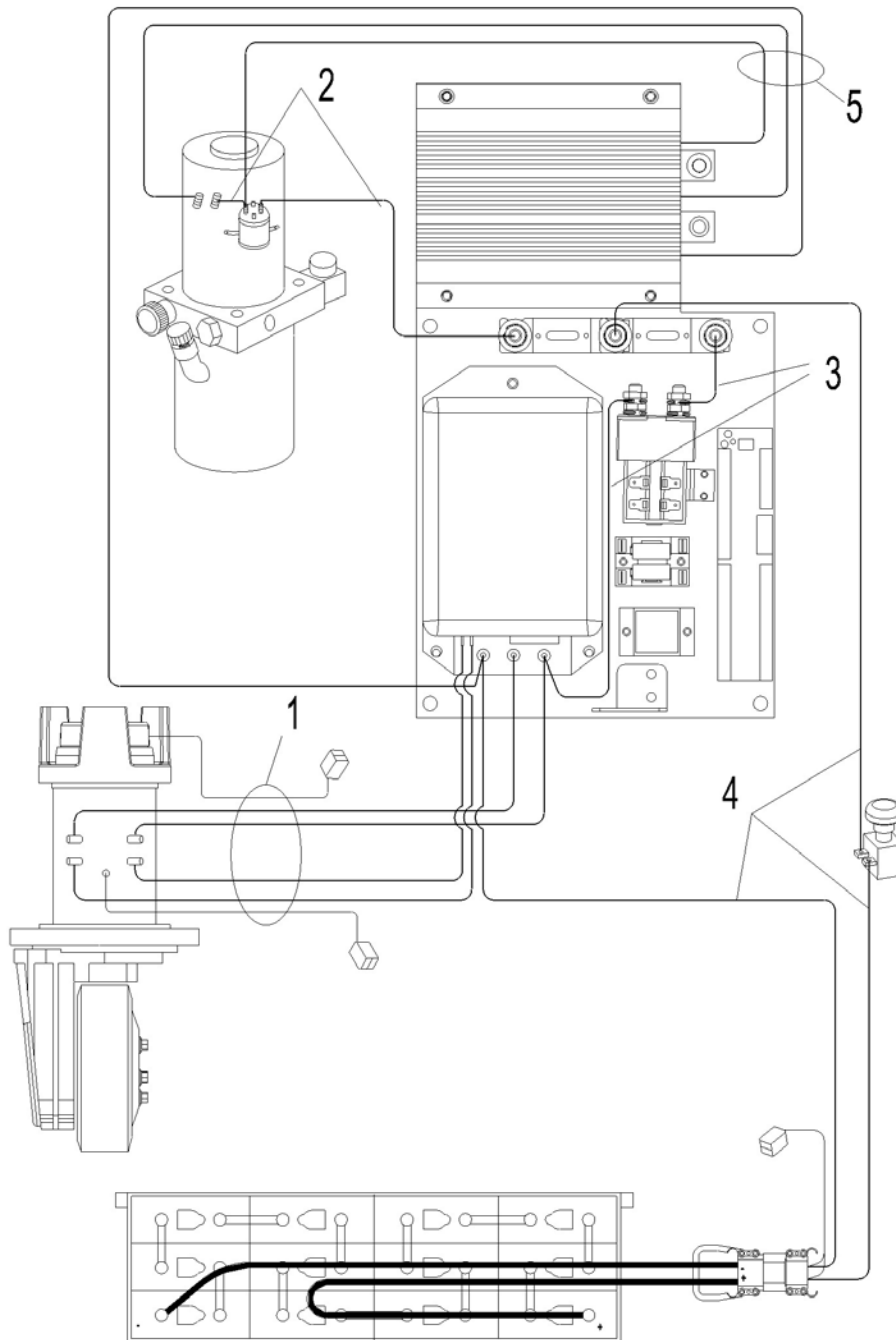
**Figure 16 Exploded view of Master Line**



No.	Part Number	Item	Quantity	Remarks
1	2000433001	Pulling motor harness	1	
2	2000433002	Oil pump motor harness	1	
3	2000433003	Main contactor harness	1	
4	2000433004	Controller power harness	1	

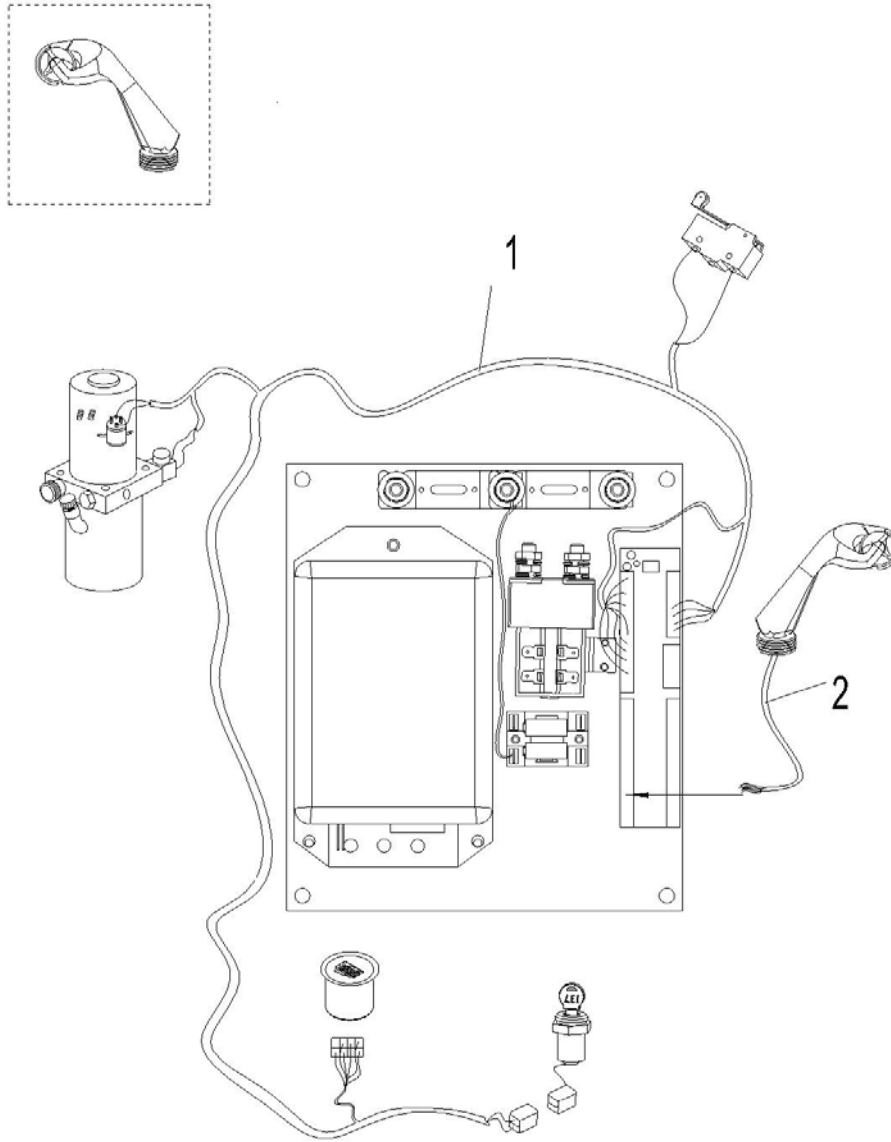


**Figure 17 Exploded view of Master Line (with pump function)**



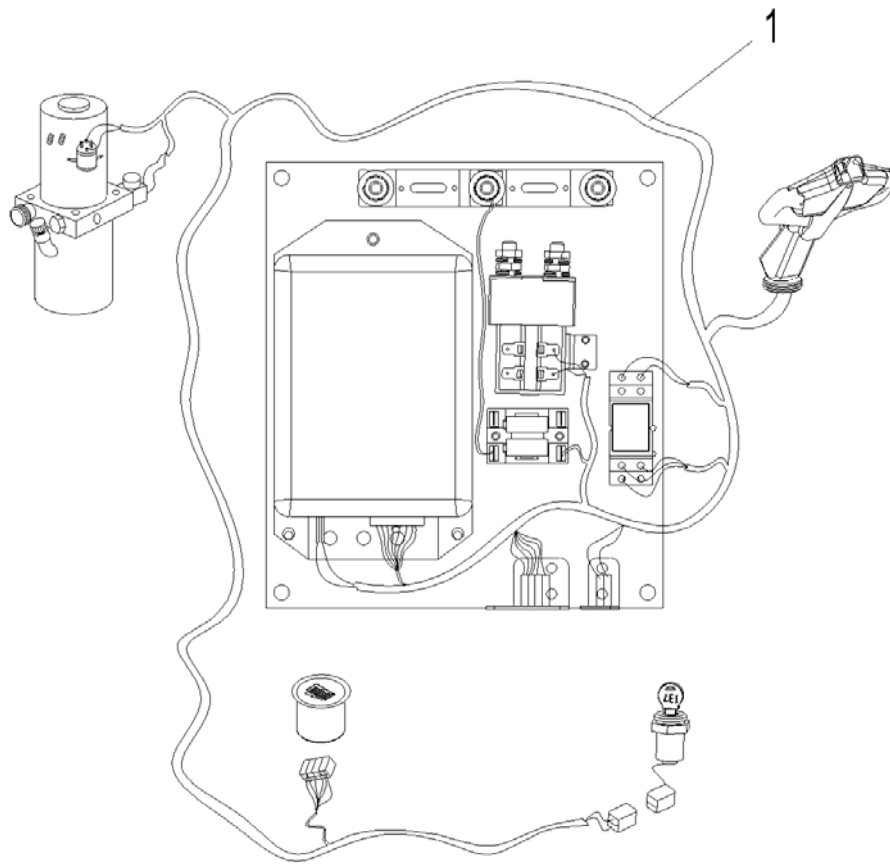
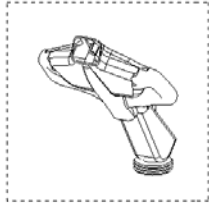
序号	零件代号	名称	数量	备注
1	2000433001	Pulling motor harness	1	
2	2000433002	Fuel pump motor harness	1	
3	2000433003	Main contactor harness	1	
4	2000433004	Controller power harness	1	
5	2040333001	Controller power harness	1	with pump function

**Figure 18 Domestic Handle Control Harness**



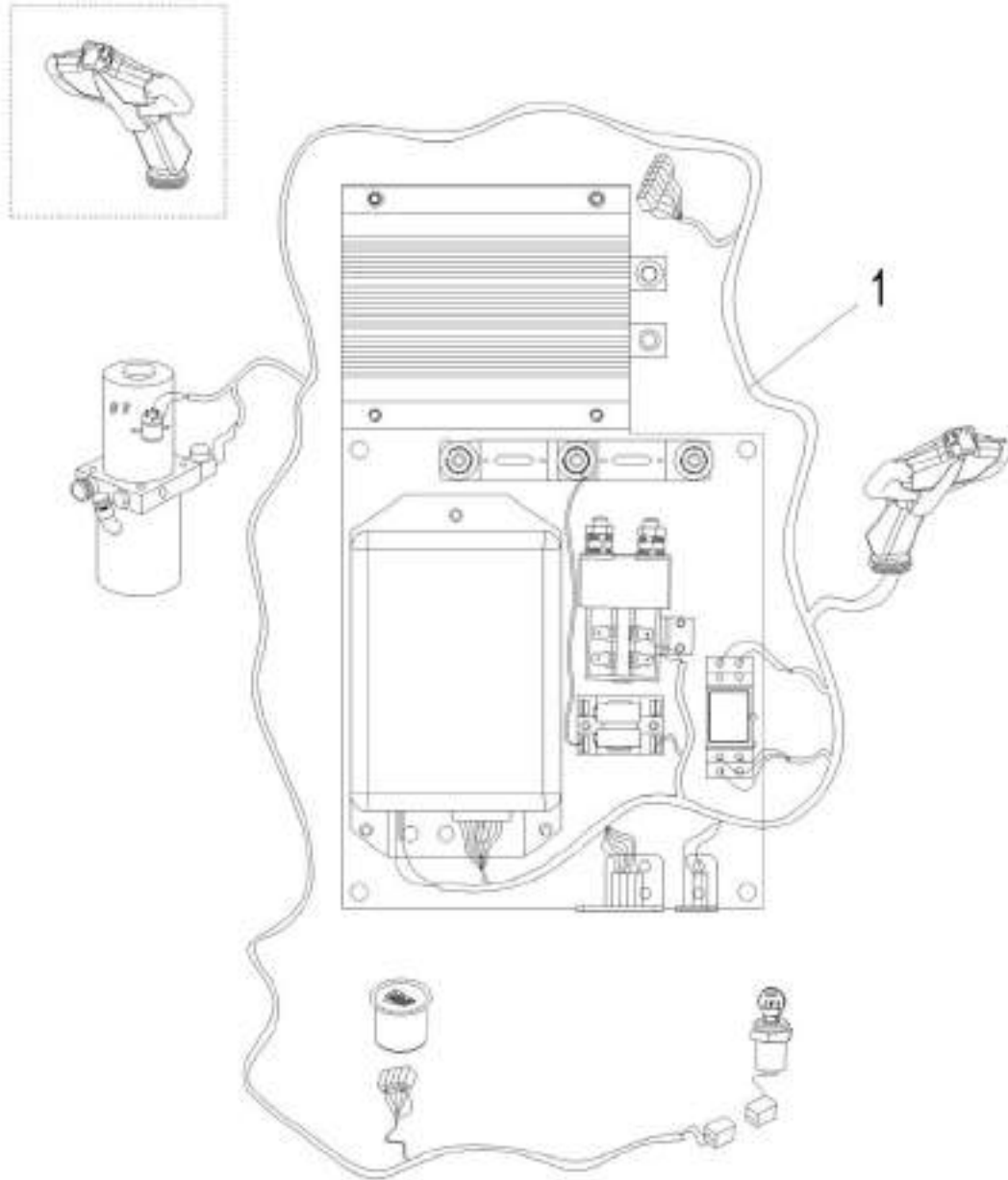
No.	Part Number	Item	Quantity	Remarks
1	2000433005	Control harness	1	
2	2000433006	Handle harness	1	

**Figure 19 CANBUS Handle Control Harness**



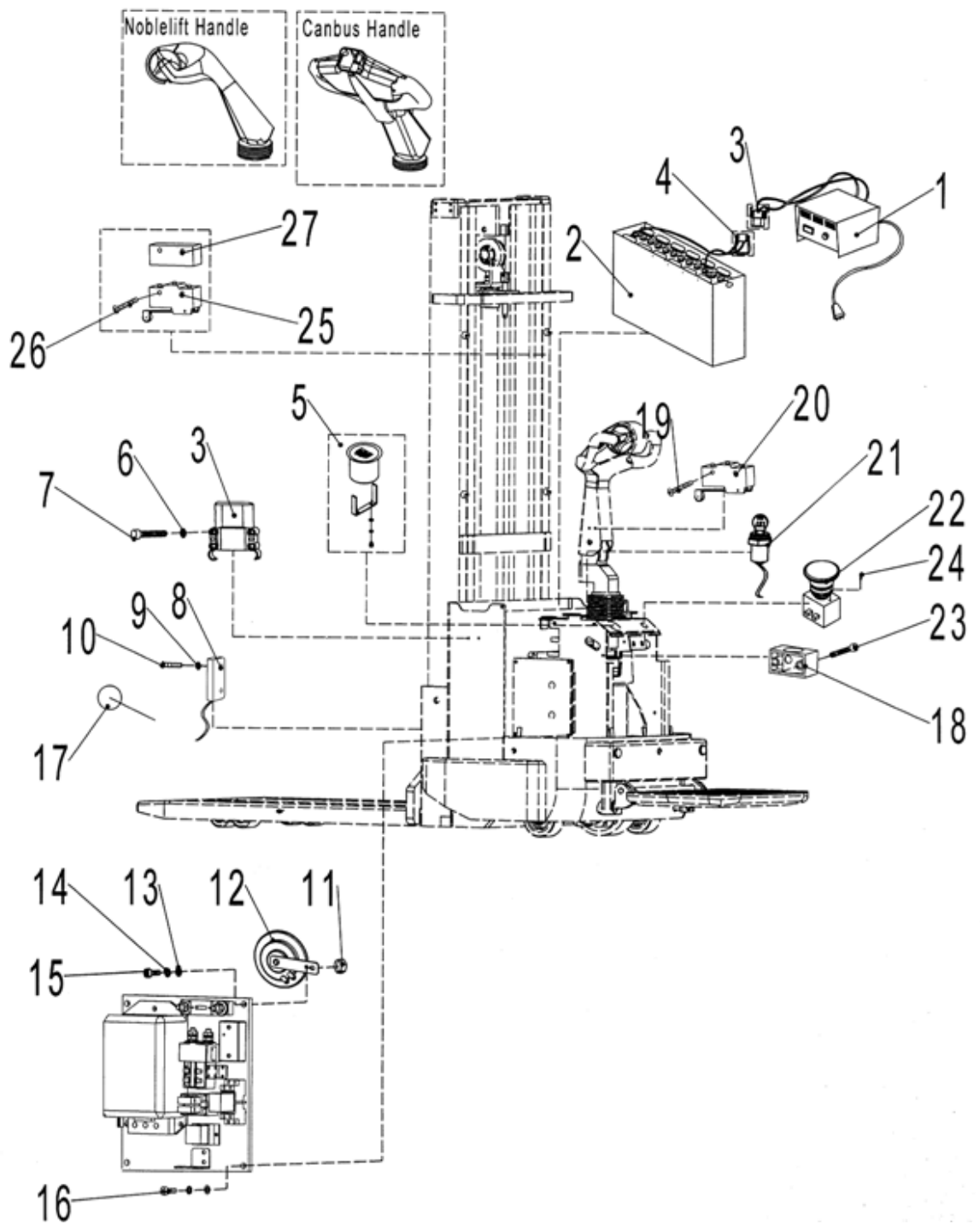
No.	Part Number	Item	Quantity	Remarks
1	2000433007	Control harness	1	

**Figure 20 CANBUS Handle Control Harness (with pump function)**



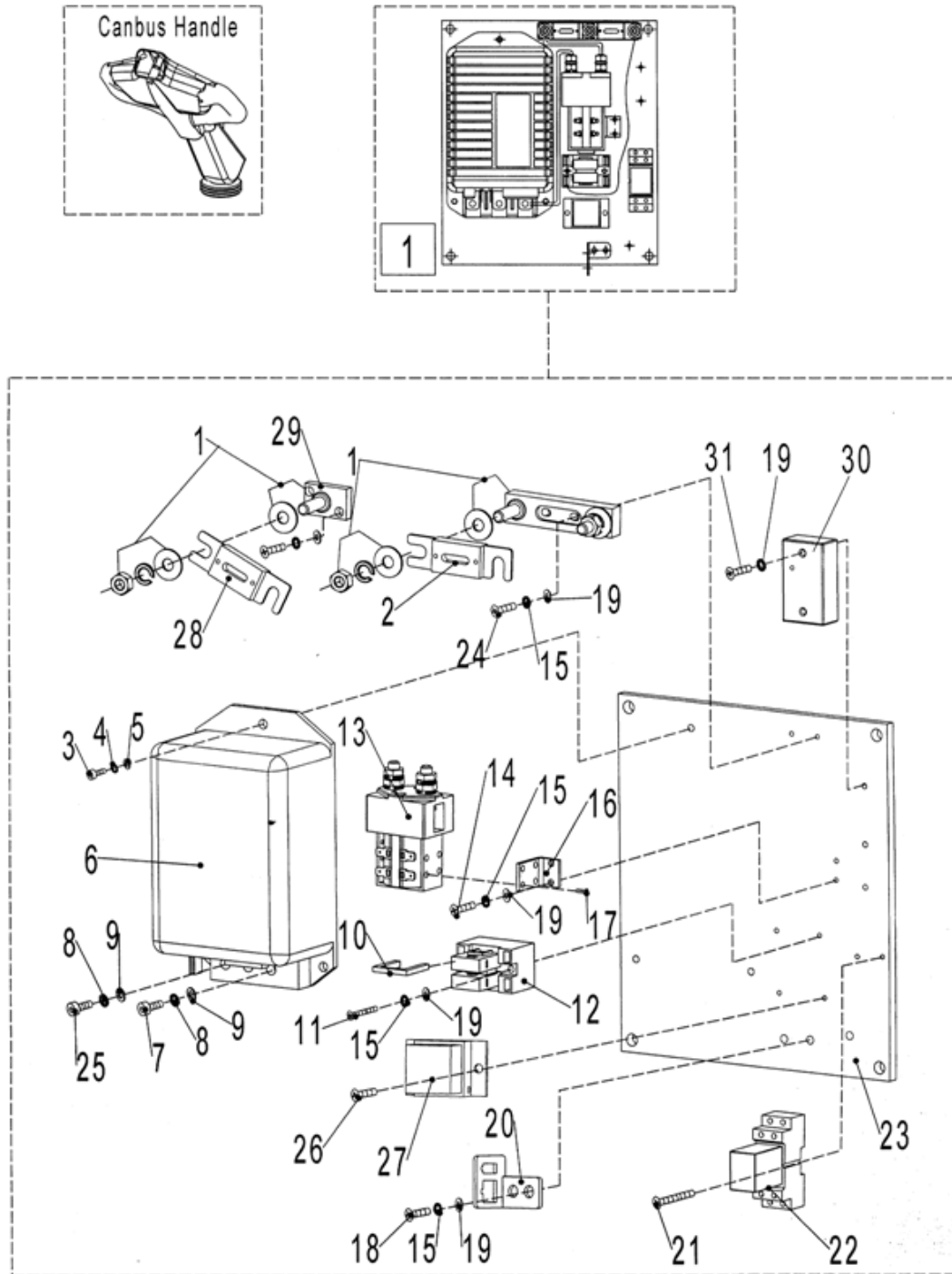
No.	Part Number	Item	Quantity	Remarks
1	2000433008	Control harness	1	With pump function

**Figure 21 Universal Parts for Entire Unit**



No.	Part Number	Item	Quantity	Remarks
1	2040420001	Charger 24V/40A	1	Asian in Chinese
	2040420002	Charger 24V/40A	1	Asian in English
	2040420003	Charger 24V/40A	1	European
	2040420004	Charger 24V/40A	1	American
	2040420005	Charger 24V/40A	1	Australian
	2040420006	Charger 24V/40A	1	British
2	2040432002	Battery	1	
3	2000434001	Socket connector	2	
4	2000434002	Socket connector	1	
5	1000434025	Battery instrument	1	
6	0000023055	Flat washer	8	
7	0000023106	Screw	2	
8	2000435001	Magnetic switch	1	
	2000435003	Magnetic switch	1	
9	0000025026	Flat washer	2	
10	0000023083	Screw	2	
11	0000023081	Nut	1	
12	1000434015	Horn	1	
13	0000025005	Flat washer	4	
14	0000025004	Spring washer	4	
15	0000023061	Screw	1	
16	0000023013	Screw	3	
17	2000435002	Magnet steel	1	
18	2000403001	Cable holder	1	
19	0000023050	Screw	2	
20	1000134001	Micro-switch	1	
21	1010434002	Key switch (with key)	1	
22	2240434001	DC power switch	1	
23	0000023106	Screw	2	
24	0000023126	Screw	2	
25	2040634001	Micro-switch	1	
26	0000023086	Screw	2	
27	2040603002	Protective cover of the micro-switch	1	

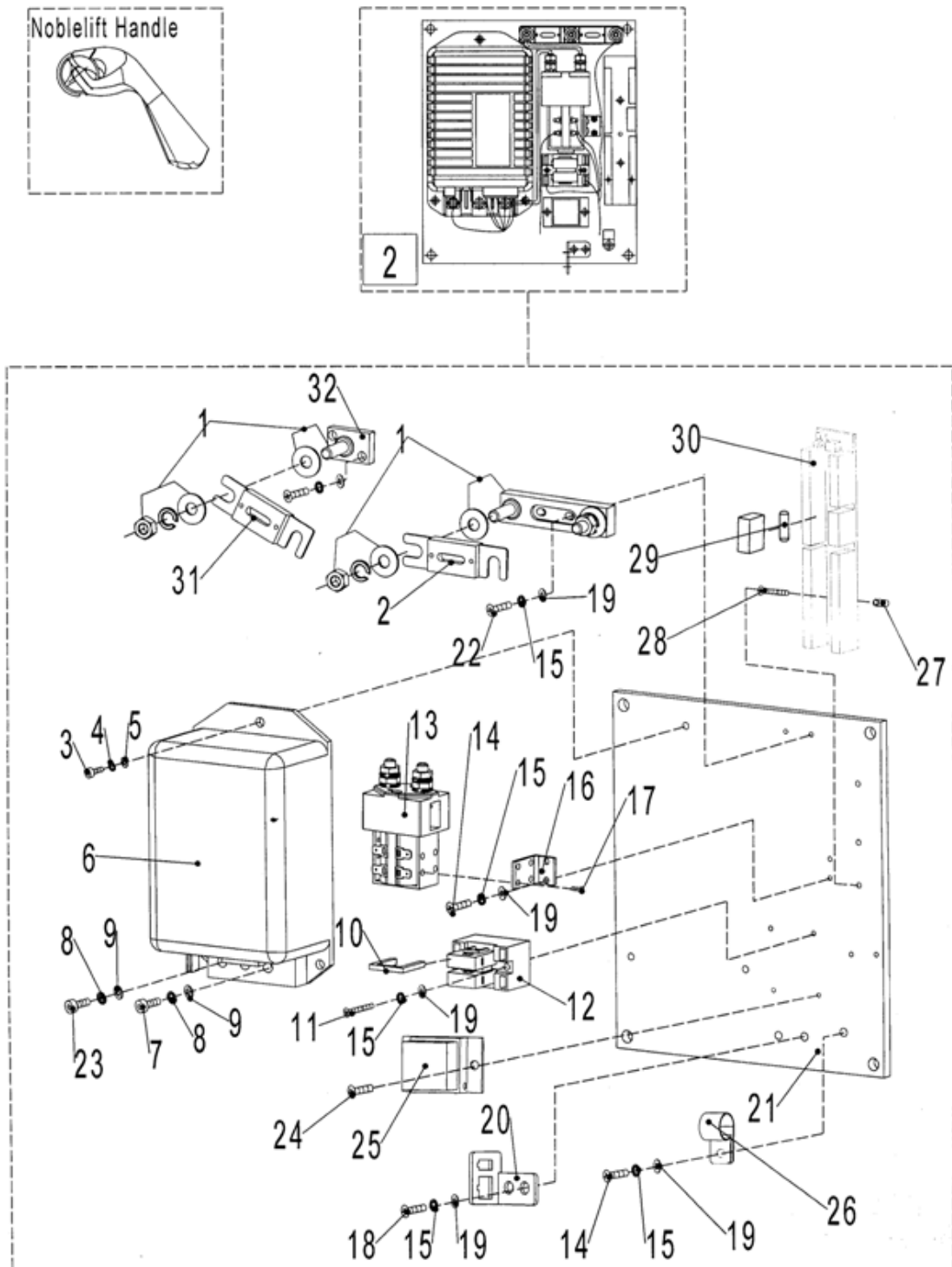
**Figure 22 CANBUS Handle Controller Assembly**



No.	Part Number	Item	Quantity	Remarks
1	1000434007	Fuse holder	1	
2	2210434004	Bolted fuse	1	
3	0000023063	Screw	3	
4	0000025006	Spring washer	3	
5	0000025007	Flat washer	3	
6	1000434010	Controller	1	
7	0000023012	Screw	2	
8	0000025004	Spring washer	3	
9	0000025005	Flat washer	3	
10	1000434040	Fuse	1	
11	0000023019	Screw	2	
12	1000434009	Two fuses holder for vehicle	1	
13	1000434006	Pulling motor contactor	1	
14	0000023016	Screw	4	
15	0000025009	Spring washer	10	
16	1000404022	Main contactor mounting bracket	1	
17	0000023017	Screw	2	
18	0000023023	Screw	2	
19	0000025008	Flat washer	11	
20	1000404005	Connector mounting bracket	1	
21	0000023054	Screw	2	
22	1000434014	Relay	1	
23	1020404001	Aluminium plate	1	
24	0000023018	Screw	2	
25	0000023013	Screw	1	
26	0000023052	Screw	2	
27	1000434003	Protective module	1	
28	1020434001	Fuse	1	
29	1020434002	Binding Post	1	
30	2000404004	Lifting logic board	1	
31	0000023019	Screw	2	
①	2000200001	Electric controller assembly	1	

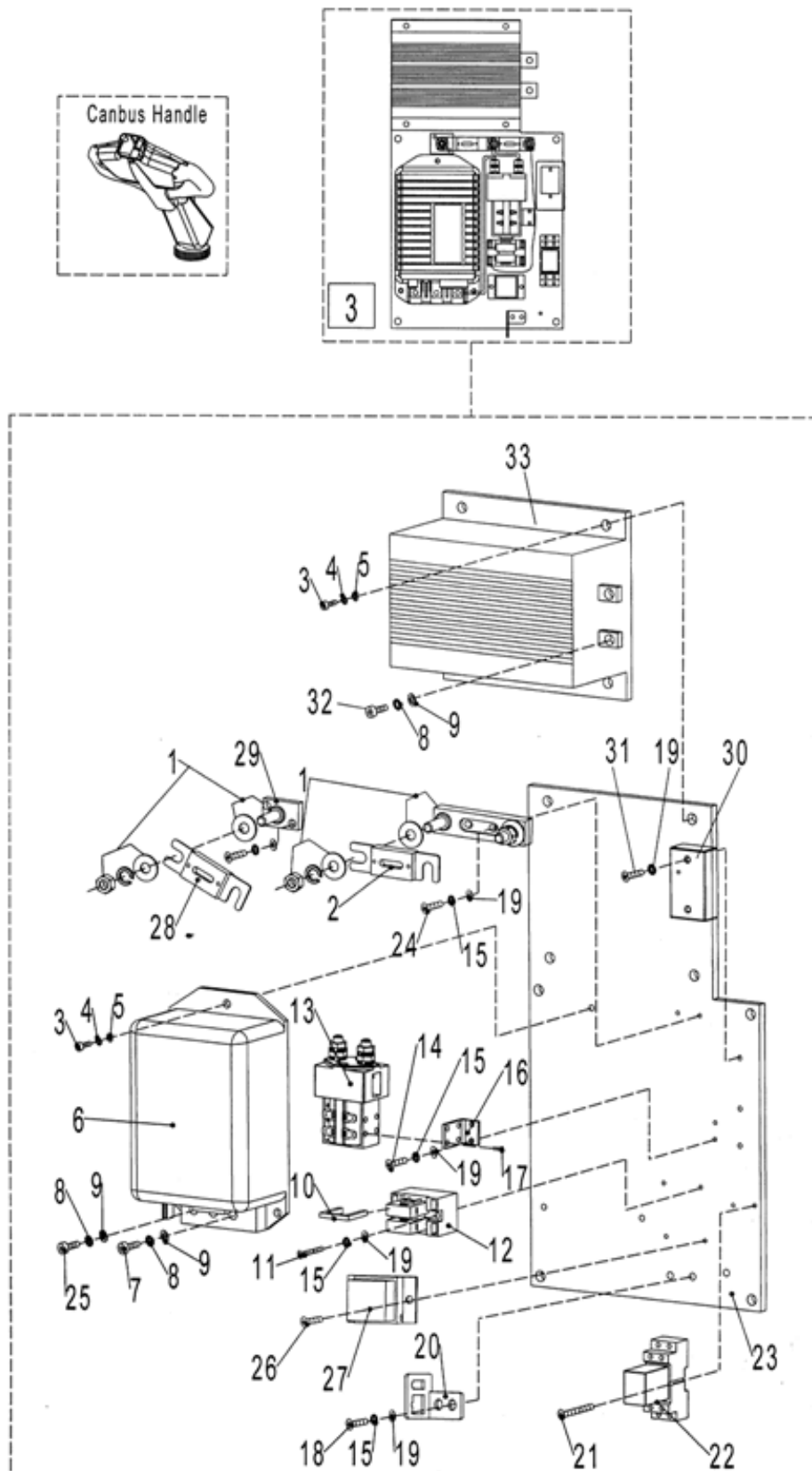


Figure 23 General Controller Assembly



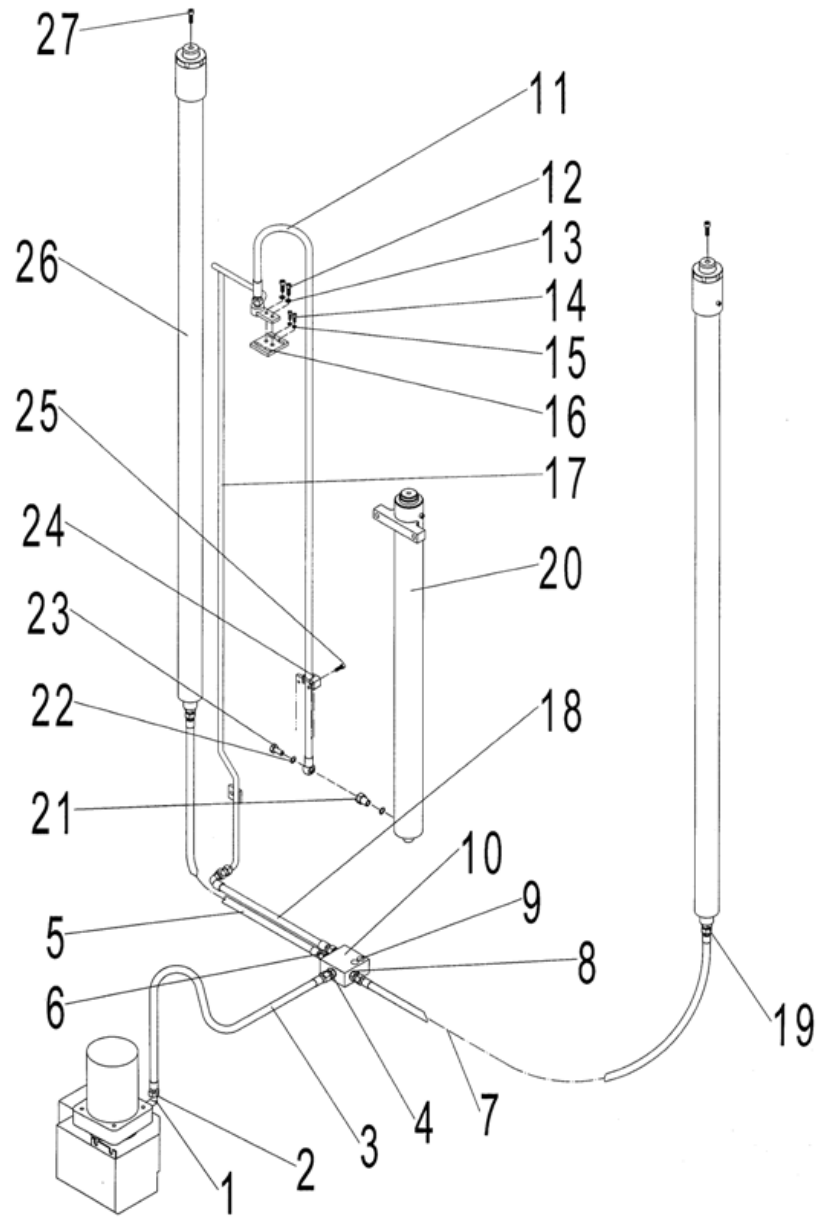
No.	Part Number	Item	Quantity	Remarks
1	1000434007	Fuse holder	1	
2	2210434004	Fuse	1	
3	0000023063	Screw	3	
4	0000025006	Spring washer	3	
5	0000025007	Flat washer	3	
6	1000434002	Controller	1	
7	0000023012	Screw	2	
8	0000025004	Spring washer	3	
9	0000025005	Flat washer	3	
10	1000434040	Fuse	1	
11	0000023019	Screw	2	
12	1000434009	Two position fuse seat for automobile	1	
13	1000434006	Pulling motor contactor	1	
14	0000023016	Screw	5	
15	0000025009	Spring washer	11	
16	1000404022	Main contactor fixing bracket	1	
17	0000023017	Screw	2	
18	0000023023	Screw	2	
19	0000025008	Flat washer	11	
20	1000404005	Connector fixing bracket	1	
21	1020404001	Aluminium plate	1	
22	0000023018	Screw	2	
23	0000023013	Screw	1	
24	0000023052	Screw	2	
25	1000434003	Protective module	1	
26	1000403004	Wire clip	1	
27	1000403002	White column	2	
28	0000023051	Screw	2	
29	1000434005	Fuse tube	1	
30	2210435001	Control panel	1	
31	1020434001	Fuse	1	
32	1020434002	Binding post	1	
②	2040434001	Electric controller assembly	1	

**Figure 24 Handle Controller Assembly (with pump function)**



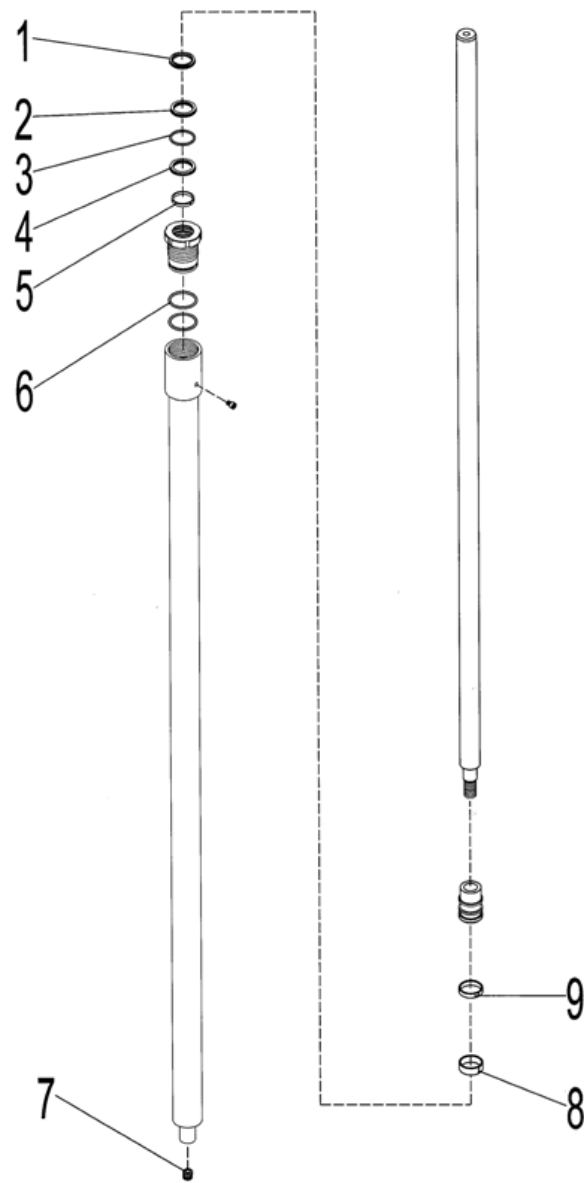
No.	Part Number	Item	Quantity	Remarks
1	1000434007	Fuse holder	1	
2	2210434004	Bolted fuse	1	
3	0000023063	Screw	7	
4	0000025006	Spring washer	7	
5	0000025007	Flat washer	7	
6	1000434010	Controller	1	
7	0000023012	Screw	2	
8	0000025004	Spring washer	6	
9	0000025005	Flat washer	6	
10	1000434040	Fuse	1	
11	0000023019	Screw	2	
12	1000434009	Two fuses holder for vehicle	1	
13	1000434006	Pulling motor contactor	1	
14	0000023016	Screw	4	
15	0000025009	Spring washer	10	
16	1000404022	Main contactor mounting bracket	1	
17	0000023017	Screw	2	
18	0000023023	Screw	2	
19	0000025008	Flat washer	11	
20	1000404005	Connector mounting bracket	1	
21	0000023054	Screw	2	
22	1000434014	Relay	1	
23	1020404001	Aluminium plate	1	
24	0000023018	Screw	2	
25	0000023013	Screw	1	
26	0000023052	Screw	2	
27	1000434003	Protective module	1	
28	1020434001	Fuse	1	
29	1020434002	Binding Post	1	
30	2000404004	Lifting logic board	1	
31	0000023019	Screw	2	
32	0000023166	Screw	3	
33	2010435001	Pump controller	1	
3	2000200002	Electric controller assembly	1	

Figure 25 Pipeline System



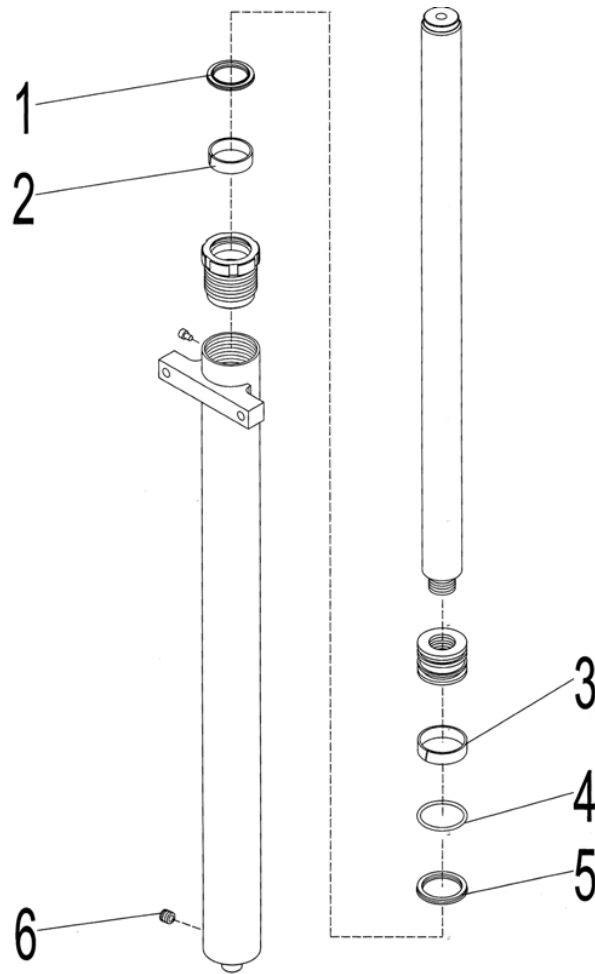
No.	Part Number	Item	Quantity	Remarks
1	0000017004	Joint	1	
2	0000018002	O-ring	3	
3	2050317004	High pressure oil tube	1	
4	2000317003	Straight joint	1	
5	2050317001	High pressure rubber tube	1	
6	0000022011	O-ring	7	
7	2050317002	High pressure rubber tube	1	
8	0000022051	Integral seal washer	7	
9	0000023025	Screw	2	
10	2040315001	Oil tube connecting seat	1	
11	2040317005	High pressure rubber tube	1	
12	0000023044	Screw	3	
13	0000025001	Spring washer	2	
14	0000023040	Screw	4	
15	0000025010	Spring washer	4	
16	2040304001	Pressure pad	1	
17	2050317003	High pressure steel tube	1	
18	2040317014	High pressure steel tube	1	
19	2000317002	Straight joint	5	
20	2040300008	Inner cylinder	1	
21	2040302002	Transition joint	1	
22	0000022005	Integral seal washer	2	
23	0000023112	Bolt	1	
24	2040302001	Oil pipe clip	1	
25	0000023030	Screw	1	
26	2050300001	Outer cylinder	2	
27	0000023094	Screw	2	

**Figure 26 Outer Cylinder**



No.	Part Number	Item	Quantity	Remarks
1	2040322001	Dust ring	1	
2	2040322004	Supporting ring for axle	1	
3	0000022017	O-ring	1	
4	2040322002	Seal ring	1	
5	2040322003	Seal ring	1	
6	0000022018	O-ring	2	
7	2000337001	Safety explosion proof valve assembly	1	
8	2270322001	Supporting ring for hole	1	
9	2040322006	Supporting ring for hole	1	

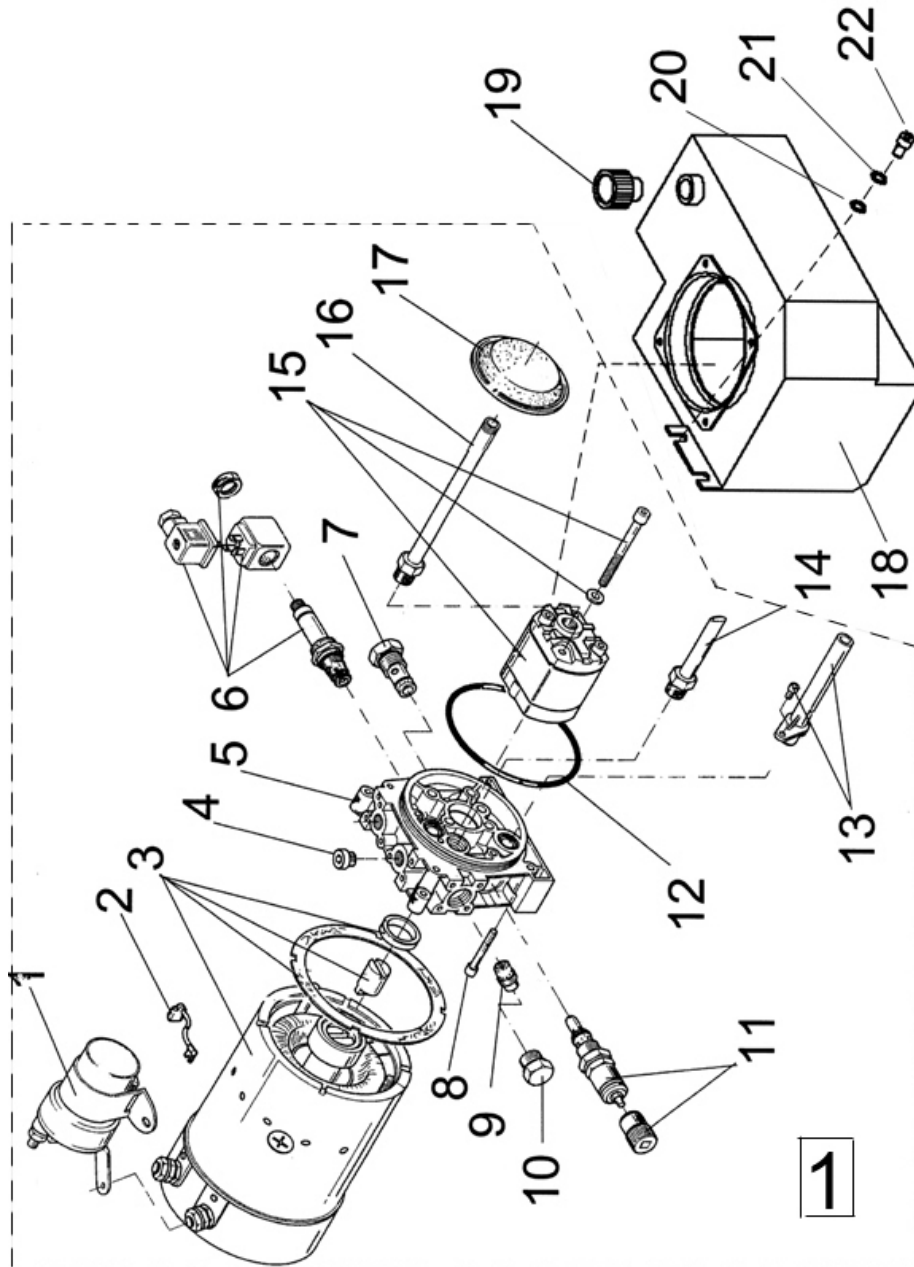
**Figure 27 Inner Cylinder Sealing Parts**



No.	Part Number	Item	Quantity	Remarks
1	2040322007	Dust ring	1	
2	2040322005	Supporting ring for axle	1	
3	2040322008	Supporting ring for hole	1	
4	0000022039	O-ring	1	
5	2040322009	Seal ring	1	
6	2000337001	Safety explosion proof valve assembly	1	

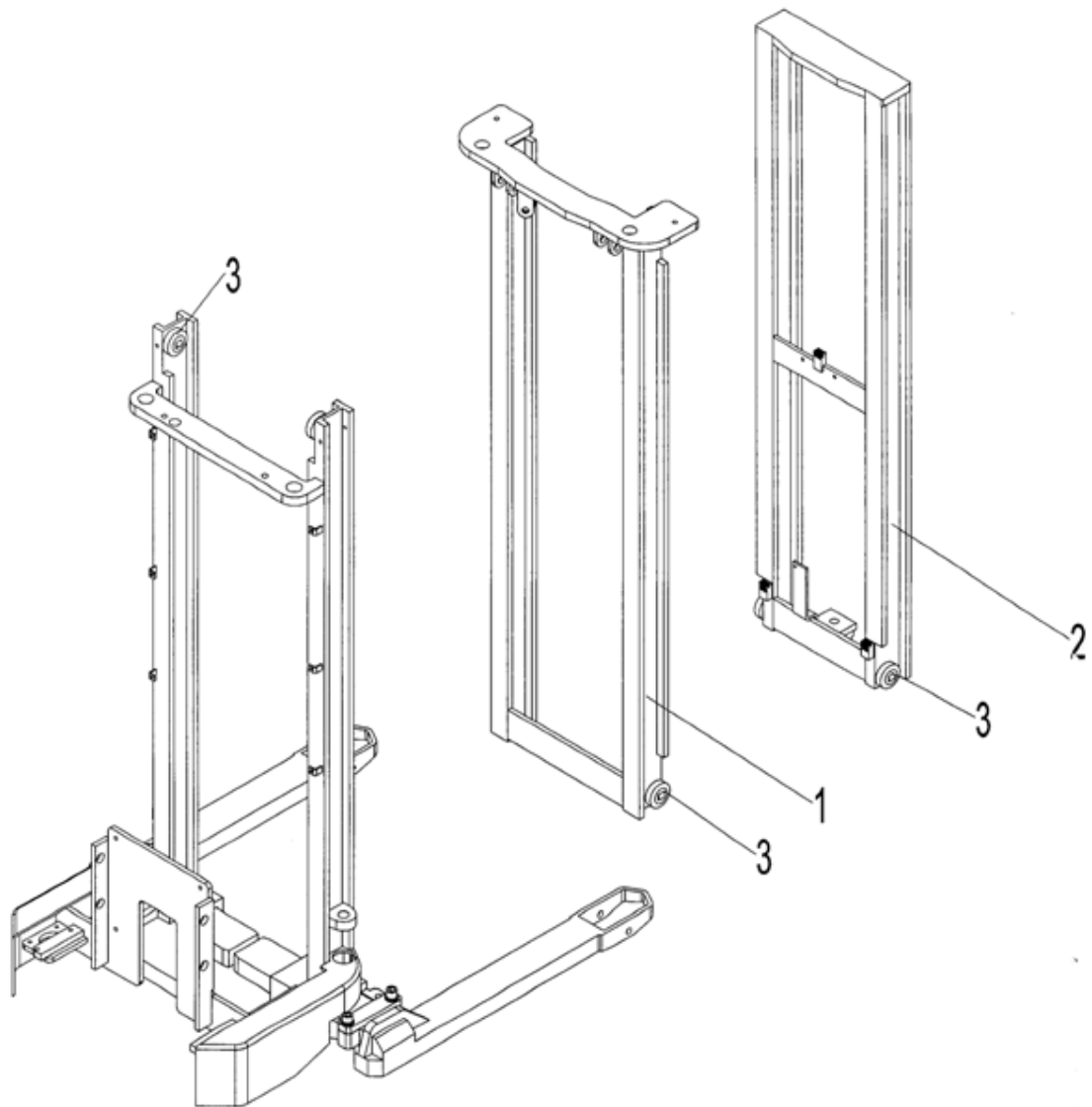


Figure 28 Pump System



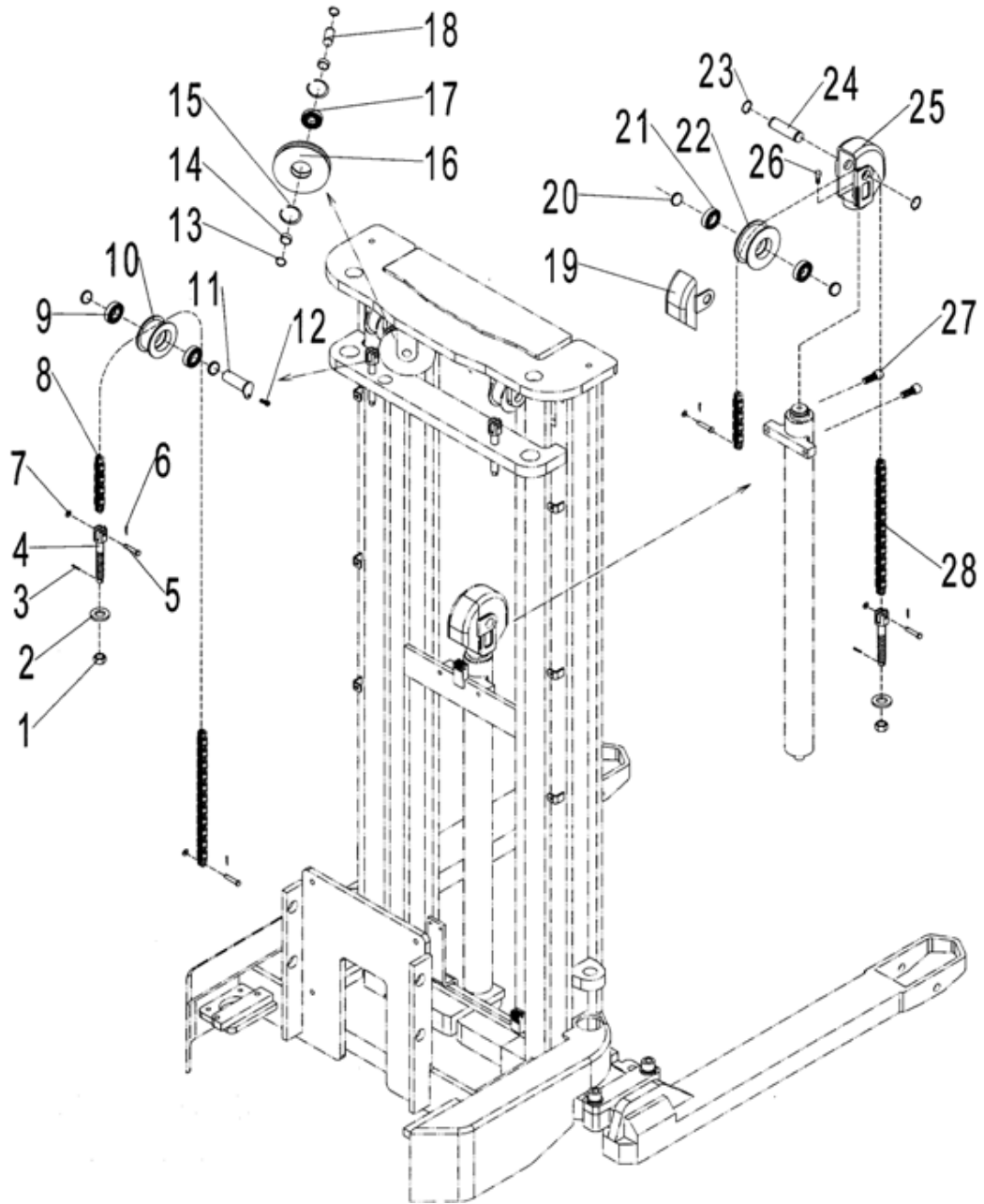
No.	Part Number	Item	Quantity	Remarks
1	2040334001	Starter relay	1	
2	2040335001	Carbon brush (assembly)	1	Iskar
	9000003582	Carbon brush (assembly)	1	Hydr
3	2040337001	Motor	1	Iskar
	9000003583	Motor	1	Hydr
4	2000323001	Screw plug	1	
5	2000300002	Valve body	1	
6	2000335003	Solenoid valve	1	
7	2000335004	Check valve	1	
8	2000323002	Screw	4	
9	2040315002	Flow control valve	1	
10	2000323003	Bolt	1	
11	2040315003	Overflow valve	1	
12	2000322004	O-ring	1	
13	2000317008	Oil return tube	1	
14	2040317008	Oil return tube	1	
15	2040337002	Gear pump	1	
16	2040317009	Oil suction tube	1	
17	2000300004	Filter screen	1	
18	2040301001	Oil tank	1	
19	2000303001	Ventilation screw plug	1	
20	0000025011	Flat washer	2	
21	0000025001	Spring washer	2	
22	0000023089	Screw	2	
①	2230300001	Pump	1	3.0KW (Iskar motor)
	9000002314	Pump	1	3.0KW (Hydr motor)

**Figure 29 Main Frame**



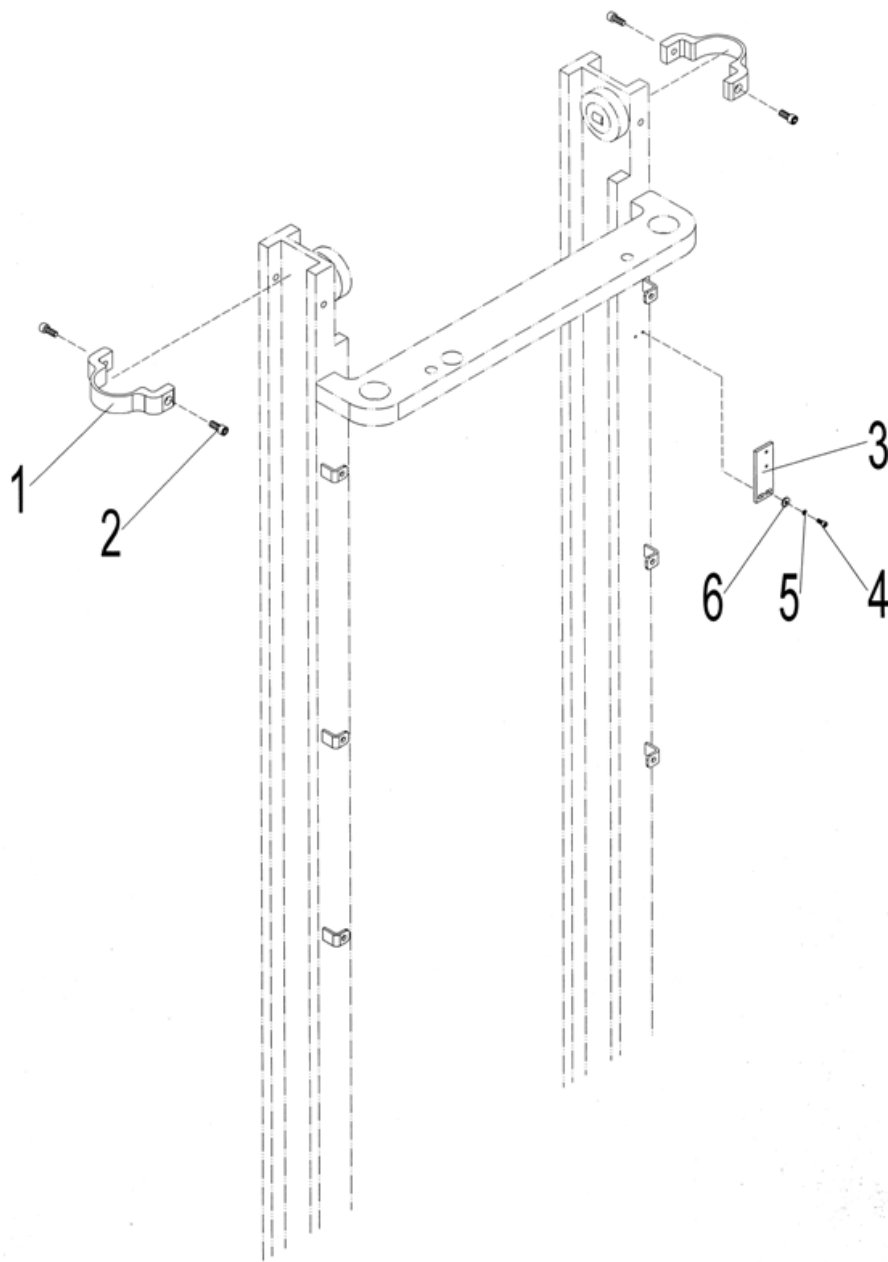
No.	Part Number	Item	Quantity	Remarks
1	2040601009	Standard middle lifting main frame	1	CS1546
2	2040601013	Standard internal lifting main frame	1	CS1546
3	2040511001	Integral roller (assembly)	8	

Figure 30 Chain System



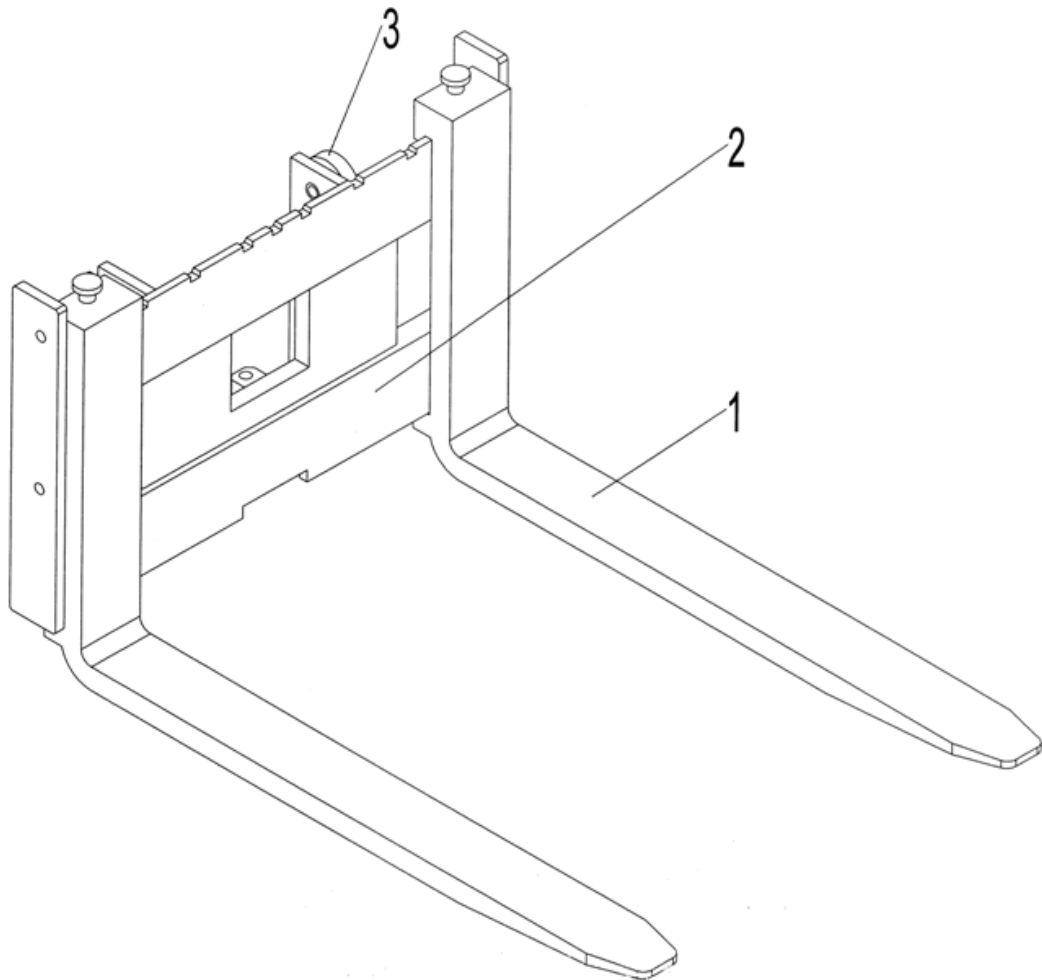
No.	Part Number	Item	Quantity	Remarks
1	0000024011	Nut	3	
2	0000025029	Flat washer	3	
3	0000028011	Cotter pin	3	
4	2220312001	Chain lever	3	
5	0000028012	Shaft	6	
6	0000028010	Cotter pin	6	
7	0000025014	Flat washer	6	
8	0000029009	Chain	2	CS1546
9	0000027012	Bearing	4	
10	2040610001	Chain wheel B	2	
11	2040601017	Chain wheel shaft assembly	2	
12	0000023091	Screw	2	
13	0000026003	Spring washer for shaft	2	
14	2040625001	Adjusting washer	2	
15	0000026009	Spring washer for hole	2	
16	2040610003	pulley	1	
17	0000027001	Bearing	1	
18	2040607002	Pulley shaft	1	
19	2230305002	Side cover	1	
20	2000302002	Adjusting washer	6	
21	0000027012	Bearing	2	
22	2040610004	Chain wheel	1	
23	0000026008	Spring washer for shaft	2	
24	2230307001	Chain wheel shaft	1	
25	2230305001	Chain wheel seat	1	
26	0000023094	Screw	1	
27	0000023088	Screw	2	
28	0000029018	Chain	1	CS1546M

**Figure 31 Other Accessories of Main Frame**



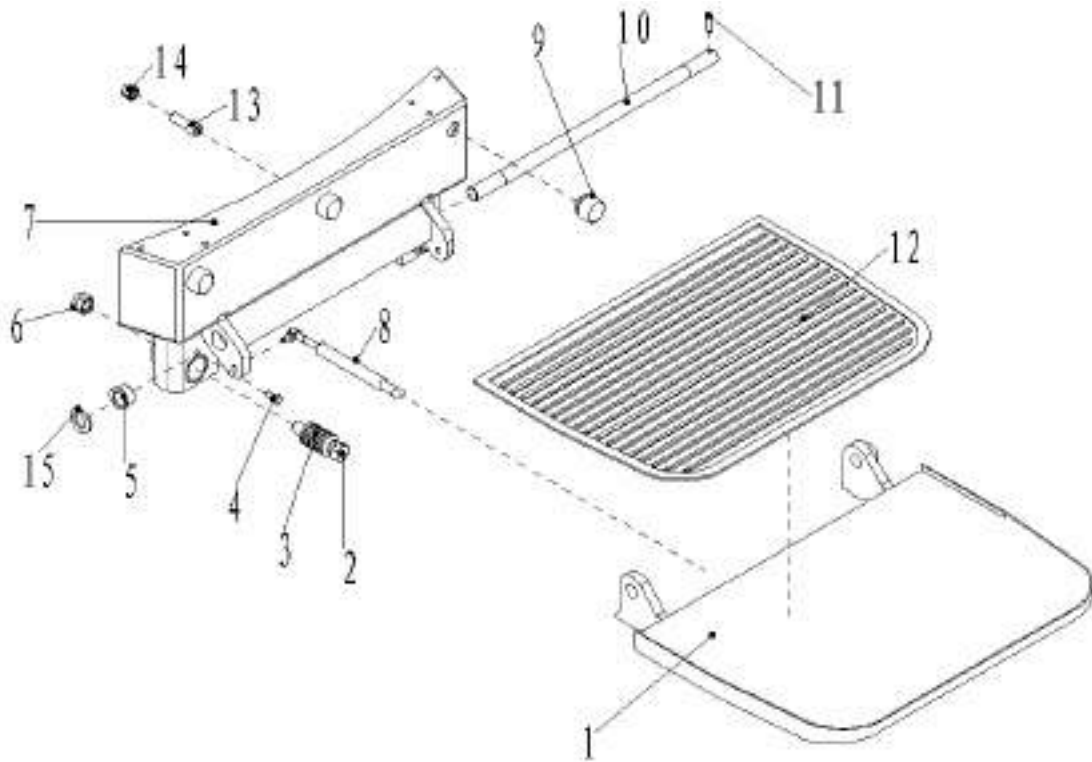
No.	Part Number	Item	Quantity	Remarks
1	2040605003	Cylinder fixing plate	2	
2	0000023067	Screw	4	
3	2040602001	Limited-switch installation plate	1	
4	0000023040	Screw	2	
5	0000025010	Spring washer	2	
6	0000023055	Flat washer	2	

**Figure 32 Pallet Bracket**



No.	Part Number	Item	Quantity	Remarks
1	2020501003	Fork	2	L=950
	3008000027	Fork	2	L=1150
2	2050501001	Fork support	1	
3	2220511001	Integral roller (assembly)	4	

**Figure 33 Foot Pedal**

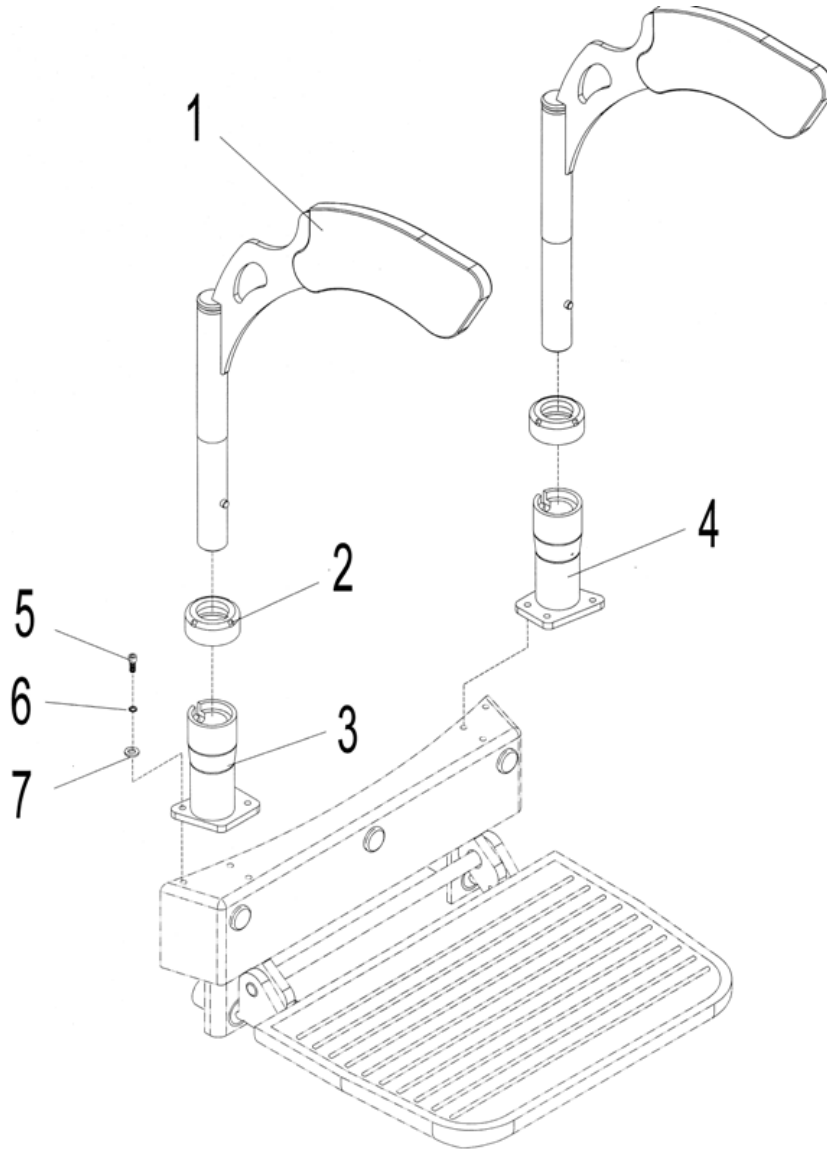


No.	Part Number	Item	Quantity	Remarks
1	2000401013	Pedal	1	
2	0000023117	Bolt	2	
3	0000031001	Disc spring	46	
4	0000023425	Bolt	1	
5	2000413003	Bush	2	
6	0000024011	Nut	2	
7	2000401014	Connecting plate	1	
8	2000421001	Gas spring	1	
9	2000418003	Shake proof jacket	3	
10	2000407003	Rotating shaft	1	
11	0000028016	Elastic cylindrical pin	1	
12	2000418002	Rubber pad	1	
13	0000023082	Screw	3	
14	0000024006	Nut	3	



15	0000025031	Flat washer	N	
----	------------	-------------	---	--

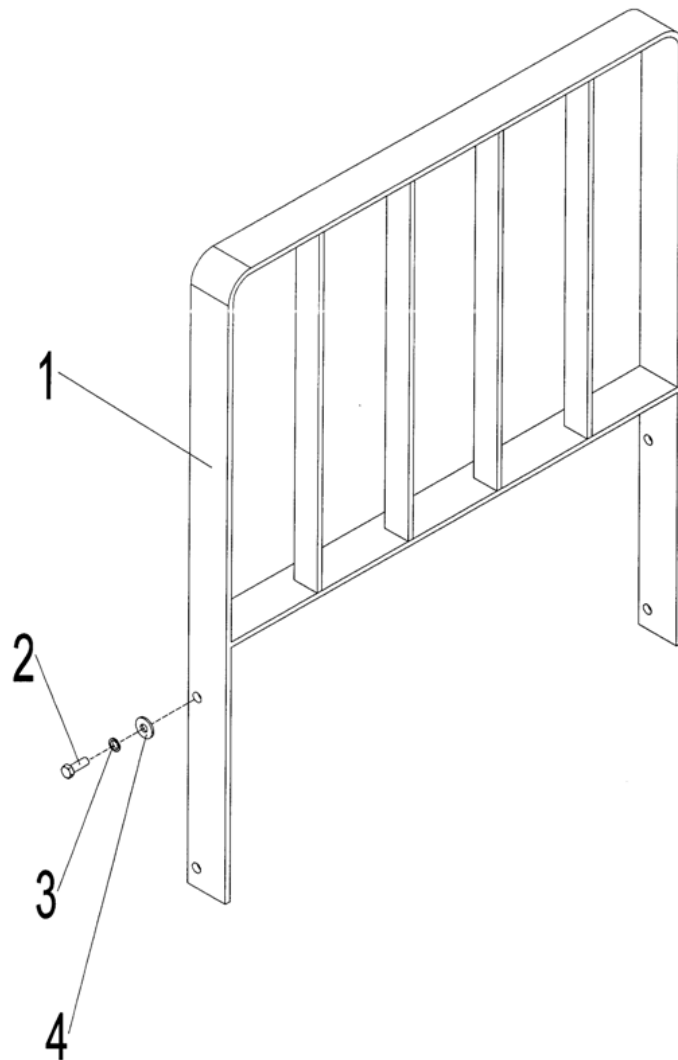
**Figure 34 Protective Arm**



No.	Part Number	Item	Quantity	Remarks
1	1020400001	Protective arm	2	
2	1020402002	Cap nut	2	
3	1020401001	Left protective arm bracket	1	
4	1020401002	Right protective arm bracket	1	
5	0000023172	Screw	6	
6	0000025001	Spring washer	6	

7	0000025011	Flat washer	6	
---	------------	-------------	---	--

**Figure 35 Load Back-rest**



No.	Part Number	Item	Quantity	Remarks
1	2020501002	Load back-rest	1	
2	0000023156	Bolt	4	
3	0000025024	Spring washer	4	
4	0000025032	Flat washer	4	

**Manufacturer maintains the rights of modifying this manual  
without notice!**