

Gillison's Variety Fabrication, Inc.



GVF Rough Terrain Forklift JCB Engine Tier III Parts

3033 Benzie Hwy. Benzonia, MI 49616 231-882-5921
Fax 231-882-5637 www.gillisons.com 800-392-6059

**1 MAIN INDEX – 320/50146**

TITLE	PAGE NUMBER	CHANGE NUMBER
ENGINE POWER PACK		
ENGINE ASSEMBLIES		
IPU ASSEMBLY, 320/50146	3	
ATTACHMENTS POWER PACK		
ANCILLARIES		
IDLER WHEEL	4	
CRANKCASE, VENTILATION	5	
FANS, PULLEYS, BELT	6	
DIPSTICK	7	
AIR INTAKE HEATER	8	
GASKET SETS, Turbo Outlet	9	
IDLER WHEEL	10	
ENGINE		
ENGINE		
ENGINE, 320/40321	11	



A1-1-25 IPU ASSEMBLY, 320/50146

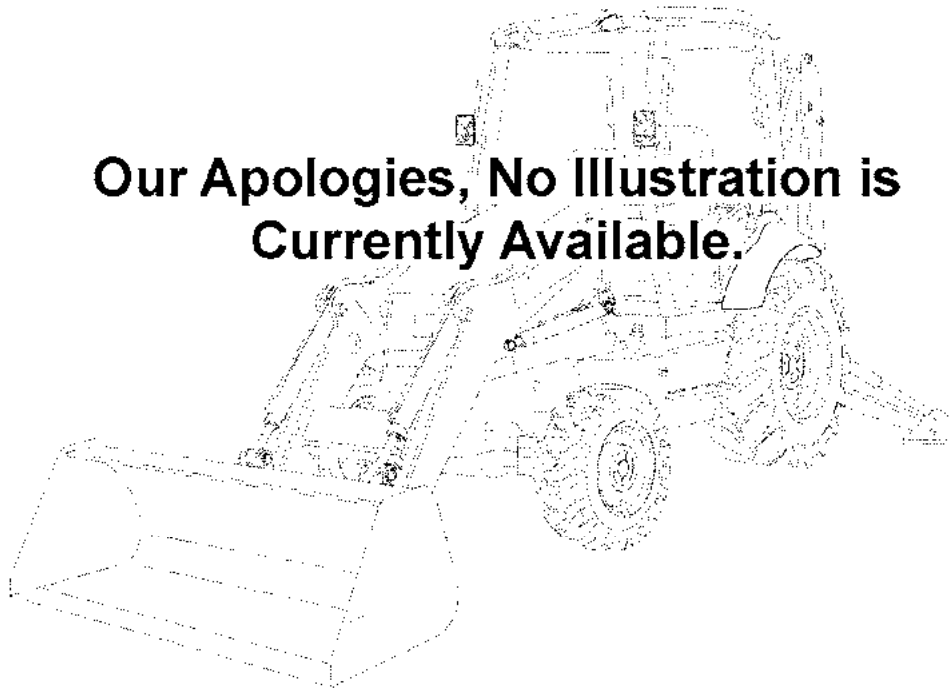
9810/8001

ISSUE 1

FROM TO

320/50146

**Our Apologies, No Illustration is
Currently Available.**



ITEM	PART NO	CHANGE NO	DESCRIPTION	USAGE CODE	QTY
1	320/40321		GA TC ENGINE 63kW 12 GA TC ENGINE 63kW 12		1
10	320/20135		G.A FEAD 1.25/262 COM INCREASED WRAP		1
11	320/20120		Fan IDLER BRACKET NO AIRCON 1.16+1.25		1
12	320/20055		G.A ENGINE DIPSTICK & TUBE LONG		1
13	320/20108		G.A Air Intake Heater 12v		1
15	320/20060		G.A PTO BLANKING PLATE SAE		1
16	320/20061		Plate Blanking		1
30	320/06036		Gasket turbo outlet		1
46	320/20521		Breather Crankcase HOSE		1
50	9801/9310		Handbook JCB Engine		1



B1-1-2 IDLER WHEEL

9810/8001

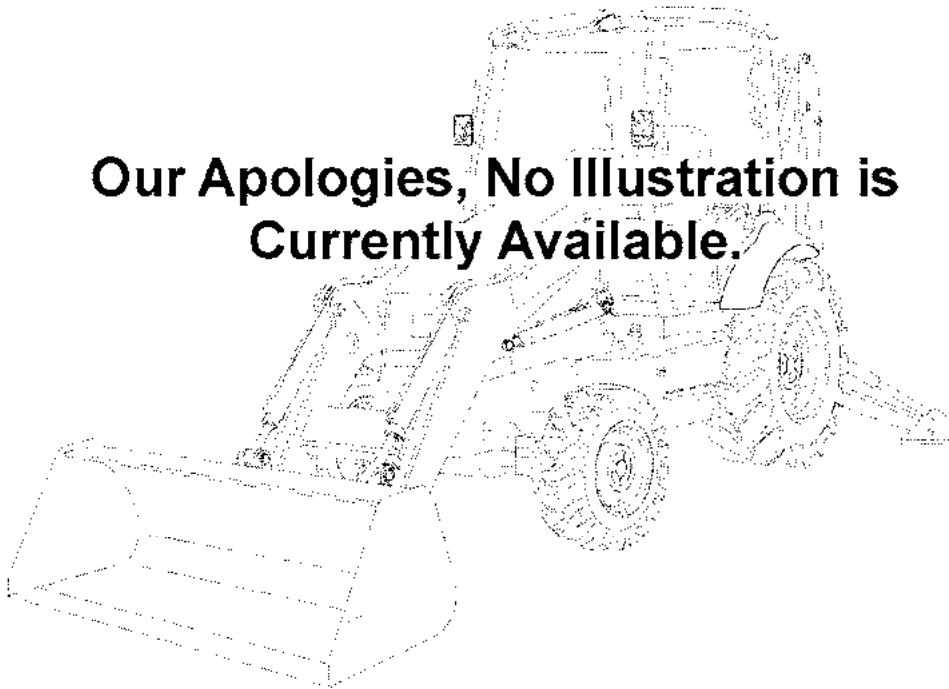
ISSUE 1

FROM TO

320/50146

ITEM	PART NO	CHANGE NO	DESCRIPTION	USAGE CODE	QTY
1	320/08624		Pulley lower idler assembly		1
2	1317/3315Z		Bolt flange head M8 x 65		1

**Our Apologies, No Illustration is
Currently Available.**

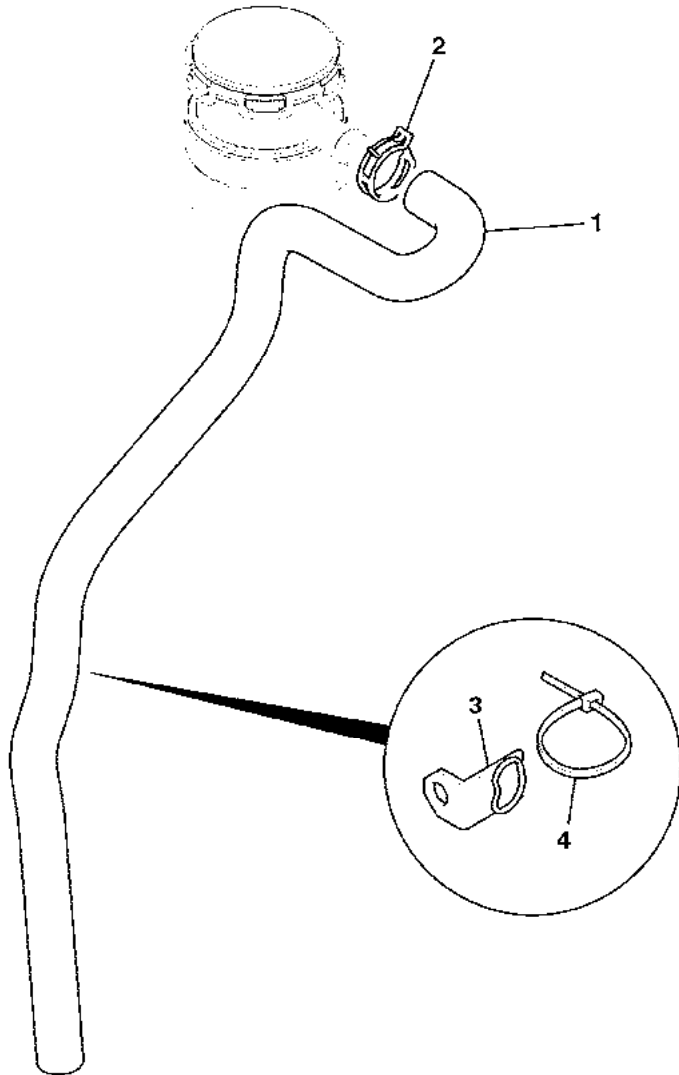




B1-1-10 CRANKCASE, VENTILATION

9810/8001

ISSUE 1



FROM TO

320/50146

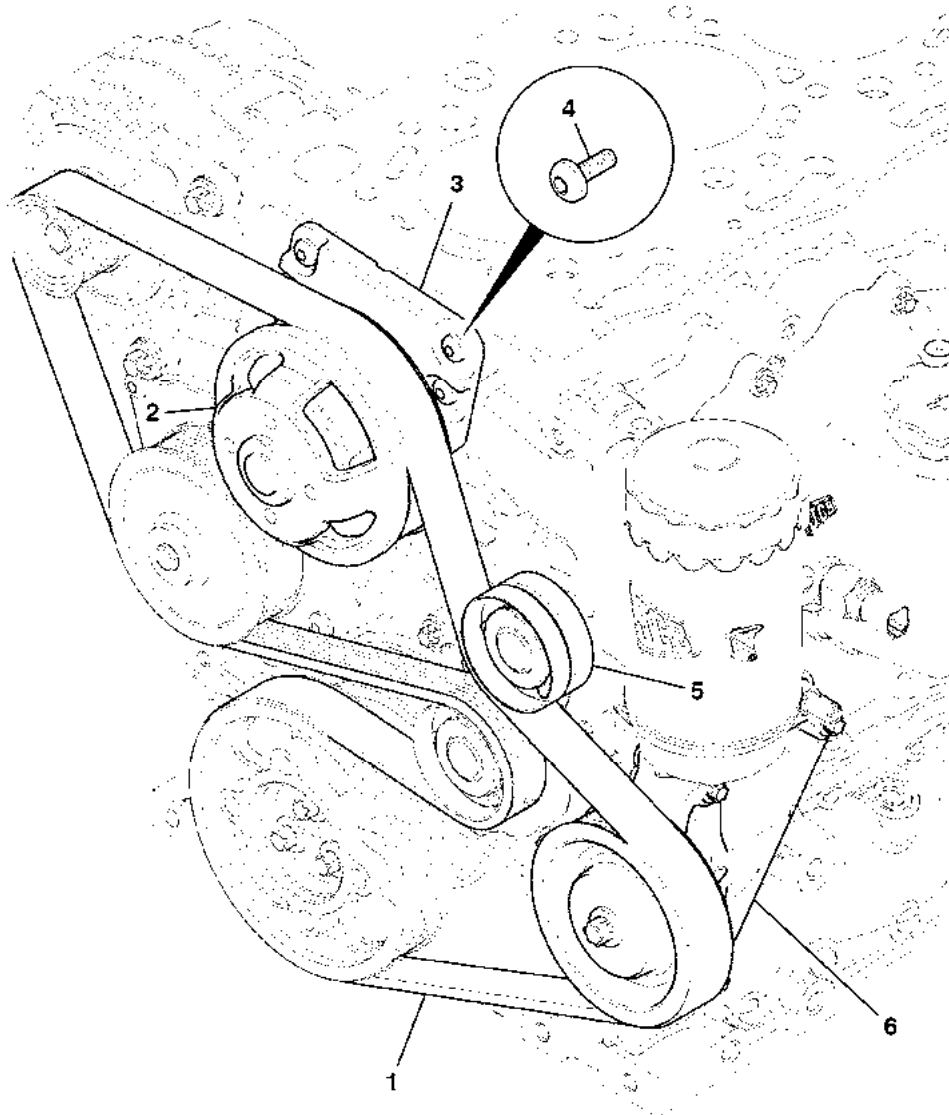
ITEM	PART NO	CHANGE NO	DESCRIPTION	USAGE CODE	QTY
1	320/07726		Hose CCV outlet		1
2	821/10477		Clamp hose springband		1
3	263/34900		Clip harness		1
4	826/01144		Tie cable 200mm long		1

935360


B1-1-11 FANS, PULLEYS, BELT

9810/8001

ISSUE 1



782030

FROM TO

320/50146

ITEM	PART NO	CHANGE NO	DESCRIPTION	USAGE CODE	QTY
1	320/08609		Belt drive L=1995		1
2	320/08503		Pulley cooling fan 1.25:1 D=133mm		1
3	320/08550		Hub fan drive assembly 1.375 ratio		1
4	320/08541		Screw pan head M8 x 20		4
5	320/08530		Pulley idler long		1


B1-1-12 DIPSTICK

9810/8001

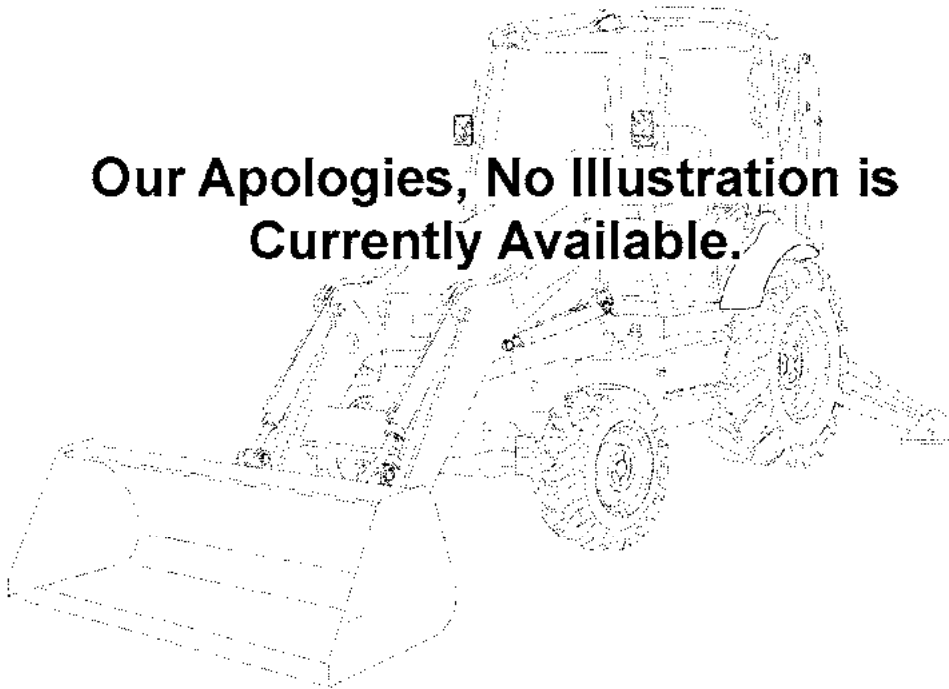
ISSUE 1

FROM	TO
------	----

320/50146

ITEM	PART NO	CHANGE NO	DESCRIPTION	USAGE CODE	QTY
1	320/04267		Dipstick assembly ABI		1
2	:320/04198		Tube engine oil dipstick long		1
3	::320/04127		O Ring		2
4	:320/04268		Dipstick long		1
5	::320/04129		O Ring		1
6	1317/3303Z		Bolt M8 x 16 flange reduced hex		1

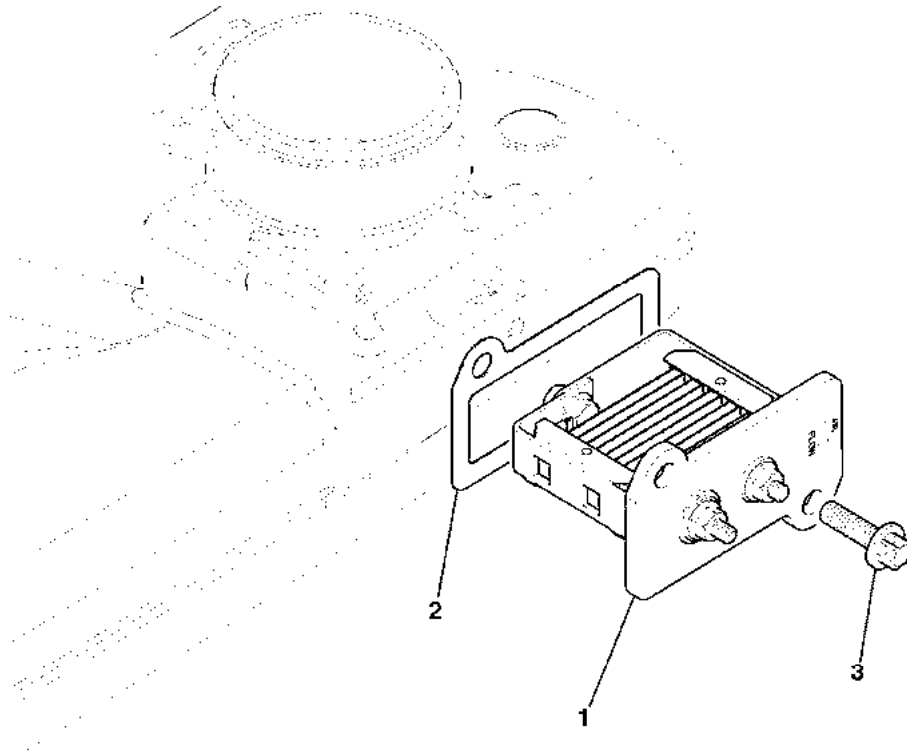
**Our Apologies, No Illustration is
Currently Available.**




B1-1-13 AIR INTAKE HEATER

9810/8001

ISSUE 1



FROM TO

320/50146

ITEM	PART NO	CHANGE NO	DESCRIPTION	USAGE CODE	QTY
1	320/05527		Heater air intake -12v		1
2	320/05567		Gasket intake heater		1
3	1319/0307Z		Screw star drive M8 x 25		2

734700



B1-1-22 GASKET SETS, Turbo Outlet

9810/8001

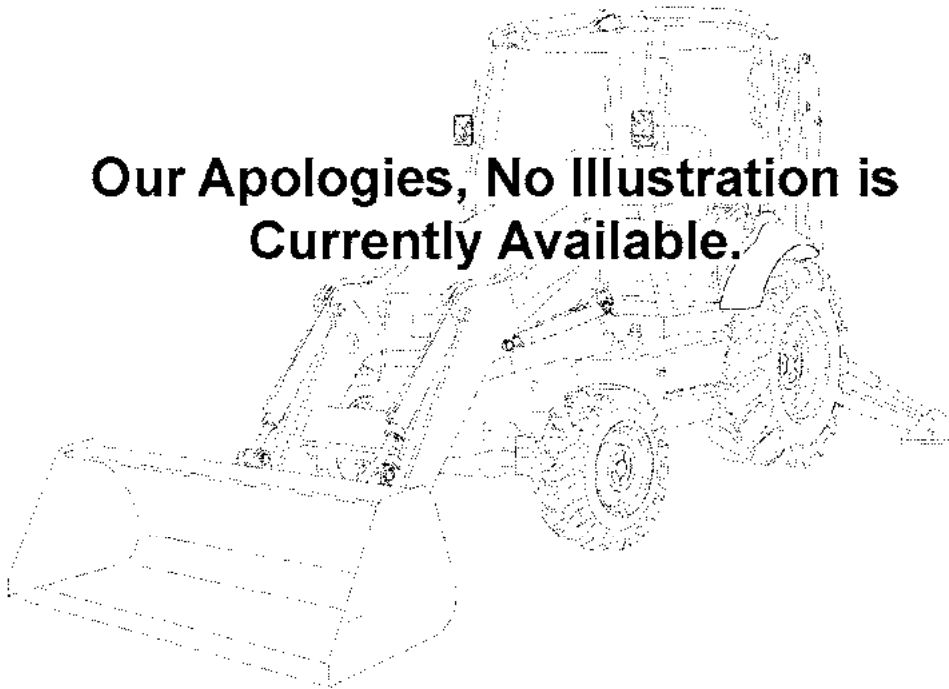
ISSUE 1

FROM TO

320/50146

ITEM	PART NO	CHANGE NO	DESCRIPTION	USAGE CODE	QTY
	320/06036		Gasket turbo outlet		1

**Our Apologies, No Illustration is
Currently Available.**

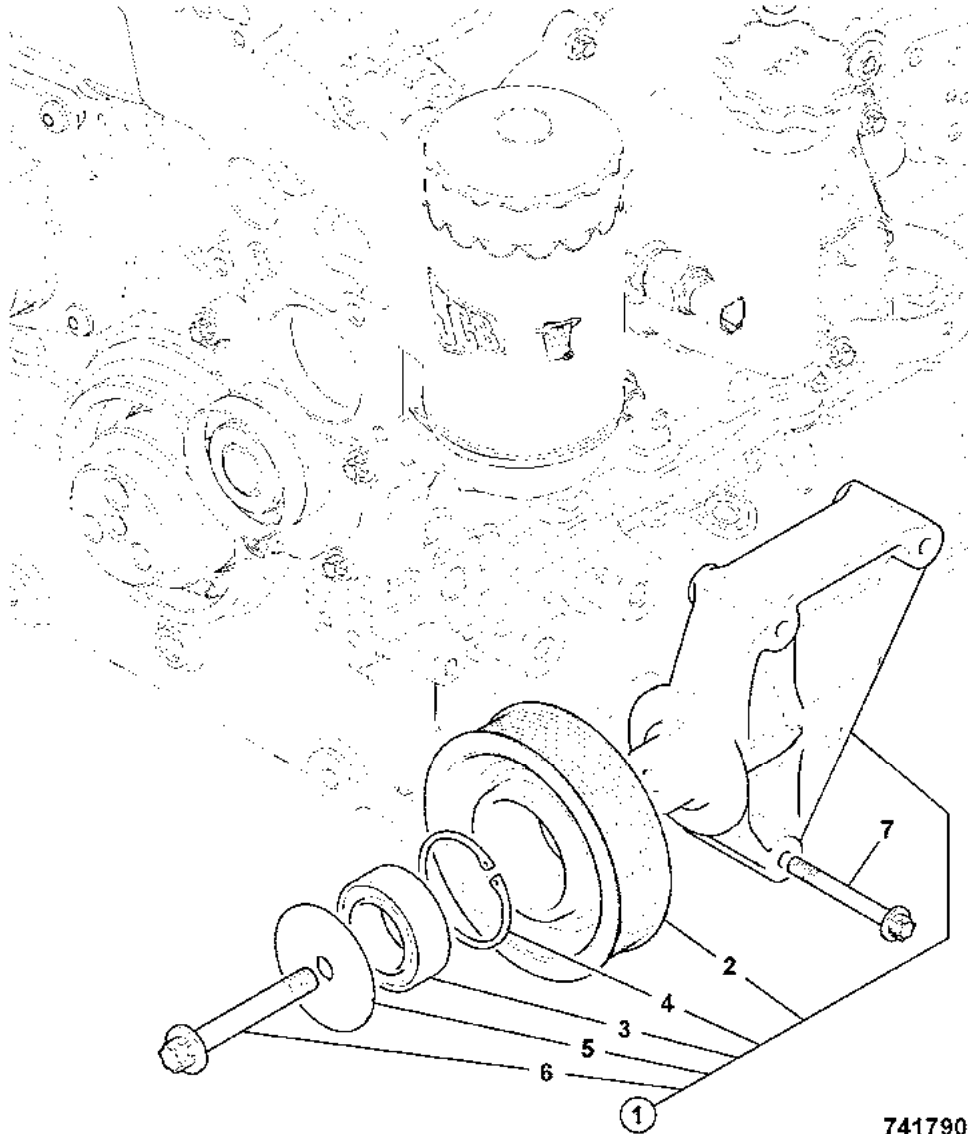




B1-10-2 IDLER WHEEL

9810/8001

ISSUE 1



741790

FROM TO
320/50146

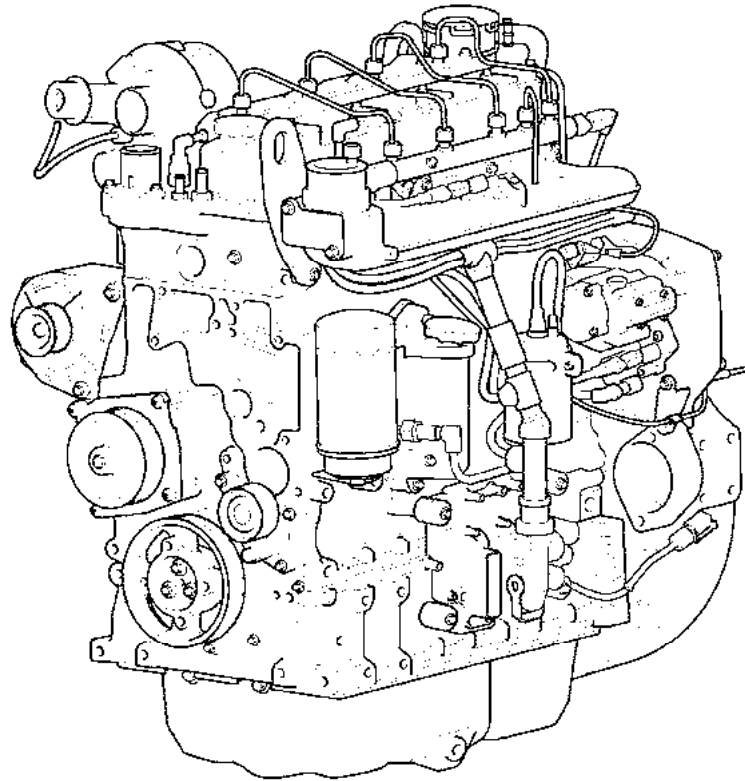
ITEM	PART NO	CHANGE NO	DESCRIPTION	USAGE CODE	QTY
2	:826/10613		Screw flanged M10 X 50		1
3	:320/08622		Pulley idler D=124mm		1
4	:320/08625		Washer idler retainer		1
5	:320/08626		Bearing idler pulley		1
6	:2203/1062		Circlip internal		1



V5-1-11 ENGINE, 320/40321

9810/8001

ISSUE 1



907070

		FROM	TO		
320/50146					
ITEM	PART NO	CHANGE NO	DESCRIPTION	USAGE CODE	QTY
1	320/20264		Block Assembly		1
2	320/20001		Crankshaft Assembly		1
3	320/20265		Piston and Conrod		4
4	320/20266		Camshaft		1
10	320/20267		Cylinder Head		1
11	320/20008		Valve Inlet		8
12	320/20009		Valve Exhaust		8
13	320/20196		Shaft Rocker		1
14	320/20012		Manifold Inlet		1
15	320/20104		Blank Intake Heater		1
19	320/20014		Manifold Exhaust		1
20	320/20410		G.A TURBO 63kW mT3		1
21	320/20142		Turbocharger Lubrication Feed Pipe		1
22	320/20222		Turbocharger Lubrication Drain		1
25	320/20270		Cover Rocker Assembly		1
30	320/20202		Pump Oil		1
31	320/20021		Sump Pan Oil		1
33	320/20024		Cooler Oil inc Filter/Filler		1
40	320/20025		Pump Water		1
41	320/20026		Thermostat Housing		1
42	320/20027		Pipe Water inlet		1
50	320/20291		Pump Fuel Injection		1
51	320/20362		Injector Assembly		4
52	320/20041		Pipes assembly		1
53	320/20274		Pipes Fuel Low Pressure		1
54	320/20031		Sensor Cold Start Advance		1
55	320/20044		Filter fuel		1

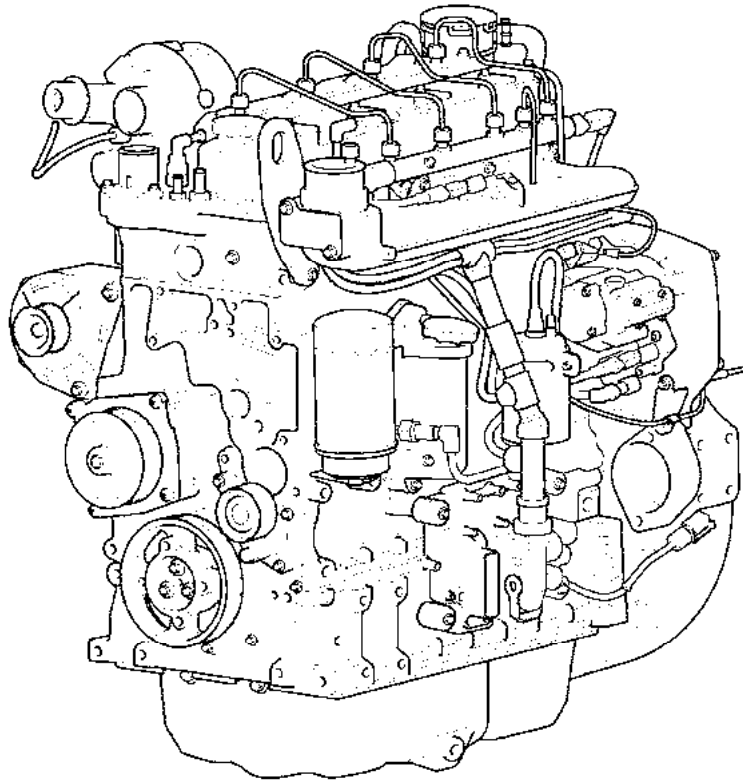
Continued



V5-1-11 ENGINE, 320/40321

9810/8001

ISSUE 1



ITEM	PART NO	CHANGE NO	DESCRIPTION	USAGE CODE	QTY
56	320/20045		Pump Fuel lift		1
70	320/20132		Casing Gear Timing		1
72	320/20062		Housing Flywheel		1
73	320/20064		Plate Flywheel Access		1
75	320/20067		Flywheel assembly W300 T/convertor		1
77	320/20065		Cover F.I.P. Gear		1
80	320/20059		Gear Idler		1
90	320/20046		Adjuster Autotensioner		1
91	320/20172		Alternator 14V/95AMP		1
100	320/20050		Bracket Lifting		1
101	320/20052		Motor Starter		1

907070

Gillison's Variety
Fabrication, Inc.

3033 Benzie Hwy. Benzonia, MI 49616 231-882-5921
Fax 231-882-5637 www.gillisons.com 800-392-6059