



SF30 Forklift

Engine model: 490BPG

Rated power:

Operating weight:

Model shown may include optional equipments

SF30 Forklift

Engine

Model	490BPG
Power type	Diesel
Rated horsepower (kW/rpm)	37/2650
Number of Cylinders	4
Engine displacement (L)	2.54
Rated Torque (N.m/rpm)	148/1900

Travel Speed

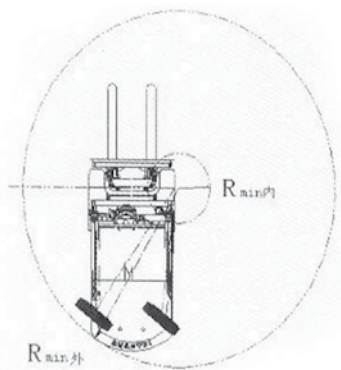
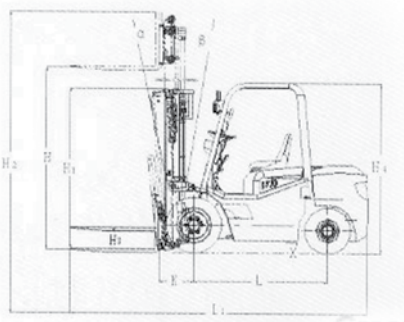
With load (km/h)	0-19/0-20	
Without load (km/h)	8.8/9	18.5/20
Lifting speed (with load)	450 mm/sec	

Standard Dimensions

Load Capacity (kg)	3000
Load Center (mm)	500

Overall Dimensions

Straight-tilt blade



Note: Materials and specifications are subject to change without notice.

Overall Dimensions

Overall length with forks (mm)	3779
Overall length without forks (mm)	2704
Overall width (mm)	1226
Overall height (mm)	2140
Overall height fork lowered (mm)	2065
Overall height fork raised (mm)	4272
Max. lifting height (mm)	3000
Backrest height (from upper face of forks) (mm)	1190
Free lift (mm)	160
Min. under-clearance (bottom of mast) (mm)	130
Fork overhang (mm)	495
Wheel base (mm)	1700
Rear overhang (mm)	509
Lateral fork adjustment (outside of fork) (mm)	250/1060
Tread (front) (mm)	1000
Tread (rear) (mm)	970
Outside turning radius (mm)	2400
Max. Gradeability (%)	20
Total weight (kg)	4500
Tire front	28 x 9-15-12PR
Tire rear	6.50-10-10PR

Unit 1, Jurgens Street, Jet Park, Ext 5, 1619
 Tel: 0860 SHANTUI (742 688) / +27 (0)11 390 8160
 Website : www.shantui.com
 E-mail: shantui@shantuisa.co.za

SHANTUI
 VALUE THAT WORKS™