

Innovative Machine
INOMA

*I.C. Engine-Powered Forklift Trucks
1.5-1.8 ton
(Counter-Balanced Type)*

SPECIFICATIONS

STANDARD SPECIFICATIONS

Characteristics				TCM	
				FG15C13	FG15T13
1	Min. Capacity				
2	Model				
3	Total Capacity		kg		1500
4	Load Centre		mm		500
5	Power Type				Gasoline
6	Overhead Protection				Standard
7	Tire Type		Front: Rigid Rear: Solid		Front: M&G
8	Wheel Load (front)				37.5
9	Minimum Fork Height		mm		1000
10	Travel		mm		125
11	Fork Base		L x W x H		900 x 100 x 36
12	Fork Spread (Overhead)		Max. / Min.		200 / 200
13	Tilt Angle		Full / Bed	deg	5 / 12
14	Length to Load Face			mm	2240
15	Overall Width			mm	1040
16	Max. Hoist Fork Lowered			mm	1995
17	Max. Hoist Fork Raised			mm	4200
18	Overhead Guard Height (EXC, EXE, EXN)			mm	2370
19	Overhead Guard Height (EXC, EXE, EXN)			mm	2100
20	Operator's Seat Height			mm	1015
21	Turning Radius (Outside)			mm	1960
22	Travel Distance (Distance of turn made with one face of fork)			mm	205
23	Rear Overhang			mm	425
23	Rear High Angle Steering Axis Wheel (Add load height and clearance)			mm	3680
24	Travel, Max (Fwd / Rev)	Full Load	km/h		14.5 / 14.0
		No Load	km/h		14.5 / 14.5
		Full Load	min/sec		560
		No Load	min/sec		670
25	Travel, Max	Full Load	km/sec		4.50
		No Load	km/sec		5.50
26	Max. Incline Full	Full Load	mm		2.1
		No Load	mm		6.0
		Full Load	%		2.1
27	Max. Overhead Lift	Full Load	%		2.1
		No Load	%		6.0
		Full Load	%		2.1
28	Total Weight	Full Load	kg		2510
		Front	kg		900
		Engine	kg		100
		Rear	kg		1440
29	Weight Distribution	Max. Floor	mm		272
		Front			6.50 (100%)
		Rear			5.90 (80%)
		Wheelbase			1170
30	Load	Front	mm		850
		Rear	mm		560
		Back end Height	mm		1040
		Overhead Guard Clearance	mm		1030
		Counterweight Height	mm		1110
		Overhead to Counter Height	mm		450
		Step Height (Foot Height)	mm		400 / 350
		Min. Fork Load	mm		100
		Centre of Wheel base	mm		110
		31	Brake	Service / Park	
Parking					Mechanical / Hand lever
32	Voltage - Capacity (V/Ah)		V/Ah		12 - 28
33	Make / Model				NISSAN / 4.15
34	Rated Horsepower / rpm		kW		25.0 / 2400
35	Rated Torque / rpm		N-m		10.2 / 1500
36	Internal Combustion Engine		Number of Cylinders		4
37			Piston Displacement	cc	1480
38			Rated Output	CV/kW	6.6 / 50
39			Fuel Tank Capacity / Type	lit	50
40	Transmission	Type			Manual
41		Steer	Front / Rear		2-2
42	Overhaul Interval	Hour Attachments	MPa / hrs		177

NOTE: * Calculated values

		TCM					
FG18C13	FG18T13	FG15C3	FG15T3	FG18C3	FG18T3		
1750		1500		1750			
N/C		500		500		500	
Gasoline		Gasoline		Gasoline		Gasoline	
Sealed		Sealed		Sealed		Sealed	
Hydraulic		Hydraulic		Hydraulic		Hydraulic	
24 x 2		24 x 2		24 x 2		24 x 2	
3000		3000		3000		3000	
155		155		155		155	
820 x 100 x 35		520 x 100 x 35		820 x 100 x 35		820 x 100 x 35	
420 x 200		420 x 200		420 x 200		420 x 200	
6' 10"		6' 10"		6' 10"		6' 10"	
2275		2240		2275		2275	
1100		1070		1100		1100	
1065		1060		1065		1065	
4030		4020		4030		4030	
7070		7070		7070		7070	
2130		2130		2130		2130	
1015		1015		1015		1015	
2010		1980		2010		2010	
350		355		350		350	
450		420		450		450	
37.5		36.5		37.5		37.5	
14.0 x 14.0		13.5 x 13.5		14.0 x 14.0		14.0 x 14.0	
12.5 x 12.5		12.0 x 12.0		12.5 x 12.5		12.5 x 12.5	
030		030		030		030	
070		050		070		070	
090		050		090		090	
050		050		050		050	
9.3	14.5	12.7	15.7	12.7	13.7	13.7	
5.9		6.9		5.9	6.9	6.9	
22	24	25	23	22	21	21	
1b		1b		1b		1b	
2670		2510		2670		2670	
3800		3210		3800		3800	
N/C		N/C		N/C		N/C	
1030		1070		1030		1030	
1640		1640		1640		1640	
8' 10"		8' 0"		8' 10"		8' 10"	
6.50 to 10.0PH		6.50 to 10.0PH		6.50 to 10.0PH		6.50 to 10.0PH	
5.0 to 10.0PH		5.0 to 10.0PH		5.0 to 10.0PH		5.0 to 10.0PH	
1405		1375		1405		1405	
990		990		990		990	
990		990		990		990	
1045		1045		1045		1045	
1125		1125		1125		1125	
1110		1110		1110		1110	
495		495		495		495	
420 x 500		420 x 500		420 x 500		420 x 500	
100		100		100		100	
110		110		110		110	
Hydraulic Foot pedal		Hydraulic Foot pedal		Hydraulic Foot pedal		Hydraulic Foot pedal	
Mechanical Hand lever		Mechanical Hand lever		Mechanical Hand lever		Mechanical Hand lever	
12. PH		12. PH		12. PH		12. PH	
NISSAN, INC		NISSAN, INC		NISSAN, INC		NISSAN, INC	
25.7 x 24.00		24.6 x 21.50		25.7 x 24.00		25.7 x 24.00	
10.9 x 16.00		16.5 x 10.90		10.9 x 16.00		10.9 x 16.00	
4		4		4		4	
1485		1295		1485		1485	
0.50 x 50		0.50 x 50		0.50 x 50		0.50 x 50	
50		50		50		50	
Manual	Power Shift	Manual	Power Shift	Manual	Power Shift	Manual	Power Shift
0.2	1.1	0.2	1.1	0.2	1.1	0.2	1.1
17.7		17.7		17.7		17.7	

STANDARD SPECIFICATIONS

Characteristics				TCM	
				FD15C13	FD15T13
1	Manufacturer				
2	Model				
3	Load Capacity		%	1500	
4	Load Centre		mm	307	
5	Power Type			Electric	
6	Operator Position			Seated	
7	Fork Type		Fixed / Retr.	Pronged	
8	Wheel(s) - diam.		Fixed / Retr.	25.2	
9	Maximum Fork Height		mm	3200	
10	Fork Lift		mm	150	
13	Fork Size		mm	300 x 100 x 35	
	Fork Spaced (Outside)		mm	950-970	
14	Tilt Angle		deg	6-12	
15	Length to Fork Face		mm	2045	
16	Overall Width		mm	1070	
17	Max Height from Load		mm	1960	
18	Max Height Fork Retra.		mm	4350	
19	Overhead Guard Height (EXD, EXK)		mm	2070	
	Overhead Guard Height (FXD, FXH, FXN)		mm	2130	
20	Operator Seat Height		mm	1015	
21	Turning Radius - Outside		mm	1360	
22	Load Distance (Centerline of front axle to front face of fork)		mm	385	
	Rear Overhang		mm	475	
23	Basic Right Angle Steering Wheel Width (Add 500 mm for 1st clearance)		mm	3985	
24	Travel, Max (Fwd / Rev)	Full Load	mm/hr	18.0 / 13.5	
		No Load	mm/hr	27.0 / 17.0	
25	Speeds	Lifting	mm/sec	590	
		Retract	mm/sec	600	
26	Lowering	Full Load	mm/sec	460	
		No Load	mm/sec	590	
28	Max. Drawbar Pull	Full Load	kN	2.7	13.7
		No Load	kN	5.3	
29	Max. Gradeability	Full Load	%	22	24
		No Load	%	18	
32	Total Weight		kg	2540	
33	Weight	Full Load	kg	1920	
	Operator	Front	kg	510	
34	Max. Load	Front	kg	1050	
		Rear	kg	1470	
36	Number	Front - Rear		2:2	
37	Tires	Front		6.50-10 SPR	
		Rear		5.00-8 SPR	
38	Wheelbase		mm	1425	
39	Track	Front	mm	190	
		Rear	mm	300	
	Recessed Height		mm	1045	
	Overhead Guard Clearance		mm	1090	
	Counterweight Height		mm	1110	
	Drawbar Pin Center Height		mm	445	
	Step Height to Seat Height		mm	410/550	
40	Min. Weight Cap		mm	160	
41	Center of Wheelbase		mm	110	
42	Brake	Service / Hold		Optic / Elect	
43	Parong			Mechanical - Wet Brake	
45	Battery	Voltage / Capacity (20 Hr)	V/Ah	12 / 52	
46	Motor / Model			KLBC75 - 01540	
48	Rated Horsepower (1.5 min)	kW		21.0 / 28.0	
49	Rated Torque (p/r)	Nm		98 / 160	
50	Number of Cylinders			2	
51	Engine	Engine Displacement	cc	199	
52	Alternator Output	Volts/AMP		12.6 / 45	
	Fuel Tank Capacity (Typ)	Liter		50	
53	Transmission	Gear		Manual	Power Shift
		Fwd - Rev		2:2	1:1
57	Operating Pressure	For Attachments	MPa / psi	1.7	

NOTE: * Computed values.

TCM					
FD18C13	FD18T13	FHD15C3	FHD15T3	FHD18C3	FHD18T3
1750		1500		1750	
500		560		500	
Open		11mm		11mm	
Sealed		Sealed		Sealed	
Hydraulic		Hydraulic		Hydraulic	
28" x 2		28" x 2		28" x 2	
3000		3000		3000	
150		150		150	
620 X 100 X 35		620 X 100 X 35		620 X 100 X 35	
500 - 200		500 - 200		500 - 200	
5" x 12		5" x 12		5" x 12	
2075		2245		2275	
1105		1040		1105	
1885		1905		1905	
4100		4090		4090	
2070		2000		2000	
2120		2100		2100	
1015		1040		1040	
2010		1980		2010	
33"		395		365	
455		475		475	
3715		3585		3715	
13.5" x 5.5		12.5" x 6.5	15.0" x 9.0	18.5" x 6.5	18.0" x 9.0
14.0" x 4.0		15.2" x 6.0	17.5" x 6.5	19.0" x 5.0	19.5" x 5.0
500		600		600	
700		800		800	
450		450		450	
550		550		550	
8.8	18.7	14.7	18.0	14.7	10.0
5.5		6.5		8.8	
20	2"	25	31	25	31
15		6		15	
2700		2620		2780	
3600		3550		3610	
580		540		620	
1050		1110		1060	
1650		1510		1720	
2" x 2		2" x 2		2" x 2	
6.50 10" 4PR		6.50 10" 12PR		6.50 10" 10PR	
5.0" 4-PR		5.0" 4-PR		5.0" 4-PR	
1425		1425		1425	
960		890		980	
900		820		900	
1040		1045		1045	
1035		1005		1005	
1110		1110		1110	
495		495		495	
420 - 650		490 - 650		420 - 650	
100		100		100	
110		110		110	
Hydraulic Foot pedal		Hydraulic Foot pedal		Hydraulic Foot pedal	
Mechanical Hand lever		Mechanical Hand lever		Mechanical Hand lever	
12" x 6"		12" x 6"		12" x 6"	
KU907A D-500		NISSAN DIESEL 1207-II		NISSAN DIESEL TD7-II	
21.0 - 2500		47.5 - 2400		42.0 - 2400	
58" x 66.5		170" x 800		170" x 500	
3		4		4	
1389		2000		2685	
0.54 x 45		0.70 x 80		0.72 x 80	
50		50		50	
Manual	Power shift	Manual	Power shift	Manual	Power shift
2-2	1-1	2-2	1-1	2-2	1-1
17.7		17.7		17.7	

Wide View Mast VM

Mast Model	Rated Capacity at 500mm load center (kg)				Max. Fork Height	Overall Mast Height		Tilting Angle F/B	(1) Service weight(kg)					
	FG / D15T13		FG / D18T13			(1) Lowered	(2) Raised with Backrest		FG15T3			FG18T3		
	FG / D15C13	FG / D18C13	mm	mm					S	DD	SDD	S	DD	SDD
VM250	1500	1500	1750	1750	2520	1745	2590	6-10	2470	2470	2700	2630	2650	2700
VM270	1500	1500	1750	1750	2720	1845	2750	6-10	2470	2470	2700	2630	2665	2715
VM300	1500	1500	1750	1750	3020	1995	3030	6-12	2510	2520	2700	2630	2680	2715
VM330	1500	1500	1750	1750	3320	2145	3330	6-12	2520	2520	2700	2630	2700	2730
VM375	1500	1500	1750	1750	3750	2370	3780	6-6	2550	2550	2700	2630	2730	2760
VM400	1500	1500	1750	1750	4000	2540	4000	6-6	2520	2520	2700	2630	2730	2760
VM425	1500	1500	1750	1750	4250	2670	4280	6-6	2510	2510	2700	2630	2730	2760
VM450	1400	1400	1500	1500	4500	2720	4530	6-6	2510	2510	2700	2630	2730	2760
VM475	1300	1300	1300	1300	4750	2820	4780	6-6	2510	2510	2700	2630	2730	2760
VM500	1000	1000	1000	1000	5000	3040	5000	6-6	2500	2500	2700	2630	2730	2760
VM550	1100	1100	1100	1100	5500	3240	5200	6-6	2500	2500	2700	2630	2730	2760
VM600	1100	1100	1100	1100	6000	3500	5410	6-6	2480	2480	2700	2630	2730	2760

NOTE (1) For height for diesel model +30kg

Wide View Full Free 2-Stage Mast VFM

Mast Model	Rated Capacity at 500mm load center (kg)				Max. Fork Height	Overall Mast Height		Free lift with Backrest	Tilting Angle F/B	(3) Service weight(kg)					
	FG / D15T13		FG / D18T13			(1) Lowered	(2) Raised with Backrest			FG15T3			FG18T3		
	FG / D15C13	FG / D18C13	mm	mm						S	DD	SDD	S	DD	SDD
VFM250	1500	1500	1750	1750	2500	1740	2580	240	6-10	2510	2540	2690	2630	2690	2730
VFM270	1500	1500	1750	1750	2700	1840	2730	240	6-10	2510	2540	2690	2630	2700	2730
VFM300	1500	1500	1750	1750	3000	1990	3030	240	6-12	2510	2540	2690	2630	2700	2730
VFM330	1500	1500	1750	1750	3300	2140	3330	240	6-12	2510	2540	2690	2630	2700	2730
VFM350	1500	1500	1750	1750	3500	2290	3530	240	6-12	2510	2540	2690	2630	2700	2730
VFM375	1500	1500	1750	1750	3750	2390	3780	240	6-12	2510	2540	2690	2630	2700	2730
VFM400	1500	1500	1750	1750	4000	2540	4030	240	6-12	2510	2540	2690	2630	2700	2730
VFM425	1400	1400	1500	1500	4250	2690	4280	240	6-12	2510	2540	2690	2630	2700	2730
VFM450	1400	1400	1500	1500	4500	2790	4530	240	6-12	2510	2540	2690	2630	2700	2730
VFM475	1300	1300	1300	1300	4750	2890	4780	240	6-6	2510	2540	2690	2630	2700	2730
VFM500	1000	1000	1000	1000	5000	3090	5030	240	6-6	2510	2540	2690	2630	2700	2730
VFM550	1100	1100	1100	1100	5500	3290	5230	240	6-6	2510	2540	2690	2630	2700	2730
VFM600	1000	1000	1000	1000	6000	3550	5330	240	6-6	2510	2540	2690	2630	2700	2730

NOTE (1) For height without backrest: +30kg

(2) For height with backrest: +370mm

Weight for whole mast: 20kg

(3) Weight for diesel model +30kg

Wide View Full Free 3-Stage Mast VFHM

Mast Model	Rated Capacity at 500mm load center (kg)				Max. Fork Height	Overall Mast Height		(2) Free lift with Backrest	Tilting Angle F/B	(3) Service weight(kg)					
	FG / D15T13		FG / D18T13			(1) Lowered	(2) Raised with Backrest			FG15T3			FG18T3		
	FG / D15C13	FG / D18C13	mm	mm						S	DD	SDD	S	DD	SDD
VFHM250	1400	1400	1600	1600	2520	1740	4200	240	6-6	2100	2100	2400	2300	2300	2400
VFHM300	1400	1400	1600	1600	3020	1870	5200	240	6-6	2100	2100	2400	2300	2300	2400
VFHM325	1300	1300	1500	1500	3250	1910	5300	240	6-6	2100	2100	2400	2300	2300	2400
VFHM350	1400	1400	1600	1600	3500	1910	5300	240	6-6	2100	2100	2400	2300	2300	2400
VFHM375	1300	1300	1500	1500	3750	2040	5300	240	6-6	2100	2100	2400	2300	2300	2400
VFHM400	1300	1300	1500	1500	4000	2140	5300	240	6-6	2100	2100	2400	2300	2300	2400
VFHM425	1200	1200	1400	1400	4250	2240	5300	240	6-6	2100	2100	2400	2300	2300	2400
VFHM450	1200	1200	1400	1400	4500	2340	5300	240	6-6	2100	2100	2400	2300	2300	2400
VFHM475	1100	1100	1300	1300	4750	2440	5300	240	6-6	2100	2100	2400	2300	2300	2400
VFHM500	1100	1100	1300	1300	5000	2540	5300	240	6-6	2100	2100	2400	2300	2300	2400
VFHM550	1100	1100	1300	1300	5500	2740	5300	240	6-6	2100	2100	2400	2300	2300	2400
VFHM600	1100	1100	1300	1300	6000	2940	5300	240	6-6	2100	2100	2400	2300	2300	2400

NOTE (1) For height without backrest: +30mm

(2) For load at vehicle chassis: +300mm

Weight for whole mast: 20kg

(3) Weight for diesel model +30kg

NOTE

Rated capacity with (1) Show capacity with front axle load

Service weight for VM/VFM300-400 and VFHM350-400 represents the weight of vehicle only (does not include fuel tank)

LFing speed with VM/VFM mast: with VFM FG 470mm with load 300mm without load

with VFHM FG 470mm with load 310mm without load

with VFM FG 470mm with load 310mm without load

with VFHM FG 470mm with load 310mm without load

Lowering speed with VM/VFM mast: 420mm with load 370mm without load

Overall vehicle length with VM mast: 1.5m longer than referenced model with VM mast

with VFM mast: 1.5m longer than referenced model with VFM mast

Wide View Mast VM

Mast Model	Rated Capacity at 500mm load center (kg)				Max. Fork Height (mm)	Overall Mast Height		Tilting Angle F/B (deg)	(1) Service weight (kg)					
	FHG15T3 / FHD15T3Z FHG15C3 / FHD15C3Z PNEUMATIC (UNIQUE)ISE		FHG18T3 / FHD18T3Z FHG18C3 / FHD18C3Z PNEUMATIC (UNIQUE)ISE			Lowered (mm)	Raised with Backrest (mm)		FHG15T3 FHG15C3			FHG18T3 FHG18C3		
	S	DD	SDD	S					DD	SDD				
VM250	1500	1500	1750	1750	2500	1745	3000	5-10	2470	2505	2585	2635	2690	2730
VM270	1500	1500	1750	1750	2700	1845	3100	5-10	2490	2530	2610	2660	2715	2745
VM300	1500	1500	1750	1750	3000	1920	4000	5-17	2510	2540	2620	2670	2695	2725
VM330	1500	1500	1750	1750	3300	2145	4300	5-17	2520	2560	2640	2690	2700	2730
VM350	1500	1500	1750	1750	3500	2245	4500	5-17	2540	2570	2650	2700	2710	2730
VM375	1500	1500	1750	1750	3750	2370	4700	5-6 5-12	2555	2595	2675	2725	2730	2740
VM400	1500	1500	1750	1750	4000	2545	5000	5-6 5-12	2565	2605	2685	2735	2740	2750
VM425	1400	1400	1500	1500	4250	2670	5200	5-6 5-12	2575	2615	2695	2745	2750	2760
VM450	1400	1400	1500	1500	4500	2790	5400	5-6 5-12	2585	2625	2705	2755	2760	2770
VM475	1300	1300	1400	1400	4750	2900	5700	5-6 5-6	2595	2635	2715	2765	2770	2780
VM500	1200	1200	1300	1300	5000	3040	6000	5-6 5-6	2600	2640	2720	2770	2775	2785
VM550	1100	1100	1200	1200	5500	3340	6500	5-6 5-6	2610	2650	2730	2780	2785	2795
VM600	1000	1000	1100	1100	6000	3590	7000	5-6 5-6	2620	2660	2740	2790	2795	2805

NOTE (1): Weight for diesel mode: +110kg(TD20)

Wide View Full Free 2-Stage Mast VFM

Mast Model	Rated Capacity at 500mm load center (kg)				Max. Fork Height (mm)	Overall Mast Height			Tilting Angle F/B (deg)	(3) Service weight (kg)					
	FHG15T3 / FHD15T3Z FHG15C3 / FHD15C3Z PNEUMATIC (UNIQUE)ISE		FHG18T3 / FHD18T3Z FHG18C3 / FHD18C3Z PNEUMATIC (UNIQUE)ISE			(1) Lowered (mm)	(2) Raised with Backrest (mm)	Free lift with Backrest (mm)		FHG15T3 FHG15C3			FHG18T3 FHG18C3		
	S	DD	SDD	S						DD	SDD				
VFM250	1500	1500	1750	1750	2500	1745	2500	740	5-12	2510	2540	2620	2670	2685	2705
VFM270	1500	1500	1750	1750	2700	1845	2700	840	5-10	2525	2555	2635	2685	2700	2720
VFM300	1500	1500	1750	1750	3000	1920	4000	990	5-12	2540	2570	2650	2700	2720	2800
VFM330	1500	1500	1750	1750	3300	2145	4300	1140	5-12	2550	2585	2665	2715	2735	2820
VFM350	1500	1500	1750	1750	3500	2245	4500	1240	5-10	2575	2605	2685	2735	2750	2830
VFM375	1500	1500	1750	1750	3750	2370	4700	1360	5-6 5-12	2590	2620	2700	2750	2765	2845
VFM400	1500	1500	1750	1750	4000	2545	5000	1540	5-6 5-12	2610	2640	2720	2770	2785	2865
VFM425	1400	1400	1500	1500	4250	2670	5200	1610	5-6 5-12	2620	2650	2730	2780	2795	2875
VFM450	1400	1400	1500	1500	4500	2790	5400	1750	5-6 5-12	2635	2665	2745	2795	2810	2890
VFM475	1300	1300	1400	1400	4750	2900	5700	1915	5-6 5-6	2650	2680	2760	2810	2825	2905
VFM500	1200	1200	1300	1300	5000	3040	6000	2040	5-6 5-6	2660	2690	2770	2820	2835	2915
VFM550	1100	1100	1200	1200	5500	3340	6500	2340	5-6 5-6	2675	2705	2785	2835	2850	2930
VFM600	1000	1000	1100	1100	6000	3590	7000	2520	5-6 5-6	2690	2720	2800	2850	2865	2945

NOTE (1): Fork height without backrest: 470mm

(2): Fork height without backrest: 470mm

Weight (1): without backrest: 30kg

(3): Weight for diesel mode: +110kg(TD20)

Wide View Full Free 3-Stage Mast VFHM

Mast Model	Rated Capacity at 500mm load center (kg)				Max. Fork Height (mm)	Overall Mast Height			Tilting Angle F/B (deg)	(3) Service weight (kg)					
	FHG15T3 / FHD15T3Z FHG15C3 / FHD15C3Z PNEUMATIC (UNIQUE)ISE		FHG18T3 / FHD18T3Z FHG18C3 / FHD18C3Z PNEUMATIC (UNIQUE)ISE			(1) Lowered (mm)	(2) Raised with Backrest (mm)	(3) Free lift with Backrest (mm)		FHG15T3 FHG15C3			FHG18T3 FHG18C3		
	S	DD	SDD	S						DD	SDD				
VFHM300	1400	1400	1500	1500	3000	1745	4000	740	5-5	2505	2535	2615	2665	2680	2700
VFHM330	1400	1400	1500	1500	3300	1870	5000	825	5-1	2510	2540	2620	2670	2685	2715
VFHM375	1300	1300	1400	1400	3750	1955	5950	980	5-4	2525	2555	2635	2685	2700	2730
VFHM400	1200	1200	1300	1300	4000	2145	5850	1140	5-4	2540	2570	2650	2700	2715	2745
VFHM450	1100	1100	1200	1200	4500	2445	5850	1340	5-4 5-6	2560	2590	2670	2720	2735	2765
VFHM500	1000	1000	1100	1100	5000	2645	5950	1540	5-4 5-6	2570	2600	2680	2730	2745	2775
VFHM550	900	900	1000	1000	5500	2900	6400	1660	5-6 5-6	2585	2615	2695	2745	2760	2790
VFHM600	800	800	900	900	6000	3100	7000	1850	5-6 5-6	2600	2630	2710	2760	2775	2805
VFHM650	700	700	800	800	6500	3300	7500	1950	5-6 5-6	2615	2645	2725	2775	2790	2820
VFHM700	600	600	700	700	7000	3500	8000	2020	5-6 5-6	2630	2660	2740	2790	2805	2835

NOTE (1): Fork height without backrest: 470mm

(2): Fork height without backrest: 470mm

Weight (1): without backrest: 30kg

(3): Weight for diesel mode: +110kg(TD20)

NOTE :

Rated capacity with 1.75m shows capacity with front mast link.

Service weight of VM41-M655-500 and VFHM550 700 considers the weight of machine equipped with the 1.75m mast link.

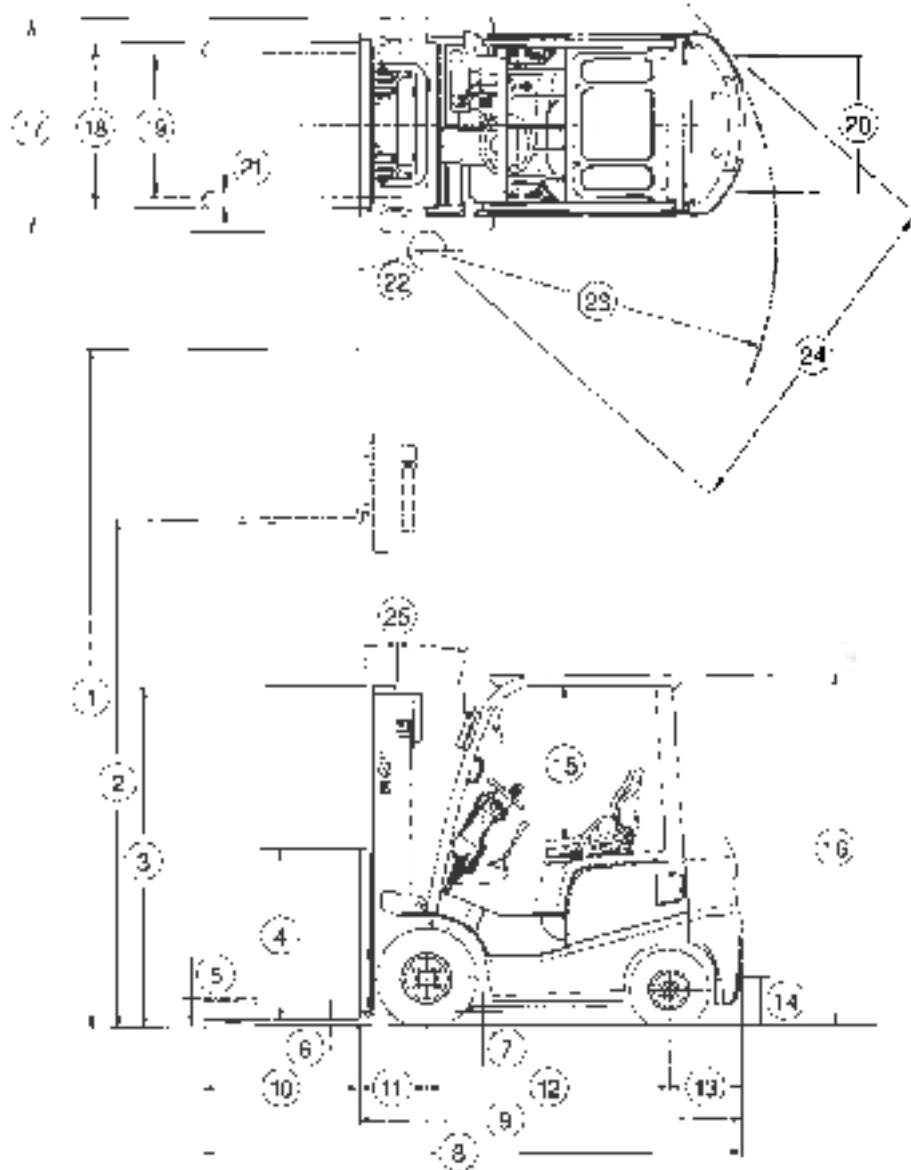
Lifting speed with VM/VFHM mast: with 1.75m FHG 430mm with load 560mm without load
 with 1.50m FHG 210mm with load 540mm without load
 with 1.10m FHG 540mm with load 520mm without load
 FHG 560mm with load 600mm without load

Lowering speed with VM/VFHM mast: 40mm/s with load 170mm/s without load

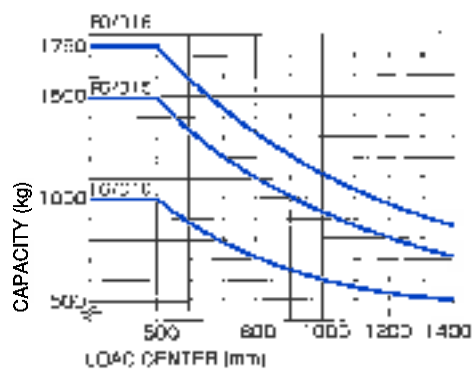
Overall vehicle length: with VM mast: 1200mm longer than standard model and VFHM mast

with VFHM mast: 250mm longer than standard model with VM mast

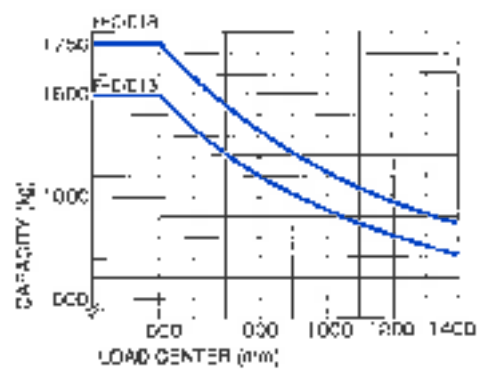
GROUND CLEARANCE	FD / FG15	FHD / FHG15
	FD / FG18	FHD / FHG18
	mm	mm
Mast	110	110
Frame	105	105
Front axle	125	125
Rear axle	125	125
Counter weight	135	135



LOAD CHART 1.5-1.8t (Standard)



LOAD CHART 1.5-1.8t (High Power)



STANDARD DIMENSIONS

STANDARD DIMENSIONS

Model	FD / FG15 FHD / FHG15	FD / FG18 FHD / FHG18
	mm	mm
1 Overall height, fork raised (with backrest)		4030
2 Maximum fork height		3000
3 Mast height, fork lowered		1995
4 Backrest height		1000
5 Free lift		155
6 Fork thickness		35
7 Minimum ground clearance		105
8 Overall length (with forks)	3165	3195
9 Length to fork face	2245	2275
10 Fork length		920
11 Load distance		305
12 Wheelbase		1425
13 Rear overhang	425	455
14 Drawbar Pin Center Height		495
15 Overhead guard clearance (from "ace of seat")**	FD / FG15*18=1035	FHD / FHG15*18=1005
16 Overall height (overhead guard)**		2070
17 Overall width	1070	1100
18 Fork spread (outside)		203 / 520
19 Tread (front)	850	920
20 Tread (rear)		920
21 Fork width		100
22 Inside turning radius	110	95
23 Outside turning radius	1980	2010
24 Minimum intersecting aisle	1790	1500
25 Tilt angles (forward-backward)		0° / 2°

NOTE: **C: 1000mm (EXE) and 800mm (S); **K: 1000mm (EXE) and 800mm (S)

DIMENSIONS WITH FRONT DUAL DRIVE WHEELS (option)

Model	FD / FG15 FHD / FHG15	FD / FG18 FHD / FHG18
	mm	mm
Tire size (front dual Type: DD)	4 x 4.50-12-8PR JL	
17 Overall width		1255
19 Tread (front)		960
22 Inside turning radius		90
23 Outside turning radius	2020	2050
24 Minimum intersecting aisle	1840	1860
Tire size (front dual Type: SDD)	4 x 6.50-10-10PR JL	
17 Overall width		1512
19 Tread (front)		1110
22 Inside turning radius		90
23 Outside turning radius	2095	2120
24 Minimum intersecting aisle	1940	1960

STANDARD EQUIPMENT AND ACCESSORIES

[Equipment]

- Adjustable OHS seat with belt
- Asbestos free brake shoe material
- Cylinder type differential lock with locking function
- Non-leak-on-dry type hydraulic air-caster
- Drawbar device
- Durable overhead guard with iron screen
- Engine auto glow system (Diesel)
- Engine idle-up device (Gasoline)
- Flow control valve
- Fuel water sedimentator (Diesel)
- Full hydrostatic power steering
- Full synchronized gearbox (Gasoline)
- Hydraulic oil dipstick
- ITA Class II carriage
- Lifting pneumatic industrial tires
- Lift circuit cut-off valve
- Load backrest
- Radiator coolant reservoir
- Return hydraulic filter
- Suction hydraulic strainer
- Tilt lock valve
- Transmission oil dipstick (power shift TM)
- Transmission oil filter (power shift TM)
- Wide view two stage mast (VM300)
- 2-speed control valve with pressure relief
- 920mm forks

[Controls]

- Electric shift control lever (power shift TM)
- Lift and tilt levers
- Multi-function switch lever with self-canceling mechanism (Lifting & turn-signal)
- Neutral safety mechanism
- Parking brake lever with inter-lock
- Tilt adjustable steering post

[Accessories]

- Access assistive hand grip
- Back-up buzzer
- Back-up lights
- Deluxe floor mat
- Diesel and portable glow box
- Electric horn
- Front combination lights (turn signal, clearance)
- Head lights - traffic purpose
- High-mounted rear combination lights
- Operator tool kit
- Peni Cup holder
- Side view mirrors

[Instruments and Switch]

- Charge indicator
- Engine oil pressure warning indicator
- Fuel gauge
- Fuel water sedimentator indicator (Diesel)
- Glow Indicator (Diesel)
- Hourmeter
- Igniter key engine stop (Diesel)
- Neutral safety switch
- Water temperature gauge

OPTIONAL LOADING ATTACHMENT

- Alternative fork lengths
- Alternative engine fork extension sleeve
- Hole clamp
- Carbon clamp
- Crane arm
- Crum clamp
- Fork clamp
- Fork positioner hydraulic type (Integral)
- High, wide type load backrest
- Hinged forks/ bucket
- In pad push-pull
- Load stabilizer
- Rear attachment
- Rotating forks (Hook-on/ Integral type)
- Rotating paper roll clamp (Hook-on/ Integral type)
- Side-shifter (Hook-on/ Integral)
- Sleeve in hook
- Wide type fork carriage
- Wide view full free 2-stage (VHM) mast
- Wide view full free 3 stage (VFHM) mast

OPTIONAL EQUIPMENT AND ACCESSORIES

[Equipment]

- Air Boss lines (TRA)
- Auxiliary hydraulic valve modules (max. 5spool)
- Central greasing system (CL)
- Color line (white, green)
- Dual element air-caster (ADE)
- Exhaust purify catalytic muffler (EPM)
- Fingerrip hydraulic valve control (max. 4spool) (FIT)
- Fishery industry package (FC)
- Front dual drive wheels (DD/SDD)
- Full open cabine (AW/ORT)
- Full light guard (HLG)
- Hooter (HF)
- Interlock system (travel & load-unload) (SL)
- Lift lock mechanism (VLL)
- LPG exclusive (fuel filter HC) - Gasoline package
- Overhead exhaust system (TUE)
- Over-head guard/ High profile 2130mm (H-G-H350)
- Overhead guard/ Low profile 1950mm (HGL)
- Plate fin type radiator (RAD PF)
- Pre-caster engine air intake (CAK B)
- Radiator dust screen (fine-medium mesh) (DSR)
- Smoke reduction air-caster muffler (Diesel) (CBM)
- Steering knob auto-return mechanism (SRS)
- Unique cushion tires (SE)

[Accessories]

- Custom paint-work
- Fire extinguisher (FC)
- Rear working light (RWL)
- Rotating warning light (RLY/RLR)
- Tilt cylinder boots (TLB)

[Instruments and Switch]

- Ammeter (AM)
- Oil monitor (fuel level, battery electrolyte level, coolant level, parking brake, air-cleaner, seat-belt)
- Speedometer (SM)
- Torque converter oil pressure gauge (TPM)
- Torque converter oil temperature gauge (OCW) (TM)

Others on request

NOTE :

- Meets following major standards and codes
 - ISO 11074 (Operator Instructional Lift Trucks, Safety & Safety Test Code)
 - ISO 6052 (Powered Industrial Trucks - safety code)
 - US 26001 Industrial Lift Trucks (Japan)
 - US 25011 Safety & Safety Test (Japan)
- Overhead guard meets EN 60282, US 5007
- In conformity with paragraph 1 of the Machinery Directive 2006/20/EC, recommended by the EU and National implementing legislation
- European and American right-hand drives

- Specifications are subject to change without notice and its may vary depending on markets. Please consult your TCM representative for details.

TCM Corporation

Registered Head Office	1-15-12, Kyomachibori, Mishi-ku, Osaka 550-0003, Japan	Phone: +81-6-5441-9151
Tokyo International Business Headquarters	1-15-5, Nishi-shinjyushishi, Minato-ku, Tokyo 105-0003, Japan	Phone: +81-3-3591-2607 Facsimile: +81-3-3591-8152/53
Customer Support Division (Parts supply)	603-1 Chokoji-cho, Omi-hachiman, Shiga 523-0013, Japan	Phone: +81-748-37-2251 Facsimile: +81-748-37-2210
Ryugasaki Plant	3, Ryugasaki, Ibaraki 301-8501, Japan	Phone: +81-297-64-3111
Shiga Plant	578, Chokoji-cho, Omi-hachiman, Shiga 523-0013, Japan	Phone: +81-748-37-6700

TCM OVERSEAS offices and plants

TCM Manufacturing USA, Inc.	107 McQueen Street, West Columbia, SC 29172, U. S. A.	Phone: +1-803-791-5205 Facsimile: +1-803-796-8375
TCM Distribution USA, Inc.	403 Heaton Drive, Suite A, Swadesboro, N. CAROLINA U. S. A.	Phone: +1-866-216-7940 Facsimile: +1-856-514-7320
TCM Europe S.A./N.V.	Louvensesteenweg 530, 1930 Zaventem, Belgium	Phone: +32-2-722-9730 Facsimile: +32-2-722-9748
Anhui TCM Forklift Co., Ltd.	Geng Yan Road, Economic & Technica Development Zone, Hefei, Anhui, PRC, 230601	Phone: +86-551-381-8800 Facsimile: +86-551-361-6610
Anhui Andong Foundry Co., Ltd	21, Wang Jiang Road, Hefei, Anhui, PRC, 230022	Phone: +86-551-365-5153 Facsimile: +86-551-363-7294
Shanghai TCM Forklift Trading Co., Ltd.	1271 Zhongyuan West Road, No.107 Hairuo Building, Shanghai, PRC	Phone: +86-21-6270-3306 Facsimile: +86-21-6270-3307
TCM Asia Distribution Co., Ltd.	157 Wireless Road, Lumpini, Pathumwan, Bangkok 10330, Thailand	Phone: +66-2-651-4070 Facsimile: +66-2-651-4079

TCM Worldwide Sales Networks

Please visit [<http://www.tcmglobal.net>] on the www to locate the appropriate TCM regional distributor in your region or alternatively, please contact TCM International Headquarters in Tokyo directly.



TCM retains the right to change these products and specifications without incurring any obligation relating to such changes. These products and specifications are subject to change without notice. Photos and illustrations may or may not include optional equipment and accessories. Features and specifications may vary depending on markets.



ISO 9001 Certification
(TCM Stage Plant)



ISO 14001 Certification
(TCM Stage Plant)

Manufactured by
TCM
TCM CORPORATION

1-15-5 Nishi-Shinjyoshi, Minato-ku,
Tokyo 105-8003 Japan
Tel : +81 3 3581 6176
Fax : +81 3 3581 9152
www.tcmglobal.net

Distributed by



www.nptrucks.dk

HORSENS TEL. 7564 7500
ROSKILDE TEL. 4675 7800