

# ELECTRIC FORKLIFT

# SPECIFICATION VDI 2198

		BALKANCAR RECORD					
Characteristics	1	Manufacturer					
	2	Type			EP 35	EP 40	EP 50
	3	Load capacity	Q	kg	3500	4000	5000
	4	Load center	C	mm	500		
	5	Drive unit		Battery/diesel/LPG			
	6	Type of operation		Pedestrian/Rider seated/Stand-on			
	7	Tyres		L – pneumatic; SE – superelastic			
	8	Wheels (x–driven)		Number, front/rear 2 x / 2			
Dimensions	9	Lift	h <sub>3</sub>	Lift height	mm	3000 <sup>1)</sup>	
	10		h <sub>2</sub>	Free lift	mm	95 <sup>1)</sup>	60 <sup>1)</sup>
	11		h <sub>5</sub>	Extended free lift	mm	- <sup>1)</sup>	
	12	Fork carriage		According to DIN 15137		3 A	
	13	Fork dimensions	s / e / l	Thickness/width/length	mm	45x120x1150 <sup>2)</sup>	60x130x1150 <sup>2)</sup>
	14	Tilt angle	α / β	Forward/backward	(°)	5 <sup>0±1</sup> / 12 <sup>0±1</sup>	
	15	Overall dimensions	L <sub>2</sub>	Length	mm	2900	3210
	16		B	Width	mm	1200	1300
	17		h <sub>1</sub>	Height, mast lowered	mm	2100	2320
	18		h <sub>4</sub>	Height, mast extended	mm	3585	3815
	19		h <sub>6</sub>	Height of overhead guard	mm	2220	2260
	20		h <sub>7</sub>	Height of seat	mm	1150	
	21		Turning radius	Wa	Outer radius	mm	2590
22	Load distance	X	Front axle center to fork face	mm	498	555	
23	Aisle width	Ast <sub>4</sub>	For pallets 800x1200	mm	4620	4750	
			For pallets 1000x1200	mm	4820	4950	
Performance	24	Speed	Travel	with load/without load	km/h	11 / 12	9 / 10
	25		Lifting	with load/without load	m/s	0,23 / 0,28	
	26		Lowering	with load/without load	m/s	0,4 / 0,5	
	27	Rated drawbar pull		With load S <sub>2</sub> – 60 min	kN	2,9	3,3
	28	Maximum drawbar pull		With load S <sub>2</sub> – 5 min	kN	12	14
	29	Climbing ability		With load/without load S <sub>2</sub> – 30 min	%	4 / 5	
			With load/without load S <sub>2</sub> – 5 min	%	6 / 8		
30	Maximum climbing ability		With load/without load S <sub>2</sub> – 1 min	%	17 / 19	12 / 15	
Weight	31	Weight		Including battery acc. to ISO 5053 – 87	kg	5700	6000
	32	Axle load		With load front/rear	kg	7800/1400	8520/1480
	33			Without load front/rear	kg	2500/3300	2600/3400
Chassis	34	Tyres		Number, front/rear		2 / 2	
	35			Size, front		8,15 – 15 (28x9-15)	250-15
	36			Size, rear		6,50 - 10	
	37	Wheelbase	Y		mm	1830	2060
	38	Track width		Front/rear	mm	991 / 961	1050 / 961
	39	Ground clearance	m <sub>1</sub>	Lowest point with load	mm	120	140
	40		m <sub>2</sub>	Center of wheelbase with load	mm	170	218
	41	Service brake			Mech./hydr./pneum./combined		Hydraulic
42	Parking brake			Hand/foot		Hand	
Drive	43	Battery		Type		Panzer	
	44			Voltage/rated capacity (after 5 hour of work)	V/Ah	80/400	80/440
	45			Weight	kg	1220	1250
	46	Electric motors		Drive motor performance at S <sub>2</sub> – 60 min	kW	12	
	47			Lift motor performance at S <sub>4</sub> – 25%	kW	16,8	
	48	Drive control			Type	Impulse regulator	
49	Transmission			Type	Mechanical		
50	Working pressure			For attachments	MPa	14	
51	Noise level			Average value at operator's ear	dB(A)	70...72	

1) For other lift heights refer to MAST table.

Size h<sub>4</sub> does not include a load backrest. When a backrest is fitted add + 680 mm.

2) Recommended fork dimensions

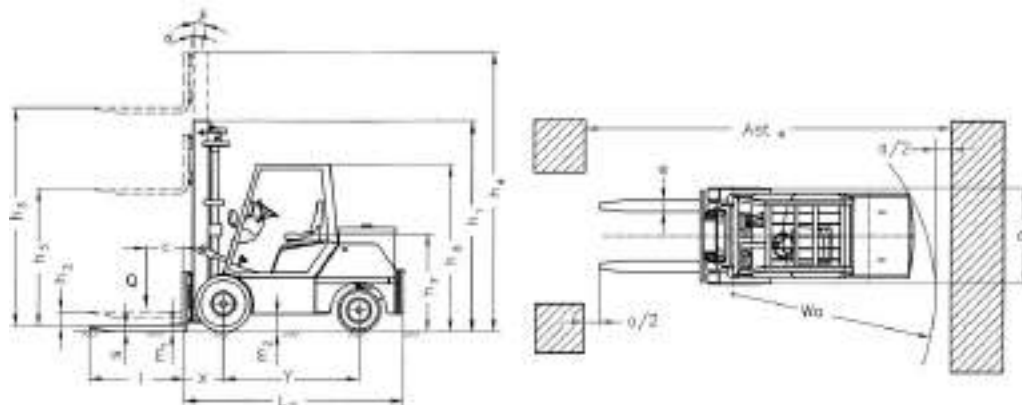
\* Electric forklifts in accordance with BDS EN 1726-1

\* Other variants of specifications, characteristics and batteries are possible.

\* Dimensions and parameters as shown are for reference only. They have been obtained under laboratory testing conditions. They could vary in accordance with the operation mode and the corresponding variants.

\* Balkancar Rekord JSC reserves the right to introduce changes to the specifications and products without notice.

\* The pictures and illustrations do not include all variants produced, additional equipment and accessories.



<b>MAST</b>				
<b>TYPE</b>	<b>LIFT HEIGHT</b> $h_3$	<b>HEIGHT, MAST LOWERED</b> $h_1$	<b>HEIGHT, MAST EXTENDED</b> $h_4$	<b>FREE LIFT</b> $h_2/h_5$

**SIMPLEX – 3,5/4,0 t ELECTRIC FORKLIFT**  
(Two masts, Free lift)

30 S	3000	2100	3585	95
40 S	4000	2590	4545	95
45 S	4500	2840	5045	95

**DUPLEX – 3,5/4,0 t ELECTRIC FORKLIFT**  
(Two masts, Extended free lift)

30 D	3000	2100	3630	1500
------	------	------	------	------

**TRIPLEX – 3,5/4,0 t ELECTRIC FORKLIFT**  
(Three masts, Extended free lift)

42 T	4200	2100	4920	1400
45 T	4500	2240	5240	1500
48 T	4800	2340	5540	1600
52 T	5200	2490	5970	1740
56 T	5600	2590	6320	1850
64 T	6380	2840	7100	2130

**SIMPLEX – 5,0 t ELECTRIC FORKLIFT**  
(Two masts, Free lift)

30 S	3000	2320	3815	60
40 S	4000	2820	4815	60
45 S	4500	3070	5315	60

**DUPLEX – 5,0 t ELECTRIC FORKLIFT**  
(Two masts, Extended free lift)

30 D	3000	2290	3790	1500
------	------	------	------	------

**TRIPLEX – 5,0 t ELECTRIC FORKLIFT**  
(Three masts, Extended free lift)

42 T	4200	2140	4950	1400
45 T	4500	2240	5250	1500
48 T	4800	2340	5550	1600
52 T	5200	2490	5970	1740
56 T	5600	2640	6350	1850
64 T	6400	2890	7150	2130