

ELECTRIC FORKLIFT			SPECIFICATION			
			BALKANCAR RECORD			
1	Manufacturer				AC/ER 630.30 S	AC/ER 634.30 S
2	Type				1250	1600
3	Load capacity	Q	Load center to fork face	mm	500	
4	Load center	C			Battery	
5	Drive unit				Rider seated	
6	Type of operation				3000 ¹⁾	
7	Lift	h_3	Lift height	mm	1938	
8	Overall dimensions	L_2	Length	mm	995	
9		B	Width	mm	2065	
10		h_6	Height of overhead guard	mm	Impulse regulator	
11	Drive control		Type			

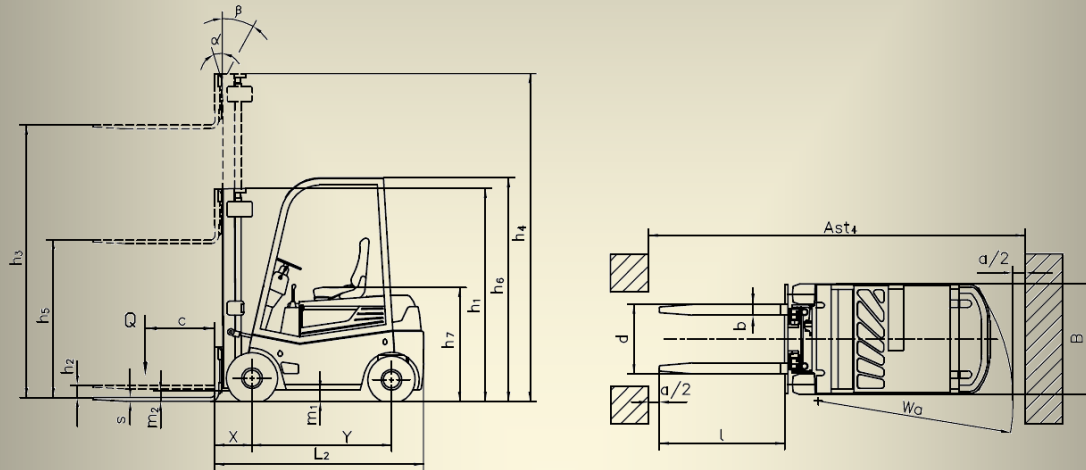
1) For other lift heights refer to MAST table. Size h_4 does not include a load backrest. When a backrest is fitted add + 680 mm.

* Electric forklifts in accordance with BDS EN 1726-1.

* Other variants of specifications, characteristics and batteries are possible.

* Dimensions and parameters as shown are for reference only. They have been obtained under laboratory testing conditions. They could vary in accordance with the operation mode and the corresponding variants.

* Balkancar Rekord JSC reserves the right to introduce changes to the specifications and products without notice.



MAST				
TYPE	LIFT HEIGHT h_3	HEIGHT, MAST LOWERED h_1	HEIGHT, MAST EXTENDED h_4	FREE LIFT h_2/h_5

SIMPLEX - 1,25; 1,6 t ELECTRIC FORKLIFT
(Two masts, Free lift)

30 S	3000	2080	3535	90
40 S	4000	2570	4525	90

DUPLEX - 1,25; 1,6 t ELECTRIC FORKLIFT
(Two masts, Extended free lift)

30 D	3000	2080	3580	1500
------	------	------	------	------

TRIPLEX - 1,25; 1,6 t ELECTRIC FORKLIFT
(Three masts, Extended free lift)

42 T	4200	1970	4770	1400
45 T	4500	2070	5070	1500
50 T	5000	2220	5520	1660
54 T	5400	2370	5970	1800
60 T	6000	2570	6570	2000