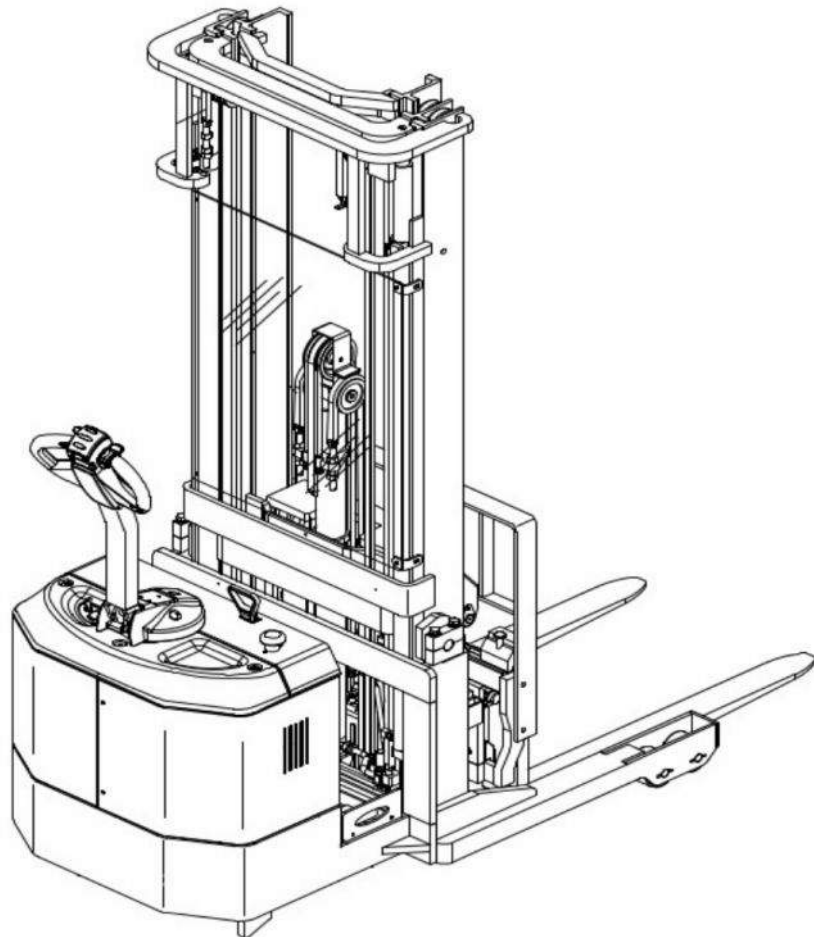


CLARK[®]



Operator's Manual Walkie/Stacker/Reach Counterbalanced Lift Truck WSRX 30

OM-742

**Do not remove this manual
from the truck.**

<https://forklift-manuals.jimdofree.com>

Record the following information pertaining to your vehicle.

Model No. _____

Serial No. _____

Customer Vehicle Identification No. _____

Vehicle Weight, Empty _____

Vehicle Rated Capacity _____

Vehicle Gross Weight _____

Special Equipment or Attachments _____

IMPORTANT

Do not expose this manual to hot water or steam.

Operator's Manual

You must be trained and authorized to operate a lift truck.

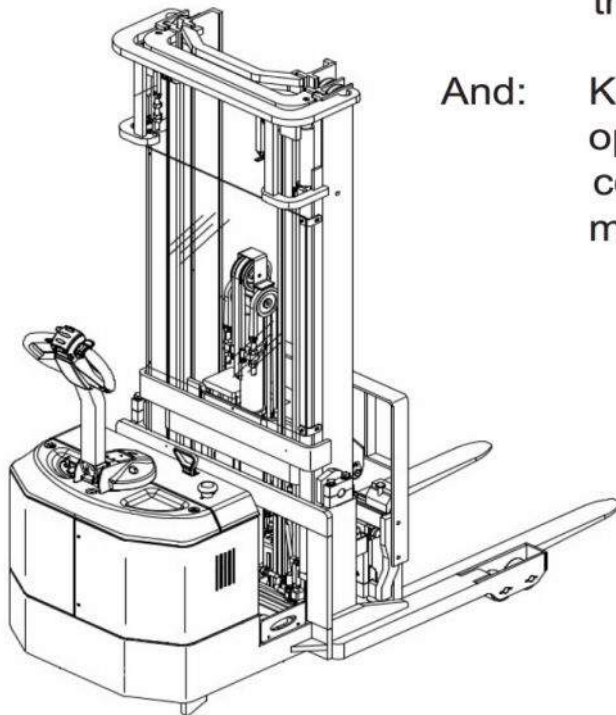
YOU can prevent accidents

First: Learn safe operating rules and your company rules.

Next: Read your Operator's Manual. If you do not understand it, ask your supervisor for help.

Learn about the unit you operate.

KNOW YOUR TRUCK



Then: Practice operating your truck safely.

And: Keep your truck in safe operating condition with correct and timely maintenance.



Breaking these rules will cause serious or fatal injury to yourself and others

A Message to CLARK Lift Truck Operators

Lift trucks are specialized machines with unique operating characteristics, designed to perform a specific job. Their function and operation is not like a car or ordinary truck. They require specific instructions and rules for safe operation and maintenance.

Safe operation of lift trucks is of primary importance to CLARK. Our experience with lift truck accidents has shown that when accidents happen and people are killed or injured, the causes are:

- **Operator not properly trained**
- **Operator not experienced with lift truck operation**
- **Basic safety rules not followed**
- **Lift truck not maintained in safe operating condition**

For these reasons, CLARK wants you to know about the safe operation and correct maintenance of your lift truck.

This manual is designed to help you operate your lift truck safely. This manual shows and tells you about safety inspections and the important general safety rules and hazards of lift truck operation. It describes the special components and features of the truck and explains their functions. The correct operating procedures are shown and explained. Illustrations and important safety messages are included for clear understanding. A section on maintenance and lubrication is included for the lift truck mechanic.

The operator's manual is not a training manual. It is a guide to help trained and authorized operators safely operate their lift truck by emphasizing and illustrating the correct procedures. However, it cannot cover every possible situation that may result in an accident. You must watch for hazards in your work areas and avoid or correct them. It is important that you know and understand the information in this manual and that you know and follow your company safety rules! Be sure that your equipment is maintained in a safe condition. Do not operate a damaged or malfunctioning truck. Practice safe operation every time you use your lift truck. Let's join together to set high standards in safety.

Remember, before you start operating this lift truck, be sure you understand all driving procedures. It is your responsibility, and it is important to you and your family, to operate your lift truck safely and efficiently. Be aware that the Federal Occupational Safety and Health Act (OSHA) and state laws require that operators be completely trained in the safe operation of lift trucks; it is also an OSHA requirement that a machine inspection be performed before every shift. If you have not been trained (or need refresher training) operating or inspecting your lift truck, ask your supervisor.

CLARK lift trucks are built to take hard work, but not abuse. They are built to be dependable, but they are only as safe and efficient as the operator and the persons responsible for maintaining them. Do not make any repairs to this truck unless you have been trained in safe lift truck repair procedures and are authorized by your employer.



Contents of this Manual

A Message to CLARK Lift Truck Operators.....	ii
Introduction.....	vi
How to Use this Manual	viii
Safety Signs and Safety Messages	x
Section 1. General Safety Rules.....	1-1
Section 2. Operating Hazards.....	2-1
Section 3. Common Truck.....	3-1
Section 4. Operator Maintenance and Care	4-1
Section 5. Operating Procedures	5-1
Section 6. Planned Maintenance	6-1
Section 7. Towing	7-1
Section 8. Specifications	8-1

Introduction

CLARK welcomes you to the growing group of professionals who own, operate, and maintain CLARK lift trucks. We take pride in the long tradition of quality products and superior value the CLARK name represents. This manual familiarizes you with safety, operating, and maintenance information about your new lift truck. It has been specially prepared to help you use and maintain your CLARK lift truck in a safe and correct manner.

Your CLARK lift truck has been designed and built to be as safe and efficient as today's technology can make it. As manufactured, it meets all the applicable requirements of ANSI/ITSDF B56.1 Safety Standard for Powered Industrial Trucks. Each truck is also furnished with equipment to help you operate safely; for example, load back rest, parking brake and horn are standard equipment.

Safe, productive operation of a lift truck requires both skill and knowledge on the part of the operator. The operator must know, understand, and practice the safety rules and safe driving and load handling techniques described in this manual. To develop the skill required, the operator must become familiar with the construction and features of the lift truck and how they function. The operator must understand its capabilities and limitations, and see that it is kept in a safe condition.

Routine Servicing and Maintenance

Regular maintenance and care of your lift truck is not only important for economy and utilization reasons; it is essential for your safety. A faulty lift truck is a potential source of danger to the operator, and to other personnel working near it. As with all quality equipment, keep your lift truck in good operating condition by following the recommended schedule of maintenance.

Operator Daily Inspection — Safety and Operating Checks

A lift truck should always be examined by the operator, before driving, to be sure it is safe to operate. The importance of this procedure is emphasized in this manual with a brief illustrated review and later with more detailed instructions. CLARK dealers can supply copies of a helpful “Drivers Daily Checklist.”

Planned Maintenance

In addition to the daily operator inspection, CLARK recommends that a planned maintenance and safety inspection program (PM) be performed by a trained and authorized mechanic on a regular basis. The PM will provide an opportunity to make a thorough inspection of the safety and operating condition of your lift truck. Necessary adjustments and repairs can be done during the PM, which will increase the life of components and reduce unscheduled downtime and increase safety. The PM can be scheduled to meet your particular application and lift truck usage.

The procedures for a periodic planned maintenance program that covers inspections, operational checks, cleaning, lubrication, and minor adjustments are outlined in this manual. Your CLARK dealer is prepared to help you with a Planned Maintenance Program by trained service personnel who know your lift truck and can keep it operating safely and efficiently.

How to Use this Manual

This manual is a digest of essential information about the safe operation, the features and functions, and explains how to maintain your lift truck. This manual is organized into eight major parts:

Section 1, General Safety Rules, reviews and illustrates accepted practices for safe operation of a lift truck.

Section 2, Operating Hazards, warns of conditions that could cause damage to the truck or injury to the operator or other personnel.

Section 3, Common Truck, describes the most common operating components, systems, controls, and other features of your truck and tells how they function.

Section 4, Operator Maintenance and Care, presents details on how to perform the operator's daily safety inspection and refuel the lift truck.

Section 5, Operating Procedures, discusses more specific instruction on the safe, efficient operation of your lift truck.

Section 6, Planned Maintenance, describes the PM program.

Section 7, Towing, Provides information regarding towing a disabled truck.

Section 8, Specifications, provides reference information and data on features, components, and maintenance items.

NOTICE: The descriptions and specifications included in this manual were in effect at the time of printing. CLARK Material Handling Company reserves the right to make improvements and changes in specifications or design, without notice and without incurring obligation. Please check with your authorized CLARK dealer for information on possible updates or revisions.

The examples, illustrations, and explanations in this manual should help you improve your skill and knowledge as a professional lift truck operator and take full advantage of the capabilities and safety features of your new lift truck.

The first Section of the manual is devoted to a review, with illustrations and brief messages, of general safety rules and the major operating hazards you can encounter while operating a lift truck.

Next, you will find descriptions of the components of your specific lift truck model and how the instruments, gauge, and controls operate. Then, you will find a discussion of safe and efficient operating procedures, followed by instructions on how to tow a disabled lift truck. The later sections of the manual are devoted to maintenance and truck specifications.

Take time to carefully read the “Know Your Truck” section. By acquiring a good basic understanding of your truck's features, and how they function, you are better prepared to operate it both efficiently and safely.

In “Planned Maintenance,” you will find essential information for correct servicing and periodic maintenance of your truck, including charts with recommended maintenance intervals and component capacities. Carefully follow these instructions and procedures.

Each major Section has its own table of contents, so that you can find the various topics more easily. If you cannot find a topic in the table of contents, check the index at the back of the manual.

We urge you to first carefully read the manual from cover to cover. Take time to read and understand the information on general safety rules and operating hazards. Acquaint yourself with the various procedures in this manual. Understand how BDI gauge, indicator lights, and control functions. Please contact your authorized CLARK dealer for the answers to any questions you may have about your lift truck's features, operation, or manuals.

Operate your lift truck safely; careful driving is your responsibility. Drive defensively and think about the safety of people who are working nearby. Know your truck's capabilities and limitations. Follow all instructions in this manual, including all IMPORTANT, CAUTION, WARNING, and DANGER messages to avoid damage to your lift truck or the possibility of any harm to yourself or others.

This manual is intended to be a permanently attached part of your lift truck. Keep it on the truck as a ready reference for anyone who may drive or service it. If the truck you operate is not equipped with a manual, ask your supervisor to obtain one and have it attached to the truck. And, remember, your CLARK dealer is pleased to answer any questions about the operation and maintenance of your lift truck and will provide you with additional information should you require it.

Safety Signs and Safety Messages

Improper operation can cause accidents. Don't take chances with incorrect or damaged equipment. **Read** and **understand** the procedures for safe driving and maintenance outlined in this manual. Don't hesitate to ask for help. **Stay alert!** Follow safety rules, regulations, and procedures. Avoid accidents by recognizing dangerous procedures or situations before they occur. **Drive and work safely** and follow the safety signs and their messages on the truck and in this manual.

Safety signs and messages are placed in this manual and on the truck to provide instructions and identify specific areas where potential hazards exist and special precautions should be taken. Know and understand the meaning of these instructions, signs, and messages. Damage to the truck, death, or serious injury to you or other persons may result if these messages are not followed. If warning decals are damaged, they must be replaced. Contact your CLARK dealer for replacements.

NOTICE

This message is used when special information, instructions or identification are required relating to procedures, equipment, tools, pressures, capacities and other special data.

IMPORTANT

This message is used when special precautions should be taken to ensure a correct action or to avoid damage to or malfunction of the truck or a component.



CAUTION

Indicates a potentially hazardous situation which, if not avoided, may result in minor or moderate injury. It may also be used to alert against unsafe practices.



WARNING

Indicates a potentially hazardous situation which, if not avoided, could result in death or serious injury.



DANGER

Indicates an imminently hazardous situation which, if not avoided, will result in death or injury.


General Safety Rules

Contents

Daily Inspection	1.2
Do's and Don'ts.....	1.3
No Riders.....	1.4
Pedestrians	1.4
Fork Safety	1.5
Pinch Points	1.6
Travel	1.7
Tip Over	1.8
Surface and Capacity	1.9
Parking.....	1.10

General Safety Rules

Daily Inspection



Operator's Daily Checklist

Check each item before start of each shift Date: _____

Check one: Gas/LPG/Diesel Truck Electric Sit-down Electric Stand-up Electric Pallet

Truck Serial Number: _____ Operator: _____ Supervisor's OK: _____

Hour meter reading: _____

Check each of the following items before the start of each shift. Let your supervisor and/or maintenance department know of any problem.
DO NOT OPERATE A FAULTY TRUCK. Your safety is at risk.
After checking, mark each item accordingly. Explain below as necessary.

Check boxes as follows: OK NG; needs attention or repair. Circle problem and explain below.

OK	NG	Visual Checks	OK	NG	Visual Checks
		Tires/Wheels: wear, damage, nuts tight			Engine: runs rough, noisy, leaks
		Head/Tail/Work Lights: damage, mounting, operation			Steering: loose/binding, leaks, operation
		Gauges/Instruments: damage, operation			Service Brake: linkage loose/binding, stops OK, grab
		Operator Restraint: damage, mounting, operation, oily, dirty			Parking Brake: loose/binding, operational, adjustment
		Warning Decals/Operator's Manual: missing, not readable			Seat Brake (if equipped): loose/binding, operational, adjustment
		Data Plate: not readable, missing			Horn: Operation
		Overhead Guard: bent, cracked, loose, missing			Backup Alarm (if equipped): mounting, operation
		Load Back Rest: bent, cracked, loose, missing			Warning Lights (if equipped): mounting, operation
		Forks: bent, worn, stops OK			Lift/Lower: loose/binding, excessive drift, leaks
		Engine Oil: level, dirty, leaks			Tilt: loose/binding, excessive drift, "chatters," leaks
		Hydraulic Oil: level, dirty, leaks			Attachments: mounting, damaged, operation, leaks
		Radiator: level, dirty, leaks			Battery Test (electric trucks only): indicator in green while holding full forward tilt
		Fuel: level, leaks			Control Levers: loose/binding, freely return to neutral
		Battery: connections loose, charge, electrolyte low			Directional Control: loose/binding, find neutral OK
		Covers/Sheet metal: damaged, missing			
		Brakes: linkage, reservoir fluid level, leaks debris on floor			

Explanation of problems marked above:

At the beginning of each shift, inspect your truck and fill out a daily inspection sheet.

Check for damage and maintenance problems.

Have repairs made before you operate the truck.



DO NOT MAKE REPAIRS YOURSELF. Lift truck mechanics are trained professionals. They know how to make repairs safely. (See Section 4)

Do's and Don'ts



OM0001

Don't mix drugs or alcohol with your job.

Do watch for pedestrians.



OM0002



OM0003

Don't block safety or emergency equipment.

Do wear safety equipment when required.



OM0004



OM0005

Don't smoke in "NO SMOKING" areas or when refueling.

General Safety Rules

No Riders



WARNING

Always walk the truck. Never attempt to ride or allow passengers.

Pedestrians



IMPORTANT

- Watch where you are going.
- Look in the direction of travel.
- Pedestrians may use the same roadway you do.
- Sound your horn at all intersections or blind spots.
- Watch for people in your work area even if your truck has warning lights or alarms. People may not watch for you.
- Make people stand back, even when you are parked.

Fork Safety

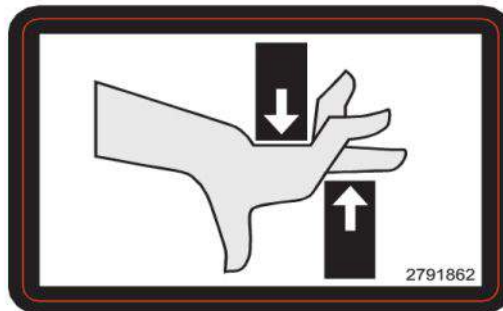


⚠ DANGER



General Safety Rules

Pinch Points



⚠ WARNING

Keep hands, feet and legs out of the upright.



⚠ WARNING

Don't use the upright as a ladder.

⚠ CAUTION

Never try to repair the upright, carriage, chain, or attachment yourself! Always get a trained mechanic.

Travel

CAUTION

The WSRX30 Walkie/Stacker/Reach counterbalanced lift truck is designed for smooth level surfaces and is not recommended for ramps or inclines.

- Never lift or lower the load when the truck is in motion.
- Travel with the load near the floor/ground whenever possible.
- Never lift or lower the load when the truck is in motion.
- When handling bulky loads that restrict your vision operate your truck in reverse to improve visibility.
- Unstable loads are a hazard to you and to your fellow workers.
- Always make certain that the load is well stacked and evenly positioned across both forks.
- Never attempt to lift a load with only one fork.

General Safety Rules

Tip-over

Lateral Tip-over

- Lateral tip-over can occur with a combination of travel speed and sharpness of turn. This combination may exceed the stability of the truck. This condition is even more likely with an unloaded truck.
- While traveling with the load or upright raised, lateral tip-over can occur while turning and/or braking when in reverse or accelerating and turning while traveling forward.
- Lateral tip-over can occur loaded or unloaded by turning on an incline or ramp.

Longitudinal Tip-over

- Longitudinal tip-over can occur with a combination of overloading and load elevated also with capacity load and elevated. Traveling with this combination may exceed the stability of the truck. This condition is even more likely when braking in forward travel or accelerating rearward.

Lateral and longitudinal tip-over can occur if the truck is driven over objects on the floor or ground, off the edge of improved surfaces, or into potholes in the road surface, or by running into overhead objects or collisions.

An off dock type of tip-over can occur if the truck is steered too close to the dock edge, driven off the edge of the dock or ramp, or if the highway truck or trailer rolls away from the dock or is driven away during loading.

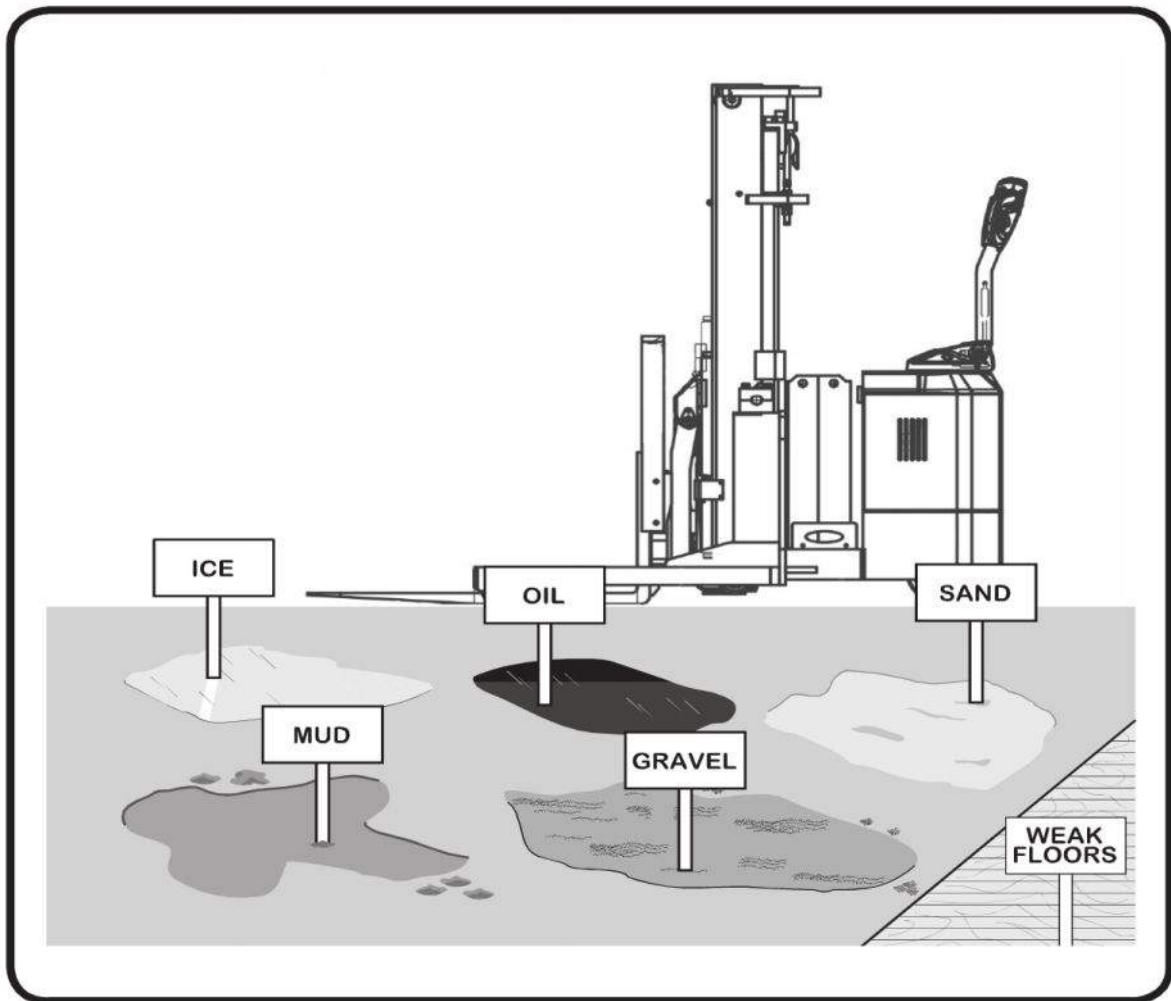
WARNING

The conditions listed above can be further aggravated by overloading, or off center loads.

DANGER

Lift truck tip-over can cause serious injury or death if the operator is trapped between the truck and the ground.

Surface and Capacity



Avoid these conditions. They can cause a truck to tip over or lose traction for braking or driving.

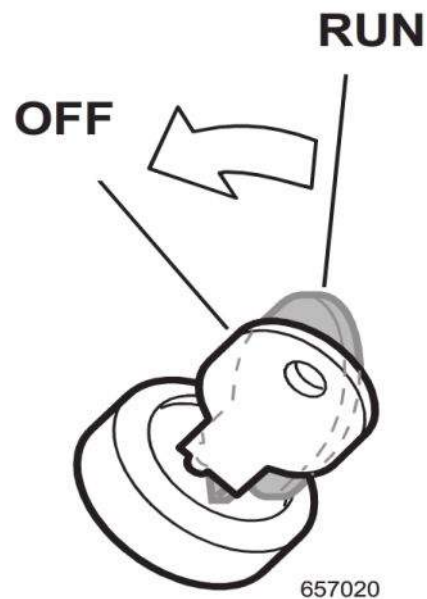
WARNING

Know the weight of your truck and load. Especially when using elevators. Know the capacity of the elevator you intend to use. Do not overload.

General Safety Rules

Parking

- Park only in authorized locations.
- Never park on a grade.
- Always come to a complete stop.
- Be sure travel control is in NEUTRAL.
- Lower forks fully to floor.
- Place control handle in full turn and raise handle to "UP" position to apply brake.
- Turn key to OFF position.
- Block drive wheel to prevent accidental roll.
- Turn key in to proper authority.



Operating Hazards

Contents

Loose Loads.....	2.2
Long and Wide Loads	2.3
Rear Swing	2.3
Low Overhead Clearance.....	2.4
Fast Turns and High Loads.....	2.4
Right-Angle Stacking	2.5
Chain Slack	2.6
Pallets and Skids	2.7

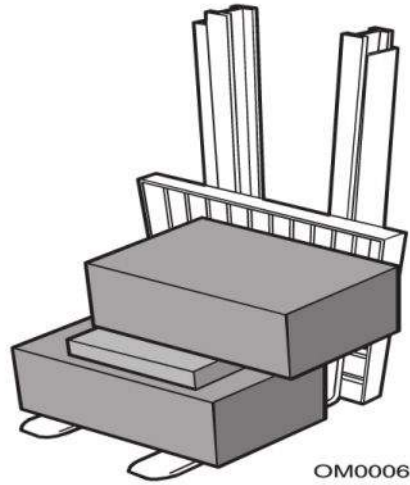
This Section shows some of the hazards that may cause you, or someone around you, to be killed or badly hurt. As the operator, you must look for other hazards. Get your supervisor to help you identify and avoid those hazards.

Loose Loads

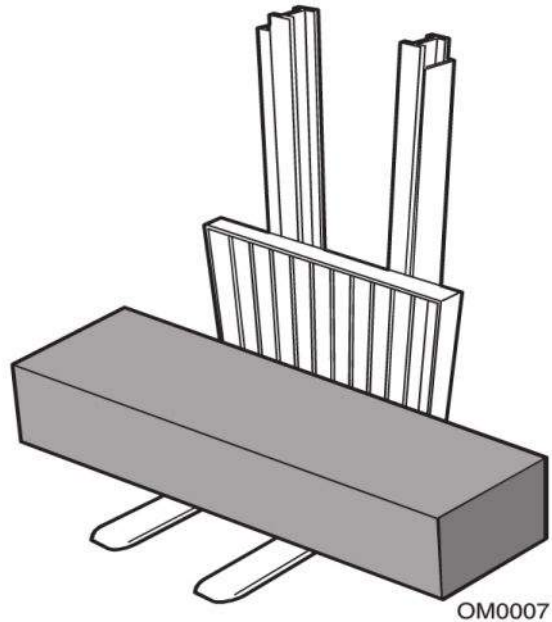
WARNING

Loose or unbalanced loads are dangerous. Observe these precautions.

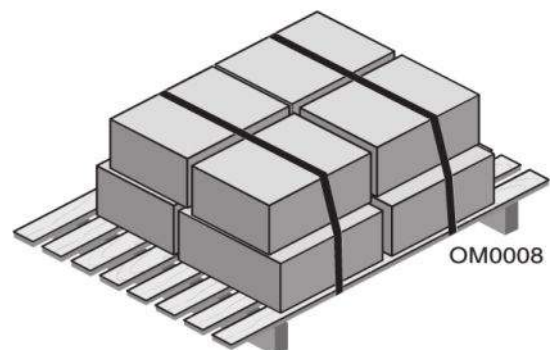
Never carry loose or uneven material.



Center wide loads.



Stack and band loose material.



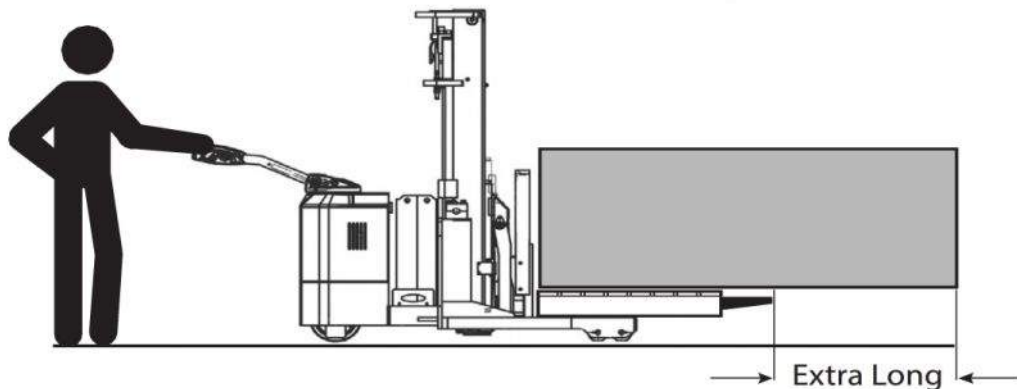
Long and Wide Loads / Rear Swing

⚠️ WARNING

With long or wide loads, you need more room. So slow down and watch your clearance.

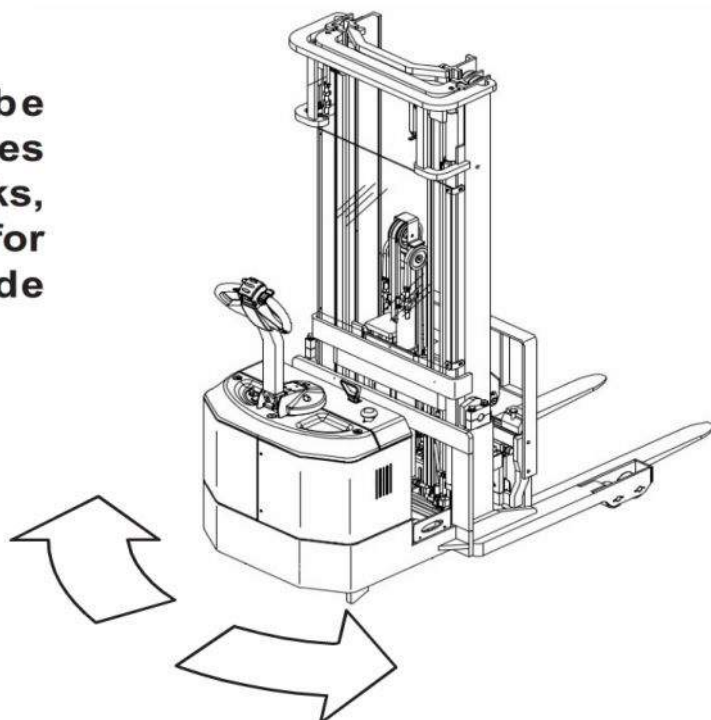
A long load reduces the capacity of the truck. Know and understand your truck load rating.

When extra-long material makes it necessary to travel with the load elevated, do so with extreme care and be alert to load end-swing when turning.



⚠️ WARNING

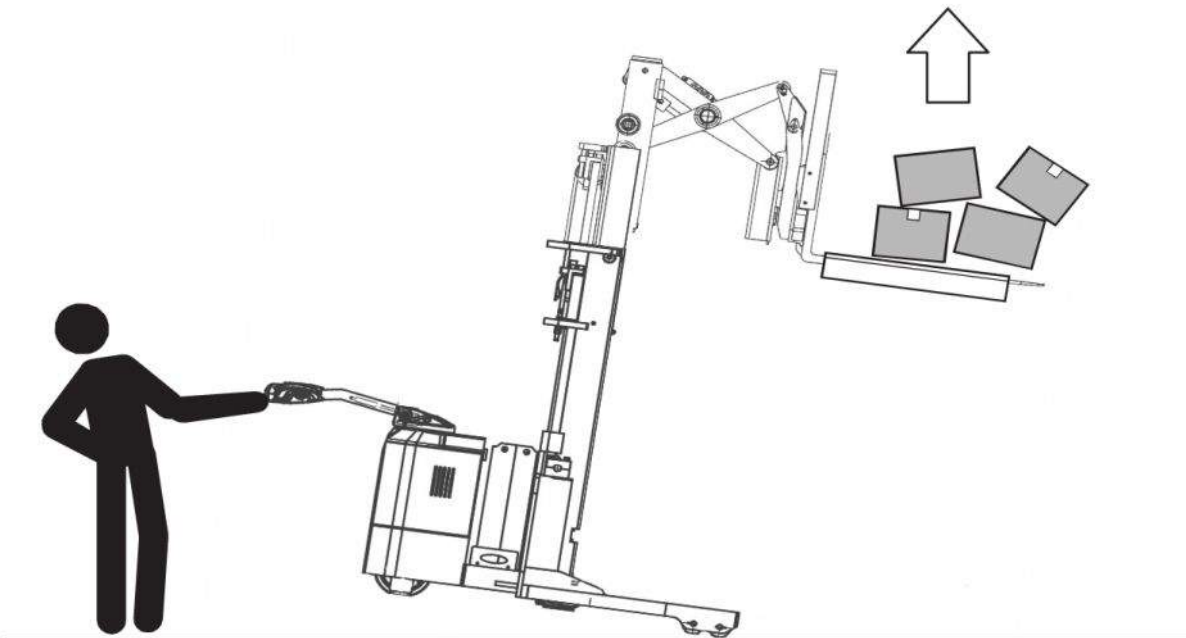
When turning, be sure the truck does not swing into racks, posts, etc. Watch for pedestrians beside the truck.



Low Overhead Clearance/Fast Turns and High Loads

⚠ WARNING

- Know the height of your truck, with and without a load.
- Check your clearances.
- Keep the load low as possible.
- Watch overhead clearance.
- Moving into overhead structures can tip a truck over, or spill a load.



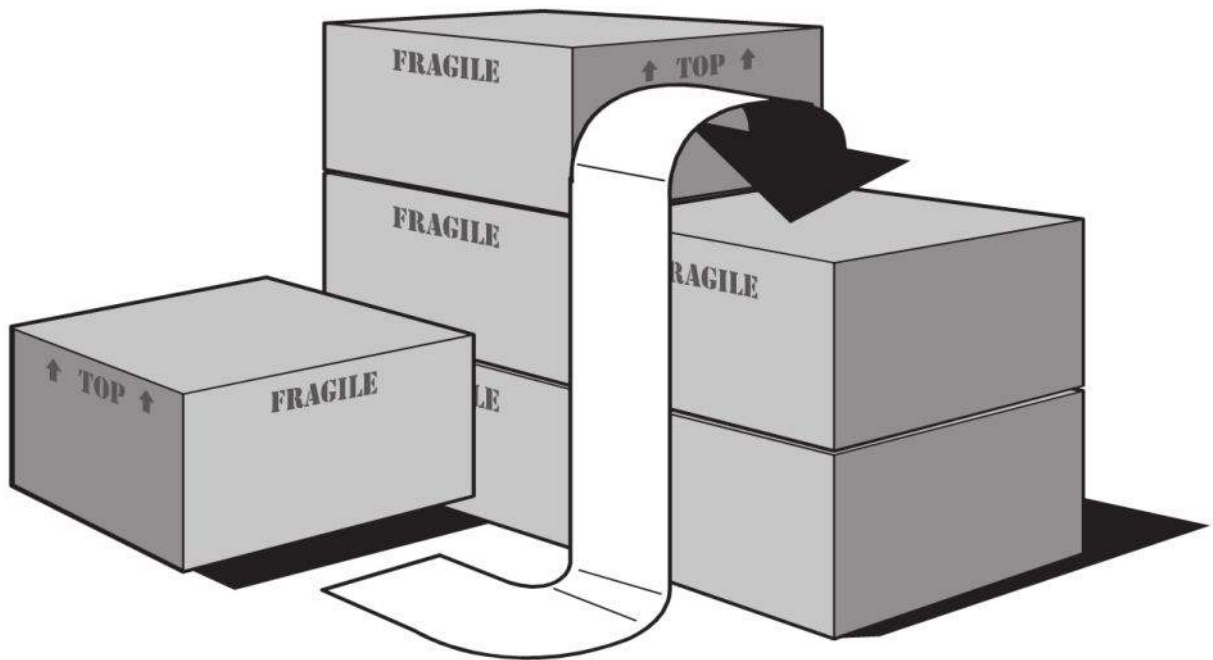
⚠ WARNING

Slow down before turning. The truck can tip over.

Turn too sharp with a raised load and your truck can tip even at slow speeds.

Travel with a load raised only when removing or depositing a load.

Right-Angle Stacking

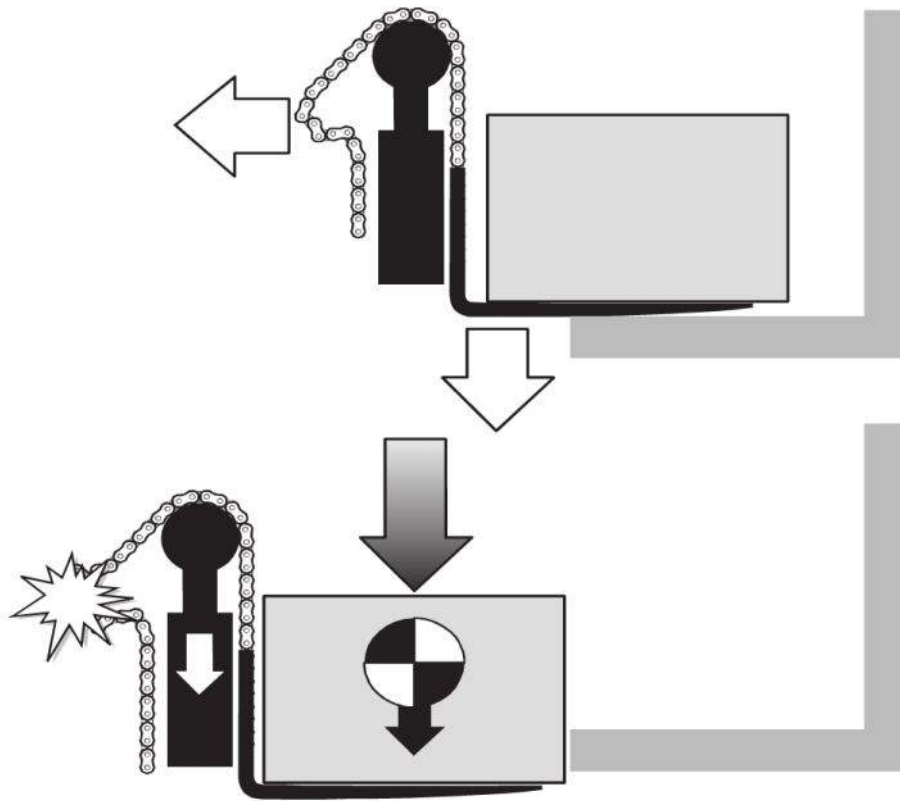


SLOWLY

⚠ WARNING

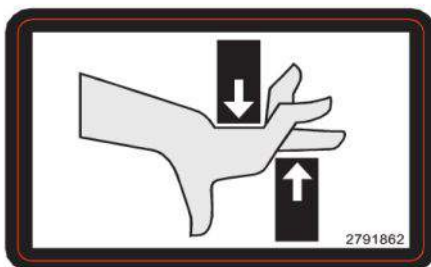
When right-angle stacking or moving with a raised load to clear low objects, avoid sharp turns and move slowly.

Chain Slack



⚠ WARNING

Slack chains mean rail or carriage hang-up. Raise the forks before you move, or broken chains and/or hoses can result.



⚠ WARNING

Keep hands, feet and legs out of the upright.

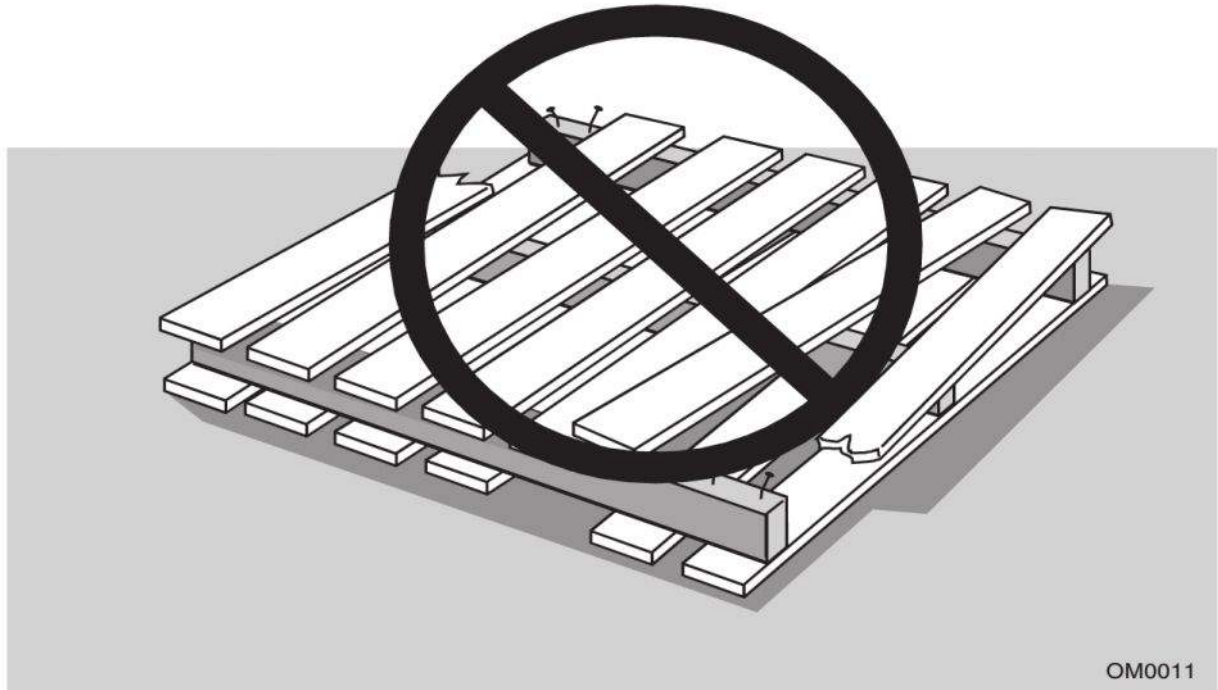
⚠ WARNING

Don't use the upright as a ladder.

⚠ CAUTION

Never try to repair the upright, carriage, chain, or attachment yourself! Always get a trained mechanic.

Pallets and Skids



WARNING

Do not move or store materials on damaged pallets or skids. Items can fall through them causing severe injury or death!

Be sure the pallet or skid you are using is in good condition and does not have defective or missing components and fasteners.

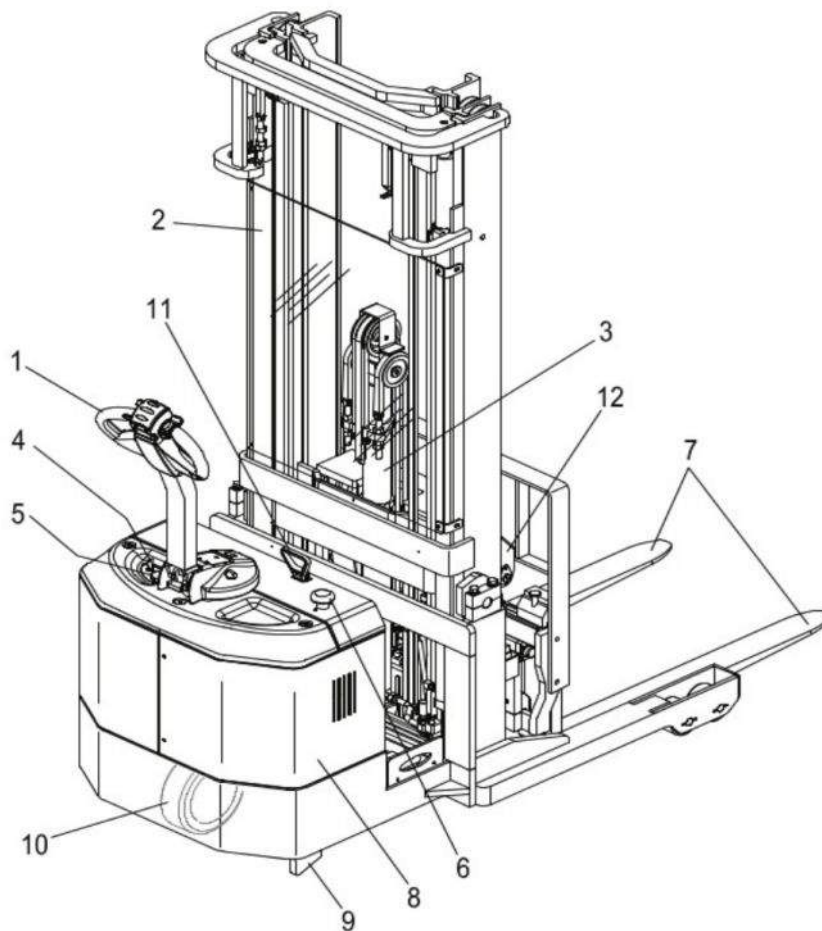
Common Truck

Contents

Truck Description.....	3.2
Operator Controls	3.3
Battery Discharge Indicator	3.4
Nameplate	3.5
Warning Decals	3.6

Common Truck

Truck Model Description



1. Control Handle (Steering, Braking, Lift/Lower, etc.)
2. Windshield
3. Lift Cylinder
4. Key Switch
5. Battery Discharge Indicator
6. Battery Disconnect
7. Forks
8. Cover
9. Stabilizers
10. Drive Wheel
11. Battery Plug
12. Reach Assembly

Common Truck

Operator Controls

Key/Start Switch

- Connects the battery with all truck operating systems (drive, lift, and steer electrical circuits) including the horn.
- Connects battery to the diagnostic display.

The key switch must always be turned to the **ON** position to operate the truck. When the key is in the vertical **OFF** position, instruments, drive and pump motor electrical circuits are disconnected (shut-off), and the key can be removed. The horn will not operate if the key switch is turned off.

Control Handle

- Controls travel direction and speed, lift, lower, tilt, reach, side-shift, horn, braking and steering.
- Twist grip or butterfly type speed control for left or right hand operation.
- Up or down brake application.
- Safety reversing switch on end of control handle.
- 180° rotation for maneuverability.
- Offset steering provides greater visibility for the operator.

Drive Unit

- 24-Volt AC drive motor for increased efficiency and duty cycles.

Brakes

- Electronic magnetic parking brake provides safe and secure holding power.

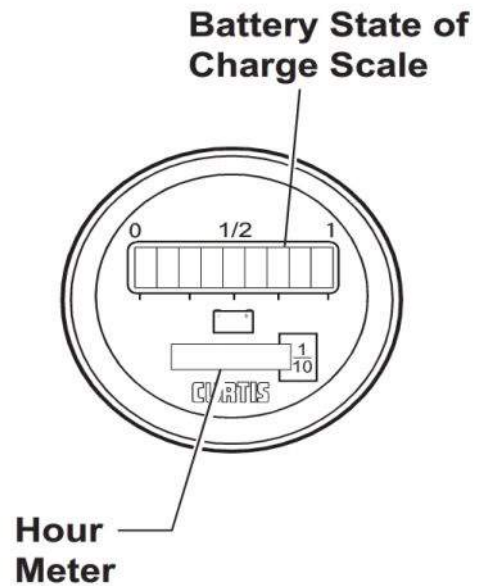
Common Truck

Battery Discharge Indicator

- 1** Fully Charged Battery
- 1/2** 50% Charged Battery
- 0** Fully Discharged Battery

The battery indicator shows the actual charge level of the trucks battery. The battery discharge indicator (BDI) is used to indicate the degree the battery has been drained of charge. The BDI is to be read when the unit is at rest with the key switch "ON" and with no motor running.

The hourmeter displays the time the drive motor and/or the pump motors are operating.

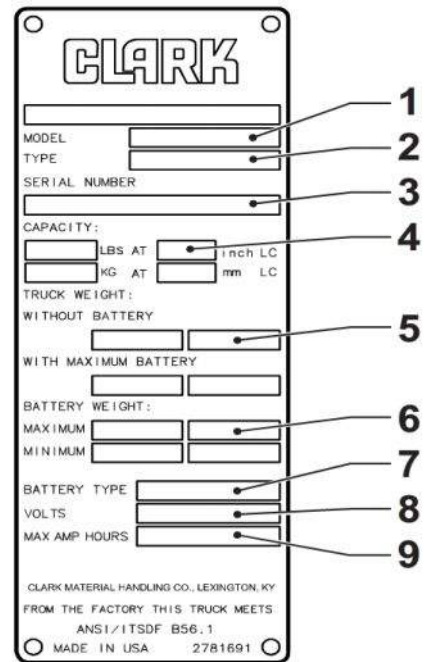


Common Truck

Nameplate

Know the Data on the Nameplate

1. Truck registered name.
2. Type of construction. The code signifies the UL type of protection. Check with proper authority before entering areas where flammable or explosive material may be present.
3. Truck serial number.
4. Capacity, data.
5. Truck weight, less load.
6. Battery weight.
7. Battery type.
8. Battery voltage
9. Battery ampere-hour rating.



CAUTION

When attachments are added or if the truck is modified, the capacity of the truck may be affected. Contact your authorized Clark dealer for a new nameplate showing the revised capacity.

IMPORTANT

OSHA requires prior written approval from the manufacturer before any modifications affecting capacity or safety may be made.

Common Truck

Warning Decals

IMPORTANT

Safety and warning decals are placed in conspicuous locations on the truck to remind you of essential procedures or to prevent you from making an error that could damage the truck or possibly cause personal injury. You should know, understand, and follow these instructions. Safety and warning decals should be replaced immediately if missing or defaced (damaged or illegible). Refer to your Service Manual for location of all decals.

Operator Warning Decal

The operator's warning decal describes basic instructions for safe operation of a lift truck. Read and understand these instructions and the other safety messages in this manual and on the lift truck.



- Do not operate this motorized hand truck unless you are trained and authorized. Read and understand the operator's manual before starting truck.
- Do not operate damaged or faulty truck. Do not attempt repairs unless you are trained and authorized.
- Keep hands on designated grip and feet away from truck. Do not operate truck with wet or greasy hands or shoes.
- Enter confined areas with load first. Be very careful when operating in confined area to avoid being pinned.
- Avoid uneven or slippery surfaces and loose materials.
- Travel slowly and with caution.
- Do not load truck over capacity on nameplate. Do not handle shaky loads, be very careful when handling long, high and wide loads.
- Do not exceed floor weight limits.

Common Truck

Warning Decals

No Riding Decal

This safety decal is placed on the top cover to warn of the danger of injury by riding on the truck. Always walk with WSRX30 model truck.



No Passenger Decal

This safety decal is placed on the top cover to warn of the danger of injury by attempting to ride as a passenger.



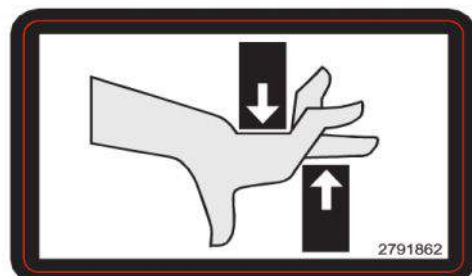
Battery Warning Decal

This decal is located on the right cover to give warning to disconnect the battery before servicing and to maintain correct battery polarity.



Upright Warning Decal

This safety decal is on the upright to warn of the danger of injury from movement between rails, chains, sheaves, fork carriage, and other parts of the upright assembly. Do not climb on or reach into the upright. Personal injury will result if any part of your body is put between moving parts of the upright.



Common Truck

Keep Away from Forks Decal

This safety decal is placed on the upright to warn of the danger of injury from forks when they are in the raised position. Do not ride on or stand under forks or attachments. The forks can fall and cause injury or death. Always make sure that the forks are in the fully lowered position when they are not being used to handle a load.



Operator Maintenance and Care

Contents

Daily Safety Inspection	4.2
Visual Checks	4.3
Functional Checks.....	4.4
Concluding Inspection.....	4.5



CAUTION

The Occupational Safety and Health Act (OSHA) requires that truck users examine their trucks before each shift to be sure they are in safe working order. Defects when found shall be immediately reported and corrected. The truck shall be tagged with a "Out Of Service" tag and taken out of service until it has been restored to safe operating condition.

Operator Maintenance and Care

Daily Safety Inspection

Before using a lift truck, **it is the operator's responsibility** to check its condition and be sure it is safe to operate.

Check for damage and maintenance problems; have repairs made before you operate the truck. Unusual noises or problems must be reported immediately to your supervisor or other designated authority.

Do not make repairs yourself unless you are trained in lift truck repair procedures and authorized by your employer. Have a qualified mechanic make repairs using genuine CLARK or CLARK-approved parts.

CAUTION

Do not operate a truck if it is in need of repair. If it is in an unsafe condition, remove the key and report the condition to the proper authority. If the truck becomes unsafe in any way while you are operating it, stop operating the truck, report the problem immediately, and have it corrected.

Lift trucks should be inspected every eight hours, or at the start of each shift. In general, the daily inspection should include the **visual** and **functional checks** described on the following pages.

As an aid in carrying out this inspection, CLARK has prepared a form called the "**Driver's Daily Checklist.**" We recommend that you use this form to make a daily record of your inspections and truck condition. You may obtain copies of this form from your CLARK dealer.

WARNING

Leaking hydraulic oil may be hot or under pressure. When inspecting a lift truck, wear safety glasses and do not check for leaks with bare hands.

Operator Maintenance and Care

Visual Checks

First, perform a visual inspection of the truck and its major components:

1. Walk around your lift truck and take note of obvious damage that may have been caused by operation during the last shift.
2. Check that all capacity, safety, and warning plates or decals are attached and legible.
3. Check that the battery is installed and secured in position correctly. Check battery connector for safe condition.
4. Check for hydraulic oil leaks and loose fittings



CAUTION

Do not use bare hands to check. Oil may be hot or under pressure.

5. Be sure that the load back rest and all other safety devices are in place, securely fastened and undamaged. Inspect for damaged or missing parts, corrosion, cracks, breaks etc.
6. Check all of the critical components that handle or carry the load.
7. Look the upright and lift chains over. Check for obvious wear and maintenance problems such as damaged or missing parts, leaks, slack or broken chains, rust, corrosion, bent parts, cracks, etc.
8. Carefully inspect the load forks for cracks, breaks, bending, twists, and wear. Be sure that the forks are correctly installed and locked in their proper position.
9. Inspect the wheels and tires for safe mounting, wear condition.

Operator Maintenance and Care

Functional Checks

Check the operation of the truck as follows:

NOTICE

Before performing these checks, familiarize yourself with the operating procedures in Section 5.

1. Test warning devices, horn, lights, and other safety equipment and accessories.
2. With the key switch ON, check the diagnostic display. The diagnostic display should show the charge remaining on the battery, the hour meter or a fault code. If the fault code is not an operator fault code (described in "Section 5, Operating Procedures—Using the Diagnostic Display"), call a service technician.
3. Be sure all controls and systems operate freely and return to neutral properly. Check the:
 - Brake system
 - Hydraulic controls
 - Control handle (Direction/Accelerator and Steering control)
 - Steering system

When the functional checks are completed:

1. Bring truck to complete stop.
2. Lower the lift mechanism fully.
3. Raise handle to the full "up" position (Brake will automatically apply when the handle is raised).
4. Turn the ignition switch to the OFF position.

If you are going to leave the truck unattended:

5. Remove the key.
6. Block the wheels, if the truck has the possibility of moving.
7. Unplug the battery.

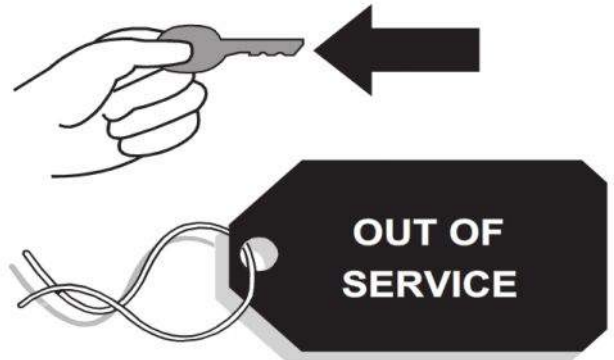
Operator Maintenance and Care

Concluding the Inspection

Make a record on the "Driver's Daily Checklist" of all the operating and truck problems that you find. Review the checklist to be sure it has been completed and turn it in to the person responsible for lift truck maintenance. Be sure any unusual noises or problems are investigated immediately.

Do not operate a lift truck that has a maintenance problem, or is not safe to operate.

Remove the key from the ignition switch and put an "Out of Service" tag on the truck.



Be sure to put this Operator's Manual back in the holder in the operator's compartment. Read the manual again if you are not sure of all lift truck operating procedures.

If all of the Daily Inspection checks were normal or satisfactory, the truck can be operated.

Operator Maintenance and Care

Operating Procedures

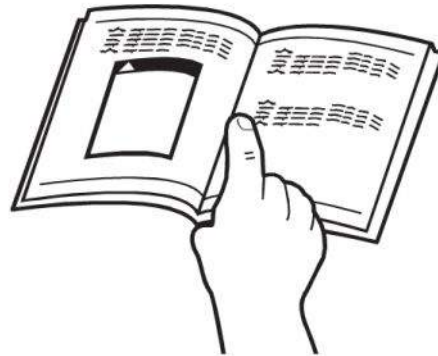
Contents

Before Operating the Truck	5.2
Starting from a Safe Condition	5.2
Travel Control.....	5.3
Emergency Reverse Switch.....	5.3
Lift and Lower Control	5.4
Horn	5.4
Braking	5.5
Load Handling.....	5.8
Stacking.....	5.12
After Operating the Truck	5.14

Operating Procedures

Before Operating the Truck

Be sure that you have read and understand the information in this *Operator's Manual* before operating the lift truck.



The Operator's Manual is located conveniently in the operators compartment.

WARNING

- **This equipment can be dangerous if not used properly. Safe operation is the responsibility of the operator.**
- **Do not start or operate the truck, or any of its functions or attachments, from any place other than the designated operator's position.**

CAUTION

- **Inspect your walkie/stacker/reach lift truck before operating at the start of the day or shift. Before putting your truck to use, check the operation of the controls and all systems.**

Starting from a Safe Condition

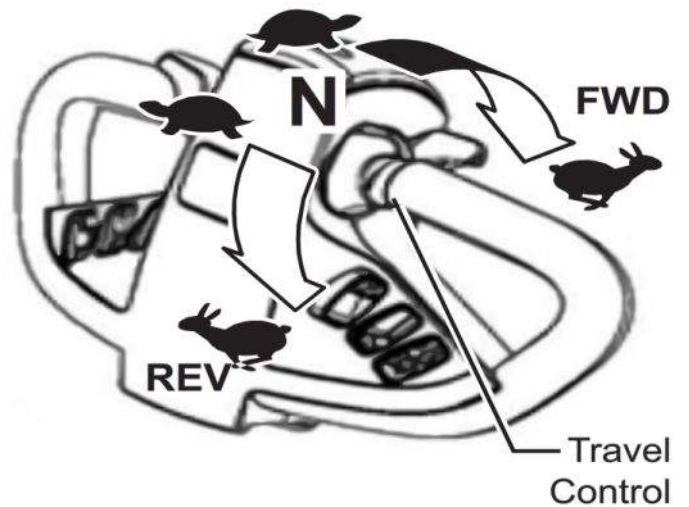
Always start from a safe condition. Before operating a walkie/stacker/reach truck, make sure:

- The emergency disconnect switch is in the "OFF" position.
- Unplug battery charger.
- Remove chocks from drive wheel.
- Lower control handle to a comfortable operating position.
- Align control handle in the intended path of forward or reverse travel.
- Turn key to the "ON" position.
- Check to make sure your path of travel is clear of people or obstructions.

Operating Procedures

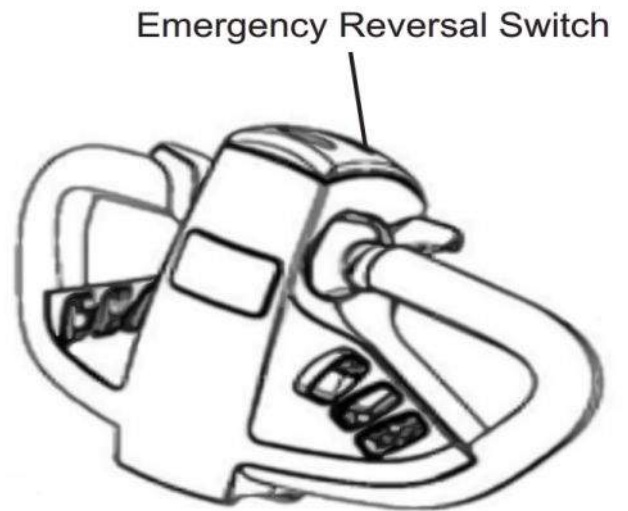
Forward and Reverse Travel Control

Rotate the direction/speed control as shown to travel forward. Rotate the direction/speed control in the opposite direction to travel in reverse (Reverse is defined as the direction in which the forks point). Truck speed increase the further you rotate the direction/speed control. When you release the control, it rotates back the "neutral" position.



Emergency Reverse Switch

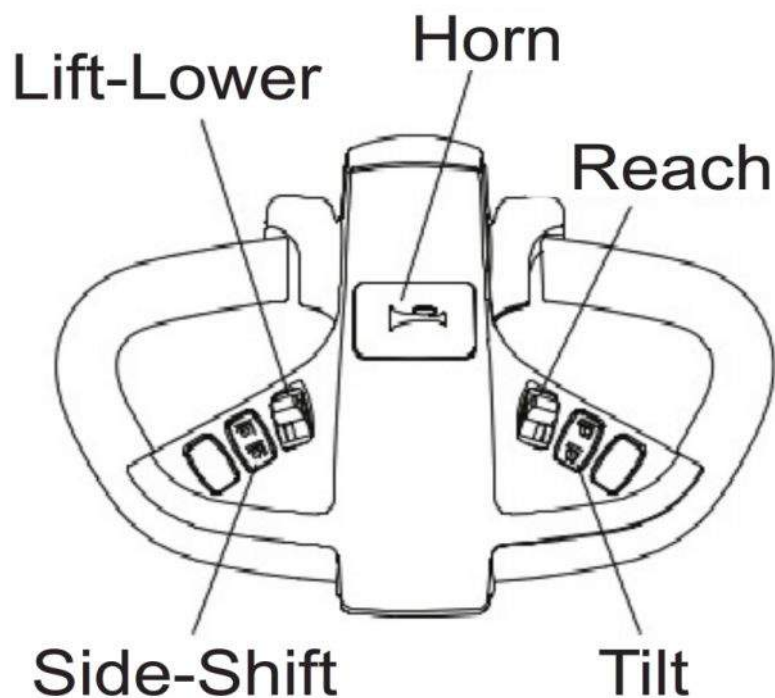
When the emergency reversal switch strikes an object or a person, or is held in by the operator, the truck automatically propels itself in the "reverse" direction (reverse is defined as the direction in which the forks point). When the switch no longer contacts the person or object, the switch pops up and the truck resumes normal control. Emergency reversal is disabled when the brake is "ON" or when the truck is in high speed mode.



CAUTION

Be careful not to activate *Emergency Reversal Switch* when pulling down the handle from the parked position.

Operating Procedures



Lift and Lower Control

- Raises and Lowers forks.

Tilt Control

- Tilts the forks forward and backwards

Side-Shift

- Shifts the forks laterally left and right.

Reach

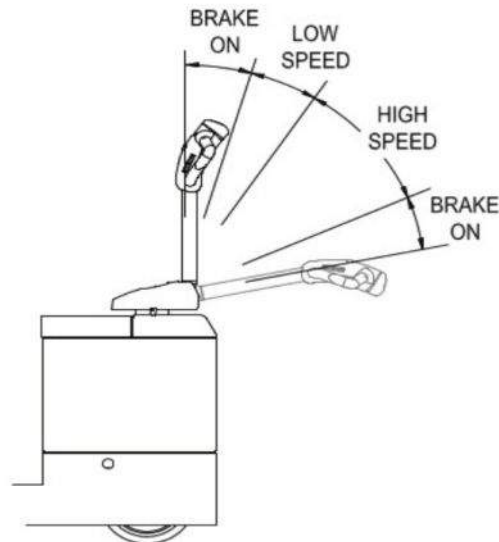
- Extends/retracts the pantograph allowing the forks to extend and retract.

Horn Button

- Press horn button to sound horn.

Operating Procedures

Braking



The stopping distance of the truck depends on the ground conditions. The driver must take this into account when operating the truck.

The driver must be looking ahead when traveling. If there is no hazard, brake moderately to avoid moving the load.

The brake is fully applied by lowering or raising the steering arm. (See Figure Above) All traction control power is shut off when the brake is engaged. When the steering arm is in the upright position, the brake acts as a parking brake. Deadman braking occurs when the handle is released and spring action raises steering arm to the upright position.

Plugging

This electrical braking function consists of rotating the speed control lever in the opposite direction of travel and then releasing it when the truck stops. Plugging is a convenient way to slow down the truck during normal operation. If the control is not released, the truck will accelerate in the opposite direction.

CAUTION

Be careful when plugging. Any sudden change in direction can cause the load to move or fall off forks.

Operating Procedures

Always be in full control of your walkie/stacker/reach lift truck...

Never operate a truck or its attachments if you are not in the designated operator's position.

Never operate a lift truck when your hands are wet or greasy.

Always pick the smoothest travel route for your truck. Avoid bumps, holes, slick spots, and loose objects or debris in your path that may cause the truck to swerve or tip. If these conditions are unavoidable, slow down and carefully drive past them. Slow down for wet or slippery surfaces.

Avoid any sudden movement. Start, stop, travel, steer, and brake smoothly.

Operate your walkie/stacker/reach lift truck under all conditions at a speed that will permit you to bring it to a safe stop.

WARNING

Travel slowly when turning. Use special care when traveling without a load because the risk of tipping over is greater with an empty truck, especially at high speed and when turning.

Travel with the forks tilted back and raised only enough to fully clear the ground or obstacles. When the carriage (load) is in an elevated position the stability of the truck is reduced.

IMPORTANT

Your speed will be restricted when the forks are raised to a preset height.

Do not elevate the load except during stacking.

CAUTION

Operate your walkie/stacker/reach lift truck only in areas that have been approved for your truck type designation. Certain areas contain flammable gases, liquids, dust, fibers, or other hazardous materials. Lift truck operations in these areas must have special approval. These areas must be designated to show the type of lift truck approval required for operation in the area. Be aware that changes to special equipment or poor maintenance can cause the lift truck to lose its special approval.